

Oracle® Database Vault

Administrator's Guide

Oracle9i Release 2 (9.2.0.8)

B32509-17

April 2014

Oracle Database Vault Administrator's Guide Oracle9i Release 2 (9.2.0.8)

B32509-17

Copyright © 2006, 2014, Oracle and/or its affiliates. All rights reserved.

Primary Author: Patricia Huey

Contributors: Priya Badnar, Tammy Bednar, Tom Best, Ji-won Byun, Ben Chang, Martin Cheng, Chi Ching Chui, Scott Gaetjen, Viksit Gaur, Janis Greenberg, Lijie Heng, Sumit Jeloka, Dominique Jeunot, Terri Keller, Peter Knaggs, Chon Lee, Frank Lee, Paul Needham, Deborah Owens, Yi Ouyang, Hozefa Palitanawala, Robert Pang, Rupa Parameswaran, Gayathri Sairamkrishnan, Vipin Samar, Javed Samuel, James Spiller, Ashwini Supur, Srividya Tata, Kamal Tbeileh, Sudheesh Varma, Peter Wahl, Rodney Ward, Daniel Wong, Aravind Yalamanchi

This software and related documentation are provided under a license agreement containing restrictions on use and disclosure and are protected by intellectual property laws. Except as expressly permitted in your license agreement or allowed by law, you may not use, copy, reproduce, translate, broadcast, modify, license, transmit, distribute, exhibit, perform, publish, or display any part, in any form, or by any means. Reverse engineering, disassembly, or decompilation of this software, unless required by law for interoperability, is prohibited.

The information contained herein is subject to change without notice and is not warranted to be error-free. If you find any errors, please report them to us in writing.

If this is software or related documentation that is delivered to the U.S. Government or anyone licensing it on behalf of the U.S. Government, the following notice is applicable:

U.S. GOVERNMENT END USERS: Oracle programs, including any operating system, integrated software, any programs installed on the hardware, and/or documentation, delivered to U.S. Government end users are "commercial computer software" pursuant to the applicable Federal Acquisition Regulation and agency-specific supplemental regulations. As such, use, duplication, disclosure, modification, and adaptation of the programs, including any operating system, integrated software, any programs installed on the hardware, and/or documentation, shall be subject to license terms and license restrictions applicable to the programs. No other rights are granted to the U.S. Government.

This software or hardware is developed for general use in a variety of information management applications. It is not developed or intended for use in any inherently dangerous applications, including applications that may create a risk of personal injury. If you use this software or hardware in dangerous applications, then you shall be responsible to take all appropriate fail-safe, backup, redundancy, and other measures to ensure its safe use. Oracle Corporation and its affiliates disclaim any liability for any damages caused by use of this software or hardware in dangerous applications.

Oracle and Java are registered trademarks of Oracle and/or its affiliates. Other names may be trademarks of their respective owners.

Intel and Intel Xeon are trademarks or registered trademarks of Intel Corporation. All SPARC trademarks are used under license and are trademarks or registered trademarks of SPARC International, Inc. AMD, Opteron, the AMD logo, and the AMD Opteron logo are trademarks or registered trademarks of Advanced Micro Devices. UNIX is a registered trademark of The Open Group.

This software or hardware and documentation may provide access to or information on content, products, and services from third parties. Oracle Corporation and its affiliates are not responsible for and expressly disclaim all warranties of any kind with respect to third-party content, products, and services. Oracle Corporation and its affiliates will not be responsible for any loss, costs, or damages incurred due to your access to or use of third-party content, products, or services.

Contents

Preface	xix
Audience	xix
Documentation Accessibility	xix
Related Documents	xix
Conventions	xx
1 Introducing Oracle Database Vault	
What Is Oracle Database Vault?	1-1
Components of Oracle Database Vault	1-2
Oracle Database Vault Access Control Components	1-2
Oracle Database Vault Administrator (DVA)	1-3
Oracle Database Vault Configuration Assistant (DVCA)	1-3
Oracle Database Vault DVSYS and DVF Schemas	1-3
Oracle Database Vault PL/SQL Interfaces and Packages	1-3
Oracle Database Vault and Oracle Label Security PL/SQL APIs	1-3
Oracle Database Vault Reporting and Monitoring Tools	1-4
How Oracle Database Vault Addresses Compliance Regulations	1-4
How Oracle Database Vault Addresses Insider Threats	1-5
How Oracle Database Vault Allows for Flexible Security Policies	1-5
How Oracle Database Vault Addresses Database Consolidation Concerns	1-6
2 What to Expect After You Install Oracle Database Vault	
Initialization and Password Parameter Settings That Change	2-1
How Oracle Database Vault Restricts User Authorizations	2-3
Using New Database Roles to Enforce Separation of Duties	2-3
Privileges That Are Revoked from Existing Users and Roles	2-4
Privileges That Are Prevented for Existing Users and Roles	2-5
How Oracle Database Vault Affects Oracle Database Auditing	2-5
AUD\$ Table Moved from SYS to the SYSTEM Schema	2-6
Modified AUDIT Statement Settings	2-6
Creating Oracle Virtual Private Database or Fine-Grained Auditing Policies	2-6
3 Getting Started with Oracle Database Vault	
Starting Oracle Database Vault Administrator	3-1
Accessing Oracle Database Vault Pages from Oracle Enterprise Manager	3-1

Accessing Oracle Database Vault Pages from Database Control.....	3-1
Accessing Oracle Database Vault Pages from Grid Control.....	3-2
Starting Oracle Database Vault Administrator.....	3-4
Quick Start Tutorial: Securing a Schema from DBA Access	3-6
About This Tutorial.....	3-6
Step 1: Adding the SYSTEM User to the Data Dictionary Realm	3-7
Step 2: Log On as SYSTEM to Access the HR Schema.....	3-7
Step 3: Create a Realm	3-8
Step 4: Secure the EMPLOYEES Table in the HR Schema	3-8
Step 5: Create an Authorization for the Realm	3-8
Step 6: Test the Realm.....	3-9
Step 7: Run a Report	3-10
Step 8: Remove the Components for This Tutorial	3-10

4 Configuring Realms

What Are Realms?	4-1
Default Realms	4-2
Creating a Realm	4-2
Editing a Realm	4-3
Creating Realm-Secured Objects	4-4
Defining Realm Authorization	4-5
Disabling and Enabling a Realm	4-7
Deleting a Realm	4-7
How Realms Work	4-8
How Authorizations Work in a Realm	4-9
Example of How Realms Work	4-10
How Realms Affect Other Oracle Database Vault Components	4-11
Guidelines for Designing Realms	4-11
How Realms Affect Performance	4-13
Related Reports and Data Dictionary Views	4-13

5 Configuring Rule Sets

What Are Rule Sets?	5-1
Default Rule Sets	5-2
Creating a Rule Set	5-2
Configuring or Editing a Rule Set	5-5
Creating a Rule to Add to a Rule Set	5-5
Creating a New Rule.....	5-5
Adding Existing Rules to a Rule Set.....	5-7
Deleting a Rule Set	5-7
How Rule Sets Work	5-8
How Oracle Database Vault Evaluates Rules	5-8
Nesting Rules Within a Rule Set	5-8
Creating Rules to Apply to Everyone Except One User.....	5-8
Tutorial: Creating an Email Alert for Security Violations	5-8
About This Tutorial.....	5-9
Step 1: Create an Email Security Alert PL/SQL Procedure	5-9

Step 2: Create an Oracle Database Vault Rule Set That Uses the Email Security Alert	5-10
Step 3: Test the Email Security Alert	5-11
Step 4: Remove the Components for This Tutorial	5-12
Tutorial: Configuring Two-Person Integrity, or Dual Key Security	5-13
About This Tutorial.....	5-13
Step 1: Create Users for This Tutorial	5-13
Step 2: Create a Function to Check if User patch_boss Is Logged In.....	5-14
Step 3: Create Rules, a Rule Set, and a Command Rule to Control the Users' Access.....	5-14
Step 4: Test the Users' Access.....	5-16
Step 5: Remove the Components for This Tutorial	5-16
Guidelines for Designing Rule Sets	5-17
How Rule Sets Affect Performance	5-18
Related Reports and Data Dictionary Views	5-18

6 Configuring Command Rules

What Are Command Rules?	6-1
Default Command Rules	6-2
SQL Statements That Can Be Protected by Command Rules	6-3
Creating and Editing a Command Rule	6-4
Deleting a Command Rule	6-5
How Command Rules Work	6-5
Tutorial: Using a Command Rule to Control Table Creations by a User	6-6
About This Tutorial.....	6-6
Step 1: Connect as User SCOTT and Create a Table	6-6
Step 2: Connect Using the DVOWNER or DV_ADMIN Role and Create a Command Rule	6-7
Step 3: Test the Command Rule	6-7
Step 4: Remove the Components for this Tutorial	6-8
Guidelines for Designing Command Rules	6-8
How Command Rules Affect Performance	6-9
Related Reports and Data Dictionary View	6-9

7 Configuring Factors

What Are Factors?	7-1
Default Factors	7-2
Creating a Factor	7-3
Editing a Factor	7-9
Adding an Identity to a Factor	7-10
About Factor Identities.....	7-10
Creating and Configuring a Factor Identity.....	7-10
Using Identity Mapping to Configure an Identity to Use Other Factors.....	7-12
Deleting a Factor	7-14
How Factors Work	7-14
How Factors Are Processed When a Session Is Established.....	7-14
How Factors Are Retrieved	7-15
How Factors Are Set	7-16
Tutorial: Preventing Ad Hoc Tool Access to the Database	7-16

About This Tutorial.....	7-17
Step 1: Enable the SCOTT User Account	7-17
Step 2: Create the Module Factor	7-17
Step 3: Create the Limit SQL*Plus Access Rule and Rule Set.....	7-18
Step 4: Create the CONNECT Command Rule	7-20
Step 5: Test the Ad Hoc Tool Access Restriction	7-20
Step 6: Remove the Components for This Tutorial	7-21
Tutorial: Restricting User Activities Based on Session Data.....	7-22
About This Tutorial.....	7-22
Step 1: Create an Administrative User	7-22
Step 2: Add Identities to the Domain Factor	7-23
Step 3: Map the Domain Factor Identities to the Client_IP Factor.....	7-23
Step 4: Create a Rule Set to Set the Hours and Select the Factor Identity	7-25
Step 5: Create a Command Rule That Uses the Rule Set.....	7-25
Step 6: Test the Factor Identity Settings	7-25
Step 7: Remove the Components for This Tutorial	7-27
Guidelines for Designing Factors	7-27
How Factors Affect Performance.....	7-28
Related Reports and Data Dictionary Views	7-29

8 Configuring Secure Application Roles for Oracle Database Vault

What Are Secure Application Roles in Oracle Database Vault?.....	8-1
Creating and Editing Secure Application Roles	8-2
Securing a Secure Application Role	8-3
Deleting a Secure Application Role	8-3
How Secure Application Roles Work.....	8-4
Tutorial: Granting Access with Database Vault Secure Application Roles	8-4
About This Tutorial.....	8-4
Step 1: Create Users for This Tutorial	8-4
Step 2: Enable the OE User Account.....	8-5
Step 3: Create the Rule Set and Its Rules	8-5
Step 4: Create the Database Vault Secure Application Role	8-6
Step 5: Grant the SELECT Privilege to the Secure Application Role.....	8-6
Step 6: Test the Database Vault Secure Application Role	8-6
Step 7: Remove the Components for This Tutorial	8-7
How Secure Application Roles Affect Performance	8-8
Related Reports and Data Dictionary View.....	8-8

9 Integrating Oracle Database Vault with Other Oracle Products

Integrating Oracle Database Vault with Enterprise User Security	9-1
Attaching Factors to an Oracle Virtual Private Database	9-2
Integrating Oracle Database Vault with Oracle Label Security.....	9-2
How Oracle Database Vault Is Integrated with Oracle Label Security	9-2
Requirements for Using Oracle Database Vault with Oracle Label Security	9-3
Using Oracle Database Vault Factors with Oracle Label Security Policies	9-3
Tutorial: Integrating Oracle Database Vault with Oracle Label Security	9-5
About This Tutorial	9-5

Step 1: Create Users for This Tutorial	9-5
Step 2: Create the Oracle Label Security Policy	9-6
Step 3: Create Oracle Database Vault Rules to Control the OLS Authorization	9-6
Step 4: Update the ALTER SYSTEM Command Rule to Use the Rule Set	9-7
Step 5: Test the Authorizations	9-7
Step 6: Remove the Components for This Tutorial.....	9-8
Related Reports and Data Dictionary Views.....	9-9

10 DBA Operations in an Oracle Database Vault Environment

Using Oracle Database Vault with Oracle Enterprise Manager Grid Control.....	10-1
Setting the Database Vault Administrator URL in Oracle Enterprise Manager	10-1
Propagating Oracle Database Vault Policies to Other Databases	10-2
Using Enterprise Manager Grid Control Alerts for Oracle Database Vault Policies	10-4
Using Oracle Database Vault-Specific Reports in Enterprise Manager Grid Control	10-5
Using Oracle Database Vault with Oracle Recovery Manager	10-5

11 Oracle Database Vault Objects

Oracle Database Vault Schemas.....	11-1
DVSYS Schema	11-1
DVF Schema.....	11-2
Oracle Database Vault Roles.....	11-2
About Oracle Database Vault Roles	11-2
Oracle Database Vault Owner Role, DV_OWNER	11-4
Oracle Database Vault Realm DBA Role, DV_REALM_OWNER	11-5
Oracle Database Vault Application Resource Owner Role, DV_REALM_RESOURCE.....	11-5
Oracle Database Vault Configuration Administrator Role, DV_ADMIN	11-6
Oracle Database Vault Account Manager Role, DV_ACCTMGR.....	11-6
Oracle Database Vault PUBLIC Role, DV_PUBLIC	11-7
Oracle Database Vault Security Analyst Role, DV_SECANALYST	11-8
Oracle Database Vault Accounts.....	11-8
Oracle Database Vault Data Dictionary Views	11-10
DBA_DV_CODE View	11-11
DBA_DV_COMMAND_RULE View	11-12
DBA_DV_FACTOR View	11-13
DBA_DV_FACTOR_LINK View	11-15
DBA_DV_FACTOR_TYPE View	11-16
DBA_DV_IDENTITY View.....	11-16
DBA_DV_IDENTITY_MAP View	11-17
DBA_DV_MAC_POLICY View	11-17
DBA_DV_MAC_POLICY_FACTOR View.....	11-18
DBA_DV_POLICY_LABEL View	11-19
DBA_DV_PUB_PRIVS View	11-19
DBA_DV_REALM View	11-20
DBA_DV_REALM_AUTH View	11-20
DBA_DV_REALM_OBJECT View.....	11-21
DBA_DV_ROLE View	11-21

DBA_DV_RULE View	11-22
DBA_DV_RULE_SET View	11-22
DBA_DV_RULE_SET_RULE View	11-24
DBA_DV_USER_PRIVS View	11-24
DBA_DV_USER_PRIVS_ALL View	11-25

12 Using the DBMS_MACADM Package

About the DBMS_MACADM Package	12-1
Realm Procedures Within DBMS_MACADM	12-1
ADD_AUTH_TO_REALM Procedure	12-2
ADD_OBJECT_TO_REALM Procedure	12-3
CREATE_REALM Procedure	12-4
DELETE_AUTH_FROM_REALM Procedure	12-5
DELETE_OBJECT_FROM_REALM Procedure	12-6
DELETE_REALM Procedure	12-7
DELETE_REALM_CASCADE Procedure	12-7
RENAME_REALM Procedure	12-8
UPDATE_REALM Procedure	12-8
UPDATE_REALM_AUTH Procedure	12-9
Rule Set Procedures Within DBMS_MACADM	12-10
ADD_RULE_TO_RULE_SET Procedure	12-11
CREATE_RULE Procedure	12-12
CREATE_RULE_SET Procedure	12-13
DELETE_RULE Procedure	12-15
DELETE_RULE_FROM_RULE_SET Procedure	12-15
DELETE_RULE_SET Procedure	12-16
RENAME_RULE Procedure	12-16
RENAME_RULE_SET Procedure	12-17
SYNC_RULES Procedure	12-18
UPDATE_RULE Procedure	12-18
UPDATE_RULE_SET Procedure	12-19
Command Rule Procedures Within DBMS_MACADM	12-20
CREATE_COMMAND_RULE Procedure	12-21
DELETE_COMMAND_RULE Procedure	12-22
UPDATE_COMMAND_RULE Procedure	12-22
Factor Procedures and Functions Within DBMS_MACADM	12-23
ADD_FACTOR_LINK Procedure	12-25
ADD_POLICY_FACTOR Procedure	12-25
CHANGE_IDENTITY_FACTOR Procedure	12-26
CHANGE_IDENTITY_VALUE Procedure	12-27
CREATE_DOMAIN_IDENTITY Procedure	12-27
CREATE_FACTOR Procedure	12-28
CREATE_FACTOR_TYPE Procedure	12-30
CREATE_IDENTITY Procedure	12-31
CREATE_IDENTITY_MAP Procedure	12-32
DELETE_FACTOR Procedure	12-33
DELETE_FACTOR_LINK Procedure	12-33

DELETE_FACTOR_TYPE Procedure.....	12-34
DELETE_IDENTITY Procedure	12-34
DELETE_IDENTITY_MAP Procedure.....	12-34
DROP_DOMAIN_IDENTITY Procedure	12-35
GET_INSTANCE_INFO Function	12-36
GET_SESSION_INFO Function	12-37
RENAME_FACTOR Procedure	12-37
RENAME_FACTOR_TYPE Procedure	12-38
UPDATE_FACTOR Procedure	12-38
UPDATE_FACTOR_TYPE Procedure	12-40
UPDATE_IDENTITY Procedure.....	12-41
Secure Application Role Procedures Within DBMS_MACADM	12-42
CREATE_ROLE Procedure.....	12-42
DELETE_ROLE Procedure	12-43
RENAME_ROLE Procedure.....	12-43
UPDATE_ROLE Procedure	12-44
Oracle Label Security Policy Procedures Within DBMS_MACADM	12-44
CREATE_MAC_POLICY Procedure.....	12-45
CREATE_POLICY_LABEL Procedure.....	12-46
DELETE_MAC_POLICY_CASCADE Procedure	12-47
DELETE_POLICY_FACTOR Procedure.....	12-48
DELETE_POLICY_LABEL Procedure	12-48
UPDATE_MAC_POLICY Procedure	12-49

13 Using the DBMS_MACSEC_ROLES Package

About the DBMS_MACSEC_ROLES Package.....	13-1
CAN_SET_ROLE Function.....	13-1
SET_ROLE Procedure.....	13-2

14 Using the DBMS_MACUTL Package

About the DBMS_MACUTL Package.....	14-1
DBMS_MACUTL Constants	14-1
DBMS_MACUTL Listing of Constants	14-1
Examples of Using the DBMS_MACUTL Constants	14-4
Procedures and Functions Within the DBMS_MACUTL Package.....	14-5
CHECK_DVSYSDML_ALLOWED Procedure	14-6
GET_CODE_VALUE Function	14-7
GET_SECOND Function	14-7
GET_MINUTE Function.....	14-8
GET_HOUR Function.....	14-9
GET_DAY Function	14-9
GET_MONTH Function	14-10
GET_YEAR Function	14-10
IS_ALPHA Function	14-11
IS_DIGIT Function	14-11
IS_DVSYSDOWNER Function	14-12

IS_OLS_INSTALLED Function	14-13
IS_OLS_INSTALLED_VARCHAR Function	14-13
USER_HAS_OBJECT_PRIVILEGE Function	14-13
USER_HAS_ROLE Function	14-14
USER_HAS_ROLE_VARCHAR Function.....	14-15
USER_HAS_SYSTEM_PRIVILEGE Function	14-16

15 Using the Oracle Database Vault PL/SQL Interfaces

Oracle Database Vault Run-Time PL/SQL Procedures and Functions	15-1
SET_FACTOR Procedure	15-2
GET_FACTOR Function.....	15-2
GET_TRUST_LEVEL Function.....	15-3
GET_TRUST_LEVEL_FOR_IDENTITY Function	15-3
ROLE_IS_ENABLED Function	15-4
GET_FACTOR_LABEL Function.....	15-5
Oracle Database Vault PL/SQL Factor Functions	15-5
F\$AUTHENTICATION_TYPE Function.....	15-7
F\$CLIENT_IP Function	15-7
F\$DATABASE_DOMAIN Function	15-8
F\$DATABASE_HOSTNAME Function	15-8
F\$DATABASE_INSTANCE Function.....	15-8
F\$DATABASE_IP Function	15-9
F\$DATABASE_NAME Function	15-9
F\$DOMAIN Function.....	15-9
F\$IDENTIFICATION_TYPE Function.....	15-10
F\$LANG Function.....	15-11
F\$LANGUAGE Function	15-11
F\$MACHINE Function.....	15-11
F\$NETWORK_PROTOCOL Function.....	15-12
F\$PROXY_ENTERPRISE_IDENTITY Function.....	15-12
F\$SESSION_USER Function.....	15-13
Oracle Database Vault PL/SQL Rule Functions	15-13
DV_SYSEVENT Function.....	15-14
DV_LOGIN_USER Function	15-14
DV_INSTANCE_NUM Function.....	15-14
DV_DATABASE_NAME Function	15-15
DV_DICT_OBJ_TYPE Function	15-15
DV_DICT_OBJ_OWNER Function.....	15-15
DV_DICT_OBJ_NAME Function.....	15-16
DV_SQL_TEXT Function	15-16
Oracle Database Vault PL/SQL Packages	15-17

16 Monitoring Oracle Database Vault

Security Violation Attempts	16-1
Database Configuration and Structural Changes	16-2
Security Policy Changes by Category	16-2
Security Policy Changes Detail	16-4

17 Oracle Database Vault Reports

Categories of Oracle Database Vault Reports	17-1
Who Can Run the Oracle Database Vault Reports?	17-1
How to Run Oracle Database Vault Reports	17-1
Generating Oracle Database Vault Reports	17-2
Oracle Database Vault Configuration Issues Reports.....	17-2
Command Rule Configuration Issues Report.....	17-3
Factor Configuration Issues Report.....	17-3
Factor Without Identities Report	17-3
Identity Configuration Issues Report.....	17-3
Realm Authorization Configuration Issues Report	17-3
Rule Set Configuration Issues Report	17-4
Secure Application Configuration Issues Report	17-4
Oracle Database Vault Auditing Reports	17-4
Realm Audit Report.....	17-4
Command Rule Audit Report.....	17-4
Factor Audit Report.....	17-4
Label Security Integration Audit Report.....	17-5
Core Database Vault Audit Trail Report	17-5
Secure Application Role Audit Report	17-5
Generating General Security Reports	17-5
Object Privilege Reports.....	17-5
Object Access By PUBLIC Report.....	17-6
Object Access Not By PUBLIC Report	17-6
Direct Object Privileges Report.....	17-6
Object Dependencies Report	17-6
Database Account System Privileges Reports.....	17-6
Direct System Privileges By Database Account Report.....	17-7
Direct and Indirect System Privileges By Database Account Report.....	17-7
Hierarchical System Privileges by Database Account Report.....	17-7
ANY System Privileges for Database Accounts Report	17-7
System Privileges By Privilege Report.....	17-7
Sensitive Objects Reports	17-7
Execute Privileges to Strong SYS Packages Report.....	17-7
Access to Sensitive Objects Report	17-8
Public Execute Privilege To SYS PL/SQL Procedures Report	17-8
Accounts with SYSDBA/SYSOPER Privilege Report	17-8
Privilege Management - Summary Reports	17-9
Privileges Distribution By Grantee Report.....	17-9
Privileges Distribution By Grantee, Owner Report	17-9
Privileges Distribution By Grantee, Owner, Privilege Report	17-9
Powerful Database Accounts and Roles Reports	17-9
WITH ADMIN Privilege Grants Report.....	17-10
Accounts With DBA Roles Report.....	17-10
Security Policy Exemption Report.....	17-10
BECOME USER Report	17-10
ALTER SYSTEM or ALTER SESSION Report	17-10

Password History Access Report.....	17-11
WITH GRANT Privileges Report	17-11
Roles/Accounts That Have a Given Role Report.....	17-11
Database Accounts With Catalog Roles Report	17-11
AUDIT Privileges Report.....	17-11
OS Security Vulnerability Privileges Report.....	17-11
Initialization Parameters and Profiles Reports	17-11
Security Related Database Parameters Report	17-11
Resource Profiles Report.....	17-12
System Resource Limits Report	17-12
Database Account Password Reports	17-12
Database Account Default Password Report.....	17-12
Database Account Status Report	17-12
Security Audit Report: Core Database Audit Report	17-12
Other Security Vulnerability Reports.....	17-12
Java Policy Grants Report	17-13
OS Directory Objects Report	17-13
Objects Dependent on Dynamic SQL Report	17-13
Unwrapped PL/SQL Package Bodies Report.....	17-13
Username/Password Tables Report	17-14
Tablespace Quotas Report	17-14
Non-Owner Object Trigger Report.....	17-14

A Auditing Oracle Database Vault

Oracle Database Vault Specific Audit Events	A-1
Oracle Database Vault Audit Events.....	A-1
Format of the Oracle Database Vault Audit Trail	A-2
Archiving and Purging the Oracle Database Vault Audit Trail	A-4
Oracle Database Audit Settings Created for Oracle Database Vault.....	A-5

B Disabling and Enabling Oracle Database Vault

When You Must Disable Oracle Database Vault.....	B-1
Checking if Oracle Database Vault Is Enabled or Disabled	B-2
Step 1: Disable Oracle Database Vault	B-2
Step 2: Perform the Required Tasks	B-3
Step 3: Enable Oracle Database Vault.....	B-3

C Oracle Database Vault Security Guidelines

Separation of Duty Guidelines.....	C-1
How Oracle Database Vault Handles Separation of Duty.....	C-1
Defining Separate Tasks in an Oracle Database Vault Environment	C-1
Creating a Separation of Duty Matrix	C-2
Identifying and Documenting the Tasks of Users Who Access the Database System.....	C-3
Managing Oracle Database Administrative Accounts.....	C-4
Using the SYSTEM User Account for General Administrative Uses	C-4
Using the SYSTEM Schema for Application Tables.....	C-4

Limiting the SYSDBA Privilege	C-4
Managing Root and Operating System Access.....	C-5
Accounts and Roles Trusted by Oracle Database Vault	C-5
Accounts and Roles That Should be Limited to Trusted Individuals	C-5
Managing Users with Root Access to the Operating System	C-6
Managing the Oracle Software Owner	C-6
Managing SYSDBA Access	C-6
Managing SYSOPER Access	C-6
Guidelines for Using Oracle Database Vault in a Production Environment	C-6
Secure Configuration Guidelines	C-7
Security Considerations for SYSDBA Operating System Authentication	C-7
Security Considerations for SYS Users Accessing Realm Objects	C-8
Security Considerations for the UTL_FILE Package.....	C-8
Security Considerations for the LogMiner Packages.....	C-8
Security Considerations for the ALTER SYSTEM and ALTER SESSION Privileges	C-8
Security Considerations for Java Stored Procedures and Oracle Database Vault.....	C-9
Limiting Access to Java Stored Procedures.....	C-9
Securing Java Stored Procedures	C-9
Step 1: Identify the Java Stored Procedures Created with Definer’s Rights	C-9
Step 2: Find the Java Stored Procedures That Access Realm-Protected Objects	C-10
Step 3: Create a Package to Wrap Procedures Accessing Realm-Protected Objects	C-10
Step 4: Identify the Java Stored Procedures Created with Invoker’s Rights	C-10
Step 5: Block the Execution of Java Stored Procedures	C-11
Step 6: Verify Oracle Database Vault Protection for Java Stored Procedures.....	C-11
Step 7: Secure the Invoker’s Rights for New Java Stored Procedures	C-12

D Troubleshooting Oracle Database Vault

Using Trace Files to Diagnose Events in the Database.....	D-1
General Diagnostic Tips	D-1
Configuration Problems with Oracle Database Vault Components.....	D-2

Index

List of Examples

4-1	Unauthorized User Trying to Create a Table.....	4-9
4-2	Unauthorized User Trying to Use the DELETE ANY TABLE Privilege.....	4-10
4-3	Authorized User Performing DELETE Operation	4-10
7-1	Using DVSYS.GET_FACTOR to Retrieve a Factor	7-15
14-1	Creating a Realm Using DBMS_MACUTL Constants	14-4
14-2	Creating a Rule Set Using DBMS_MACUTL Constants	14-4
14-3	Creating a Factor Using DBMS_MACUTL Constants.....	14-5
C-1	Adding Rules to the Existing ALTER SYSTEM Command Rule.....	C-8
C-2	Query to Identify Java Stored Procedures with Definers Rights	C-9
C-3	Creating a PL/SQL Wrapper	C-10
C-4	Identifying Java Stored Procedures with Invoker's Rights	C-11
C-5	Testing Oracle Database Vault Protection for Java Stored Procedures.....	C-11

List of Figures

1-1	Oracle Database Vault Security	1-6
3-1	Oracle Database Vault Administrator Home Page.....	3-6
4-1	How Authorizations Work for Realms and Realm Owners.....	4-11
11-1	Hierarchy of Oracle Database Vault Roles.....	11-3

List of Tables

1-1	Regulations That Address Potential Security Threats.....	1-4
2-1	Modified Database Initialization Parameter Settings.....	2-2
2-2	Privileges Oracle Database Vault Revokes.....	2-4
4-1	Reports Related to Realms.....	4-13
4-2	Data Dictionary Views Used for Realms.....	4-13
5-1	Reports Related to Rule Sets.....	5-18
5-2	Data Dictionary Views Used for Rules and Rule Sets.....	5-18
6-1	Default Command Rules.....	6-2
6-2	Reports Related to Command Rules.....	6-9
7-1	Reports Related to Factors and Their Identities.....	7-29
7-2	Data Dictionary Views Used for Factors and Factor Identities.....	7-29
8-1	Reports Related to Secure Application Roles.....	8-8
9-1	Reports Related to Database Vault and Oracle Label Security Integration.....	9-9
9-2	Data Dictionary Views Used for Oracle Label Security.....	9-9
11-1	Privileges of Oracle Database Vault Roles.....	11-3
11-2	Database Accounts Used by Oracle Database Vault.....	11-9
11-3	Model Oracle Database Vault Database Accounts.....	11-10
12-1	DBMS_MACADM Realm Configuration Procedures.....	12-2
12-2	ADD_AUTH_TO_REALM Parameters.....	12-2
12-3	ADD_OBJECT_TO_REALM Parameters.....	12-4
12-4	CREATE_REALM Parameters.....	12-5
12-5	DELETE_AUTH_FROM_REALM Parameters.....	12-6
12-6	DELETE_OBJECT_FROM_REALM Parameters.....	12-6
12-7	DELETE_REALM Parameter.....	12-7
12-8	DELETE_REALM_CASCADE Parameter.....	12-8
12-9	RENAME_REALM Parameters.....	12-8
12-10	UPDATE_REALM Parameters.....	12-9
12-11	UPDATE_REALM_AUTH Parameters.....	12-10
12-12	DBMS_MACADM Rule Set Configuration Procedures.....	12-11
12-13	ADD_RULE_TO_RULE_SET Parameters.....	12-11
12-14	CREATE_RULE Parameters.....	12-13
12-15	CREATE_RULE_SET Parameters.....	12-14
12-16	DELETE_RULE Parameter.....	12-15
12-17	DELETE_RULE_FROM_RULE_SET Parameters.....	12-16
12-18	DELETE_RULE_SET Parameter.....	12-16
12-19	RENAME_RULE Parameters.....	12-17
12-20	RENAME_RULE_SET Parameters.....	12-17
12-21	UPDATE_RULE Parameters.....	12-18
12-22	UPDATE_RULE_SET Parameters.....	12-19
12-23	DBMS_MACADM Command Rule Configuration Procedures.....	12-20
12-24	CREATE_COMMAND_RULE Parameters.....	12-21
12-25	DELETE_COMMAND_RULE Parameters.....	12-22
12-26	UPDATE_COMMAND_RULE Parameters.....	12-23
12-27	DBMS_MACADM Factor Configuration Procedures.....	12-24
12-28	ADD_FACTOR_LINK Parameters.....	12-25
12-29	ADD_POLICY_FACTOR Parameters.....	12-26
12-30	CHANGE_IDENTITY_FACTOR Parameters.....	12-26
12-31	CHANGE_IDENTITY_VALUE Parameters.....	12-27
12-32	CREATE_DOMAIN_IDENTITY Parameters.....	12-28
12-33	CREATE_FACTOR Parameters.....	12-29
12-34	CREATE_FACTOR_TYPE Parameters.....	12-31
12-35	CREATE_IDENTITY Parameters.....	12-31
12-36	CREATE_IDENTITY_MAP Parameters.....	12-32

12-37	DELETE_FACTOR Parameter	12-33
12-38	DELETE_FACTOR_LINK Parameters	12-33
12-39	DELETE_FACTOR_TYPE Parameters	12-34
12-40	DELETE_IDENTITY Parameters	12-34
12-41	DELETE_IDENTITY_MAP Parameters	12-35
12-42	DROP_DOMAIN_IDENTITY Parameters	12-36
12-43	GET_INSTANCE_INFO Parameter	12-36
12-44	GET_SESSION_INFO Parameter	12-37
12-45	RENAME_FACTOR Parameters	12-37
12-46	RENAME_FACTOR_TYPE Parameters	12-38
12-47	UPDATE_FACTOR	12-39
12-48	UPDATE_FACTOR_TYPE Parameters	12-41
12-49	UPDATE_IDENTITY Parameters	12-41
12-50	DBMS_MACADM Secure Application Role Configuration Procedures	12-42
12-51	CREATE_ROLE Parameters	12-42
12-52	DELETE_ROLE Parameter	12-43
12-53	RENAME_ROLE Parameters	12-43
12-54	UPDATE_ROLE Parameters	12-44
12-55	DBMS_MACADM Oracle Label Security Configuration Procedures	12-45
12-56	CREATE_MAC_POLICY Parameters	12-45
12-57	Oracle Label Security Merge Algorithm Codes	12-45
12-58	CREATE_POLICY_LABEL Parameters	12-47
12-59	DELETE_MAC_POLICY_CASCADE Parameter	12-48
12-60	DELETE_POLICY_FACTOR Parameters	12-48
12-61	DELETE_POLICY_LABEL Parameters	12-49
12-62	UPDATE_MAC_POLICY	12-50
13-1	DBMS_MACSEC_ROLES Oracle Label Security Configuration Procedures	13-1
13-2	CAN_SET_ROLE Parameter	13-2
13-3	SET_ROLE Parameter	13-2
14-1	DBMS_MACUTL Listing of Constants	14-1
14-2	DBMS_MACUTL Utility Functions	14-5
14-3	CHECK_DVSYSDML_ALLOWED Parameter	14-6
14-4	GET_CODE_VALUE Parameters	14-7
14-5	GET_SECOND Parameter	14-8
14-6	GET_MINUTE Parameter	14-8
14-7	GET_HOUR Parameter	14-9
14-8	GET_DAY Parameter	14-9
14-9	GET_MONTH Parameter	14-10
14-10	GET_YEAR Parameter	14-11
14-11	IS_ALPHA Parameter	14-11
14-12	IS_DIGIT Parameter	14-12
14-13	IS_DVSYSDML_OWNER Parameter	14-12
14-14	USER_HAS_OBJECT_PRIVILEGE Parameters	14-14
14-15	USER_HAS_ROLE Parameters	14-15
14-16	USER_HAS_ROLE_VARCHAR Parameters	14-16
14-17	USER_HAS_SYSTEM_PRIVILEGE Parameters	14-16
15-1	DVSYSDML Functions	15-1
15-2	SET_FACTOR Parameters	15-2
15-3	GET_FACTOR Parameter	15-2
15-4	GET_TRUST_LEVEL Parameter	15-3
15-5	GET_TRUST_LEVEL_FOR_IDENTITY Parameters	15-4
15-6	ROLE_IS_ENABLED Parameter	15-4
15-7	GET_FACTOR_LABEL Parameters	15-5
15-8	Installed Oracle Database Vault Factor Functions	15-6
15-9	Installed Oracle Database Vault PL/SQL Rule Set Functions	15-13

15-10	Oracle Database Vault Administrator and Run-Time PL/SQL Packages.....	15-17
A-1	Oracle Database Vault Audit Trail Format	A-2
A-2	Audit Policy Settings Oracle Database Vault Adds to Oracle Database.....	A-6
C-1	Example Separation of Duty Matrix.....	C-3
C-2	Example Application Protection Matrix.....	C-4
C-3	Trusted Oracle Database Vault Roles and Privileges	C-5

Preface

Oracle Database Vault Administrator's Guide explains how to configure access control-based security in an Oracle Database environment by using Oracle Database Vault.

This preface contains the following topics:

- [Audience](#)
- [Documentation Accessibility](#)
- [Related Documents](#)
- [Conventions](#)

Audience

This document is intended for security managers, audit managers, label administrators, and Oracle database administrators (DBAs) who are involved in the configuration of Oracle Database Vault.

Documentation Accessibility

For information about Oracle's commitment to accessibility, visit the Oracle Accessibility Program website at <http://www.oracle.com/pls/topic/lookup?ctx=acc&id=docacc>.

Access to Oracle Support

Oracle customers have access to electronic support through My Oracle Support. For information, visit <http://www.oracle.com/pls/topic/lookup?ctx=acc&id=info> or visit <http://www.oracle.com/pls/topic/lookup?ctx=acc&id=trs> if you are hearing impaired.

Related Documents

For more information refer to the following documents:

- *Oracle Database Vault Release Notes*
- *Oracle Database Vault Installation Guide*
- *Oracle Label Security Administrator's Guide*
- *Oracle Database Administrator's Guide*
- *Oracle Database SQL Reference*

Oracle Documentation Search Engine

To access the database documentation search engine directly, visit:

<http://tahiti.oracle.com/>

Oracle Technology Network (OTN)

You can download free release notes, installation documentation, updated versions of this guide, white papers, or other collateral from the Oracle Technology Network (OTN). Visit

<http://www.oracle.com/technetwork/index.html>

For security-specific information on OTN, visit

<http://www.oracle.com/technetwork/topics/security/whatsnew/index.html>

For the latest version of the Oracle documentation, including this guide, visit

<http://www.oracle.com/technetwork/documentation/index.html>

Oracle Database Vault-Specific Sites

For OTN information specific to Oracle Database Vault, visit

<http://www.oracle.com/technetwork/database/options/database-vault/index-085211.html>

For frequently asked questions about Oracle Database Vault, visit

<http://www.oracle.com/technetwork/database/options/oracle-database-vault-external-faq-2032888.pdf>

Oracle Store

Printed documentation is available for sale in the Oracle Store at

<https://shop.oracle.com>

My Oracle Support (formerly OracleMetaLink)

You can find information about security patches, certifications, and the support knowledge base by visiting My Oracle Support at

<https://support.oracle.com>

Conventions

The following text conventions are used in this document:

Convention	Meaning
boldface	Boldface type indicates graphical user interface elements associated with an action, or terms defined in text or the glossary.
<i>italic</i>	Italic type indicates book titles, emphasis, or placeholder variables for which you supply particular values.
monospace	Monospace type indicates commands within a paragraph, URLs, code in examples, text that appears on the screen, or text that you enter.

Introducing Oracle Database Vault

This chapter contains:

- [What Is Oracle Database Vault?](#)
- [Components of Oracle Database Vault](#)
- [How Oracle Database Vault Addresses Compliance Regulations](#)
- [How Oracle Database Vault Addresses Insider Threats](#)
- [How Oracle Database Vault Allows for Flexible Security Policies](#)
- [How Oracle Database Vault Addresses Database Consolidation Concerns](#)

What Is Oracle Database Vault?

Oracle Database Vault restricts access to specific areas in an Oracle database from any user, including users who have administrative access. For example, you can restrict administrative access to employee salaries, customer medical records, or other sensitive information.

This enables you to apply fine-grained access control to your sensitive data in a variety of ways. It hardens your Oracle Database instance and enforces industry standard best practices in terms of separating duties from traditionally powerful users. Most importantly, it protects your data from super-privileged users but still allows them to maintain your Oracle databases. Oracle Database Vault is an integral component of your enterprise.

With Oracle Database Vault, you address the most difficult security problems remaining today: protecting against insider threats, meeting regulatory compliance requirements, and enforcing separation of duty.

You configure Oracle Database Vault to manage the security of an individual Oracle Database instance. You can install Oracle Database Vault on standalone Oracle Database installations, in multiple Oracle homes, and in Oracle Real Application Clusters (Oracle RAC) environments.

For frequently asked questions about Oracle Database Vault, visit

<http://www.oracle.com/technetwork/database/focus-areas/security/dbv-faq-083210.html>

For Oracle Technology Network (OTN) information specific to Oracle Database Vault, visit

<http://www.oracle.com/technetwork/database/options/database-vault/index-085211.html>

Components of Oracle Database Vault

Oracle Database Vault has the following components:

- [Oracle Database Vault Access Control Components](#)
- [Oracle Database Vault Administrator \(DVA\)](#)
- [Oracle Database Vault Configuration Assistant \(DVCA\)](#)
- [Oracle Database Vault DVSYS and DVF Schemas](#)
- [Oracle Database Vault PL/SQL Interfaces and Packages](#)
- [Oracle Database Vault and Oracle Label Security PL/SQL APIs](#)
- [Oracle Database Vault Reporting and Monitoring Tools](#)

Oracle Database Vault Access Control Components

Oracle Database Vault enables you to create the following components to manage security for your database instance:

- **Realms.** A realm is a functional grouping of database schemas, objects, and roles that must be secured. For example, you can group a set of schemas, objects, and roles that are related to accounting, sales, or human resources. After you have grouped these into a realm, you can use the realm to control the use of system privileges to specific accounts or roles. This enables you to provide fine-grained access controls for anyone who wants to use these schemas, objects, and roles. [Chapter 4, "Configuring Realms"](#) discusses realms in detail.
- **Command rules.** A command rule is a special rule that you can create to control how users can execute almost any SQL statement, including `SELECT`, `ALTER SYSTEM`, database definition language (DDL), and data manipulation language (DML) statements. Command rules must work with rule sets to determine whether or not the statement is allowed. [Chapter 6, "Configuring Command Rules"](#) discusses command rules in detail.
- **Factors.** A factor is a named variable or attribute, such as a user location, database IP address, or session user, which Oracle Database Vault can recognize and secure. You can use factors for activities such as authorizing database accounts to connect to the database or creating filtering logic to restrict the visibility and manageability of data. Each factor can have one or more identities. An identity is the actual value of a factor. A factor can have several identities depending on the factor retrieval method or its identity mapping logic. [Chapter 7, "Configuring Factors"](#) discusses factors in detail.
- **Rule sets.** A rule set is a collection of one or more rules that you can associate with a realm authorization, command rule, factor assignment, or secure application role. The rule set evaluates to true or false based on the evaluation of each rule it contains and the evaluation type (*All True* or *Any True*). The rule within a rule set is a PL/SQL expression that evaluates to true or false. You can have the same rule in multiple rule sets. [Chapter 5, "Configuring Rule Sets"](#) discusses rule sets in detail.
- **Secure application roles.** A secure application role is a special Oracle Database role that can be enabled based on the evaluation of an Oracle Database Vault rule set. [Chapter 8, "Configuring Secure Application Roles for Oracle Database Vault"](#) discusses secure application roles in detail.

To augment these components, Oracle Database Vault provides a set of PL/SQL interfaces and packages. ["Oracle Database Vault PL/SQL Interfaces and Packages"](#) on page 1-3 provides an overview.

In general, the first step you take is to create a realm composed of the database schemas or database objects that you want to secure. You can further secure the realm by creating rules, command rules, factors, identities, rule sets, and secure application roles. In addition, you can run reports on the activities these components monitor and protect. [Chapter 3, "Getting Started with Oracle Database Vault"](#) provides a simple tutorial that will familiarize you with basic Oracle Database Vault functionality. [Chapter 17, "Oracle Database Vault Reports"](#) provides more information about how you can run reports to check the configuration and other activities that Oracle Database Vault performs.

Oracle Database Vault Administrator (DVA)

Oracle Database Vault Administrator is a Java application that is built on top of the Oracle Database Vault PL/SQL application programming interfaces (API). This application allows security managers who may not be proficient in PL/SQL to configure the access control policy through a user-friendly interface. Oracle Database Vault Administrator provides an extensive collection of security-related reports that assist in understanding the baseline security configuration. These reports also help point out deviations from this baseline.

[Chapter 4](#) through [Chapter 9](#) explain how to use Oracle Database Vault Administrator to configure access control policy defined in realms, command rules, factors, rule sets, secure application roles, and how to integrate Oracle Database Vault with other Oracle products. [Chapter 17, "Oracle Database Vault Reports"](#) explains Oracle Database Vault reporting.

Oracle Database Vault Configuration Assistant (DVCA)

To perform maintenance tasks on your Oracle Database Vault installation, use the command-line utility Oracle Database Vault Configuration Assistant (DVCA). For more information, see *Oracle Database Vault Installation Guide*.

Oracle Database Vault DVSYS and DVF Schemas

Oracle Database Vault provides a schema, *DVSYS*, which stores the database objects needed to process Oracle data for Oracle Database Vault. This schema contains the roles, views, accounts, functions, and other database objects that Oracle Database Vault uses. The *DVF* schema contains public functions to retrieve (at run time) the factor values set in the Oracle Database Vault access control configuration.

[Chapter 11, "Oracle Database Vault Objects"](#) describes these schemas in detail.

Oracle Database Vault PL/SQL Interfaces and Packages

Oracle Database Vault provides a collection of PL/SQL interfaces and packages that allow security managers or application developers to configure the access control policy as required. The PL/SQL procedures and functions allow the general database account to operate within the boundaries of access control policy in the context of a given database session.

See [Chapter 15, "Using the Oracle Database Vault PL/SQL Interfaces"](#) and [Chapter 12, "Using the DBMS_MACADM Package"](#) for more information.

Oracle Database Vault and Oracle Label Security PL/SQL APIs

Oracle Database Vault provides access control capabilities that can be integrated with Oracle Label Security. The Oracle Label Security database option is integrated with

Oracle Enterprise Manager Database Control, which enables the security manager to define label security policy and apply it to database objects. Oracle Label Security also provides a collection of PL/SQL packages that can be used by a database application developer to provide label security policy and protections.

See ["Integrating Oracle Database Vault with Oracle Label Security"](#) on page 9-2 for more information on how Oracle Database Vault works with Oracle Label Security. See also *Oracle Label Security Administrator's Guide* for more information about Oracle Policy Manager.

Oracle Database Vault Reporting and Monitoring Tools

You can generate reports on the various activities that Oracle Database Vault monitors. In addition, you can monitor policy changes, security violation attempts, and database configuration and structural changes.

See [Chapter 17, "Oracle Database Vault Reports"](#) for more information about the reports that you can generate. [Chapter 16, "Monitoring Oracle Database Vault"](#) explains how to monitor Oracle Database Vault.

How Oracle Database Vault Addresses Compliance Regulations

One of the biggest side benefits resulting from regulatory compliance has been security awareness. Historically, the focus of the information technology (IT) department has been on high availability and performance. The focus on regulatory compliance has required everyone to take a step back and look at their IT infrastructure, databases, and applications from a security angle. Common questions include:

- Who has access to this information?
- Where is the sensitive information stored?

Regulations such as the Sarbanes-Oxley Act, Health Insurance Portability and Accountability Act (HIPAA), International Convergence of Capital Measurement and Capital Standards: a Revised Framework (Basel II), Japan Privacy Law, Payment Card Industry Data Security Standard (PCI DSS), and the European Union Directive on Privacy and Electronic Communications have common themes that include internal controls, separation of duty, and access control.

While most changes required by regulations such as Sarbanes-Oxley and HIPAA are procedural, the remainder may require technology investments. A common security requirement found in regulations is stringent internal controls. The degree to which Oracle Database Vault helps an organization achieve compliance varies with the regulation. In general, Oracle Database Vault realms, separation of duty features, command rules, and factors help reduce the overall security risks that regulation provisions worldwide address.

[Table 1–1](#) lists regulations that address potential security threats.

Table 1–1 Regulations That Address Potential Security Threats

Regulation	Potential Security Threat
Sarbanes-Oxley Section 302	Unauthorized changes to data
Sarbanes-Oxley Section 404	Modification to data, unauthorized access
Sarbanes-Oxley Section 409	Denial of service, unauthorized access
Gramm-Leach-Bliley	Unauthorized access, modification, or disclosure

Table 1–1 (Cont.) Regulations That Address Potential Security Threats

Regulation	Potential Security Threat
Health Insurance Portability and Accountability Act (HIPAA) 164.306	Unauthorized access to data
HIPAA 164.312	Unauthorized access to data
Basel II – Internal Risk Management	Unauthorized access to data
CFR Part 11	Unauthorized access to data
Japan Privacy Law	Unauthorized access to data
EU Directive on Privacy and Electronic Communications	Unauthorized access to data
Payment Card Industry Data Security Standard (PCI DSS)	Unauthorized changes to data

How Oracle Database Vault Addresses Insider Threats

For many years, worms, viruses, and the external intruder (hacker) have been perceived as the biggest threats to computer systems. Unfortunately, what is often overlooked is the potential for trusted users or privileged users to steal or modify data.

Oracle Database Vault protects against insider threats by using realms, factors, and command rules. Combined, these provide powerful security tools to help secure access to databases, applications, and sensitive information. You can combine rules and factors to control the conditions under which commands in the database are allowed to execute, and to control access to data protected by a realm. For example, you can create rules and factors to control access to data based on IP addresses, the time of day, and specific programs. These can limit access to only those connections pass these conditions. This can prevent unauthorized access to the application data and as access to the database by unauthorized applications.

Oracle Database Vault provides built-in factors that you can use in combination with rules to control access to the database, realm-protected applications, and commands within the database.

You can associate rules and factors with dozens of commands within the database to provide stronger internal controls within the database. You can customize these to meet the operational policies for your site. For example, you could define a rule to limit execution of the `ALTER SYSTEM` statement to a specific IP address and host name.

How Oracle Database Vault Allows for Flexible Security Policies

Oracle Database Vault helps you design flexible security policies for your database. For example, any database user, such as `SYSTEM`, who has the `DBA` role, can make modifications to basic parameters in a database. Suppose an inexperienced administrator who has system privileges decides to start a new redo log file but does not realize that doing so at a particular time may cause problems for the database. With Oracle Database Vault, you can create a command rule to prevent this user from making such modifications by limiting his or her usage of the `ALTER SYSTEM SWITCH LOGFILE` statement. Furthermore, you can attach rules to the command rule to restrict activity further, such as limiting the statement's execution in the following ways:

- By time (for example, only during 4 p.m. and 5 p.m. on Friday afternoons)
- By local access only, that is, not remotely

- By IP address (for example, allowing the action to only a specified range of IP addresses)

In this way, you can carefully control and protect your system. You can disable and reenable command rules when you need to, and easily maintain them from one central location using Oracle Database Vault Administrator.

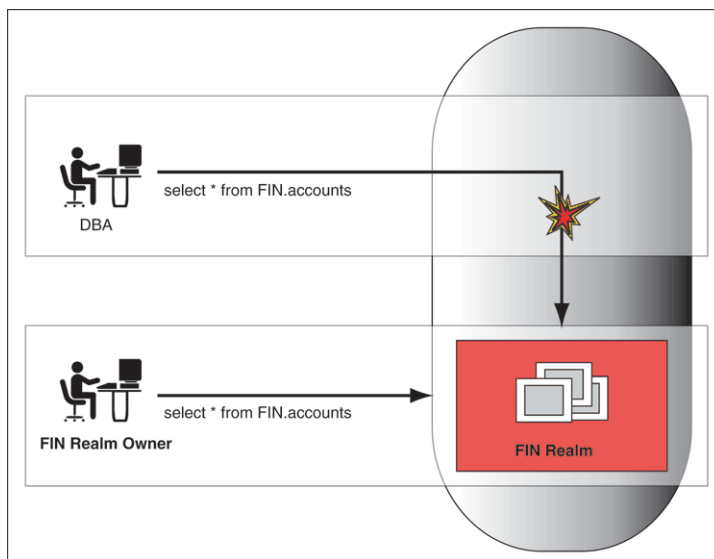
How Oracle Database Vault Addresses Database Consolidation Concerns

Oracle customers today still have hundreds and even thousands of databases distributed throughout the enterprise and around the world. However, database consolidation will continue as a cost-saving strategy in the coming years. The physical security provided by the distributed database architecture must be available in the consolidated environment. Oracle Database Vault addresses the primary security concerns of database consolidation.

Figure 1-1 illustrates how Oracle Database Vault addresses the following database security concerns:

- **Administrative privileged account access to application data:** In this case, Oracle Database Vault prevents the DBA from accessing the schemas that are protected by the FIN Realm. Although the DBA is the most powerful and trusted user, the DBA does not need access to application data residing within the database.
- **Separation of duties for application data access:** In this case, the FIN Realm Owner, created in Oracle Database Vault, has access to the FIN Realm schemas.

Figure 1-1 Oracle Database Vault Security



Database consolidation can result in multiple powerful user accounts residing in a single database. This means that in addition to the overall database DBA, individual application schema owners also may have powerful privileges. Revoking some privileges may adversely affect existing applications. Using Oracle Database Vault realms, you can enforce access to applications through a trusted path, preventing database users who have not been specifically authorized access from using powerful privileges to look at application data. For example, a DBA who has the `SELECT ANY TABLE` privilege can be prevented from using that privilege to view application data.

What to Expect After You Install Oracle Database Vault

This chapter contains:

- [Initialization and Password Parameter Settings That Change](#)
- [How Oracle Database Vault Restricts User Authorizations](#)
- [Using New Database Roles to Enforce Separation of Duties](#)
- [Privileges That Are Revoked from Existing Users and Roles](#)
- [Privileges That Are Prevented for Existing Users and Roles](#)
- [How Oracle Database Vault Affects Oracle Database Auditing](#)
- [Creating Oracle Virtual Private Database or Fine-Grained Auditing Policies](#)

See Also: [Appendix C, "Oracle Database Vault Security Guidelines"](#) for guidelines on managing security in the Oracle Database configuration

Initialization and Password Parameter Settings That Change

When you install Oracle Database Vault, the installation process modifies several database initialization parameter settings to better secure your database configuration. If these changes adversely affect your organizational processes or database maintenance procedures, then contact Oracle Support for help in resolving the issue.

[Table 2-1](#) describes the initialization parameter settings that Oracle Database Vault modifies. Initialization parameters are stored in the `init.ora` initialization parameter file, located in `$ORACLE_HOME/srvn/admin`. For more information about this file, see *Oracle Database Administrator's Guide*.

Table 2–1 Modified Database Initialization Parameter Settings

Parameter	Default Value in Database	New Value Set by Database Vault	Impact of the Change
AUDIT_SYS_OPERATIONS	FALSE	TRUE	<p>Enables the auditing of top-level operations directly issued by user SYS, and users connecting with SYSDBA or SYSOPER privilege.</p> <p>For more information about AUDIT_SYS_OPERATIONS, see <i>Oracle Database SQL Reference</i>.</p>
OS_AUTHENT_PREFIX	ops\$	Null string	<p>Eliminates the addition of a prefix to operating system account names.</p> <p>For more information about OS_AUTHENT_PREFIX, see <i>Oracle Database SQL Reference</i>.</p>
OS_ROLES	Not configured.	FALSE	<p>Disables the operating system to completely manage the granting and revoking of roles to users. Any previous grants of roles to users using GRANT statements do not change, because they are still listed in the data dictionary. Only the role grants made at the operating system-level to users apply. Users can still grant privileges to roles and users.</p> <p>For more information about OS_ROLES, see <i>Oracle Database SQL Reference</i>.</p>
REMOTE_LOGIN_PASSWORDFILE	EXCLUSIVE	EXCLUSIVE	<p>Specifies whether Oracle Database checks for a password file. The EXCLUSIVE setting enforces the use of the password file, if you installed Oracle Database Vault into a database where REMOTE_LOGIN_PASSWORDFILE is not set to EXCLUSIVE.</p> <p>For more information about REMOTE_LOGIN_PASSWORDFILE, see <i>Oracle Database Reference</i>.</p>

Table 2–1 (Cont.) Modified Database Initialization Parameter Settings

Parameter	Default Value in Database	New Value Set by Database Vault	Impact of the Change
REMOTE_OS_AUTHENT	FALSE	FALSE	<p>Prevents remote clients from being authenticated with the value of the OS_AUTHENT_PREFIX parameter.</p> <p>This prevents a remote user from impersonating another operating system user over a network connection.</p> <p>For more information about REMOTE_OS_AUTHENT, see <i>Oracle Database Security Guide</i>.</p>
REMOTE_OS_ROLES	FALSE	FALSE	<p>Disables users who are connecting to the database through Oracle Net to have their roles authenticated by the operating system.</p> <p>This includes connections through a shared server configuration, as this connection requires Oracle Net. This restriction is the default because a remote user could impersonate another operating system user over a network connection.</p> <p>For more information about REMOTE_OS_ROLES, see <i>Oracle Database Security Guide</i>.</p>
SQL92_SECURITY	FALSE	TRUE	<p>Ensures that if a user has been granted the UPDATE and DELETE object privileges, then the user must also be granted the SELECT object privilege before being able to perform UPDATE or DELETE operations on tables that have WHERE or SET clauses.</p> <p>For more information about SQL92_SECURITY, see <i>Oracle Database SQL Reference</i>.</p>

How Oracle Database Vault Restricts User Authorizations

During installation of Oracle Database Vault, the installer prompts for two additional database account names. In addition, several database roles are created. These accounts are part of the separation of duties provided by Oracle Database Vault. One common audit problem that has affected several large organizations is the unauthorized creation of new database accounts by a database administrator within a production instance.

Upon installation, Oracle Database Vault prevents anyone other than the Oracle Database Vault account manager or a user granted the Oracle Database Vault account manager role from creating users in the database.

Using New Database Roles to Enforce Separation of Duties

To meet regulatory, privacy and other compliance requirements, Oracle Database Vault implements the concept of *separation of duty*. Oracle Database Vault makes clear separation between the account management responsibility, data security

responsibility, and database resource management responsibility inside the database. This means that the concept of a privileged user (for example, DBA) is divided among several new database roles to ensure no one user has full control over both the data and configuration of the system. Oracle Database Vault prevents the SYS user and other accounts with the DBA role and other system privileges from designated protected areas of the database called *realms*. It also introduces new database roles called the Oracle Database Vault Owner (DV_OWNER) and the Oracle Database Vault Account Manager (DV_ACCTMGR). These new database roles separate the data security and the account management from the traditional DBA role. You should map these roles to distinct security professionals within your organization.

See ["Oracle Database Vault Roles"](#) on page 11-2 for detailed information about the roles created during the Oracle Database Vault installation. See also ["Oracle Database Vault Accounts"](#) on page 11-8 for default accounts that are created and for suggestions of additional accounts that you may want to create.

Privileges That Are Revoked from Existing Users and Roles

When you install Oracle Database Vault, it revokes a set of privileges from several Oracle Database-supplied roles, as part of the separation of duty enhancement.

[Table 2–2](#) lists privileges that Oracle Database Vault revokes from existing users and roles. Be aware that if you disable Oracle Database Vault, these privileges remain revoked. If your applications depend on these privileges, then grant them to application owner directly.

Table 2–2 Privileges Oracle Database Vault Revokes

User or Role	Privilege That Is Revoked
DBA role	<ul style="list-style-type: none"> ■ BECOME USER ■ SELECT ANY TRANSACTION ■ CREATE ANY JOB ■ CREATE EXTERNAL JOB ■ EXECUTE ANY PROGRAM ■ EXECUTE ANY CLASS ■ MANAGE SCHEDULER ■ DEQUEUE ANY QUEUE ■ ENQUEUE ANY QUEUE ■ MANAGE ANY QUEUE
DBA role	<ul style="list-style-type: none"> ■ BECOME USER ■ SELECT ANY TRANSACTION ■ CREATE ANY JOB ■ CREATE EXTERNAL JOB ■ EXECUTE ANY PROGRAM ■ EXECUTE ANY CLASS ■ DEQUEUE ANY QUEUE ■ ENQUEUE ANY QUEUE ■ MANAGE ANY QUEUE
IMP_FULL_DATABASE role	<ul style="list-style-type: none"> ■ BECOME USER ■ MANAGE ANY QUEUE

Table 2–2 (Cont.) Privileges Oracle Database Vault Revokes

User or Role	Privilege That Is Revoked
EXECUTE_CATALOG_ROLE role	<ul style="list-style-type: none"> ■ EXECUTE ON DBMS_LOGMNR ■ EXECUTE ON DBMS_LOGMNR_D ■ EXECUTE ON DBMS_LOGMNR_LOGREP_DICT ■ EXECUTE ON DBMS_LOGMNR_SESSION ■ EXECUTE ON DBMS_FILE_TRANSFER
EXECUTE_CATALOG_ROLE role	<ul style="list-style-type: none"> ■ EXECUTE ON DBMS_LOGMNR ■ EXECUTE ON DBMS_LOGMNR_D ■ EXECUTE ON DBMS_LOGMNR_LOGREP_DICT ■ EXECUTE ON DBMS_LOGMNR_SESSION
PUBLIC user	<ul style="list-style-type: none"> ■ EXECUTE ON UTL_FILE
SCHEDULER_ADMIN role	<ul style="list-style-type: none"> ■ CREATE ANY JOB ■ CREATE EXTERNAL JOB ■ EXECUTE ANY PROGRAM ■ EXECUTE ANY CLASS ■ MANAGE SCHEDULER

See Also:

- [Table 11–1, "Privileges of Oracle Database Vault Roles"](#) on page 11-3
- ["Oracle Database Vault Account Manager Role, DV_ACCTMGR"](#) on page 11-6

Privileges That Are Prevented for Existing Users and Roles

The following privileges are prevented for all users and roles who have been granted these privileges, including users SYS and SYSTEM:

- ALTER PROFILE
- ALTER USER (but users can still use the ALTER USER statement to change their own passwords)
- CREATE PROFILE
- CREATE USER
- DROP PROFILE
- DROP USER

For better security and to maintain separation-of-duty standards, do not enable SYS or SYSTEM users the ability to create or manage user accounts.

How Oracle Database Vault Affects Oracle Database Auditing

This section contains:

- [AUD\\$ Table Moved from SYS to the SYSTEM Schema](#)
- [Modified AUDIT Statement Settings](#)

AUD\$ Table Moved from SYS to the SYSTEM Schema

In an Oracle Database Vault environment, when Oracle Label Security is enabled, the AUD\$ table is moved from the SYS schema to the SYSTEM schema. The synonym SYS.AUD\$ is created to refer to the SYSTEM.AUD\$ table.

Tip: For greater security, create a realm around the SYSTEM.AUD\$ and SYS.FGA_LOG\$ tables. See [Chapter 4, "Configuring Realms,"](#) for more information about realms.

Modified AUDIT Statement Settings

When you install Oracle Database Vault, it configures several AUDIT statement settings in the database. See "[Oracle Database Audit Settings Created for Oracle Database Vault](#)" on page A-5 for more information.

Creating Oracle Virtual Private Database or Fine-Grained Auditing Policies

If users plan to create Oracle Virtual Private Database or fine-grained auditing policies, they must have the EXECUTE privilege on the DBMS_RLS PL/SQL package. When Oracle Database Vault is enabled, the SYS user no longer owns this package; the Oracle Database Vault administrator (DV_ADMIN) does. As the DV_ADMIN user, grant these users the EXECUTE privilege for the DBMS_RLS PL/SQL package.

Getting Started with Oracle Database Vault

This chapter contains:

- [Starting Oracle Database Vault Administrator](#)
- [Quick Start Tutorial: Securing a Schema from DBA Access](#)

Starting Oracle Database Vault Administrator

This section contains:

- [Accessing Oracle Database Vault Pages from Oracle Enterprise Manager](#)
- [Starting Oracle Database Vault Administrator](#)

Accessing Oracle Database Vault Pages from Oracle Enterprise Manager

This section contains:

- [Accessing Oracle Database Vault Pages from Database Control](#)
- [Accessing Oracle Database Vault Pages from Grid Control](#)

Accessing Oracle Database Vault Pages from Database Control

From Database Control, you can use the Oracle Database Vault pages to monitor a Database Vault-enabled database and view Database Vault reports.

However, you cannot create policies or perform other Database Vault Administrator-related actions from Database Control. If you want to perform these tasks, then use Database Vault Administrator, described under "[Starting Oracle Database Vault Administrator](#)" on page 3-4. If you want to propagate Database Vault policies to other Database Vault-enabled databases, then see "[Accessing Oracle Database Vault Pages from Grid Control](#)" on page 3-2.

To access the Oracle Database Vault pages from Database Control:

1. From My Oracle Support (formerly *OracleMetaLink*), download and install patch 760748.1 (Managing Database Vault From Grid Control 10.2.0.5).

You can access My Oracle Support from the following Web site:

<https://support.oracle.com>

2. Start Database Control.

For example:

<https://myserver.example.com:1158/em>

3. Log in to Database Control with the following information:
 - **Username:** Enter the name of a user who has been granted the appropriate Oracle Database Vault role:
 - Creating and propagating Database Vault policies: `DV_OWNER` or `DV_ADMIN`
 - Viewing Database Vault alerts and reports: `DV_OWNER`, `DV_ADMIN`, or `DV_SECANALYST`
 - Creating and managing user accounts and roles: `DV_ACCTMGR`

The Oracle Database Vault roles do not need any additional privileges (such as `SELECT ANY DICTIONARY`) to use Database Control.

See "[About Oracle Database Vault Roles](#)" on page 11-2 for more information about these roles.

- **Password:** Enter your password.
 - **Connect As:** Select **Normal** from the list.
 - **Save as Preferred Credential check box:** Select this check box if you want these credentials to be automatically filled in for you the next time that this page appears.
4. In the Home page, click **Server** to display the Server subpage.
 5. Under Security, select **Database Vault**.

The Oracle Database Vault home page appears.

Accessing Oracle Database Vault Pages from Grid Control

From Grid Control, you can use the Oracle Database Vault pages to propagate Database Vault policies to other Database Vault-protected databases, administer and monitor Database Vault-protected databases from a centralized console, automate alerts, and view Database Vault reports.

However, you cannot create policies or perform other Database Vault Administrator-related actions from Grid Control. If you want to perform these tasks, then use Database Vault Administrator, described under "[Starting Oracle Database Vault Administrator](#)" on page 3-4.

To access the Oracle Database Vault pages from Grid Control:

1. From My Oracle Support, download and install patch 760748.1 (Managing Database Vault From Grid Control 10.2.0.5).

You can access My Oracle Support from the following Web site:

<https://support.oracle.com>
2. Ensure that you have configured the Grid Control target databases that you plan to use with Database Vault.

See the Oracle Enterprise Manager online help and *Oracle Enterprise Manager Advanced Configuration* for more information about configuring target databases.
3. Start Grid Control.

For example:

`https://myserver.example.com:1158/em`
4. Log in to Oracle Enterprise Manager as user `SYSMAN` and connect as `Normal`.

5. In the Oracle Enterprise Manager Database Home page (Database Home page), select the **Targets** subpage.
6. Select the **Databases** subpage.
7. In the Databases page, select the link for the Oracle Database Vault-protected database to which you want to connect.

The home page for the database instance appears.

8. In the Home page, click **Server** to display the Server subpage.
9. Under Security, select **Database Vault**.

The Oracle Database Vault login page appears.

10. Enter the following information:

- **Username:** Enter the name of a user who has been granted the appropriate Oracle Database Vault role:
 - Creating and propagating Database Vault policies: `DV_OWNER` or `DV_ADMIN`
 - Viewing Database Vault alerts and reports: `DV_OWNER`, `DV_ADMIN`, or `DV_SECANALYST`
 - Creating and managing user accounts and roles: `DV_ACCTMGR`

The Oracle Database Vault roles do not need any additional privileges (such as `SELECT ANY DICTIONARY`) to use Grid Control.

See "[About Oracle Database Vault Roles](#)" on page 11-2 for more information.

- **Password:** Enter your password.
 - **Connect As:** Select **Normal** from the list.
 - **Save as Preferred Credential check box:** Select this check box if you want these credentials to be automatically filled in for you the next time that this page appears.
11. Click the **Login** button.

The Oracle Database Vault home page appears.

See Also: "[Using Oracle Database Vault with Oracle Enterprise Manager Grid Control](#)" on page 10-1

Starting Oracle Database Vault Administrator

Tip: If you are using Oracle Enterprise Manager Database Control, you can configure it for an SSL (HTTPS) secure connection. For more information, see *Oracle Enterprise Manager Advanced Configuration* in Oracle Enterprise Manager 10g Release 10.1. To access this manual, visit Oracle Technology Network (OTN) at

<http://www.oracle.com/technetwork/index.html>

Follow these steps:

1. From the **Documentation** menu, select **Enterprise Manager**.
2. On the Oracle Enterprise Manager 10g Release Documentation page, under Other Releases, select the **Oracle Enterprise Manager Release 1 (10.1) Documentation** link.
3. On the Oracle Enterprise Manager 10g Release 1 (10.1) Documentation page, select either **PDF** or **HTML** for *Oracle Enterprise Manager Advanced Configuration*, whose part number is B12013-03.
4. In Chapter 4, "Enterprise Manager Security," go to "Configuring Security for the Database Control."

If you are not using Oracle Enterprise Manager Database Control or Grid Control, or if you want to connect to Oracle Database Vault from a different computer, follow these steps to start Oracle Database Vault Administrator.

1. From a browser, enter the following URL:

```
http://host_name:port/dva
```

In this specification:

- *host_name* is the server where you installed Oracle Database Vault
- *port* is the Oracle Enterprise Manager Console HTTP port number

For example:

```
http://myserver:1158/dva
```

If you are unsure of the port number, open the `ORACLE_HOME/host_sid/sysman/config/emd.properties` file and search for `REPOSITORY_URL`.

Log files are in the following directory:

```
$ORACLE_HOME/sysman/log
```

2. Log in by using the Oracle Database Vault Owner (`DV_OWNER`) account that you created during installation.

Enter the following values:

- **User Name:** Enter the name of a user who has been granted the appropriate Oracle Database Vault role:
 - Creating and managing Database Vault policies: `DV_OWNER` or `DV_ADMIN`
 - Viewing Database Vault reports: `DV_OWNER`, `DV_ADMIN`, or `DV_SECANALYST`
 - Creating and managing user accounts and roles: `DV_ACCTMGR`

See "[About Oracle Database Vault Roles](#)" on page 11-2 for more information.

- **Password:** Enter your password.

- **Host:** Enter the host ID, for example:
`myserver.us.example.com`
- **Port:** Enter the port number for this installation of Oracle Database, for example:
`1521`
- **SID/Service:** Select either SID or Service, and then enter the name of the Oracle SID or service for this installation of Oracle Database.

By default, you cannot log in to Oracle Database Vault Administrator by using the `SYS`, `SYSTEM`, or other administrative accounts. You can log in if you have been granted the `DV_OWNER` or `DV_ADMIN` role.

The login page enables you to log in to the default Oracle Database Vault installation. If you want to log in to a different Database Vault installation, enter the following values:

- **Host:** Enter the host name of the computer of the Oracle Database Vault installation you want.
- **Port:** Enter the port number.
- **SID/Service:** To connect using the server identification, select **SID** and then enter the server ID of the database you want (for example, `orcl`). To connect using the service information, select **Service**, and then enter the service identification in the following format:

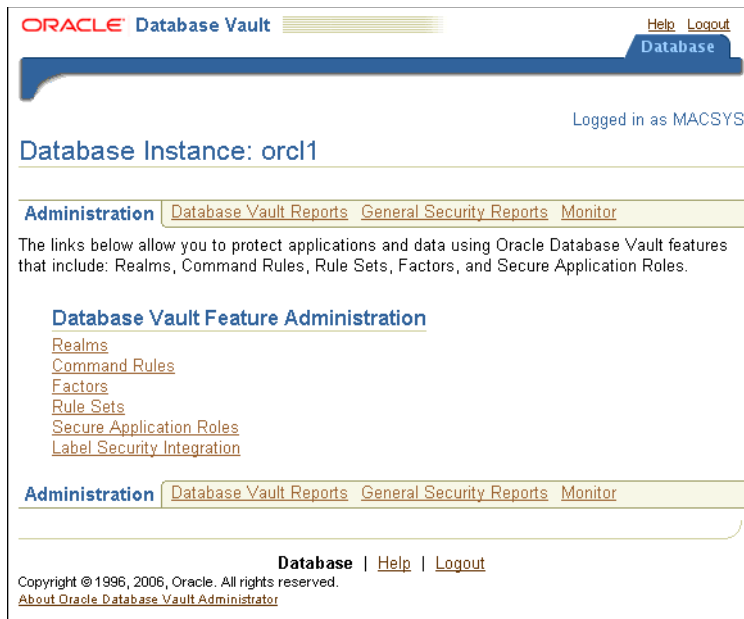
`server.domain`

For example:

`myserver.us.example.com`

To find the SID and service connection information, check the `tnsnames.ora` file. By default, this file is located in `ORACLE_BASE/ORACLE_HOME/network/admin`.

Figure 3–1 shows the Oracle Database Vault Administrator home page, which appears after you log in.

Figure 3–1 Oracle Database Vault Administrator Home Page

Quick Start Tutorial: Securing a Schema from DBA Access

This section contains:

- [About This Tutorial](#)
- [Step 1: Adding the SYSTEM User to the Data Dictionary Realm](#)
- [Step 2: Log On as SYSTEM to Access the HR Schema](#)
- [Step 3: Create a Realm](#)
- [Step 4: Secure the EMPLOYEES Table in the HR Schema](#)
- [Step 5: Create an Authorization for the Realm](#)
- [Step 6: Test the Realm](#)
- [Step 7: Run a Report](#)
- [Step 8: Remove the Components for This Tutorial](#)

About This Tutorial

In this tutorial, you create a simple security configuration for the HR sample database schema. In the HR schema, the EMPLOYEES table has information such as salaries that should be hidden from most employees in the company, including those with administrative access. To accomplish this, you add the HR schema to the secured objects of the protection zone, which in Oracle Database Vault is called a *realm*, inside the database. Then you grant limited authorizations to this realm. Afterward, you test the realm to make sure it has been properly secured. And finally, to see how Oracle Database Vault provides an audit trail on suspicious activities like the one you will try when you test the realm, you will run a report.

Before you can use this tutorial, ensure that the HR sample schema is installed. See *Oracle Database Sample Schemas* for information on installing the sample schemas.

Step 1: Adding the SYSTEM User to the Data Dictionary Realm

In this tutorial, the `SYSTEM` user grants the `ANY` privilege to a new user account, `SEBASTIAN`. To do this, you must include `SYSTEM` in the Oracle Data Dictionary realm.

To include `SYSTEM` in the Oracle Data Dictionary realm:

1. Log in to Oracle Database Vault Administrator as a user who has been granted the `DV_OWNER` role.
["Starting Oracle Database Vault Administrator"](#) on page 3-1 explains how to log in.
2. In the Administration page, under Database Vault Feature Administration, click **Realms**.
3. In the Realms page, select **Oracle Data Dictionary** from the list and then click **Edit**.
4. In the Edit Realm: Oracle Data Dictionary page, under Realm Authorizations, click **Create**.
5. In the Create Realm Authorization Page, from the Grantee list, select **SYSTEM [USER]**.
6. For Authorization Type, select **Owner**.
7. Leave Authorization Rule Set at **<Non Selected>**.
8. Click **OK**.

In the Edit Realm: Oracle Data Dictionary page, `SYSTEM` should be listed as an owner under the Realm Authorizations.

9. Click **OK** to return to the Realms page.
10. To return to the Administration page, click the **Database Instance *instance_name*** link over Realms.

Step 2: Log On as SYSTEM to Access the HR Schema

Log in to SQL*Plus as user `SYSTEM` and access the `HR` schema.

```
sqlplus system
Enter password: password
```

```
SELECT FIRST_NAME, LAST_NAME, SALARY FROM HR.EMPLOYEES WHERE ROWNUM < 10;
```

Output similar to the following appears:

FIRST_NAME	LAST_NAME	SALARY
Donald	OConnell	2600
Douglas	Grant	2600
Jennifer	Whalen	4400
Michael	Hartstein	13000
Pat	Fay	6000
Susan	Mavris	6500
Hermann	Baer	10000
Shelley	Higgins	12000
William	Gietz	8300

9 rows selected.

If the `HR` schema is locked and expired, log in to SQL*Plus as the Database Vault Account Manager and unlock and unexpire the account. For example:

```
sqlplus amalcolm_dvacctmgr  
Enter password: password
```

```
ALTER USER HR ACCOUNT UNLOCK IDENTIFIED BY password
```

Replace *password* with a password that is secure.

As you can see, *SYSTEM* has access to the salary information in the *EMPLOYEES* table of the *HR* schema. This is because *SYSTEM* is automatically granted the *DBA* role, which includes the `SELECT ANY TABLE` system privilege.

Step 3: Create a Realm

Realms can protect one or more schemas, individual schema objects, and database roles. Once you create a realm, you can create security restrictions that apply to the schemas and their schema objects within the realm. Your first step is to create a realm for the *HR* schema.

1. In the Realms page of Oracle Database Vault Administrator, click **Create**.
2. In the Create Realm page, under General, enter *HR Realm* after **Name**.
3. After Status, ensure that **Enabled** is selected so that the realm can be used.
4. Under Audit Options, ensure that **Audit On Failure** is selected so that you can create an audit trail later on.
5. Click **OK**.

The Realms Summary page appears, with *HR Realm* in the list of realms.

Step 4: Secure the EMPLOYEES Table in the HR Schema

At this stage, you are ready to add the *EMPLOYEES* table in the *HR* schema to the secured objects of the *HR* realm.

1. In the Realms page, select **HR Realm** from the list and then click **Edit**.
2. In the Edit Realm: *HR Realm* page, scroll to Realm Secured Objects and then click **Create**.
3. In the Create Realm Secured Object page, enter the following settings:
 - **Object Owner:** Select *HR* from the list.
 - **Object Type:** Select **TABLE** from the list.
 - **Object Name:** Enter *EMPLOYEES*.
4. Click **OK**.
5. In the Edit Realm: *HR Realm* page, click **OK**.

Step 5: Create an Authorization for the Realm

At this stage, there are no database accounts or roles authorized to access or otherwise manipulate the database objects the realm will protect. So, the next step is to authorize database accounts or database roles so that they can have access to the schemas within the realm. You will create the *SEBASTIAN* user account. After you authorize him for the realm, *SEBASTIAN* can view and modify the *EMPLOYEES* table.

1. In *SQL*Plus*, connect as the Database Vault Account Manager, who has the *DV_ACCTMGR* role, and create user *SEBASTIAN*.

For example:

```
CONNECT amalcolm_dvacctmgr
Enter password: password
```

```
CREATE USER SEBASTIAN IDENTIFIED BY password;
```

Replace *password* with a password that is secure.

2. Connect as SYSTEM privilege, and then grant SEBASTIAN the following additional privileges.

```
CONNECT SYSTEM
Enter password: password
```

```
GRANT CREATE SESSION, SELECT ANY TABLE TO SEBASTIAN;
```

Do not exit SQL*Plus; you will need it for [Step 6: Test the Realm](#), when you test the realm.

At this stage, even though SEBASTIAN has the SELECT ANY TABLE privilege, he cannot select from the HR.EMPLOYEES table because it is protected by a realm.

Next, authorize user SEBASTIAN to have access to the HR Realm as follows:

1. In the Realms page of Database Vault Administrator, select the **HR Realm** in the list of realms, and then click **Edit**.
2. In the Edit Realm: HR Realm page, scroll down to Realm Authorizations and then click **Create**.
3. In the Create Realm Authorization page, under Grantee, select **SEBASTIAN[USER]** from the list.

If SEBASTIAN does not appear in the list, select the **Refresh** button in your browser.

SEBASTIAN will be the only user who will have access to the EMPLOYEES table in the HR schema.

4. Under Authorization Type, select **Participant**.

The Participant authorization allows the user SEBASTIAN in the HR realm to manage access, manipulate, and create objects protected by the HR realm. In this case, the HR user and SEBASTIAN are the only users allowed to view the EMPLOYEES table.

5. Under Authorization Rule Set, select **<Not Assigned>**, because rule sets are not needed to govern this realm.
6. Click **OK**.

Step 6: Test the Realm

To test the realm, try accessing the EMPLOYEES table as a user other than HR. The SYSTEM account normally has access to all objects in the HR schema, but now that you have safeguarded the EMPLOYEES table with Oracle Database Vault, this is no longer the case.

In SQL*Plus, connect as SYSTEM, and then try accessing the salary information in the EMPLOYEES table again:

```
sqlplus system
Enter password: password
```

```
SELECT FIRST_NAME, LAST_NAME, SALARY FROM HR.EMPLOYEES WHERE ROWNUM <10;
```

The following output should appear:

```
Error at line 1:
ORA-01031: insufficient privileges
```

SYSTEM no longer has access to the salary information in the EMPLOYEES table. However, user SEBASTIAN does have access to this information. Try the following:

```
CONNECT SEBASTIAN
Enter password: password
```

```
SELECT FIRST_NAME, LAST_NAME, SALARY FROM HR.EMPLOYEES WHERE ROWNUM <10;
```

Output similar to the following appears:

FIRST_NAME	LAST_NAME	SALARY
Donald	OConnell	2600
Douglas	Grant	2600
Jennifer	Whalen	4400
Michael	Hartstein	13000
Pat	Fay	6000
Susan	Mavris	6500
Hermann	Baer	10000
Shelley	Higgins	12000
William	Gietz	8300

```
9 rows selected.
```

Step 7: Run a Report

Because you enabled auditing on failure for the HR Realm, you can generate a report to find any security violations such as the one you attempted in [Step 6: Test the Realm](#).

1. In the Oracle Database Vault Administrator home page, click **Database Vault Reports**.

Before you can run the report, you must log in using an account that has the DV_OWNER, DV_ADMIN, or DV_SECANALYST role. Note that user SEBASTIAN cannot run the report, even if it affects his own realm. "[Oracle Database Vault Roles](#)" on page 11-2 describes these roles in detail. Currently, you should be logged in as the Database Vault Owner (DV_OWNER) account.

2. In the Database Vault Reports page, scroll down to Database Vault Auditing Reports and select **Realm Audit**.
3. Click **Run Report**.

Oracle Database Vault generates a report listing the type of violation (in this case, the SELECT statement entered in the previous section), when and where it occurred, the login account who tried the violation, and what the violation was.

Step 8: Remove the Components for This Tutorial

1. Remove the SYSTEM account from the Data Dictionary Realm.
 - a. Ensure that you are logged on to Oracle Database Vault Administrator using a database account that has been granted the DV_OWNER role.
 - b. From the Administration page, select **Realms**.
 - c. From the list of realms, select Oracle Data Dictionary, and then click **Edit**.

- d. Under Realm Authorizations, select `SYSTEM`.
 - e. Click **Remove**, and in the Confirmation window, click **Yes**.
 2. Delete the HR Realm.
 - a. In the Realms page, select HR Realm from the list of realms.
 - b. Click **Remove**, and in the Confirmation window, click **Yes**.

3. Drop user `SEBASTIAN`.

In SQL*Plus, log on as the Oracle Database Vault account manager (for example, `amalcolm_dvacctmgr`) you created when you installed Oracle Database Vault, and then drop `SEBASTIAN` as follows:

```
sqlplus amalcolm_dvacctmgr  
Enter password: password
```

```
DROP USER SEBASTIAN;
```

4. If necessary, lock and expire the HR account.

```
ALTER USER HR ACCOUNT LOCK PASSWORD EXPIRE;
```

Configuring Realms

This chapter contains:

- [What Are Realms?](#)
- [Default Realms](#)
- [Creating a Realm](#)
- [Editing a Realm](#)
- [Creating Realm-Secured Objects](#)
- [Defining Realm Authorization](#)
- [Disabling and Enabling a Realm](#)
- [Deleting a Realm](#)
- [How Realms Work](#)
- [How Authorizations Work in a Realm](#)
- [Example of How Realms Work](#)
- [How Realms Affect Other Oracle Database Vault Components](#)
- [Guidelines for Designing Realms](#)
- [How Realms Affect Performance](#)
- [Related Reports and Data Dictionary Views](#)

What Are Realms?

A **realm** is a functional grouping of database schemas and roles that must be secured for a given application. Think of a realm as zone of protection for your database objects. A **schema** is a logical collection of database objects such as tables, views, and packages, and a **role** is a collection of privileges. By classifying schemas and roles into functional groups, you can control the ability to use system privileges against these groups and prevent unauthorized data access by the DBA or other powerful users with system privileges. Oracle Database Vault does not replace the discretionary access control model in the existing Oracle database. It functions as a layer on top of this model for both realms and command rules.

After you create a realm, you can register a set of schema objects or roles (secured objects) for realm protection and authorize a set of users or roles to access the secured objects.

For example, after you install Oracle Database Vault, you can create a realm to protect all existing database schemas that are used in an accounting department. The realm

prohibits any user who is not authorized to the realm to use system privileges to access the secured accounting data.

You can run reports on realms that you create in Oracle Database Vault. See ["Related Reports and Data Dictionary Views"](#) on page 4-13 for more information.

This chapter explains how to configure realms by using Oracle Database Vault Administrator. To configure realms by using the PL/SQL interfaces and packages provided by Oracle Database Vault, refer to the following chapters:

- [Chapter 12, "Using the DBMS_MACADM Package"](#)
- [Chapter 15, "Using the Oracle Database Vault PL/SQL Interfaces"](#)

Default Realms

Oracle Database Vault provides the following default realms:

- **Database Vault Account Management:** Defines the realm for the administrators who manage and create database accounts and database profiles.
- **Oracle Data Dictionary:** Defines the realm for the following Oracle Catalog schemas.

ANONYMOUS	DBSNMP	OLAPSYS
BI	EXFSYS	OUTLN
CTXSYS	MDDATA	SYS

This realm also controls the ability to grant system privileges and database administrator roles.

- **Oracle Database Vault:** Defines the realm for the Oracle Database Vault schemas (DVSYS, DVF, and LBACSYS), such as configuration and roles information.
- **Oracle Enterprise Manager:** Defines the realm for Oracle Enterprise Manager accounts (SYSMAN and DBSNMP) to access database information

Creating a Realm

In general, to enable realm protection, you first create the realm itself, and then you edit the realm to include realm secured objects, roles, and authorizations. ["Guidelines for Designing Realms"](#) on page 4-11 provides advice on creating realms.

To create a realm:

1. Log in to Oracle Database Vault Administrator as a user who has been granted the DV_OWNER or DV_ADMIN role.
["Starting Oracle Database Vault Administrator"](#) on page 3-1 explains how to log in.
2. In the Administration page, under Database Vault Feature Administration, click **Realms**.
3. In the Realms page, click **Create**.
4. In the Create Realm page, enter the following settings:
 - Under General:
 - **Name:** Enter a name for the realm. It can contain up to 90 characters in mixed-case. This attribute is mandatory.

Oracle suggests that you use the name of the protected application as the realm name (for example, `hr_app` for an human resources application).

- **Description:** Enter a brief description of the realm. The description can contain up to 1024 characters in mixed-case. This attribute is optional.

You may want to include a description the business objective of the given application protection and document all other security policies that compliment the realm's protection. Also document who is authorized to the realm, for what purpose, and any possible emergency authorizations.

- **Status:** Select either **Enabled** or **Disabled** to enable or disable the realm. A realm is enabled by default. This attribute is mandatory.

- Under Audit Options, select one of the following:

- **Audit Disabled:** Does not create an audit record.
- **Audit On Failure:** Default. Creates an audit record when a realm violation occurs (for example, when an unauthorized user tries to modify an object that is protected by the realm).
- **Audit On Success or Failure:** Creates an audit record for any activity that occurs in the realm, including both authorized and unauthorized activities.

For additional audit options, see "[CREATE_REALM Procedure](#)" on page 12-4.

Oracle Database Vault writes the audit trail to the `DVSYSAUDIT_TRAIL$` system file, described in [Appendix A, "Auditing Oracle Database Vault."](#)

5. Click **OK**.

The Realms Summary page appears, listing the new realm that you created.

After you create a new realm, you are ready to add schema and database objects to the realm for realm protection, and to authorize users and roles to access the realm. To do so, you edit the new realm and then add its objects and its authorized users.

See Also:

- "[Editing a Realm](#)" on page 4-3
- "[Creating Realm-Secured Objects](#)" on page 4-4
- "[Defining Realm Authorization](#)" on page 4-5

Editing a Realm

To edit a realm:

1. In the Oracle Database Vault Administration page, select **Realms**.
2. In the Realm page, select the realm that you want to edit.
3. Click **Edit**.
4. Modify the realm as necessary, and then click **OK**.

See Also:

- ["Creating a Realm"](#) on page 4-2 to modify the settings created for a new realm
- ["Creating Realm-Secured Objects"](#) on page 4-4 to add or modify realm secured objects
- ["Defining Realm Authorization"](#) on page 4-5 to add or modify the realm authorizations

Creating Realm-Secured Objects

Realm-secured objects define the *territory* that a realm protects. The realm territory is a set of schema and database objects and roles. You can create the following types of protections:

- Objects from multiple database accounts or schemas can be under the same realm.
- One object can belong to multiple realms.

If an object belongs to multiple realms, then Oracle Database Vault checks the realms for permissions. For `SELECT`, `DDL`, and `DML` statements, as long as a user is a participant in one of the realms, and if the command rules permit it, the commands the user enters are allowed. For `GRANT` and `REVOKE` operations of a database role in multiple realms, the person performing the `GRANT` or `REVOKE` operation must be the realm owner.

You can manage the objects secured by a realm from the Edit Realm page, which lets you create, edit, and delete realm secured objects.

To create a realm secured object:

1. In the Oracle Database Vault Administration page, select **Realms**.
2. In the Realms page, select the realm you want, and then select **Edit**.
3. In the Edit Realm page, under Realm Secured Objects, do one of the following:
 - To create a new realm-secured object, select **Create**.
 - To modify an existing object, select it from the list and then select **Edit**.
4. In the Create Realm Secured Object page, enter the following settings:

- **Object Owner:** From the list, select the name of the database schema owner. This attribute is mandatory.

If you are creating a realm around the `AUD$` system table, then specify `SYSTEM` as the object owner. In an Oracle Database Vault environment, the `AUD$` table is moved to the `SYSTEM` schema.

- **Object Type:** From the list, select the object type of the database object, such as `TABLE`, `INDEX`, or `ROLE`. This attribute is mandatory.

By default, the **Object Type** box contains the % wildcard character to include all object types for the specified **Object Owner**. However, it does not include roles, which do not have specific schema owners in the database and must be specified explicitly.

- **Object Name:** Enter the name of the object in the database that the realm must protect, or enter % to specify all objects (except roles) for the object owner that you have specified. However, you cannot use wildcard characters with text such to specify multiple object names (for example, `EMP_%`) to specify all tables

beginning with the characters `EMP_`. Nor can you use the wildcard character to select multiple roles; you must enter role names individually. This attribute is mandatory.

By default, the **Object Name** field contains the % wildcard character to encompass the entire schema specified for **Object Type** and **Object Owner**. Note that the % wildcard character applies to objects that do not yet exist and currently existing objects. Note also that the % wildcard character does not apply to roles. If you want to include multiple roles, you must specify each role separately.

5. Click **OK**.

For example, to secure the `EMPLOYEES` table in the `HR` schema, you would enter the following settings in the Create Realm Secured Object page:

- **Object Owner:** `HR`
- **Object Type:** `TABLE`
- **Object Name:** `EMPLOYEES`

Editing a Realm-Secured Object

To edit a realm-secured object:

1. Select the object under Realm Secured Objects in the Edit Realm page.
2. Click **Edit**.
3. In the Edit Realm Secured Object page, edit the attributes as required.
4. Click **OK**.

Deleting a Realm-Secured Object

To delete a realm-secured object:

1. Select the object under Realm Secured Objects in the Edit Realm page.
2. Click **Remove**.

A confirmation page is displayed.

3. Click **Yes**.

This dissociates the object from the realm and unsecures it. (The regular database protections still apply.) However, it does not remove the object from the database.

Defining Realm Authorization

Realm authorizations establish the set of database accounts and roles that manage or access objects protected in realms. A realm authorization can be an account or role that is authorized to use its system privileges in the following situations:

- When the user must create or access realm-secured objects
- When a user must grant or revoke realm-secured roles

A user who has been granted realm authorization as either a realm owner or a realm participant can use its system privileges to access secured objects in the realm.

Note the following:

- The authorization that you set up here does not affect regular users who have normal direct object privileges to the database objects that are protected by realms.

- Realm owners cannot add other users to their realms as owners or participants. Only users who have the `DV_OWNER` or `DV_ADMIN` role are allowed to add users as owners or participants to a realm.
- A realm owner, but not a realm participant, can grant or revoke realm secured database roles to anyone.
- A user can be granted either as a realm owner or a realm participant, but not both. However, you can update the authorization options of a realm authorization.

Use the Edit Realm page to manage realm authorizations. You can create, edit, and remove realm authorizations. To track configuration information for the authorization of a realm, see "[Realm Authorization Configuration Issues Report](#)" on page 17-3.

To create a realm authorization:

1. In the Oracle Database Vault Administration page, select **Realms**.
2. In the Realms page, select the realm you want, and then select **Edit**.
3. In the Edit Realm page, under Realm Authorizations, do one of the following:
 - To create a new realm authorization, select **Create**.
 - To modify an existing realm authorization, select it from the list and then select **Edit**.
4. Click **Create** under Realm Authorizations in the Edit Realm page.
5. In the Create Realm Authorization page, enter the following settings:
 - **Grantee:** From the list, select the Oracle database account or role to whom you want to grant the realm authorization. This attribute is mandatory.

This list shows all accounts and roles in the system, not just accounts with system privileges.

You cannot select yourself (that is, the user logged in) or any account that has been granted the `DV_ADMIN`, `DV_OWNER`, or `DV_SECANALYST` roles from this list.
 - **Authorization Type:** Select either of the following. This attribute is mandatory.
 - **Participant:** Default. This account or role provides system or direct privileges to access, manipulate, and create objects protected by the realm, provided these rights have been granted using the standard Oracle Database privilege grant process. A realm can have multiple participants.
 - **Owner:** This account or role has the same privileges as the realm participant, plus the authorization to grant or revoke realm-secured database roles. The realm owner can grant privileges on realm-protected objects to other users. A realm can have multiple owners.
 - **Authorization Rule Set:** Select from the available rule sets that have been created for your site. You can select only one rule set, but the rule set can have multiple rules.

See "[Creating a Rule to Add to a Rule Set](#)" on page 5-5 for more information about defining rules to govern the realm authorization.

Any auditing and custom event handling associated with the rule set occurs as part of the realm authorization processing.
6. Click **OK**.

Editing a Realm Authorization

To edit a realm authorization:

1. Select the realm authorization under Realm Authorizations in the Edit Realm page.
2. Click **Edit**.
The Edit Realm Authorization page is displayed.
3. Edit the attributes as required.
4. Click **OK**.

Deleting a Realm Authorization

To delete a realm authorization:

1. Select the realm authorization under Realm Authorizations in the Edit Realm page.
2. Click **Remove**.
A confirmation page is displayed.
3. Click **Yes**.

Disabling and Enabling a Realm

By default, when you create a realm, it is enabled. You can disable a realm (for example, for system maintenance such as patch updates) and then enable it again afterward.

To disable or enable a realm:

1. In the Oracle Database Vault Administration page, select **Realms**.
2. In the Realms page, select the realm you want to disable or enable, and then select **Edit**.
3. In the Edit Realm page, under Status in the General section, select either **Disabled** or **Enabled**.
4. Click **OK**.

Deleting a Realm

Before you delete a realm, you can locate the various references to it by querying the realm-related Oracle Database Vault views. See "[Oracle Database Vault Data Dictionary Views](#)" on page 11-10 for more information.

To delete a realm:

1. In the Oracle Database Vault Administration page, select **Realms**.
2. In the Realms page, select the realm you want to delete, and then select **Remove**.
3. In the Confirmation page, click **Yes**.

Oracle Database Vault deletes the configuration for a realm (header, secure objects, and authorizations). It does not delete the rule sets within the realm.

How Realms Work

When a database account that has the appropriate privileges issues a SQL statement (that is, DDL, DML, EXECUTE, GRANT, REVOKE, or SELECT) that affects an object within a customer-defined realm, the following actions occur:

1. Is the database account using a DDL object privilege to execute the SQL statement?

If yes, then go to Step 2. If no, then go to Step 6. If the session has object privileges on the object in question for SELECT, EXECUTE, and DML only, then the realm protection is not enforced. Realms protect against the use of any system privilege on objects or roles protected by the realm.

Remember that if the `O7_DICTIONARY_ACCESSIBILITY` initialization parameter has been set to `TRUE`, then non-SYS users have access to SYS schema objects. For better security, ensure that `O7_DICTIONARY_ACCESSIBILITY` is set to `FALSE`.

2. Does the SQL statement affect objects secured by a realm?

If yes, then go to Step 3. If no, then realms do not affect the SQL statement; go to Step 6. If the object affected by the command is not secured in any realms, then realms do not affect the SQL statement being attempted.

3. Is the database account a realm owner or realm participant?

If yes, and if the command is a GRANT or REVOKE of a role that is protected by the realm, or the GRANT or REVOKE of an object privilege on an object protected by the realm, the session must be authorized as the realm owner directly or indirectly through roles. Remember that a role protected by realm is not the same as an authorized role in the realm. Then go to Step 4. Otherwise, realm violation occurs and the statement is not allowed to succeed. Note that SYS is the only realm owner in the default Oracle Data Dictionary Realm, and only SYS can grant system privileges to a database account or role.

4. Is the realm authorization for the database account conditionally based on a rule set?

If yes, then go to Step 5. If no, then go to Step 6.

5. Does the rule set evaluate to true?

If yes, then go to Step 6. If no, then there is a realm violation, so the SQL statement is not allowed to succeed.

6. Does a command rule prevent the command from executing?

If yes, then there is a command rule violation and the SQL statement fails. If no, there is no realm or command rule violation, so the command succeeds.

For example, the HR account may have the `DROP ANY TABLE` privilege and may be the owner of the HR realm, but a command rule can prevent HR from dropping any tables in the HR schema unless it is during its monthly maintenance window.

Command rules apply to the use of the ANY system privileges and direct object privileges and are evaluated after the realm checks.

In addition, because a session is authorized in a realm, it does not mean the account has full control on objects protected by the realm. Realm authorization does *not* implicitly grant extra privileges to the account. The account still must have system privileges or object privileges to access the objects. For example, an account or role may have the `SELECT ANY table` privilege and be a participant in the HR realm. This means the account or the account granted the role could query the `HR.EMPLOYEES` table. Being a participant in the realm does not mean the account or role can DROP the

HR.EMPLOYEES table. Oracle Database Vault does not replace the discretionary access control model in the existing Oracle database. It functions as a layer on top of this model for both realms and command rules.

Note the following:

- For invoker's right procedures that access realm protected objects, the invoker of the procedure must be authorized to the realm.
- The execution of PL/SQL procedures that are owned by SYS are subject to the Oracle Data Dictionary realm enforcement. (The Oracle Data Dictionary realm is one of the default realms provided by Oracle Database Vault. See ["Default Realms"](#) on page 4-2 for more information.) However, the session must have EXECUTE privilege on the procedure as normally required in the Oracle database.
- Java stored procedures are not protected by a realm, but the data objects that a Java stored procedure accesses can be protected by the realm. You should create the Java stored procedure with invoker's rights so that someone who is really authorized can see the protected data.
- Be aware that realm protection does not protect a table if access to the table has been granted to PUBLIC. For example, if SELECT ON table_name is granted to PUBLIC, then every user has access to table_name, even if this table is protected by a realm. As a best practice, revoke unnecessary privileges from PUBLIC.

How Authorizations Work in a Realm

Realms protect data from access through system privileges; realms do not give additional privileges to its owner or participants. The realm authorization provides a run-time mechanism to check logically if a user's command is allowed to access objects specified in the command and to proceed with its execution.

System privileges are sweeping database privileges such as CREATE ANY TABLE and DELETE ANY TABLE. These privileges typically apply across schemas and bypass the need for direct privileges. Data dictionary views such as DBA_SYS_PRIVS, USER_SYS_PRIVS, and ROLE_SYS_PRIVS list the system privileges for database accounts and roles. Database authorizations work normally for objects not protected by a realm. However, a user must be authorized as a realm owner or participant to successfully use his or her system privileges on objects secured by the realm. A realm violation prevents the use of system privileges and can be audited.

[Example 4-1](#) shows what happens when an unauthorized user who has the CREATE ANY TABLE system privilege tries to create a table in a realm where the HR schema is protected by a realm.

Example 4-1 Unauthorized User Trying to Create a Table

```
CREATE TABLE HR.demo2 (col1 NUMBER(1));
```

The following output should appear

```
ERROR at line 1:
ORA-00604: error occurred at recursive SQL level 1
ORA-20401: Realm Violation on table HR.DEMO2
ORA-06512: at "DVSYS.AUTHORIZE_EVENT", line 35
ORA-06512: at line 13
```

As you can see, the attempt by the unauthorized user fails. Unauthorized use of system privileges such as SELECT ANY TABLE, CREATE ANY TABLE, DELETE ANY TABLE,

UPDATE ANY TABLE, INSERT ANY TABLE, CREATE ANY INDEX, and others results in failure.

[Example 4-2](#) shows what happens when an unauthorized database account tries to use his DELETE ANY TABLE system privilege to delete an existing record, the database session returns the following error.

Example 4-2 Unauthorized User Trying to Use the DELETE ANY TABLE Privilege

```
DELETE FROM HR.employees WHERE empno = 8002;
```

The following output should appear:

```
ERROR at line 1:  
ORA-01031: insufficient privileges
```

Realms do not affect direct privileges on objects. For example, a user granted delete privileges to the HR.EMPLOYEES table can successfully delete records without requiring realm authorizations. Therefore, realms should minimally affect normal business application usage for database accounts.

[Example 4-3](#) shows how an authorized user can perform standard tasks allowed within the realm.

Example 4-3 Authorized User Performing DELETE Operation

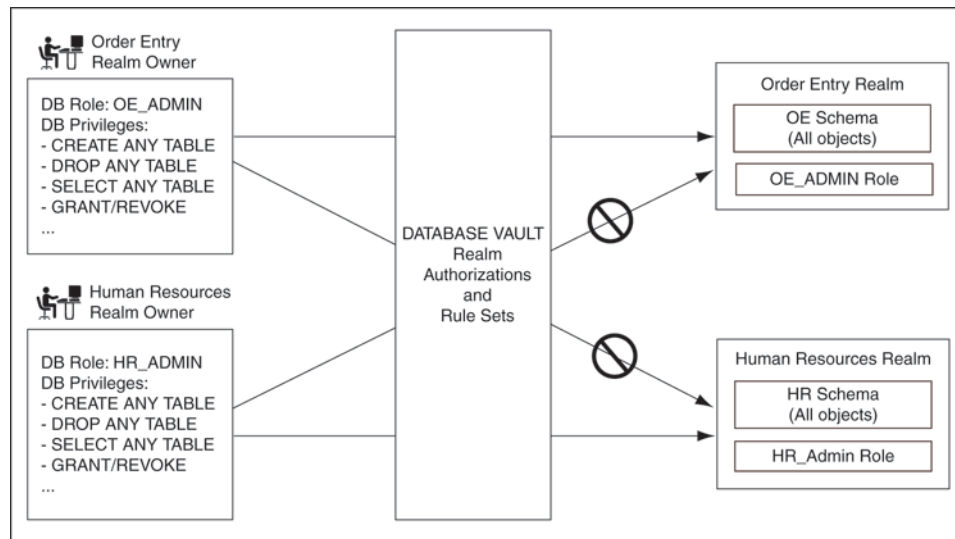
```
DELETE FROM HR.employees WHERE empno = 8002;
```

```
1 row deleted.
```

Example of How Realms Work

[Figure 4-1](#) illustrates how data within a realm is protected. In this scenario, two users, each in charge of a different realm, have the same system privileges. The owner of a realm can be either a database account or a database role. As such, each of the two roles, OE_ADMIN and HR_ADMIN, can be protected by a realm as a secured object *and* be configured as the owner of a realm.

Further, only a realm owner, such as OE_ADMIN, can grant or revoke database roles that are protected by the realm. The realm owner cannot manage roles protected by other realms such as the DBA role created by SYS in the Oracle Data Dictionary realm. Any unauthorized attempt to use a system privilege to access realm-protected objects raises a realm violation, which can be audited. The powers of each realm owner are limited within the realm itself. For example, OE_ADMIN has no access to the Human Resources realm, and HR_ADMIN has no access to the Order Entry realm.

Figure 4–1 How Authorizations Work for Realms and Realm Owners

See Also: ["Quick Start Tutorial: Securing a Schema from DBA Access"](#) on page 3-6 for a tutorial on how to create and use a realm

How Realms Affect Other Oracle Database Vault Components

Realms have no effect on factors, identities, or rule sets. They have an effect on command rules, in a sense, in that Oracle Database Vault evaluates the realm authorization first when processing SQL statements.

"[How Realms Work](#)" on page 4-8 explains the steps that Oracle Database Vault takes to process SQL statements that affect objects in a realm. "[How Command Rules Work](#)" on page 6-5 describes how command rules are processed.

Guidelines for Designing Realms

Follow these guidelines when designing realms:

- Create realms based on the schemas and roles that form a database application.

Define database roles with the minimum and specific roles and system privileges required to maintain the application objects and grant the role to named accounts. You then can add the role as an authorized member of the realm. For object-level privileges on objects protected by the realm and required by an application, create a role and grant these minimum and specific object-level privileges to the role, and then grant named accounts this role. In most cases, these types of roles do not need to be authorized in the realm unless *ANY*-style system privileges are already in use. A model using the principle of least privilege is ideal for any database application.
- A database object can belong to multiple realms and an account or role can be authorized in multiple realms.

To provide limited access to a subset of a database schema (for example, just the `EMPLOYEES` table in the HR schema, or roles protected by a realm) create a new realm with just the minimum required objects and authorizations.

- If you want to add a role to a realm as a grantee, create a realm to protect the role. Doing so prevents users who have been granted the `GRANT ANY ROLE` system privilege, such as the `SYSTEM` user account, from granting the role to themselves.
- If you want to add the `SYS` user account to a realm authorization, you must add user `SYS` explicitly and not through a role (such as the `DBA` role).
- Be mindful of the privileges currently allowed to a role that you plan to add as a realm authorization.

Realm authorization of a role can be accidentally granted and not readily apparent if an account such as `SYS` or `SYSTEM` creates a role for the first time and the Oracle Database Vault administrator adds this role as a realm authorization. This is because the account that creates a role is implicitly granted the role when it is created.

- Sometimes you must temporarily relax realm protections for an administrative task. Rather than disabling the realm, have the Security Manager (`DV_ADMIN` or `DV_OWNER`) log in, add the named account to the authorized accounts for the realm, and set the authorization rule set to Enabled. Then in the enabled rule set, turn on all auditing for the rule set. You can remove the realm authorization when the administrative task is complete.
- If you want to grant `ANY` privileges to new users, Oracle recommends that you add a database administrative user to the data dictionary realm so that this user can grant other users `ANY` privileges, if they need them. For example, using a named account to perform the `GRANT` of the `ANY` operations enables you to audit these operations, which creates an audit trail for accountability.
- Sometimes you must perform imports and exports of data protected by a realm (for example, when using Oracle Data Pump). As the realm owner, perform the following steps. Be sure to audit the import and export activity using the techniques described in this chapter, whenever possible.
 1. Add the account that will perform the imports and exports to the realm and assign it as the realm participant of the Oracle Data Dictionary realm. Have it use this status during the time frame of the data transfer, with a rule set governing the authorization that will perform the auditing.
 2. Add the account that will perform the imports and exports to be the realm participant of the realm protecting the data for the time frame of the data transfer with a rule set governing the authorization that will perform auditing.
 3. On import, if the schema accounts that contain the realm tables do not exist in the target database, grant the importing user the `DV_ACCTMGR` role for the time frame that the import will occur. When the import is complete, you can revoke the grant of the role.
- If you drop a table, index, or role that has been protected by a realm and then recreate it using the same name, the realm protection is not restored. You must re-create the realm protection for the new table, index, or role. However, you can automatically enforce protection for all future tables, indexes, and roles within a specified schema. For example, to enforce protection for all future tables:

```
BEGIN
  DBMS_MACADM.ADD_OBJECT_TO_REALM('realm_name', 'schema_name', '%', 'TABLE');
END;
/
```


How Realms Affect Performance

DDL and DML operations on realm-protected objects do not have a measurable effect on Oracle Database. Oracle recommends that you create the realm around the entire schema, and then authorize specific users to perform only specific operations related to their assigned tasks. For finer-grained control, you can define realms around individual tables and authorize users to perform certain operations on them, and also have a realm around the entire schema to protect the entire application. Be aware, however, that this type of configuration may slow performance, but it does enable you to grant realm authorization to some of the objects in a schema

Auditing affects performance. To achieve the best performance, Oracle recommends that you use fine-grained auditing rather than auditing all operations.

You can check the system performance by running tools such as Oracle Enterprise Manager (including Oracle Enterprise Manager Database Control, which is installed by default with Oracle Database), Statspack, and TKPROF. For more information about Oracle Enterprise Manager, see the Oracle Enterprise Manager documentation set. For information about Database Control, refer to its online Help. *Oracle Database Performance Tuning Guide* describes the Statspack and TKPROF utilities.

Related Reports and Data Dictionary Views

Table 4–1 lists Oracle Database Vault reports that are useful for analyzing realms. See Chapter 17, "Oracle Database Vault Reports" for information about how to run these reports.

Table 4–1 Reports Related to Realms

Report	Purpose
" Realm Audit Report " on page 17-4	Audits records generated by the realm protection and realm authorization operations
" Realm Authorization Configuration Issues Report " on page 17-3	Lists authorization configuration information, such as incomplete or disabled rule sets, or nonexistent grantees or owners that may affect the realm
" Rule Set Configuration Issues Report " on page 17-4	Lists rule sets that do not have rules defined or enabled, which may affect the realms that use them
" Object Privilege Reports " on page 17-5	Lists object privileges that the realm affects
" Privilege Management - Summary Reports " on page 17-9	Provides information about grantees and owners for a realm
" Sensitive Objects Reports " on page 17-7	Lists objects that the command rule affects

Table 4–2 lists data dictionary views that provide information about existing realms.

Table 4–2 Data Dictionary Views Used for Realms

Data Dictionary View	Description
" DBA_DV_REALM View " on page 11-20	Lists the realms created in the current database instance.
" DBA_DV_REALM_AUTH View " on page 11-20	lists the authorization of a named database user account or database role (GRANTEE) to access realm objects in a particular realm

Table 4–2 (Cont.) Data Dictionary Views Used for Realms

Data Dictionary View	Description
"DBA_DV_REALM_OBJECT View" on page 11-21	Lists the database schemas, or subsets of schemas with specific database objects contained therein, that are secured by the realms

Configuring Rule Sets

This chapter contains:

- [What Are Rule Sets?](#)
- [Default Rule Sets](#)
- [Creating a Rule Set](#)
- [Configuring or Editing a Rule Set](#)
- [Creating a Rule to Add to a Rule Set](#)
- [Deleting a Rule Set](#)
- [How Rule Sets Work](#)
- [Tutorial: Creating an Email Alert for Security Violations](#)
- [Tutorial: Configuring Two-Person Integrity, or Dual Key Security](#)
- [Guidelines for Designing Rule Sets](#)
- [How Rule Sets Affect Performance](#)
- [Related Reports and Data Dictionary Views](#)

What Are Rule Sets?

A **rule set** is a collection of one or more rules that you can associate with a realm authorization, factor assignment, command rule, or secure application role. The rule set evaluates to true or false based on the evaluation of each rule it contains and the evaluation type (*All True* or *Any True*). A rule within a rule set is a PL/SQL expression that evaluates to true or false. You can create a rule and add the rule to multiple rule sets.

You can use rule sets to accomplish the following activities:

- As a further restriction to realm authorization, to define the conditions under which realm authorization is active
- To define when to allow a command rule
- To enable a secure application role
- To define when to assign the identity of a factor

When you create a rule set, Oracle Database Vault makes it available for selection when you configure the authorization for a realm, command rule, factor, or secure application role.

You can run reports on the rule sets that you create in Oracle Database Vault. See ["Related Reports and Data Dictionary Views"](#) on page 5-18 for more information.

This chapter explains how to configure rule sets by using Oracle Database Vault Administrator. To configure rule sets by using the PL/SQL interfaces and packages provided by Oracle Database Vault, refer to the following chapters:

- [Chapter 12, "Using the DBMS_MACADM Package"](#)
- [Chapter 15, "Using the Oracle Database Vault PL/SQL Interfaces"](#)

Default Rule Sets

Oracle Database Vault provides a set of default rule sets that you can customize for your needs. The default rule sets are as follows:

- **Allow Sessions:** Controls the ability to create a session in the database. This rule set enables you to add rules to control database logins using the CONNECT command rule. The CONNECT command rule is useful to control or limit SYSDBA access to programs that require its use. This rule set is not populated.
- **Can Grant VPD Administration:** Controls the ability to grant the GRANT EXECUTE or REVOKE EXECUTE privileges on the Oracle Virtual Private Database DBMS_RLS package, with the GRANT and REVOKE statements.
- **Can Maintain Accounts/Profiles:** Controls the roles that manage user accounts and profiles, through the CREATE USER, DROP USER, CREATE PROFILE, ALTER PROFILE, or DROP PROFILE statements.
- **Can Maintain Own Account:** Allows the accounts with the DV_ACCTMGR role to manage user accounts and profiles with the ALTER USER statement. Also allows individual accounts to change their own password using the ALTER USER statement. See ["Oracle Database Vault Account Manager Role, DV_ACCTMGR"](#) on page 11-6 for more information about the DV_ACCTMGR role.
- **Disabled:** Convenience rule set to quickly disable security configurations like realms, command rules, factors, and secure application roles.
- **Enabled:** Convenience rule set to quickly enable system features.

Creating a Rule Set

In general, to create a rule set, you first create the rule set itself, and then you edit the rule set to associate it with one or more rules. You can associate a new rule with the rule set, add existing rules to the rule set, or delete a rule association from the rule set.

See also the following sections:

- ["Guidelines for Designing Rule Sets"](#) on page 5-17 for advice on designing rule sets
- ["Oracle Database Vault PL/SQL Rule Functions"](#) on page 15-13 for a set of functions that you can use in rule expressions
- ["Rule Set Configuration Issues Report"](#) on page 17-4 to check the configuration of the rule sets for your database

To create a rule set:

1. Log in to Oracle Database Vault Administrator as a user who has been granted the DV_OWNER or DV_ADMIN role.
["Starting Oracle Database Vault Administrator"](#) on page 3-1 explains how to log in.

2. In the Administration page, under Database Vault Feature Administration, click **Rule Sets**.
3. In the Rule Sets page, click **Create**.
4. In the Create Rule Set page, enter the following settings, and then click **OK**:
 - [General](#)
 - [Audit Options](#)
 - [Error Handling Options](#)

General

Enter the following settings:

- **Name:** Enter a name for the rule set. It can contain up to 90 characters in mixed-case. Spaces are allowed. This attribute is mandatory.

Oracle suggests that you start the name with a noun and complete it with the realm or command rule name to which the rule set is attached. For example:

`Limit SQL*Plus access`
- **Description:** Enter a description of the functionality for the rule set. It can have up to 1024 characters in mixed-case. This attribute is optional.

You may want to document the business requirement of the rule set. For example:

`Rule to limit access to SQL*Plus`
- **Status:** Select either **Enabled** or **Disabled** to enable or disable the rule set during run time. Rule sets are enabled by default. This attribute is mandatory.
- **Evaluation Options:** If you plan to assign multiple rules to a rule set, select one of the following settings:
 - **All True:** Default. All rules in the rule set must evaluate to true for the rule set itself to evaluate to true.
 - **Any True:** At least one rule in the rule set must evaluate to true for the rule set itself to evaluate to true.

Audit Options

Select from the following options to determine when an audit record is created for the rule set. Oracle Database Vault writes the audit trail to the `DVSYS.AUDIT_TRAIL$` system file, described in [Appendix A, "Auditing Oracle Database Vault."](#)

This attribute is mandatory. The settings are:

- **Audit Disabled:** Does not create an audit record under any circumstances.
- **Audit On Failure:** Default. Creates an audit record when the rule set evaluates to false or one of the associated rules contains an invalid PL/SQL expression.
- **Audit On Success or Failure:** Creates an audit record whenever a rule set is evaluated.

The Oracle Database Vault audit trail, written to the `DVSYS.AUDIT_TRAIL$` system table, contains the fields `RULE_SET_NAME` and `RULE_SET_ID`. These fields are populated when a rule set is associated with a realm authorization and a command authorization, and the rule set is configured to audit under some circumstances. See [Appendix A, "Auditing Oracle Database Vault,"](#) for more information.

Error Handling Options

Enter the following settings to control the messaging to the database session when the rule set evaluates to false or one of the associated rules contains an invalid PL/SQL expression:

- **Fail Options:** Select either **Show Error Message** (the default) or **Do Not Show Error Message**.

An advantage of selecting **Do Not Show Error Message** and then enabling auditing is that you can track the activities of a potential intruder. The audit report reveals the activities of the intruder, yet the intruder is unaware that you are doing this because he or she does not see any error messages.

- **Fail Code:** Enter a negative number in the range of -20000 to -20999. The error code is displayed with the **Fail Message** (created next) when the rule set evaluates to false or one of the associated rules contains an invalid PL/SQL expression. If you omit this setting, then Oracle Database Vault displays the following error code:

```
ORA-01031: Insufficient privileges
```

- **Fail Message:** Enter a message, up to 80 characters in mixed-case, to associate with the fail code you specified under **Fail Code**. The error message is displayed when the rule set evaluates to false or one of the associated rules contains an invalid PL/SQL expression. If you do not specify an error message, then Oracle Database Vault displays a generic error message.
- **Custom Event Handler Option:** Select one of the following options to determine when to run the **Custom Event Handler Logic** (created next).
 - **Handler Disabled:** Default. Does not run any custom event method.
 - **Execute On Failure:** Runs the custom event method when the rule set evaluates to false or one of the associated rules contains an invalid PL/SQL expression.
 - **Execute On Success:** Runs the custom event method when the rule set evaluates to true.

You can create a custom event method to provide special processing outside the standard Oracle Database Vault rule set auditing features. For example, you can use an event handler to initiate a workflow process or send event information to an external system.

- **Custom Event Handler Logic:** Enter a PL/SQL expression up to 255 characters in mixed-case. An expression may include any package procedure or standalone procedure. You can create your own expression or use the PL/SQL interfaces described in [Chapter 15, "Using the Oracle Database Vault PL/SQL Interfaces"](#).

Write the expression as a fully qualified procedure (such as *schema.procedure_name*). Do not include complete SQL statements. If you are using application package procedures or standalone procedures, you must provide DVSYS with the EXECUTE privilege on the object. The procedure signature can be in one of the following two forms:

- `PROCEDURE my_ruleset_handler(p_ruleset_name IN VARCHAR2, p_ruleset_rules IN BOOLEAN):` Use this form when the name of the rule set and its return value are required in the handler processing.
- `PROCEDURE my_ruleset_handler:` Use this form when the name of the rule set and its return value are not required in the handler processing.

When you define the expression in the user interface that uses one of these two formats, put the expression in the following form:

```
myschema.my_ruleset_handler
```

After you create a rule set, you are ready to create rules to attach to the rule set. To do so, you edit the new rule set, and then define its rules.

See Also:

- ["Configuring or Editing a Rule Set"](#) on page 5-5
- ["Creating a Rule to Add to a Rule Set"](#) on page 5-5

Configuring or Editing a Rule Set

To configure or edit a rule set:

1. In the Oracle Database Vault Administration page, select **Rule Sets**.
2. In the Rule Set page, select the rule set that you want to edit.
3. Click **Edit**.
4. Modify the rule set as necessary, and then click **OK**.

See Also:

- ["Creating a Rule Set"](#) on page 5-2 to modify the settings created for a new rule set
- [Creating a Rule to Add to a Rule Set](#) on page 5-5 to add or modify rule for the rule set

Creating a Rule to Add to a Rule Set

After you create a new rule set, you can associate it with one or more rules. When you create a new rule, it is automatically added to the current rule set. You also can add existing rules to the rule set. Alternatively, you can omit adding rules to the rule set and use it as a template for rule sets you may want to create in the future.

The rule set evaluation depends on the evaluation of its rules using the Evaluation Options (**All True** or **Any True**). If a rule set is disabled, Oracle Database Vault evaluates the rule set to true without evaluating its rules.

See ["How Rule Sets Work"](#) on page 5-8 for information on how rules are evaluated, how to nest rules, and how to create rules that exclude a particular user, such as a privileged user.

Creating a New Rule

To create and add a rule to a rule set:

1. In the Oracle Database Vault Administration page, select **Rule Sets**.
2. In the Rule Sets page, select the rule set to which you want to create and add a rule, and then select **Edit**.
3. In the Edit Rule Set Page, scroll down to Rules Associated To The Rule Set and select **Create**.
4. In the Create Rule page, enter the following settings:

- **Name:** Enter a name for the rule. Use up to 90 characters in mixed-case.

Oracle suggests that you start the name with a verb and complete the name with the purpose of the rule. For example:

```
Prevent non-admin access to SQL*Plus
```

Because rules do not have a **Description** field, make the name explicit but be sure to not exceed over 90 characters.

- **Rule Expression:** Enter a PL/SQL expression that fits the following requirements:

- It is valid in a SQL WHERE clause.
- It can be a freestanding and valid PL/SQL Boolean expression such as the following:

```
TO_CHAR(SYSDATE, 'HH24') = '12'
```

- It must evaluate to a Boolean (TRUE or FALSE) value.
- It must be no more than 255 characters long.
- It can contain existing and compiled PL/SQL functions from the current database instance. Ensure that these are fully qualified functions (such as *schema.function_name*). Do not include complete SQL statements.

If you want to use application package functions or standalone functions, you must grant the DVSYS account the EXECUTE privilege on the function. Doing so reduces the chances of errors when you add new rules.

- Ensure that the rule works. You can test the syntax by running the following statement in SQL*Plus:

```
SELECT rule_expression FROM DUAL;
```

For example, suppose you have created the following the rule expression:

```
SYS_CONTEXT('USERENV', 'SESSION_USER') != 'TSMITH'
```

You could test this expression as follows:

```
SELECT SYS_CONTEXT('USERENV', 'SESSION_USER') FROM DUAL;
```

See the following sections for functions that you can use in the rule set expression:

- ["Oracle Database Vault PL/SQL Rule Functions"](#) on page 15-13
- [Chapter 12, "Using the DBMS_MACADM Package"](#)
- [Chapter 14, "Using the DBMS_MACUTL Package"](#)

For additional examples of expressions, see the rule defined in the rule sets provided with Oracle Database Vault. ["Default Rule Sets"](#) on page 5-2 lists these rule sets.

5. Click **OK**.

The Edit Rule Set page appears. By default, the new rule is added to the rule set.

Editing a Rule

The changes you make to a rule apply to all rule sets that include the rule.

To edit a rule:

1. In the Edit Rule Set page, scroll to Rules Associated To The Rule Set.
2. Select the rule you want to edit and click **Edit**.
3. In the Edit Rule page, modify the rule as necessary.
4. Click **OK**.

Removing a Rule from a Rule Set

Before you remove a rule from a rule set, you can locate the various references to it by querying the rules-related Oracle Database Vault views. See ["Oracle Database Vault Data Dictionary Views"](#) on page 11-10 for more information.

To remove a rule from a rule set:

1. In the Edit Rule Set page, scroll to Rules Associated To The Rule Set.
2. Select the rule you want to delete and click **Remove**.
3. In the Confirmation page, click **Yes**.

After you remove the rule from the rule set, it still exists. If you want, you can associate it with other rule sets. If you want to delete the rule, use the `DBMS_MACADM.DELETE_RULE` function, described in ["Rule Set Procedures Within DBMS_MACADM"](#) on page 12-10. For example, to delete the rule Night Shift, log in to SQL*Plus as the Database Vault Owner and enter the following statement:

```
EXEC DBMS_MACADM.DELETE_RULE('Night Shift');
```

Adding Existing Rules to a Rule Set

To add existing rules to a rule set:

1. In the Rule Sets page, select the rule set that you want to add rules to, and then select **Edit**.
2. Under Rules Associated To The Rule Set, select **Add Existing Rules**.
3. In the Add Existing Rules page, select the rules you want, and then click **Move** (or **Move All**, if you want all of them) to move them to the Selected Rules list.
You can select multiple rules by holding down the **Ctrl** key as you click each rule.
4. Click **OK**.

Deleting a Rule Set

Before you delete a rule set, you can locate the various references to it by querying the rules-related Oracle Database Vault views. See ["Oracle Database Vault Data Dictionary Views"](#) on page 11-10 for more information.

To delete a rule set:

1. If other Database Vault objects, such as command rules, reference the rule set, then remove the reference.
You can delete a rule set only if no other Database Vault objects are referencing it.
2. In the Oracle Database Vault Administration page, select **Rule Sets**.
3. In the Rule Set page, select the rule set that you want to remove.
4. Click **Remove**.
5. In the Confirmation page, click **Yes**.

The rule set is deleted. However, the rules associated with the rule set are not deleted.

How Rule Sets Work

This section describes how rule sets work in the following ways:

- [How Oracle Database Vault Evaluates Rules](#)
- [Nesting Rules Within a Rule Set](#)
- [Creating Rules to Apply to Everyone Except One User](#)

How Oracle Database Vault Evaluates Rules

Oracle Database Vault evaluates the rules within a rule set as a collection of expressions. If you have set **Evaluation Options** to **All True** and if a rule fails the evaluation, then the evaluation stops at that point, instead of attempting to evaluate the rest of the rules in the rule set. Similarly, if **Evaluation Options** is set to **Any True** and if a rule evaluates to true, the evaluation stops at that point. If a rule set is disabled, Oracle Database Vault evaluates it to true without evaluating its rules.

Nesting Rules Within a Rule Set

You can nest one or more rules within the rule set. For example, suppose you want to create a nested rule, *Is Corporate Network During Maintenance*, that performs the following two tasks:

- It limits table modifications only when the database session originates within the corporate network.
- It restricts table modifications during the system maintenance window scheduled between 10:00 p.m. and 10:59 p.m.

The rule definition would be as follows:

```
DVF.F$NETWORK = 'Corporate' AND TO_CHAR(SYSDATE, 'HH24') between '22' AND '23'
```

You can create it using a factor function. See "[Oracle Database Vault PL/SQL Factor Functions](#)" on page 15-5 for more information. [Chapter 7](#) explains how to create factors.

Creating Rules to Apply to Everyone Except One User

You can also create rules to apply to everyone *except* one user (for example, a privileged user). The rule definition for this type of rule can be as follows:

```
SYS_CONTEXT('USERENV', 'SESSION_USER') = 'SUPERADMIN_USER' OR additional_rule
```

If the current user is a privileged user, then the system evaluates the rule to true without evaluating *additional_rule*. If the current user is not a privileged user, then the evaluation of the rule depends on the evaluation of *additional_rule*.

Tutorial: Creating an Email Alert for Security Violations

This section contains:

- [About This Tutorial](#)
- [Step 1: Create an Email Security Alert PL/SQL Procedure](#)

- [Step 2: Create an Oracle Database Vault Rule Set That Uses the Email Security Alert](#)
- [Step 3: Test the Email Security Alert](#)
- [Step 4: Remove the Components for This Tutorial](#)

About This Tutorial

In the following tutorial, you create an email alert that is triggered when a user attempts to alter a table outside a maintenance period. In your rule set, In your rule set, you will a PL/SQL procedure that sends an email security alert if the rule is violated. To create the email security alert, you need to use the UTL_SMTP PL/SQL package.

Step 1: Create an Email Security Alert PL/SQL Procedure

1. Log in to SQL*Plus as SYS using the SYSDBA privilege, and then grant the EXECUTE privilege on the UTL_SMTP PL/SQL package to a user who has been granted the DV_OWNER role.

(Alternatively, you can select a user who has been granted the DV_ADMIN role, but for this tutorial, you will select a user who has the DV_OWNER role.)

For example:

```
sqlplus "SYS AS SYSDBA"
Enter password: password
```

```
GRANT EXECUTE ON UTL_SMTP TO lbrown_dvowner;
```

2. Connect as the Oracle Database Vault user who was granted the EXECUTE privilege on the UTL_SMTP package.

For example:

```
CONNECT lbrown_dvowner
Enter password: password
```

3. Create the following procedure:

```
CREATE OR REPLACE PROCEDURE email_alert AS
DECLARE
  c utl_smtp.connection;
msg varchar2(20000) := 'Realm violation for the ALTER TABLE Command Security
Policy. The time is: ';
  PROCEDURE send_header(name IN VARCHAR2, header IN VARCHAR2) AS
BEGIN
  utl_smtp.write_data(c, name || ': ' || header || utl_tcp.CRLF);
END;

BEGIN
  msg := msg||to_char(SYSDATE, 'Day DD MON, YYYY HH24:MI:SS');
  c := utl_smtp.open_connection('smtp-server.example.com');
  utl_smtp.helo(c, 'example.com');
  utl_smtp.mail(c, 'sender@example.com');
  utl_smtp.rcpt(c, 'recipient@example.com');
  utl_smtp.open_data(c);
  send_header('From',      '"Sender" <sender@example.com>');
  send_header('To',        '"Recipient" <recipient@example.com>');
  send_header('Subject',  'Tables are being modified!');
  utl_smtp.write_data(c, utl_tcp.CRLF || msg);
```

```

        utl_smtp.close_data(c);
        utl_smtp.quit(c);
EXCEPTION
    WHEN utl_smtp.transient_error OR utl_smtp.permanent_error THEN
        BEGIN
            utl_smtp.quit(c);
        EXCEPTION
            WHEN utl_smtp.transient_error OR utl_smtp.permanent_error THEN
                NULL; -- When the SMTP server is down or unavailable, we do not have
                    -- a connection to the server. The quit call will raise an
                    -- exception that we can ignore.
END email_alert;

```

Replace the following values:

- example.com: Replace with the domain of the local (sending) host.
 - sender@example.com: Replace with your email address.
 - recipient@example.com: Replace with the email address of your recipient.
4. Grant EXECUTE permissions on this procedure to DVSYS.

```
GRANT EXECUTE ON email_alert TO DVSYS;
```

Step 2: Create an Oracle Database Vault Rule Set That Uses the Email Security Alert

1. As the DV_OWNER user, create a rule set similar to the following:

```

BEGIN
    DBMS_MACADM.CREATE_RULE_SET(
        rule_set_name => 'ALTER TABLE Command Security Policy',
        description   => 'This rule set allows ALTER TABLE only during the
                        maintenance period.',
        enabled       => DBMS_MACUTL.G_YES,
        eval_options  => DBMS_MACUTL.G_RULESET_EVAL_ANY,
        audit_options => DBMS_MACUTL.G_RULESET_AUDIT_FAIL,,
        fail_options  => DBMS_MACUTL.G_RULESET_FAIL_SILENT,
        fail_message  => '',
        fail_code     => NULL,
        handler_options => DBMS_MACUTL.G_RULESET_HANDLER_FAIL,
        handler       => 'dbavowner.email_alert');
END;
/

```

For the handler setting, replace lbrown_dvowner with your DV_OWNER account name.

2. Create a rule similar to the following.

For now, create the rule during the time you will test it. For example, if you will test it between 2 p.m. and 3 p.m., create the rule as follows:

```

BEGIN
    DBMS_MACADM.CREATE_RULE(
        rule_name => 'Restrict Access to Maintenance Period',
        rule_expr => 'TO_CHAR(SYSDATE, 'HH24') BETWEEN '14' AND '15''');
END;
/

```

Ensure that you use two single quotation marks instead of double quotation marks for HH24, 14, and 15. You can double-check the system time on your computer by issuing the following SQL statement:

```
SELECT TO_CHAR(SYSDATE, 'HH24') FROM DUAL;

TO
--
14
```

Later on, when you are satisfied that the rule works, you can update for a time when your site typically performs maintenance work (for example, between 7 p.m. and 10 p.m) as follows:

```
BEGIN
  DBMS_MACADM.UPDATE_RULE(
    rule_name => 'Restrict Access to Maintenance Period',
    rule_expr => 'TO_CHAR(SYSDATE, 'HH24') BETWEEN ''19'' AND ''22''');
END;
/
```

3. Now add the rule to the rule set:

```
BEGIN
  DBMS_MACADM.ADD_RULE_TO_RULE_SET(
    rule_set_name => 'ALTER TABLE Command Security Policy',
    rule_name      => 'Restrict Access to Maintenance Period');
END;
/
```

4. Create the following command rule:

```
BEGIN
  DBMS_MACADM.CREATE_COMMAND_RULE(
    command          => 'ALTER TABLE',
    rule_set_name    => 'ALTER TABLE Command Security Policy',
    object_owner     => 'SCOTT',
    object_name      => '%',
    enabled          => DBMS_MACUTL.G_YES);
END;
/
```

5. Commit these updates to the database.

```
COMMIT;
```

Step 3: Test the Email Security Alert

1. Log on to SQL*Plus as a regular user, SCOTT.

For example:

```
sqlplus scott
Enter password: password
```

If the SCOTT account is locked and expired, a system administrator (for example, SYS or SYSTEM) can unlock this account and create a new password as follows:

```
ALTER USER SCOTT ACCOUNT UNLOCK IDENTIFIED BY password;
```

2. As the user SCOTT, create a test table.

```
CREATE TABLE my_test (col1 varchar2);
```

3. Change the system time on your computer to a time when the ALTER TABLE Command Security Policy rule set takes place (for example, between 2 p.m. and 3 p.m).

UNIX: Log in as root and use the `date` command to set the time. For example, assuming the date today is December 14, 2011, you would enter the following:

```
su root
Password: password

date --set="14 DEC 2011 14:00:00"
```

Windows: Double-click the clock icon, which is typically at the lower right corner of the screen. In the Date and Time Properties window, set the time to 2 p.m., and then click **OK**.

4. As user SCOTT, try altering the `my_test` table.

```
ALTER TABLE mytest ADD (col2 number);

Table altered.
```

SCOTT should be able to alter the `mytest` table during this time.

5. Reset the system time to a time outside the Restrict Access to Maintenance Period time.
6. As user SCOTT, try altering the `my_test` table again.

```
ALTER TABLE mytest ADD (col3 number);

ERROR at line 1:
ORA-00604: error occurred at recursive SQL level 1
ORA-47400: Command Rule violation for alter table on SCOTT.MYTEST
ORA-06512: at "DVSYS.AUTHORIZE_EVENT", line 55
ORA-06512: at line 31
```

SCOTT cannot alter this table, even though he owns it.

7. Reset the system time to the correct time.

Step 4: Remove the Components for This Tutorial

1. Connect to SQL*Plus as the DV_OWNER user, and then enter the following commands in the order shown to delete the rule set components.

```
EXEC DBMS_MACADM.DELETE_RULE_FROM_RULE_SET('ALTER TABLE Command Security
Policy', 'Restrict Access to Maintenance Period');
EXEC DBMS_MACADM.DELETE_RULE('Restrict Access to Maintenance Period');
EXEC DBMS_MACADM.DELETE_COMMAND_RULE('ALTER TABLE', 'SCOTT', '%');
EXEC DBMS_MACADM.DELETE_RULE_SET('ALTER TABLE Command Security Policy');
```

2. Drop the `email_alert` PL/SQL procedure.

```
DROP PROCEDURE email_alert;
```

3. Connect as SYS using the SYSDBA privilege and then revoke the EXECUTE privilege on the UTL_SMTP PL/SQL package from the Oracle Database Vault user account.

```
CONNECT SYS AS SYSDBA
Enter password: password

REVOKE EXECUTE ON UTL_SMTP FROM lbrown_dvowner;
```

Tutorial: Configuring Two-Person Integrity, or Dual Key Security

This section contains:

- [About This Tutorial](#)
- [Step 1: Create Users for This Tutorial](#)
- [Step 2: Create a Function to Check if User patch_boss Is Logged In](#)
- [Step 3: Create Rules, a Rule Set, and a Command Rule to Control the Users' Access](#)
- [Step 4: Test the Users' Access](#)
- [Step 5: Remove the Components for This Tutorial](#)

About This Tutorial

In this tutorial, you configure a rule set that defines two-person integrity (TPI), also called dual key security, dual key connection, and two-man rule security. In this type of security, two users are required to authorize an action, instead of one user. The idea is that one user provides a safety check for the other user before that user can proceed with a task. Two-person integrity provides an additional layer of security for actions that can potentially be dangerous. This type of scenario is often used for tasks such as database patch updates, which is what this tutorial will demonstrate. One user, `patch_user` must log in to perform a database patch upgrade, but the only way that he can do this is if his manager, `patch_boss` is already logged in. You will create a function, rules, a rule set, and a command rule to control `patch_user`'s ability to log in.

Step 1: Create Users for This Tutorial

You must create the following two users for this tutorial:

- `patch_boss` acts in a supervisory role: If `patch_boss` is not logged in, then the `patch_user` user cannot log in.
- `patch_user` is the user who is assigned to perform the patch upgrade. However, for this tutorial, user `patch_user` does not actually perform a patch upgrade. He only attempts to log in.

To create the users:

1. Connect to SQL*Plus as a user who has been granted the `DV_ACCTMGR` role.

For example:

```
CONNECT amalcolm_dvacctmgr
Enter password: password
```

2. Create the following users.

```
CREATE USER patch_boss IDENTIFIED BY password;
CREATE USER patch_user IDENTIFIED BY password;
```

Replace `password` with a password that is secure. See *Oracle Database Security Guide* for the minimum requirements for creating passwords.

3. Connect as user `SYS` with the `SYSDBA` privilege and grant privileges to the `patch_boss` and `patch_user` users.

```
CONNECT SYS AS SYSDBA
Enter password: password
```

```
GRANT CREATE SESSION TO patch_boss, patch_user;
```

4. Grant the following privileges to the DV_OWNER or DV_ADMIN user.

For example:

```
GRANT CREATE PROCEDURE TO lbrown_dvowner;  
GRANT SELECT ON V_$SESSION TO lbrown_dvowner;
```

Step 2: Create a Function to Check if User patch_boss Is Logged In

The function that you must create, `check_boss_logged_in`, does just that: When user `patch_user` tries to log in to SQL*Plus, it checks that user `patch_boss` is already logged in by checking the `V$SESSION` data dictionary view.

To create the `check_boss_logged_in` function:

1. As the DV_OWNER or DV_ADMIN user, create the `check_boss_logged_in` function as follows:

```
CREATE OR REPLACE FUNCTION check_boss_logged_in  
return varchar2  
authid definer as  
  
v_session_number number := 0;  
v_allow varchar2(10)    := 'TRUE';  
v_deny varchar2(10)    := 'FALSE';  
  
BEGIN  
  SELECT COUNT(*) INTO v_session_number  
  FROM SYS.V_$SESSION  
  WHERE USERNAME = 'PATCH_BOSS'; -- Enter the user name in capital letters.  
  
  IF v_session_number > 0  
  THEN RETURN v_allow;  
  ELSE  
  RETURN v_deny;  
  END IF;  
END check_boss_logged_in;  
/
```

2. Grant the EXECUTE privilege on the `check_boss_logged_in` function to the DVSYS schema.

```
GRANT EXECUTE ON check_boss_logged_in to DVSYS;
```

Step 3: Create Rules, a Rule Set, and a Command Rule to Control the Users' Access

Next, you must create two rules, a rule set to which you will add them, and a command rule. The rule set triggers the `check_boss_logged_in` function when user `patch_user` tries to log in to the database.

To create the rules and rule set:

1. Connect as a user who has been granted the DV_OWNER or DV_ADMIN role.

For example:

```
CONNECT lbrown_dvowner  
Enter password: password
```

2. Create the Check if Boss Is Logged In rule, which checks that the `patch_user` user is logged in to the database. In the definition, replace `lbrown_dvowner` with the

name of the DVOWNER or DV_ADMIN user who created the check_boss_logged_in function.

If the check_boss_logged_in function returns TRUE (that is, patch_boss is logged in to another session), then patch_user can log in.

```
BEGIN
  DBMS_MACADM.CREATE_RULE(
    rule_name => 'Check if Boss Is Logged In',
    rule_expr => 'SYS_CONTEXT(''USERENV'', ''SESSION_USER'') = ''PATCH_USER'' and
lbrown_dvowner.check_boss_logged_in = ''TRUE'' ');
END;
/
```

Enter the user name, PATCH_USER, in upper-case letters, which is how the SESSION_USER parameter stores it.

3. Create the Allow Connect for Other Database Users rule, which ensures that the user logged in (patch_user) is not user patch_boss. It also enables all other valid users to log in.

```
BEGIN
  DBMS_MACADM.CREATE_RULE(
    rule_name => 'Allow Connect for Other Database Users',
    rule_expr => 'SYS_CONTEXT(''USERENV'', ''SESSION_USER'') != ''PATCH_USER''');
END;
/
COMMIT;
```

4. Create the Dual Connect for Boss and Patch rule set, and then add the two rules to it.

```
BEGIN
  DBMS_MACADM.CREATE_RULE_SET(
    rule_set_name => 'Dual Connect for Boss and Patch',
    description => 'Checks if both boss and patch users are logged in.',
    enabled          => DBMS_MACUTL.G_YES,
    eval_options     => DBMS_MACUTL.G_RULESET_EVAL_ANY,
    audit_options    => DBMS_MACUTL.G_RULESET_AUDIT_FAIL,
    fail_options     => DBMS_MACUTL.G_RULESET_FAIL_SILENT,
    fail_message     => '',
    fail_code        => NULL,
    handler_options  => DBMS_MACUTL.G_RULESET_HANDLER_OFF,
    handler          => '');
END;
/
```

```
BEGIN
  DBMS_MACADM.ADD_RULE_TO_RULE_SET(
    rule_set_name => 'Dual Connect for Boss and Patch',
    rule_name     => 'Check if Boss Is Logged In'
  );
END;
/
```

```
BEGIN
  DBMS_MACADM.ADD_RULE_TO_RULE_SET(
    rule_set_name => 'Dual Connect for Boss and Patch',
    rule_name     => 'Allow Connect for Other Database Users'
  );
END;
/
```

5. Create the following CONNECT command rule, which permits user `patch_user` to connect to the database only if `patch_boss` is already logged in.

```
BEGIN
  DBMS_MACADM.CREATE_COMMAND_RULE(
    command          => 'CONNECT',
    rule_set_name    => 'Dual Connect for Boss and Patch',
    object_owner     => '%',
    object_name      => '%',
    enabled          => DBMS_MACUTL.G_YES);
END;
/
COMMIT;
```

Step 4: Test the Users' Access

1. Exit SQL*Plus.

```
EXIT
```

2. Create a second shell, for example:

```
xterm &
```

3. In the first shell, try to log in as user `patch_user`.

```
sqlplus patch_user
Enter password: password
```

```
ERROR:
ORA-47400: Command Rule violation for CONNECT on LOGON
```

```
Enter user-name:
```

User `patch_user` cannot log in until user `patch_boss` is already logged in. (Do not try the `Enter user-name` prompt yet.)

4. Open a second shell and then log in as user `patch_boss`.

```
sqlplus patch_boss
Enter password: password
Connected.
```

User `patch_boss` can log in.

5. Go back to the first shell, and then try logging in as user `patch_user` again.

```
Enter user_name: patch_user
Enter password: password
```

This time, user `patch_user` is deemed a valid user, so now he can log in.

Step 5: Remove the Components for This Tutorial

1. In the session for the user `patch_boss`, exit SQL*Plus and then close the shell.

```
EXIT
```

2. In the first shell, connect the `DV_ACCTMGR` user and remove the users you created.

```
CONNECT amalcolm_dvacctmgr
Enter password: password
```

```
DROP USER patch_boss;
DROP USER patch_user;
```

3. Connect as user SYS with the SYSDBA privilege and revoke the privileges that you had granted to the DV_OWNER or DV_ADMIN user.

```
CONNECT SYS AS SYSDBA
Enter password: password
```

```
REVOKE CREATE PROCEDURE FROM lbrown_dvowner;
REVOKE SELECT ON V_$SESSION FROM lbrown_dvowner;
```

4. Connect as the DV_OWNER or DV_ADMIN user and drop the rules, rule set, and command rule, in the order shown.

```
CONNECT lbrown_dvowner
Enter password: password
```

```
DROP FUNCTION check_boss_logged_in;
EXEC DBMS_MACADM.DELETE_COMMAND_RULE('CONNECT', '%', '%');
EXEC DBMS_MACADM.DELETE_RULE_FROM_RULE_SET('Dual Connect for Boss and Patch',
'Check if Boss Is Logged In');
EXEC DBMS_MACADM.DELETE_RULE_FROM_RULE_SET('Dual Connect for Boss and Patch',
'Allow Connect for Other Database Users');
EXEC DBMS_MACADM.DELETE_RULE('Check if Boss Is Logged In');
EXEC DBMS_MACADM.DELETE_RULE('Allow Connect for Other Database Users');
EXEC DBMS_MACADM.DELETE_RULE_SET('Dual Connect for Boss and Patch');
COMMIT;
```

Guidelines for Designing Rule Sets

Follow these guidelines for designing rule sets:

- You can share rules among multiple rule sets. This lets you develop a library of reusable rule expressions. Oracle recommends that you design such rules to be discrete, single-purpose expressions.
- Use Oracle Database Vault factors in your rule expressions to provide reusability and trust in the values used by your rule expressions. Factors can provide contextual information to use in your rules expressions.
- You can use custom event handlers to extend Oracle Database Vault security policies to integrate external systems for error handling or alerting. Using Oracle utility packages such as UTL_TCP, UTL_HTTP, UTL_SMTP, or DBMS_AQ can help you to achieve this type of integration.
- Test rule sets thoroughly for various accounts and scenarios either on a test database or on a test realm or command rule for nonsensitive data before you apply them to realms and command rules that protect sensitive data. You can test rule expressions directly with the following SQL statement:

```
SELECT SYSDATE from DUAL where rule expression
```

- You can nest rule expressions inside a single rule. This helps to achieve more complex situations where you would need a logical AND for a subset of rules and a logical OR with the rest of the rules. See the definition for the Is Corporate Network During Maintenance rule set under "[Tutorial: Creating an Email Alert for Security Violations](#)" on page 5-8 for an example.

- You cannot use invoker's rights procedures with rule expressions. Only use definer's rights procedures with rule expressions.

How Rule Sets Affect Performance

In general, the more rules and more complex the rules, the more performance overhead the performance for execution of certain operations governed by these rule sets. For example, if you have a very large number of rules in a rule set governing a `SELECT` statement, performance could degrade significantly.

If you have rule sets that require many rules, performance improves if you move all the rules to logic defined in a single PL/SQL standalone or package function. However, if a rule is used by other rule sets, there is little performance effect on your system.

However, if a rule is used by other rule sets, there is little performance effect on your system.

You can check system performance by running tools such as Oracle Enterprise Manager (including Oracle Enterprise Manager Database Control, which is installed by default with Oracle Database), `Statspack`, and `TKPROF`. For more information about Oracle Enterprise Manager, see the Oracle Enterprise Manager documentation set. For information about Database Control, refer to its online Help. *Oracle Database Performance Tuning Guide* describes the `Statspack` and `TKPROF` utilities.

Related Reports and Data Dictionary Views

[Table 5–1](#) lists Oracle Database Vault reports that are useful for analyzing rule sets and the rules within them. See [Chapter 17, "Oracle Database Vault Reports"](#) for information about how to run these reports.

Table 5–1 Reports Related to Rule Sets

Report	Description
"Rule Set Configuration Issues Report" on page 17-4	Lists rule sets that have no rules defined or enabled
"Secure Application Configuration Issues Report" on page 17-4	Lists secure application roles that have incomplete or disabled rule sets
"Command Rule Configuration Issues Report" on page 17-3	Lists rule sets that are incomplete or disabled

[Table 5–2](#) lists data dictionary views that provide information about existing rules and rule sets.

Table 5–2 Data Dictionary Views Used for Rules and Rule Sets

Data Dictionary View	Description
"DBA_DV_RULE View" on page 11-22	Lists the rules that have been defined
"DBA_DV_RULE_SET View" on page 11-22	Lists the rules sets that have been created
"DBA_DV_RULE_SET_RULE View" on page 11-24	Lists rules that are associated with existing rule sets

Configuring Command Rules

This chapter contains:

- [What Are Command Rules?](#)
- [Default Command Rules](#)
- [SQL Statements That Can Be Protected by Command Rules](#)
- [Creating and Editing a Command Rule](#)
- [Deleting a Command Rule](#)
- [How Command Rules Work](#)
- [Tutorial: Using a Command Rule to Control Table Creations by a User](#)
- [Guidelines for Designing Command Rules](#)
- [How Command Rules Affect Performance](#)
- [Related Reports and Data Dictionary View](#)

What Are Command Rules?

A **command rule** is a rule that you create to protect `SELECT`, `ALTER SYSTEM`, database definition language (DDL), and data manipulation language (DML) statements that affect one or more database objects. To customize and enforce the command rule, you associate it with a rule set, which is a collection of one or more rules. The command rule is enforced at run time. Command rules affect anyone who tries to use the SQL statements it protects, regardless of the realm in which the object exists. If you want to protect realm-specific objects, see "[Defining Realm Authorization](#)" on page 4-5.

A command rule has the following attributes, in addition to associating a command rule to a command:

- SQL statement the command rule protects
- Owner of the object the command rule affects
- Database object the command rule affects
- Whether the command rule is enabled
- An associated rule set

For more information about SQL statements and operations, refer to *Oracle Database SQL Reference*. See also "[SQL Statements That Can Be Protected by Command Rules](#)" on page 6-3.

Command rules can be categorized as follows:

- **Command rules that have a system-wide scope.** With this type, you can only create one command rule for each database instance. Examples are command rules for the `ALTER SYSTEM` and `CONNECT` statements.
- **Command rules that are schema specific.** An example is creating a command rule for the `DROP TABLE` statement.
- **Command rules that are object specific.** An example is creating a command rule for the `DROP TABLE` statement with a specific table included in the command rule definition.

When a user executes a statement affected by a command rule, Oracle Database Vault checks the realm authorization first. If it finds no realm violation and if the associated command rules are enabled, then Database Vault evaluates the associated rule sets. If all the rule sets evaluate to `TRUE`, then the statement is authorized for further processing. If any of the rule sets evaluate to `FALSE`, then the statement is not authorized and a command rule violation is created. [Chapter 5, "Configuring Rule Sets"](#) describes rule sets in detail.

You can define a command rule that uses factors for the `CONNECT` event to permit or deny sessions after the usual steps—user authentication process, factor initialization, and Oracle Label Security integration—are complete.

For example, you can configure a command rule that allows DDL statements such as `CREATE TABLE`, `DROP TABLE`, and `ALTER TABLE` in the `BIZAPP` schema to be authorized after business hours, but not during business hours.

You can run reports on the command rules that you create in Oracle Database Vault. See ["Related Reports and Data Dictionary View"](#) on page 6-9 for more information.

This chapter explains how to configure command rules by using Oracle Database Vault Administrator. To configure command rules by using the PL/SQL interfaces and packages provided by Oracle Database Vault, refer to the following chapters:

- [Chapter 12, "Using the DBMS_MACADM Package"](#)
- [Chapter 15, "Using the Oracle Database Vault PL/SQL Interfaces"](#)

Default Command Rules

[Table 6–1](#) lists default command rules that Oracle Database Vault provides.

Table 6–1 Default Command Rules

SQL Statement	Object Name	Rule Set Name
<code>ALTER PROFILE</code>	-	Can Maintain Accounts/Profiles
<code>ALTER USER</code>	-	Can Maintain Own Account
<code>CREATE PROFILE</code>	-	Can Maintain Accounts/Profiles
<code>CREATE USER</code>	-	Can Maintain Accounts/Profiles
<code>DROP PROFILE</code>	-	Can Maintain Accounts/Profiles
<code>DROP USER</code>	-	Can Maintain Accounts/Profiles
<code>GRANT</code>	<code>SYS.DBMS_RLS</code> package	Can Grant VPD Administration
<code>REVOKE</code>	<code>SYS.DBMS_RLS</code> package	Can Grant VPD Administration

The following set of command rules helps you to achieve separation of duty for user management:

- ALTER PROFILE
- ALTER USER
- CREATE PROFILE
- CREATE USER
- DROP PROFILE
- DROP USER

If you want to grant a user the ability to use these commands, you can grant the user the role that the rule set checks. For example, the `CREATE USER` command rule ensures that a user who tries to run a `CREATE USER` statement has the `DV_ACCTMGR` role.

Only the accounts with the `DV_OWNER` role can use the `GRANT` and `REVOKE` statements pertaining to the `SYS.DBMS_RLS` object and the `EXECUTE` privilege.

SQL Statements That Can Be Protected by Command Rules

You can protect the following SQL statements by using command rules:

ALTER CLUSTER	CREATE CONTEXT	DROP FUNCTION
ALTER DIMENSION	CREATE DATABASE LINK	DROP INDEX
ALTER FUNCTION	CREATE DIMENSION	DROP INDEXTYPE
ALTER INDEX	CREATE DIRECTORY	DROP JAVA
ALTER INDEXTYPE	CREATE FUNCTION	DROP LIBRARY
ALTER JAVA	CREATE INDEX	DROP OPERATOR
ALTER OPERATOR	CREATE INDEXTYPE	DROP OUTLINE
ALTER OUTLINE	CREATE JAVA	DROP PACKAGE
ALTER PACKAGE	CREATE LIBRARY	DROP PACKAGE BODY
ALTER PACKAGE BODY	CREATE OPERATOR	DROP PROCEDURE
ALTER PROCEDURE	CREATE OUTLINE	DROP PROFILE
ALTER PROFILE	CREATE PACKAGE	DROP ROLE
ALTER RESOURCE COST	CREATE PACKAGE BODY	DROP ROLLBACK SEGMENT
ALTER ROLE	CREATE PROCEDURE	DROP SEQUENCE
ALTER ROLLBACK SEGMENT	CREATE PROFILE	DROP SNAPSHOT
ALTER SEQUENCE	CREATE ROLE	DROP SNAPSHOT LOG
ALTER SNAPSHOT	CREATE ROLLBACK SEGMENT	DROP SYNONYM
ALTER SNAPSHOT LOG	CREATE SCHEMA	DROP TABLE
ALTER SYNONYM	CREATE SEQUENCE	DROP TABLESPACE
ALTER SYSTEM	CREATE SNAPSHOT	DROP TRIGGER
ALTER TABLE	CREATE SNAPSHOT LOG	DROP TYPE
ALTER TABLESPACE	CREATE SYNONYM	DROP TYPE BODY
ALTER TRIGGER	CREATE TABLE	DROP USER
ALTER TYPE	CREATE TABLESPACE	DROP VIEW
ALTER TYPE BODY	CREATE TRIGGER	EXECUTE

ALTER USER	CREATE TYPE	GRANT
ALTER VIEW	CREATE TYPE BODY	INSERT
ANALYZE CLUSTER	CREATE USER	NOAUDIT
ANALYZE INDEX	CREATE VIEW	RENAME
ANALYZE TABLE	DELETE	REVOKE
ASSOCIATE STATISTICS	DISASSOCIATE STATISTICS	SELECT
AUDIT	DROP CLUSTER	TRUNCATE CLUSTER
COMMENT	DROP CONTEXT	TRUNCATE TABLE
COMMIT	DROP DATABASE LINK	UPDATE
CONNECT	DROP DIMENSION	
CREATE CLUSTER	DROP DIRECTORY	

Creating and Editing a Command Rule

Follow these steps:

1. Log in to Oracle Database Vault Administrator as a user who has been granted the `DV_OWNER` or `DV_ADMIN` role.
["Starting Oracle Database Vault Administrator"](#) on page 3-1 explains how to log in.
2. In the Administration page, under Database Vault Feature Administration, click **Command Rules**.
3. In the Command Rules page:
 - To create a new command rule, click **Create**.
 - To edit an existing command rule, select it from the list and then click **Edit**.
4. In the Create (or Edit) Command Rule page, enter the following settings, and then click **OK**.
 - [General](#)
 - [Applicability](#)
 - [Rule Set](#)

General

Enter the following settings:

- **Command:** Select the SQL statement or operation for which you want to create a command rule. This attribute is mandatory.
- **Status:** Select either **Enabled** or **Disabled** to enable or disable the command rule during run time. The default is **Enabled**. This attribute is mandatory.

Applicability

Enter the following settings:

- **Object Owner:** From the list, select the owner of the object the command rule affects. You can use wildcard character % to select all owners. (However, you cannot use wildcard characters with text, such as `EM%` to select all owners whose names begin in `EM`.) This attribute is mandatory for all SQL statements that operate on objects within a specific schema. See ["SQL Statements That Can Be Protected by](#)

[Command Rules](#)" on page 6-3 for a list of supported SQL statements.

Note that the `SELECT`, `INSERT`, `UPDATE`, `DELETE`, and `EXECUTE` statements are not allowed for a selection of all (%) or the `SYS` and `DVSYS` schemas.

- **Object Name:** Enter the name of the database object that the command rule affects, or specify % to select all database objects. However, you cannot use wildcard characters with text (for example, `EMP_%`) to specify all tables beginning with the characters `EMP_`. This attribute is mandatory, if you selected an object owner from the Object Owner list.

You can run Oracle Database Vault reports on objects that the command rule affects. See the ["Related Reports and Data Dictionary View"](#) on page 6-9 for more information.

Rule Set

From the list, select the rule set that you want to associate with the command rule. This attribute is mandatory.

If the rule set evaluates to true, then the SQL statement succeeds. If it evaluates to false, the statement fails, and then Oracle Database Vault raises a command rule violation. (You can track such rule violations by using the Command Rule Configuration Issues Report, discussed in [Chapter 17](#).) Any auditing and custom event handling associated with the rule set occurs as a part of the command rule processing.

See [Chapter 5, "Configuring Rule Sets"](#) for more information about rule sets.

Deleting a Command Rule

Before you delete a command rule, you can locate the various references to it by querying the command rule-related Oracle Database Vault views. See ["Oracle Database Vault Data Dictionary Views"](#) on page 11-10 for more information.

To delete a command rule:

1. In the Oracle Database Vault Administration page, select **Command Rules**.
2. In the Command Rules page, select the command rule that you want to remove.
3. Click **Remove**.
4. In the Confirmation page, click **Yes**.

How Command Rules Work

["How Realms Work"](#) on page 4-8 describes what happens when a database account issues a `SELECT`, `DDL`, or `DML` statement that affects objects within a realm.

The following actions take place when `SELECT`, `DDL`, or `DML` statement is issued:

1. Oracle Database Vault queries all the command rules that need to be applied.

For `SELECT`, `DDL`, and `DML` statements, multiple command rules may apply because the object owner and object name support wildcard notation.

You can associate rule sets with both command rules and realm authorizations. Oracle Database Vault evaluates the realm authorization rule set first, and then it evaluates the rule sets that apply to the command type being evaluated.

2. For each command rule that applies, Oracle Database Vault evaluates its associated rule set.

3. If the associated rule set of any of the applicable command rules returns false or errors, Oracle Database Vault prevents the command from executing. Otherwise, the command is authorized for further processing. The configuration of the rule set with respect to auditing and event handlers dictates the auditing or custom processing that occurs.

Command rules override object privileges. You can disable (or set the **Disabled** setting for) either a command or a rule set of a command. If a command rule is disabled, then the command rule is not allowed to run regardless of its associated rule set. That is, the command rule itself is disabled. However, if you disable a rule set of a command rule, then the rule set is not checked. In that case, the command rule is allowed to run without any condition. If the command rule has been set to the **Disabled** setting, then you are prevented from querying the table even though you have the `SELECT` privilege on the table. (Only the rule set has been disabled, not the command rule itself.)

Tutorial: Using a Command Rule to Control Table Creations by a User

This section contains:

- [About This Tutorial](#)
- [Step 1: Connect as User SCOTT and Create a Table](#)
- [Step 2: Connect Using the DVOWNER or DV_ADMIN Role and Create a Command Rule](#)
- [Step 3: Test the Command Rule](#)
- [Step 4: Remove the Components for this Tutorial](#)

See Also: ["Tutorial: Creating an Email Alert for Security Violations"](#) on page 5-8 for another example of how a command rule can work with a rule set to send an email alert when a violation occurs

About This Tutorial

In this tutorial, you create a simple command rule that disables and then enables the ability of user `SCOTT` to create tables.

Step 1: Connect as User SCOTT and Create a Table

1. Log in to SQL*Plus as user `SCOTT`.

```
sqlplus scott
Enter password: password
```

If the `SCOTT` account is locked and expired, then log in as the `DV_ACCTMGR` user and unlock `SCOTT` and create a new password. For example:

```
sqlplus amalcolm_dvacctmgr
Enter password: password
```

```
ALTER USER SCOTT ACCOUNT UNLOCK IDENTIFIED BY password;
```

Replace `password` with a password that is secure.

```
CONNECT SCOTT
Enter password: password
```

2. As user `SCOTT`, create a table.

```
CREATE TABLE t1 (num NUMBER);
```

3. Now drop the table.

```
DROP TABLE t1;
```

At this stage, user `SCOTT` can create and drop tables. Do not exit SQL*Plus yet, and remain connected as `SCOTT`. You must use it later on when `SCOTT` tries to create another table.

Step 2: Connect Using the DVOWNER or DV_ADMIN Role and Create a Command Rule

1. Log in to Oracle Database Vault Administrator as a user who has been granted the `DV_OWNER` or `DV_ADMIN` role.

"Starting Oracle Database Vault Administrator" on page 3-1 explains how to log in.

2. In the Oracle Database Vault Administrator Administration page, click **Command Rules**.

The Command Rules page appears.

3. Click **Create**.

The Create Command Rule page appears.

4. Enter the following settings:

- **Command list:** Select **CREATE TABLE**
- **Status:** Set to **Enabled** so that the command rule is active.
- **Object Owner:** Select **SCOTT**.
- **Object Name:** Set to **%** so that it applies to all objects in the `SCOTT` schema.
- **Rule Set:** Select **Disabled** so that user `SCOTT` is prevented from creating tables.

5. Click **OK**.

Do not exit Database Vault Administrator

Command rules take effect immediately. Right away, user `SCOTT` is prevented from creating tables, even though he is still in the same user session he was in a moment ago, before you created the `CREATE TABLE` command rule.

Step 3: Test the Command Rule

1. In SQL*Plus, ensure that you are logged on as user `SCOTT`.

```
CONNECT SCOTT
Enter password: password
```

2. Try to create a table.

```
CREATE TABLE t1 (num NUMBER);
```

The following output should appear:

```
ERROR at line 1:
ORA-00604: error occurred at recursive SQL level 1
ORA-47400: Command Rule violation for create table on SCOTT.T1
ORA-06512: at "DVSYS.AUTHORIZE_EVENT", line 55
ORA-06512: at line 31
```

As you can see, `SCOTT` is no longer allowed to create tables, even in his own schema.

3. In Oracle Database Vault Administrator, do the following:
 - a. In the Command Rules page, select the `CREATE TABLE` command rule and then click **Edit**.
 - b. In the Edit Command Rule page, select **Enabled** from the **Rule Set** list.
 - c. Click **OK**.
4. In `SQL*Plus`, as user `SCOTT`, try creating the table again.

```
CREATE TABLE t1 (num NUMBER);
```

```
Table created.
```

Now that the `CREATE TABLE` command rule is set to `Enabled`, user `SCOTT` is once again permitted to create tables. (Do not exit `SQL*Plus`.)

Step 4: Remove the Components for this Tutorial

1. In Oracle Database Vault Administrator, remove the `CREATE TABLE` command rule as follows:
 - Return to the Command Rules page.
 - Select the `CREATE TABLE` command rule and then click **Remove**.
 - In the Confirmation page, click **Yes**.
2. Log in to `SQL*Plus` as user `SCOTT` and remove the `t1` table.

```
DROP TABLE t1;
```

3. If you no longer need the `SCOTT` account to be available, then connect as the Database Vault Account Manager and enter the following `ALTER USER` statement:

```
CONNECT amalcolm_dvacctmgr
```

```
Enter password: password
```

```
ALTER USER SCOTT ACCOUNT LOCK PASSWORD EXPIRE;
```

Guidelines for Designing Command Rules

Follow these guidelines to design command rules:

- Create finer-grained command rules, because they are far easier to maintain.
For example, if you want to prevent `SELECT` statements from occurring on specific schema objects, then design multiple command rules to stop the `SELECT` statements on those specific schema objects, rather than creating a general command rule to prevent `SELECT` statements in the schema level.
- When designing rules for the `CONNECT` event, be careful to include logic that does not inadvertently lock out the Oracle Database Vault Owner or Administrator.

If the account has been locked out, you can disable Oracle Database Vault, correct the rule that is causing the lock-out problem, and then reenable Oracle Database Vault. Even when Oracle Database Vault is disabled, you still can use Database Vault Administrator and the Database Vault PL/SQL packages. See [Appendix B, "Disabling and Enabling Oracle Database Vault"](#) for instructions on disabling and re-enabling Database Vault.

- Sometimes you must temporarily relax an enabled command rule for an administrative task. Rather than disabling the command rule, have the Security Manager (the account with the DV_ADMIN or DV_OWNER role) log in, set the rule set to **Enabled**, turn on **Auditing on Success or Failure** for the default rule set named Enabled, and then set the command rule back to its original rule set when the task is complete.
- When designing command rules, be careful to consider automated processes such as backup where these procedures may be inadvertently disabled. You can account for these tasks by creating rules that allow the command when a series of Oracle Database Vault factors is known to be true (for example, the program being used, and the account being used or the computer or network on which the client program is running).

How Command Rules Affect Performance

The performance of a command rule depends on the complexity of the rules in the rule set associated with the command rule. For example, suppose a rule set invokes a PL/SQL function that takes 5 seconds to run. In this case, a command rule that uses that rule set would take 5 seconds to grant access for the command statement to run.

You can check the system performance by running tools such as Oracle Enterprise Manager (including Oracle Enterprise Manager Database Control, which is installed by default with Oracle Database), Statspack, and TKPROF. For more information about Oracle Enterprise Manager, see the Oracle Enterprise Manager documentation set. For information about Database Control, refer to its online Help. *Oracle Database Performance Tuning Guide* describes the Statspack and TKPROF utilities.

Related Reports and Data Dictionary View

Table 6–2 lists Oracle Database Vault reports that are useful for analyzing command rules. See Chapter 17, "Oracle Database Vault Reports" for information about how to run these reports.

Table 6–2 Reports Related to Command Rules

Report	Description
"Command Rule Audit Report" on page 17-4	Lists audit records generated by command rule processing operations
"Command Rule Configuration Issues Report" on page 17-3	Tracks rule violations, in addition to other configuration issues the command rule may have
"Object Privilege Reports" on page 17-5	Lists object privileges that the command rule affects
"Sensitive Objects Reports" on page 17-7	Lists objects that the command rule affects
"Rule Set Configuration Issues Report" on page 17-4	Lists rules sets that have no rules defined or enabled, which may affect the command rules that use them

You can use the DBA_DV_COMMAND_RULE data dictionary view to find the SQL statements that are protected by command rules. See "DBA_DV_COMMAND_RULE View" on page 11-12 for more information.

Configuring Factors

This chapter contains:

- [What Are Factors?](#)
- [Default Factors](#)
- [Creating a Factor](#)
- [Editing a Factor](#)
- [Adding an Identity to a Factor](#)
- [Deleting a Factor](#)
- [How Factors Work](#)
- [Tutorial: Preventing Ad Hoc Tool Access to the Database](#)
- [Tutorial: Restricting User Activities Based on Session Data](#)
- [Guidelines for Designing Factors](#)
- [How Factors Affect Performance](#)
- [Related Reports and Data Dictionary Views](#)

What Are Factors?

A **factor** is a named variable or attribute, such as a user location, database IP address, or session user, that Oracle Database Vault can recognize. You can use factors for activities such as authorizing database accounts to connect to the database or creating filtering logic to restrict the visibility and manageability of data.

Oracle Database Vault provides a selection of factors that lets you set controls on such components as the domain for your site, IP addresses, databases, and so on. "[Default Factors](#)" on page 7-2 describes the default factors in detail. You also can create custom factors, using your own PL/SQL retrieval methods.

You can use factors in combination with rules in rule sets. The DVF factor functions described in "[Oracle Database Vault PL/SQL Factor Functions](#)" on page 15-5 are factor-specific functions that you can use in rule expressions.

Factors have values (identities) and are further categorized by their factor types. "[Factor Identification](#)" on page 7-5 explains more about factor identities. See "Factor Type" under "[General](#)" on page 7-4 for information about factor types.

You also can integrate factors with Oracle Label Security labels. "[Integrating Oracle Database Vault with Oracle Label Security](#)" on page 9-2 explains how. See "[Tutorial: Integrating Oracle Database Vault with Oracle Label Security](#)" on page 9-5 for more

information.

You can run reports on the factors that you create in Oracle Database Vault. See ["Related Reports and Data Dictionary Views"](#) on page 7-29 for more information.

This chapter explains how to configure factors by using Oracle Database Vault Administrator. To configure factors by using the PL/SQL packages and interfaces provided by Oracle Database Vault, refer to the following chapters:

- [Chapter 12, "Using the DBMS_MACADM Package"](#)
- [Chapter 15, "Using the Oracle Database Vault PL/SQL Interfaces"](#)

Default Factors

Oracle Database Vault provides a set of default factors. For each of these factors, there is an associated function that retrieves the value of the factor. See ["Oracle Database Vault PL/SQL Factor Functions"](#) on page 15-5 for a listing of these functions.

You can create custom factors by using your own PL/SQL retrieval methods. A useful PL/SQL function you can use (which is used for many of the default factors) is the `SYS_CONTEXT` SQL function, which retrieves data about the user session. After you create the custom factor, you can query its values similar to the functions used to query the default factors. ["Tutorial: Preventing Ad Hoc Tool Access to the Database"](#) on page 7-16 shows an example of how to create and query a custom factor.

You can use the default factors in your own security configurations. If you do not need them, you can remove them. (That is, they are not needed for internal use by Oracle Database Vault.)

The default factors are as follows:

- **Authentication_Type:** Is the type of authentication:
 - Database
 - Network
 - OS (operating system)
 - Proxy
- **Client_IP:** Is the IP address of the machine from which the client is connected.
- **Database_Domain:** Is the domain of the database as specified in the `DB_DOMAIN` initialization parameter.
- **Database_Hostname:** Is the host name of the computer on which the instance is running.
- **Database_Instance:** Is the instance identification number of the current instance.
- **Database_IP:** Is the IP address of the computer on which the instance is running.
- **Database_Name:** Is the name of the database as specified in the `DB_NAME` initialization parameter.
- **Domain:** is a named collection of physical, configuration, or implementation-specific factors in the run-time environment (for example, a networked IT environment or subset of it) that operates at a specific sensitivity level. You can identify a domain using factors such as host name, IP address, and database instance names of the Database Vault nodes in a secure access path to the database. Each domain can be uniquely determined using a combination of the factor identifiers that identify the domain. You can use these identifying factors

and possibly additional factors to define the Maximum Security Label within the domain. This restricts data access and commands, depending on the physical factors about the Database Vault session. Example domains of interest may be Corporate Sensitive, Internal Public, Partners, and Customers.

- **Enterprise_Identity:** Is enterprise-wide identity for the user:
 - For enterprise users: the Oracle Internet Directory-distinguished name (DN).
 - For external users: the external identity (Kerberos principal name, Radius and DCE schema names, operating system user name, certificate DN).
 - For local users and SYSDBA and SYSOPER logins: NULL.

The value of the attribute differs by proxy method:

- For a proxy with DN: the Oracle Internet Directory DN of the client.
 - For a proxy with certificate: the certificate DN of the client for external users; the Oracle Internet Directory DN for global users.
 - For a proxy with user names: the Oracle Internet Directory DN if the client is an enterprise user; NULL if the client is a local database user.
- **Lang:** Is the ISO abbreviation for the language name, a shorter form than the existing LANGUAGE parameter.
 - **Language:** Is the language and territory your session currently uses, along with the database character set, in the following form:

language_territory.characterset

For example:

AMERICAN_AMERICA.WE8MSWIN1252

Refer to *Oracle Database Globalization Support Guide* for more information about languages, territories, and character sets.

- **Machine:** Is the host name for the database client that established the current session. If you must find out whether the computer was used for a client or server session, then you can compare this setting with the Database_Hostname factor to make the determination.
- **Network_Protocol:** Is the network protocol being used for communication, as specified in the PROTOCOL=protocol portion of the connect string.
- **Proxy_User:** Is the name of the database user who opened the current session on behalf of SESSION_USER.
- **Session_User:** Is the database user name by which the current user is authenticated. This value remains the same throughout the session.

Creating a Factor

In general, to create a factor, a factor, you first create the factor itself, and then you edit the factor to include its identity. "[Guidelines for Designing Factors](#)" on page 7-27 provides advice on designing factors.

To create a factor:

1. Log in to Oracle Database Vault Administrator as a user who has been granted the DV_OWNER or DV_ADMIN role.

"[Starting Oracle Database Vault Administrator](#)" on page 3-1 explains how to log in.

2. In the Administration page, under Database Vault Feature Administration, click **Factors**.
3. In the Factors page, click **Create**.
4. In the Create Factor page, enter the following settings, and then click **OK**:
 - [General](#)
 - [Factor Identification](#)
 - [Evaluation](#)
 - [Factor Labeling](#)
 - [Retrieval Method](#)
 - [Validation Method](#)
 - [Assignment Rule Set](#)
 - [Audit Options](#)
 - [Error Options](#)

General

In the General area, enter the following information:

- **Name:** Enter a name up to 30 characters in mixed-case, without spaces. Oracle Database Vault creates a valid Oracle identifier for the factor function to be created in the DVF schema based on the name of the factor chosen. For example, if you create a factor named `GetNetworkIP`, Oracle Database Vault creates the `DVF.F$GETNETWORKIP` function. This attribute is mandatory.

Oracle suggests that you start the name with a noun and complete the name with a brief description of the derived value.

["Oracle Database Vault PL/SQL Factor Functions"](#) on page 15-5 describes the DVF factor functions.

- **Description:** Enter a text description of the factor. It can have up to 1024 characters in mixed-case. This attribute is optional.
- **Factor Type:** From the list, select the type or category of the factor. This attribute is mandatory.

Factor types have a name and description and are used only to help classify factors. A factor type is the category name used to classify the factor. The default physical factor types include authentication method, host name, host IP address, instance identifiers, database account information, and others. You can create user-defined factor types, such as application name, certificate information, and so on in addition to the installed factor types, such as time and authentication method.

You can find the factors that are associated with a particular factor type by querying the `DBA_DV_FACTOR` data dictionary view. For example:

```
SELECT NAME
FROM DVSYS.DBA_DV_FACTOR
WHERE FACTOR_TYPE_NAME='Authentication Method';
```

The output is:

```
NAME
-----
```

Network_Protocol
 Authentication_Method
 Identification_Type

Note: To create user-defined factor types by using the Oracle Database Vault `DBMS_MACADM` package, use the `CREATE_FACTOR_TYPE` procedure, described in "[CREATE_FACTOR_TYPE Procedure](#)" on page 12-30.

Factor Identification

Under Factor Identification, select how to resolve the identity of a factor. This attribute is mandatory. The values are as follows:

- **By Method:** Default. Sets the factor identity by executing the PL/SQL expression specified in the **Retrieval Method** field.

For example, suppose the expression retrieves the system date:

```
to_char(sysdate, 'yyyy-mm-dd')
```

On December 6, 2011, the **By Method** option would return the following value:

```
2011-12-06
```

- **By Constant:** Resolves the factor identity by retrieving the constant value found in the **Retrieval Method** field.
- **By Factors:** Determines the factor identity by mapping the identities of the child factor to its parent factor. A parent factor is a factor whose values are resolved based on a second factor, called a child factor. To establish their relationship, you map their identities. (You do not need to specify a **Retrieval Method** expression for this option.)

See "[Using Identity Mapping to Configure an Identity to Use Other Factors](#)" on page 7-12 for more information about mapping identities.

A **factor identity** is the actual value of a factor (for example, the IP address for a factor that uses the `IP_Address` type). A factor can have several identities depending on its retrieval method or its identity mapping logic. For example, a factor such as `Database_Hostname` could have multiple identities in an Oracle Real Application Clusters environment; a factor such as `Client_IP` can have multiple identities in any RDBMS environment. The retrieval method for these types of factors may return different values because the retrieval method is based on the database session.

Several reports allow you to track the factor identity configuration. See "[Related Reports and Data Dictionary Views](#)" on page 7-29 for more information.

You can configure the assignment of a factor in the following ways:

- Assign the factor at the time a database session is established.
- Configure individual requests to retrieve the identity of the factor.

With the Oracle Label Security integration, you can label identities with an Oracle Label Security label. You can also assign an identity *trust levels*, which are numbers that indicate the magnitude of trust relative to other identities for the same factor. In general, the higher the trust level number is set, the greater the trust. Negative trust levels are not trusted.

See Also: ["Adding an Identity to a Factor"](#) on page 7-10 for more information about factor identities

Within a database session, a factor assigned identity is available to Oracle Database Vault and any application with a publicly accessible PL/SQL function that exists in the DVF schema (which contains functions that retrieve factor values) as follows:

```
dvf.f$factor_name
```

This allows the identifier for a factor to be accessed globally from within the Oracle database (using PL/SQL, SQL, Oracle Virtual Private Database, triggers, and so on). For example, in SQL*Plus:

```
CONNECT lbrown_dvowner
Enter password: password

SELECT DVF.F$DATABASE_IP FROM DUAL;
```

Output similar to the following appears:

```
SELECT DVF.F$DATABASE_IP FROM DUAL;

F$DATABASE_IP
-----
192.0.2.1
```

You can also use the `DVSYSD.GET_FACTOR` function to find the identity of a factor that is made available for public access. For example:

```
SELECT GET_FACTOR('DATABASE_IP') FROM DUAL;
```

The following output appears:

```
GET_FACTOR('DATABASE_IP')
-----
192.0.2.1
```

Evaluation

Under Evaluation, select how you want the factor to be evaluated and assigned an identity. See ["How Factors Affect Performance"](#) on page 7-28 for the performance effect of session factors. This attribute is mandatory.

The values are as follows:

- **By Session:** Default. Evaluates the factor when a database session is created.
- **By Access:** Evaluates the factor each time it is accessed (for example, referenced by an application) and when the database session is first created.

Factor Labeling

Under Factor Labeling, select how you want the factor identity to retrieve an Oracle Label Security (OLS) label. This setting applies if you plan to use the Oracle Label Security integration. This attribute is mandatory if you want to use an OLS label. (See also ["Integrating Oracle Database Vault with Oracle Label Security"](#) on page 9-2 for information on integrating OLS labels with a factors.

The values are as follows:

- **By Self:** Default. Labels the identities for the factor directly from the labels associated with an Oracle Label Security policy.

- **By Factors:** If there are multiple child factor labels, then Oracle Database Vault merges the labels by using the Oracle Label Security algorithm that is associated with the applicable Oracle Label Security policy. For each applicable Oracle Label Security policy, a factor identity can have an assigned label.

Retrieval Method

Under Retrieval Method, enter a PL/SQL expression that retrieves the identity of a factor or a constant. It can use up to 255 characters in mixed-case. The Retrieval Method identifies factors where the factor identification is by method or constant. If the factor identification is by factors, Oracle Database Vault identifies it by its identity mappings.

You can create your own PL/SQL retrieval methods, or use the functions supplied with Oracle Database Vault. See the following sections for factor-specific and general utility functions that you can use to build the retrieval method:

- ["Oracle Database Vault PL/SQL Factor Functions"](#) on page 15-5
- ["Factor Procedures and Functions Within DBMS_MACADM"](#) on page 12-23
- [Chapter 14, "Using the DBMS_MACUTL Package"](#)

The following retrieval method sets a value of the DB_NAME factor by retrieving the database name (DB_NAME) from the USERENV namespace in a user's session.

```
UPPER(SYS_CONTEXT('USERENV', 'DB_NAME'))
```

See also the default factors provided with Oracle Database Vault for examples of retrieval methods. ["Default Factors"](#) on page 7-2 describes these factors.

The **Retrieval Method** field is mandatory if you have selected the following settings under Factor Identification:

- **By Method:** Enter a method in the Retrieval Method field.
- **By Constant:** Enter a constant in the Retrieval Method field.

The value returned as the factor identity must be a VARCHAR2 string or otherwise convertible to one.

You can include any package function or standalone function in the expression. Ensure that the expression is a fully qualified function, such as *schema.function_name*. Do not include complete SQL statements. If you are using application packages or functions, you must provide DVSYS with the GRANT EXECUTE privilege on the object.

Write the function signature using the following format:

```
FUNCTION GET_FACTOR RETURN VARCHAR2
```

Validation Method

Under Validation Method, enter a PL/SQL expression that returns a Boolean value (TRUE or FALSE) to validate the identity of a factor being retrieved (with the DVSYS.GET_FACTOR function) or the value to be assigned to a factor (with the DVSYS.SET_FACTOR function). If the method is evaluated to false for the value being retrieved or to be assigned, then the factor identity is set to null. This optional feature provides an additional level of assurance that the factor is properly retrieved and set. This field can have up to 255 characters in mixed-case.

You can include any package function or standalone function in the expression. Ensure that the expression is a fully qualified function, such as *schema.function_name*. Do not include complete SQL statements. If you are using application packages or functions, you must provide DVSYS with the GRANT EXECUTE privilege on the object.

Write the function using one of the following formats:

- `FUNCTION IS_VALID RETURN BOOLEAN`
 In this form, you can use the `DVF.F$factor_name` function inside the function logic. This is more appropriate for factors that are evaluated by session.
- `FUNCTION IS_VALID(p_factor_value VARCHAR2) RETURN BOOLEAN`
 In this form, the factor value is passed to the validation function directly. This is more appropriate for factors that are evaluated by access. It is also valid for factors evaluated by session.

See the following sections for factor-specific and general utility functions that you can use to build the validation method:

- ["Oracle Database Vault PL/SQL Factor Functions"](#) on page 15-5
- ["Factor Procedures and Functions Within DBMS_MACADM"](#) on page 12-23
- [Chapter 14, "Using the DBMS_MACUTL Package"](#)

Assignment Rule Set

Under Assignment Rule Set, select a rule set from the list if you want to use a rule set to control when and how a factor identity is set. For example, you can use a rule set to determine when a database session originates from a known application server or program. [Chapter 5, "Configuring Rule Sets"](#) explains how to create rule sets.

This attribute is particularly useful for situations where database applications, such as a Web application using a JDBC connection pool, must dynamically set a factor identity for the current database session. For example, a Web application may want to assign the geographic location for a database account logging in to the Web application. To do so, the Web application can use the JDBC Callable Statement, or Oracle Data Provider for .NET (ODP.NET) to execute the PL/SQL function `DVSYST.SET_FACTOR`, for example:

```
BEGIN
  DVSYST.SET_FACTOR('GEO_STATE', 'VIRGINIA');
END;
```

Then you can create an assignment rule for the `GEO_STATE` factor to allow or disallow the setting of the `GEO_STATE` factor based on other factors or rule expressions. See ["How Factors Are Set"](#) on page 7-16 for more information.

Audit Options

Under Audit Options, select from the settings to generate an audit trail for the factors. Oracle Database Vault writes the audit trail to the `DVSYST.AUDIT_TRAIL$` system file, described in [Appendix A, "Auditing Oracle Database Vault."](#)

You can use the Factor Audit Report to display the generated audit records. (See ["Related Reports and Data Dictionary Views"](#) on page 7-29 for more information.) In addition, you can select multiple audit options at a time. Each option is converted to a bit mask and added to determine the aggregate behavior. Note that there is little performance impact in auditing, unless the factor has errors. This attribute is mandatory.

The values are as follows:

- **Never:** Does not audit.
- **Always:** Always creates an audit record when a factor is evaluated. You can select from the conditions, described next.

- **Sometimes:** Creates an audit record based on one or more conditions. When you select **Sometimes**, by default the **Retrieval Error** and **Retrieval NULL** options are selected.

You can select from the following conditions listed next.

Conditions that you can select for the **Always** and **Sometimes** options are as follows:

- **Retrieval Error:** Creates an audit record when the identity of a factor cannot be resolved and assigned, due to an error (such as `No data found` or `Too many rows`).
- **Retrieval NULL:** Creates an audit record when the identity of a factor is resolved to `NULL`.
- **Validation Error:** Creates an audit record when the validation method (if provided) returns an error.
- **Validation False:** Creates an audit record when the validation method (if provided) returns `FALSE`.
- **Trust Level NULL:** Creates an audit record when the resolved identity of a factor has an assigned trust level of `NULL`.

See "[Creating and Configuring a Factor Identity](#)" on page 7-10 for more information about trust levels.

- **Trust Level Less Than Zero:** Creates an audit record when the resolved identity of a factor has an assigned trust level less than zero.

Error Options

Under Error Options, select from the following to specify the processing that occurs when a factory identity cannot be resolved. This attribute is mandatory.

The values are as follows:

- **Show Error Message:** Default. Displays an error message to the database session.
- **Do Not Show Error Message:** Does not display the error message.

An advantage of selecting **Do Not Show Error Message** and then enabling auditing is that you can track the activities of a potential intruder. The audit report reveals the activities of the intruder, yet the intruder is unaware that you are doing this because he or she does not see any error messages.

After you have created a new factor, you are ready to configure its identity. To do so, edit the factor and then add its identity.

See Also:

- "[Editing a Factor](#)" on page 7-9
- "[Adding an Identity to a Factor](#)" on page 7-10

Editing a Factor

To edit a factor:

1. In the Oracle Database Vault Administration page, select **Factors**.
2. In the Factors page, select the factor that you want to edit.
3. Click **Edit**.
4. Modify the factor as necessary, and then click **OK**.

See Also:

- ["Creating a Factor"](#) on page 7-3 to modify the settings created for a new factor
- ["Adding an Identity to a Factor"](#) on page 7-10 to add or modify an identity for the factor

Adding an Identity to a Factor

After you create a new factor, you optionally can add an identity to it. An identity is the actual value of the factor. For example, the identity of an IP_Address factor could be the IP address of 192.0.2.4.

This section contains:

- [About Factor Identities](#)
- [Creating and Configuring a Factor Identity](#)
- [Using Identity Mapping to Configure an Identity to Use Other Factors](#)

About Factor Identities

A factor identity for a given database session is assigned at run time using the **Factor Identification** and **Retrieval Method** fields described in ["Creating a Factor"](#) on page 7-3. You can further configure the identity for the following reasons:

- To define the known identities for a factor
- To add a trust level to a factor identity
- To add an Oracle Label Security label to a factor identity
- To resolve a factor identity through its child factors, by using Identity Mapping

See Also:

- ["How Factors Work"](#) on page 7-14 for more information about how a factor behaves during a database session
- ["Tutorial: Restricting User Activities Based on Session Data"](#) on page 7-22 for an example of how to create and use factor identities

Creating and Configuring a Factor Identity

To create and configure an identity:

1. In the Oracle Database Vault Administration page, select **Factors**.
2. In the Factors page, select the factor to which you want to add the identity.
3. Click **Edit**.
4. In the Edit Factor page, scroll down to Identities and click **Create**.
5. In the Create Identity page, enter the following settings and then click **OK**:
 - [General](#)
 - [Label Identity](#)

General

Enter the following values:

- **Value:** Enter the value of the identity, up to 1024 characters in mixed-case. This attribute is mandatory.
- **Trust Level:** Select one of the following trust levels:
 - **Very Trusted:** Assigns a trust level value of 10
 - **Trusted:** Assigns a trust level value of 5
 - **Somewhat Trusted:** Assigns a trust level value of 1
 - **Untrusted:** Assigns a trust level value of -1
 - **Trust Level Not Defined:** Assigns a trust level value of NULL (default)

Trust levels enable you to assign a numeric value to indicate the measure of trust allowed. A trust value of 1 signifies some trust. A higher value indicates a higher level of trust. A negative value or zero indicates distrust. When the factor identity returned from a factor retrieval method is not defined in the identity, Oracle Database Vault automatically assigns the identity a negative trust level.

To determine the trust level of a factor identity at run time, you can use the `GET_TRUST_LEVEL` and `GET_TRUST_LEVEL_FOR_IDENTITY` functions in the `DVSY` schema.

For example, suppose you have created a factor named `Network`. You can create the following identities for the `Network` factor:

- `Intranet`, with a trust level of 10
- `VPN` (virtual private network), with a trust level of 5
- `Public`, with a trust level of 1

You then can create rule expressions (or custom application code) that base policy decisions on the trust level. For example, you can use `DVSY.GET_TRUST_LEVEL` to find trust levels greater than 5:

```
DVSY.GET_TRUST_LEVEL('Network') > 5
```

Or, you can use a `SELECT` statement on the `DVSY.DBA_DV_IDENTITY` data dictionary view to find trust levels for the `Network` factor greater than or equal to 5:

```
SELECT VALUE, TRUST_LEVEL FROM DVSY.DBA_DV_IDENTITY
WHERE TRUST_LEVEL >= 5
AND FACTOR_NAME='Network'
```

Output similar to the following appears:

```
F$NETWORK GET_TRUST_LEVEL('NETWORK')
-----
VPN                               5
INTRANET                           10
```

In the preceding example, `Network` factor identity for `VPN` is trusted (value equals 5), and the identity for the `INTRANET` domain is 10, which implies a greater trust.

See [Chapter 15, "Using the Oracle Database Vault PL/SQL Interfaces"](#) for more information about the Oracle Database Vault functions.

Label Identity

You can assign Oracle Label Security (OLS) labels to factor identities. (In brief, a label acts as an identifier for a database table row to assign privileges to the row. For more information about labels, see *Oracle Label Security Administrator's Guide*.) The **Factor Labeling** attribute for a factor determines whether a factor is labeled **By Self** or **By**

Factors. If you set the **Factor Labeling** attribute to **By Self**, then you can associate OLS labels with the factor identities. If you set the **Factor Labeling** attribute to **By Factors**, then Oracle Database Vault derives the factor identity labels from the labeling of child factor identities. When there are multiple child factor identities with labels, Oracle Database Vault merges the labels using the OLS algorithm associated with the applicable factor Oracle Label Security policy.

To label an identity:

1. In the Create Identity page, under Label Identity, select the OLS label from the **Available OLS Labels** list.

The list shows data labels from the Oracle Label Security installation for your site. For more information, refer to *Oracle Label Security Administrator's Guide*.

Note: You can select multiple labels by holding down the Ctrl key as you click each label that is to be selected.

2. Click **Move** to move the OLS label to the **Selected OLS Labels** list.
3. Repeat Step 1 and Step 2 to select more OLS labels.
You can select only one label for each OLS policy.
4. Click **OK** to finish labeling the identity.

Editing a Factor Identity

To edit a factor identity:

1. In the Edit Factor page, scroll down to Identities and select the identity you want to edit.
2. Click **Edit**.
3. In the Edit Identity page, modify the identity as necessary.
4. Click **OK**.

Deleting a Factor Identity

Before you delete a factor identity, you can locate the various references to it by querying the factor-related Oracle Database Vault views. See "[Oracle Database Vault Data Dictionary Views](#)" on page 11-10 for more information.

To delete a factor identity:

1. In the Edit Factor page, scroll down to Identities and select the identity you want to remove.
2. Click **Remove**.
3. In the Confirmation page, click **Yes**.

Using Identity Mapping to Configure an Identity to Use Other Factors

After you create, edit, and save the factor identity, you can map it. Identity mapping is the process of identifying a factor by using other (child) factors. This is a way to transform combinations of factors into logical identities for a factor or to transform continuous identity values (for example, temperature) or large discrete identity values (for example, IP address ranges) into logical sets. To check configuration issues in the mapping for an identity, see "[Identity Configuration Issues Report](#)" on page 17-3. See

also ["Tutorial: Restricting User Activities Based on Session Data"](#) on page 7-22 for an example of how to use identity mapping.

To map an identity to a factor:

1. Create a parent factor and set the attribute **Factor Identification** to **By Factors**.
["Creating a Factor"](#) on page 7-3 describes how to create factors.
2. For the parent factor, create a new factor identity.
["Creating and Configuring a Factor Identity"](#) on page 7-10 describes how to create an identity.
3. Map the factor-identity pair of the parent to the factor-identity pairs of its children. Use the following process:

- a. In the Factors page, select the parent factor from the Factors page and then click **Edit**.
- b. In the Edit Factor page, under Identities, select the parent factor identity and then click **Edit**.
- c. In the Edit Identity page, click **Create** under Map Identity.
- d. In the Create Identity Map page, select a factor name from the **Contributing Factor** list.

This is the child factor to which you want to map the parent factor.

- e. Select a **Map Condition**.

This setting lets you select an operator to compare the contributing (child) factor values.

- f. Enter a value for the Low Value and High Value (optional) fields.

For example, consider a scenario where the Contributing Factor to the Factor Network is set to Client_IP, the **Map Condition** is set to *Between*, the **Low Value** is set to 192.0.2.1 and the **High Value** is set to 192.0.2.24. This means that whenever the client IP address lies in the specified address range of 192.0.2.1 to 192.0.2.24, the parent factor evaluates to a predefined identity (for example, INTRANET).

- g. Click **OK** to map the parent factor-identity to the child factor-identity.

You can map different identities of a parent factor to different identities of the contributing factor. For example, the INTRANET identity maps to an IP address range of 192.0.2.1 to 192.0.2.24. The REMOTE identity can map to an IP address range that excludes the address range 192.0.2.1 to 192.0.2.24.

Based on identity mapping, you can create a security policy. For example, you can define a reduced set of privileges for an employee connecting over VPN (with REMOTE), as opposed to an employee connecting from within the corporate network (with INTRANET).

- h. Repeat Step c to Step g to add more contributing factors for a parent factor identity.

For example, you can configure the Network factor to resolve to a value ACCOUNTING-SENSITIVE, when the Program factor resolves to "Oracle General Ledger" and the Client_IP is in between 192.0.2.1 and 192.0.2.24. So, if an authorized accounting financial application program, running on a client with IP address 192.0.2.12 accesses the database, then the Network factor is resolved to ACCOUNTING-SENSITIVE. A database session with the

ACCOUNTING-SENSITIVE Network value would have more access privileges than one with the INTRANET Network value.

Deleting a Factor

Before you delete a factor, you can locate the various references to the factor and its identities by querying the factor-related Oracle Database Vault views. See "[Oracle Database Vault Data Dictionary Views](#)" on page 11-10 for more information.

To delete a factor:

1. Delete any references to the factor, such as factor identities, and Oracle Label Security policy associations.
You cannot delete a factor that has references.
2. In the Oracle Database Vault Administration page, select **Factors**.
3. In the Factors page, select the factor that you want to remove.
4. Click **Remove**.
5. In the Confirmation page, click **Yes**.

How Factors Work

The following topics in this section explain how Oracle Database Vault processes factors:

- [How Factors Are Processed When a Session Is Established](#)
- [How Factors Are Retrieved](#)
- [How Factors Are Set](#)

How Factors Are Processed When a Session Is Established

When a database session is established, the following actions occur:

1. At the start of each database session, Oracle Database Vault begins to evaluate all default and user-created factors in the database instance.
This evaluation occurs after the normal database authentication of the session and the initialization of the Oracle Label Security session information, if applicable.
2. In the factor evaluation stage, the factor initialization process executes the retrieval method for all factors that are identified by methods or constants, to resolve the factor identity for the session.
The factor error options setting has no effect on the factor initialization process.
3. If a factor has a validation method defined, Oracle Database Vault validates the identity (value) of the factor by executing this validation method. If the validation method fails or returns false, the identity of the factor is undefined (NULL).
4. If a factor has any identities defined for it, Oracle Database Vault resolves the trust level of the factor based on the identities defined. If an identity of the factor is defined in this list of defined identities, then Oracle Database Vault assigns the trust level as configured; otherwise it sets it to -1. If there are no identities defined for the factor, the trust level is undefined (NULL).

5. Depending on the outcome of this factor evaluation, factor validation, and trust level resolution, Database Vault audits the details of the evaluation as dictated by the factor audit configuration.
6. When the evaluation of all factors that are identified by method or constant completes, Oracle Database Vault resolves the factors that are identified by other factors by using the identity maps that are defined for the factor configured identities.

The evaluation order of the factor-configured identities is by ASCII sort on the identity values: Oracle Database Vault uses the first alphabetically sorted identity mapping that it evaluates. For example, suppose factor TEST has identities X and Y. Furthermore, identities X and Y have identity maps that are dependent on identities for factors A, B, and C. The following mapping occurs:

- X is mapped when A=1 and B=1
- Y is mapped when A=1, B=1, and C=2

In this case, the first one evaluated is X. Y is not evaluated, but what if its C mapping meets the criteria that is needed for the TEST factor's success? You would need to reverse the mapping, that is, map Y before X so that A, B, and C can be evaluated first. To reverse the mapping, rename Y to V (or some alphabetic value that sorts before X) so that it can be correctly resolved.

This algorithm works if the ASCII sort ordering is correct and the identities map the same number factors at some level.

7. When the factor initialization completes, the Oracle Database Vault integration with Oracle Label Security occurs.

After this process completes, Oracle Database Vault checks to see if a command rule is associated with the `CONNECT` event. If a rule set associated with the `CONNECT` event, then Oracle Database Vault evaluates the rule set. If the rule set evaluates to false or results in an error, then the session is terminated. Oracle Database Vault executes any auditing or call handlers associated with the rule set before the session is terminated.

Note: Be careful about associating command rules with the `CONNECT` event, because you can inadvertently lock out other users from of the database. In general, if you create a command rule for `CONNECT`, set its evaluation option of the associated rule set to `Any True`.

If you do inadvertently lock out users, then you should temporarily disable Oracle Database Vault, disable the `CONNECT` command rule, re-enable Oracle Database Vault, and then fix the factor code that is causing the problem. "[If the Test Fails](#)" on page 7-20 provides an example of how to accomplish this.

How Factors Are Retrieved

You can retrieve a factor in a database session at any time by using the `DVF` factor function or the `DVSYS.GET_FACTOR` function. To find a listing of available factors, query the `DVS.DBA_DV_FACTOR` data dictionary view, described in "[DBA_DV_FACTOR View](#)" on page 11-13.

[Example 7-1](#) shows an example of using the `DVSYS.GET_FACTOR` function.

Example 7-1 Using DVSYS.GET_FACTOR to Retrieve a Factor

```
SELECT GET_FACTOR('client_ip') FROM DUAL;
```

You can use the factor values retrieved from the `DVF` factor function or the `DVSY.S.GET_FACTOR` in the following ways:

- Oracle Database Vault rule expressions
- Custom application code that is available to all database sessions in an Oracle Database Vault environment

"[Oracle Database Vault PL/SQL Factor Functions](#)" on page 15-5 describes `DVF` factor functions in detail.

If you had set the factor evaluation to **By Session**, then Oracle Database Vault retrieves the value from the session context established, as described under "[How Factors Are Processed When a Session Is Established](#)" on page 7-14.

If you had set the factor evaluation to **By Access**, then Oracle Database Vault performs Step 2 through Step 5 (or Step 6), as described under "[How Factors Are Processed When a Session Is Established](#)" on page 7-14, whenever the factor is retrieved.

If you had defined error options for the factor and if an error occurs, then Oracle Database Vault displays the error message.

How Factors Are Set

You can have a factor identity assigned at any time during a database session, but only if you have defined a factor assignment rule set and that rule set evaluates to true. You can do this in the application code by using the `DVSY.SET_FACTOR` function. In Java code, you can use the JDBC class `java.sql.CallableStatement` to set this value. For example:

```
java.sql.Connection connection ;
...
java.sql.CallableStatement statement =
    connection.prepareCall("{call DVSY.SET_FACTOR('FACTOR_X', ?)}");
statement.setString(1, "MyValue");
boolean result = statement.execute();
...
```

Applications that can execute Oracle PL/SQL functions can use this procedure (for example, applications written using Oracle Data Provider for .NET (ODP.NET)).

This concept is similar to the standard Oracle `DBMS_SESSION.SET_IDENTIFIER` procedure with an added feature that a rule set controls when a factor value can be set. If the rule set evaluates to true, Steps 2 through 5 under "[How Factors Are Processed When a Session Is Established](#)" on page 7-14 occur.

If you have not associated a assignment rule set for the factor or if the rule set returns false (or returns errors), then Oracle Database Vault sends an error message if you attempt to set the factor using the `DVSY.SET_FACTOR` function.

Tutorial: Preventing Ad Hoc Tool Access to the Database

This section contains:

- [About This Tutorial](#)
- [Step 1: Enable the SCOTT User Account](#)
- [Step 2: Create the Module Factor](#)
- [Step 3: Create the Limit SQL*Plus Access Rule and Rule Set](#)

- [Step 4: Create the CONNECT Command Rule](#)
- [Step 5: Test the Ad Hoc Tool Access Restriction](#)
- [Step 6: Remove the Components for This Tutorial](#)

See Also:

- ["Tutorial: Restricting User Activities Based on Session Data"](#) on page 7-22 for an example of using factor identity mapping
- ["Tutorial: Integrating Oracle Database Vault with Oracle Label Security"](#) on page 9-5 for an example of integrating an Oracle Database Vault factor with an Oracle Label Security label

About This Tutorial

Many database applications contain features to explicitly control the actions of a user. However, an ad hoc query tool, such as SQL*Plus, may not have these controls. As a result, a user could use an ad hoc tool to perform actions in the database that he or she would normally be prevented from performing in a regular database application. You can use a combination of Oracle Database Vault factors, rule sets, and command rules to prevent unauthorized access to the database by ad hoc query tools.

In the following tutorial, you limit the use of SQL*Plus to only four users: the Database Vault Owner, the Database Vault Account Manager, `SYSTEM`, and `SYS`. To accomplish this, you must create a factor to find the applications on your system and a rule and rule set to limit SQL*Plus to these four users. Then you create a command rule for the `CONNECT` SQL statement, which is associated with the rule set. When you successfully complete this tutorial, then only the administrative users you specify should be able to connect to the database using SQL*Plus.

Step 1: Enable the SCOTT User Account

You must use the `SCOTT` account later on when you test the Oracle Database Vault components for this tutorial, so ensure that this account is active.

1. Log in to SQL*Plus as a user who has been granted the `DV_ACCTMGR` role.

For example:

```
sqlplus amalcolm_dvacctmgr
Enter password: password
```

2. Check the status of the `SCOTT` account.

```
SELECT USERNAME, ACCOUNT_STATUS FROM DBA_USERS WHERE USERNAME = 'SCOTT';
```

3. If the `SCOTT` account is expired and locked, then enter the following statement to make it active:

```
ALTER USER SCOTT ACCOUNT UNLOCK IDENTIFIED BY password;
```

Replace `password` with a password that is secure.

Step 2: Create the Module Factor

The Module factor uses the `SYS_CONTEXT` SQL function to find the names of the applications that are used to access the current instance of Oracle Database. As described previously, the `SYS_CONTEXT` SQL function provides many useful methods

for finding the state of a user session. `SYS_CONTEXT` is a valuable tool for creating custom factors.

1. Log in to Oracle Database Vault Administrator as a user who has been granted the `DV_OWNER` or `DV_ADMIN` role.

["Starting Oracle Database Vault Administrator"](#) on page 3-1 explains how to log in.

2. In the Administration page, select **Factors**.

The Factors page appears.

3. Click **Create** to display the Create Factor page.

4. Enter the following information:

- **Name:** Enter `Module`.
- **Description:** Enter `Factor to find applications that can access Oracle Database`.
- **Factor Type:** From the list, select **Application**.
- **Factor Identification:** Select **By Method**.
- **Evaluation:** Select **By Access**.
- **Factor Labeling:** Select **By Self**.
- **Retrieval Method:** Enter the following retrieval method:
`UPPER(SYS_CONTEXT('USERENV', 'MODULE'))`
- **Validation Method:** Leave blank.
- **Assignment Rule Set:** From the list, select **<Non Selected>**.
- **Audit Options:** Select **Never**.
- **Error Options:** Select **Show Error Message**.

5. Click **OK**.

Oracle Database Vault creates the factor. You now can query for the factor using the same syntax you would use to query the default factors, described ["Oracle Database Vault PL/SQL Factor Functions"](#) on page 15-5.

6. In SQL*Plus, perform a quick test of the Module factor.

For example:

```
sqlplus lbrown_dvowner
Enter password: password

SELECT DVF.F$MODULE FROM DUAL;
```

The following output should appear:

```
F$MODULE
-----
SQLPLUS.EXE
```

Do not exit SQL*Plus. You must use it later on when you test the factor components.

Step 3: Create the Limit SQL*Plus Access Rule and Rule Set

1. In Oracle Database Vault Administrator, return to the Administration page.

2. Under Administration, select **Rule Sets**.

The Rule Sets page appears.

3. Click **Create** to display the Create Rule Set page.

4. Enter the following settings:

- **Name:** Enter `Limit SQL*Plus Access`.
- **Description:** Enter `Rule set to limit access to SQL*Plus`.
- **Status:** Select **Enabled**.
- **Evaluation Options:** Select **All True**.
- **Audit Options:** Select **Audit Disabled**.
- **Error Handling Options:** Select **Show Error Message**.
- **Fail Code, Fail Message:** Leave blank.
- **Custom Event Handler Option:** Select **Handler Disabled**.
- **Custom Event Handler Logic:** Leave blank.

5. Click **OK**.

The Rule Sets page appears.

6. Select the `Limit SQL*Plus` rule set and then click **Edit**.

The Edit Rule Set page appears.

7. Under Rules Associated To The Rule Set, click **Create**.

The Create Rule page appears.

8. Enter the following settings:

- **Name:** Enter `Prevent non-admin access to SQL*Plus`.
- **Rule Expression:** Enter the following rule expression:

```
DVF.F$MODULE = 'SQL*PLUS.EXE' AND DVF.F$SESSION_USER IN ('LBROWN_DVOWNER',
'AMALCOLM_DVACCTMGR', 'SYS', 'SYSTEM')
```

Replace `LBROWN_DVOWNER` and `AMALCOLM_DVACCTMGR` with the user account names that you use for the Database Vault Owner and Database Vault Account Manager accounts. You *must* enter the user account names in upper case letters, because that is how the database stores user account names.

This expression tells Oracle Database Vault only to allow these four users to use SQL*Plus. Another way to write the expression is to tell Database Vault to simply exclude certain users from using SQL*Plus. That way, everyone else has access to SQL*Plus. For example, to exclude users `JSMITH` and `TSMITH` from using SQL*Plus, you would create this expression:

```
DVF.F$MODULE != 'SQL*PLUS' AND DVF.F$SESSION_USER NOT IN ('JSMITH',
'TSMITH')
```

However, for this tutorial, use the first expression, in which only the four administrative users are allowed to use SQL*Plus.

9. Ensure that you have entered this rule expression *exactly* as shown in Step 8. If you enter it incorrectly, you cannot log in to SQL*Plus.

10. Click **OK**.

Step 4: Create the CONNECT Command Rule

The `CONNECT` command rule controls the `CONNECT SQL` statement. It also applies to logging into `SQL*Plus` from the command line or other tools your site may use to access `SQL*Plus`.

1. In Oracle Database Vault, return to the Administration page.
2. Select **Command Rules**.
The Command Rules page appears.
3. Click **Create** to display the Create Command Rule page.
4. Enter the following settings:
 - **Command:** Select **CONNECT** from the list.
 - **Status:** Select **Enabled**.
 - **Object Owner, Object Name:** Set to `%` so that the command rule applies to anyone who logs in.
 - **Rule Set:** Select **Limit SQL*Plus Access** from the list.
5. Click **OK**.

Step 5: Test the Ad Hoc Tool Access Restriction

You have been logged in to `SQL*Plus` all along, but note that you do not need to restart your `SQL*Plus` session in order for the Oracle Database Vault changes to take effect. They take effect right away.

1. In `SQL*Plus`, try to connect as user `SCOTT`:

```
CONNECT SCOTT
Enter password: password
```

The following output should appear:

```
ERROR:
ORA-47400: Command Rule violation for CONNECT on LOGON
```

```
Warning: You are no longer connected to ORACLE.
```

User `SCOTT` should be prevented from using `SQL*Plus`.

2. Now try to connect as user `SYSTEM`:

```
CONNECT SYSTEM
Enter password: password
Connected.
```

User `SYSTEM` should be able to log in to `SQL*Plus`. So should `SYS`, the Database Vault Owner account, and the Database Vault Account Manager account.

If the Test Fails

If you cannot log in to `SQL*Plus` as `SYSTEM` (or as any of the other administrative users listed in your rule expression), then you are prevented from using both `SQL*Plus` and Oracle Database Vault Administrator. But do not fear, you can remedy the problem as follows:

1. Temporarily disable Oracle Database Vault.

See [Appendix B, "Disabling and Enabling Oracle Database Vault"](#) for instructions on disabling Oracle Database Vault. After you disable Oracle Database Vault, you can log in to SQL*Plus.

2. Log in to SQL*Plus as a user who has been granted the DV_OWNER or DV_ADMIN role.

For example:

```
CONNECT lbrown_dvowner
Enter password: password
```

3. Enter the following statement to drop the CONNECT command rule.

```
EXEC DBMS_MACADM.DELETE_COMMAND_RULE ('CONNECT', '%', '%');
```

Even though you have disabled Oracle Database Vault, you still can use its PL/SQL Packages and Database Vault Administrator.

4. Exit SQL*Plus.
5. Re-enable Oracle Database Vault.

See [Appendix B, "Disabling and Enabling Oracle Database Vault"](#) for instructions on enabling Oracle Database Vault.

6. In Oracle Database Vault Administrator, check the rule expression for any errors and then correct them. Recreate the CONNECT command rule, and then test it.

Step 6: Remove the Components for This Tutorial

1. In Database Vault Administrator, return to the Administrator page.
2. Select **Command Rules**.
3. In the Command Rules page, select the CONNECT command rule, and then click **Remove**. Select **Yes** in the Confirmation page.
4. In the Administrator page, select **Rule Sets**.
5. In the Rule Sets page, select the Limit SQL*Plus Access rule set and click **Remove**. Select **Yes** in the Confirmation page.
6. In the Administration page, select **Factors**.
7. In the Factors page, select the Module factor, and then click **Remove**. Select **Yes** in the Confirmation page.
8. As the Database Vault Owner, log in to SQL*Plus and then remove the Prevent Non-admin access to SQL*Plus rule.

For example:

```
CONNECT lbrown_dvowner
Enter password: password
```

```
EXEC DBMS_MACADM.DELETE_RULE('Prevent non-admin access to SQL*Plus');
```

9. If necessary, connect as the Oracle Database Vault Account Manager and then lock and expire the SCOTT account.

For example:

```
CONNECT amalcolm_dvacctmgr
Enter password: password
```

```
ALTER USER SCOTT ACCOUNT LOCK PASSWORD EXPIRE;
```

Tutorial: Restricting User Activities Based on Session Data

This section contains:

- [About This Tutorial](#)
- [Step 1: Create an Administrative User](#)
- [Step 2: Add Identities to the Domain Factor](#)
- [Step 3: Map the Domain Factor Identities to the Client_IP Factor](#)
- [Step 4: Create a Rule Set to Set the Hours and Select the Factor Identity](#)
- [Step 5: Create a Command Rule That Uses the Rule Set](#)
- [Step 6: Test the Factor Identity Settings](#)
- [Step 7: Remove the Components for This Tutorial](#)

About This Tutorial

You can use factor identity mapping to set session-based user restrictions for database activities. For example, suppose you wanted to restrict administrative access to a database using the following criteria:

- Ensure that the administrator is accessing the database from the correct IP address.
- Limit the database access to the standard business hours of the administrator.

This type of configuration is useful for restricting different types of administrators: not only local, internal administrators, but offshore and contract administrators as well.

In this tutorial, you modify the Domain factor to include identities for a secure and non-secure network access, which are based on the IP address of the computer the administrator is using. If the administrator tries to perform an action outside the standard working hours or from a different IP address, then Oracle Database Vault prevents him from doing so.

Step 1: Create an Administrative User

1. In SQL*Plus, log in as a user who has been granted the DV_ACCTMGR role, and then create the user account `mwaldron`.

For example:

```
sqlplus amalcolm_dvacctmgr
Enter password: password
```

```
CREATE USER mwaldron IDENTIFIED BY password;
```

Replace `password` with a password that is secure.

2. Connect as SYS using the SYSDBA privilege, and then grant user `mwaldron` DBA privileges.

```
CONNECT SYS AS SYSDBA
Enter password: password
```

```
GRANT CREATE SESSION, DBA TO mwaldron;
```

Step 2: Add Identities to the Domain Factor

1. Log in to Oracle Database Vault Administrator as a user who has been granted the DV_OWNER or DV_ADMIN role.
["Starting Oracle Database Vault Administrator"](#) on page 3-1 explains how to log in.
2. In the Administration page, select **Factors**.
 The Factors page appears.
3. Select the Domain factor and then select **Edit**.
 The Domain factor is the parent factor.
4. Under Identities, select **Create**.
5. In the Create Identity page, enter the following information:
 - **Value:** Enter HIGHLY SECURE INTERNAL NETWORK
 - **Trust Level:** Select **Very Trusted**
6. Click **OK**.
7. In the Edit Factor:Domain page, create a second identity called NOT SECURE, and then set its trust level to Untrusted.

Step 3: Map the Domain Factor Identities to the Client_IP Factor

1. In Oracle Database Vault Administrator, in the Edit Factor: Domain page, select the HIGHLY SECURE INTERNAL NETWORK identity and then select **Edit**.
2. Under Map Identity, select **Create**.
3. In the Create Identity Map page, enter the following information:
 - **Contributing Factor:** Select **Client_IP** to be the child factor.
 - **Map Condition:** Select **Equal**, and then in the **Low Value** box, enter the IP address for the Virtual Machine (for example, 192.0.2.12, representing the computer that user maldron uses). For this tutorial, you can enter the IP address of your own computer. If you are using Microsoft Windows, then use the IP address assigned to the Loopback Adapter.
4. Click **OK**, and then click **OK** again to return to the Edit Factor: Domain page.
5. Create the following two identity maps for the NOT SECURE identity:

Child Factor Name	Operation Value	Operand 1	Operand 2
Client_IP	Less	192.0.2.5	(Leave blank)
Client_IP	Greater	192.0.2.20	(Leave blank)

The identity maps in the NOT SECURE identity are in a range of IP addresses outside the IP address that user maldron uses (192.0.2.12). The IP addresses here must be in any range *outside* maldron's IP address.

This identity mapping creates the following condition: If the user logs in from the correct IP address, then Oracle Database Vault decides that the connection is secure, through the HIGHLY SECURE INTERNAL NETWORK identity. However, if the user logs in from an IP address that is less than 192.0.2.5 or greater than 192.0.2.20, then the connection is deemed not secure, through the NO SECURE identity.

6. Click **OK** to return to the Edit Factor: Domain page, then click **OK** again to return to the Factors page.
7. Test the factor identities.

First, in SQL*Plus, connect as user `mwaldron` but do not specify a database instance.

```
CONNECT mwaldron
Enter password: password

SELECT DVF.F$CLIENT_IP FROM DUAL;
```

The following output should appear:

```
F$CLIENT_IP
-----
```

Next:

```
SELECT DVF.F$DOMAIN FROM DUAL;
```

The following output should appear:

```
F$DOMAIN
-----
NOT SECURE
```

Because user `mwaldron` is not connecting directly to the database instance, Oracle Database Vault does not recognize the IP address from which he is connecting. In this case, Oracle Database uses the IPC protocol to perform the connection, which sets the IP value to null. Therefore, the identity for this connection is set to `NOT SECURE`.

Now connect to SQL*Plus by specifying the database instance (for example, `orcl`) and then check the factor identities again:

```
CONNECT mwaldron@orcl
Enter password: password

SELECT DVF.F$CLIENT_IP FROM DUAL;
```

The following output should appear:

```
F$CLIENT_IP
-----
192.0.2.12
```

Next:

```
SELECT DVF.F$DOMAIN FROM DUAL;
```

The following output should appear:

```
F$DOMAIN
-----
HIGHLY SECURE INTERNAL NETWORK
```

Now that user `mwaldron` is connecting to the `orcl` database instance, his IP address is recognized. This is because the database uses the TCP protocol, so now the host IP value can be populated appropriately. Because the IP address is within the correct range, the factor identity is set to `HIGHLY SECURE INTERNAL NETWORK`.

Step 4: Create a Rule Set to Set the Hours and Select the Factor Identity

1. In Oracle Database Vault, return to the Administration page.
2. Select **Rule Sets**.
3. In the Rule Sets page, select **Create**.
4. In the Create Rule Set page, enter the following settings:
 - **Name:** Enter `Internal DBA Standard Working Hours`.
 - **Status:** Select **Enabled**.
 - **Evaluation Options:** Select **All True**.
 Leave the remaining settings at their defaults.
5. Click **OK**.
6. In the Rule Sets page, select the `Internal DBA Standard Working Hours` rule set, and then select **Edit**.
7. In the Edit Rule Set: `Internal DBA Standard Working Hours` page, under Rules Associated To The Rule Set, select **Create**.
8. In the Create Rule page, create the following rules:
 - **Name:** `Internal DBA`
Rule Expression: `DVF.F$SESSION_USER= 'MWALDRON'`
 (When you create an expression with a user name, enter the user name in upper case letters, because that is how the database stores user names.)
 - **Name:** `Internal Network Only`
Rule Expression: `DVF.F$DOMAIN= 'HIGHLY SECURE INTERNAL NETWORK'`
 - **Name:** `Week Day`
Rule Expression: `TO_CHAR(SYSDATE, 'D') BETWEEN '2' AND '6'`
 - **Name:** `Week Working Day Hours`
Rule Expression: `TO_CHAR(SYSDATE, 'HH24') BETWEEN '08' AND '19'`
9. Click **OK** to return to the Rule Sets page.

Step 5: Create a Command Rule That Uses the Rule Set

1. In Oracle Database Vault Administrator, return to the Administration page.
2. Select **Command Rules**, and in the Command Rules page, select **Create**.
3. In the Create Command Rule page, enter the following settings:
 - **Command:** Select **CREATE TABLE** from the list.
 - **Rule Set:** Select **Internal DBA Standard Working Hours** from the list.
 Leave the remaining settings at their defaults.
4. Click **OK**.

Step 6: Test the Factor Identity Settings

Test the settings by resetting the system clock, logging in as the `mwaldron` administrative user, and then trying to create a table.

1. Set the system time to 9 p.m.

UNIX: Log in as root and use the date command to set the time. For example, assuming the date today is December 14, 2011, you would enter the following:

```
su root
Password: password

date --set="14 DEC 2011 21:00:00"
```

Windows: Double-click the clock icon, which is typically at the lower right corner of the screen. In the Date and Time Properties window, set the time to 9 p.m., and then click **OK**.

2. In SQL*Plus, connect as user `mwaldron` and try to create a table. In the following, replace `orcl` with the name of your database instance.

```
CONNECT mwaldron@orcl
Enter password: password

CREATE TABLE TEST (num number);
```

The following output should appear:

```
ERROR at line 1:
ORA-00604: error occurred at recursive SQL level 1
ORA-47400: Command Rule violation for create table on MWALDRON.TEST
ORA-06512: at "DVSYS.AUTHORIZE_EVENT", line 55
ORA-06512: at line 31
```

Because user `mwaldron` is create a table outside working hours, Database Vault prevents him.

3. Reset the system time back to the local time.
4. In SQL*Plus, as user `mwaldron`, try to create the table again.

```
CREATE TABLE TEST (num number);

Table created.

DROP TABLE TEST;
Table dropped.
```

Now that user `maldrion` is working during his local hours and from the IP address associated with the `HIGHLY SECURE INTERNAL NETWORK` identity, he can create tables.

5. Reconnect as user `mwaldron` but without adding the database instance name to the connection command, and then try to select from the `OE.ORDERS` table again.

```
CONNECT mwaldron
Enter password: password

CREATE TABLE TEST (num number);
```

The following output should appear:

```
ERROR at line 1:
ORA-00604: error occurred at recursive SQL level 1
ORA-47400: Command Rule violation for create table on MWALDRON.TEST
ORA-06512: at "DVSYS.AUTHORIZE_EVENT", line 55
ORA-06512: at line 31
```


Even though user `mwaldron` is trying to create a table during the correct time, he cannot because is not directly logged in to the `orcl` database instance. Oracle Database Vault deems him to be using the NOT SECURE identity, and then denies him access.

Step 7: Remove the Components for This Tutorial

1. Log in to SQL*Plus as the `DV_ACCTMGR` user and drop user `mwaldron`.

```
sqlplus amalcolm_dvacctmgr
Enter password: password
```

```
DROP USER mwaldron CASCADE;
```

2. Remove the CREATE TABLE command rule.

Return the Administration page and select **Command Rules**. Select the CREATE TABLE command rule and then select **Remove**. In the Confirmation page, select **Yes**.

3. Remove the Internal DBA Standard Working Hours rule set.

In Oracle Database Vault Administrator, select **Rule Sets** in the Administration page. In the Rule Sets page, select the Internal DBA Standard Working Hours rule set, and then select **Remove**. In the Confirmation page, select **Yes**.

4. In SQL*Plus, delete the rules associated with the Internal DBA Standard Working Hours rule set.

```
CONNECT lbrown_dvowner
Enter password: password
```

```
EXEC DBMS_MACADM.DELETE_RULE('Internal DBA');
EXEC DBMS_MACADM.DELETE_RULE('Internal Network Only');
EXEC DBMS_MACADM.DELETE_RULE('Week Day');
EXEC DBMS_MACADM.DELETE_RULE('Week Day Working Hours');
COMMIT;
```

5. Remove the HIGHLY SECURE INTERNAL NETWORK and NOT SECURE factor identities from the Domain factor.

Return to the Administration page and select **Factors**. Select the Domain factor, select **Edit**, and under Identities, remove the HIGHLY SECURE INTERNAL NETWORK and NOT SECURE factor identities. In the Confirmation page, select **Yes**.

Guidelines for Designing Factors

Follow these guidelines for designing factors:

- You can use the Oracle utility packages such as `UTL_TCP`, `UTL_HTTP`, `DBMS_LDAP`, and `DBMS_PIPE` to integrate security or other contextual information about the session from external systems.
- Do not specify a retrieval method if the factor identification is set to **Identified By Factors**. Retrieval methods are only needed if you set the factor to **By Method** or **By Constant**.
- Consider using a validation method if a factor has an assignment rule set. Doing so helps to verify that invalid identities are not submitted.

- Use the client-supplied factors such as Program, OS User, and others with caution, because the values that are supplied can only be trusted when the client software is trusted and the communications channel from the client software is known to be secure.
- Only specify an evaluation option of **By Access** if the value returned by the retrieval method could change from one invocation to the next in the same session (for example, time-based factors).
- Optimize the internal logic of a function used for the factor retrieval method using traditional SQL and PL/SQL optimization techniques. For more information about performance and optimization, see *Oracle Database Performance Tuning Guide*.
- If the discrete values returned by the retrieval method are known, be sure to define identities for each value so that you can assign trust levels for them. Trust levels add value to factors as you also can use the trust level in application logic based on factors.
- A security policy based on more factors is generally considered stronger than one based on fewer factors. You can create a new factor that is identified by other factors to store combinations of factors into logical grouping using identity maps. This also makes it easier to label the parent factor when you integrate the factors with the Oracle Label Security labels. (See "[Integrating Oracle Database Vault with Oracle Label Security](#)" on page 9-2 for more information.)
- It is generally easier to configure and debug a factor that is labeled **By Self** than one labeled **By Factors** when integrating the Oracle Label Security.
- You can design a database client application to pass one or more security, end-user, or environmental attributes so that they are available to an associated database session. To do this, create a single factor for each attribute and then use an assignment rule set to control when these attributes can be assigned (for example only when using a specific Web application on specified named application server computers). Oracle Database Vault factors used in this fashion are very much like the Oracle procedure `DBMS_SESSION.SET_IDENTIFIER` but also include a capability to control when they can be set. For more information about the `DBMS_SESSION` package, see *Oracle Database PL/SQL Packages and Types Reference*.

How Factors Affect Performance

Each factor has elements that are processed, such as its validation method, trust level, and so on. For factors that are evaluated by the session, such as `Database_Hostname` and `Proxy_User`, Oracle Database Vault performs this processing during session initialization, and then caches the results for subsequent requests for that value.

The 17 default factors listed in "[Default Factors](#)" on page 7-2 are cached because they are likely candidates for a typical security policy. However, if you only use five factors (for example, in rule sets or other components, the other factors consume resources that could otherwise be used elsewhere). In this case, you should remove the unnecessary factors by deleting them. (Oracle Database Vault does not use any of these factors internally, so you can remove them if you do not need them.)

If you have a large number of users or if your application server frequently must create and destroy connections, the resources used can affect system performance. You can delete the unnecessary factors.

You can check system performance by running tools such as Oracle Enterprise Manager (including Oracle Enterprise Manager Database Control, which is installed by default with Oracle Database), `Statspack`, and `TKPROF`. For more information about

Oracle Enterprise Manager, see the Oracle Enterprise Manager documentation set. For information about Database Control, refer to its online Help. *Oracle Database Performance Tuning Guide* describes the Statspack and TKPROF utilities.

Related Reports and Data Dictionary Views

Table 7–1 lists Oracle Database Vault reports that are useful for analyzing factors and their identities. See Chapter 17, "Oracle Database Vault Reports" for information about how to run these reports.

Table 7–1 Reports Related to Factors and Their Identities

Report	Description
"Factor Audit Report" on page 17-4	Audits factors (for example, to find factors that failed to be evaluated)
"Factor Configuration Issues Report" on page 17-3	Lists configuration issues, such as disabled or incomplete rule sets, or to audit issues that may affect the factor
"Factor Without Identities Report" on page 17-3	Lists factors that have had no identities assigned yet
"Identity Configuration Issues Report" on page 17-3	Lists factors that have invalid label identities or no map for the identity
"Rule Set Configuration Issues Report" on page 17-4	Lists rule sets that have no rules defined or enabled, which may affect the factors that use them

Table 7–2 lists data dictionary views that provide information about existing factors and factor identities.

Table 7–2 Data Dictionary Views Used for Factors and Factor Identities

Data Dictionary View	Description
"DBA_DV_FACTOR View" on page 11-13	Lists the existing factors in the current database instance
"DBA_DV_FACTOR_LINK View" on page 11-15	Shows the relationships of each factor whose identity is determined by the association of child factors
"DBA_DV_FACTOR_TYPE View" on page 11-16	Lists the names and descriptions of factor types used in the system
"DBA_DV_IDENTITY View" on page 11-16	Lists the identities for each factor
"DBA_DV_IDENTITY_MAP View" on page 11-17	Lists the mappings for each factor identity

Configuring Secure Application Roles for Oracle Database Vault

This chapter contains:

- [What Are Secure Application Roles in Oracle Database Vault?](#)
- [Creating and Editing Secure Application Roles](#)
- [Securing a Secure Application Role](#)
- [Deleting a Secure Application Role](#)
- [How Secure Application Roles Work](#)
- [Tutorial: Granting Access with Database Vault Secure Application Roles](#)
- [How Secure Application Roles Affect Performance](#)
- [Related Reports and Data Dictionary View](#)

What Are Secure Application Roles in Oracle Database Vault?

In Oracle Database Vault, you can create a secure application role that you enable with an Oracle Database Vault rule set. Regular Oracle Database secure application roles are enabled by custom PL/SQL procedures. You use secure application roles to prevent users from accessing data from outside an application. This forces users to work within the framework of the application privileges that have been granted to the role.

The advantage of basing database access for a role on a rule set is that you can store database security policies in one central place, as opposed to storing them in all your applications. Basing the role on a rule set provides a consistent and flexible method to enforce the security policies that the role provides. In this way, if you must update the security policy for the application role, you do it in one place, the rule set. Furthermore, no matter how the user connects to the database, the result is the same, because the rule set is bound to the role. All you need to do is to create the role and then associate it with a rule set. All you need to do is to create the role and then associate it with a rule set. The associated rule set validates the user who is trying to enable the role.

You can run reports on secure application roles that you create in Oracle Database Vault. See "[Related Reports and Data Dictionary View](#)" on page 8-8 for more information.

This chapter explains how to configure secure application roles by using Oracle Database Vault Administrator. To configure secure application roles by using the PL/SQL interfaces and packages provided by Oracle Database Vault, refer to the following chapters:

- [Chapter 12, "Using the DBMS_MACADM Package"](#)
- [Chapter 15, "Using the Oracle Database Vault PL/SQL Interfaces"](#)

Creating and Editing Secure Application Roles

Follow these steps:

1. Create a rule set that contains at least one rule to set the conditions for allowing or disallowing the user to enable the role.

When you create the underlying rule for the rule set, remember that the rule should validate the user who is trying to enable the role. The rule should validate the user who is trying to log in. See [Chapter 5, "Configuring Rule Sets"](#) for more information about rule sets.

2. Log in to Oracle Database Vault Administrator as a user who has been granted the DV_OWNER or DV_ADMIN role.

["Starting Oracle Database Vault Administrator"](#) on page 3-1 explains how to log in.

3. In the Administration page, under Database Vault Feature Administration, click **Secure Application Roles**.

4. In the Secure Application Roles page:

- To create a new secure application role, click **Create**.
- To edit an existing secure application role, select it from the list and then click **Edit**.

Remember that you can modify an existing secure application role only if it has been created in Oracle Database Vault. You cannot modify secure application roles or database roles that have been created outside of Oracle Database Vault. If you want to modify an existing Oracle Database role so that it can work with Oracle Database Vault, create a new secure application role in Oracle Database Vault and then grant the existing role to the secure application role. For example, in SQL*Plus:

```
GRANT myExistingDBrole TO myDVrole;
```

After you create a new secure application role, you must modify your code to use this new role. You can use DBMS_MACSEC_ROLES.SET_ROLE in your application code to accomplish this. See ["SET_ROLE Procedure"](#) on page 13-2 for more information about the SET_ROLE function.

5. In the Create (or Edit) Role page, enter the following settings and then click **OK**.

- [General](#)
- [Rule Set](#)

General

Enter the following settings:

- **Role:** Enter the name using no more than 30 characters, with no spaces. Preferably, enter the role name in upper case letters, though you are not required to do so. Ensure that this name follows the standard Oracle naming conventions for role creation using the CREATE ROLE statement, described in *Oracle Database SQL Reference*. This attribute is mandatory.

- **Status:** Select either **Enabled** or **Disabled** to enable or disable the secure application role during run time. The default is **Enabled**. This attribute is mandatory.
 - **Enabled:** Enables the role to be available for use. That is, users are allowed to call the `DBMS_MACSEC_ROLES.SET_ROLE` function to try to enable the role. Note that whether or not the role will be enabled depends on the evaluation result of the associated rule set.
See "[SET_ROLE Procedure](#)" on page 13-2 for more information about this function.
 - **Disabled:** Disables the role from being available for use. The `DBMS_MACSEC_ROLES.SET_ROLE` function will not be able to enable the role.
See "[Oracle Database Vault PL/SQL Packages](#)" on page 15-17 for more information about the `DBMS_MACSEC_ROLES.SET_ROLE` function.

Rule Set

From the list, select the rule set that you want to associate with the secure application role. This attribute is mandatory.

When calling `DBMS_MACSEC_ROLES.SET_ROLE`, if the rule set evaluates to true, then Oracle Database Vault sets the role for the database session. If the rule set evaluates to false, then the role is not set.

See [Chapter 5, "Configuring Rule Sets"](#) for more information about rule sets.

Securing a Secure Application Role

Users who have database administrative privileges may try to use the `DROP ROLE SQL` statement to delete secure application roles that were created using Oracle Database Vault.

To prevent the database administrator from deleting a secure application role, when you create secure application roles, protect them by using a realm. To do so, add the role to a realm authorization. See "[Defining Realm Authorization](#)" on page 4-5 for more information.

Deleting a Secure Application Role

Before you delete a secure application role, you can locate the various references to it by querying the role-related Oracle Database Vault views. See "[Oracle Database Vault Data Dictionary Views](#)" on page 11-10 for more information.

To delete a secure application role:

1. Check and modify any applications that may be using the secure application role that you want to delete.
2. In the Oracle Database Vault Administration page, select **Secure Application Roles**.
3. In the Secure Application Roles page, select the role that you want to remove.
4. Click **Remove**.
5. In the Confirmation page, click **Yes**.

How Secure Application Roles Work

The process flow for a secure application role that is managed by Oracle Database Vault is as follows:

1. Create or update the role either in Oracle Database Vault Administrator or by using the secure application role-specific functions in the `DBMS_MACADM` package.

See "[Secure Application Role Procedures Within DBMS_MACADM](#)" on page 12-42 for more information.

2. Modify your application to call the role, by using the `DBMS_MACSEC_ROLES.SET_ROLE` function.

See "[SET_ROLE Procedure](#)" on page 13-2 for more information.

3. Oracle Database Vault then evaluates the rule set associated with the secure application role.

If the rule set evaluates to true, then Oracle Database Vault enables the role for the current session. If the rule set evaluates to false, the role is not enabled. In either case, Oracle Database Vault processes the associated auditing and custom event handlers for the rule set associated with the secure application role.

Tutorial: Granting Access with Database Vault Secure Application Roles

This section contains:

- [About This Tutorial](#)
- [Step 1: Create Users for This Tutorial](#)
- [Step 2: Enable the OE User Account](#)
- [Step 3: Create the Rule Set and Its Rules](#)
- [Step 4: Create the Database Vault Secure Application Role](#)
- [Step 5: Grant the SELECT Privilege to the Secure Application Role](#)
- [Step 6: Test the Database Vault Secure Application Role](#)
- [Step 7: Remove the Components for This Tutorial](#)

About This Tutorial

In this tutorial, you restrict the `SELECT SQL` statement on the `ORDERS` table in the `OE` schema to a specific set of users. Furthermore, these users can only perform these statements on the `OE.ORDERS` table from within the office, not from a remote connection. To accomplish this, you create an Oracle Database Vault secure application role that will be enabled for the user only if the user passes the checks enforced by the rule set that you associate with the secure application role.

Step 1: Create Users for This Tutorial

1. Log in to SQL*Plus as a user who has been granted the `DV_ACCTMGR` role.

For example:

```
sqlplus amalcolm_dvacctmgr
Enter password: password
```

2. Create the following user accounts:


```
CREATE USER eabel IDENTIFIED BY password;
CREATE USER ahutton IDENTIFIED BY password;
CREATE USER ldoran IDENTIFIED BY password;
```

3. Connect as SYS using the SYSDBA privilege, and then grant these users the CREATE SESSION privilege.

```
CONNECT SYS AS SYSDBA
Enter password: password
```

```
GRANT CREATE SESSION TO eabel, ahutton, ldoran;
```

Step 2: Enable the OE User Account

1. In SQL*Plus, connect as the DV_ACCTMGR user.

For example:

```
CONNECT amalcolm_dvacctmgr
Enter password: password
```

2. Check the account status of the OE account.

```
SELECT USERNAME, ACCOUNT_STATUS FROM DBA_USERS WHERE USERNAME = 'OE';
```

3. If the OE account is locked and expired, unlock it and assign it a new password.

```
ALTER USER OE ACCOUNT UNLOCK IDENTIFIED BY password;
```

Step 3: Create the Rule Set and Its Rules

1. Log in to Oracle Database Vault Administrator as a user who has been granted the DV_OWNER or DV_ADMIN role.

"Starting Oracle Database Vault Administrator" on page 3-1 explains how to log in.

2. In the Administration page, select **Rule Sets**.

The Rule Sets page appears.

3. Click **Create**.

The Create Rule Set page appears.

4. Enter the following information:

- **Name:** Can Modify Orders
- **Description:** Rule set to control who can modify orders in the OE.ORDERS table

5. Leave the remaining settings and their defaults, and then click **OK**.

6. In the Rule Sets page, select the Can Modify Orders rule set, and then click **Edit**.

The Edit Rule Set: Can Modify Orders page appears.

7. Scroll to the bottom of the page and under Rules Associated To The Rule Set, click **Create**.

8. Create the following two rules:

Rule Name	Rule Expression
Check IP Address	DVF.F\$CLIENT_IP = '192.0.2.12'

```
Check Session User      DVF.F$SESSION_USER IN ('EABEL', 'AHUTTON')
```

For the Check IP Address rule, replace 123.45.67.89 with the IP address for your own computer. In a real-world scenario, you would create an expression that includes all the IP addresses for the users who should be allowed access.

Both of these rules use the default factors Client_IP and Session_User. See ["Default Factors"](#) on page 7-2 for more information about these factors. If these factors have been removed or modified, you can use the following rule expressions instead:

- **Check IP Address:** UPPER(SYS_CONTEXT('USERENV', 'IP_ADDRESS')) = '192.0.2.12'
- **Check Session User:** UPPER(SYS_CONTEXT('USERENV', 'SESSION_USER')) IN ('EABEL', 'AHUTTON')

9. Ensure that the **Status** setting for the Can Modify Orders table is set to **Enabled** and **Evaluation Options** is set to **All True**.
10. Click **OK**.

Step 4: Create the Database Vault Secure Application Role

1. In Oracle Database Vault, return to the Administration page.
2. Under Administration, select **Secure Application Roles**.
The Secure Application Roles page appears.
3. Click **Create**.
The Create Role page appears.
4. In the **Role** box, enter ORDERS_MGMT to name the role.
5. Under Rule Set, select **Can Modify Orders**.
6. Click **OK**.

At this stage, the Database Vault secure application role and its associated rule set are created, though the role does not yet have any privileges.

Step 5: Grant the SELECT Privilege to the Secure Application Role

1. In SQL*Plus, connect as user OE.

```
CONNECT OE
Enter password: password
```
2. Grant the SELECT privilege to the ORDERS_MGMT Database Vault Secure application role.

```
GRANT SELECT ON ORDERS TO ORDERS_MGMT;
```

Step 6: Test the Database Vault Secure Application Role

1. In SQL*Plus, connect directly to the database as user eabel.

```
CONNECT eabel@orcl
Enter password: password
```


Replace orcl with the name of your database instance.
2. Set the ORDERS_MGMT role.

```
EXEC DBMS_MACSEC_ROLES.SET_ROLE('ORDERS_MGMT');
```

Typically, you would embed this call in the application that the user logs in to.

3. Select from the OE.ORDERS table.

```
SELECT COUNT(*) FROM OE.ORDERS;
```

The following output should appear:

```

COUNT(*)
-----
          105

```

Because user eabel is logging directly into the database from the correct IP address and is listed as a valid session user, she can select from the OE.ORDERS table. If user ahutton logs in to SQL*Plus in the same manner, she also can select from the OE.ORDERS table.

4. Reconnect as user eabel without specifying the database instance, and then try to select from the OE.ORDERS table again.

```

CONNECT eabel
Enter password: password

EXEC DBMS_MACSEC_ROLES.SET_ROLE('ORDERS_MGMT');
```

The following output should appear:

```

Error at line 1:
ORA-47305: Rule Set Violation on SET ROLE (Can Modfiy Orders)
...
```

Next:

```
SELECT COUNT(*) FROM OE.ORDERS;
```

The following output should appear:

```

ERROR at line 1:
ORA-00942: table or view does not exist
```

Even though user eabel is a valid user, she has violated the Check IP Address rule in the rule set, so she is not granted the ORDERS_MGMT role. The only way for the IP address to be recognized is to connect by specifying the database instance, as user eabel did in Step 1. (For an explanation about how this works, see Step 7 in "[Step 3: Map the Domain Factor Identities to the Client_IP Factor](#)" on page 7-23, in [Chapter 7](#).)

5. Connect as user ldoran and then enter the following statements:

```

EXEC DBMS_MACSEC_ROLES.SET_ROLE('ORDERS_MGMT');
SELECT COUNT(*) FROM OE.ORDERS;
```

Because user ldoran is not a valid user, she is not granted the ORDERS_MGMT role. Therefore, she cannot select from the OE.ORDERS table.

Step 7: Remove the Components for This Tutorial

1. Log into SQL*Plus as the DV_OWNER or DV_ADMIN user.

For example:

```
CONNECT lbrown_dvowner
Enter password: password
```

2. Delete the ORDERS_MGMT secure application role.

```
EXEC DBMS_MACADM.DELETE_ROLE('ORDERS_MGMT');
```

3. Enter the following commands in the order shown to remove the Can Modify Orders rule set.

```
EXEC DBMS_MACADM.DELETE_RULE_FROM_RULE_SET('Can Modify Orders', 'Check IP
Address');
EXEC DBMS_MACADM.DELETE_RULE_FROM_RULE_SET('Can Modify Orders', 'Check Session
User');
EXEC DBMS_MACADM.DELETE_RULE('Check IP Address');
EXEC DBMS_MACADM.DELETE_RULE('Check Session User');
EXEC DBMS_MACADM.DELETE_RULE_SET('Can Modify Orders');
COMMIT;
```

4. Connect as the Database Vault Account Manager and drop the users.

For example:

```
CONNECT amalcolm_dvacctmgr
Enter password: password
```

```
DROP USER eabel;
DROP USER ahutton;
DROP USER ldoran;
```

5. If unnecessary, lock and expire the OE user account.

```
ALTER USER OE ACCOUNT LOCK PASSWORD EXPIRE;
```

How Secure Application Roles Affect Performance

You can check system performance by running tools such as Oracle Enterprise Manager (including Oracle Enterprise Manager Database Control, which is installed by default with Oracle Database), Statspack, and TKPROF. For more information about Oracle Enterprise Manager, see the Oracle Enterprise Manager documentation set. For information about Database Control, refer to its online Help. *Oracle Database Performance Tuning Guide* describes the Statspack and TKPROF utilities.

Related Reports and Data Dictionary View

Table 8–1 lists Oracle Database Vault reports that are useful for analyzing Oracle Database Vault secure application roles. See [Chapter 17, "Oracle Database Vault Reports"](#) for information about how to run these reports.

Table 8–1 Reports Related to Secure Application Roles

Report	Description
"Secure Application Role Audit Report" on page 17-5	Lists audit records generated by the Oracle Database Vault secure application role-enabling operation. To generate this type of audit record, enable auditing for the rule set associated with the role.

Table 8–1 (Cont.) Reports Related to Secure Application Roles

Report	Description
"Secure Application Configuration Issues Report" on page 17-4	Lists secure application roles that have nonexistent database roles, or incomplete or disabled rule sets
"Rule Set Configuration Issues Report" on page 17-4	Lists rule sets that have no rules defined or enabled, which may affect the secure application roles that use them
"Powerful Database Accounts and Roles Reports" on page 17-9	Provides information about powerful database accounts and roles

You can use the `DBA_DV_ROLE` data dictionary view to find the Oracle Database Vault secure application roles used in privilege management. See ["DBA_DV_ROLE View"](#) on page 11-21 for more information.

Integrating Oracle Database Vault with Other Oracle Products

This chapter contains:

- [Integrating Oracle Database Vault with Enterprise User Security](#)
- [Attaching Factors to an Oracle Virtual Private Database](#)
- [Integrating Oracle Database Vault with Oracle Label Security](#)

Integrating Oracle Database Vault with Enterprise User Security

You can integrate Oracle Database Vault with Oracle Enterprise User Security. Enterprise User Security enables you to centrally manage database users and authorizations in one place. It is combined with Oracle Identity Management and is available in Oracle Database Enterprise Edition.

In general, to integrate Oracle Database Vault with Oracle Enterprise User Security, you configure the appropriate realms to protect the data that you want to protect in the database.

After you define the Oracle Database Vault roles as needed, you can create a rule set for the Enterprise users to allow or disallow their access.

To configure an Enterprise User authorization:

1. Create a rule to allow or disallow user access.

Follow the instructions in "[Creating a Rule to Add to a Rule Set](#)" on page 5-5 to create a new rule. In the Create Rule page, enter the following PL/SQL in the Rule Expression field:

```
SYS_CONTEXT('USERENV','EXTERNAL_NAME') = 'user_domain_name'
```

Replace *user_domain_name* with the domain, for example:

```
SYS_CONTEXT('USERENV','EXTERNAL_NAME') = 'myserver.us.example.com'
```

2. Add this rule to a new rule set.

"[Creating a Rule Set](#)" on page 5-2 explains how to create a new rule set, including how to add an existing rule to it.

3. Add this rule set to the realm authorization for the database that you want to protect.

"[Defining Realm Authorization](#)" on page 4-5 explains how to create realm authorizations. In the Authorization Rule Set list, select the rule set that you

created in Step 2. Afterward, the realm authorization applies to all users.

For more information about Enterprise User Security, see *Oracle Database Advanced Security Administrator's Guide*.

Attaching Factors to an Oracle Virtual Private Database

You can attach factors to an Oracle Virtual Private Database. To do so, define a policy predicate that is a PL/SQL function or expression. Then, for each function or expression, you can use the `DVF.F$` PL/SQL function that is created for each factor.

Integrating Oracle Database Vault with Oracle Label Security

This section includes the following topics:

- [How Oracle Database Vault Is Integrated with Oracle Label Security](#)
- [Requirements for Using Oracle Database Vault with Oracle Label Security](#)
- [Using Oracle Database Vault Factors with Oracle Label Security Policies](#)
- [Tutorial: Integrating Oracle Database Vault with Oracle Label Security](#)
- [Related Reports and Data Dictionary Views](#)

How Oracle Database Vault Is Integrated with Oracle Label Security

When you integrate Oracle Database Vault with Oracle Label Security, it means that you can assign an Oracle Label Security label to an Oracle Database Vault factor identity.

In Oracle Label Security, you can restrict access to records in database tables or PL/SQL programs. For example, Mary may be able to see data protected by the HIGHLY SENSITIVE label, an Oracle Label Security label on the `EMPLOYEE` table that includes records that should have access limited to certain managers. Another label can be PUBLIC, which allows more open access to this data.

In Oracle Database Vault, you can create a factor called Network, for the network on which the database session originates, with the following identities:

- **Intranet:** Used for when an employee is working on site within the intranet for your company.
- **Remote:** Used for when the employee is working at home from a VPN connection.

You then assign a maximum session label to both. For example:

- Assign the Intranet identity to the HIGHLY SENSITIVE Oracle Label Security label.
- Assign the Remote identity to the PUBLIC label.

This means that when Mary is working at home using her VPN connection, she has access only to the limited table data protected under the PUBLIC identity. But when she is in the office, she has access to the HIGHLY SENSITIVE data, because she is using the Intranet identity. "[Tutorial: Integrating Oracle Database Vault with Oracle Label Security](#)" on page 9-5 provides an example of how to accomplish this type of integration.

You can audit the integration with Oracle Label Security by using the Label Security Integration Audit Report. See "[Label Security Integration Audit Report](#)" on page 17-5 for more information. Oracle Database Vault writes the audit trail to the `DVSYS.AUDIT_`

TRAIL\$ system file, described in [Appendix A, "Auditing Oracle Database Vault."](#)

You can use the Oracle Database Vault APIs to integrate Oracle Database Vault with Oracle Label Security. See [Chapter 12, "Using the DBMS_MACADM Package"](#) for more information.

For more information about Oracle Label Security labels, levels, and policies, see *Oracle Label Security Administrator's Guide*.

You can run reports on the Oracle Database Vault and Oracle Label Security integration. See ["Related Reports and Data Dictionary Views"](#) on page 9-9 for more information.

Requirements for Using Oracle Database Vault with Oracle Label Security

You must have the following requirements in place before you use Oracle Database Vault with Oracle Label Security:

- Oracle Label Security is licensed separately. Ensure that you have purchased a license to use it.
- Before you install Oracle Database Vault, you must have already installed Oracle Label Security.
- Ensure that you have the appropriate Oracle Label Security policies defined. For more information, see *Oracle Label Security Administrator's Guide*.
- If you plan to integrate an Oracle Label Security policy with a Database Vault policy, then ensure that the policy name for Oracle Label Security is less than 24 characters. You can check the names of Oracle Label Security policies by querying the POLICY_NAME column of the ALL_SA_POLICIES data dictionary view.

Using Oracle Database Vault Factors with Oracle Label Security Policies

Oracle Database Vault controls the maximum security clearance for a database session by merging the maximum allowable data for each label in a database session by merging the labels of Oracle Database Vault factors that are associated to an Oracle Label Security policy. In brief, a label acts as an identifier for the access privileges of a database table row. A policy is a name associated with the labels, rules, and authorizations that govern access to table rows. See *Oracle Label Security Administrator's Guide* for more information about row labels and policies.

Use the following steps to define factors that contribute to the maximum allowable data label of an Oracle Label Security policy:

1. Log in to Oracle Database Vault Administrator as a user who has been granted the DV_OWNER or DV_ADMIN role.
["Starting Oracle Database Vault Administrator"](#) on page 3-1 explains how to log in.
2. Make the user LBACSYS account an owner of the realm that contains the schema to which a label security policy has been applied.

This enables the LBACSYS account to have access to all the protected data in the realm, so that it can properly classify the data.

The LBACSYS account is created in Oracle Label Security using the Oracle Universal Installer custom installation option. Before you can create an Oracle Label Security policy for use with Oracle Database Vault, you must make LBACSYS an owner for the realm you plan to use. See ["Defining Realm Authorization"](#) on page 4-5 for more information.

3. Authorize the schema owner (on which the label security policy has been applied) as either a realm participant or a realm owner.
4. In the Administration page, under Database Vault Feature Administration, click **Label Security Integration**.
5. In the Label Security Policies page:
 - To register a new label security policy, click **Create**.
 - To edit an existing label security policy, select it from the list and then click **Edit**.
6. Enter the following settings and then click **OK**:
 - [General](#)
 - [Label Security Policy Factors](#)

General

Under General, enter the following settings:

- **Label Security Policy:** From the list, select the Oracle Label Security policy that you want to use.
- **Algorithm:** Optionally change the label-merging algorithm for cases when Oracle Label Security has merged two labels. In most cases, you may want to select **LII - Minimum Level/Intersection/Intersection**. This setting is the most commonly used method that Oracle Label Security administrators use when they want to merge two labels. This setting provides optimum flexibility when your applications must determine the resulting label that is required when combining two data sets that have different labels. It is also necessary for situations in which you must perform queries using joins on rows with different data labels.

For more information on these label-merging algorithms, see *Oracle Label Security Administrator's Guide*. If you want to use the `DBMS_MACADM` package to specify a merge algorithm, see [Table 12-57, "Oracle Label Security Merge Algorithm Codes"](#) on page 12-45 for a full listing of possible merge algorithms.

- **Label for Initialization Errors:** Optionally enter a label for initialization errors. The label specified for initialization errors is set when a configuration error or run-time error occurs during session initialization. You can use this setting to assign the session a data label that prevents access or updates to any data the policy protects until the issue is resolved.

Label Security Policy Factors

To select a factor to associate with an Oracle Label Security policy:

1. In the **Available Factors** list under Label Security Policy Factors, select the factor that you want to associate with the Oracle Label Security policy.
2. Click **Move** to move the factor to the **Selected Factors** list.

Note: You can select multiple factors by holding down the **Ctrl** key as you click each factor that you want to select.

After you associate a factor with an Oracle Label Security policy, you can label the factor identities using the labels for the policy. "[Adding an Identity to a Factor](#)" on page 7-10 provides detailed information.

Note: If you do not associate an Oracle Label Security policy with factors, then Oracle Database Vault maintains the default Oracle Label Security behavior for the policy.

Tutorial: Integrating Oracle Database Vault with Oracle Label Security

This section contains:

- [About This Tutorial](#)
- [Step 1: Create Users for This Tutorial](#)
- [Step 2: Create the Oracle Label Security Policy](#)
- [Step 3: Create Oracle Database Vault Rules to Control the OLS Authorization](#)
- [Step 4: Update the ALTER SYSTEM Command Rule to Use the Rule Set](#)
- [Step 5: Test the Authorizations](#)
- [Step 6: Remove the Components for This Tutorial](#)

About This Tutorial

You can use Oracle Database Vault factors with Oracle Label Security and Oracle Virtual Private Database (VPD) technology to restrict access to sensitive data. You can restrict this data so that it is only exposed to a database session when the correct combination of factors exists, defined by the security administrator, for any given database session.

This tutorial shows how you can integrate Oracle Database Vault with Oracle Label Security to grant two administrative users who normally have the same privileges different levels of access.

Step 1: Create Users for This Tutorial

1. Log in to SQL*Plus as a user who has been granted the DV_ACCTMGR role.

For example:

```
sqlplus amalcolm_dvacctmgr
Enter password: password
```

2. Create the following users:

```
CREATE USER mdale IDENTIFIED BY password;
CREATE USER jsmith IDENTIFIED BY password;
```

3. Connect as user SYS with the SYSDBA privilege and then grant administrative privileges to users mdale and jsmith.

```
CONNECT SYS AS SYSDBA
Enter password: password
```

```
GRANT CREATE SESSION, DBA TO mdale, jsmith;
```

At this stage, users mdale and jsmith have identical administrative privileges.

Step 2: Create the Oracle Label Security Policy

1. In SQL*Plus, connect as the Oracle Label Security administrator, LBACSYS.

```
CONNECT LBACSYS
```

Enter password: *password*

If user LBACSYS is locked and expired, connect as the Database Vault Account Manager, unlock and unexpire the LBACSYS account, and then log back in as LBACSYS.

For example:

```
CONNECT amalcolm_dvacctmgr
Enter password: password
```

```
ALTER USER LBACSYS ACCOUNT UNLOCK IDENTIFIED BY password;
```

```
CONNECT LBACSYS
Enter password: password
```

2. Create a new Oracle Label Security policy:

```
EXEC SA_SYSDBA.CREATE_POLICY('PRIVACY', 'PRIVACY_COLUMN', 'NO_CONTROL');
```

3. Create the following levels for the PRIVACY policy:

```
EXEC SA_COMPONENTS.CREATE_LEVEL('PRIVACY', 2000, 'S', 'SENSITIVE');
EXEC SA_COMPONENTS.CREATE_LEVEL('PRIVACY', 1000, 'C', 'CONFIDENTIAL');
```

4. Create the PII compartment.

```
EXEC SA_COMPONENTS.CREATE_COMPARTMENT('PRIVACY', 100, 'PII', 'PERS_INFO');
```

5. Grant users mdale and jsmith the following labels:

```
EXEC SA_USER_ADMIN.SET_USER_LABELS('PRIVACY', 'mdale', 'S:PII');
EXEC SA_USER_ADMIN.SET_USER_LABELS('PRIVACY', 'jsmith', 'C');
```

User mdale is granted the more sensitive label, Sensitive, which includes the PII compartment. User jsmith gets the Confidential label, which is less sensitive.

Step 3: Create Oracle Database Vault Rules to Control the OLS Authorization

1. Connect to SQL*Plus as the Database Vault Owner.

For example:

```
CONNECT lbrown_dvowner
Enter password: password
```

2. Create the following rule set:

```
EXEC DBMS_MACADM.CREATE_RULE_SET('PII Rule Set',
  'Protect PII data from privileged users', 'Y', 1, 0, 2, NULL, NULL, 0, NULL);
```

3. Create a rule for the PII Rule Set.

```
EXEC DBMS_MACADM.CREATE_RULE('Check OLS Factor',
  'dominates(sa_utl.numeric_label(''PRIVACY''),
  char_to_label(''PRIVACY'', ''S:PII'')) = ''1''');
```

Ensure that you use single quotes, as shown in this example, and not double quotes.

4. Add the Check OLS Factor rule to the PII Rule Set.

```
EXEC DBMS_MACADM.ADD_RULE_TO_RULE_SET('PII Rule Set',
  'Check OLS Factor');
```

5. Synchronize the Check OLS factor rule.

```
EXEC DBMS_MACADM.SYNC_RULES;
COMMIT;
```

Step 4: Update the ALTER SYSTEM Command Rule to Use the Rule Set

1. As the Database Vault Owner, check the current value of the ALTER SYSTEM command rule, which is one of the default command rules when you install Oracle Database Vault.

```
SELECT * FROM DVSYS.DBA_DV_COMMAND_RULE WHERE COMMAND = 'ALTER SYSTEM';
```

2. Make a note of these settings so that you can revert them to their original values later on.

In a default installation, the ALTER SYSTEM command rule uses the Allow System Parameters rule set, has no object owner or name, and is enabled.

3. Update the ALTER SYSTEM command rule to include the PII Rule Set.

```
EXEC DBMS_MACADM.UPDATE_COMMAND_RULE('ALTER SYSTEM', 'PII Rule Set', '%', '%',
'Y');
```

This command adds the PII Rule Set to the ALTER SYSTEM command rule, applies it to all object owners and object names, and enables the command rule.

Step 5: Test the Authorizations

1. In SQL*Plus, log on as user mdale.

```
CONNECT mdale
Enter password: password
```

2. Check the current setting for the AUDIT_TRAIL initialization parameter.

```
SHOW PARAMETER AUDIT_TRAIL
```

NAME	TYPE	VALUE
audit_trail	string	DB

Make a note of this setting, so that you can revert it to its original setting later on.

3. As user mdale, use the ALTER SYSTEM statement to modify the AUDIT_TRAIL parameter.

```
ALTER SYSTEM SET AUDIT_TRAIL=OS, EXTENDED SCOPE=SPFILE;
System altered.
```

Because user mdale was assigned the Sensitive label with the PII compartment, he can use the ALTER SYSTEM statement to modify the AUDIT_TRAIL system parameter.

4. Set the AUDIT_TRAIL parameter back to its original value, for example:

```
ALTER SYSTEM SET AUDIT_TRAIL=DB, EXTENDED SCOPE=SPFILE;
```

5. Log in as user jsmith and then issue the same ALTER SYSTEM statement:

```
CONNECT jsmith
Enter password: password
```

```
ALTER SYSTEM SET AUDIT_TRAIL=OS, EXTENDED SCOPE=SPFILE;
```

The following output should appear:

```
ERROR at line 1:  
ORA-01031: insufficient privileges
```

Because user `jsmith` was assigned only the Confidential label, he cannot perform the `ALTER SYSTEM` statement.

6. Now log in as user `SYSTEM`, who normally has the `ALTER SYSTEM` privilege, and issue the same `ALTER SYSTEM` statement:

```
CONNECT SYSTEM  
Enter password: password
```

The following output should appear:

```
ERROR at line 1:  
ORA-01031: insufficient privileges
```

`SYSTEM` no longer has sufficient privileges needed to perform an `ALTER SYSTEM` statement. Only users who have been assigned the Sensitive label, as with user `mdale`, can use the `ALTER SYSTEM` statement.

Step 6: Remove the Components for This Tutorial

1. Connect as the Oracle Label Security administrator and remove the label policy and its components.

```
CONNECT LBACSYS  
Enter password: password  
  
EXEC SA_SYSDBA.DROP_POLICY('PRIVACY', TRUE);
```

2. Connect as the Oracle Database Vault Owner and issue the following commands in the order shown, to set the `ALTER SYSTEM` command rule back to its previous setting and remove the rule set.

For example:

```
CONNECT lbrown_dvowner  
Enter password: password  
  
EXEC DBMS_MACADM.UPDATE_COMMAND_RULE('ALTER SYSTEM', 'Allow System  
Parameters', '%', '%', 'Y');  
EXEC DBMS_MACADM.DELETE_RULE_FROM_RULE_SET('PII Rule Set', 'Check OLS Factor');  
EXEC DBMS_MACADM.DELETE_RULE('Check OLS Factor');  
EXEC DBMS_MACADM.DELETE_RULE_SET('PII Rule Set');  
COMMIT;
```

3. Connect as the Database Vault Account Manager and remove users `mdale` and `jsmith`.

```
CONNECT amalcolm_dvacctmgr  
Enter password: password  
  
DROP USER mdale;  
DROP USER jsmith;
```

Related Reports and Data Dictionary Views

[Table 9–1](#) lists Oracle Database Vault reports that are useful for analyzing the integration of Oracle Database Vault and Oracle Label Security. See [Chapter 17](#), "Oracle Database Vault Reports" for information about how to run these reports.

Table 9–1 Reports Related to Database Vault and Oracle Label Security Integration

Report	Description
"Factor Configuration Issues Report" on page 17-3	Lists factors in which the Oracle Label Security policy does not exist.
"Identity Configuration Issues Report" on page 17-3	Lists invalid label identities (the Oracle Label Security label for this identity has been removed and no longer exists).
"Security Policy Exemption Report" on page 17-10	Lists accounts and roles that have the EXEMPT ACCESS POLICY system privilege granted to them. Accounts that have this privilege can bypass all Virtual Private Database policy filters and any Oracle Label Security policies that use Oracle Virtual Private Database indirectly.

[Table 9–2](#) lists data dictionary views that provide information about existing Oracle Label Security policies used with Oracle Database Vault.

Table 9–2 Data Dictionary Views Used for Oracle Label Security

Data Dictionary View	Description
"DBA_DV_MAC_POLICY View" on page 11-17	Lists the Oracle Label Security policies defined
"DBA_DV_MAC_POLICY_FACTOR View" on page 11-18	Lists the factors that are associated with Oracle Label Security policies
"DBA_DV_POLICY_LABEL View" on page 11-19	Lists the Oracle Label Security label for each factor identifier in the DBA_DV_IDENTITY view for each policy

DBA Operations in an Oracle Database Vault Environment

This chapter contains:

- [Using Oracle Database Vault with Oracle Enterprise Manager Grid Control](#)
- [Using Oracle Database Vault with Oracle Recovery Manager](#)

Using Oracle Database Vault with Oracle Enterprise Manager Grid Control

This section contains:

- [Setting the Database Vault Administrator URL in Oracle Enterprise Manager](#)
- [Propagating Oracle Database Vault Policies to Other Databases](#)
- [Using Enterprise Manager Grid Control Alerts for Oracle Database Vault Policies](#)
- [Using Oracle Database Vault-Specific Reports in Enterprise Manager Grid Control](#)

Setting the Database Vault Administrator URL in Oracle Enterprise Manager

You can configure Database Control or Grid Control to use a specific Database Vault Administrator URL.

1. Access Oracle Database Vault Home page from Oracle Enterprise Manager.

See "[Accessing Oracle Database Vault Pages from Oracle Enterprise Manager](#)" on page 3-1.

If you want to save the Database Vault URL: s

- **For Database Control:** Ensure that in addition to being granted the `DV_OWNER` or `DV_ADMIN` role, that you are also an Enterprise Manager administrator.
- **For Grid Control:** Ensure that you have been granted the `OPERATOR` privilege on the target database.

2. Access the Database Vault Administrator URL page.

From the Database Vault Home page, click the **Administration** tab, and then under Policy Administration, click the **Launch Database Vault Administrator** link.

The Database Vault Administrator URL page appears.

3. In the Database Vault Administrator URL field, enter the Database Vault Administrator URL that you want to use.

For example:

`https://myserver.us.example.com:1148/dva`

4. To test the URL, click the **Launch to test URL** button.
5. Click the **Save** button.

Propagating Oracle Database Vault Policies to Other Databases

If you have Oracle Enterprise Manager Grid Control Release 10.2.0.5 installed and you use it to manage a target Oracle9i Release 2 (9.2.0.8) database that has Oracle Database Vault enabled, then you can propagate Oracle Database Vault policies to other Database Vault-protected databases. You cannot use Grid Control to create Database Vault policies or perform the actions normally provided for in Database Vault Administrator. If you want to perform these functions, then use Database Vault Administrator.

To propagate Database Vault policies to other databases:

1. Access Oracle Database Vault Administrator from Oracle Enterprise Manager, and log in to Database Vault as a user who has been granted the `DV_OWNER` or `DV_ADMIN` role.

Ensure that you select the database that contains the policies that you want to propagate.

See "[Accessing Oracle Database Vault Pages from Oracle Enterprise Manager](#)" on page 3-1.

2. From the Database Vault home page, select the **Administration** subpage.
3. In the Administration page, under Policy Propagation, select the **Database Vault Policy Propagation** link.

The Available Policies area in the Policy Propagation subpage lists a summary of the Oracle Database Vault policies that were created for the database that you selected in Step 1. From here, you can propagate these policies to another database.

4. Under Available Policies, select each policy that you want to propagate to another database.

By default, all policies are selected.

ORACLE Enterprise Manager 10g Grid Control

Database Instance: DW1 Data > Database Vault > Logged in As AM_DV_OWNER

Database Vault Policy Management

The Database Vault Policy Management feature enables the propagation of database vault policies like Realms, Command Rules, Secure Application roles, Factors and Rulesets from a source database to multiple destination databases. This allows to propagate database security policies across an enterprise. Cancel Show SQL OK

Available Policies

The following is the list of all the available database vault policies. Select the policies that need to be propagated to the destination databases.

Select All | Select None | Expand All | Collapse All

Select	Name	Status
	▼ Policies	
	▶ Realms	
	▶ Command Rules	
	▼ Secure Application Roles	
<input checked="" type="checkbox"/>	APPROLE1	Enabled
<input checked="" type="checkbox"/>	APPROLE3	Enabled
	▶ Rule Sets	

Destination Databases

Select the databases to which these policies need to be applied. Database vault administrator credentials are required for each of the destination databases to successfully propagate the policies.

The table below shows the list of database targets to which these database policies will be applied.

Add Remove

Select	Database Name	Database Type	Database Vault Administrator User Name	Database Vault Administrator Password
	Add destination databases.			

5. Under Destination Databases, click the **Add** button.

Destination Databases

Select the databases to which these policies need to be applied. Database vault administrator credentials are required for each of the destination databases to successfully propagate the policies.

The table below shows the list of database targets to which these database policies will be applied.

Add Remove

Select	Database Name	Database Type	Database Vault Administrator User Name	Database Vault Administrator Password
	Add destination databases.			

Propagate Options

Restore on failure.
If policy propagation encounters errors, the original database vault policies on the destination are restored.

Skip propagation if user defined policies exist.
If there are already existing user defined policies, policy propagation would not be attempted.

Propagate Enterprise Manager metric thresholds for database vault metrics.
Database vault related metric thresholds, configured on this database will be propagated to destination databases.

Related Links

[Metric and Policy Settings](#)

6. Under Search and Select: Database Vault Enabled Destination Databases, search for the destination databases, and then select each database to which you want to propagate the policies. Then click the **Select** button.

7. Under Destination Databases, do the following:

- a. Under Apply credentials across destination database(s), enter the user name and password of the administrator of the Database Vault database that contains the policies you want to propagate.

This feature applies the Database Vault administrator's user name and password to all of the selected destination databases.

- b. Select each database to which you want to propagate the policies.
- c. Enter the Database Vault administrator user name and password for each database.
- d. Click the **Apply** button.

8. In the Propagate Options page, select from the following options.

Any changes made to the seeded realms, command rules, rule sets, and so on will not be propagated to the destination databases. Only custom-created data are propagated.

- **Restore on failure:** If the policy propagation encounters errors, then the propagation is rolled back. That is, the original policies on the destination database are restored. If you do not select this option, then the policy propagation on the destination database continues and ignores any errors.
- **Skip propagation if user defined policies exist:** If the destination databases already have the user-defined policies, then the policy propagation is not attempted. If you do not select this option, then regardless of whether user-defined policies exist on the destination database, all the existing policies are cleared, and the policies from the source database are applied to the destination database.
- **Propagate Enterprise Manager metric thresholds for database vault metrics:** If the source database has Oracle Database Vault metric thresholds set, then these thresholds are also propagated to the destination databases. If you do not select this option, then only policies are propagated and not the Oracle Database Vault thresholds.

9. Click the **OK** button.

10. In the Confirmation window, click **OK**.

A message indicating success or failure appears. If the propagation succeeds, then the policies are active right away in their destination databases.

Using Enterprise Manager Grid Control Alerts for Oracle Database Vault Policies

Grid Control generates Oracle Database Vault-specific alerts. To view these alerts, you must be granted the `DV_OWNER`, `DV_ADMIN`, or `DV_SECANALYST` role. The alerts are as follows:

- **Database Vault Attempted Realm Violations.** This alert helps the Oracle Database Vault security analyst (`DV_SECANALYST` role) to monitor violation attempts on the Database Vault database. This user can select the realms to be affected by the alert and filter these realms based on the different types of attempts by using error codes. You can enable this metric from the Metrics and Policy Settings page. By default, the attempted realm violations are collected every 24 hours.
- **Database Vault Attempted Command Rule Violations.** The functionality for this alert is the same as for Database Vault Attempted Realm Violations, except that it focuses on violations on command rules.
- **Database Vault Realm Configuration Issues.** This metric tracks and raises an alert if users misconfigure realms. This metric is enabled when you install Oracle Database vault, and by default it collects data every one hour.
- **Database Vault Command Rule Configuration Issues.** This functionality for this alert is that same as Database Vault Realm Configuration Issues, except that it focuses on configuration changes to command rules.
- **Database Vault Policy Changes.** This metric raises an alert on any change to any Database Vault policy, such as policies for realms and command rules. It provides a detailed policy changes report.

Using Oracle Database Vault-Specific Reports in Enterprise Manager Grid Control

From the Database Vault home page, you can find information about the following types of violations:

- Top five attempted violations on realm and command rule
- Top five attempted violations by database users and client host
- Time series-based graphical reports on attempted violations for more detailed analysis

To have full access to the Database Vault reports, you must log in to Database Vault Administrator as a user who has been granted the `DV_OWNER`, `DV_ADMIN`, or `DV_SECANALYST` role.

See Also: [Chapter 17, "Oracle Database Vault Reports"](#)

Using Oracle Database Vault with Oracle Recovery Manager

You can use Recovery Manager (RMAN) in an Oracle Database Vault environment. The functionality of RMAN with Oracle Database Vault is the same as its functionality in a standard Oracle Database environment. Oracle recommends that you encrypt the RMAN backups that you create.

Oracle Database Vault Objects

This chapter contains:

- [Oracle Database Vault Schemas](#)
- [Oracle Database Vault Roles](#)
- [Oracle Database Vault Accounts](#)
- [Oracle Database Vault Data Dictionary Views](#)

Oracle Database Vault Schemas

The Oracle Database Vault objects include two schemas with database tables, sequences, views, triggers, roles, packages, procedures, functions, and contexts that support the administration and run-time processing of Oracle Database Vault.

Oracle Database Vault has the following schemas:

- [DVSYS Schema](#): Owns the Oracle Database Vault schema and related objects
- [DVF Schema](#): Owns the Oracle Database Vault functions that are created to retrieve factor identities

DVSYS Schema

The DVSYS schema contains Oracle Database Vault database objects, which store Oracle Database Vault configuration information and support the administration and run-time processing of Oracle Database Vault. In a default installation, the DVSYS schema is locked. The DVSYS schema also owns the AUDIT_TRAIL\$ table.

Oracle Database Vault secures the DVSYS schema by using a protected schema design. A protected schema design guards the schema against improper use of system privileges (for example, `SELECT ANY TABLE`, `CREATE ANY VIEW`, or `DROP ANY`).

Oracle Database Vault protects and secures the DVSYS schema in the following ways:

- The DVSYS protected schema and its administrative roles cannot be dropped. By default, the DVSYS account is locked.
- Statements such as `CREATE USER`, `ALTER USER`, `DROP USER`, `CREATE PROFILE`, `ALTER PROFILE`, and `DROP PROFILE` can only be issued by a user with the `DV_ACCTMGR` role. SYSDBA can issue these statements only if it is allowed to do so by modifying the Can Maintain Accounts/Profiles rule set.
- The powerful ANY system privileges for database definition language (DDL) and data manipulation language (DML) commands are blocked in the protected schema. This means that the objects in the DVSYS schema must be created by the

schema account itself. Also, access to the schema objects must be authorized through object privilege grants.

- Object privileges in the `DVSYS` schema can only be granted to administrative roles in the schema. This means that users can access the protected schema only through predefined administrative roles.
- Only the protected schema account `DVSYS` can issue `ALTER ROLE` statements on predefined administrative roles of the schema. "Oracle Database Vault Roles" on page 11-2 describes Oracle Database Vault administrative roles in detail.
- Only the protected schema account `DVSYS` can grant predefined roles to users along with the `ADMIN OPTION`. This means that a grantee with the `ADMIN OPTION` can grant the role to another user without the `ADMIN OPTION`.
- The `SYS.DBMS_SYS_SQL.PARSE_AS_USER` procedure cannot be used to run SQL statements on behalf of the protected schema `DVSYS`.

Note: Database users can grant additional object privileges and roles to the Oracle Database Vault Administrative roles (`DV_ADMIN` and `DV_OWNER`, for example) provided they have sufficient privileges to do so.

DVF Schema

The `DVF` schema is the owner of the Oracle Database Vault `DBMS_MACSEC_FUNCTION` PL/SQL package, which contains the functions that retrieve factor identities. After you install Oracle Database Vault, the installation process locks the `DVF` account to better secure it. When you create a new factor, Oracle Database Vault creates a new retrieval function for the factor and saves it in this schema.

Oracle Database Vault Roles

This section describes the default roles Oracle Database Vault provides. It includes the following topics:

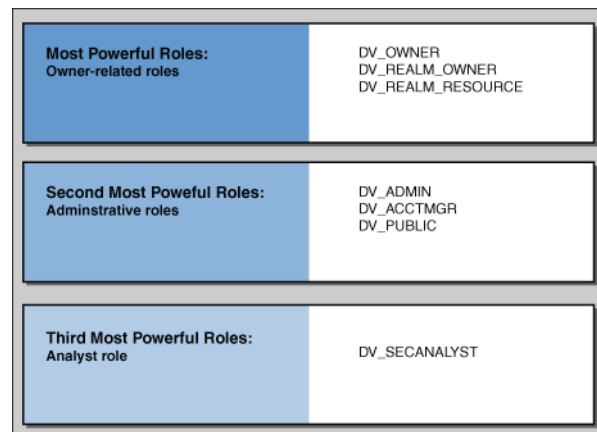
- [About Oracle Database Vault Roles](#)
- [Oracle Database Vault Owner Role, `DV_OWNER`](#)
- [Oracle Database Vault Realm DBA Role, `DV_REALM_OWNER`](#)
- [Oracle Database Vault Application Resource Owner Role, `DV_REALM_RESOURCE`](#)
- [Oracle Database Vault Configuration Administrator Role, `DV_ADMIN`](#)
- [Oracle Database Vault Account Manager Role, `DV_ACCTMGR`](#)
- [Oracle Database Vault PUBLIC Role, `DV_PUBLIC`](#)
- [Oracle Database Vault Security Analyst Role, `DV_SECANALYST`](#)

About Oracle Database Vault Roles

Oracle Database Vault provides a set of roles that are required for managing Oracle Database Vault. These roles are designed to implement the first level of separation of duties within the database, organized in the following hierarchy: The most powerful level is for the owner-related roles, `DV_OWNER`, `DV_REALM_OWNER`, and `DV_REALM_RESOURCE`. The next level beneath it is for the administrative roles, `DV_ADMIN`, `DV_ACCTMGR`, and `DV_PUBLIC`. The third level is for the analyst-related role, `DV_SECANALYST`. How you use these roles depends on the requirements that your company has in place.

Figure 11–1 illustrates the hierarchy of Oracle Database Vault roles, based on their levels of power.

Figure 11–1 Hierarchy of Oracle Database Vault Roles



Note: You can grant additional object privileges and roles to the Oracle Database Vault roles to extend their scope of privileges. For example, SYSDBA can grant object privileges to an Oracle Database Vault role as long as the object is not in the DVSYS schema or realm.

Table 11–1 summarizes the privileges available with Oracle Database Vault roles.

Table 11–1 Privileges of Oracle Database Vault Roles

Privilege	DV_OWNER	DV_REALM_OWNER	DV_REALM_RESOURCE	DV_ADMIN	DV_ACCTMGR	DV_SECANALYST	DV_PUBLIC
DVSYS schema, EXEC	Yes	No	No	Yes	No	No	No
DVSYS packages, EXECUTE	Yes	No	No	Yes	No	No	No
DVSYS schema, SELECT	Yes	No	No	No	No	Yes ¹	No ²
DVSYS schema, grant privileges on objects	No	No	No	No	No	No	No
DVF schema, EXECUTE	Yes	No	No	No	No	No	No
DVF schema, SELECT	No	No	No	No	No	Yes	No
Monitor Database Vault	Yes	No	No	Yes	No	Yes	No
Run Database Vault reports	Yes	No	No	Yes	No	Yes	No
SYS schema, SELECT	Yes	No	No	No	No	Yes, on some system views	No
SYSMAN schema, SELECT	No	No	No	No	No	Yes, portions of	No
CREATE, ALTER, DROP user accounts and profiles ³	No	No	No	No	Yes	No	No
Manage objects in schemas that define a realm ⁴	No	Yes	No	No	No	No	No
RESOURCE role privileges ⁵	No	No	Yes	No	No	No	No
CREATE SYNONYM	No	No	Yes	No	No	No	No
CREATE VIEW	No	No	Yes	No	No	No	No

- ¹ DV_SECANALYST can query DVSYS schema objects through Oracle Database Vault-supplied views only.
- ² DV_PUBLIC can query DVSYS schema objects through Oracle Database Vault-supplied views only.
- ³ This privilege does not include the ability to drop or alter the DVSYS account, nor change the DVSYS password.
- ⁴ This privilege includes ANY privileges, such as CREATE ANY, ALTER ANY, and DROP ANY.
- ⁵ The RESOURCE role provides the following system privileges: CREATE CLUSTER, CREATE INDEXTYPE, CREATE OPERATOR, CREATE PROCEDURE, CREATE SEQUENCE, CREATE TABLE, CREATE TRIGGER, CREATE TYPE.

Oracle Database Vault Owner Role, DV_OWNER

Use the DV_OWNER role to manage the Oracle Database Vault roles and its configuration. In this guide, the example account that uses this role is lbrown_dvowner.

Privileges Associated with the DV_OWNER Role

The DV_OWNER role has the administrative capabilities that the DV_ADMIN role provides, and the reporting capabilities the DV_SECANALYST role provides. It also provides privileges for monitoring Oracle Database Vault. It is created when you install Oracle Database Vault, and has the most privileges on the DVSYS schema. In addition to DV_ADMIN role, the DV_OWNER role has the GRANT ANY ROLE, ADMINISTER DATABASE TRIGGER, and ALTER ANY TRIGGER privileges.

Tip: Consider creating a separate, named account for the DV_OWNER user. This way, if the user leaves the company, you can easily recreate this user account and then grant this user the DV_OWNER role.

To find the full list of system and object privileges associated with the DV_OWNER role, log in to SQL*Plus with administrative privileges and then enter the following queries:

```
SELECT TABLE_NAME, OWNER, PRIVILEGE FROM DBA_TAB_PRIVS WHERE GRANTEE = 'DV_OWNER';
SELECT PRIVILEGE FROM DBA_SYS_PRIVS WHERE GRANTEE = 'DV_OWNER';
```

When you install and register Oracle Database Vault, the DV_OWNER account is created. The user who is granted this role is also granted the ADMIN option and can run any Oracle Database Vault roles (except DV_ACCTMGR) without the ADMIN OPTION to any account. Users granted this role also can run Oracle Database Vault reports and monitor Oracle Database Vault.

How Are GRANT and REVOKE Operations Affected by the DV_OWNER Role?

Anyone with the DV_OWNER role can grant the DV_OWNER and DV_ADMIN roles to another user. The account granted this role can revoke any granted protected schema role from another account. Accounts such as SYS or SYSTEM, with the GRANT ANY ROLE system privilege alone (directly granted or indirectly granted using a role) do not have the right to grant or revoke the DV_OWNER role to or from any other database account. Note also that a user with the DV_OWNER role cannot grant or revoke the DV_ACCTMGR role.

What Happens When Oracle Database Vault Security Is Disabled?

The granting and revoking of all protected schema roles, including DV_OWNER, is enforced only by an instance with the Oracle executable linked with DV_ON, which enables Oracle Database Vault security. When the Oracle executable is linked with DV_OFF, then any account with the GRANT ANY ROLE system privilege can perform GRANT and REVOKE operations on protected schema roles.

[Appendix B, "Disabling and Enabling Oracle Database Vault"](#) explains how to use DV_ON and DV_OFF.

Oracle Database Vault Realm DBA Role, DV_REALM_OWNER

Use the DV_REALM_OWNER role to manage database objects in multiple schemas that define a realm. Grant this role to the database account owner who is responsible for managing one or more schema database accounts within a realm and the roles associated with the realm.

Privileges Associated with the DV_REALM_OWNER Role

A user who has been granted this role can use powerful system privileges like CREATE ANY, ALTER ANY, and DROP ANY within the realm. However, before this user can exercise these privileges, you must make this user either a participant or an owner for the realm. See ["Defining Realm Authorization"](#) on page 4-5 for instructions.

There are no object privileges granted to the DV_REALM_OWNER role, but it does have some system privileges. To find the full list of DV_REALM_OWNER system privileges, log in to SQL*Plus with administrative privileges and enter the following query:

```
SELECT PRIVILEGE FROM DBA_SYS_PRIVS WHERE GRANTEE = 'DV_REALM_OWNER';
```

How Are GRANT and REVOKE Operations Affected by the DV_REALM_OWNER Role?

The realm owner of the Oracle Data Dictionary realm, such as SYS, can grant this role to any given database account or role. Note that though this role has system privilege grants that SYS controls, it does not have the DV_OWNER or DV_ADMIN roles.

If you want to attach this role to a specific realm, you must assign it to an account or business-related role, then authorize that account or role in the realm.

Oracle Database Vault Application Resource Owner Role, DV_REALM_RESOURCE

Use the DV_REALM_RESOURCE role for operations such as creating tables, views, triggers, synonyms, and other objects that a realm would typically use.

Privileges Associated with the DV_REALM_RESOURCE Role

The DV_REALM_RESOURCE role provides the same system privileges as the Oracle RESOURCE role. In addition, both CREATE SYNONYM and CREATE VIEW are granted to this role.

There are no object privileges granted to the DV_REALM_RESOURCE role, but it does have some system privileges. To find the full list of DV_REALM_RESOURCE system privileges, log in to SQL*Plus with administrative privileges and enter the following query:

```
SELECT PRIVILEGE FROM DBA_SYS_PRIVS WHERE GRANTEE = 'DV_REALM_RESOURCE';
```

Though this role has system privilege grants that SYS controls, it does not have the DV_OWNER or DV_ADMIN role.

How Are GRANT and REVOKE Operations Affected by the DV_REALM_RESOURCE Role?

You can grant the DV_REALM_RESOURCE role to a database account that owns database tables, objects, triggers, views, procedures, and so on that are used to support any database application. This is a role designed for a schema type database account. The realm owner of the Oracle Data Dictionary realm, such as SYS, can grant this role to any database account or role.

Oracle Database Vault Configuration Administrator Role, DV_ADMIN

The DV_ADMIN role controls the Oracle Database Vault PL/SQL packages.

Privileges Associated with the DV_ADMIN Role

The DV_ADMIN role has the EXECUTE privilege on the DVSYS packages (DBMS_MACADM, DBMS_MACSECROLES, and DBMS_MACUTL). DV_ADMIN also has the capabilities provided by the DV_SECANALYST role, which allow the user to run Oracle Database Vault reports and monitor Oracle Database Vault. During installation, the DV_ADMIN role is granted to the DV_OWNER role with the ADMIN OPTION during installation.

To find the full list of system and object privileges associated with the DV_ADMIN role, log in to SQL*Plus with administrative privileges and then enter the following queries:

```
SELECT TABLE_NAME, OWNER, PRIVILEGE FROM DBA_TAB_PRIVS WHERE GRANTEE = 'DV_ADMIN';
SELECT PRIVILEGE FROM DBA_SYS_PRIVS WHERE GRANTEE = 'DV_ADMIN';
```

How Are GRANT and REVOKE Operations Affected by the DV_ADMIN Role?

Accounts such as SYS or SYSTEM, with the GRANT ANY ROLE system privilege alone do not have the rights to grant or revoke DV_ADMIN from any other database account. The user with the DV_OWNER or DV_ADMIN role can grant or revoke this role to and from any database account.

What Happens When Oracle Database Vault Security Is Disabled?

The granting and revoking of protected schema roles, including DV_ADMIN, is enforced only by an instance with the Oracle executable linked with DV_ON, which enables Oracle Database Vault security features. When the Oracle executable is linked with DV_OFF, then any account with the GRANT ANY ROLE system privilege can perform GRANT and REVOKE operations on protected schema roles.

[Appendix B, "Disabling and Enabling Oracle Database Vault"](#) explains how to use DV_ON.

Oracle Database Vault Account Manager Role, DV_ACCTMGR

Use the DV_ACCTMGR role to create and maintain database accounts and database profiles. In this manual, the example DV_ACCTMGR role is assigned to a user named amalcolm_dvacctmgr.

Privileges Associated with the DV_ACCTMGR Role

A user who has been granted this role can use the CREATE, ALTER, and DROP statements for users or profiles. However, a person who has been granted the DV_ACCTMGR role cannot perform the following operations:

- ALTER or DROP statements on the DVSYS account
- ALTER or DROP statements on users who have been granted the DV_ADMIN, DV_OWNER, and DV_SECANALYST roles
- Change passwords for users who have been granted the DV_ADMIN, DV_OWNER, and DV_SECANALYST roles

To find the full list of system and object privileges associated with the DV_ACCTMGR role, log in to SQL*Plus with administrative privileges and then enter the following queries:

```
SELECT TABLE_NAME, OWNER, PRIVILEGE FROM DBA_TAB_PRIVS WHERE GRANTEE = 'DV_
ACCTMGR';
SELECT PRIVILEGE FROM DBA_SYS_PRIVS WHERE GRANTEE = 'DV_ACCTMGR';
```

Tips:

- Oracle recommends that you add the user who has the DV_ACCTMGR role to the data dictionary realm. See ["Step 1: Adding the SYSTEM User to the Data Dictionary Realm"](#) on page 3-7 for an example.
- If you want the DV_ACCTMGR user to be able to grant or revoke the ANY privileges for other users, then log in as user SYS with the SYSDBA privilege and grant this user the GRANT ANY PRIVILEGE and REVOKE ANY PRIVILEGE privileges. Then add the user to Oracle Data Dictionary realm as an owner.
- Consider creating a separate, named account for the DV_ACCTMGR user. This way, if this user forgets his or her password, you can log in as the original DV_ACCTMGR account when you recreate the user's password. Otherwise, you must disable Oracle Database Vault, log in as SYS or SYSTEM to recreate the password, and then re-enable Database Vault.

How Are GRANT and REVOKE Operations Affected by the DV_ACCTMGR Role?

Any account, such as SYS or SYSTEM, with the GRANT ANY ROLE system privilege alone does not have the rights to grant this role to or revoke this role from any other database account. The account with the DV_ACCTMGR role and the ADMIN OPTION can grant this role without the ADMIN OPTION to any given database account and revoke this role from another account.

What Happens When Oracle Database Vault Security Is Disabled?

The granting and revoking of protected schema roles are enforced only by an instance with the Oracle executable linked with DV_ON, which enables Oracle Database Vault. When the Oracle executable is linked with DV_OFF, then any account with the GRANT ANY ROLE privilege can perform GRANT and REVOKE operations on protected schema roles.

[Appendix B, "Disabling and Enabling Oracle Database Vault"](#) shows how to use DV_ON and DV_OFF.

Oracle Database Vault PUBLIC Role, DV_PUBLIC

Use the DV_PUBLIC role to grant privileges on specific objects in the DVSYS schema. (Remember that in a default installation, the DVSYS schema is locked.)

Privileges Associated with the DV_PUBLIC Role

The following Oracle Database Vault objects are accessible through DV_PUBLIC:

- PL/SQL procedures and functions, described in ["Oracle Database Vault Run-Time PL/SQL Procedures and Functions"](#) on page 15-1. These enable access control and Oracle Label Security processing in an Oracle database.
- PL/SQL factor functions, described in ["Oracle Database Vault PL/SQL Factor Functions"](#) on page 15-5. For the DVF schema, these are functions for each factor defined. These are functions that you can use in rule sets to inspect the SQL statement that you want the rule set to protect.
- DBMS_MACSEC_ROLES package, described in [Chapter 13, "Using the DBMS_MACSEC_ROLES Package"](#). This package enables you to check the authorization for a user or to set an Oracle Database Vault secure application role.

- `DBMS_MACUTL` package, described in [Chapter 14, "Using the DBMS_MACUTL Package"](#). This package is a set of general purpose utility functions that you can use throughout the application code you write for Oracle Database Vault.

There are no system privileges granted to the `DV_PUBLIC` role, but it does have some object privileges. To find the full list of `DV_PUBLIC` object privileges, log in to SQL*Plus with administrative privileges and enter the following query:

```
SELECT TABLE_NAME, OWNER, PRIVILEGE FROM DBA_TAB_PRIVS WHERE GRANTEE = 'DV_PUBLIC';
```

How Are GRANT and REVOKE Operations Affected by the DV_PUBLIC Role?

Oracle Database Vault does not enable you to directly grant object privileges in the `DVSYS` schema to `PUBLIC`. You must grant the object privilege on the `DVSYS` schema object the `DV_PUBLIC` role, and then grant `DV_PUBLIC` to `PUBLIC`. However, if you do this, it is important that you do not add more object privileges to the `PUBLIC` role. Doing so may undermine Oracle Database Vault security.

Oracle Database Vault Security Analyst Role, DV_SECANALYST

Use the `DV_SECANALYST` role to run Oracle Database Vault reports and monitor Oracle Database Vault. (This role is also used for database-related reports.) In addition, this role enables you to check the `DVSYS` configuration by querying the `DVSYS` views described in ["Oracle Database Vault Data Dictionary Views"](#) on page 11-10.

Privileges Associated with the DV_SECANALYST Role

There are no system privileges associated with the `DV_SECANALYST` role, but it does have the `SELECT` privilege for the `DVSYS` object schema and portions of the `SYS` and `SYSTEM` schema objects for reporting on `DVSYS`- and `DVF`-related entities. To find the full list of `DV_SECANALYST` object privileges, log in to SQL*Plus with administrative privileges and then enter the following query:

```
SELECT TABLE_NAME, OWNER, PRIVILEGE FROM DBA_TAB_PRIVS WHERE GRANTEE = 'DV_SECANALYST';
```

How Are GRANT and REVOKE Operations Affected by the DV_SECANALYST Role?

Any account, such as `SYS` or `SYSTEM`, with the `GRANT ANY ROLE` system privilege alone does not have the rights to grant this role to or revoke this role from any other database account. The user with the `DV_SECANALYST` role and the `ADMIN OPTION` can grant this role without the `ADMIN OPTION` to any database account and revoke this role from another account.

What Happens When Oracle Database Vault Security Is Disabled?

The granting and revoking of protected schema roles are enforced only by an instance with the Oracle executable linked with `DV_ON`, which enables the Oracle Database Vault security features. When the Oracle executable is linked with `DV_OFF`, then an instance can use an account `GRANT ANY ROLE` system privilege for `GRANT` and `REVOKE` operations.

[Appendix B, "Disabling and Enabling Oracle Database Vault"](#) shows how to use `DV_ON` and `DV_OFF`.

Oracle Database Vault Accounts

Oracle Database Vault prompts for two accounts during installation: Oracle Database Vault Owner and Oracle Database Vault Account Manager. You must supply an

account name and password for the Oracle Database Vault Owner account during installation. Creating an Oracle Database Vault Account Manager is optional.

The Oracle Database Vault Owner account is granted the `DV_OWNER` role. This account can manage Oracle Database Vault roles and configuration. (See ["Oracle Database Vault Owner Role, DV_OWNER"](#) on page 11-4.)

The Oracle Database Vault Account Manager account is granted the `DV_ACCTMGR` role. This account is used to manage database user accounts to facilitate separation of duties. (See ["Oracle Database Vault Account Manager Role, DV_ACCTMGR"](#) on page 11-6.)

If you choose not to create the Oracle Database Vault Account Manager account during installation, then both the `DV_OWNER` and `DV_ACCTMGR` roles are granted to the Oracle Database Vault Owner user account.

Tip: Oracle recommends that you grant the `DV_OWNER` and `DV_ACCTMGR` roles to existing user accounts. However, continue to maintain the original `DV_OWNER` and `DV_ACCTMGR` user accounts that you created during installation. This way, for example, if a user who has been granted one of these roles forgets his or her password, then you can log in as the original Database Vault Account Manager user and then recreate the password without having to disable Oracle Database Vault.

[Table 11–2](#) lists the Oracle Database Vault database accounts that are needed in addition to the accounts that you create during installation.

Table 11–2 Database Accounts Used by Oracle Database Vault

Database Account	Roles and Privileges	Description
DVSYSD	Several system and object privileges are provided to support Oracle Database Vault. The ability to create a session with this account is revoked at the end of the installation, and the account is locked.	Owner of Oracle Database Vault schema and related objects
DVF	A limited set of system privileges are provided to support Oracle Database Vault. The ability to create a session with this account is revoked at the end of the installation, and the account is locked.	Owner of the Oracle Database Vault functions that are created to retrieve factor identities
LBACSYS	This account is created when you install Oracle Label Security by using the Oracle Universal Installer custom installation option. (It is not created when you install Oracle Database Vault.) Do not drop or re-create this account. If you plan to integrate a factor with an Oracle Label Security policy, you must assign this user as the owner of the realm that uses this factor. See "Using Oracle Database Vault Factors with Oracle Label Security Policies" on page 9-3 for more information.	Owner of the Oracle Label Security schema

You can create different database accounts to implement the separation of duties requirements for Oracle Database Vault. [Table 11–3](#) lists some model database accounts that can act as a guide. (The accounts listed in [Table 11–3](#) serve as a guide to

implementing Oracle Database Vault roles. These are not actual accounts that are created during installation.)

Table 11–3 Model Oracle Database Vault Database Accounts

Database Account	Roles and Privileges	Description
EBROWN	DV_OWNER (with DV_ADMIN and DV_SECANALYST)	Account that is the realm owner for the DVSYS realm. This account can: <ul style="list-style-type: none"> Run DVSYS packages Have EXECUTE privileges in the DVSYS schema Grant privileges on the DVSYS schema objects Select objects in the schema Monitor Oracle Database Vault activity Run reports on the Oracle Database Vault configuration
JGODFREY	DV_ACCTMGR	Account for administration of database accounts and profiles. This account can: <ul style="list-style-type: none"> Create, alter, or drop users Create, alter, or drop profiles Grant and revoke the DV_ACCTMGR role, but only if this account was created during the Database Vault installation (this account is created with the ADMIN option) Grant the CONNECT role <p>Note: This account cannot create roles, or grant the RESOURCE or DBA roles.</p>
RLAYTON	DV_ADMIN (with DV_SECANALYST)	Account to serve as the access control administrator. This account can: <ul style="list-style-type: none"> Execute DVSYS packages Have EXECUTE privileges in the DVSYS schema Monitor Oracle Database Vault activity Run reports on the Oracle Database Vault configuration <p>Note: This account cannot directly update the DVSYS tables.</p>
PSMYTHE	DV_SECANALYST	Account for running Oracle Database Vault reports in the Oracle Database Vault Administration application.

Oracle Database Vault Data Dictionary Views

Oracle Database Vault provides a set of DBA-style data dictionary views that can be accessed through the DV_SECANALYST role or the DV_ADMIN role. (Alternatively, you can run reports on Oracle Database Vault. See [Chapter 17, "Oracle Database Vault Reports"](#) for more information.) These views provide access to the various underlying Oracle Database Vault tables in the DVSYS and LBACSYS schemas without exposing the primary and foreign key columns that may be present. These views are intended for the database administrative user to report on the state of the Oracle Database Vault configuration without having to perform the joins required to get the labels for codes that are stored in the core tables or from the related tables.

This section contains:

- [DBA_DV_CODE View](#)
- [DBA_DV_COMMAND_RULE View](#)
- [DBA_DV_FACTOR View](#)
- [DBA_DV_FACTOR_LINK View](#)
- [DBA_DV_FACTOR_TYPE View](#)
- [DBA_DV_IDENTITY View](#)
- [DBA_DV_IDENTITY_MAP View](#)
- [DBA_DV_MAC_POLICY View](#)
- [DBA_DV_MAC_POLICY_FACTOR View](#)
- [DBA_DV_POLICY_LABEL View](#)
- [DBA_DV_PUB_PRIVS View](#)
- [DBA_DV_REALM View](#)
- [DBA_DV_REALM_AUTH View](#)
- [DBA_DV_REALM_OBJECT View](#)
- [DBA_DV_ROLE View](#)
- [DBA_DV_RULE View](#)
- [DBA_DV_RULE_SET View](#)
- [DBA_DV_RULE_SET_RULE View](#)
- [DBA_DV_USER_PRIVS View](#)
- [DBA_DV_USER_PRIVS_ALL View](#)

DBA_DV_CODE View

The `DBA_DV_CODE` data dictionary view lists generic lookup codes for the user interface, error messages, constraint checking, and so on. These codes are used for the user interface, views, and for validating input in a translatable fashion.

For example:

```
SELECT CODE, VALUE FROM DVSYS.DBA_DV_CODE WHERE CODE_GROUP = 'BOOLEAN';
```

Output similar to the following appears:

```
CODE    VALUE
-----
Y       True
N       False
```

Column	Datatype	Null	Description
CODE_GROUP	VARCHAR(30)	NOT NULL	<p>Displays one of the following code groups:</p> <ul style="list-style-type: none"> ▪ AUDIT_EVENTS: Contains the action numbers and action names that are used for the custom event audit trail records ▪ BOOLEAN: A simple Yes or No or True or False lookup ▪ DB_OBJECT_TYPE: The database object types that can be used for realm objects and command authorizations ▪ SQL_CMDS: The DDL commands that can be protected through command rules ▪ FACTOR_AUDIT: The auditing options for factor retrieval processing ▪ FACTOR_EVALUATE: The evaluation options (by session or by access) for factor retrieval ▪ FACTOR_FAIL: The options for propagating errors when a factor retrieval method fails ▪ FACTOR_IDENTIFY: The options for determining how a factor identifier is resolved (for example, by method or by factors) ▪ FACTOR_LABEL: The options for determining how a factor identifier is labeled in the session establishment phase ▪ LABEL_ALG: The algorithms that can be used to determine the maximum session label for a database session for each policy. See Table 12-57, "Oracle Label Security Merge Algorithm Codes" on page 12-45 for a listing of the Oracle Label Security merge algorithm codes. ▪ OPERATORS: The Boolean operators that can be used for identity maps ▪ REALM_AUDIT: The options for auditing realm access or realm violations ▪ REALM_OPTION: The options for ownership of a realm ▪ RULESET_AUDIT: The options for auditing rule set execution or rule set errors ▪ RULESET_EVALUATE: The options for determining the success or failure of a rule set based on all associated rules being true or any associated rule being true ▪ RULESET_EVENT: The options to invoke a custom event handler when a rule set evaluates to Succeeds or Fails ▪ RULESET_FAIL: The options to determine the run-time visibility of a rule set failing
CODE	VARCHAR(30)	NOT NULL	Boolean code used; either Y (yes) or N (no).
VALUE	VARCHAR(4000)		Boolean value used; either True if the Boolean code is Y or False if the Boolean code is N.
DESCRIPTION	VARCHAR(1024)		Brief description of the code group.

DBA_DV_COMMAND_RULE View

The `DBA_DV_COMMAND_RULE` data dictionary view lists the SQL statements that are protected by command rules. See [Chapter 6, "Configuring Command Rules"](#) for more information about command rules.

For example:

```
SELECT COMMAND, RULE_SET_NAME FROM DVSYS.DBA_DV_COMMAND_RULE;
```

Output similar to the following appears:

```
COMMAND          RULE_SET_NAME
-----
GRANT             Can Grant VPD Administration
REVOKE           Can Grant VPD Administration
ALTER SYSTEM     Allow System Parameters
ALTER USER       Can Maintain Own Account
CREATE USER      Can Maintain Account/Profiles
DROP USER        Can Maintain Account/Profiles
CREATE PROFILE   Can Maintain Account/Profiles
DROP PROFILE     Can Maintain Account/Profiles
ALTER PROFILE    Can Maintain Account/Profiles
```

Column	Datatype	Null	Description
COMMAND	VARCHAR(30)	NOT NULL	Name of the command rule. For a list of default command rules, see Default Command Rules on page 6-2.
RULE_SET_NAME	VARCHAR(90)	NOT NULL	Name of the rule set associated with this command rule.
OBJECT_OWNER	VARCHAR(30)	NOT NULL	The owner of the object that the command rule affects.
OBJECT_NAME	VARCHAR(128)	NOT NULL	The name of the database object the command rule affects (for example, a database table).
ENABLED	VARCHAR(1)	NOT NULL	Y indicates the command rule is enabled; N indicates it is disabled.

DBA_DV_FACTOR View

The DBA_DV_FACTOR data dictionary view lists the existing factors in the current database instance.

For example:

```
SELECT NAME, GET_EXPR FROM DVSYS.DBA_DV_FACTOR WHERE NAME = 'Session_User';
```

Output similar to the following appears:

```
NAME          GET_EXPR
-----
Session_User  UPPER(SYS_CONTEXT('USERENV', 'SESSION_USER'))
```

Related Views

- [DBA_DV_FACTOR_LINK View](#)
- [DBA_DV_FACTOR_TYPE View](#)

Column	Datatype	Null	Description
NAME	VARCHAR2(30)	NOT NULL	Name of the factor. See " Default Factors " on page 7-2 for a list of default factors.
DESCRIPTION	VARCHAR2(4000)		Description of the factor.
FACTOR_TYPE_NAME	VARCHAR2(90)	NOT NULL	Category of the factor, which is used to classify the purpose of the factor.
ASSIGN_RULE_SET_NAME	VARCHAR2(90)		Rule set used to control the identify of the factor.
GET_EXPR	VARCHAR2(1024)		PL/SQL expression that retrieves the identity of a factor.

Column	Datatype	Null	Description
VALIDATE_EXPR	VARCHAR2 (1024)		PL/SQL expression used to validate the identify of the factor. It returns a Boolean value.
IDENTIFIED_BY	NUMBER	NOT NULL	Determines the identity of a factor, based on the expression listed in the GET_EXPR column. Possible values are: <ul style="list-style-type: none"> ■ 0: By constant ■ 1: By method ■ 2: By factors
IDENTIFIED_BY_MEANING	VARCHAR2 (4000)		Provides a text description for the corresponding value in the IDENTIFIED_BY column. Possible values are: <ul style="list-style-type: none"> ■ By Constant: If IDENTIFIED_COLUMN is 0 ■ By Method: If IDENTIFIED_COLUMN is 1 ■ By Factors: If IDENTIFIED_COLUMN is 2
LABELED_BY	NUMBER	NOT NULL	Determines the labeling the factor: <ul style="list-style-type: none"> ■ 0: Labels the identities for the factor directly from the labels associated with an Oracle Label Security policy ■ 1: Derives the factor identity label from the labels of its child factor identities.
LABELED_BY_MEANING	VARCHAR2 (4000)		Provides a text description for the corresponding value in the LABELED_BY column. Possible values are: <ul style="list-style-type: none"> ■ By Self: If LABELED_BY column is 0 ■ By Factors: If LABELED_BY column is 1
EVAL_OPTIONS	NUMBER	NOT NULL	Determines how the factor is evaluated when the user logs on: <ul style="list-style-type: none"> ■ 0: When the database session is created ■ 1: Each time the factor is accessed ■ 2: On start-up
EVAL_OPTIONS_MEANING	VARCHAR2 (4000)		Provides a text description for the corresponding value in the EVAL_OPTIONS column. Possible values are: <ul style="list-style-type: none"> ■ For Session: If EVAL_OPTIONS is 0 ■ By Access: If EVAL_OPTIONS is 1 ■ On Startup: If EVAL_OPTIONS is 2

Column	Datatype	Null	Description
AUDIT_OPTIONS	NUMBER	NOT NULL	Option for auditing the factor if you want to generate a custom Oracle Database Vault audit record. Possible values are: <ul style="list-style-type: none"> ■ 0: No auditing set ■ 1: Always audits ■ 2: Audits if get_expr returns an error ■ 4: Audits if get_expr is null ■ 8: Audits if the validation procedure returns an error ■ 16: Audits if the validation procedure is false ■ 32: Audits if there is no trust level set ■ 64: Audits if the trust level is negative.
FAIL_OPTIONS	NUMBER	NOT NULL	Options for reporting factor errors: <ul style="list-style-type: none"> ■ 1: Shows an error message. ■ 2: Does not show an error message.
FAIL_OPTIONS_MEANING	VARCHAR2(4000)		Provides a text description for the corresponding value in the FAIL_OPTIONS column. Possible values are: <ul style="list-style-type: none"> ■ Show Error Message ■ Do Not Show Error Message:

DBA_DV_FACTOR_LINK View

The DBA_DV_FACTOR_LINK data dictionary view shows the relationships of each factor whose identity is determined by the association of child factors. The view contains one entry for each parent factor and child factor. You can use this view to resolve the relationships from the factor links to identity maps.

For example:

```
SELECT PARENT_FACTOR_NAME, CHILD_FACTOR_NAME FROM DVSYS.DBA_DV_FACTOR_LINK;
```

Output similar to the following appears:

```
PARENT_FACTOR_NAME      CHILD_FACTOR_NAME
-----
Domain                  Database_Instance
Domain                  Database_IP
Domain                  Database_Hostname
```

Related Views

- [DBA_DV_FACTOR View](#)
- [DBA_DV_FACTOR_TYPE View](#)

Column	Datatype	Null	Description
PARENT_FACTOR_NAME	VARCHAR(30)	NOT NULL	Name of the parent factor.
CHILD_FACTOR_NAME	VARCHAR(30)	NOT NULL	Name of the child factor of the parent factor.

Column	Datatype	Null	Description
LABEL_IND	VARCHAR(1)	NOT NULL	Indicates whether the child factor that is linked to the parent factor contributes to the label of the parent factor in an Oracle Label Security integration. Possible values are: <ul style="list-style-type: none"> ▪ Y (for Yes) ▪ N (for No)

DBA_DV_FACTOR_TYPE View

The DBA_DV_FACTOR_TYPE data dictionary view lists the names and descriptions of factor types used in the system.

For example:

```
SELECT * FROM DVSYS.DBA_DV_FACTOR_TYPE WHERE NAME = 'Hostname';
```

Output similar to the following appears:

```
NAME          DESCRIPTION
-----
Time          Time-based factor
```

Related Views

- [DBA_DV_FACTOR View](#)
- [DBA_DV_FACTOR_LINK View](#)

Column	Datatype	Null	Description
NAME	VARCHAR(90)	NOT NULL	Name of the factor type.
DESCRIPTION	VARCHAR(1024)		Description of the factor type.

DBA_DV_IDENTITY View

The DBA_DV_IDENTITY data dictionary view lists the identities for each factor.

For example:

```
SELECT * FROM DVSYS.DBA_DV_IDENTITY WHERE VALUE = 'GLOBAL SHARED';
```

Output similar to the following appears, assuming you have created only one factor identity:

```
FACTOR_NAME          VALUE          TRUST_LEVEL
-----
Identification_Type  GLOBAL SHARED  1
```

Related Views

- [DBA_DV_FACTOR View](#)
- [DBA_DV_IDENTITY_MAP View](#)

Column	Datatype	Null	Description
FACTOR_NAME	VARCHAR(30)	NOT NULL	Name of the factor.
VALUE	VARCHAR(1024)	NOT NULL	Value of the factor.

Column	Datatype	Null	Description
TRUST_LEVEL	NUMBER	NOT NULL	Number that indicates the magnitude of trust relative to other identities for the same factor.

DBA_DV_IDENTITY_MAP View

The DBA_DV_IDENTITY_MAP data dictionary view lists the mappings for each factor identity. The view includes mapping factors that are identified by other factors to combinations of parent-child factor links. For each factor, the maps are joined by the OR operation, and for different factors, the maps are joined by the AND operation.

You can use this view to resolve the identity for factors that are identified by other factors (for example, a domain) or for factors that have continuous domains (for example, Age or Temperature).

For example:

```
SELECT FACTOR_NAME, IDENTITY_VALUE FROM DVSYS.DBA_DV_IDENTITY_MAP;
```

Output similar to the following appears:

```
FACTOR_NAME      IDENTITY_VALUE
-----
Sector2_Program  Accounting-Sensitive
```

Related Views

- [DBA_DV_FACTOR View](#)
- [DBA_DV_IDENTITY View](#)

Column	Datatype	Null	Description
FACTOR_NAME	VARCHAR(30)	NOT NULL	Factor the identity map is for.
IDENTITY_VALUE	VARCHAR(1024)	NOT NULL	Value the factor assumes if the identity map evaluates to TRUE.
OPERATION_VALUE	VARCHAR(4000)		Relational operator for the identity map (for example, <, >, =, and so on)
OPERAND1	VARCHAR(1024)		Left operand for the relational operator; refers to the low value you enter.
OPERAND2	VARCHAR(1024)		Right operand for the relational operator; refers to the high value you enter.
PARENT_FACTOR_NAME	VARCHAR(30)		The parent factor link to which the map is related.
CHILD_FACTOR_NAME	VARCHAR(30)		The child factor link to which the map is related.
LABEL_IND	VARCHAR(1)		Indicates whether the child factor being linked to the parent factor contributes to the label of the parent factor in an Oracle Label Security integration. Possible values are: <ul style="list-style-type: none"> ■ Y (for Yes) ■ N (for No)

DBA_DV_MAC_POLICY View

The DBA_DV_MAC_POLICY data dictionary view lists the Oracle Label Security policies defined for use with Oracle Database Vault.

For example:

```
SELECT POLICY_NAME, ALGORITHM_CODE, ALGORITHM_MEANING
FROM DVSYS.DBA_DV_MAC_POLICY;
```

Output similar to the following appears:

```
POLICY_NAME      ALGORITHM_CODE  ALGORITHM_MEANING
-----
ACCESS_DATA      LUI              Minimum Level/Union/Intersection
```

Related Views

- [DBA_DV_MAC_POLICY_FACTOR View](#)
- [DBA_DV_POLICY_LABEL View](#)

Column	Datatype	Null	Description
POLICY_NAME	VARCHAR(30)	NOT NULL	Name of the policy.
ALGORITHM_CODE	VARCHAR(30)	NOT NULL	Merge algorithm code used for the policy. See Table 12-57 on page 12-45 for a listing of algorithm codes.
ALGORITHM_MEANING	VARCHAR(4000)		Provides a text description for the corresponding value in the ALGORITHM_CODE column. See Table 12-57 on page 12-45 for a listing of algorithm code descriptions.
ERROR_LABEL	VARCHAR(4000)		Label specified for initialization errors, to be set when a configuration error or run-time error occurs during session initialization.

DBA_DV_MAC_POLICY_FACTOR View

The DBA_DV_MAC_POLICY data dictionary view lists the factors that are associated with Oracle Label Security policies.

You can use this view to determine what factors contribute to the maximum session label for each policy using the DBA_DV_MAC_POLICY view.

For example:

```
SELECT * FROM DVSYS.DBA_DV_MAC_POLICY_FACTOR;
```

Output similar to the following appears:

```
FACTOR_NAME      MAC_POLICY_NAME
-----
App_Host_Name    Access Locations
```

Related Views

- [DBA_DV_MAC_POLICY View](#)
- [DBA_DV_POLICY_LABEL View](#)

Column	Datatype	Null	Description
FACTOR_NAME	VARCHAR(30)	NOT NULL	Name of the factor.
MAC_POLICY_NAME	VARCHAR(30)	NOT NULL	Name of the Oracle Label Security policy associated with this factor.

DBA_DV_POLICY_LABEL View

The DBA_DV_POLICY_LABEL data dictionary view lists the Oracle Label Security label for each factor identifier in the DBA_DV_IDENTITY view for each policy.

For example:

```
SELECT * FROM DVSYS.DBA_DV_POLICY_LABEL;
```

Output similar to the following appears:

```
IDENTITY_VALUE  FACTOR_NAME      POLICY_NAME      LABEL
-----
App_Host_Name   Sect2_Fin_Apps  Access Locations Sensitive
```

Related Views

- [DBA_DV_MAC_POLICY View](#)
- [DBA_DV_MAC_POLICY_FACTOR View](#)

Column	Datatype	Null	Description
IDENTITY_VALUE	VARCHAR(1024)	NOT NULL	Name of the factor identifier.
FACTOR_NAME	VARCHAR(30)	NOT NULL	Name of the factor associated with the factor identifier.
POLICY_NAME	VARCHAR(30)	NOT NULL	Name of the Oracle Label Security policy associated with this factor.
LABEL	VARCHAR(4000)	NOT NULL	Name of the Oracle Label Security label associated with the policy.

DBA_DV_PUB_PRIVS View

The DBA_DV_PUB_PRIVS data dictionary view lists data reflected in the Oracle Database Vault privilege management reports used in the Oracle Database Vault Administrator (DV_ADMIN). See also "[Privilege Management - Summary Reports](#)" on page 17-9.

For example:

```
SELECT USERNAME, ACCESS_TYPE FROM DVSYS.DBA_DV_PUB_PRIVS WHERE USERNAME = 'OE';
```

Output similar to the following appears:

```
USERNAME  ACCESS_TYPE
-----
OE        PUBLIC
```

Related Views

- [DBA_DV_USER_PRIVS View](#)
- [DBA_DV_USER_PRIVS_ALL View](#)
- [DBA_DV_ROLE View](#)

Column	Datatype	Null	Description
USERNAME	VARCHAR(30)	NOT NULL	Database schema in the current database instance.access
ACCESS_TYPE	VARCHAR(30)		Access type granted to the user listed in the USERNAME column (for example, PUBLIC).
PRIVILEGE	VARCHAR(40)	NOT NULL	Privilege granted to the user listed in the USERNAME column.

Column	Datatype	Null	Description
OWNER	VARCHAR(30)	NOT NULL	Owner of the database schema to which the USERNAME user has been granted privileges.
OBJECT_NAME	VARCHAR(30)	NOT NULL	Name of the object within the schema listed in the OWNER column.

DBA_DV_REALM View

The DBA_DV_REALM data dictionary view lists the realms created in the current database instance.

For example:

For example:

```
SELECT NAME, AUDIT_OPTIONS, ENABLED FROM DVSYS.DBA_DV_REALM
WHERE AUDIT_OPTIONS = '1';
```

Output similar to the following appears:

```
NAME                                AUDIT_OPTIONS  ENABLED
-----
Performance Statistics Realm 1      Y
```

Related Views

- [DBA_DV_REALM_AUTH View](#)
- [DBA_DV_REALM_OBJECT View](#)

Column	Datatype	Null	Description
NAME	VARCHAR(90)	NOT NULL	Name of the realms created. See " Default Realms " on page 4-2 for a listing of default realms.
DESCRIPTION	VARCHAR(1024)	NOT NULL	Description of the realm created.
AUDIT_OPTIONS	NUMBER	NOT NULL	Specifies whether auditing is enabled. Possible values are: <ul style="list-style-type: none"> ■ 0: No auditing for the realm. ■ 1: Creates an audit record when a realm violation occurs (for example, when an unauthorized user tries to modify an object that is protected by the realm). ■ 2: Creates an audit record for authorized activities on objects protected by the realm. ■ 3: Creates an audit record for both authorized and unauthorized activities on objects protected by the realm.
ENABLED	VARCHAR(1)	NOT NULL	Specifies whether realm checking is enabled. Y (yes) indicates it is enabled; N (no) indicates it is not.

DBA_DV_REALM_AUTH View

The DBA_DV_REALM_AUTH data dictionary view lists the authorization of a named database user account or database role (GRANTEE) to access realm objects in a particular realm. See [Defining Realm Authorization](#) on page 4-5 for more information.

For example:

```
SELECT REALM_NAME, GRANTEE, AUTH_RULE_SET_NAME FROM DVSYS.DBA_DV_REALM_AUTH;
```

Output similar to the following appears:

```

REALM_NAME                GRANTEE    AUTH_RULE_SET_NAME
-----
Performance Statistics Realm SYSADM    Check Conf Access

```

Related Views

- [DBA_DV_REALM View](#)
- [DBA_DV_REALM_OBJECT View](#)

Column	Datatype	Null	Description
REALM_NAME	VARCHAR(90)	NOT NULL	Name of the realm.
GRANTEE	VARCHAR(30)	NOT NULL	User or role name to authorize as owner or participant.
AUTH_RULE_SET_NAME	VARCHAR(90)		Rule set to check before authorizing. If the rule set evaluates to TRUE, then the authorization is allowed.
AUTH_OPTIONS	VARCHAR(4000)		Type of realm authorization: either Participant or Owner.

DBA_DV_REALM_OBJECT View

The DBA_DV_REALM_OBJECT data dictionary view lists the database schemas, or subsets of schemas with specific database objects contained therein, that are secured by the realms. See "[Creating Realm-Secured Objects](#)" on page 4-4 for more information.

For example:

```
SELECT REALM_NAME, OWNER, OBJECT_NAME FROM DVSYS.DBA_DV_REALM_OBJECT;
```

Output similar to the following appears:

```

REALM_NAME                OWNER    OBJECT_NAME
-----
Performance Statistics Realm OE    ORDERS

```

Related Views

- [DBA_DV_REALM View](#)
- [DBA_DV_REALM_AUTH View](#)

Column	Datatype	Null	Description
REALM_NAME	VARCHAR(90)	NOT NULL	Name of the realm.
OWNER	VARCHAR(90)	NOT NULL	Database schema owner who owns the realm.
OBJECT_NAME	VARCHAR(90)	NOT NULL	Name of the object the realm protects.
OBJECT_TYPE	VARCHAR(90)	NOT NULL	Type of object the realm protects, such as a database table, view, index, or role.

DBA_DV_ROLE View

The DBA_DV_ROLE data dictionary view lists the Oracle Database Vault secure application roles used in privilege management.

For example:

```
SELECT ROLE, RULE_NAME FROM DVSYS.DBA_DV_ROLE;
```

Output similar to the following appears:

```

ROLE                RULE_NAME
-----
Sector2_APP_MGR    Check App2 Access
Sector2_APP_DBA    Check App2 Access

```

Related Views

- [DBA_DV_PUB_PRIVS View](#)
- [DBA_DV_USER_PRIVS View](#)
- [DBA_DV_USER_PRIVS_ALL View](#)

Column	Datatype	Null	Description
ROLE	VARCHAR(30)	NOT NULL	Name of the secure application role.
RULE_NAME	VARCHAR(90)	NOT NULL	Name of the rule set associated with the secure application role.
ENABLED	VARCHAR(1)	NOT NULL	Indicates whether the secure application role is enabled. Y (yes) enables the role; N (no) disables it.

DBA_DV_RULE View

The DBA_DV_RULE data dictionary view lists the rules that have been defined.

For example:

```
SELECT * FROM DVSYS.DBA_DV_RULE WHERE NAME = 'Maintenance Window';
```

Output similar to the following appears:

```

NAME                RULE_EXP
-----
Maintenance Window TO_CHAR(SYSDATE, 'HH24') BETWEEN '10' AND '12'

```

To find the rule sets that use specific rules, query the DBA_DV_RULE_SET_RULE view.

Related Views

- [DBA_DV_RULE_SET View](#)
- [DBA_DV_RULE_SET_RULE View](#)

Column	Datatype	Null	Description
NAME	VARCHAR(90)	NOT NULL	Name of the rule.
RULE_EXPR	VARCHAR(1024)	NOT NULL	PL/SQL expression for the rule.

DBA_DV_RULE_SET View

The DBA_DV_RULE_SET data dictionary view lists the rules sets that have been created.

For example:

```

SELECT RULE_SET_NAME, HANDLER_OPTIONS, HANDLER FROM DVSYS.DBA_DV_RULE_SET
WHERE RULE_SET_NAME = 'Maintenance Period';

```

Output similar to the following appears:

RULE_SET_NAME	HANDLER_OPTIONS	HANDLER
Maintenance Period		1 dbavowner.email_alert

Related Views

- [DBA_DV_RULE View](#)
- [DBA_DV_RULE_SET_RULE View](#)

Column	Datatype	Null	Description
RULE_SET_NAME	VARCHAR(90)	NOT NULL	Name of the rule set.
DESCRIPTION	VARCHAR(1024)		Description of the rule set.
ENABLED	VARCHAR(1)	NOT NULL	Indicates whether the rule set has been enabled. Y (yes) enables the rule set; N (no) disables it.
EVAL_OPTIONS_MEANING	VARCHAR(4000)		For rules sets that contain multiple rules, determines how many rules are evaluated. Possible values are: <ul style="list-style-type: none"> ■ All True: All rules in the rule set must evaluate to true for the rule set itself to evaluate to TRUE. ■ Any True: At least one rule in the rule set must evaluate to true for the rule set itself to evaluate to TRUE.
AUDIT_OPTIONS	NUMBER	NOT NULL	Indicates when auditing is used. Possible values are: <ul style="list-style-type: none"> ■ 0: No auditing ■ 1: Audit on failure ■ 2: Audit on success ■ 3: Audit on both failure and success
FAIL_OPTIONS_MEANING	VARCHAR(4000)		Determines when an audit record is created for the rule set. Possible values are: <ul style="list-style-type: none"> ■ Do Not Show Error Message. ■ Show Error Message
FAIL_MESSAGE	VARCHAR(80)		Error message for failure that is associated with the fail code listed in the FAIL_CODE column.
FAIL_CODE	VARCHAR(10)		The error message number associated with the message listed in the FAIL_MESSAGE column. Possible values are in the range of negative -20000 to -20999.
HANDLER_OPTIONS	NUMBER	NOT NULL	Determines how error handling is used. Possible values are: <ul style="list-style-type: none"> ■ 0: Disables error handling. ■ 1: Call handler on rule set failure. ■ 2: Call handler on rule set success.
HANDLER	VARCHAR(1024)		Name of the PL/SQL function or procedure that defines the custom event handler logic.

DBA_DV_RULE_SET_RULE View

The DBA_DV_RULE_SET_RULE data dictionary view lists rules that are associated with existing rule sets.

For example:

```
SELECT RULE_SET_NAME, RULE_NAME, RULE_EXPR FROM DVSYS.DBA_DV_RULE_SET_RULE
WHERE RULE_NAME = 'Is Security Officer';
```

Output similar to the following appears:

RULE_SET_NAME	RULE_NAME	RULE_EXPR
Can Grant VPD Administration	Is Security Owner	DBMS_MACUTL.USER_HAS_ROLE_
		VARCHAR('DV_OWNER',dvsys.dv_
		login_user) = 'Y'

Related Views

- [DBA_DV_RULE View](#)
- [DBA_DV_RULE_SET View](#)

Column	Datatype	Null	Description
RULE_SET_NAME	VARCHAR(90)	NOT NULL	Name of the rule set that contains the rule.
RULE_NAME	VARCHAR(90)	NOT NULL	Name of the rule.
RULE_EXPR	VARCHAR(1024)	NOT NULL	PL/SQL expression that defines the rule listed in the RULE_NAME column.
ENABLED	VARCHAR(1)		Indicates whether the rule is enabled or disabled. Y (yes) enables the rule set; N (no) disables it.
RULE_ORDER	NUMBER	NOT NULL	The order in which rules are used within the rule set. Does not apply to this release.

DBA_DV_USER_PRIVS View

The DBA_DV_USER_PRIVS data dictionary view lists the privileges for a database user account excluding privileges granted through the PUBLIC role.

For example:

```
SELECT USERNAME, ACCESS_TYPE, PRIVILEGE FROM DVSYS.DBA_DV_USER_PRIVS;
```

Output similar to the following appears:

USERNAME	ACCESS_TYPE	PRIVILEGE
DVSYS	DV_PUBLIC	EXECUTE
DVOWNER	DV_ADMIN	SELECT
SYS	SELECT_CATALOG_ROLE	SELECT
...		

Related Views

- [DBA_DV_PUB_PRIVS View](#)
- [DBA_DV_ROLE View](#)
- [DBA_DV_USER_PRIVS_ALL View](#)

Column	Datatype	Null	Description
USERNAME	VARCHAR(30)	NOT NULL	Name of the database schema account in which privileges have been defined.
ACCESS_TYPE	VARCHAR(30)		Role the database user account listed in the USERNAME column uses to access the database. Oracle Database Vault accounts have direct access.
PRIVILEGE	VARCHAR(40)	NOT NULL	Privilege granted to the user listed in the USERNAME column.
OWNER	VARCHAR(30)	NOT NULL	Name of the database user account.
OBJECT_NAME	VARCHAR(30)	NOT NULL	Name of the PL/SQL function or procedure used to define privileges.

DBA_DV_USER_PRIVS_ALL View

The DBA_DV_USER_PRIVS_ALL data dictionary view lists the privileges for a database account including privileges granted through PUBLIC.

For example:

```
SELECT USERNAME, ACCESS_TYPE, PRIVILEGE FROM DVSYS.DBA_DV_USER_PRIVS;
```

Output similar to the following appears:

```

USERNAME          ACCESS_TYPE  PRIVILEGE
-----
AMALCOLM_DVACCTMGR  CONNECT     CREATE_SESSION
LBROWN_DVOWNER     DIRECT      CREATE PROCEDURE
...
```

Related Views

- [DBA_DV_PUB_PRIVS View](#)
- [DBA_DV_ROLE View](#)
- [DBA_DV_USER_PRIVS View](#)

Column	Datatype	Null	Description
USERNAME	VARCHAR(30)		Name of the database schema account in which privileges have been defined.
ACCESS_TYPE	VARCHAR(30)		Role the database user account listed in the USERNAME column uses to access the database. Oracle Database Vault accounts have direct access.
PRIVILEGE	VARCHAR(40)		Privilege granted to the user listed in the USERNAME column.
OWNER	VARCHAR(30)		Name of the database user account.
OBJECT_NAME	VARCHAR(30)		Name of the PL/SQL function or procedure used to define privileges.

Using the DBMS_MACADM Package

This chapter contains:

- [About the DBMS_MACADM Package](#)
- [Realm Procedures Within DBMS_MACADM](#)
- [Rule Set Procedures Within DBMS_MACADM](#)
- [Command Rule Procedures Within DBMS_MACADM](#)
- [Factor Procedures and Functions Within DBMS_MACADM](#)
- [Secure Application Role Procedures Within DBMS_MACADM](#)
- [Oracle Label Security Policy Procedures Within DBMS_MACADM](#)

About the DBMS_MACADM Package

The procedures and functions within the DBMS_MACADM package allow you to write applications that configure the realms, factors, rule sets, command rules, secure application roles, and Oracle Label Security policies normally configured in Oracle Database Vault Administrator.

The DBMS_MACADM package is available only for users who have the DV_ADMIN or DV_OWNER role.

Many of the parameters used in the procedures and functions in the DBMS_MACADM package can use the constants available in the DBMS_MACUTL package. See "[DBMS_MACUTL Constants](#)" on page 14-1 for more information.

Oracle Database Vault also provides a set of PL/SQL interfaces that you can use with the DBMS_MACADM package. See [Chapter 15, "Using the Oracle Database Vault PL/SQL Interfaces,"](#) for more information.

Realm Procedures Within DBMS_MACADM

[Table 12-1](#) lists procedures within the DBMS_MACADM package that you can use to configure realms. For constants that you can use with these procedures, see [Table 14-1](#) on page 14-1 for more information.

[Chapter 4, "Configuring Realms"](#) describes realms in detail. See also [Chapter 14, "Using the DBMS_MACUTL Package"](#) for a set of general purpose utility procedures that you can use with the realm procedures.

Table 12–1 DBMS_MACADM Realm Configuration Procedures

Procedure	Description
ADD_AUTH_TO_REALM Procedure	Authorizes a user or role to access a realm as an owner or a participant
ADD_OBJECT_TO_REALM Procedure	Registers a set of objects for realm protection
CREATE_REALM Procedure	Creates a realm
DELETE_AUTH_FROM_REALM Procedure	Removes the authorization of a user or role to access a realm
DELETE_OBJECT_FROM_REALM Procedure	Removes a set of objects from realm protection
DELETE_REALM Procedure	Deletes a realm
DELETE_REALM_CASCADE Procedure	Deletes a realm, including its related Database Vault configuration information
RENAME_REALM Procedure	Renames a realm. The name change takes effect everywhere the realm is used
UPDATE_REALM Procedure	Updates a realm
UPDATE_REALM_AUTH Procedure	Updates the authorization of a user or role to access a realm

ADD_AUTH_TO_REALM Procedure

The `ADD_AUTH_TO_REALM` procedure authorizes a user or role to access a realm as an owner or a participant. The person running this procedure cannot add himself or herself to the realm as a realm participant. For detailed information about realm authorization, see ["Defining Realm Authorization"](#) on page 4-5.

Syntax

```
DBMS_MACADM.ADD_AUTH_TO_REALM(
    realm_name    IN VARCHAR2,
    grantee       IN VARCHAR2,
    rule_set_name IN VARCHAR2,
    auth_options  IN NUMBER);
```

Parameters

Table 12–2 ADD_AUTH_TO_REALM Parameters

Parameter	Description
<code>realm_name</code>	<p>Realm name.</p> <p>To find the existing realms in the current database instance, query the <code>DVSYS.DBA_DV_REALM</code> view, described in "DBA_DV_REALM View" on page 11-20.</p>
<code>grantee</code>	<p>User or role name to authorize as an owner or a participant. You cannot select yourself (that is, the user logging in) or anyone who has been granted the <code>DV_OWNER</code>, <code>DV_ADMIN</code>, or <code>DV_SECANALYST</code> roles.</p> <p>To find the existing users and roles in the current database instance, query the <code>DBA_USERS</code> and <code>DBA_ROLES</code> views, described in <i>Oracle Database Reference</i>.</p> <p>To find the authorization of a particular user or role, query the <code>DVA_DV_REALM_AUTH</code> view, described in "DBA_DV_REALM_AUTH View" on page 11-20.</p> <p>To find existing secure application roles used in privilege management, query the <code>DVSYS.DBA_DV_ROLE</code> view. Both are described in "Oracle Database Vault Data Dictionary Views" on page 11-10.</p>

Table 12–2 (Cont.) ADD_AUTH_TO_REALM Parameters

Parameter	Description
rule_set_name	<p>Rule set to check before authorizing (optional). If the rule set evaluates to TRUE, then the authorization is allowed.</p> <p>To find the available rule sets, query the DVSYS.DBA_DV_RULE_SET view, described in "DBA_DV_RULE_SET View" on page 11-22.</p>
auth_options	<p>Optional. Specify one of the following options to authorize the realm:</p> <ul style="list-style-type: none"> ▪ DBMS_MACUTL.G_REALM_AUTH_PARTICIPANT: Participant (default). This account or role provides system or direct privileges to access, manipulate, and create objects protected by the realm, provided these rights have been granted using the standard Oracle Database privilege grant process. ▪ DBMS_MACUTL.G_REALM_AUTH_OWNER: Owner. This account or role has the same privileges as the realm participant, plus the authorization to grant or revoke realm-secured database roles. A realm can have multiple owners. <p>See "Defining Realm Authorization" on page 4-5 for more information on participants and owners.</p>

Examples

The following example authorizes user SYSADM as a participant in the Performance Statistics Realm. Because the default is to authorize the user as a participant, the auth_options parameter can be omitted.

```
BEGIN
  DBMS_MACADM.ADD_AUTH_TO_REALM(
    realm_name => 'Performance Statistics Realm',
    grantee    => 'SYSADM');
END;
/
```

This example sets user SYSADM as the owner of the Performance Statistics Realm.

```
BEGIN
  DBMS_MACADM.ADD_AUTH_TO_REALM(
    realm_name  => 'Performance Statistics Realm',
    grantee     => 'SYSADM',
    auth_options => DBMS_MACUTL.G_REALM_AUTH_OWNER);
END;
/
```

The next example triggers the Check Conf Access rule set before allowing user SYSADM to be made the owner of the Performance Statistics Realm.

```
BEGIN
  DBMS_MACADM.ADD_AUTH_TO_REALM(
    realm_name  => 'Performance Statistics Realm',
    grantee     => 'SYSADM',
    rule_set_name => 'Check Conf Access',
    auth_options => DBMS_MACUTL.G_REALM_AUTH_OWNER);
END;
/
```

ADD_OBJECT_TO_REALM Procedure

The ADD_OBJECT_TO_REALM procedure registers a set of objects for realm protection.

Syntax

```
DBMS_MACADM.ADD_OBJECT_TO_REALM(
    realm_name    IN VARCHAR2,
    object_owner  IN VARCHAR2,
    object_name   IN VARCHAR2,
    object_type   IN VARCHAR2);
```

Parameters

Table 12-3 ADD_OBJECT_TO_REALM Parameters

Parameter	Description
realm_name	<p>Realm name.</p> <p>To find the existing realms in the current database instance, query the DVSYS.DBA_DV_REALM view, described in "DBA_DV_REALM View" on page 11-20</p>
object_owner	<p>The owner of the object that is being added to the realm. If you add a role to a realm, the object owner of the role is shown as % (for all), because roles do not have owners.</p> <p>To find the available users, query the DBA_USERS view, described in <i>Oracle Database Reference</i>.</p> <p>To find the authorization of a particular user or role, query the DVA_DV_REALM_AUTH view, described in "DBA_DV_REALM_AUTH View" on page 11-20.</p>
object_name	<p>Object name. (The wildcard % is allowed. See "Object Name" under "Creating Realm-Secured Objects" on page 4-4 for exceptions to the wildcard %.) You can also use the DBMS_MACUTL.G_ALL_OBJECT constant.</p> <p>To find the available objects, query the ALL_OBJECTS view, described in <i>Oracle Database Reference</i>.</p> <p>To find objects that are secured by existing realms, query the DVSYS.DBA_DV_REALM_OBJECT view, described in "DBA_DV_REALM_OBJECT View" on page 11-21.</p>
object_type	<p>Object type, such as TABLE, INDEX, or ROLE. (The wildcard % is allowed. See "Object Types" under "Creating Realm-Secured Objects" on page 4-4 for exceptions to the wildcard %.)</p> <p>You can also use the DBMS_MACUTL.G_ALL_OBJECT constant.</p>

Example

```
BEGIN
  DBMS_MACADM.ADD_OBJECT_TO_REALM(
    realm_name => 'Performance Statistics Realm',
    object_owner => '%',
    object_name => 'GATHER_SYSTEM_STATISTICS',
    object_type => 'ROLE');
END;
/
```

CREATE_REALM Procedure

The CREATE_REALM procedure creates a realm. After you create the realm, use the following procedures to complete the realm definition:

- ADD_OBJECT_TO_REALM procedure registers one or more objects for the realm.
- ADD_AUTH_TO_REALM procedures authorize users or roles for the realm.

Syntax

```
DBMS_MACADM.CREATE_REALM(
    realm_name    IN VARCHAR2,
    description   IN VARCHAR2,
    enabled       IN VARCHAR2,
    audit_options IN NUMBER);
```

Parameters

Table 12–4 CREATE_REALM Parameters

Parameter	Description
realm_name	<p>Realm name, up to 90 characters in mixed-case.</p> <p>To find the existing realms in the current database instance, query the DVSYS.DBA_DV_REALM view, described in "DBA_DV_REALM View" on page 11-20.</p>
description	Description of the purpose of the realm, up to 1024 characters in mixed-case.
enabled	DBMS_MACUTL.G_YES (Yes) enables realm checking; DBMS_MACUTL.G_NO (No) disables it. The default is DBMS_MACUTL.G_YES.
audit_options	<p>Specify one of the following options to audit the realm:</p> <ul style="list-style-type: none"> ■ DBMS_MACUTL.G_REALM_AUDIT_OFF: Disables auditing for the realm ■ DBMS_MACUTL.G_REALM_AUDIT_FAIL: Creates an audit record when a realm violation occurs (for example, when an unauthorized user tries to modify an object that is protected by the realm) ■ DBMS_MACUTL.G_REALM_AUDIT_SUCCESS: Creates an audit record for authorized activities on objects protected by the realm ■ DBMS_MACUTL.G_REALM_AUDIT_FAIL + DBMS_MACUTL.G_REALM_AUDIT_SUCCESS: Creates an audit record for both authorized and unauthorized activities on objects protected by the realm

Example

```
BEGIN
    DBMS_MACADM.CREATE_REALM(
        realm_name    => 'Performance Statistics Realm',
        description   => 'Realm to measure performance',
        enabled       => DBMS_MACUTL.G_YES,
        audit_options => DBMS_MACUTL.G_REALM_AUDIT_FAIL + DBMS_MACUTL.G_REALM_AUDIT_
    SUCCESS);
END;
/
```

See Also: [Example 14–1, "Creating a Realm Using DBMS_MACUTL Constants"](#) on page 14-4

DELETE_AUTH_FROM_REALM Procedure

The DELETE_AUTH_FROM_REALM procedure removes the authorization of a user or role to access a realm.

Syntax

```
DBMS_MACADM.DELETE_AUTH_FROM_REALM(
    realm_name IN VARCHAR2,
    grantee    IN VARCHAR2);
```

Parameters

Table 12–5 DELETED_AUTH_FROM_REALM Parameters

Parameter	Description
realm_name	<p>Realm name.</p> <p>To find the existing realms in the current database instance, query the DVSYS.DBA_DV_REALM view, described in "DBA_DV_REALM View" on page 11-20</p>
grantee	<p>User or role name.</p> <p>To find the authorization of a particular user or role, query the DVA_DV_REALM_AUTH view, described in "DBA_DV_REALM_AUTH View" on page 11-20.</p>

Example

```

BEGIN
  DBMS_MACADM.DELETE_AUTH_FROM_REALM(
    realm_name => 'Performance Statistics Realm',
    grantee    => 'SYS');
END;
/

```

DELETE_OBJECT_FROM_REALM Procedure

The DELETE_OBJECT_FROM_REALM procedure removes a set of objects from realm protection.

Syntax

```

DBMS_MACADM.DELETE_OBJECT_FROM_REALM(
  realm_name  IN VARCHAR2,
  object_owner IN VARCHAR2,
  object_name IN VARCHAR2,
  object_type IN VARCHAR2);

```

Parameters

Table 12–6 DELETED_OBJECT_FROM_REALM Parameters

Parameter	Description
realm_name	<p>Realm name.</p> <p>To find the existing realms in the current database instance, query the DVSYS.DBA_DV_REALM view, described in "DBA_DV_REALM View" on page 11-20</p>
object_owner	<p>The owner of the object that was added to the realm.</p> <p>To find the available users, query the DBA_USERS view, described in <i>Oracle Database Reference</i>.</p>
object_name	<p>Object name. (The wildcard % is allowed. See "Object Name" under "Creating Realm-Secured Objects" on page 4-4 for exceptions to the wildcard %.) You can also use the DBMS_MACUTL.G_ALL_OBJECT constant.</p> <p>To find objects that are secured by existing realms, query the DVSYS.DBA_DV_REALM_OBJECT view, described in "DBA_DV_REALM_OBJECT View" on page 11-21.</p>

Table 12–6 (Cont.) DELETE_OBJECT_FROM_REALM Parameters

Parameter	Description
object_type	Object type, such as TABLE, INDEX, or ROLE. (The wildcard % is allowed. See "Object Types" under "Creating Realm-Secured Objects" on page 4-4 for exceptions to the wildcard %.) You can also use the DBMS_MACUTL.G_ALL_OBJECT constant.

Example

```
BEGIN
  DBMS_MACADM.DELETE_OBJECT_FROM_REALM(
    realm_name => 'Performance Statistics Realm',
    object_owner => 'SYS',
    object_name => 'GATHER_SYSTEM_STATISTICS',
    object_type => 'ROLE');
END;
/
```

DELETE_REALM Procedure

The DELETE_REALM procedure deletes a realm but does not remove its associated objects and authorizations. Before you delete a realm, you can locate its associated objects by querying the DVSYS.DBA_DV_REALM_OBJECT view, described in "Oracle Database Vault Data Dictionary Views" on page 11-10.

If you want to remove the associated objects and authorizations as well as the realm, see "DELETE_REALM_CASCADE Procedure" on page 12-7.

Syntax

```
DBMS_MACADM.DELETE_REALM(
  realm_name IN VARCHAR2);
```

Parameters

Table 12–7 DELETE_REALM Parameter

Parameter	Description
realm_name	Realm name. To find the existing realms in the current database instance, query the DVSYS.DBA_DV_REALM view, described in "DBA_DV_REALM View" on page 11-20

Example

```
EXEC DBMS_MACADM.DELETE_REALM('Performance Statistics Realm');
```

DELETE_REALM_CASCADE Procedure

The DELETE_REALM_CASCADE procedure deletes a realm, including its related Database Vault configuration information that specifies who is authorized (DVSYS.DBA_DV_REALM_AUTH view) and what objects are protected (DVSYS.DBA_DV_REALM_OBJECT view). It does not delete the actual database objects or users. To find a listing of the realm-related objects, query the DVSYS.DBA_DV_REALM view. To find its authorizations, query DVSYS.DBA_DV_REALM_AUTH. Both are described under "Oracle Database Vault Data Dictionary Views" on page 11-10.

Syntax

```
DBMS_MACADM.DELETE_REALM_CASCADE (
    realm_name IN VARCHAR2);
```

Parameters

Table 12–8 *DELETE_REALM_CASCADE Parameter*

Parameter	Description
realm_name	<p>Realm name.</p> <p>To find the existing realms in the current database instance, query the DVSYS.DBA_DV_REALM view, described in "DBA_DV_REALM View" on page 11-20</p>

Example

```
EXEC DBMS_MACADM.DELETE_REALM_CASCADE('Performance Statistics Realm');
```

RENAME_REALM Procedure

The RENAME_REALM procedure renames a realm. The name change takes effect everywhere the realm is used.

Syntax

```
DBMS_MACADM.RENAME_REALM (
    realm_name IN VARCHAR2,
    new_name IN VARCHAR2);
```

Parameters

Table 12–9 *RENAME_REALM Parameters*

Parameter	Description
realm_name	<p>Current realm name.</p> <p>To find the existing realms in the current database instance, query the DVSYS.DBA_DV_REALM view, described in "DBA_DV_REALM View" on page 11-20</p>
new_name	New realm name, up to 90 characters in mixed-case.

Example

```
BEGIN
    DBMS_MACADM.RENAME_REALM(
        realm_name => 'Performance Statistics Realm',
        new_name   => 'Sector 2 Performance Statistics Realm');
END;
/
```

UPDATE_REALM Procedure

The UPDATE_REALM procedure updates a realm.

Syntax

```
DBMS_MACADM.UPDATE_REALM (
    realm_name IN VARCHAR2,
    description IN VARCHAR2,
```



```

enabled      IN VARCHAR2,
audit_options IN NUMBER DEFAULT NULL);
    
```

Parameters

Table 12–10 UPDATE_REALM Parameters

Parameter	Description
realm_name	Realm name. To find the existing realms in the current database instance, query the DVSYS.DBA_DV_REALM view, described in " DBA_DV_REALM View " on page 11-20
description	Description of the purpose of the realm, up to 1024 characters in mixed-case.
enabled	DBMS_MACUTL.G_YES (Yes) enables realm checking; DBMS_MACUTL.G_NO (No) disables it. The default is DBMS_MACUTL.G_YES.
audit_options	Optional. The default is previous audit option setting, which you can check by querying the DVSYS.DBA_DV_REALM data dictionary view. Specify one of the following options to audit the realm: <ul style="list-style-type: none"> ▪ DBMS_MACUTL.G_REALM_AUDIT_OFF: Disables auditing for the realm (default) ▪ DBMS_MACUTL.G_REALM_AUDIT_FAIL: Creates an audit record when a realm violation occurs (for example, when an unauthorized user tries to modify an object that is protected by the realm) ▪ DBMS_MACUTL.G_REALM_AUDIT_SUCCESS: Creates an audit record for authorized activities on objects protected by the realm ▪ DBMS_MACUTL.G_REALM_AUDIT_FAIL + DBMS_MACUTL.G_REALM_AUDIT_SUCCESS: Creates an audit record for both authorized and unauthorized activities on objects protected by the realm

Example

```

BEGIN
  DBMS_MACADM.UPDATE_REALM(
    realm_name   => 'Sector 2 Performance Statistics Realm',
    description  => 'Realm to measure performance for Sector 2 applications',
    enabled      => DBMS_MACUTL.G_YES,
    audit_options => DBMS_MACUTL.G_REALM_AUDIT_FAIL + G_REALM_AUDIT_SUCCESS);
END;
/
    
```

UPDATE_REALM_AUTH Procedure

The UPDATE_REALM_AUTH procedure updates the authorization of a user or role to access a realm.

Syntax

```

DBMS_MACADM.UPDATE_REALM_AUTH(
  realm_name   IN VARCHAR2,
  grantee      IN VARCHAR2,
  rule_set_name IN VARCHAR2,
  auth_options IN NUMBER);
    
```

Parameters

Table 12–11 UPDATE_REALM_AUTH Parameters

Parameter	Description
realm_name	<p>Realm name.</p> <p>To find the existing realms in the current database instance, query the DVSYS.DBA_DV_REALM view, described in "DBA_DV_REALM View" on page 11-20.</p>
grantee	<p>User or role name.</p> <p>To find the available users and roles, query the DBA_USERS and DBA_ROLES views, described in <i>Oracle Database Reference</i>.</p> <p>To find the authorization of a particular user or role, query the DVA_DV_REALM_AUTH view, described in DBA_DV_REALM_AUTH View on page 11-20.</p> <p>To find existing secure application roles used in privilege management, query the DVSYS.DBA_DV_ROLE view, described in "DBA_DV_ROLE View" on page 11-21.</p>
rule_set_name	<p>Rule set to check before authorizing (optional). If the rule set evaluates to TRUE, then the authorization is allowed.</p> <p>To find the available rule sets, query the DVSYS.DBA_DV_RULE_SET view. To find rules that are associated with the rule sets, query the DBA_DB_RULE_SET_RULE view. Both are described in "Oracle Database Vault Data Dictionary Views" on page 11-10.</p>
auth_options	<p>Optional. Specify one of the following options to authorize the realm:</p> <ul style="list-style-type: none"> ■ DBMS_MACUTL.G_REALM_AUTH_PARTICIPANT: Participant (default). This account or role provides system or direct privileges to access, manipulate, and create objects protected by the realm, provided these rights have been granted using the standard Oracle Database privilege grant process. ■ DBMS_MACUTL.G_REALM_AUTH_OWNER: Owner. This account or role has the same privileges as the realm participant, plus the authorization to grant or revoke realm-secured database roles. A realm can have multiple owners.

Example

```
BEGIN
  DBMS_MACADM.UPDATE_REALM_AUTH(
    realm_name => 'Sector 2 Performance Statistics Realm',
    grantee    => 'SYSADM',
    rule_set_name => 'Check Conf Access',
    auth_options => DBMS_MACUTL.G_REALM_AUTH_OWNER);
END;
/
```

Rule Set Procedures Within DBMS_MACADM

[Table 12–12](#) lists procedures within the DBMS_MACADM package that you can use to configure rule sets.

See Also:

- [Chapter 5, "Configuring Rule Sets"](#) for detailed information about rule sets
- [Chapter 14, "Using the DBMS_MACUTL Package"](#) for a set of general-purpose utility procedures that you can use with the rule set procedures
- [Chapter 15, "Using the Oracle Database Vault PL/SQL Interfaces,"](#) for PL/SQL interfaces that you can use with rules

Table 12–12 DBMS_MACADM Rule Set Configuration Procedures

Procedure	Description
ADD_RULE_TO_RULE_SET Procedure	Adds a rule to a rule set
CREATE_RULE Procedure	Creates a rule
CREATE_RULE_SET Procedure	Creates a rule set
DELETE_RULE Procedure	Deletes a rule
DELETE_RULE_FROM_RULE_SET Procedure	Deletes a rule from a rule set
DELETE_RULE_SET Procedure	Deletes a rule set
RENAME_RULE Procedure	Renames a rule. The name change takes effect everywhere the rule is used.
RENAME_RULE_SET Procedure	Renames a rule set. The name change takes effect everywhere the rule set is used.
SYNC_RULES Procedure	Synchronizes the rules
UPDATE_RULE Procedure	Updates a rule
UPDATE_RULE_SET Procedure	Updates a rule set

ADD_RULE_TO_RULE_SET Procedure

The `ADD_RULE_TO_RULE_SET` procedure adds a rule to a rule set, and lets you specify whether to have the rule be checked when the rule set is evaluated.

Syntax

```
DBMS_MACADM.ADD_RULE_TO_RULE_SET (
  rule_set_name  IN VARCHAR2,
  rule_name      IN VARCHAR2,
  rule_order     IN NUMBER,
  enabled        IN VARCHAR2);
```

Parameters**Table 12–13 ADD_RULE_TO_RULE_SET Parameters**

Parameter	Description
<code>rule_set_name</code>	Rule set name. To find existing rule sets in the current database instance, query the <code>DVSYS.DBA_DV_RULE_SET</code> view, described in "DBA_DV_RULE_SET View" on page 11-22.

Table 12–13 (Cont.) ADD_RULE_TO_RULE_SET Parameters

Parameter	Description
rule_name	Rule to add to the rule set. To find existing rules, query the DVSYS.DBA_DV_RULE view, described in "DBA_DV_RULE View" on page 11-22. To find rules that have been associated with rule sets, use DVSYS.DBA_DV_RULE_SET_RULE, described in "DBA_DV_RULE View" on page 11-22.
rule_order	Does not apply to this release, but you must include a value for the ADD_RULE_TO_RULE_SET procedure to work. Enter 1.
enabled	Optional. Determines whether the rule should be checked when the rule set is evaluated. Possible values are: <ul style="list-style-type: none"> ■ DBMS_MACUTL.G_YES (Yes; default) ■ DBMS_MACUTL.G_NO (No) See Table 14–1 on page 14-1 for more information.

Examples

The following example adds a rule to a rule set, and by omitting the enabled parameter, automatically enables the rule to be checked when the rule set is evaluated.

```
BEGIN
  DBMS_MACADM.ADD_RULE_TO_RULE_SET(
    rule_set_name => 'Limit_DBA_Access',
    rule_name     => 'Restrict DROP TABLE operations',
    rule_order   => 1);
END;
/
```

This example adds the rule to the rule set but disables rule checking.

```
BEGIN
  DBMS_MACADM.ADD_RULE_TO_RULE_SET(
    rule_set_name => 'Limit_DBA_Access',
    rule_name     => 'Check UPDATE operations',
    rule_order   => 1,
    enabled      => DBMS_MACUTL.G_NO);
END;
/
```

CREATE_RULE Procedure

The CREATE_RULE procedure creates a rule. After you create a rule, you can add it to a rule set.

Syntax

```
DBMS_MACADM.CREATE_RULE(
  rule_name IN VARCHAR2,
  rule_expr IN VARCHAR2);
```

Parameters

Table 12-14 CREATE_RULE Parameters

Parameter	Description
rule_name	<p>Rule name, up to 90 characters in mixed-case. Spaces are allowed.</p> <p>To find existing rules in the current database instance, query the DVSYS.DBA_DV_RULE view, described in "DBA_DV_RULE View" on page 11-22.</p> <p>To find rules that have been associated with rule sets, query DVSYS.DBA_DV_RULE_SET_RULE, described in "DBA_DV_RULE_SET_RULE View" on page 11-24.</p>
rule_expr	<p>PL/SQL BOOLEAN expression.</p> <p>If the expression contains quotation marks, do not use double quotation marks. Instead, use two single quotation marks. Enclose the entire expression within single quotation marks. For example:</p> <pre>'TO_CHAR(SYSDATE, 'HH24') = '12'''</pre> <p>See "Creating a New Rule" on page 5-5 for more information on rule expressions.</p>

Example

```
BEGIN
  DBMS_MACADM.CREATE_RULE(
    rule_name => 'Check UPDATE operations',
    rule_expr => 'SYS_CONTEXT(''USERENV'', ''SESSION_USER'') = ''SYSADM''');
END;
/
```

CREATE_RULE_SET Procedure

The CREATE_RULE_SET procedure creates a rule set. After you create a rule set, you can use the CREATE_RULE and ADD_RULE_TO_RULE_SET procedures to create and add rules to the rule set.

Syntax

```
DBMS_MACADM.CREATE_RULE_SET(
  rule_set_name    IN VARCHAR2,
  description      IN VARCHAR2,
  enabled          IN VARCHAR2,
  eval_options     IN NUMBER,
  audit_options    IN NUMBER,
  fail_options     IN NUMBER,
  fail_message     IN VARCHAR2,
  fail_code        IN NUMBER,
  handler_options  IN NUMBER,
  handler          IN VARCHAR2);
```

Parameters

Table 12–15 CREATE_RULE_SET Parameters

Parameter	Description
rule_set_name	Rule set name, up to 90 characters in mixed-case. Spaces are allowed. To find existing rule sets in the current database instance, query the <code>DVSYS.DBA_DV_RULE_SET</code> view, described in " DBA_DV_RULE_SET View " on page 11-22.
description	Description of the purpose of the rule set, up to 1024 characters in mixed-case.
enabled	<code>DBMS_MACUTL.G_YES</code> (Yes) enables the rule set; <code>DBMS_MACUTL.G_NO</code> (No) disables it. The default is <code>DBMS_MACUTL.G_YES</code> .
eval_options	If you plan to assign more than one rule to the rule set, enter one of the following settings: <ul style="list-style-type: none"> ■ <code>DBMS_MACUTL.G_RULESET_EVAL_ALL</code>: All rules in the rule set must evaluate to true for the rule set itself to evaluate to true. ■ <code>DBMS_MACUTL.G_RULESET_EVAL_ANY</code>: At least one rule in the rule set must evaluate to true for the rule set itself to evaluate to true.
audit_options	Select one of the following settings: <ul style="list-style-type: none"> ■ <code>DBMS_MACUTL.G_RULESET_AUDIT_OFF</code>: Disables auditing for the rule set ■ <code>DBMS_MACUTL.G_RULESET_AUDIT_FAIL</code>: Creates an audit record when a rule set violation occurs ■ <code>DBMS_MACUTL.G_RULESET_AUDIT_SUCCESS</code>: Creates an audit record for a successful rule set evaluation ■ <code>DBMS_MACUTL.G_RULESET_AUDIT_FAIL + DBMS_MACUTL.G_RULESET_AUDIT_SUCCESS</code>: Creates an audit record for both successful and failed rule set evaluations <p>See "Audit Options" on page 5-3 for more information.</p>
fail_options	Options for reporting factor errors: <ul style="list-style-type: none"> ■ <code>DBMS_MACUTL.G_RULESET_FAIL_SHOW</code>: Shows an error message. ■ <code>DBMS_MACUTL.G_RULESET_FAIL_SILENT</code>: Does not show an error message. <p>See "Error Handling Options" on page 5-4 for more information.</p>
fail_message	Error message for failure, up to 80 characters in mixed-case, to associate with the fail code you specify for <code>fail_code</code> .
fail_code	Enter a negative number in the range of -20000 to -20999, to associate with the <code>fail_message</code> parameter.
handler_options	Select one of the following settings: <ul style="list-style-type: none"> ■ <code>DBMS_MACUTL.G_RULESET_HANDLER_OFF</code>: Disables error handling. ■ <code>DBMS_MACUTL.G_RULESET_HANDLER_FAIL</code>: Call handler on rule set failure. ■ <code>DBMS_MACUTL.G_RULESET_HANDLER_SUCCESS</code>: Call handler on rule set success. <p>See "Error Handling Options" on page 5-4 for more information.</p>
handler	Name of the PL/SQL function or procedure that defines the custom event handler logic. See " Error Handling Options " on page 5-4 for more information.

Example

```

BEGIN
DBMS_MACADM.CREATE_RULE_SET(
  rule_set_name   => 'Limit_DBA_Access',
  description     => 'DBA access through predefined processes',
  enabled         => DBMS_MACUTL.G_YES,
  eval_options    => DBMS_MACUTL.G_RULESET_EVAL_ANY,
  audit_options   => DBMS_MACUTL.G_RULESET_AUDIT_OFF,
  fail_options    => DBMS_MACUTL.G_RULESET_FAIL_SILENT,
  fail_message    => '',
  fail_code       => 20461,
  handler_options => DBMS_MACUTL.G_RULESET_HANDLER_FAIL,
  handler         => 'dbavowner.email_alert');
END;

```

See Also: [Example 14–2, "Creating a Rule Set Using DBMS_MACUTL Constants"](#) on page 14-4

DELETE_RULE Procedure

The DELETE_RULE procedure deletes a rule.

Syntax

```

DBMS_MACADM.DELETE_RULE(
  rule_name IN VARCHAR2);

```

Parameter

Table 12–16 DELETE_RULE Parameter

Parameter	Description
rule_name	<p>Rule name.</p> <p>To find existing rules in the current database instance, query the DVSYS.DBA_DV_RULE view, described in "DBA_DV_RULE View" on page 11-22.</p> <p>To find rules that have been associated with rule sets, query DVSYS.DBA_DV_RULE_SET_RULE, described in "DBA_DV_RULE_SET_RULE View" on page 11-24.</p>

Example

```

EXEC DBMS_MACADM.DELETE_RULE('Check UPDATE operations');

```

DELETE_RULE_FROM_RULE_SET Procedure

The DELETE_RULE_FROM_RULE_SET procedure deletes a rule from a rule set.

Syntax

```

DBMS_MACADM.DELETE_RULE_FROM_RULE_SET(
  rule_set_name IN VARCHAR2,
  rule_name     IN VARCHAR2);

```

Parameters

Table 12–17 *DELETE_RULE_FROM_RULE_SET Parameters*

Parameter	Description
rule_set_name	Rule set name. To find existing rule sets in the current database instance, query the DVSYS.DBA_DV_RULE_SET view, described in " DBA_DV_RULE_SET View " on page 11-22.
rule_name	Rule to remove from the rule set. To find existing rules in the current database instance, query the DVSYS.DBA_DV_RULE view, described in " DBA_DV_RULE View " on page 11-22. To find rules that have been associated with rule sets, query DVSYS.DBA_DV_RULE_SET_RULE, described in " DBA_DV_RULE_SET_RULE View " on page 11-24.

Example

```
BEGIN
  DBMS_MACADM.DELETE_RULE_FROM_RULE_SET(
    rule_set_name => 'Limit_DBA_Access',
    rule_name      => 'Check UPDATE operations');
END;
/
```

DELETE_RULE_SET Procedure

The DELETE_RULE_SET procedure deletes a rule set.

Syntax

```
DBMS_MACADM.DELETE_RULE_SET(
  rule_set_name IN VARCHAR2);
```

Parameters

Table 12–18 *DELETE_RULE_SET Parameter*

Parameter	Description
rule_set_name	Rule set name. To find existing rule sets in the current database instance, query the DVSYS.DBA_DV_RULE_SET view, described in " DBA_DV_RULE_SET View " on page 11-22.

Example

```
EXEC DBMS_MACADM.DELETE_RULE_SET('Limit_DBA_Access');
```

RENAME_RULE Procedure

The RENAME_RULE procedure renames a rule. The name change takes effect everywhere the rule is used.

Syntax

```
DBMS_MACADM.RENAME_RULE(
  rule_name  IN VARCHAR2,
  new_name   IN VARCHAR2);
```


Parameters

Table 12–19 *RENAME_RULE Parameters*

Parameter	Description
rule_name	Current rule name. To find existing rules in the current database instance, query the DVSYS.DBA_DV_RULE view, described in " DBA_DV_RULE View " on page 11-22. To find rules that have been associated with rule sets, query DVSYS.DBA_DV_RULE_SET_RULE, described in " DBA_DV_RULE_SET_RULE View " on page 11-24.
new_name	New rule name, up to 90 characters in mixed-case.

Example

```
BEGIN
  DBMS_MACADM.RENAME_RULE (
    rule_name => 'Check UPDATE operations',
    new_name  => 'Check Sector 2 Processes');
END;
/
```

RENAME_RULE_SET Procedure

The RENAME_RULE_SET procedure renames a rule set. The name change takes effect everywhere the rule set is used.

Syntax

```
DBMS_MACADM.RENAME_RULE_SET (
  rule_set_name IN VARCHAR2,
  new_name      IN VARCHAR2);
```

Parameters

Table 12–20 *RENAME_RULE_SET Parameters*

Parameter	Description
rule_set_name	Current rule set name. To find existing rule sets in the current database instance, query the DVSYS.DBA_DV_RULE_SET view, described in " DBA_DV_RULE_SET View " on page 11-22.
new_name	New rule set name, up to 90 characters in mixed-case. Spaces are allowed.

Example

```
BEGIN
  DBMS_MACADM.RENAME_RULE_SET (
    rule_set_name => 'Limit_DBA_Access',
    new_name      => 'Limit Sector 2 Access');
END;
/
```

SYNC_RULES Procedure

The SYNC_RULES procedure synchronizes the rules in Oracle Database Vault and Advanced Queuing Rules engine. You must perform this operation immediately after you roll back an ADD_RULE_TO_RULESET, a DELETE_RULE, or an UPDATE_RULE operation.

Syntax

```
DBMS_MACADM.SYNC_RULES();
```

Parameters

None.

Example

```
EXEC DBMS_MACADM.SYNC_RULES();
```

UPDATE_RULE Procedure

The UPDATE_RULE procedure updates a rule.

Syntax

```
DBMS_MACADM.UPDATE_RULE(
  rule_name IN VARCHAR2,
  rule_expr IN VARCHAR2);
```

Parameters

Table 12–21 UPDATE_RULE Parameters

Parameter	Description
rule_name	<p>Rule name.</p> <p>To find existing rules in the current database instance, query the DVSYS.DBA_DV_RULE view, described in "DBA_DV_RULE View" on page 11-22.</p> <p>To find rules that have been associated with rule sets, query DVSYS.DBA_DV_RULE_SET_RULE, described in "DBA_DV_RULE_SET_RULE View" on page 11-24.</p>
rule_expr	<p>PL/SQL BOOLEAN expression.</p> <p>If the expression contains quotation marks, do not use double quotation marks. Instead, use two single quotation marks. Enclose the entire expression within single quotation marks. For example:</p> <pre>'TO_CHAR(SYSDATE, 'HH24') = '12''</pre> <p>See "Creating a New Rule" on page 5-5 for more information on rule expressions.</p> <p>To find existing rule expressions, query the DVSYS.DBA_DV_RULE view.</p>

Example

```
BEGIN
  DBMS_MACADM.UPDATE_RULE(
    rule_name => 'Check UPDATE operations',
    rule_expr => 'SYS_CONTEXT(''USERENV'', 'SESSION_USER') = ''SYSADM'' AND
      (
        UPPER(SYS_CONTEXT(''USERENV'', 'MODULE')) LIKE ''APPSRVR%'' OR
        UPPER(SYS_CONTEXT(''USERENV'', 'MODULE')) LIKE ''DBAPP%'' )'
```

```

);
END;
/

```

UPDATE_RULE_SET Procedure

The UPDATE_RULE_SET procedure updates a rule set.

Syntax

```

DBMS_MACADM.UPDATE_RULE_SET (
    rule_set_name    IN VARCHAR2,
    description      IN VARCHAR2,
    enabled          IN VARCHAR2,
    eval_options     IN NUMBER,
    audit_options    IN NUMBER,
    fail_options     IN NUMBER,
    fail_message     IN VARCHAR2,
    fail_code        IN NUMBER,
    handler_options  IN NUMBER,
    handler          IN VARCHAR2);

```

Parameters

Table 12–22 UPDATE_RULE_SET Parameters

Parameter	Description
rule_set_name	Rule set name. To find existing rule sets in the current database instance, query the DVSYS.DBA_DV_RULE_SET view, described in " DBA_DV_RULE_SET View " on page 11-22.
description	Description of the purpose of the rule set, up to 1024 characters in mixed-case.
enabled	DBMS_MACUTL.G_YES (Yes) enables rule set checking; DBMS_MACUTL.G_NO (No) disables it. The default is DBMS_MACUTL.G_YES.
eval_options	If you plan to assign more than one rule to the rule set, enter one of the following settings: <ul style="list-style-type: none"> ■ DBMS_MACUTL.G_RULESET_EVAL_ALL: All rules in the rule set must evaluate to true for the rule set itself to evaluate to true. ■ DBMS_MACUTL.G_RULESET_EVAL_ANY: At least one rule in the rule set must evaluate to true for the rule set itself to evaluate to true.
audit_options	Select one of the following settings: <ul style="list-style-type: none"> ■ DBMS_MACUTL.G_RULESET_AUDIT_OFF: Disables auditing ■ DBMS_MACUTL.G_RULESET_AUDIT_FAIL: Audits if the rule set evaluates to false (fails). ■ DBMS_MACUTL.G_RULESET_AUDIT_SUCCESS: Audits whenever the rule set is used. See " Audit Options " on page 5-3 for more information.
fail_options	Options for reporting factor errors: <ul style="list-style-type: none"> ■ DBMS_MACUTL.G_RULESET_FAIL_SHOW: Shows an error message. ■ DBMS_MACUTL.G_RULESET_FAIL_SILENT: Does not show an error message. See " Error Handling Options " on page 5-4 for more information.

Table 12–22 (Cont.) UPDATE_RULE_SET Parameters

Parameter	Description
fail_message	Error message for failure, up to 80 characters in mixed-case, to associate with the fail code you specify for fail_code.
fail_code	Enter a negative number in the range of -20000 to -20999, to associate with the fail_message.
handler_options	Select one of the following settings: <ul style="list-style-type: none"> ■ DBMS_MACUTL.G_RULESET_HANDLER_OFF: Disables error handling. ■ DBMS_MACUTL.G_RULESET_HANDLER_FAIL: Call handler on rule set failure. ■ DBMS_MACUTL.G_RULESET_HANDLER_SUCCESS: Call handler on rule set success. See "Error Handling Options" on page 5-4 for more information.
handler	Name of the PL/SQL function or procedure that defines the custom event handler logic. See "Error Handling Options" on page 5-4 for more information.

Example

```

BEGIN
  DBMS_MACADM.UPDATE_RULE_SET (
    rule_set_name    => 'Limit_DBA_Access',
    description      => 'DBA access through predefined processes',
    enabled          => DBMS_MACUTL.G_YES,
    eval_options     => DBMS_MACUTL.G_RULESET_EVAL_ANY,
    audit_options    => DBMS_MACUTL.G_RULESET_AUDIT_OFF,
    fail_options     => DBMS_MACUTL.G_RULESET_FAIL_SHOW,
    fail_message     => 'Access denied!',
    fail_code        => -20900,
    handler_options  => 0,
    handler          => '');
END;
/

```

Command Rule Procedures Within DBMS_MACADM

[Table 12–23](#) lists procedures within the DBMS_MACADM package that you can use to configure command rules.

[Chapter 6, "Configuring Command Rules"](#) describes command rules in detail. See also [Chapter 14, "Using the DBMS_MACUTL Package"](#) for a set of general-purpose utility procedures that you can use with the command rule procedures.

Table 12–23 DBMS_MACADM Command Rule Configuration Procedures

Procedure	Description
CREATE_COMMAND_RULE Procedure	Creates a command rule, associates it with a rule set, and lets you enable the command rule for rule checking with a rule set
DELETE_COMMAND_RULE Procedure	Drops a command rule declaration
UPDATE_COMMAND_RULE Procedure	Updates a command rule declaration

CREATE_COMMAND_RULE Procedure

The CREATE_COMMAND_RULE procedure creates a command rule, associates it with a rule set, and lets you enable the command rule for rule checking with a rule set.

Syntax

```
DBMS_MACADM.CREATE_COMMAND_RULE(
    command          IN VARCHAR2,
    rule_set_name    IN VARCHAR2,
    object_owner     IN VARCHAR2,
    object_name      IN VARCHAR2,
    enabled          IN VARCHAR2);
```

Parameters

Table 12–24 CREATE_COMMAND_RULE Parameters

Parameter	Description
command	SQL statement to protect. See also the following: <ul style="list-style-type: none"> ▪ "DBA_DV_COMMAND_RULE View" on page 11-12 for a listing of existing command rules ▪ "SQL Statements That Can Be Protected by Command Rules" on page 6-3 for a listing of available SQL statements that you can use ▪ <i>Oracle Database SQL Reference</i> for more information about SQL statements
rule_set_name	Name of rule set to associate with this command rule. To find existing rule sets in the current database instance, query the DVSYS.DBA_DV_RULE_SET view, described in "DBA_DV_RULE_SET View" on page 11-22.
object_owner	Database schema owner for this command rule. The wildcard % is allowed. To find the available users, query the DBA_USERS view, described in <i>Oracle Database Reference</i> . See also "Object Owner" in "Creating and Editing a Command Rule" on page 6-4 for more information about command rule owners.
object_name	Object name. (The wildcard % is allowed. See "Object Name" in "Creating and Editing a Command Rule" on page 6-4 for more information about objects protected by command rules.) To find the available objects, query the ALL_OBJECTS view, described in <i>Oracle Database Reference</i> .
enabled	DBMS_MACUTL.G_YES (Yes) enables the command rule; DBMS_MACUTL.G_NO (No) disables it. The default is DBMS_MACUTL.G_YES.

Example

```
BEGIN
DBMS_MACADM.CREATE_COMMAND_RULE (
    command          => 'SELECT',
    rule_set_name    => 'Limit Sector 2 Access',
    object_owner     => 'SYSADM',
    object_name      => 'EMP_DATA',
    enabled          => DBMS_MACUTL.G_YES);
END;
```

/

DELETE_COMMAND_RULE Procedure

The DELETE_COMMAND_RULE procedure drops a command rule declaration.

Syntax

```
DBMS_MACADM.DELETE_COMMAND_RULE (
  command      IN VARCHAR2,
  object_owner IN VARCHAR2,
  object_name  IN VARCHAR2);
```

Parameters

Table 12–25 DELETE_COMMAND_RULE Parameters

Parameter	Description
command	SQL statement the command rule protects. To find available command rules, query the DVSYS.DBA_DV_COMMAND_RULE view, described in " DBA_DV_COMMAND_RULE View " on page 11-12
object_owner	Database schema owner for this command rule. To find the available users in the current database instance, query the DBA_USERS view, described in <i>Oracle Database Reference</i> . See also "Object Owner" in " Creating and Editing a Command Rule " on page 6-4 for more information about command rule owners.
object_name	Object name. (The wildcard % is allowed. See "Object Name" in " Creating and Editing a Command Rule " on page 6-4 for more information about objects protected by command rules.) To find the available objects, query the ALL_OBJECTS view, described in <i>Oracle Database Reference</i> .

Example

```
BEGIN
  DBMS_MACADM.DELETE_COMMAND_RULE (
    command      => 'SELECT',
    object_owner => 'SYSADM',
    object_name  => 'EMP_DATA');
END;
/
```

UPDATE_COMMAND_RULE Procedure

The UPDATE_COMMAND_RULE procedure updates a command rule declaration.

Syntax

```
DBMS_MACADM.UPDATE_COMMAND_RULE (
  command      IN VARCHAR2,
  rule_set_name IN VARCHAR2,
  object_owner IN VARCHAR2,
  object_name  IN VARCHAR2,
  enabled      IN VARCHAR2);
```

Parameters

Table 12–26 UPDATE_COMMAND_RULE Parameters

Parameter	Description
command	SQL statement to protect. See also the following: <ul style="list-style-type: none"> ▪ "DBA_DV_COMMAND_RULE View" on page 11-12 for a listing of existing command rules ▪ "SQL Statements That Can Be Protected by Command Rules" on page 6-3 for a listing of available SQL statements that you can use ▪ <i>Oracle Database SQL Reference</i> for more information about SQL statements
rule_set_name	Name of rule set to associate with this command rule. To find existing rule sets in the current database instance, query the DVSYS.DBA_DV_RULE_SET view, described in "Oracle Database Vault Data Dictionary Views" on page 11-10.
object_owner	Database schema to which this command rule applies. To find the available users, query the DBA_USERS view, described in <i>Oracle Database Reference</i> . See also "Object Owner" in "Creating and Editing a Command Rule" on page 6-4 for more information.
object_name	Object name. (The wildcard % is allowed. See "Object Name" in "Creating and Editing a Command Rule" on page 6-4 for more information about objects protected by command rules.) To find the available objects, query the ALL_OBJECTS view, described in <i>Oracle Database Reference</i> .
enabled	DBMS_MACUTL.G_YES (Yes) enables the command rule; DBMS_MACUTL.G_NO (No) disables it. The default is DBMS_MACUTL.G_YES.

Example

```
BEGIN
  DBMS_MACADM.UPDATE_COMMAND_RULE (
    command      => 'SELECT',
    rule_set_name => 'Limit Sector 2 Access',
    object_owner  => 'SYSADM',
    object_name   => '%',
    enabled       => DBMS_MACUTL.G_NO);
END;
/
```

Factor Procedures and Functions Within DBMS_MACADM

[Table 12–27](#) lists procedures and functions within the DBMS_MACADM package that you can use to configure factors.

See Also:

- [Chapter 7, "Configuring Factors"](#) for detailed information about factors
- [Chapter 14, "Using the DBMS_MACUTL Package"](#) for a set of general-purpose utility procedures that you can use with the factor procedures
- [Chapter 15, "Using the Oracle Database Vault PL/SQL Interfaces,"](#) for a set of PL/SQL interfaces that you can use with factors

Table 12–27 DBMS_MACADM Factor Configuration Procedures

Procedure	Description
ADD_FACTOR_LINK Procedure	Specifies a parent-child relationship for two factors
ADD_POLICY_FACTOR Procedure	Specifies that the label for a factor contributes to the Oracle Label Security label for a policy
CHANGE_IDENTITY_FACTOR Procedure	Associates an identity with a different factor
CHANGE_IDENTITY_VALUE Procedure	Updates the value of an identity
CREATE_DOMAIN_IDENTITY Procedure	Adds an Oracle Real Application Clusters (Oracle RAC) database node to the domain factor identities and labels it according to the Oracle Label Security policy
CREATE_FACTOR Procedure	Creates a factor
CREATE_FACTOR_TYPE Procedure	Creates a factor type
CREATE_IDENTITY Procedure	Creates an identity
CREATE_IDENTITY_MAP Procedure	Defines a set of tests that are used to derive the identity of a factor from the value of linked child factors (subfactors)
DELETE_FACTOR Procedure	Deletes a factor
DELETE_FACTOR_LINK Procedure	Removes a parent-child relationship for two factors
DELETE_FACTOR_TYPE Procedure	Deletes a factor type
DELETE_IDENTITY Procedure	Removes an identity
DELETE_IDENTITY_MAP Procedure	Removes an identity map from a factor
DROP_DOMAIN_IDENTITY Procedure	Removes an Oracle Real Application Clusters (Oracle RAC) database node from a domain
GET_INSTANCE_INFO Function	Returns information from the SYS.V_\$INSTANCE system table about the current database instance; returns a VARCHAR2 value
GET_SESSION_INFO Function	Returns information from the SYS.V_\$SESSION system table for the current session; returns a VARCHAR2 value
RENAME_FACTOR Procedure	Renames a factor. The name change takes effect everywhere the factor is used.
RENAME_FACTOR_TYPE Procedure	Renames a factor type. The name change takes effect everywhere the factor type is used.
UPDATE_FACTOR Procedure	Updates a factor
UPDATE_FACTOR_TYPE Procedure	Updates the description of a factor type
UPDATE_IDENTITY Procedure	Updates the trust level of a factor identity

ADD_FACTOR_LINK Procedure

The ADD_FACTOR_LINK procedure specifies a parent-child relationship for two factors.

Syntax

```
DBMS_MACADM.ADD_FACTOR_LINK (
  parent_factor_name IN VARCHAR2,
  child_factor_name  IN VARCHAR2,
  label_indicator    IN VARCHAR2);
```

Parameters

Table 12–28 ADD_FACTOR_LINK Parameters

Parameter	Description
parent_factor_name	Parent factor name. To find existing parent and child factors in the current database instance, query the DVSYS.DBA_DV_FACTOR_LINK view, described in " DBA_DV_FACTOR_LINK View " on page 11-15.
child_factor_name	Child factor name.
label_indicator	Indicates that the child factor being linked to the parent factor contributes to the label of the parent factor in an Oracle Label Security integration. Specify either DBMS_MACUTL.G_YES (for Yes) or DBMS_MACUTL.G_NO (for No). To find the Oracle Label Security policies and labels associated with factors, query the following views, described in " Oracle Database Vault Data Dictionary Views " on page 11-10: <ul style="list-style-type: none"> ▪ DVSYS.DBA_DV_MAC_POLICY: Lists Oracle Label Security policies defined in the current database instance. ▪ DVSYS.DBA_DV_MAC_POLICY_FACTOR: Lists the factors that are associated with Oracle Label Security policies for the current database instance. ▪ DVSYS.DBA_DV_POLICY_LABEL: Lists the Oracle Label Security label for each factor identifier in the DVSYS.DBA_DV_IDENTITY view for each policy.

Example

```
BEGIN
  DBMS_MACADM.ADD_FACTOR_LINK (
    parent_factor_name => 'HQ_ClientID',
    child_factor_name  => 'Div1_ClientID',
    label_indicator    => DBMS_MACUTL.G_YES);
END;
/
```

ADD_POLICY_FACTOR Procedure

The ADD_POLICY_FACTOR procedure specifies that the label for a factor contributes to the Oracle Label Security label for a policy.

Syntax

```
DBMS_MACADM.ADD_POLICY_FACTOR (
  policy_name  IN VARCHAR2,
  factor_name  IN VARCHAR2);
```

Parameters

Table 12–29 ADD_POLICY_FACTOR Parameters

Parameter	Description
policy_name	Oracle Label Security policy name. To find the policies defined in the current database instance, query the DVSYS.DBA_DV_MAC_POLICY view, described in " DBA_DV_MAC_POLICY View " on page 11-17. To find factors that are associated with Oracle Label Security policies, query DVSYS.DBA_DV_MAC_POLICY_FACTOR, described in " DBA_DV_MAC_POLICY_FACTOR View " on page 11-18.
factor_name	Factor name. To find existing factors, query the DVSYS.DBA_DV_FACTOR view, described in " DBA_DV_FACTOR View " on page 11-13.

Example

```
BEGIN
  DBMS_MACADM.ADD_POLICY_FACTOR(
    policy_name => 'AccessData',
    factor_name => 'Sector2_ClientID');
END;
/
```

CHANGE_IDENTITY_FACTOR Procedure

The CHANGE_IDENTITY_FACTOR procedure associates an identity with a different factor.

Syntax

```
DBMS_MACADM.CHANGE_IDENTITY_FACTOR(
  factor_name      IN VARCHAR2,
  value            IN VARCHAR2,
  new_factor_name  IN VARCHAR2);
```

Parameters

Table 12–30 CHANGE_IDENTITY_FACTOR Parameters

Parameter	Description
factor_name	Current factor name. To find existing factors, query the DVSYS.DBA_DV_FACTOR view, described in " DBA_DV_FACTOR View " on page 11-13
value	Value of the identity to update. To find existing identities for each factor in the current database instance, query the DVSYS.DBA_DV_IDENTITY view, described in " DBA_DV_IDENTITY View " on page 11-16. To find current identity mappings, query the DVSYS.DBA_DV_IDENTITY_MAP view, described in " DBA_DV_IDENTITY_MAP View " on page 11-17.
new_factor_name	Name of the factor to associate with the identity, which you can find by querying the DVSYS.DBA_DV_FACTOR view, described in " DBA_DV_FACTOR View " on page 11-13.

Example

```

BEGIN
  DBMS_MACADM.CHANGE_IDENTITY_FACTOR(
    factor_name => 'Sector2_ClientID',
    value       => 'intranet',
    new_factor_name => 'Sector4_ClientID');
END;
/

```

CHANGE_IDENTITY_VALUE Procedure

The CHANGE_IDENTITY_FACTOR procedure updates the value of an identity.

Syntax

```

DBMS_MACADM.CHANGE_IDENTITY_VALUE (
  factor_name  IN VARCHAR2,
  value        IN VARCHAR2,
  new_value    IN VARCHAR2);

```

Parameters**Table 12–31** CHANGE_IDENTITY_VALUE Parameters

Parameter	Description
factor_name	Factor name. To find existing factors, query the DVSYS.DBA_DV_FACTOR view, described in "DBA_DV_FACTOR View" on page 11-13
value	Current value associated with the identity. To find existing identities for each factor in the current database instance, query the DVSYS.DBA_DV_IDENTITY view, described in "DBA_DV_IDENTITY View" on page 11-16. To find current identity mappings, query the DVSYS.DBA_DV_IDENTITY_MAP view, described in "DBA_DV_IDENTITY_MAP View" on page 11-17.
new_value	New identity value, up to 1024 characters in mixed-case.

Example

```

BEGIN
  DBMS_MACADM.CHANGE_IDENTITY_VALUE(
    factor_name => 'Sector2_ClientID',
    value       => 'remote',
    new_value   => 'intranet');
END;
/

```

CREATE_DOMAIN_IDENTITY Procedure

The CREATE_DOMAIN_IDENTITY procedure adds an Oracle Real Application Clusters (Oracle RAC) database node to the domain factor identities and labels it according to the Oracle Label Security policy.

Syntax

```

DBMS_MACADM.CREATE_DOMAIN_IDENTITY (
  domain_name  IN VARCHAR2,
  domain_host  IN VARCHAR2,
  policy_name  IN VARCHAR2 DEFAULT NULL,

```

```
domain_label IN VARCHAR2 DEFAULT NULL);
```

Parameters

Table 12–32 CREATE_DOMAIN_IDENTITY Parameters

Parameter	Description
domain_name	Name of the domain to which to add the host. To find the logical location of the database within the network structure within a distributed database system, run the <code>DVF.F\$DATABASE_DOMAIN</code> function, described in " Oracle Database Vault PL/SQL Factor Functions " on page 15-5.
domain_host	Oracle Real Application Clusters host name being added to the domain. To find host name of a database, run the <code>DVF.F\$DATABASE_HOSTNAME</code> function, described in " Oracle Database Vault PL/SQL Factor Functions " on page 15-5.
policy_name	Oracle Label Security policy name. If you omit the policy name, then the domain is not associated with any policy. To find the available policies, query the <code>DVSYS.DBA_DV_MAC_POLICY</code> view, described in " DBA_DV_MAC_POLICY View " on page 11-17.
domain_label	Name of the domain to which to add the Oracle Label Security policy.

Examples

```
BEGIN
  DBMS_MACADM.CREATE_DOMAIN_IDENTITY (
    domain_name => 'example',
    domain_host => 'mydom_host',
    policy_name => 'AccessData',
    domain_label => 'sensitive');
END;
/
```

CREATE_FACTOR Procedure

The `CREATE_FACTOR` procedure creates a factor. After you create a factor, you can give it an identity by using the `CREATE_IDENTITY` procedure, described in "[CREATE_IDENTITY Procedure](#)" on page 12-31.

Syntax

```
DBMS_MACADM.CREATE_FACTOR (
  factor_name          IN VARCHAR2,
  factor_type_name    IN VARCHAR2,
  description         IN VARCHAR2,
  rule_set_name       IN VARCHAR2,
  get_expr            IN VARCHAR2,
  validate_expr       IN VARCHAR2,
  identify_by         IN NUMBER,
  labeled_by          IN NUMBER,
  eval_options        IN NUMBER,
  audit_options       IN NUMBER,
  fail_options        IN NUMBER);
```

Parameters

Table 12-33 CREATE_FACTOR Parameters

Parameter	Description
factor_name	Factor name, up to 30 characters in mixed-case, without spaces. To find existing factors in the current database instance, query the DVSYS.DBA_DV_FACTOR view, described in " DBA_DV_FACTOR View " on page 11-13.
factor_type_name	Type of the factor, up to 30 characters in mixed-case, without spaces. To find existing factor types, query the DBA_DV_FACTOR_TYPE view, described in " DBA_DV_FACTOR_TYPE View " on page 11-16.
description	Description of the purpose of the factor, up to 1024 characters in mixed-case.
rule_set_name	Rule set name if you want to use a rule set to control when and how a factor identity is set. To find existing rule sets, query the DVSYS.DBA_DV_RULE_SET view, described in " Oracle Database Vault Data Dictionary Views " on page 11-10. See also " Assignment Rule Set " on page 7-8 for more information about assigning rule sets to factors.
get_expr	Valid PL/SQL expression that retrieves the identity of a factor. It can use up to 255 characters in mixed-case. See " Retrieval Method " on page 7-7 for more information. See also the audit_options parameter.
validate_expr	Name of the procedure to validate the factor. This is a valid PL/SQL expression that returns a Boolean value (TRUE or FALSE) to validate the identity of the factor. See " Validation Method " on page 7-7 for more information.
identify_by	Options for determining the identity of a factor, based on the expression set for the get_expr parameter: <ul style="list-style-type: none"> ■ DBMS_MACUTL.G_IDENTIFY_BY_CONSTANT: By constant ■ DBMS_MACUTL.G_IDENTIFY_BY_METHOD: By method ■ DBMS_MACUTL.G_IDENTIFY_BY_FACTOR: By factor ■ DBMS_MACUTL.G_IDENTIFY_BY_CONTEXT: By context See " Factor Identification " on page 7-5 for more information.
labeled_by	Options for labeling the factor: <ul style="list-style-type: none"> ■ DBMS_MACUTL.G_LABELED_BY_SELF: Labels the identities for the factor directly from the labels associated with an Oracle Label Security policy ■ DBMS_MACUTL.G_LABELED_BY_FACTORS: Derives the factor identity label from the labels of its child factor identities. See " Factor Labeling " on page 7-6 for more information.
eval_options	Options for evaluating the factor when the user logs on: <ul style="list-style-type: none"> ■ DBMS_MACUTL.G_EVAL_ON_SESSION: When the database session is created ■ DBMS_MACUTL.G_EVAL_ON_ACCESS: Each time the factor is accessed ■ DBMS_MACUTL.G_EVAL_ON_STARTUP: On start-up See " Evaluation " on page 7-6 for more information.

Table 12-33 (Cont.) CREATE_FACTOR Parameters

Parameter	Description
audit_options	Options for auditing the factor if you want to generate a custom Oracle Database Vault audit record. <ul style="list-style-type: none"> ■ DBMS_MACUTL.G_AUDIT_OFF: Disables auditing. ■ DBMS_MACUTL.G_AUDIT_ALWAYS: Always audits. ■ DBMS_MACUTL.G_AUDIT_ON_GET_ERROR: Audits if get_expr returns an error. ■ DBMS_MACUTL.G_AUDIT_ON_GET_NULL: Audits if get_expr is null. ■ DBMS_MACUTL.G_AUDIT_ON_VALIDATE_ERROR: Audits if the validation procedure returns an error. ■ DBMS_MACUTL.G_AUDIT_ON_VALIDATE_FALSE: Audits if the validation procedure is false. ■ DBMS_MACUTL.G_AUDIT_ON_TRUST_LEVEL_NULL: Audits if there is no trust level set. ■ DBMS_MACUTL.G_AUDIT_ON_TRUST_LEVEL_NEG: Audits if the trust level is negative. <p>See "Audit Options" on page 7-8 for more information.</p>
fail_options	Options for reporting factor errors: <ul style="list-style-type: none"> ■ DBMS_MACUTL.G_FAIL_WITH_MESSAGE: Shows an error message. ■ DBMS_MACUTL.G_FAIL_SILENTLY: Does not show an error message. <p>See "Error Options" on page 7-9 for more information.</p>

Example

```

BEGIN
  DBMS_MACADM.CREATE_FACTOR(
    factor_name      => 'Sector2_DB',
    factor_type_name => 'Instance',
    description     => ' ',
    rule_set_name   => 'Limit_DBA_Access',
    get_expr        => 'UPPER(SYS_CONTEXT(''USERENV'', ''DB_NAME''))',
    validate_expr   => 'dbavowner.check_db_access',
    identify_by     => DBMS_MACUTL.G_IDENTIFY_BY_METHOD,
    labeled_by      => DBMS_MACUTL.G_LABELED_BY_SELF,
    eval_options    => DBMS_MACUTL.G_EVAL_ON_SESSION,
    audit_options   => DBMS_MACUTL.G_AUDIT_OFF,
    fail_options    => DBMS_MACUTL.G_FAIL_SILENTLY);
END;
/

```

CREATE_FACTOR_TYPE Procedure

The CREATE_FACTOR_TYPE procedure creates a user-defined factor type.

Syntax

```

DBMS_MACADM.CREATE_FACTOR_TYPE(
  name           IN VARCHAR2,
  description    IN VARCHAR2);

```

Parameters

Table 12–34 *CREATE_FACTOR_TYPE Parameters*

Parameter	Description
name	Factor type name, up to 30 characters in mixed-case, without spaces. To find existing factor types, query the DVSYS.DBA_DV_FACTOR_TYPE view, described in " DBA_DV_FACTOR_TYPE View " on page 11-16.
description	Description of the purpose of the factor type, up to 1024 characters in mixed-case.

Example

```
BEGIN
  DBMS_MACADM.CREATE_FACTOR_TYPE(
    name          => 'Sector2Instance',
    description => 'Checks DB instances used in Sector 2');
END;
/
```

CREATE_IDENTITY Procedure

The `CREATE_IDENTITY` procedure assigns an identity and an associated trust level for a given factor. After you create a factor, you must assign it an identity.

Syntax

```
DBMS_MACADM.CREATE_IDENTITY(
  factor_name IN VARCHAR2,
  value       IN VARCHAR2,
  trust_level IN NUMBER);
```

Parameters

Table 12–35 *CREATE_IDENTITY Parameters*

Parameter	Description
factor_name	Factor name. To find existing factors, query the DVSYS.DBA_DV_FACTOR view, described in " DBA_DV_FACTOR View " on page 11-13.
value	The actual value of the factor, up to 1024 characters in mixed-case. For example, the identity of an IP_Address factor could be the IP address of 192.0.2.12.
trust_level	Number that indicates the magnitude of trust relative to other identities for the same factor. In general, the higher the trust level number is set, the greater the trust. A trust level of 10 indicates "very trusted." Negative trust levels are not trusted. See " Creating and Configuring a Factor Identity " on page 7-10 for more information about trust levels and label security.

Example

```
BEGIN
  DBMS_MACADM.CREATE_IDENTITY(
    factor_name => 'Sector2_ClientID',
    value       => 'intranet',
    trust_level => 5);
END;
```

/

CREATE_IDENTITY_MAP Procedure

The `CREATE_IDENTITY_MAP` procedure defines a set of tests that are used to derive the identity of a factor from the value of linked child factors (subfactors).

Syntax

```
DBMS_MACADM.CREATE_IDENTITY_MAP(
  identity_factor_name IN VARCHAR2,
  identity_factor_value IN VARCHAR2,
  parent_factor_name IN VARCHAR2,
  child_factor_name IN VARCHAR2,
  operation IN VARCHAR2,
  operand1 IN VARCHAR2,
  operand2 IN VARCHAR2);
```

Parameters

Table 12-36 *CREATE_IDENTITY_MAP Parameters*

Parameter	Description
<code>identity_factor_name</code>	Factor the identity map is for. To find existing factors in the current database instance, query the <code>DVSYS.DBA_DV_FACTOR</code> view, described in " Oracle Database Vault Data Dictionary Views " on page 11-10.
<code>identity_factor_value</code>	Value the factor assumes if the identity map evaluates to TRUE. To find existing factor identities, query the <code>DVSYS.DBA_DV_IDENTITY</code> view, described in " DBA_DV_IDENTITY View " on page 11-16. To find current factor identity mappings, use <code>DVSYS.DBA_DV_IDENTITY_MAP</code> , described in " DBA_DV_IDENTITY_MAP View " on page 11-17.
<code>parent_factor_name</code>	The parent factor link to which the map is related. To find existing parent-child factor mappings, query the <code>DVSYS.DBA_DV_IDENTITY_MAP</code> view, described in " DBA_DV_IDENTITY_MAP View " on page 11-17.
<code>child_factor_name</code>	The child factor link to which the map is related.
<code>operation</code>	Relational operator for the identity map (for example, <code><</code> , <code>></code> , <code>=</code> , and so on).
<code>operand1</code>	Left operand for the relational operator; refers to the low value you enter.
<code>operand2</code>	Right operand for the relational operator; refers to the high value you enter.

Example

```
BEGIN
  DBMS_MACADM.CREATE_IDENTITY_MAP (
    identity_factor_name => 'Sector2_ClientID',
    identity_factor_value => 'intranet',
    parent_factor_name => 'HQ_ClientID',
    child_factor_name => 'Div1_ClientID',
    operation => '<',
    operand1 => '192.0.2.50',
```



```

operand2          => '192.0.2.100');
END;
/

```

DELETE_FACTOR Procedure

The DELETE_FACTOR procedure deletes a factor.

Syntax

```

DBMS_MACADM.DELETE_FACTOR(
    factor_name IN VARCHAR2);

```

Parameters

Table 12–37 DELETE_FACTOR Parameter

Parameter	Description
factor_name	Factor name. To find existing factors in the current database instance, query the DVSYS.DBA_DV_FACTOR view, described in " DBA_DV_FACTOR View " on page 11-13.

Example

```

EXEC DBMS_MACADM.DELETE_FACTOR('Sector2_ClientID');

```

DELETE_FACTOR_LINK Procedure

The DELETE_FACTOR_LINK procedure removes a parent-child relationship for two factors.

Syntax

```

DBMS_MACADM.DELETE_FACTOR_LINK(
    parent_factor_name IN VARCHAR2,
    child_factor_name  IN VARCHAR2);

```

Parameters

Table 12–38 DELETE_FACTOR_LINK Parameters

Parameter	Description
parent_factor_name	Factor name. To find factors that are used in parent-child mappings in the current database instance, query the DVSYS.DBA_DV_FACTOR_LINK view, described in " DBA_DV_FACTOR_LINK View " on page 11-15.
child_factor_name	Factor name.

Example

```

BEGIN
    DBMS_MACADM.DELETE_FACTOR_LINK(
        parent_factor_name => 'HQ_ClientID',
        child_factor_name  => 'Div1_ClientID');
END;
/

```

DELETE_FACTOR_TYPE Procedure

The DELETE_FACTOR_TYPE procedure deletes a factor type.

Syntax

```
DBMS_MACADM.DELETE_FACTOR_TYPE(
  name IN VARCHAR2);
```

Parameters

Table 12–39 DELETE_FACTOR_TYPE Parameters

Parameter	Description
name	Factor type name. To find existing factor types, query the DVSYS.DBA_DV_FACTOR_TYPE view, described in " DBA_DV_FACTOR_TYPE View " on page 11-16.

Example

```
EXEC DBMS_MACADM.DELETE_FACTOR_TYPE('Sector2Instance');
```

DELETE_IDENTITY Procedure

The DELETE_IDENTITY procedure removes an identity from an existing factor.

Syntax

```
DBMS_MACADM.DELETE_IDENTITY(
  factor_name IN VARCHAR2,
  value       IN VARCHAR2);
```

Parameters

Table 12–40 DELETE_IDENTITY Parameters

Parameter	Description
factor_name	Factor name. To find existing factors in the current database instance, query the DVSYS.DBA_DV_FACTOR view, described in " DBA_DV_FACTOR View " on page 11-13.
value	Identity value associated with the factor. To find the identities for each factor in the current database instance, query the DVSYS.DBA_DV_IDENTITY view, described in " DBA_DV_IDENTITY View " on page 11-16.

Example

```
BEGIN
  DBMS_MACADM.DELETE_IDENTITY(
    factor_name => 'Sector2_ClientID',
    value       => 'intranet');
END;
/
```

DELETE_IDENTITY_MAP Procedure

The DELETE_IDENTITY_MAP procedure removes an identity map for a factor.

Syntax

```
DBMS_MACADM.DELETE_IDENTITY_MAP(
  identity_factor_name IN VARCHAR2,
  identity_factor_value IN VARCHAR2,
  parent_factor_name   IN VARCHAR2,
  child_factor_name    IN VARCHAR2,
  operation             IN VARCHAR2,
  operand1             IN VARCHAR2,
  operand2             IN VARCHAR2);
```

Parameters**Table 12-41** *DELETE_IDENTITY_MAP Parameters*

Parameter	Description
identity_factor_name	Factor the identity map is for. To find existing factors in the current database instance, query the DVSYS.DBA_DV_FACTOR view, described in " DBA_DV_FACTOR View " on page 11-13.
identity_factor_value	Value the factor assumes if the identity map evaluates to TRUE. To find existing factor identities, query the DVSYS.DBA_DV_IDENTITY view, described in " DBA_DV_IDENTITY View " on page 11-16. To find current factor identity mappings, query DVSYS.DBA_DV_IDENTITY_MAP, described in " DBA_DV_IDENTITY_MAP View " on page 11-17.
parent_factor_name	The parent factor link to which the map is related. To find existing parent-child factors, query the DVSYS.DBA_DV_FACTOR view, described in " DBA_DV_FACTOR_LINK View " on page 11-15.
child_factor_name	The child factor to which the map is related.
operation	Relational operator for the identity map (for example, <, >, =, and so on).
operand1	Left (low value) operand for the relational operator.
operand2	Right (high value) operand for the relational operator.

Example

```
BEGIN
  DBMS_MACADM.DELETE_IDENTITY_MAP(
    identity_factor_name => 'Sector2_ClientID',
    identity_factor_value => 'intranet',
    parent_factor_name   => 'HQ_ClientID',
    child_factor_name    => 'Div1_ClientID',
    operation            => '<',
    operand1             => '192.0.2.10',
    operand2             => '192.0.2.15');
END;
/
```

DROP_DOMAIN_IDENTITY Procedure

The DROP_DOMAIN_IDENTITY procedure removes an Oracle Real Application Clusters database node from a domain.

Syntax

```
DBMS_MACADM.DROP_DOMAIN_IDENTITY (
    domain_name  IN VARCHAR2,
    domain_host  IN VARCHAR2);
```

Parameters**Table 12–42** *DROP_DOMAIN_IDENTITY Parameters*

Parameter	Description
domain_name	Name of the domain to which the host was added. To find the domain of a database as specified by the DB_DOMAIN initialization parameter, run the DVF.F\$DATABASE_DOMAIN function, described in "Oracle Database Vault PL/SQL Factor Functions" on page 15-5.
domain_host	Oracle Real Application Clusters host name being that was added to the domain. To find the host name for a specified database, run the DVF.F\$DATABASE_HOSTNAME function, described in "Oracle Database Vault PL/SQL Factor Functions" on page 15-5.

Example

```
BEGIN
    DBMS_MACADM.DROP_DOMAIN_IDENTITY (
        domain_name => 'example',
        domain_host => 'mydom_host');
END;
/
```

GET_INSTANCE_INFO Function

The GET_INSTANCE_INFO function returns information from the SYS.V_\$INSTANCE system table about the current database instance. The V\$INSTANCE data dictionary view also contains database instance information from this table. See *Oracle Database Reference* for more information.

Syntax

```
DBMS_MACADM.GET_INSTANCE_INFO (
    p_parameter IN VARCHAR2)
RETURN VARCHAR2;
```

Parameters**Table 12–43** *GET_INSTANCE_INFO Parameter*

Parameter	Description
p_parameter	Column name in the SYS.V_\$INSTANCE view. See <i>Oracle Database Reference</i> for a listing of the SYS.V_\$INSTANCE columns.

Example

```
DECLARE
    instance_var varchar2 := null;
BEGIN
    instance_var = DBMS_MACADM.GET_INSTANCE_INFO('INSTANCE_NAME');
END;
```

/

GET_SESSION_INFO Function

The GET_SESSION_INFO function returns information from the SYS.V_\$SESSION system table for the current session. The V\$SESSION data dictionary view also contains session information from this table. See *Oracle Database Reference* for more information.

Syntax

```
DBMS_MACADM.GET_SESSION_INFO(
  p_parameter IN VARCHAR2)
RETURN VARCHAR2;
```

Parameters

Table 12–44 GET_SESSION_INFO Parameter

Parameter	Description
p_parameter	Column name in the SYS.V_\$SESSION system table

Example

```
DECLARE
  session_var varchar2 := null;
BEGIN
  session_var = DBMS_MACADM.GET_SESSION_INFO('PROCESS');
END;
/
```

RENAME_FACTOR Procedure

The RENAME_FACTOR procedure renames a factor. The name change takes effect everywhere the factor is used.

Syntax

```
DBMS_MACADM.RENAME_FACTOR(
  factor_name      IN VARCHAR2,
  new_factor_name  IN VARCHAR2);
```

Parameters

Table 12–45 RENAME_FACTOR Parameters

Parameter	Description
factor_name	Current factor name. To find existing factors in the current database instance, query the DVSYS.DBA_DV_FACTOR view, described in " DBA_DV_FACTOR View " on page 11-13.
new_factor_name	New factor name, up to 30 characters in mixed-case, without spaces.

Example

```
BEGIN
  DBMS_MACADM.RENAME_FACTOR(
    factor_name      => 'Sector2_ClientID',
    new_factor_name => 'Sector2_Clients');
END;
```

/

RENAME_FACTOR_TYPE Procedure

The `RENAME_FACTOR` procedure renames a factor type. The name change takes effect everywhere the factor type is used.

Syntax

```
DBMS_MACADM.RENAME_FACTOR_TYPE(
  old_name  IN VARCHAR2,
  new_name  IN VARCHAR2);
```

Parameters

Table 12–46 *RENAME_FACTOR_TYPE Parameters*

Parameter	Description
<code>old_name</code>	Current factor type name. To find existing factor types in the current database instance, query the <code>DVSYS.DBA_DV_FACTOR_TYPE</code> view, described in " DBA_DV_FACTOR_TYPE View " on page 11-16.
<code>new_name</code>	New factor type name, up to 30 characters in mixed-case, without spaces.

Example

```
BEGIN
  DBMS_MACADM.RENAME_FACTOR_TYPE(
    old_name => 'Sector2Instance',
    new_name => 'Sector2DBInstance');
END;
/
```

UPDATE_FACTOR Procedure

The `UPDATE_FACTOR` procedure updates the description of a factor type.

Syntax

```
DBMS_MACADM.UPDATE_FACTOR(
  factor_name          IN VARCHAR2,
  factor_type_name     IN VARCHAR2,
  description          IN VARCHAR2,
  rule_set_name       IN VARCHAR2,
  get_expr            IN VARCHAR2,
  validate_expr       IN VARCHAR2,
  identify_by         IN NUMBER,
  labeled_by          IN NUMBER,
  eval_options        IN NUMBER,
  audit_options       IN NUMBER,
  fail_options        IN NUMBER);
```

Parameters

Table 12-47 UPDATE_FACTOR

Parameter	Description
factor_name	Factor name. To find existing factors in the current database instance, query the DVSYS.DBA_DV_FACTOR view, described in " DBA_DV_FACTOR View " on page 11-13.
factor_type_name	Factor type name. To find existing factor types, query the DVSYS.DBA_DV_FACTOR_TYPE view, described in " DBA_DV_FACTOR_TYPE View " on page 11-16.
description	Description of the purpose of the factor, up to 1024 characters in mixed-case.
rule_set_name	Name of the rule set used to control when and how a factor identity is set. To find existing rule sets, query the DVSYS.DBA_DV_RULE_SET view, described in " Oracle Database Vault Data Dictionary Views " on page 11-10. See also " Assignment Rule Set " on page 7-8 for more information about assigning rule sets to factors.
get_expr	Valid PL/SQL expression that retrieves the identity of a factor. It can use up to 255 characters in mixed-case. See " Retrieval Method " on page 7-7 for more information. See also the audit_options parameter.
validate_expr	Name of the procedure to validate factor. This is a valid PL/SQL expression that returns a Boolean value (TRUE or FALSE) to validate the identity of the factor. See " Validation Method " on page 7-7 for more information.
identify_by	Options for determining the identity of a factor, based on the expression set for the get_expr parameter: <ul style="list-style-type: none"> ■ DBMS_MACUTL.G_IDENTIFY_BY_CONSTANT: By constant ■ DBMS_MACUTL.G_IDENTIFY_BY_METHOD: By method ■ DBMS_MACUTL.G_IDENTIFY_BY_FACTOR: By factor ■ DBMS_MACUTL.G_IDENTIFY_BY_CONTEXT: By context See " Factor Identification " on page 7-5 for more information.
labeled_by	Options for labeling the factor: <ul style="list-style-type: none"> ■ DBMS_MACUTL.G_LABELED_BY_SELF: Labels the identities for the factor directly from the labels associated with an Oracle Label Security policy ■ DBMS_MACUTL.G_LABELED_BY_FACTORS: Derives the factor identity label from the labels of its child factor identities. See " Factor Labeling " on page 7-6 for more information.
eval_options	Options for evaluating the factor when the user logs on: <ul style="list-style-type: none"> ■ DBMS_MACUTL.G_EVAL_ON_SESSION: When the database session is created ■ DBMS_MACUTL.G_EVAL_ON_ACCESS: Each time the factor is accessed ■ DBMS_MACUTL.G_EVAL_ON_STARTUP: On start-up See " Evaluation " on page 7-6 for more information.

Table 12–47 (Cont.) UPDATE_FACTOR

Parameter	Description
audit_options	Options for auditing the factor if you want to generate a custom Oracle Database Vault audit record. <ul style="list-style-type: none"> ■ DBMS_MACUTL.G_AUDIT_OFF: Disables auditing. ■ DBMS_MACUTL.G_AUDIT_ALWAYS: Always audits. ■ DBMS_MACUTL.G_AUDIT_ON_GET_ERROR: Audits if get_expr returns an error. ■ DBMS_MACUTL.G_AUDIT_ON_GET_NULL: Audits if get_expr is null. ■ DBMS_MACUTL.G_AUDIT_ON_VALIDATE_ERROR: Audits if the validation procedure returns an error. ■ DBMS_MACUTL.G_AUDIT_ON_VALIDATE_FALSE: Audits if the validation procedure is false. ■ DBMS_MACUTL.G_AUDIT_ON_TRUST_LEVEL_NULL: Audits if there is no trust level set. ■ DBMS_MACUTL.G_AUDIT_ON_TRUST_LEVEL_NEG: Audits if the trust level is negative. <p>See "Audit Options" on page 7-8 for more information.</p>
fail_options	Options for reporting factor errors: <ul style="list-style-type: none"> ■ DBMS_MACUTL.G_FAIL_WITH_MESSAGE: Shows an error message. ■ DBMS_MACUTL.G_FAIL_SILENTLY: Does not show an error message. <p>See "Error Options" on page 7-9 for more information.</p>

Example

```

BEGIN
  DBMS_MACADM.UPDATE_FACTOR(
    factor_name      => 'Sector2_DB',
    factor_type_name => 'Instance',
    description     => ' ',
    rule_set_name   => 'Limit_DBA_Access',
    get_expr        => 'UPPER(SYS_CONTEXT(''USERENV'', ''DB_NAME''))',
    validate_expr   => 'dbavowner.check_db_access',
    identify_by     => DBMS_MACUTL.G_IDENTIFY_BY_METHOD,
    labeled_by      => DBMS_MACUTL.G_LABELED_BY_SELF,
    eval_options    => DBMS_MACUTL.G_EVAL_ON_ACCESS,
    audit_options   => DBMS_MACUTL.G_AUDIT_ALWAYS,
    fail_options    => DBMS_MACUTL.G_FAIL_WITH_MESSAGE);
END;
/

```

UPDATE_FACTOR_TYPE Procedure

The UPDATE_FACTOR_TYPE procedure updates a factor type.

Syntax

```

DBMS_MACADM.UPDATE_FACTOR_TYPE(
  name           IN VARCHAR2,
  description    IN VARCHAR2);

```


Parameters

Table 12–48 UPDATE_FACTOR_TYPE Parameters

Parameter	Description
name	Factor type name. To find existing factor types in the current database instance, query the DVSYS.DBA_DV_FACTOR_TYPE view, described in " DBA_DV_FACTOR_TYPE View " on page 11-16.
description	Description of the purpose of the factor type, up to 1024 characters in mixed case.

Example

```
BEGIN
  DBMS_MACADM.UPDATE_FACTOR_TYPE(
    name      => 'Sector2DBInstance',
    description => 'Checks DB instances used in Sector 2');
END;
/
```

UPDATE_IDENTITY Procedure

The UPDATE_IDENTITY procedure updates the trust level of a factor identity.

Syntax

```
DBMS_MACADM.UPDATE_IDENTITY(
  factor_name IN VARCHAR2,
  value       IN VARCHAR2,
  trust_level IN NUMBER);
```

Parameters

Table 12–49 UPDATE_IDENTITY Parameters

Parameter	Description
factor_name	Factor name. To find existing factors in the current database instance, query the DVSYS.DBA_DV_FACTOR view, described in " DBA_DV_FACTOR View " on page 11-13. To find factors that have identities, query DVSYS.DBA_DV_IDENTITY, described in " DBA_DV_IDENTITY View " on page 11-16.
value	New factor identity, up to 1024 characters in mixed-case. For example, the identity of an IP_Address factor could be the IP address of 192.0.2.12.
trust_level	Number that indicates the magnitude of trust relative to other identities for the same factor. In general, the higher the trust level number is set, the greater the trust. A trust level of 10 indicates "very trusted." Negative trust levels are not trusted. See " Creating and Configuring a Factor Identity " on page 7-10 for more information about trust levels and label security.

Example

```
BEGIN
  DBMS_MACADM.UPDATE_IDENTITY(
    factor_name => 'Sector2_ClientID',
    value       => 'intranet',
```

```

    trust_level => 10);
END;
/

```

Secure Application Role Procedures Within DBMS_MACADM

Table 12–50 lists procedures within the DBMS_MACADM package that you can use to configure Oracle Database Vault secure application roles.

Chapter 8, "Configuring Secure Application Roles for Oracle Database Vault" describes secure application roles in detail. See also Chapter 14, "Using the DBMS_MACUTL Package" for a set of general-purpose utility procedures that you can use with the secure application role procedures.

Table 12–50 DBMS_MACADM Secure Application Role Configuration Procedures

Procedure	Description
CREATE_ROLE Procedure	Creates an Oracle Database Vault secure application role
DELETE_ROLE Procedure	Deletes an Oracle Database Vault secure application role
RENAME_ROLE Procedure	Renames an Oracle Database Vault secure application role. The name change takes effect everywhere the role is used.
UPDATE_ROLE Procedure	Updates a Oracle Database Vault secure application role

CREATE_ROLE Procedure

The CREATE_ROLE procedure creates an Oracle Database Vault secure application role.

Syntax

```

DBMS_MACADM.CREATE_ROLE(
  role_name      IN VARCHAR2,
  enabled        IN VARCHAR2,
  rule_set_name  IN VARCHAR2);

```

Parameters

Table 12–51 CREATE_ROLE Parameters

Parameter	Description
role_name	Role name, up to 30 characters, with no spaces. Preferably, enter the role name in upper case letters, though you are not required to do so. To find existing secure application roles in the current database instance, query the DVSYS.DBA_DV_ROLE view, described in " DBA_DV_ROLE View " on page 11-21.
enabled	DBMS_MACUTL.G_YES (Yes) makes the role available for enabling; DBMS_MACUTL.G_NO (No) prevents the role from being enabled. The default is DBMS_MACUTL.G_YES.
rule_set_name	Name of rule set to determine whether a user can set this secure application role. To find existing rule sets in the current database instance, query the DVSYS.DBA_DV_RULE_SET view, described in " DBA_DV_RULE_SET View " on page 11-22.

Example

```

BEGIN

```

```

DBMS_MACADM.CREATE_ROLE (
  role_name      => 'Sector2_APP_MGR',
  enabled        => DBMS_MACUTL.G_YES,
  rule_set_name  => 'Check App2 Access');
END;
/

```

DELETE_ROLE Procedure

The DELETE_ROLE procedure deletes an Oracle Database Vault secure application role.

Syntax

```

DBMS_MACADM.DELETE_ROLE (
  role_name IN VARCHAR2);

```

Parameters

Table 12-52 DELETE_ROLE Parameter

Parameter	Description
role_name	Role name. To find existing secure application roles in the current database instance, query the DVSYS.DBA_DV_ROLE view, described in " DBA_DV_ROLE View " on page 11-21.

Example

```

EXEC DBMS_MACADM.DELETE_ROLE('SECT2_APP_MGR');

```

RENAME_ROLE Procedure

The RENAME_ROLE procedure renames an Oracle Database Vault secure application role. The name change takes effect everywhere the role is used.

Syntax

```

DBMS_MACADM.RENAME_ROLE (
  role_name      IN VARCHAR2,
  new_role_name  IN VARCHAR2);

```

Parameters

Table 12-53 RENAME_ROLE Parameters

Parameter	Description
role_name	Current role name. Preferably, enter the role name in upper case letters, though you are not required to do so. To find existing secure application roles in the current database instance, query the DVSYS.DBA_DV_ROLE view, described in " DBA_DV_ROLE View " on page 11-21.
new_role_name	Role name, up to 30 characters, in uppercase, with no spaces.

Example

```

BEGIN
  DBMS_MACADM.RENAME_ROLE (
    role_name      => 'SECT2_APP_MGR',
    new_role_name  => 'SECT2_SYSADMIN');

```

```
END;
/
```

UPDATE_ROLE Procedure

The UPDATE_ROLE procedure updates a Oracle Database Vault secure application role.

Syntax

```
DBMS_MACADM.UPDATE_ROLE (
  role_name      IN VARCHAR2,
  enabled        IN VARCHAR2,
  rule_set_name  IN VARCHAR2);
```

Parameters

Table 12–54 UPDATE_ROLE Parameters

Parameter	Description
role_name	Role name. To find existing secure application roles in the current database instance, query the DVSYS.DBA_DV_ROLE view, described in " DBA_DV_ROLE View " on page 11-21.
enabled	DBMS_MACUTL.G_YES (Yes) makes the role available for enabling; DBMS_MACUTL.G_NO (No) prevents the role from being enabled. The default is DBMS_MACUTL.G_YES.
rule_set_name	Name of rule set to determine whether a user can set this secure application role. To find existing rule sets in the current database instance, query the DVSYS.DBA_DV_RULE_SET view, described in " DBA_DV_RULE_SET View " on page 11-22.

Example

```
BEGIN
  DBMS_MACADM.UPDATE_ROLE (
    role_name      => 'SECT2_SYSADMIN',
    enabled        => DBMS_MACUTL.G_YES,
    rule_set_name  => 'System Access Controls');
END;
/
```

Oracle Label Security Policy Procedures Within DBMS_MACADM

[Table 12–55](#) lists procedures within the DBMS_MACADM package that you can use to configure Oracle Label Security policies.

[Chapter 9, "Integrating Oracle Database Vault with Other Oracle Products"](#) describes Oracle Label Security policies in detail. See also [Chapter 14, "Using the DBMS_MACUTL Package"](#) for a set of general-purpose utility procedures that you can use with the Oracle Label Security policy procedures.

Table 12–55 DBMS_MACADM Oracle Label Security Configuration Procedures

Procedure	Description
CREATE_MAC_POLICY Procedure	Specifies the algorithm that is used to merge labels when computing the label for a factor, or the Oracle Label Security Session label
CREATE_POLICY_LABEL Procedure	Labels an identity within an Oracle Label Security policy
DELETE_MAC_POLICY_CASCADE Procedure	Deletes all Oracle Database Vault objects related to an Oracle Label Security policy
DELETE_POLICY_FACTOR Procedure	Removes the factor from contributing to the Oracle Label Security label
DELETE_POLICY_LABEL Procedure	Removes the label from an identity within an Oracle Label Security policy
UPDATE_MAC_POLICY Procedure	Specifies the algorithm that is used to merge labels when computing the label for a factor, or the Oracle Label Security Session label

CREATE_MAC_POLICY Procedure

The `CREATE_MAC_POLICY` procedure specifies the algorithm that is used to merge labels when computing the label for a factor, or the Oracle Label Security Session label.

Syntax

```
DBMS_MACADM.CREATE_MAC_POLICY(
  policy_name IN VARCHAR2,
  algorithm   IN VARCHAR2);
```

Parameters

Table 12–56 CREATE_MAC_POLICY Parameters

Parameter	Description
<code>policy_name</code>	Name of an existing policy. To find existing policies in the current database instance, query the <code>DVSYS.DBA_DV_MAC_POLICY</code> view, described in " DBA_DV_MAC_POLICY View " on page 11-17.
<code>algorithm</code>	Merge algorithm for cases when Oracle Label Security has merged two labels. Enter the code listed in Table 12–57 that corresponds to the merge algorithm you want. For example, enter <code>HUU</code> to if you want to select the Maximum Level/Union/Union merge algorithm. For more information on label-merging algorithms, see <i>Oracle Label Security Administrator's Guide</i> .

Table 12–57 Oracle Label Security Merge Algorithm Codes

Code	Value
<code>HUU</code>	Maximum Level/Union/Union
<code>HIU</code>	Maximum Level/Intersection/Union
<code>HMU</code>	Maximum Level/Minus/Union
<code>HNU</code>	Maximum Level/Null/Union
<code>HUI</code>	Maximum Level/Union/Intersection

Table 12–57 (Cont.) Oracle Label Security Merge Algorithm Codes

Code	Value
HII	Maximum Level/Intersection/Intersection
HMI	Maximum Level/Minus/Intersection
HNI	Maximum Level/Null/Intersection
HUM	Maximum Level/Union/Minus
HIM	Maximum Level/Intersection/Minus
HMM	Maximum Level/Minus/Minus
HNM	Maximum Level/Null/Minus
HUN	Maximum Level/Union/Null
HIN	Maximum Level/Intersection/Null
HMN	Maximum Level/Minus/Null
HNN	Maximum Level/Null/Null
LUU	Minimum Level/Union/Union
LIU	Minimum Level/Intersection/Union
LMU	Minimum Level/Minus/Union
LNU	Minimum Level/Null/Union
LUI	Minimum Level/Union/Intersection
LII	Minimum Level/Intersection/Intersection
LMI	Minimum Level/Minus/Intersection
LNI	Minimum Level/Null/Intersection
LUM	Minimum Level/Union/Minus
LIM	Minimum Level/Intersection/Minus
LMM	Minimum Level/Minus/Minus
LNM	Minimum Level/Null/Minus
LUN	Minimum Level/Union/Null
LIN	Minimum Level/Intersection/Null
LMN	Minimum Level/Minus/Null
LNN	Minimum Level/Null/Null

Example

```

BEGIN
  DBMS_MACADM.CREATE_MAC_POLICY(
    policy_name => 'Access Locations',
    algorithm   => 'HUU');
END;
/

```

CREATE_POLICY_LABEL Procedure

The `CREATE_POLICY_LABEL` procedure labels an identity within an Oracle Label Security policy.

Syntax

```
DBMS_MACADM.CREATE_POLICY_LABEL(
  identity_factor_name  IN VARCHAR2,
  identity_factor_value IN VARCHAR2,
  policy_name          IN VARCHAR2,
  label                IN VARCHAR2);
```

Parameters**Table 12-58 CREATE_POLICY_LABEL Parameters**

Parameter	Description
identity_factor_name	Name of factor being labeled. To find existing factors in the current database instance, query the <code>DVSYS.DBA_DV_FACTOR</code> view, described in " DBA_DV_FACTOR View " on page 11-13. To find factors that are associated with Oracle Label Security policies, use <code>DVSYS.DBA_DV_MAC_POLICY_FACTOR</code> , described in " DBA_DV_MAC_POLICY_FACTOR View " on page 11-18. See also " Label Security Policy Factors " on page 9-4 for more information.
identity_factor_value	Value of identity for the factor being labeled. To find the identities of existing factors in the current database instance, query the <code>DVSYS.DBA_DV_IDENTITY</code> view, described in " DBA_DV_IDENTITY View " on page 11-16.
policy_name	Name of an existing policy. To find existing policies in the current database instance, query the <code>DVSYS.DBA_DV_MAC_POLICY</code> view, described in " DBA_DV_MAC_POLICY View " on page 11-17.
label	Oracle Label Security label name. To find existing policy labels for factor identifiers, query the <code>DVSYS.DBA_DV_POLICY_LABEL</code> view, described in " DBA_DV_POLICY_LABEL View " on page 11-19.

Example

```
BEGIN
  DBMS_MACADM.CREATE_POLICY_LABEL(
    identity_factor_name => 'App_Host_Name',
    identity_factor_value => 'Sect2_Fin_Apps',
    policy_name          => 'Access Locations',
    label                => 'Sensitive');
END;
/
```

DELETE_MAC_POLICY_CASCADE Procedure

The `DELETE_MAC_POLICY_CASCADE` procedure deletes all Oracle Database Vault objects related to an Oracle Label Security policy.

Syntax

```
DBMS_MACADM.DELETE_MAC_POLICY_CASCADE(
  policy_name IN VARCHAR2);
```

Parameters

Table 12–59 *DELETE_MAC_POLICY_CASCADE Parameter*

Parameter	Description
policy_name	Name of an existing policy. To find existing policies in the current database instance, query the <code>DVSYS.DBA_DV_MAC_POLICY</code> view, described in " DBA_DV_MAC_POLICY View " on page 11-17.

Example

```
EXEC DBMS_MACADM.DELETE_MAC_POLICY_CASCADE('Access Locations');
```

DELETE_POLICY_FACTOR Procedure

The `DELETE_POLICY_FACTOR` procedure removes the factor from contributing to the Oracle Label Security label.

Syntax

```
DBMS_MACADM.DELETE_POLICY_FACTOR(
  policy_name IN VARCHAR2,
  factor_name IN VARCHAR2);
```

Parameters

Table 12–60 *DELETE_POLICY_FACTOR Parameters*

Parameter	Description
policy_name	Name of an existing policy. To find existing policies in the current database instance, query the <code>DVSYS.DBA_DV_MAC_POLICY</code> view, described in " DBA_DV_MAC_POLICY View " on page 11-17.
factor_name	Name of factor associated with the Oracle Label Security label. To find factors that are associated with Oracle Label Security policies, query <code>DVSYS.DBA_DV_MAC_POLICY_FACTOR</code> , described in " DBA_DV_MAC_POLICY_FACTOR View " on page 11-18.

Example

```
BEGIN
  DBMS_MACADM.DELETE_POLICY_FACTOR(
    policy_name => 'Access Locations',
    factor_name => 'App_Host_Name');
END;
/
```

DELETE_POLICY_LABEL Procedure

The `DELETE_POLICY_LABEL` procedure removes the label from an identity within an Oracle Label Security policy.

Syntax

```
DBMS_MACADM.DELETE_POLICY_LABEL(
  identity_factor_name IN VARCHAR2,
  identity_factor_value IN VARCHAR2,
  policy_name          IN VARCHAR2,
```



```
label          IN VARCHAR2);
```

Parameters

Table 12–61 DELETE_POLICY_LABEL Parameters

Parameter	Description
identity_factor_name	Name of the factor that was labeled. To find existing factors in the current database instance that are associated with Oracle Label Security policies, query <code>DVSYS.DBA_DV_MAC_POLICY_FACTOR</code> , described in " DBA_DV_MAC_POLICY_FACTOR View " on page 11-18. See also " Label Security Policy Factors " on page 9-4 for more information.
identity_factor_value	Value of identity for the factor that was labeled. To find the identities of existing factors in the current database instance, query the <code>DVSYS.DBA_DV_IDENTITY</code> view, described in " DBA_DV_IDENTITY View " on page 11-16.
policy_name	Name of an existing policy. To find existing policies in the current database instance, query the <code>DVSYS.DBA_DV_MAC_POLICY</code> view, described in " DBA_DV_MAC_POLICY View " on page 11-17.
label	Oracle Label Security label name. To find existing policy labels for factor identifiers, query the <code>DVSYS.DBA_DV_POLICY_LABEL</code> view, described in " DBA_DV_POLICY_LABEL View " on page 11-19.

Example

```
BEGIN
  DBMS_MACADM.DELETE_POLICY_LABEL (
    identity_factor_name => 'App_Host_Name',
    identity_factor_value => 'Sect2_Fin_Apps',
    policy_name          => 'Access Locations',
    label                => 'Sensitive');
END;
/
```

UPDATE_MAC_POLICY Procedure

The `UPDATE_MAC_POLICY` procedure specifies the algorithm that is used to merge labels when computing the label for a factor, or the Oracle Label Security Session label.

Syntax

```
DBMS_MACADM.UPDATE_MAC_POLICY (
  policy_name IN VARCHAR2,
  algorithm   IN VARCHAR2);
```

Parameters

Table 12-62 UPDATE_MAC_POLICY

Parameter	Description
policy_name	Name of an existing policy. To find existing policies in the current database instance, query the <code>DVSYS.DBA_DV_MAC_POLICY</code> view, described in " DBA_DV_MAC_POLICY View " on page 11-17.
algorithm	Merge algorithm for cases when Oracle Label Security has merged two labels. See Table 12-57 on page 12-45 for listing of the available algorithms. For more information on label-merging algorithms, see <i>Oracle Label Security Administrator's Guide</i> .

Example

```
BEGIN
  DBMS_MACADM.UPDATE_MAC_POLICY(
    policy_name => 'Access Locations',
    algorithm   => 'LUI');
END;
/
```

Using the DBMS_MACSEC_ROLES Package

This chapter contains:

- [About the DBMS_MACSEC_ROLES Package](#)
- [CAN_SET_ROLE Function](#)
- [SET_ROLE Procedure](#)

About the DBMS_MACSEC_ROLES Package

You can modify your applications to use the procedures within the DBMS_MACSEC_ROLES package to check the authorization for a user or to set an Oracle Database Vault secure application role. The DBMS_MACSEC_ROLES package is available to all users.

[Chapter 8, "Configuring Secure Application Roles for Oracle Database Vault"](#) describes secure application roles in detail. See also [Chapter 14, "Using the DBMS_MACUTL Package"](#) for a set of general-purpose utility procedures that you can use with the secure application role procedures.

[Table 13–1](#) lists the DBMS_MACSEC_ROLES package function and procedure.

Table 13–1 DBMS_MACSEC_ROLES Oracle Label Security Configuration Procedures

Function or Procedure	Description
CAN_SET_ROLE Function	Checks whether the user invoking the method is authorized to use the specified Oracle Database Vault secure application role. Returns a BOOLEAN value.
SET_ROLE Procedure	Issues the SET ROLE statement for an Oracle Database Vault secure application role.

CAN_SET_ROLE Function

The CAN_SET_ROLE function checks whether the user invoking the method is authorized to use the specified Oracle Database Vault secure application role.

Syntax

```
DBMS_MACSEC_ROLES.CAN_SET_ROLE(
  p_role IN VARCHAR2)
RETURN BOOLEAN;
```

Parameters**Table 13–2 CAN_SET_ROLE Parameter**

Parameter	Description
p_role	Role name. To find existing secure application roles in the current database instance, query the DVSYS.DBA_DV_ROLE view, described in "DBA_DV_ROLE View" on page 11-21.

Example

```

SET SERVEROUTPUT ON
BEGIN
  IF DBMS_MACSEC_ROLES.CAN_SET_ROLE('SECTOR2_APP_MGR')
    THEN DBMS_OUTPUT.PUT_LINE(''SECTOR2_APP_MGR'' can be enabled.');
```

```

  END IF;
END;
/
```

SET_ROLE Procedure

The SET_ROLE procedure issues the SET ROLE PL/SQL statement for an Oracle Database Vault secure application role. If a rule set that is associated with the role evaluates to false, then the role is not set.

Syntax

```

DBMS_MACSEC_ROLES.SET_ROLE(
  p_role IN VARCHAR2);
```

Parameters**Table 13–3 SET_ROLE Parameter**

Parameter	Description
p_role	Role name. To find existing secure application roles in the current database instance, query the DVSYS.DBA_DV_ROLE view, described in "DBA_DV_ROLE View" on page 11-21.

Example

```

EXEC DBMS_MACSEC_ROLES.SET_ROLE('SECTOR2_APP_MGR, APPS_MGR');
```

You can enter the name of the role in any case (for example, Sector2_APP_MGR).

Using the DBMS_MACUTL Package

This chapter contains:

- [About the DBMS_MACUTL Package](#)
- [DBMS_MACUTL Constants](#)
- [Procedures and Functions Within the DBMS_MACUTL Package](#)

About the DBMS_MACUTL Package

The DBMS_MACUTL package provides a set of general purpose utility procedures and functions that you can use throughout the application code you write for Oracle Database Vault. This package is available to all users.

DBMS_MACUTL Constants

This section contains:

- [DBMS_MACUTL Listing of Constants](#)
- [Examples of Using the DBMS_MACUTL Constants](#)

DBMS_MACUTL Listing of Constants

Table 14–1 summarizes constant (that is, fields) descriptions for the DBMS_MACUTL package. You can use these constants with any of the Oracle Database Vault PL/SQL packages. Many of these constants have equivalents in the Oracle Database Vault package. For example, the `enabled` parameter, which is available in several procedures, can accept either `Y` (for Yes) or the constant `G_YES`. Choosing one over the other is a matter of personal preference. They both have the same result.

Table 14–1 DBMS_MACUTL Listing of Constants

Constant Name	Data Type	Description
G_ALL_OBJECT	VARCHAR2 (1)	Used with the realm API <code>object_name</code> and <code>object_type</code> parameters as a wildcard to indicate all object names or all object types.
G_AUDIT_ALWAYS	NUMBER	Used with the factor API <code>audit_options</code> parameter to enable an audit.
G_AUDIT_OFF	NUMBER	Used with the factor API <code>audit_options</code> parameter to disable auditing.

Table 14–1 (Cont.) DBMS_MACUTL Listing of Constants

Constant Name	Data Type	Description
G_AUDIT_ON_GET_ERROR	NUMBER	Used with the factor API <code>audit_options</code> parameter to audit if the expression specified in the <code>get_expr</code> parameter returns an error.
G_AUDIT_ON_GET_NULL	NUMBER	Used with the factor API <code>audit_options</code> parameter to audit if the expression in the <code>get_expr</code> field is null.
G_AUDIT_ON_TRUST_LEVEL_NEG	NUMBER	Used with the factor API <code>audit_options</code> parameter to audit if the trust level is negative.
G_AUDIT_ON_TRUST_LEVEL_NULL	NUMBER	Used with the factor API <code>audit_options</code> parameter to audit if no trust level exists.
G_AUDIT_ON_VALIDATE_ERROR	NUMBER	Used with the factor API <code>audit_options</code> parameter to audit if the validation function returns an error.
G_AUDIT_ON_VALIDATE_FALSE	NUMBER	Used with the factor API <code>audit_options</code> parameter to audit if validation function is false.
G_EVAL_ON_ACCESS	NUMBER	Used with the factor API <code>eval_options</code> parameter to reevaluate the factor each time it is accessed.
G_EVAL_ON_SESSION	NUMBER	Used with the factor API <code>eval_options</code> parameter to evaluate the factor only once, when the user logs in to the session.
G_FAIL_SILENTLY	NUMBER	Used with the <code>fail_options</code> parameter to fail and show no error message.
G_FAIL_WITH_MESSAGE	NUMBER	Used with the <code>fail_options</code> parameter to fail and show an error message.
G_IDENTIFY_BY_CONSTANT	NUMBER	Used with the factor API <code>identify_by</code> parameter: Fixed value in PL/SQL expression defined in the <code>get_expr</code> parameter.
G_IDENTIFY_BY_CONTEXT	NUMBER	Used with the factor API <code>identify_by</code> parameter to indicate context.
G_IDENTIFY_BY_FACTOR	NUMBER	Used with the factor API <code>identify_by</code> parameter for subfactors through the <code>factor_link\$</code> table.
G_IDENTIFY_BY_METHOD	NUMBER	Used with the factor API <code>identify_by</code> parameter: Expression in <code>get_expr</code> field
G_IDENTIFY_BY_RULESET	NUMBER	Used with the factor API <code>identify_by</code> parameter: Expression and Rule Set with the <code>factor_expr\$</code> table
G_LABELED_BY_FACTORS	NUMBER	Used with the factor API <code>labeled_by</code> parameter to derive the label from subfactor and merge algorithm.

Table 14–1 (Cont.) DBMS_MACUTL Listing of Constants

Constant Name	Data Type	Description
G_LABELED_BY_SELF	NUMBER	Used with the factor API <code>labeled_by</code> parameter to label the factor identities.
G_MAX_SESSION_LABEL	VARCHAR2 (30)	This is the highest label a user could set based on the factors. It does not consider the label for a user.
G_MIN_POLICY_LABEL	VARCHAR2 (30)	The label to which a factor with a null label defaults.
G_NO	VARCHAR2 (1)	Used with the following APIs: <ul style="list-style-type: none"> ■ The factor API <code>label_indicator</code> parameter to indicate that a child factor linked to a parent factor does not contribute to the label of the parent factor in an Oracle Label Security integration. ■ Any API that uses the <code>enabled</code> parameter.
G_OLS_SESSION_LABEL	VARCHAR2 (30)	The Oracle Label Security session label for a user at the time <code>init_session</code> is run.
G_REALM_AUDIT_FAIL	NUMBER	Used with the realm API <code>audit_options</code> parameter to audit when the realm is violated.
G_REALM_AUDIT_OFF	NUMBER	Used with the realm API <code>audit_options</code> parameter to disable auditing.
G_REALM_AUDIT_SUCCESS	NUMBER	Used with the realm API <code>audit_options</code> parameter: Audit on successful realm access
G_REALM_AUTH_OWNER	NUMBER	Used with the realm API <code>auth_options</code> parameter to set the realm authorization to Owner.
G_REALM_AUTH_PARTICIPANT	NUMBER	Used with the realm API <code>auth_options</code> parameter to set the realm authorization to Participant.
G_RULESET_AUDIT_FAIL	NUMBER	Used with the rule set API <code>audit_options</code> parameter to audit on rule set failure.
G_RULESET_AUDIT_OFF	NUMBER	Used with the rule set API <code>audit_options</code> parameter to disable auditing.
G_RULESET_AUDIT_SUCCESS	NUMBER	Used with the rule set API <code>audit_options</code> parameter to audit on rule set success.
G_RULESET_EVAL_ALL	NUMBER	Used with the rule set API <code>eval_options</code> parameter to enable the rule set to succeed if all rules evaluate to true.
G_RULESET_EVAL_ANY	NUMBER	Used with the rule set API <code>eval_options</code> parameter to succeed if any of the rules evaluate to true.

Table 14–1 (Cont.) DBMS_MACUTL Listing of Constants

Constant Name	Data Type	Description
G_RULESET_FAIL_SHOW	NUMBER	Used with the rule set API <code>fail_options</code> parameter to show an error message if the rule set fails.
G_RULESET_FAIL_SILENT	NUMBER	Used with the rule set API <code>fail_options</code> parameter to not show an error message if the rule set fails.
G_RULESET_HANDLER_FAIL	NUMBER	Used with the rule set API <code>handler_options</code> parameter to call a handler (specified by the <code>handler</code> parameter) if the rule set fails.
G_RULESET_HANDLER_OFF	NUMBER	Used with the rule set API <code>handler_options</code> parameter to disable calls to a handler or if no handler is used.
G_RULESET_HANDLER_SUCCESS	NUMBER	Used with the rule set API <code>handler_options</code> parameter to call a handler if the rule set succeeds.
G_USER_POLICY_LABEL	VARCHAR2 (30)	This is what Oracle Label Security has decided the user's label should be set to after factoring in the preceding values.
G_YES	VARCHAR2 (1)	Used with the following APIs: <ul style="list-style-type: none"> ■ The factor API <code>label_indicator</code> parameter to indicate that a child factor linked to a parent factor contributes to the label of the parent factor in an Oracle Label Security integration. ■ Any API that uses the <code>enabled</code> parameter.

Examples of Using the DBMS_MACUTL Constants

[Example 14–1](#) shows how to use the `G_YES` and `G_REALM_AUDIT_FAIL` DBMS_MACUTL constants when creating a realm.

Example 14–1 Creating a Realm Using DBMS_MACUTL Constants

```
BEGIN
  DBMS_MACADM.CREATE_REALM(
    realm_name    => 'Performance Statistics Realm',
    description   => 'Realm to measure performance',
    enabled       => DBMS_MACUTL.G_YES,
    audit_options => DBMS_MACUTL.G_REALM_AUDIT_FAIL);
END;
/
```

[Example 14–2](#) shows how to use several DBMS_MACUTL constants when creating a rule set.

Example 14–2 Creating a Rule Set Using DBMS_MACUTL Constants

```
BEGIN
  DBMS_MACADM.CREATE_RULE_SET(
    rule_set_name => 'Limit_DBA_Access',
```



```

description      => 'DBA access through predefined processes',
enabled          => 'Y',
eval_options     => DBMS_MACUTL.G_RULESET_EVAL_ALL,
audit_options    => 0,
fail_options     => DBMS_MACUTL.G_RULESET_FAIL_SHOW,
fail_message     => 'Rule Set Limit_DBA_Access has failed.',
fail_code        => -20000,
handler_options  => DBMS_MACUTL.G_RULESET_HANDLER_FAIL,
handler          => 'dbavowner.email_alert');
END;
/

```

Example 14-3 shows how to use constants when creating a factor.

Example 14-3 Creating a Factor Using DBMS_MACUTL Constants

```

BEGIN
DBMS_MACADM.CREATE_FACTOR(
  factor_name      => 'Sector2_DB',
  factor_type_name => 'Instance',
  description      => ' ',
  rule_set_name    => 'DB_access',
  get_expr         => 'UPPER(SYS_CONTEXT(''USERENV'', ''DB_NAME''))',
  validate_expr    => 'dbavowner.check_db_access',
  identify_by      => DBMS_MACUTL.G_IDENTIFY_BY_FACTOR,
  labeled_by       => DBMS_MACUTL.G_LABELED_BY_SELF,
  eval_options     => DBMS_MACUTL.G_EVAL_ON_SESSION,
  audit_options    => 0,
  fail_options     => DBMS_MACUTL.G_FAIL_SILENTLY);
END;
/

```

Procedures and Functions Within the DBMS_MACUTL Package

Table 14-2 lists the procedures and functions in the DBMS_MACUTL package. You can use these procedures or functions as standalone code, or within rule expressions. The examples in this section show a mixture of using both.

Table 14-2 DBMS_MACUTL Utility Functions

Procedure or Function	Descriptions
CHECK_DVSYSDML_ALLOWED Procedure	Verifies that public-packages are not being bypassed by users updating the Oracle Database Vault configuration
GET_CODE_VALUE Function	Looks up the value for a code within a code group
GET_SECOND Function	Returns the seconds in Oracle SS format (00-59). Useful for rule expressions based on time data
GET_MINUTE Function	Returns the minute in Oracle MI format (00-59). Useful for rule expressions based on time data
GET_HOUR Function	Returns the month in Oracle HH24 format (00-23). Useful for rule expressions based on time data
GET_DAY Function	Returns the day in Oracle DD format (01-31). Useful for rule expressions based on time data
GET_MONTH Function	Returns the month in Oracle MM format (01-12). Useful for rule expressions based on time data
GET_YEAR Function	Returns the year in Oracle YYYY format (0001-9999). Useful for rule expressions based on time data

Table 14–2 (Cont.) DBMS_MACUTL Utility Functions

Procedure or Function	Descriptions
IS_ALPHA Function	Checks whether the character is alphabetic
IS_DIGIT Function	Checks whether the character is numeric
IS_DVSYSD_OWNER Function	Determines whether a user is authorized to manage the Oracle Database Vault configuration
IS_OLS_INSTALLED Function	Returns an indicator regarding whether Oracle Label Security is installed
IS_OLS_INSTALLED_VARCHAR Function	Returns an indicator regarding whether Oracle Label Security is installed
USER_HAS_OBJECT_PRIVILEGE Function	Checks whether a user or role may access an object through an object privilege grant
USER_HAS_ROLE Function	Checks whether a user has a role privilege, directly or indirectly (through another role)
USER_HAS_ROLE_VARCHAR Function	Checks whether a user has a role privilege, directly or indirectly (through another role)
USER_HAS_SYSTEM_PRIVILEGE Function	Checks whether a user has a system privilege, directly or indirectly (through a role)

CHECK_DVSYSD_DML_ALLOWED Procedure

The CHECK_DVSYSD_DML_ALLOWED procedure verifies that public packages are not being bypassed by users updating the Oracle Database Vault configuration.

Syntax

```
DBMS_MACUTL.CHECK_DVSYSD_DML_ALLOWED (
    p_user IN VARCHAR2 DEFAULT USER);
```

Parameter

Table 14–3 CHECK_DVSYSD_DML_ALLOWED Parameter

Parameter	Description
p_user	User performing the operation. To find existing users in the current database instance, query the following views: <ul style="list-style-type: none"> ■ DBA_USERS: Finds available users for the current database instance. See <i>Oracle Database Reference</i>. ■ DVSYSD.DBA_DV_REALM_AUTH: Finds the authorization of a particular user or role. See "DBA_DV_REALM_AUTH View" on page 11-20. ■ DVSYSD.DBA_DV_ROLE: Finds existing secure application roles used in privilege management. See "DBA_DV_ROLE View" on page 11-21.

Example

User SYSTEM fails the check:

```
EXEC DBMS_MACUTL.CHECK_DVSYSD_DML_ALLOWED('system');
```

```
ERROR at line 1:
ORA-47920: Authorization failed for user system to perform this operation
ORA-06512: at "DBMS_MACUTL", line 23
ORA-06512: at "DBMS_MACUTL", line 372
```

```
ORA-06512: at "DBMS_MACUTL", line 508
ORA-06512: at "DBMS_MACUTL", line 572
ORA-06512: at line 1
```

User lbrown_dvowner, who has the DV_OWNER role, passes the check:

```
EXEC DBMS_MACUTL.CHECK_DVSYSDML_ALLOWED('lbrown_dvowner');
```

PL/SQL procedure successfully completed.

GET_CODE_VALUE Function

The GET_CODE_VALUE function finds the value for a code within a code group, and then returns a VARCHAR2 value.

Syntax

```
DBMS_MACUTL.GET_CODE_VALUE(
  p_code_group IN VARCHAR2,
  p_code       IN VARCHAR2)
RETURN VARCHAR2;
```

Parameters

Table 14–4 GET_CODE_VALUE Parameters

Parameter	Description
p_code_group	Code group (for example, AUDIT_EVENTS or BOOLEAN). To find available code groups in the current database instance, query the DVSYS.DBA_DV_CODE view, described in " DBA_DV_CODE View " on page 11-11.
p_code	ID of the code. This ID is listed when you run the DVSYS.DBA_DV_CODE view.

Example

```
BEGIN
  DBMS_MACADM.CREATE_RULE(
    rule_name => 'Get Label Algorithm for Maximum Level/Union/Null',
    rule_expr => 'DBMS_MACUTL.GET_CODE_VALUE(''LABEL_ALG'', ''HUN'') = ''Union''');
END;
/
```

GET_SECOND Function

The GET_SECOND function returns the seconds in Oracle SS (seconds) format (00–59), and then returns a NUMBER value. It is useful for rule expressions based on time data.

Syntax

```
DBMS_MACUTL.GET_SECOND(
  p_date IN DATE DEFAULT SYSDATE)
RETURN NUMBER;
```

Parameter**Table 14–5** *GET_SECOND Parameter*

Parameter	Description
p_date	Date in SS format (for example: 59). If you do not specify a date, then Oracle Database Vault uses the Oracle Database SYSDATE function to retrieve the current date and time set for the operating system on which the database resides.

Example

```
SET SERVEROUTPUT ON
DECLARE
    seconds number;
BEGIN
    seconds := DBMS_MACUTL.GET_SECOND(TO_DATE('03-APR-2009 6:56 PM',
        'dd-mon-yyyy hh:mi PM'));
    DBMS_OUTPUT.PUT_LINE('Seconds: ' || seconds);
END;
/
```

This example, which uses a fixed date and time, returns the following:

```
Seconds: 56
```

GET_MINUTE Function

The GET_MINUTE function returns the minute in Oracle MI (minute) format (00–59), in a NUMBER value. It is useful for rule expressions based on time data.

Syntax

```
DBMS_MACUTL.GET_MINUTE(
    p_date IN DATE DEFAULT SYSDATE)
RETURN NUMBER;
```

Parameter**Table 14–6** *GET_MINUTE Parameter*

Parameter	Description
p_date	Date in MI format (for example, 30, as in 2:30). If you do not specify a date, then Oracle Database Vault uses the Oracle Database SYSDATE function to retrieve the current date and time set for the operating system on which the database resides.

Example

```
SET SERVEROUTPUT ON
DECLARE
    minute number;
BEGIN
    minute := DBMS_MACUTL.GET_MINUTE(SYSDATE);
    DBMS_OUTPUT.PUT_LINE('Minute: ' || minute);
END;
/
```

Output similar to the following appears:

Minute: 17

GET_HOUR Function

The GET_HOUR function returns the hour in Oracle HH24 (hour) format (00–23), in a NUMBER value. It is useful for rule expressions based on time data.

Syntax

```
DBMS_MACUTL.GET_HOUR(  
  p_date IN DATE DEFAULT SYSDATE)  
RETURN NUMBER;
```

Parameter

Table 14–7 GET_HOUR Parameter

Parameter	Description
p_date	Date in HH24 format (for example, 14 for 2:00 p.m). If you do not specify a date, then Oracle Database Vault uses the Oracle Database SYSDATE function to retrieve the current date and time set for the operating system on which the database resides.

Example

```
SET SERVEROUTPUT ON  
DECLARE  
  hours number;  
BEGIN  
  hours := DBMS_MACUTL.GET_HOUR(SYSDATE);  
  DBMS_OUTPUT.PUT_LINE('Hour: ' || hours);  
END;  
/
```

Output similar to the following appears:

Hour: 12

GET_DAY Function

The GET_DAY function returns the day in Oracle DD (day) format (01–31), in a NUMBER value. It is useful for rule expressions based on time data.

Syntax

```
DBMS_MACUTL.GET_DAY(  
  p_date IN DATE DEFAULT SYSDATE)  
RETURN NUMBER;
```

Parameter

Table 14–8 GET_DAY Parameter

Parameter	Description
p_date	Date in DD format (for example, 01 for the first day of the month). If you do not specify a date, then Oracle Database Vault uses the Oracle Database SYSDATE function to retrieve the current date and time set for the operating system on which the database resides.

Example

```
SET SERVEROUTPUT ON
DECLARE
    day number;
BEGIN
    day := DBMS_MACUTL.GET_DAY(SYSDATE);
    DBMS_OUTPUT.PUT_LINE('Day: ' || day);
END;
/
```

Output similar to the following appears:

```
Day: 3
```

GET_MONTH Function

The GET_MONTH function returns the month in Oracle MM (month) format (01–12), in a NUMBER value. It is useful for rule expressions based on time data.

Syntax

```
DBMS_MACUTL.GET_MONTH(
    p_date IN DATE DEFAULT SYSDATE)
RETURN NUMBER;
```

Parameter

Table 14–9 GET_MONTH Parameter

Parameter	Description
p_date	Date in MM format (for example, 08 for the month of August). If you do not specify a date, then Oracle Database Vault uses the Oracle Database SYSDATE function to retrieve the current date and time set for the operating system on which the database resides.

Example

```
SET SERVEROUTPUT ON
DECLARE
    month number;
BEGIN
    month := DBMS_MACUTL.GET_MONTH(SYSDATE);
    DBMS_OUTPUT.PUT_LINE('Month: ' || month);
END;
/
```

Output similar to the following appears:

```
Month: 4
```

GET_YEAR Function

The GET_YEAR function returns the year in Oracle YYYY (year) format (0001–9999), in a NUMBER value. It is useful for rule expressions based on time data.

Syntax

```
DBMS_MACUTL.GET_YEAR(
    p_date IN DATE DEFAULT SYSDATE)
RETURN NUMBER;
```

Parameter**Table 14–10** *GET_YEAR Parameter*

Parameter	Description
p_date	Date in YYYY format (for example, 1984). If you do not specify a date, then Oracle Database Vault uses the SYSDATE function to retrieve the current date and time set for the operating system on which the database resides.

Example

```
SET SERVEROUTPUT ON
DECLARE
    year number;
BEGIN
    year := DBMS_MACUTL.GET_YEAR(SYSDATE);
    DBMS_OUTPUT.PUT_LINE('Year: ' || year);
END;
/
```

IS_ALPHA Function

The IS_ALPHA function checks whether the character is alphabetic, and then returns a BOOLEAN value. IS_ALPHA returns TRUE if the character is alphabetic.

Syntax

```
DBMS_MACUTL.IS_ALPHA(
    c IN VARCHAR2)
RETURN BOOLEAN;
```

Parameter**Table 14–11** *IS_ALPHA Parameter*

Parameter	Description
c	String with one character

Example

```
SET SERVEROUTPUT ON
BEGIN
    IF DBMS_MACUTL.IS_ALPHA('z')
    THEN DBMS_OUTPUT.PUT_LINE('The alphabetic character was found');
    ELSE
    DBMS_OUTPUT.PUT_LINE('No alphabetic characters today.');
```

```
END IF;
END;
/
```

IS_DIGIT Function

The IS_DIGIT function checks whether the character is numeric, and then returns a BOOLEAN value. IS_DIGIT returns TRUE if the character is a digit.

Syntax

```
DBMS_MACUTL.IS_DIGIT(
    c IN VARCHAR2)
```

```
RETURN BOOLEAN;
```

Parameter

Table 14–12 IS_DIGIT Parameter

Parameter	Description
c	String with one character

Example

```
SET SERVEROUTPUT ON
BEGIN
  IF DBMS_MACUTL.IS_DIGIT('7')
    THEN DBMS_OUTPUT.PUT_LINE('The numeric character was found');
  ELSE
    DBMS_OUTPUT.PUT_LINE('No numeric characters today.');
```

```
END IF;
```

```
END;
```

```
/
```

IS_DVSY_OWNER Function

The `IS_DVSY_OWNER` function determines whether a user is authorized to manage the Oracle Database Vault configuration, and then returns a `BOOLEAN` value. `IS_DVSY_OWNER` returns `TRUE` if the user is authorized.

Syntax

```
DBMS_MACUTL.IS_DVSY_OWNER(
  p_user IN VARCHAR2 DEFAULT USER)
RETURN BOOLEAN;
```

Parameter

Table 14–13 IS_DVSY_OWNER Parameter

Parameter	Description
p_user	User to check. To find existing users, query the following views: <ul style="list-style-type: none"> ■ <code>DBA_USERS</code>: Finds available users for the current database instance. See <i>Oracle Database Reference</i>. ■ <code>DVSY.DBA_DV_REALM_AUTH</code>: Finds the authorization of a particular user or role. See "DBA_DV_REALM_AUTH View" on page 11-20. ■ <code>DVSY.DBA_DV_ROLE</code>: Finds existing secure application roles used in privilege management. See "DBA_DV_ROLE View" on page 11-21.

Example

```
SET SERVEROUTPUT ON
BEGIN
  IF DBMS_MACUTL.IS_DVSY_OWNER('PSMITH')
    THEN DBMS_OUTPUT.PUT_LINE('PSMITH is authorized to manage Database Vault.');
```

```
ELSE
```

```
  DBMS_OUTPUT.PUT_LINE('PSMITH is not authorized to manage Database Vault.');
```

```
END IF;
```

```
END;
```

```
/
```


IS_OLS_INSTALLED Function

The IS_OLS_INSTALLED function returns an indicator regarding whether Oracle Label Security is installed, and then returns a TRUE or FALSE BOOLEAN value. If Oracle Label Security is installed, IS_OLS_INSTALLED returns TRUE.

Syntax

```
DBMS_MACUTL.IS_OLS_INSTALLED()
RETURN BOOLEAN;
```

Parameters

None.

Example

```
SET SERVEROUTPUT ON
BEGIN
  IF DBMS_MACUTL.IS_OLS_INSTALLED()
    THEN DBMS_OUTPUT.PUT_LINE('OLS is installed');
  ELSE
    DBMS_OUTPUT.PUT_LINE('OLS is not installed');
  END IF;
END;
/
```

IS_OLS_INSTALLED_VARCHAR Function

The IS_OLS_INSTALLED_VARCHAR function returns an indicator regarding whether Oracle Label Security is installed, and then returns a Y or N VARCHAR2 value. If Oracle Label Security is installed, then IS_OLS_INSTALLED_VARCHAR returns Y.

Syntax

```
DBMS_MACUTL.IS_OLS_INSTALLED_VARCHAR()
RETURN VARCHAR2;
```

Parameters

None.

Example

See "[IS_OLS_INSTALLED Function](#)" on page 14-13 for an example.

USER_HAS_OBJECT_PRIVILEGE Function

The USER_HAS_OBJECT_PRIVILEGE function checks whether a user or role may access an object through an object privilege grant, and then returns a BOOLEAN value. If the user or role has object privileges, then USER_HAS_OBJECT_PRIVILEGE returns TRUE.

Syntax

```
DBMS_MACUTL.USER_HAS_OBJECT_PRIVILEGE (
  p_user          IN VARCHAR2,
  p_object_owner  IN VARCHAR2,
  p_object_name   IN VARCHAR2,
  p_privilege     IN VARCHAR2)
RETURN BOOLEAN;
```

Parameters

Table 14–14 *USER_HAS_OBJECT_PRIVILEGE Parameters*

Parameter	Description
p_user	<p>User or role to check.</p> <p>To find existing users, query the following views:</p> <ul style="list-style-type: none"> ■ DBA_USERS: Finds available users for the current database instance. See <i>Oracle Database Reference</i>. ■ DBA_ROLES: Finds available roles in the current database instance. See <i>Oracle Database Reference</i>. ■ DVSYS.DBA_REALM_AUTH: Finds the authorization of a particular user or role. See "DBA_DV_REALM_AUTH View" on page 11-20. ■ DVSYS.DBA_DV_ROLE: Finds existing secure application roles used in privilege management. See "DBA_DV_ROLE View" on page 11-21.
p_object_owner	<p>Object owner.</p> <p>To find the available users, query the DBA_USERS view, described in <i>Oracle Database Reference</i>.</p> <p>To find the authorization of a particular user, query the DVSYS.DBA_REALM_AUTH view, described in "DBA_DV_REALM_AUTH View" on page 11-20.</p>
p_object_name	<p>Object name.</p> <p>To find the available objects, query the ALL_OBJECTS view, described in <i>Oracle Database Reference</i>.</p> <p>To find objects that are secured by existing realms, query the DVSYS.DBA_DV_REALM_OBJECT view, described in "DBA_DV_REALM_OBJECT View" on page 11-21.</p>
p_privilege	<p>Object privilege (for example, SELECT, UPDATE, INSERT, and so on).</p> <p>To find privileges for a database account excluding PUBLIC privileges, query the DVSYS.DBA_DV_USER_PRIVS view, described in "DBA_DV_USER_PRIVS View" on page 11-24.</p> <p>To find all privileges for a database account, use DVSYS.DBA_DV_USER_PRIVS_ALL, described in "DBA_DV_USER_PRIVS_ALL View" on page 11-25.</p>

Example

```

SET SERVEROUTPUT ON
BEGIN
  IF DBMS_MACUTL.USER_HAS_OBJECT_PRIVILEGE (
    'SECTOR2_APP_MGR', 'OE', 'ORDERS', 'SELECT, UPDATE')
  THEN DBMS_OUTPUT.PUT_LINE('SECTOR2_APP_MGR has privileges. ');
  ELSE
    DBMS_OUTPUT.PUT_LINE('SECTOR2_APP_MGR does not have privileges. ');
  END IF;
END;
/

```

USER_HAS_ROLE Function

The USER_HAS_ROLE function checks whether a user has a role privilege, directly or indirectly (through another role), and then returns a BOOLEAN value. If the user has a role privilege, then USER_HAS_ROLE returns TRUE.

Syntax

```
DBMS_MACUTL.USER_HAS_ROLE(
  p_role IN VARCHAR2,
  p_user IN VARCHAR2 DEFAULT USER)
RETURN BOOLEAN;
```

Parameters**Table 14–15 USER_HAS_ROLE Parameters**

Parameter	Description
p_role	<p>Role privilege to check.</p> <p>To find existing roles, query the following views:</p> <ul style="list-style-type: none"> ▪ DBA_ROLES: Finds available roles in the current database instance. See <i>Oracle Database Reference</i>. ▪ DVSYS.DBA_REALM_AUTH: Finds the authorization of a particular user or role. See "DBA_DV_REALM_AUTH View" on page 11-20. ▪ DVSYS.DBA_DV_ROLE: Finds existing secure application roles used in privilege management. See "DBA_DV_ROLE View" on page 11-21.
p_user	<p>User to check.</p> <p>To find existing users, query the following views:</p> <ul style="list-style-type: none"> ▪ DBA_USERS: Finds available users for the current database instance. See <i>Oracle Database Reference</i>. ▪ DVSYS.DBA_REALM_AUTH: Finds the authorization of a particular user or role. See "Oracle Database Vault Data Dictionary Views" on page 11-10.

Example

```
SET SERVEROUTPUT ON
BEGIN
  IF DBMS_MACUTL.USER_HAS_ROLE('SECTOR2_APP_MGR', 'PSMITH')
  THEN DBMS_OUTPUT.PUT_LINE('User PSMITH has the SECTOR2_APP_MGR role');
  ELSE
  DBMS_OUTPUT.PUT_LINE('User PSMITH does not have the SECTOR2_APP_MGR role.');
```

```
END IF;
END;
```

USER_HAS_ROLE_VARCHAR Function

The USER_HAS_ROLE_VARCHAR function checks whether a user has a role privilege, directly or indirectly (through another role), and then returns a VARCHAR2 value. If the user has the role privilege specified, then USER_HAS_ROLE_VARCHAR returns Y.

Syntax

```
DBMS_MACUTL.USER_HAS_ROLE_VARCHAR(
  p_role IN VARCHAR2,
  p_user IN VARCHAR2 DEFAULT USER)
RETURN VARCHAR2;
```

Parameters

Table 14–16 *USER_HAS_ROLE_VARCHAR Parameters*

Parameter	Description
p_role	<p>Role to check.</p> <p>To find existing roles, query the following views:</p> <ul style="list-style-type: none"> DBA_ROLES: Finds available roles in the current database instance. See <i>Oracle Database Reference</i>. DVSYS.DBA_REALM_AUTH: Finds the authorization of a particular user or role. See "DBA_DV_REALM_AUTH View" on page 11-20. DVSYS.DBA_DV_ROLE: Finds existing secure application roles used in privilege management. See "DBA_DV_ROLE View" on page 11-21.
p_user	<p>User to check.</p> <p>To find existing users, query the following views:</p> <ul style="list-style-type: none"> DBA_USERS: Finds available users for the current database instance. See <i>Oracle Database Reference</i>. DVSYS.DBA_REALM_AUTH: Finds the authorization of a particular user or role. See "DBA_DV_REALM_AUTH View" on page 11-20.

USER_HAS_SYSTEM_PRIVILEGE Function

The USER_HAS_SYSTEM_PRIVILEGE function checks whether a user has a system privilege, directly or indirectly (through a role), and then returns a BOOLEAN value. If the user has the system privilege specified, then USER_HAS_SYSTEM_PRIVILEGE returns TRUE.

Syntax

```
DBMS_MACUTL.USER_HAS_SYSTEM_PRIVILEGE (
  p_privilege IN VARCHAR2,
  p_user      IN VARCHAR2 DEFAULT USER)
RETURN BOOLEAN;
```

Parameters

Table 14–17 *USER_HAS_SYSTEM_PRIVILEGE Parameters*

Parameter	Description
p_privilege	<p>System privilege to check for.</p> <p>To find privileges for a database account excluding PUBLIC privileges, query the DVSYS.DBA_DV_USER_PRIVS view, described in "DBA_DV_USER_PRIVS View" on page 11-24.</p> <p>To find all privileges for a database account, use DVSYS.DBA_DV_USER_PRIVS_ALL, described in "DBA_DV_USER_PRIVS_ALL View" on page 11-25.</p>
p_user	<p>User to check.</p> <p>To find existing users, query the following views:</p> <ul style="list-style-type: none"> DBA_USERS: Finds available users for the current database instance. See <i>Oracle Database Reference</i>. DVSYS.DBA_REALM_AUTH: Finds the authorization of a particular user or role. See "DBA_DV_REALM_AUTH View" on page 11-20.

Example

```
SET SERVEROUTPUT ON
BEGIN
  IF DBMS_MACUTL.USER_HAS_SYSTEM_PRIVILEGE('EXECUTE', 'PSMITH')
    THEN DBMS_OUTPUT.PUT_LINE('User PSMITH has the EXECUTE ANY PRIVILEGE
privilege.');
```

```
    ELSE
      DBMS_OUTPUT.PUT_LINE('User PSMITH does not have the EXECUTE ANY PRIVILEGE
privilege.');
```

```
    END IF;
END;
/
```

Using the Oracle Database Vault PL/SQL Interfaces

This chapter contains:

- [Oracle Database Vault Run-Time PL/SQL Procedures and Functions](#)
- [Oracle Database Vault PL/SQL Factor Functions](#)
- [Oracle Database Vault PL/SQL Rule Functions](#)
- [Oracle Database Vault PL/SQL Packages](#)

Oracle Database Vault Run-Time PL/SQL Procedures and Functions

Oracle Database Vault provides a set of procedural interfaces to administer various Database Vault security options and manage Database Vault security enforcements. There are also procedures and functions that expose the logic to validate a DDL command for realm violations and command authorizations. Additional procedures and functions are provided to set the value of a factor (assuming their associated rule sets evaluate to true) (for example, from a Web application) to retrieve the trust level for a session or specific factor identity, and to get the label for a factor identity. These procedures and functions are provided so that a database administrator does not grant the EXECUTE privilege on all DVSYS package procedures to the general database account population. The procedures and functions expose only the minimum methods that are required. All of these functions and procedures are publicly available for applications that need them.

[Table 15–1](#) lists the default run-time PL/SQL procedures and functions.

Table 15–1 DVSYS Functions

Procedure or Function	Parameter
SET_FACTOR Procedure	Sets a factor
GET_FACTOR Function	Retrieves a factor
GET_TRUST_LEVEL Function	Retrieves the trust level assigned to a factor
GET_TRUST_LEVEL_FOR_IDENTITY Function	Retrieves the trust level for a specified factor and an identity
ROLE_IS_ENABLED Function	Checks whether the specified database role is enabled
GET_FACTOR_LABEL Function	Retrieves the label for the specified factor when the factor has a label assigned to it for the specified Oracle Label Security policy

SET_FACTOR Procedure

The `SET_FACTOR` procedure can be exposed to an application that requires the ability to set factor identities dynamically. It wraps the package procedure `DBMS_MACADM.SET_FACTOR`. When a factor has a rule set associated with it for assignment and if the rule set returns true, then the value is set. Normal rule set handling occurs, and the factor value (identity) validation method is called. This procedure is available (to execute) to the general database account population.

Syntax

```
DVSYS.SET_FACTOR(
  p_factor IN VARCHAR2,
  p_value  IN VARCHAR2);
```

Parameters

Table 15–2 SET_FACTOR Parameters

Parameter	Description
<code>p_factor</code>	Factor name. To find existing factors in the current database instance, query the <code>DVSYS.DBA_DV_FACTOR</code> view, described in " DBA_DV_FACTOR View " on page 11-13.
<code>p_value</code>	Identity value, up to 1024 characters in mixed case. To find the identities for each factor in the current database instance, query the <code>DVSYS.DBA_DV_IDENTITY</code> view, described in " DBA_DV_IDENTITY View " on page 11-16.

Example

```
EXECUTE DVSYS.SET_FACTOR('Sector2_ClientID', 'identity');
```

GET_FACTOR Function

The `GET_FACTOR` function is exposed to the `DVF` schema to allow the public factor functions to resolve the identity of a factor. This enables the `F$` functions in the `DVF` schema. This function is available (to execute) to the general database account population.

Syntax

```
DVSYS.GET_FACTOR(
  p_factor IN VARCHAR2)
RETURN VARCHAR2;
```

Parameter

Table 15–3 GET_FACTOR Parameter

Parameter	Description
<code>p_factor</code>	Factor name. To find existing factors in the current database instance, query the <code>DVSYS.DBA_DV_FACTOR</code> view, described in " DBA_DV_FACTOR View " on page 11-13.

Example

```

BEGIN
  DBMS_MACADM.CREATE_RULE(
    rule_name => 'Get Client ID Factor Identity',
    rule_expr => 'DVSYS.GET_FACTOR(''Sector2_ClientID'')');
END;
/

```

GET_TRUST_LEVEL Function

The `GET_TRUST_LEVEL` function returns the trust level of the current session identity for the factor requested. This function is available (to execute) to the general database account population. See ["Creating and Configuring a Factor Identity"](#) on page 7-10 for a listing of the available trust levels.

Syntax

```

DVSYS.GET_TRUST_LEVEL(
  p_factor IN VARCHAR2)
RETURN VARCHAR2;

```

Parameter**Table 15–4** *GET_TRUST_LEVEL Parameter*

Parameter	Description
<code>p_factor</code>	Factor name. To find existing factors in the current database instance, query the <code>DVSYS.DBA_DV_FACTOR</code> view, described in "DBA_DV_FACTOR View" on page 11-13.

Example

```

BEGIN
  DBMS_MACADM.CREATE_RULE(
    rule_name => 'Get Client ID Trust Level',
    rule_expr => 'DVSYS.GET_TRUST_LEVEL(''Sector2_ClientID'')');
END;
/

```

GET_TRUST_LEVEL_FOR_IDENTITY Function

The `GET_TRUST_LEVEL_FOR_IDENTITY` function returns the trust level for the factor and identity requested. This function is available (to execute) to the general database account population. See ["Creating and Configuring a Factor Identity"](#) on page 7-10 for a listing of the available trust levels.

Syntax

```

DVSYS.GET_TRUST_LEVEL_FOR_IDENTITY(
  p_factor   IN VARCHAR2,
  p_identity IN VARCHAR2)
RETURN VARCHAR2;

```

Parameters

Table 15–5 GET_TRUST_LEVEL_FOR_IDENTITY Parameters

Parameter	Description
p_factor	Factor name. To find existing factors in the current database instance, query the DVSYS.DBA_DV_FACTOR view, described in " DBA_DV_FACTOR View " on page 11-13.
p_identity	Identity value. To find the identities for each factor in the current database instance, query the DVSYS.DBA_DV_IDENTITY view, described in " DBA_DV_IDENTITY View " on page 11-16.

Example

```
BEGIN
  DBMS_MACADM.CREATE_RULE(
    rule_name => 'Get Client ID Identity Trust Level',
    rule_expr => 'DVSYS.GET_TRUST_LEVEL_FOR_IDENTITY(''Sector2_ClientID'',
  'identity'')');
END;
/
```

ROLE_IS_ENABLED Function

The `ROLE_IS_ENABLED` function returns a boolean value that specifies whether a database role has been enabled. This function is available (to execute) to the general database account population.

Syntax

```
DVSYS.ROLE_IS_ENABLED(
  p_role IN VARCHAR2)
RETURN BOOLEAN;
```

Parameter

Table 15–6 ROLE_IS_ENABLED Parameter

Parameter	Description
p_role	Database role name to check. To find existing roles, use the following views: <ul style="list-style-type: none"> ■ <code>DBA_ROLES</code>: Finds available roles in the current database instance. See <i>Oracle Database Reference</i>. ■ <code>DVSYS.DBA_DV_REALM_AUTH</code>: Finds the authorization of a particular role. See "DBA_DV_REALM View" on page 11-20. ■ <code>DVSYS.DBA_DV_ROLE</code>: Finds existing secure application roles used in privilege management. See "DBA_DV_ROLE View" on page 11-21.

Example

```
BEGIN
  DBMS_MACADM.CREATE_RULE(
    rule_name => 'Check if SYSADM Role Is Enabled',
    rule_expr => 'DVSYS.ROLE_IS_ENABLED(''SYSADM'')');
END;
/
```

GET_FACTOR_LABEL Function

The `GET_FACTOR_LABEL` function returns the label for the specified factor when the factor has a label assigned to it for the specified Oracle Label Security policy. The function returns a label that is merged with the maximum session label for the policy if the policy is configured with Oracle Label Security. The function is available (to execute) to the general database population. See ["Label Identity"](#) on page 7-11 for more information about factor labels.

Syntax

```
DVSYS.GET_FACTOR_LABEL(
  p_factor      IN VARCHAR2,
  p_policy_name IN VARCHAR2)
RETURN VARCHAR2;
```

Parameters

Table 15–7 GET_FACTOR_LABEL Parameters

Parameter	Description
<code>p_factor</code>	Factor name. To find the available factors in the current database instance, query the <code>DVSYS.DBA_DV_FACTOR</code> view. To find factors that are associated with Oracle Label Security policies, use <code>DVSYS.DBA_DV_MAC_POLICY_FACTOR</code> . See "DBA_DV_FACTOR View" on page 13 and "DBA_DV_MAC_POLICY_FACTOR View" on page 11-18.
<code>p_policy_name</code>	Oracle Label Security policy name. Use the following views to find information about policies and factors in the current database instance: <ul style="list-style-type: none"> <code>DVSYS.DBA_DV_MAC_POLICY</code>: Lists Oracle Label Security policies defined in the current database instance. See "DBA_DV_MAC_POLICY View" on page 11-17. <code>DVSYS.DBA_DV_MAC_POLICY_FACTOR</code>: Lists the factors that are associated with Oracle Label Security policies for the current database instance. See "DBA_DV_MAC_POLICY_FACTOR View" on page 11-18. <code>DVSYS.DBA_DV_POLICY_LABEL</code>: Lists the Oracle Label Security label for each factor identifier in the <code>DVSYS.DBA_DV_IDENTITY</code> view for each policy. See "DBA_DV_POLICY_LABEL View" on page 11-19.

Example

```
BEGIN
  DBMS_MACADM.CREATE_RULE(
    rule_name => 'Get the ClientID Factor Label',
    rule_expr => 'DVSYS.GET_FACTOR_LABEL(''Sector2_ClientID'', ''Access
Locations'')');
END;
/
```

Oracle Database Vault PL/SQL Factor Functions

In addition to the functions and procedures made available from the `DVSYS` schema, the `DVF` schema contains a single function for each factor defined in the system. Oracle Database Vault maintains these functions when you use the `DBMS_MACADM` PL/SQL package to manage the various factors. The functions are then available to the general

database account population through PL/SQL functions and standard SQL. This enables factors to be used in Oracle Label Security, Oracle Virtual Private Database (VPD), and so on.

Typically, you can incorporate these functions into rule expressions. For example:

```
BEGIN
  DBMS_MACADM.CREATE_RULE(
    rule_name => 'Not Internal DBA',
    rule_expr => 'DVF.F$SESSION_USER NOT IN (''JSMTIH'', ''TBROWN'')');
END;
/
```

To find the value of a factor function, select from the DUAL system table. For example:

```
SELECT DVF.F$SESSION_USER FROM DUAL;

F$SESSION_USER
-----
LBROWN_DVOWNER
```

The name of the factor itself is case-insensitive. For example, the following statements return the same result

```
select dvf.f$session_user from dual;

SELECT DVF.F$SESSION_USER FROM DUAL;
```

Table 15–8 lists the default factor functions.

Table 15–8 Installed Oracle Database Vault Factor Functions

DVF Factor Function	Description
F\$AUTHENTICATION_TYPE Function	Returns the type of authentication used: database, network, operating system, or proxy
F\$CLIENT_IP Function	Returns the IP address and retrieval method for a client to the database server
F\$DATABASE_DOMAIN Function	Returns the domain of the database as specified in the DB_DOMAIN initialization parameter
F\$DATABASE_HOSTNAME Function	Returns the host name and retrieval method for a database
F\$DATABASE_INSTANCE Function	Returns the instance identifier and retrieval method for a database instance
F\$DATABASE_IP Function	Returns the IP address and retrieval method for a database server
F\$DATABASE_NAME Function	Returns the name of the database as specified in the DB_NAME initialization parameter
F\$DOMAIN Function	Returns a named collection of physical, configuration, or implementation-specific factors in the run-time environment (for example, a networked IT environment or subset of it) that operates at a specific sensitivity level.
F\$IDENTIFICATION_TYPE Function	Returns the way the schema of a user was created in the database. Specifically, it reflects the IDENTIFIED clause in the CREATE/ALTER USER syntax.
F\$IDENTIFICATION_TYPE Function	Returns the way the schema of a user was created in the database. Specifically, it reflects the IDENTIFIED clause in the CREATE USER or ALTER USER syntax
F\$LANG Function	Returns the ISO abbreviation for the language name, a shorter form than the existing LANGUAGE parameter

Table 15–8 (Cont.) Installed Oracle Database Vault Factor Functions

DVF Factor Function	Description
F\$LANGUAGE Function	Returns the language and territory currently used by your session, in VARCHAR2 data type, along with the database character set
F\$MACHINE Function	Returns the computer (host) name for the database client that established the database session
F\$NETWORK_PROTOCOL Function	Returns the network protocol being used for communication, as specified in the <code>PROTOCOL=protocol</code> portion of the connect string
F\$PROXY_ENTERPRISE_IDENTITY Function	Returns the Oracle Internet Directory distinguished name (DN) when the proxy user is an enterprise user.
F\$PROXY_ENTERPRISE_IDENTITY Function	Returns the Oracle Internet Directory distinguished name (DN) when the proxy user is an enterprise user
F\$SESSION_USER Function	Returns the database user name by which the current user is authenticated

F\$AUTHENTICATION_TYPE Function

The F\$AUTHENTICATION_TYPE function returns the type of authentication used: database, network, operating system, or proxy.

Syntax

```
DVF.F$AUTHENTICATION_TYPE ()
RETURN VARCHAR2;
```

Parameters

None.

Example

```
BEGIN
  DBMS_MACADM.CREATE_RULE(
    rule_name => 'Check SSL Authentication Type',
    rule_expr => 'DVF.F$AUTHENTICATION_TYPE = ''NETWORK''');
END;
/
```

F\$CLIENT_IP Function

The F\$CLIENT_IP function returns the IP address of the computer from which the client is connected, in VARCHAR2 data type.

Syntax

```
DVF.F$CLIENT_IP ()
RETURN VARCHAR2;
```

Parameters

None.

Example

```
BEGIN
  DBMS_MACADM.CREATE_RULE(
    rule_name => 'Check Client IP Address',
    rule_expr => 'DVF.F$CLIENT_IP BETWEEN ''192.0.2.10'' AND ''192.0.2.20''');
END;
```

/

F\$DATABASE_DOMAIN Function

The F\$DATABASE_DOMAIN function returns the domain of the database as specified in the DB_DOMAIN initialization parameter, in VARCHAR2 data type.

Syntax

```
DVF.F$DATABASE_DOMAIN ()  
RETURN VARCHAR2;
```

Parameters

None.

Example

```
BEGIN  
  DBMS_MACADM.CREATE_RULE(  
    rule_name => 'Check Client Database Domain',  
    rule_expr => 'DVF.F$DATABASE_DOMAIN NOT IN (''EXAMPLE'', ''YOURDOMAIN'')');  
END;  
/
```

F\$DATABASE_HOSTNAME Function

The F\$DATABASE_HOSTNAME function returns the host name of the computer on which the instance is running, in VARCHAR2 data type.

Syntax

```
DVF.F$DATABASE_HOSTNAME ()  
RETURN VARCHAR2;
```

Parameters

None.

Example

```
BEGIN  
  DBMS_MACADM.CREATE_RULE(  
    rule_name => 'Check Host Name',  
    rule_expr => 'DVF.F$DATABASE_HOSTNAME IN (''SHOBEEN'', ''MAU'')');  
END;  
/
```

F\$DATABASE_INSTANCE Function

The F\$DATABASE_INSTANCE function returns the instance identification number of the current database instance, in VARCHAR2 data type.

Syntax

```
DVF.F$DATABASE_INSTANCE ()  
RETURN VARCHAR2;
```

Parameters

None.

Example

```

BEGIN
  DBMS_MACADM.CREATE_RULE(
    rule_name => 'Check Database Instance ID',
    rule_expr => 'DVF.F$DATABASE_INSTANCE = ''SALES_DB''');
END;
/

```

F\$DATABASE_IP Function

The F\$DATABASE_IP function returns the IP address of the computer on which the database instance is running, in VARCHAR2 data type.

Syntax

```

DVF.F$DATABASE_IP ()
RETURN VARCHAR2;

```

Parameters

None.

Example

```

BEGIN
  DBMS_MACADM.CREATE_RULE(
    rule_name => 'Check Database IP address',
    rule_expr => 'DVF.F$DATABASE_IP = ''192.0.2.5''');
END;
/

```

F\$DATABASE_NAME Function

The F\$DATABASE_NAME function returns the name of the database as specified in the DB_NAME initialization parameter, in VARCHAR2 data type.

Syntax

```

DVF.F$DATABASE_NAME ()
RETURN VARCHAR2;

```

Parameters

None.

Example

```

BEGIN
  DBMS_MACADM.CREATE_RULE(
    rule_name => 'Check Database DB_NAME Name',
    rule_expr => 'DVF.F$DATABASE_NAME = ''ORCL''');
END;
/

```

F\$DOMAIN Function

The F\$DOMAIN function returns a named collection of physical, configuration, or implementation-specific factors in the run-time environment (for example, a networked IT environment or subset of it) that operates at a specific sensitivity level. The return type is VARCHAR2.

You can identify a domain using factors such as host name, IP address, and database instance names of the Oracle Database Vault nodes in a secure access path to the database. Each domain can be uniquely determined using a combination of the factor identifiers that identify the domain. You can use these identifying factors and possibly additional factors to define the Maximum Security Label within the domain. This restricts data access and commands, depending on the physical factors about the Oracle Database Vault session. Example domains of interest may be Corporate Sensitive, Internal Public, Partners, and Customers.

Syntax

```
DVF.F$DOMAIN ()  
RETURN VARCHAR2;
```

Parameters

None.

Example

```
BEGIN  
  DBMS_MACADM.CREATE_RULE(  
    rule_name => 'Check Domain',  
    rule_expr => 'DVF.F$DOMAIN = ''EXAMPLE.COM''');  
END;  
/
```

F\$IDENTIFICATION_TYPE Function

The F\$IDENTIFICATION_TYPE function returns the way the schema of a user was created in the database. Specifically, it reflects the IDENTIFIED clause in the CREATE/ALTER USER syntax. The return type is VARCHAR2. In the list that follows, the syntax used during schema creation is followed by the identification type returned:

- IDENTIFIED BY *password*: LOCAL
- IDENTIFIED EXTERNALLY: EXTERNAL
- IDENTIFIED GLOBALLY: GLOBAL SHARED
- IDENTIFIED GLOBALLY AS DN: GLOBAL PRIVATE

Syntax

```
DVF.F$IDENTIFICATION_TYPE ()  
RETURN VARCHAR2;
```

Parameters

None.

Example

```
BEGIN  
  DBMS_MACADM.CREATE_RULE(  
    rule_name => 'Check User Schema Creation Type',  
    rule_expr => 'DVF.F$IDENTIFICATION_TYPE = ''GLOBAL SHARED''');  
END;  
/
```


F\$LANG Function

The F\$LANG function returns the ISO abbreviation for the language name, a shorter form than the existing LANGUAGE parameter, for the session of the user. The return type is VARCHAR2.

See *Oracle Database Globalization Support Guide* for a listing of supported languages for Oracle Database.

Syntax

```
DVF.F$LANG ()
RETURN VARCHAR2;
```

Parameters

None.

Example

```
BEGIN
  DBMS_MACADM.CREATE_RULE(
    rule_name => 'Check ISO Abbreviated Language Name',
    rule_expr => 'DVF.F$LANG IN (''EN'', ''DE'', ''FR'')');
END;
/
```

F\$LANGUAGE Function

The F\$LANGUAGE function returns the language and territory currently used by a user session, in VARCHAR2 data type, along with the database character set, in the following form:

language_territory.characterset

See *Oracle Database Globalization Support Guide* for a listing of supported languages and territories for Oracle Database.

Syntax

```
DVF.F$LANGUAGE ()
RETURN VARCHAR2;
```

Parameters

None.

Example

```
BEGIN
  DBMS_MACADM.CREATE_RULE(
    rule_name => 'Check Session Language and Territory',
    rule_expr => 'DVF.F$LANGUAGE = ''AMERICAN_AMERICA.WE8ISO8859P1''');
END;
/
```

F\$MACHINE Function

The F\$MACHINE function returns the computer (host) name for the database client that established the database session. The return type is VARCHAR2.

Syntax

```
DVF.F$MACHINE ()  
RETURN VARCHAR2;
```

Parameter

None.

Example

```
BEGIN  
  DBMS_MACADM.CREATE_RULE(  
    rule_name => 'Check Client Computer Host Name',  
    rule_expr => 'DVF.F$MACHINE NOT IN (''SHOBEEN'', ''SEBASTIAN'')');  
END;  
/
```

F\$NETWORK_PROTOCOL Function

The `F$NETWORK_PROTOCOL` function returns the network protocol being used for communication, as specified in the `PROTOCOL=protocol` portion of the connect string. The return type is `VARCHAR2`.

Syntax

```
DVF.F$NETWORK_PROTOCOL ()  
RETURN VARCHAR2;
```

Parameters

None.

Example

```
BEGIN  
  DBMS_MACADM.CREATE_RULE(  
    rule_name => 'Check Network Protocol',  
    rule_expr => 'DVF.F$NETWORK_PROTOCOL = ''TCP''');  
END;  
/
```

F\$PROXY_ENTERPRISE_IDENTITY Function

The `F$PROXY_ENTERPRISE_IDENTITY` function returns the Oracle Internet Directory distinguished name (DN) when the proxy user is an enterprise user. The return type is `VARCHAR2`.

Syntax

```
DVF.F$PROXY_ENTERPRISE_IDENTITY ()  
RETURN VARCHAR2;
```

Parameters

None.

Example

```
BEGIN  
  DBMS_MACADM.CREATE_RULE(  
    rule_name => 'Get OID DN of Enterprise User',  
    rule_expr => 'DVF.F$PROXY_ENTERPRISE_IDENTITY = ''cn=Provisioning Admins''');  
END;
```

```
END;
/
```

F\$SESSION_USER Function

The F\$SESSION_USER function returns the database user name by which the current user is authenticated. This value remains the same throughout the session. The return type is VARCHAR2.

Syntax

```
DVF.F$SESSION_USER ()
RETURN VARCHAR2;
```

Parameters

None.

Example

```
BEGIN
  DBMS_MACADM.CREATE_RULE(
    rule_name => 'Check Database User Name',
    rule_expr => 'DVF.F$SESSION_USER IN (''JSMITH'', ''TSMITH'')');
END;
/
```

Oracle Database Vault PL/SQL Rule Functions

Oracle Database Vault provides a set of functions that you can use in rule sets to inspect the SQL statement that you want the rule set to protect. For example, if a rule set protects SELECT ON HR.EMPLOYEES under a command rule, then you could use these functions to make more informed decisions in the rule expression.

Table 15–9 lists the default rule functions.

Table 15–9 Installed Oracle Database Vault PL/SQL Rule Set Functions

Rule Set Function	Description
DV_SYSEVENT Function	Returns the system event firing the rule set
DV_LOGIN_USER Function	Returns the login user name
DV_INSTANCE_NUM Function	Returns the database instance number
DV_DATABASE_NAME Function	Returns the database name
DV_DICT_OBJ_TYPE Function	Returns the type of the dictionary object on which the database operation occurred (for example, table, procedure, view)
DV_DICT_OBJ_OWNER Function	Returns the owner of the dictionary object on which the database operation occurred
DV_DICT_OBJ_NAME Function	Returns the name of the dictionary object on which the database operation occurred
DV_SQL_TEXT Function	Returns the first 4000 characters of SQL text of the database statement used in the operation

DV_SYSEVENT Function

The DV_SYSEVENT function returns the system event firing the rule set, in VARCHAR2 data type. The event name is the same as that in the syntax of the SQL statement (for example, INSERT, CREATE.)

Syntax

```
DVSYS.DV_SYSEVENT ()  
RETURN VARCHAR2;
```

Parameters

None.

Example

```
BEGIN  
  DBMS_MACADM.CREATE_RULE(  
    rule_name => 'Get System Event Firing the Maintenance Rule Set',  
    rule_expr => 'DVSYS.DV_SYSEVENT = ''CREATE''');  
END;  
/
```

DV_LOGIN_USER Function

The DV_LOGIN_USER function returns the login user name, in VARCHAR2 data type.

Syntax

```
DVSYS.DV_LOGIN_USER ()  
RETURN VARCHAR2;
```

Parameters

None.

Example

```
BEGIN  
  DBMS_MACADM.CREATE_RULE(  
    rule_name => 'Check System Login User Name',  
    rule_expr => 'DVSYS.DV_LOGIN_USER = ''SEBASTIAN''');  
END;  
/
```

DV_INSTANCE_NUM Function

The DV_INSTANCE_NUM function returns the database instance number, in NUMBER data type.

Syntax

```
DVSYS.DV_INSTANCE_NUM ()  
RETURN NUMBER;
```

Parameters

None.

Example

```
BEGIN
```

```

DBMS_MACADM.CREATE_RULE(
  rule_name => 'Check Database Instance Number',
  rule_expr => 'DVSYS.DV_INSTANCE_NUM BETWEEN 6 AND 9');
END;
/

```

DV_DATABASE_NAME Function

The DV_DATABASE_NAME function returns the database name, in VARCHAR2 data type.

Syntax

```

DVSYS.DV_DATABASE_NAME ()
RETURN VARCHAR2;

```

Parameters

None.

Example

```

BEGIN
  DBMS_MACADM.CREATE_RULE(
    rule_name => 'Check Database Name',
    rule_expr => 'DVSYS.DV_DATABASE_NAME = ''ORCL''');
END;
/

```

DV_DICT_OBJ_TYPE Function

The DV_DICT_OBJ_TYPE function returns the type of the dictionary object on which the database operation occurred (for example, table, procedure, or view). The return type is VARCHAR2.

Syntax

```

DVSYS.DV_DICT_OBJ_TYPE ()
RETURN VARCHAR2;

```

Parameters

None.

Example

```

BEGIN
  DBMS_MACADM.CREATE_RULE(
    rule_name => 'Check Dictionary Object Type',
    rule_expr => 'DVSYS.DV_DICT_OBJ_TYPE IN (''TABLE'', ''VIEW'')');
END;
/

```

DV_DICT_OBJ_OWNER Function

The DV_DICT_OBJ_OWNER function returns the name of the owner of the dictionary object on which the database operation occurred. The return type is VARCHAR2.

Syntax

```

DVSYS.DV_DICT_OBJ_OWNER ()
RETURN VARCHAR2;

```

Parameters

None.

Example

```
BEGIN
  DBMS_MACADM.CREATE_RULE(
    rule_name => 'Check Dictionary Object Owner',
    rule_expr => 'DVSYS.DV_DICT_OBJ_OWNER = ''JSMITH''');
END;
/
```

DV_DICT_OBJ_NAME Function

The DV_DICT_OBJ_NAME function returns the name of the dictionary object on which the database operation occurred. The return type is VARCHAR2.

Syntax

```
DVSYS.DV_DICT_OBJ_NAME ()
RETURN VARCHAR2;
```

Parameters

None.

Example

```
BEGIN
  DBMS_MACADM.CREATE_RULE(
    rule_name => 'Check Dictionary Object Name',
    rule_expr => 'DVSYS.DV_DICT_OBJ_NAME = ''SALES''');
END;
/
```

DV_SQL_TEXT Function

The DV_SQL_TEXT function returns the first 4000 characters of SQL text of the database statement used in the operation. The return type is VARCHAR2.

Syntax

```
DVSYS.DV_SQL_TEXT ()
RETURN VARCHAR2;
```

Parameters

None.

Example

```
BEGIN
  DBMS_MACADM.CREATE_RULE(
    rule_name => 'Check SQL Text',
    rule_expr => 'DVSYS.DV_SQL_TEXT = ''SELECT SALARY FROM HR.EMPLOYEES''');
END;
/
```

Oracle Database Vault PL/SQL Packages

Oracle Database Vault provides a collection of PL/SQL package APIs to support the maintenance and run-time behavior of Oracle Database Vault. [Table 15–10](#) lists these packages. [Chapter 12, "Using the DBMS_MACADM Package"](#) describes these packages in detail.

Table 15–10 Oracle Database Vault Administrator and Run-Time PL/SQL Packages

Package	Description
DBMS_MACADM	<p>Provides for the administration of all aspects of the secure and access control configuration data. The realm owner of the Oracle Database Vault realm can grant the ability to run this package.</p> <p>See Chapter 12, "Using the DBMS_MACADM Package" for more information.</p>
DBMS_MACSEC_ROLES	<p>Provides the <code>CAN_SET_ROLE</code> method to check whether the user invoking the method is authorized to use the specified Oracle Database Vault secure application role. The authorization is determined by checking the rule set associated with the role.</p> <p>The API also provides a method to issue the <code>SET_ROLE</code> statement for a Oracle Database Vault Secure Application Role. Before <code>SET_ROLE</code> is issued, the <code>CAN_SET_ROLE</code> method is called to check the rule set associated with the role. Run-time rule set behavior such as auditing, failure processing, and event handling occur during this process. The package is available to the general database account population.</p> <p>See Chapter 13, "Using the DBMS_MACSEC_ROLES Package" for more information.</p>
DBMS_MACUTL	<p>Defines several constants and utility methods that are commonly used by other Oracle Database Vault packages, such as code/message lookup, error handling, data conversion, and privilege checks. This package can be run by the general database account population. This allows for security developers to leverage the constants in scripted configuration files. Utility methods such as <code>USER_HAS_ROLE</code> can also be used in Oracle Database Vault rules.</p> <p>See Chapter 14, "Using the DBMS_MACUTL Package" for more information.</p>

Note: There are several procedures in the `DBMS_MACADM` package that are not exposed in the Oracle Database Vault Administration Web application. The procedures that are not exposed include:

- `CREATE_DOMAIN_IDENTITY`
- `CREATE_FACTOR_TYPE`
- `DELETE_FACTOR_TYPE`
- `RENAME_FACTOR_TYPE`
- `UPDATE_FACTOR_TYPE`

Monitoring Oracle Database Vault

This chapter contains:

- [Security Violation Attempts](#)
- [Database Configuration and Structural Changes](#)
- [Security Policy Changes by Category](#)
- [Security Policy Changes Detail](#)

Note: To make the charts used in the Monitor page accessible for to users of assistive technology, see "Enabling Oracle Database Vault Accessibility" in *Oracle Database Vault Installation Guide*.

Security Violation Attempts

You can check for security violations, such as realm or command rule violations. This feature displays data such as the user name of the person committing the violation, the action they committed, and a time stamp of the activity.

Before you can view these events, you must ensure that the `AUDIT_TRAIL` initialization parameter is set to `DB` or `DB, EXTENDED`.

To check for security violations:

1. Log in to Oracle Database Vault Administrator as a user who has been granted the `DV_OWNER`, `DV_ADMIN`, or `DV_SECANALYST` role.
["Starting Oracle Database Vault Administrator"](#) on page 3-1 explains how to log in.
2. In the Administration page, click **Monitor**.
3. At the top of the Monitor page, set a period for the monitoring action by selecting from the **Show Records For** list and clicking **Go**.

This section of the Monitor page also indicates the last time the data on the page was refreshed.

4. In the Monitor page, click **Security Violation Attempts**.

A table appears, listing security policy changes.

▼ Security Violation Attempts

Feb 27, 2007 2:45:00 PM - Mar 6, 2007 2:45:00 PM

⊖ Previous 1-10 of 1000 ▾ Next 10 ⊕

Timestamp	User Name	User Host	Action Name	Return Code	Action Object Name	Rule Set Name	Action Command
Mar 6, 2007 1:20:03 PM	DBSNMP	LOCALHOST	Factor Evaluation Audit	0	Session_User		DVSYS.GET_FACTOR('Session_User')
Mar 6, 2007 1:20:03 PM	DBSNMP	LOCALHOST	Factor Evaluation Audit	-1	Domain		DVSYS.GET_FACTOR(Domain)
Mar 6, 2007 1:19:31 PM	DBV_OWNER	LOCALHOST	Factor Evaluation Audit	-1	Domain		DVSYS.GET_FACTOR(Domain)
Mar 6, 2007 1:19:31 PM	DBV_OWNER	LOCALHOST	Factor Evaluation Audit	0	Session_User		DVSYS.GET_FACTOR('Session_User')

Database Configuration and Structural Changes

You can view structural changes to the database or database schema objects. This feature also audits statements such as CREATE TABLE, ALTER TABLE, DROP TABLE, and ALTER DATABASE. It audits all commands, not just commands that are used in command rules. For example, if someone has unexpectedly altered a table on a production system, you can use this feature to determine what is happening.

Before you can view these events, you must ensure that the AUDIT_TRAIL initialization parameter is set to DB or DB, EXTENDED.

Follow these steps:

1. Log in to Oracle Database Vault Administrator as a user who has been granted the DV_OWNER, DV_ADMIN, or DV_SECANALYST role.

"Starting Oracle Database Vault Administrator" on page 3-1 explains how to log in.

2. In the Administration page, click **Monitor**.
3. At the top of the Monitor page, set a period for the monitoring action by selecting from the **Show Records For** list and clicking **Go**.

This section of the Monitor page also indicates the last time the data on the page was refreshed.

4. In the Monitor page, click **Database Configuration and Structural Changes**.

A table similar to the following appears:

▼ Database Configuration and Structural Changes

Feb 27, 2007 2:54:52 PM - Mar 6, 2007 2:54:52 PM

⊖ Previous 1-10 of 15 ▾ Next 5 ⊕

Timestamp	User Name	User Host	Action Name	Return Code	Owner	Object Name	Comment Text
Mar 6, 2007 1:04:25 PM		localhost	ALTER DATABASE	0			
Mar 6, 2007 10:17:35 AM		localhost	ALTER DATABASE	0			
Mar 2, 2007 6:59:50 PM	DBV_OWNER	localhost	CREATE FUNCTION	0	DVF	F\$MODULE	

Security Policy Changes by Category

You can check the number of policy changes for the categories in the following list. These categories reflect changes to the database security policy (that is, its configuration) in any given environment. If something changes that is security related, you can use the chart and tables to drill down to find unexpected changes that should be investigated.

Before you can view these events, you must ensure that the `AUDIT_TRAIL` initialization parameter is set to `DB` or `DB, EXTENDED`.

- **Database Vault policy:** Shows changes made through the Oracle Database Vault administrative packages or user interface, indicating Oracle Database Vault configuration or policy changes.
- **Label Security policy:** Shows changes made through the Oracle Database Vault administrative packages or user interface, indicating Oracle Label Security policy or privilege changes.
- **Audit Policy:** Shows changes to the database audit policy coming from `AUDIT` or `NOAUDIT` statements.
- **Privilege Grants:** Shows changes to system or object privilege `GRANT` statements.
- **Privilege Revokes:** Shows changes to system or object privilege `REVOKE` statements.
- **Database Account:** Shows changes to `CREATE USER`, `ALTER USER`, or `DROP USER` statements.
- **Database Role:** Shows changes to `CREATE ROLE`, `ALTER ROLE`, or `DROP ROLE` statements.

To monitor security policy changes by category:

1. Log in to Oracle Database Vault Administrator as a user who has been granted the `DV_OWNER`, `DV_ADMIN`, or `DV_SECANALYST` role.

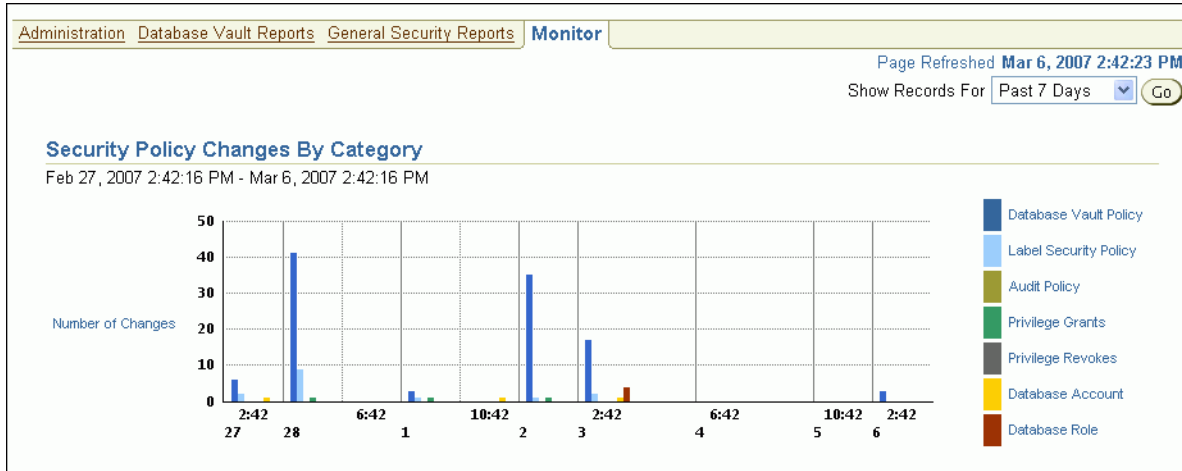
["Starting Oracle Database Vault Administrator"](#) on page 3-1 explains how to log on.

2. In the Administration page, click **Monitor**.
3. At the top of the Monitor page, set a period for the monitoring action by selecting from the **Show Records For** list and clicking **Go**.

This section of the Monitor page also indicates the last time the data on the page was refreshed.

4. In the Monitor page, check the graph under **Security Policy Changes by Category**.

A graph similar to the following appears, which shows the number of security policy changes based on the following categories: Oracle Database Vault policy, Oracle Label Security policy, audit policy, privilege grants and revokes, database accounts, and database roles.



Security Policy Changes Detail

You can check the details of security policy changes, such the user who made the change, the action that occurred, the time stamp of the change, and so on.

Before you can view these events, you must ensure that the AUDIT_TRAIL initialization parameter is set to DB or DB, EXTENDED.

To monitor security policy changes by detail:

1. Log in to Oracle Database Vault Administrator with an account that uses the DV_OWNER, DV_ADMIN, or DV_SECANALYST role.
["Starting Oracle Database Vault Administrator"](#) on page 3-1 explains how to log in.
2. In the Administration page, click **Monitor**.
3. At the top of the Monitor page, set a period for the monitoring action by selecting from the **Show Records For** list and clicking **Go**.

This section of the page also indicates the last time the data on the page was refreshed.

4. In the Monitor page, click **Security Policy Changes by Detail**.

A table appears, listing the details for security policy changes.

▼ Security Policy Changes Detail							
Feb 27, 2007 2:50:48 PM - Mar 6, 2007 2:50:48 PM							
☺ Previous 1-10 of 130 ▼ Next 10 ☺							
Timestamp ▼	User Name	User Host	Action Name	Return Code	Owner	Object Name	Grantee
Mar 6, 2007 1:21:57 PM	DBV_OWNER	localhost	UPDATE	0	DVSY\$	FACTOR\$	
Mar 6, 2007 1:21:18 PM	DBV_OWNER	localhost	UPDATE	0	DVSY\$	FACTOR\$	
Mar 6, 2007 1:20:09 PM	DBV_OWNER	localhost	DELETE	0	DVSY\$	COMMAND_RULE\$	

Oracle Database Vault Reports

This chapter contains:

- [Categories of Oracle Database Vault Reports](#)
- [Who Can Run the Oracle Database Vault Reports?](#)
- [How to Run Oracle Database Vault Reports](#)
- [Generating Oracle Database Vault Reports](#)
- [Generating General Security Reports](#)

Categories of Oracle Database Vault Reports

Oracle Database Vault provides a selection of reports that display security-related information from the database. These reports also show custom Oracle Database Vault audit event information. The reports are in two categories:

- **Database Vault Reports.** These reports allow you to check configuration issues with realms, command rules, factors, factor identities, rule sets, and secure application roles. These reports also reveal realm violations, auditing results, and so on.
- **General Security Reports.** These reports allow you to check the status of object privileges, database account system privileges, sensitive objects, privilege management, powerful database accounts and roles, initialization parameters, profiles, account passwords, security audits, and other security vulnerability reports.

Who Can Run the Oracle Database Vault Reports?

You must log on using an account that has the `DV_OWNER`, `DV_ADMIN`, or `DV_SECANALYST` role before you can run the Oracle Database Vault reports. For more information about these roles, see the following sections:

- ["Oracle Database Vault Owner Role, DV_OWNER"](#) on page 11-4
- ["Oracle Database Vault Configuration Administrator Role, DV_ADMIN"](#) on page 11-6
- ["Oracle Database Vault Security Analyst Role, DV_SECANALYST"](#) on page 11-8

How to Run Oracle Database Vault Reports

To run Oracle Database Vault reports:

1. Log in to Database Vault Administrator as a user who has been granted the DV_OWNER, DV_ADMIN, or DV_SECANALYST role.
["Starting Oracle Database Vault Administrator"](#) on page 3-1 explains how to log in.

2. Select either **Database Vault Reports** or **General Security Reports**.

These report categories are described in the following sections:

- ["Generating Oracle Database Vault Reports"](#) on page 17-2
- ["Generating General Security Reports"](#) on page 17-5

3. Select a report and click **Run Report** to run the report.

You can run many of the reports without any input parameters. For example, if you select the Audit Privileges Report, and click **Run Report**, then you can immediately see the report results. However, some of the available reports require at least one input parameter before the results can be displayed.

The Report Results page displays the report content in a tabular fashion with the column headings shown at the top of the report. The page displays the report title and the date and time when the report was run. Click **Return to Reports Menu** to return to the Reports page, so that you can select and run a different report if you want.

Some of the reports require at least one input parameter to be provided before they can be run. For example, when you select **Object Dependencies Report** and click **Run Report**, the Report Parameters page is displayed. The **Owner** box enables you to select the database account that owns the object. The **Object Name** field specifies the name of the object. You can use wildcard characters like the percentage sign (%), which defaults to all object names. The **Result Set Size** parameter determines the maximum number of result rows that are displayed. If you want all records to be displayed, then select **All**.

The parameters that you enter on this page are passed directly to the SQL query that generates the report results. Click **Run Report** to display the report results based on the specified parameters.

Generating Oracle Database Vault Reports

To generate Oracle Database Vault reports, click the **Database Vault Reports** tab, and then select from the following categories of reports:

- [Oracle Database Vault Configuration Issues Reports](#)
- [Oracle Database Vault Auditing Reports](#)

Oracle Database Vault Configuration Issues Reports

The configuration issues reports are:

- [Command Rule Configuration Issues Report](#)
- [Factor Configuration Issues Report](#)
- [Factor Without Identities Report](#)
- [Identity Configuration Issues Report](#)
- [Realm Authorization Configuration Issues Report](#)
- [Rule Set Configuration Issues Report](#)

- [Secure Application Configuration Issues Report](#)

Command Rule Configuration Issues Report

The Command Rule Configuration Issues Report displays command rules for which the following configuration issues exist:

- Rule set for the command rule is disabled.
- Rule set for the command rule is incomplete.
- Object owner for the command rule does not exist. This can happen when the user account for the object has been dropped.

Factor Configuration Issues Report

The Factor Configuration Issues Report displays Oracle Database Vault factors for which the following configuration issues exist:

- Rule set for factor assignment is disabled.
- Rule set for factor assignment is incomplete.
- Audit options for the factor are invalid.
- No factor retrieval method or constant exists.
- No subfactors (that is, child factors) are linked to a factor identity.
- No subfactors (child factors) are linked to a label factor.
- Oracle Label Security policy does not exist for the factor.

Factor Without Identities Report

The Factor Without Identities Report displays Oracle Database Vault factors that have no identities defined in the access control configuration. For some factors such as `Background_Job_Id`, this may not be a real problem, but the report can help you determine whether your access control configuration is complete and whether you have accounted for all factor configuration.

Identity Configuration Issues Report

The Identity Configuration Issues Report displays Oracle Database Vault factor identities where the following configuration issues exist:

- Label identity for the Oracle Label Security label for this identity has been removed and no longer exists.
- No map exists for the identity.

Realm Authorization Configuration Issues Report

The Realm Authorization Configuration Issues Report displays Oracle Database Vault realm information where the following configuration issues exist.

- Rule set for a realm authorization is disabled.
- Grantee does not exist for a realm authorization.
- Owner does not exist for a realm-secured object. This can happen when the user account has been dropped.

In most cases, however, these types of issues are caught when you configure the realm and during validation.

Rule Set Configuration Issues Report

The Rule Set Configuration Issues Report displays Oracle Database Vault rule set information when no rules are defined or enabled for a rule set.

Secure Application Configuration Issues Report

The Secure Application Configuration Issues Report displays Database Vault secure application role information where the following configuration issues exist:

- The database role does not exist. This can happen when the database role has been dropped.
- The rule set for role is disabled.
- The rule set for role is incomplete.

Oracle Database Vault Auditing Reports

The auditing reports are:

- [Realm Audit Report](#)
- [Command Rule Audit Report](#)
- [Factor Audit Report](#)
- [Label Security Integration Audit Report](#)
- [Core Database Vault Audit Trail Report](#)
- [Secure Application Role Audit Report](#)

Realm Audit Report

The Realm Audit Report shows audit records generated by the realm protection and realm authorization operations. You can manage realm authorizations by using rule sets, and then audit the rule set processing results. A realm violation occurs when the database account, performing an action on a realm-protected object, is not authorized to perform that action. Oracle Database Vault audits the violation even if you do not specify any rule sets attached to the realm. When you configure a realm, you can set it to audit instances of realm violations. You can use this information to investigate attempts to break security.

Command Rule Audit Report

The Command Rule Audit Report shows audit records generated by command rule processing operations. When you configure a command rule, you can set it to audit the rule set processing results.

Factor Audit Report

The Factor Audit Report shows factors that failed to evaluate or were set to create audit records under various conditions. It also shows failed attempts to set factors.

You can audit instances where a factor identity cannot be resolved and assigned (such as *No data found* or *Too many rows*). A factor can have an associated rule set that assigns an identity to the factor at run time. When you configure a factor, you can set it to audit the rule set processing results.

Label Security Integration Audit Report

The Label Security Integration Audit Report shows audit records generated by the session initialization operation and the session label assignment operation of label security. You can audit instances where the label security session fails to initialize, and where the label security component prevents a session from setting a label that exceeds the maximum session label.

Core Database Vault Audit Trail Report

The Core Database Vault Audit Trail Report shows audit records generated by the core access security session initialization operation. You can audit instances where the access security session fails to initialize. It displays the following data:

Violation Attempt	Instance Number
Timestamp	Object Name
Return Code	Rule Set
Account	Command
User Host	

Secure Application Role Audit Report

The Secure Application Role Audit Report shows the audit records generated by the secure application role-enabling operation for Oracle Database Vault.

Generating General Security Reports

To generate general security reports, click the **General Security Reports** tab, and then select from the following reports:

- [Object Privilege Reports](#)
- [Database Account System Privileges Reports](#)
- [Sensitive Objects Reports](#)
- [Privilege Management - Summary Reports](#)
- [Powerful Database Accounts and Roles Reports](#)
- [Initialization Parameters and Profiles Reports](#)
- [Database Account Password Reports](#)
- [Security Audit Report: Core Database Audit Report](#)
- [Other Security Vulnerability Reports](#)

Object Privilege Reports

The object privilege reports are:

- [Object Access By PUBLIC Report](#)
- [Object Access Not By PUBLIC Report](#)
- [Direct Object Privileges Report](#)
- [Object Dependencies Report](#)

Object Access By PUBLIC Report

The Object Access By PUBLIC Report lists all objects whose access has been granted to PUBLIC. It details all the object access the database accounts that you specify on the Report Parameters page, through object grants to PUBLIC. On the Reports Parameters page, you can filter the results based on the privilege, the object owner, or the object name.

Note: This report can be quite large if you choose the defaults.

Object Access Not By PUBLIC Report

The Object Access Not By PUBLIC Report describes all the object access the database accounts that you specify on the Report Parameters page, through grants to the account directly or through a role, but excluding the grants to PUBLIC. On the Reports Parameters page, you can filter the results based on the privilege, the object owner or the object name.

Note: This report can be quite large if you choose the defaults.

Direct Object Privileges Report

The Direct Object Privileges Report shows the direct object privileges granted to *nonsystem* database accounts. The following database accounts are excluded from the report:

CTXSYS	LBACSYS	PUBLIC	WKSYS
DMSYS	MDSYS	SYS	WMSYS
DVSYS	OLAPSYS	SYSMAN	
EXFSYS	ORDSYS	SYSTEM	

Object Dependencies Report

The Object Dependencies Report describes all dependencies in the database between procedures, packages, functions, package bodies, and triggers, including dependencies on views created without any database links. It can help you develop a security policy using the principle of least privilege for existing applications. If a database object, such as a UTL_FILE package, has privileges granted to PUBLIC or some other global role, then you can use the Object Dependencies Report to determine an account that may depend on the object and to determine how the account uses the object. To run the report, enter the database account you are inspecting for dependency and the object it may be dependent on, in the Report Parameters page.

The Report Results page shows the dependent object and object type and the source object name and type. This report shows where the potentially sensitive object is being used. By looking at several accounts, you might be able to see patterns that can help you develop restricted roles. These restricted roles can replace PUBLIC grants on widely used sensitive objects.

Database Account System Privileges Reports

The database account system privileges reports are:

- [Direct System Privileges By Database Account Report](#)
- [Direct and Indirect System Privileges By Database Account Report](#)
- [Hierarchical System Privileges by Database Account Report](#)

- [ANY System Privileges for Database Accounts Report](#)
- [System Privileges By Privilege Report](#)

Direct System Privileges By Database Account Report

The Direct System Privileges By Database Account Report displays all system privileges that have been directly granted to the database account selected on the Report Parameters page. It also shows whether a privilege has been granted the `WITH ADMIN` option.

Direct and Indirect System Privileges By Database Account Report

The Direct and Indirect System Privileges By Database Account Report displays all the system privileges for the database account selected on the Report Parameters page. The system privileges may have been granted directly or granted through a database role that has the `WITH ADMIN` status.

Hierarchical System Privileges by Database Account Report

The Hierarchical System Privileges by Database Account Report displays a hierarchical breakdown of role-based system privileges and direct system privileges granted to the database account specified on the Report Parameters page.

ANY System Privileges for Database Accounts Report

The ANY System Privileges for Database Accounts Report shows all ANY system privileges granted to the specified database account or role. ANY system privileges are very powerful and should be judiciously assigned to accounts and roles.

System Privileges By Privilege Report

The System Privileges By Privilege Report displays the database accounts and roles that have the system privilege selected on the Report Parameters page.

Sensitive Objects Reports

The sensitive objects reports are:

- [Execute Privileges to Strong SYS Packages Report](#)
- [Access to Sensitive Objects Report](#)
- [Public Execute Privilege To SYS PL/SQL Procedures Report](#)
- [Accounts with SYSDBA/SYSOPER Privilege Report](#)

Execute Privileges to Strong SYS Packages Report

The Execute Privileges to Strong SYS Packages Report shows the database accounts and roles that have the `EXECUTE` privilege on system packages that can be used to access operating system resources or other powerful system packages. The following system PL/SQL packages are included:

DBMS_ALERT	DBMS_RANDOM
DBMS_BACKUP_RESTORE	DBMS_REPAIR
DBMS_CAPTURE_ADM	DBMS_REPCAT
DBMS_DDL	DBMS_REPCAT_ADMIN

DBMS_DISTRICTED_TRUST_ADMIN	DBMS_RESOURCE_MANAGER
DBMS_FGA	DBMS_RESOURCE_MANAGER_PRIVS
DBMS_JOB	DBMS_RLS
DBMS_LDAP	DBMS_SESSION
DBMS_LOB	DEBUG_EXTPROC
DBMS_LOGMNR	UTL_FILE
DBMS_LOGMNR_D	UTL_HTTP
DBMS_OBFUSCATION_TOOLKIT	UTL_SMTP
DBMS_ORACLE_TRACE_AGENT	UTL_TCP
DBMS_PIPE	

Access to Sensitive Objects Report

The Access to Sensitive Objects Report shows the database accounts and roles that have object privileges on system tables or views that contain sensitive information. It includes the following system tables and views:

ALL_SOURCE	PROFILE\$
ALL_USERS	PROXY_ROLE_DATA\$
APPROLE\$	PROXY_ROLE_INFO\$
AUD\$	ROLE_ROLE_PRIVS
AUDIT_TRAIL\$	SOURCE\$
DBA_ROLE_PRIVS	STATS\$SQLTEXT
DBA_ROLES	STATS\$SQL_SUMMARY
DBA_TAB_PRIVS	STREAMS\$_PRIVILEGED_USER
DBMS_BACKUP_RESTORE	SYSTEM_PRIVILEGE_MAP
DEFROLE\$	TABLE_PRIVILEGE_MAP
FGA_LOG\$	TRIGGER\$
LINK\$	USER\$
OBJ\$	USER_HISTORY\$
OBJAUTH\$	USER_TAB_PRIVS
OBJPRIV\$	SYSTEM_PRIVILEGE_MAP

Public Execute Privilege To SYS PL/SQL Procedures Report

The Public Execute Privilege to SYS PL/SQL Procedures Report shows all database accounts and roles that have execute privileges on packages owned by SYS. This can be used to determine which privileges can be revoked from PUBLIC, or from other accounts and roles. This reduces vulnerabilities as part of an overall security policy implementation using the principle of least privilege.

Accounts with SYSDBA/SYSOPER Privilege Report

The Accounts with SYSDBA/SYSOPER Privilege Report displays database accounts that have SYS-privileged connection privileges. It also shows whether the accounts use

an external password. However, note that this report does not include operating system users who can become SYSDBA.

Privilege Management - Summary Reports

The privilege management summary reports are:

- [Privileges Distribution By Grantee Report](#)
- [Privileges Distribution By Grantee, Owner Report](#)
- [Privileges Distribution By Grantee, Owner, Privilege Report](#)

See Also: "[DBA_DV_PUB_PRIVS View](#)" on page 11-19 to find the values on which the counts listed in these reports are based

Privileges Distribution By Grantee Report

The Privileges Distribution By Grantee Report displays the count of privileges granted to a database account or role. This provides insight into accounts and roles that may have powerful privileges.

Privileges Distribution By Grantee, Owner Report

The Privileges Distribution By Grantee, Owner Report displays a count of privileges based on the grantee and the owner of the object. This provides insight into accounts or roles that may have powerful privileges. You can use this report if you suspect potential intruders or insider threats are looking for accounts that have powerful privileges as accounts to attack or compromise. If intruders can compromise the account (for example, by guessing the password) they can get more privileges than they already have.

Privileges Distribution By Grantee, Owner, Privilege Report

The Privileges Distribution By Grantee, Owner, Privilege Report displays a count of privileges based on the privilege, the grantee, and the owner of the object. This provides insight into the accounts or roles that may have powerful privileges.

Powerful Database Accounts and Roles Reports

The powerful database accounts and roles reports are:

- [WITH ADMIN Privilege Grants Report](#)
- [Accounts With DBA Roles Report](#)
- [Security Policy Exemption Report](#)
- [BECOME USER Report](#)
- [ALTER SYSTEM or ALTER SESSION Report](#)
- [Password History Access Report](#)
- [WITH GRANT Privileges Report](#)
- [Roles/Accounts That Have a Given Role Report](#)
- [Database Accounts With Catalog Roles Report](#)
- [AUDIT Privileges Report](#)
- [OS Security Vulnerability Privileges Report](#)

See Also:

- ["DBA_DV_PUB_PRIVS View"](#) on page 11-19
- ["DBA_DV_USER_PRIVS View"](#) on page 11-24
- ["DBA_DV_USER_PRIVS_ALL View"](#) on page 11-25

WITH ADMIN Privilege Grants Report

The WITH ADMIN Privileges Grants Report shows all database accounts and roles that have been granted privileges with the WITH ADMIN clause. This privilege can be misused to give another account more system privileges than required.

Accounts With DBA Roles Report

The Accounts With DBA Roles Report shows all database accounts that have the DBA role granted to them. The DBA role is a privileged role that can be misused. It is often granted to a database account to save time and to avoid having to determine the least number of privileges an account really needs. This report can help you to start applying a policy using the principle of least privilege to an existing database.

For guidelines on deciding who should have privileged roles, see [Appendix C, "Oracle Database Vault Security Guidelines"](#).

Security Policy Exemption Report

The Security Policy Exemption Report shows database (but not Oracle Database Vault) accounts and roles that have the EXEMPT ACCESS POLICY system privilege granted to them. Accounts that have this privilege can bypass all Virtual Private Database (VPD) policy filters and any Oracle Label Security policies that use Oracle Virtual Private Database indirectly. This is a powerful system privilege that should be granted only if absolutely necessary, as it presents a target to gain access to sensitive information in tables that are protected by Oracle Virtual Private Database or Oracle Label Security. You can use the auditing policies described in [Appendix A, "Auditing Oracle Database Vault"](#) to audit the use of this privilege.

BECOME USER Report

The BECOME USER Report shows all database accounts roles that have the BECOME USER system privilege. This is a very powerful system privilege: it enables the IMP_FULL_DATABASE and EXP_FULL_DATABASE roles for use with Oracle Data Pump. Accounts that possess this privilege can be misused to get sensitive information or to compromise an application.

ALTER SYSTEM or ALTER SESSION Report

The ALTER SYSTEM or ALTER SESSION Report shows all database accounts and roles that have the ALTER SYSTEM or ALTER SESSION privilege. Oracle recommends that you restrict these privileges only to those accounts and roles that truly need them (for example, the SYS account and the DV_ADMIN role). The ALTER SYSTEM statement can be used to change the security-related database initialization parameters that are set to recommended values as part of the Oracle Database Vault security strengthening service. Both the ALTER SYSTEM and ALTER SESSION statements can be used to dump database trace files, potentially containing sensitive configuration information, to the operating system.

For guidelines on using the ALTER SYSTEM and ALTER SESSION privileges, see ["Security Considerations for the ALTER SYSTEM and ALTER SESSION Privileges"](#) on page C-8.

Password History Access Report

The Password History Access Report shows database accounts that have access to the `USER_HISTORY$` table that stores hashed passwords that were previously used by each account. Access to this table can make guessing the existing password for an account easier for someone hacking the database.

WITH GRANT Privileges Report

The WITH GRANT Privileges Report shows all database accounts that have been granted privileges with the `WITH GRANT` clause. Remember that `WITH GRANT` is used for object-level privileges: An account that has been granted privileges using the `WITH GRANT` option can be misused to grant object privileges to another account.

Roles/Accounts That Have a Given Role Report

This report displays the database accounts and roles to which a role has been granted. This report is provided for dependency analysis.

Database Accounts With Catalog Roles Report

The Database Accounts With Catalog Roles Report displays all database accounts and roles that have the following roles granted to them:

- `DELETE_CATALOG_ROLE`
- `EXECUTE_CATALOG_ROLE`
- `RECOVERY_CATALOG_OWNER`
- `SELECT_CATALOG_ROLE`

These catalog-based roles have a very large number of powerful privileges. They should be granted with caution, much like the `DBA` role, which uses them.

AUDIT Privileges Report

The AUDIT Privileges Report displays all database accounts and roles that have the `AUDIT ANY` or `AUDIT SYSTEM` privilege. This privilege can be used to disable auditing, which could be used to eliminate the audit trail record of an intruder who has compromised the system. The accounts that have this privilege could be targets for intruders.

OS Security Vulnerability Privileges Report

The OS Security Vulnerability Privileges Report shows the database accounts and roles that have the required system privileges to export sensitive or otherwise protected information to the operating system.

Initialization Parameters and Profiles Reports

The initialization parameters and profiles reports are:

- [Security Related Database Parameters Report](#)
- [Resource Profiles Report](#)
- [System Resource Limits Report](#)

Security Related Database Parameters Report

The Security Related Database Parameters Report displays database parameters that can cause security vulnerabilities, if not set correctly. This report can be used to

compare the recommended settings with the current state of the database parameter values.

Resource Profiles Report

The Resource Profiles Report provides a view of resource profiles, such as `CPU_PER_SESSION` and `IDLE_TIME`, that may be allowing unlimited resource consumption. You should review the profiles that might need a cap on the potential resource usage.

System Resource Limits Report

The System Resource Limits Report provides insight into the current system resource usage by the database. This helps determine whether any of these resources are approaching their limits under the existing application load. Resources that show large increases over a short period may point to a denial-of-service (DoS) attack. You might want to reduce the upper limit for the resource to prevent the condition in the future.

Database Account Password Reports

The database account password reports are:

- [Database Account Default Password Report](#)
- [Database Account Status Report](#)

Database Account Default Password Report

The Database Account Default Password Report lists the database accounts that have default passwords. Default passwords are provided during the Oracle Database installation.

You should change the passwords for accounts included in this report to nondefault, complex passwords to help secure the database.

Database Account Status Report

The Database Account Status Report provides a quick view of existing database accounts. The report shows the account status for each account, which helps you identify accounts that must be locked. Lock and expiry dates provide information that helps determine whether the account was locked as a result of password aging. If a special password and resource secure profile is used, then you can identify accounts that are not using them. Accounts not using organizationally defined default tablespaces also can be identified, and the temporary tablespace for accounts can be determined. This report also identifies accounts that use external passwords.

Security Audit Report: Core Database Audit Report

The Core Database Audit Report returns audit records for the audit policy defined in "[Auditing Oracle Database Vault](#)", and any auditing records that are generated for audit statements you have defined.

This report only displays audit records that are captured if the database initialization parameter `AUDIT_TRAIL` has been set to `DB`. For more information about the `AUDIT_TRAIL` parameter, see *Oracle Database SQL Reference*.

Other Security Vulnerability Reports

The other security vulnerability reports are:

- [Java Policy Grants Report](#)

- [OS Directory Objects Report](#)
- [Objects Dependent on Dynamic SQL Report](#)
- [Unwrapped PL/SQL Package Bodies Report](#)
- [Username/Password Tables Report](#)
- [Tablespace Quotas Report](#)
- [Non-Owner Object Trigger Report](#)

Java Policy Grants Report

The Java Policy Grants Report shows the Java policy permissions stored in the database. It helps reveal violations to the principle of least privilege. Look for `GRANT`, `READ`, or `WRITE` privileges to `PUBLIC` or other accounts and roles that do not necessarily need the privilege. It is advisable to disable Java loading privileges from `PUBLIC`, if Java is not required in the database.

Note: Oracle JVM, the Java virtual machine option provided with Oracle Database Vault, must be installed before you can run the Java Policy Grants Report.

OS Directory Objects Report

The OS Directory Objects Report shows all directory objects that exist in the database, whether they are available to `PUBLIC`, and what their privileges are. Directory objects should exist only for secured operating system (OS) directories, and access to them within the database should be protected. You should never use the root operating system directory on any storage device (for example, `/`) because it allows remote database sessions to look at all files on the device.

Objects Dependent on Dynamic SQL Report

The Objects Dependent on Dynamic SQL Report shows objects that leverage dynamic SQL. Potential intruders have a greater chance of using this channel if parameter checking or bind variables are not used. The report helps by narrowing the scope of where to look for problems by pointing out who is using dynamic SQL. Such objects can be a target for a SQL injection attack and must be secured to avoid this type of attack. After determining the objects that use dynamic SQL, do the following:

- Check the privileges that client applications (for example, a Web application) have over the object.
- Check the access granted for the object to `PUBLIC` or a wider account base.
- Validate parameters.
- Use bind variables where possible.

Unwrapped PL/SQL Package Bodies Report

The Unwrapped PL/SQL Package Bodies Report displays PL/SQL package procedures that are not wrapped. Oracle provides a wrap utility that obfuscates code to the point where it cannot be read in the data dictionary or from the data dictionary views. This helps reduce the ability of an intruder to circumvent data protection by eliminating the ability to read source code that manipulates data.

Username/Password Tables Report

The Username/Password Tables Report helps to identify application tables in the database that store user names and password strings. You should examine these tables to determine if the information is encrypted. (Search for column names such as %USER%NAME% or %PASSWORD%.) If it is not, modify the code and applications using these tables to protect them from being visible to database sessions.

Tablespace Quotas Report

The Tablespace Quotas Report shows all database accounts that have quotas on one or more tablespaces. These tablespaces can become potential targets for denial-of-service (DoS) attacks.

Non-Owner Object Trigger Report

The Non-Owner Object Trigger Report lists triggers that are owned by a database account that is different from the account that owns the database object on which the trigger acts. If the trigger is not part of a trusted database application, then it can *steal* sensitive data, possibly from tables protected through Oracle Label Security or Virtual Private Database (VPD), and place it into an unprotected table for subsequent viewing or export.

Auditing Oracle Database Vault

This appendix contains:

- [Oracle Database Vault Specific Audit Events](#)
- [Archiving and Purging the Oracle Database Vault Audit Trail](#)
- [Oracle Database Audit Settings Created for Oracle Database Vault](#)

Oracle Database Vault Specific Audit Events

This section contains:

- [Oracle Database Vault Audit Events](#)
- [Format of the Oracle Database Vault Audit Trail](#)

Oracle Database Vault Audit Events

Oracle Database Vault uses audit events to track the following activities:

- **Realm Audit.** You can audit both successful and failed actions, based on the auditing option that you set when you created the realm. The exception to this is actions performed by the schema owner.
- **Rule Set Audit.** Audits the rule set processing results. You can audit both successful and failed processing. Realm authorizations can be managed using rule sets. You can audit the rule set processing results. Factor assignments and secure application roles audits can be managed using a rule set.
- **Factor Audit.** You can audit both successful and failed factor processing. For failed factor processing, you can audit on all or any of the following events: Retrieval Error, Retrieval Null, Validation Error, Validation False, Trust Level Null, or Trust Level Less Than Zero.
- **Oracle Label Security Session Initialization Failed.** Audits instances where the Oracle Label Security session fails to initialize.
- **Oracle Label Security Attempt to Upgrade Session Label Failed.** Audits instances where the Oracle Label Security component prevents a session from setting a label that exceeds the maximum session label.

See Also:

- ["Audit Options"](#) on page 7-8 (for factors)
- ["Audit Options"](#) on page 5-3 (for rule sets)
- ["Defining Realm Authorization"](#) on page 4-5
- [Chapter 17, "Oracle Database Vault Reports"](#) for information about viewing the audit reports

Format of the Oracle Database Vault Audit Trail

The Oracle Database Vault audit event records are stored in the `AUDIT_TRAIL$` table, which is part of the `DVSY$` schema. These audit records are not part of the Oracle Database audit trail, and how auditing is enabled in the database has no effect how Oracle Database Vault collects its audit data in the `AUDIT_TRAIL$` table. In fact, even if auditing has been disabled in Oracle Database, then the Oracle Database Vault audit functionality continues to write to the `AUDIT_TRAIL$` table. Users who have been granted the `DV_OWNER`, `DV_ADMIN`, or `DV_SECANALYST` role can directly query the `DVSY$.AUDIT_TRAIL$` table.

Note: Oracle Audit Vault can collect the audit data for Oracle Database Vault. See *Oracle Audit Vault Administrator's Guide* for more information.

[Table A-1](#) describes the format of the audit trail, which you must understand if you plan to create custom reports that use the `AUDIT_TRAIL$` table.

Table A-1 Oracle Database Vault Audit Trail Format

Column	Datatype	Null	Description
ID#	NUMBER	NOT NULL	Numeric identifier for the audit record
OS_USERNAME	VARCHAR2 (255)		Operating system login user name of the user whose actions were audited
USERNAME	VARCHAR2 (30)		Name of the database user whose actions were audited
USERHOST	VARCHAR2 (128)		Client computer name
TERMINAL	VARCHAR2 (255)		Identifier for the user's terminal
TIMESTAMP	DATE		Date and time of creation of the audit trail entry (in the local database session time zone)
OWNER	VARCHAR2 (30)		Creator of the object affected by the action, always <code>DVSY\$</code> (because <code>DVSY\$</code> is where objects are created)
OBJ_NAME	VARCHAR2 (128)		Name of the object affected by the action. Expected values are: <ul style="list-style-type: none"> ▪ <code>ROLE\$</code> ▪ <code>REALM\$</code> ▪ <code>CODE\$</code> ▪ <code>FACTOR\$</code>

Table A-1 (Cont.) Oracle Database Vault Audit Trail Format

Column	Datatype	Null	Description
ACTION	NUMBER	NOT NULL	Numeric action type code. The corresponding name of the action type is in the ACTION_NAME column. Expected ACTION and ACTION_NAME values are: <ul style="list-style-type: none"> ■ 10000: Factor Evaluation Audit ■ 10001: Factor Assignment Audit ■ 10002: Factor Expression Audit ■ 10003: Realm Violation Audit ■ 10004: Realm Authorization Audit ■ 10005: Command Authorization Audit ■ 10006: Secure Role Audit ■ 10007: Access Control Session Initialization Audit ■ 10008: Access Control Command Authorization Audit ■ 10009: Oracle Label Security Session Initialization Audit ■ 10010: Oracle Label Security Attempt to Upgrade Label Audit
ACTION_NAME	VARCHAR2 (128)		Name of the action type corresponding to the numeric code in the ACTION column.
ACTION_OBJECT_ID	NUMBER		The unique identifier of the record in the table specified under OBJ_NAME.
ACTION_OBJECT_NAME	VARCHAR2 (128)		The unique name or natural key of the record in the table specified under OBJ_NAME
ACTION_COMMAND	VARCHAR2 (4000)		The SQL text of the command procedure that was executed that resulted in the audit event being triggered
AUDIT_OPTION	VARCHAR2 (4000)		The labels for all audit options specified in the record that resulted in the audit event being triggered. For example, a factor set operation that is supposed to audit on get failure and get NULL would indicate these two options.
RULE_SET_ID	NUMBER		The unique identifier of the rule set that was executing and caused the audit event to trigger
RULE_SET_NAME	VARCHAR2 (30)		The unique name of the rule set that was executing and caused the audit event to trigger
RULE_ID	NUMBER		Not used
RULE_NAME	VARCHAR2 (30)		Not used
FACTOR_CONTEXT	VARCHAR2 (4000)		An XML document that contains all of the factor identifiers for the current session at the point when the audit event was triggered
COMMENT_TEXT	VARCHAR2 (4000)		Text comment on the audit trail entry, providing more information about the statement audited
SESSIONID	NUMBER	NOT NULL	Numeric identifier for each Oracle session
ENTRYID	NUMBER	NOT NULL	Same as the value in the ID# column

Table A–1 (Cont.) Oracle Database Vault Audit Trail Format

Column	Datatype	Null	Description
STATEMENTID	NUMBER	NOT NULL	Numeric identifier for the statement invoked that caused the audit event to be generated. This is empty for most Oracle Database Vault events.
RETURNCODE	NUMBER	NOT NULL	Oracle error code generated by the action. The error code for a statement or procedure invoked that caused the audit event to be generated. This is empty for most Oracle Database Vault events.
EXTENDED_TIMESTAMP	TIMESTAMP (6) WITH TIME ZONE		Time stamp of creation of the audit trail entry (time stamp of user login for entries) in UTC (Coordinated Universal Time) time zone
PROXY_SESSIONID	NUMBER		Proxy session serial number, if an enterprise user has logged in through the proxy mechanism.
GLOBAL_UID	VARCHAR2 (32)		Global user identifier for the user, if the user has logged in as an enterprise user
INSTANCE_NUMBER	NUMBER		Instance number as specified by the INSTANCE_NUMBER initialization parameter
OS_PROCESS	VARCHAR2 (16)		Operating system process identifier of the Oracle process
CREATED_BY	VARCHAR2 (30)		Database login user name of the user whose actions were audited
CREATE_DATE	DATE		Date on which the action occurred, based on the SYSDATE date
UPDATED_BY	VARCHAR2 (30)		Same as CREATED_BY column value
UPDATE_DATE	DATE		Same as UPDATED_BY column value

Archiving and Purging the Oracle Database Vault Audit Trail

You can create an archive of the Oracle Database Vault audit trail by exporting the `AUDIT_TRAIL$` system table, which is owned by `DVSYSD`, to a dump file. You should periodically archive and then purge the audit trail to prevent it from growing too large.

To archive and purge the Oracle Database Vault audit trail:

1. Ensure that the Export utility is installed.

Log on to SQL*Plus with administrative privileges and then run the following query:

```
sqlplus "SYS AS SYSDBA"
Enter password: password

SELECT ROLE FROM DBA_ROLES WHERE ROLE LIKE '%FULL%'
```

If the query does not return the `EXP_FULL_DATABASE` and `IMP_FULL_DATABASE` roles, then Export is not installed. To install Export, run either the `catexp.sql` or `catalog.sql` script. For example:

```
@/opt/oracle/app/oracle/admin/catexp.sql;
```

See *Oracle Database Utilities* for more information about the Export utility.

2. Disable Oracle Database Vault.

See "[Step 1: Disable Oracle Database Vault](#)" on page B-2 for more information.

3. If the DVSYS account is locked, then unlock it. You need to have this account unlocked when you run the EXP export command.

```
ALTER USER DVSYS IDENTIFIED BY password ACCOUNT UNLOCK;
```

4. At the operating system command prompt, enter a command similar to the following to export the DVSYS.AUDIT_TRAIL\$ audit table into a new dump file.

```
EXP DVSYS/password \  
TABLES=DVSYS.AUDIT_TRAIL$ \  
FILE=/opt/oracle/app/oracle/admin/orcl/adump/dv_audit_081309.dmp \  
ROWS=y
```

In this specification:

- TABLES: Enter DVSYS.AUDIT_TRAIL\$, the name of the audit trail table.
 - FILE: Enter the name of the dump file that you want to create. The default extension is .dmp, but you can use any extension. Ensure that the file name you specify is unique.
 - ROWS: Enter y (yes) to export all rows of the table data.
5. Exit SQL*Plus.

Oracle Database Audit Settings Created for Oracle Database Vault

When you install Oracle Database Vault, it creates several AUDIT settings in the database. However, in order for these audit settings to take place, auditing must be enabled in this database. You can check if auditing is enabled by using the SHOW PARAMETER command to find the value of the AUDIT_TRAIL initialization parameter. By default, auditing is disabled in Oracle Database.

If the AUDIT_TRAIL parameter is set to NONE, then auditing is not enabled, so you must set AUDIT_TRAIL. For detailed information about the AUDIT_TRAIL parameter, see *Oracle Database Reference*.

[Table A-2](#) lists the AUDIT settings that Oracle Database Vault adds to the database.

Table A–2 Audit Policy Settings Oracle Database Vault Adds to Oracle Database

Audit Setting Type	Audited Statements (BY ACCESS and on Success or Failure Unless Otherwise Noted)
System Audit Settings/System Privilege Usage	ALTER ANY CREATE ANY DELETE ANY DROP ANY EXECUTE ANY (WHENEVER NOT SUCCESSFUL) FORCE ANY GRANT ANY INSERT ANY UPDATE ANY
System Audit Settings/Object Management	ALTER DATABASE, PROFILE, ROLLBACK SEGMENT, SESSION, SYSTEM, TABLE, TABLESPACE, USER CREATE CLUSTER, DATABASE LINK, INDEXTYPE, LIBRARY, OPERATOR, PUBLIC SYNONYM, PROCEDURE, PROFILE, ROLE, ROLLBACK SEGMENT, SEQUENCE, SESSION, SNAPSHOT, SYNONYM, TABLE, TABLESPACE, TRIGGER, TYPE, USER, VIEW TRUNCATE
System Audit Settings/Intrusive Commands	ALTER SESSION BECOME USER CREATE SESSION DEBUG CONNECT SESSION RESTRICTED SESSION
System Audit Settings/Administration Commands	ADMINISTER DATABASE TRIGGER BACKUP ANY TABLE EXEMPT ACCESS POLICY MANAGE TABLESPACE
System Audit Settings/Audit Commands	AUDIT ANY AUDIT SYSTEM
System Audit Settings/Access Control	GRANT ANY PRIVILEGE/ANY OBJECT PRIVILEGE/ROLE GRANT DIRECTORY GRANT SEQUENCE GRANT TABLE GRANT TYPE

Table A–2 (Cont.) Audit Policy Settings Oracle Database Vault Adds to Oracle Database

Audit Setting Type	Audited Statements (BY ACCESS and on Success or Failure Unless Otherwise Noted)
User Audit Settings for DVSYS/DVF	ADMINISTER DATABASE TRIGGER
User Audit Settings for LBACSYS	ALTER <i>object</i>
See Table 11–2, "Database Accounts Used by Oracle Database Vault" on page 11-9 for more information about these accounts.	AUDIT SYSTEM
See also these sections for detailed information on the DVSYS and DVF schemas:	BECOME USER
■ "DVSYS Schema" on page 11-1	CLUSTER
■ "DVF Schema" on page 11-2	COMMENT
	CONTEXT
	CREATE <i>object</i>
	DATABASE LINK
	DEBUG
	DIRECTORY
	DROP <i>object</i>
	EXECUTE LIBRARY (WHENEVER NOT SUCCESSFUL)
	EXECUTE PROCEDURE (WHENEVER NOT SUCCESSFUL)
	EXEMPT ACCESS POLICY
	EXEMPT IDENTITY POLICY
	EXPORT FULL DATABASE
	GRANT <i>object</i>
	IMPORT FULL DATABASE
	INDEX
	MANAGE SCHEDULER
	MANAGE TABLESPACE
	MATERIALIZED VIEW (audits both accessing and creating materialized views)
	SELECT SEQUENCE (WHENEVER NOT SUCCESSFUL)
	SELECT TABLE (WHENEVER NOT SUCCESSFUL)
Object Audit Settings for DVF	AUDIT PACKAGE/PROCEDURE/FUNCTION/SEQUENCE/TABLE
	COMMENT TABLE/VIEW
	DELETE TABLE/VIEW
	EXECUTE PACKAGE/PROCEDURE/FUNCTION (WHENEVER NOT SUCCESSFUL)
	GRANT PACKAGE/PROCEDURE/FUNCTION/SEQUENCE/TABLE
	RENAME PACKAGE/PROCEDURE/FUNCTION/SEQUENCE/VIEW/TABLE
	SELECT SEQUENCE/TABLE/VIEW (WHENEVER NOT SUCCESSFUL)

Table A–2 (Cont.) Audit Policy Settings Oracle Database Vault Adds to Oracle Database

Audit Setting Type	Audited Statements (BY ACCESS and on Success or Failure Unless Otherwise Noted)
Object Audit Settings for DVSYS	AUDIT PACKAGE/PROCEDURE/FUNCTION/SEQUENCE/TABLE
Object Audit Settings for LBACSYS	COMMENT TABLE/VIEW
	DELETE TABLE/VIEW
	EXECUTE PACKAGE/PROCEDURE/FUNCTION (WHENEVER NOT SUCCESSFUL)
	GRANT PACKAGE/PROCEDURE/FUNCTION/SEQUENCE/TABLE
	INSERT TABLE/VIEW
	RENAME PACKAGE/PROCEDURE/FUNCTION/SEQUENCE/VIEW/TABLE
	SELECT SEQUENCE/TABLE/VIEW (WHENEVER NOT SUCCESSFUL)
	UPDATE TABLE/VIEW

Disabling and Enabling Oracle Database Vault

This appendix contains:

- [When You Must Disable Oracle Database Vault](#)
- [Checking if Oracle Database Vault Is Enabled or Disabled](#)
- [Step 1: Disable Oracle Database Vault](#)
- [Step 2: Perform the Required Tasks](#)
- [Step 3: Enable Oracle Database Vault](#)

When You Must Disable Oracle Database Vault

You may need to disable Oracle Database Vault to perform upgrade tasks or correct erroneous configurations. You can reenable Oracle Database Vault after you complete the corrective tasks.

Note: Be aware that if you disable Oracle Database Vault, the privileges that were revoked from existing users and roles during installation remain in effect. See ["Privileges That Are Revoked from Existing Users and Roles"](#) on page 2-4 for a listing of the revoked privileges.

The following situations require you to disable Oracle Database Vault:

- The Oracle Database Vault user accounts have been inadvertently locked or their passwords forgotten. (See the tip under ["Oracle Database Vault Accounts"](#) on page 11-8 for a guideline for avoiding this problem in the future.)
- A rule set associated with the `CONNECT` role has been configured incorrectly. This is resulting in failed database logins for all accounts, including those with the `DV_OWNER` or `DV_ADMIN` role, who could correct this problem.
- You must perform maintenance tasks on Oracle Database Vault.
- You must install any of the Oracle Database optional products, such as Oracle Spatial Data Option, Oracle OLAP, or Oracle *interMedia*, by using Database Configuration Assistant (DBCA).
- You are about to install a third-party product, install an Oracle product, or perform an Oracle patch update whose installation may be prevented if Oracle Database Vault is running.
- You must archive the Oracle Database Vault audit trail.

Checking if Oracle Database Vault Is Enabled or Disabled

You can check if Oracle Database Vault is enabled or disabled by querying the V\$OPTION data dictionary view. Any user can query this view. If Oracle Database Vault is enabled, the query returns TRUE. Otherwise, it returns FALSE.

Remember that the PARAMETER column value is case sensitive. For example:

```
SELECT * FROM V$OPTION WHERE PARAMETER = 'Oracle Database Vault';
```

If Oracle Database Vault is enabled, the following output appears:

PARAMETER	VALUE
Oracle Database Vault	TRUE

Step 1: Disable Oracle Database Vault

Follow these steps to disable Oracle Database Vault on UNIX systems:

1. Turn off the software processes. Make sure that the environment variables, ORACLE_HOME, ORACLE_SID, and PATH are correctly set.

For single-instance installations, shut down the database instance:

```
sqlplus SYS AS SYSOPER
Enter password: password
```

```
SHUTDOWN IMMEDIATE
EXIT
```

For Oracle Real Application Clusters (Oracle RAC) installations, shut down each database instance from a command line as follows:

```
srvctl stop database -d db_name -c "sys/sys_passwd as sysoper"
```

If you cannot connect to the database, then proceed to the next step.

2. Run the following commands at a command line to turn off the Oracle Database Vault option:

```
cd $ORACLE_HOME/rdbms/lib
make -f ins_rdbms.mk dv_off
cd $ORACLE_HOME/bin
relink oracle
```

For Oracle RAC installations, run these commands on all nodes.

3. In SQL*Plus, start the database.

For single-instance database installations:

```
sqlplus SYS AS SYSOPER
Enter password: password
```

```
STARTUP
EXIT
```

For Oracle RAC installations, from a command line:

```
srvctl start database -d db_name -c "sys/sys_passwd as sysoper"
```

4. Connect as SYS using the SYSDBA privilege, and then run the following ALTER TRIGGER statements:

```
CONNECT SYS / AS SYSDBA
Enter password: password

ALTER TRIGGER DVSYS.DV_BEFORE_DDL_TRG DISABLE;
ALTER TRIGGER DVSYS.DV_AFTER_DDL_TRG DISABLE;
```

Note: After you disable Oracle Database Vault, you still can run the Oracle Database Vault API functions. In addition, after you disable Oracle Database Vault, the ANY privileges are available.

Step 2: Perform the Required Tasks

At this stage, Oracle Database Vault is disabled. You can perform the following types of activities:

- **Use the Oracle Database Vault PL/SQL packages and functions.** For example, to correct a login or CONNECT rule set error, use the `DBMS_MACADM` PL/SQL package or the Oracle Database Vault Administrator interface.

Note: If you are using Oracle Database Vault Administrator, then you must start the `dbconsole` process. You can check the status of the `dbconsole` process by entering the following command from the `$ORACLE_HOME/bin` directory of the Oracle home in which you deployed Database Vault Administrator:

```
./emctl status dbconsole
```

To start `dbconsole`:

```
./emctl start dbconsole
```

- **Use the SYSTEM or SYS accounts to perform tasks such as creating or changing passwords.** In addition to modifying regular database and administrative user accounts, you can modify passwords and the lock status of any of the Oracle Database Vault-specific accounts, such as users who have been granted the `DV_ADMIN` or `DV_ACCTMGR` roles. (See the tip under "[Oracle Database Vault Accounts](#)" on page 11-8 for a guideline for avoiding this problem in the future.)
- **Perform the installation, upgrade, or other tasks that require security protections to be disabled.** If you must run Oracle Database Vault Configuration Assistant (DVCA), ensure that the Oracle Database listener is running. To start the listener, run the following command from the `$ORACLE_HOME/bin` directory:

```
./lsnrctl start
```

Step 3: Enable Oracle Database Vault

Use the following steps to enable Oracle Database Vault on UNIX systems:

1. Log into SQL*Plus as `SYS` using the `SYSDBA` privilege, and then run the following ALTER TRIGGER statements:

```
sqlplus sys as sysdba
Enter password: password

ALTER TRIGGER DVSYS.DV_BEFORE_DDL_TRG ENABLE;
ALTER TRIGGER DVSYS.DV_AFTER_DDL_TRG ENABLE;
```

2. Turn off the software processes. Make sure that the environment variables, ORACLE_HOME, ORACLE_SID, and PATH are correctly set.

3. Shut down the database instance.

For single-instance installations:

```
sqlplus SYS AS SYSOPER
Enter password: password
```

```
SHUTDOWN IMMEDIATE
EXIT
```

For Oracle RAC installations, from a command line:

```
srvctl stop database -d db_name -c "sys/sys_passwd as sysoper"
```

4. Run the following commands to turn on the Oracle Database Vault option:

```
cd $ORACLE_HOME/rdbms/lib
make -f ins_rdbms.mk dv_on
cd $ORACLE_HOME/bin
relink oracle
```

For Oracle RAC installations, run these commands on all nodes.

5. In SQL*Plus, start the database:

For single-instance database installations:

```
sqlplus SYS AS SYSOPER
Enter password: password
```

```
STARTUP
EXIT
```

For Oracle RAC installations, from a command line:

```
srvctl start database -d db_name -c "sys/sys_passwd as sysoper"
```

6. Restart the dbconsole process. For both single-instance and Oracle RAC installations, use the following command:

```
emctl start dbconsole
```

Oracle Database Vault Security Guidelines

This appendix contains:

- [Separation of Duty Guidelines](#)
- [Managing Oracle Database Administrative Accounts](#)
- [Accounts and Roles Trusted by Oracle Database Vault](#)
- [Accounts and Roles That Should be Limited to Trusted Individuals](#)
- [Guidelines for Using Oracle Database Vault in a Production Environment](#)
- [Secure Configuration Guidelines](#)

Separation of Duty Guidelines

This section contains:

- [How Oracle Database Vault Handles Separation of Duty](#)
- [Defining Separate Tasks in an Oracle Database Vault Environment](#)
- [Creating a Separation of Duty Matrix](#)
- [Identifying and Documenting the Tasks of Users Who Access the Database System](#)

How Oracle Database Vault Handles Separation of Duty

Separation of duty means that you restrict each user's privileges *only* to the tasks he or she is responsible for, and *no more*. You should assign specific categories of privileges to specific users, rather than granting many privileges to one user. Simply put, separation of duty creates accountability for each task that your organization requires.

Separation of duty has taken on increased importance over the past 10 years. For many organizations, separation of duty is a new concept that continues to evolve. Database consolidation, regulatory compliance, and outsourcing are just a few of the drivers for increased separation of duty. Oracle Database Vault separation of duty strengthens security by separating security-related administration from day-to-day DBA operations. You can tailor your Database Vault separation of duty implementation to easily adapt to current and future business requirements. Small organizations, in particular, need flexibility as they attempt to increase their security profile with limited resources.

Defining Separate Tasks in an Oracle Database Vault Environment

Oracle Database Vault defines the following main responsibilities:

- **Account management.** Account management entails creating, modifying, and dropping user accounts. The `DV_ACCTMGR` role provides these privileges.
- **Security administration.** Security administration covers basic security tasks such as creating realms and command rules, setting security policies for database users' access, and authorizing database users for jobs they are allowed to perform. Security administrators also run security audit reports. The `DV_OWNER` and `DV_ADMIN` roles provide these privileges. (For an in-depth look at how the Oracle Database Vault roles provide for separation of duty, see "[Oracle Database Vault Roles](#)" on page 11-2.)

Optionally, you can consolidate the account management and security administrative responsibilities.

- **Resource management.** Resource management refers to managing the database system but not accessing business data. It includes the following operations:
 - Backup operations require a predefined time to perform the backup using predefined tools.
 - Tuning and monitoring operations require ongoing performance monitoring and analysis.
 - Patching operations require temporary access only during the time the patching takes place

For resource management, you should create a named account and a backup account for each of these tasks. Add these accounts as owners of the Data Dictionary realm. Use these accounts as the primary resource managers in the database.

You should have separate accounts for database account management, database security administration, and additional named accounts for backup operations. Auditors check for separate database accounts for different responsibilities and being able to track the actions of each account. Less important is the number of users assigned to specific tasks. Remember that Oracle Database Vault audit events are protected and that the Database Vault reports show all attempted violations.

Creating a Separation of Duty Matrix

Before separation of duty can be successful, you must understand who performs basic administration tasks in your environment and what these administration tasks are. Even if a single database administrator is responsible for managing both new database account provisioning and application patching, it is important to document and plan for each of these tasks. Using separate administration accounts for these types of tasks provides increased accountability and reduces associated risks. In midsize to large organizations, database administrators typically must perform common administration tasks but they do not need access to business data managed by the application. Creating a matrix for your separation of duty can help you plan your Database Vault deployment. As needed, you can include additional tasks and associated users to this list. This information should become part of the overall enterprise security documentation for your organization.

[Table C-1](#) shows an example of a separation of duty matrix.

Table C-1 Example Separation of Duty Matrix

User, Process or Application	Account Creation	Database Administration					Security Administrator
		SYSDBA	Backup	Tuning	Patching	Monitoring	
JSMITH	X						
SHARDY							X
PKESTNER			X				
RTYLER					X		
SANDERSON				X		X	
SYSTEM					EBS patching		
RMAN		X	X				
...							

In some cases, system management tasks may require temporary access to data through specific tools and programs. When this happens, build provisions for this temporary or emergency access into the Oracle Database Vault rules and rule sets.

Identifying and Documenting the Tasks of Users Who Access the Database System

You should document the following areas of the tasks your organization needs:

- The responsibilities of each administrative user
- The kind of access users need. For example, application owners should have data access and developers need access to development instances only.
- Who must manage the system without accessing business data (for example, users who perform backup, patching, tuning, and monitoring operations).
- The duties of each category of tasks (for example, the files that must be backed up, the applications that require patching, what exactly is monitored). Include the alternate user accounts for each of these tasks.
- The databases and applications that must be protected. This includes Oracle applications, partner applications, and custom applications.
- Who must be authorized to access business data, including the following:
 - Application owners through middle tier processes
 - Business users through an application interface
- Emergency "what if" scenarios, such as how to handle a security breach
- Reporting in a production environment, which should include the following:
 - Who runs the reports
 - Which reports must be run
 - The frequency with which each report is run
 - The users who must receive a copy of each report
- In addition to a separation of duty matrix, the creation of the following matrices:
 - An Oracle Database Vault-specific matrix, which can cover the names and tasks of users who have been granted Database Vault roles
 - An application protection matrix, which can cover the applications to be protected and the types of protections you have put in place.

Table C-2 shows an example of protections Oracle created for PeopleSoft Applications. You can download the scripts to create these security policies from the following URL:

<http://www.oracle.com/technetwork/database/options/database-vault/index-085211.html>

Table C-2 Example Application Protection Matrix

Protection Type	Authorized with Rule Set			
	SYSADM	PSFTDBA	SYSTEM	DBA
PeopleSoft Realm	Owner	Owner	No Access	No Access
SELECT Command Rule	Not Restricted	Limit PSFTDB Rule Set	No Access	No Access
CONNECT Command Rule	PeopleSoftAccess Rule Set	Not Restricted	Not Restricted	Not Restricted
DROP TABLESPACE Command Rule	Disabled Rule Set	Disabled Rule Set	Disabled Rule Set	Disabled Rule Set

Managing Oracle Database Administrative Accounts

This section contains:

- [Using the SYSTEM User Account for General Administrative Uses](#)
- [Using the SYSTEM Schema for Application Tables](#)
- [Limiting the SYSDBA Privilege](#)
- [Managing Root and Operating System Access](#)

Using the SYSTEM User Account for General Administrative Uses

If you use the SYSTEM account for general database administrative purposes, create named database administrative accounts for your database administrators. Doing so increases accountability for administrative actions in the database.

Using the SYSTEM Schema for Application Tables

If your site holds application tables in the SYSTEM schema, then you should add the SYSTEM account to your realm authorizations for these tables so that these applications can continue to work normally. You can place restrictions on the SYSTEM account to increase or fine-tune security for these applications. For example, you can create a Database Vault rule set to restrict the SYSTEM user's access to specific IP addresses.

Limiting the SYSDBA Privilege

Limit the SYSDBA privilege only to users who must connect using this privilege when absolutely necessary and for applications that still require SYSDBA access, such as Oracle Recovery Manager (RMAN) and mandatory patching processes. For all other cases, create named database accounts to perform daily database administration.

Managing Root and Operating System Access

Oracle Database Vault prevents highly privileged database users from accessing sensitive data. In addition, if you are using Oracle Database itself, you can use transparent data encryption to prevent the most highly privileged operating system users from accessing sensitive data. Transparent data encryption enables you to hide individual table columns. (See *Oracle Database Advanced Security Administrator's Guide* for more information about transparent data encryption.) As a best practice, always carefully review and restrict direct access to the operating system.

You should have personalized accounts access the operating system. These personalized accounts should, in the Linux or UNIX environments, login using `sudo` to the `oracle` software owner when needed. With `sudo`, you can control which specific command each personalized user can execute. Be sure to prevent the use of the `make`, `relink`, `gdb`, or other commands that could potentially harm the database, for these users. However, if an administrative user must install a patch or perform some other emergency operation, you can enable the `make` and `relink` commands for a limited time, and audit their actions during this period.

Accounts and Roles Trusted by Oracle Database Vault

Oracle Database Vault restricts access to application data from many privileged users and roles in the database. However, in some cases, Oracle Database Vaults trusts certain roles and privileges.

[Table C-3](#) lists the trusted roles and privileges that are created when you install Oracle Database Vault.

Table C-3 Trusted Oracle Database Vault Roles and Privileges

Role or Privilege	Status	Description
DV_ACCTMGR role	Open	Role created during installation and used for creating new database accounts
DV_OWNER role	Open	Role created during installation and used for managing realms, factors and command rules. This user cannot add himself or herself to realm authorizations, nor can users who have the DV_ACCTMGR role alter this user.
SYSDBA privilege	Enabled	Privilege created during Oracle Database installation. Required by some Oracle features. See " Managing SYSDBA Access " on page C-6 for guidelines on managing SYSDBA.
SYSOPER privilege	Enabled	Privilege created during Oracle Database installation. Database startup and shutdown. Granted to SYS only by default. See " Managing SYSOPER Access " on page C-6 for guidelines on managing SYSOPER.

Accounts and Roles That Should be Limited to Trusted Individuals

Several accounts and roles have very powerful privileges in a default Oracle Database installation. You should limit these accounts and roles only to trusted individuals.

- [Managing Users with Root Access to the Operating System](#)
- [Managing the Oracle Software Owner](#)
- [Managing SYSDBA Access](#)
- [Managing SYSOPER Access](#)

Managing Users with Root Access to the Operating System

Users who have root user access have full control over the system, including the following activities:

- Reading unencrypted files
- Moving and deleting any files
- Starting or stopping any program on the system
- Logging in as any user, including the user who owns the Oracle Database installation

Oracle Database Vault does not provide protection against the operating system root access. Ensure that you grant root user privileges only to the appropriate people with the appropriate responsibility.

Managing the Oracle Software Owner

Users who have access to a system as the Oracle software owner have control over the Oracle software, including the following activities:

- Disabling Oracle Database Vault in the given system
- Reading unencrypted database files
- Moving and deleting database files
- Starting or stopping Oracle programs in the system

Oracle Database Vault does not provide protection against the operating system access of the Oracle software owner. Ensure that you grant Oracle software owner access only to the appropriate people with the appropriate responsibility.

Managing SYSDBA Access

The `SYSDBA` privilege is a trusted privilege in Oracle Database Vault. Grant this privilege to trusted users only.

Managing SYSOPER Access

By default, Oracle Database limits `SYSOPER` access to operating system users in the `SYSOPER` group and the user `SYS`. It prevents `SYSOPER` from modifying the Oracle data dictionary directly. The `SYSOPER` privilege has limited privileges within the database, but individuals with this role can start and shut down the Oracle database. Only grant the `SYSOPER` privilege to trusted individuals.

Guidelines for Using Oracle Database Vault in a Production Environment

Follow these guidelines when running Oracle Database Vault in a production environment:

- Run a full test of your applications to ensure that the Database Vault policies you have created are working as expected
- Monitor the performance of your applications, and if necessary, tune your rule expressions
- Assign responsibilities to the appropriate production support and security groups, as follows:
 - Assign security responsibilities to the database security administrator.

- Assign account management to the database account manager.
- Assign resource management tasks to database administrators.
- Back up your Database Vault API scripts to a secure server.

Secure Configuration Guidelines

Follow these configuration and security guidelines:

- [Security Considerations for SYSDBA Operating System Authentication](#)
- [Security Considerations for SYS Users Accessing Realm Objects](#)
- [Security Considerations for the UTL_FILE Package](#)
- [Security Considerations for the LogMiner Packages](#)
- [Security Considerations for the ALTER SYSTEM and ALTER SESSION Privileges](#)
- [Security Considerations for Java Stored Procedures and Oracle Database Vault](#)

Note:

- Installing patches and new applications might re-grant some of the privileges that Oracle recommends that you revoke in this section. Check these privileges after you install patches and new applications to verify that they are still revoked.
- When you revoke EXECUTE privileges on packages, ensure that you grant EXECUTE on the packages to the owner, check the package dependencies, and recompile any invalid packages after the revoke.

To find users who have access to the package, log in to SQL*Plus as SYSTEM and issue the following query.

```
SELECT * FROM DBA_TAB_PRIVS WHERE TABLE_NAME = package_name;
```

package_name is the name of the package you are looking for.

To find the users, packages, procedures, and functions that are dependent on the package, issue this query:

```
SELECT OWNER, NAME, TYPE FROM ALL_DEPENDENCIES
WHERE REFERENCED_NAME = package_name;
```

Note that these two queries do not identify references to packages made through dynamic SQL.

See Also:

- ["Privileges That Are Revoked from Existing Users and Roles"](#) on page 2-4
- [Table 11-1, "Privileges of Oracle Database Vault Roles"](#) on page 11-3

Security Considerations for SYSDBA Operating System Authentication

Be careful about whom you grant SYSDBA privileges to in the operating system DBA group. Only grant this privilege to trusted individuals.

Security Considerations for SYS Users Accessing Realm Objects

By default, `SYS` is not allowed to access realms. To grant `SYS` access to realm objects, you can add `SYS` as realm participant to realm objects.

Security Considerations for the UTL_FILE Package

The `UTL_FILE` package is owned by `SYS` and granted to `PUBLIC`. However, a user must have access to the directory object in order to manipulate the files in that operating system directory. You can configure the `UTL_FILE` package securely; see *Oracle Database PL/SQL Packages and Types Reference* for more information.

Security Considerations for the LogMiner Packages

In this release of Oracle Database Vault, the role `EXECUTE_CATALOG_ROLE` no longer has the `EXECUTE` privilege granted by default on the following LogMiner packages:

- `DBMS_LOGMNR`
- `DBMS_LOGMNR_D`

Ensure that this change does not affect your applications.

Security Considerations for the ALTER SYSTEM and ALTER SESSION Privileges

Be aware that trace and debug commands have the potential to show Oracle database memory information. Oracle Database Vault does not protect against these commands. To help secure the Oracle database memory information, Oracle recommends that you strictly control access to the `ALTER SYSTEM` and `ALTER SESSION` privileges. These privileges can be granted by the user `SYS` when connected as `SYSDBA` and by any user granted the `DBA` role.

Oracle also recommends that you add rules to the existing command rule for `ALTER SYSTEM` statement. You can use Oracle Database Vault Administrator to create a rule and add it to a rule set. You should grant the `ALTER SESSION` privilege only to trusted users. (For example, the `ALTER SESSION` statement can enable tracing.)

[Example C-1](#) shows how you can create this type of rule. This rule prevent users with `ALTER SYSTEM` privilege from issuing the command `ALTER SYSTEM DUMP`. Log in to SQL*Plus as the Oracle Database Vault Owner when you create this command rule.

Example C-1 Adding Rules to the Existing ALTER SYSTEM Command Rule

```
CONNECT amalcolm_dvacctmgr
Enter password: password

BEGIN
  DBMS_MACADM.CREATE_RULE('NO_SYSTEM_DUMP',
    '(INSTR(UPPER(DVSYS.DV_SQL_TEXT), 'DUMP') = 0)');
  END;
/
EXEC DBMS_MACADM.ADD_RULE_TO_RULE_SET
  ('Check Trigger Init Parameter', 'NO_SYSTEM_DUMP');

EXEC DBMS_MACADM.UPDATE_COMMAND_RULE
  ('ALTER SYSTEM', 'Check Trigger Init Parameter', 'SYSADMIN', '%', 'Y');

COMMIT;
```

Alternatively, you can use Oracle Database Vault Administrator to create and add this rule to the rule set. See "[Creating a Rule to Add to a Rule Set](#)" on page 5-5 for more information.

Security Considerations for Java Stored Procedures and Oracle Database Vault

A definer's rights stored procedure relies on the privileges of the owner of the stored procedure to access objects referenced within the stored procedure. Invoker's rights stored procedures rely on the privileges of the executor of the stored procedure to access objects referenced within the stored procedure. The default for Java stored procedures is invoker's rights.

Oracle Database Vault security works by intercepting calls made within the Oracle Database.

For Java stored procedures with definer's rights, the execution of the stored procedure is not blocked and realm protection is not enforced. However, underlying objects accessed by the Java stored procedure can be protected by Oracle Database Vault command rules.

For Java stored procedures with invoker's rights, the execution of the stored procedure is not blocked. However, underlying objects accessed by the Java stored procedure are protected by both Oracle Database Vault realms and command rules.

Limiting Access to Java Stored Procedures

By default, the EXECUTE ANY PROCEDURE privilege is granted to the DBA, EXP_FULL_DATABASE, and IMP_FULL_DATABASE roles. You can limit access to Java stored procedures by revoking the EXECUTE ANY PROCEDURE from users and roles who do not require it, and then by selectively assigning them read privileges. Note also that revoking the EXECUTE ANY PROCEDURE from users further secures the database by limiting access to SYS-owned packages.

Securing Java Stored Procedures

Oracle recommends that you analyze your Java stored procedures when using Oracle Database Vault to maximize security. You can do so by following these steps:

- [Step 1: Identify the Java Stored Procedures Created with Definer's Rights](#)
- [Step 2: Find the Java Stored Procedures That Access Realm-Protected Objects](#)
- [Step 3: Create a Package to Wrap Procedures Accessing Realm-Protected Objects](#)
- [Step 4: Identify the Java Stored Procedures Created with Invoker's Rights](#)
- [Step 5: Block the Execution of Java Stored Procedures](#)
- [Step 6: Verify Oracle Database Vault Protection for Java Stored Procedures](#)
- [Step 7: Secure the Invoker's Rights for New Java Stored Procedures](#)

Step 1: Identify the Java Stored Procedures Created with Definer's Rights

Identify the Java stored procedures that were created with definers rights by running the query in [Example C-2](#). This query returns only Java stored procedures that connect to the database, and then it spools the results to the file `java_dr.lst`.

Example C-2 Query to Identify Java Stored Procedures with Definers Rights

```
COLUMN plsql_owner FORMAT a8
COLUMN plsql FORMAT a30
```

```

COLUMN java_owner FORMAT a8
COLUMN java FORMAT a30
SPOOL java_dr
select distinct plu.name plsqli_owner, plo.name plsqli,
              ju.name java_owner, jo.name java
from obj$ plo, user$ plu, user$ ju, obj$ jo, procedurejava$ j
where jo.name=j.classname and ju.user#=jo.owner# and ju.name=j.ownername
   and jo.type#=29 and bitand(jo.flags, 8)=0
   and plo.owner#=plu.user#
   and j.obj#=plo.obj# and bitand(plo.flags, 8)=0
   and ju.name not in ('SYS', 'ORDSYS')
   and jo.obj# in
   (select d_obj# from dependency$ connect by d_obj#=prior p_obj#
    start with p_obj#=(select obj# from obj$ where name='java/sql/Connection'
                       and owner#=0));
SPOOL off

```

Step 2: Find the Java Stored Procedures That Access Realm-Protected Objects

Analyze the Java stored procedures you queried in Step 1 and determine whether any of them access Realm protected objects. You can find a list of the realm-secured objects in the current database instance by using the `DBA_DV_REALM_OBJECT` view, which is described in "[DBA_DV_REALM_OBJECT View](#)" on page 11-21.

Step 3: Create a Package to Wrap Procedures Accessing Realm-Protected Objects

For Java stored procedures that do access realm-protected objects, create a PL/SQL package to wrap the Java stored procedure. Due to PL/SQL optimizations, the PL/SQL package wrapper *must* have a dummy variable defined in the package header. Adding the dummy variable enables Oracle Database Vault to intercept and block execution of Java stored procedures. Bear in mind that while this method does secure the execution of the Java stored procedure, it does not provide protection against calls to other Java stored procedures that may be embedded.

[Example C-3](#) shows the PL/SQL package `mypackage` being created to wrap the Java class `emp_count`.

Example C-3 Creating a PL/SQL Wrapper

```

CREATE OR REPLACE PACKAGE SCOTT.MYPACKAGE AS
  tmp varchar2(200) := 'TEST'; -- dummy variable
  FUNCTION empcount RETURN VARCHAR2;
END;
/

CREATE OR REPLACE PACKAGE BODY SCOTT.MYPACKAGE AS
  FUNCTION empcount RETURN VARCHAR2 AS LANGUAGE JAVA
  NAME 'emp_count.count()' return java.lang.String;
END;
/

```

Step 4: Identify the Java Stored Procedures Created with Invoker's Rights

Next, you are ready to identify the Java stored procedures that were created with invoker's rights. Do so by running the query in [Example C-4](#). This query only returns Java stored procedures that connect to the database, and then it spools the results to the file `java_dr.lst`.

Example C-4 Identifying Java Stored Procedures with Invoker's Rights

```

COLUMN plsqli_owner FORMAT a8
COLUMN plsqli FORMAT a30
COLUMN java_owner FORMAT a8
COLUMN java FORMAT a30
spool java_ir

select distinct plu.name plsqli_owner, plo.name plsqli,
               ju.name java_owner, jo.name java
from obj$ plo, user$ plu, user$ ju, obj$ jo, procedurejava$ j
where jo.name=j.classname and ju.user#=jo.owner# and ju.name=j.ownername
   and jo.type#=29 and bitand(jo.flags, 8)=8
   and plo.owner#=plu.user#
   and j.obj#=plo.obj# and bitand(plo.flags, 8)=0
   and ju.name not in ('SYS', 'ORDSYS')
   and jo.obj# in
   (select d_obj# from dependency$ connect by d_obj#=prior p_obj#
    start with p_obj#=(select obj# from obj$ where name='java/sql/Connection'
                       and owner#=0));

spool off

```

Step 5: Block the Execution of Java Stored Procedures

Oracle Database Vault realm and command rules are enforced for invoker's rights stored procedures. However, it can be useful to even block execution on Java stored procedures. You can do this by following [Step 3: Create a Package to Wrap Procedures Accessing Realm-Protected Objects](#).

Step 6: Verify Oracle Database Vault Protection for Java Stored Procedures

Verify that Oracle Database Vault is protecting your Java stored procedures. [Example C-5](#) show how you can test Oracle Database Vault security. Log in to a tool such as SQL*Plus. Then try to access a realm-protected object directly and execute a Java stored procedure to access a realm protected object.

Example C-5 Testing Oracle Database Vault Protection for Java Stored Procedures

```

CONNECT u1
Enter password: password

SELECT * FROM SESSION_PRIVS;

PRIVILEGE
-----
CREATE SESSION
SELECT ANY TABLE
CREATE PROCEDURE
EXECUTE ANY PROCEDURE

Protecting access on direct SQL access

SELECT COUNT(*) FROM SCOTT.EMP;

ERROR at line 1:
ORA-01031: insufficient privileges

--Now show protecting access through Java

SELECT SCOTT.MYPACKAGE.EMPCOUNT FROM DUAL;

```

```
ERROR at line 1:  
ORA-01031: insufficient privileges  
ORA-06512: at "SCOTT.MYPACKAGE", line 2
```

Step 7: Secure the Invoker's Rights for New Java Stored Procedures

If you are writing new Java stored procedures, ensure that Java classes execute with invoker's rights and define them in a PL/SQL package specification. Remember, it is important to include a dummy PL/SQL variable in the package header. Adding the dummy variable enables Oracle Database Vault to intercept and block execution of Java stored procedures.

Troubleshooting Oracle Database Vault

This appendix contains:

- [Using Trace Files to Diagnose Events in the Database](#)
- [General Diagnostic Tips](#)
- [Configuration Problems with Oracle Database Vault Components](#)

Using Trace Files to Diagnose Events in the Database

You can monitor your Oracle Database Vault database instance for server and background process events by checking the database instance trace files. Trace files reveal events such as the logic that the Oracle Database Vault security enforcement engine executes, and internal errors, block corruption errors, deadlock errors, administrative actions that may have occurred, values of parameters that had nondefault settings when the database instance started, and other information.

Be careful about enabling trace files, however. Doing so can increase the overhead of the database instance operation, which could decrease performance. Contact Oracle Support before you decide to enable tracing.

See *Oracle Database Performance Tuning Guide* for more information about trace files. The `USER_DUMP_DEST` initialization parameter specifies the current location of the trace files. You can find the value of this parameter by issuing `SHOW PARAMETER USER_DUMP_DEST` in SQL*Plus.

To enable tracing, log in to SQL*Plus as a user who has the `ALTER SESSION` privilege and then issue the following statement:

```
ALTER SESSION SET EVENTS '47998 trace name context forever, level 12'
```

For example, suppose you have an account that is trying to use a statement that is protected by a command rule, but the statement is not working as expected. You can diagnose the enforcement logic for this account by granting it the `ALTER SESSION` privilege, issuing the `ALTER SESSION` statement, and then retrying the statement. Afterward, check the trace files to determine what is going on.

You can disable tracing by issuing the following statement:

```
ALTER SESSION SET EVENTS '47998 trace name context off'
```

General Diagnostic Tips

Follow these general tips for diagnosing problems in realms, factors, and rule sets:

- For realm protections, verify that a user has the underlying system or object privileges (granted directly or through a role) that might affect the command.
- If a realm authorization is not working, verify that the account roles are set correctly.
- If Database Vault Administrator does not display the default realms, command rules, rule sets, or factors, then Oracle Database and your operating system have conflicting NLS settings.

The value of the initialization parameter `NLS_LANGUAGE` in Oracle Database must match up correctly with the locale and NLS settings at the operating system level (either `NLS_LANG` or `LANG` environment variables). For example, if the operating system locale (the variable `$LANG`) setting is `en_US.UTF-8`, then the corresponding `NLS_LANG` environment variable should be set to `AMERICAN_AMERICA.AL32UTF8` and the database `NLS_LANGUAGE` parameter value will be `AMERICAN`. The database `NLS_LANGUAGE` parameter is derived from the operating system `NLS_LANG` environment variable.

For more information about checking and configuring locale and NLS settings, see the appendix that covers globalization support in the *Oracle Database Installation Guide* for your platform.

- For PL/SQL expressions used in factors and rule sets, grant `EXECUTE` privileges on the PL/SQL package functions used in these expressions directly to the account and determine if the results appear to be correct.
- Use the auditing reports to diagnose problems in general. See ["Oracle Database Vault Auditing Reports"](#) on page 17-4 for more information.

Configuration Problems with Oracle Database Vault Components

If you suspect problems with the configuration of realms, command rules, factors, rule sets, or secure application roles, you can run the appropriate configuration report. See the following sections for more information:

- ["Command Rule Configuration Issues Report"](#) on page 17-3
- ["Factor Configuration Issues Report"](#) on page 17-3
- ["Factor Without Identities Report"](#) on page 17-3
- ["Identity Configuration Issues Report"](#) on page 17-3
- ["Realm Authorization Configuration Issues Report"](#) on page 17-3
- ["Rule Set Configuration Issues Report"](#) on page 17-4
- ["Secure Application Configuration Issues Report"](#) on page 17-4

To run these reports, see ["How to Run Oracle Database Vault Reports"](#) on page 17-1.

Symbols

% wildcard, 17-2

A

access control policy

- configuring with tools and components
 - Oracle Label Security PL/SQL APIs, 1-3
 - Oracle Policy Manager, 1-3

- reports

 - Core Database Vault Audit Report, 17-5

access control run-time PL/SQL procedures and functions, 15-1

Access to Sensitive Objects Report, 17-8

accounts

- See* database accounts

Accounts With DBA Roles Report, 17-10

Accounts with SYSDBA/SYSOPER Privilege Report, 17-8

ad hoc tools

- preventing use of, 7-17

administrators

- DBA operations in Oracle Database Vault, 10-1 to 10-5

- restricting different types, 7-22

alerts

- Enterprise Manager Grid Control, 10-4

ALTER DATABASE statement

- monitoring, 16-2

ALTER ROLE statement

- monitoring, 16-3

ALTER SESSION privilege

- enabling trace files, D-1

- reports, ALTER SYSTEM or ALTER SESSION Report, 17-10

ALTER SESSION statement

- guidelines on managing privileges, C-8

ALTER SYSTEM or ALTER SESSION Report, 17-10

ALTER SYSTEM privilege

- reports, ALTER SYSTEM or ALTER SESSION Report, 17-10

ALTER SYSTEM statement

- controlling with command rules, 6-1
- guidelines on managing privileges, C-8

ALTER TABLE statement

- monitoring, 16-2

ALTER USER statement

- monitoring, 16-3

ANY privileges, 11-7

ANY System Privileges for Database Accounts Report, 17-7

APIs

- See* DBMS_MACADM package, DBMS_MACSEC_ROLES package, DBMS_MACUTL package

AUD\$ table

- See* SYS.AUD\$ table

audit policy change

- monitoring, 16-3

AUDIT privilege, 17-11

AUDIT Privileges Report, 17-11

AUDIT_SYS_OPERATIONS initialization parameter, 2-2

AUDIT_TRAIL initialization parameter

- effect on Core Database Audit Report, 17-12

AUDIT_TRAIL\$ system table

- affected by AUDIT_TRAIL initialization parameter, A-2

- archiving, A-4

- format, A-2

- purging, A-4

auditing

- archiving Database Vault audit trail, A-4

- Core Database Audit Report, 17-12

- DBMS_MACUTL fields, 14-1

- factors

 - options, 7-8

- intruders

 - using factors, 7-9

 - using rule sets, 5-4

- Oracle Database audit settings, A-5 to A-8

- purging Database Vault audit trail, A-4

- realms

 - DBMS_MACUTL fields, 14-3

 - options, 4-3

- reports, 17-4 to 17-5

- rule sets

 - DBMS_MACUTL fields, 14-3

 - options, 5-3

- secure application roles

 - audit records, 8-8

- troubleshooting, D-1

- views used to audit events, 11-12
- auditing policies
 - about, A-1
 - audit events
 - about, A-1
 - custom events
 - audit trail, A-2
 - events that are tracked, A-1
 - monitoring changes to, 16-3
- authentication
 - Authentication_Type default, 7-2
 - command rules, 6-2
 - finding type of with DVF.F\$AUTHENTICATION_TYPE, 15-7
 - realm procedures, 12-2
- authorizations
 - realms, 4-5

B

- BECOME USER Report, 17-10
- BECOME USER system privilege
 - about, 17-10

C

- catalog-based roles, 17-11
- child factors
 - See* factors
- clients
 - finding IP address with DVF.F\$CLIENT_IP, 15-7
- code groups
 - retrieving value with DBMS_MACUTL functions, 14-5
- Command Rule Audit Report, 17-4
- Command Rule Configuration Issues Report, 17-3
- command rules
 - about, 6-1
 - creating, 6-4
 - data dictionary view, 6-9
 - default command rules, 6-2
 - default command rules not showing in Database Vault Administrator, D-2
 - deleting, 6-5
 - diagnosing behavior, D-1
 - editing, 6-4
 - functions
 - DBMS_MACUTL (utility), 14-1 to 14-6
 - guidelines, 6-8
 - how command rules work, 6-5
 - objects
 - name, 6-5
 - owner, 6-4
 - performance effect, 6-9
 - procedures
 - DBMS_MACADM (configuration), 12-20
 - process flow, 6-5
 - propagating policies to other databases, 10-2
 - reports, 6-9
 - rule sets

- selecting, 6-5
- used with, 6-1
- troubleshooting
 - general diagnostic advice, D-1
 - with auditing report, 17-4
- tutorial, 6-6
- views, 6-9, 11-12
- See also* rule sets
- compliance
 - Oracle Database Vault addressing, 1-4
- computer name
 - finding with DVF.F\$MACHINE, 15-11
 - Machine default factor, 7-3
- configuration
 - monitoring changes, 16-3
 - See also* DBMS_MACADM package
- CONNECT events, controlling with command rules, 6-2
- core database
 - troubleshooting with Core Database Vault Audit Report, 17-5
- Core Database Audit Report, 17-12
- Core Database Vault Audit Trail Report, 17-5
- CPU_PER_SESSION resource profile, 17-12
- CREATE ROLE statement
 - monitoring, 16-3
- CREATE TABLE statement
 - monitoring, 16-2
- CREATE USER statement
 - monitoring, 16-3

D

- data definition language (DDL)
 - statement
 - controlling with command rules, 6-1
- data dictionary
 - adding DV_ACCTMGR role to realm, 3-7
- data manipulation language (DML)
 - statement
 - checking with DBMS_MACUTL.CHECK_DVSYSDML_ALLOWED function, 14-5
 - controlling with command rules, 6-1
 - data Oracle Database Vault recognizes
 - See* factors
- Database Account Default Password Report, 17-12
- Database Account Status Report, 17-12
- database accounts
 - counting privileges of, 17-9
 - DBSNMP
 - realm for, 4-2
 - DVSYSDML, 11-9
 - LBACSYS, 11-9
 - monitoring, 16-3
 - reports
 - Accounts With DBA Roles Report, 17-10
 - ALTER SYSTEM or ALTER SESSION Report, 17-10
 - ANY System Privileges for Database Accounts Report, 17-7

- AUDIT Privileges Report, 17-11
- BECOME USER Report, 17-10
- Database Account Default Password Report, 17-12
- Database Account Status Report, 17-12
- Database Accounts With Catalog Roles Report, 17-11
- Direct and Indirect System Privileges By Database Account Report, 17-7
- Direct Object Privileges Report, 17-6
- Direct System Privileges By Database Account Report, 17-7
- Hierarchical System Privileges by Database Account Report, 17-7
- Object Access By PUBLIC Report, 17-6
- Object Access Not By PUBLIC Report, 17-6
- OS Security Vulnerability Privileges, 17-11
- Password History Access Report, 17-11
- Privileges Distribution By Grantee Report, 17-9
- Privileges Distribution By Grantee, Owner Report, 17-9
- Privileges Distribution By Grantee, Owner, Privilege Report, 17-9
- Roles/Accounts That Have a Given Role Report, 17-11
- Security Policy Exemption Report, 17-10
- WITH ADMIN Privilege Grants Report, 17-10
- WITH GRANT Privileges Report, 17-11
- solution for lockouts, B-1
- suggested, 11-9
- SYSMAN
 - realm for, 4-2
- Database Accounts With Catalog Roles Report, 17-11
- database administrative operations, 10-1 to 10-5
- database configuration
 - monitoring changes, 16-2
- database definition language (DDL)
 - statements
 - controlling with command rules, 6-1
- database domains, Database_Domain default factor, 7-2
- database objects
 - Oracle Database Vault, 11-1 to 11-25
 - reports
 - Object Dependencies Report, 17-6
 - See also* objects
- database options, installing, B-1
- database roles
 - about, 11-2
 - counting privileges of, 17-9
 - default Oracle Database Vault, 11-2
 - DV_ACCTMGR
 - about, 11-6
 - adding to Data Dictionary realm, 3-7
 - DV_ADMIN, 11-6
 - DV_OWNER, 11-4
 - DV_PUBLIC, 11-7
 - DV_REALM_OWNER, 11-5
 - DV_REALM_RESOURCE, 11-5
 - DV_SECANALYST, 11-8
 - enabled, determining with DVSYS.ROLE_IS_ENABLED, 15-4
 - monitoring, 16-3
 - Oracle Database Vault, default, 11-2
 - reports
 - Accounts With DBA Roles Report, 17-10
 - ALTER SYSTEM or ALTER SESSION Report, 17-10
 - AUDIT Privileges Report, 17-11
 - BECOME USER Report, 17-10
 - Database Accounts With Catalog Roles Report, 17-11
 - OS Security Vulnerability Privileges, 17-11
 - Privileges Distribution By Grantee Report, 17-9
 - Roles/Accounts That Have a Given Role Report, 17-11
 - Security Policy Exemption Report, 17-10
 - WITH ADMIN Privilege Grants Report, 17-10
 - separation of duty enforcement, 2-3
- database sessions, 7-6
 - controlling with Allow Sessions default rule set, 5-2
 - factor evaluation, 7-14
 - session user name, Proxy_User default factor, 7-3
- Database Vault
 - See* Oracle Database Vault
- Database Vault Administrator
 - setting URL in Oracle Enterprise Manager, 10-1
- databases
 - defined with factors, 7-1
 - domain, Domain default factor, 7-2
 - event monitoring, D-1
 - grouped schemas
 - See* realms
 - host names, Database_Hostname default factor, 7-2
 - instance, retrieving information with functions, 12-24
 - instances
 - Database_Instance default factor, 7-2
 - names, finding with DVF.F\$DATABASE_INSTANCE, 15-8
 - number, finding with DVSYS.DV_INSTANCE_NUM, 15-14
 - IP addresses
 - Database_IP default factor, 7-2
 - retrieving with DVF.F\$DATABASE_IP, 15-9
 - listener, starting, B-3
 - log file location, 3-4
 - monitoring events, D-1
 - names
 - Database_Name default factor, 7-2
 - retrieving with DVF.F\$DATABASE_NAME, 15-9
 - retrieving with DVSYS.DV_DATABASE_NAME, 15-15
 - parameters

Security Related Database Parameters Report, 17-11

roles that do not exist, 17-4

schema creation, finding with

- DVF.F\$IDENTIFICATION_TYPE, 15-10

structural changes, monitoring, 16-2

user name, Session_User default factor, 7-3

DBA_DV_CODE view, 11-11

DBA_DV_COMMAND_RULE view, 6-9, 11-12

DBA_DV_FACTOR view, 11-13

DBA_DV_FACTOR_LINK view, 11-15

DBA_DV_FACTOR_TYPE view, 11-16

DBA_DV_IDENTITY view, 11-16

DBA_DV_IDENTITY_MAP view, 11-17

DBA_DV_MAC_POLICY view, 11-17

DBA_DV_MAC_POLICY_FACTOR view, 11-18

DBA_DV_POLICY_LABEL view, 11-19

DBA_DV_PUB_PRIVS view, 11-19

DBA_DV_REALM view, 11-20

DBA_DV_REALM_AUTH view, 11-20

DBA_DV_REALM_OBJECT view, 11-21

DBA_DV_ROLE view, 11-21

DBA_DV_RULE view, 11-22

DBA_DV_RULE_SET view, 11-22

DBA_DV_RULE_SET_RULE view, 11-24

DBA_DV_USER_PRIVS view, 11-24

DBA_DV_USER_PRIVS_ALL view, 11-25

DBMS_FILE_TRANSFER package, guidelines on managing, C-8

DBMS_MACADM package

- about, 12-1
- command rule procedures, listed, 12-20
- factor procedures, listed, 12-23
- Oracle Label Security policy procedures, listed, 12-44
- realm procedures, listed, 12-1
- rule set procedures, listed, 12-10
- secure application role procedures, listed, 12-42

DBMS_MACADM.ADD_AUTH_TO_REALM procedure, 12-2

DBMS_MACADM.ADD_FACTOR_LINK procedure, 12-25

DBMS_MACADM.ADD_OBJECT_TO_REALM procedure, 12-3

DBMS_MACADM.ADD_POLICY_FACTOR procedure, 12-25

DBMS_MACADM.ADD_RULE_TO_RULE_SET procedure, 12-11

DBMS_MACADM.CHANGE_IDENTITY_FACTOR procedure, 12-26

DBMS_MACADM.CHANGE_IDENTITY_VALUE procedure, 12-27

DBMS_MACADM.CREATE_COMMAND_RULE procedure, 12-21

DBMS_MACADM.CREATE_DOMAIN_IDENTITY procedure, 12-27

DBMS_MACADM.CREATE_FACTOR procedure, 12-28

DBMS_MACADM.CREATE_FACTOR_TYPE procedure, 12-30

DBMS_MACADM.CREATE_IDENTITY procedure, 12-31

DBMS_MACADM.CREATE_IDENTITY_MAP procedure, 12-32

DBMS_MACADM.CREATE_MAC_POLICY procedure, 12-45

DBMS_MACADM.CREATE_POLICY_LABEL procedure, 12-46

DBMS_MACADM.CREATE_REALM procedure, 12-4

DBMS_MACADM.CREATE_ROLE procedure, 12-42

DBMS_MACADM.CREATE_RULE procedure, 12-12

DBMS_MACADM.CREATE_RULE_SET procedure, 12-13

DBMS_MACADM.DELETE_AUTH_FROM_REALM procedure, 12-5

DBMS_MACADM.DELETE_COMMAND_RULE procedure, 12-22

DBMS_MACADM.DELETE_FACTOR procedure, 12-33

DBMS_MACADM.DELETE_FACTOR_LINK procedure, 12-33

DBMS_MACADM.DELETE_FACTOR_TYPE procedure, 12-34

DBMS_MACADM.DELETE_IDENTITY procedure, 12-34

DBMS_MACADM.DELETE_IDENTITY_MAP procedure, 12-34

DBMS_MACADM.DELETE_MAC_POLICY_CASCADE procedure, 12-47

DBMS_MACADM.DELETE_OBJECT_FROM_REALM procedure, 12-6

DBMS_MACADM.DELETE_POLICY_FACTOR procedure, 12-48

DBMS_MACADM.DELETE_POLICY_LABEL procedure, 12-48

DBMS_MACADM.DELETE_REALM procedure, 12-7

DBMS_MACADM.DELETE_REALM_CASCADE procedure, 12-7

DBMS_MACADM.DELETE_ROLE procedure, 12-43

DBMS_MACADM.DELETE_RULE procedure, 12-15

DBMS_MACADM.DELETE_RULE_FROM_RULE_SET procedure, 12-15

DBMS_MACADM.DELETE_RULE_SET procedure, 12-16

DBMS_MACADM.DROP_DOMAIN_IDENTITY procedure, 12-35

DBMS_MACADM.GET_INSTANCE_INFO function, 12-36

DBMS_MACADM.GET_SESSION_INFO function, 12-37

DBMS_MACADM.RENAME_FACTOR procedure, 12-37

DBMS_MACADM.RENAME_FACTOR_TYPE procedure, 12-38

DBMS_MACADM.RENAME_REALM procedure, 12-8

DBMS_MACADM.RENAME_ROLE
 procedure, 12-43
 DBMS_MACADM.RENAME_RULE
 procedure, 12-16
 DBMS_MACADM.RENAME_RULE_SET
 procedure, 12-17
 DBMS_MACADM.SYNC_RULES procedure, 12-18
 DBMS_MACADM.UPDATE_COMMAND_RULE
 procedure, 12-22
 DBMS_MACADM.UPDATE_FACTOR
 procedure, 12-38
 DBMS_MACADM.UPDATE_FACTOR_TYPE
 procedure, 12-40
 DBMS_MACADM.UPDATE_IDENTITY
 procedure, 12-41
 DBMS_MACADM.UPDATE_MAC_POLICY
 procedure, 12-49
 DBMS_MACADM.UPDATE_REALM
 procedure, 12-8
 DBMS_MACADM.UPDATE_REALM_AUTH
 procedure, 12-9
 DBMS_MACADM.UPDATE_ROLE
 procedure, 12-44
 DBMS_MACADM.UPDATE_RULE
 procedure, 12-18
 DBMS_MACADM.UPDATE_RULE_SET
 procedure, 12-19
 DBMS_MACSEC_ROLES package
 about, 13-1
 functions, listed, 13-1
 DBMS_MACSEC_ROLES.CAN_SET_ROLE
 function, 13-1
 DBMS_MACSEC_ROLES.SET_ROLE
 procedure, 13-2
 DBMS_MACUTL package
 about, 14-1
 constants (fields)
 examples, 14-4
 listed, 14-1
 procedures and functions, listed, 14-5
 DBMS_MACUTL.CHECK_DVSYSDML_ALLOWED
 procedure, 14-6
 DBMS_MACUTL.GET_CODE_VALUE
 function, 14-7
 DBMS_MACUTL.GET_DAY function, 14-9
 DBMS_MACUTL.GET_HOUR function, 14-9
 DBMS_MACUTL.GET_MINUTE function, 14-8
 DBMS_MACUTL.GET_MONTH function, 14-10
 DBMS_MACUTL.GET_SECOND function, 14-7
 DBMS_MACUTL.GET_YEAR function, 14-10
 DBMS_MACUTL.IS_ALPHA function, 14-11
 DBMS_MACUTL.IS_DIGIT function, 14-11
 DBMS_MACUTL.IS_DVSYSDML_OWNER
 function, 14-12
 DBMS_MACUTL.IS_OLS_INSTALLED
 function, 14-13
 DBMS_MACUTL.IS_OLS_INSTALLED_VARCHAR
 function, 14-13
 DBMS_MACUTL.USER_HAS_OBJECT_PRIVILEGE
 function, 14-13
 DBMS_MACUTL.USER_HAS_ROLE function, 14-14
 DBMS_MACUTL.USER_HAS_ROLE_VARCHAR
 function, 14-15
 DBMS_MACUTL.USER_HAS_SYSTEM_PRIVILEGE
 function, 14-16
 DBMS_RLS PL/SQL package
 Oracle Database Vault impact on, 2-6
 DBSNMP user account
 realm for, 4-2
 DELETE_CATALOG_ROLE role, 17-11
 Denial of Service (DoS) attacks
 reports
 System Resource Limits Report, 17-12
 Tablespace Quotas Report, 17-14
 Direct and Indirect System Privileges By Database
 Account Report, 17-7
 Direct Object Privileges Report, 17-6
 direct system privileges, 17-7
 Direct System Privileges By Database Account
 Report, 17-7
 disabling system features with Disabled default rule
 set, 5-2
 domains
 defined with factors, 7-1
 finding database domain with
 DVF.F\$DATABASE_DOMAIN, 15-8
 finding with DVF.F\$DOMAIN, 15-9
 DROP ROLE statement
 monitoring, 16-3
 DROP TABLE statement
 monitoring, 16-2
 DROP USER statement
 monitoring, 16-3
 dual key connection, dual key security
 See two-person integrity (TPI)
 DV_ACCTMGR role
 about, 11-6
 adding to Data Dictionary realm, 3-7
 DV_ADMIN role, 11-6
 DV_OWNER role, 11-4
 DV_PUBLIC role, 11-7
 DV_REALM_OWNER role, 11-5
 DV_REALM_RESOURCE role, 11-5
 DV_SECANALYST role, 11-8
 DVA
 See Oracle Database Vault Administrator
 DVCA
 See Oracle Database Vault Configuration Assistant
 DVF account
 auditing policy, A-7
 database accounts
 DVF, 11-9
 DVF schema, 15-5
 about, 11-2
 auditing policy, A-7
 DVSYSDML account, 11-9
 auditing policy, A-7
 DVSYSDML schema
 about, 11-1
 auditing policy, A-8

- command rules, 6-5
- DV_OWNER role, 11-4
- factor validation methods, 7-7

E

- email alert in rule set, 5-9
- enabling system features with Enabled default rule set, 5-2
- encrypted information, 17-14
- enterprise identities, Enterprise_Identity default factor, 7-3
- Enterprise Manager
 - See Oracle Enterprise Manager
- errors
 - factor error options, 7-9
 - rule set error options, 5-4
- event handler
 - rule sets, 5-4
- examples
 - DBMS_MACUTL constants, 14-4
 - email alert in rule set, 5-9
 - realms, 4-10
 - rule sets, 5-9
 - separation of duty matrix, C-2
 - See also tutorials
- EXECUTE ANY PROCEDURE privilege, securing for
 - Java stored procedures, C-9
- Execute Privileges to Strong SYS Packages
 - Report, 17-7
- EXECUTE_CATALOG_ROLE role, 17-11
- EXEMPT ACCESS POLICY system privilege, 17-10

F

- Factor Audit Report, 17-4
- Factor Configuration Issues Report, 17-3
- Factor Without Identities Report, 17-3
- factors
 - about, 7-1
 - assignment, 7-7
 - disabled rule set, 17-3
 - incomplete rule set, 17-3
 - validate, 7-7
 - assignment operation, 17-4
 - audit events, custom, A-1
 - audit options, 7-8
 - child factors
 - about, 7-5
 - Factor Configuration Issues Report, 17-3
 - mapping, 7-12
 - creating, 7-3
 - creating names, 7-4
 - data dictionary views, 7-29
 - DBMS_MACUTL constants, example of, 14-5
 - default factors, 7-2
 - default factors not showing in Database Vault Administrator, D-2
 - deleting, 7-14
 - domain, finding with DVF.F\$DOMAIN, 15-9
 - editing, 7-9
 - error options, 7-9
 - evaluate, 7-6
 - evaluation operation, 17-4
 - factor type
 - about, 7-4
 - selecting, 7-4
 - factor-identity pair mapping, 7-13
 - functionality, 7-14
 - functions
 - DBMS_MACUTL (utility), 14-1 to 14-6
 - DBMS_MACUTL constants (fields), 14-1
 - guidelines, 7-27
 - identifying using child factors, 7-12
 - identities
 - about, 7-5, 7-10
 - adding to factor, 7-10
 - assigning, 7-6
 - configuring, 7-10
 - creating, 7-10
 - data dictionary views, 7-29
 - database session, 7-6
 - deleting, 7-12
 - determining with DVSYS.GET_FACTOR, 7-6
 - editing, 7-12
 - enterprise-wide users, 15-10
 - how factor identities work, 7-5
 - labels, 7-6, 7-12
 - mapping, about, 7-12
 - mapping, identified, 7-5
 - mapping, procedure, 7-13
 - mapping, tutorial, 7-22
 - Oracle Label Security labels, 7-6
 - reports, 7-29
 - resolving, 7-5
 - retrieval methods, 7-7
 - setting dynamically, 15-2
 - trust levels, 7-5, 7-11
 - with Oracle Label Security, 7-5
 - initialization, command rules, 6-2
 - invalid audit options, 17-3
 - label, 17-3
 - naming conventions, 7-4
 - Oracle Virtual Private Database, attaching factors to, 9-2
 - parent factors, 7-5
 - performance effect, 7-28
 - procedures
 - DBMS_MACADM (configuration), 12-23
 - process flow, 7-14
 - propagating policies to other databases, 10-2
 - reports, 7-29
 - retrieving, 7-15
 - retrieving with DVSYS.GET_FACTOR, 15-2
 - rule sets
 - selecting, 7-8
 - used with, 7-1
 - setting, 7-16
 - setting with DVSYS.SET_FACTOR, 15-2
 - troubleshooting

- auditing report, 17-4
- configuration problems, D-2
- tips, D-1
- type (category of factor), 7-4
- validating, 7-7
- values (identities), 7-1
- views
 - DBA_DV_CODE, 11-12
 - DBA_DV_FACTOR_LINK, 11-15
 - DBA_DV_FACTOR_TYPE, 11-16
 - DBA_DV_IDENTITY, 11-16
 - DBA_DV_IDENTITY_MAP, 11-17
 - DBA_DV_MAC_POLICY_FACTOR, 11-18
- ways to assign, 7-5
- See also* rule sets
- fine-grained auditing
 - DBMS_RLS package, who can grant EXECUTE on, 2-6
- functions
 - command rules
 - DBMS_MACUTL (utility), 14-1 to 14-6
 - DVSYS schema enabling, 15-1
 - factors
 - DBMS_MACUTL (utility), 14-1 to 14-6
 - Oracle Label Security policy
 - DBMS_MACADM (configuration), 12-44
 - realms
 - DBMS_MACUTL (utility), 14-1 to 14-6
 - rule sets
 - DBMS_MACADM (configuration), 12-10
 - DBMS_MACUTL (utility), 14-1 to 14-6
 - PL/SQL functions for inspecting SQL, 15-13
 - secure application roles
 - DBMS_MACADM (configuration), 12-42
 - DBMS_MACSEC_ROLES (configuration), 13-1
 - DBMS_MACUTL (utility), 14-1

G

- general security reports, 17-5 to 17-11
- GRANT statement
 - monitoring, 16-3
- guidelines
 - ALTER SESSION privilege, C-8
 - ALTER SYSTEM privilege, C-8
 - command rules, 6-8
 - DBMS_FILE_TRANSFER package, C-8
 - factors, 7-27
 - general security, C-1
 - Java stored procedures, C-9
 - LogMiner packages, C-8
 - managing DV_OWNER and DV_ACCTMGR accounts, 11-9
 - operating system access, C-5
 - Oracle software owner, C-6
 - performance effect, 7-28
 - realms, 4-11
 - root access, C-5
 - root user access, C-6
 - rule sets, 5-17

- secure application roles, 8-3
- SYSDBA access, C-6
- SYSDBA privilege, limiting, C-4
- SYSOPER access, C-6
- SYSTEM schema and application tables, C-4
- SYSTEM user account, C-4
- trusted accounts and roles, C-5
- using Database Vault in a production environment, C-6
- UTL_FILE package, C-8

H

- hackers
 - See* security attacks
- Hierarchical System Privileges by Database Account Report, 17-7
- host names
 - finding with DVF.F\$DATABASE_HOSTNAME, 15-8

I

- identities
 - See* factors, identities
- Identity Configuration Issues Report, 17-3
- IDLE_TIME resource profile, 17-12
- incomplete rule set, 17-3
 - role enablement, 17-4
- initialization parameters
 - modified after installation, 2-1
 - modified by Oracle Database Vault, 2-1
 - reports, 17-11 to 17-12
- insider threats
 - See* intruders
- installations
 - security considerations, C-7
- intruders
 - See* security attacks
- IP addresses
 - Client_IP default factor, 7-2
 - defined with factors, 7-1

J

- Java Policy Grants Report, 17-13
- Java stored procedures
 - EXECUTE ANY PROCEDURE privilege, C-9
 - guidelines on managing, C-9
 - realm protections, 4-9

L

- Label Security Integration Audit Report, 17-5
- labels
 - about, 7-11
 - See also* Oracle Label Security
- languages
 - consistency between Oracle Database and operating system, D-2
 - finding with DVF.F\$LANG, 15-11

- finding with DVF.F\$LANGUAGE, 15-11
- name
 - Lang default factor, 7-3
 - Language default factor, 7-3
- LBACSYS account
 - about, 11-9
 - auditing policy, A-7
 - factor integration with OLS policy requirement, 9-3
 - See also* Oracle Label Security
- LBACSYS schema
 - auditing policy, A-8
- listener, starting, B-3
- locked out accounts, solution for, B-1
- log files
 - database process, 3-4
 - Database Vault log files, A-2
- logging on
 - Oracle Database Vault
 - Oracle Database Vault Owner account, 3-4
 - reports, Core Database Audit Report, 17-12
- LogMiner packages
 - guidelines, C-8
- lsnrctl process, starting, B-3

M

- maintenance on Oracle Database Vault, B-1
- managing user accounts and profiles on own account,
 - Can Maintain Own Accounts default rule set, 5-2
- managing user accounts and profiles, Can Maintain
 - Accounts/Profiles default rule set, 5-2
- mapping identities, 7-13
- monitoring
 - activities, 16-1 to 16-4

N

- naming conventions
 - factors, 7-4
 - realms, 4-2
 - rule sets, 5-3
 - rules, 5-6
- network protocol
 - finding with DVF.F\$NETWORK_PROTOCOL, 15-12
- network protocol, Network_Protocol default factor, 7-3
- NOAUDIT statement
 - monitoring, 16-3
- Non-Owner Object Trigger Report, 17-14
- nonsystem database accounts, 17-6

O

- Object Access By PUBLIC Report, 17-6
- Object Access Not By PUBLIC Report, 17-6
- Object Dependencies Report, 17-6
- object owners
 - nonexistent, 17-3

- reports
 - Command Rule Configuration Issues Report, 17-3
- object privilege reports, 17-5 to 17-6
- objects
 - command rule objects
 - name, 6-5
 - owner, 6-4
 - processing, 6-5
 - dynamic SQL use, 17-13
 - monitoring, 16-3
 - object names
 - finding with DVSYS.DV_DICT_OBJ_NAME, 15-16
 - object owners
 - finding with DVSYS.DV_DICT_OBJ_OWNER, 15-15
 - object privileges
 - checking with DBMS_MACUTL.USER_HAS_OBJECT_PRIVILEGE function, 14-6
- realms
 - object name, 4-4
 - object owner, 4-4
 - object type, 4-4
 - procedures for registering, 12-2
- reports
 - Access to Sensitive Objects Report, 17-8
 - Accounts with SYSDBA/SYSOPER Privilege Report, 17-8
 - Direct Object Privileges Report, 17-6
 - Execute Privileges to Strong SYS Packages Report, 17-7
 - Non-Owner Object Trigger Report, 17-14
 - Object Access By PUBLIC Report, 17-6
 - Object Access Not By PUBLIC Report, 17-6
 - Object Dependencies Report, 17-6
 - Objects Dependent on Dynamic SQL Report, 17-13
 - OS Directory Objects Report, 17-13
 - privilege, 17-5 to 17-6
 - Public Execute Privilege To SYS PL/SQL Procedures Report, 17-8
 - sensitive, 17-7 to 17-9
 - System Privileges By Privilege Report, 17-7
- types
 - finding with DVSYS.DV_DICT_OBJ_TYPE, 15-15
- views, DBA_DV_REALM_OBJECT, 11-21
- See also* database objects
- Objects Dependent on Dynamic SQL Report, 17-13
- OEM
 - See* Oracle Enterprise Manager (OEM)
- OLS
 - See* Oracle Label Security
- operating system access
 - guideline for using with Database Vault, C-5
- operating systems
 - reports
 - OS Directory Objects Report, 17-13
 - OS Security Vulnerability Privileges

- Report, 17-11
 - vulnerabilities, 17-11
 - Oracle Data Pump
 - archiving the Oracle Database Vault audit trail with, A-4
 - Oracle Database Vault
 - about, 1-1
 - components, 1-2
 - disabling
 - checking if disabled, B-2
 - procedures for, B-1
 - reasons for, B-1
 - enabling
 - checking if enabled, B-2
 - procedures for, B-1
 - frequently asked questions, 1-1
 - integrating with other Oracle products, 9-1
 - maintenance, B-1
 - Oracle Database installation, affect on, 2-1
 - Oracle Database Vault Administrator
 - starting without Oracle Enterprise Manager, 3-4
 - Oracle Database Vault Administrator (DVA)
 - logging on from Oracle Enterprise Manager Database Control, 3-1
 - logging on from Oracle Enterprise Manager Grid Control, 3-2
 - logging on without Oracle Enterprise Manager, 3-4
 - Oracle Database Vault Configuration Assistant (DVCA)
 - about, 1-3
 - Oracle Database Vault Owner account
 - example of logging on with, 3-4
 - Oracle Enterprise Manager
 - DBSNMP account
 - realm for, 4-2
 - default realm used for, 4-2
 - performance tools, 4-13
 - setting URL for Database Vault Administrator, 10-1
 - SYSMAN account
 - realm for, 4-2
 - Oracle Enterprise Manager Database Control
 - starting Oracle Database Vault from, 3-1
 - Oracle Enterprise Manager Grid Control
 - propagating Database Vault policies to other databases, 10-2
 - starting Oracle Database Vault from, 3-2
 - Oracle Enterprise User Security, integrating with Oracle Database Vault, 9-1
 - Oracle Label Security (OLS)
 - audit events, custom, A-1
 - checking if installed using DBMS_MACUTL functions, 14-6
 - data dictionary views, 9-9
 - database option, 1-3
 - functions
 - DBMS_MACUTL (utility), 14-1
 - how Database Vault integrates with, 9-2
 - initialization, command rules, 6-2
 - integration with Oracle Database Vault
 - example, 9-5
 - Label Security Integration Audit Report, 17-5
 - procedure, 9-3
 - requirements, 9-3
 - labels
 - about, 7-11
 - determining with GET_FACTOR_LABEL, 15-5
 - invalid label identities, 17-3
 - policies
 - accounts that bypass, 17-10
 - monitoring policy changes, 16-3
 - nonexistent, 17-3
 - Oracle Policy Manager, 1-3
 - procedures
 - DBMS_MACADM (configuration), 12-44
 - reports, 9-9
 - views
 - DBA_DV_MAC_POLICY, 11-17
 - DBA_DV_MAC_POLICY_FACTOR, 11-18
 - DBA_DV_POLICY_LABEL, 11-19
 - See also* LBACSYS account
 - Oracle Policy Manager
 - used with Oracle Label Security, 1-3
 - Oracle Real Application Clusters
 - compatibility with Oracle Database Vault, 1-1
 - multiple factor identities, 7-5
 - Oracle Recovery Manager (RMAN)
 - in an Oracle Database Vault environment, 10-5
 - Oracle software owner, guidelines on managing, C-6
 - Oracle Virtual Private Database
 - DBMS_RLS package, who can grant EXECUTE on, 2-6
 - Oracle Virtual Private Database (VPD)
 - accounts that bypass, 17-10
 - factors, attaching to, 9-2
 - GRANT EXECUTE privileges with Grant VPD Administration default rule set, 5-2
 - using Database Vault factors with Oracle Label Security, 9-5
 - OS Directory Objects Report, 17-13
 - OS Security Vulnerability Privileges Report, 17-11
 - OS_AUTHENT_PREFIX initialization parameter, 2-2
 - OS_ROLES initialization parameter, 2-2
- ## P
-
- parameters
 - modified after installation, 2-1
 - reports
 - Security Related Database Parameters Report, 17-11
 - parent factors
 - See* factors
 - Password History Access Report, 17-11
 - passwords
 - forgotten, solution for, B-1

- reports, 17-12
 - Database Account Default Password Report, 17-12
 - Password History Access Report, 17-11
 - Username/Password Tables Report, 17-14
- patches
 - security consideration, C-7
 - two-person integrity used for, 5-13
- performance effect
 - command rules, 6-9
 - realms, 4-13
 - reports
 - Resource Profiles Report, 17-12
 - System Resource Limits Report, 17-12
 - rule sets, 5-18
 - secure application roles, 8-8
- performance tools
 - Database Control, realms, 4-13
 - Oracle Enterprise Manager
 - command rules, 6-9
 - factors, 7-28
 - realms, 4-13
 - rule sets, 5-18
 - secure application roles, 8-8
 - Oracle Enterprise Manager Database Control
 - command rules, 6-9
 - factors, 7-28
 - rule sets, 5-18
 - secure application roles, 8-8
 - STATSPACK utility
 - command rules, 6-9
 - factors, 7-28
 - realms, 4-13
 - rule sets, 5-18
 - secure application roles, 8-8
 - TKPROF utility
 - command rules, 6-9
 - factors, 7-28
 - realms, 4-13
 - rule sets, 5-18
 - secure application roles, 8-8
- PL/SQL
 - packages
 - summarized, 15-17
 - unwrapped bodies, 17-13
 - Unwrapped PL/SQL Package Bodies Report, 17-13
 - PL/SQL factor functions, 15-5
 - policy changes, monitoring, 16-3, 16-4
 - port number
 - finding, 3-4
 - Oracle Database Vault, 3-4
 - privileges
 - ANY privileges, 11-7
 - checking with DBMS_MACUTL.USER_HAS_OBJECT_PRIVILEGE function, 14-6
 - existing users and roles, Database Vault affect on, 2-4
 - least privilege principle
 - violations to, 17-13
 - monitoring
 - GRANT statement, 16-3
 - REVOKE statement, 16-3
 - Oracle Database Vault restricting, 2-3
 - prevented from existing users and roles, 2-5
 - reports
 - Accounts With DBA Roles Report, 17-10
 - ALTER SYSTEM or ALTER SESSION Report, 17-10
 - ANY System Privileges for Database Accounts Report, 17-7
 - AUDIT Privileges Report, 17-11
 - Database Accounts With Catalog Roles Report, 17-11
 - Direct and Indirect System Privileges By Database Account Report, 17-7
 - Direct System Privileges By Database Account Report, 17-7
 - Hierarchical System Privileges By Database Account Report, 17-7
 - listed, 17-9
 - OS Directory Objects Report, 17-13
 - Privileges Distribution By Grantee Report, 17-9
 - Privileges Distribution By Grantee, Owner Report, 17-9
 - Privileges Distribution By Grantee, Owner, Privilege Report, 17-9
 - WITH ADMIN Privilege Grants Report, 17-10
 - WITH GRANT Privileges Report, 17-11
 - roles
 - checking with DBMS_MACUTL.USER_HAS_ROLE_VARCHAR function, 14-6
 - system
 - checking with DBMS_MACUTL.USER_HAS_SYSTEM_PRIVILEGE function, 14-6
 - views
 - DBA_DV_PUB_PRIVS, 11-19
 - DBA_DV_USER_PRIVS, 11-24
 - DBA_DV_USER_PRIVS_ALL, 11-25
 - Privileges Distribution By Grantee Report, 17-9
 - Privileges Distribution By Grantee, Owner Report, 17-9
 - Privileges Distribution By Grantee, Owner, Privilege Report, 17-9
 - privileges using external password, 17-8
 - problems, diagnosing, D-1
 - procedures
 - command rules
 - DBMS_MACADM (configuration), 12-20
 - factors
 - DBMS_MACADM (configuration), 12-23
 - realms
 - DBMS_MACADM (configuration), 12-1
 - production environments
 - guidelines for securing, C-6
 - profiles, 17-11 to 17-12
 - PUBLIC access to realms, 4-9
 - Public Execute Privilege To SYS PL/SQL Procedures Report, 17-8

Q

quotas
 tablespace, 17-14

R

RAC

See Oracle Real Application Clusters

Realm Audit Report, 17-4

Realm Authorization Configuration Issues
 Report, 17-3

realms

about, 4-1
adding roles to as grantees, 4-12
audit events, custom, A-1
authentication-related procedures, 12-2
authorization
 how realm authorizations work, 4-9
 process flow, 4-9
 troubleshooting, D-2
 updating with DBMS_MACADM.UPDATE_
 REALM_AUTH, 12-2
authorizations
 grantee, 4-6
 rule set, 4-6
creating, 4-2
creating names, 4-2
data dictionary views, 4-13
DBMS_MACUTL constants, example of, 14-4
default realms
 listed, 4-2
 not showing in Database Vault
 Administrator, D-2
deleting, 4-7
disabling, 4-7
DV_REALM_OWNER role, 11-5
DV_REALM_RESOURCE role, 11-5
editing, 4-3
effect on other Oracle Database Vault
 components, 4-11
enabling, 4-7
example, 4-10
functions
 DBMS_MACUTL (utility), 14-1 to 14-6
 DBMS_MACUTL constants (fields), 14-1
guidelines, 4-11
how realms work, 4-8
Java stored procedures, 4-9
naming conventions, 4-2
object-related procedures, 12-2
performance effect, 4-13
procedures
 DBMS_MACADM (configuration), 12-1
 process flow, 4-8
 propagating policies to other databases, 10-2
 protection after object is dropped, 4-12
 PUBLIC access, 4-9
 realm authorizations
 about, 4-5
 realm secured objects

deleting, 4-5
editing, 4-5
object name, 4-4
object owner, 4-4
object type, 4-4

realm system authorizations

creating, 4-6
deleting, 4-7
editing, 4-7

realm-secured objects, 4-4

reports, 4-13

roles

DV_REALM_OWNER, 11-5
DV_REALM_RESOURCE, 11-5

secured object, 17-3

SYS access, C-8

territory a realm protects, 4-4

troubleshooting, D-1, D-2

tutorial, 3-6

updating with DBMS_MACADM.UPDATE_
 REALM, 12-2

views

DBA_DV_CODE, 11-11
DBA_DV_REALM, 11-20
DBA_DV_REALM_AUTH, 11-20
DBA_DV_REALM_OBJECT, 11-21

See also rule sets

RECOVERY_CATALOG_OWNER role, 17-11

REMOTE_LOGIN_PASSWORDFILE initialization
 parameter, 2-2

REMOTE_OS_AUTHENT initialization
 parameter, 2-3

REMOTE_OS_ROLES initialization parameter, 2-3

reporting menu

 report results page, 17-2

 parameter, 17-2

reports

 about, 17-1

 Access to Sensitive Objects Report, 17-8

 Accounts With DBA Roles Report, 17-10

 Accounts with SYSDBA/SYSOPER Privilege
 Report, 17-8

 ALTER SYSTEM or ALTER SESSION
 Report, 17-10

 ANY System Privileges for Database Accounts
 Report, 17-7

 AUDIT Privileges Report, 17-11

 auditing, 17-4 to 17-5

 BECOME USER Report, 17-10

 categories of, 17-1

 Command Rule Audit Report, 17-4

 Command Rule Configuration Issues
 Report, 17-3

 Core Database Audit Report, 17-12

 Core Database Vault Audit Trail Report, 17-5

 Database Account Default Password
 Report, 17-12

 Database Account Status Report, 17-12

 Database Accounts With Catalog Roles
 Report, 17-11

- Direct and Indirect System Privileges By Database Account Report, 17-7
- Direct Object Privileges Report, 17-6
- Direct System Privileges By Database Account Report, 17-7
- Enterprise Manager Grid Control, 10-5
- Execute Privileges to Strong SYS Packages Report, 17-7
- Factor Audit Report, 17-4
- Factor Configuration Issues Report, 17-3
- Factor Without Identities, 17-3
- general security, 17-5 to 17-11
- Hierarchical System Privileges by Database Account Report, 17-7
- Identity Configuration Issues Report, 17-3
- Java Policy Grants Report, 17-13
- Label Security Integration Audit Report, 17-5
- Non-Owner Object Trigger Report, 17-14
- Object Access By PUBLIC Report, 17-6
- Object Access Not By PUBLIC Report, 17-6
- Object Dependencies Report, 17-6
- Objects Dependent on Dynamic SQL Report, 17-13
- OS Directory Objects Report, 17-13
- OS Security Vulnerability Privileges, 17-11
- Password History Access Report, 17-11
- permissions for running, 17-1
- privilege management, 17-9
- Privileges Distribution By Grantee Report, 17-9
- Privileges Distribution By Grantee, Owner Report, 17-9
- Privileges Distribution By Grantee, Owner, Privilege Report, 17-9
- Public Execute Privilege To SYS PL/SQL Procedures Report, 17-8
- Realm Audit Report, 17-4
- Realm Authorization Configuration Issues Report, 17-3
- Resource Profiles Report, 17-12
- Roles/Accounts That Have a Given Role Report, 17-11
- Rule Set Configuration Issues Report, 17-4
- running, 17-1
- Secure Application Configuration Issues Report, 17-4
- Secure Application Role Audit Report, 17-5
- Security Policy Exemption Report, 17-10
- Security Related Database Parameters, 17-11
- security vulnerability, 17-12 to 17-14
- System Privileges By Privilege Report, 17-7
- System Resource Limits Report, 17-12
- Tablespace Quotas Report, 17-14
- Unwrapped PL/SQL Package Bodies Report, 17-13
- Username /Password Tables Report, 17-14
- WITH ADMIN Privileges Grants Report, 17-10
- WITH GRANT Privileges Report, 17-11
- required parameters page
- % wildcard, 17-2
- Resource Profiles Report, 17-12

- resources
 - reports
 - Resource Profiles Report, 17-12
 - System Resource Limits Report, 17-12
- REVOKE statement
 - monitoring, 16-3
- roles
 - adding to realms as grantees, 4-12
 - catalog-based, 17-11
 - Database Vault default roles, 11-2 to 11-8
 - privileges, checking with DBMS_MACUTL.USER_HAS_ROLE_VARCHAR function, 14-6
 - role enablement in incomplete rule set, 17-4
 - role-based system privileges, 17-7
 - See also* secure application roles
- Roles/Accounts That Have a Given Role Report, 17-11
- root access
 - guideline for using with Database Vault, C-5
- root access, guidelines on managing, C-6
- Rule Set Configuration Issues Report, 17-4
- rule sets
 - about, 5-1
 - adding existing rules, 5-7
 - audit options, 5-3
 - command rules
 - disabled, 17-3
 - selecting for, 6-5
 - used with, 6-1
 - CONNECT role configured incorrectly, solution for, B-1
 - creating, 5-2
 - rules in, 5-5
 - creating names, 5-3
 - data dictionary views, 5-18
 - DBMS_MACUTL constants, example of, 14-4
 - default rule sets, 5-2
 - default rule sets not showing in Database Vault Administrator, D-2
 - deleting
 - rule set, 5-7
 - rules from, 5-7
 - disabled for
 - factor assignment, 17-3
 - realm authorization, 17-3
 - editing
 - rule sets, 5-5
 - rules in, 5-6
 - error options, 5-4
 - evaluation of rules, 5-5
 - evaluation options, 5-3
 - event handlers, 5-4
 - events firing, finding with DVSYS.DV_SYSEVENT, 15-14
 - examples, 5-9
 - factors, selecting for, 7-8
 - factors, used with, 7-1
 - fail code, 5-4
 - fail message, 5-4
 - functions

- DBMS_MACADM (configuration), 12-10
- DBMS_MACUTL (utility), 14-1 to 14-6
- DBMS_MACUTL constants (fields), 14-1
- PL/SQL functions for rule sets, 15-13
- guidelines, 5-17
- how rule sets work, 5-8
- incomplete, 17-3
- naming conventions, 5-3
- nested rules, 5-8
- performance effect, 5-18
- procedures
 - DBMS_MACADM (configuration), 12-10
- process flow, 5-8
- propagating policies to other databases, 10-2
- reports, 5-18
- rules that exclude one user, 5-8
- troubleshooting, D-1, D-2
- views
 - DBA_DV_RULE, 11-22
 - DBA_DV_RULE_SET, 11-22
 - DBA_DV_RULE_SET_RULE, 11-24
- See also* command rules, factors, realms, rules, secure application roles
- rules
 - about, 5-5
 - creating, 5-5
 - creating names, 5-6
 - data dictionary views, 5-18
 - deleting from rule set, 5-7
 - editing, 5-6
 - existing rules, adding to rule set, 5-7
 - naming conventions, 5-6
 - nested within a rule set, 5-8
 - removing from rule set, 5-7
 - reports, 5-18
 - troubleshooting, D-1
 - views
 - DBA_DV_RULE, 11-22
 - DBA_DV_RULE_SET_RULE, 11-24
- See also* rule sets
- rules sets
 - audit event, custom, A-1

S

- schemas
 - DVF, 11-2
 - DVSY, 11-1
- Secure Application Configuration Issues Report, 17-4
- secure application role, 8-1
- Secure Application Role Audit Report, 17-5
- secure application roles
 - audit event, custom, A-1
 - creating, 8-2
 - data dictionary view, 8-9
 - DBMS_MACSEC_ROLES.SET_ROLE function, 8-3
 - deleting, 8-3
 - functionality, 8-4

- functions
 - DBMS_MACADM (configuration), 12-42
 - DBMS_MACSEC_ROLES (configuration), 13-1
 - DBMS_MACSEC_ROLES package, 13-1
 - DBMS_MACUTL (utility), 14-1
 - DBMS_MACUTL constants (fields), 14-1
- guidelines on managing, 8-3
- performance effect, 8-8
- procedure
 - DBMS_MACADM (configuration), 12-42
- procedures and functions
 - DBMS_MACUTL (utility), 14-5
- propagating policies to other databases, 10-2
- reports, 8-8
 - Rule Set Configuration Issues Report, 17-4
- troubleshooting, D-2
- troubleshooting with auditing report, 17-5
- tutorial, 8-4
- views
 - DBA_DV_ROLE, 11-21
- See also* roles, rule sets
- security attacks
 - Denial of Service (DoS) attacks
 - finding system resource limits, 17-12
 - Denial of Service attacks
 - finding tablespace quotas, 17-14
 - eliminating audit trail, 17-11
 - monitoring security violations, 16-1
 - Oracle Database Vault addressing insider threats, 1-5
- reports
 - AUDIT Privileges Report, 17-11
 - Objects Dependent on Dynamic SQL Report, 17-13
 - Privileges Distribution By Grantee, Owner Report, 17-9
 - Unwrapped PL/SQL Package Bodies Report, 17-13
- SQL injection attacks, 17-13
- tracking
 - with factor auditing, 7-9
 - with rule set auditing, 5-4
- security policies
 - monitoring changes, 16-4
- security policies, Oracle Database Vault addressing, 1-5
- Security Policy Exemption Report, 17-10
- Security Related Database Parameters Report, 17-11
- security violations
 - monitoring attempts, 16-1
- security vulnerabilities
 - how Database Vault addresses, 1-6
 - operating systems, 17-11
 - reports, 17-12 to 17-14
 - Security Related Database Parameters Report, 17-11
 - root operating system directory, 17-13
- SELECT statement
 - controlling with command rules, 6-1
- SELECT_CATALOG_ROLE role, 17-11

- sensitive objects reports, 17-7 to 17-9
- separation of duty concept
 - about, C-1
 - command rules, 6-2
 - database accounts, 11-9
 - database accounts, suggested, 11-9
 - database roles, 2-3
 - Database Vault Account Manager role, 11-9
 - documenting tasks, C-3
 - example matrix, C-2
 - Oracle Database Vault enforcing, 1-1
 - realms, 1-6
 - restricting privileges, 2-3
 - roles, 11-2
 - tasks in Oracle Database Vault environment, C-1
- sessions
 - audit events, custom, A-1
 - DBMS_MACUTL fields, 14-2
 - finding session user with DVF.F\$SESSION_
 - USER, 15-13
 - restricting data based on, 7-22
 - retrieving information with functions, 12-24
- SQL injection attacks, detecting with Object
 - Dependent on Dynamic SQL Report, 17-13
- SQL statements
 - default command rules that protect, 6-2
- SQL text, finding with DVSYS.DV_SQL_
 - TEXT, 15-16
- SQL92_SECURITY initialization parameter, 2-3
- subfactors
 - See* child factors under factors topic
- SYS access
 - realms, security consideration, C-8
- SYS schema
 - command rules, 6-5
- SYS user account
 - adding to realm authorization, 4-12
- SYS.AUD\$ table
 - location for Oracle Database Vault, 2-6
 - object owner for realm protection, 4-4
 - protecting with realm, 2-6
- SYSDBA access
 - guidelines on managing, C-6
 - operating system authentication, security
 - consideration, C-7
- SYSDBA privilege
 - limiting, importance of, C-4
- SYS.FGA_LOG\$ table
 - protecting with realm, 2-6
- SYSMAN user account
 - realm for, 4-2
- SYSOPER access
 - guidelines on managing, C-6
- system features
 - disabling with Disabled rule set, 5-2
 - enabling with Enabled rule set, 5-2
- system privileges
 - checking with DBMS_MACUTL.USER_HAS_
 - SYSTEM_PRIVILEGE function, 14-6
 - reports

- System Privileges By Privileges Report, 17-7
- System Privileges By Privilege Report, 17-7
- System Resource Limits Report, 17-12
- system root access, guideline on managing, C-6
- SYSTEM schema
 - application tables in, C-4
- SYSTEM user account
 - guidelines for using with Database Vault, C-4
- SYSTEM.AUD\$ table
 - location for Oracle Database Vault, 2-6

T

- tablespace quotas, 17-14
- Tablespace Quotas Report, 17-14
- third party products, affected by Oracle Database
 - Vault, B-1
- time data
 - DBMS_MACUTL functions, 14-5
- trace files, D-1
 - about, D-1
 - enabling, D-1
- triggers
 - different from object owner account, 17-14
 - reports, Non-Owner Object Trigger Report, 17-14
- troubleshooting
 - access security sessions, 17-5
 - auditing reports, using, 17-4
 - checking trace files, D-1
 - command rules, D-1
 - Database Vault Administrator not showing default
 - realms, command rules, rule sets, or
 - factors, D-2
 - events, D-1
 - factors, D-1
 - general diagnostic tips, D-1
 - locked out accounts, B-1
 - passwords, forgotten, B-1
 - realms, D-1
 - rule sets, D-1
 - rules, D-1
 - secure application roles, 17-5
- trust levels
 - about, 7-11
 - determining for identities with DVSYS.GET_
 - TRUST_LEVEL_FOR_IDENTITY, 15-3
 - determining with DVSYS.GET_TRUST_
 - LEVEL, 15-3
 - factor identity, 7-11
 - factors, 7-11
 - for factor and identity requested, 15-3
 - identities, 7-5
 - of current session identity, 15-3
- trusted users
 - accounts and roles that should be
 - limited, C-5 to C-6
 - default for Oracle Database Vault, C-5
- tutorials
 - access, granting with secure application roles, 8-4
 - ad hoc tool access, preventing, 7-17

- configuring two-person integrity (TPI), 5-13
- Database Vault factors with Virtual Private Database and Oracle Label Security, 9-5
- email alert in rule set, 5-9
- factors, mapping identities, 7-22
- Oracle Label Security integration with Oracle Database Vault, 9-5
- restricting access based on session data, 7-22
- restricting user activities with command rules, 6-6
- schema, protecting with a realm, 3-6
- See also* examples
- two-man rule security
 - See* two-person integrity (TPI)
- two-person integrity (TPI)
 - about, 5-13
 - configuring with a rule set, 5-13

U

- Unwrapped PL/SQL Package Bodies Report, 17-13
- user names
 - reports, Username/Password Tables Report, 17-14
- USER_HISTORY\$ table, 17-11
- Username/Password Tables Report, 17-14
- users
 - enterprise identities, finding with DVF.F\$PROXY_ENTERPRISE_IDENTITY, 15-12
 - finding session user with DVF.F\$SESSION_USER, 15-13
 - login user name, finding with DVSYS.DV_LOGIN_USER, 15-14
 - restricting access by factor identity, 7-22
- utility functions
 - See* DBMS_MACUTL package
- UTL_FILE object, 17-6
- UTL_FILE package, guidelines on managing, C-8

V

- views
 - Oracle Database Vault-specific views, 11-10 to 11-25
 - See also* names beginning with DBA_DV
- VPD
 - See* Oracle Virtual Private Database (VPD)

W

- wildcard, %, 17-2
- WITH ADMIN Privileges Grants Report, 17-10
- WITH ADMIN status, 17-7
- WITH GRANT clause, 17-11
- WITH GRANT Privileges Report, 17-11

