

SPARCcenter 2000: POST User's Guide



Sun Microsystems, Inc.
2550 Garcia Avenue
Mountain View, CA 94043
U.S.A.

Part No: 800-7481-10
Revision A, May 1993

© 1993 by Sun Microsystems, Inc.
2550 Garcia Avenue, Mountain View, California 94043-1100 U.S.A

All rights reserved. This product and related documentation is protected by copyright and distributed under licenses restricting its use, copying, distribution and decompilation. No part of this product or related documentation may be reproduced in any form by any means without prior written authorization of Sun and its licensors, if any.

Portions of this product may be derived from the UNIX® and Berkeley 4.3 BSD systems, licensed from UNIX System Laboratories, Inc. and the University of California, respectively. Third party font software in this product is protected by copyright and licensed from Sun's Font Suppliers.

RESTRICTED RIGHTS LEGEND: Use, duplication, or disclosure by the United States Government is subject to restrictions set forth in DFARS 252.227-7013 (c)(1)(ii) and FAR 52.227-19.

The product described in this manual may be protected by one or more U.S. patents, foreign patents, or pending applications.

TRADEMARKS

Sun, Sun Microsystems, the Sun logo, SPARCcenter, and OpenBoot are trademarks or registered trademarks of Sun Microsystems, Inc. UNIX and OPEN LOOK are registered trademarks of UNIX System Laboratories, Inc. All other product names mentioned herein are the trademarks of their respective owners.

All SPARC trademarks, including the SCD Compliant Logo, are trademarks or registered trademarks of SPARC International, Inc. Products bearing SPARC trademarks are based upon an architecture developed by Sun Microsystems, Inc.

SuperSPARC™ is a trademark of SPARC International, used under license by Texas Instruments, Inc.

The OPEN LOOK® and Sun™ Graphical User Interfaces were developed by Sun Microsystems, Inc. for its users and licensees. Sun acknowledges the pioneering efforts of Xerox in researching and developing the concept of visual or graphical user interfaces for the computer industry. Sun holds a non-exclusive license from Xerox to the Xerox Graphical User Interface, which license also covers Sun's licensees who implement OPEN LOOK GUI's and otherwise comply with Sun's written license agreements.

X Window System is a trademark and product of the Massachusetts Institute of Technology.

THIS PUBLICATION IS PROVIDED "AS IS" WITHOUT WARRANTY OF ANY KIND, EITHER EXPRESS OR IMPLIED, INCLUDING, BUT NOT LIMITED TO, THE IMPLIED WARRANTIES OF MERCHANTABILITY, FITNESS FOR A PARTICULAR PURPOSE, OR NON-INFRINGEMENT.

THIS PUBLICATION COULD INCLUDE TECHNICAL INACCURACIES OR TYPOGRAPHICAL ERRORS. CHANGES ARE PERIODICALLY ADDED TO THE INFORMATION HEREIN; THESE CHANGES WILL BE INCORPORATED IN NEW EDITIONS OF THE PUBLICATION. SUN MICROSYSTEMS, INC. MAY MAKE IMPROVEMENTS AND/OR CHANGES IN THE PRODUCT(S) AND/OR THE PROGRAM(S) DESCRIBED IN THIS PUBLICATION AT ANY TIME.

Contents

Preface	vii
1. Overview of POST	1-1
1.1 Features of POST	1-1
1.2 Invoking POST.	1-2
System and Board LEDs	1-3
Error Messages	1-4
1.3 User Interface Commands	1-6
1.4 DEMON Menu Options	1-8
2. Test Descriptions.	2-1
2.1 Early POST Tests	2-2
2.2 Board Level Testing.	2-3
2.3 Loopback Exit	2-108
2.4 System Master Selection	2-113
2.5 System Level Testing.	2-113
2.6 System Reconfiguration	2-149

A. Sample POST Output	A-1
B. POST Design Concepts	B-1
B.1 Tests and Subtests	B-1
TestIDs and SubtestIDs	B-1
TestLists and Sequencers	B-2
Test Levels and Error Levels	B-2
Test Design	B-2
B.2 Phases of POST	B-3
B.3 Error Handling	B-5
B.4 Running POST	B-6
Glossary	Glossary-1
Index	Index-1

Tables

Table P-1	Typographic Conventions	viii
Table P-2	Related Documentation	ix
Table 1-1	Error Message Fields.....	1-4
Table 1-2	User Interface Key Commands	1-6

Preface

This manual, *SPARCcenter™ 2000 POST User's Guide*, describes the Power-On Self-Test (POST) software that is part of the diagnostics that test the SPARCcenter 2000 system. POST resides in the boot PROM (programmable read-only memory) on each SPARCcenter 2000 system board.

The information in this manual is for manufacturing and test engineers, repair depot and field service personnel, and diagnostics engineers who test the SPARCcenter 2000 system. The manual does not describe the system architecture; it assumes you are familiar with such hardware concepts. It provides some background information about the POST software, explains how you can use it, and contains detailed information about the tests that make up the software.

The manual is organized as follows:

Chapter 1: Overview of POST

The first chapter introduces you to POST and tells you how to use the software.

Chapter 2: Test Descriptions

The second chapter comprehensively describes the tests of the POST software. For each test, there is a test description, an LED pattern, the basic steps executed by the test, and a summary of error messages.

Appendix A: Sample POST Output

This appendix shows the results of a sample run of the POST software.

Appendix B: POST Design Concepts

This appendix describes the design principles for POST.

Glossary

The glossary enhances your understanding of POST by defining the SPARCcenter 2000 system terminology.

Typographic Changes and Symbols

The following table describes the font and symbol conventions used in this manual.

Table P-1 Typographic Conventions

Typeface or Symbol	Meaning	Example
AaBbCc123	The names of commands, files, and directories; on-screen computer output	Edit your <code>.login</code> file. Use <code>ls -a</code> to list all files. system% You have mail.
AaBbCc123	What you type, contrasted with on-screen computer output	system% su Password:
<i>AaBbCc123</i>	Command-line placeholder: replace with a real name or value	To delete a file, type <code>rm filename</code> .
<i>AaBbCc123</i>	Book titles, new words or terms, or words to be emphasized	Read Chapter 6 in <i>User's Guide</i> . These are called <i>class</i> options. You <i>must</i> be <code>root</code> to do this.

Code samples are included in boxes and may display the following:

%	UNIX C shell prompt	system%
#	Superuser prompt	system#

Related Manuals

For more information on the SPARCcenter 2000 system, refer to the documents listed below.

Table P-2 Related Documentation

Category	Manual Title	Part Number
Installation	<i>Memory Module Installation Guide</i>	801-2030
	<i>SPARCcenter 2000 Installation Manual</i>	800-6975
	<i>SPARCcenter 2000 System Board Manual</i>	800-6993
Diagnostics	<i>OpenBoot Command Reference</i>	800-6076
Service	<i>SPARCcenter 2000 Service Manual</i>	801-2007
Safety	<i>Sun SPARCcenter 2000 Cabinet and Data Center Expansion Cabinet</i>	801-3051
	<i>Regulatory Compliance Manual</i>	

Overview of POST



The SPARCcenter 2000 system's Power-On Self-Test (POST) software automatically tests the hardware resources of the system at power up or reset. POST resides in the boot PROM (programmable read-only memory) on each processor board in a SPARCcenter 2000 system. It runs as a stand-alone diagnostic and multiprocessor control program.

1.1 Features of POST

The SPARCcenter 2000 POST has a functionality far greater than any Sun™ system POST so far. Based on test results and on customer-defined resource preferences, POST selects the optimal system configuration using as many working resources as possible. It thus tries to provide a reliable machine configuration that can be used by the OpenBoot™ firmware.

POST has two goals:

- Offer the customer a wide platform for applications even if there are hardware failures
- Facilitate field replacement and factory repair.

To these ends, it records error history information about failed or marginally functional components and also provides field replaceable unit (FRU)-level diagnostic information. A detailed log, containing information about which tests have passed and which have failed, is available after each POST run. The FRU-level information is useful for both manufacturing and field service

personnel to determine functional components. The more detailed information, which is recorded from relevant hardware error registers each time there is a failure, helps fault diagnosis in the factory.

The most important new feature of POST that differentiates it from POST in earlier Sun machines is *automatic reconfiguration*. When POST finds hardware failures, it tries to reconfigure the system optimally, using as many functional I/O components as possible.

1.2 Invoking POST

Before you begin running POST, make sure you have a SPARCcenter 2000 system with a serial cable running from the system board in the lowest numbered slot to a Wyse terminal or equivalent. You need this set up to see status and error information during POST execution.

You can invoke POST in one of these ways:

- Turn on the power to your SPARCcenter 2000 system.
- Press the system reset switch, which is located on the back of the front panel of the SPARCcenter 2000 system.

Depending on the position of the key switch (which is on the front panel of the system), POST will execute in *normal mode* (key switch in the normal or SECURE position) or diagnostic mode (key switch in the DIAG position). (Diagnostic mode is hereafter called *diag mode*.)

Normal Mode

Normal mode is used for booting the operating system quickly. In normal mode, the actual operation of POST is transparent to the user. POST initializes the SPARCcenter 2000 hardware state and tests all system board components out to the SBus connectors. If errors are detected, POST attempts to recover by modifying the system configuration to exclude the faulty components. When POST completes, it transfers control to the OpenBoot firmware, which then boots the operating system. In normal mode, POST should transfer control to OpenBoot firmware within one minute; it does not display any status messages, but it does display error messages as they occur.

Diag Mode

Diag mode is used to test and troubleshoot the SPARCcenter 2000 system boards. In diag mode, POST executes a larger set of diagnostics, which provide additional coverage and better isolation of failing components on the system boards. In diag mode, you can communicate with POST. You can control POST using keyboard commands and you can use its test control features. POST is very verbose in this mode. (See Appendix A for a sample POST run.)

1.2.1 System and Board LEDs

The SPARCcenter 2000 system has three system LEDs and ten board LEDs. Their function is described in this section.

System LEDs

The left system LED is green, the center LED is yellow, and the right LED is green

- The left LED (green) is the power indicator. Once the power to the system is turned on, this LED always remains lit (ON).
- When the center LED (yellow) is ON, it indicates that POST is running.
- If the center LED (yellow) remains lit for more than 1 minute in normal mode, and the right LED (green) never lights up, it shows that the machine is unable to boot. (In diag mode this LED remains lit for longer than one minute.)
- If the center and right LEDs light up simultaneously, it shows that the system has booted with failing components. (You should be able to boot UNIX or other stand-alone diagnostics.)
- If the right LED (green) is ON and the center LED (yellow) is OFF, it indicates that the system has passed POST without any failures.

Board LEDs

The ten board LEDs work as follows:

- Two green board LEDs (A and B) indicate the presence of functional processors on a board at end of a POST run.
- The eight yellow LEDs
 - Output test ID numbers during a POST run
 - Indicate boards with failed parts at end of POST
 - Are always lit on non-processor boards.
- The Boot Master constantly runs a Walking 1s pattern on the yellow LEDs.

1.2.2 Error Messages

In both normal and diag modes, error messages are sent to the TTY port and are displayed on any terminal that is connected to that port. The ID of the failing test is also displayed in the eight LEDs on the edge of the system board. (See Chapter 2, "Test Descriptions" for test LED patterns.)

The general format for a POST error message is as follows:

```
bp> TEST STATUS - test_name.subtest_name ID LED
bp> Description of Error
    Address = 0x%X
    Data = 0x%X
```

Table 1-1 explains what each field in the error message means.

Table 1-1 Error Message Fields

Field	Description
b	System board number.
p	Processor (A or B).
TEST_STATUS	Status of the test (pass or fail).
test_name	Name of the test.
subtest_name	Name of the subtest.
ID	Unique test and subtest id number.
LED	Value (hex) of the LED display for the test.

Error messages also show a line explaining the failure, and display information from relevant registers.

Samples of error messages displayed by POST are shown below. The first example shows that the test `BW0 Regs` has failed because its subtest (`Timers and Interrupts`) has failed. The test ID is `38.3`, and the LED pattern for the test is `0x26`.

```
7A> TEST FAILED - BW0 Regs.Timers and Interrupts ID 38.3 LED 0x26
7A> Timer Error, expected the Limit Bit to be set
    Address = FFF02010
    Data = 00237800
```

The example below shows the failing test and subtest (`C0 SBI and SBI Registers`). The test ID is `56.1` and the LED pattern for this test is `0x36`.

```
0A> TEST FAILED - C0 SBI.SBI Registers ID 56.1 LED 0x38
0A> While testing Component ID register an unexpected trap occurred
    MFSR = 00000936
    MFAR = 02800000
    Trap Type = 9
    CC Error = 00000000.F01E1D58
```

1.3 User Interface Commands

In diag mode you can interact with POST in a limited way, using the commands shown in Table 1-2.

Table 1-2 User Interface Key Commands

Key	Action
a	Toggle Pause CPU A flag. Press this key to stall selftest on CPU A. Press any key to resume selftest. (Affects both CPUs. POST freezes on current system board; other system boards continue.)
b	Toggle Pause CPU B flag. Press this key to stall selftest on CPU B. Press any key to resume selftest. (Affects both CPUs. POST freezes on current system board; other system boards continue.)
c	Toggle Trace Test Case flag. Set this flag to allow subtests to display trace messages on the console. This is helpful for debugging or troubleshooting the system.
e	Toggle Loop On Error flag. Set this flag, and the current test will loop on an error till the flag is reset. If the flag is not set, the current test will try and continue execution once an error occurs.
h or ?	Use either key to display this command summary
l	Toggle Loop On Subtest flag. Press this key to cause the test sequencer to loop on the current subtest. (Can be an effective scope loop.)
m	Go to DEMON menus. Set this flag to interrupt the POST run, call a DEMON, and display the DEMON menu.
n	Skip to next subtest. Set this flag to cause the current subtest to exit and return to the sequencer. The next subtest in the list is then dispatched. (Useful for skipping long subtests.)
p	Toggle Print All Errors flag. Set this flag to allow POST to display all the errors within each test. Reset the flag if only the first error in each test is to be displayed. (Default is to print one error per subtest.)

Table 1-2 User Interface Key Commands (Continued)

Key	Action
s	Toggle Stop POST flag. Set this flag to allow POST to stop after it finishes execution and before it transfers control to the OpenBoot firmware. The DEMON menu is displayed.
t	Toggle Timestamp flag. Set this flag to allow the sequencer to print a timestamp prior to dispatching each subtest. (Uses TOD clock.)
v	Toggle Verbose Print Mode flag. Set this flag to allow POST to display the name of each step as it goes through the system initialization sequence. Reset the flag, and POST displays only the major milestones and the spin loopbar.
N	Skip to next test. Set this flag to terminate the current test list and allow the sequencer to fetch the next test list.
spacebar	Skip to next test case. Set this flag while a subtest is looping on error and the loop will exit and the subtest will continue by breaking out of the current loop. (Useful when looping on error.)

1.4 DEMON Menu Options

The DEMON options are useful when troubleshooting the system; they are not required in a normal POST run. To use the DEMON menus, type `m` (see Table 1-2) to interrupt POST while it is running in diag mode.

The DEMON main menu is shown below.

```
1A>
DEMON
1A>Select one of the following functions
1A> '0' System Parameters
1A> '1' Read/Write device
1A> '2' Software Reset
1A> '3' NVRAM Management
1A> '4' Error Reporting
1A> '5' Analyze Error Logs
1A> '6' Power Off at Main Breaker
1A> '7' NVRAM SIMM tests
1A> 'r' Return to selftest
1A>

Command ==>
```

To go to another menu or to select a command from this menu, type the number or letter that corresponds to the option (all other keys are ignored).

System Parameters Option

Type `0` at the main menu prompt, to get to the `System Parameters` sub-menu.

This sub-menu has several useful features for debugging and troubleshooting POST problems. You can view system reports, check component IDs, clear error logs, and dump system board registers.

Read/Write Device Option

Type **1** at the main menu prompt, to get to the `Read/Write device` sub-menu.

This sub-menu allows you to read and write using ASIs (address space identifiers). Most of the SPARCcenter 2000 ASICs can be accessed in this way. To use this menu, you must have detailed knowledge of how system physical addresses are assigned to the ASICs.

Software Reset Option

The `Software Reset DEMON` option does not have a menu. When you type **2** at the main menu prompt, POST issues a software reset to the BootBus reset register. The system is reset, and POST returns to the DEMON menu.

NVRAM Management Option

Type **3** at the main menu prompt, to get to the `NVRAM Management` sub-menu.

This sub-menu is used to manage the memory SIMM test results in BootBus NVRAM. It allows you to view and erase the data.

Error Reporting Option

Type **4** at the main menu prompt, to get to the `Error Reporting` sub-menu.

This sub-menu is used to print out data saved on the last system watchdog reset. The sub-menu does not allow you to dump data from boards that are not present. If the menu is not used at end of POST, only data from the local board can be dumped. (The “data” is the unformatted contents of all JTAG-scannable ASIC registers.)

Analyze Error Logs Option

The `Analyze Error Logs DEMON` option does not have a menu. When you type **5** at the main menu prompt, POST begins analyzing and displaying the error logs.

POST always logs the last System Watchdog error in BootBus NVRAM. The `Analyze Error Logs` option analyzes System Watchdog error logs. If there are any error bits set, POST formats and displays the relevant data.

This function is also be invoked by:

- All board masters upon a System Watchdog Reset. In this case, each board can only see its own error log because the BICs are in loopback. (Note that the POST System Master maintains and analyzes the error log for all non-processor boards.)
- The POST System Master after the loopback exit phase of testing (only if there was a recent System Watchdog). In this case, the POST System Master analyzes the error log from each board in the system. If no error bits are set, you only see a banner for that board.

Note – For troubleshooting purposes only, it is possible to clear the error logs using the DEMON menus. The timestamp for each error log is taken from the TOD on that board. If the operating system has not initialized the TOD, ignore the timestamp and use the `Clear Error Logs` option from the `System Parameters` menu for this task.

Power Off at Main Breaker Option

The `Power Off at Main Breaker` DEMON option does not have a menu. When you type `6` at the main menu prompt, POST trips the main breaker (this is for manufacturing tests only).

NVRAM SIMM Tests Option

Type `7` at the main menu prompt, to get to the `NVRAM SIMM tests` sub-menu.

This option is provided for users to test the NVRAM SIMMs. The operating system uses NVRAM SIMMs to store data. POST never writes to NVRAM SIMMs; it only checks the batteries.

Note – Never run these tests on a system that is operational, since vital operating system data might be erased.

Return To Selftest Option

Type `r` to leave the DEMON menus. You are taken back to the point where you interrupted POST execution when you called the DEMON, and the test execution continues.

The following screens are an example of how you can use various options in the DEMON menus. The example begins with the selection of option 0, System Parameters from the DEMON main menu.

```
1A>
System Parameters
1A>Select one of the following functions
1A>  '0'          Set POST Level
1A>  '1'          Dump Device Table
1A>  '2'          Display System
1A>  '3'          Dump Board Registers
1A>  '4'          Dump Component IDs
1A>  '5'          Clear Error Logs
1A>  '6'          Display Simms
1A>  '7'          Scrub Main Memory
1A>  'r'          Return

Command ==> 2
1A> Configuration = C2
1A> (0=failed,1=passed,blank=untested/unavailable)
    (sbus 1=card present,0=card not present,x=failed)
1A>-----+-----+-----+-----+-----+-----+-----+-----+-----+
1A>Slot|cpuA|bw0|bw1|cpuB|bw0|bw1|bb|ioc0|ioc1|sbi|mqh0|mqh1|mem|sbus|xd1|xd0|
1A>-----+-----+-----+-----+-----+-----+-----+-----+-----+
1A> 1 | 1 | 1 | 1 | 1 | 1 | 1 | 1 | 1 | 1 | 1 | 1 | 1 | 128|1000| 1 | 1 |
1A>-----+-----+-----+-----+-----+-----+-----+-----+-----+
1A>
1A>Memory Group Status
    (0=failed,1=passed,m=simm missing,c=simm mismatch,blank=unpopulated/unused)
1A>+---+-----+-----+-----+-----+
1A>Slot|xd0_g0|xd0_g1|xd1_g0|xd1_g1|
1A>+---+-----+-----+-----+-----+
1A> 1 | 1 | 1 | 1 | 1 |
1A>+---+-----+-----+-----+-----+
1A>Hit any key to continue :
```

```
1A>
System Parameters
1A>Select one of the following functions
1A>  '0'          Set POST Level
1A>  '1'          Dump Device Table
1A>  '2'          Display System
1A>  '3'          Dump Board Registers
1A>  '4'          Dump Component IDs
1A>  '5'          Clear Error Logs
1A>  '6'          Display Simms
1A>  '7'          Scrub Main Memory
1A>  'r'          Return
```

```
Command ==> 3
```

```
Probing E1000000
```

```
1A>  BW Register Base      E1000000
1A>  Comp Id                20D3907D
1A>  DCSR                   0001A041.0000DD00
1A>  DDR                     FFFFFFFF.FFFFFFFF
1A>  CTL                     00000000
1A>  ITBL
1A>                          0000
1A>                          0000
1A>                          0000
1A>                          0000
1A>                          0000
1A>                          0000
1A>                          0000
1A>                          0000
1A>                          0000
```

```
1A>Probing E1000100
```

```
1A>  BW Register Base      E1000100
1A>  Comp Id                20D3907D
1A>  DCSR                   0001A051.0000DD00
1A>  DDR                     FFFFFFFF.FFFFFFFF
1A>  CTL                     00000000
1A>  ITBL
1A>                          0000
1A>                          0000
1A>                          0000
1A>                          0000
1A>                          0000
1A>                          0000
1A>                          0000
1A>                          0000
1A>                          0000
```

```
1A>Probing E1800000
1A>   BW Register Base      E1800000
1A>   Comp Id                20D3907D
1A>   DCSR                   0001A041.8000DD00
1A>   DDR                     00000000.00000000
1A>   CTL                     00000020
1A>   ITBL
1A>
1A>           0000
1A>           0000
1A>           0000
1A>           0000
1A>           0000
1A>           0000
1A>           0000
1A>           0000
1A>           0000
1A>           0000
1A>Probing E1800100
1A>   BW Register Base      E1800100
1A>   Comp Id                20D3907D
1A>   DCSR                   0001A051.8000DD00
1A>   DDR                     00000000.00000000
1A>   CTL                     00000020
1A>   ITBL
1A>
1A>           0000
1A>           0000
1A>           0000
1A>           0000
1A>           0000
1A>           0000
1A>           0000
1A>           0000
1A>           0000
1A>           0000
1A>Probing 11F00000
1A>CC Register Base      11F00000
1A> StreamData
1A> Stream Data[0]        11F00000 00000000 00000000
1A> Stream Data[1]        11F00008 00000000 00000000
1A> Stream Data[2]        11F00010 00000000 00000000
1A> Stream Data[3]        11F00018 00000000 00000000
1A> Stream Data[4]        11F00020 00000000 00000000
1A> Stream Data[5]        11F00028 00000000 00000000
1A> Stream Data[6]        11F00030 00000000 00000000
1A> Stream Data[7]        11F00038 00000000 00000000
1A> StreamSrcAddr         11F00100 80000000 00000000
1A> StreamDstAddr         11F00200 80000000 00000000
1A> RefMissCnt            11F00300 00000000 00000000
1A> IntrptPend            11F00406      0
```

```

1A> IntrptMask      11F00506 7FFE
1A> BIST            11F00804 47478190
1A> Control         11F00A04 000000AC
1A> RC=0, DCB=1, WI=0, PF=1, MC=0, PE=1, CE=1, CS_HC=0
1A> Status          11F00B00 0000001F FFF00002
1A> SXP=0, SM=0, NCSID=1, NCSPA=FFFF00 NCSPC=0, SPC=0, BC=0, WP=0, RP=1, PP=0
1A> Reset           11F00C04 00000000
1A> Error           11F00E00 00000000 00000000
1A> ME=0, XP=0, CC=0, VP=0, AE=0, EV=0, CCOP=0, ERR=0, S=0, PA=0 00000000
1A> CompId          11F00F04 08000104
1A> MID=8, MDEV=1, MREV=0, MVEND=4
1A> Probing 19F00000
1A> CC Register Base 19F00000
1A> StreamData
1A> Stream Data[0]  19F00000 00000000 00000000
1A> Stream Data[1]  19F00008 00000000 00000000
1A> Stream Data[2]  19F00010 00000000 00000000
1A> Stream Data[3]  19F00018 00000000 00000000
1A> Stream Data[4]  19F00020 00000000 00000000
1A> Stream Data[5]  19F00028 00000000 00000000
1A> Stream Data[6]  19F00030 00000000 00000000
1A> Stream Data[7]  19F00038 00000000 00000000
1A> StreamSrcAddr   19F00100 80000000 00000000
1A> StreamDstAddr   19F00200 80000000 00000000
1A> RefMissCnt      19F00300 00000000 00000000
1A> IntrptPend      19F00406 0
1A> IntrptMask      19F00506 FFFE
1A> BIST            19F00804 47478190
1A> Control         19F00A04 000000AC
1A> RC=0, DCB=1, WI=0, PF=1, MC=0, PE=1, CE=1, CS_HC=0
1A> Status          19F00B00 0000001F FFF00000
1A> SXP=0, SM=0, NCSID=1, NCSPA=FFFF00 NCSPC=0, SPC=0, BC=0, WP=0, RP=0, PP=0
1A> Reset           19F00C04 00000000
1A> Error           19F00E00 00000000 00000000
1A> ME=0, XP=0, CC=0, VP=0, AE=0, EV=0, CCOP=0, ERR=0, S=0, PA=0 00000000
1A> CompId          19F00F04 08000104
1A> MID=8, MDEV=1, MREV=0, MVEND=4
1A> Probing E1100000
1A> MQH Register Base E1100000
1A>   Comp ID       10D8607D
1A>   DCSR          00048741.1000D000
1A>   DDR           FFFFFFFF.FFFFFFFF
1A>   G0ADR         00400008
1A>   G1ADR         00000008
1A>   G2ADR         00000000

```



```
1A> G3ADR 00000000
1A> G0TYPE 08000800.08000800
1A> G1TYPE 08000800.08000800
1A> G2TYPE FFFFFFFF.FFFFFFFF
1A> G3TYPE FFFFFFFF.FFFFFFFF
1A> MCSR 00000000.00024101
1A> CEADR 3FFFC00F.FFFFFFFF
1A> CEDR 00000000.00000000
1A> UEADR 3FCC000F.FFFFFFFC7
1A> UEDR 00000000.00000000
1A> ECCDCR 00000000.00000000
1A> Timing Registers
1A> 00000000.00000141
1A> 00000000.00000021
1A> 00000000.0000022D
1A> 00000000.000004AF
1A> 00000000.00000147
1A> 00000000.00000117
1A> 00000000.0000021B
1A> 00000000.0000008A
1A> 00000000.00000002
1A> 00000000.00000012
1A> 00000000.00000090
1A> 00000000.00000040
1A> 00000000.00000000
1A> 00000000.00000000
1A> 00000000.00000000
1A> 00000000.00000000
1A> 00000000.00000000
1A> 00000000.00000000
1A> 00000000.00000000
1A> 00000000.00000000
1A> 00000000.00000000
1A> 00000000.00000000
1A> Probing E1100100
1A> MQH Register Base E1100100
1A> Comp ID 10D8607D
1A> DCSR 00048751.1000D000
1A> DDR FFFFFFFF.FFFFFFFF
1A> G0ADR 00400008
1A> G1ADR 00000008
1A> G2ADR 00000000
1A> G3ADR 00000000
1A> G0TYPE 04000400.04000400
1A> G1TYPE 04000400.04000400
1A> G2TYPE FFFFFFFF.FFFFFFFF
1A> G3TYPE FFFFFFFF.FFFFFFFF
```

```

1A> MCSR 00000000.00024100
1A> CEADR 3FFFC00F.FFFFFFFF
1A> CEDR 00000000.00000000
1A> UEADR 3FFFC00F.FFFFFFFF
1A> UEDR 00000000.00000000
1A> ECCDCR 00000000.00000000
1A> Timing Registers
1A> 00000000.00000141
1A> 00000000.00000021
1A> 00000000.0000022D
1A> 00000000.000004AF
1A> 00000000.00000147
1A> 00000000.00000117
1A> 00000000.0000021B
1A> 00000000.0000008A
1A> 00000000.00000002
1A> 00000000.00000012
1A> 00000000.00000090
1A> 00000000.00000040
1A> 00000000.00000000
1A> 00000000.00000000
1A> 00000000.00000000
1A> 00000000.00000000
1A> 00000000.00000000
1A> 00000000.00000000
1A> 00000000.00000000
1A> 00000000.00000000
1A> 00000000.00000000
1A> 00000000.00000000
1A> Probing E1200000
1A> IOC Register Base E1200000
1A> Comp ID 10ADD07D
1A> DCSR 0001A041.2000DD00
1A> DDR FFFFFFFF.FFFFFFFF
1A> CTL 0001E061
1A> DBUS Tags SBUS Tags State Bits
1A> 00000000 00000000 00000000
1A> 00000000 00000000 00000000
1A> 00000000 00000000 00000000
1A> 00000000 00000000 00000000
1A> Probing E1200100
1A> IOC Register Base E1200100
1A> Comp ID 10ADD07D
1A> DCSR 0001A051.2000DD00
1A> DDR FFFFFFFF.FFFFFFFF
1A> CTL 0001E061
1A> DBUS Tags SBUS Tags State Bits

```

```
1A> 00000000 00000000 00000000
1A> 00000000 00000000 00000000
1A> 00000000 00000000 00000000
1A> 00000000 00000000 00000000
1A>Probing 12800000
1A>SBI Register Base 12800000
1A>  Comp ID  20ADE07D
1A>  CTL      00020080
1A>  SR       00000000
1A>  S0CR     003FA021
1A>  S1CR     003FA021
1A>  S2CR     003FA021
1A>  S3CR     003FA021
1A>  S0SBCR   00000000
1A>  S1SBCR   00000000
1A>  S2SBCR   00000000
1A>  S3SBCR   00000000
1A>  ISR      00000000
1A>  ITIDR    00000010
1A>Hit any key to continue :
1A>
```

```

System Parameters
1A>Select one of the following functions
1A>  '0'      Set POST Level
1A>  '1'      Dump Device Table
1A>  '2'      Display System
1A>  '3'      Dump Board Registers
1A>  '4'      Dump Component IDs
1A>  '5'      Clear Error Logs
1A>  '6'      Display Simms
1A>  '7'      Scrub Main Memory
1A>  'r'      Return

Command ==> 4
1A> Bus Ring(s)
1A>+-----+-----+-----+-----+-----+-----+
1A> Ring | bic0 | bic1 | bic2 | bic3 | barb |
1A>+-----+-----+-----+-----+-----+-----+
1A> 1,1 | 30ADA07D | 30ADA07D | 30ADA07D | 30ADA07D | 20AD907D |
    bus 1 | 30ADA07D | 30ADA07D | 30ADA07D | 30ADA07D | 20AD907D |
1A>+-----+-----+-----+-----+-----+-----+
1A> Processor A Ring(s)
1A>+-----+-----+-----+-----+-----+-----+
1A> Ring | cpuA | mxccA | bw0A | bw1A |
1A>+-----+-----+-----+-----+-----+-----+
1A> 1,2 | 1000402F | 0000302F | 20D3907D | 20D3907D |
1A>+-----+-----+-----+-----+-----+-----+
1A> Memory Ring(s)
1A>+-----+-----+-----+-----+-----+-----+
1A> Ring | mqh0 | mqh1 | | |
1A>+-----+-----+-----+-----+-----+-----+
1A> 1,3 | 10D8607D | 10D8607D |
1A>+-----+-----+-----+-----+-----+-----+
1A> IO Ring(s)
1A>+-----+-----+-----+-----+-----+-----+
1A> Ring | sbi | ioc0 | ioc1 | |
1A>+-----+-----+-----+-----+-----+-----+
1A> 1,4 | 20ADE07D | 10ADD07D | 10ADD07D |
1A>+-----+-----+-----+-----+-----+-----+
1A> Processor B Ring(s)
1A>+-----+-----+-----+-----+-----+-----+
1A> Ring | cpuB | mxccB | bw0B | bw1B |
1A>+-----+-----+-----+-----+-----+-----+
1A> 1,5 | 0000402F | 0000302F | 20D3907D | 20D3907D |
1A>+-----+-----+-----+-----+-----+-----+
1A>Hit any key to continue :

```

```
System Parameters
1A>Select one of the following functions
1A>  '0'          Set POST Level
1A>  '1'          Dump Device Table
1A>  '2'          Display System
1A>  '3'          Dump Board Registers
1A>  '4'          Dump Component IDs
1A>  '5'          Clear Error Logs
1A>  '6'          Display Simms
1A>  '7'          Scrub Main Memory
1A>  'r'          Return

Command ==> 6
1A>Which Board (a = all boards)? a

          DRAM          |          NVRAM          |          Manufacturer
          Size   Speed  |   Size   Speed  |
-----+-----+-----+-----+-----+-----+-----+-----+-----+-----+
0 | 4Mbit | 80ns | 1Mbit | 70ns | -
1 | 16Mbit | 100ns | 4Mbit | 85ns | MS
2 | 64Mbit | - | - | - | TI
  {If NVSIMM, NV=1 and B=1 if battery is good}

1A>Board 1 SIMM Map
1A> -----+-----+-----+-----+-----+-----+
1A> SIMM|Grp|Data |ECC|Size|Spd|Mfg|B|NV|
1A> -----+-----+-----+-----+-----+-----+
1A>XDBus 0
1A> 3900 1 15:0 1:0 0 0 2 0 0
1A> 4300 0 15:0 1:0 0 0 2 0 0
1A> 3700 1 47:32 5:4 0 0 2 0 0
1A> 4100 0 47:32 5:4 0 0 2 0 0
1A> 3800 1 31:16 3:2 0 0 2 0 0
1A> 4200 0 31:16 3:2 0 0 2 0 0
1A> 3600 1 63:48 7:6 0 0 2 0 0
1A> 4000 0 63:48 7:6 0 0 2 0 0
1A>XDBus 1
1A> 4700 1 15:0 1:0 0 0 1 0 0
1A> 5100 0 15:0 1:0 0 0 1 0 0
1A> 4500 1 47:32 5:4 0 0 1 0 0
1A> 4900 0 47:32 5:4 0 0 1 0 0
1A> 4600 1 31:16 3:2 0 0 1 0 0
1A> 5000 0 31:16 3:2 0 0 1 0 0
1A> 4400 1 63:48 7:6 0 0 1 0 0
1A> 4800 0 63:48 7:6 0 0 1 0 0
1A>Hit any key to continue : r
```

System Parameters

1A>Select one of the following functions

```
1A>  '0'      Set POST Level
1A>  '1'      Dump Device Table
1A>  '2'      Display System
1A>  '3'      Dump Board Registers
1A>  '4'      Dump Component IDs
1A>  '5'      Clear Error Logs
1A>  '6'      Display Simms
1A>  '7'      Scrub Main Memory
1A>  'r'      Return
```

Command ==> r

DEMON

1A>Select one of the following functions

```
1A>  '0'      System Parameters
1A>  '1'      Read/Write device
1A>  '2'      Software Reset
1A>  '3'      NVRAM Management
1A>  '4'      Error Reporting
1A>  '5'      Analyze Error Logs
1A>  '6'      Power Off at Main Breaker
1A>  '7'      NVRAM SIMM tests
1A>  'r'      Return to selftest
```

1A>

Command ==> 1

General command format is:

```
op_size_space asi address data count increment
op = r or w or q (read or write or quit)
size = b,h,w or d
space = a or v (alternate or virtual space)
asi = 2 - 0x4c (if alternate space)
address = device or memory address
data = write data (if write)
count = optional range count
increment = optional address increment (default is data type)
NOTE: '.'s are ignored and can be used as separators.
```

Examples:

```
rwdev> wba 2f f01e.0000 a5 4 /* writes 4 consecutive bytes into bootbus SRAM */
rwdev> rdv 0 10 /* reads the frist 16 doublewords from cachable space */
rwdev> rda 2 0180.0000 4 100 /* reads the first 4 MXCC tags */
rwdev> rwa 2f fff0.3010 40 0 /* reads the BW tick timer 64 times */
```

1A>rwdev> q

```
DEMON
1A>Select one of the following functions
1A>  '0'      System Parameters
1A>  '1'      Read/Write device
1A>  '2'      Software Reset
1A>  '3'      NVRAM Management
1A>  '4'      Error Reporting
1A>  '5'      Analyze Error Logs
1A>  '6'      Power Off at Main Breaker
1A>  '7'      NVRAM SIMM tests
1A>  'r'      Return to selftest
1A>

Command ==> 4
1A>

Dump Error Reset Status
1A>  '0' - '9' Select Board
1A>  'r'      Return

Command ==> 1
1A>Dumping local board 1
1A>Log Date:  Feb 11  8:54:45 GMT 1993
1A>A CC Error Register = 00000000.00000000
1A>B CC Error Register = 00000000.00000000
1A>Processor A
1A>BW0 DCSR = 0001A003.08005600 DDR = 00000000.00000000
1A>BW1 DCSR = 00FF60FE.FFFFFFF9E DDR = FD7FBF7F.AF97BFDF
1A>Processor B
1A>BW0 DCSR = 0001A003.8C985610 DDR = 480E020F.3C800000
1A>BW1 DCSR = 0001A013.88005600 DDR = 00000000.00000000
1A>MQH0 DCSR = 00048743.1FC8D010 DDR = 04072010.F606A008
1A>MQH1 DCSR = 00048753.1800D000 DDR = 00000000.00000000
1A>IOC0 DCSR = 0001A003.2800DD00 DDR = 00000000.00000000
1A>IOC1 DCSR = 0001A003.2800DD00 DDR = FFFFFFFF.FFFFFFFF
1A>SBI Control = 00020180 Status = 00000000
1A>Analyzing BIC data
1A>Hit any key to continue :
1A>

Dump Error Reset Status
1A>  '0' - '9' Select Board
1A>  'r'      Return

Command ==> r
```

```
1A>
DEMON
1A>Select one of the following functions
1A>  '0'      System Parameters
1A>  '1'      Read/Write device
1A>  '2'      Software Reset
1A>  '3'      NVRAM Management
1A>  '4'      Error Reporting
1A>  '5'      Analyze Error Logs
1A>  '6'      Power Off at Main Breaker
1A>  '7'      NVRAM SIMM tests
1A>  'r'      Return to selftest
1A>
```

Command ==> 5

```
1A>
----- Error Log Analysis for Board 1 -----
1A>Hit any key to continue :
```

Note that no errors were detected on this board.

```
1A>
DEMON
1A>Select one of the following functions
1A>  '0'      System Parameters
1A>  '1'      Read/Write device
1A>  '2'      Software Reset
1A>  '3'      NVRAM Management
1A>  '4'      Error Reporting
1A>  '5'      Analyze Error Logs
1A>  '6'      Power Off at Main Breaker
1A>  '7'      NVRAM SIMM tests
1A>  'r'      Return to selftest
1A>
```

Command ==> 7

```
1A>
NVRAM SIMM Tests
1A>Select one of the following functions
1A>  '0'      Read-Write 6N Test
1A>  '1'      Write Test (no verify)
1A>  '2'      Read Test (verify single pattern)
1A>  'r'      Return to Main menu
1A>
```

Command ==> r

Test Descriptions



This chapter contains the descriptions for the tests that make up the POST software.

Note – This chapter lists the tests *in the order in which they are executed* when POST is invoked. For the SPARCcenter 2000 system, a set of tests is run for the C0 configuration; then those tests are repeated for the C1 configuration. (Refer to the Glossary for an explanation of the terms that appear in this chapter.)

The general format for each test description is as follows.

Each test has an LED pattern (shown as a set of eight lights) associated with it. The hexadecimal value of this LED pattern is also shown alongside the test name. A brief description of the test follows, along with the test ID number, attributes, and a diagnosis field showing the possible cause of a problem (should a test fail).

For test LED patterns in this manual, white lights (○) indicate that the LED is OFF, and black lights (●) indicate that the LED is ON.

The description of the test is followed by descriptions for each of the subtests within a test. Like tests, subtests also show IDs, attributes, diagnoses, and brief descriptions of the functions they perform. In addition, the algorithm (in the form of pseudocode) and the error messages for each subtest are also listed. Subtests do not have hexadecimal values (and their corresponding LED patterns) associated with them.

2.1 Early POST Tests

Shortly after power-on and before transferring control to the test sequencers (see Appendix B), POST does a few preliminary tests. These tests are basic checks to verify that the CPU and BootBus are working well enough so that POST can begin more comprehensive testing.

The following tests are very basic; if they fail, you may or may not see error messages (depending on the extent of the failure).

- The first check is to start BIST (built-in self-test) on the MXCC ASIC. The BIST takes one second to execute. If this operation hangs the CPU, you see the value 0x01 in the board LED display.
- The next check is to start BIST on the CPU module. This BIST takes one second to execute. If this operation hangs the CPU, you see the value 0x02 in the board LED display.

Note – If POST is running in diag mode, it displays the resultant BIST signatures.

- POST now does a basic BootBus NVRAM read/write test. POST tests 8 bytes of NVRAM at the NVRAM base address +8. If it detects a failure, POST attempts to print a message on TTYA, then falls into and remains in a write/read scope loop for as long as the failure persists. If this test fails, you see the value 0x04 in the LEDs. This is a non-destructive test; POST saves the 8 bytes prior to the test and later restores them.
- Finally, POST does a basic BootBus SRAM read/write test. POST tests 8 bytes of SRAM at the SRAM base address +8. If a failure is detected, POST attempts to print a message on TTYA, then falls into and remains in a write/read scope loop for as long as the failure persists. If this test fails, you see the value 0x05 in the LEDs. This is a non-destructive test; POST saves the 8 bytes prior to the test and later restores them.

2.2 Board Level Testing

The following series of tests verify all the functional elements of CPU A, CPU B, the System Board components (BootBus, BWs, IOCs, SBI, MQHs) and all memory present on that board. These tests are run while all system boards are in XDBus™ loopback.

○○○○ ○●●○

EPROMs

0x06

- ID: 6.0
- Attributes: C2 Mandatory Test
C1 Mandatory Test
C0 Mandatory Test
- Diagnosis: BootBus

Test the BootBus EPROM.

Subtest: EPROM path

- ID: 6.1
- Level: 17
- Attributes: Test Module
Initialization Module

Fetch previously stored data from the EPROM, and verify that the correct byte, halfword, and word data gets fetched.

- Test byte access.
- Test halfword access.
- Test word access.
- Test doubleword access.

Possible Error Messages

```
Data Compare Error
address = %X
expected = %X
observed = %X
```

Subtest: EPROM checksum

- ID: 6.2
- Level: 17
- Attributes: Test Module
Initialization Module

Compute a checksum for all addresses of the PROM except the last two bytes of each PROM. Read the last two bytes, and compare the calculated value with the observed one. If an error occurs, a message indicates the failing byte.

Possible Error Messages

EPROM %d checksum error exp=0x%X obs=0x%X

○○○○ ●○○○

LEDs

0x08

- ID: 8.0
- Attributes: C2 Useful Test
C1 Useful Test
C0 Useful Test
- Diagnosis: BootBus

Test the BootBus LED register.

Subtest: WALK LED

- ID: 8.1
- Level: 8
- Attributes: Test Module

Walk 1s through the LED register.

- Clear all LEDs.
- Sequentially light up LEDs from right to left or bottom to top.

Possible Error Messages

This test does not report any errors.

○○○○ ●○○●

Serial Ports

0x09

- ID: 9.0
- Attributes: C2 Useful Test
C1 Useful Test
C0 Useful Test
- Diagnosis: BootBus

Test the BootBus Serial Communication Control serial ports.

Subtest: Port A Register

- ID: 9.1
- Level: 17
- Attributes: Test Module

Perform a Walking 1s test on the UART SCC (Z85C30) write/read register 12.

Possible Error Messages

Data Compare Error
address = %X
expected = %X
observed = %X

Subtest: Port B Register

- ID: 9.1
- Level: 17
- Attributes: Test Module

Perform a Walking 1s test on the UART SCC (Z85C30) write/read register 12.

Possible Error Messages

Data Compare Error
address = %X
expected = %X
observed = %X

Subtest: Serial Port A Loopback

- ID: 9.2
- Level: 17
- Attributes: Test Module

Test Serial Port A using loopback.

- Initialize the UART and enable loopback.
- Send characters 0x20 through 0x7f.
- Check RXRDY and verify that RXDATA = TXDATA.

Possible Error Messages

```
pa=%x local loopback error no txready
pa=%X local loopback error no rxready
pa=%X local loopback error exp=0x%X, obs=0x%X
```

Subtest: Serial Port B Loopback

- ID: 9.3
- Level: 17
- Attributes: Test Module

Test Serial Port B using loopback.

- Initialize the UART and enable loopback.
- Send characters 0x20 through 0x7f.
- Check RXRDY and verify that RXDATA = TXDATA.

Possible Error Messages

```
pa=%x local loopback error no txready
pa=%X local loopback error no rxready
pa=%X local loopback error exp=0x%X, obs=0x%X
```

○○○○ ●○○●

Keyboard and Mouse**0x0B**

- ID: 11.0
- Attributes: C2 Useful Test
C1 Useful Test
C0 Useful Test
- Diagnosis: BootBus

Test the BootBus Serial Communication Control keyboard and mouse ports.

Subtest: Keyboard Loopback

- ID: 11.1
- Level: 8
- Attributes: Test Module

Test the keyboard using loopback.

- Initialize the UART and enable loopback.
- Send characters 0x20 through 0x7f.
- Check RXRDY and verify that RXDATA = TXDATA.

Possible Error Messages

```
pa=%x local loopback error no txready
```

```
pa=%X local loopback error no rxready
```

```
pa=%X local loopback error exp=0x%X, obs=0x%X
```

Subtest: Mouse Loopback

- ID: 11.2
- Level: 8
- Attributes: Test Module

Test the mouse using loopback.

- Initialize the UART and enable loopback.
- Send characters 0x20 through 0x7f.
- Check RXRDY and verify that RXDATA = TXDATA.

Possible Error Messages

pa=%x local loopback error no txready

pa=%X local loopback error no rxready

pa=%X local loopback error exp=0x%X, obs=0x%X

○○○○ ●●○○

NVRAM TOD

0x0C

- ID: 12.0
- Attributes: C2 Useful Test
C1 Useful Test
C0 Useful Test
- Diagnosis: BootBus

Test the BootBus NVRAM time-of-day clock function to insure that the clock is running.

○○○○ ●●○○

Basic CPU

0x0D

- ID: 13.0
- Attributes: General Purpose
- Diagnosis: CPUA Module
CPUB Module

Test the basic CPU functions.

Subtest: FPU Register

- ID: 13.1
- Level: 17
- Attributes: Test Module
Initialization Module

Test floating-point unit registers.

- Read a data pattern into an FPU register.
- Write FPU register out to memory.
- Compare data in memory to original data.
- Repeat for all FPU registers.
- Repeat for several data patterns.

Possible Error Messages

Unexpected trap occurred during FPU operation

FPU Double Reg %d, exp %X %X, obs %X %X, reg, exp, obs

Single Precision, exp = %X, obs = %X

Subtest: FPU Functional

- ID: 13.1
- Level: 17
- Attributes: Test Module
Initialization Module

Test the functionality of the floating-point unit.

- Perform the following operation, using single precision:
 $((3 * 4 * 5) - 2 + 2) / 4 / 5$.
- Verify that the result is 3.0.
- Repeat, using double precision.

Possible Error Messages

Unexpected trap occurred during FPU operation

FPU Double Reg %d, exp %X %X, obs %X %X, reg, exp, obs

Single Precision, exp = %X, obs = %X

Subtest: MMU TLB

- ID: 13.1
- Level: 17
- Attributes: Test Module
Subtest Disabled
Initialization Module

Write-read-verify all TLB entries using Walking 1s pattern.

Possible Error Messages

unexptd_tlb_msg, entry, sel, exp, obs)

Subtest: Instruction Cache Tags

- ID: 13.1
- Level: 17
- Attributes: Test Module
Initialization Module

Test that the Icache can be flash-cleared and that the tags can be addressed uniquely. Also check the tag array for data reliability.

- Write all the state bits and an incrementing pattern in the Paddr field.
- Flash clear the lock bits; check that they get cleared and that Paddr is not changed.
- Flash clear the valid and mru bits; check that all valid and mru bits are clear and that lock bits and Paddr field are unchanged.

Possible Error Messages

```
Data Compare Error  
address = %X  
expected = %X.%X  
observed = %X.%X
```

Subtest: Instruction Cache Ram

- ID: 13.2
- Level: 17
- Attributes: Test Module
Initialization Module

Test the instruction cache RAM.

Address Ascending:

- Write each address with its address as the data.
- Read and verify each address.

Address Descending:

- Write each address with its address as the data.
- Read and verify each address.

Cell Disturbance:

- Write the entire cache with a checkerboard bit pattern.
- Read and verify each address.
- Reverse the checkerboard pattern and repeat.

Data Reliability:

- Write the cache with standard test patterns.
- Read and verify the data.

Possible Error Messages

Data Compare Error

address = %X

expected = %X.%X

observed = %X.%X

Subtest: Data Cache Tags

- ID: 13.3
- Level: 8
- Attributes: Test Module
Initialization Module

Test the CPU's data cache tags for address uniqueness and data reliability.

Address Ascending:

- Write each tag with its address as the data.
- Read and verify each address.

Address Descending:

- Write each address with its address as the data.
- Read and verify each address.

Cell Disturbance:

- Write the entire array with a checkerboard bit pattern.
- Read and verify each address.
- Reverse the checkerboard pattern and repeat.

Data Reliability:

- Write the tag array with standard test patterns.
- Read and verify the data.

Possible Error Messages

```
Data Compare Error
address = %X
expected = %X.%X
observed = %X.%X
```

Subtest: Data Cache Ram

- ID: 13.4
- Level: 8
- Attributes: Test Module
Initialization Module

Test address uniqueness and data reliability of the CPU internal data cache RAMs.

Address Ascending:

- Write each address with its address as the data.
- Read and verify each address.

Address Descending:

- Write each address with its address as the data.
- Read and verify each address.

Cell Disturbance:

- Write the entire cache with a checkerboard bit pattern.
- Read and verify each address.
- Reverse the checkerboard pattern and repeat.

Data Reliability:

- Write the cache with standard test patterns.
- Read and verify the data.

Possible Error Messages

```
Data Compare Error
address = %X
expected = %X.%X
observed = %X.%X
```

Subtest: Store Buffer Tags

- ID: 13.5
- Level: 8
- Attributes: Test Module
Initialization Module

Verify Store Buffer tags for address uniqueness and data reliability.
(The test is run with the Store Buffer off.)

Store Buffer Addressing test:

- Write address ascending.
- Read and verify.
- Write address descending.
- Read and verify.

Store Buffer RAM data reliability:

- Write all tags with test pattern.
- Read each tag and verify data.
- Loop for all patterns.

Possible Error Messages

```
Data Compare Error
address = %X
expected = %X.%X
observed = %X.%X
```

Subtest: Store Buffer RAM

- ID: 13.6
- Level: 8
- Attributes: Test Module
Initialization Module

Verify Store Buffer SRAMs for address uniqueness and data reliability.
(This test is run with the Store Buffer off.)

Store Buffer Addressing test:

- Write address ascending.
- Read and verify.

- Write address descending.
- Read and verify.

Store Buffer RAM data reliability:

- Write entire RAM with test pattern.
- Read RAM and verify the data.
- Loop for all patterns.

Possible Error Messages

```
Data Compare Error
address = %X
expected = %X.%X
observed = %X.%X
```

Subtest: Store Buffer Functional

- ID: 13.9
- Level: 8
- Attributes: Test Module
Initialization Module

Test the Store Buffer functions that can be tested while in boot mode with the Ecache turned off. (Implies only non-cacheable space.)

This test currently issues stores to EPROM address space. The actual results are obtained from the Store Buffer.

Stress test using non-cacheable stores:

- Make sure Store Buffer is off.
- Zero Store Buffer control and all tags.
- Clear the tags.
(The Dptr and Fptr are set to 0.)
- Turn on Store Buffer.
- Issue 8 stores that should use each entry in the Store Buffer (0..7).
- Turn off Store Buffer.
- Read the tags and data, and verify.

Using EPROM address space, float 1 through the address field of each tag:

- Issue the store.
- Read the tag and data.
- Float address bit, and loop for all address bits.

Use a bus parity error to force a Store Buffer error, and check the Store Buffer tags, data, and control for proper state:

- Establish the trap handler.
(The first store will go to the Store Buffer. The load will cause the Store Buffer to flush this store with odd parity. The MXCC should complain about the bad parity. The CPU should take a data store error trap.)
- Check that the correct trap (data store error) occurs.
(Dptr must point to the entry that incurred the data store error.)
- Check the Store Buffer control and tags.
- Zero Store Buffer control and all tags .

Possible Error Messages

```
Store Buffer tag error
entry = %x
expected = %X.%X
observed = %X.%X
```

```
Store Buffer data error
entry = %x
expected = %X.%X
observed = %X.%X
```

```
Store Buffer control error
expected = %X
observed = %X
```

```
Data store error trap did not occur
```

Subtest: MXCC Registers

- ID: 13.10
- Level: 8
- Attributes: Test Module
Initialization Module

Test the read and write accessibility of the MXCC ASIC registers, using all access sizes allowed. The addresses of the MXCC registers are in ECSR space and Control Space (ASI 2).

To prevent XDBus transactions, this test uses Control Space Access only. If any access causes a data access exception or unexpected interrupt, the test aborts with a FAIL status.

The Stream Source and Destination Address registers are not tested here (because they generate XDBus transactions to the BWs), but they are tested after the rest of the system is initialized and tested. Also, the Interrupt registers must be tested later, because they generate XDBus transactions to the BW.

A write to the Status register has bad side effects (it can cause the CPU to hang). So it is not tested except to read it and insure that it does not cause a trap.

The Reset register is tested by clearing it and verifying that it clears. A Software Reset can be tested from the DEMON Menu.

The Error register is read only. The test clears all errors then checks to insure that all error bits are cleared.

Possible Error Messages

```
%s register value indicates XBus may be broken
  expected = %X.%X
  observed = %X.%X
```

```
While testing %s register an unexpected trap occurred
  MFSR = %X
  MFAR = %X
  Trap Type = %2x
  CC Error = %X.%X
```

```
Unexpected Component ID value
  address = %X
  expected = %X or %X
  observed = %X
```

```
%s register failed to return correct data
  address = %X
  expected = %X
  observed = %X
```



```

%s register failed to return correct data
  expected = %X.%X
  observed = %X.%X

```

```

Floating a bit through %s register failed
  expected = %X
  observed = %X

```

```

Floating a bit through %s register failed
  expected = %X.%X
  observed = %X.%X

```

Subtest: Init MXCC Regs

- ID: 13.11
- Level: 8
- Attributes: Error is Fatal

Clear the MXCC error register, clear all pending interrupts, clear the reference/miss count register, and enable Level 15 interrupts.

Possible Error Messages

This module does not check or report errors.

○○○○ ●●●○

Ecache

0x0E

- ID: 14.0
- Attributes: C2 Useful Test
C1 Useful Test
C0 Useful Test
- Diagnosis: CPUA Module
CPUB Module

Test the external cache system.

Subtest: Setting Cache Size

- ID: 14.1
- Level: 1
- Attributes: Error is Fatal

Set or clear the bits for the selected mode, half or full cache.

Possible Error Messages

This module does not check or report errors.

Subtest: Ecache Tags

- ID: 14.2
- Level: 8
- Attributes: Test Module
Initialization Module

Test address uniqueness and data reliability of the external cache (MXCC) tags.

- Do a write pass in ascending order.
- Do a read pass in ascending order.
- Do a write pass in descending order.
- Do a read pass in descending order.
- Do the data reliability test case.
- Loop through all the patterns.

Possible Error Messages

Data Compare Error
address = %X
expected = %X.%X
observed = %X.%X

Subtest: Ecache SRAM

- ID: 14.3
- Level: 8
- Attributes: Test Module
Initialization Module

Test access size, addressing, and SRAM data reliability.
(This test is run with the external cache disabled.)

Test CC SRAM access:

- Write a pattern into an SRAM double word location.
- Read it back a byte at a time and verify.
- Read it back a half at a time and verify.
- Read it back a word at a time and verify.
- Write every byte in the cache line.

- Read and verify.
- Write every half in the cache line.
- Read and verify.
- Write every word in the cache line.
- Read and verify.

Test CC SRAM addressing:

- Write pass address up.
- Read pass address up.
- Write pass address down.
- Read pass address down.

Test CC SRAM data reliability:

- Only do the long test if POST LEVEL is high.
- Loop through all the patterns.
(Checking for stuck ats.)
- Test pattern and ~pattern.
- Turn on CPU module Bus parity and watch for traps.
- Set up trap to handle data access exception (parity error).
- Loop through all patterns.
- Check for parity error.
- Check for mismatches.

Do a short test for booting (DIAG Switch OFF):

- Turn on CPU module Bus parity and watch for traps.
- Set up g5 and g6 to expect data access exception.
- Write pass; write alternate patterns.
- Loop through the cache, comparing alternate patterns.
- Check for parity error.
- Check for mismatches.
- Repeat test with mixed parity patterns.

Possible Error Messages

```
Viking Parity Error  
address = %X  
expected = %X.%X  
observed = %X.%X
```

```
Data XOR = %X.%X  
Part = U%d
```

Subtest: Ecache Enable

- ID: 14.5
- Level: 1
- Attributes: Error is Fatal

Enable the external cache.
(From this point on, the cache remains enabled.)

Possible Error Messages

This module does not check or report errors.

Subtest: Clear CC SRAM

- ID: 14.4
- Level: 1
- Attributes: Error is Fatal

Clear the external cache SRAM.
(This also insures that good parity is established for the SRAM.)

Possible Error Messages

This module does not check or report errors.

○○○● ○○○○

Processor Ring

0x10

- ID: 16.0
- Attributes: General Purpose
- Diagnosis: BWA0
BWA1
BWB0
BWB1

Test the continuity and length of the JTAG scan ring and the component IDs of all chips on the CPU JTAG scan ring.

Subtest: XDBus setup C_0

- ID: 16.1
- Level: 1
- Attributes: Error is Fatal

Set up XDBus 0 configuration.

Possible Error Messages

This module does not check or report errors.

Subtest: Verify BW Ring

- ID: 16.2
- Level: 1
- Attributes: Test Module
Initialization Module

Scan in the ring containing the BW and CPU ASICs; verify that the JTAG data is correct.

Possible Error Messages

JTAG TAP state machine not responding

Incorrect arguments passed by caller

JTAG component ID does not match

JTAG ring continuity test failed

State after initialization not expected

Ring length does not match expected

○○○● ○○●○

BW0 Regs

0x12

- ID: 18.0
- Attributes: C2 Mandatory Test
C0 Mandatory Test
- Diagnosis: BWA0
BWB0

Test the registers and tags on Bus Watcher 0.

Subtest: C_O BW

- ID: 18.1
- Level: 1
- Attributes: Initialization Module
Error is Fatal

Establish the board configuration for this test.

Possible Error Messages

This module does not check or report errors.

Subtest: BW Registers

- ID: 18.2
- Level: 8
- Attributes: Test Module
Initialization Module

Test the read and write accessibility of all BW ASIC registers, using all access sizes allowed. The addresses of the BW registers are in CSR space and Local space; the test uses both address spaces. If any access causes a data access exception or unexpected interrupt, the test aborts with a FAIL status.

Possible Error Messages

```
While testing %s register an unexpected trap occurred
MFSR = %X
MFAR = %X
Trap Type = %2x
CC Error = %X.%X
```

```
Unexpected Component ID value
  address = %X
  expected = %X or %X
  observed = %X

%s register failed to return correct data
  address = %X
  expected = %X
  observed = %X

%s register failed to return correct data
  expected = %X.%X
  observed = %X.%X

Floating a bit through %s register failed
  expected = %X
  observed = %X

Floating a bit through %s register failed
  expected = %X.%X
  observed = %X.%X
```

Subtest: Timers and Interrupts

- ID: 18.3
- Level: 8
- Attributes: Test Module
Initialization Module

Test timer in free running mode, no interrupts.

- Make sure the prescaler is initialized for 1 microsecond.
- Configure Ptimer for non-UT mode.
- First do the Ptimer, then do the Ttimer.
- Clear all interrupt registers.
- Set timer to run free.
- Stall for a few milliseconds.
- Make sure the counter did some counting.
- Check the interrupt table (should be 0).

Test both P and T timer in limit mode with interrupts.

- First do the Ptimer, then do the Ttimer.
- Set timer to run free.
- Clear all interrupt registers.
- Set limit to 100 and see if interrupt is generated.
- Stall for a few milliseconds.
- Check the limit bits.
- Check the interrupt table.
- Check the interrupt pending.
- Setup for tick timer.
- Set timer to free running mode - turn off interrupts.

Test User Timer Mode.

- Configure the Ptimer for User Timer mode.
- Make sure it counts.

Test alarm clock interrupts.

- First do the Ptimer, then do the Ttimer.
- Set timer to run free.
- Clear all interrupt registers.
- Set ND limit to 100 and see if interrupt is generated.
- Stall for a few milliseconds.
- Check the limit bits.
- Check the interrupt table.
- Check the interrupt pending.
- Setup for tick timer.
- Set timer to free running mode - turn off interrupts.

Clean up everything.

- Configure Ptimer for non-UT mode.
- Set timer to run free.
- Clean up interrupt registers.

Possible Error Messages

Timer Free Running Mode Error

```
Address = %X
start count = %X
end count = %X
```



```
Timer Error, expected the Limit Bit to be set
Address = %X
Data = %X
```

```
Interrupt table has incorrect value
expected = %4X
observed = %4X
```

```
Interrupt Pending Register has incorrect value
level = %d
expected = %4X
observed = %4X
```

```
User Timer mode not counting
start count = %X.%X
end count = %X.%X
```

Subtest: BW Tag RAM 6N

- ID: 18.1
- Level: 8
- Attributes: Test Module
Initialization Module

Test the Bus Watcher Tag RAMs with a 6N algorithm.

The test is meant to be called by the POST sequencer. The code is meant to be run in diag mode only. The test is executed from the CPU's Icache.

- Determine BW tag size and mode configured.
- Execute the 6N test on the tags.
- First pass: write in ascending order.
- Second pass: read-then-write in ascending order.
- Third pass: read-compare in descending order.
- Loop for all patterns.

Possible Error Messages

```
Data Compare Error
address = %X
expected = %X
observed = %X
```

○○○● ○○○●

BW1 Regs

0x13

- ID: 19.0
- Attributes: C2 Mandatory Test
C1 Mandatory Test
- Diagnosis: BWA1
BWB1

Test the registers and tags on Bus Watcher 1.

Subtest: C_1 BW

- ID: 19.1
- Level: 1
- Attributes: Initialization Module
Error is Fatal

Establish the board configuration for this test.

Possible Error Messages

This module does not check or report errors.

Subtest: BW Registers

- ID: 19.2
- Level: 8
- Attributes: Test Module
Initialization Module

Test the read and write accessibility of all BW ASIC registers, using all access sizes allowed. The addresses of the BW registers are in CSR space and Local space; the test uses both address spaces. If any access causes a data access exception or unexpected interrupt, the test aborts with a FAIL status.

Possible Error Messages

```
While testing %s register an unexpected trap occurred
MFSR = %X
MFAR = %X
Trap Type = %2x
CC Error = %X.%X
```

```
Unexpected Component ID value
  address = %X
  expected = %X or %X
  observed = %X

%s register failed to return correct data
  address = %X
  expected = %X
  observed = %X

%s register failed to return correct data
  expected = %X.%X
  observed = %X.%X

Floating a bit through %s register failed
  expected = %X
  observed = %X

Floating a bit through %s register failed
  expected = %X.%X
  observed = %X.%X
```

Subtest: Timers and Interrupts

- ID: 19.3
- Level: 8
- Attributes: Test Module
Initialization Module

Test timer in free running mode, no interrupts.

- Make sure the prescaler is initialized for 1 microsecond.
- Configure Ptimer for non-UT mode.
- First do the Ptimer, then do the Ttimer.
- Clear all interrupt registers.
- Set timer to run free.
- Stall for a few milliseconds.
- Make sure the counter did some counting.
- Check the interrupt table (should be 0).

Test both P and T timer in limit mode with interrupts.

- First do the Ptimer, then do the Ttimer.
- Set timer to run free.
- Clear all interrupt registers.
- Set limit to 100 and see if interrupt is generated.
- Stall for a few milliseconds.
- Check the limit bits.
- Check the interrupt table.
- Check the interrupt pending.
- Setup for tick timer.
- Set timer to free running mode - turn off interrupts.

Test User Timer Mode.

- Configure the Ptimer for User Timer mode.
- Make sure it counts.

Test alarm clock interrupts.

- First do the Ptimer, then do the Ttimer.
- Set timer to run free.
- Clear all interrupt registers.
- Set ND limit to 100 and see if interrupt is generated.
- Stall for a few milliseconds.
- Check the limit bits.
- Check the interrupt table.
- Check the interrupt pending.
- Setup for tick timer.
- Set timer to free running mode - turn off interrupts.

Clean up everything.

- Configure Ptimer for non-UT mode.
- Set timer to run free.
- Clean up interrupt registers.

Possible Error Messages

Timer Free Running Mode Error

```
Address = %X
start count = %X
end count = %X
```

```
Timer Error, expected the Limit Bit to be set
Address = %X
Data = %X
```

```
Interrupt table has incorrect value
expected = %4X
observed = %4X
```

```
Interrupt Pending Register has incorrect value
level = %d
expected = %4X
observed = %4X
```

```
User Timer mode not counting
start count = %X.%X
end count = %X.%X
```

Subtest: BW Tag RAM 6N

- ID: 19.1
- Level: 8
- Attributes: Test Module
Initialization Module

Test the Bus Watcher Tag RAMs with a 6N algorithm.

The test is meant to be called by the POST sequencer. The code is meant to be run in diag mode only. The test is executed from the CPU's Icache.

- Determine BW tag size and mode configured.
- Execute the 6N test on the tags.
- First pass: write in ascending order.
- Second pass: read-then-write in ascending order.
- Third pass: read-compare in descending order.
- Loop for all patterns.

Possible Error Messages

```
Data Compare Error
address = %X
expected = %X
observed = %X
```

○○○● ○●○○ **BW Interleave** **0x14**

- ID: 20.0
- Attributes: C2 Mandatory Test
- Diagnosis: BWA0
BWA1
BWB0
BWB1

Make sure that BW addressing interleaves correctly across the XDBus.

Subtest: C_2 BW

- ID: 20.1
- Level: 1
- Attributes: Initialization Module
Error is Fatal

Establish the board configuration for this test.

Possible Error Messages

This module does not check or report errors.

○○○● ○●○○ **C2 BW Tags** **0x15**

- ID: 21.0
- Attributes: C2 Mandatory Test
- Diagnosis: BWA0
BWA1
BWB0
BWB1

Set Configuration 2 and test the Bus Watcher tags.

Subtest: BW Tag RAM 6N

- ID: 21.1
- Level: 17
- Attributes: Test Module
Initialization Module

Test the Bus Watcher Tag RAMs with a 6N algorithm. The test is meant to be called by the POST sequencer. The code is meant to be run in diag mode only. The test is executed from the CPU's Icache.

- Determine BW tag size and mode configured.
- Execute the 6N test on the tags.
- First pass: write in ascending order.
- Second pass: read-then-write in ascending order.
- Third pass: read-compare in descending order.
- Loop for all patterns.

Possible Error Messages

```
Data Compare Error
address = %X
expected = %X
observed = %X
```

○○○● ●●○○

Memory Ring

0x1C

- ID: 28.0
- Attributes: General Purpose
- Diagnosis: MQH0
MQH1

Verify the JTAG scan ring for the MQHs.

Subtest: XDBus setup C_0

- ID: 28.1
- Level: 1
- Attributes: Error is Fatal

Set up XDBus 0 configuration.

Possible Error Messages

This module does not check or report errors.

Subtest: Verify Memory Ring

- ID: 28.2
- Level: 1
- Attributes: Test Module

Scan in the ring containing the MQH ASICs; verify the JTAG data is correct.

Possible Error Messages

JTAG TAP state machine not responding
 Incorrect arguments passed by caller
 JTAG component ID does not match
 JTAG ring continuity test failed
 State after initialization not expected
 Ring length does not match expected

○○○● ●●●○

C0 MQH

0x1E

- ID: 30.0
- Attributes: General Purpose
- Diagnosis: MQH0

Set Configuration 0 and test the MQH.

Subtest: C_0 BW ,MQH

- ID: 30.1
- Level: 1
- Attributes: Error Terminates Sequencer
Error is Fatal

Establish the board configuration for this test.

Possible Error Messages

This module does not check or report errors.

Subtest: MQH Registers

- ID: 30.2
- Level: 8
- Attributes: Test Module
Error Terminates Sequencer

Test the read and write accessibility of the MQH ASIC registers, using all access sizes allowed. The addresses of the MQH registers are in CSR space. If any access causes a data access exception or unexpected interrupt, the test aborts with a FAIL status.

The ECC Error registers are read only. Testing is limited to insuring that register access does not cause a trap and that all error bits are cleared.

The Group Type registers are read only; they are not tested.

To prevent losing refresh, the Refresh Enable bit in the MCSR is never reset.

When appropriate, the test restores the original value it found in the register.

Possible Error Messages

While testing %s register an unexpected trap occurred

```
MFSR = %X
MFAR = %X
Trap Type = %2x
CC Error = %X.%X
```

Unexpected Component ID value

```
address = %X
expected = %X or %X
observed = %X
```

%s register failed to return correct data

```
address = %X
expected = %X
observed = %X
```

```
%s register failed to return correct data
expected = %X.%X
observed = %X.%X
```

```
Floating a bit through %s register failed
expected = %X
observed = %X
```

```
Floating a bit through %s register failed
expected = %X.%X
observed = %X.%X
```

Subtest: MQH Initialization

- ID: 30.3
- Level: 1
- Attributes: Error is Fatal

Set up the MQH timing registers and control register. Timing values loaded depend on the types of SIMMs present. Turn on Refresh Enable, set Refresh Count, Request Delay.

Possible Error Messages

This module does not check or report errors.

Subtest: Enable ECC

- ID: 30.4
- Level: 1
- Attributes: Error is Fatal

Enable ECC checking on the MQH.

Possible Error Messages

This module does not check or report errors.

Subtest: Memory

- ID: 30.5
- Level: 8
- Attributes: Test Module

Test all memory on this MQH. If a group with memory is not found, return FAIL. The purpose of the test is to test enough memory to allow the consistency tests to run. The memory test functions are loaded into the Icache for speed.

Short memory test algorithm:

- Clear number of memory faults in current test.
- Load the CC Stream Data register with alternate patterns.
- Now loop through memory, writing 64 bytes at a time.
- Check the memory.
- Set up and load the alternate pattern.
- Loop through memory, writing 64 bytes at a time.
- Check the memory.
(The permanent ECC handler handles memory errors.)
- If the faults exceed 2, return fail.

Long memory test algorithm:

- Clear number of memory faults in current test.
- Loop through a set of long patterns.
- Load stream data register with pattern.
- Fill memory with pattern.
- Load stream data register with ~pattern.
- Read, then write ~pattern.
- Read ~pattern, write pattern, read.

Possible Error Messages

```
Memory Compare Failure
  Addr %X
  Expected %X.%X
  Observed %X.%X
```

Subtest: Config Memory Available

- ID: 30.6
- Level: 1
- Attributes: Error is Fatal

Count the amount of memory available in the current configuration.

Possible Error Messages

This module does not check or report errors.

○○○● ●●●●

C0 IO Ring

0x1F

- ID: 31.0
- Attributes: General Purpose
- Diagnosis: IOC0
IOC1
SBI

Verify the JTAG scan ring for the SBI and IOCs.

Subtest: Verify IO Ring

- ID: 31.2
- Level: 1
- Attributes: Test Module

Scan in the ring containing the IOC and SBI ASICs; verify that the JTAG data is correct.

Possible Error Messages

JTAG TAP state machine not responding

Incorrect arguments passed by caller

JTAG component ID does not match

JTAG ring continuity test failed

State after initialization not expected

Ring length does not match expected

○○●○ ○○○○

C0 IOC**0x20**

- ID: 32.0
- Attributes: General Purpose
- Diagnosis: IOC0

Set Configuration 0 and test the IOC.

Subtest: C_0 BW , IOC

- ID: 32.1
- Level: 1
- Attributes: Error Terminates Sequencer
Error is Fatal

Establish the board configuration for this test.

Possible Error Messages

This module does not check or report errors.

Subtest: IOC Registers

- ID: 32.2
- Level: 8
- Attributes: Test Module
Error Terminates Sequencer

Test the read and write accessibility of all IOC ASIC registers, using all access sizes allowed. The addresses of the IOC registers are in CSR space. If any access causes a data access exception or unexpected interrupt, the test aborts with a FAIL status.

Possible Error Messages

```
While testing %s register an unexpected trap occurred
MFSR = %X
MFAR = %X
Trap Type = %2x
CC Error = %X.%X
```

Unexpected Component ID value

address = %X
expected = %X or %X
observed = %X

%s register failed to return correct data

address = %X
expected = %X
observed = %X

%s register failed to return correct data

expected = %X.%X
observed = %X.%X

Floating a bit through %s register failed

expected = %X
observed = %X

Floating a bit through %s register failed

expected = %X.%X
observed = %X.%X

Subtest: IOC XDBus Tags

- ID: 32.3
- Level: 8
- Attributes: Test Module

Read, write, and verify the IOC's XDBus tags.

Possible Error Messages

Data Compare Error

address = %X
expected = %X
observed = %X

Subtest: IOC SBus Tags

- ID: 32.4
- Level: 8
- Attributes: Test Module

Read, write, and verify the IOC's SBus tags.

Possible Error Messages

```
Data Compare Error
  address = %X
  expected = %X
  observed = %X
```

Subtest: IOC Cache RAM

- ID: 32.5
- Level: 8
- Attributes: Test Module

Read, write, and verify the IO Cache RAM.

Possible Error Messages

```
Data Compare Error
  address = %X
  expected = %X
  observed = %X
```

○○●○ ○○○●

C0 SBI**0x21**

- ID: 33.0
- Attributes: General Purpose
- Diagnosis: SBI

Test the SBI ASIC.

Subtest: SBI Initialization

- ID: 33.1
- Level: 1
- Attributes: Error Terminates Sequencer
Error is Fatal

Initialize all SBI registers to the default values.

Possible Error Messages

This module does not check or report errors.

Subtest: SBI Registers

- ID: 33.2
- Level: 8
- Attributes: Test Module
Error Terminates Sequencer

Test the read and write accessibility of all SBI ASIC registers, using all access sizes allowed. The addresses of the SBI registers are in ECSR space. If any access causes a data access exception or unexpected interrupt, the test aborts with a `FAIL` status.

The SBI Interrupt registers, with the exception of the Interrupt Target ID, are not tested here, but are tested in the SBus Interrupts test described on page 2-42.

Possible Error Messages

While testing %s register an unexpected trap occurred

```
MFSR = %X
MFAR = %X
Trap Type = %2x
CC Error = %X.%X
```

Unexpected Component ID value

```
address = %X
expected = %X or %X
observed = %X
```

%s register failed to return correct data

```
address = %X
expected = %X
observed = %X
```

%s register failed to return correct data

```
expected = %X.%X
observed = %X.%X
```

Floating a bit through %s register failed

```
expected = %X
observed = %X
```

Floating a bit through %s register failed

```
expected = %X.%X
observed = %X.%X
```

%s fields SEGA, C, S updated when WSA = 0

```
expected = %X
observed = %X
```

Subtest: SBI Initialization

- ID: 33.3
- Level: 1
- Attributes: Error Terminates Sequencer
Error is Fatal

Initialize all SBI registers to the default values.

Possible Error Messages

This module does not check or report errors.

Subtest: SBus Interrupts

- ID: 33.4
- Level: 8
- Attributes: Test Module

Test all levels of SBus interrupts for all SBus slots. Verify that the correct interrupt state is recorded in the BW, MXCC and SBI ASICs. Insure that the correct SPARC interrupt level is delivered to the CPU. This test is executed on each board by the CPU on that board. The system uses this test for SBus slots on non-processor boards.

- Mask all interrupts except Level 15.
- Clear all existing interrupt states.
- Establish this board's BW as the target for this SBus's interrupts.
- Verify the CC transaction to the SBI interrupt target register.
- Loop for all Levels (SBus has levels 1 through 7).
- Loop for all slots (each board has 4 SBus slots).
- Use diagnostic register to generate SBus interrupt.
- Issue a TAKE and check the state register.
- Issue a GIVE and check the state register.
- Check BW interrupt table.
- Check CC interrupt pending.
- Unmask the interrupt and insure the CPU gets the correct interrupt.
- Do necessary housekeeping.
- Clean up before exiting.

Possible Error Messages

```
Failed to establish new targer id, Board %x
Address = %X
expected = %2X
observed = %2X
```

```
Incorrect Interrupt State, Board %x
Address = %X
expected = %2X
observed = %2X
```

```

Incorrect CC Interrupt Pending, Board %x Slot %x
  Address = %X
  expected = %4X
  observed = %4X

```

```

Incorrect BW Interrupt Table, Board %x Slot %x
  Address = %X
  expected = %4X
  observed = %4X

```

```

SBus Interrupt not delivered to CPU, Board %x
  Slot = %x
  Level = %x
  Trap Type = %2x

```

○○●○ ○○●○

C0 SBus Cards

0x22

- ID: 34.0
- Attributes: General Purpose
- Diagnosis: None

Probe all SBus slots to see if an SBus card responds.

Subtest: SBI Initialization

- ID: 34.3
- Level: 1
- Attributes: Error Terminates Sequencer
Error is Fatal

Initialize all SBI registers to the default values.

Possible Error Messages

This module does not check or report errors.

Subtest: Checking for SBus cards

- ID: 34.5
- Level: 1
- Attributes: Test Module

Check each slot to see if a card responds.

Possible Error Messages

This module does not check or report errors.

○○●○ ○●●●

C0 XDBus Timing

0x23

- ID: 35.0
- Attributes: General Purpose
- Diagnosis: BootBus

Using the TOD, compute the system crystal frequency.

Subtest: C_0 BW

- ID: 35.1
- Level: 1
- Attributes: Error Terminates Sequencer
Error is Fatal

Establish the board configuration for this test.

Possible Error Messages

This module does not check or report errors.

Subtest: Compute XDBus Frequency

- ID: 35.1
- Level: 1
- Attributes: Error Terminates Sequencer
Error is Fatal

Using the TOD, compute the system crystal frequency to the nearest MHz.

Possible Error Messages

This module does not check or report errors.

Subtest: TOD Delay

- ID: 35.1
- Level: 17
- Attributes: Error is Fatal

Use the TOD for a timed delay, allowing SBus devices to perform self initialization.

Possible Error Messages

This module does not check or report errors.

○○●○ ○●○○

C0 XPT

0x24

- ID: 36.0
- Attributes: General Purpose
- Diagnosis: SBI

Set Configuration 0 and test the IO external page tables.

Subtest: C_0 BW , IOC

- ID: 36.1
- Level: 17
- Attributes: Error Terminates Sequencer
Error is Fatal

Establish the board configuration for this test.

Possible Error Messages

This module does not check or report errors.

Subtest: XPT Read Write

- ID: 36.2
- Level: 17
- Attributes: Test Module

Test the functionality of the external page tables.

- For the first part of the test, force parity.
- Set up the SBI control register.

- Do a 6N test.
- Load a new pattern.
- Test with the next pattern.
- First pass: write in ascending order.
- Second pass: read-then-write in ascending order.
- Third pass: read-compare in descending order.
- Move the pattern pointer along.
- Loop for all patterns.
- Restore original SBI control register.
- Test with some even and odd parity patterns.
- Clear the XPT so that there is good parity.

Possible Error Messages

```
Data Compare Error
address = %X
expected = %X
observed = %X
```

○○●○ ○●○○

C0 BW MQH Consistency

0x25

- ID: 37.0
- Attributes: General Purpose
- Diagnosis: MQH0

Set Configuration 0 and test consistency between BW and main memory.

Subtest: C_0 BW, MQH

- ID: 37.1
- Level: 17
- Attributes: Error Terminates Sequencer
Error is Fatal

Establish the board configuration for this test.

Possible Error Messages

This module does not check or report errors.

Subtest: BW MQH Cache Consistency

- ID: 37.1
- Level: 17
- Attributes: Test Module

Test consistency between the external cache subsystem and the memory (CC, BW, MEM).

The IOC chip is frozen for this test.

- Assign a test address for each board.
(Each board has a cache line in virtual page 0.)
- Set the line to valid and owned by this cache.
- Fill the line with a test pattern.
(Each subblock will have a different pattern.)
- Read and verify the first doubleword of each subblock.
- Read hit (external cache will return the data to CPU).
- Victimize this line, check the new tag.
- Check main memory to verify that the Ecache flush occurred.
- Verify that this new line will not have owner set.
- Read miss (fill from main memory).
- Check data and tags.

Possible Error Messages

Note – This is a common group of error messages used by all the POST Consistency tests.

```
Block compare failed
  load address = %X data = %X.%X
  store address = %X data = %X.%X
```

```
Block check error
  address = %X
  expected = %X
  observed = %X
```

```
Stream ready bit timed out
```

```
Check tags failed
  cctag=%X.%X exp. state = %x
  bwtag=%X exp. state %x
```

```
Check Dcache tags failed
  address = %X
  expected valid bit = %x
  observed valid = %x

DCache tag has inconsistent state
  ptag = %X.%X

Read hit Ecache data error
  addr = %X
  expected = %X.%X
  observed = %X.%X

Read miss Ecache data error
  address = %X
  expected = %X.%X
  observed = %X.%X

Victimize error for address = %X

Write invalidate failed for address = %X

IO loopback read data error
  address = %X
  expected = %X.%X
  observed = %X.%X

IO loopback read miss failed, address = %X

IO loopback read hit failed, address = %X

IO loopback write miss failed, address = %X

IO loopback write hit failed, address = %X

IO cache shared owner failed, address = %X

IOC check tags line = %dex = %X %Xob = %X %X

IOC check data ex = %X ob = %X word = %d

IO cache flush data error
  address = %X
  expected = %X.%X
  observed = %X.%X
```



```

CPU read data
  address = %X
  expected = %X.%X
  observed = %X.%X

```

```

Check RefMiss count
  expected CRC=%X CMC=%X
  observed CRC=%X CMC=%X

```

○○●○ ○●●○

C0 IOC MQH Consistency

0x26

- ID: 38.0
- Attributes: General Purpose
- Diagnosis: IOC0
MQH0

Set Configuration 0 and test consistency between IOC and main memory.

Subtest: C_0 BW , IOC , MQH

- ID: 38.1
- Level: 17
- Attributes: Error Terminates Sequencer
Error is Fatal

Establish the board configuration for this test.

Possible Error Messages

This module does not check or report errors.

Subtest: SBus Loopback

- ID: 38.2
- Level: 17
- Attributes: Test Module

Use the SBus loopback feature of the SBI ASIC to test and exercise the paths between the CPU and SBus and the SBus and main memory. IO cache and CPU cache transactions are also verified. This test is not run unless main memory is accessible.

Stream Mode and XPT Bypass:

- Insure tags are cleared.
- Set slot configuration registers.
- Clear all error bits.
- SEGA =0, Slot Reset, Stream Mode, 64 Byte Burst, Bypass XPT.
- Clear some memory.
- SBus loopback: write data; data = offset.
(Data should have looped to memory.)
- See if any SBI errors were set.
- Verify the memory data.
- Negate the data in memory.
- SBus loopback: read the memory a word at a time, and check for errors.
(Data should have looped from memory.)
- Verify the read data.

Consistent Mode and XPT Bypass use the same procedure as above, except Consistent Mode is selected and the IOC tags are verified for the correct state.

- Insure tags are cleared.
- Set slot configuration registers.
- Clear all error bits.
- SEGA =0, Slot Reset, Stream Mode, 64 Byte Burst, Bypass XPT.
- Clear some memory.
- SBus loopback: write data; data = offset.
- Check IOC tags for correct state.
(Data should have looped to memory.)
- See if any SBI errors were set.
- Verify the memory data.
- Negate the data in memory.
- SBus loopback: read the memory a word at a time, and check for errors.
- Check IOC tags for correct state.
(Data should have looped from memory.)

Possible Error Messages

```
SBI Detected Errors, Board %x Slot %x
  Status = %X, Slot Config = %X
```

```
Bypass Stream Write Failed, Slot %x
  expected = %X
  observed = %X
```

```
Bypass Stream Read Failed, Slot %x
  expected = %X
  observed = %X

Bypass Consistent Write Failed, Slot %x
  expected = %X
  observed = %X

Bypass Consistent Read Failed, Slot %x
  expected = %X
  observed = %X

SBI Flush Write Buffers timed out, Slot %x
  Stream Buffer Control Register = %X

WARNING Test skipped, no memory in configuration [%X]
```

Subtest: IOC MQH Consistency

- ID: 38.3
- Level: 17
- Attributes: Test Module

Test consistency between the IO Cache and main memory.

- Assign a test address for each board.
(Each board has a cache line in virtual page 0.)
- Put test data in memory.
- Initialize the IO chips for loopback operation.
- Verify that a read will miss and cause an IOC line fill.
- Verify that a read to the same address will hit in the IOC.
- Verify that a write miss will cause an IOC line fill.
- Verify that a write will hit in the IOC and update the IOC data.
- Verify that the IOC is the owner and will reply with a CPU read.
- Verify that the data became shared.

Verify that the IOC will flush owned data to memory.

- (A write miss must cause an IOC line fill.
This write will hit in the IOC and update the IOC data.)
- Issue a read for address alias (flush).
(The IOC must flush the dirty line to memory.)
- Check IOC flushed data.

Possible Error Messages

Block compare failed
load address = %X data = %X.%X
store address = %X data = %X.%X

Block check error
address = %X
expected = %X
observed = %X

Stream ready bit timed out

Check tags failed
cctag=%X.%X exp. state = %x
bwtag=%X exp. state %x

Check Dcache tags failed
address = %X
expected valid bit = %x
observed valid = %x

DCache tag has inconsistent state
ptag = %X.%X

Read hit Ecache data error
addr = %X
expected = %X.%X
observed = %X.%X

Read miss Ecache data error
address = %X
expected = %X.%X
observed = %X.%X

Victimize error for address = %X

Write invalidate failed for address = %X

IO loopback read data error
address = %X
expected = %X.%X
observed = %X.%X

IO loopback read miss failed, address = %X

```

IO loopback read hit failed, address = %X
IO loopback write miss failed, address = %X
IO loopback write hit failed, address = %X
IO cache shared owner failed, address = %X
IOC check tags line = %dex = %X %Xob = %X %X
IOC check data ex = %X ob = %X word = %d
IO cache flush data error
  address = %X
  expected = %X.%X
  observed = %X.%X

CPU read data
  address = %X
  expected = %X.%X
  observed = %X.%X

Check RefMiss count
  expected CRC=%X CMC=%X
  observed CRC=%X CMC=%X

```

○○●○ ○●●●

C0 BW IOC Consistency

0x27

- ID: 39.0
- Attributes: General Purpose
- Diagnosis: IOC0

Set Configuration 0 and test consistency between BW and IOC.

Subtest: C_0 BW , IOC , MQH

- ID: 39.1
- Level: 17
- Attributes: Error Terminates Sequencer
Error is Fatal

Establish the board configuration for this test.

Possible Error Messages

This module does not check or report errors.

Subtest: Cache States

- ID: 39.1
- Level: 17
- Attributes: Test Module
Initialization Module

Walk the MXCC state table through all state transitions except the ones that require Write Invalidate Mode and another CPU.

The IOC is used in loopback mode to effect foreign reads and writes.

The following transitions are tested:

- Invalid to Valid, not Shared, Owner.
- Invalid to Valid, Shared, not Owner.
- Invalid to Valid, not Shared, not Owner.
- Valid to Valid via CPU read.
- Valid to Valid, not Shared, owner.
- Valid to Valid, Shared, not Owner via foreign read.
- Valid to Valid, Shared, not Owner via foreign write miss.
- Owner to Owner via CPU write.
- Owner to Owner via CPU read.
- Owner to Shared, Owner.
- Shared to Shared, Owner.
- Shared to Shared via CPU read.
- Shared to Shared via foreign read.
- Shared to Shared via foreign write.
- Shared to Shared via foreign write miss.
- Shared and Owner to Owner.
- Shared and Owner to Shared.
- Shared and Owner to Shared, Owner via CPU write.
- Shared and Owner to Shared, Owner via CPU read .
- Shared and Owner to Shared, Owner via foreign read.
- Shared and Owner to Shared via foreign write miss.

Possible Error Messages

```
Block compare failed
  load address = %X data = %X.%X
  store address = %X data = %X.%X

Block check error
  address = %X
  expected = %X
  observed = %X

Stream ready bit timed out

Check tags failed
  cctag=%X.%X exp. state = %x
  bwtag=%X exp. state %x

Check Dcache tags failed
  address = %X
  expected valid bit = %x
  observed valid = %x

DCache tag has inconsistent state
  ptag = %X.%X

Read hit Ecache data error
  addr = %X
  expected = %X.%X
  observed = %X.%X

Read miss Ecache data error
  address = %X
  expected = %X.%X
  observed = %X.%X

Victimize error for address = %X

Write invalidate failed for address = %X

IO loopback read data error
  address = %X
  expected = %X.%X
  observed = %X.%X

IO loopback read miss failed, address = %X
```

```
IO loopback read hit failed, address = %X
IO loopback write miss failed, address = %X
IO loopback write hit failed, address = %X
IO cache shared owner failed, address = %X
IOC check tags line = %dex = %X %Xob = %X %X
IOC check data ex = %X ob = %X word = %d
IO cache flush data error
  address = %X
  expected = %X.%X
  observed = %X.%X

CPU read data
  address = %X
  expected = %X.%X
  observed = %X.%X

Check RefMiss count
  expected CRC=%X CMC=%X
  observed CRC=%X CMC=%X
```

Subtest: BW IOC Consistency

- ID: 39.2
- Level: 17
- Attributes: Test Module

Test Consistency between the BW, CC, IO Cache, and main memory.

- Assign a test address for each board.
(Each board has a cache line in virtual page 0.)
- Put test data in memory.
- Initialize the IO chips for loopback operation.
- Verify that a read will miss and cause an IOC line fill.
- Check BW, CC, and IOC tags for correct state.
- Verify that a read to the same address will hit in the IOC.
- Check BW, CC, and IOC tags for correct state.
- Verify that a write miss will cause an IOC line fill.
- Check BW, CC, and IOC tags for correct state.
- Verify that a write will hit in the IOC and update the IOC data.

- Check BW, CC, and IOC tags for correct state.
- Verify that the IOC is the owner and will reply with a CPU read.
- Verify that the data became shared.
- Check BW, CC, and IOC tags for correct state.

Verify that the IOC will flush owned data to memory.

- (A write miss must cause an IOC line fill.)
- Check BW, CC, and IOC tags for correct state.
(This write will hit in the IOC and update the IOC data.)
- Check BW, CC, and IOC tags for correct state.
- Issue a read for address alias (flush).
(The IOC must flush the dirty line to memory.)
- Check BW, CC, and IOC tags for correct state.
- Check IOC flushed data.

Possible Error Messages

Block compare failed

```
load address = %X data = %X.%X
store address = %X data = %X.%X
```

Block check error

```
address = %X
expected = %X
observed = %X
```

Stream ready bit timed out

Check tags failed

```
cctag=%X.%X exp. state = %x
bwtag=%X exp. state %x
```

Check Dcache tags failed

```
address = %X
expected valid bit = %x
observed valid = %x
```

DCache tag has inconsistent state

```
ptag = %X.%X
```

```
Read hit Ecache data error
  addr = %X
  expected = %X.%X
  observed = %X.%X

Read miss Ecache data error
  address = %X
  expected = %X.%X
  observed = %X.%X

Victimize error for address = %X

Write invalidate failed for address = %X

IO loopback read data error
  address = %X
  expected = %X.%X
  observed = %X.%X

IO loopback read miss failed, address = %X

IO loopback read hit failed, address = %X

IO loopback write miss failed, address = %X

IO loopback write hit failed, address = %X

IO cache shared owner failed, address = %X

IOC check tags line = %dex = %X %Xob = %X %X

IOC check data ex = %X ob = %X word = %d

IO cache flush data error
  address = %X
  expected = %X.%X
  observed = %X.%X

CPU read data
  address = %X
  expected = %X.%X
  observed = %X.%X
```

Check RefMiss count
expected CRC=%X CMC=%X
observed CRC=%X CMC=%X

○○●○ ●○○●

SPARC Module Board Master**0x29**

- ID: 41.0
- Attributes: General Purpose
- Diagnosis: CPUA Module
CPUA Module
CPUB Module
CPUB Module

Test all functional elements of the SPARC Module.

Subtest: C_0 BW ,MQH

- ID: 41.1
- Level: 8
- Attributes: Error Terminates Sequencer
Error is Fatal

Establish the board configuration for this test.

Possible Error Messages

This module does not check or report errors.

Subtest: CPU and Cache

- ID: 41.2
- Level: 8
- Attributes: Test Module
Error Terminates Sequencer

Test the functionality of the CPU and Ecache on the SPARC module.

- Data Prefetcher. Data Cache must be enabled. Issue a series of LDDs/STDs with Data Prefetcher off, then with Data Prefetcher on, and compare non-prefetched buffers with prefetched buffers. (The data should be identical).
- SB Stress. Issue a series of stores with Store Buffer off, then with Store Buffer on, and compare the memory data. (The data should be identical.)

- Store Buffer Cacheable. Issue 8 cacheable store doubles and check the Store Buffer tags as well as the data. Read and check the memory data.
- Store Buffer (store/load) Stall CPU(snooping). Issue consecutive store/load pairs to insure that the loads are stalled until the stores complete.
- Store Buffer Access. Issue stores of all sizes and on all boundaries and check the memory data.
- CC Prefetch. Verify the CC prefetch logic. When prefetch is enabled, a prefetch should occur under the following conditions: when the next sequential subblock of the one just fetched is not valid and contained within the same line, then prefetch. Burst Read Miss Subblock n Prefetch Subblock n+1. Note that prefetch is only issued for burst reads (the Dcache must be enabled).
- Issue a load for subblock 0, read the CC tag, and insure that subblock 0 and 1 are valid. Then issue a load for subblock 1 and insure that subblock 2 gets prefetched. Then issue a load for subblock 2 and insure subblock 3 gets prefetched.
- Flush Line. Verify that when a line is victimized, the valid blocks in the line get flushed to memory.
- SPARC Module Features. Test all SPARC module features. Fill a buffer with the feature off, then enable the feature and fill a second buffer. Compare the two buffers for equality. Features tested are : Store Buffer, Prefetcher, Cache, Cache, PSO, Snoop, Multi Instruction, Multi Command, Ecache Prefetch, and Write Invalidate.

Possible Error Messages

Store Buffer Memory Compare Error

```
address = %X
expected = %X.%X
observed = %X.%X
```

CC Prefetch failed

```
address = %X
fetch block = %1x
prefetch block = %1x
```

Flush Block did not update memory

```
address = %X
flush block = %1x
```

```
Flush Block disturbed wrong memory block
address = %X
flush block = %1x
```

```
Block Compare Error
Source Address = %X
Destination = %X
Byte Count = %X
```

```
Cache Data and Memory Data don't agree
doubleword = %1X
cache data = %X.%X
memory data = %X.%X
```

```
char sparc_enable_err_txt[]=
Data with features on not equal to data with features off
buffer index = %x
feature off data = %X.%X
feature on data = %X.%X
```

Subtest: MMU PTP Cache Invalidation

- ID: 41.3
- Level: 17
- Attributes: Test Module
Error Terminates Sequencer

Verify that the root and level 2 ptp caches are invalidated properly on context switches, ctp switches, and so on.

- Initialize root ptp and l2 ptp caches with valid entries.
- Do the following: write to ctx register; write ctp register; flush entire, flush context; flush region; flush segment; flush page.
- In each case, verify root ptp and l2 ptp caches are invalidated or left alone according to specifications.

This test issues demap packets (writes to TLB flush ASI). BWs and MQHs need to be on, and demap must be enabled in one MQH. It does not need memory.

Possible Error Messages

Wrong root ptp cache valid state

Wrong l2 ptp cache valid state

Subtest: MMU Stuff TLB Hit

- ID: 41.4
- Level: 17
- Attributes: Test Module
Error Terminates Sequencer

Test basic functionality of MMU TLB.

Context test:

- Initialize TLBs with unique contexts and ptes but same vaddr tag (= 0).
- Initialize target memory locations with unique data.
- Read from vaddr 0 using different contexts and verify that you get the correct data each time.

vaddr test:

- Initialize TLBs with unique vaddr and ptes but same context (= 0).
- Initialize target memory locations with unique data.
- Read from different vaddr (= Walking 1s pattern through bits 31:12) with ctx = 0, and verify that you get the correct data each time.

Assumption: Ecache is enabled.

No table walks are done in this test. Make sure ASI 0x20 accesses are cacheable so that memory packets are generated instead of I/O packets.

Possible Error Messages

Wrong data on read with tlb-hit

Wrong data on read with tlb-hit

Subtest: MMU Table Walk

- ID: 41.5
- Level: 17
- Attributes: Test Module
Error Terminates Sequencer

Test MMU table walk operation.

Probe l0 test:

- Initialize memory with unique l0 ptes.
- Do l0 probe using for the following cases: ctp = 0x80000, 0x40000, ..., 0x2000, 0 ctx = 0x8000, 0x4000, ..., 1. Verify that you get expected l0 ptp.

Probe l1 test:

- Initialize memory with unique l1 ptes.
- Clear l0 ptp register.
- Do l1 probe with all different index1, and verify that you get correct l1 pte.
- Verify l0 ptp register gets updated.

Probe l2 test:

- Initialize memory with unique l2 ptes.
- Do l1 probe with all different index2, and verify that you get correct l2 pte.

Probe l3 test:

- Initialize memory with unique l3 ptes.
- Clear l2 ptp register.
- Do l3 probe with all different index3 and verify that you get correct l3 pte.
- Verify l2 ptp register gets updated.

Probe entire test:

- Initialize memory with unique l3 ptes.
- Do entire probe with all different index3 and verify that you get correct l3 pte.
- Verify ref bit is updated.

Possible Error Messages

Wrong root pointer on l0 probe
Wrong l1 entry on l1 probe
Wrong root ptp cache
Wrong l2 entry on l2 probe
Wrong l3 entry on l3 probe
Wrong l2 ptp cache
Wrong l2 vaddr cache
Wrong l3 entry on l3 probe
Ref bit is not set

Subtest: MMU Flush

- ID: 41.6
- Level: 17
- Attributes: Test Module
Error Terminates Sequencer

Test MMU TLB flush operation.

Level0 (context):

- Initialize TLBs with unique ctx tags and same vaddr (= 0).
- ctx-flush with different ctxs and verify correct TLBs are invalidated after each flush.

Level1 (segment):

- Initialize TLBs with unique tags and same ctx (= 0).
- seg-flush with different index1 and verify correct TLBs are invalidated after each flush.

Level2 (region):

- Initialize TLBs with unique tags and same ctx (= 0).
- reg-flush with different index2 and verify correct TLBs are invalidated after each flush.

Level3 (page):

- Initialize TLBs with unique tags and same ctx (= 0).
- pag-flush with different index3 and verify correct TLBs are invalidated after each flush.

Level4 (entire):

- Initialize TLBs with unique tags and ctx.
- entire-flush and verify all TLBs are invalidated.

This test needs to enable MMU demaps().

Possible Error Messages

Wrong tlb after 10 flush

Wrong tlb after 11 flush

Wrong tlb after 12 flush

Wrong tlb after 13 flush

Wrong tlb after flush entire

Subtest: MMU TLB Lock

- ID: 41.7
- Level: 17
- Attributes: Test Module
Error Terminates Sequencer

The the locking of TLB entries.

- Set lock bits for all entries except 1.
- Initialize all TLBs with valid ptes, otherwise they will be replaced.
- Initialize memory with unique l1 ptes.
- Do probe entire for all different index1 and verify the unlocked entry is used each time.
- Repeat for other 63 entries.

Possible Error Messages

Wrong unlocked tlb entry

Subtest: MMU TLB Protection Error

- ID: 41.8
- Level: 17
- Attributes: Test Module
Error Terminates Sequencer

Test MMU protection access traps. Map EPROM, exit boot, and do the following tests.

Invalid addr error test:

- Initialize invalid pte in memory.
- Do access ld/st user/super data ld/st user/super instr.
- Verify that you got trap 0x9 and that the MMU sync error register is updated correctly in each case.
- Repeat for level1 through level3 ptes.

Protect error test:

- Initialize pte in memory with acc[2:0] = 0 through 7.
- Do access ld/st user/super data ld/st user/super instr.
- If there is an access error, verify that you got trap 0x9 and that the MMU sync error register is updated correctly. If there is no access error, verify that the MMU error register is not updated.
- Repeat for level1 through level3 ptes.

Possible Error Messages

No trap on illegal permissions access

Wrong mmu fsr on twalk protect error

Wrong mmu far on twalk protect error

Got unexpected trap

Got mfsr-fault-valid

Subtest: MMU Table Walk With Parity Error

- ID: 41.9
- Level: 17
- Attributes: Test Module
Error Terminates Sequencer

Do table walk with parity error.

- Make pte cacheable in Ecache.
- Do table walk without parity error.
- Repeat for different access types.
- Repeat for level 1-3 ptes.
- Repeat with parity error.

Possible Error Messages

No trap on twalk parity error

Wrong mmu fsr on twalk parity error

Wrong mmu far on twalk parity error

Subtest: MMU Table Walk With ECC Error

- ID: 41.10
- Level: 17
- Attributes: Test Module
Error Terminates Sequencer

Do table walk with ECC error.

- (ptes not cacheable in Ecache.)
- Do table walk with ce error.
- Repeat for different access types.
- Repeat for level 1-3 ptes.
- Repeat with ue error.

Possible Error Messages

No trap on table walk w/ue

Wrong mmu fsr on table walk w/ue

Wrong mmu far on table walk w/ue

Wrong mqh ue error addr reg after table-walk w/ue
 Wrong mqh ue error data reg after table-walk w/ue
 No trap on table walk w/ce
 Wrong mqh ce error addr reg after table-walk w/ce
 Wrong mqh ce error data reg ce after table-walk w/ce

○○●○ ●○○●

SPARC Module Board Slave

0x2B

- ID: 43.0
- Attributes: General Purpose
- Diagnosis: CPUA Module
 CPUB Module
 CPUB Module

Test all functional elements of the SPARC Module.

Subtest: Read MQH State

- ID: 43.1
- Level: 1
- Attributes: Error is Fatal

Read the alternate processor's MQH state array. (This is done so that the slave processor that calls this test does not rerun JTAG INIT on the board's MQH and cause possible refresh problems.)

Possible Error Messages

This module does not check or report errors.

Subtest: C_0 BW ,MQH

- ID: 43.2
- Level: 8
- Attributes: Error Terminates Sequencer
 Error is Fatal

Establish the board configuration for this test.

Possible Error Messages

This module does not check or report errors.

Subtest: CPU and Cache

- ID: 43.3
- Level: 8
- Attributes: Test Module
Error Terminates Sequencer

Test the functionality of the CPU and Cache on the SPARC module.

- Data Prefetcher. Data Cache must be enabled. Issue a series of LDDs/STDs with Data Prefetcher off, then with Data Prefetcher on, and compare non-prefetched buffers with prefetched buffers. (The data should be identical).
- SB Stress. Issue a series of stores with Store Buffer off, then with Store Buffer on, and compare the memory data. (The data should be identical.)
- Store Buffer Cacheable. Issue 8 cacheable store doubles and check the Store Buffer tags as well as the data. Read and check the memory data.
- Store Buffer (store/load) Stall CPU(snooping). Issue consecutive store/load pairs to insure that the loads are stalled until the stores complete.
- Store Buffer Access. Issue stores of all sizes and on all boundaries and check the memory data.
- CC Prefetch. Verify the CC prefetch logic. When prefetch is enabled, a prefetch should occur under the following conditions: when the next sequential subblock of the one just fetched is not valid and contained within the same line, then prefetch. Burst Read Miss Subblock n Prefetch Subblock n+1. Note that prefetch is only issued for burst reads (the Dcache must be enabled).
- Issue a load for subblock 0, read the CC tag, and insure that subblock 0 and 1 are valid. Then issue a load for subblock 1 and insure that subblock 2 gets prefetched. Then issue a load for subblock 2 and insure subblock 3 gets prefetched.
- Flush Line. Verify that when a line is victimized, the valid blocks in the line get flushed to memory.

- SPARC Module Features. Test all SPARC module features. Fill a buffer with the feature off, then enable the feature and fill a second buffer. Compare the two buffers for equality. Features tested are : Store Buffer, Prefetcher, Cache, Cache, PSO, Snoop, Multi Instruction, Multi Command, Ecache Prefetch, and Write Invalidate.

Possible Error Messages

Store Buffer Memory Compare Error

```
address = %X
expected = %X.%X
observed = %X.%X
```

CC Prefetch failed

```
address = %X
fetch block = %1x
prefetch block = %1x
```

Flush Block did not update memory

```
address = %X
flush block = %1x
```

Flush Block disturbed wrong memory block

```
address = %X
flush block = %1x
```

Block Compare Error

```
Source Address = %X
Destination = %X
Byte Count = %X
```

Cache Data and Memory Data don't agree

```
doubleword = %1X
cache data = %X.%X
memory data = %X.%X
```

char sparc_enable_err_txt[]=

```
Data with features on not equal to data with features off
buffer index = %x
feature off data = %X.%X
feature on data = %X.%X
```

Subtest: MMU PTP Cache Invalidation

- ID: 43.3
- Level: 17
- Attributes: Test Module
Error Terminates Sequencer

Verify that the root and level 2 ptp caches are invalidated properly on context switches, ctp switches, and so on.

- Initialize root ptp and l2 ptp caches with valid entries.
- Do the following: write to ctx register; write ctp register; flush entire; flush context; flush region; flush segment; flush page.
- In each case, verify that the root ptp and l2 ptp caches are invalidated or left alone, according to specifications.

This test issues demap packets (writes to TLB flush ASI). BWs and MQHs need to be on, and demap must be enabled in one MQH. It does not need memory.

Possible Error Messages

Wrong root ptp cache valid state

Wrong l2 ptp cache valid state

Subtest: MMU Stuff TLB Hit

- ID: 43.4
- Level: 17
- Attributes: Test Module
Error Terminates Sequencer

Test basic functionality of MMU TLB.

Context test:

- Initialize TLBs with unique contexts and ptes but same vaddr tag (= 0).
- Initialize target memory locations with unique data.
- Read from vaddr 0 using different contexts and verify that you get the correct data each time.

vaddr test:

- Initialize TLBs with unique vaddr and ptes but same context (= 0).
- Initialize target memory locations with unique data.
- Read from different vaddr (= Walking 1s pattern through bits 31:12) with ctx = 0, and verify that you get the correct data each time.

Assumption: Ecache is enabled.

No table walks are done in this test. Make sure ASI 0x20 accesses are cacheable so that memory packets are generated instead of I/O packets.

Possible Error Messages

Wrong data on read with tlb-hit

Wrong data on read with tlb-hit

Subtest: MMU Table Walk

- ID: 43.5
- Level: 17
- Attributes: Test Module
Error Terminates Sequencer

Test MMU table walk operation.

Probe l0 test:

- Initialize memory with unique l0 ptps.
- Do l0 probe using for the following cases: ctp = 0x80000, 0x40000, ..., 0x2000, 0 ctx = 0x8000, 0x4000, ..., 1 and verify that you get expected l0 ptp.

Probe l1 test:

- Initialize memory with unique l1 ptes.
- Clear l0 ptp register.
- Do l1 probe with all different index1 and verify that you get correct l1 pte.
- Verify l0 ptp register gets updated.

Probe l2 test:

- Initialize memory with unique l2 ptes.
- Do l1 probe with all different index2 and verify that you get correct l2 pte.

Probe l3 test:

- Initialize memory with unique l3 ptes.
- Clear l2 ptp register.
- Do l3 probe with all different index3 and verify that you get correct l3 pte.
- Verify l2 ptp register gets updated.

Probe entire test:

- Initialize memory with unique l3 ptes.
- Do entire probe with all different index3 and verify that you get correct l3 pte.
- Verify ref bit is updated.

Possible Error Messages

Wrong root pointer on l0 probe

Wrong l1 entry on l1 probe

Wrong root ptp cache

Wrong l2 entry on l2 probe

Wrong l3 entry on l3 probe

Wrong l2 ptp cache

Wrong l2 vaddr cache

Wrong l3 entry on l3 probe

Ref bit is not set

Subtest: MMU Flush

- ID: 43.6
- Level: 17
- Attributes: Test Module
Error Terminates Sequencer

Test MMU TLB flush operation.

Level0 (context):

- Initialize TLBs with unique ctx tags and same vaddr (= 0).
- ctx-flush with different ctxs and verify correct TLBs are invalidated after each flush.

Level1 (segment):

- Initialize TLBs with unique tags and same ctx (= 0).
- seg-flush with different index1 and verify correct TLBs are invalidated after each flush.

Level2 (region):

- Initialize TLBs with unique tags and same ctx (= 0).
- reg-flush with different index2 and verify correct TLBs are invalidated after each flush.

Level3 (page):

- Initialize TLBs with unique tags and same ctx (= 0).
- pag-flush with different index3 and verify correct TLBs are invalidated after each flush.

Level4 (entire):

- Initialize TLBs with unique tags and ctx.
- entire-flush and verify all TLBs are invalidated.

This test needs to enable mmu demaps().

Possible Error Messages

Wrong tlb after 10 flush

Wrong tlb after 11 flush

Wrong tlb after 12 flush

Wrong tlb after l3 flush

Wrong tlb after flush entire

Subtest: MMU TLB Lock

- ID: 43.7
- Level: 17
- Attributes: Test Module
Error Terminates Sequencer

Test the locking of TLB entries.

- Set lock bits for all entries except 1.
- Initialize all TLBs with valid ptes otherwise they will be replaced.
- Initialize memory with unique l1 ptes.
- Do probe entire for all different index1 and verify the unlocked entry is used each time.
- Repeat for other 63 entries.

Possible Error Messages

Wrong unlocked tlb entry

Subtest: MMU TLB Protection Error

- ID: 43.8
- Level: 17
- Attributes: Test Module
Error Terminates Sequencer

Test MMU protection access traps. Map EPROM, exit boot, and do the following tests.

Invalid addr error test:

- Initialize invalid pte in memory.
- Do access ld/st user/super data ld/st user/super instr.
- Verify that you got trap 0x9 and MMU sync error register is updated correctly in each case.
- Repeat for level1 through level3 ptes.

Protect error test:

- Initialize pte in memory with acc[2:0] = 0 through 7.
- Do access ld/st user/super data ld/st user/super instr.
- If there is an access error, verify that you got trap 0x9 and the MMU sync error register is updated correctly. If there is no access error, verify MMU error register is not updated.
- Repeat for level1 through level3 ptes.

Possible Error Messages

No trap on illegal permissions access

Wrong mmu fsr on twalk protect error

Wrong mmu far on twalk protect error

Got unexpected trap

Got mfsr-fault-valid

Subtest: MMU Table Walk With Parity Error

- ID: 43.9
- Level: 17
- Attributes: Test Module
Error Terminates Sequencer

Do table walk with parity error.

- Make pte cacheable in Ecache.
- Do table-walk without parity error.
- Repeat for different access types.
- Repeat for level 1-3 ptes.
- Repeat with parity error.

Possible Error Messages

No trap on twalk parity error

Wrong mmu fsr on twalk parity error

Wrong mmu far on twalk parity error

Subtest: MMU Table Walk With ECC Error

- ID: 43.10
- Level: 17
- Attributes: Test Module
Error Terminates Sequencer

Do table walk with ECC error.

- (ptes not cacheable in Ecache.)
- Do table walk with ce error.
- Repeat for different access types.
- Repeat for level 1-3 ptes.
- Repeat with ue error.

Possible Error Messages

No trap on table walk w/ue

Wrong mmu fsr on table walk w/ue

Wrong mmu far on table walk w/ue

Wrong mqh ue error addr reg after table-walk w/ue

Wrong mqh ue error data reg after table-walk w/ue

No trap on table walk w/ce

Wrong mqh ce error addr reg after table-walk w/ce

Wrong mqh ce error data reg ce after table-walk w/ce

○○●● ○●●●

C1 MQH

0x37

- ID: 55.0
- Attributes: General Purpose
- Diagnosis: MQH1

Set Configuration 1 and test MQH 1.

Subtest: C_1 BW ,MQH

- ID: 55.1
- Level: 1
- Attributes: Error Terminates Sequencer
Error is Fatal

Establish the board configuration for this test.

Possible Error Messages

This module does not check or report errors.

Subtest: MQH Registers

- ID: 55.2
- Level: 8
- Attributes: Test Module
Error Terminates Sequencer

Test the read and write accessibility of the MQH ASIC registers, using all access sizes allowed. The addresses of the MQH registers are in CSR space. If any access causes a data access exception or unexpected interrupt, the test aborts with a FAIL status.

The ECC Error registers are read only. Testing is limited to insuring that register access does not cause a trap and that all error bits are cleared.

The Group Type registers are read only; they are not tested.

To prevent losing refresh, the Refresh Enable bit in the MCSR is never reset.

When appropriate, the test restores the original value it found in the register.

Possible Error Messages

While testing %s register an unexpected trap occurred

```
MFSR = %X
MFAR = %X
Trap Type = %2x
CC Error = %X.%X
```

Unexpected Component ID value

```
address = %X
expected = %X or %X
observed = %X
```

%s register failed to return correct data

```
address = %X
expected = %X
observed = %X
```

%s register failed to return correct data

```
expected = %X.%X
observed = %X.%X
```

Floating a bit through %s register failed

```
expected = %X
observed = %X
```

Floating a bit through %s register failed

```
expected = %X.%X
observed = %X.%X
```

Subtest: MQH Initialization

- ID: 55.3
- Level: 1
- Attributes: Error is Fatal

Set up the MQH timing registers and control register. Timing values loaded depend on the types of SIMMs present. Turn on Refresh Enable, set Refresh Count, Request Delay.

Possible Error Messages

This module does not check or report errors.

Subtest: Enable ECC

- ID: 55.4
- Level: 1
- Attributes: Error is Fatal

Enables ECC checking on the MQH.

Possible Error Messages

This module does not check or report errors.

Subtest: Memory

- ID: 55.5
- Level: 8
- Attributes: Test Module

Test all memory on this MQH. If a group with memory is not found, return FAIL. The purpose of the test is to test enough memory to allow the consistency tests to run. The memory test functions are loaded into the Icache for speed.

Short memory test algorithm:

- Clear number of memory faults in current test.
- Load the CC Stream Data register with alternate patterns.
- Now loop through memory, writing 64 bytes at a time.
- Check the memory.
- Set up and load the alternate pattern.
- Loop through memory, writing 64 bytes at a time.
- Check the memory.
(The permanent ECC handler handles memory errors.)
- If the faults exceed 2, return fail.

Long memory test algorithm:

- Clear number of memory faults in current test.
- Loop through a set of long patterns.
- Load stream data register with pattern.
- Fill memory with pattern.
- Load stream data register with ~pattern.
- Read, then write ~pattern.
- Read ~pattern, write pattern, read.

Possible Error Messages

Memory Compare Failure

Addr %X

Expected %X.%X

Observed %X.%X

Subtest: Config Memory Available

- ID: 55.6
- Level: 1
- Attributes: Error is Fatal

Count the amount of memory available in the current configuration.

Possible Error Messages

This module does not check or report errors.

○○●● ●○○○

C1 IO Ring**0x38**

- ID: 56.0
- Attributes: General Purpose
- Diagnosis: IOC0
IOC1
SBI

Verify the JTAG IO ring.

Subtest: Verify IO Ring

- ID: 56.2
- Level: 1
- Attributes: Test Module

Scan in the ring containing the IOC and SBI ASICs; verify that the JTAG data is correct.

Possible Error Messages

JTAG TAP state machine not responding

Incorrect arguments passed by caller

JTAG component ID does not match
 JTAG ring continuity test failed
 State after initialization not expected
 Ring length does not match expected

○○●● ●○○●

C1 IOC

0x39

- ID: 57.0
- Attributes: General Purpose
- Diagnosis: IOC1

Set Configuration 1 and test IOC 1.

Subtest: C_1 BW, IOC, MQH

- ID: 57.1
- Level: 1
- Attributes: Error Terminates Sequencer
Error is Fatal

Establish the board configuration for this test.

Possible Error Messages

This module does not check or report errors.

Subtest: IOC Registers

- ID: 57.2
- Level: 8
- Attributes: Test Module
Error Terminates Sequencer

Test the read and write accessibility of all IOC ASIC registers, using all access sizes allowed. The addresses of the IOC registers are in CSR space. If any access causes a data access exception or unexpected interrupt, the test aborts with a FAIL status.

Possible Error Messages

While testing %s register an unexpected trap occurred

```
MFSR = %X
MFAR = %X
Trap Type = %2x
CC Error = %X.%X
```

Unexpected Component ID value

```
address = %X
expected = %X or %X
observed = %X
```

%s register failed to return correct data

```
address = %X
expected = %X
observed = %X
```

%s register failed to return correct data

```
expected = %X.%X
observed = %X.%X
```

Floating a bit through %s register failed

```
expected = %X
observed = %X
```

Floating a bit through %s register failed

```
expected = %X.%X
observed = %X.%X
```

Subtest: IOC XDBus Tags

- ID: 57.3
- Level: 8
- Attributes: Test Module

Read, write, and verify the IOC's XDBus tags.

Possible Error Messages

```
Data Compare Error
  address = %X
  expected = %X
  observed = %X
```

Subtest: IOC SBus Tags

- ID: 57.4
- Level: 8
- Attributes: Test Module

Read, write, and verify the IOC's SBus tags.

Possible Error Messages

```
Data Compare Error
  address = %X
  expected = %X
  observed = %X
```

Subtest: IOC Cache RAM

- ID: 57.5
- Level: 8
- Attributes: Test Module

Read, write, and verify the IO Cache RAM.

Possible Error Messages

Data Compare Error
 address = %X
 expected = %X
 observed = %X

○○●● ●○○○

C1 SBI**0x3A**

- ID: 58.0
- Attributes: General Purpose
- Diagnosis: SBI

Test the SBI ASIC.

Subtest: SBI Initialization

- ID: 58.1
- Level: 1
- Attributes: Error Terminates Sequencer
Error is Fatal

Initialize all SBI registers to the default values.

Possible Error Messages

This module does not check or report errors.

Subtest: SBI Registers

- ID: 58.2
- Level: 8
- Attributes: Test Module
Error Terminates Sequencer

Test the read and write accessibility of all SBI ASIC registers, using all access sizes allowed. The addresses of the SBI registers are in ECSR space. If any access causes a data access exception or unexpected interrupt, the test aborts with a FAIL status.

The SBI Interrupt registers, with the exception of the Interrupt Target ID, are not tested here, but are tested in the SBus Interrupts test described on page 2-87.

Possible Error Messages

While testing %s register an unexpected trap occurred

MFSR = %X
MFAR = %X
Trap Type = %2x
CC Error = %X.%X

Unexpected Component ID value

address = %X
expected = %X or %X
observed = %X

%s register failed to return correct data

address = %X
expected = %X
observed = %X

%s register failed to return correct data

expected = %X.%X
observed = %X.%X

Floating a bit through %s register failed

expected = %X
observed = %X

Floating a bit through %s register failed

expected = %X.%X
observed = %X.%X

%s fields SEGA, C, S updated when WSA = 0

expected = %X
observed = %X

Subtest: SBI Initialization

- ID: 58.3
- Level: 1
- Attributes: Error Terminates Sequencer
Error is Fatal

Initialize all SBI registers to the default values.

Possible Error Messages

This module does not check or report errors.

Subtest: SBus Interrupts

- ID: 58.4
- Level: 8
- Attributes: Test Module

Test all levels of SBus interrupts for all SBus slots. Verify that the correct interrupt state is recorded in the BW, MXCC and SBI ASICs. Insure that the correct SPARC interrupt level is delivered to the CPU. This test is executed on each board by the CPU on that board. SBus slots on non-processor boards will be tested using this test.

- Mask all interrupts except Level 15.
- Clear all existing interrupt states.
- Establish this board's BW as the target for this SBus's interrupts.
- Verify the CC transaction to the SBI interrupt target register.
- Loop for all Levels (SBus has levels 1 through 7).
- Loop for all slots (each board has 4 SBus slots).
- Use diagnostic register to generate SBus interrupt.
- Issue a TAKE and check the state register.
- Issue a GIVE and check the state register.
- Check BW interrupt table.
- Check CC interrupt pending.
- Unmask the interrupt and insure the CPU gets the correct interrupt.
- Do necessary housekeeping.
- Clean up before exiting.

Possible Error Messages

```
Failed to establish new targer id, Board %x
Address = %X
expected = %2X
observed = %2X
```

```
Incorrect Interrupt State, Board %x
Address = %X
expected = %2X
observed = %2X
```

Incorrect CC Interrupt Pending, Board %x Slot %x
 Address = %X
 expected = %4X
 observed = %4X

Incorrect BW Interrupt Table, Board %x Slot %x
 Address = %X
 expected = %4X
 observed = %4X

SBus Interrupt not delivered to CPU, Board %x
 Slot = %x
 Level = %x
 Trap Type = %2x

○○●● ●○○●

C1 SBus Cards

0x3B

- ID: 59.0
- Attributes: General Purpose
- Diagnosis: None

Probe all SBus slots to see if an SBus card responds.

Subtest: SBI Initialization

- ID: 59.3
- Level: 1
- Attributes: Error Terminates Sequencer
 Error is Fatal

Initialize all SBI registers to the default values.

Possible Error Messages

This module does not check or report errors.

Subtest: Checking for SBus cards

- ID: 59.5
- Level: 1
- Attributes: Test Module

Check each slot to see if a card responds.

Possible Error Messages

This module does not check or report errors.

○○●● ●●○○

C1 XDBus Timing

0x3C

- ID: 60.0
- Attributes: General Purpose
- Diagnosis: BootBus

Use the TOD, and compute the system crystal frequency.

Subtest: C_0 BW

- ID: 60.1
- Level: 1
- Attributes: Error Terminates Sequencer
Error is Fatal

Establish the board configuration for this test.

Possible Error Messages

This module does not check or report errors.

Subtest: Compute XDBus Frequency

- ID: 60.1
- Level: 1
- Attributes: Error Terminates Sequencer
Error is Fatal

Use the TOD, and compute the system crystal frequency to the nearest MHz.

Possible Error Messages

This module does not check or report errors.

Subtest: TOD Delay

- ID: 60.1
- Level: 17
- Attributes: Error is Fatal

Use the TOD for a timed delay allowing SBus devices to perform self initialization.

Possible Error Messages

This module does not check or report errors.

○○●● ●●○○

C1 XPT

0x3D

- ID: 61.0
- Attributes: General Purpose
- Diagnosis: SBI

Set Configuration 1 and test IO external page tables.

Subtest: C_1 BW , IOC

- ID: 61.1
- Level: 17
- Attributes: Error Terminates Sequencer
Error is Fatal

Establish the board configuration for this test.

Possible Error Messages

This module does not check or report errors.

Subtest: XPT Read Write

- ID: 61.2
- Level: 17
- Attributes: Test Module

Test the functionality of the external page tables.

- For the first part of the test, force parity.
- Set up the SBI control register.

- Do a 6N test.
- Load a new pattern.
- Test with the next pattern.
- First pass: write in ascending order.
- Second pass: read-then-write in ascending order.
- Third pass: read-compare in descending order.
- Move the pattern pointer along.
- Loop for all patterns.
- Restore original SBI control register.
- Test with some even and odd parity patterns.
- Clear the XPT so that there is good parity.

Possible Error Messages

```
Data Compare Error
address = %X
expected = %X
observed = %X
```

○○●● ●●●○

C1 BW MQH Consistency

0x3E

- ID: 62.0
- Attributes: General Purpose
- Diagnosis: BWA1
BWB1
MQH1

Set Configuration 1 and test consistency between BW and main memory.

Subtest: C_1 BW, MQH

- ID: 62.1
- Level: 17
- Attributes: Error Terminates Sequencer
Error is Fatal

Establish the board configuration for this test.

Possible Error Messages

This module does not check or report errors.

Subtest: BW MQH Cache Consistency

- ID: 62.2
- Level: 17
- Attributes: Test Module
Subtest Disabled

Test Consistency between the external cache subsystem and the memory (CC,BW,MEM).

The IOC chip is frozen for this test.

- Assign a test address for each board.
(Each board has a cache line in virtual page 0.)
- Set the line to valid and owned by this cache.
- Fill the line with a test pattern.
(Each subblock will have a different pattern.)
- Read and verify the first doubleword of each subblock.
- Read hit (external cache will return the data to CPU).
- Victimize this line, check the new tag.
- Check main memory to verify that the Ecache flush occurred.
- Verify that this new line will not have owner set.
- Read miss (fill from main memory).
- Check data and tags.

Possible Error Messages

Note – This is a common group of error messages used by all the POST Consistency tests.

```
Block compare failed
  load address = %X data = %X.%X
  store address = %X data = %X.%X
```

```
Block check error
  address = %X
  expected = %X
  observed = %X
```

```
Stream ready bit timed out
```

```
Check tags failed
  cctag=%X.%X exp. state = %x
  bwtag=%X exp. state %x

Check Dcache tags failed
  address = %X
  expected valid bit = %x
  observed valid = %x

DCache tag has inconsistent state
  ptag = %X.%X

Read hit Ecache data error
  addr = %X
  expected = %X.%X
  observed = %X.%X

Read miss Ecache data error
  address = %X
  expected = %X.%X
  observed = %X.%X

Victimize error for address = %X

Write invalidate failed for address = %X

IO loopback read data error
  address = %X
  expected = %X.%X
  observed = %X.%X

IO loopback read miss failed, address = %X

IO loopback read hit failed, address = %X

IO loopback write miss failed, address = %X

IO loopback write hit failed, address = %X

IO cache shared owner failed, address = %X

IOC check tags line = %dex = %X %Xob = %X %X

IOC check data ex = %X ob = %X word = %d
```

IO cache flush data error
address = %X
expected = %X.%X
observed = %X.%X

CPU read data
address = %X
expected = %X.%X
observed = %X.%X

Check RefMiss count
expected CRC=%X CMC=%X
observed CRC=%X CMC=%X

○○●● ●●●●

C1 IOC MQH Consistency

0x3F

- ID: 63.0
- Attributes: General Purpose
- Diagnosis: IOC1
MQH1

Set Configuration 1 and test consistency between IOC and main memory.

Subtest: C_1 BW , IOC , MQH

- ID: 63.1
- Level: 17
- Attributes: Error Terminates Sequencer
Error is Fatal

Establish the board configuration for this test.

Possible Error Messages

This module does not check or report errors.

Subtest: SBus Loopback

- ID: 63.2
- Level: 17
- Attributes: Test Module
Subtest Disabled

Use the SBus loopback feature of the SBI ASIC to test and exercise the paths between the CPU and SBus and the SBus and main memory. IO cache and CPU cache transactions are also verified. This test is not run unless main memory is accessible.

Stream Mode and XPT Bypass:

- Insure tags are cleared.
- Set slot configuration registers.
- Clear all error bits.
- SEGA =0, Slot Reset, Stream Mode, 64 Byte Burst, Bypass XPT.
- Clear some memory.
- SBus loopback: write data; data = offset.
(Data should have looped to memory.)
- See if any SBI errors were set.
- Verify the memory data.
- Negate the data in memory.
- SBus loopback: read the memory a word at a time, and check for errors.
(Data should have looped from memory.)
- Verify the read data.

Consistent Mode and XPT Bypass use the same procedure as above, except Consistent Mode is selected and the IOC tags are verified for the correct state.

- Insure tags are cleared.
- Set slot configuration registers.
- Clear all error bits.
- SEGA=0, Slot Reset, Stream Mode, 64 Byte Burst, Bypass XPT.
- Clear some memory.
- SBus loopback: write data; data = offset.
- Check IOC tags for correct state.
(Data should have looped to memory.)
- See if any SBI errors were set.
- Verify the memory data.
- Negate the data in memory.
- SBus loopback: read the memory a word at a time, and check for errors.

- Check IOC tags for correct state.
(Data should have looped from memory.)

Possible Error Messages

SBI Detected Errors, Board %x Slot %x
Status = %X, Slot Config = %X

Bypass Stream Write Failed, Slot %x
expected = %X
observed = %X

Bypass Stream Read Failed, Slot %x
expected = %X
observed = %X

Bypass Consistent Write Failed, Slot %x
expected = %X
observed = %X

Bypass Consistent Read Failed, Slot %x
expected = %X
observed = %X

SBI Flush Write Buffers timed out, Slot %x
Stream Buffer Control Register = %X

WARNING Test skipped, no memory in configuration [%X]

Subtest: IOC MQH Consistency

- ID: 63.3
- Level: 17
- Attributes: Test Module
Subtest Disabled

Test Consistency between the IO Cache and main memory.

- Assign a test address for each board.
(Each board has a cache line in virtual page 0.)
- Put test data in memory.
- Initialize the IO chips for loopback operation.
- Verify that a read will miss and cause an IOC line fill.
- Verify that a read to the same address will hit in the IOC.

- Verify that a write miss will cause an IOC line fill.
- Verify that a write will hit in the IOC and update the IOC data.
- Verify that the IOC is the owner and will reply with a CPU read.
- Verify that the data became shared.

Verify that the IOC will flush owned data to memory.

- (A write miss must cause an IOC line fill.)
(This write will hit in the IOC and update the IOC data.)
- Issue a read for address alias (flush).
(The IOC must flush the dirty line to memory.)
- Check IOC flushed data.

Possible Error Messages

Block compare failed

```
load address = %X data = %X.%X
store address = %X data = %X.%X
```

Block check error

```
address = %X
expected = %X
observed = %X
```

Stream ready bit timed out

Check tags failed

```
cctag=%X.%X exp. state = %x
bwtag=%X exp. state %x
```

Check Dcache tags failed

```
address = %X
expected valid bit = %x
observed valid = %x
```

DCache tag has inconsistent state

```
ptag = %X.%X
```

Read hit Ecache data error

```
addr = %X
expected = %X.%X
observed = %X.%X
```

```
Read miss Ecache data error
  address = %X
  expected = %X.%X
  observed = %X.%X

Victimize error for address = %X

Write invalidate failed for address = %X

IO loopback read data error
  address = %X
  expected = %X.%X
  observed = %X.%X

IO loopback read miss failed, address = %X
IO loopback read hit failed, address = %X
IO loopback write miss failed, address = %X
IO loopback write hit failed, address = %X
IO cache shared owner failed, address = %X
IOC check tags line = %dex = %X %Xob = %X %X
IOC check data ex = %X ob = %X word = %d

IO cache flush data error
  address = %X
  expected = %X.%X
  observed = %X.%X

CPU read data
  address = %X
  expected = %X.%X
  observed = %X.%X

Check RefMiss count
  expected CRC=%X CMC=%X
  observed CRC=%X CMC=%X
```

○●○○ ○○○○

C1 BW IOC Consistency**0x40**

- ID: 64.0
- Attributes: General Purpose
- Diagnosis: BWA1
BWB1
IOC1

Set Configuration 1 and test consistency between BW and IOC.

Subtest: C_1 BW , IOC , MQH

- ID: 64.1
- Level: 17
- Attributes: Error Terminates Sequencer
Error is Fatal

Establish the board configuration for this test.

Possible Error Messages

This module does not check or report errors.

Subtest: Cache States

- ID: 64.2
- Level: 17
- Attributes: Test Module
Subtest Disabled
Initialization Module

Walk the MXCC state table through all state transistions except the ones that require Write Invalidate Mode and another CPU.

The IOC is used in loopback mode to effect foreign reads and writes.

The following transistions are tested:

- Invalid to Valid, not Shared, Owner.
- Invalid to Valid, Shared, not Owner.
- Invalid to Valid, not Shared, not Owner.
- Valid to Valid via CPU read.
- Valid to Valid, not Shared, owner.
- Valid to Valid, Shared, not Owner via foreign read.

- Valid to Valid, Shared, not Owner via foreign write miss.
- Owner to Owner via CPU write.
- Owner to Owner via CPU read.
- Owner to Shared, Owner.
- Shared to Shared, Owner.
- Shared to Shared via CPU read.
- Shared to Shared via foreign read.
- Shared to Shared via foreign write.
- Shared to Shared via foreign write miss.
- Shared and Owner to Owner.
- Shared and Owner to Shared.
- Shared and Owner to Shared, Owner via CPU write.
- Shared and Owner to Shared, Owner via CPU read .
- Shared and Owner to Shared, Owner via foreign read.
- Shared and Owner to Shared via foreign write miss.

Possible Error Messages

```
Block compare failed
  load address = %X data = %X.%X
  store address = %X data = %X.%X
```

```
Block check error
  address = %X
  expected = %X
  observed = %X
```

```
Stream ready bit timed out
```

```
Check tags failed
  cctag=%X.%X exp. state = %x
  bwtag=%X exp. state %x
```

```
Check Dcache tags failed
  address = %X
  expected valid bit = %x
  observed valid = %x
```

```
DCache tag has inconsistent state
  ptag = %X.%X
```

```
Read hit Ecache data error
  addr = %X
  expected = %X.%X
  observed = %X.%X

Read miss Ecache data error
  address = %X
  expected = %X.%X
  observed = %X.%X

Victimize error for address = %X

Write invalidate failed for address = %X

IO loopback read data error
  address = %X
  expected = %X.%X
  observed = %X.%X

IO loopback read miss failed, address = %X

IO loopback read hit failed, address = %X

IO loopback write miss failed, address = %X

IO loopback write hit failed, address = %X

IO cache shared owner failed, address = %X

IOC check tags line = %dex = %X %Xob = %X %X

IOC check data ex = %X ob = %X word = %d

IO cache flush data error
  address = %X
  expected = %X.%X
  observed = %X.%X

CPU read data
  address = %X
  expected = %X.%X
  observed = %X.%X
```

```
Check RefMiss count
  expected CRC=%X CMC=%X
  observed CRC=%X CMC=%X
```

Subtest: BW IOC Consistency

- ID: 64.3
- Level: 17
- Attributes: Test Module
Subtest Disabled

Test Consistency between the BW, CC, IO Cache, and main memory.

- Assign a test address for each board.
(Each board has a cache line in virtual page 0.)
- Put test data in memory.
- Initialize the IO chips for loopback operation.
- Verify that a read will miss and cause an IOC line fill.
- Check BW, CC, and IOC tags for correct state.
- Verify that a read to the same address will hit in the IOC.
- Check BW, CC, and IOC tags for correct state.
- Verify that a write miss will cause an IOC line fill.
- Check BW, CC, and IOC tags for correct state.
- Verify that a write will hit in the IOC and update the IOC data.
- Check BW, CC, and IOC tags for correct state.
- Verify that the IOC is the owner and will reply with a CPU read.
- Verify that the data became shared.
- Check BW, CC, and IOC tags for correct state.

Verify that the IOC will flush owned data to memory.

- (A write miss must cause an IOC line fill.)
- Check BW, CC, and IOC tags for correct state.
(This write will hit in the IOC and update the IOC data.)
- Check BW, CC, and IOC tags for correct state.
- Issue a read for address alias (flush).
(The IOC must flush the dirty line to memory.)
- Check BW, CC, and IOC tags for correct state.
- Check IOC flushed data.

Possible Error Messages

```
Block compare failed
  load address = %X data = %X.%X
  store address = %X data = %X.%X

Block check error
  address = %X
  expected = %X
  observed = %X

Stream ready bit timed out

Check tags failed
  cctag=%X.%X exp. state = %x
  bwtag=%X exp. state %x

Check Dcache tags failed
  address = %X
  expected valid bit = %x
  observed valid = %x

DCache tag has inconsistent state
  ptag = %X.%X

Read hit Ecache data error
  addr = %X
  expected = %X.%X
  observed = %X.%X

Read miss Ecache data error
  address = %X
  expected = %X.%X
  observed = %X.%X

Victimize error for address = %X

Write invalidate failed for address = %X

IO loopback read data error
  address = %X
  expected = %X.%X
  observed = %X.%X

IO loopback read miss failed, address = %X
```

```
IO loopback read hit failed, address = %X
IO loopback write miss failed, address = %X
IO loopback write hit failed, address = %X
IO cache shared owner failed, address = %X
IOC check tags line = %dex = %X %Xob = %X %X
IOC check data ex = %X ob = %X word = %d
IO cache flush data error
  address = %X
  expected = %X.%X
  observed = %X.%X

CPU read data
  address = %X
  expected = %X.%X
  observed = %X.%X

Check RefMiss count
  expected CRC=%X CMC=%X
  observed CRC=%X CMC=%X
```

○○○○ ●○○●

C2 IOC

0x4B

- ID: 75.0
- Attributes: General Purpose
- Diagnosis: None

Set configuration 2 and test the IOC.

Subtest: C_2 BW, IOC

- ID: 75.1
- Level: 1
- Attributes: Error Terminates Sequencer
Error is Fatal

Establish the board configuration for this test.

Possible Error Messages

This module does not check or report errors.

Subtest: IOC Registers

- ID: 75.2
- Level: 17
- Attributes: Test Module
Error Terminates Sequencer

Test the read and write accessibility of all IOC ASIC registers, using all access sizes allowed. The addresses of the IOC registers are in CSR space. If any access causes a data access exception or unexpected interrupt, the test aborts with a FAIL status.

Possible Error Messages

While testing %s register an unexpected trap occurred

```
MFSR = %X
MFAR = %X
Trap Type = %2x
CC Error = %X.%X
```

Unexpected Component ID value

```
address = %X
expected = %X or %X
observed = %X
```

%s register failed to return correct data

```
address = %X
expected = %X
observed = %X
```

%s register failed to return correct data

```
expected = %X.%X
observed = %X.%X
```

Floating a bit through %s register failed

```
expected = %X
observed = %X
```

```
Floating a bit through %s register failed
  expected = %X.%X
  observed = %X.%X
```

Subtest: IOC XDBus Tags

- ID: 75.3
- Level: 17
- Attributes: Test Module

Read, write, and verify the IOC's XDBus tags.

Possible Error Messages

```
Data Compare Error
  address = %X
  expected = %X
  observed = %X
```

Subtest: IOC SBus Tags

- ID: 75.4
- Level: 17
- Attributes: Test Module

Read, write, and verify the IOC's SBus tags.

Possible Error Messages

```
Data Compare Error
  address = %X
  expected = %X
  observed = %X
```

Subtest: IOC Cache RAM

- ID: 75.5
- Level: 17
- Attributes: Test Module

Read, write, and verify the IO Cache RAM.

Possible Error Messages

Data Compare Error
address = %X
expected = %X
observed = %X

○○○○ ●●○○

C2 SBus Cards**0x4C**

- ID: 76.0
- Attributes: General Purpose
- Diagnosis: None

Probe all SBus slots to see if an SBus card responds.

Subtest: SBI Initialization

- ID: 76.3
- Level: 1
- Attributes: Error Terminates Sequencer
Error is Fatal

Initialize all SBI registers to the default values.

Possible Error Messages

This module does not check or report errors.

Subtest: Checking for SBus cards

- ID: 76.5
- Level: 1
- Attributes: Test Module

Check each slot to see if a card responds.

Possible Error Messages

This module does not check or report errors.

2.3 Loopback Exit

Using JTAG, take the BICs out of loopback. From this point on the BICs should not be in loopback.

○●○○ ●○○●

Bus Ring

0x59

- ID: 89.0
- Attributes: General Purpose
- Diagnosis: XDBus0
XDBus1

Test continuity and length of the JTAG scan ring and the component IDs of all the chips on Bus Interface JTAG scan ring.

Subtest: Verify Bus Ring

- ID: 89.2
- Level: 1
- Attributes: Test Module
Initialization Module

Scan in the ring containing the BIC and BARB ASICs; verify that the JTAG data is correct.

Possible Error Messages

JTAG TAP state machine not responding

Incorrect arguments passed by caller

JTAG component ID does not match

JTAG ring continuity test failed

State after initialization not expected

Ring length does not match expected

**C0 BP Check****0x5B**

- ID: 91.0
- Attributes: General Purpose
- Diagnosis: XDBus0

Let each board align (using system LEDs) and run a backplane check. The boards are staggered in time so that they will not interfere with each other.

Subtest: Wait for Alt

- ID: 91.1
- Level: 1
- Attributes: Error is Fatal

Perform a synchronization function to insure both CPUs on this board are at a known state before continuing further.

Possible Error Messages

This module does not check or report errors.

Subtest: XDBus setup C_0

- ID: 91.1
- Level: 1
- Attributes: Error is Fatal

Set up XDBus 0 configuration.

Possible Error Messages

This module does not check or report errors.

Subtest: C0 Backplane Check

- ID: 91.2
- Level: 1
- Attributes: Test Module

Each board has a pre-assigned time to test its connection to the backplane. Using JTAG, take the BICs for the bus under test out of loopback. Issue a series of reads and writes to the BW's DynaData register using several test patterns. Using JTAG, put the BICs back into loopback.

Possible Error Messages

Read DDR at %X caused Data Access Exception

Data Compare Error
 address = %X
 expected = %X
 observed = %X



C0 Exit LB

0x5D

- ID: 93.0
- Attributes: General Purpose
- Diagnosis: XDBus0

Let each board exit loopback so that it can now use the backplane.

Subtest: Loopback Exit C_0

- ID: 93.1
- Level: 1
- Attributes: Test Module

Using JTAG, take the BICs out of loopback. From this point on the BICs should not be in loopback.

Possible Error Messages

This module does not check or report errors.

○●●○ ○○○○

C1 BP Check**0x60**

- ID: 96.0
- Attributes: General Purpose
- Diagnosis: XDBus1

Let each board align (using system LEDs) and run a backplane check. The boards are staggered in time so that they will not interfere with each other.

Subtest: Wait for Alt

- ID: 96.1
- Level: 1
- Attributes: Error is Fatal

Perform a synchronization function to insure both CPUs on this board are at a known state before continuing further.

Possible Error Messages

This module does not check or report errors.

Subtest: XDBus setup C_1

- ID: 96.1
- Level: 1
- Attributes: Error is Fatal

Set up XDBus1 configuration.

Possible Error Messages

This module does not check or report errors.

Subtest: C1 Backplane Check

- ID: 96.2
- Level: 1
- Attributes: Test Module

Each board has a pre-assigned time to test its connection to the backplane. Using JTAG, take the BICs for the bus under test out of loopback. Issue a series of reads and writes to the BW's DynaData register using several test patterns. Using JTAG, put the BICs back into loopback.

Possible Error Messages

This module does not check or report errors.

○●●○ ○○●○

C1 Exit LB

0x62

- ID: 98.0
- Attributes: General Purpose
- Diagnosis: XDBus1

This test brings the board out of loopback so that it can communicate with other boards on the backplane. No functional tests are run here. The backplane was already tested in the Backplane Check test.

Subtest: Loopback Exit C_1

- ID: 98.1
- Level: 1
- Attributes: Test Module

Using JTAG, take the BICs out of loopback. From this point on the BICs should not be in loopback.

Possible Error Messages

This module does not check or report errors.

2.4 System Master Selection

POST chooses a System Master from one of the Board Masters in the system. The CPU that becomes the System Master is the CPU with a functional BootBus on the lowest-numbered board. After the System Master is selected, all other CPUs become slaves and wait for assignments from the System Master. (The System Master tests non-processor boards, then performs final system configuration, as described in the following sections.)

2.5 System Level Testing

The following series of tests run after XDBus loopback exit. All system board components can now interact with each other. This interaction is exercised and checked for correct results. Also, the POST System Master tests non-processor boards in this phase.

○●●●● ○●●●○ **C0 NPB Loopback Exit** **0x76**

- ID: 118.0
- Attributes: Non-processor board test
- Diagnosis: XDBus0

Take this non-processor board out of loopback.

Subtest: Loopback Exit

- ID: 118.1
- Level: 1
- Attributes: Test Module

Using JTAG, take the BICs out of loopback. From this point on the BICs should not be in loopback.

Possible Error Messages

This module does not check or report errors.

Subtest: Marking NPB

- ID: 118.2
- Level: 1
- Attributes: Test Module

A non-processor board has been detected. Note its presence so that the test sequencer will dispatch tests to test it.

Possible Error Messages

This module does not check or report errors.

○●●●○●●●

C0 NPB MQH

0x77

- ID: 119.0
- Attributes: Non-processor board test
- Diagnosis: MQH0

Test MQHs on non-processor boards. This test is run by the C_0 system master.

Subtest: Check BDA

- ID: 119.1
- Level: 1
- Attributes: Error Terminates Sequencer
Error is Fatal

Insure that the part to be tested next has not already failed in POST.

Possible Error Messages

This module does not check or report errors.

Subtest: C_0 NPB MQH

- ID: 119.2
- Level: 1
- Attributes: Error Terminates Sequencer
Error is Fatal

Establish the board configuration for this test.

Possible Error Messages

This module does not check or report errors.

Subtest: MQH Registers

- ID: 119.3
- Level: 8
- Attributes: Test Module
Error Terminates Sequencer

Test the read and write accessibility of the MQH ASIC registers, using all access sizes allowed. The addresses of the MQH registers are in CSR space. If any access causes a data access exception or unexpected interrupt, the test aborts with a FAIL status.

The ECC Error registers are read only. Testing is limited to insuring that register access does not cause a trap and that all error bits are cleared.

The Group Type registers are read only; they are not tested.

To prevent losing refresh, the Refresh Enable bit in the MCSR is never reset.

When it is appropriate, the test restores the original value it found in the register.

Possible Error Messages

While testing %s register an unexpected trap occurred

```
MFSR = %X
MFAR = %X
Trap Type = %2x
CC Error = %X.%X
```

Unexpected Component ID value

```
address = %X
expected = %X or %X
observed = %X
```

%s register failed to return correct data

```
address = %X
expected = %X
observed = %X
```

```
%s register failed to return correct data
expected = %X.%X
observed = %X.%X
```

```
Floating a bit through %s register failed
expected = %X
observed = %X
```

```
Floating a bit through %s register failed
expected = %X.%X
observed = %X.%X
```

Subtest: MQH Initialization

- ID: 119.4
- Level: 1
- Attributes: Error Terminates Sequencer
Error is Fatal

Set up the MQH timing registers and control register. Timing values loaded depend on the types of SIMMs present. Turn on Refresh Enable, set Refresh Count, Request Delay.

Possible Error Messages

This module does not check or report errors.

Subtest: Enable ECC

- ID: 119.5
- Level: 1
- Attributes: Error is Fatal

Enable ECC checking on the MQH.

Possible Error Messages

This module does not check or report errors.

Subtest: Memory

- ID: 119.6
- Level: 8
- Attributes: Test Module

Test all memory on this MQH. If a group with memory is not found, return `FAIL`. The purpose of the test is to test enough memory to allow the consistency tests to run. The memory test functions are loaded into the Icache for speed.

The short memory test algorithm is:

- Clear the number of memory faults in the current test.
- Load the CC Stream Data register with alternate patterns.
- Loop through memory, writing 64 bytes at a time.
- Check the memory.
- Set up and load the alternate pattern.
- Loop through memory, writing 64 bytes at a time.
- Check the memory.
- The permanent ECC handler handles memory errors.
If the faults exceed 2, return `FAIL`.

The long memory test algorithm is:

- Clear the number of memory faults in the current test.
- Loop through a set of long long patterns.
- Load the stream data register with a pattern.
- Fill memory with a pattern.
- Load the stream data register with `~pattern`.
- Read, then write `~pattern`.
- Read `~pattern`, write `pattern`, read.

Possible Error Messages

```
Memory Compare Failure
  Addr %X
  Expected %X.%X
  Observed %X.%X
```

Subtest: Config Memory Available

- ID: 119.7
- Level: 1
- Attributes: Error is Fatal

Count the amount of memory available in the current configuration.

Possible Error Messages

This module does not check or report errors.

●●●● ●○○○

C0 NPB IO Ring

0x78

- ID: 120.0
- Attributes: Non-processor board test
- Diagnosis: IOC0
IOC1
SBI

Test the JTAG IO ring on non-processor boards. This test is run by the C_0 system master.

Subtest: Verify IO Ring

- ID: 120.2
- Level: 1
- Attributes: Test Module

Scan in the ring containing the IOC and SBI ASICs; verify that the JTAG data is correct.

Possible Error Messages

JTAG TAP state machine not responding

Incorrect arguments passed by caller

JTAG component ID does not match

JTAG ring continuity test failed

State after initialization not expected

Ring length does not match expected

○●●●● ●○○●●

C0 NPB IO

0x79

- ID: 121.0
- Attributes: Non-processor board test
- Diagnosis: IOC0

Test IOC0s on non-processor boards. This test is run by the C_0 system master.

Subtest: Check BDA

- ID: 121.1
- Level: 1
- Attributes: Error Terminates Sequencer
Error is Fatal

Insure that the part to be tested next has not already failed in POST.

Possible Error Messages

This module does not check or report errors.

Subtest: C_0 NPB IOC

- ID: 121.2
- Level: 1
- Attributes: Error Terminates Sequencer
Error is Fatal

Establish the board configuration for this test.

Possible Error Messages

This module does not check or report errors.

Subtest: IOC Registers

- ID: 121.3
- Level: 8
- Attributes: Test Module
Error Terminates Sequencer

Test the read and write accessibility of all IOC ASIC registers, using all access sizes allowed. The addresses of the IOC registers are in CSR space. If any access causes a data access exception or unexpected interrupt, the test aborts with a FAIL status.

Possible Error Messages

While testing %s register an unexpected trap occurred

MFSR = %X
MFAR = %X
Trap Type = %2x
CC Error = %X.%X

Unexpected Component ID value

address = %X
expected = %X or %X
observed = %X

%s register failed to return correct data

address = %X
expected = %X
observed = %X

%s register failed to return correct data

expected = %X.%X
observed = %X.%X

Floating a bit through %s register failed

expected = %X
observed = %X

Floating a bit through %s register failed

expected = %X.%X
observed = %X.%X

Subtest: IOC XDBus Tags

- ID: 121.4
- Level: 8
- Attributes: Test Module

Read, write, and verify the IOC's XDBus tags.

Possible Error Messages

```
Data Compare Error
  address = %X
  expected = %X
  observed = %X
```

Subtest: IOC SBus Tags

- ID: 121.5
- Level: 8
- Attributes: Test Module

Read, write, and verify the IOC's SBus tags.

Possible Error Messages

```
Data Compare Error
  address = %X
  expected = %X
  observed = %X
```

Subtest: IOC Cache RAM

- ID: 121.6
- Level: 8
- Attributes: Test Module

Read, write, and verify the IO Cache RAM.

Possible Error Messages

Data Compare Error
 address = %X
 expected = %X
 observed = %X

○●●●● ●○○○

C0 NPB SBI

0x7A

- ID: 122.0
- Attributes: Non-processor board test
- Diagnosis: SBI

Test the SBI on the non-processor board.

Subtest: SBI Initialization

- ID: 122.1
- Level: 1
- Attributes: Error Terminates Sequencer
Error is Fatal

Initialize all SBI registers to the default values.

Possible Error Messages

This module does not check or report errors.

Subtest: SBI Registers

- ID: 122.2
- Level: 8
- Attributes: Test Module
Error Terminates Sequencer

Test the read and write accessibility of all SBI ASIC registers, using all access sizes allowed. The addresses of the SBI registers are in ECSR space. If any access causes a data access exception or unexpected interrupt, the test aborts with a FAIL status.

The SBI Interrupt registers, with the exception of the Interrupt Target ID, are not tested here, but are tested in the SBus Interrupts test described on page 2-124.

Possible Error Messages

While testing %s register an unexpected trap occurred

```
MFSR = %X
MFAR = %X
Trap Type = %2x
CC Error = %X.%X
```

Unexpected Component ID value

```
address = %X
expected = %X or %X
observed = %X
```

%s register failed to return correct data

```
address = %X
expected = %X
observed = %X
```

%s register failed to return correct data

```
expected = %X.%X
observed = %X.%X
```

Floating a bit through %s register failed

```
expected = %X
observed = %X
```

Floating a bit through %s register failed

```
expected = %X.%X
observed = %X.%X
```

%s fields SEGA, C, S updated when WSA = 0

```
expected = %X
observed = %X
```

Subtest: SBI Initialization

- ID: 122.3
- Level: 1
- Attributes: Error Terminates Sequencer
Error is Fatal

Initialize all SBI registers to the default values.

Possible Error Messages

This module does not check or report errors.

Subtest: SBus Interrupts

- ID: 122.4
- Level: 8
- Attributes: Test Module

Test all levels of SBus interrupts for all SBus slots. Verify that the correct interrupt state is recorded in the BWs, MXCC, and SBI chips. Insure that the correct SPARC interrupt level is delivered to the CPU. This test is executed on each board by the CPU on that board. SBus slots on non-processor boards will be tested using this test.

- Mask all interrupts except level 15s.
- Clear all existing interrupt states.
- Establish this board's BW as the target for this SBus's interrupts.
- Verify the CC transaction to the SBI interrupt target register.
- Loop for all levels; SBus has levels 1 through 7.
- Loop for all slots; each board has 4 SBus slots.
- Use diagnostic register to generate SBus interrupt.
- Issue a TAKE and check the state register.
- issue a GIVE and check the state register.
- Check the BW interrupt table.
- Check CC interrupt pending.
- Unmask the interrupt and insure the CPU gets the correct interrupt.
- Do necessary housekeeping.
- Clean up before exiting.

Possible Error Messages

```
Failed to establish new targer id, Board %x
Address = %X
expected = %2X
observed = %2X
```

```
Incorrect Interrupt State, Board %x
Address = %X
expected = %2X
observed = %2X
```

```
Incorrect CC Interrupt Pending, Board %x Slot %x
Address = %X
expected = %4X
observed = %4X
```

```
Incorrect BW Interrupt Table, Board %x Slot %x
Address = %X
expected = %4X
observed = %4X
```

```
SBus Interrupt not delivered to CPU, Board %x
Slot = %x
Level = %x
Trap Type = %2x
```

○●●●● ●○●●●

C0 NPB SBus Cards

0x7B

- ID: 123.0
- Attributes: Non-processor board test
- Diagnosis: None

Probe each slot on this board to see if a card responds.

Subtest: SBI Initialization

- ID: 123.3
- Level: 1
- Attributes: Error Terminates Sequencer
Error is Fatal

Initialize all SBI registers to the default values.

Possible Error Messages

This module does not check or report errors.

Subtest: Checking for SBus cards

- ID: 123.5
- Level: 1
- Attributes: Test Module

Check each slot to see if a card responds.

Possible Error Messages

This module does not check or report errors.

○●●●● ●●○○○

C0 NPB Delay

0x7C

- ID: 124.0
- Attributes: Non-processor board test
- Diagnosis: None

Allow the SBus cards time to self-initialize.

Subtest: TOD Delay

- ID: 124.1
- Level: 1
- Attributes: Error is Fatal

Use the TOD for a timed delay, allowing SBus devices to perform self initialization.

Possible Error Messages

This module does not check or report errors.

Subtest: TOD Delay

- ID: 124.1
- Level: 1
- Attributes: Error is Fatal

Use the TOD for a timed delay, allowing SBus devices to perform self initialization.

Possible Error Messages

This module does not check or report errors.

**C0 NPB XPT****0x7D**

- ID: 125.0
- Attributes: Non-processor board test
- Diagnosis: SBI

Test XPTs on non-processor boards. This test is run by the C_0 system master.

Subtest: XPT Read Write

- ID: 125.1
- Level: 17
- Attributes: Test Module
 - For the first part of the test, force parity.
 - Set up the SBI control register.
 - Do a 6N test.
 - Load a new pattern.
 - Test with the next pattern.
 - First pass: write in ascending order.
 - Second pass: read-then-write in ascending order.
 - Third pass: read-compare in descending order.
 - Move the pattern pointer along.
 - Loop for all patterns.
 - Restore original SBI control register.
 - Test with some even and odd parity patterns.
 - Clear the XPT so that there is good parity.

Possible Error Messages

```
Data Compare Error
address = %X
expected = %X
observed = %X
```

●○○○ ●○○●

C1 NPB Loopback Exit**0x8B**

- ID: 139.0
- Attributes: Non-processor board test
- Diagnosis: XDBus1

Take this non-processor board out of loopback.

Subtest: Loopback Exit

- ID: 139.1
- Level: 1
- Attributes: Test Module

Using JTAG, take the BICs out of loopback. From this point on the BICs should not be in loopback.

Possible Error Messages

This module does not check or report errors.

Subtest: Marking NPB

- ID: 139.2
- Level: 1
- Attributes: Test Module

A non-processor board has been detected. Note its presence so that the test sequencer will dispatch tests to test it.

Possible Error Messages

This module does not check or report errors.

●○○○ ●●○○

C1 NPB MQH**0x8C**

- ID: 140.0
- Attributes: Non-processor board test
- Diagnosis: MQH1

Test the MQH on the board under test.

Subtest: Check BDA

- ID: 140.1
- Level: 1
- Attributes: Error Terminates Sequencer
Error is Fatal

Insure that the part to be tested next has not already failed in POST.

Possible Error Messages

This module does not check or report errors.

Subtest: C_1 NPB MQH

- ID: 140.2
- Level: 1
- Attributes: Error Terminates Sequencer
Error is Fatal

Establish the board configuration for this test.

Possible Error Messages

This module does not check or report errors.

Subtest: MQH Registers

- ID: 140.3
- Level: 8
- Attributes: Test Module
Error Terminates Sequencer

Test the read and write accessibility of the MQH ASIC registers, using all access sizes allowed. The addresses of the MQH registers are in CSR space. If any access causes a data access exception or unexpected interrupt, the test aborts with a FAIL status.

The ECC Error registers are read only. The testing is limited to insuring that register access does not cause a trap and that all error bits are cleared.

The Group Type registers are read only; they are not tested.

To prevent losing refresh, the Refresh Enable bit in the MCSR is never reset.

When it is appropriate, the test restores the original value it found in the register.

Possible Error Messages

```
While testing %s register an unexpected trap occurred
MFSR = %X
MFAR = %X
Trap Type = %2x
CC Error = %X.%X
```

```
Unexpected Component ID value
address = %X
expected = %X or %X
observed = %X
```

```
%s register failed to return correct data
address = %X
expected = %X
observed = %X
```

```
%s register failed to return correct data
expected = %X.%X
observed = %X.%X
```

Floating a bit through %s register failed
expected = %X
observed = %X

Floating a bit through %s register failed
expected = %X.%X
observed = %X.%X

Subtest: MQH Initialization

- ID: 140.4
- Level: 1
- Attributes: Error Terminates Sequencer
Error is Fatal

Set up the MQH timing registers and control register. Timing values loaded depend on the types of SIMMs present. Turn on Refresh Enable, set Refresh Count, Request Delay.

Possible Error Messages

This module does not check or report errors.

Subtest: Enable ECC

- ID: 140.5
- Level: 1
- Attributes: Error is Fatal

Enable ECC checking on the MQH.

Possible Error Messages

This module does not check or report errors.

Subtest: Memory

- ID: 140.6
- Level: 8
- Attributes: Test Module

Test all memory on this MQH. If a group with memory cannot be found, return FAIL. The purpose of the test is to test enough memory to allow the consistency tests to run. The memory test functions are loaded into the Icache for speed.

The short memory test algorithm is:

- Clear the number of memory faults in the current test.
- Load the CC Stream Data register with alternate patterns.
- Loop through memory, writing 64 bytes at a time.
- Check the memory.
- Set up and load the alternate pattern.
- Loop through memory, writing 64 bytes at a time.
- Check the memory.
- The permanent ECC handler handles memory errors.
If the faults exceed 2, return FAIL.

The long memory test algorithm is:

- Clear the number of memory faults in the current test.
- Loop through a set of long long patterns.
- Load the stream data register with a pattern.
- Fill memory with a pattern.
- Load the stream data register with ~pattern.
- Read, then write ~pattern.
- Read ~pattern, write pattern, read.

Possible Error Messages

```
Memory Compare Failure
  Addr %X
  Expected %X.%X
  Observed %X.%X
```

Subtest: Config Memory Available

- ID: 140.7
- Level: 1
- Attributes: Error is Fatal

Count the amount of memory available in the current configuration.

Possible Error Messages

This module does not check or report errors.

●○○○ ●●○○

C1 NPB IO Ring

0x8D

- ID: 141.0
- Attributes: Non-processor board test
- Diagnosis: IOC0
IOC1
SBI

Using JTAG, initialize the IOC and SBI on the board under test.

Subtest: Verify IO Ring

- ID: 141.2
- Level: 1
- Attributes: Test Module

Scan in the ring containing the IOC and SBI ASICs; verify that the JTAG data is correct.

Possible Error Messages

JTAG TAP state machine not responding

Incorrect arguments passed by caller

JTAG component ID does not match

JTAG ring continuity test failed

State after initialization not expected

Ring length does not match expected

●○○○ ●●●○

C1 NPB IO

0x8E

- ID: 142.0
- Attributes: Non-processor board test
- Diagnosis: IOC1

Test the IOC on the board under test.

Subtest: Check BDA

- ID: 142.1
- Level: 1
- Attributes: Error Terminates Sequencer
Error is Fatal

Insure that the part to be tested next has not already failed in POST.

Possible Error Messages

This module does not check or report errors.

Subtest: C_1 NPB IOC

- ID: 142.2
- Level: 1
- Attributes: Error Terminates Sequencer
Error is Fatal

Establish the board configuration for this test.

Possible Error Messages

This module does not check or report errors.

Subtest: IOC Registers

- ID: 142.3
- Level: 8
- Attributes: Test Module
Error Terminates Sequencer

Test the read and write accessibility of all IOC ASIC registers, using all access sizes allowed. The addresses of the IOC registers are in CSR space. If any access causes a data access exception or unexpected interrupt, the test aborts with a FAIL status.

Possible Error Messages

While testing %s register an unexpected trap occurred

```
MFSR = %X
MFAR = %X
Trap Type = %2x
CC Error = %X.%X
```

Unexpected Component ID value

```
address = %X
expected = %X or %X
observed = %X
```

%s register failed to return correct data

```
address = %X
expected = %X
observed = %X
```

%s register failed to return correct data

```
expected = %X.%X
observed = %X.%X
```

Floating a bit through %s register failed

```
expected = %X
observed = %X
```

Floating a bit through %s register failed

```
expected = %X.%X
observed = %X.%X
```

Subtest: IOC XDBus Tags

- ID: 142.4
- Level: 8
- Attributes: Test Module

Read, write, and verify the IOC's XDBus tags.

Possible Error Messages

```
Data Compare Error
  address = %X
  expected = %X
  observed = %X
```

Subtest: IOC SBus Tags

- ID: 142.5
- Level: 8
- Attributes: Test Module

Read, write, and verify the IOC's SBus tags.

Possible Error Messages

```
Data Compare Error
  address = %X
  expected = %X
  observed = %X
```

Subtest: IOC Cache RAM

- ID: 142.6
- Level: 8
- Attributes: Test Module

Read, write, and verify the IO Cache RAM.

Possible Error Messages

Data Compare Error
address = %X
expected = %X
observed = %X

●○○○ ●●●●

C1 NPB SBI**0x8F**

- ID: 143.0
- Attributes: Non-processor board test
- Diagnosis: SBI

Test the SBI on the board under test.

Subtest: SBI Initialization

- ID: 143.1
- Level: 1
- Attributes: Error Terminates Sequencer
Error is Fatal

Initialize all SBI registers to the default values.

Possible Error Messages

This module does not check or report errors.

Subtest: SBI Registers

- ID: 143.2
- Level: 8
- Attributes: Test Module
Error Terminates Sequencer

Test the read and write accessibility of all SBI ASIC registers, using all access sizes allowed. The addresses of the SBI registers are in ECSR space. If any access causes a data access exception or unexpected interrupt, the test aborts with a FAIL status.

The SBI Interrupt registers, with the exception of the Interrupt Target ID, are not tested here, but are tested in the SBus Interrupts test described on page 2-139.

Possible Error Messages

While testing %s register an unexpected trap occurred

MFSR = %X
MFAR = %X
Trap Type = %2x
CC Error = %X.%X

Unexpected Component ID value

address = %X
expected = %X or %X
observed = %X

%s register failed to return correct data

address = %X
expected = %X
observed = %X

%s register failed to return correct data

expected = %X.%X
observed = %X.%X

Floating a bit through %s register failed

expected = %X
observed = %X

Floating a bit through %s register failed

expected = %X.%X
observed = %X.%X

%s fields SEGA, C, S updated when WSA = 0

expected = %X
observed = %X

Subtest: SBI Initialization

- ID: 143.3
- Level: 1
- Attributes: Error Terminates Sequencer
Error is Fatal

Initialize all SBI registers to the default values.

Possible Error Messages

This module does not check or report errors.

Subtest: SBus Interrupts

- ID: 143.4
- Level: 8
- Attributes: Test Module

Test all levels of SBus interrupts for all SBus slots. Verify that the correct interrupt state is recorded in the BWs, MXCC, and SBI chips. Insure that the correct SPARC interrupt level is delivered to the CPU. This test is executed on each board by the CPU on that board. SBus slots on non-processor boards will be tested using this test.

- Mask all interrupts except level 15s.
- Clear all existing interrupt states.
- Establish this board's BW as the target for this SBus's interrupts.
- Verify the CC transaction to the SBI interrupt target register.
- Loop for all levels; SBus has levels 1 through 7.
- Loop for all slots; each board has 4 SBus slots.
- Use diagnostic register to generate SBus interrupt.
- Issue a TAKE and check the state register.
- issue a GIVE and check the state register.
- Check the BW interrupt table.
- Check CC interrupt pending.
- Unmask the interrupt and insure the CPU gets the correct interrupt.
- Do necessary housekeeping.
- Clean up before exiting.

Possible Error Messages

```
Failed to establish new target id, Board %x
Address = %X
expected = %2X
observed = %2X
```

```
Incorrect Interrupt State, Board %x
Address = %X
expected = %2X
observed = %2X
```

Incorrect CC Interrupt Pending, Board %x Slot %x
 Address = %X
 expected = %4X
 observed = %4X

Incorrect BW Interrupt Table, Board %x Slot %x
 Address = %X
 expected = %4X
 observed = %4X

SBus Interrupt not delivered to CPU, Board %x
 Slot = %x
 Level = %x
 Trap Type = %2x

●○○● ○○○○

C1 NPB SBus Cards

0x90

- ID: 144.0
- Attributes: Non-processor board test
- Diagnosis: None

Probe each SBus slot to see if a card responds.

Subtest: SBI Initialization

- ID: 144.3
- Level: 1
- Attributes: Error Terminates Sequencer
 Error is Fatal

Initialize all SBI registers to the default values.

Possible Error Messages

This module does not check or report errors.

Subtest: Checking for SBus cards

- ID: 144.5
- Level: 1
- Attributes: Test Module

Check each slot to see if a card responds.

Possible Error Messages

This module does not check or report errors.

●○○● ○○○●

C1 NPB Delay

0x91

- ID: 145.0
- Attributes: Non-processor board test
- Diagnosis: None

Allow the SBus cards time to self-initialize.

Subtest: TOD Delay

- ID: 145.1
- Level: 1
- Attributes: Error is Fatal

Use the TOD for a timed delay, allowing SBus devices to perform self initialization.

Possible Error Messages

This module does not check or report errors.

Subtest: TOD Delay

- ID: 145.1
- Level: 1
- Attributes: Error is Fatal

Use the TOD for a timed delay, allowing SBus devices to perform self initialization.

Possible Error Messages

This module does not check or report errors.

●○○● ○○○○

C1 NPB XPT

0x92

- ID: 146.0
- Attributes: Non-processor board test
- Diagnosis: SBI

Test the IO PTE RAMs.

Subtest: XPT Read Write

- ID: 146.1
- Level: 17
- Attributes: Test Module

Perform a Read and Write test on the XPT RAM.

- For the first part of the test, force parity.
- Set up the SBI control register.
- Do a 6N test.
- Load a new pattern.
- Test with the next pattern.
- First pass: write in ascending order.
- Second pass: read-then-write in ascending order.
- Third pass: read-compare in descending order.
- Move the pattern pointer along.
- Loop for all patterns.
- Restore original SBI control register.
- Test with some even and odd parity patterns.
- Clear the XPT so that there is good parity.

Possible Error Messages

```
Data Compare Error
address = %X
expected = %X
observed = %X
```



C2 Loopback Exit

0x9D

- ID: 157.0
- Attributes: Non-processor board test
- Diagnosis: None

Using JTAG, take the BICs for this board out of loopback.

Subtest: Loopback Exit

- ID: 157.1
- Level: 1
- Attributes: Test Module

Using JTAG, take the BICs out of loopback. From this point on, the BICs should not be in loopback.

Possible Error Messages

This module does not check or report errors.

Subtest: Marking NPB

- ID: 157.2
- Level: 1
- Attributes: Test Module

A non-processor board has been detected. Note its presence so that the test sequencer will dispatch tests to test it.

Possible Error Messages

This module does not check or report errors.

●○○● ●●●○

C2 NPB IO Ring**0x9E**

- ID: 158.0
- Attributes: Non-processor board test
- Diagnosis: IOC0
IOC1

Using JTAG, initialize the IOCs on the board under test.

Subtest: Verify IO Ring

- ID: 158.2
- Level: 1
- Attributes: Test Module

Scan in the ring containing the IOC and SBI ASICs; verify that the JTAG data is correct.

Possible Error Messages

JTAG TAP state machine not responding

Incorrect arguments passed by caller

JTAG component ID does not match

JTAG ring continuity test failed

State after initialization not expected

Ring length does not match expected

**C2 NPB IO****0x9F**

- ID: 159.0
- Attributes: Non-processor board test
- Diagnosis: None

Test the IOC on the board under test.

Subtest: Check BDA

- ID: 159.1
- Level: 1
- Attributes: Error Terminates Sequencer
Error is Fatal

Insure that the part to be tested next has not already failed in POST.

Possible Error Messages

This module does not check or report errors.

Subtest: C_2 NPB IOC

- ID: 159.1
- Level: 1
- Attributes: Error Terminates Sequencer
Error is Fatal

Establish the board configuration for this test.

Possible Error Messages

This module does not check or report errors.

Subtest: IOC Registers

- ID: 159.2
- Level: 8
- Attributes: Test Module
Error Terminates Sequencer

Test the read and write accessibility of all IOC ASIC registers, using all access sizes allowed. The addresses of the IOC registers are in CSR space. If any access causes a data access exception or unexpected interrupt, the test aborts with a FAIL status.

Possible Error Messages

While testing %s register an unexpected trap occurred

MFSR = %X
MFAR = %X
Trap Type = %2x
CC Error = %X.%X

Unexpected Component ID value

address = %X
expected = %X or %X
observed = %X

%s register failed to return correct data

address = %X
expected = %X
observed = %X

%s register failed to return correct data

expected = %X.%X
observed = %X.%X

Floating a bit through %s register failed

expected = %X
observed = %X

Floating a bit through %s register failed

expected = %X.%X
observed = %X.%X

Subtest: IOC XDBus Tags

- ID: 159.3
- Level: 8
- Attributes: Test Module

Read, write, and verify the IOC's XDBus tags.

Possible Error Messages

```
Data Compare Error
  address = %X
  expected = %X
  observed = %X
```

Subtest: IOC SBus Tags

- ID: 159.4
- Level: 8
- Attributes: Test Module

Read, write, and verify the IOC's SBus tags.

Possible Error Messages

```
Data Compare Error
  address = %X
  expected = %X
  observed = %X
```

Subtest: IOC Cache RAM

- ID: 159.5
- Level: 8
- Attributes: Test Module

Read, write, and verify the IO Cache RAM.

Possible Error Messages

Data Compare Error
 address = %X
 expected = %X
 observed = %X

●○○○ ○○○○

C2 NPB SBus Cards

0xA0

- ID: 160.0
- Attributes: Non-processor board test
- Diagnosis: None

Probe each SBus slot to see if a card responds.

Subtest: SBI Initialization

- ID: 160.3
- Level: 1
- Attributes: Error Terminates Sequencer
Error is Fatal

Initialize all SBI registers to the default values.

Possible Error Messages

This module does not check or report errors.

Subtest: Checking for SBus cards

- ID: 160.5
- Level: 1
- Attributes: Test Module

Check each slot to see if a card responds.

Possible Error Messages

This module does not check or report errors.

2.6 System Reconfiguration

At this point, POST is able to pick one of the three possible configurations (C0, C1, or C2) in which to boot the system. POST picks the configuration with the most SBus cards available and enough memory to boot, and performs the following tasks.

- Selects a System Master
- Configures and interleaves the memory
- Prints the system and memory display (in verbose mode only)
- Builds structures to pass to the OpenBoot firmware
- Copies the system IDPROM into NVRAM on each board
- Selects an MQH to do the demap replies
- Sets final LED values
- Scrubs the memory
- Initializes all CPUs and MXCCs for booting

Finally, POST completes execution by transferring control to the OpenBoot program.

Sample POST Output



This appendix shows the output that POST typically displays when it is run in diag mode on a SPARCcenter 2000 system.

```
1A>map16 test
1A>
BIST Status = 00000001 Signatures - CPU = 456E34F1 MXCC = 47478190
1A>
    **** SPARCcenter_2000 MP POST Rev 6 ****

1A>EPROMs Test
1A>   EPROM path Test
1A>   EPROM checksum Test
1B>
BIST Status = 00000001 Signatures - CPU = 456E34F1 MXCC = 47478190
1B>map16 test
1B>
    **** SPARCcenter_2000 MP POST Rev 6 ****

1B>EPROMs Test
1B>   EPROM path Test
1B>   EPROM checksum Test
1A>LEDs Test
1A>   WALK LED Test
1A>Serial Ports Test
1A>   Port A Register Test !"#$%&'()*+,-
./0123456789:;<=>?@ABCDEFGHIJKLMNopQRSTUVWXYZ[\]^_`abcdefghijklmnopqrstuvwxy{ }~
1A>   Serial Port B Loopback Test
1A>   Keyboard and Mouse Test
1A>   Keyboard Loopback Test
```

```
1A> Mouse Loopback Test
1A>NVRAM TOD Test
1B>LEDs Test
1B> WALK LED Test
1A>Basic CPU Test
1A> FPU Register Test
1A> FPU Functional Test
1B>Serial Ports Test
1B> Port A RegisterTest
!"#$%&'()*+,-
./0123456789:;<=>?@ABCDEFGHIJKLMNPOQRSTUVWXYZ[\]^_`abcdefghijklmnopqrstuvwxy{|}~
1B> Serial Port B Loopback Test
1B>Keyboard and Mouse Test
1B> Keyboard Loopback Test
1B> Mouse Loopback Test
1B>NVRAM TOD Test
1B>Basic CPU Test
1B> FPU Register Test
1B> FPU Functional Test
1B> MMU TLB Test
1B> Instruction Cache Tags Test
1A> Instruction Cache Ram Test
1B> Instruction Cache Ram Test
1A> Data Cache Tags Test
1A> Data Cache Ram Test
1A> Store Buffer Tags Test
1A> Store Buffer RAM Test
1A> Store Buffer Functional Test
1A> MXCC Registers Test
1B> Data Cache Tags Test
1A> Init MXCC Regs
1A>Ecache Test
1A> Setting Cache Size
1A> Ecache Tags Test
1B> Data Cache Ram Test
1A> Ecache SRAM Test
1B> Store Buffer Tags Test
1B> Store Buffer RAM Test
1B> Store Buffer Functional Test
1B> MXCC Registers Test
1B> Init MXCC Regs
1B>Ecache Test
1B> Setting Cache Size
1B> Ecache Tags Test
1B> Ecache SRAM Test
```



```
1A>   Ecache Enable
1A>   Clear CC SRAM
1B>   Ecache Enable
1B>   Clear CC SRAM
1A>BW0 Regs Test
1A>   C_0 BW
1A>   BW Registers Test
1A>   Timers and Interrupts Test
1A>   BW Tag RAM 6N Test
1A>BW1 Regs Test
1A>   C_1 BW
1A>   BW Registers Test
1A>   Timers and Interrupts Test
1A>   BW Tag RAM 6N Test
1A>BW Interleave Test
1A>   C_2 BW
1A>C2 BW Tags Test
1A>   BW Tag RAM 6N Test
1B>BW0 Regs Test
1B>   C_0 BW
1B>   BW Registers Test
1B>   Timers and Interrupts Test
1B>   BW Tag RAM 6N Test
1B>BW1 Regs Test
1B>   C_1 BW
1B>   BW Registers Test
1B>   Timers and Interrupts Test
1B>   BW Tag RAM 6N Test
1B>BW Interleave Test
1B>   C_2 BW
1B>C2 BW Tags Test
1B>   BW Tag RAM 6N Test
1A>C0 MQH Test
1A>   C_0 BW,MQH
1A>   MQH Registers Test
1A>   MQH Initialization
1A>   Enable ECC
1A>   Memory Test
1A>   Config Memory Available
1A> Config Board = 64MB, Config Total = 64MB
1A>C0 IOC Test
1A>   C_0 BW,IOC
1A>   IOC Registers Test
1A>   IOC XDBus Tags Test
1A>   IOC Sbus Tags Test
```

```
1A> IOC Cache RAM Test
1A>C0 SBI Test
1A> SBI Initialization
1A> SBI Registers Test
1A> SBI Initialization
1A> SBus Interrupts Test
1A>C0 SBUS Cards Test
1A> SBI Initialization
1A> Checking for SBUS cards
1A>Board 1 Slot 3 occupied
1A>C0 XDBus Timing Test
1A> C_0 BW
1A> Compute XDBus Frequency
1A>Bus frequency = 40 MHz
1A> TOD Delay
1A>C0 XPT Test
1A> C_0 BW,IOC
1A> XPT Read Write Test
1A>C0 BW MQH Consistency Test
1A> C_0 BW,MQH
1A> BW MQH Cache Consistency Test
1A>C0 IOC MQH Consistency Test
1A> C_0 BW,IOC,MQH
1A> SBus Loopback Test
1A> Testing slot 0 on board 1
1A> Testing slot 1 on board 1
1A> Testing slot 2 on board 1
1A> Testing slot 3 on board 1
1A> IOC MQH Consistency Test
1A>C0 BW IOC Consistency Test
1A> C_0 BW,IOC,MQH
1A> Cache States Test
1A> BW IOC Consistency Test
1A>SPARC Module Board Master Test
1A> C_0 BW,MQH
1A> CPU and Cache Test
1A> MMU PTP Cache Invalidation Test
1A> MMU Stuff TLB Hit Test
1A> MMU Table Walk Test
1A> MMU Flush Test
1A> MMU TLB Lock Test
1A> MMU TLB Protection Error Test
1A> MMU Table Walk With Parity Error Test
1A> MMU Table Walk With ECC Error Test
1B>SPARC Module Board Slave Test
```

```
1B> Read MQH State
1B> C_0 BW,MQH
1B> CPU and Cache Test
1B> MMU PTP Cache Invalidation Test
1B> MMU Stuff TLB Hit Test
1B> MMU Table Walk Test
1B> MMU Flush Test
1B> MMU TLB Lock Test
1B> MMU TLB Protection Error Test
1B> MMU Table Walk With Parity Error Test
1B> MMU Table Walk With ECC Error Test
1A>C1 MQH Test
1A> C_1 BW,MQH
1A> MQH Registers Test
1A> MQH Initialization
1A> Enable ECC
1A> Memory Test
1A> Config Memory Available
1A> Config Board = 64MB, Config Total = 64MB
1A>C1 IOC Test
1A> C_1 BW,IOC,MQH
1A> IOC Registers Test
1A> IOC XDBus Tags Test
1A> IOC Sbus Tags Test
1A> IOC Cache RAM Test
1A>C1 SBI Test
1A> SBI Initialization
1A> SBI Registers Test
1A> SBI Initialization
1A> SBus Interrupts Test
1A>C1 SBUS Cards Test
1A> SBI Initialization
1A> Checking for SBUS cards
1A>Board 1 Slot 3 occupied
1A>C1 BW MQH Consistency Test
1A> C_1 BW,MQH
1A> BW MQH Cache Consistency Test
1A>C1 IOC MQH Consistency Test
1A> C_1 BW,IOC,MQH
1A> SBus Loopback Test
1A> IOC MQH Consistency Test
1A>C1 BW IOC Consistency Test
1A> C_1 BW,IOC,MQH
1A> Cache States Test
1A> BW IOC Consistency Test
```

```

1A>C2 IOC Test
1A>   C_2 BW,IOC
1A>   IOC Registers Test
1A>   IOC XDBus Tags Test
1A>   IOC Sbus Tags Test
1A>   IOC Cache RAM Test
1A>C2 SBUS Cards Test
1A>   SBI Initialization
1A>   Checking for SBUS cards
1A>Board 1 Slot 3 occupied
1A>Bus Ring Test
1A>   Verify Bus Ring Test
1A>C0 BP Check Test
1A>   Wait for Alt
1A>   XDBus setup C_0
1A>   C0 Backplane Check Test
1A>C0 Exit LB Test
1A>   Loopback Exit C_0 Test
1A>C1 BP Check Test
1A>   Wait for Alt
1A>   XDBus setup C_1
1A>   C1 Backplane Check Test
1A>C1 Exit LB Test
1A>   Loopback Exit C_1 Test
1A>       Booting in configuration: C_2
1A>programming MQH group addr at E1101000 to 00400008
1A>programming MQH group addr at E1101008 to 00000008
1A>programming MQH group addr at E1101100 to 00400008
1A>programming MQH group addr at E1101108 to 00000008
1A>Reading Address Decoding Registers from Hardware:
1A>b1 d0 g0 IF 0 IV 0 ssize 2
1A>b1 d0 g1 IF 0 IV 0 ssize 2
1A>b1 d1 g0 IF 0 IV 0 ssize 2
1A>b1 d1 g1 IF 0 IV 0 ssize 2
1A>total pmem 0x00008000 [pages] 0x08000000 [bytes] in 1 chunks:
1A>DRAM chunk 0 base 0x00000000 size 0x00008000
1A>   Configuration = C2
1A>   (0=failed,1=passed,blank=untested/unavailable)
1A>   (sbus 1=card present,0=card not present,x=failed)
1A>-----+-----+-----+-----+-----+-----+-----+-----+-----+-----+-----+-----+-----+-----+-----+
1A>Slot|cpuA|bw0|bw1|cpuB|bw0|bw1|bb|ioc0|ioc1|sbi|mgh0|mgh1|mem|sbus|xd1|xd0|
1A>-----+-----+-----+-----+-----+-----+-----+-----+-----+-----+-----+-----+-----+-----+-----+
1A>  1 | 1 | 1 | 1 | 1 | 1 | 1 | 1 | 1 | 1 | 1 | 1 | 1 | 128|1000| 1 | 1 |
1A>-----+-----+-----+-----+-----+-----+-----+-----+-----+-----+-----+-----+-----+-----+-----+
1A>

```

```
1A>Memory Group Status
(0=failed,1=passed,m=simm missing,c=simm mismatch,blank=unpopulated/unused)
1A>+---+-----+-----+-----+-----+
1A>Slot |xd0_g0|xd0_g1|xd1_g0|xd1_g1|
1A>+---+-----+-----+-----+-----+
1A>  1 |    1 |    1 |    1 |    1 |
1A>+---+-----+-----+-----+-----+
```


POST Design Concepts



This appendix describes some principles on which the SPARCcenter 2000 system POST is designed.

B.1 Tests and Subtests

POST is a collection of diagnostics or *Tests* that examine system hardware and ensure that the system can boot successfully. Tests perform the following types of tasks: initializing and checking the hardware, acquiring resources needed during testing, and reconfiguring the hardware. Usually, each group of related components in a system has a test associated with it. Each test can contain an ordered list of *SubTests*; these subtests perform the individual tasks needed by the test. Once a test is selected to run, all the subtests associated with it execute unconditionally and in the specified order unless errors cause the test to be aborted. A subtest can be called by several tests. A test *fails* if any of its subtests fails and *passes* only if all of its subtests pass.

B.1.1 TestIDs and SubtestIDs

A *TestID* uniquely identifies each test. Similarly, within a test, a *SubTestID* uniquely identifies a subtest. The *TestID* and *SubTestID* together uniquely identify a given subtest from all other subtests in POST.

B.1.2 TestLists and Sequencers

Tests are grouped into ordered sequences called *TestLists*. POST executes in several phases, and each phase of POST has its own *TestList*. Each *TestList* has its own *Sequencer*, which executes each test in the *TestList* systematically. The *Sequencer* records the status of the current test in a global structure called the *TestStatesArray*. This table-driven structure allows tests to be added or removed easily while simplifying control flow.

B.1.3 Test Levels and Error Levels

Whenever a processor executes POST in normal mode, it does so at a given *Level*, which is an 8-bit number. The higher the level, the greater the number of tests and the more exhaustive the tests. Every test is assigned a *TestLevel*, and a given test can run only if its level is at or below the current level of POST

When POST executes in error mode, it uses the *ErrorLevel* variable instead of the *Level* variable used in normal mode. This variable allows the selection of specific initialization tests that are executed when POST encounters unexpected errors.

B.1.4 Test Design

Tests are designed and organized on the following principles:

- Each component should test itself as much as possible.
- Each component should be tested before it is used. A functional component must then be added to a pool of other working components.
- Two components, capable of testing themselves, must be allowed to interact only after exercising that capability, and their interaction must be controlled.
- As many tests as possible should deal with the normal case; tests for handling exceptions should be minimal because they are used infrequently and are hard to debug.

In the SPARCcenter 2000 system, the processor is the only component capable of testing itself as well as other components. Thus, testing begins at the processor. Using the “onion skin” method, the tests work their way outward from the processor, collecting a group of tested and functional components.

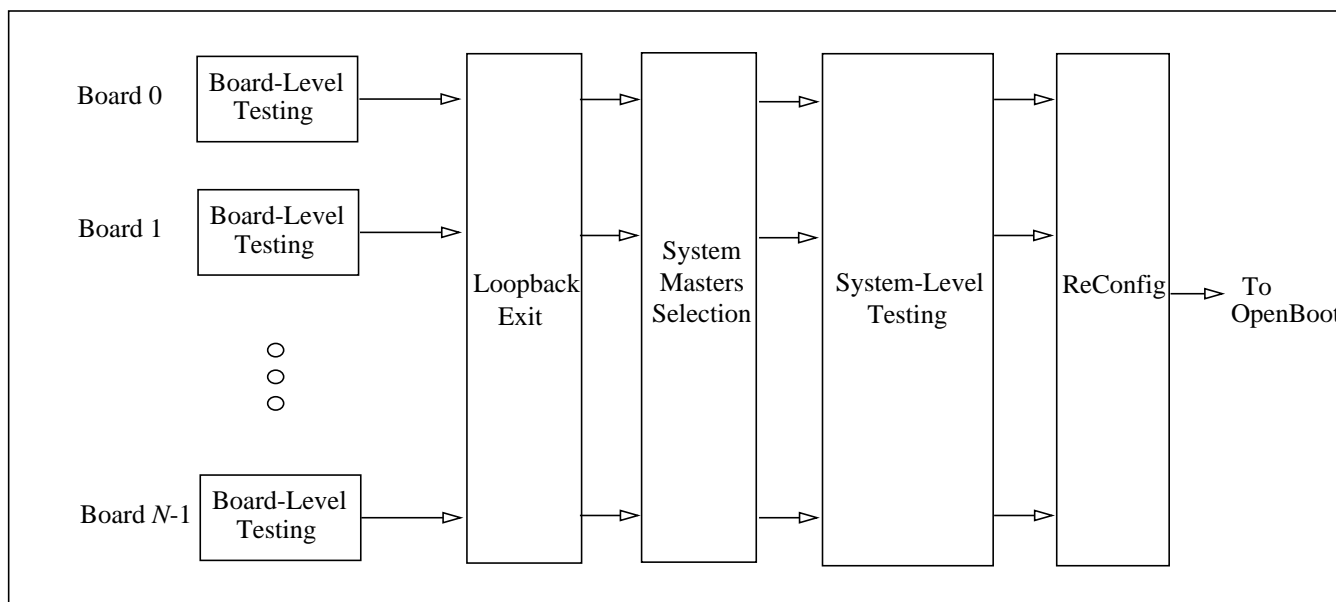
B.2 Phases of POST

POST execution in a SPARCcenter 2000 system takes place in five phases:

- Board-Level Testing
- Loopback Exit
- System Masters Selection
- System-Level Testing
- Reconfiguration.

Each phase has its own TestList and Sequencer. A Sequencer traverses its TestList, thereby determining the order in which tests are executed.

POST is a multiprocessor program; there are as many threads of control as there are processors in the system. A processor enters POST after a reset and leaves POST to hand control to the OpenBoot firmware once the machine has been tested and successfully configured. While POST is running, processors synchronize with each other at various points to coordinate testing and reconfiguration. The overall flow of control for POST is shown in the following diagram.



Board-Level Testing

On reset, the hardware automatically puts each board in loopback mode, and the processors on the board coordinate to do board-level testing before exiting loopback. During this testing phase, each board in the system is logically and electrically isolated from other boards. This prevents failures on one board from corrupting other boards. A processor that fails during this phase becomes inactive.

The types of tests executed during this phase include BootBus tests, CPU module, cache controller, external RAM, and Bus Watcher tests, as well as tests that ensure the functionality of non-processor components on the board.

Loopback Exit

During loopback exit, each processor verifies its connection to the backplane. Processors that pass this test synchronize and enable their boards on to the backplane; processors that fail remain inactive. The purpose of this phase is to get working boards out of loopback so that they can be tested together.

System Master Selection

In this phase, the processors collectively elect system masters for each of the three configurations:

- *C0* (only XDBus0 enabled)
- *C1* (only XDBbus1 enabled)
- *C2* (both buses enabled).

These system masters are called *C0SM*, *C1SM*, and *C2SM*, respectively.

System-Level Testing

System-level testing is divided into three sub-phases: one for the *C0* configuration, one for *C1*, and one for *C2*. Each sub-phase is run by the corresponding system master. Each system master puts all the boards into the configuration for which it is master, then tests non-processor boards, and (for the *C0* and *C1* configurations) the system's main memory. Next, it runs system-level tests that include checking inter-processor interrupts, device-to-processor interrupts, and cache coherency. Finally, each system master computes the value of its configuration as the weighted sum of available resources and stores this value in specific registers of all working Bus Watcher ASICs in the system. These values are used in the reconfiguration phase of testing.

Reconfiguration

In the reconfiguration phase, the configuration with the highest value is the winner. The system master of the winning configuration initializes the system to be in this configuration. Memory is configured and interleaved, and bad memory groups are excluded. POST sends the OpenBoot firmware information on functioning system resources as well as:

- The device table, which includes data on the parts that failed POST.
- The memory list.
- The failed memory SIMM group listing. These are automatically cleared by POST at power-on reset.
- A list of failed memory SIMM pages. This list is also cleared at power-on reset.
- The System Watchdog error log for each board. This error log is saved across power-on resets and can even be examined when the board is returned to the repair depot.

B.3 Error Handling

A processor can encounter two types of errors: *expected* and *unexpected* during any phase of POST. An expected error is defined as a test failure in which the processor's control flow is not forcibly altered. In such a case, the Sequencer marks the test as having failed, and proceeds to the next test.

An unexpected error is defined as a failure in which the processor gets reset, and hardware forcibly transfers control to location 0xFF000000. In the case of an unexpected error, the processor runs in a special *error* mode. In this mode, the Sequencer for each phase traverses its list of tests as before, but executes only certain *initialization* subtests in a process called *replay*. When the processor reaches the test that generated the unexpected failure, it marks this test as having failed, leaves error mode, and proceeds with the normal execution sequence.

B.4 Running POST

You can invoke POST in two ways: by using *entry points* and by using *call-back routines*. When you use an entry point to invoke POST, tests are always executed at a particular *level*. The higher the level, the greater the number of tests that are run and the more thorough the tests.

Entry Points

POST has three entry points corresponding to the *power-on reset* (POR), *reboot* (RBT), and *post error* (ERR) cases.

- When entered at POR, POST runs at one of two levels determined by whether the machine's DIAG switch is set or not.
- When entered at RBT, POST can be invoked at any level under program control.
- When entered at ERR, POST tries to recover from the unexpected error it encountered during the last entry-point invocation of POST.

When POST is invoked using an entry point, it executes as a multi-thread program; the number of threads are equal to the number of processors in the system. Each processor keeps a record of where it is in its overall sequence of tests. If an error occurs, this record can tell POST or a user what a processor was attempting to do just before the error occurred.

Call-back Routines

POST also implements a number of *call-back routines* used by the OpenBoot firmware and higher level programs. A processor does not keep track of where it is in the overall sequence of its tests when executing a call-back routine. As a result, unexpected (asynchronous) errors within call-back routines are *not* handled by the ERR entry-point.

Glossary

Arbitration System

A bus arbitration system determines which processor can control the system at any instant. The arbitration system consists of circuits on the control board and the system boards.

ASIC

Applications specific integrated circuits (ASICs) are integrated circuits which perform specialized tasks in the system. If an ASIC (BARB, BBC, BIC, BW, BX, IOC, or SBI) fails, the entire system board must be replaced.

Backplane Subsystem

The backplane subsystem consists of the control board and the card cage.

Bank

A bank of memory consists of eight SIMMs. Each system board has space for two independent memory banks.

BARB

Board arbiter (BARB) ASICs are part of the bus arbitration system. BARBs are located on the system boards. See *Arbitration System*.

BBC

The BootBus Controller (BBC) ASIC is located on the control board. The BBC works with BBC2 ASICs on system boards to control parts of the boot process.

BBC2

BootBus Controller 2 (BBC2) ASICs are located on system boards. See *BBC*.

BIC

Every SPARCcenter 2000 system board has eight Bus Interface Chip (BIC) ASICs. BICs connect the board to the backplane XDBuses.

Board

The term board refers to the control board or to system boards. The SPARCcenter 2000 system has 1 control board and up to 10 system boards.

Board ID

Board slot ID codes are hardwired on the card cage backplane. A system board can be moved to any card cage slot without the need for jumper changes.

BootBus

The BootBus connects the OpenBoot PROM set on a system board to the SPARC processor modules on that same board.

BW

The system board has four Bus Watcher (BW) ASICs (two for each processor) to convert XDBus signals to higher-speed processor module bus signals.

C0, C1, and C2 Configurations

In the C0 configuration, POST configures the SPARCcenter 2000 system to operate with XDBus0 operational and XDBus1 disabled. All devices connected to XDBus1 are disabled so that they cannot interact with or affect the operation of the enabled devices on XDBus0.

In the C1 configuration, POST configures the system to operate with XDBus1 operational and XDBus0 disabled. All devices connected to XDBus0 are disabled so that they cannot interact with or affect the operation of the enabled devices on XDBus1.

In C2 configuration POST configures the system to operate with both XDBus0 and XDBus1 enabled. All devices connected to both these buses are enabled and functional.

Cache

Memory caches are located near various buses on the system board.

CARB

Two Central Arbitrator (CARB) ASICs on the control board are part of the multiprocessor arbitration system.

Card Cage

The SPARCcenter 2000 card cage has 10 system board slots (numbered 0 to 9). Slot numbers are marked on the outside of the card cage.

Card Slot

A SPARCcenter 2000 system board has four SBus card slots.

Clock Generation

System clocks are generated on the control board.

Control Board

The control board generates system clocks and is part of the multiprocessor arbitration system. The control board is located outside the card cage.

IOC

The I/O Cache (IOC) ASIC on the system board controls movement of data to and from the SBus card slots.

Key Switch

The key switch on the hinged door controls the AC supplies and the modes of system operation.

LED Indicators***System Cabinet***

LED indicators are on the front panel of the system cabinet. Ideally, the left and right LEDs should be on and the middle LED should be off; however, the system can still run (reliably) if all three LEDs are on.

Table G-1 Front Panel LED System Status

LED Position	Condition
Left (green)	On — DC power supply is receiving AC current
Middle (yellow)	On — (first 60 seconds of AC power) self tests are running
	Off — (after self-tests end) no hardware failures
	On — (after self-tests end) hardware failure was detected
Right (green)	Off - (first 60 seconds of AC power) self tests are running
	On — (after self-tests end) system is running
	Off — (after self-tests end) system cannot run; repair is needed

Control Board

The SPARCcenter 2000 control board has eight LEDs (four yellow and four green). With the board in normal viewing position (component side down), yellow LEDs are on the left, green LEDs are on the right. This sequence is shown in the following table.

Table G-2 Control Board LED Indicators

	Left				Right			
Mnemonic	SVP	RST	STP0	STP1	Vbb	Vdd	Vtt	Vcc
Meaning	Service Processor attached ¹	System Reset	Stop request from CARB0	Stop request from CARB1	-12 V	+12 V	+1.2 V ²	+5 V
Color	Yellow	Yellow	Yellow	Yellow	Green	Green	Green	Green

1. For factory or service depot use only.

2. Because Vcc (+5 V) supplies power for this LED, Vcc must be ready before the +1.2 V LED can light.

System Board

Every system board has 10 LEDs on the back panel. Two green LEDs (top positions) indicate the presence of one or two SPARC processor modules (or none). The remaining eight yellow LEDs (lower positions) are activated by software commands to the system's status registers and no particular meanings have been assigned to these 8 LEDs. In normal operation, the eight lower LEDs on the system master board will constantly turn on and off, in a cyclical pattern, while corresponding LEDs on the remaining system boards will be off.

MQH

The Memory Queue Handler (MQH) ASIC on the system board provides the interface between the system board SIMMs and the backplane buses.

MXCC

The Module XBus Cache Controller (MXCC) ASIC is located on the SPARC module and controls the flow of data to and from the XDBus.

NVRAM

Non-volatile, random access memory.

NVSIMM

The non-volatile SIMM (NVSIMM) is a battery-backed SIMM. Battery current is shared in a group of NVSIMMs, in the event that a single battery fails.

Power-on Position

This is one of four positions of the front panel key switch. When the key is in this position, turning on AC power (at the main AC breaker on the back of the server cabinet) or pressing the reset switch (on the inside of the front panel) causes POST diagnostics to run, followed by booting of the system.

Reset Switch

This switch is located on the back of the hinged door.

SBI

The SBus Interface (SBI) ASIC converts signals between the SBus and the higher-speed XDBus. There is one SBI on each system board.

SBus Card

SBus cards provide external interfaces and optional features to the system. There are four SBus connectors on a SPARCcenter 2000 system board.

Secure Position

This is one of four positions on the system key switch. In this position, the reset switch is disabled and the Stop-A keyboard combination is disabled.

SIMM

There are several types of single in-line memory modules (SIMMs). SIMMs are socketed on the system board for easy replacement.

TLB

The SuperSPARC™ chip translation buffer.

TODC (Time of Day Clock)

TODC contains the system date and time. Every system board has a TODC, but only the TODC on the master board is used.

XDBus

The XDBus is the system bus. In the SPARCcenter 2000 system, there are two such buses: XDBus0 and XDBus1.

Index

B

Basic CPU test, 2-8
board LEDs, 1-4
Bus Ring test, 2-108
BW Interleave test, 2-30
BW0 Regs test, 2-22
BW1 Regs test, 2-26

C

C0 BP Check test, 2-109
C0 BW IOC Consistency test, 2-53
C0 BW MQH Consistency test, 2-46
C0 configuration, B-4
C0 Exit LB test, 2-110
C0 IO Ring test, 2-36
C0 IOC MQH Consistency test, 2-49
C0 IOC test, 2-37
C0 MQH test, 2-32
C0 NPB Delay test, 2-126
C0 NPB IO Ring test, 2-118
C0 NPB IO test, 2-119
C0 NPB Loopback Exit test, 2-113
C0 NPB MQH test, 2-114
C0 NPB SBI test, 2-122
C0 NPB SBus Cards test, 2-125

C0 NPB XPT test, 2-127
C0 SBI test, 2-40
C0 SBus Cards test, 2-43
C0 XDBus Timing test, 2-44
C0 XPT test, 2-45
C1 BP Check test, 2-111
C1 BW IOC Consistency test, 2-99
C1 BW MQH Consistency test, 2-91
C1 configuration, B-4
C1 Exit LB test, 2-112
C1 IO Ring test, 2-81
C1 IOC MQH Consistency test, 2-94
C1 IOC test, 2-82
C1 MQH test, 2-78
C1 NPB Delay test, 2-141
C1 NPB IO Ring test, 2-133
C1 NPB IO test, 2-134
C1 NPB Loopback Exit test, 2-128
C1 NPB MQH test, 2-129
C1 NPB SBI test, 2-137
C1 NPB SBus Cards test, 2-140
C1 NPB XPT test, 2-142
C1 SBI test, 2-85
C1 SBus Cards test, 2-88
C1 XDBus Timing test, 2-89
C1 XPT test, 2-90

C2 BW Tags test, 2-30
C2 configuration, B-4
C2 IOC test, 2-104
C2 Loopback Exit test, 2-143
C2 NPB IO Ring test, 2-144
C2 NPB IO test, 2-145
C2 NPB SBus Cards test, 2-148
C2 SBus Cards test, 2-107

D

DEMON menus, 1-8
diag mode, 1-3

E

early POST tests, 2-2
Ecache test, 2-17
EPROMs test, 2-3
error message, 1-4
ErrorLevel, B-2
expected error, B-5

K

Keyboard and Mouse test, 2-7

L

LEDs test, 2-4

M

Memory Ring test, 2-31

N

normal mode, 1-2
NVRAM TOD test, 2-8

O

onion skin method, B-2

P

phases of POST, B-3
Processor Ring test, 2-20

R

replay, B-5

S

Sequencer, B-2
Serial Ports test, 2-5
SPARC Module Board Master test, 2-59
SPARC Module Board Slave test, 2-68
SubTestID, B-1
system LEDs, 1-3

T

TestID, B-1
TestLevel, B-2
TestLists, B-2
TestStatesArray, B-2

U

unexpected error, B-5
user interface commands, 1-6

Reader Comments

We welcome your comments and suggestions to help improve the *SPARCcenter 2000: POST User's Guide*, part number, 800-7481-10. Please take time to let us know what you think about this manual.

- The information was well documented and easy to follow.

Strongly Agree	Agree	Disagree	Strongly Disagree	Not Applicable
<input type="checkbox"/>	<input type="checkbox"/>	<input type="checkbox"/>	<input type="checkbox"/>	<input type="checkbox"/>

Comments _____

- The information provided in the manual was complete.

Strongly Agree	Agree	Disagree	Strongly Disagree	Not Applicable
<input type="checkbox"/>	<input type="checkbox"/>	<input type="checkbox"/>	<input type="checkbox"/>	<input type="checkbox"/>

Comments _____

- The information I needed was easy to find.

Strongly Agree	Agree	Disagree	Strongly Disagree	Not Applicable
<input type="checkbox"/>	<input type="checkbox"/>	<input type="checkbox"/>	<input type="checkbox"/>	<input type="checkbox"/>

Comments _____

- The manual was useful to me.

Strongly Agree	Agree	Disagree	Strongly Disagree	Not Applicable
<input type="checkbox"/>	<input type="checkbox"/>	<input type="checkbox"/>	<input type="checkbox"/>	<input type="checkbox"/>

Comments _____

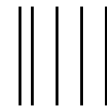
- Do you have additional comments about the *SPARCcenter 2000: POST User's Guide*?

Name: _____

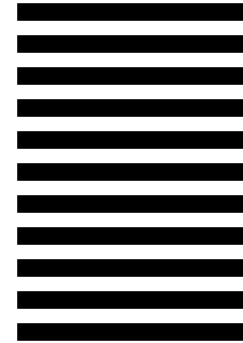
Title: _____

Company: _____

Address: _____



NO POSTAGE
NECESSARY
IF MAILED
IN THE
UNITED STATES



BUSINESS REPLY MAIL
FIRST CLASS MAIL PERMIT NO. 1 MOUNTAIN VIEW, CA

POSTAGE WILL BE PAID BY ADDRESSEE



-
-
- SUN MICROSYSTEMS, INC.
- Attn: SMCC Technical Publications
- MS MTV15-42
- 2550 Garcia Avenue
- Mt. View, CA 94043

