

---

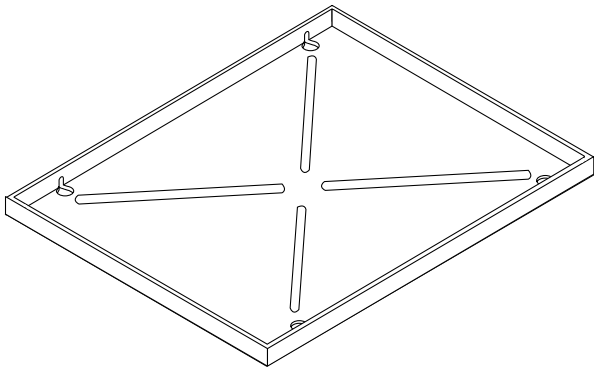
When you are installing StorEdge T3 Array(s) in a Sun Enterprise 6500/5500 System Cabinet, you are required to install a 1 RU Air Baffle to maintain the cooling levels for the cabinet environment. The system cabinet can support up to two T3s. The T3s must be installed in the lowest possible location within the rack. Refer to the Rackmount Placement Matrix at the following website for T3 rackmount hole locations:

<http://docs.sun.com:80/ab2/coll.242.1/RACKMNTMTRX/>

The kit contains:

One 1 Ru Air Baffle

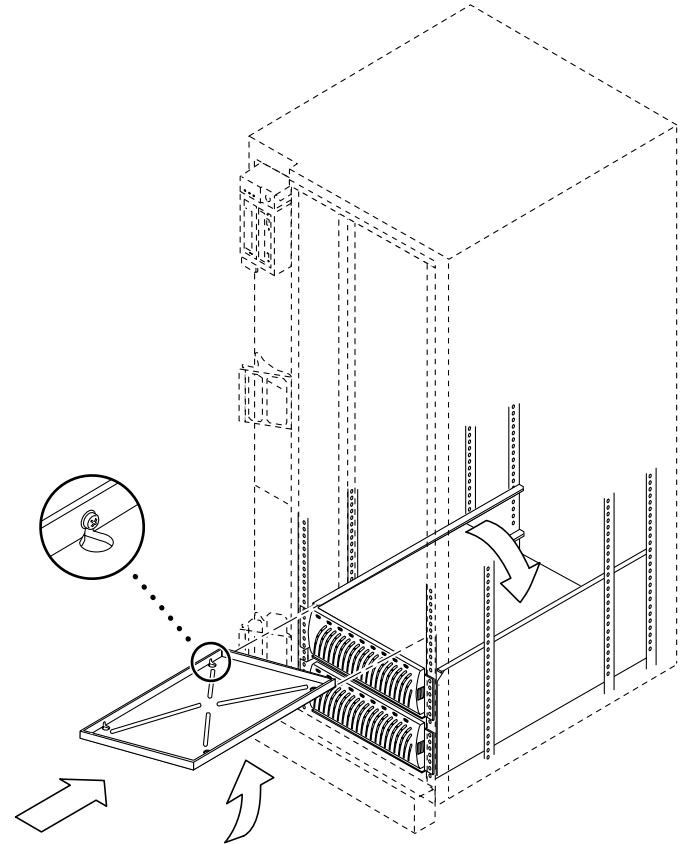
Four #10-32 1/2-inch screws



## Installing the Air Baffle

1. Position the system away from the wall and open the rear door. Open the front door.
2. Locate the rail holes directly above the top most T3. Loosely insert the four screws to the front and rear rackmount holes of the cabinet.

3. From the front of the system, slide the air baffle at a slight angle into the rack above the T3(s) and lower the air baffle onto the screws.



4. Tighten all four screws to secure the air baffle.
  5. Close the rear door and the front door and reposition the system.
-

---

## Ordering Sun Documentation

Fatbrain.com, an Internet professional bookstore, stocks select product documentation from Sun Microsystems, Inc. For a list of documents and how to order them, visit the Sun Documentation Center on Fatbrain.com at:

<http://www1.fatbrain.com/documentation/sun>

## Sun Welcomes Your Comments


Sun is interested in improving its documentation and welcomes your comments and suggestions. You can email your comments to Sun at:

[docfeedback@sun.com](mailto:docfeedback@sun.com)

Please include the part number (806-5341-10) of the document in the subject line of your email.

Copyright 2000 Sun Microsystems, Inc. All rights reserved. Use is subject to license terms. Third-party software, including font technology, is copyrighted and licensed from Sun suppliers. Sun, Sun Microsystems, the Sun Logo, AnswerBook2, docs.sun.com, and Solaris are trademarks or registered trademarks of Sun Microsystems, Inc. in the U.S. and other countries. **RESTRICTED RIGHTS:** Use, duplication, or disclosure by the U.S. Government is subject to restrictions of FAR 52.227-14(g)(2)(6/87) and FAR 52.227-19(6/87), or DFAR 252.227-7015(b)(6/95) and DFAR fs227.7202-3(a).

Copyright 2000 Sun Microsystems, Inc. Tous droits réservés. Distribué par des licences qui en restreignent l'utilisation. Le logiciel détenu par des tiers, et qui comprend la technologie relative aux polices de caractères, est protégé par un copyright et licencié par des fournisseurs de Sun. Sun, Sun Microsystems, le logo Sun, AnswerBook2, docs.sun.com, et Solaris sont des marques de fabrique ou des marques déposées de Sun Microsystems, Inc. aux Etats-Unis et dans d'autres pays.

 Please Recycle Sun Microsystems, Inc. • 901 San Antonio Road • Palo Alto, CA 94303-4900  
USA • 650 960-1300 • Fax 650 969-9131



Part Number: 806-5341-10  
June 2000, Revision A



---

# 1 RU Air Baffle Installation Guide for the Sun Enterprise™ 6500/5500 System Cabinet

