

---

EMI foam gaskets are used only on the EMI doors of the Sun Enterprise 6500 system using the 464-MHz CPU/Memory module.

This kit contains 12 pieces of EMI foam gaskets, with labels A–G located beneath the adhesive strips of each gasket:

- Three 16-inch gaskets, labeled A
- One 18-inch angled gasket, labeled B
- Three 1-inch gaskets, labeled C
- Two 4.5-inch angled gaskets, labeled D
- One 4.50-inch gasket, labeled E
- One 7.50-inch gasket, labeled F
- One 10.75-inch gasket, labeled G

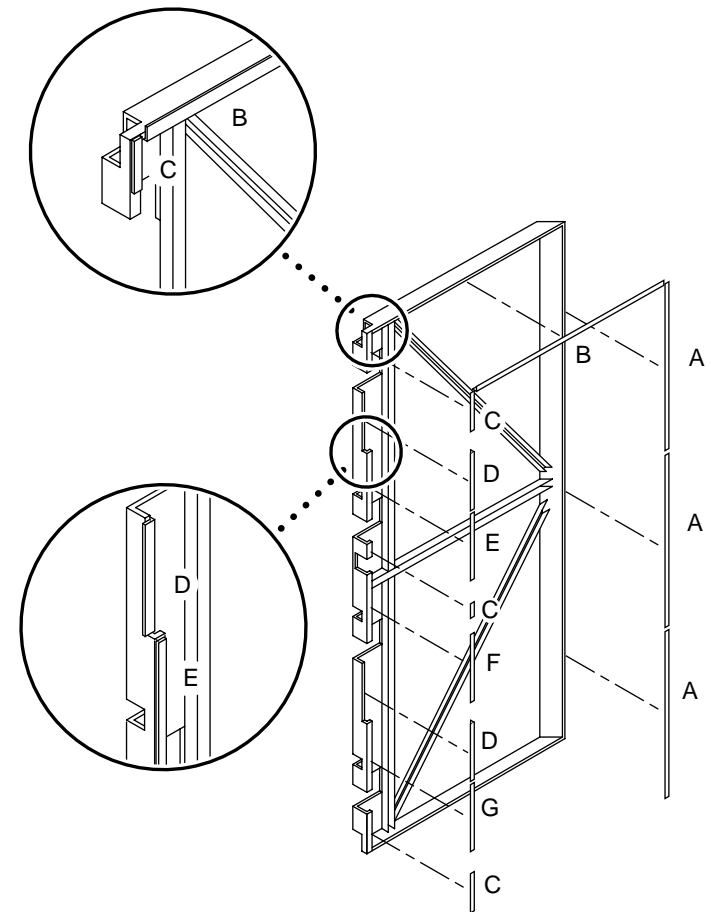
---

**Note** – The 464-MHz 8-Mbyte CPU modules in Sun Enterprise 6500/5500 and rackmounted Sun Enterprise 4500 systems should not exceed temperatures of 35°C between 0–6,000 foot altitude or exceed 32°C between 6,000–10,000 foot altitude. Standalone Sun Enterprise 4500 and 3500 systems cannot exceed 40°C between 0–6,000 feet or exceed 37°C between 6,000–10,000 feet.

---

1. **Open the front door and the EMI door.**
2. **Peel the adhesive from the back of the 16-inch gasket, labeled A, and apply it along the top right side interior edge of the EMI door.**  
Repeat this step for the remaining two 16-inch gaskets labeled A.
3. **Peel the adhesive from the back of the 18-inch angled gasket, labeled B, and align the adhesive edge with the underside edge of the EMI door.**  
The label B should be visible once the gasket is applied on the door.
4. **Peel the adhesive from the back of the 1-inch gasket, labeled C, and apply it to the top left interior edge of the EMI door.**  
Repeat this procedure for the other two 1-inch gaskets labeled C and apply them to center and bottom edges.
5. **Peel the adhesive from the back of the 4.5-inch gasket, labeled D, and align the adhesive edge with the first cut-out edge of the EMI door interior.**  
Repeat this step for the other 4.5-inch angled gasket labeled D and apply it to the second cut-out further down the left edge of the EMI door. The label D should be visible once the gasket is applied on the door.

6. **Peel the adhesive from the back of the remaining foam gaskets, labeled E, F, and G, and apply them to the remaining left interior edge of the EMI door.**
7. **Close the EMI door by depressing the EMI latch with one hand and pushing the EMI door firmly with the other hand until it latches.**
8. **Close the front door.**



Placement of labeled EMI foam gaskets on EMI door interior

---

---

## Accessing Sun Documentation Online

A broad selection of Sun system documentation is located at the following web site:

<http://www.sun.com/products-n-solutions/hardware/docs>

To locate the most current documentation at this site, select a product category. The documents at that location may include updated information that did not ship with your product, such as product notes, release notes, late-breaking news, or later revisions of manuals.

## Ordering Sun Documentation

Fatbrain.com, an Internet professional bookstore, stocks select product documentation from Sun Microsystems, Inc. For a list of documents and how to order them, visit the Sun Documentation Center on Fatbrain.com at:

<http://www1.fatbrain.com/documentation/sun>

## Sun Welcomes Your Comments

Sun is interested in improving its documentation and welcomes your comments and suggestions. You can email your comments to Sun at:

[docfeedback@sun.com](mailto:docfeedback@sun.com)

Please include the part number (816-1593-10) of the document in the subject line of your email.

Copyright 2001 Sun Microsystems, Inc. All rights reserved. Use is subject to license terms. Third-party software, including font technology, is copyrighted and licensed from Sun suppliers. Sun, Sun Microsystems, the Sun Logo, AnswerBook2, docs.sun.com, Sun Enterprise, and Solaris are trademarks or registered trademarks of Sun Microsystems, Inc. in the U.S. and other countries. **RESTRICTED RIGHTS:** Use, duplication, or disclosure by the U.S. Federal Acquisitions: Commercial Software—Government Users Subject to Standard License Terms and Conditions. Federal Acquisitions: Commercial Software—Government Users Subject to Standard License Terms and Conditions.

Copyright 2001 Sun Microsystems, Inc. Tous droits réservés. Distribué par des licences qui en restreignent l'utilisation. Le logiciel détenu par des tiers, et qui comprend la technologie relative aux polices de caractères, est protégé par un copyright et licencié par des fournisseurs de Sun. Sun, Sun Microsystems, le logo Sun, AnswerBook2, docs.sun.com, et Solaris sont des marques de fabrique ou des marques déposées de Sun Microsystems, Inc. aux Etats-Unis et dans d'autres pays.



Please Recycle

Sun Microsystems, Inc. • 901 San Antonio Road • Palo Alto, CA 94303-4900  
USA • 650 960-1300 • Fax 650 969-9131



Part Number: 816-1593-10  
June 2001, Revision A



---

# Sun Enterprise™ 6500 System EMI Foam Gasket Installation Guide

