



# Sun™ Modular Storage Rail Kit Installation Guide

---

For Sun Rack II 1U and 2U Static Rail Kits

Sun Microsystems, Inc.  
[www.sun.com](http://www.sun.com)

Part No. 820-5774-12  
September 2009, Revision A

Submit comments about this document by clicking the Feedback[+] link at: <http://docs.sun.com>

Copyright © 2009 Sun Microsystems, Inc., 4150 Network Circle, Santa Clara, California 95054, U.S.A. All rights reserved.

Sun Microsystems, Inc. has intellectual property rights relating to technology that is described in this document. In particular, and without limitation, these intellectual property rights may include one or more of the U.S. patents listed at <http://www.sun.com/patents> and one or more additional patents or pending patent applications in the U.S. and in other countries.

This document and the product to which it pertains are distributed under licenses restricting their use, copying, distribution, and decompilation. No part of the product or of this document may be reproduced in any form by any means without prior written authorization of Sun and its licensors, if any.

Third-party software, including font technology, is copyrighted and licensed from Sun suppliers.

Parts of the product may be derived from Berkeley BSD systems, licensed from the University of California. UNIX is a registered trademark in the U.S. and in other countries, exclusively licensed through X/Open Company, Ltd.

Sun, Sun Microsystems, the Sun logo, Java, docs.sun.com, Sun StorEdge, Sun StorageTek, and Solaris are trademarks or registered trademarks of Sun Microsystems, Inc., or its subsidiaries, in the U.S. and in other countries.

All SPARC trademarks are used under license and are trademarks or registered trademarks of SPARC International, Inc. in the U.S. and in other countries. Products bearing SPARC trademarks are based upon an architecture developed by Sun Microsystems, Inc.

The OPEN LOOK and Sun™ Graphical User Interface was developed by Sun Microsystems, Inc. for its users and licensees. Sun acknowledges the pioneering efforts of Xerox in researching and developing the concept of visual or graphical user interfaces for the computer industry. Sun holds a non-exclusive license from Xerox to the Xerox Graphical User Interface, which license also covers Sun's licensees who implement OPEN LOOK GUIs and otherwise comply with Sun's written license agreements.

U.S. Government Rights—Commercial use. Government users are subject to the Sun Microsystems, Inc. standard license agreement and applicable provisions of the FAR and its supplements.

DOCUMENTATION IS PROVIDED "AS IS" AND ALL EXPRESS OR IMPLIED CONDITIONS, REPRESENTATIONS AND WARRANTIES, INCLUDING ANY IMPLIED WARRANTY OF MERCHANTABILITY, FITNESS FOR A PARTICULAR PURPOSE OR NON-INFRINGEMENT, ARE DISCLAIMED, EXCEPT TO THE EXTENT THAT SUCH DISCLAIMERS ARE HELD TO BE LEGALLY INVALID.

---

Copyright © 2009 Sun Microsystems, Inc., 4150 Network Circle, Santa Clara, Californie 95054, États-Unis. Tous droits réservés.

Sun Microsystems, Inc. possède les droits de propriété intellectuels relatifs à la technologie décrite dans ce document. En particulier, et sans limitation, ces droits de propriété intellectuels peuvent inclure un ou plusieurs des brevets américains listés sur le site <http://www.sun.com/patents>, un ou les plusieurs brevets supplémentaires ainsi que les demandes de brevet en attente aux les États-Unis et dans d'autres pays.

Ce document et le produit auquel il se rapporte sont protégés par un copyright et distribués sous licences, celles-ci en restreignent l'utilisation, la copie, la distribution, et la décompilation. Aucune partie de ce produit ou document ne peut être reproduite sous aucune forme, par quelque moyen que ce soit, sans l'autorisation préalable et écrite de Sun et de ses bailleurs de licence, s'il y en a.

Tout logiciel tiers, sa technologie relative aux polices de caractères, comprise, est protégé par un copyright et licencié par des fournisseurs de Sun.

Des parties de ce produit peuvent dériver des systèmes Berkeley BSD licenciés par l'Université de Californie. UNIX est une marque déposée aux États-Unis et dans d'autres pays, licenciée exclusivement par X/Open Company, Ltd.

Sun, Sun Microsystems, le logo Sun, Java, docs.sun.com, Sun StorEdge, Sun StorageTek, et Solaris sont des marques de fabrique ou des marques déposées de Sun Microsystems, Inc., ou ses filiales, aux États-Unis et autres pays.

Toutes les marques SPARC sont utilisées sous licence et sont des marques de fabrique ou des marques déposées de SPARC International, Inc. aux États-Unis et dans d'autres pays. Les produits portant les marques SPARC sont basés sur une architecture développée par Sun Microsystems, Inc.

L'interface utilisateur graphique OPEN LOOK et Sun™ a été développée par Sun Microsystems, Inc. pour ses utilisateurs et licenciés. Sun reconnaît les efforts de pionniers de Xerox dans la recherche et le développement du concept des interfaces utilisateur visuelles ou graphiques pour l'industrie informatique. Sun détient une licence non exclusive de Xerox sur l'interface utilisateur graphique Xerox, cette licence couvrant également les licenciés de Sun implémentant les interfaces utilisateur graphiques OPEN LOOK et se conforment en outre aux licences écrites de Sun.

LA DOCUMENTATION EST FOURNIE "EN L'ÉTAT" ET TOUTES AUTRES CONDITIONS, DÉCLARATIONS ET GARANTIES EXPRESSES OU TACITES SONT FORMELLEMENT EXCLUES DANS LA LIMITE DE LA LOI APPLICABLE, Y COMPRIS NOTAMMENT TOUTE GARANTIE IMPLICITE RELATIVE À LA QUALITÉ MARCHANDE, À L'APTITUDE À UNE UTILISATION PARTICULIÈRE OU À L'ABSENCE DE CONTREFAÇON.



# Installing Modular Storage Rails

---

This guide describes how to install modular storage rails into the Sun Rack II. It applies to both the 2 rack unit (RU) and 1 RU modular storage rail kits. Supported controller and tray hardware for each kit is discussed in [“Supported Array Hardware”](#) on page 2.

Additional documentation, including documentation needed to complete array installation, can be found in [“Related Documentation”](#) on page 13.

The following topics are discussed:

- [“Supported Array Hardware”](#) on page 2
- [“Prepare for Installation”](#) on page 2
- [“Install the Rail Hardware in the Rack”](#) on page 4
- [“Insert the Cage Nuts Into the Rail Holes”](#) on page 10
- [“Mount the Array In the Rack”](#) on page 11
- [“Related Documentation”](#) on page 13
- [“Sun Contact Information”](#) on page 14

---

# Supported Array Hardware

Each rail kit can support a variety of Sun modular storage hardware. Be sure to use the correct kit for your equipment.

**2U Modular Storage Rail Kit** - Used for the installation of Sun Storage 6580 and 6780 array controller trays.

**1U Modular Storage Rail Kit** - Used for the installation of all tray hardware for the Sun Storage 6180 arrays, Sun StorageTek 2500 series arrays, Sun StorageTek 6140 and 6540 arrays, and expansion tray products such as the Sun StorageTek CSM200 expansion modules.

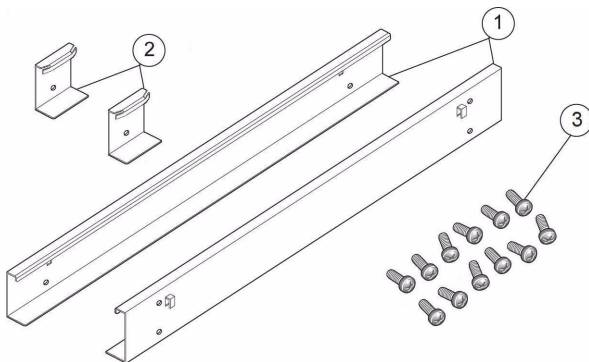
---

## Prepare for Installation

### Check the Contents of the Rail Kit

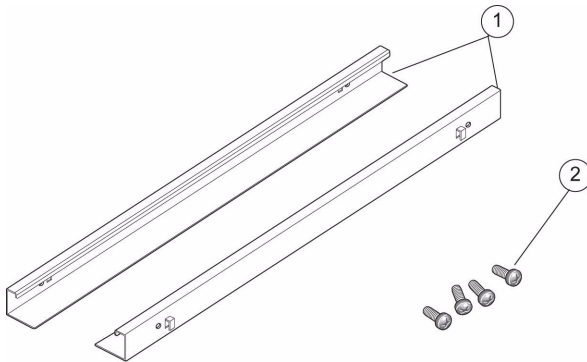
The modular storage rails are designed exclusively for the Sun Rack II family of racks. [FIGURE 1](#) shows the contents of the 2U rack kit. [FIGURE 2](#) shows the contents of the 1U rack kit.

**FIGURE 1** Contents of the 2U Modular Storage Rail Kit



Callout	Description
1	Two 2U modular storage static rails
2	Two 2U rear restraint brackets
3	12 M6 thread forming screws

**FIGURE 2** Contents of the 1U Modular Storage Rail Kit



Callout	Description
1	Two 1U modular storage static rails
2	Four M6 thread forming screws

## Gather Required Items

- T30 Torx wrench (provided with the Sun Rack II). Alternately, you can use an 18V variable-speed portable drill with a T30 Torx bit extension (recommended).
- Two cage nuts (provided with the Sun Rack II) for each array you will install.

## Read Safety Guidelines

Follow all safety guidelines as described in:

- *Important Safety Information for Sun Hardware Systems*
- *Sun Storage Regulatory and Safety Compliance Manual*

## Install and Stabilize the Rack

See the *Sun Rack II User's Guide* (820-4759) for complete installation instructions.

**FIGURE 3** Sun Rack II



---

## Install the Rail Hardware in the Rack

### 1. Locate available rack units (RUs).

If you are installing the 2U rail kit, locate four available RUs (two RUs for the static rails plus two RUs for the rear restraint brackets). If you are installing the 1U rail kit, locate one RU.



---

**Caution** – To maintain rack stability, select the lowest available RUs in the rack.

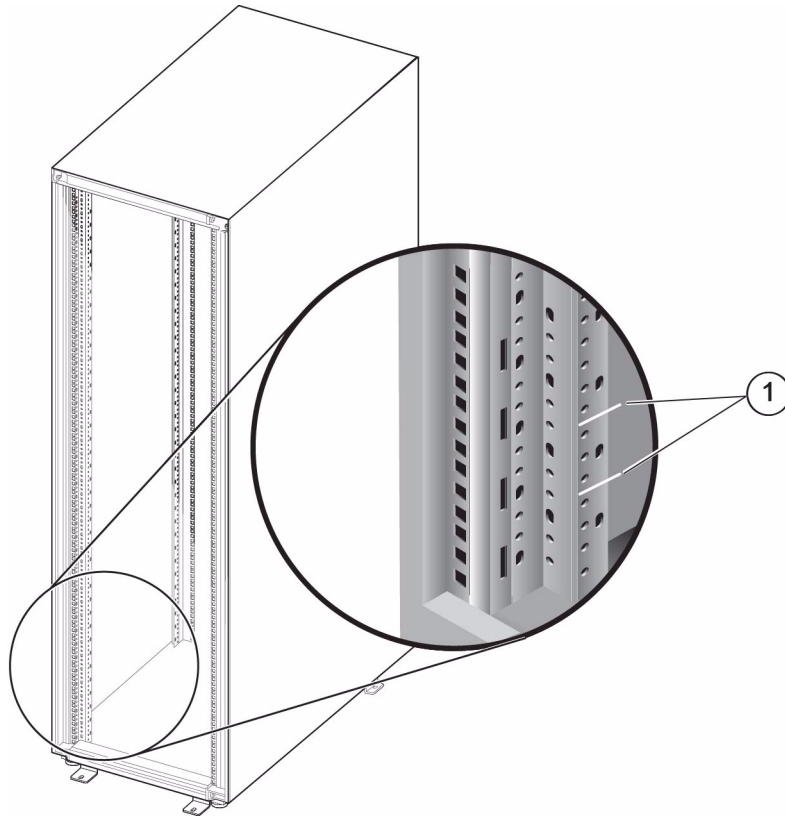
---

---

**Note** – A standard mounting rack unit equals 1.75" (44.45 cm) and consists of three mounting holes in the vertical mounting rails.

---

**FIGURE 4** Standard Mounting Rack Unit on Vertical Rail



**Figure Legend**

---

**1** One standard mounting rack unit (conforms to the EIA (RETMA) standard for mounting hole spacing)

---

**2.** Position one static rail inside the rack and hang the rail hooks in the oval slots on the front and back vertical mounting rails.

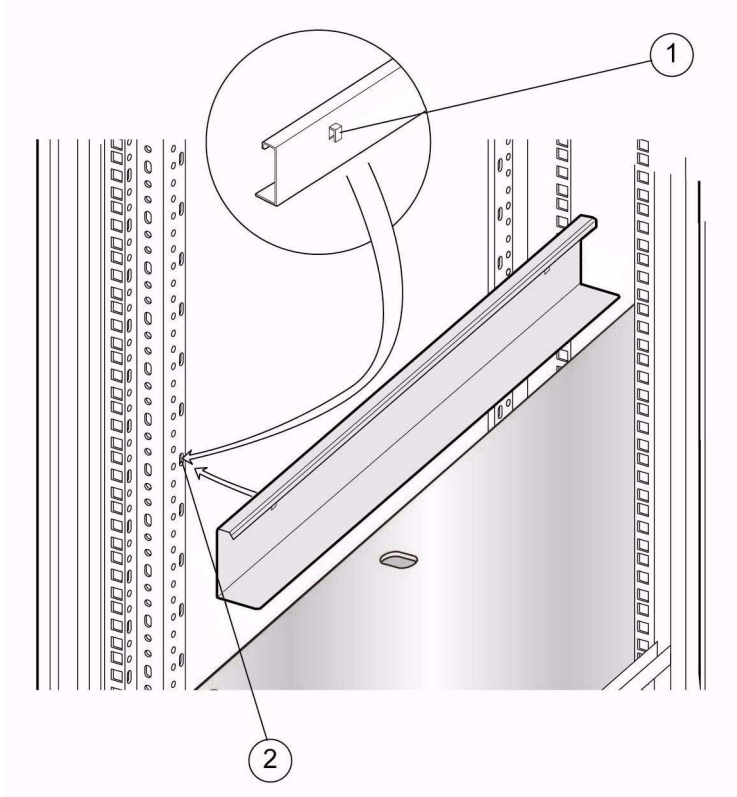
See [FIGURE 5](#) if you are installing the 2U rail kit. See [FIGURE 6](#) if you are installing the 1U rail kit.

---

**Note** – The screw holes on the static rail and vertical rail should align concentrically.

---

**FIGURE 5** Inserting the Rail Hooks Into the Vertical Mounting Rails:  
2U Modular Storage Rail Kit

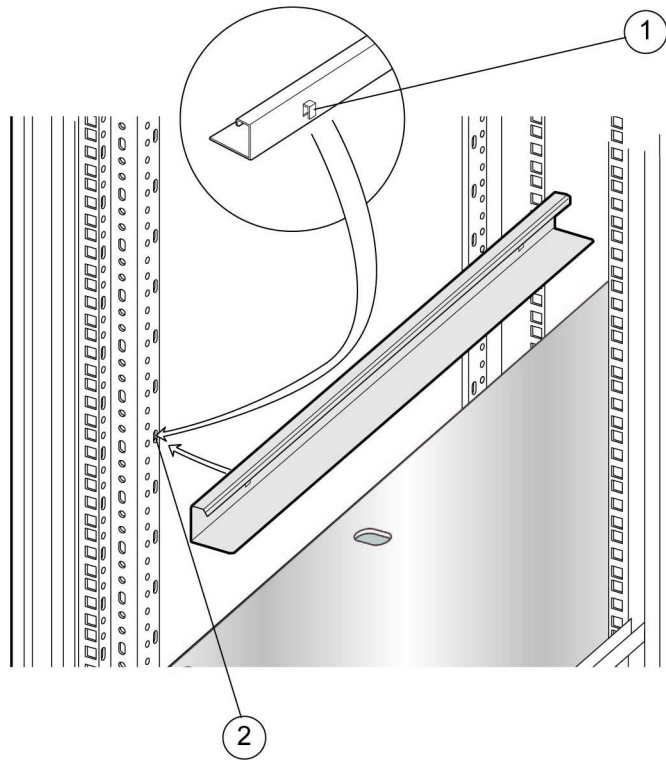


**Figure Legend**

- 1 Rail hook (one of two located on the outer edge of the rail)
- 2 Vertical mounting rail (oval) slot



**FIGURE 6** Inserting the Rail Hooks Into the Vertical Mounting Rails:  
1U Modular Storage Rail Kit



**Figure Legend**

- 
- 1 Rail hook (one of two located on the outer edge of the rail)
  - 2 Vertical mounting rail (oval) slot
- 

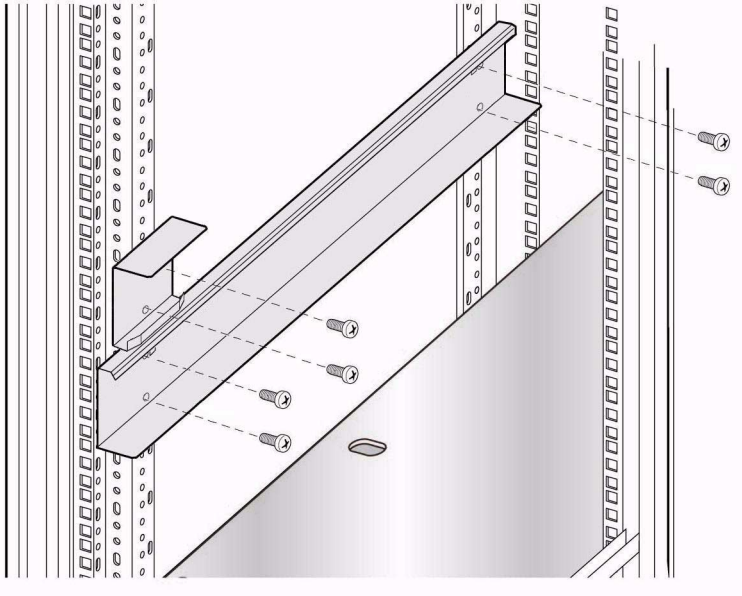
**3. Secure the rail to the rack using M6 screws. Do not tighten until [Step 6](#).**

For the 2U rail kit, each static rail uses four screws (see [FIGURE 7](#)). For the 1U rail kit, each static rail uses two screws (see [FIGURE 8](#)).

4. Secure the rear restraint bracket to the rack using M6 screws (only for 2U rail kit). Do not tighten until [Step 6](#).

Immediately adjacent to the top of the installed static rail, secure the restraint bracket at the rear of the rack. Each rear restraint bracket uses two screws. Make sure to position the bracket so that the smaller edge (with bent tabs) is closest to the static rail (see [FIGURE 7](#)).

**FIGURE 7** Securing the Static Rail and Rear Restraint Bracket Using M6 Screws:  
2U Modular Storage Rail Kit

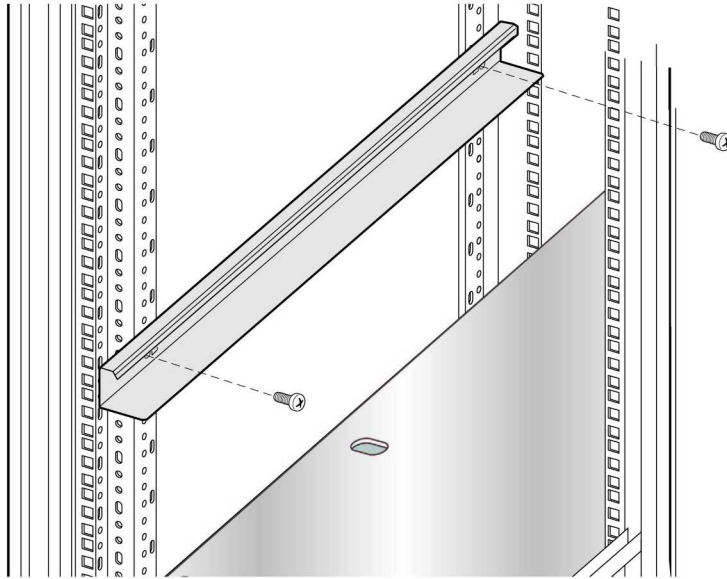


---

**Note** – When installed, the rear edge of the restraint bracket will be inset approximately 1 inch from the rear edge of the static rail.

---

**FIGURE 8** Securing the Static Rail Using M6 Screws:  
1U Modular Storage Rail Kit



5. Repeat Steps 2 through 4 to secure the other rail and bracket, as applicable.
6. Use the T30 Torx wrench or portable drill (with T30 Torx bit extension) to tighten all screws.

---

**Note** – Tighten the screws to a torque of 35 inch-pounds (4 Nm).

---

# Insert the Cage Nuts Into the Rail Holes

1. At the front of the rack, locate the vertical rail mounting holes you will use to install the array.
2. Insert a cage nut into the mounting hole:
  - a. Position the cage nut with the tabs at each side as shown in [FIGURE 9](#).

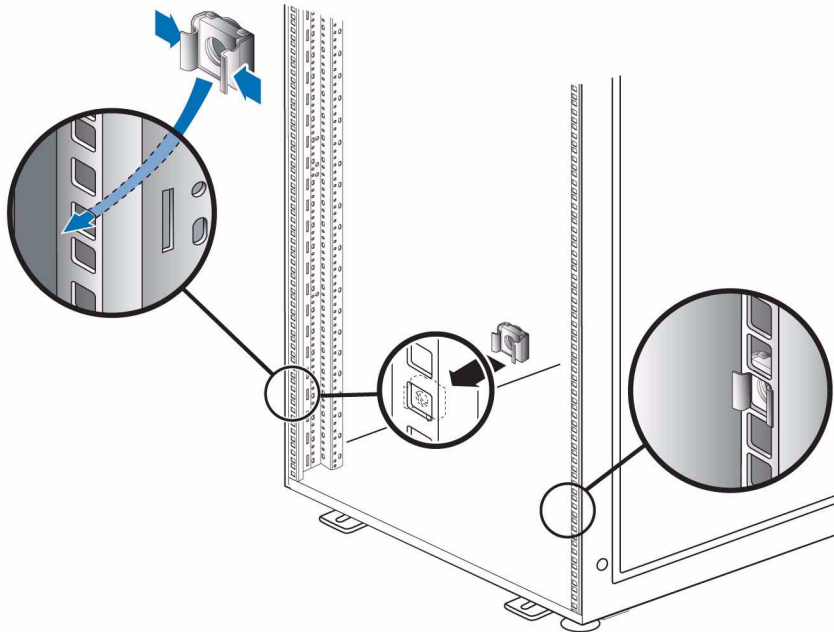
---

**Note** – Positioning the cage nut tabs horizontally allows for maximum amount of vertical movement when securing the array to the rack.

---

- b. Insert the cage nut behind the vertical rail, press it through the mounting hole, and snap it into place.

**FIGURE 9** Inserting Cage Nuts Into the Vertical Rails



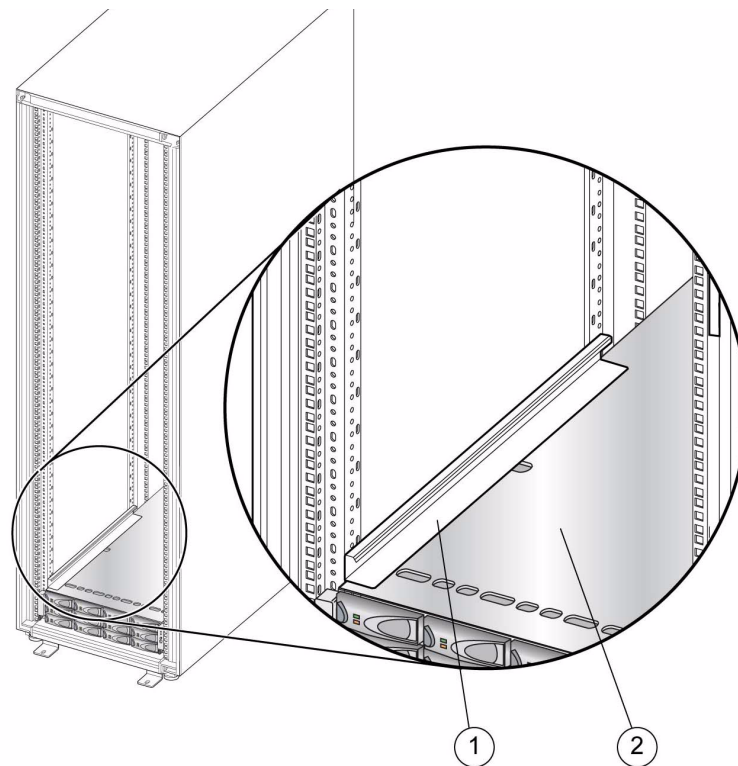
3. Repeat [Step 2](#) for the other rail.

---

# Mount the Array In the Rack

1. Refer to the Hardware Installation Guide for your array (see [“Related Documentation”](#) on page 13) for details about mounting the array and securing it to the rack.
2. After you install the tray, install a pair of static rail restraints (provided with the Sun Rack II) directly above the topmost tray in the array stack.

**FIGURE 10** Installing the Rail Restraint



**Figure Legend**

- 
- |   |                                      |
|---|--------------------------------------|
| 1 | Rail restraint installed above array |
| 2 | Array installed in rack              |
-

3. If you install a server on slide-out rails above the topmost fixed tray, invert the static rails to free up the RU space above. This requires you to:
  - a. Remove the topmost tray to allow access to the screws.
  - b. Reinstall the tray.

---

## Related Documentation

Additional documentation needed to complete installation is available at the following Sun documentation web sites:

- For Sun Storage 6180 array documentation:  
<http://docs.sun.com/app/docs/prod/6180.array#hic>
- For Sun Storage 6580 and 6780 array documentation:  
<http://docs.sun.com/app/docs/prod/6780.array#hic>
- For Sun StorageTek 6540 array documentation:  
<http://docs.sun.com/app/docs/prod/stortek.6540rohs#hic>
- For Sun StorageTek 6140 array documentation:  
<http://docs.sun.com/app/docs/prod/stortek.6140rohs#hic>
- For Sun StorageTek 2500 array family documentation:  
<http://docs.sun.com/app/docs/prod/st2500.array#hic>

For translated versions of the documentation, go to the <http://docs.sun.com> web site and select your language to get the documentation.

---

<b>Task</b>	<b>Documentation</b>
Review safety information	<i>Sun Storage Regulatory and Safety Compliance Manual</i> <i>Important Safety Information for Sun Hardware Systems</i>
Review known issues and workarounds	Release notes for your array.
Prepare the site	<i>Sun Storage 6180 Array Site Preparation Guide</i> <i>Site Preparation Guide for Sun Storage 6580 and 6780 Arrays</i> <i>Sun StorageTek 6540 Array Site Preparation Guide</i> <i>Sun StorageTek 6140 Array Site Preparation Guide</i> <i>Sun StorageTek 2500 Series Array Site Preparation Guide</i>
Install the rack	<i>Sun Rack II User's Guide</i>
Install PDUs	<i>Sun Cabinet Power Distribution Unit (PDU) Installation Guide</i>
Install the array	Hardware Installation Guide for the: Sun Storage 6180 array Sun Storage 6580 and 6780 arrays

---

---

Task	Documentation
	Sun StorageTek 6540 array
	Sun StorageTek 6140 array
	Sun StorageTek 2500 array family

---

---

## Sun Contact Information

---

Topic	URL
Technical support	<a href="http://www.sun.com/service/contacting">http://www.sun.com/service/contacting</a>
Submitting comments on this document	Click the Feedback[+] link at: <a href="http://docs.sun.com">http://docs.sun.com</a> Please include the title and part number of this document with your feedback: <i>Sun Modular Storage Rail Kit Installation Guide</i> , part number 820-5774-12
Patch and firmware updates	<a href="http://www.sun.com/support/index.jsp">http://www.sun.com/support/index.jsp</a>

---