

The Oracle logo, consisting of the word "ORACLE" in a bold, red, sans-serif font, is centered within a thin black rectangular border.

# **Oracle Product Lifecycle Analytics**

Multi-Dimensional Schema  
Data Reference Manual

v.3.3

Part Number E20561-02

May 2011

# Oracle Copyright

*Copyright © 1995, 2011, Oracle and/or its affiliates. All rights reserved.*

This software and related documentation are provided under a license agreement containing restrictions on use and disclosure and are protected by intellectual property laws. Except as expressly permitted in your license agreement or allowed by law, you may not use, copy, reproduce, translate, broadcast, modify, license, transmit, distribute, exhibit, perform, publish or display any part, in any form, or by any means. Reverse engineering, disassembly, or decompilation of this software, unless required by law for interoperability, is prohibited.

The information contained herein is subject to change without notice and is not warranted to be error-free. If you find any errors, please report them to us in writing.

If this software or related documentation is delivered to the U.S. Government or anyone licensing it on behalf of the U.S. Government, the following notice is applicable:

## U.S. GOVERNMENT RIGHTS

Programs, software, databases, and related documentation and technical data delivered to U.S. Government customers are "commercial computer software" or "commercial technical data" pursuant to the applicable Federal Acquisition Regulation and agency-specific supplemental regulations. As such, the use, duplication, disclosure, modification, and adaptation shall be subject to the restrictions and license terms set forth in the applicable Government contract, and, to the extent applicable by the terms of the Government contract, the additional rights set forth in FAR 52.227-19, Commercial Computer Software License (December 2007). Oracle USA, Inc., 500 Oracle Parkway, Redwood City, CA 94065.

This software is developed for general use in a variety of information management applications. It is not developed or intended for use in any inherently dangerous applications, including applications which may create a risk of personal injury. If you use this software in dangerous applications, then you shall be responsible to take all appropriate fail-safe, backup, redundancy and other measures to ensure the safe use of this software. Oracle Corporation and its affiliates disclaim any liability for any damages caused by use of this software in dangerous applications.

Oracle and Java are registered trademarks of Oracle Corporation and/or its affiliates. Other names may be trademarks of their respective owners.

This software and documentation may provide access to or information on content, products and services from third parties. Oracle Corporation and its affiliates are not responsible for and expressly disclaim all warranties of any kind with respect to third party content, products and services. Oracle Corporation and its affiliates will not be responsible for any loss, costs, or damages incurred due to your access to or use of third party content, products or services. The RMW product includes software developed by the Visigoth Software Society.

# CONTENTS

---

Oracle Copyright .....	ii
<b>Chapter 1.....</b>	<b>1</b>
<b>Introduction.....</b>	<b>1</b>
Acronyms.....	1
What's New in This Release.....	2
<b>Chapter 2.....</b>	<b>3</b>
<b>Oracle Product Lifecycle Analytics Data Model .....</b>	<b>3</b>
Naming Conventions for Multi-Dimensional Schema Tables .....	3
Standard Table Prefixes.....	3
Standard Table Suffixes.....	4
Standard Column Prefixes .....	4
Standard Column Suffixes.....	5
Table Types in Oracle Product Lifecycle Analytics Schema .....	5
ETL Control Entities .....	6
Fact Tables.....	6
Dimension Tables.....	8
Bridge Tables.....	34
Data Tables .....	50
Staging Tables.....	52
Materialized Views.....	52
Data Validation Rules .....	53
User Defined Extensions.....	53
Prefixes to the User Defined Columns.....	54
<b>Chapter 3.....</b>	<b>57</b>
<b>Entity-Relationship Diagrams .....</b>	<b>57</b>
Problem Reports.....	59
Non Conformance Reports.....	62
Corrective and Preventive Actions .....	64
Audit .....	67
Engineering Change Order.....	70
ECO Fact .....	70
ECO Item Fact .....	72

ECO Sign-off Fact .....	74
ECO Workflow Detail .....	75
Engineering Change Request .....	76
ECR Fact .....	76
ECR Item Fact .....	78
ECR Workflow Detail Fact .....	80
ECR Sign-off Fact .....	81
Item .....	82
Item Fact .....	82
Manufacturer Part Fact .....	85
Item Manufacturer Part Fact .....	87
Manufacturer Change Order .....	89
MCO Fact .....	89
MCO Item Fact .....	91
MCO Signoff Fact .....	93
MCO Workflow Detail Fact .....	94
Stop Ship .....	95
Stop Ship Fact .....	95
Stop Ship Item Fact .....	97
Stop Ship Signoff Fact .....	99
Stop Ship Workflow Detail Fact .....	100
PPM .....	101
PPM - Activity .....	101
PPM - Baseline .....	103
PPM - Phase Gate .....	104
PPM - Portfolio .....	106
PPM - Project Cost .....	108
PPM - Project Details .....	110
PPM - Project Summary .....	112
PPM - Project Forecast Revenue .....	113
PPM - Program .....	115
PPM - Snapshot .....	117

<b>Chapter 4.....</b>	<b>118</b>
<b>Schema Data Reference .....</b>	<b>118</b>
BI_DATA_DICTIONARY.....	119
BRIDGE_CTL .....	120
CLASS_INFO_D .....	121
CUSTOMER_D.....	122
DOC_CATEGORY_D .....	123
DOC_CONF_MGMT_1_D.....	124
DOC_CONF_MGMT_2_D.....	125
DOC_CONF_MGMT_3_B .....	126
DOC_CONF_MGMT_3_D.....	127
DOC_ERP_1_D.....	128
DOC_ERP_2_D.....	129
DOC_ERP_3_B.....	130
DOC_ERP_3_D.....	131
DOC_MANUF_1_D.....	132
DOC_MANUF_2_D.....	133
DOC_MANUF_3_B.....	134
DOC_MANUF_3_D.....	135
DOC_PROD_ENG_1_D .....	136
DOC_PROD_ENG_2_D .....	137
DOC_PROD_ENG_3_B.....	138
DOC_PROD_ENG_3_D .....	139
DOC_TYPE_D .....	140
EVENT_TYPE_D .....	141
FLAG_D .....	142
INT_ORGANIZATION_D.....	143
ITEM_ASSEMBLY_RATING_D .....	144
ITEM_CATEGORY_D .....	145
ITEM_COMMODITY_1_D.....	146
ITEM_COMMODITY_2_D.....	147
ITEM_COMMODITY_3_B.....	148
ITEM_COMMODITY_3_D.....	149
ITEM_COMMODITY_D.....	150
ITEM_COMPLIANCE_1_D.....	151
ITEM_COMPLIANCE_2_D.....	152
ITEM_COMPLIANCE_3_B.....	153
ITEM_COMPLIANCE_3_D.....	154
ITEM_COMPLIANCY_D.....	155
ITEM_COMPONENT_ENGINEER_D .....	156
ITEM_COMP_ENG_1_D.....	157
ITEM_COMP_ENG_2_D.....	158
ITEM_COMP_ENG_3_B .....	159
ITEM_COMP_ENG_3_D.....	160
ITEM_COST_RATING_D.....	161
ITEM_CUST_SUPP_1_D.....	162
ITEM_CUST_SUPP_2_D.....	163

ITEM_CUST_SUPP_3_B .....	164
ITEM_CUST_SUPP_3_D .....	165
ITEM_D .....	166
ITEM_ECRSS_F .....	167
ITEM_ERP_1_D .....	170
ITEM_ERP_2_D .....	171
ITEM_ERP_3_B .....	172
ITEM_ERP_3_D .....	173
ITEM_F .....	174
ITEM_FAILURE_MODE_D .....	181
ITEM_LIFECYCLE_RATING_D .....	182
ITEM_LIFECYCLE_STATE_D .....	183
ITEM_MFR_PART_DATA .....	184
ITEM_MFR_PART_PREFER_STATUS_D .....	185
ITEM_PART_FAMILY_D .....	186
ITEM_PERFORMANCE_RATING_D .....	187
ITEM_PRODUCTLINE_B .....	188
ITEM_PRODUCTLINE_D .....	189
ITEM_PROD_ENG_1_D .....	190
ITEM_PROD_ENG_2_D .....	191
ITEM_PROD_ENG_3_B .....	192
ITEM_PROD_ENG_3_D .....	193
ITEM_RELIABILITY_RATING_D .....	194
ITEM_REV_D .....	195
ITEM_SIZE_D .....	196
ITEM_SUPPLIER_B .....	197
ITEM_TLA_D .....	198
ITEM_TYPE_D .....	199
MANUFACTURER_D .....	200
MDS_LISTDIM_CTL .....	201
MFR_COMPLIANCE_D .....	202
MFR_COUNTRY_D .....	203
MFR_LIFECYCLE_PHASE_D .....	204
MFR_LOCATION_D .....	205
MFR_PART_ASSEMBLY_RATE_D .....	206
MFR_PART_COMMODITY_1_D .....	207
MFR_PART_COMMODITY_2_D .....	208
MFR_PART_COMMODITY_3_B .....	209
MFR_PART_COMMODITY_3_D .....	210
MFR_PART_COMPLIANCE_1_D .....	211
MFR_PART_COMPLIANCE_2_D .....	212
MFR_PART_COMPLIANCE_3_B .....	213
MFR_PART_COMPLIANCE_3_D .....	214
MFR_PART_COMPLIANCE_D .....	215
MFR_PART_COMP_ENG_1_D .....	216
MFR_PART_COMP_ENG_2_D .....	217
MFR_PART_COMP_ENG_3_B .....	218
MFR_PART_COMP_ENG_3_D .....	219
MFR_PART_COMP_ENG_D .....	220

MFR_PART_COST_RATE_D .....	221
MFR_PART_F .....	222
MFR_PART_LIFECYCLE_PHASE_D .....	226
MFR_PART_LIFECYCLE_RATE_D .....	227
MFR_PART_PARTFAMILY_D .....	228
MFR_PART_PERF_RATE_D .....	229
MFR_PART_RELIABILITY_RATE_D .....	230
MFR_PART_SUPPLIER_B .....	231
MFR_PART_TYPE_D .....	232
MFR_QMS_STANDARD_B .....	233
MFR_QMS_STANDARD_D .....	234
MFR_REGION_B .....	235
MFR_REGION_D .....	236
MFR_SIZE_D .....	237
MFR_STATE_D .....	238
MFR_TYPE_D .....	239
PC_CUSTOMER_D .....	240
PC_ECO_CATEGORY_D .....	241
PC_ECO_CUSTOMER_B .....	242
PC_ECO_F .....	243
PC_ECO_FIELD_D .....	247
PC_ECO_FINISHEDGOODS_D .....	248
PC_ECO_FUNCTION_D .....	249
PC_ECO_ITEM_DATA .....	250
PC_ECO_ITEM_PRODUCTLINE_B .....	253
PC_ECO_MANUF_OWNER_B .....	254
PC_ECO_MFRLOCIMPACT_B .....	255
PC_ECO_MFRLOCIMPACT_D .....	256
PC_ECO_ONORDER_D .....	257
PC_ECO_PRGTASK_B .....	258
PC_ECO_PRGTASK_D .....	259
PC_ECO_PRIORITY_D .....	260
PC_ECO_PRODUCTLINE_B .....	261
PC_ECO_PROGRAM_B .....	262
PC_ECO_PROGRAM_D .....	263
PC_ECO_QUALITY_OWNER_B .....	264
PC_ECO_REASON_CODE_D .....	265
PC_ECO_REGTYPE_D .....	266
PC_ECO_SALESREGIMPACT_B .....	267
PC_ECO_SALESREGIMPACT_D .....	268
PC_ECO_SC_OWNER_B .....	269
PC_ECO_SEVFINIMPACT_D .....	270
PC_ECO_SIGNOFF_B .....	271
PC_ECO_SIGNOFF_DATA .....	272
PC_ECO_STOCK_D .....	273
PC_ECO_SUPPLIER_B .....	274
PC_ECO_TYPE_D .....	275
PC_ECO_WIP_D .....	276
PC_ECO_WORKFLOW_D .....	277

PC_ECO_WORKFLOW_DETAIL_DATA .....	278
PC_ECR_CATEGORY_D .....	279
PC_ECR_CUSTOMER_B .....	280
PC_ECR_F .....	281
PC_ECR_FIELD_D .....	285
PC_ECR_FINISHEDGOODS_D .....	286
PC_ECR_FUNCTION_D .....	287
PC_ECR_IDEA_TYPE_D .....	288
PC_ECR_ITEM_DATA .....	289
PC_ECR_ITEM_PRODUCTLINE_B .....	292
PC_ECR_MANUF_OWNER_B .....	293
PC_ECR_MFRLOCIMPACT_B .....	294
PC_ECR_MFRLOCIMPACT_D .....	295
PC_ECR_ONORDER_D .....	296
PC_ECR_PRGTASK_B .....	297
PC_ECR_PRGTASK_D .....	298
PC_ECR_PRIORITY_D .....	299
PC_ECR_PRODUCTLINE_B .....	300
PC_ECR_PROGRAM_B .....	301
PC_ECR_PROGRAM_D .....	302
PC_ECR_QUALITY_OWNER_B .....	303
PC_ECR_REASON_CODE_D .....	304
PC_ECR_REGTYPE_D .....	305
PC_ECR_REQ_PART_TYPE_D .....	306
PC_ECR_SALESREGIMPACT_B .....	307
PC_ECR_SALESREGIMPACT_D .....	308
PC_ECR_SC_OWNER_B .....	309
PC_ECR_SEVFINIMPACT_D .....	310
PC_ECR_SIGNOFF_B .....	311
PC_ECR_SIGNOFF_DATA .....	312
PC_ECR_STOCK_D .....	313
PC_ECR_SUPPLIER_B .....	314
PC_ECR_TYPE_D .....	315
PC_ECR_WIP_D .....	316
PC_ECR_WORKFLOW_D .....	317
PC_ECR_WORKFLOW_DETAIL_DATA .....	318
PC_LOCATION_D .....	319
PC_MCO_CATEGORY_D .....	320
PC_MCO_CUSTOMER_B .....	321
PC_MCO_F .....	322
PC_MCO_FIELD_D .....	326
PC_MCO_FINISHEDGOODS_D .....	327
PC_MCO_FUNCTION_D .....	328
PC_MCO_ITEM_DATA .....	329
PC_MCO_ITEM_PRODUCTLINE_B .....	332
PC_MCO_MANUF_OWNER_B .....	333
PC_MCO_MFRLOCIMPACT_B .....	334
PC_MCO_MFRLOCIMPACT_D .....	335
PC_MCO_ONORDER_D .....	336

PC_MCO_PRGTASK_B.....	337
PC_MCO_PRGTASK_D.....	338
PC_MCO_PRIORITY_D.....	339
PC_MCO_PRODUCTLINE_B.....	340
PC_MCO_PROGRAM_B.....	341
PC_MCO_PROGRAM_D.....	342
PC_MCO_QUALITY_OWNER_B.....	343
PC_MCO_REASON_CODE_D.....	344
PC_MCO_REGTYPE_D.....	345
PC_MCO_SALESREGIMPACT_B.....	346
PC_MCO_SALESREGIMPACT_D.....	347
PC_MCO_SC_OWNER_B.....	348
PC_MCO_SEVFINIMPACT_D.....	349
PC_MCO_SIGNOFF_B.....	350
PC_MCO_SIGNOFF_DATA.....	351
PC_MCO_STOCK_D.....	352
PC_MCO_SUPPLIER_B.....	353
PC_MCO_TYPE_D.....	354
PC_MCO_WIP_D.....	355
PC_MCO_WORKFLOW_D.....	356
PC_MCO_WORKFLOW_DETAIL_DATA.....	357
PC_PRODUCTLINE_D.....	358
PC_SS_CATEGORY_D.....	359
PC_SS_CUSTOMER_B.....	360
PC_SS_F.....	361
PC_SS_FIELD_D.....	365
PC_SS_FINISHEDGOODS_D.....	366
PC_SS_FUNCTION_D.....	367
PC_SS_ITEM_DATA.....	368
PC_SS_ITEM_PRODUCTLINE_B.....	371
PC_SS_MANUF_OWNER_B.....	372
PC_SS_MFRLOCIMPACT_B.....	373
PC_SS_MFRLOCIMPACT_D.....	374
PC_SS_ONORDER_D.....	375
PC_SS_PRGTASK_B.....	376
PC_SS_PRGTASK_D.....	377
PC_SS_PRIORITY_D.....	378
PC_SS_PRODUCTLINE_B.....	379
PC_SS_PROGRAM_B.....	380
PC_SS_PROGRAM_D.....	381
PC_SS_QUALITY_OWNER_B.....	382
PC_SS_REASON_CODE_D.....	383
PC_SS_REGTYPE_D.....	384
PC_SS_SALESREGIMPACT_B.....	385
PC_SS_SALESREGIMPACT_D.....	386
PC_SS_SC_OWNER_B.....	387
PC_SS_SEVFINIMPACT_D.....	388
PC_SS_SIGNOFF_B.....	389
PC_SS_SIGNOFF_DATA.....	390

PC_SS_STOCK_D.....	391
PC_SS_SUPPLIER_B.....	392
PC_SS_TYPE_D.....	393
PC_SS_WIP_D.....	394
PC_SS_WORKFLOW_D.....	395
PC_SS_WORKFLOW_DETAIL_DATA.....	396
PC_SUPPLIER_D.....	397
PLM_ACTIVITY_OWNER_B.....	398
PLM_ACTIVITY_TPL_OWNER_B.....	399
PLM_ACT_STEP_NOTIFIER_B.....	400
PLM_ACT_STEP_OWNER_B.....	401
PLM_ACT_STEP_SIGNATORY_B.....	402
PLM_BASIS_D.....	403
PLM_BRAND_D.....	404
PLM_CATEGORY_D.....	405
PLM_CHANNEL_D.....	406
PLM_DEMOGRAPH_D.....	407
PLM_FSCLYR_D.....	408
PLM_FUNC_AREA_D.....	409
PLM_GATE_SIGNATORY_B.....	410
PLM_GLOBAL_CAT_D.....	411
PLM_ISP_TITLE_D.....	412
PLM_LANG_DATA.....	413
PLM_LANG_LOOKUP.....	414
PLM_LEAD_CNTRY_D.....	415
PLM_METRIC_PHASE_D.....	416
PLM_PHASE_FUNC_AREA_B.....	417
PLM_PHASE_GATE_KEEPER_B.....	418
PLM_PHASE_REVIEWER_B.....	419
PLM_PHASE_TEAM_LEADER_B.....	420
PLM_PHASE_TEAM_MEM_B.....	421
PLM_PRJ_BRAND_B.....	422
PLM_PRJ_BUS_UNIT_B.....	423
PLM_PRJ_CHANNEL_B.....	424
PLM_PRJ_DEMOGRAPH_B.....	425
PLM_PRJ_FUNC_AREA_B.....	426
PLM_PRJ_GATE_KEEPER_B.....	427
PLM_PRJ_GLOBAL_CAT_B.....	428
PLM_PRJ_ISP_B.....	429
PLM_PRJ_LEAD_CNTRY_B.....	430
PLM_PRJ_METRICS_F.....	431
PLM_PRJ_REVIEWER_B.....	432
PLM_PRJ_STRAT_BRIEF_B.....	433
PLM_PRJ_TEAM_LEADER_B.....	434
PLM_PRJ_TEAM_MEM_B.....	435
PLM_PRJ_TRADE_SPEC_B.....	436
PLM_PRJ_TYPE_B.....	437
PLM_PRJ_TYPE_D.....	438
PLM_PRJ_VISIBILITY_B.....	439

---

PLM_PRJ_VISIBILITY_D.....	440
PLM_SPEC_BUS_UNIT_B.....	441
PLM_SPEC_BUS_UNIT_D.....	442
PLM_SPEC_CLASSIFY_B.....	443
PLM_SPEC_CLASSIFY_D.....	444
PLM_SPEC_CNTRY_ORIGIN_B.....	445
PLM_SPEC_CNTRY_ORIGIN_D.....	446
PLM_SPEC_D.....	447
PLM_SPEC_F.....	449
PLM_SPEC_LANG_B.....	450
PLM_SPEC_LANG_D.....	451
PLM_SPEC_MAT_TYPE_B.....	452
PLM_SPEC_MAT_TYPE_D.....	453
PLM_SPEC_MENU_CLASS_B.....	454
PLM_SPEC_MENU_CLASS_D.....	455
PLM_SPEC_SHIP_COND_B.....	456
PLM_SPEC_SHIP_COND_D.....	457
PLM_SPEC_SHIP_REQ_B.....	458
PLM_SPEC_SHIP_REQ_D.....	459
PLM_SPEC_SPCL_ATTR_B.....	460
PLM_SPEC_SPCL_ATTR_D.....	461
PLM_SPEC_STEP_D.....	462
PLM_SPEC_STEP_OWNER_B.....	463
PLM_SPEC_STOR_REQ_B.....	464
PLM_SPEC_STOR_REQ_D.....	465
PLM_SPEC_SUB_RECT_B.....	466
PLM_SPEC_SUB_RECT_D.....	467
PLM_SPEC_SYS_EQUIVALENT_B.....	468
PLM_SPEC_SYS_EQUIVALENT_D.....	469
PLM_SPEC_TAXONOMY_D.....	470
PLM_SPEC_TYPE_D.....	471
PLM_SPEC_WKFLW_F.....	472
PLM_STRAT_BRIEF_D.....	473
PPM_ACTIVITY_D.....	474
PPM_ACTIVITY_DEL_F.....	476
PPM_ACTIVITY_DEL_FS.....	478
PPM_ACTIVITY_DOMAINS.....	479
PPM_ACTIVITY_F.....	480
PPM_ACTIVITY_FS.....	484
PPM_ACTIVITY_PLM_REFERENCE_B.....	488
PPM_ACTIVITY_WKFLW_D.....	489
PPM_ACT_DEPACT_B.....	490
PPM_ACT_PROGRAMS_B.....	491
PPM_BASELINE_D.....	492
PPM_BASELINE_F.....	494
PPM_BUS_UNIT_D.....	496
PPM_CATEGORY10_B.....	497
PPM_CATEGORY10_D.....	498
PPM_CATEGORY11_B.....	499

PPM_CATEGORY11_D .....	500
PPM_CATEGORY12_B .....	501
PPM_CATEGORY12_D .....	502
PPM_CATEGORY13_B .....	503
PPM_CATEGORY13_D .....	504
PPM_CATEGORY14_B .....	505
PPM_CATEGORY14_D .....	506
PPM_CATEGORY15_B .....	507
PPM_CATEGORY15_D .....	508
PPM_CATEGORY16_B .....	509
PPM_CATEGORY16_D .....	510
PPM_CATEGORY17_B .....	511
PPM_CATEGORY17_D .....	512
PPM_CATEGORY18_B .....	513
PPM_CATEGORY18_D .....	514
PPM_CATEGORY19_B .....	515
PPM_CATEGORY19_D .....	516
PPM_CATEGORY20_B .....	517
PPM_CATEGORY20_D .....	518
PPM_CATEGORY21_B .....	519
PPM_CATEGORY21_D .....	520
PPM_CATEGORY22_B .....	521
PPM_CATEGORY22_D .....	522
PPM_CATEGORY23_B .....	523
PPM_CATEGORY23_D .....	524
PPM_CATEGORY24_B .....	525
PPM_CATEGORY24_D .....	526
PPM_CATEGORY7_B .....	527
PPM_CATEGORY7_D .....	528
PPM_CATEGORY8_B .....	529
PPM_CATEGORY8_D .....	530
PPM_CATEGORY9_B .....	531
PPM_CATEGORY9_D .....	532
PPM_CUSTOMER_B .....	533
PPM_CUSTOMER_D .....	534
PPM_DELIVERABLE_D .....	535
PPM_DEL_TAG_B .....	536
PPM_DEL_TAG_D .....	537
PPM_DIVISION_B .....	538
PPM_DIVISION_D .....	539
PPM_FUNC_AREA_B .....	540
PPM_FUNC_AREA_D .....	541
PPM_GATE_D .....	542
PPM_INT_ORGANIZATION_B .....	544
PPM_ITEM_B .....	545
PPM_LAUNCH_YEAR_B .....	546
PPM_LAUNCH_YEAR_D .....	547
PPM_LOCATION_B .....	548
PPM_LOCATION_D .....	549

PPM_PHASE_D.....	550
PPM_PHASE_GATE_F.....	552
PPM_PHASE_GATE_SIGNOFF_F.....	555
PPM_PHASE_WORKFLOW_D.....	556
PPM_PORTFOLIO_D.....	557
PPM_PORTFOLIO_F.....	559
PPM_PRD_DEMAND_F.....	560
PPM_PRD_DEMAND_TMP.....	561
PPM_PRD_INV_QTY_F.....	562
PPM_PRD_INV_QTY_TMP.....	563
PPM_PRD_INV_VALUE_F.....	564
PPM_PRD_INV_VALUE_TMP.....	565
PPM_PRD_REVENUE_F.....	566
PPM_PRD_REVENUE_TMP.....	567
PPM_PRD_UNIT_REC_F.....	568
PPM_PRD_UNIT_REC_TMP.....	569
PPM_PRD_UNIT_SHIP_F.....	570
PPM_PRD_UNIT_SHIP_TMP.....	571
PPM_PRJ_COST_F.....	572
PPM_PRJ_COST_TMP.....	573
PPM_PRJ_DET_SIGNOFF_F.....	574
PPM_PRJ_DET_WKFLW_F.....	575
PPM_PRJ_FORE_REV_F.....	576
PPM_PRJ_FORE_REV_TMP.....	577
PPM_PRJ_PH_MET_FLG.....	578
PPM_PRJ_SUM_F.....	579
PPM_PRODUCT_LINE_B.....	586
PPM_PRODUCT_LINE_D.....	587
PPM_PROGRAM_D.....	588
PPM_PROGRAM_F.....	590
PPM_PROJECT_D.....	591
PPM_PROJECT_PORTFOLIO_B.....	593
PPM_PROJECT_PROGRAM_B.....	594
PPM_PROJECT_TYPE_B.....	595
PPM_PROJECT_TYPE_D.....	596
PPM_PROJECT_WORKFLOW_D.....	597
PPM_REGION_B.....	598
PPM_REGION_D.....	599
PPM_ROOT_PROGRAM_D.....	600
PPM_SNAPSHOT_F.....	601
PQM_AUDIT_CATEGORY_D.....	603
PQM_AUDIT_CUSTOMER_B.....	604
PQM_AUDIT_DEPARTMENT_D.....	605
PQM_AUDIT_DOC_AUDITED_B.....	606
PQM_AUDIT_DOC_AUDITED_D.....	607
PQM_AUDIT_EXTRNL_AGENCY_D.....	608
PQM_AUDIT_F.....	609
PQM_AUDIT_FINDING_TYPE_B.....	613
PQM_AUDIT_FINDING_TYPE_D.....	614

PQM_AUDIT_FORM_D.....	615
PQM_AUDIT_ITEM_DATA.....	616
PQM_AUDIT_ITEM_PRODUCTLINE_B.....	617
PQM_AUDIT_LOCATION_D.....	618
PQM_AUDIT_MANUAL_SECTION_D.....	619
PQM_AUDIT_PRD_AUDITED_B.....	620
PQM_AUDIT_PRD_AUDITED_D.....	621
PQM_AUDIT_PRG_B.....	622
PQM_AUDIT_PRG_D.....	623
PQM_AUDIT_PRIORITY_D.....	624
PQM_AUDIT_PROCESS_AUDITED_B.....	625
PQM_AUDIT_PROCESS_AUDITED_D.....	626
PQM_AUDIT_PRODUCTLINE_B.....	627
PQM_AUDIT_RESULT_D.....	628
PQM_AUDIT_STANDARD_D.....	629
PQM_AUDIT_SUPPLIER_B.....	630
PQM_AUDIT_TYPE_D.....	631
PQM_AUDIT_WORKFLOW_D.....	632
PQM_AUDIT_WORKFLOW_DETAIL_DATA.....	633
PQM_CAPA_BUSINESS_RISK_D.....	634
PQM_CAPA_CATEGORY_D.....	635
PQM_CAPA_CORRECTIVE_ACTION_D.....	636
PQM_CAPA_CUSTOMER_B.....	637
PQM_CAPA_F.....	638
PQM_CAPA_FUNCTION_B.....	642
PQM_CAPA_FUNCTION_D.....	643
PQM_CAPA_ITEM_DATA.....	644
PQM_CAPA_ITEM_PRODUCTLINE_B.....	645
PQM_CAPA_LOCATION_D.....	646
PQM_CAPA_PRBL_SOL_METHOD_D.....	647
PQM_CAPA_PREVENTIVE_ACTION_D.....	648
PQM_CAPA_PRIORITY_D.....	649
PQM_CAPA_PRODUCTLINE_B.....	650
PQM_CAPA_QMS_SECTION_B.....	651
PQM_CAPA_QMS_SECTION_D.....	652
PQM_CAPA_QMS_STANDARD_B.....	653
PQM_CAPA_QMS_STANDARD_D.....	654
PQM_CAPA_REG_RISK_D.....	655
PQM_CAPA_ROOT_CAUSE_D.....	656
PQM_CAPA_SUPPLIER_B.....	657
PQM_CAPA_TEAM_B.....	658
PQM_CAPA_TEAM_D.....	659
PQM_CAPA_TYPE_D.....	660
PQM_CAPA_WORKFLOW_D.....	661
PQM_CAPA_WORKFLOW_DETAIL_DATA.....	662
PQM_LOCATION_D.....	663
PQM_NCR_CATEGORY_D.....	664
PQM_NCR_CAUSE_D.....	665
PQM_NCR_CUSTOMER_B.....	666

PQM_NCR_DOC_B .....	667
PQM_NCR_DOC_D .....	668
PQM_NCR_F .....	669
PQM_NCR_FUNC_AREA_B .....	673
PQM_NCR_FUNC_AREA_D .....	674
PQM_NCR_INSPECTION_TYPE_D .....	675
PQM_NCR_ITEM_DATA .....	676
PQM_NCR_ITEM_PRODUCTLINE_B .....	679
PQM_NCR_MTRL_REVIEW_D .....	680
PQM_NCR_PRG_TASK_B .....	681
PQM_NCR_PRG_TASK_D .....	682
PQM_NCR_PRIORITY_D .....	683
PQM_NCR_PROBLEM_TYPE_D .....	684
PQM_NCR_PRODUCTLINE_B .....	685
PQM_NCR_PROGRAM_RELEASE_D .....	686
PQM_NCR_QMS_B .....	687
PQM_NCR_QMS_D .....	688
PQM_NCR_QMS_SECTION_D .....	689
PQM_NCR_REASON_CODE_D .....	690
PQM_NCR_RESOLUTION_D .....	691
PQM_NCR_RPT_FAILURE_TYPE_D .....	692
PQM_NCR_SEVERITY_D .....	693
PQM_NCR_SOURCE_D .....	694
PQM_NCR_SUPPLIER_B .....	695
PQM_NCR_SUSP_FAILURE_TYPE_D .....	696
PQM_NCR_TYPE_D .....	697
PQM_NCR_WORKFLOW_D .....	698
PQM_NCR_WORKFLOW_DETAIL_DATA .....	699
PQM_PRODUCTLINE_D .....	700
PQM_PR_CALLER_TYPE_D .....	701
PQM_PR_CATEGORY_D .....	702
PQM_PR_CONTACT_MODE_D .....	703
PQM_PR_CUSTOMER_B .....	704
PQM_PR_DESIGN_OWNER_B .....	705
PQM_PR_DOC_B .....	706
PQM_PR_DOC_D .....	707
PQM_PR_F .....	708
PQM_PR_FUNC_AREA_B .....	712
PQM_PR_FUNC_AREA_D .....	713
PQM_PR_ITEM_DATA .....	714
PQM_PR_ITEM_FAILURE_TYPE_B .....	716
PQM_PR_ITEM_FAILURE_TYPE_D .....	717
PQM_PR_ITEM_FAIL_CAUSE_1_B .....	718
PQM_PR_ITEM_FAIL_CAUSE_1_D .....	719
PQM_PR_ITEM_FAIL_CAUSE_2_B .....	720
PQM_PR_ITEM_FAIL_CAUSE_2_D .....	721
PQM_PR_ITEM_FAIL_CAUSE_3_B .....	722
PQM_PR_ITEM_FAIL_CAUSE_3_D .....	723
PQM_PR_ITEM_FAIL_MFR_PART_D .....	724

PQM_PR_ITEM_PRODUCTLINE_B.....	725
PQM_PR_ITEM_RPT_FAILURE_D.....	726
PQM_PR_ITEM_TLA_D.....	727
PQM_PR_PRBL_REPD_D.....	728
PQM_PR_PRG_D.....	729
PQM_PR_PRG_TASK_B.....	730
PQM_PR_PRG_TASK_D.....	731
PQM_PR_PRIORITY_D.....	732
PQM_PR_PROBLEM_TYPE_D.....	733
PQM_PR_PRODUCTLINE_B.....	734
PQM_PR_QMS_B.....	735
PQM_PR_QMS_D.....	736
PQM_PR_REASON_CODE_D.....	737
PQM_PR_REG_RPT_TYPE_D.....	738
PQM_PR_RESOLUTION_D.....	739
PQM_PR_RPT_FAILURE_TYPE_D.....	740
PQM_PR_SALES_REGION_D.....	741
PQM_PR_SEVERITY_D.....	742
PQM_PR_SUPPLIER_B.....	743
PQM_PR_SUSP_FAILURE_TYPE_D.....	744
PQM_PR_TYPE_D.....	745
PQM_PR_WORKFLOW_D.....	746
PQM_PR_WORKFLOW_DETAIL_DATA.....	747
REVISION_CHANGE_TYPE_D.....	748
SITE_D.....	749
SUPPLIER_D.....	750
USER_D.....	751
USER_PRODUCTLINE_B.....	753
USER_SIGNOFF_TYPE_D.....	754
USER_USER_GROUP_B.....	755
W_DAY_D.....	756
W_LOCALIZED_STRING_G.....	758
W_LOCALIZED_STRING_GS.....	759

# Preface

Oracle's Agile PLM documentation set includes Adobe® Acrobat PDF files. The [Oracle Technology Network \(OTN\) Web site](http://www.oracle.com/technetwork/documentation/agile-085940.html) <http://www.oracle.com/technetwork/documentation/agile-085940.html> contains the latest versions of the Agile PLM PDF files. You can view or download these manuals from the Web site, or you can ask your Agile administrator if there is an Agile PLM Documentation folder available on your network from which you can access the Agile PLM documentation (PDF) files.

---

**Note** To read the PDF files, you must use the free Adobe Acrobat Reader version 9.0 or later. This program can be downloaded from the [Adobe Web site](http://www.adobe.com) <http://www.adobe.com>.

---

The [Oracle Technology Network \(OTN\) Web site](http://www.oracle.com/technetwork/documentation/agile-085940.html) <http://www.oracle.com/technetwork/documentation/agile-085940.html> can be accessed through **Help > Manuals** in both Agile Web Client and Agile Java Client. If you need additional assistance or information, please contact My Oracle Support (<https://support.oracle.com>) for assistance.

---

**Note** Before calling Oracle Support about a problem with an Agile PLM manual, please have the full part number, which is located on the title page.

---

## TTY Access to Oracle Support Services

Oracle provides dedicated Text Telephone (TTY) access to Oracle Support Services within the United States of America 24 hours a day, 7 days a week. For TTY support, call 800.446.2398. Outside the United States, call +1.407.458.2479.

## Readme

Any last-minute information about Agile PLM can be found in the Readme file on the [Oracle Technology Network \(OTN\) Web site](http://www.oracle.com/technetwork/documentation/agile-085940.html) <http://www.oracle.com/technetwork/documentation/agile-085940.html>.

## Agile Training Aids

Go to the [Oracle University Web page](http://www.oracle.com/education/chooser/selectcountry_new.html) [http://www.oracle.com/education/chooser/selectcountry\\_new.html](http://www.oracle.com/education/chooser/selectcountry_new.html) for more information on Agile Training offerings.

## Accessibility of Code Examples in Documentation

Screen readers may not always correctly read the code examples in this document. The conventions for writing code require that closing braces should appear on an otherwise empty line; however, some screen readers may not always read a line of text that consists solely of a bracket or brace.

This documentation may contain links to Web sites of other companies or organizations that Oracle does not own or control. Oracle neither evaluates nor makes any representations regarding the accessibility of these Web sites.



## Introduction

### This chapter includes the following:

---

- Acronyms..... 1
- What's New in This Release..... 2

This manual describes the data model entities of the Published Model of Oracle Product Lifecycle Analytics Multi-Dimensional Schema (MDS). This document addresses advanced database developers who extend and customize the MDS data model to build custom solutions based on the prepackaged dashboards and reports within the Oracle Product Lifecycle Analytics application.

---

**Note** The schema reference provided with the product may change in future releases. Any customized solution provided on the basis of this reference manual is not supported and you may need to make appropriate changes in future releases.

---

## Acronyms

Acronym	Expansion
BI	Business Intelligence
CAPA	Corrective and Preventive Action
DB	Data Base
ECO	Engineering Change Order
ECR	Engineering Change Request
ETL	Extract-Transform-Load
FK	Foreign Key
MCO	Manufacturing Change Order
MDS	Multi-Dimensional Schema
NCR	Non-Conformance Report
OBIEE	Oracle Business Intelligence Enterprise Edition
ODI	Oracle Data Integrator
PC	Product Collaboration
PLM	Product Lifecycle Management
PPM	Product Portfolio Management

<b>Acronym</b>	<b>Expansion</b>
PQM	Product Quality Management
PR	Problem Report
PSR	Problem Service Request
SS	Stop Ship

## What's New in This Release

This guide includes the following changes:

- Agile PLM for Process has been added as a data source in this release in addition to Agile PLM, so that Oracle PLA can be deployed with either Agile PLM or Agile PLM for Process (but not both at the same time).
- The section Naming Conventions for Oracle Agile PLM BI Tables was modified with prefixes and suffixes for some of PPM source tables.
- New tables are added to support for PLM for Process source.

# Oracle Product Lifecycle Analytics Data Model

**This chapter includes the following:**

---

- Naming Conventions for Multi-Dimensional Schema Tables..... 3
- Table Types in Oracle Product Lifecycle Analytics Schema..... 5

This chapter includes information on the types of tables and columns in the Oracle Product Lifecycle Analytics schema, and the naming conventions used.

## Naming Conventions for Multi-Dimensional Schema Tables

Oracle Product Lifecycle Analytics Multi-Dimensional Schema (MDS) table names follow a three-part naming convention - PREFIX\_NAME\_SUFFIX.

### Standard Table Prefixes

The prefix indicates the part of the Oracle Product Lifecycle Analytics Multi-Dimensional Schema to which a table belongs.

Prefix	Description
DOC_	Dimension tables conforming across Fact tables in the Item Subject Area.
ITEM_	Dimension tables conforming across Fact tables in the Item Subject Area.
MDS_	Temporary tables in the MDS.
MFR_PART	Dimension or bridge tables conforming across fact tables in the Manufacturer Part Subject Area.
PC_	Fact tables or conforming dimension tables within the Product Collaboration (PC) module.
PC_ECO_	Fact or Conforming dimension tables within the ECO Subject Area in the PC module. Other subject areas: ECR,MCO, and SS.
PLM_	Common Tables for all Modules
PLM_LANG_	Tables that store localization data.
PPM_	Fact tables or conforming dimension tables within the Product Portfolio Management (PPM) module.

Prefix	Description
PQM_	Fact tables or conforming dimension tables within the Product Quality Management (PQM) module.
PQM_PR_	Fact or Conforming dimension tables within the PR Subject Area in PQM module. Other subject areas: NCR, CAPA and AUDIT.
USRDEF_	User-defined dimension tables or Bridge tables.
ETL_	ETL Control Tables
W_LOCALIZED_	For Localization Data

## Standard Table Suffixes

The suffix indicates the type of the table in the Oracle Product Lifecycle Analytics Multi-Dimensional Schema.

Suffix	Description
_B	Bridge tables that resolve multi-list attribute data.
_CTL	Control tables.
_D	Dimension table with extended columns.
_DATA	Data Table that holds details of the Workflow and Sign-off.
_F	Fact table.
_TEMP or _TMP	These are reserved temporary tables used by the ETL process, internally. <b>Note</b> Do not alter or delete these tables.

## Standard Column Prefixes

Prefix	Value
USRDEF_	User defined columns in Fact or Dimension tables.
PPM_	Dimension FKs for conforming dimensions within PPM module.
PPM_ACTIVITY_	Conforming dimension FKs within Activities and Gates in PPM module.
PF_	Dimension FKs in PPM Portfolio columns.
PRG_	Dimension FKs in PPM Program columns.
PRJ_	Dimension FKs in PPM Project columns.
PH_	Dimension FKs in PPM Phase columns.
GATE_	Dimension FKs in PPM Gate columns.
PQM_	Dimension FKs for conforming dimensions within PQM module.

Prefix	Value
PQM_PR_	Conforming dimension FKs within PR subject area in PQM module. Other subject areas : NCR, CAPA, AUDIT.
PC_	Dimension FKs for conforming dimensions within PC module.
PC_ECO_	Conforming dimension FKs within ECO subject area in PC module. Other subject areas : ECR,MCO, SS.
MFR_PART_	Conforming dimension FKs within Manufacturer Part Subject Area.

## Standard Column Suffixes

Suffix	Value
_ID or _WID	Primary Key or Foreign Key (FK) that maps to Dimension tables. For a column with a Dynamic List whose values are not stored in List Entry table, you can consider this column as a 'Normal' FK to an Agile table.
_TIME_ID	Date columns that store date values in Julian format - FK to Time Dimension.
_FLAG or _FLG	This column contains a numeric value to represent Boolean Value; 1 indicates 'True' or 'Yes' and 0 indicates 'False' or 'No'.
_NAME	Name of dimension member or object name.
_DAYS	Aggregated cycle time in days.
_PCT	Stores Percentage value in number.

## Table Types in Oracle Product Lifecycle Analytics Schema

The Published Data Model comprises the following types of tables:

1. ETL Control Entities
2. Fact Tables
3. Dimension Tables
4. Bridge Tables
5. Data Tables
6. Materialized Views

## ETL Control Entities

Entity Name	Description
BI_DATA_DICTIONARY	Stores Mapping information about MDS tables including all fact table source and target mapping details. In addition, it contains information about the DATA tables.
BRIDGE_CTL	Reserved Table. ETL uses this mapping information to populate data into bridge tables.
ETL_PARAMETER	Stores variables that control the ETL process.
ETL_RUN_INFO	Stores information about ETL runs.
MDS_LISTDIM_CTL	List Dimension data population control table.
ETL_VERSION	Stores source version, OS version, Data base version, source name, etc.

## Fact Tables

The following are the Fact tables in this release of Oracle Product Lifecycle Analytics MDS.

Entity	Description
ITEM_ECRSS_F	Fact table that stores relationship between items, ECR and SS.
ITEM_F	Item Fact Table. This is the core fact table for Item which has Volume, Age and Item Risk related measures.
MFR_PART_F	Manufacturer Part Fact Table. This is the core fact table for Agile PLM Manufacturer Part which has Volume and Risk related measures.
PC_ECO_F	ECO Fact Table. This is the core fact table for ECO which has Volume, Aging and Cycle time related measures.
PC_ECR_F	ECR Core Fact Table. Stores Volume, Aging and Cycle time related measures of ECR.
PC_MCO_F	MCO Core Fact Table. Stores core facts of MCO, viz., Volume, Aging and Cycle time related measures.
PC_SS_F	Stop Ship Core Fact Table. Used for Agile PLM Stop Ship information, viz., Volume, Aging and Cycle time related measures.
PLM_PRJ_METRICS_F	Fact table that stores project metrics data such as 3 year NPV for Agile PLM for process source
PLM_SPEC_F	Specifications Fact Table. A Specification is the grain. The types of specifications are trade, formulation, ingredient, packaging material, printed packaging, menu item, product and nutrient profile. Each instance of these types is a row in the fact table.

Entity	Description
PLM_SPEC_WKFLW_F	Specification Workflow Fact Table. A step on the specification object is the grain. For example, if a specification has 4 steps, this table will have 4 rows.
PPM_ACTIVITY_DEL_F	Activity Deliverable Fact table.
PPM_ACTIVITY_F	Activity Fact Table. Stores detailed data to support Detailed Activity Analysis.
PPM_BASELINE_F	Fact tables that stores project baseline and current projects data.
PPM_PHASE_GATE_F	Phase Gate Fact Table. A gate is the grain. Stores data that has the relationship between a phase and a gate. The grain of the table is Gate of type DG1-DG6 and the start gates. The measures are analyzed with not just the gate dimensions but also with project, phase, program and portfolio dimensions the gate belongs to. The source input for the table is the activity table. The phase derivation is based on the configuration and business rules. Only user-defined measures from the gate are propagated to the phase gate fact table and it is a services activity to bring in the facts into the model. This table does not contain any private templates.
PPM_PHASE_GATE_SIGNOFF_F	Phase gate fact table. The grain is the gate and each of the signoff.
PPM_PORTFOLIO_F	Portfolio fact table Stores the portfolio summary data to support the analysis of the portfolio measures which is derived from the PLM reference number.
PPM_PRD_DEMAND_F	Product Demand Fact Table.
PPM_PRD_INV_QTY_F	Product Inventory Quantities Fact Table.
PPM_PRD_INV_VALUE_F	Product Inventory Values Fact Table.
PPM_PRD_REVENUE_F	Product Revenues Fact Table.
PPM_PRD_UNIT_REC_F	Product Units Received Fact Table.
PPM_PRD_UNIT_SHIP_F	Product Units Shipped Fact Table.
PPM_PRJ_COST_F	Project Costs Fact Table. Stores detailed data to support Project Cost Analysis.
PPM_PRJ_DET_SIGNOFF_F	Project Detail Signoff Fact Table. An activity or a gate with signoffs on each of them is the grain.
PPM_PRJ_DET_WKFLW_F	Project Details Workflow Fact Table. An activity or gate with workflow and steps is the grain.
PPM_PRJ_FORE_REV_F	Project Forecast Revenue Fact Table. Stores detailed data to support Project Forecast Revenue Analysis.
PPM_PRJ_SUM_F	Project Summary Fact Table. The grain is a project, a phase and a gate. Project summary is the summary of all projects which are derived as per the configuration business rules.

Entity	Description
PPM_PROGRAM_F	Program Fact Table. Stores program summary which is the analysis of the program measures derived from the PLM reference number.
PPM_SNAPSHOT_F	Snapshot Fact Table. This table takes data from the project summary table. The frequency of the load is configurable. Project dimension in this subject area is the list of all the current projects.
PQM_AUDIT_F	Audit Fact Table. This core fact table is used for Audit which has Volume, Aging and Cycle time related measures.
PQM_CAPA_F	CAPA Fact Table. This is the core fact table for CAPA which has Volume, Aging and Cycle time related measures.
PQM_NCR_F	NDR Fact Table. This is the core Fact table for NCR which has Volume, Aging and Cycle time related measures.
PQM_PR_F	PR Fact Table. This is the core Fact table for PR which has Volume, Aging and Cycle time related measures.

## Dimension Tables

The Dimensions in the MDS have multiple levels of attributes or a *Hierarchy*. This section describes the method in which the hierarchical attributes in the MDS database are stored and lists the various cascaded dimension entities.

Consider the following Hierarchy of Attributes specific to the 'Location' Dimension.

1. **Level 0** - Continent
2. **Level 1** - Region
3. **Level 2** - Country
4. **Level 3** - States
5. **Level 4** - Cities

All these attributes are stored in the database table with unique identification.

### Example

ID	Name	Level0	Level1	Level2	Level3	Level4
123	Continent	123	-124	-125	-126	-127
234	Continent  Region	123	234	-235	-236	-237
345	Continent  Region  Country	123	234	345	-346	-347
456	Continent  Region  Country  States	123	234	345	456	-457
567	Continent  Region  Country  States  Cities	123	234	345	456	567

All cascaded attributes do not have the same number of levels. The non-existent levels are

identified by negative-valued identifiers. The following table displays the level names corresponding to each level:

ID	Level0_Name	Level1_Name	Level2_Name	Level3_Name	Level4_Name
123	Continent	UNDEFINED	UNDEFINED	UNDEFINED	UNDEFINED
234	Continent	Region	UNDEFINED	UNDEFINED	UNDEFINED
345	Continent	Region	Country	UNDEFINED	UNDEFINED
456	Continent	Region	Country	States	UNDEFINED
567	Continent	Region	Country	States	Cities

The level name corresponding to the negative-valued identifiers is *UNDEFINED*.

## Dimension Entities

The following table lists all the dimension entities of the Oracle Product Lifecycle Analytics MDS.

Entity	Description
CLASS_INFO_D	Class Info Dimension table. Stores the List of Classes Information.
CUSTOMER_D	Customers Dimension Table. This table is conforming across the PLM. Out of the box, this table is mapped to Customer Object in Agile PLM.
DOC_CATEGORY_D	Document Category Dimension Table. This table is conforming across the fact tables in Item Subject Area. Out of the box, this table is mapped to the List configured to Category attribute of Item Class of Agile PLM.
DOC_CONF_MGMT_1_D	Document Configuration Management Dimension Table. This table is conforming across the fact tables in the Item Subject Area. Out of the box, this table is not populated with Agile PLM data. The table is populated only when the Agile PLM attributes are mapped using BI Configurator.
DOC_CONF_MGMT_2_D	Document Configuration Management Dimension Table. This table is conforming across the fact tables in the Item Subject Area. Out of the box, this table is not populated with Agile PLM data. The table is populated only when the Agile PLM attributes are mapped using BI Configurator.
DOC_CONF_MGMT_3_D	Document Configuration Management Dimension Table. This table is conforming across the fact tables in the Item Subject Area. Out of the box, this table is not populated with Agile PLM data. The table is populated only when the Agile PLM attributes are mapped using BI Configurator.
DOC_ERP_1_D	Document ERP Dimension Table. This table is conforming across the fact tables in the Item Subject Area. Out of the box, this table is not populated with Agile PLM data. The table is populated only when the Agile PLM attributes are mapped using BI Configurator.
DOC_ERP_2_D	Document ERP Dimension Table. This table is conforming across the fact tables in the Item Subject Area. Out of the box, this table is not populated with Agile PLM data. The table is populated only when the Agile PLM attributes are mapped using BI Configurator.

Entity	Description
DOC_ERP_3_D	Document ERP Dimension Table. This table is conforming across the fact tables in the Item Subject Area. Out of the box, this table is not populated with Agile PLM data. The table is populated only when the Agile PLM attributes are mapped using BI Configurator.
DOC_MANUF_1_D	Document Manufacturer Dimension Table. This table is conforming across the fact tables in the Item Subject Area. Out of the box, this table is not populated with Agile PLM data. The table is populated only when the Agile PLM attributes are mapped using BI Configurator.
DOC_MANUF_2_D	Document Manufacturer Dimension Table. This table is conforming across the fact tables in the Item Subject Area. Out of the box, this table is not populated with Agile PLM data. The table is populated only when the Agile PLM attributes are mapped using BI Configurator.
DOC_MANUF_3_D	Document Manufacturer Dimension Table. This table is conforming across the fact tables in the Item Subject Area. Out of the box, this table is not populated with Agile PLM data. The table is populated only when the Agile PLM attributes are mapped using BI Configurator.
DOC_PROD_ENG_1_D	Document Product Engineering Dimension Table. This table is conforming across the fact tables in the Item Subject Area. Out of the box, this table is not populated with Agile PLM data. The table is populated only when the Agile PLM attributes are mapped using BI Configurator.
DOC_PROD_ENG_2_D	Document Product Engineering Dimension Table. This table is conforming across the fact tables in the Item Subject Area. Out of the box, this table is not populated with Agile PLM data. The table is populated only when the Agile PLM attributes are mapped using BI Configurator.
DOC_PROD_ENG_3_D	Document Product Engineering Dimension Table. This table is conforming across the fact tables in the Item Subject Area. Out of the box, this table is not populated with Agile PLM data. The table is populated only when the Agile PLM attributes are mapped using BI Configurator.
DOC_TYPE_D	Document Type Dimension Table. This table is conforming across the fact tables in the Item Subject Area. Out of the box, this table is mapped to the List data from Types or Subclass attribute of the Documents class of Agile PLM.
EVENT_TYPE_D	Event Type Dimension table. This table stores the List of Event Types.
FLAG_D	Common Flag Dimension Table. Stores the flags in the fact tables such as cancel flag, released flag, etc.
INT_ORGANIZATION_D	Internal Organization Dimension Table. This table is conforming across the fact tables in the Item Subject Area. Out of the box, this table is not populated with Agile PLM data. The table is populated only when the Agile PLM attributes are mapped using BI Configurator.
ITEM_ASSEMBLY_RATING_D	Item Assembly Rating Dimension Table. This table is conforming across the fact tables in the Item Subject Area. Out of the box, this table is not populated with Agile PLM data. The table is populated only when the Agile PLM attributes are mapped using BI Configurator.

Entity	Description
ITEM_CATEGORY_D	Item Category Dimension Table. This table is conforming across the fact tables in the Item Subject Area. Out of the box, this table is mapped to the List data from the Category attribute of the Parts class of Agile PLM.
ITEM_COMMODITY_1_D	Item Commodity Dimension Table. This table is conforming across the fact tables in the Item Subject Area. Out of the box, this table is not populated with Agile PLM data. The table is populated only when the Agile PLM attributes are mapped using BI Configurator.
ITEM_COMMODITY_2_D	Item Commodity Dimension Table. This table is conforming across the fact tables in the Item Subject Area. Out of the box, this table is not populated with Agile PLM data. The table is populated only when the Agile PLM attributes are mapped using BI Configurator.
ITEM_COMMODITY_3_D	Item Commodity Dimension Table. This table is conforming across the fact tables in the Item Subject Area. Out of the box, this table is not populated with Agile PLM data. The table is populated only when the Agile PLM attributes are mapped using BI Configurator.
ITEM_COMMODITY_D	Item Commodity for Affected Items Dimension Table. This table is conforming across the fact tables in the Item Subject Area. Out of the box, this table is mapped to List data from Commodity attribute of Parts class of Agile PLM.
ITEM_COMPLIANCE_1_D	Item Compliance Dimension Table. This table is conforming across the fact tables in the Item Subject Area. Out of the box, this table is not populated with Agile PLM data. The table is populated only when the Agile PLM attributes are mapped using BI Configurator.
ITEM_COMPLIANCE_2_D	Item Compliance Dimension Table. This table is conforming across the fact tables in the Item Subject Area. Out of the box, this table is not populated with Agile PLM data. The table is populated only when the Agile PLM attributes are mapped using BI Configurator.
ITEM_COMPLIANCE_3_D	Item Compliance Dimension Table. This table is conforming across the fact tables in the Item Subject Area. Out of the box, this table is not populated with Agile PLM data. The table is populated only when the Agile PLM attributes are mapped using BI Configurator.
ITEM_COMPLIANCY_D	Item Compliancy Dimension Table. This table is conforming across the fact tables in the Item Subject Area. Out of the box, this table is mapped to List data from Overall Compliance attribute of Parts class of Agile PLM.
ITEM_COMPONENT_ENGINEER_D	Item Component Engineer Dimension Table. This table is conforming across the fact tables in the Item Subject Area. Out of the box, this table is not populated with Agile PLM data. The table is populated only when the Agile PLM attributes are mapped using BI Configurator.
ITEM_COMP_ENG_1_D	Item Component Engineering Dimension Table. This table is conforming across the fact tables in the Item Subject Area. Out of the box, this table is not populated with Agile PLM data. The table is populated only when the Agile PLM attributes are mapped using BI Configurator.

Entity	Description
ITEM_COMP_ENG_2_D	Item Component Engineering Dimension Table. This table is conforming across the fact tables in the Item Subject Area. Out of the box, this table is not populated with Agile PLM data. The table is populated only when the Agile PLM attributes are mapped using BI Configurator.
ITEM_COMP_ENG_3_D	Item Component Engineering Dimension Table. This table is conforming across the fact tables in the Item Subject Area. Out of the box, this table is not populated with Agile PLM data. The table is populated only when the Agile PLM attributes are mapped using BI Configurator.
ITEM_COST_RATING_D	Item Cost Rating Dimension Table. This table is conforming across the fact tables in the Item Subject Area. Out of the box, this table is not populated with Agile PLM data. The table is populated only when the Agile PLM attributes are mapped using BI Configurator.
ITEM_CUST_SUPP_1_D	Item Customer Support Dimension Table. This table is conforming across the fact tables in the Item Subject Area. Out of the box, this table is not populated with Agile PLM data. The table is populated only when the Agile PLM attributes are mapped using BI Configurator.
ITEM_CUST_SUPP_2_D	Item Customer Support Dimension Table. This table is conforming across the fact tables in the Item Subject Area. Out of the box, this table is not populated with Agile PLM data. The table is populated only when the Agile PLM attributes are mapped using BI Configurator.
ITEM_CUST_SUPP_3_D	Item Customer Support Dimension Table. This table is conforming across the fact tables in the Item Subject Area. Out of the box, this table is not populated with Agile PLM data. The table is populated only when the Agile PLM attributes are mapped using BI Configurator.
ITEM_D	Items Dimension Table. This Dimension Table is Conforming across PLM. Out of the box, this table is mapped to Parts Object in Agile PLM.
ITEM_ERP_1_D	Item ERP Dimension Table. This table is conforming across the fact tables in the Item Subject Area. Out of the box, this table is not populated with Agile PLM data. The table is populated only when the Agile PLM attributes are mapped using BI Configurator.
ITEM_ERP_2_D	Item ERP Dimension Table. This table is conforming across the fact tables in the Item Subject Area. Out of the box, this table is not populated with Agile PLM data. The table is populated only when the Agile PLM attributes are mapped using BI Configurator.
ITEM_ERP_3_D	Item ERP Dimension Table. This table is conforming across the fact tables in the Item Subject Area. Out of the box, this table is not populated with Agile PLM data. The table is populated only when the Agile PLM attributes are mapped using BI Configurator.
ITEM_FAILURE_MODE_D	Failure Modes for Affected Items Dimension Table. This table is conforming across all PQM and PC Subject Areas. Out of the box, this table is mapped to List data from Failure Mode attribute of the Parts class of Agile PLM.

Entity	Description
ITEM_LIFECYCLE_RATING_D	Item Life Cycle Rating Dimension Table. This table is conforming across the fact tables in the Item Subject Area. Out of the box, this table is not populated with Agile PLM data. The table is populated only when the Agile PLM attributes are mapped using BI Configurator.
ITEM_LIFECYCLE_STATE_D	Life Cycle States for Affected Items Dimension Table. This table is conforming across all PQM and PC Subject Areas. Out of the box, this table is mapped to List data from Life Cycle State attribute of Parts class of Agile PLM.
ITEM_MFR_PART_PREFER_ST ATUS_D	Item Manufacturer Part Preferred Status Dimension Table. This table is conforming across the fact tables in the Item AML Subject Area. Out of the box, this table is mapped to List data from the Manufacturer Part Preferred Status attribute of Manufacturer Part Class 'where used' tab of Agile PLM.
ITEM_PART_FAMILY_D	Part Families for Affected Items Dimension Table. This table is conforming across all PQM and PC Subject Areas. Out of the box, this table is mapped to List data from Part Family attribute of Parts class.
ITEM_PERFORMANCE_RATING _D	Item Performance Rating Dimension Table. This table is conforming across the fact tables in the Item Subject Area. Out of the box, this table is not populated with Agile PLM data. The table is populated only when the Agile PLM attributes are mapped using BI Configurator.
ITEM_PRODUCTLINE_D	Item Productline Dimension Table. Product Lines for Affected Items and is conforming across all PQM Subject Areas. Out of the box, this table is mapped to List data from Product Line attribute of Parts and Documents class.
ITEM_PROD_ENG_1_D	Item Product Engineering Dimension Table. This table is conforming across fact tables in Item Subject Area. Out of the box, this table is not populated with Agile PLM data. The table is populated only when the Agile PLM attributes are mapped using BI Configurator.
ITEM_PROD_ENG_2_D	Item Product Engineering Dimension Table. This table is conforming across the fact tables in the Item Subject Area. Out of the box, this table is not populated with Agile PLM data. The table is populated only when the Agile PLM attributes are mapped using BI Configurator.
ITEM_PROD_ENG_3_D	Item Product Engineering Dimension Table. This table is conforming across the fact tables in the Item Subject Area. Out of the box, this table is not populated with Agile PLM data. The table is populated only when the Agile PLM attributes are mapped using BI Configurator.
ITEM_RELIABILITY_RATING_D	Item Reliability Rating Dimension Table. This table is conforming across the fact tables in the Item Subject Area. Out of the box, this table is not populated with Agile PLM data. The table is populated only when the Agile PLM attributes are mapped using BI Configurator.
ITEM_REV_D	Item Revision Dimension table. Stores the list of Item Revisions.
ITEM_SIZE_D	Sizes for Affected Items Dimension Table. This table is conforming across all PQM Subject Areas. Out of the box, this table is mapped to List data from Size attribute of Parts class of Agile PLM.

Entity	Description
ITEM_TLA_D	Item TLAs Dimension Table. This table is conforming across the fact tables in the Item Subject Area. Out of the box, this table is mapped to List data from TLA attribute of the Parts class of Agile PLM.
ITEM_TYPE_D	Item Type or Subclass Dimension Table. This table is conforming across the fact tables in the Item Subject Area. Out of the box, this table is mapped to type or subclass attribute of Part Class of Agile PLM.
MANUFACTURER_D	Manufacturers Dimension Table. This table is conforming across PLM. Out of the box, this table is mapped to List of the Manufacturers of the Manufacturer Class of Agile PLM.
MFR_COMPLIANCE_D	Manufacturer Compliance Dimension Table. This table is conforming across fact tables in Manufacturer Part Subject Area. Out of the box, this table is mapped to compliance attribute of Manufacturer Class of Agile PLM.
MFR_COUNTRY_D	Manufacturer Countries Dimension Table. This table is conforming across the fact tables in Manufacturer Part Subject Area. Out of the box, this table is mapped to List data from the Manufacturer Country attribute of Manufacturer class.
MFR_LIFECYCLE_PHASE_D	Manufacturer Lifecycle Phases Dimension Table. This table is conforming across the fact tables in Manufacturer Part Subject Area. Out of the box, this table is mapped to List data from Lifecycle Phases attribute of Manufacturer class.
MFR_LOCATION_D	Manufacturer Locations Dimension Table. This table is conforming across the fact tables in Manufacturer Part Subject Area. Out of the box, this table is mapped to List data from the Manufacturer Location attribute of Manufacturer class.
MFR_PART_ASSEMBLY_RATE_D	Manufacturer Part Assembly Rating Dimension Table. This table is conforming across the fact tables in Manufacturer Part Subject Area. Out of the box, this table is not populated with Agile PLM data. The table is populated only when the Agile PLM attributes are mapped using BI Configurator.
MFR_PART_COMMODITY_1_D	Manufacturer Part Commodity Dimension Table. This table is conforming across the fact tables in Manufacturer Part Subject Area. Out of the box, this table is not populated with Agile PLM data. The table is populated only when the Agile PLM attributes are mapped using BI Configurator.
MFR_PART_COMMODITY_2_D	Manufacturer Part Commodity Dimension Table. This table is conforming across the fact tables in Manufacturer Part Subject Area. Out of the box, this table is not populated with Agile PLM data. The table is populated only when the Agile PLM attributes are mapped using BI Configurator.
MFR_PART_COMMODITY_3_D	Manufacturer Part Commodity Dimension Table. This table is conforming across the fact tables in Manufacturer Part Subject Area. Out of the box, this table is not populated with Agile PLM data. The table is populated only when the Agile PLM attributes are mapped using BI Configurator.

Entity	Description
MFR_PART_COMPLIANCE_1_D	Manufacturer Part Compliance Dimension Table. This table is conforming across the fact tables in Manufacturer Part Subject Area. Out of the box, this table is not populated with Agile PLM data. The table is populated only when the Agile PLM attributes are mapped using BI Configurator.
MFR_PART_COMPLIANCE_2_D	Manufacturer Part Compliance Dimension Table. This table is conforming across the fact tables in Manufacturer Part Subject Area. Out of the box, this table is not populated with Agile PLM data. The table is populated only when the Agile PLM attributes are mapped using BI Configurator.
MFR_PART_COMPLIANCE_3_D	Manufacturer Part Compliance Dimension Table. This table is conforming across the fact tables in Manufacturer Part Subject Area. Out of the box, this table is not populated with Agile PLM data. The table is populated only when the Agile PLM attributes are mapped using BI Configurator.
MFR_PART_COMPLIANCE_D	Manufacturer Part Compliance Dimension Table. This table is conforming across the fact tables in Manufacturer Part Subject Area. Out of the box, this table is mapped to List data from Compliance attribute of Manufacturer Parts class.
MFR_PART_COMP_ENG_1_D	Manufacturer Part Component Engineering Dimension Table. This table is conforming across the fact tables in Manufacturer Part Subject Area. Out of the box, this table is not populated with Agile PLM data. The table is populated only when the Agile PLM attributes are mapped using BI Configurator.
MFR_PART_COMP_ENG_2_D	Manufacturer Part Component Engineering Dimension Table. This table is conforming across the fact tables in Manufacturer Part Subject Area. Out of the box, this table is not populated with Agile PLM data. The table is populated only when the Agile PLM attributes are mapped using BI Configurator.
MFR_PART_COMP_ENG_3_D	Manufacturer Part Component Engineering Dimension Table. This table is conforming across the fact tables in Manufacturer Part Subject Area. Out of the box, this table is not populated with Agile PLM data. The table is populated only when the Agile PLM attributes are mapped using BI Configurator.
MFR_PART_COMP_ENG_D	Manufacturer Part Component Engineer Dimension Table. This table is conforming across the fact tables in Manufacturer Part Subject Area. Out of the box, this table is not populated with Agile PLM data. The table is populated only when the Agile PLM attributes are mapped using BI Configurator.
MFR_PART_COST_RATE_D	Manufacturer Part Cost Rate Dimension Table. This table is conforming across the fact tables in Manufacturer Part Subject Area. Out of the box, this table is not populated with Agile PLM data. The table is populated only when the Agile PLM attributes are mapped using BI Configurator.
MFR_PART_LIFECYCLE_PHASE_D	Manufacturer Part Lifecycle Phases Dimension Table. This table is conforming across the fact tables in Manufacturer Part Subject Area. Out of the box, this table is mapped to List data from the Manufacturer Part Lifecycle Phases attribute of Manufacturer Part class.

Entity	Description
MFR_PART_LIFECYCLE_RATE_D	Manufacturer Part Lifecycle Rating Dimension Table. This table is conforming across the fact tables in Manufacturer Part Subject Area. Out of the box, this table is not populated with Agile PLM data. The table is populated only when the Agile PLM attributes are mapped using BI Configurator.
MFR_PART_PARTFAMILY_D	Manufacturer Part Families Dimension Table. This table is conforming across the fact tables in Manufacturer Part Subject Area. Out of the box, this table is mapped to List data from Manufacturer Part Family attribute of Manufacturer Part class.
MFR_PART_PERF_RATE_D	Manufacturer Part Performance Rating Dimension Table. This table is conforming across the fact tables in Manufacturer Part Subject Area. Out of the box, this table is not populated with Agile PLM data. The table is populated only when the Agile PLM attributes are mapped using BI Configurator.
MFR_PART_RELIABILITY_RATE_D	Manufacturer Part Reliability Rating Dimension Table. This table is conforming across the fact tables in Manufacturer Part Subject Area. Out of the box, this table is not populated with Agile PLM data. The table is populated only when the Agile PLM attributes are mapped using BI Configurator.
MFR_PART_TYPE_D	Manufacturer Part Types Dimension Table. This table is conforming across the fact tables in Manufacturer Part Subject Area. Out of the box, this table is mapped to List data from Types attribute of the Manufacturer Parts class.
MFR_QMS_STANDARD_D	Manufacturer QMS Standards Dimension Table. This table is conforming across the fact tables in Manufacturer Part Subject Area. Out of the box, this table is not populated with Agile PLM data. The table is populated only when the Agile PLM attributes are mapped using BI Configurator.
MFR_REGION_D	Manufacturer Region Dimension Table. This table is conforming across the fact tables in Manufacturer Part Subject Area. Out of the box, this table is not populated with Agile PLM data. The table is populated only when the Agile PLM attributes are mapped using BI Configurator.
MFR_SIZE_D	Manufacturer Size Dimension Table. This table is conforming across the fact tables in Manufacturer Part Subject Area. Out of the box, this table is not populated with Agile PLM data. The table is populated only when the Agile PLM attributes are mapped using BI Configurator.
MFR_STATE_D	Manufacturer States Dimension Table. This table is conforming across the fact tables in Manufacturer Part Subject Area. Out of the box, this table is mapped to List data from Manufacturer States attribute of Manufacturer class of Agile PLM.
MFR_TYPE_D	Manufacturer Types Dimension Table. This table is conforming across the fact tables in Manufacturer Part Subject Area. Out of the box, this table is mapped to List data from Manufacturer Types attribute of the Manufacturers class of Agile PLM.
PC_CUSTOMER_D	Stores the customer data for the activities.

Entity	Description
PC_ECO_CATEGORY_D	ECO Category Dimension Table. This table is conforming across the fact tables in ECO Subject Area. Out of the box, this table is mapped to the List configured to Category attribute of ECO Class of Agile PLM.
PC_ECO_FIELD_D	ECO Fields Dimension Table. This table is conforming across the fact tables in ECO Item Subject Area. Out of the box, this table is mapped to the List configured to Fields attribute of the ECO Class on the Affected Item tab of Agile PLM.
PC_ECO_FINISHEDGOODS_D	ECO Finished Goods Dimension Table. This table is conforming across the fact tables in ECO Item Subject Area. Out of the box, this table is mapped to the List configured to Finished Goods attribute of the ECO Class on the Affected Item tab of Agile PLM.
PC_ECO_FUNCTION_D	ECO Functions Dimension Table. This table is conforming across the fact tables in ECO Item Subject Area. Out of the box, this table is mapped to the List configured to Functions attribute of the ECO Class on the Affected Item tab of Agile PLM.
PC_ECO_MFRLOCIMPACT_D	ECO Manufacturing locations impacted Dimension Table. This table is conforming across the fact tables in ECO Subject Area. Out of the box, this table is not populated with Agile PLM data. The table is populated only when the Agile PLM attributes are mapped using BI Configurator.
PC_ECO_ONORDER_D	ECO On Orders Dimension Table. This table is conforming across the fact tables in ECO Item Subject Area. Out of the box, this table is mapped to the List configured to On Orders attribute of the ECO Class on the Affected Item tab of Agile PLM.
PC_ECO_PRGTASK_D	ECO Program Task Dimension Table. This table is conforming across the fact tables in ECO Subject Area. Out of the box, this table is not populated with Agile PLM data. The table is populated only when the Agile PLM attributes are mapped using BI Configurator.
PC_ECO_PRIORITY_D	ECO Priority Dimension Table. This table is conforming across the fact tables in ECO Subject Area. Out of the box, this table is not populated with Agile PLM data. The table is populated only when the Agile PLM attributes are mapped using BI Configurator.
PC_ECO_PROGRAM_D	ECO Programs Dimension Table. This table is conforming across the fact tables in ECO Subject Area. Out of the box, this table is not populated with Agile PLM data. The table is populated only when the Agile PLM attributes are mapped using BI Configurator.
PC_ECO_REASON_CODE_D	ECO Reason Codes Dimension Table. This table is conforming across the fact tables in ECO Subject Area. Out of the box, this table is mapped to the List configured to Reason Codes attribute of the ECO Class of Agile PLM.
PC_ECO_REGTYPE_D	ECO Regulation Type Dimension Table. This table is conforming across the fact tables in ECO Subject Area. Out of the box, this table is not populated with Agile PLM data. The table is populated only when the Agile PLM attributes are mapped using BI Configurator.

Entity	Description
PC_ECO_SALESREGIMPACT_D	ECO Sales Regions Impacted Dimension Table. This table is conforming across the fact tables in ECO Subject Area. Out of the box, this table is not populated with Agile PLM data. The table is populated only when the Agile PLM attributes are mapped using BI Configurator.
PC_ECO_SEVFINIMPACT_D	ECO Severity of Financial Impact Dimension Table. This table is conforming across the fact tables in ECO Subject Area. Out of the box, this table is not populated with Agile PLM data. The table is populated only when the Agile PLM attributes are mapped using BI Configurator.
PC_ECO_STOCK_D	ECO Stocks Dimension Table. This table is conforming across the fact tables in ECO Item Subject Area. Out of the box, this table is mapped to the List configured to Stocks attribute of the ECO Class on the Affected Item tab of Agile PLM.
PC_ECO_TYPE_D	ECO Types Dimension Table. This table is conforming across the fact tables in ECO Subject Area. Out of the box, this table is mapped to List data from Types or Subclass attribute of the ECO class of Agile PLM.
PC_ECO_WIP_D	ECO Work in Progress Dimension Table. This table is conforming across the fact tables in ECO Item Subject Area. Out of the box, this table is mapped to the List configured to WIPs attribute of the ECO Class of Agile PLM.
PC_ECO_WORKFLOW_D	ECO Workflow Dimension Table. This table is conforming across the fact tables in ECO Subject Area. Out of the box, this table is contains all the workflows assigned to ECO and the states within each of the workflow.
PC_ECR_CATEGORY_D	ECR Category Dimension Table. This table is conforming across the fact tables in ECR Subject Area. Out of the box, this table is mapped to the List configured to Category attribute of ECR Class of Agile PLM.
PC_ECR_FIELD_D	ECR Fields Dimension Table. This table is conforming across the fact tables in ECR Subject Area. Out of the box, this table is not populated with Agile PLM data. The table is populated only when the Agile PLM attributes are mapped using BI Configurator.
PC_ECR_FINISHEDGOODS_D	ECR Finished Goods Dimension Table. This table is conforming across the fact tables in ECR Subject Area. Out of the box, this table is not populated with Agile PLM data. The table is populated only when the Agile PLM attributes are mapped using BI Configurator.
PC_ECR_FUNCTION_D	ECR Functions Dimension Table. This table is conforming across the fact tables in ECR Subject Area. Out of the box, this table is not populated with Agile PLM data. The table is populated only when the Agile PLM attributes are mapped using BI Configurator.
PC_ECR_IDEA_TYPE_D	ECR Idea Types Dimension Table. This table is conforming across the fact tables in ECR Subject Area. Out of the box, this table is not populated with Agile PLM data. The table is populated only when the Agile PLM attributes are mapped using BI Configurator.

Entity	Description
PC_ECR_MFRLOCIMPACT_D	ECR Manufacturing Locations Impacted Dimension Table. This table is conforming across the fact tables in ECR Subject Area. Out of the box, this table is not populated with Agile PLM data. The table is populated only when the Agile PLM attributes are mapped using BI Configurator.
PC_ECR_ONORDER_D	ECR On Orders Dimension Table. This table is conforming across the fact tables in ECR Subject Area. Out of the box, this table is not populated with Agile PLM data. The table is populated only when the Agile PLM attributes are mapped using BI Configurator.
PC_ECR_PRGTASK_D	ECR Program Task Dimension Table. This table is conforming across the fact tables in ECR Subject Area. Out of the box, this table is not populated with Agile PLM data. The table is populated only when the Agile PLM attributes are mapped using BI Configurator.
PC_ECR_PRIORITY_D	ECR Priority Dimension Table. This table is conforming across the fact tables in ECR Subject Area. Out of the box, this table is not populated with Agile PLM data. The table is populated only when the Agile PLM attributes are mapped using BI Configurator.
PC_ECR_PROGRAM_D	ECR Programs Dimension Table. This table is conforming across the fact tables in ECR Subject Area. Out of the box, this table is not populated with Agile PLM data. The table is populated only when the Agile PLM attributes are mapped using BI Configurator.
PC_ECR_REASON_CODE_D	ECR Reason Codes Dimension Table. This table is conforming across the fact tables in ECR Subject Area. Out of the box, this table is mapped to the List configured to Reason Codes attribute of the ECR Class.
PC_ECR_REGTYPE_D	ECR Regulation Type Dimension Table. This table is conforming across the fact tables in ECR Subject Area. Out of the box, this table is not populated with Agile PLM data. The table is populated only when the Agile PLM attributes are mapped using BI Configurator.
PC_ECR_REQ_PART_TYPE_D	ECR Requested Part Types Dimension Table. This table is conforming across the fact tables in ECR Subject Area. Out of the box, this table is not populated with Agile PLM data. The table is populated only when the Agile PLM attributes are mapped using BI Configurator.
PC_ECR_SALESREGIMPACT_D	ECR Sales Regions Impacted Dimension Table. This table is conforming across the fact tables in ECR Subject Area. Out of the box, this table is not populated with Agile PLM data. The table is populated only when the Agile PLM attributes are mapped using BI Configurator.
PC_ECR_SEVFINIMPACT_D	ECR Severity of Financial Impact Dimension Table. This table is conforming across the fact tables in ECR Subject Area. Out of the box, this table is not populated with Agile PLM data. The table is populated only when the Agile PLM attributes are mapped using BI Configurator.
PC_ECR_STOCK_D	ECR Stocks Dimension Table. This table is conforming across the fact tables in ECR Subject Area. Out of the box, this table is not populated with Agile PLM data. The table is populated only when the Agile PLM attributes are mapped using BI Configurator.

Entity	Description
PC_ECR_TYPE_D	ECR Types Dimension Table. This table is conforming across the fact tables in ECR Subject Area. Out of the box, this table is mapped to List data from Types or Subclass attribute of the ECR class of Agile PLM.
PC_ECR_WIP_D	ECR WIPs Dimension Table. This table is conforming across the fact tables in ECR Subject Area. Out of the box, this table is not populated with Agile PLM data. The table is populated only when the Agile PLM attributes are mapped using BI Configurator.
PC_ECR_WORKFLOW_D	ECO Workflow Dimension Table. This table is conforming across the fact tables in ECR Subject Area. Out of the box, this table is contains all the workflows assigned to ECR and the states within each of the workflow.
PC_LOCATION_D	PC Locations Dimension Table. This Dimension Table is Conforming across PLM. Out of the box, this table is not populated with Agile PLM data. The table is populated only when the Agile PLM attributes are mapped using BI Configurator.
PC_MCO_CATEGORY_D	Manufacturer Change Order Category Dimension Table. This table is conforming across the fact tables in MCO Subject Area. Out of the box, this table is mapped to the List configured to Category attribute of MCO Class of Agile PLM.
PC_MCO_FIELD_D	MCO Fields Dimension Table. This table is conforming across the fact tables in MCO Subject Area. Out of the box, this table is not populated with Agile PLM data. The table is populated only when the Agile PLM attributes are mapped using BI Configurator.
PC_MCO_FINISHEDGOODS_D	MCO Finished Goods Dimension Table. This table is conforming across the fact tables in MCO Subject Area. Out of the box, this table is not populated with Agile PLM data. The table is populated only when the Agile PLM attributes are mapped using BI Configurator.
PC_MCO_FUNCTION_D	MCO Functions Dimension Table. This table is conforming across the fact tables in MCO Subject Area. Out of the box, this table is not populated with Agile PLM data. The table is populated only when the Agile PLM attributes are mapped using BI Configurator.
PC_MCO_MFRLOCIMPACT_D	MCO Manufacturing Locations Impacted Dimension Table. This table is conforming across the fact tables in MCO Subject Area. Out of the box, this table is not populated with Agile PLM data. The table is populated only when the Agile PLM attributes are mapped using BI Configurator.
PC_MCO_ONORDER_D	MCO On Orders Dimension Table. This table is conforming across the fact tables in MCO Subject Area. Out of the box, this table is not populated with Agile PLM data. The table is populated only when the Agile PLM attributes are mapped using BI Configurator.
PC_MCO_PRGTASK_D	MCO Program Task Dimension Table. This table is conforming across the fact tables in MCO Subject Area. Out of the box, this table is not populated with Agile PLM data. The table is populated only when the Agile PLM attributes are mapped using BI Configurator.

Entity	Description
PC_MCO_PRIORITY_D	MCO Priority Dimension Table. This table is conforming across the fact tables in MCO Subject Area. Out of the box, this table is not populated with Agile PLM data. The table is populated only when the Agile PLM attributes are mapped using BI Configurator.
PC_MCO_PROGRAM_D	MCO Programs Dimension Table. This table is conforming across the fact tables in MCO Subject Area. Out of the box, this table is not populated with Agile PLM data. The table is populated only when the Agile PLM attributes are mapped using BI Configurator.
PC_MCO_REASON_CODE_D	MCO Reason Codes Dimension Table. This table is conforming across the fact tables in MCO Subject Area. Out of the box, this table is mapped to the List configured to Reason Codes attribute of the MCO Class.
PC_MCO_REGTYPE_D	MCO Regulation Type Dimension Table. This table is conforming across the fact tables in MCO Subject Area. Out of the box, this table is not populated with Agile PLM data. The table is populated only when the Agile PLM attributes are mapped using BI Configurator.
PC_MCO_SALESREGIMPACT_D	MCO Sales Regions Impacted Dimension Table. This table is conforming across the fact tables in MCO Subject Area. Out of the box, this table is not populated with Agile PLM data. The table is populated only when the Agile PLM attributes are mapped using BI Configurator.
PC_MCO_SEVFINIMPACT_D	MCO Severity of Financial Impact Dimension Table. This table is conforming across the fact tables in MCO Subject Area. Out of the box, this table is not populated with Agile PLM data. The table is populated only when the Agile PLM attributes are mapped using BI Configurator.
PC_MCO_STOCK_D	MCO Stocks Dimension Table. This table is conforming across the fact tables in MCO Subject Area. Out of the box, this table is not populated with Agile PLM data. The table is populated only when the Agile PLM attributes are mapped using BI Configurator.
PC_MCO_TYPE_D	MCO Types Dimension Table. This table is conforming across the fact tables in MCO Subject Area. Out of the box, this table is mapped to List data from Types or Subclass attribute of the MCO class..
PC_MCO_WIP_D	MCO WIPs Dimension Table. This table is conforming across the fact tables in MCO Subject Area. Out of the box, this table is not populated with Agile PLM data. The table is populated only when the Agile PLM attributes are mapped using BI Configurator.
PC_MCO_WORKFLOW_D	MCO Workflow Dimension Table. This table is conforming across the fact tables in MCO Subject Area. Out of the box, this table is contains all the workflows assigned to MCO and the states within each of the workflow.
PC_PRODUCTLINE_D	Productlines Dimension Table. This is a conforming Dimension Table across Change Orders (ECO), Change Requests (ECR), Manufacturing Changes (MCO) and Stop Ships. Out of the box, this table is mapped to Product Line attribute on the change objects of Agile PLM.
PC_SS_CATEGORY_D	Stop Ship Category Dimension Table. This table is conforming across the fact tables in SS Subject Area. Out of the box, this table is mapped to the List configured to Category attribute of SS Class of Agile PLM.

Entity	Description
PC_SS_FIELD_D	Stop Ship Fields Dimension Table. This table is conforming across the fact tables in SS Subject Area. Out of the box, this table is not populated with Agile PLM data. The table is populated only when the Agile PLM attributes are mapped using BI Configurator.
PC_SS_FINISHEDGOODS_D	Stop Ship Finished Goods Dimension Table. This table is conforming across the fact tables in SS Subject Area. Out of the box, this table is not populated with Agile PLM data. The table is populated only when the Agile PLM attributes are mapped using BI Configurator.
PC_SS_FUNCTION_D	Stop Ship Functions Dimension Table. This table is conforming across the fact tables in SS Subject Area. Out of the box, this table is not populated with Agile PLM data. The table is populated only when the Agile PLM attributes are mapped using BI Configurator.
PC_SS_MFRLOCIMPACT_D	Stop Ship Manufacturing locations impacted Dimension Table. This table is conforming across the fact tables in SS Subject Area. Out of the box, this table is not populated with Agile PLM data. The table is populated only when the Agile PLM attributes are mapped using BI Configurator.
PC_SS_ONORDER_D	Stop Ship On Orders Dimension Table. This table is conforming across the fact tables in SS Subject Area. Out of the box, this table is not populated with Agile PLM data. The table is populated only when the Agile PLM attributes are mapped using BI Configurator.
PC_SS_PRGTASK_D	Stop Ship Program Task Dimension Table. This table is conforming across the fact tables in SS Subject Area. Out of the box, this table is not populated with Agile PLM data. The table is populated only when the Agile PLM attributes are mapped using BI Configurator.
PC_SS_PRIORITY_D	Stop Ship Priority Dimension Table. This table is conforming across the fact tables in SS Subject Area. Out of the box, this table is not populated with Agile PLM data. The table is populated only when the Agile PLM attributes are mapped using BI Configurator.
PC_SS_PROGRAM_D	Stop Ship Program Dimension Table. This table is conforming across the fact tables in SS Subject Area. Out of the box, this table is not populated with Agile PLM data. The table is populated only when the Agile PLM attributes are mapped using BI Configurator.
PC_SS_REASON_CODE_D	Stop Ship Reason Codes Dimension Table. This table is conforming across the fact tables in SS Subject Area. Out of the box, this table is mapped to the List configured to Reason Codes attribute of the SS Class of Agile PLM.
PC_SS_REGTYPE_D	Stop Ship Regulation Type Dimension Table. This table is conforming across the fact tables in SS Subject Area. Out of the box, this table is not populated with Agile PLM data. The table is populated only when the Agile PLM attributes are mapped using BI Configurator.
PC_SS_SALESREGIMPACT_D	Stop Ship Sales Regions Impacted Dimension Table. This table is conforming across the fact tables in SS Subject Area. Out of the box, this table is not populated with Agile PLM data. The table is populated only when the Agile PLM attributes are mapped using BI Configurator.

Entity	Description
PC_SS_SEVFINIMPACT_D	Stop Ship Severity of Financial Impact Dimension Table. This table is conforming across the fact tables in SS Subject Area. Out of the box, this table is not populated with Agile PLM data. The table is populated only when the Agile PLM attributes are mapped using BI Configurator.
PC_SS_STOCK_D	Stop Ship Stocks Dimension Table. This table is conforming across the fact tables in SS Subject Area. Out of the box, this table is not populated with Agile PLM data. The table is populated only when the Agile PLM attributes are mapped using BI Configurator.
PC_SS_TYPE_D	Stop Ship Types Dimension Table. This table is conforming across the fact tables in SS Subject Area. Out of the box, this table is mapped to List data from Types or Subclass attribute of the SS class of Agile PLM.
PC_SS_WIP_D	Stop Ship WIPs Dimension Table. This table is conforming across the fact tables in SS Subject Area. Out of the box, this table is not populated with Agile PLM data. The table is populated only when the Agile PLM attributes are mapped using BI Configurator.
PC_SS_WORKFLOW_D	Stop Ship Workflow Dimension Table. This table is conforming across the fact tables in SS Subject Area. Out of the box, this table is contains all the workflows assigned to SS and the states within each of the workflow of Agile PLM.
PC_SUPPLIER_D	Stores the Supplier data.
PLM_BASIS_D	Basis Dimension Table.
PLM_BRAND_D	Project Brands Dimension Table. A Project Brand is the grain.
PLM_CATEGORY_D	Categories Dimension Table.
PLM_CHANNEL_D	Project Channel Dimension Table. This contains the master list of all the channels of a project.
PLM_DEMOGRAPH_D	Project Demograph Dimension Table. This contains the master list of all the demographs of a project.
PLM_FSCLYR_D	Fiscal Year Dimension Table.
PLM_FUNC_AREA_D	Functional Area Dimension Table. Stores all the functional areas in the source system.
PLM_GLOBAL_CAT_D	Project Global Categories Dimension Table. This contains the master list of all the global categories of a project.
PLM_ISP_TITLE_D	Project ISP Title Dimension Table. This contains the master list of all the ISP Title of a project.
PLM_LEAD_CNTRY_D	Project Lead Countries Dimension. Stores the master list of all the lead countries of a project.
PLM_METRIC_PHASE_D	Metric Phase Dimension Table.
PLM_PRJ_TYPE_D	Project Types Dimension Table. This is a hierarchy. This table stores the master list of all the project types of a project.
PLM_PRJ_VISIBILITY_D	Project Visibility Dimension table.

<b>Entity</b>	<b>Description</b>
PLM_SPEC_BUS_UNIT_D	Business Unit Specifications Dimension Table.
PLM_SPEC_CLASSIFY_D	Classification Specifications Dimension Table. Stores Ingredient, product and Nutrient Profile specifications. A Classification is the grain.
PLM_SPEC_CNTRY_ORIGIN_D	Country of Origin and Specifications Dimension Table. Contains trade and ingredient specifications.
PLM_SPEC_D	Specifications Dimension Table.
PLM_SPEC_LANG_D	Language Specifications Dimension Table. Stores language attributes for printed packaging.
PLM_SPEC_MAT_TYPE_D	Material types Dimension Table. Stores ingredient specifications. A Material Type is the grain.
PLM_SPEC_MENU_CLASS_D	Menu item class dimension table. A Menu Item Class is the grain.
PLM_SPEC_SHIP_COND_D	Shipping Conditions Dimension Table. Stores product shipping conditions.
PLM_SPEC_SHIP_REQ_D	Shipping Requirements Dimension Table. Stores ingredient shipping requirements.
PLM_SPEC_SPCL_ATTR_D	Specification Special Attributes Dimension Table.
PLM_SPEC_STEP_D	Specification Step Dimension Table. A Specification and its Step is the grain.
PLM_SPEC_STOR_REQ_D	Specification Storage Requirements Dimension Table.
PLM_SPEC_SUB_RECT_D	Substitute Restrictions Dimension Table. Used for formulation.
PLM_SPEC_SYS_EQUIVALENT_D	Specification System Equivalent Dimension Table. The system equivalent is the grain.
PLM_SPEC_TAXONOMY_D	Specification Taxonomy Dimension Table. Stores the category, subcategory and group hierarchy. Level columns are used for the hierarchy purpose.
PLM_SPEC_TYPE_D	Specification Types Dimension Table.
PLM_STRAT_BRIEF_D	Project Strategic Brief Dimension Table.
PPM_ACTIVITY_D	Activity Dimension table. The grain is the activity, which includes projects, phases, gates and activities. Stores resolved dimension attributes data for activities and can be conformed across all PPM Fact tables. This table will not contain any private templates. Initiated flag determines whether an activity/gate/phase is initiated or not.
PPM_ACTIVITY_WKFLW_D	Activity Workflow Dimension Table. The grain is activity, workflow and workflow step.
PPM_BASELINE_D	Project Baseline Dimension Table. The grain is the project baseline. Stores the resolved dimension attributes data for the Baseline (Project) activities.
PPM_BUS_UNIT_D	Project Business Unit Dimension Table. Contains the master list of all the business units for a project.

Entity	Description
PPM_CATEGORY10_D	Category Dimension Table. Stores category list data for activities.
PPM_CATEGORY11_D	Category Dimension Table. Stores category list data for activities.
PPM_CATEGORY12_D	Category Dimension Table. Stores category list data for activities.
PPM_CATEGORY13_D	Category Dimension Table. Stores category list data for activities.
PPM_CATEGORY14_D	Category Dimension Table. Stores category list data for activities.
PPM_CATEGORY15_D	Category Dimension Table. Stores category list data for activities.
PPM_CATEGORY16_D	Category Dimension Table. Stores category list data for activities.
PPM_CATEGORY17_D	Category Dimension Table. Stores category list data for activities.
PPM_CATEGORY18_D	Category Dimension Table. Stores category list data for activities.
PPM_CATEGORY19_D	Category Dimension Table. Stores category list data for activities.
PPM_CATEGORY20_D	Category Dimension Table. Stores category list data for activities.
PPM_CATEGORY21_D	Category Dimension Table. Stores category list data for activities.
PPM_CATEGORY22_D	Category Dimension Table. Stores category list data for activities.
PPM_CATEGORY23_D	Category Dimension Table. Stores category list data for activities.
PPM_CATEGORY24_D	Category Dimension Table. Stores category list data for activities.
PPM_CATEGORY7_D	Category Dimension Table. Stores category list data for activities.
PPM_CATEGORY8_D	Category Dimension Table. Stores category list data for activities.
PPM_CATEGORY9_D	Category Dimension Table. Stores category list data for activities.
PPM_CUSTOMER_D	Customer Dimension Table. Stores customer data for activities.
PPM_DELIVERABLE_D	Deliverable Dimension table. A Deliverable is the grain.
PPM_DEL_TAG_D	Deliverable Tags Dimension table
PPM_DIVISION_D	Division Dimension Table. Stores the division data for the activities.
PPM_FUNC_AREA_D	Functional Area Dimension Table. Stores functional area data for activities. A Functional Area is the grain.
PPM_GATE_D	Gate Dimension Table. Stores the resolved dimension attributes data for gates. A Gate is the grain. This table does not contain any private templates. Initiated flag determines whether a gate is initiated or not.
PPM_LAUNCH_YEAR_D	Launch Year Dimension Table. Stores the launch year data for activities.
PPM_LOCATION_D	Location Dimension Table. Stores location data for activities.
PPM_PHASE_D	Phase Dimension Table. Stores the resolved dimension attributes data for Phase activities. It does not contain any private templates. A Phase is the grain. Initiated flag will determine whether a phase is initiated or not.
PPM_PHASE_WORKFLOW_D	Phase Workflow Dimension Table. Stores resolved dimension attributes data for phase workflows.

Entity	Description
PPM_PORTFOLIO_D	Portfolio Dimension Table. Stores resolved dimension attributes data for Portfolio activities.
PPM_PRODUCT_LINE_D	Product Line Dimension Table. Stores resolved dimension attributes data for product line data.
PPM_PROGRAM_D	Program Dimension Table. Stores resolved dimension attributes data for Program activities.
PPM_PROJECT_D	Project Dimension Table. Stores resolved dimension attributes data for Project activities. Does not contain any private templates.
PPM_PROJECT_TYPE_D	Project Type Dimension Table.
PPM_PROJECT_WORKFLOW_D	Project Workflow Dimension Table. Stores resolved dimension attributes data for project workflows.
PPM_REGION_D	Region Dimension Table.
PPM_ROOT_PROGRAM_D	Root Programs Table. Stores resolved dimension attributes data for root level programs.
PQM_AUDIT_CATEGORY_D	Audit Category Dimension Table. This Dimension table is conforming across Fact tables in Audit Subject Area. Out of the box, this table is mapped to the List configured to Category attribute of Audit Class of Agile PLM.
PQM_AUDIT_DEPARTMENT_D	Department Audited Dimension Table. This Dimension table is conforming across Fact tables in Audit Subject Area. Out of the box, this table is not populated with Agile PLM data. The table is populated only when the Agile PLM attributes are mapped using BI Configurator.
PQM_AUDIT_DOC_AUDITED_D	Document Audited Dimension Table. This Dimension table is conforming across Fact tables in Audit Subject Areas. Out of the box, this table is not populated with Agile PLM data. The table is populated only when the Agile PLM attributes are mapped using BI Configurator.
PQM_AUDIT_EXTRNL_AGENCY_D	Audit External Agencies Dimension Table. This Dimension table is conforming across Fact tables in Audit Subject Areas. Out of the box, this table is not populated with Agile PLM data. The table is populated only when the Agile PLM attributes are mapped using BI Configurator.
PQM_AUDIT_FINDING_TYPE_D	Audit Finding Types Dimension Table. This table is conforming across Fact tables in Audit Subject Areas. Out of the box, this table is not populated with Agile PLM data. The table is populated only when the Agile PLM attributes are mapped using BI Configurator.
PQM_AUDIT_FORM_D	Audit Form Dimension table. This table is conforming across Fact tables in Audit Subject Area. Out of the box, this table is not populated with Agile PLM data. The table is populated only when the Agile PLM attributes are mapped using BI Configurator.
PQM_AUDIT_LOCATION_D	Audit Locations Dimension Table. This table is conforming across Fact tables in Audit Subject Areas. Out of the box, this table is not populated with Agile PLM data. The table is populated only when the Agile PLM attributes are mapped using BI Configurator.

Entity	Description
PQM_AUDIT_MANUAL_SECTION_D	Audit Manual Section Dimension Table. This table is conforming across Fact tables in Audit Subject Area. Out of the box, this table is not populated with Agile PLM data. The table is populated only when the Agile PLM attributes are mapped using BI Configurator.
PQM_AUDIT_PRD_AUDITED_D	Product Audited Dimension Table. This table is conforming across Fact tables in Audit Subject Areas. Out of the box, this table is not populated with Agile PLM data. The table is populated only when the Agile PLM attributes are mapped using BI Configurator.
PQM_AUDIT_PRG_D	Audit Programs Dimension Table. This table is conforming across Fact tables in Audit Subject Areas. Out of the box, this table is not populated with Agile PLM data. The table is populated only when the Agile PLM attributes are mapped using BI Configurator.
PQM_AUDIT_PRIORITY_D	Audit Priorities Dimension Table. This table is conforming across Fact tables in Audit Subject Areas. Out of the box, this table is not populated with Agile PLM data. The table is populated only when the Agile PLM attributes are mapped using BI Configurator.
PQM_AUDIT_PROCESS_AUDITED_D	Audit Process Dimension Table. This table is conforming across Fact tables in Audit Subject Areas. Out of the box, this table is not populated with Agile PLM data. The table is populated only when the Agile PLM attributes are mapped using BI Configurator.
PQM_AUDIT_RESULT_D	Audit Results Dimension Table. This table is conforming across Fact tables in CAPA and Audit Subject Areas. Out of the box, this table is mapped to the List configured to Audit Result of Agile PLM.
PQM_AUDIT_STANDARD_D	Audit Standards Dimension Table. This table is conforming across Fact tables in Audit Subject Areas. Out of the box, this table is not populated with Agile PLM data. The table is populated only when the Agile PLM attributes are mapped using BI Configurator.
PQM_AUDIT_TYPE_D	Audit Type Dimension Table. This table is conforming across Fact tables in Audit Subject Area. Out of the box, the table is mapped to the Agile PLM type or subclass attribute of Audit Class.
PQM_AUDIT_WORKFLOW_D	Audit Workflow Dimension Table. This table is conforming across Fact tables in Audit Subject Area. Out of the box, this table contains all the Agile PLM workflows assigned to Audit and the states within each of the workflow.
PQM_CAPA_BUSINESS_RISK_D	Corrective and Preventive Actions (CAPA) Business Risks Dimension Table. This table is conforming across Fact tables in CAPA Subject Area. Out of the box, this table is not populated with Agile PLM data. The table is populated only when the Agile PLM attributes are mapped using BI Configurator.
PQM_CAPA_CATEGORY_D	CAPA Category Dimension Table. This table is conforming across Fact tables in CAPA Subject Area. Out of the box, the table is mapped to the Agile PLM List configured to Category attribute of CAPA Class.

Entity	Description
PQM_CAPA_CORRECTIVE_ACTION_D	CAPA Corrective Action Dimension Table. This table is conforming across Fact tables in CAPA Subject Area. Out of the box, this table is not populated with Agile PLM data. The table is populated only when the Agile PLM attributes are mapped using BI Configurator.
PQM_CAPA_FUNCTION_D	CAPA Functions Dimension Table. This table is conforming across Fact tables in CAPA Subject Area. Out of the box, this table is not populated with Agile PLM data. The table is populated only when the Agile PLM attributes are mapped using BI Configurator.
PQM_CAPA_LOCATION_D	CAPA Locations Dimension Table. This table is conforming across Fact tables in CAPA Subject Area. Out of the box, this table is not populated with Agile PLM data. The table is populated only when the Agile PLM attributes are mapped using BI Configurator.
PQM_CAPA_PRBL_SOL_METHOD_D	CAPA Problem Solving Methods Dimension Table. This table is conforming across Fact tables in CAPA Subject Area. Out of the box, this table is not populated with Agile PLM data. The table is populated only when the Agile PLM attributes are mapped using BI Configurator.
PQM_CAPA_PREVENTIVE_ACTION_D	CAPA Preventive Action Dimension Table. This table is conforming across Fact tables in CAPA Subject Area. Out of the box, this table is not populated with Agile PLM data. The table is populated only when the Agile PLM attributes are mapped using BI Configurator.
PQM_CAPA_PRIORITY_D	CAPA Priorities Dimension table. This table is conforming across Fact tables in CAPA Subject Area. Out of the box, this table is not populated with Agile PLM data. The table is populated only when the Agile PLM attributes are mapped using BI Configurator.
PQM_CAPA_QMS_SECTION_D	CAPA QMS Sections Dimension Table. This table is conforming across Fact tables in CAPA Subject Area. Out of the box, this table is not populated with Agile PLM data. The table is populated only when the Agile PLM attributes are mapped using BI Configurator.
PQM_CAPA_QMS_STANDARD_D	CAPA QMS Standards Dimension Table. This table is conforming across Fact tables in CAPA Subject Area. Out of the box, this table is not populated with Agile PLM data. The table is populated only when the Agile PLM attributes are mapped using BI Configurator.
PQM_CAPA_REG_RISK_D	CAPA Regulatory Risks Dimension Table. This table is conforming across Fact tables in CAPA Subject Area. Out of the box, this table is not populated with Agile PLM data. The table is populated only when the Agile PLM attributes are mapped using BI Configurator.
PQM_CAPA_ROOT_CAUSE_D	CAPA Root Cause Dimension Table. This table is conforming across Fact tables in CAPA Subject Area. Out of the box, this table is not populated with Agile PLM data. The table is populated only when the Agile PLM attributes are mapped using BI Configurator.
PQM_CAPA_TEAM_D	CAPA Teams Dimension Table. This table is conforming across Fact tables in CAPA Subject Area. Out of the box, this table is not populated with Agile PLM data. The table is populated only when the Agile PLM attributes are mapped using BI Configurator.

Entity	Description
PQM_CAPA_TYPE_D	CAPA Types or Subclasses Dimension table. This table is conforming across Fact tables in CAPA Subject Area. Out of the box, this table is mapped to the Agile PLM type or subclass attribute of CAPA Class.
PQM_CAPA_WORKFLOW_D	CAPA Workflow Dimension Table. This table is conforming across Fact tables in CAPA Subject Area. Out of the box, the table contains all the Agile PLM workflows assigned to CAPA and the states within each of the workflow.
PQM_LOCATION_D	Location Dimension table. This table is conforming across PQM. Out of the box, this table is not populated with Agile PLM data. The table is populated only when the Agile PLM attributes are mapped using BI Configurator.
PQM_NCR_CATEGORY_D	Non Conformance Report Category Dimension Table. This table is conforming across fact tables in NCR Subject Area. Out of the box, this table is mapped to the Agile PLM list configured to Category attribute of NCR Class.
PQM_NCR_CAUSE_D	NCR Cause Dimension Table. This table is conforming across Fact tables in NCR Subject Area. Out of the box, this table is not populated with Agile PLM data. The table is populated only when the Agile PLM attributes are mapped using BI Configurator.
PQM_NCR_DOC_D	NCR Documents Dimension Table. This table is conforming across Fact tables in NCR Subject Area. Out of the box, this table is not populated with Agile PLM data. The table is populated only when the Agile PLM attributes are mapped using BI Configurator.
PQM_NCR_FUNC_AREA_D	NCR Functional Areas Dimension Table. This table is conforming across Fact tables in NCR Subject Area. Out of the box, this table is not populated with Agile PLM data. The table is populated only when the Agile PLM attributes are mapped using BI Configurator.
PQM_NCR_INSPECTION_TYPE_D	NCR Inspection Types Dimension table. This table is conforming across Fact tables in NCR Subject Area. Out of the box, this table is not populated with Agile PLM data. The table is populated only when the Agile PLM attributes are mapped using BI Configurator.
PQM_NCR_MTRL_REVIEW_D	NCR Material Reviews Dimension Table. This table is conforming across Fact tables in NCR Subject Area. Out of the box, this table is not populated with Agile PLM data. The table is populated only when the Agile PLM attributes are mapped using BI Configurator.
PQM_NCR_PRG_TASK_D	NCR Program Tasks Dimension Table. This table is conforming across Fact tables in NCR Subject Area. Out of the box, this table is not populated with Agile PLM data. The table is populated only when the Agile PLM attributes are mapped using BI Configurator.
PQM_NCR_PRIORITY_D	NCR Priority Dimension table. This table is conforming across Fact tables in NCR Subject Area. Out of the box, this table is not populated with Agile PLM data. The table is populated only when the Agile PLM attributes are mapped using BI Configurator.

Entity	Description
PQM_NCR_PROBLEM_TYPE_D	NCR Problem Type Dimension Table. This table is conforming across Fact tables in NCR Subject Area. Out of the box, this table is not populated with Agile PLM data. The table is populated only when the Agile PLM attributes are mapped using BI Configurator.
PQM_NCR_PROGRAM_RELEASE_D	NCR Program Release Dimension Table. This table is conforming across Fact tables in NCR Subject Area. Out of the box, this table is not populated with Agile PLM data. The table is populated only when the Agile PLM attributes are mapped using BI Configurator.
PQM_NCR_QMS_D	NCR QMS Dimension Table. This table is conforming across Fact tables in NCR Subject Area. Out of the box, this table is not populated with Agile PLM data. The table is populated only when the Agile PLM attributes are mapped using BI Configurator.
PQM_NCR_QMS_SECTION_D	NCR Quality Management System Section Dimension Table. This table is conforming across Fact tables in NCR Subject Area. Out of the box, this table is not populated with Agile PLM data. The table is populated only when the Agile PLM attributes are mapped using BI Configurator.
PQM_NCR_REASON_CODE_D	NCR Reason Codes Dimension Table. This table is conforming across Fact tables in NCR Subject Area. Out of the box, this table is not populated with Agile PLM data. The table is populated only when the Agile PLM attributes are mapped using BI Configurator.
PQM_NCR_RESOLUTION_D	NCR Resolution Dimension Table. This table is conforming across Fact tables in NCR Subject Area. Out of the box, this table is not populated with Agile PLM data. The table is populated only when the Agile PLM attributes are mapped using BI Configurator.
PQM_NCR_RPT_FAILURE_TYPE_D	NCR Reported Failure Type Dimension Table. This table is conforming across Fact tables in NCR Subject Area. Out of the box, this table is not populated with Agile PLM data. The table is populated only when the Agile PLM attributes are mapped using BI Configurator.
PQM_NCR_SEVERITY_D	NCR Severity Dimension Table. This table is conforming across Fact tables in NCR Subject Area. Out of the box, this table is mapped to the Agile PLM List configured to Severity attribute of NCR Class.
PQM_NCR_SOURCE_D	NCR Sources Dimension table. This table is conforming across Fact tables in NCR Subject Area. Out of the box, this table is not populated with Agile PLM data. The table is populated only when the Agile PLM attributes are mapped using BI Configurator.
PQM_NCR_SUSP_FAILURE_TYPE_D	NCR Suspected Failure Type Dimension table. This table is conforming across Fact tables in NCR Subject Area. Out of the box, this table is not populated with Agile PLM data. The table is populated only when the Agile PLM attributes are mapped using BI Configurator.
PQM_NCR_TYPE_D	NCR Types Dimension Table. This table is conforming across Fact tables in NCR Subject Area. Out of the box, the table is mapped to the Agile PLM List configured to Types or subclass attribute of NCR Class.

Entity	Description
PQM_NCR_WORKFLOW_D	NCR Workflow Dimension Table. This table is conforming across Fact tables in NCR Subject Area. Out of the box, the table contains all the Agile PLM workflows assigned to NCR and the states within each of the workflow.
PQM_PRODUCTLINE_D	Product Lines Dimension Table. This table is conforming across fact tables in PQM Subject Area. Out of the box, the table mapped to the Agile PLM List configured to Product Line attribute in Product Quality object such as Complaints, NCRs, Audits and CAPAs.
PQM_PR_CALLER_TYPE_D	PR Caller Types Dimension Table. This table is conforming across Fact tables in PR Subject Area. Out of the box, this table is not populated with Agile PLM data. The table is populated only when the Agile PLM attributes are mapped using BI Configurator.
PQM_PR_CATEGORY_D	Problem Reports Category Dimension Table. This table is conforming across Fact tables in PR Subject Area. Out of the box, the table is mapped to the Agile PLM List configured to Category attribute of PR Class.
PQM_PR_CONTACT_MODE_D	PR Contact Modes Dimension Table. This table is conforming across Fact tables in PR Subject Area. Out of the box, this table is not populated with Agile PLM data. The table is populated only when the Agile PLM attributes are mapped using BI Configurator.
PQM_PR_DOC_D	PR Documents Dimension Table. This table is conforming across Fact tables in PR Subject Area. Out of the box, this table is not populated with Agile PLM data. The table is populated only when the Agile PLM attributes are mapped using BI Configurator.
PQM_PR_FUNC_AREA_D	PR Function Areas Dimension Table. This table is conforming across fact tables in PR Subject Area. Out of the box, this table is not populated with Agile PLM data. The table is populated only when the Agile PLM attributes are mapped using BI Configurator.
PQM_PR_ITEM_FAILURE_TYPE_D	PR Item Failure Types Dimension Table. This table is conforming across Fact tables in PR Item Subject Area. Out of the box, this table is not populated with Agile PLM data. The table is populated only when the Agile PLM attributes are mapped using BI Configurator.
PQM_PR_ITEM_FAIL_CAUSE_1_D	Item Failure Cause Dimension Table. This table is conforming across fact tables in PR Item Subject Area. Out of the box, this table is not populated with Agile PLM data. The table is populated only when the Agile PLM attributes are mapped using BI Configurator.
PQM_PR_ITEM_FAIL_CAUSE_2_D	Item Failure Cause Dimension Table. This table is conforming across fact tables in PR Item Subject Area. Out of the box, this table is not populated with Agile PLM data. The table is populated only when the Agile PLM attributes are mapped using BI Configurator.
PQM_PR_ITEM_FAIL_CAUSE_3_D	Item Failure Cause Dimension Table. This table is conforming across fact tables in PR Item Subject Area. Out of the box, this table is not populated with Agile PLM data. The table is populated only when the Agile PLM attributes are mapped using BI Configurator.

Entity	Description
PQM_PR_ITEM_FAIL_MFR_PART_D	PR Item Failed Manufacturer Parts Dimension Table. This table is conforming across Fact tables in PR Item Subject Area. Out of the box, this table is not populated with Agile PLM data. The table is populated only when the Agile PLM attributes are mapped using BI Configurator.
PQM_PR_ITEM_RPT_FAILURE_D	PR Item Reported for Failures Dimension Table. This table is conforming across Fact tables in PR Subject Area. Out of the box, this table is not populated with Agile PLM data. The table is populated only when the Agile PLM attributes are mapped using BI Configurator.
PQM_PR_ITEM_TLA_D	PR Item TLAs Dimension Table. This table is conforming across Fact tables in PR Subject Area. Out of the box, this table is not populated with Agile PLM data. The table is populated only when the Agile PLM attributes are mapped using BI Configurator.
PQM_PR_PRBL_REPD_D	PR Problem Reproduced Dimension Table. This table is conforming across Fact tables in PR Subject Area. Out of the box, this table is not populated with Agile PLM data. The table is populated only when the Agile PLM attributes are mapped using BI Configurator.
PQM_PR_PRG_D	PR Programs Dimension Table. This table is conforming across Fact tables in PR Subject Area. Out of the box, this table is not populated with Agile PLM data. The table is populated only when the Agile PLM attributes are mapped using BI Configurator.
PQM_PR_PRG_TASK_D	PR Program Tasks Dimension Table. This table is conforming across fact tables in PR Subject Area. Out of the box, this table is not populated with Agile PLM data. The table is populated only when the Agile PLM attributes are mapped using BI Configurator.
PQM_PR_PRIORITY_D	PR Priority Dimension Table. This table is conforming across Fact tables in PR Subject Area. Out of the box, this table is not populated with Agile PLM data. The table is populated only when the Agile PLM attributes are mapped using BI Configurator.
PQM_PR_PROBLEM_TYPE_D	PR Problem Type Dimension Table. This table is conforming across fact tables in PR Subject Area. Out of the box, this table is not populated with Agile PLM data. The table is populated only when the Agile PLM attributes are mapped using BI Configurator.
PQM_PR_QMS_D	PR QMS Dimension Table. This table is conforming across Fact tables in PR Subject Area. Out of the box, this table is not populated with Agile PLM data. The table is populated only when the Agile PLM attributes are mapped using BI Configurator.
PQM_PR_REASON_CODE_D	PR Reason Codes Dimension Table. This table is conforming across Fact tables in PR Subject Area. Out of the box, this table is not populated with Agile PLM data. The table is populated only when the Agile PLM attributes are mapped using BI Configurator.
PQM_PR_REG_RPT_TYPE_D	PR Regulatory Report Types Dimension Table. This table is conforming across Fact tables in PR Subject Area. Out of the box, this table is not populated with Agile PLM data. The table is populated only when the Agile PLM attributes are mapped using BI Configurator.

Entity	Description
PQM_PR_RESOLUTION_D	PR Dispositions Dimension Table. This table is conforming across fact tables in PR Subject Area. Out of the box, this table is not populated with Agile PLM data. The table is populated only when the Agile PLM attributes are mapped using BI Configurator.
PQM_PR_RPT_FAILURE_TYPE_D	PR Reported Failure Type Dimension Table. This table is conforming across Fact tables in PR Subject Area. Out of the box, this table is not populated with Agile PLM data. The table is populated only when the Agile PLM attributes are mapped using BI Configurator.
PQM_PR_SALES_REGION_D	PR Sales Regions Dimension Table. This table is conforming across Fact tables in PR Subject Area. Out of the box, this table is not populated with Agile PLM data. The table is populated only when the Agile PLM attributes are mapped using BI Configurator.
PQM_PR_SEVERITY_D	PR Severity Dimension Table. This table is conforming across Fact tables in PR Subject Area. Out of the box, the table is mapped to the Agile PLM List configured to Severity attribute of PR Class.
PQM_PR_SUSP_FAILURE_TY E_D	PR Suspected Failure Type Dimension Table. This table is conforming across Fact tables in PR Subject Area. Out of the box, this table is not populated with Agile PLM data. The table is populated only when the Agile PLM attributes are mapped using BI Configurator.
PQM_PR_TYPE_D	PR Types or Subclasses Dimension Table. This table is conforming across fact tables in PR Subject Area. Out of the box, the table is mapped to the Agile PLM List configured to Types or Subclasses attribute of PR Class.
PQM_PR_WORKFLOW_D	PR Workflow Dimension Table. This table is conforming across fact tables in PR Subject Area. Out of the box, the table contains all the Agile PLM workflows assigned to PR and the states within each of the workflow.
REVISION_CHANGE_TYPE_D	Revision Change Types for Item Dimension Table. This table is conforming across Fact tables in Item Subject Area. Out of the box, the table is mapped to the Agile PLM List configured to Revision Change Type attribute of Parts Class.
SITE_D	Sites Dimension Table. This table is conforming across PLM. Out of the box, the table is mapped to the Agile PLM Site Object in Agile PLM.
SUPPLIER_D	Suppliers Dimension Table. This table is conforming across PLM. Out of the box, the table is mapped to the Supplier Object in Agile PLM.
USER_D	Users Dimension Table. This table is conforming across PLM. Out of the box, the table is mapped to User Object in Agile PLM.
USER_SIGNOFF_TYPE_D	User Signoff Types Dimension Table. This table is conforming across PLM. Out of the box, the table is mapped to the Signoff User Types in Agile PLM.
W_DAY_D	Day Dimension Table. Stores time information for report calculations.

## Bridge Tables

Entity	Description
DOC_CONF_MGMT_3_B	Configuration Management Bridge table. Maintains data between DOC_CONF_MGMT_3_D table and Item fact to resolve many to many relationships. Out of the box, this table is not populated with Agile PLM data. The table is populated only when the Agile PLM attributes are mapped using BI Configurator.
DOC_ERP_3_B	Document ERP Bridge table. Maintains data between DOC_ERP_3_D table and Item fact to resolve many to many relationships. Out of the box, this table is not populated with Agile PLM data. The table is populated only when the Agile PLM Multilist type attribute is mapped to the corresponding column in the fact table using BI Configurator.
DOC_MANUF_3_B	Document Manufacturer Bridge table. Maintains data between DOC_MANUF_3_D table and Item fact to resolve many to many relationships. Out of the box, this table is not populated with Agile PLM data. The table is populated when the Agile PLM Multilist type attribute is mapped to the corresponding column in the fact table using BI Configurator.
DOC_PROD_ENG_3_B	Document Product Engineering Bridge table. Maintains data between DOC_PROD_ENG_3_D table and Item fact to resolve many to many relationships. Out of the box, this table is not populated with Agile PLM data. The data is populated when Agile PLM Multilist type attribute is mapped to the corresponding column in the fact table using the BI Configurator.
ITEM_COMMODITY_3_B	Item Commodity Bridge table. Maintains data between ITEM_COMMODITY_3_D table and Item fact to resolve many to many relationships. Out of the box, this table is not populated with Agile PLM data. The table is populated when the Agile PLM Multilist type attribute is mapped to the corresponding column in the fact table using BI Configurator.
ITEM_COMPLIANCE_3_B	Bridge Table. Maintains data between ITEM_COMPLIANCE_3_D table and Item fact to resolve many to many relationships. Out of the box, this table is not populated with Agile PLM data. data is populated when Agile PLM Multilist type attribute is mapped to the corresponding column in the fact table using BI Configurator.
ITEM_COMP_ENG_3_B	Bridge Table. Maintains data between ITEM_COMP_ENG_3_D table and Item fact to resolve many to many relationships. Out of the box, this table is not populated with Agile PLM data. The data is populated when Agile PLM Multilist type attribute is mapped to the corresponding column in the fact table using BI Configurator.
ITEM_CUST_SUPP_3_B	Item Customer Support Bridge table. Maintains data between ITEM_CUST_SUPP_3_D table and Item fact to resolve many to many relationships. Out of the box, this table is not populated with Agile PLM data. The data is populated when Agile PLM Multilist type attribute is mapped to the corresponding column in the fact table using BI Configurator.

Entity	Description
ITEM_ERP_3_B	Bridge Table. Maintains data between ITEM_ERP_3_D table and Item fact to resolve many to many relationships. Out of the box, this table is not populated with Agile PLM data. The table is populated when Agile PLM Multilist type attribute is mapped to the corresponding column in fact table using BI Configurator.
ITEM_PRODUCTLINE_B	Item Productline Bridge table. Maintains data between Item and Productline to resolve many to many relationships. Out of the box, this table is not populated with Agile PLM data. The table is populated when the Agile PLM Multilist type attribute is mapped to the corresponding column in the fact table using BI Configurator.
ITEM_PROD_ENG_3_B	Bridge Table. Maintains data between ITEM_PROD_ENG_3_D table and Item fact to resolve many to many relationships. Out of the box, this table is not populated with Agile PLM data. The table is populated when the Agile PLM Multilist type attribute is mapped to the corresponding column in the fact table using BI Configurator.
ITEM_SUPPLIER_B	Item Supplier Bridge table. Maintains data between Item fact and Supplier dimension to resolve many to many relationships. Out of the box, this table is not populated with Agile PLM data. The table is populated when the Agile PLM Multilist type attribute is mapped to the corresponding column in the fact table using BI Configurator.
MFR_PART_COMMODITY_3_B	Manufacturer Part Commodity Bridge Table. Maintains data between MFR_PART_COMMODITY_3_D table and Mfr Part fact to resolve many to many relationships. Out of the box, this table is not populated with Agile PLM data. The table is populated when the Agile PLM Multilist type attribute is mapped to the corresponding column in the fact table using BI Configurator.
MFR_PART_COMPLIANCE_3_B	Manufacturer Part Compliance Bridge table. Maintains data between MFR_PART_COMPLIANCE_3_D table and Mfr Part fact to resolve many to many relationships. Out of the box, this table is not populated with Agile PLM data. The table is populated when the Agile PLM Multilist type attribute is mapped to the corresponding column in the fact table using BI Configurator.
MFR_PART_COMP_ENG_3_B	Manufacturer Part Component Engineering Bridge table. Maintains data between MFR_PART_COMP_ENG_3_D table and Mfr Part fact to resolve many to many relationships. Out of the box, this table is not populated with Agile PLM data. The table is populated when the Agile PLM Multilist type attribute is mapped to the corresponding column in the fact table using BI Configurator.
MFR_PART_SUPPLIER_B	Manufacturer Part Supplier Bridge table. Maintains data between Manufacturer Part fact and Supplier Dimension to resolve many to many relationships. Out of the box, this table is not populated with Agile PLM data. The table is populated when the Agile PLM Multilist type attribute is mapped to the corresponding column in the fact table using BI Configurator.

Entity	Description
MFR_QMS_STANDARD_B	Manufacturer QMS Standards Bridge Table. Maintains data between MFR_QMS_STANDARD_D table and Manufacturer Part fact to resolve many to many relationships. Out of the box, this table is not populated with Agile PLM data. The table is populated when the Agile PLM Multilist type attribute is mapped to the corresponding column in the fact table using BI Configurator.
MFR_REGION_B	Manufacturer Region Bridge Table. Maintains data between MFR_REGION_D table and Mfr Part fact to resolve many to many relationships. Out of the box, this table is not populated with Agile PLM data. The table is populated when the Agile PLM Multilist type attribute is mapped to the corresponding column in the fact table using BI Configurator.
PC_ECO_CUSTOMER_B	ECO Customer Bridge Table. Maintains data between ECO fact and Customer dimension to resolve many to many relationships. Out of the box, this table is not populated with Agile PLM data. The table is populated when the Agile PLM Multilist type attribute is mapped to the corresponding column in the fact table using BI Configurator.
PC_ECO_ITEM_PRODUCTLINE_B	ECO Item Productline Bridge Table. Maintains data between ECO fact and Item Productline dimension to resolve many to many relationships. Out of the box, this table is not populated with Agile PLM data. The table is populated when the Agile PLM Multilist type attribute is mapped to the corresponding column in the fact table using BI Configurator.
PC_ECO_MANUF_OWNER_B	ECO Manufacturer Owner Bridge Table. Maintains data between ECO fact and Manufacturer Owner dimension to resolve many to many relationships. Out of the box, this table is not populated with Agile PLM data. The table is populated when the Agile PLM Multilist type attribute is mapped to the corresponding column in the fact table using BI Configurator.
PC_ECO_MFRLOCIMPACT_B	ECO Manufacturing Location Impact Bridge Table. Maintains data between ECO fact and Manufacturer Location Impact dimension Impact to resolve many to many relationships. Out of the box, this table is not populated with Agile PLM data. The table is populated when the Agile PLM Multilist type attribute is mapped to the corresponding column in the fact table using BI Configurator.
PC_ECO_PRGTASK_B	ECO Bridge Table. Maintains data between ECO fact and Program Task dimension to resolve many to many relationships. Out of the box, this table is not populated with Agile PLM data. The table is populated when the Agile PLM Multilist type attribute is mapped to the corresponding column in the fact table using BI Configurator.
PC_ECO_PRODUCTLINE_B	ECO Productline Bridge Table. Maintains data between ECO fact and Productline dimension to resolve many to many relationships. Out of the box, this table is not populated with Agile PLM data. The table is populated when the Agile PLM Multilist type attribute is mapped to the corresponding column in the fact table using BI Configurator.

Entity	Description
PC_ECO_PROGRAM_B	ECO Program Bridge Table. Maintains data between ECO fact and Program dimension to resolve many to many relationships. Out of the box, this table is not populated with Agile PLM data. The table is populated when the Agile PLM Multilist type attribute is mapped to the corresponding column in the fact table using BI Configurator.
PC_ECO_QUALITY_OWNER_B	ECO Quality Owner Bridge Table. Maintains data between ECO fact and Quality Owner dimension to resolve many to many relationships. Out of the box, this table is not populated with Agile PLM data. The table is populated when the Agile PLM Multilist type attribute is mapped to the corresponding column in the fact table using BI Configurator.
PC_ECO_SALESREGIMPACT_B	ECO Sales Region Impact Bridge Table. Maintains data between ECO fact and Sales Region Impact dimension to resolve many to many relationships. Out of the box, this table is not populated with Agile PLM data. The table is populated when the Agile PLM Multilist type attribute is mapped to the corresponding column in the fact table using BI Configurator.
PC_ECO_SC_OWNER_B	ECO SC Owner Bridge Table. Maintains data between ECO fact and SC Owner dimension to resolve many to many relationships. Out of the box, this table is not populated with Agile PLM data. The table is populated when the Agile PLM Multilist type attribute is mapped to the corresponding column in the fact table using BI Configurator.
PC_ECO_SIGNOFF_B	ECO Signoff Bridge Table. Maintains data between ECO and Signoff to resolve many to many relationships. Out of the box, this table is not populated with Agile PLM data. The table is populated when the Agile PLM Multilist type attribute is mapped to the corresponding column in the fact table using BI Configurator.
PC_ECO_SUPPLIER_B	ECO Supplier Bridge Table. Maintains data between ECO and Supplier to resolve many to many relationships. Out of the box, this table is not populated with Agile PLM data. The table is populated when the Agile PLM Multilist type attribute is mapped to the corresponding column in the fact table using BI Configurator.
PC_ECR_CUSTOMER_B	ECR Customer Bridge Table. Maintains data between ECR fact and Customer dimension to resolve many to many relationships. Out of the box, this table is not populated with Agile PLM data. The table is populated when the Agile PLM Multilist type attribute is mapped to the corresponding column in the fact table using BI Configurator.
PC_ECR_ITEM_PRODUCTLINE_B	ECR Item Productline Bridge Table. Maintains data between ECR fact and Item Productline dimension to resolve many to many relationships. Out of the box, this table is not populated with Agile PLM data. The table is populated when the Agile PLM Multilist type attribute is mapped to the corresponding column in the fact table using BI Configurator.

Entity	Description
PC_ECR_MANUF_OWNER_B	ECR Manufacturer Owner Bridge Table. Maintains data between ECR fact and Manufacturer Owner dimension to resolve many to many relationships. Out of the box, this table is not populated with Agile PLM data. The table is populated when the Agile PLM Multilist type attribute is mapped to the corresponding column in the fact table using BI Configurator.
PC_ECR_MFRLOCIMPACT_B	ECR Manufacturer Locations Impacted Bridge Table. Maintains data between ECR fact and Manufacturer Location Impact dimension Impact to resolve many to many relationships. Out of the box, this table is not populated with Agile PLM data. The table is populated when the Agile PLM Multilist type attribute is mapped to the corresponding column in the fact table using BI Configurator.
PC_ECR_PRGTASK_B	ECR Program Task Bridge Table. Maintains data between ECR fact and Program Task dimension to resolve many to many relationships. Out of the box, this table is not populated with Agile PLM data. The table is populated when the Agile PLM Multilist type attribute is mapped to the corresponding column in the fact table using BI Configurator.
PC_ECR_PRODUCTLINE_B	ECR Productline Bridge Table. Maintains data between ECR fact and Productline dimension to resolve many to many relationships. Out of the box, this table is not populated with Agile PLM data. The table is populated when the Agile PLM Multilist type attribute is mapped to the corresponding column in the fact table using BI Configurator.
PC_ECR_PROGRAM_B	ECR Programs Bridge Table. Maintains data between ECR fact and Program dimension to resolve many to many relationships. Out of the box, this table is not populated with Agile PLM data. The table is populated when the Agile PLM Multilist type attribute is mapped to the corresponding column in the fact table using BI Configurator.
PC_ECR_QUALITY_OWNER_B	ECR Quality Owner Bridge Table. Maintains data between ECR fact and Quality Owner dimension to resolve many to many relationships. Out of the box, this table is not populated with Agile PLM data. The table is populated when the Agile PLM Multilist type attribute is mapped to the corresponding column in the fact table using BI Configurator.
PC_ECR_SALESREGIMPACT_B	ECR Sales Region Impacted Bridge Table. Maintains data between ECR fact and Sales Region Impact dimension to resolve many to many relationships. Out of the box, this table is not populated with Agile PLM data. The table is populated when the Agile PLM Multilist type attribute is mapped to the corresponding column in the fact table using BI Configurator.
PC_ECR_SC_OWNER_B	ECR SC Owner Bridge Table. Maintains data between ECR fact and SC Owner dimension to resolve many to many relationships. Out of the box, this table is not populated with Agile PLM data. The table is populated when the Agile PLM Multilist type attribute is mapped to the corresponding column in the fact table using BI Configurator.

Entity	Description
PC_ECR_SIGNOFF_B	ECR Signoff Bridge Table. Maintains data between ECR and Signoff to resolve many to many relationships. Out of the box, this table is not populated with Agile PLM data. The table is populated when the Agile PLM Multilist type attribute is mapped to the corresponding column in the fact table using BI Configurator.
PC_ECR_SUPPLIER_B	ECR Supplier Bridge Table. Maintains data between ECR and Supplier to resolve many to many relationships. Out of the box, this table is not populated with Agile PLM data. The table is populated when the Agile PLM Multilist type attribute is mapped to the corresponding column in the fact table using BI Configurator.
PC_MCO_CUSTOMER_B	MCE Customer Bridge Table. Maintains data between MCO fact and Customer dimension to resolve many to many relationships. Out of the box, this table is not populated with Agile PLM data. The table is populated when the Agile PLM Multilist type attribute is mapped to the corresponding column in the fact table using BI Configurator.
PC_MCO_ITEM_PRODUCTLINE_B	MCO Item Productline Bridge Table. Maintains data between MCO fact and Item Productline dimension to resolve many to many relationships. Out of the box, this table is not populated with Agile PLM data. The table is populated when the Agile PLM Multilist type attribute is mapped to the corresponding column in the fact table using BI Configurator.
PC_MCO_MANUF_OWNER_B	MCO Manufacturer Owner Bridge Table. Maintains data between MCO fact and Manufacturer Owner dimension to resolve many to many relationships. Out of the box, this table is not populated with Agile PLM data. The table is populated when the Agile PLM Multilist type attribute is mapped to the corresponding column in the fact table using BI Configurator.
PC_MCO_MFRLOCIMPACT_B	MCO Manufacturer Locations Impacted Bridge Table. Maintains data between MCO fact and Manufacturer Location Impact dimension Impact to resolve many to many relationships. Out of the box, this table is not populated with Agile PLM data. The table is populated when the Agile PLM Multilist type attribute is mapped to the corresponding column in the fact table using BI Configurator.
PC_MCO_PRGTASK_B	MCO Program Task Bridge Table. Maintains data between MCO fact and Program Task dimension to resolve many to many relationships. Out of the box, this table is not populated with Agile PLM data. The table is populated when the Agile PLM Multilist type attribute is mapped to the corresponding column in the fact table using BI Configurator.
PC_MCO_PRODUCTLINE_B	MCO Productline Bridge Table. Maintains data between MCO fact and Productline dimension to resolve many to many relationships. Out of the box, this table is not populated with Agile PLM data. The table is populated when the Agile PLM Multilist type attribute is mapped to the corresponding column in the fact table using BI Configurator.

Entity	Description
PC_MCO_PROGRAM_B	MCO Programs Bridge Table. Maintains data between MCO fact and Program dimension to resolve many to many relationships. Out of the box, this table is not populated with Agile PLM data. The table is populated when the Agile PLM Multilist type attribute is mapped to the corresponding column in the fact table using BI Configurator.
PC_MCO_QUALITY_OWNER_B	MCO Quality Owner Bridge Table. Maintains data between MCO fact and Quality Owner dimension to resolve many to many relationships. Out of the box, this table is not populated with Agile PLM data. The table is populated when the Agile PLM Multilist type attribute is mapped to the corresponding column in the fact table using BI Configurator.
PC_MCO_SALESREGIMPACT_B	MCO Sales Regions Impacted Bridge Table. Maintains data between MCO fact and Sales Region Impact dimension to resolve many to many relationships. Out of the box, this table is not populated with Agile PLM data. The table is populated when the Agile PLM Multilist type attribute is mapped to the corresponding column in the fact table using BI Configurator.
PC_MCO_SC_OWNER_B	MCO SC Owner Bridge Table. Maintains data between MCO fact and SC Owner dimension to resolve many to many relationships. Out of the box, this table is not populated with Agile PLM data. The table is populated when the Agile PLM Multilist type attribute is mapped to the corresponding column in the fact table using BI Configurator.
PC_MCO_SIGNOFF_B	MCO Signoff Bridge Table. Maintains data between MCO and Signoff to resolve many to many relationships. Out of the box, this table is not populated with Agile PLM data. The table is populated when the Agile PLM Multilist type attribute is mapped to the corresponding column in the fact table using BI Configurator.
PC_MCO_SUPPLIER_B	MCO Supplier Bridge Table. Maintains data between MCO and Supplier to resolve many to many relationships. Out of the box, this table is not populated with Agile PLM data. The table is populated when the Agile PLM Multilist type attribute is mapped to the corresponding column in the fact table using BI Configurator.
PC_SS_CUSTOMER_B	Stop Ship Customer Bridge Table. Maintains data between SS fact and Customer dimension to resolve many to many relationships. Out of the box, this table is not populated with Agile PLM data. The table is populated when the Agile PLM Multilist type attribute is mapped to the corresponding column in the fact table using BI Configurator.
PC_SS_ITEM_PRODUCTLINE_B	Stop Ship Item Productline Bridge Table. Maintains data between SS fact and Item Productline dimension to resolve many to many relationships. Out of the box, this table is not populated with Agile PLM data. The table is populated when the Agile PLM Multilist type attribute is mapped to the corresponding column in the fact table using BI Configurator.

Entity	Description
PC_SS_MANUF_OWNER_B	Stop Ship Manufacturer Owner Bridge Table. Maintains data between SS fact and Manufacturer Owner dimension to resolve many to many relationships. Out of the box, this table is not populated with Agile PLM data. The table is populated when the Agile PLM Multilist type attribute is mapped to the corresponding column in the fact table using BI Configurator.
PC_SS_MFRLOCIMPACT_B	Stop Ship Manufacturing Locations Impacted Bridge Table. Maintains data between SS fact and Manufacturer Location Impact dimension Impact to resolve many to many relationships. Out of the box, this table is not populated with Agile PLM data. The table is populated when the Agile PLM Multilist type attribute is mapped to the corresponding column in the fact table using BI Configurator.
PC_SS_PRGTASK_B	Stop Ship Bridge Table. Maintains data between SS fact and Program Task dimension to resolve many to many relationships. Out of the box, this table is not populated with Agile PLM data. The table is populated when the Agile PLM Multilist type attribute is mapped to the corresponding column in the fact table using BI Configurator.
PC_SS_PRODUCTLINE_B	Stop Ship Productline Bridge Table. Maintains data between SS fact and Productline dimension to resolve many to many relationships. Out of the box, this table is not populated with Agile PLM data. The table is populated when the Agile PLM Multilist type attribute is mapped to the corresponding column in the fact table using BI Configurator.
PC_SS_PROGRAM_B	Stop Ship Program Bridge Table. Maintains data between SS fact and Program dimension to resolve many to many relationships. Out of the box, this table is not populated with Agile PLM data. The table is populated when the Agile PLM Multilist type attribute is mapped to the corresponding column in the fact table using BI Configurator.
PC_SS_QUALITY_OWNER_B	Stop Ship Quality Owner Bridge Table. Maintains data between SS fact and Quality Owner dimension to resolve many to many relationships. Out of the box, this table is not populated with Agile PLM data. The table is populated when the Agile PLM Multilist type attribute is mapped to the corresponding column in the fact table using BI Configurator.
PC_SS_SALESREGIMPACT_B	Stop Ship Sales Regions Impacted Bridge Table. Maintains data between SS fact and Sales Region Impact dimension to resolve many to many relationships. Out of the box, this table is not populated with Agile PLM data. The table is populated when the Agile PLM Multilist type attribute is mapped to the corresponding column in the fact table using BI Configurator.
PC_SS_SC_OWNER_B	Stop Ship SC Owner Bridge Table. Maintains data between SS fact and SC Owner dimension to resolve many to many relationships. Out of the box, this table is not populated with Agile PLM data. The table is populated when the Agile PLM Multilist type attribute is mapped to the corresponding column in the fact table using BI Configurator.

Entity	Description
PC_SS_SIGNOFF_B	Stop Ship Signoff Bridge Table. Maintains data between SS and Signoff to resolve many to many relationships. Out of the box, this table is not populated with Agile PLM data. The table is populated when the Agile PLM Multilist type attribute is mapped to the corresponding column in the fact table using BI Configurator.
PC_SS_SUPPLIER_B	Stop Ship Supplier Bridge Table. Maintains data between SS and Supplier to resolve many to many relationships. Out of the box, this table is not populated with Agile PLM data. The table is populated when the Agile PLM Multilist type attribute is mapped to the corresponding column in the fact table using BI Configurator.
PLM_ACTIVITY_OWNER_B	Activities Owner Bridge Table. Maintains many to many relationships between activities, activity owners and the functional areas of the activity owners of Agile PLM.
PLM_ACTIVITY_TPL_OWNER_B	Activities Template Owner Bridge Table. Maintains many to many relationships between activities and template owners of Agile PLM.
PLM_ACT_STEP_NOTIFIER_B	Activities Step Notifier Bridge Table. Maintains many to many relationships between step notifiers, activity workflows, activities and functional areas of Agile PLM.
PLM_ACT_STEP_OWNER_B	Activities Step Owner Bridge Table. Maintains many to many relationships between activities, activity workflows, step owners and functional areas of Agile PLM.
PLM_ACT_STEP_SIGNATORY_B	Activities Step Signatory Bridge Table. Maintains many to many relationships between step signatories, activity workflows, activities and functional areas of Agile PLM.
PLM_GATE_SIGNATORY_B	Gate Signatory Bridge Table. Maintains many to many relationships between gates, signatories and functional areas.
PLM_PHASE_FUNC_AREA_B	Functional Areas and Phases Bridge Table. Maintains many to many relationships between functional areas and phases.
PLM_PHASE_GATE_KEEPER_B	Phases and Gate Keepers Bridge Table. Maintains many to many relationships between phases and gate keepers.
PLM_PHASE_REVIEWER_B	Phases and Reviewers Bridge Table. Maintains many to many relationships between phases and reviewers.
PLM_PHASE_TEAM_LEADER_B	Phases and Team Leaders Bridge Table. Maintains many to many relationships between phases and team leaders.
PLM_PHASE_TEAM_MEM_B	Phases and Team Members Bridge Table. Maintains many to many relationships between phases and team members.
PLM_PRJ_BRAND_B	Projects and Brands Bridge Table. Maintains many to many relationships between projects and brands.
PLM_PRJ_BUS_UNIT_B	Projects and Business Units Bridge Table. Maintains many to many relationships between projects and business units.
PLM_PRJ_CHANNEL_B	Projects and Channels Bridge Table. Maintains many to many relationships

Entity	Description
	between projects and channels.
PLM_PRJ_DEMOGRAPH_B	Projects and Demographics Bridge Table. Maintains many to many relationships between projects and demographics.
PLM_PRJ_FUNC_AREA_B	Projects and Functional Areas Bridge Table. Maintains many to many relationships between projects and functional areas.
PLM_PRJ_GATE_KEEPER_B	Projects and Gate Keepers Bridge Table. Maintains many to many relationships between projects and gate keepers.
PLM_PRJ_GLOBAL_CAT_B	Projects and Global Categories Bridge Table. Maintains many to many relationships between projects and global categories.
PLM_PRJ_ISP_B	Projects and ISP Bridge Table. Maintains many to many relationships between projects and ISP titles.
PLM_PRJ_LEAD_CNTRY_B	Project Lead Countries Bridge Table. Maintains many to many relationships between projects and lead countries.
PLM_PRJ_REVIEWER_B	Project Reviewers Bridge table. Maintains many to many relationships between projects and reviewers.
PLM_PRJ_STRAT_BRIEF_B	Project Strategic Briefs Bridge Table. Maintains many to many relationships between projects and strategic briefs.
PLM_PRJ_TEAM_LEADER_B	Project Team leaders Bridge Table. Maintains many to many relationships between projects and team leaders.
PLM_PRJ_TEAM_MEM_B	Project Team Members Bridge Table. Maintains many to many relationships between projects and team members.
PLM_PRJ_TRADE_SPEC_B	Project Trade Specifications Bridge Table. Maintains many to many relationships between project trade specifications and the projects.
PLM_PRJ_TYPE_B	Project Types Bridge Table. Maintains many to many relationships between projects, project templates and the project types.
PLM_PRJ_VISIBILITY_B	Project Visibility Bridge Table. Maintains many to many relationships between the project visibilities and the projects.
PLM_SPEC_BUS_UNIT_B	Business Units and Specifications Bridge Table. Maintains many to many relationships between specifications and business units.
PLM_SPEC_CLASSIFY_B	Classifications and Specifications Bridge Table. Maintains many to many relationships between specifications and the classifications.
PLM_SPEC_CNTRY_ORIGIN_B	Country of Origin and Specifications Bridge Table. Maintains many to many relationships between the countries of origin and specifications.
PLM_SPEC_LANG_B	Language and Specifications Bridge Table. Maintains many to many relationships between printed packaging and the printed packaging languages.
PLM_SPEC_MAT_TYPE_B	Material Type and Specifications Bridge Table. Maintains many to many relationships between the ingredient specifications and material types.

Entity	Description
PLM_SPEC_MENU_CLASS_B	Menu Classes and Specifications Bridge Table. Maintains many to many relationships between the menu item classes and menu items.
PLM_SPEC_SHIP_COND_B	Shipping Conditions Bridge Table. Maintains many to many relationships between products and shipping conditions.
PLM_SPEC_SHIP_REQ_B	Specifications and Shipping Requirements Bridge Table. Maintains many to many relationships between ingredient shipping requirements and the specifications.
PLM_SPEC_SPCL_ATTR_B	Specifications and Special Attributes Bridge Table. Maintains many to many relationships between specifications and special attributes.
PLM_SPEC_STEP_OWNER_B	Specification Steps and Owners. Bridge Table. Maintains many to many relationships between specification steps and owners.
PLM_SPEC_STOR_REQ_B	Specifications and Storage Requirements Bridge Table. Maintains many to many relationships between specifications and storage requirements.
PLM_SPEC_SUB_RECT_B	Specification and Substitute Restrictions Bridge Table. Maintain many to many relationships between specifications and substitute restrictions.
PLM_SPEC_SYS_EQUIVALENT_B	Specification System Equivalent Bridge Table. Maintains many to many relationships between system equivalents and specifications.
PPM_ACTIVITY_PLM_REFEREN CE_B	Activity Reference Bridge Table. Maintains many to many relationships between PPM references and activities.
PPM_ACT_DEPACT_B	Bridge table maintains many to many relationships for dependant activities.
PPM_ACT_PROGRAMS_B	Activities and Programs Bridge Table. Maintains many to many relationships between program data and activities.
PPM_CATEGORY10_B	Category Bridge Table. Maintains many to many relationships between category data and activities.
PPM_CATEGORY11_B	Category Bridge Table. Maintains many to many relationships between category data and activities.
PPM_CATEGORY12_B	Category Bridge Table. Maintains many to many relationships between category data and activities.
PPM_CATEGORY13_B	Category Bridge Table. Maintains many to many relationships between category data and activities.
PPM_CATEGORY14_B	Category Bridge Table. Maintains many to many relationships between category data and activities.
PPM_CATEGORY15_B	Category Bridge Table. Maintains many to many relationships between category data and activities.
PPM_CATEGORY16_B	Category Bridge Table. Maintains many to many relationships between category data and activities.
PPM_CATEGORY17_B	Category Bridge Table. Maintains many to many relationships between category data and activities.

Entity	Description
PPM_CATEGORY18_B	Category Bridge Table. Maintains many to many relationships between category data and activities.
PPM_CATEGORY19_B	Category Bridge Table. Maintains many to many relationships between category data and activities.
PPM_CATEGORY20_B	Category Bridge Table. Maintains many to many relationships between category data and activities.
PPM_CATEGORY21_B	Category Bridge Table. Maintains many to many relationships between category data and activities.
PPM_CATEGORY22_B	Category Bridge Table. Maintains many to many relationships between category data and activities.
PPM_CATEGORY23_B	Category Bridge Table. Maintains many to many relationships between category data and activities.
PPM_CATEGORY24_B	Category Bridge Table. Maintains many to many relationships between category data and activities.
PPM_CATEGORY7_B	Category Bridge Table. Maintains many to many relationships between category data and activities.
PPM_CATEGORY8_B	Category Bridge Table. Maintains many to many relationships between category data and activities.
PPM_CATEGORY9_B	Category Bridge Table. Maintains many to many relationships between category data and activities.
PPM_CUSTOMER_B	Customer Bridge Table. Maintains many to many relationships between customer data and activities.
PPM_DEL_TAG_B	Deliverable Tags Bridge Table. Maintains many to many relationships between deliverables and deliverable tags.
PPM_DIVISION_B	Division Bridge Table. Maintains many to many relationships between division data and activities.
PPM_FUNC_AREA_B	Functional Area Bridge Table. Maintains many to many relationships between activities and functional areas.
PPM_INT_ORGANIZATION_B	Internal Organization Bridge Table. Maintains many to many relationships between internal organization data and activities.
PPM_ITEM_B	Item Bridge Table. Maintains many to many relationships between item data and activities.
PPM_LAUNCH_YEAR_B	Launch Year Bridge Table. Maintains many to many relationships between launch year data and activities.
PPM_LOCATION_B	Location Bridge Table. Maintains many to many relationships between location data and activities.
PPM_PRODUCT_LINE_B	Product Line Bridge Table. Maintains many to many relationships between product line Multilist data and projects.

Entity	Description
PPM_PROJECT_PORTFOLIO_B	Project Portfolio Bridge Table. Maintains many to many relationships between projects and portfolios.
PPM_PROJECT_PROGRAM_B	Project Program Bridge Table. Maintains many to many relationships between projects and programs.
PPM_PROJECT_TYPE_B	Project Type Bridge Table. Maintains many to many relationships between project types and activities.
PPM_REGION_B	Region Bridge Table. Maintains many to many relationships between regions data and activities.
PQM_AUDIT_CUSTOMER_B	Audit Customer Bridge Table. Maintains data between Audit and Customer to resolve many to many relationships. Out of the box, this table is not populated with Agile PLM data. Data is populated when Agile PLM Multilist type attribute is configured to the corresponding column in the Fact table using BI Configurator.
PQM_AUDIT_DOC_AUDITED_B	Audit and Document Audited Bridge Table. Maintains data between Audit and Document Audited to resolve Many to many relationships. Out of the box, this table is not populated with Agile PLM data. Data is populated when Agile PLM Multilist type attribute is configured to corresponding column in the Fact table using BI Configurator.
PQM_AUDIT_FINDING_TYPE_B	Audit Finding Type Bridge Table. Maintains data between Audit and Finding Type to resolve Many to many relationships. Out of the box, this table is not populated with Agile PLM data. Data is populated when Agile PLM Multilist type attribute is configured to corresponding column in the Fact table using BI Configurator.
PQM_AUDIT_ITEM_PRODUCTLINE_B	Audit Item Productline Bridge Table. Maintains data between Audit Item Fact table and Item Productline Dimension table to resolve many to many relationships. Out of the box, this table is not populated with Agile PLM data. Data is populated when Agile PLM Multilist type attribute is configured to corresponding column in the Fact table using BI Configurator.
PQM_AUDIT_PRD_AUDITED_B	Audit and Product Audited Bridge Table. Maintains data between Audit and Audited Product to resolve Many to many relationships. Out of the box, this table is not populated with Agile PLM data. The table is populated when Agile PLM Multilist type attribute is configured to corresponding column in the Fact table using BI Configurator.
PQM_AUDIT_PRG_B	Audit Program Bridge Table. Maintains data between Audit and Audited Program to resolve Many to many relationships. Out of the box, this table is not populated with Agile PLM data. The table is populated when Agile PLM Multilist type attribute is configured to the corresponding column in the Fact table using BI Configurator.
PQM_AUDIT_PROCESS_AUDITED_B	Audit and Process Audited Bridge Table. Maintains data between Audit and Audited Process to resolve Many to many relationships. Out of the box, this table is not populated with Agile PLM data. The table is populated when Agile PLM Multilist type attribute is configured to corresponding column in the Fact table using BI Configurator.

Entity	Description
PQM_AUDIT_PRODUCTLINE_B	Audit Productline Bridge Table. Maintains data between Audit and Productline to resolve Many to many relationships. Out of the box, this table is not populated with Agile PLM data. The table is populated when Agile PLM Multilist type attribute is configured to corresponding column in the Fact table using BI Configurator.
PQM_AUDIT_SUPPLIER_B	Audit and Supplier Bridge Table. Maintains data between Audit and Supplier to resolve Many to many relationships. Out of the box, this table is not populated with Agile PLM data. The table is populated when Agile PLM Multilist type attribute is configured to corresponding column in the Fact table using BI Configurator.
PQM_CAPA_CUSTOMER_B	CAPA Customer Bridge Table. Maintains data between CAPA and Customer to resolve many to many relationships. Out of the box, this table is not populated with Agile PLM data. The table is populated when Agile PLM Multilist type attribute is configured to corresponding column in the Fact table using BI Configurator.
PQM_CAPA_FUNCTION_B	CAPA Function Bridge Table. Maintains data between CAPA and Function to resolve Many to many relationships. Out of the box, this table is not populated with Agile PLM data. The table is populated when Agile PLM Multilist type attribute is configured to corresponding column in the Fact table using BI Configurator.
PQM_CAPA_ITEM_PRODUCTLINE_B	CAPA Item Productline Bridge Table. Maintains data between CAPA Item fact table and Item Productline dimension table to resolve many to many relationships. Out of the box, this table is not populated with Agile PLM data. The table is populated when Agile PLM Multilist type attribute is configured to corresponding column in the Fact table using BI Configurator.
PQM_CAPA_PRODUCTLINE_B	CAPA Productline Bridge Table. Maintains data between CAPA and Productline to resolve many to many relationships. Out of the box, this table is not populated with Agile PLM data. The table is populated when Agile PLM Multilist type attribute is configured to corresponding column in the Fact table using BI Configurator.
PQM_CAPA_QMS_SECTION_B	CAPA QMS Section Bridge Table. Maintains data between CAPA and QMS Section to resolve Many to many relationships. Out of the box, this table is not populated with Agile PLM data. The table is populated when Agile PLM Multilist type attribute is configured to corresponding column in the Fact table using BI Configurator.
PQM_CAPA_QMS_STANDARD_B	CAPA QMS Standards Bridge Table. Maintains data between CAPA and QMS Standard to resolve Many to many relationships. Out of the box, this table is not populated with Agile PLM data. The table is populated when Agile PLM Multilist type attribute is configured to corresponding column in the Fact table using BI Configurator.
PQM_CAPA_SUPPLIER_B	CAPA Supplier Bridge Table. Maintains data between CAPA and Supplier to resolve Many to many relationships. Out of the box, this table is not populated with Agile PLM data. The table is populated when Agile PLM Multilist type attribute is configured to corresponding column in the Fact

Entity	Description
	table using BI Configurator.
PQM_CAPA_TEAM_B	CAPA Team Bridge Table. Maintains data between CAPA and team to resolve Many to many relationships. Out of the box, this table is not populated with Agile PLM data. The table is populated when Agile PLM Multilist type attribute is configured to corresponding column in the Fact table using BI Configurator.
PQM_NCR_CUSTOMER_B	NCR Customer Bridge Table. Maintains data between NCR and Customer to resolve Many to many relationships. Out of the box, this table is not populated with Agile PLM data. The table is populated when Agile PLM Multilist type attribute is configured to corresponding column in the Fact table using BI Configurator.
PQM_NCR_DOC_B	NCR Documents Bridge Table. Maintains data between NCR and Documents to resolve Many to many relationships. Out of the box, this table is not populated with Agile PLM data. The table is populated when Agile PLM Multilist type attribute is configured to corresponding column in the Fact table using BI Configurator.
PQM_NCR_FUNC_AREA_B	NCR Functional Area Bridge Table. Maintains data between NCR and Functional Area to resolve Many to many relationships. Out of the box, this table is not populated with Agile PLM data. The table is populated when Agile PLM Multilist type attribute is configured to corresponding column in the Fact table using BI Configurator.
PQM_NCR_ITEM_PRODUCTLINE_B	NCR Item Productline Bridge Table. Maintains data between NCR Item fact table and Item Productline dimension table to resolve Many to many relationships. Out of the box, this table is not populated with Agile PLM data. The table is populated when Agile PLM Multilist type attribute is configured to corresponding column in fact table using BI Configurator.
PQM_NCR_PRG_TASK_B	NCR Program Tasks Bridge Table. Maintains data between NCR and Program Task to resolve Many to many relationships. Out of the box, this table is not populated with Agile PLM data. The table is populated when Agile PLM Multilist type attribute is configured to corresponding column in the Fact table using BI Configurator.
PQM_NCR_PRODUCTLINE_B	NCR Productline Bridge Table. Maintains data between NCR and Productline to resolve Many to many relationships. Out of the box, this table is not populated with Agile PLM data. The table is populated when Agile PLM Multilist type attribute is configured to corresponding column in the Fact table using BI Configurator.
PQM_NCR_QMS_B	NCR QMS Bridge Table. Maintains data between NCR and QMS to resolve Many to many relationships. Out of the box, this table is not populated with Agile PLM data. The table is populated when Agile PLM Multilist type attribute is configured to corresponding column in the Fact table using BI Configurator.

Entity	Description
PQM_NCR_SUPPLIER_B	NCR Supplier Bridge Table. Maintains data between NCR and Supplier to resolve Many to many relationships. Out of the box, this table is not populated with Agile PLM data. The table is populated when Agile PLM Multilist type attribute is configured to corresponding column in the Fact table using BI Configurator.
PQM_PR_CUSTOMER_B	PR Customer Bridge Table. Maintains data between PR and Customer to resolve many to many relationships. Out of the box, this table is not populated with Agile PLM data. The table is populated when Agile PLM Multilist type attribute is configured to corresponding column in the Fact table using BI Configurator.
PQM_PR_DESIGN_OWNER_B	PR Design Owner Bridge Table. Maintains data between PR and Design Owner to resolve many to many relationships. Out of the box, this table is not populated with Agile PLM data. The table is populated when Agile PLM Multilist type attribute is configured to corresponding column in the Fact table using BI Configurator.
PQM_PR_DOC_B	PR Documents Bridge Table. Maintains data between PR and Document to resolve many to many relationships. Out of the box, this table is not populated with Agile PLM data. The table is populated when Agile PLM Multilist type attribute is configured to corresponding column in the Fact table using BI Configurator.
PQM_PR_FUNC_AREA_B	PR Functional Area Bridge Table. Maintains data between PR and Functional Area to resolve many to many relationships. Out of the box, this table is not populated with Agile PLM data. The table is populated when Agile PLM Multilist type attribute is configured to corresponding column in the Fact table using BI Configurator.
PQM_PR_ITEM_FAILURE_TYPE_B	PR Item Failure Type Bridge Table. Maintains data between PR and Failure Type to resolve many to many relationships. Out of the box, this table is not populated with Agile PLM data. The table is populated when Agile PLM Multilist type attribute is configured to corresponding column in the Fact table using BI Configurator.
PQM_PR_ITEM_FAIL_CAUSE_1_B	PR Item Failure Cause Bridge Table. Maintains data between PR and Item Fail Cause 1 to resolve many to many relationships. Out of the box, this table is not populated with Agile PLM data. This table is populated when Agile PLM Multilist type attribute is configured to corresponding column in the Fact table using BI Configurator.
PQM_PR_ITEM_FAIL_CAUSE_2_B	PR Item Failure Cause Bridge Table. Maintains data between PR and Item Fail Cause 2 to resolve many to many relationships. Out of the box, this table is not populated with Agile PLM data. This table is populated when Agile PLM Multilist type attribute is configured to corresponding column in the Fact table using BI Configurator.
PQM_PR_ITEM_FAIL_CAUSE_3_B	PR Item Failure Cause Bridge Table. Maintains data between PR and Item Fail Cause 3 to resolve many to many relationships. Out of the box, this table is not populated with Agile PLM data. This table is populated when Agile PLM Multilist type attribute is configured to corresponding column in the Fact table using BI Configurator.

Entity	Description
PQM_PR_ITEM_PRODUCTLINE_B	PR Item Productline Bridge Table. Maintains data between PR Item Fact table and Item Productline dimension table to resolve many to many relationships. Out of the box, this table is not populated with Agile PLM data. The table is populated when Agile PLM Multilist type attribute is configured to corresponding column in the Fact table using BI Configurator.
PQM_PR_PRG_TASK_B	PR Program Tasks Bridge Table. Maintains data between PR and Program Task to resolve many to many relationships. Out of the box, this table is not populated with Agile PLM data. The table is populated when Agile PLM Multilist type attribute is configured to corresponding column in the Fact table using BI Configurator.
PQM_PR_PRODUCTLINE_B	PR Productline Bridge Table. Maintains data between PR and Productline to resolve many to many relationships. Out of the box, this table is not populated with Agile PLM data. The table is populated when Agile PLM Multilist type attribute is configured to corresponding column in the Fact table using BI Configurator.
PQM_PR_QMS_B	PR QMS Bridge Table. Maintains data between PR and QMS to resolve many to many relationships. Out of the box, this table is not populated with Agile PLM data. The table is populated when Agile PLM Multilist type attribute is configured to corresponding column in the Fact table using BI Configurator.
PQM_PR_SUPPLIER_B	PR Supplier Bridge Table. Maintains data between PR and Supplier to resolve many to many relationships. Out of the box, this table is not populated with Agile PLM data. The table is populated when Agile PLM Multilist type attribute is configured to corresponding column in the Fact table using BI Configurator.
USER_PRODUCTLINE_B	Productline Bridge Table. Maintains many to many relationships between product lines and users.
USER_USER_GROUP_B	User Group Bridge Table. Maintains data between User and User Group to resolve many to many relationships. Out of the box, this table is not populated with Agile PLM data. The table is populated when Agile PLM Multilist type attribute is configured to corresponding column in the Fact table using BI Configurator.

## Data Tables

Data tables store the data for Affected Items only.

Entity	Description
ITEM_MFR_PART_DATA	Item and Manufacturer Part Data Table. This is a Temporary table, Reserved for ETL process, and is used for configuring flex attributes between Item and Manufacturer Part relationship.

Entity	Description
PC_ECO_ITEM_DATA	ECO Item Data Table. This Temporary table, reserved for ETL process, is used for configuring Agile PLM flex attributes between Item and Change Orders (ECO) relationship.
PC_ECO_SIGNOFF_DATA	ECO Signoff Data Table. This Temporary table, reserved for ETL process, is used for processing Change Orders (ECO) signoff data.
PC_ECO_WORKFLOW_DETAIL_DATA	ECO Workflow Details Data Table. Holds the details of the Agile PLM workflows such as status cycle time, status cycle time in progress for each combination of workflow states.
PC_ECR_ITEM_DATA	ECR Item Data Table. This Temporary table, reserved for ETL process, is used for configuring Agile PLM flex attributes between Item and Change Requests (ECR) relationship.
PC_ECR_SIGNOFF_DATA	ECR Signoff Data Table. This Temporary table, reserved for ETL process, is used for processing Change Requests (ECR) signoff data of Agile PLM.
PC_ECR_WORKFLOW_DETAIL_DATA	ECR Workflow Detail Data Table. Stores the details of the Agile PLM workflow such as status cycle time, status cycle time in progress for each combination of workflow states.
PC_MCO_ITEM_DATA	MCO Item Data Table. This Temporary table, reserved for ETL process, is used for configuring Agile PLM flex attributes between Item and Manufacturing Changes (MCO) relationship.
PC_MCO_SIGNOFF_DATA	MCO Signoff Data Table. This Temporary table, reserved for ETL process, is used for processing Manufacturing Changes (MCO) signoff data.
PC_MCO_WORKFLOW_DETAIL_DATA	MCO Workflow Details Data Table. Stores the details of Agile PLM workflow such as status cycle time, status cycle time in progress for each combination of workflow states.
PC_SS_ITEM_DATA	The Temporary table, reserved for ETL process, is used for configuring Agile PLM flex attributes between Item and Stop Ships (SSO) relationship.
PC_SS_SIGNOFF_DATA	Stop Ship Signoff Data Table. This Temporary table, reserved for ETL process, is used for processing Stop Ships signoff data of Agile PLM.
PC_SS_WORKFLOW_DETAIL_DATA	Stop Ship Workflow Details Data Table. Stores the details of Agile PLM workflow such as status cycle time, status cycle time in progress for each combination of workflow states.
PLM_LANG_DATA	Project Language Data Table. Stores translated strings for dimension tables. Data is extracted from localized strings for all lists managed within Agile PLM.
PQM_AUDIT_ITEM_DATA	Audit Item Data Table. This Temporary table, reserved for ETL process, is used for configuring flex attributes between Item and Audits relationship.
PQM_AUDIT_WORKFLOW_DETAIL_DATA	Audit Workflow Detailed Data Table. This table holds the details of the workflow such as status cycle time, status cycle time in progress for each combination of workflow states.

Entity	Description
PQM_CAPA_ITEM_DATA	CAPA Item Data Table. Reserved for ETL process. Temporary table used for configuring flex attributes between Item and CAPA relationship.
PQM_CAPA_WORKFLOW_DETAIL_DATA	CAPA Workflow Details Data Table. This table holds the details of the workflow such as status cycle time, status cycle time in progress for each combination of workflow states.
PQM_NCR_ITEM_DATA	NCR Item Data Table. Reserved for ETL process. Temporary table used for configuring flex attributes between Item and Non Conformance Report (NCR) relationship.
PQM_NCR_WORKFLOW_DETAIL_DATA	NCR Workflow Detail Data Table. This table holds the details of the workflow such as status cycle time, status cycle time in progress for each combination of workflow states.
PQM_PR_ITEM_DATA	PR Item Data Table. Reserved for ETL process. Temporary table used for configuring flex attributes between Item and Problem Reports or Complaints (PR) relationship.
PQM_PR_WORKFLOW_DETAIL_DATA	PR Workflow Details Data Table. This table holds the details of the workflow such as status cycle time, status cycle time in progress for each combination of workflow states.

## Staging Tables

The staging tables are used as interface tables between the transactional database source tables and the target tables. The staging table structure is independent of source data structures.

When the ETL process runs, staging tables are truncated before they are populated with change capture data. During the initial full ETL load, these staging tables hold the entire source data set for a defined period of history, but they hold only the changes and updates to data during the subsequent refresh ETL runs.

## Materialized Views

A Materialized view is a logical view of your data. In Materialized views, the result set of the query is saved in a table. These tables can be indexed, so it is easy to locate information when the tables are queried. All the joins in the Materialized views are resolved when the Materialized views are refreshed. Therefore, when you query the Materialized view, there is no delay that results from the resolution of the joins in the query.

If Query rewrite is enabled in Materialized views, Oracle allows you to optimize a query such that it sources the results from your Materialized view. If you have created your Materialized views as forms of aggregate tables or as copies of frequently executed queries, the query response time is lesser than that in a regular view. This improves the response time of the end user application.

---

**Note** The data you receive from the materialized view is as latest as the last refresh of the Materialized view.

---

You can refresh the Materialized views manually or on a set schedule. You can also have the Materialized view refreshed when the database detects a change in data from the related source tables. Materialized view logs capture the change of data in the related source tables and serve as key input to the update of the Materialized views.

## Data Validation Rules

Various fact tables, for example, PC\_ECO\_F, have a VALID\_FLAG column to indicate the fact data for the row is valid or invalid. Data is valid if value is set to 1 and invalid if value is set to 0. The value is set to 0 if the object data, for example, ECO, in Agile PLM source system is not consistent or inaccurate for deriving volume, cycle-time, aging and other related measures in the Oracle Product Lifecycle Analytics application.

Following data validation rules are used for setting the value of VALID\_FLAG column to 0:

1. CREATE\_DATE column value for corresponding change object (for example., ECO) row in the corresponding Agile PLM source table is NULL
2. WORKFLOW\_ID column value for corresponding change object (for example., ECO) row in the corresponding Agile PLM source table is NULL
3. SUBMIT\_DATE column value for corresponding change object (for example., ECO) row in the Agile PLM source table is less than the CREATE\_DATE column value.

---

**Note** ETL uses CREATE\_DATE as SUBMIT\_DATE for various derived measures if the SUBMIT\_DATE value is NULL.

---

4. RELEASE\_DATE column value for corresponding change object (for example., ECO) row in the Agile PLM source table is less than the SUBMIT\_DATE column value.

---

**Note** ETL uses SYSDATE as RELEASE\_DATE for various derived measures if the RELEASE\_DATE value is NULL.

---

5. FINALCOMPLETE\_DATE column value for corresponding change object (for example., ECO) row in the Agile PLM source table is less than RELEASE\_DATE column value.

---

**Note** ETL uses SYSDATE as FINALCOMPLETE\_DATE for various derived measures if the FINALCOMPLETE value is NULL.

---

In addition to the above rules, all the workflow fact tables (for example., PC\_ECO\_WORKFLOW\_DETAILS\_F) use the following rule:

- NEXT\_STATUS column value in Agile PLM's CHANGE\_HISTORY table is NULL and EVENT\_TYPE column value is either 65 (Submit) or 71 (Review).

## User Defined Extensions

### User Defined Columns in the Fact Tables

Table Column	Type	Size	Precision	Comments
USRDEF_DATE0 to USRDEF_DATE4	Number		0	User defined Date in Julian Format. [Agile PLM] these columns can be mapped to

Table Column	Type	Size	Precision	Comments
				Date Type attributes in Agile PLM using Configurator.
USRDEF_LIST0 to USRDEF_LIST13	Number	22	0	User defined list.  ITEM_F, ITEM_ECRSS_F, and  ITEM_MFR_PART_DATA fact table have 28 user defined list columns.  [Agile PLM] These user defined list columns can be mapped to List type Agile PLM attributes and appropriate dimension tables using Agile PLM BI MDS Configurator.
USRDEF_NUMBER0 to USRDEF_NUMBER9	Number		0	User defined number.  [Agile PLM] these columns can be mapped to Numeric type attributes in Agile PLM using Configurator.
USRDEF_COST0 to USRDEF_COST9	Number	18	6	User Defined Cost.  [Agile PLM] these columns can be mapped to Money type attributes in Agile PLM using Configurator.

### User Defined Columns in the Dimension Tables

Table Column	Type	Size	Precision	Comments
USRDEF_TEXT0 to USRDEF_TEXT2	Varchar 2	256		User defined text
USRDEF_DATE0 to USRDEF_DATE2	Date			User defined date
USRDEF_NUMBER0 to USRDEF_NUMBER2	Number			User defined number
LEVEL0 to LEVEL4	Number			Columns to configure additional hierarchy into the Dimension. The level columns are populated if the dimension is a cascade list type in Agile PLM.
LEVEL0_NAME to LEVEL4_NAME	vvarchar2	256		

### Prefixes to the User Defined Columns

Besides the user defined columns listed above, the MDS also provides user defined columns for specific functionality. Such columns are identified by their prefixes listed in the table below. These prefixes denote the association of a user defined column to the category of PLM functionality.

For example, the column name `USRDEF_DATE0` in the dimension and fact tables denotes the User Defined Date. The same column name when prefixed with `PRJ_`, hence `PRJ_USRDEF_DATE0`, denotes the User Defined Date for belonging to a Project.

ACT	Activities
AI	Affected Items
DEL	Deliverables
ECO	Engineering Change Order
GATE	Gate
ITEM_MFR_PART	Item Manufacturer Part
ITEM	Items
MCO	Manufacturing Change Order
MFR_PART	Manufacturer Part
PF	Portfolio
PH	Phase
PRG	Program
PRJ	Project
SS	Stop Ship
SPEC	Specifications

## User Defined Dimension Tables

You can configure the tables `USRDEF_L01_D` to `USRDEF_L119_D` as Dimensions across Subject Areas. Use these tables to bring P2/P3/Flex attributes from Agile PLM.

## User Defined Bridge Tables

Each Core Fact and Item Fact table has five Bridge tables to handle many-to-many relationships.

Fact Tables	Bridge Tables
PQM_PR_F	PQM_PR_USRDEF_ML00_B to PQM_PR_USRDEF_ML04_B
PQM_NCR_F	PQM_NCR_USRDEF_ML00_B to PQM_NCR_USRDEF_ML04_B
PQM_CAPA_F	PQM_CAPA_USRDEF_ML00_B to PQM_CAPA_USRDEF_ML04_B
PQM_AUDIT_F	PQM_AUDIT_USRDEF_ML00_B to PQM_AUDIT_USRDEF_ML04_B
PC_ECO_F	PC_ECO_USRDEF_ML00_B to PC_ECO_USRDEF_ML04_B
PC_ECR_F	PC_ECR_USRDEF_ML00_B to PC_ECR_USRDEF_ML04_B
PC_MCO_F	PC_MCO_USRDEF_ML00_B to PC_MCO_USRDEF_ML04_B

PC_SS_F	PC_SS_USRDEF_ML00_B to PC_SS_USRDEF_ML04_B
PC_MFR_PART_F	PC_MFR_PART_USRDEF_ML00_B to PC_MFR_PART_USRDEF_ML04_B
PC_ITEM_F	PC_ITEM_USRDEF_ML00_B to PC_ITEM_USRDEF_ML04_B
PC_ITEM_MFR_PART_F	PC_ITEM_MFR_PART_USRDEF_ML00_B to PC_ITEM_MFR_PART_USRDEF_ML04_B
PC_DOC_F	PC_DOC_USRDEF_ML00_B to PC_DOC_USRDEF_ML04_B
PPM_ACTIVITY_F	PPM_ACT_USRDEF_ML00_B to PPM_ACT_USRDEF_ML04_B
PPM_PORTFOLIO_F	PPM_PF_USRDEF_ML00_B to PPM_PF_USRDEF_ML04_B
PPM_PHASE_GATE_F	PPM_PH_USRDEF_ML00_B to PPM_PH_USRDEF_ML04_B
PPM_PROGRAM_F	PPM_PRG_USRDEF_ML00_B to PPM_PRG_USRDEF_ML04_B
PPM_PROJECT_F	PPM_PRJ_USRDEF_ML00_B to PPM_PRJ_USRDEF_ML04_B
PQM_PR_ITEM_F	PQM_PR_ITEM_USRDEF_ML00_B to PQM_PR_ITEM_USRDEF_ML04_B
PQM_CAPA_ITEM_F	PQM_CAPA_ITEM_USRDEF_ML00_B to PQM_CAPA_ITEM_USRDEF_ML04_B
PQM_AUDIT_ITEM_F	PQM_AUDIT_ITEM_USRDEF_ML00_B to PQM_AUDIT_ITEM_USRDEF_ML04_B
PQM_NCR_ITEM_F	PQM_NCR_ITEM_USRDEF_ML00_B to PQM_NCR_ITEM_USRDEF_ML04_B

# Entity-Relationship Diagrams

### This chapter includes the following:

---

▪ Problem Reports.....	59
▪ Non Conformance Reports.....	62
▪ Corrective and Preventive Actions.....	64
▪ Audit.....	67
▪ Engineering Change Order.....	70
▪ Engineering Change Request.....	76
▪ Item.....	82
▪ Manufacturer Change Order.....	89
▪ Stop Ship.....	95
▪ PPM.....	101

This section consists of the Entity Relationships in the Oracle Product Lifecycle Analytics MDS.

#### ER Diagrams for Agile A9 PLM Source

The ER's under the following sections are specific to only Agile A9 PLM source:

- Problem Reports
- Non Conformance Reports
- Corrective and Preventive Actions
- Audit
- Engineering Change Order
- Engineering Change Request
- Item
- Manufacturer Change Order
- Stop Ship

---

**Note** The tables showing P4P are applicable only when the source is Agile PLM for process.

---

#### ER Diagrams for Agile PLM for Process Source

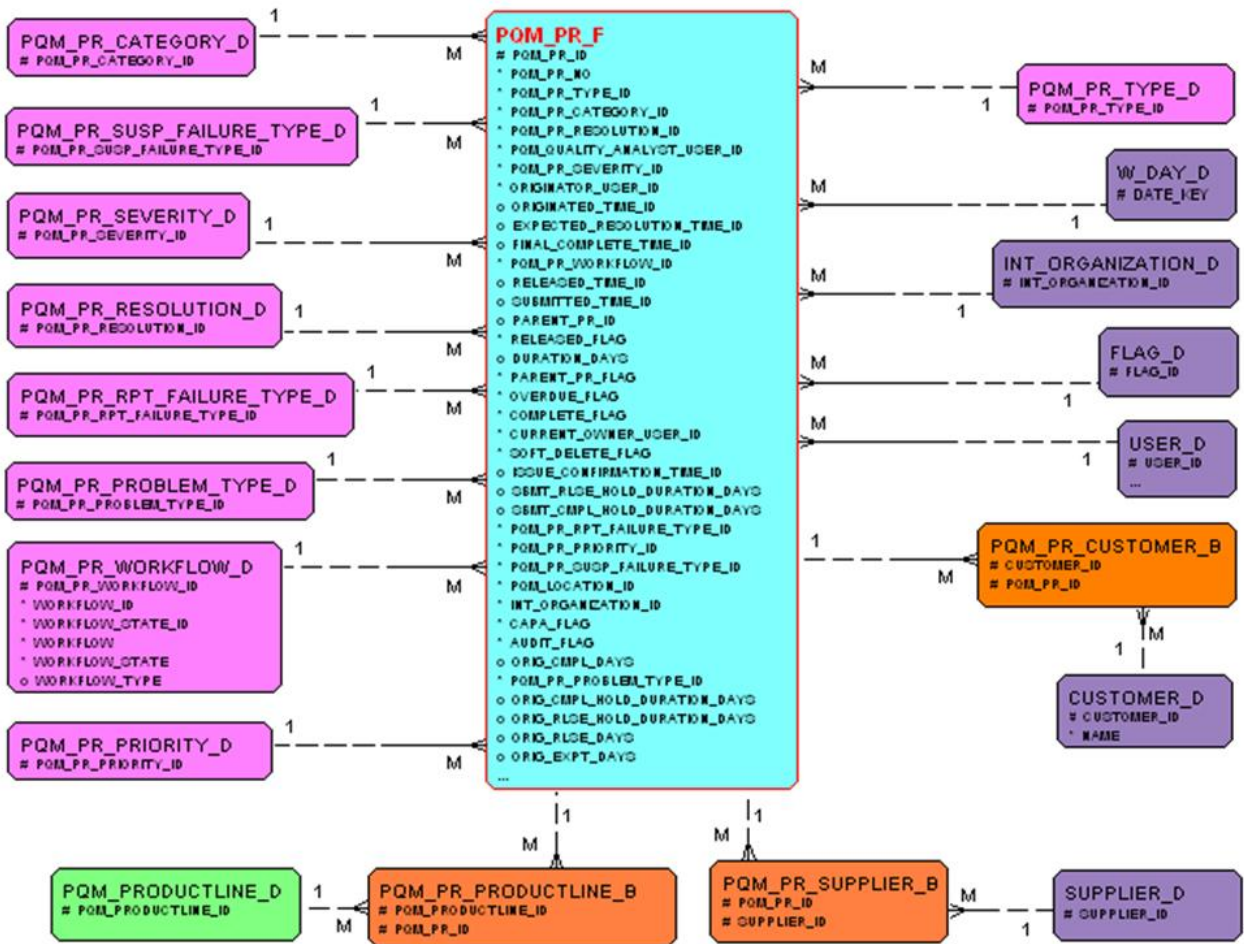
The ER's under the following sections are specific to only Agile PLM for Process source:

- Project Metrics
- Phase gate Signoff
- Project Detail Signoff

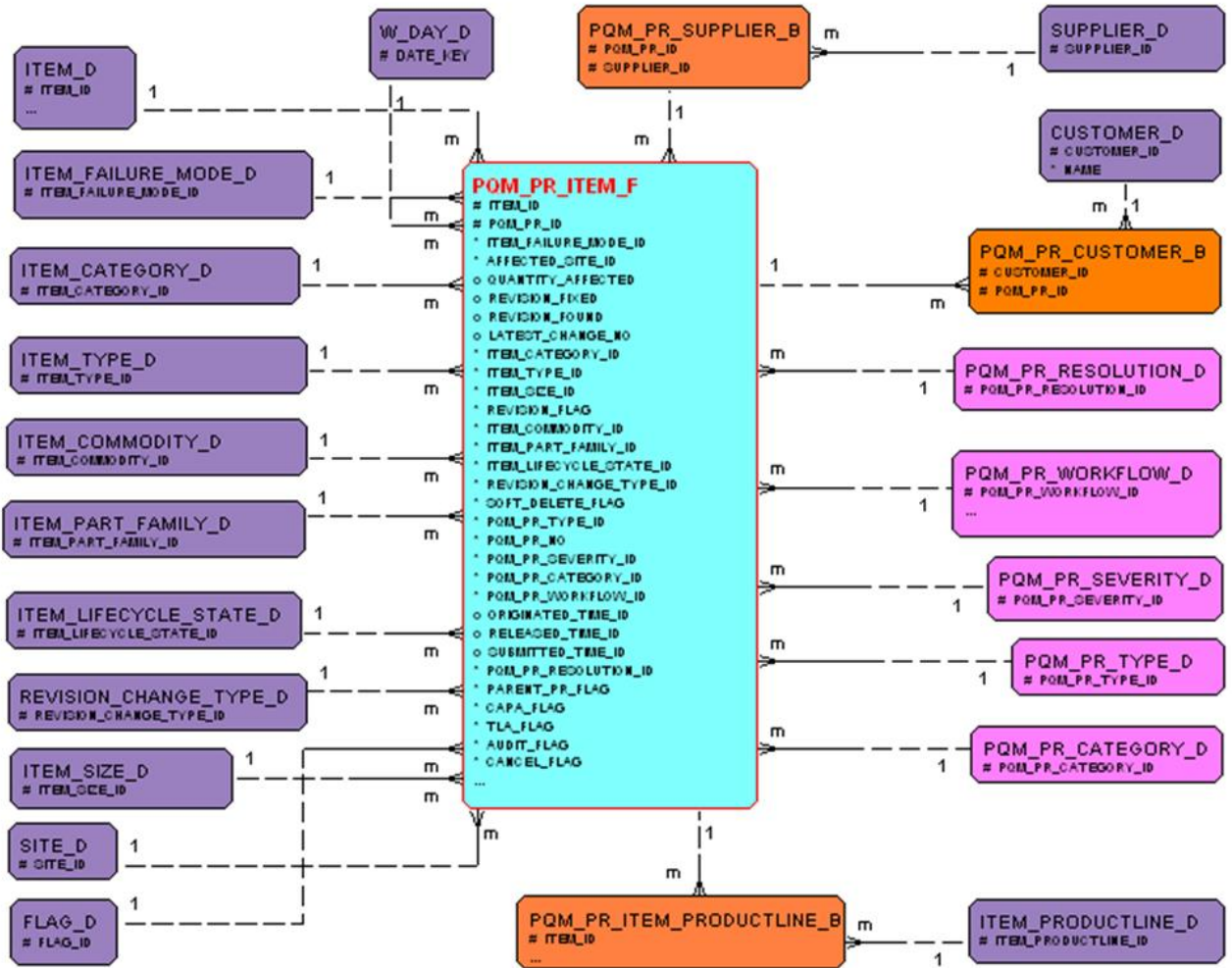
- Project Detail Workflow
- Specifications
- Specifications Workflow

# Problem Reports

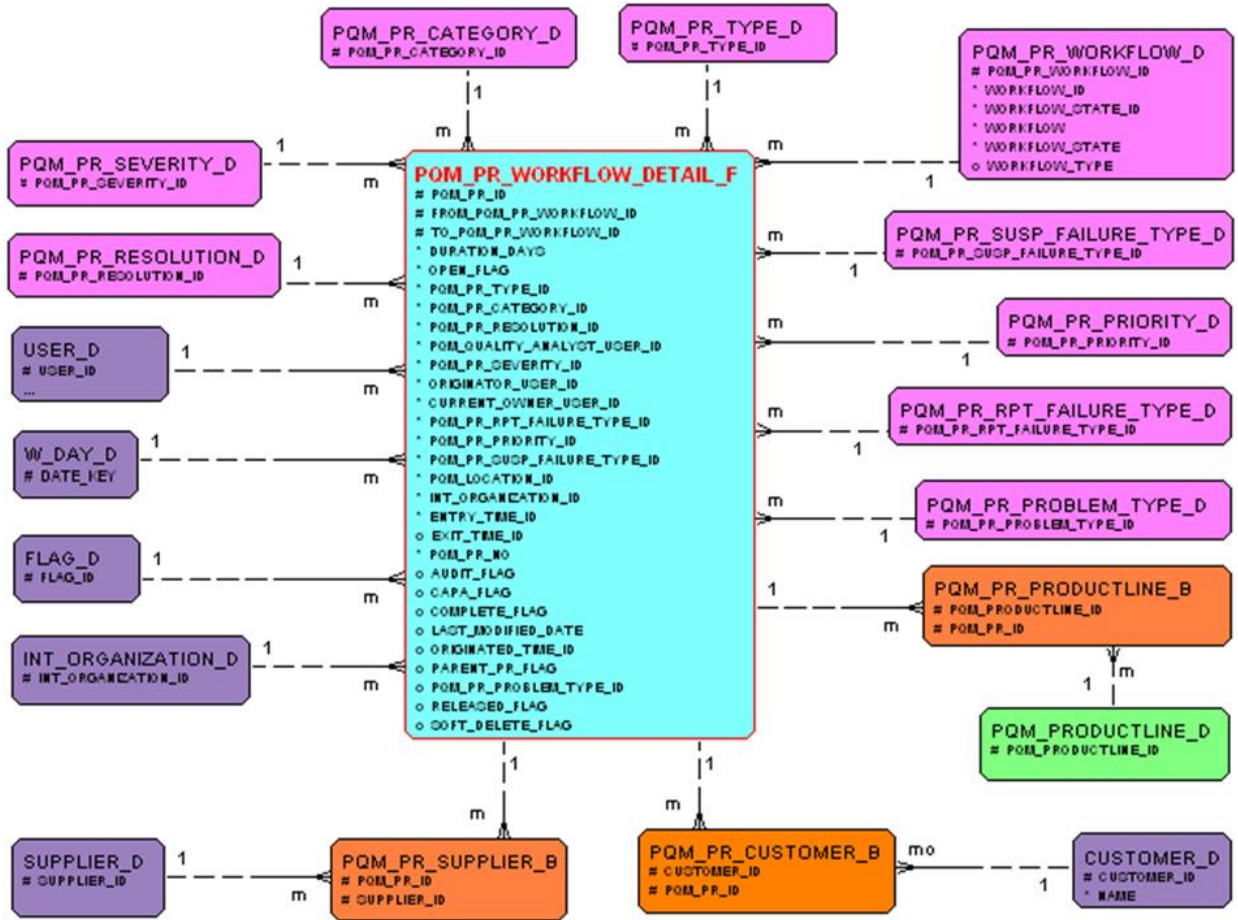
## Problem Reports Fact



## Problem Reports Item Fact

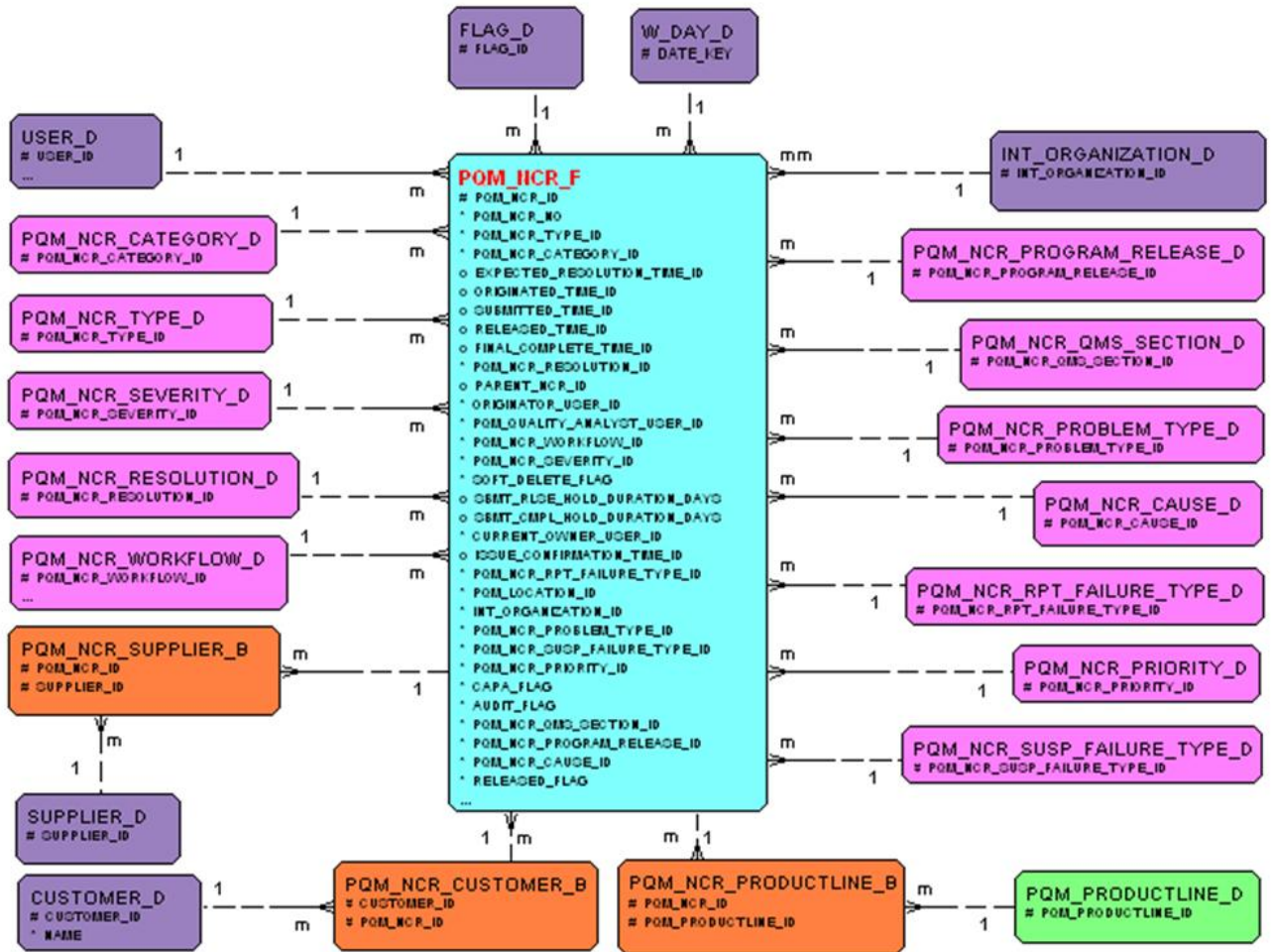


### Problem Reports – Workflow Detail

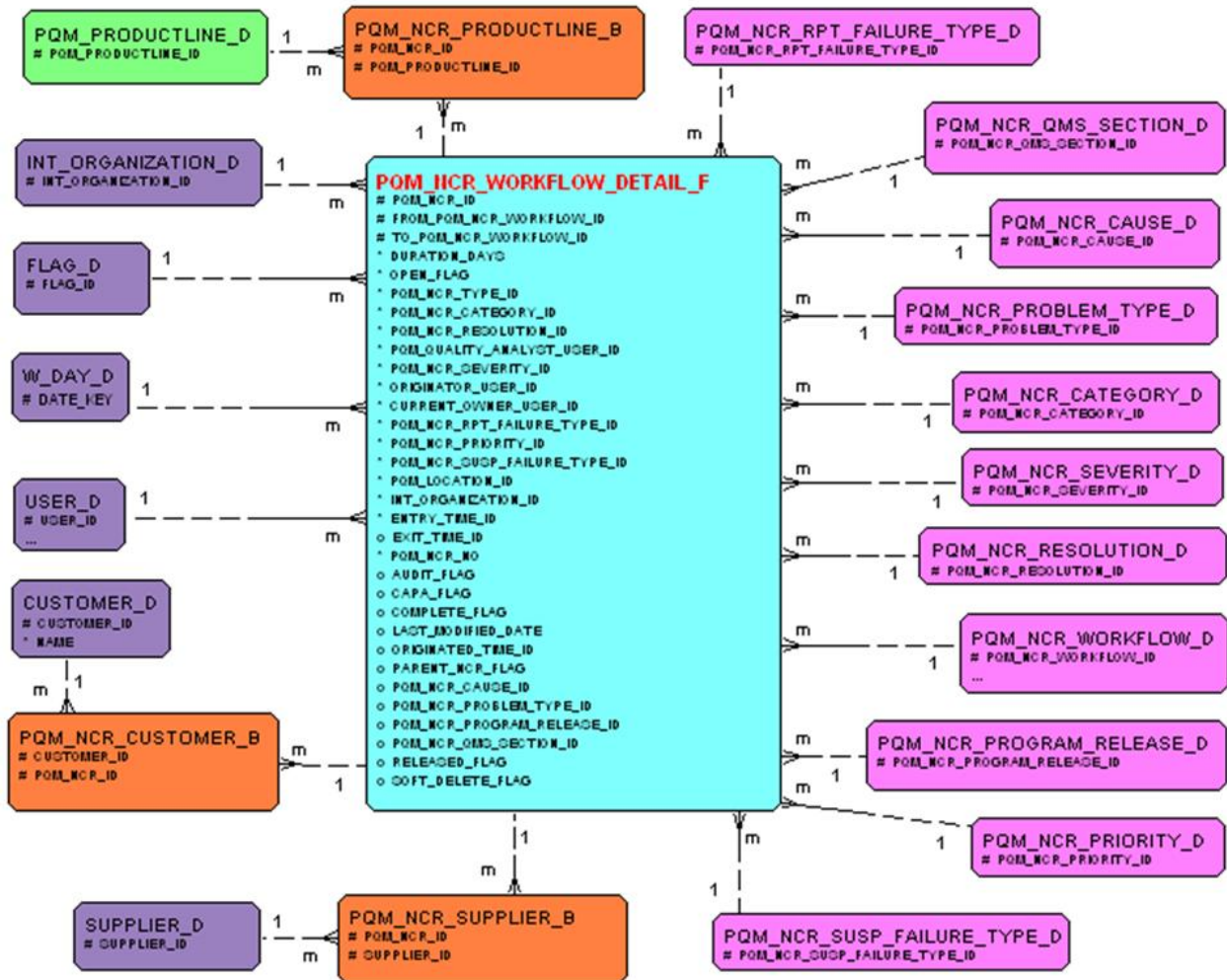


# Non Conformance Reports

## NCR Fact

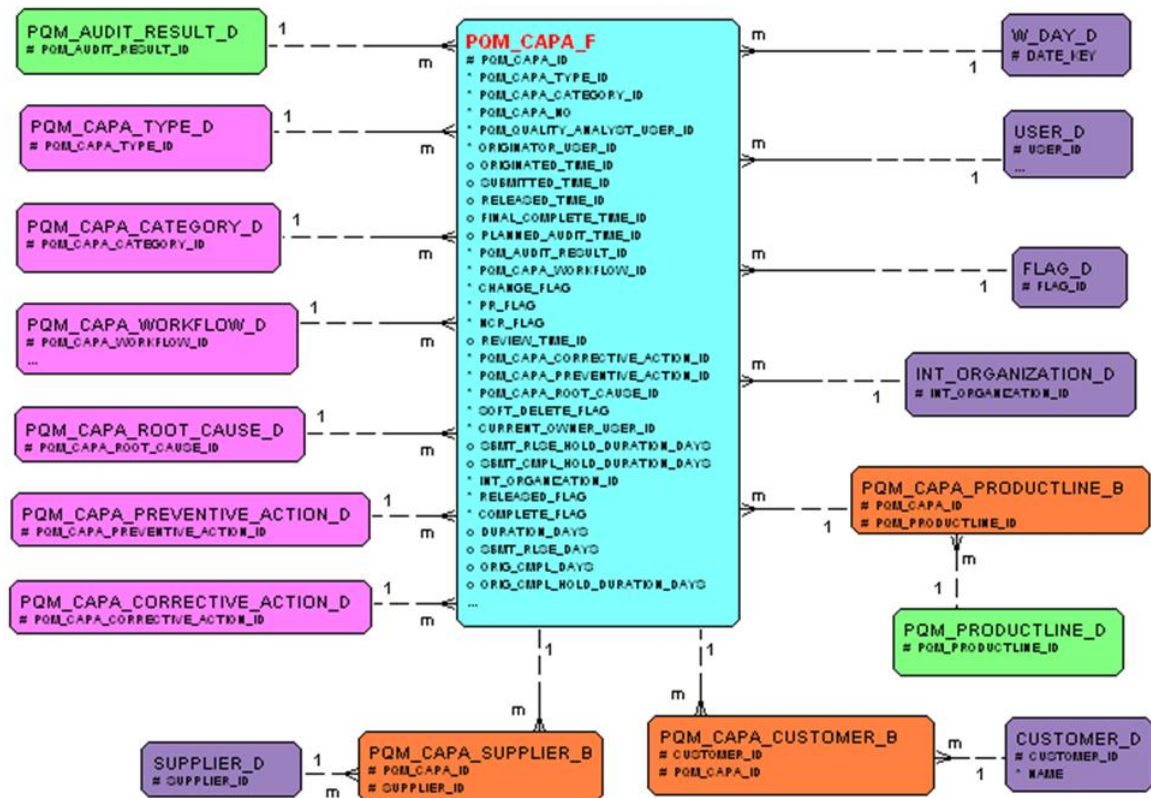


### NCR Workflow Detail

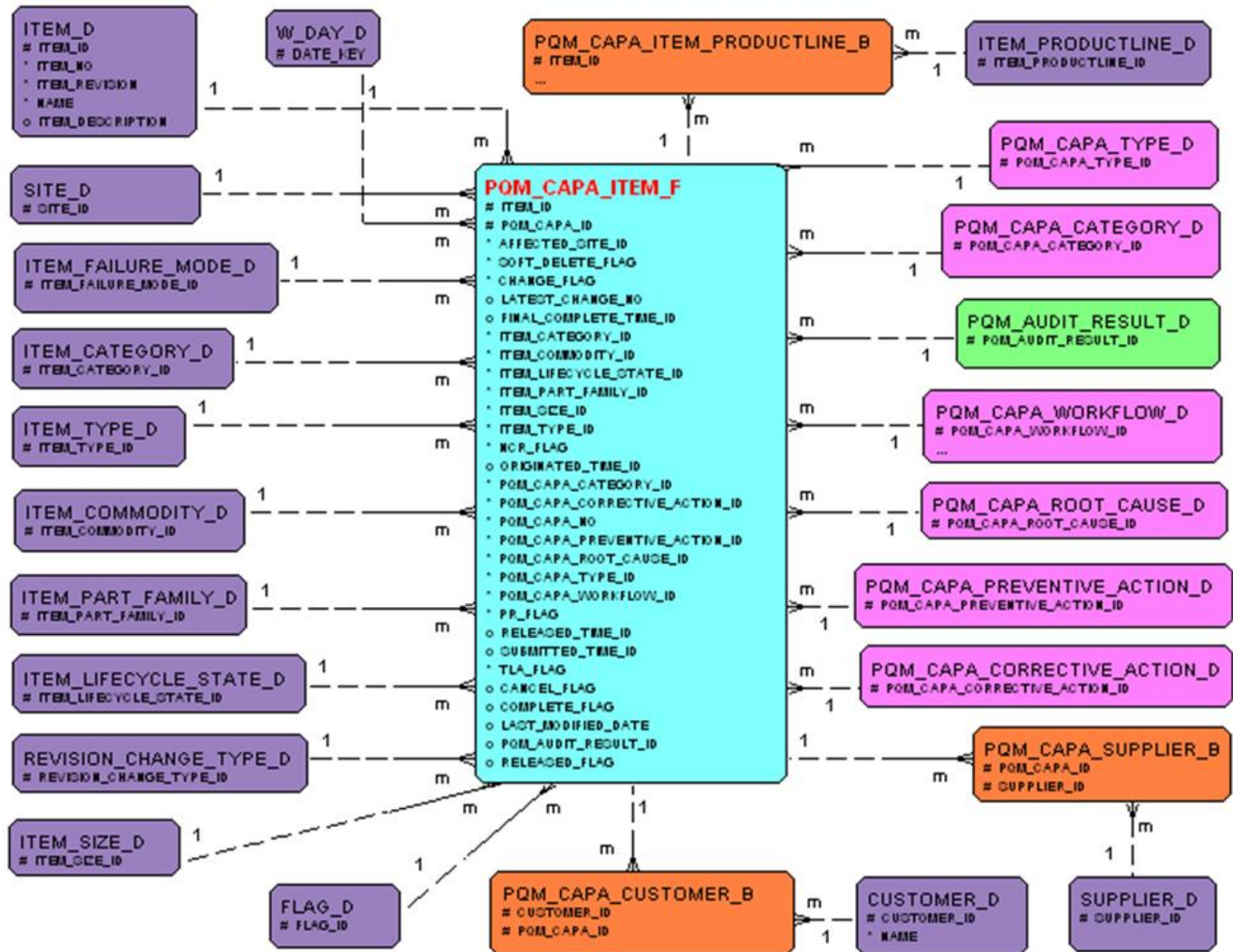


# Corrective and Preventive Actions

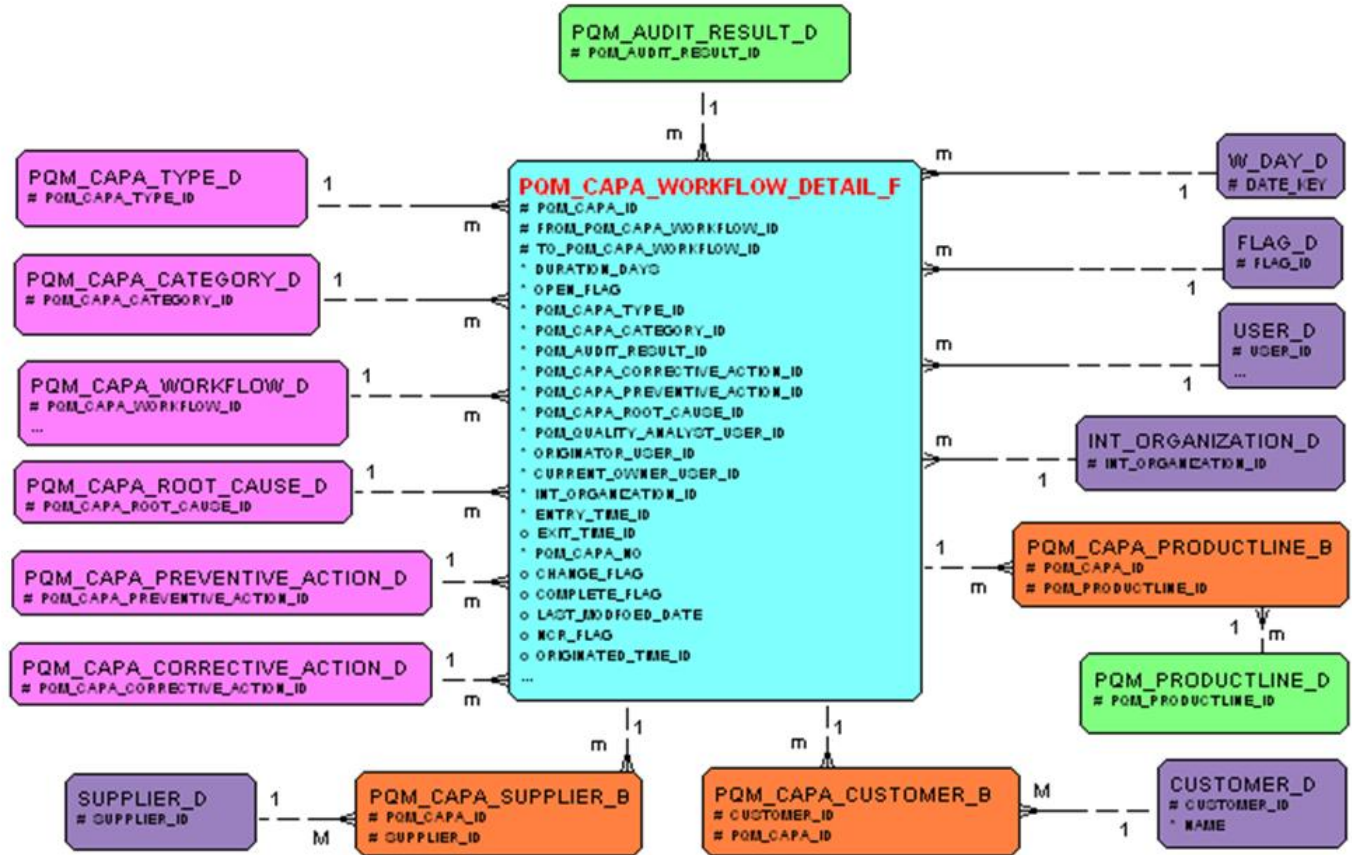
## CAPA Fact



### CAPA Item

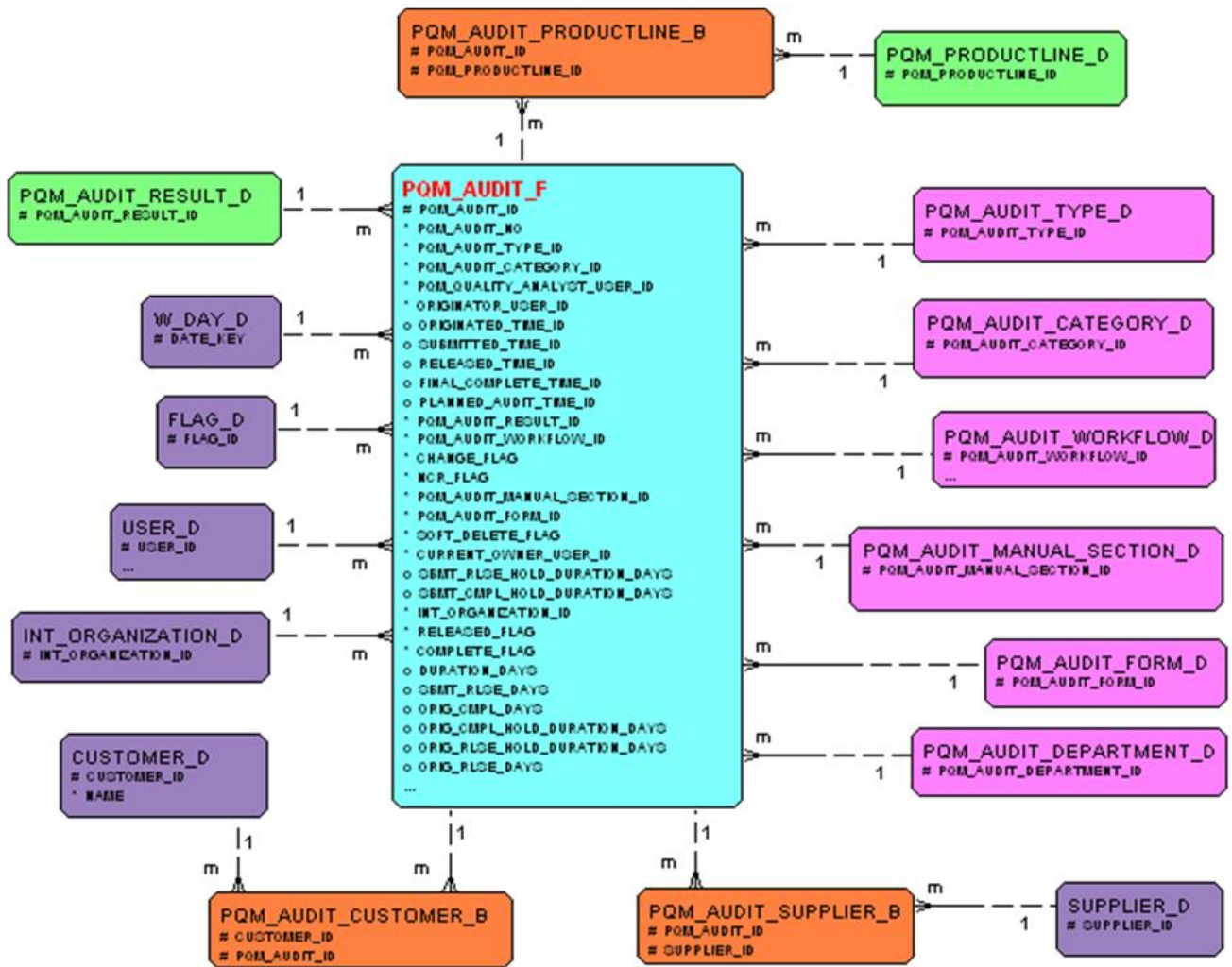


## CAPA Workflow Detail

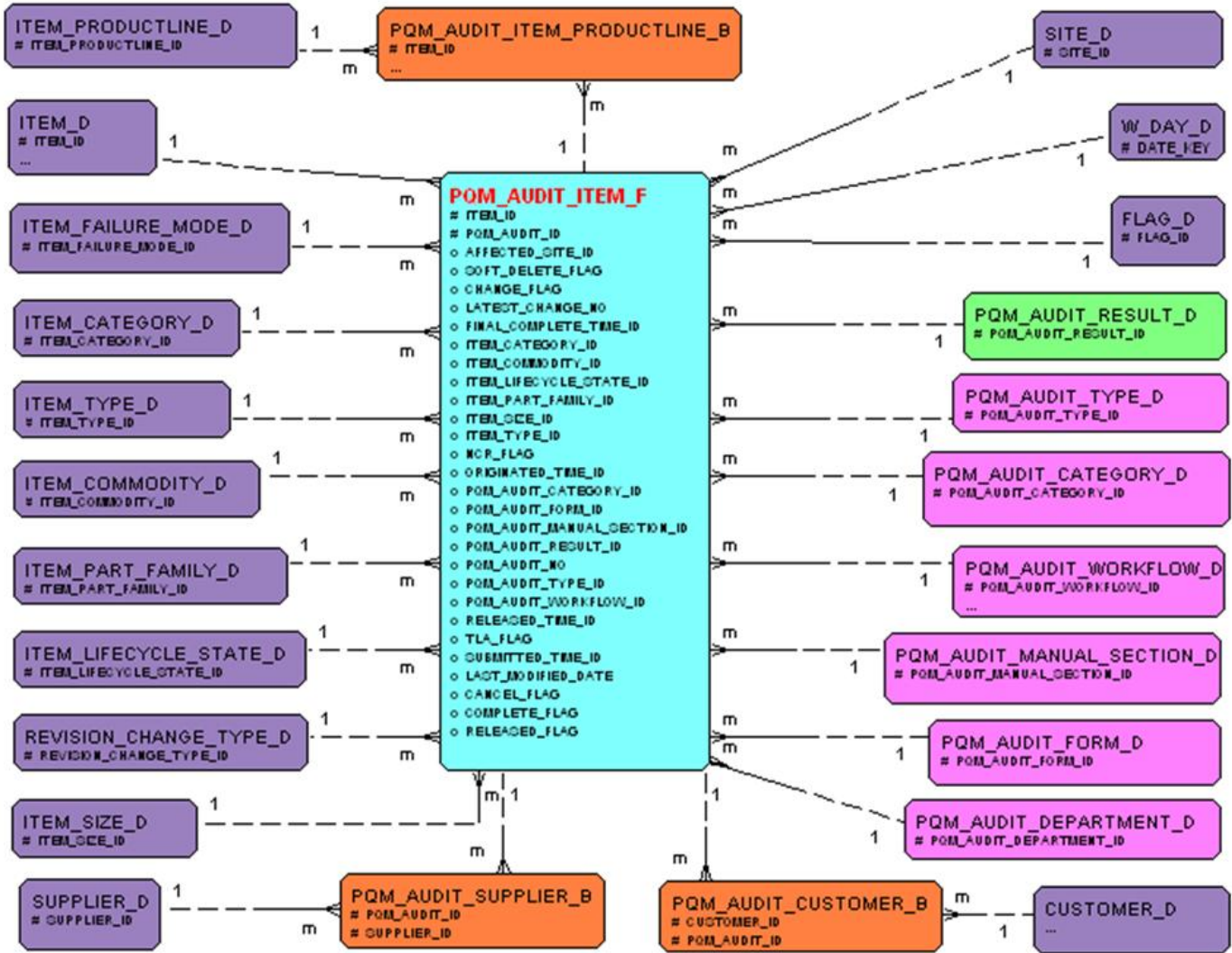


# Audit

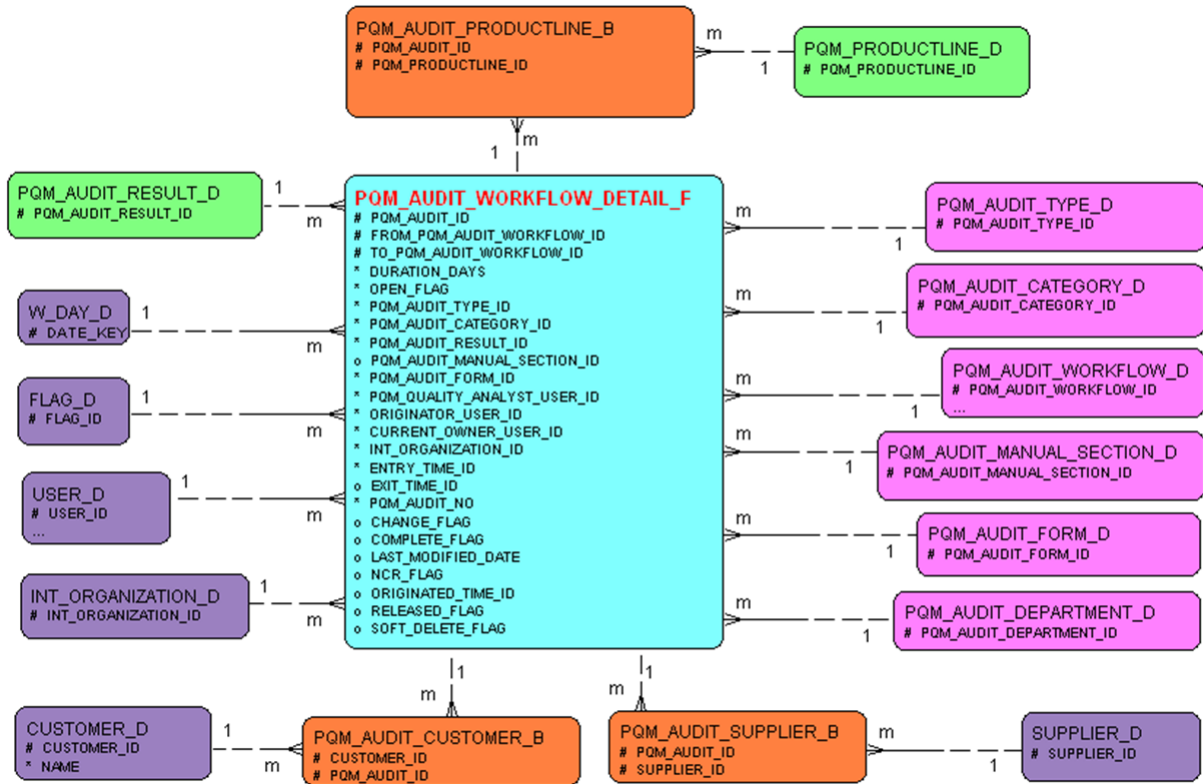
## Audit Fact



## Audit Item



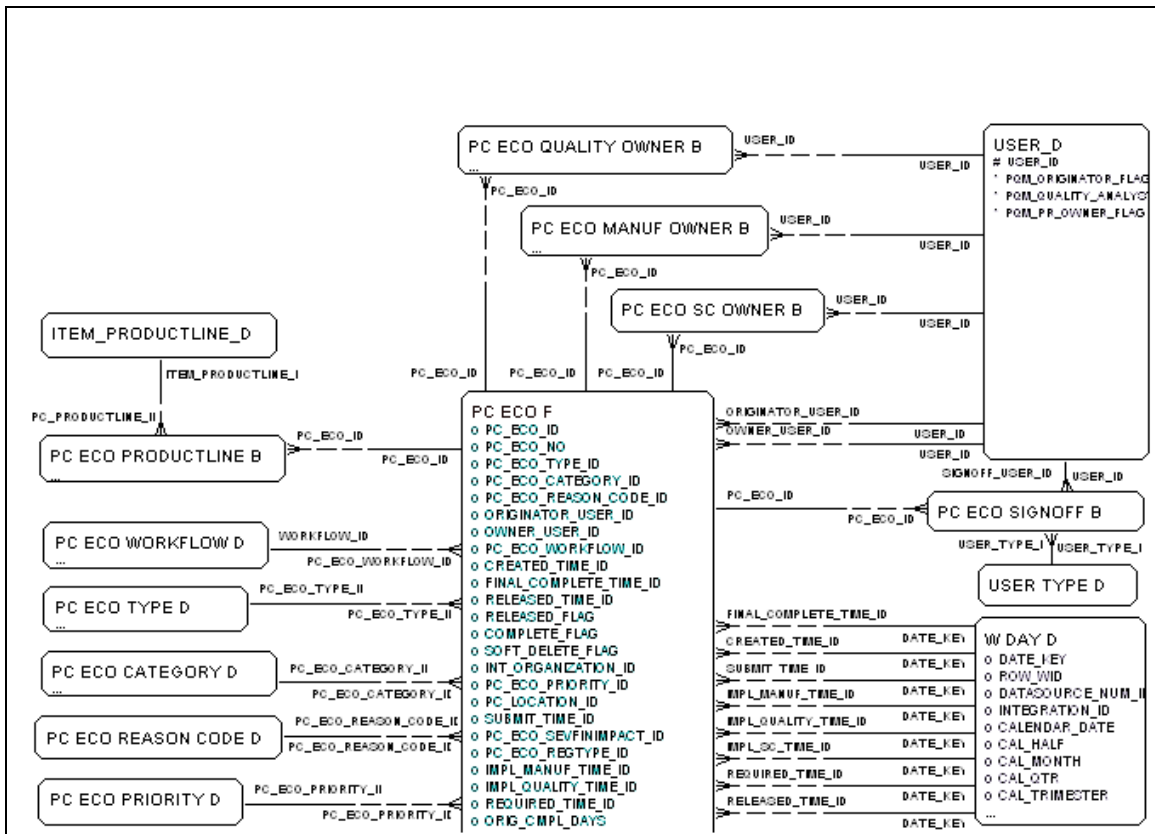
### Audit Workflow Detail



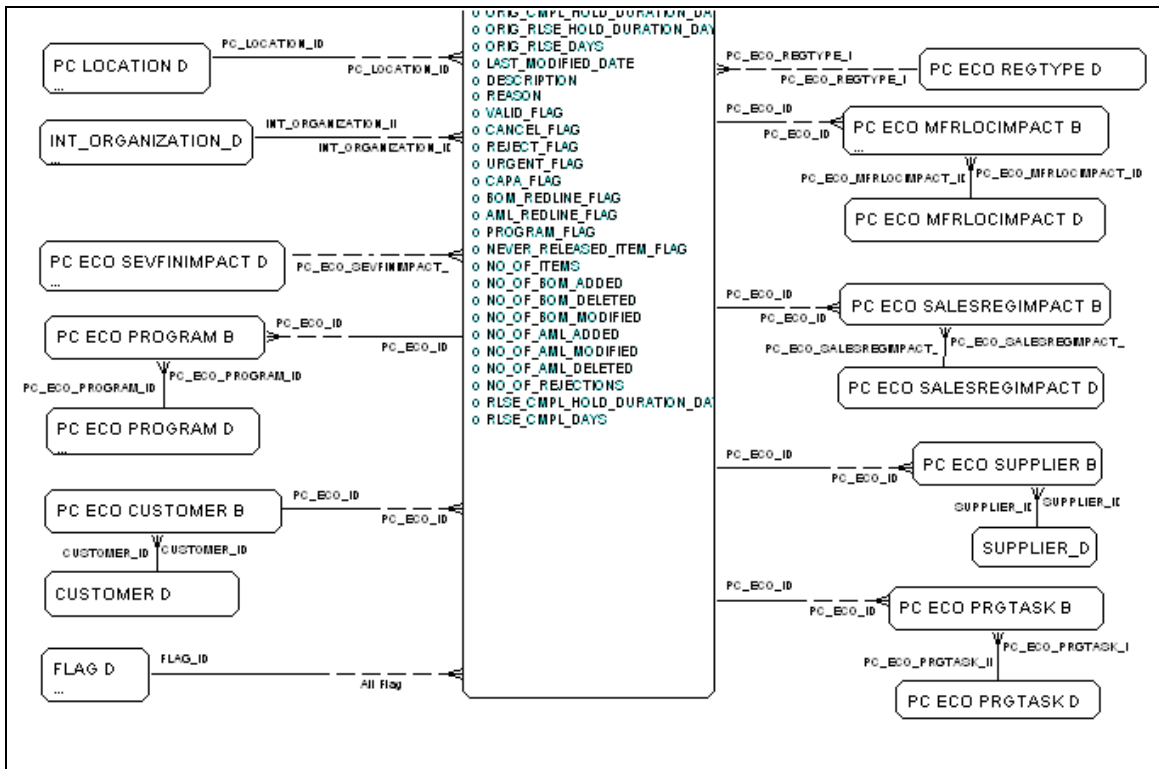
# Engineering Change Order

## ECO Fact

Part 1 of 2

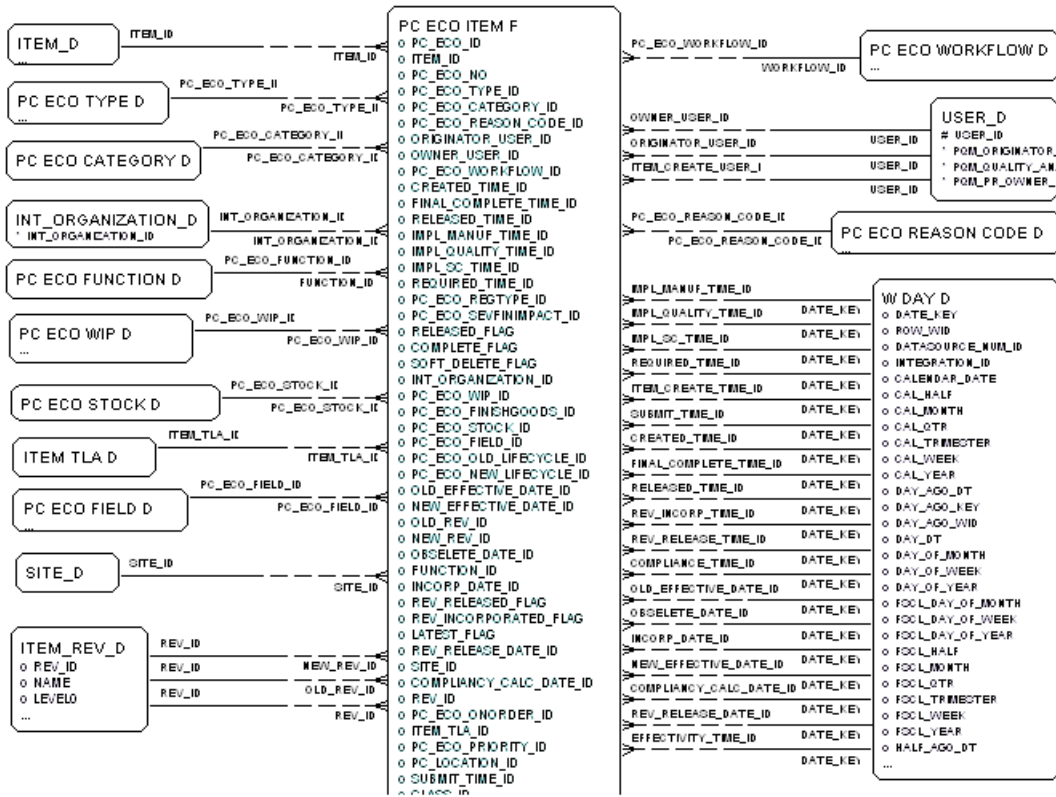


Part 2 of 2

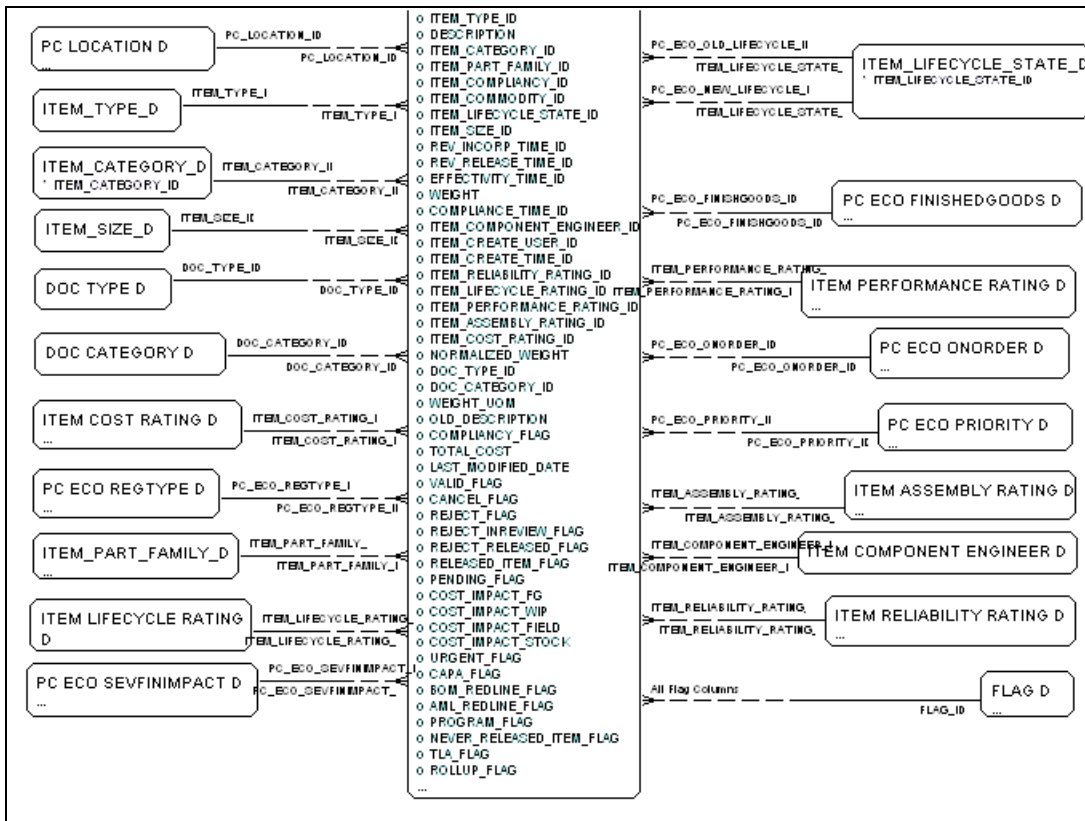


# ECO Item Fact

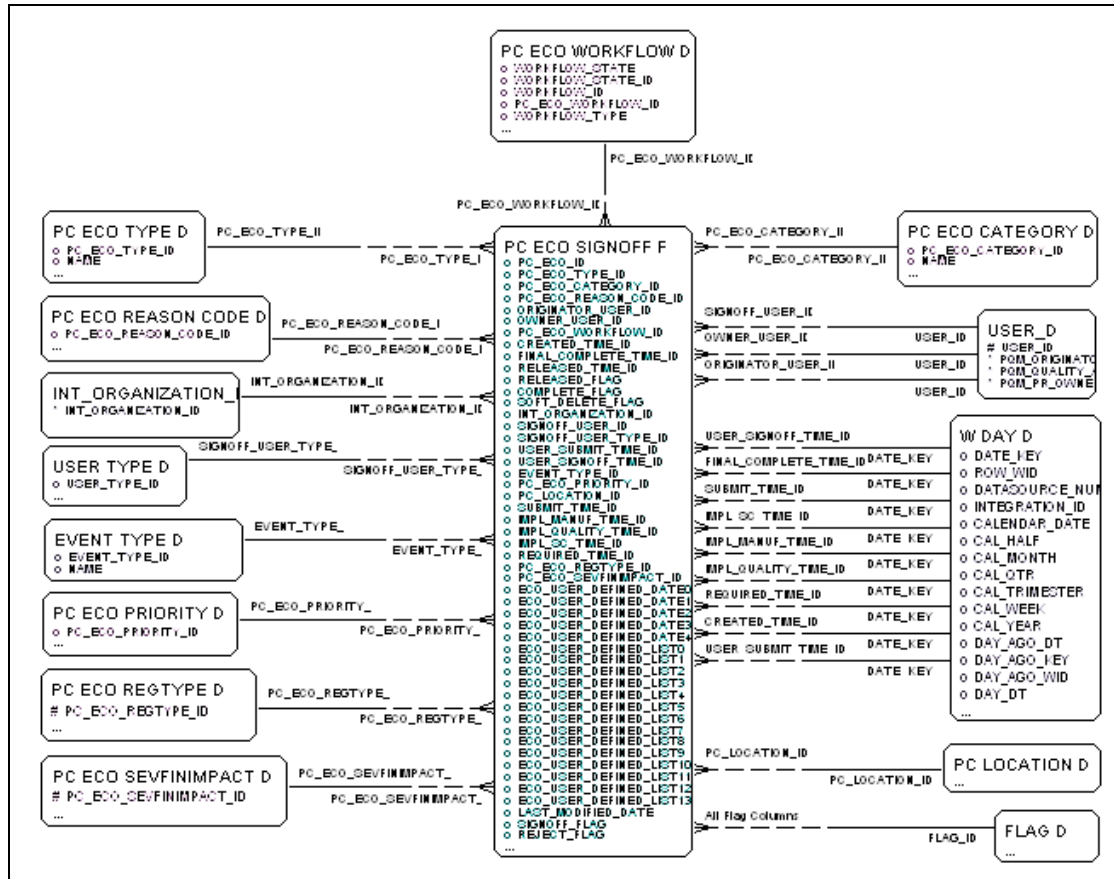
## Part 1 of 2



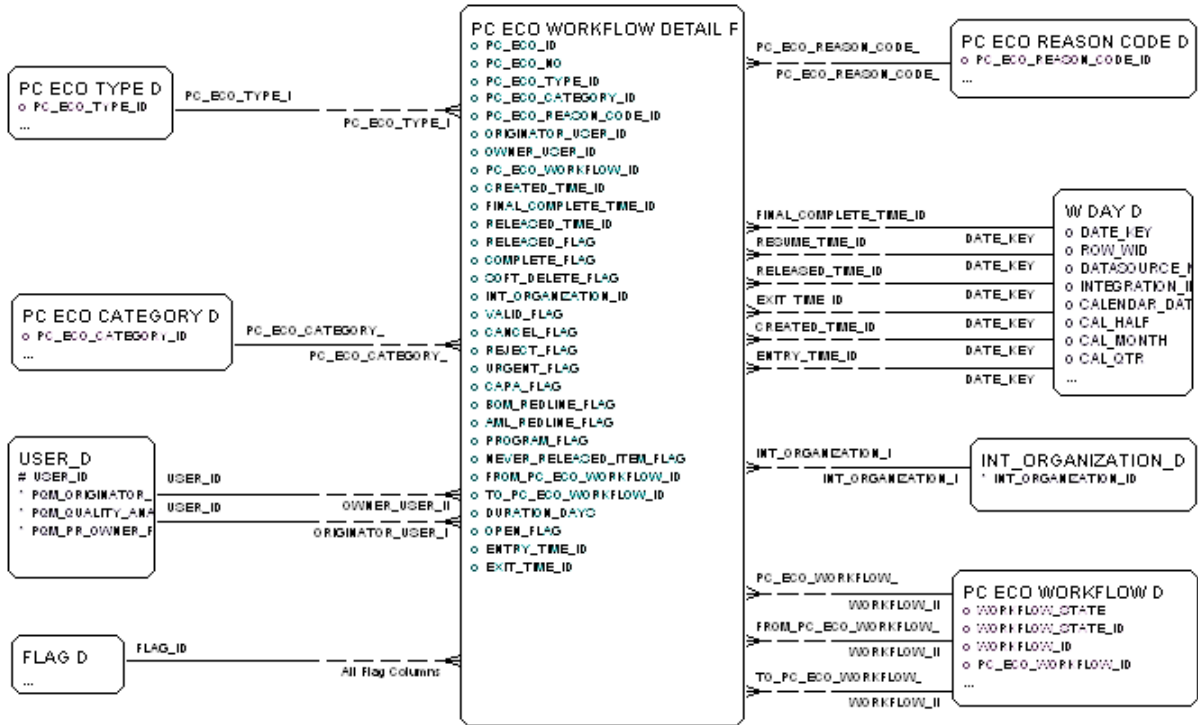
Part 2 of 2



## ECO Sign-off Fact

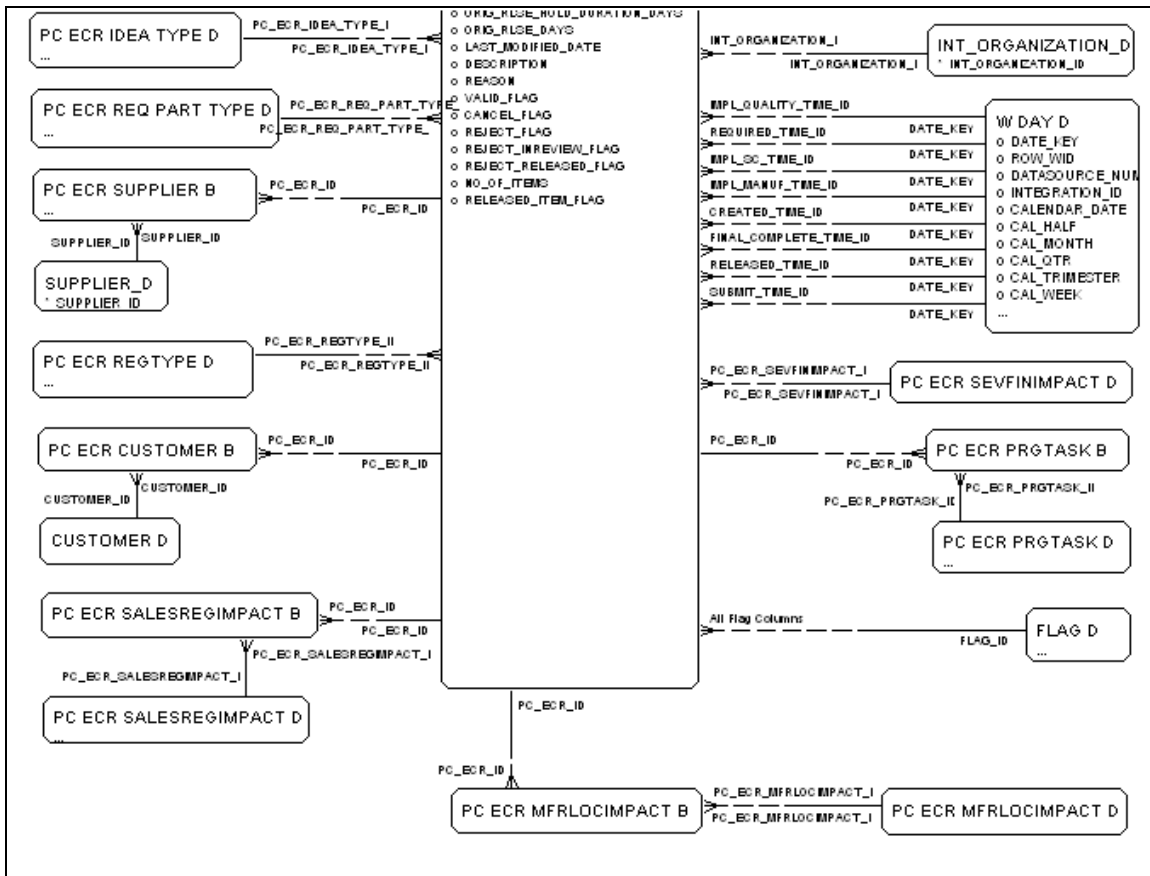


## ECO Workflow Detail



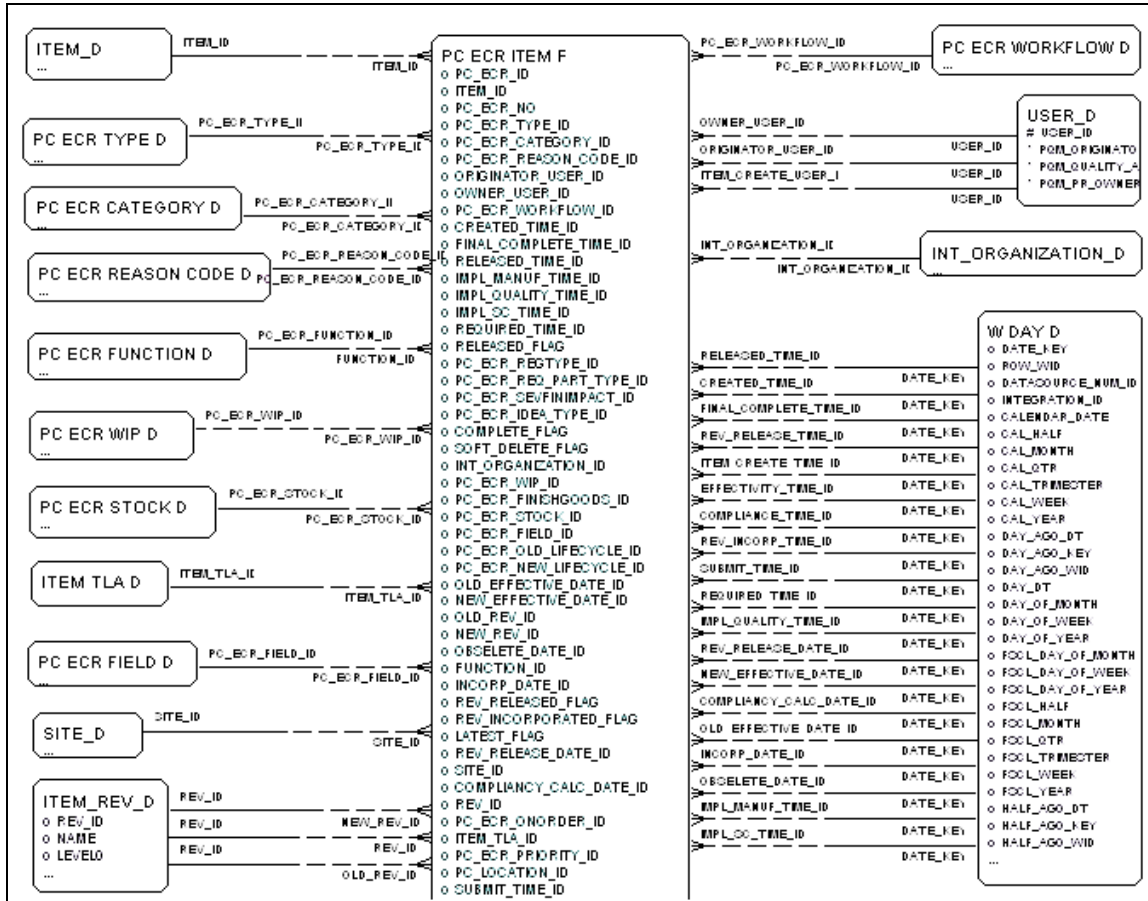


Part 2 of 2

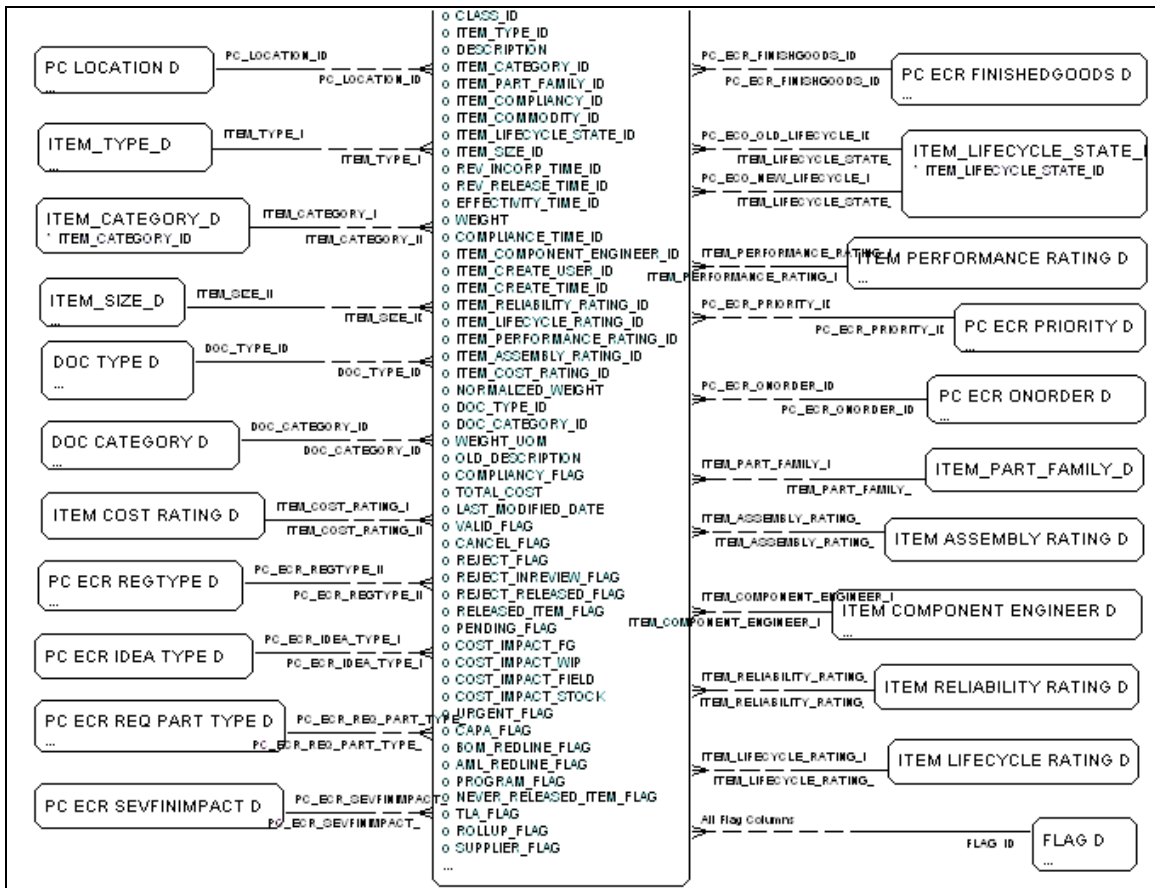


# ECR Item Fact

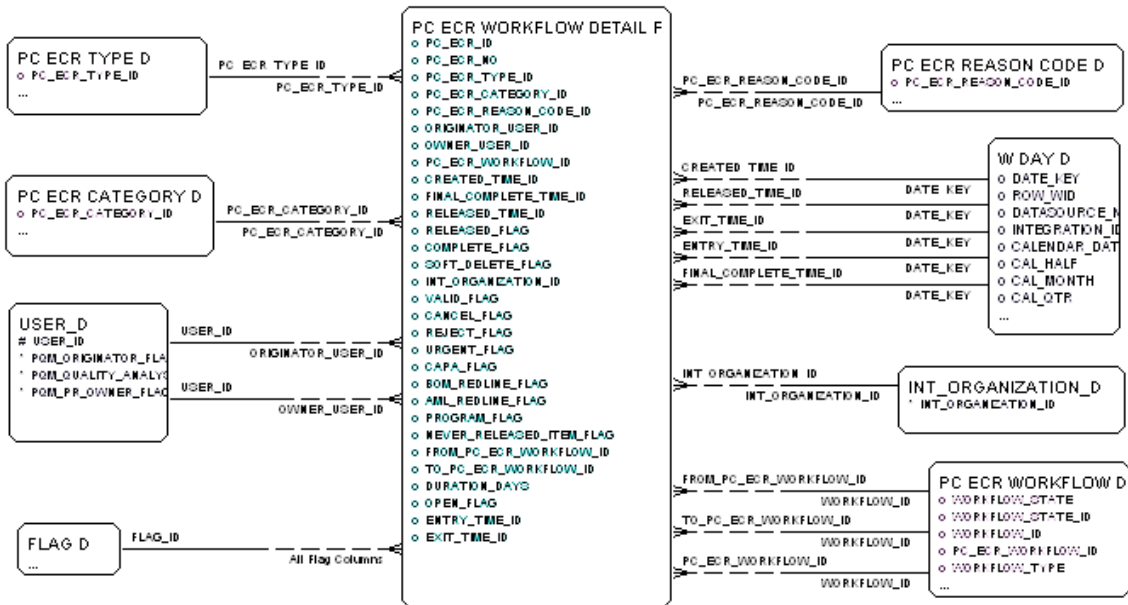
## Part 1 of 2



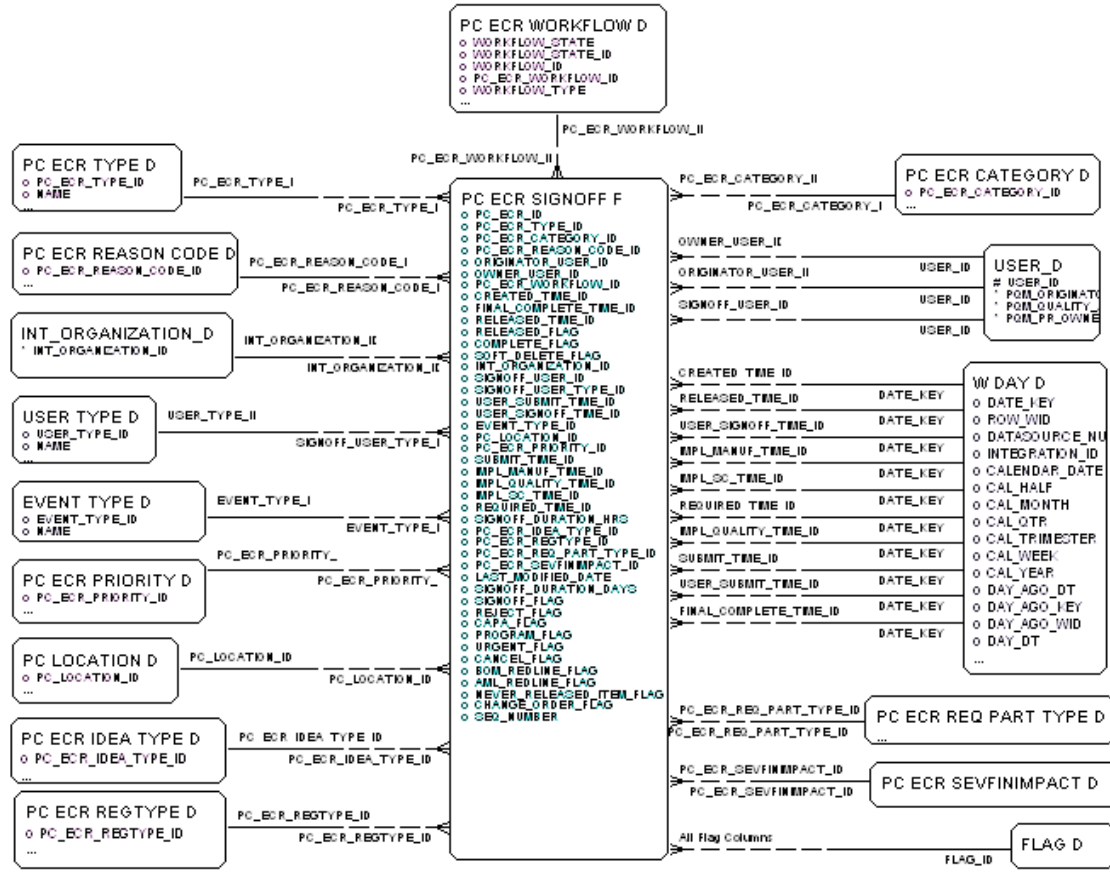
Part 2 of 2



## ECR Workflow Detail Fact



# ECR Sign-off Fact



# Item

## Item Fact

Diagram 1 of 3

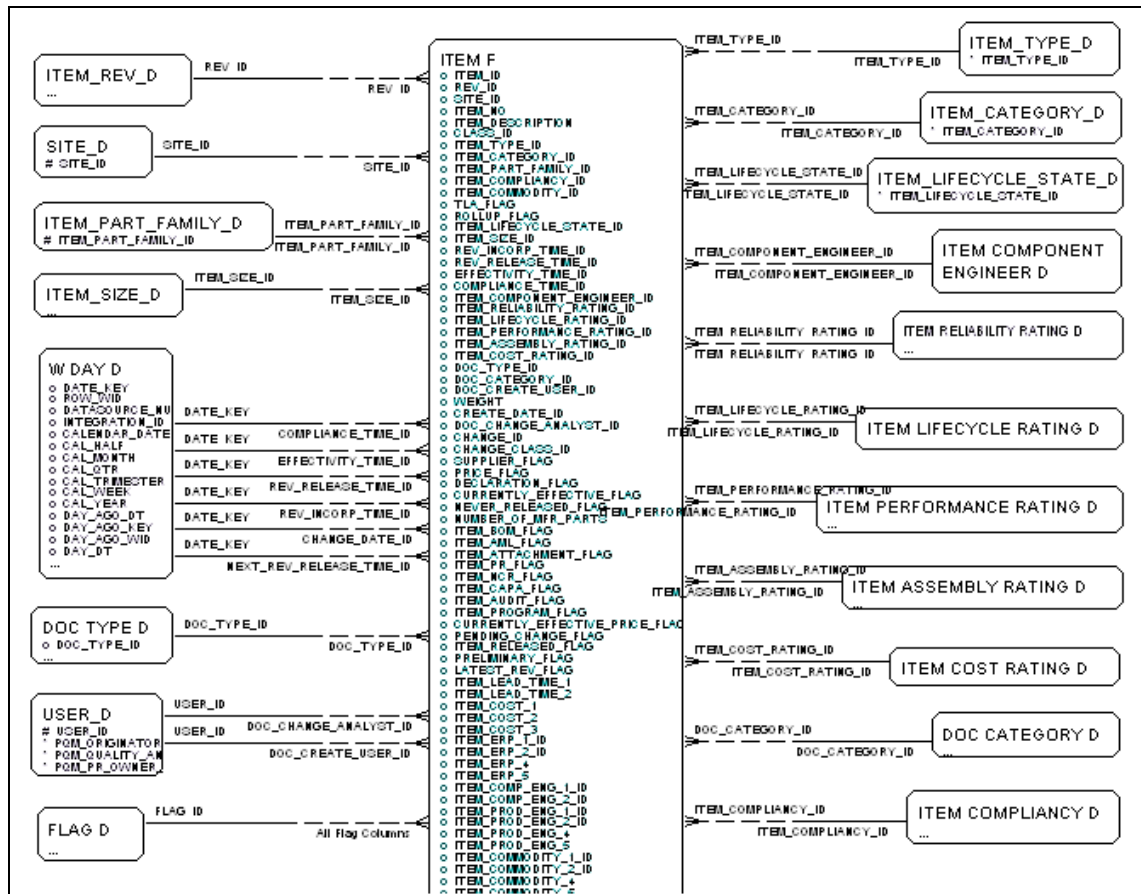


Diagram 2 of 3

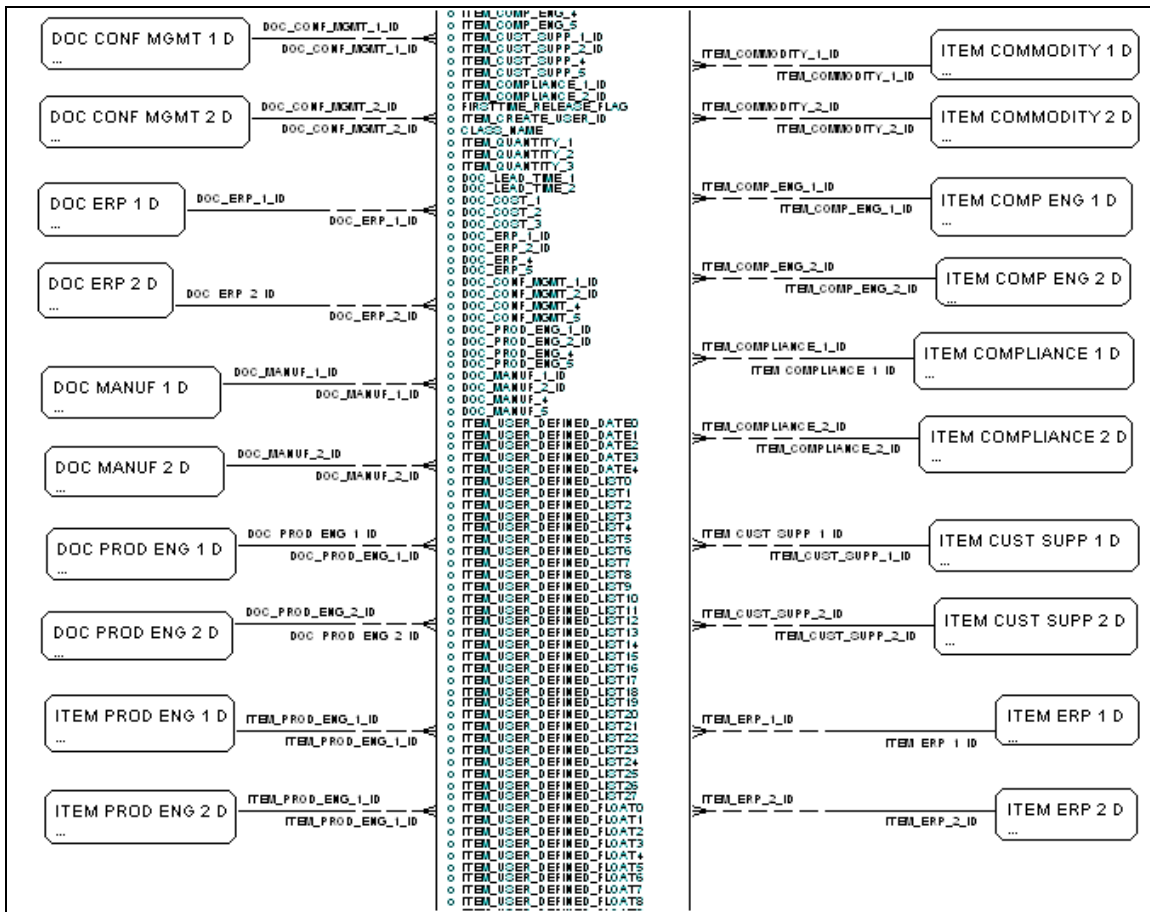
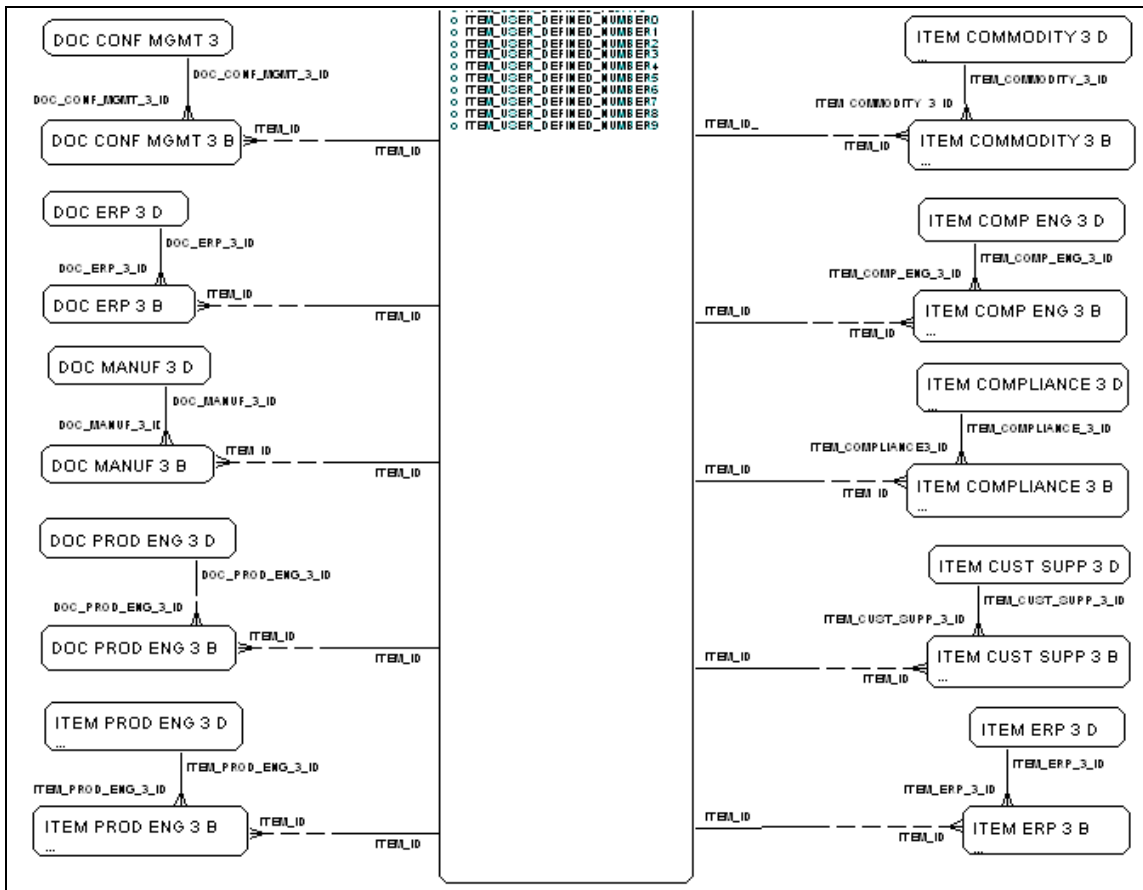


Diagram 3 of 3



# Manufacturer Part Fact

Diagram 1 of 2

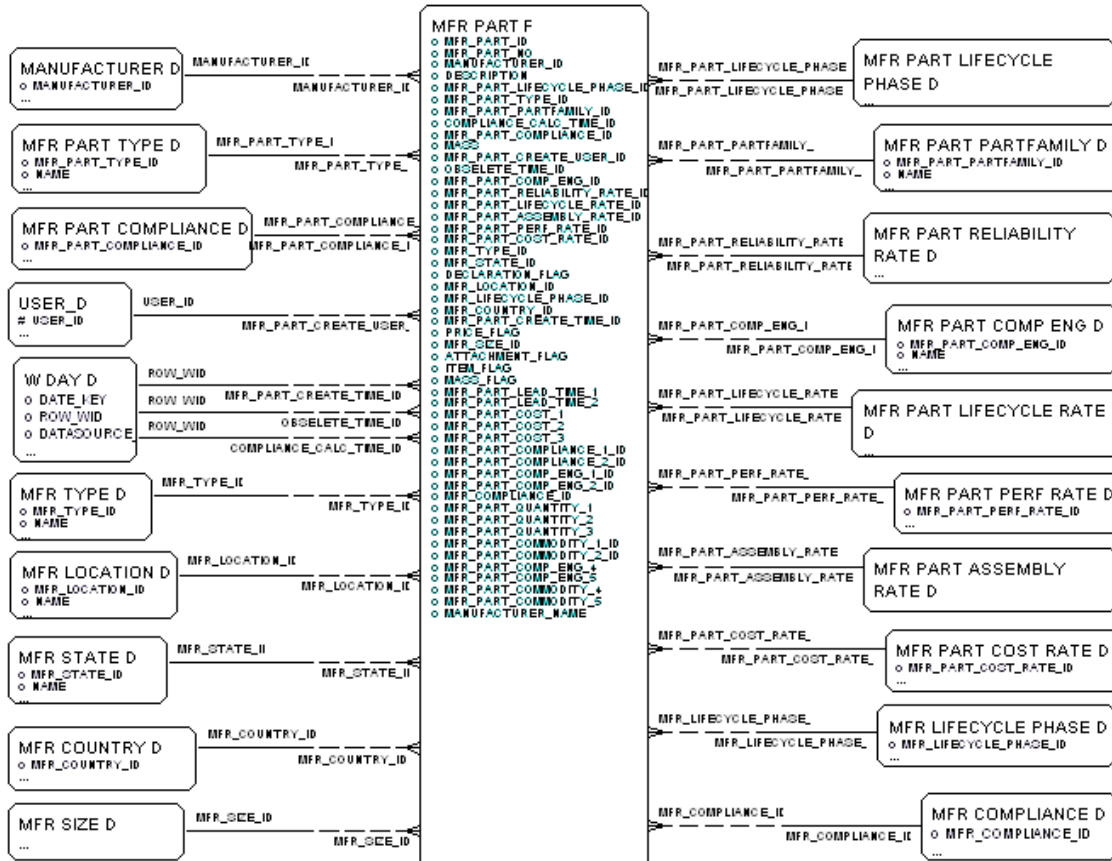
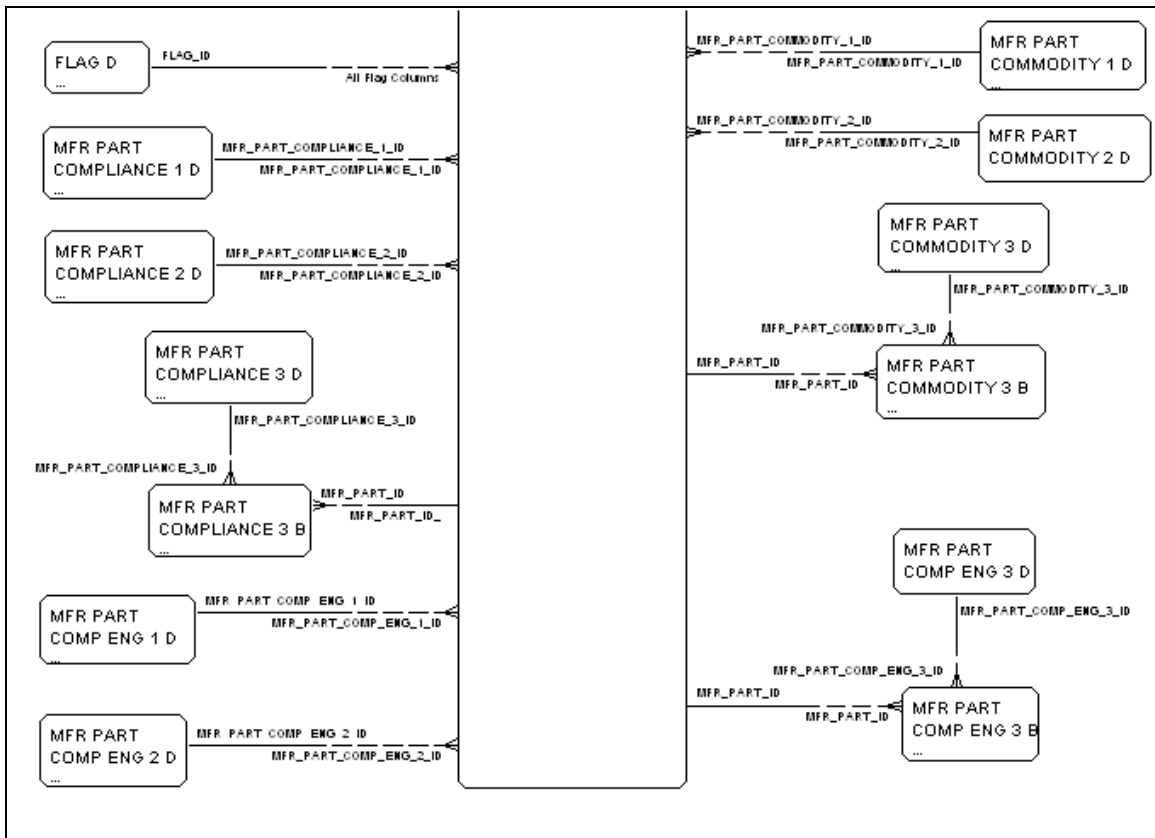


Diagram 2 of 2



# Item Manufacturer Part Fact

Diagram 1 of 2

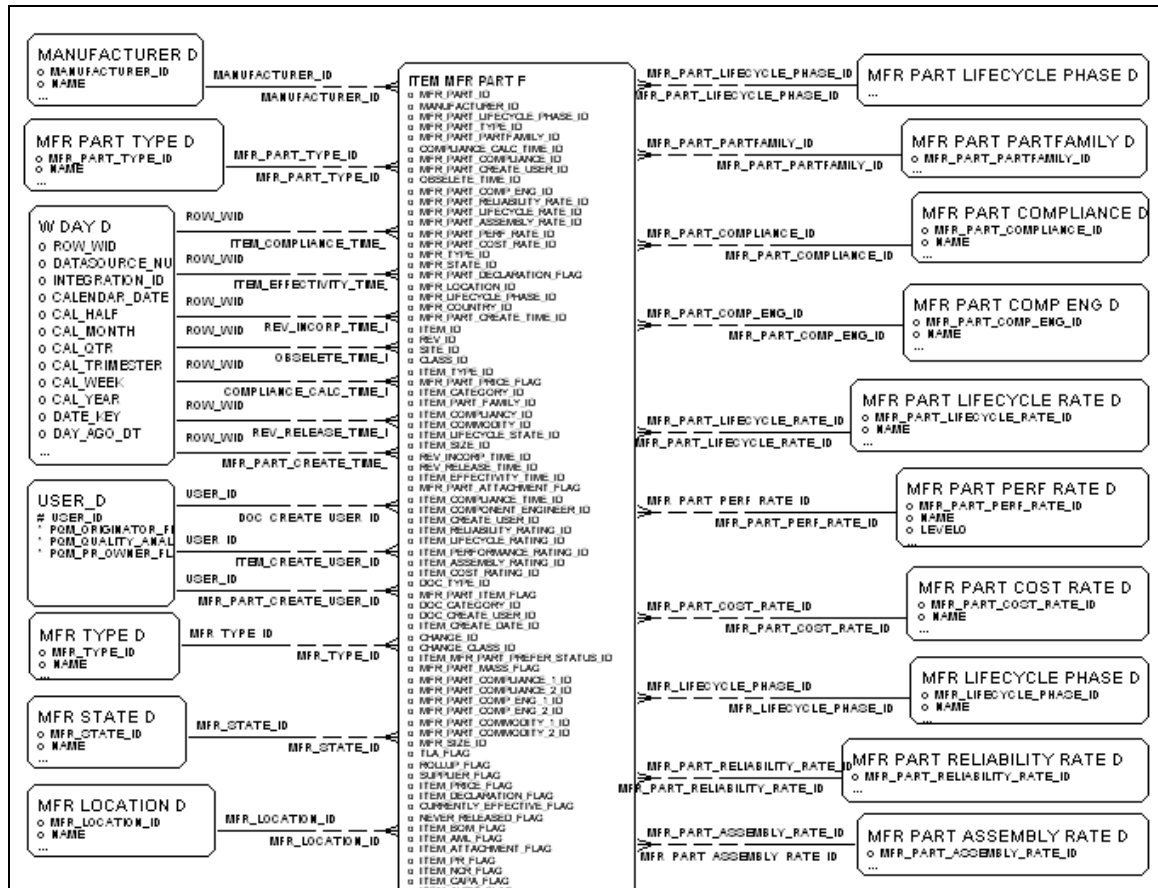
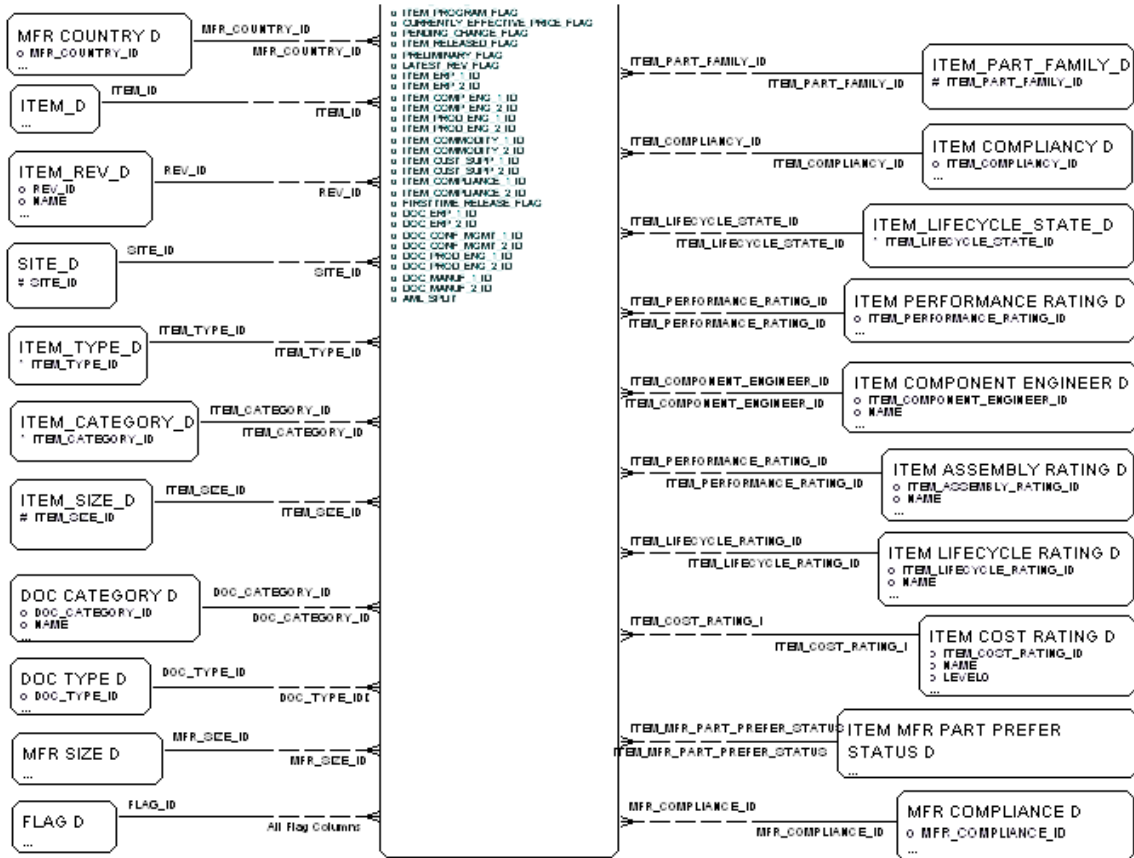


Diagram 2 of 2



# Manufacturer Change Order

## MCO Fact

Diagram 1 of 2

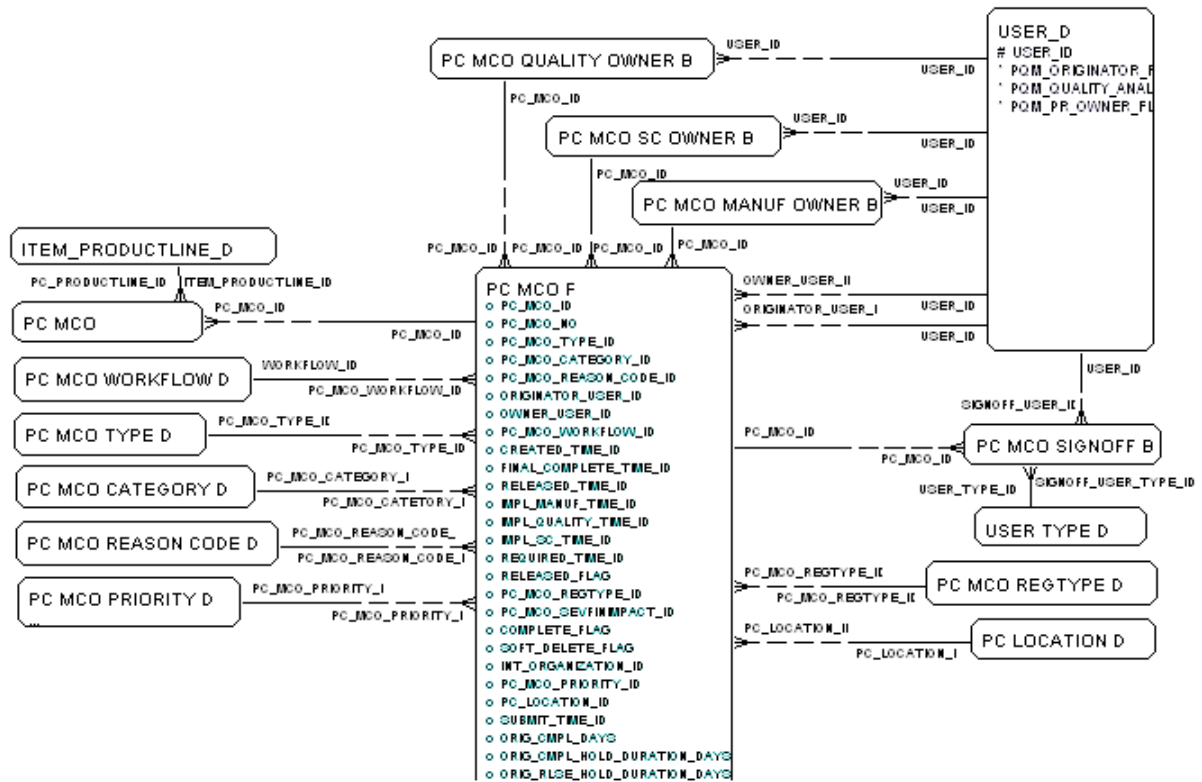
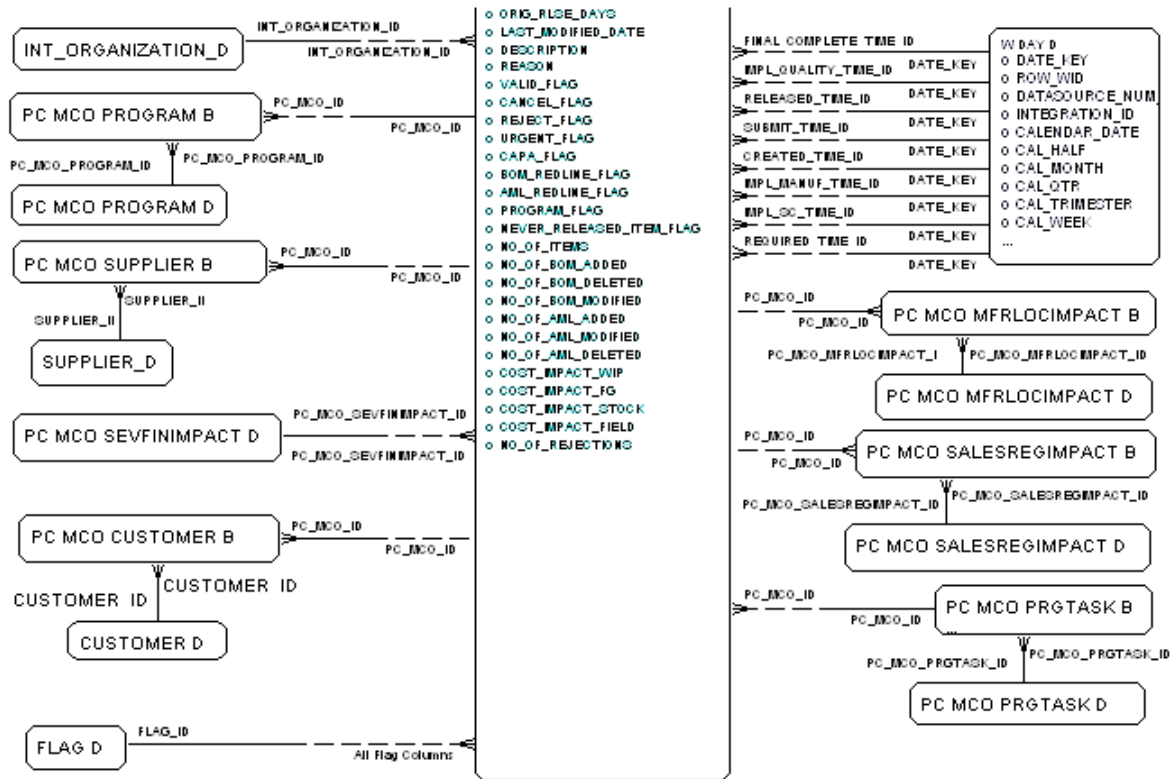


Diagram 2 of 2



# MCO Item Fact

Diagram 1 of 2

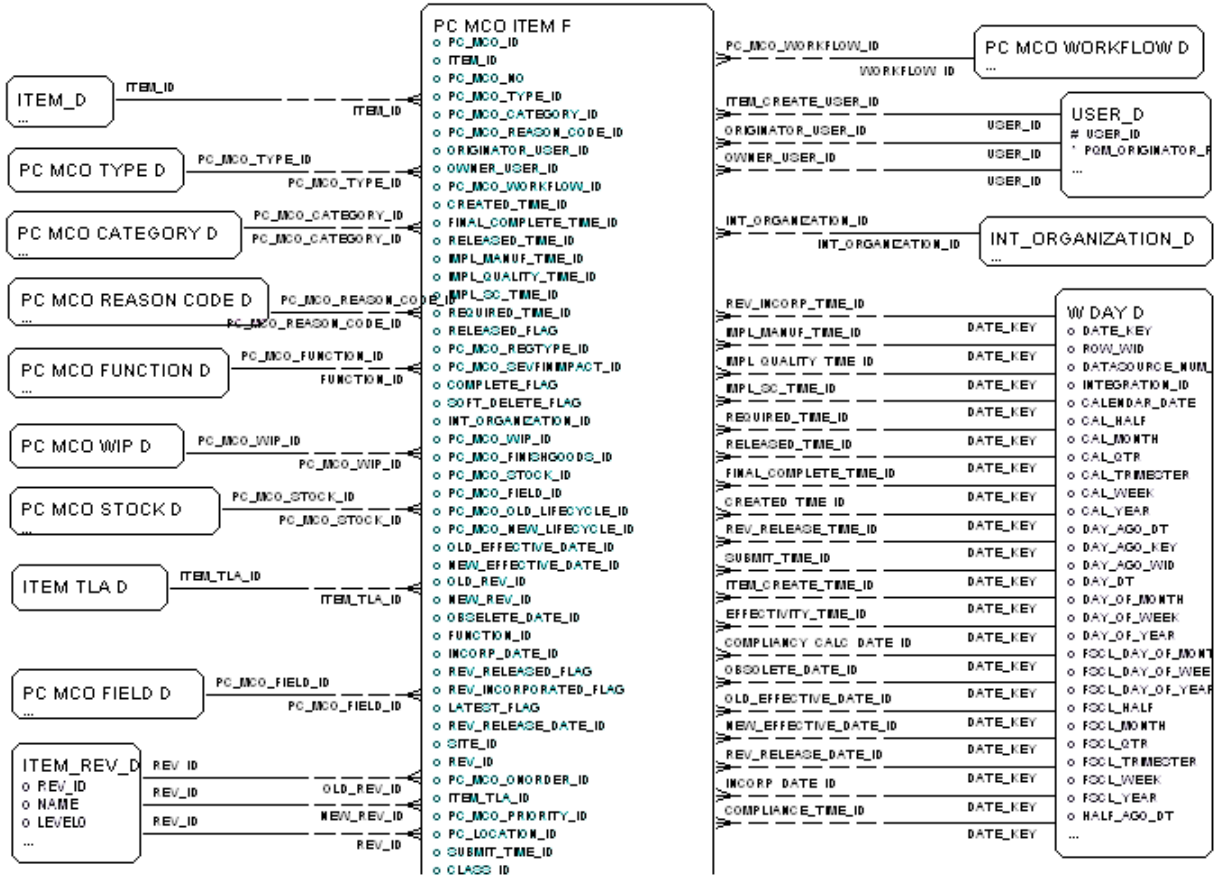
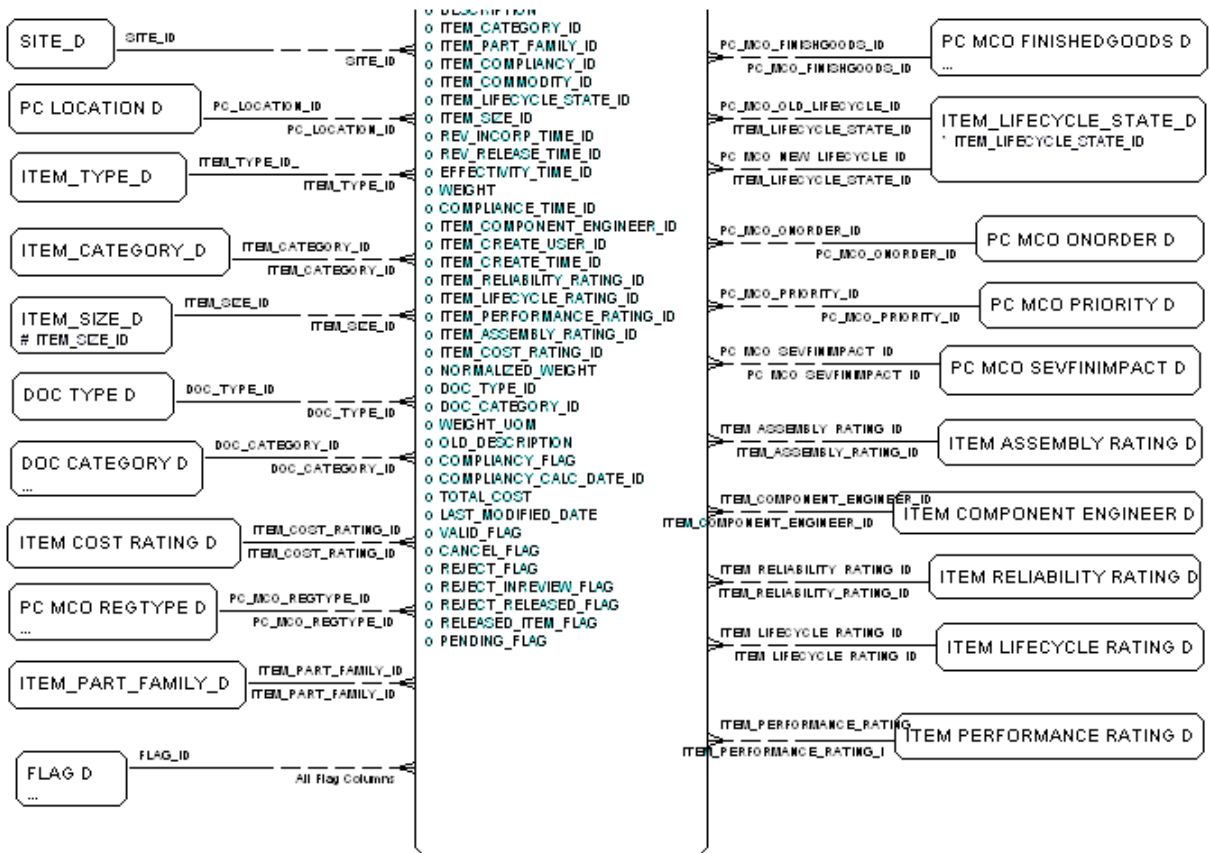
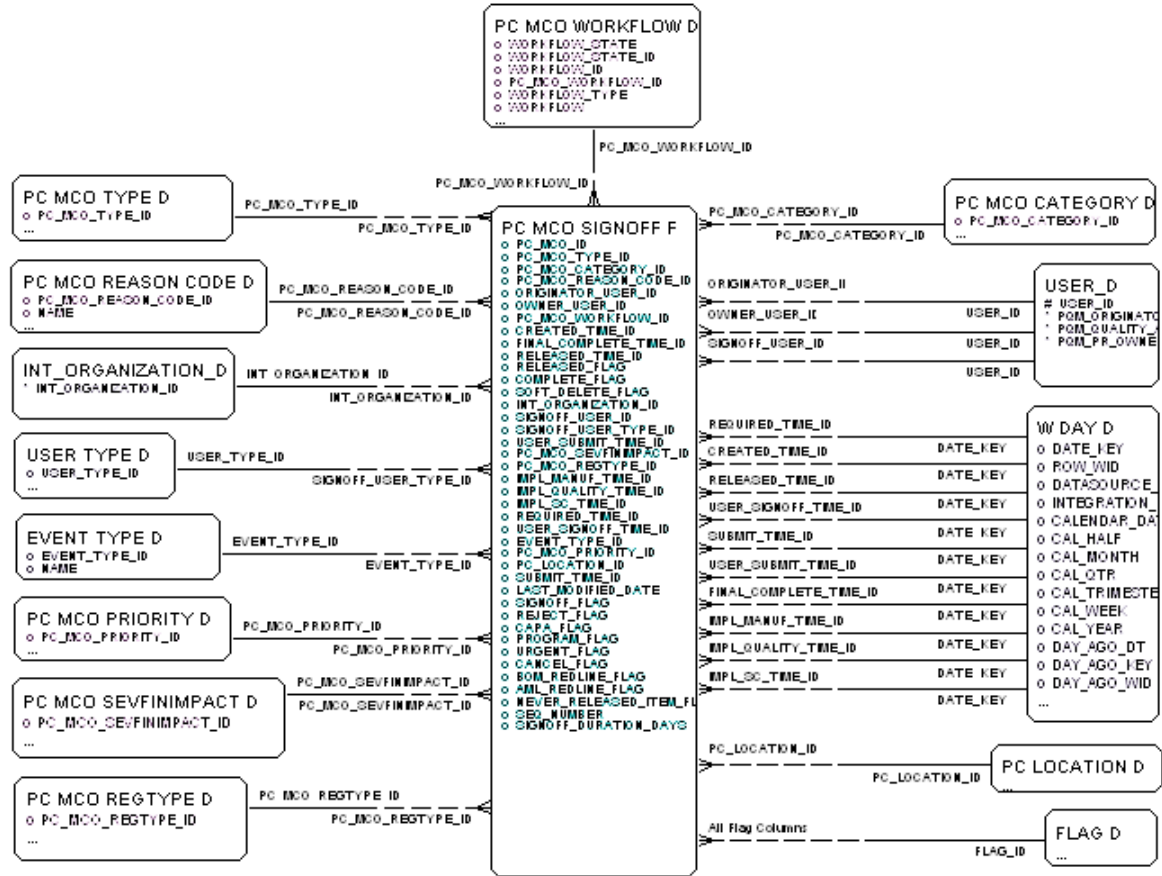


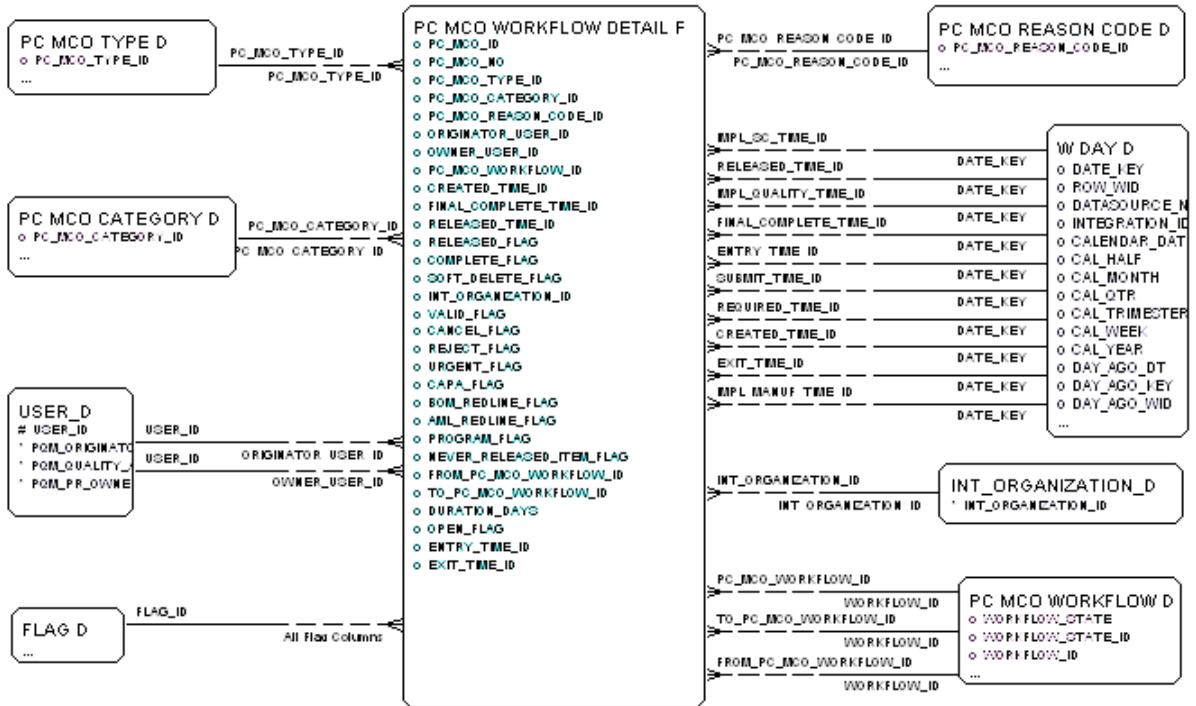
Diagram 2 of 2



# MCO Signoff Fact



## MCO Workflow Detail Fact



# Stop Ship

## Stop Ship Fact

Diagram 1 of 2

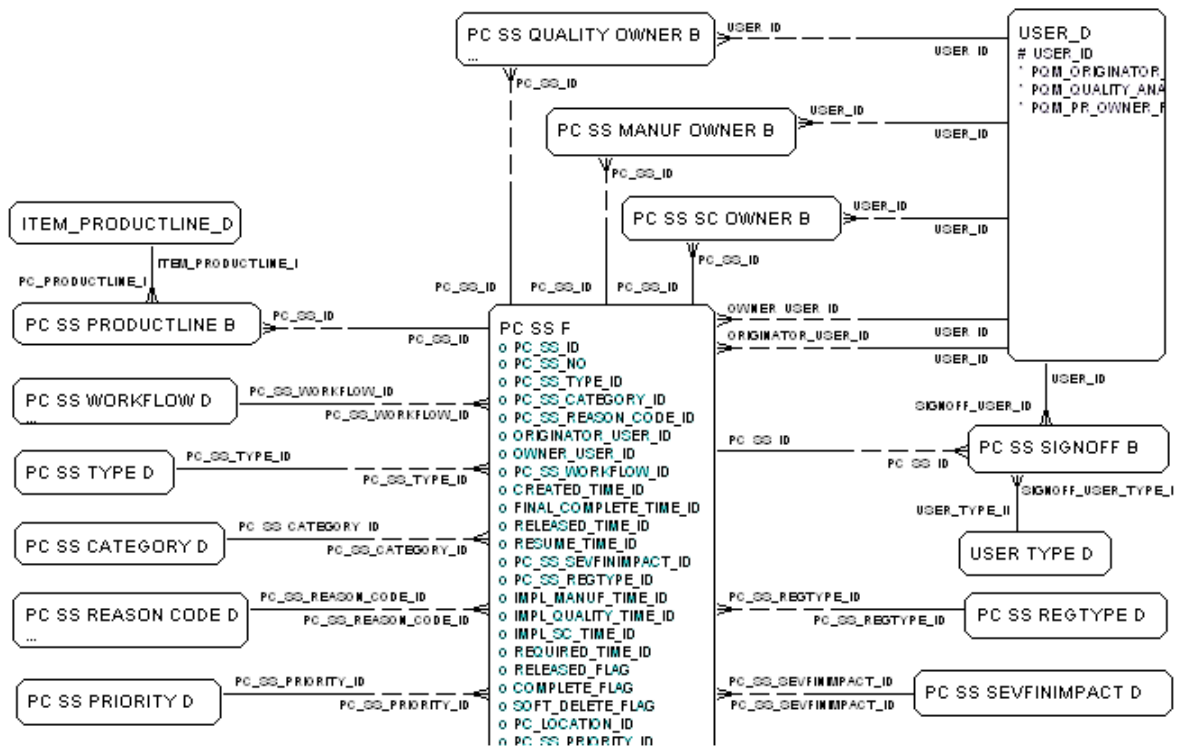
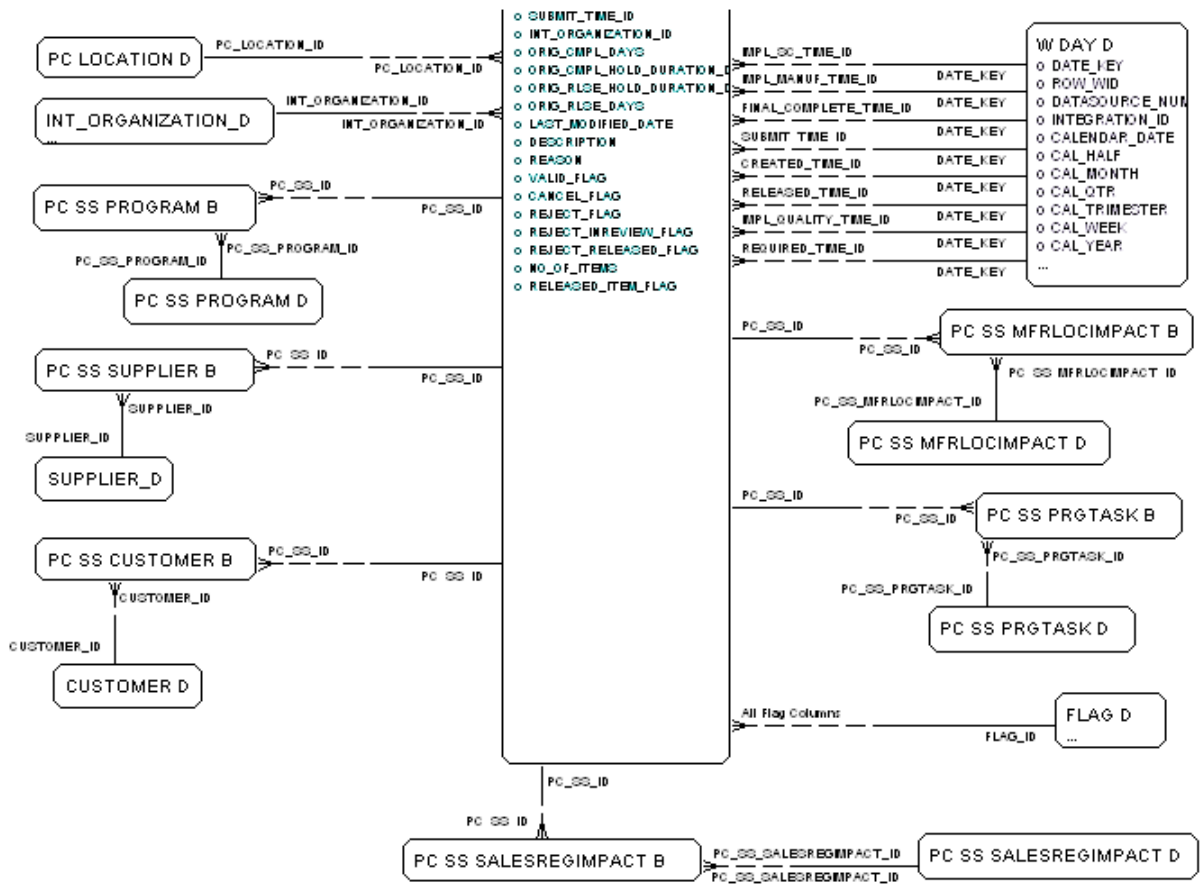


Diagram 2 of 2



# Stop Ship Item Fact

Diagram 1 of 2

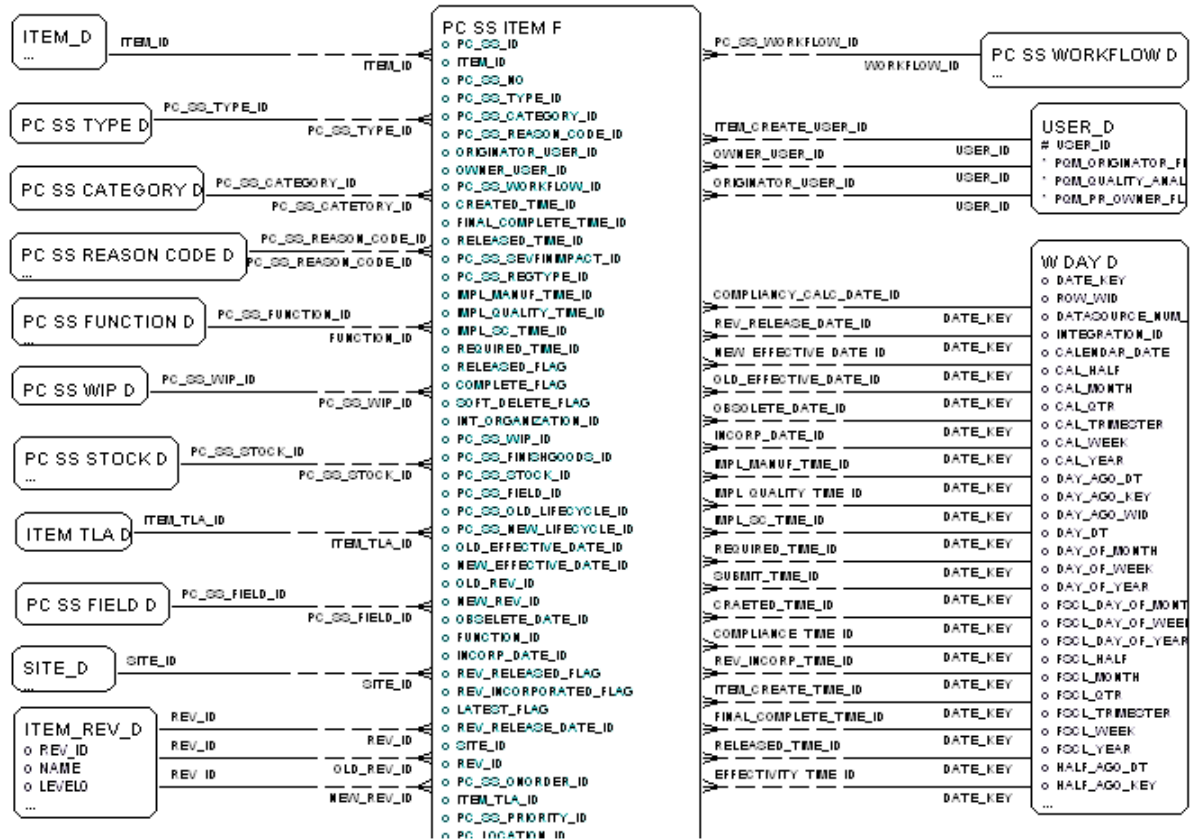
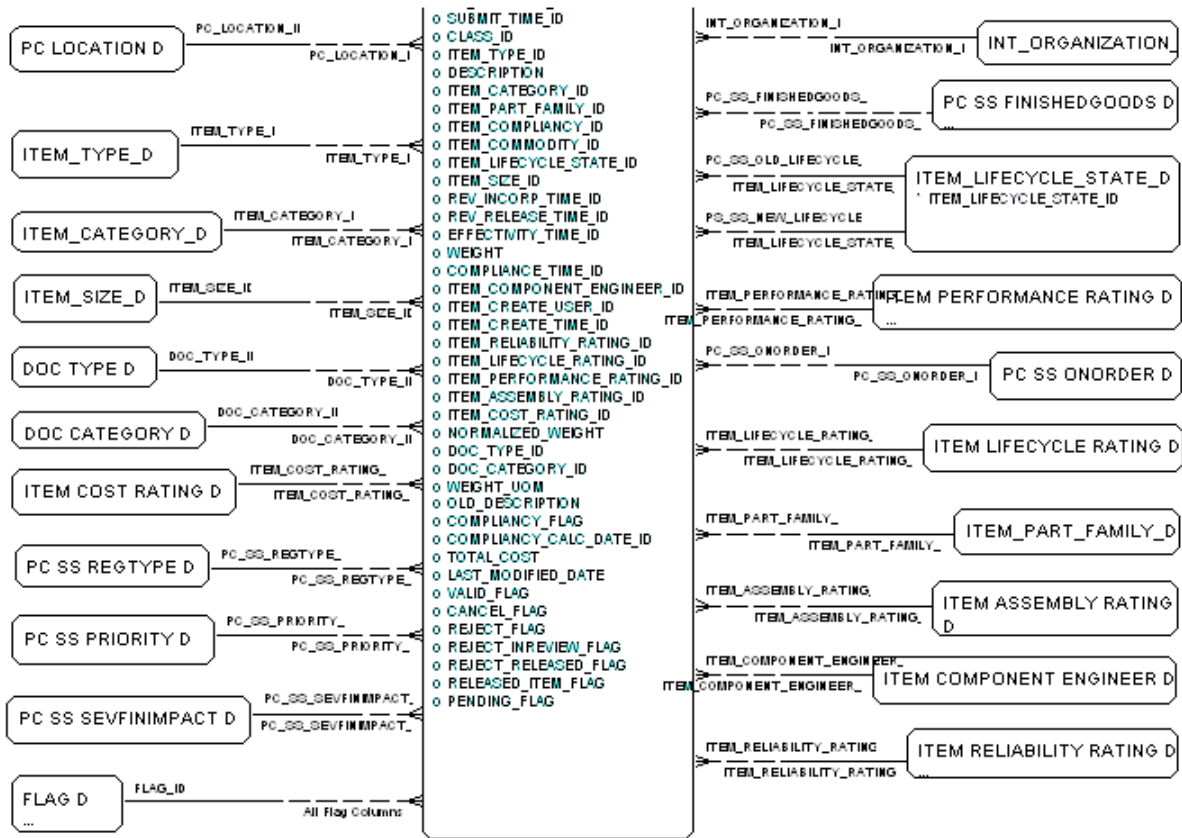
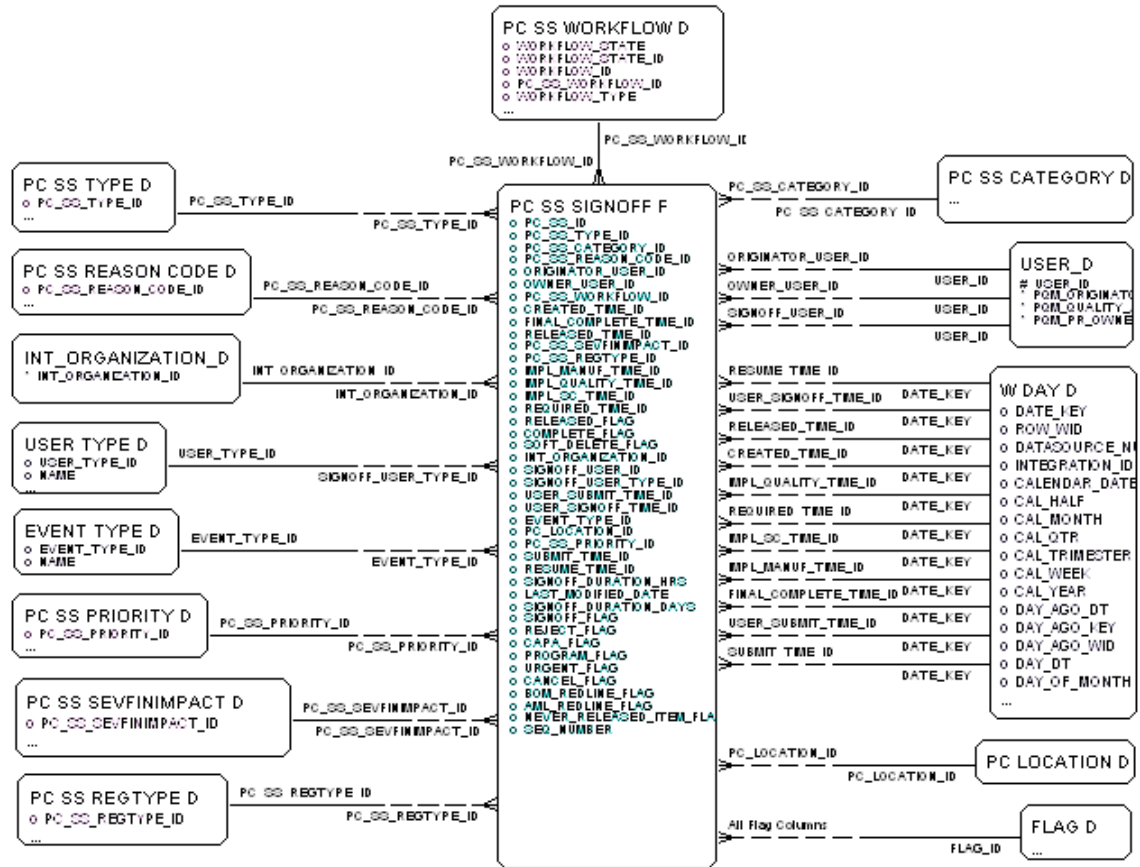


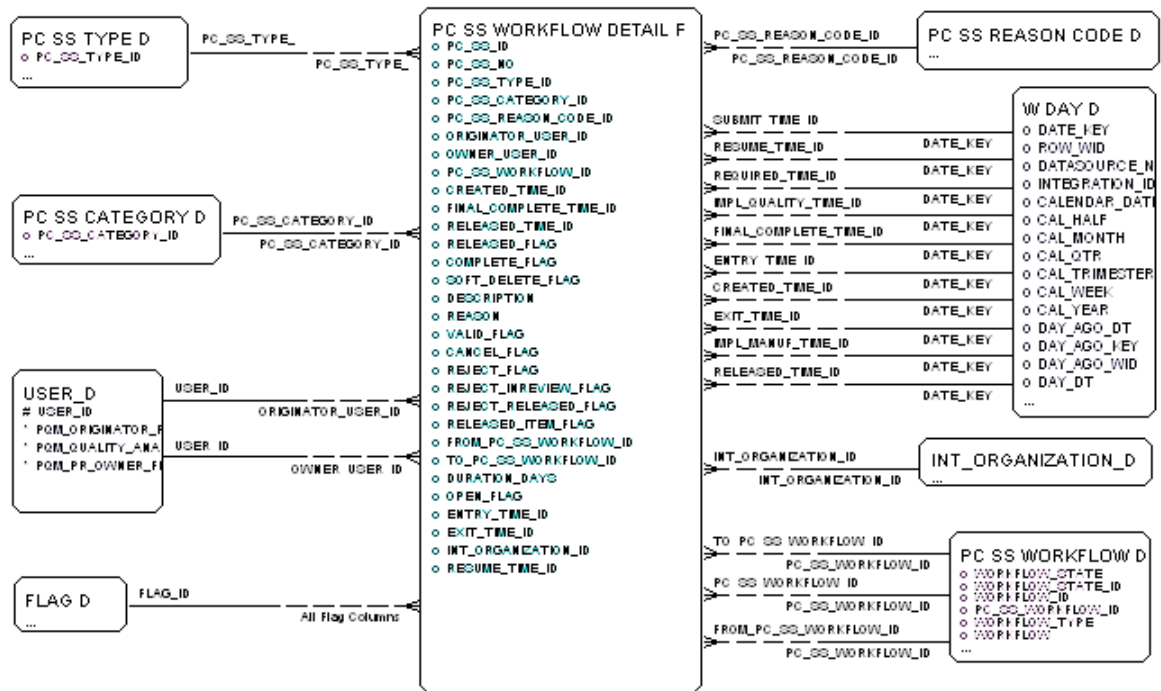
Diagram 2 of 2



# Stop Ship Signoff Fact



## Stop Ship Workflow Detail Fact



# PPM

## PPM - Activity

Diagram 1 of 2

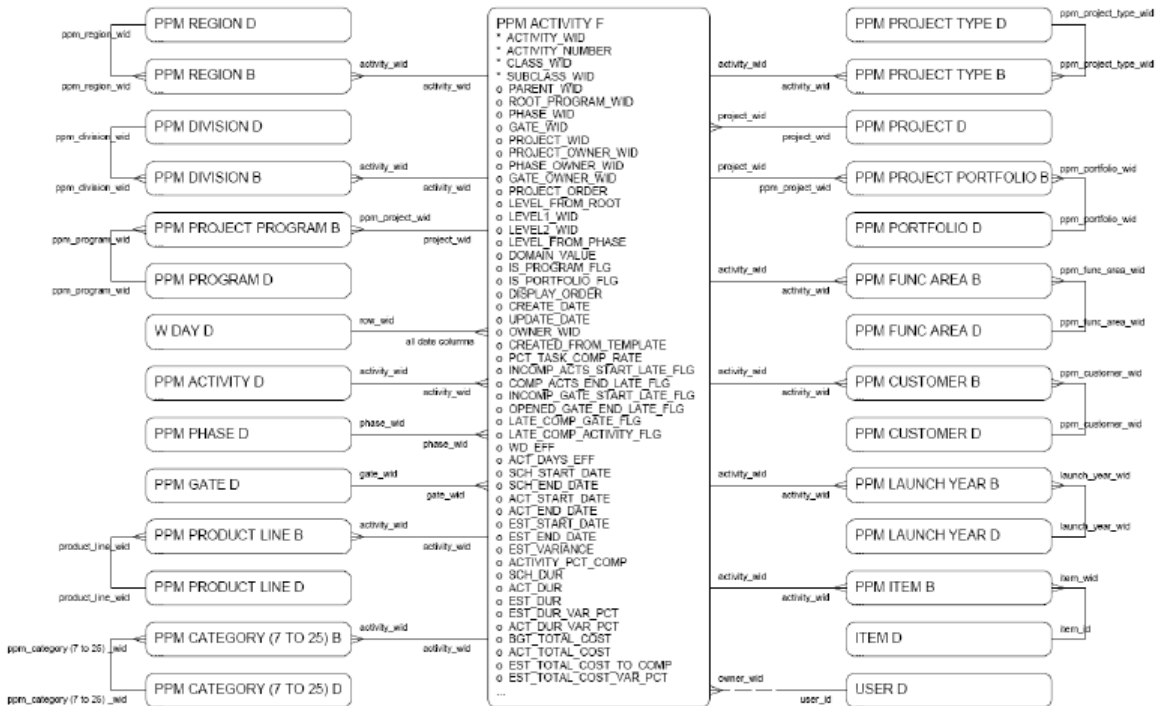
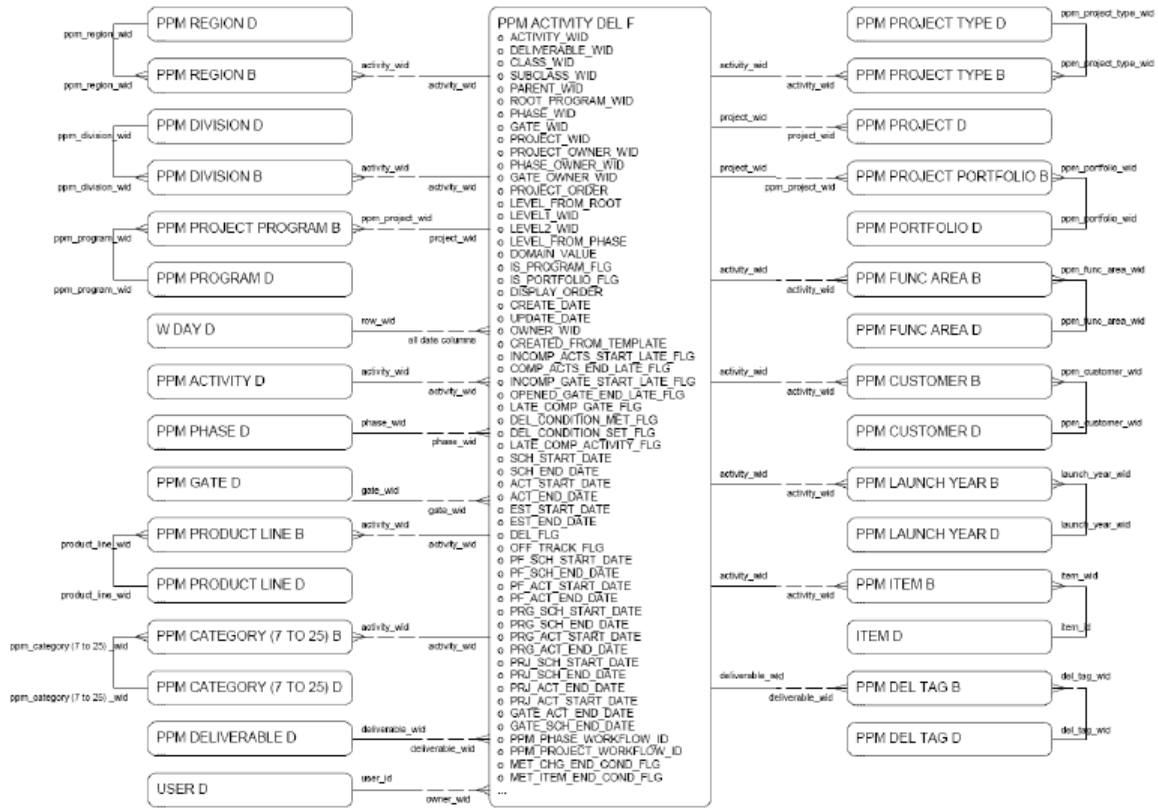
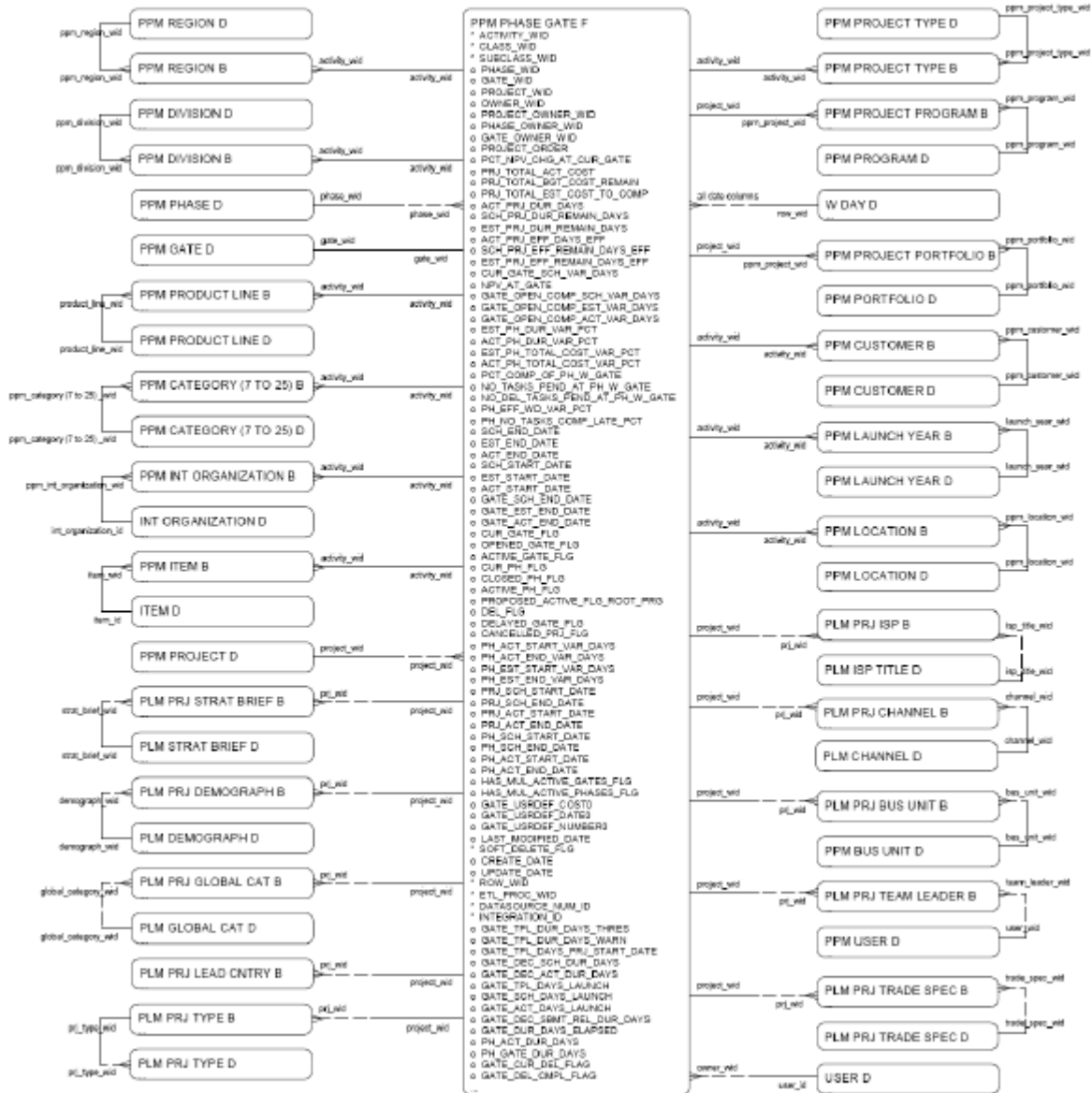


Diagram 2 of 2

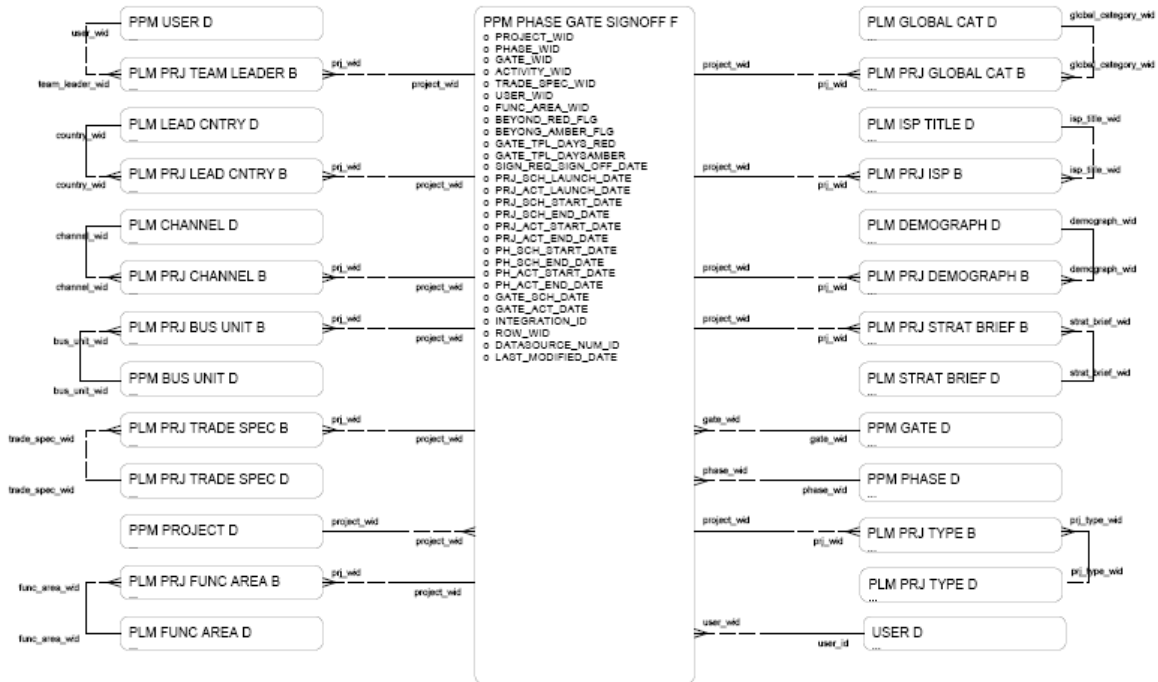




# PPM - Phase Gate



## Phase Gate Signoff



# PPM - Portfolio

Diagram 1 of 2

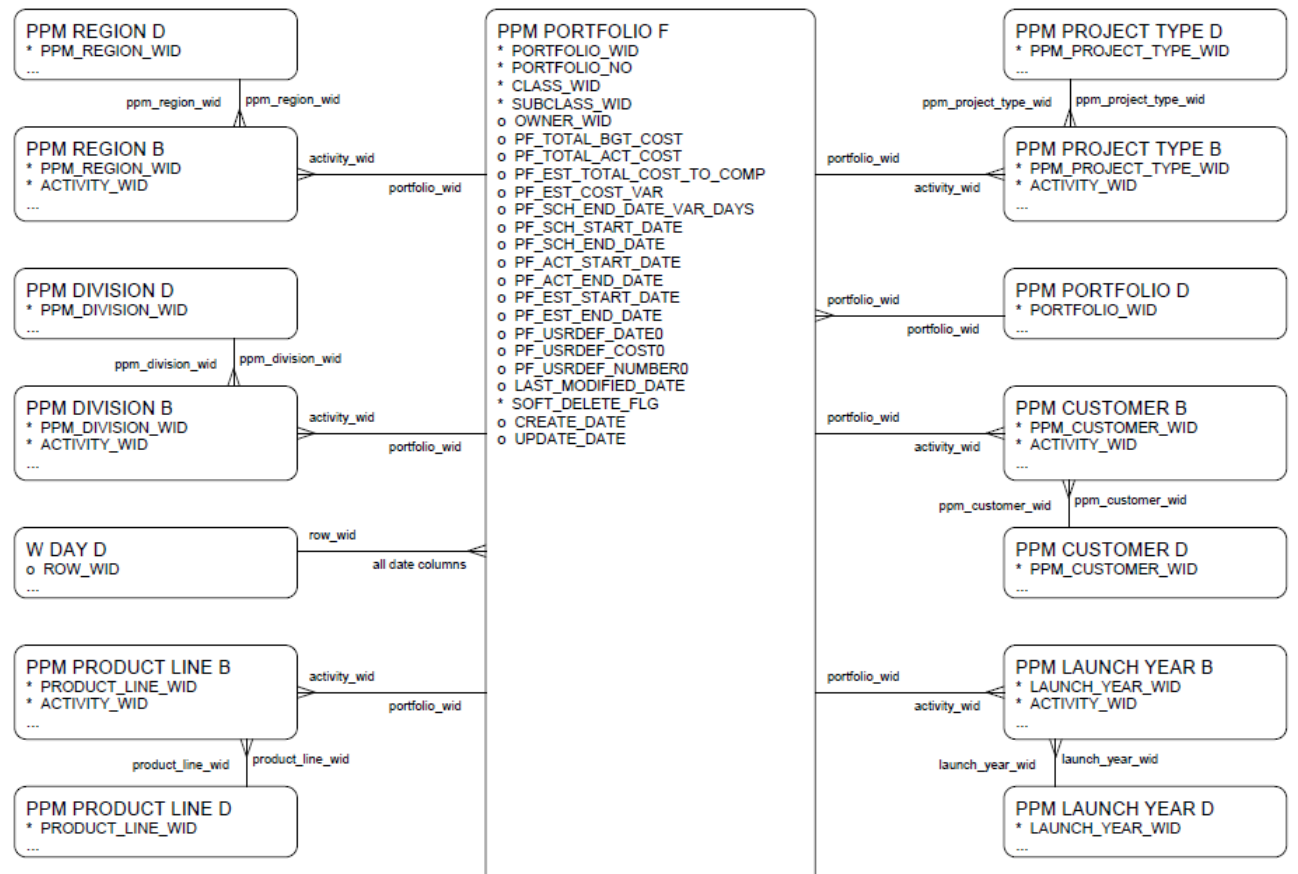


Diagram 2 of 2

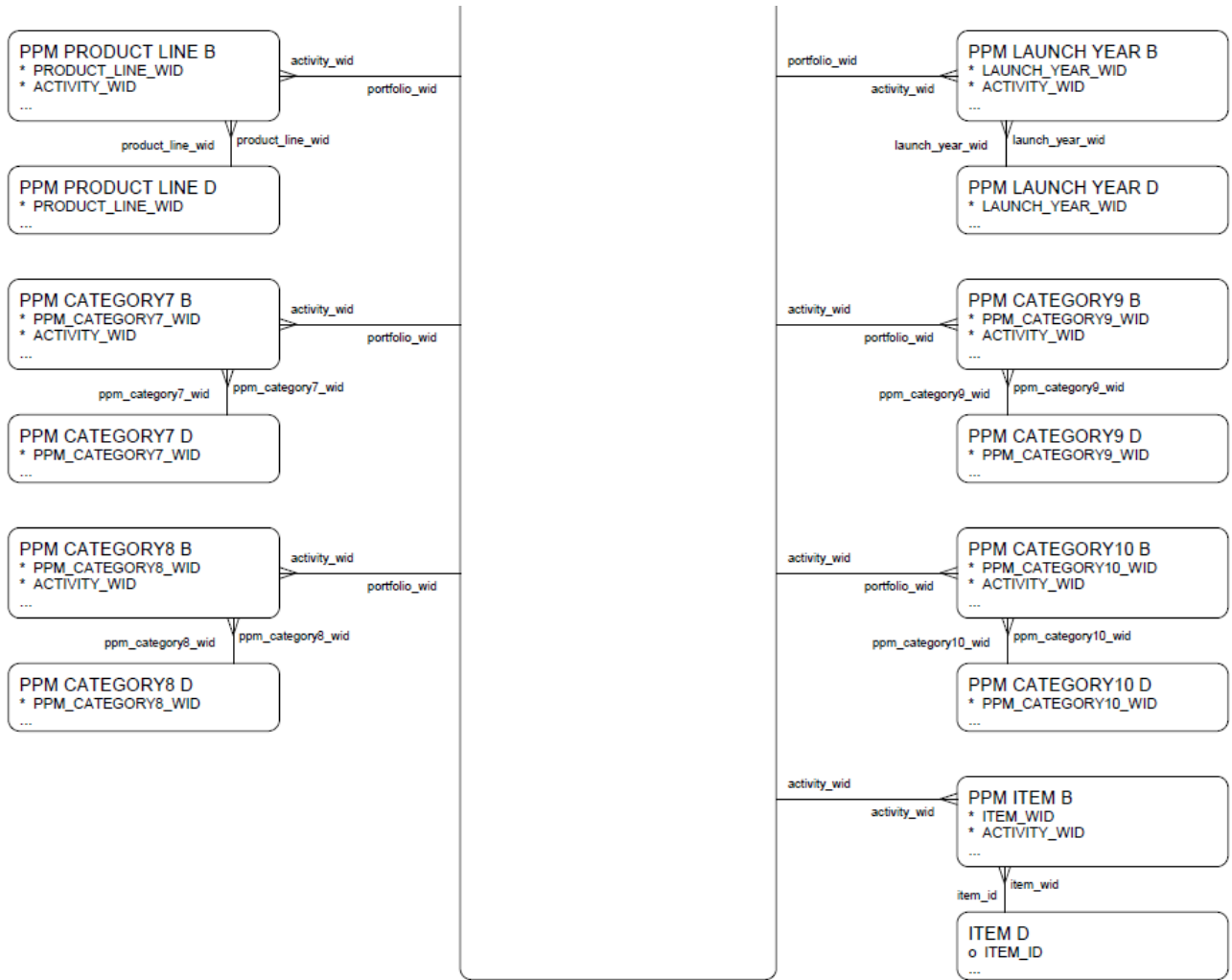
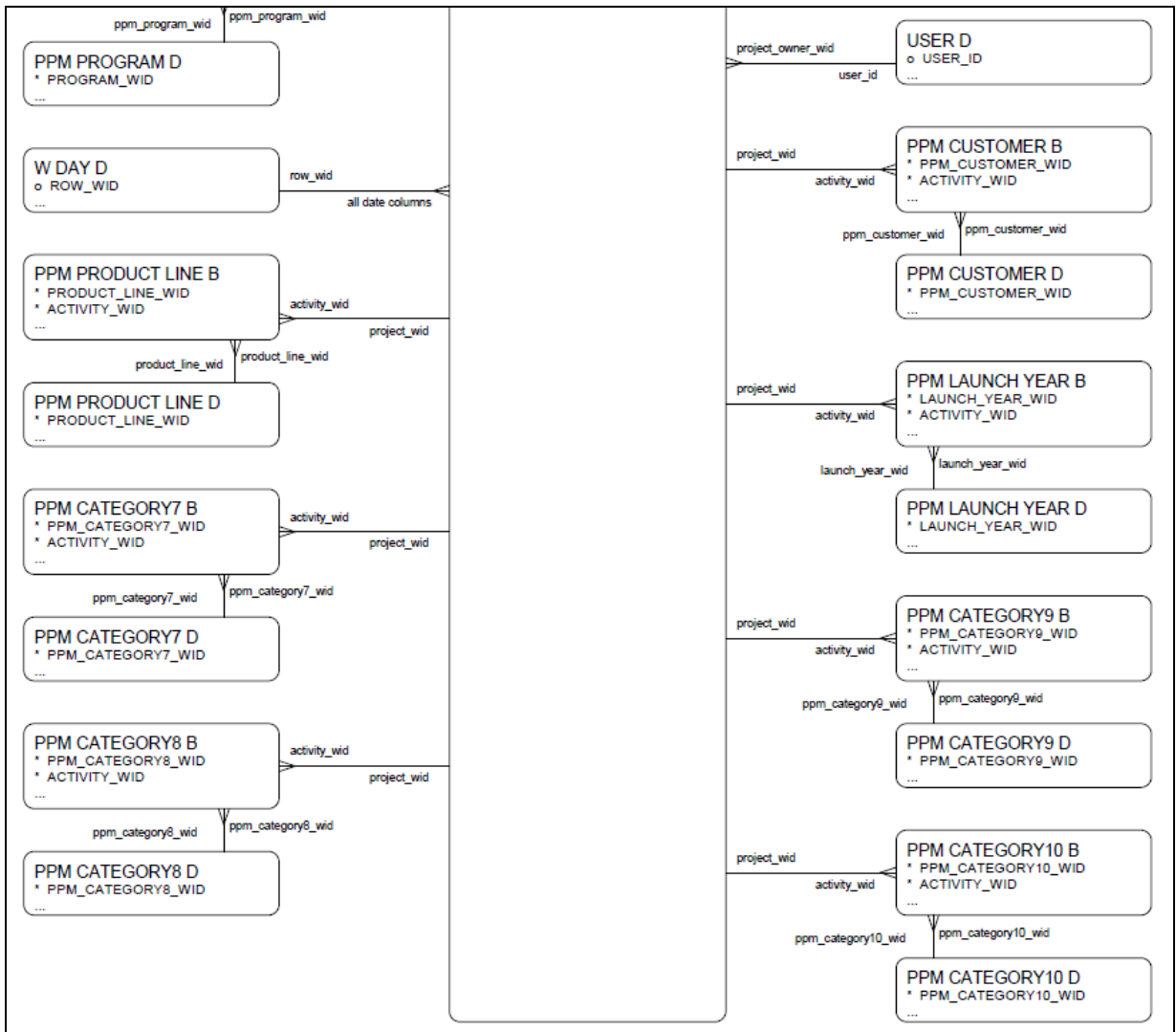


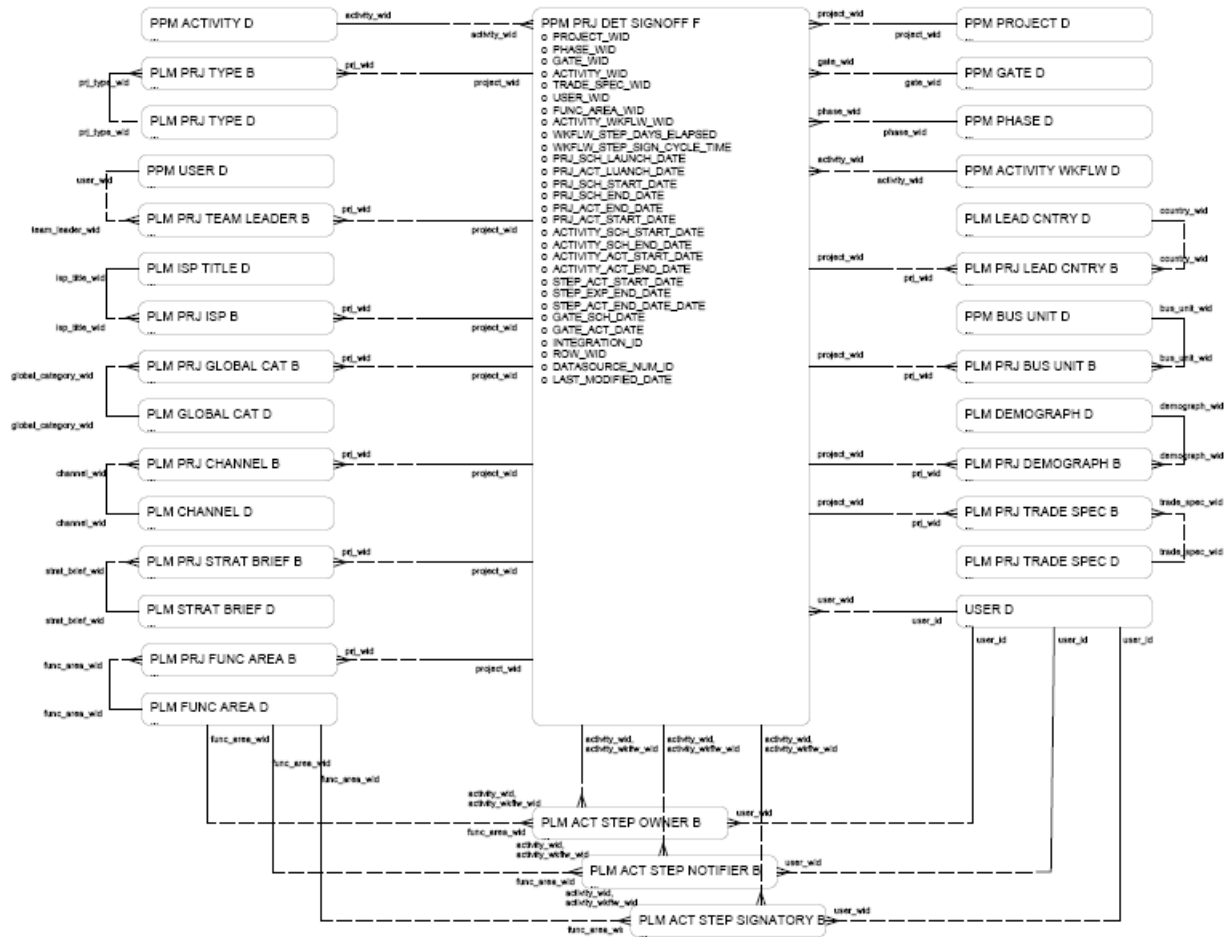


Diagram 2 of 2



# PPM - Project Details

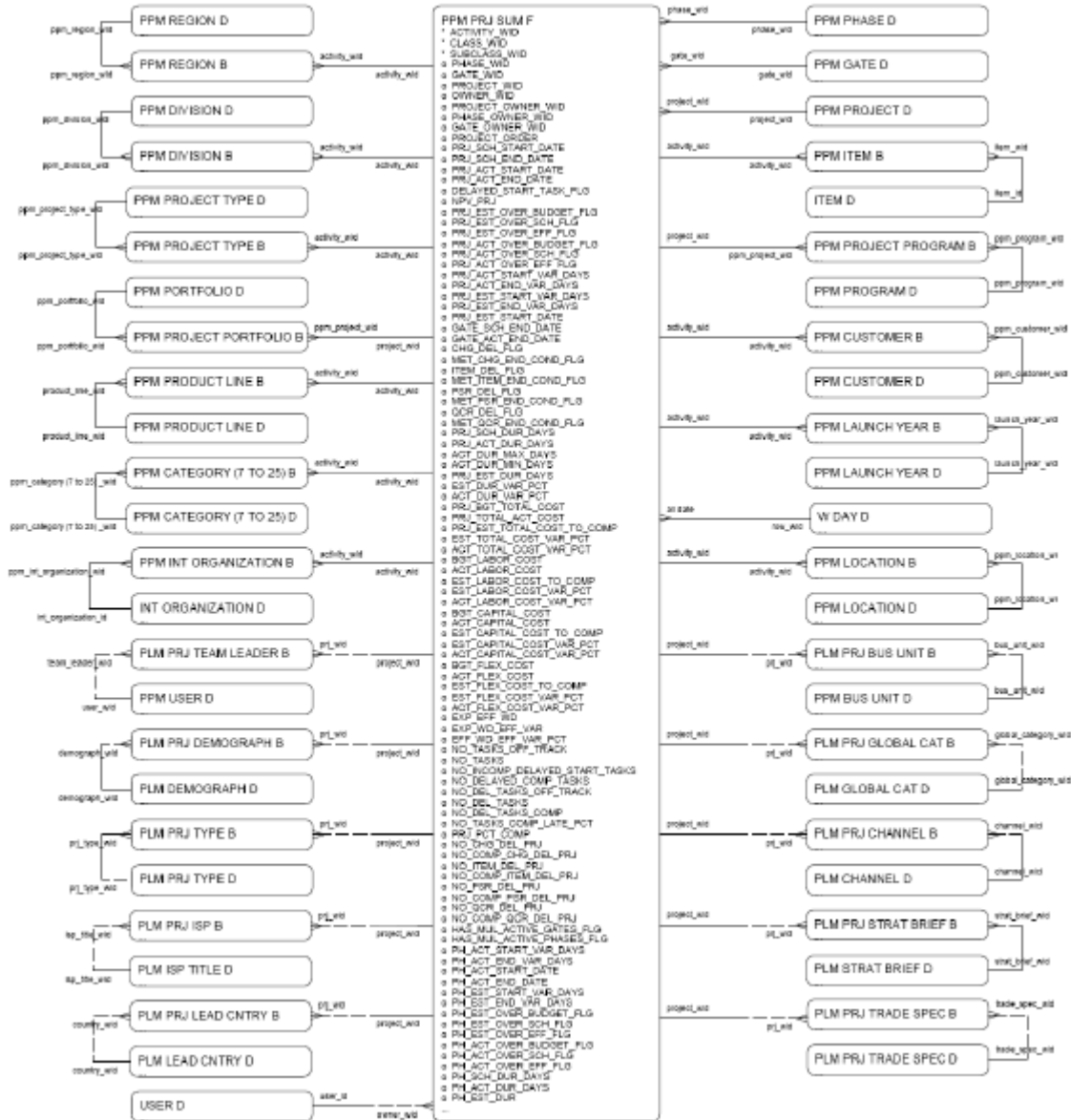
## Signoff



## Workflow



# PPM - Project Summary



# PPM - Project Forecast Revenue

Diagram 1 of 2

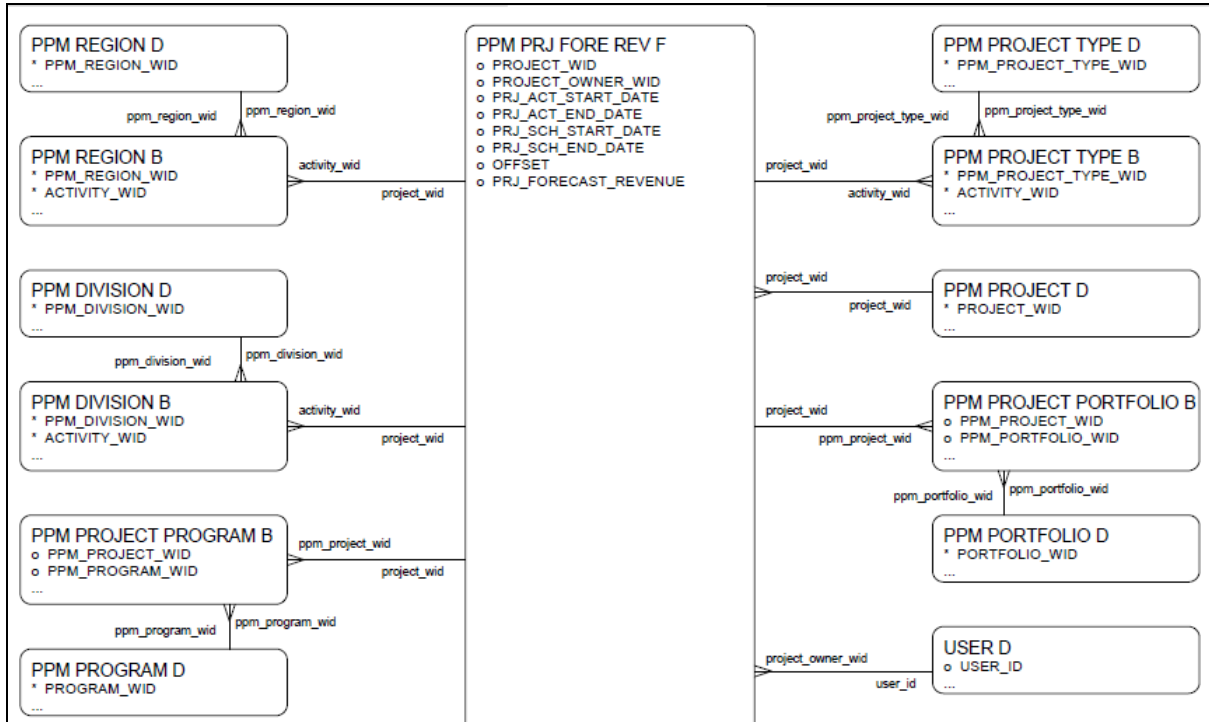
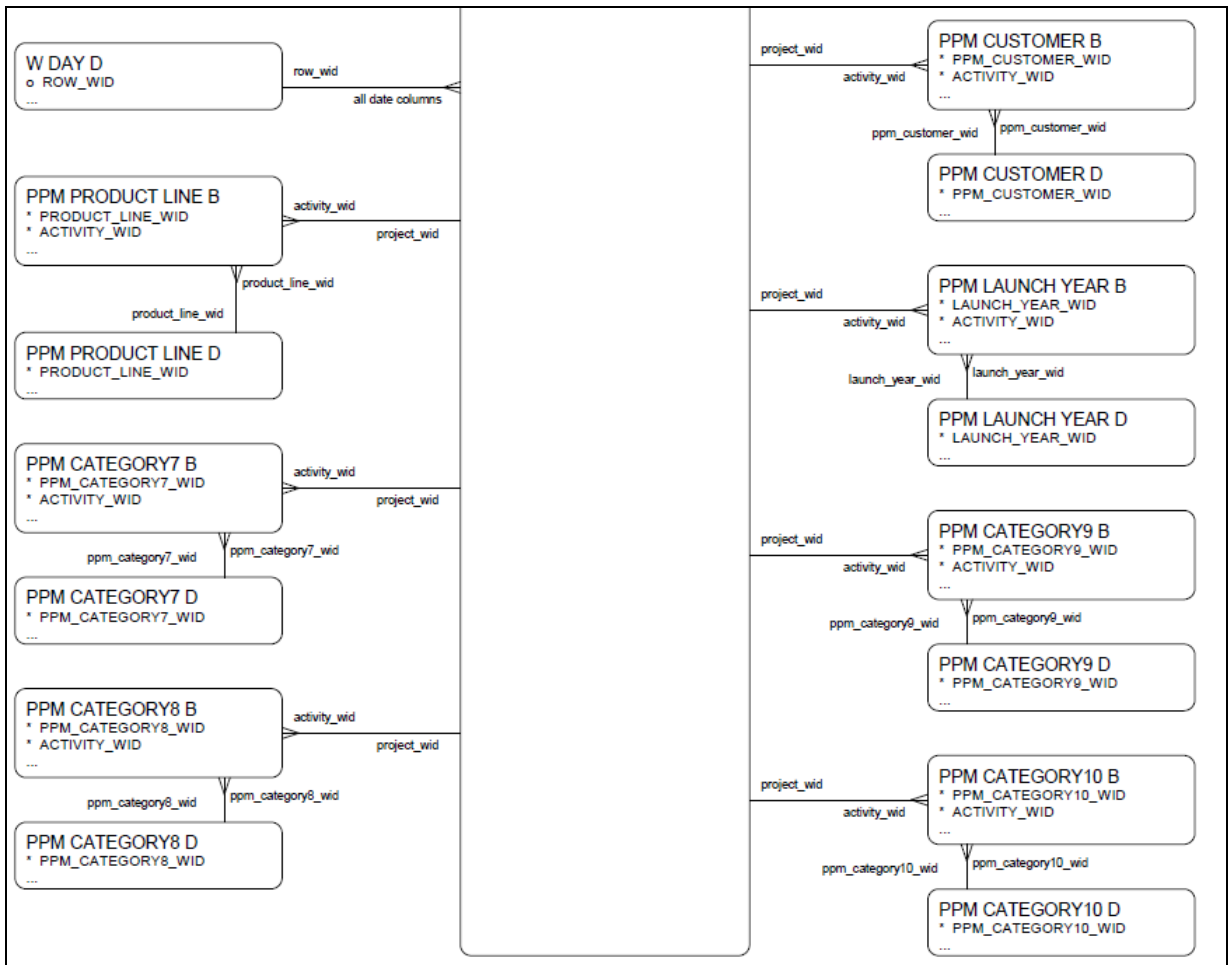


Diagram 2 of 2



# PPM - Program

Diagram 1 of 2

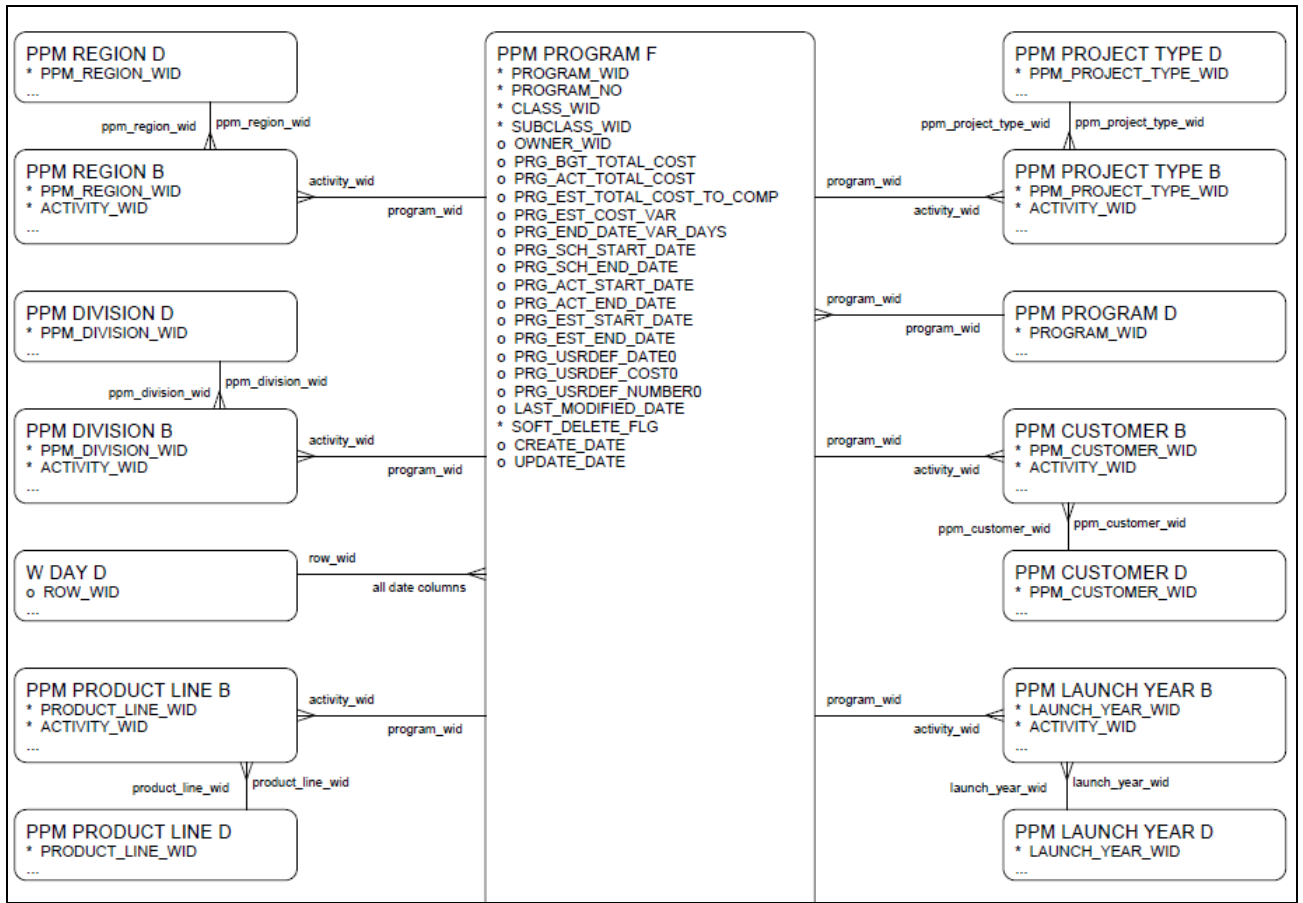
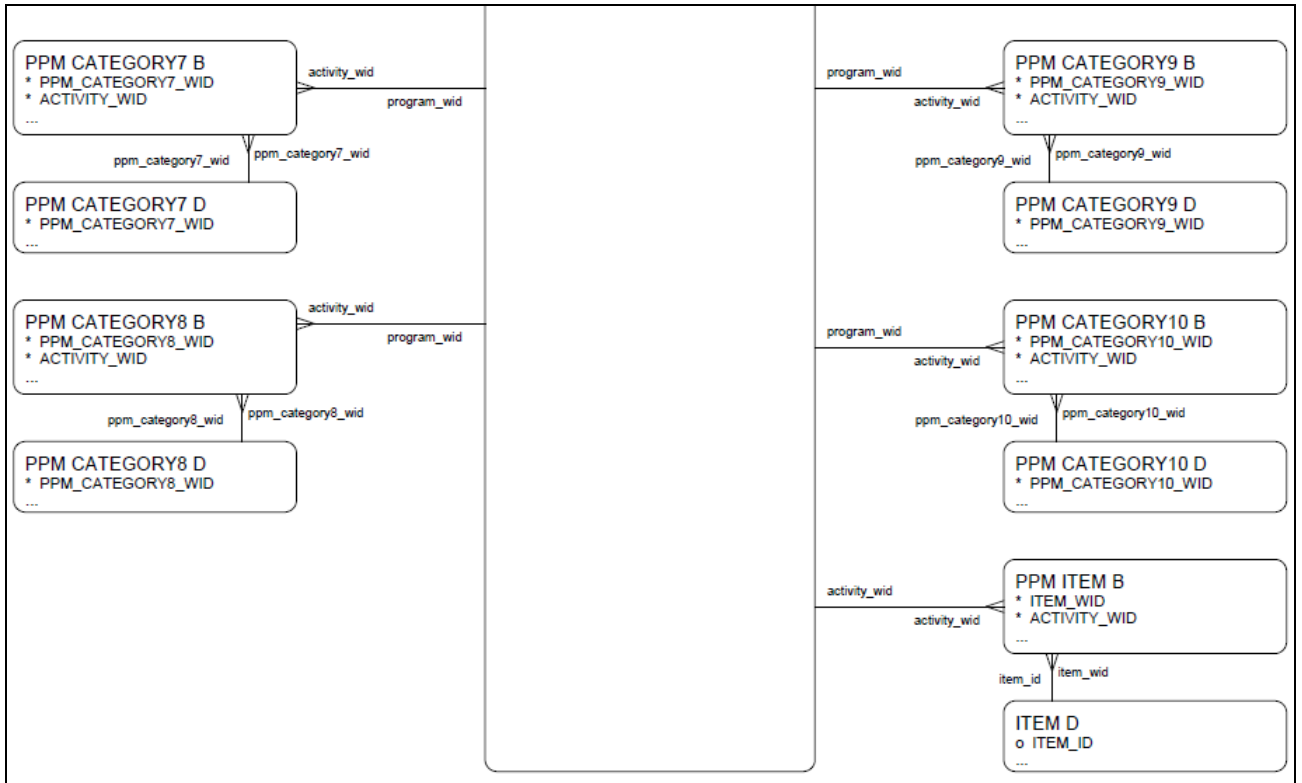
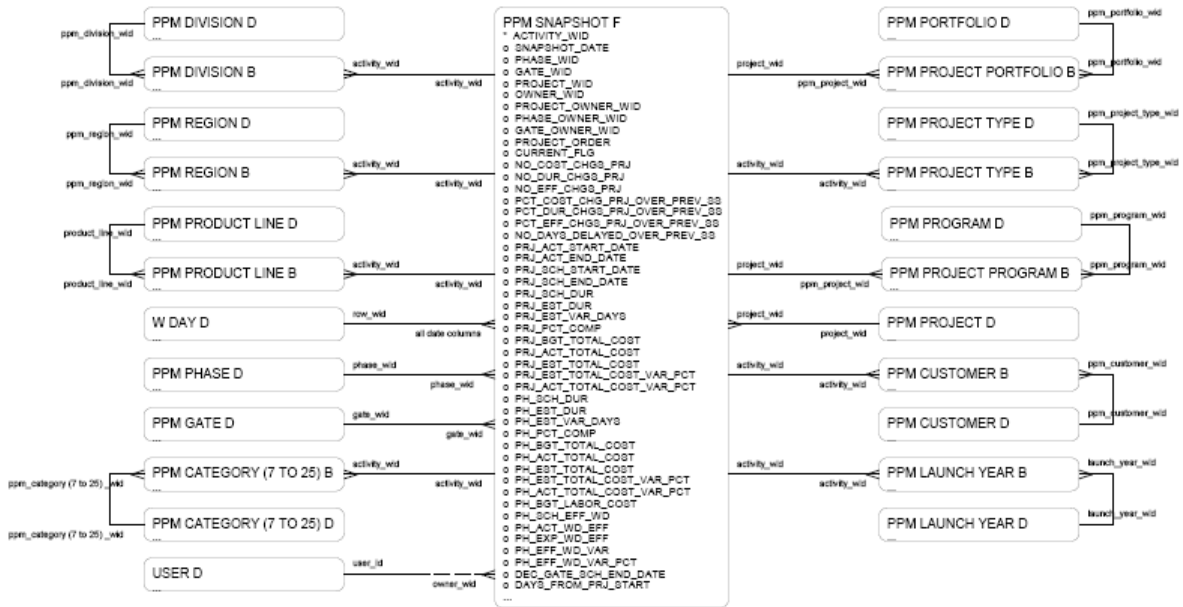


Diagram 2 of 2



# PPM - Snapshot



## Chapter 4

# Schema Data Reference

**BI\_DATA\_DICTIONARY**

Stores Mapping information about MDS tables including all the fact table source details and target mapping details.

Column	Type	Comments
ATT_ID	NUMBER	Attribute ID for Agile PLM business objects.
CLASS_ID	NUMBER	Agile PLM business object class type.
DERIVATION	VARCHAR2	ETL derivation logic if target fact column is defined (Derived = 1) to derive data from one or multiple Agile PLM source tables.
DERIVED	NUMBER	Flag to indicate if data for target fact column is derived from one or multiple Agile PLM tables. Value = 1 for derived and 0 for direct mapping.
FACT_TYPE	NUMBER	Used by ETL process. Value of 1 indicates base fact, 2 indicates affected item fact and 2.1 indicates read through.
FROM_POS	NUMBER	
IS_CONF	NUMBER	Flag to indicate if the target fact column can be configured to Agile PLM attribute. Value of 1 for configurable attribute, 0 for non configurable attribute.
IS_CREATED	NUMBER	For the purpose of Configurator, internal use.
LIST_ID	NUMBER	List ID associated with Agile PLM attribute.
LOGICAL_TABLE	VARCHAR2	
MASTER_LIST_ID	NUMBER	Master list ID, internal use.
MODULE	VARCHAR2	Reserved.
PLM_DATA_TYPE	VARCHAR2	PLM data type of the attribute.
SRC_COL	VARCHAR2	Source column name mapped to target fact column.
SRC_TABLE	VARCHAR2	Source table name mapped to target fact column.
TGT_COL	VARCHAR2	Target fact table column.
TGT_COL_LEN	NUMBER	Target fact column data length.
TGT_COL_PRECISION	NUMBER	Target fact column data precision.
TGT_COL_TYPE	VARCHAR2	Target fact column data type.
TGT_DIM_COL_NAME	VARCHAR2	Target Dimension table column name as foreign key to target fact column.
TGT_DIM_TABLE	VARCHAR2	Target Dimension table name.
TGT_MAP_DIM_COL_NAME	VARCHAR2	Column name of the bridge table between fact table and dimension table.
TGT_MAP_TABLE	VARCHAR2	Name of bridge table between fact table and bridge table.
TGT_TABLE	VARCHAR2	Target fact table name.

**BRIDGE\_CTL**

Reserved Table. ETL uses this mapping information to populate data into bridge tables.

Column	Type	Comments
SRC_COL	VARCHAR2	Column name of Agile PLM source bridge table.
SRC_TABLE	VARCHAR2	Agile PLM source bridge table.
TGT_COL	VARCHAR2	Column name of target bridge table.
TGT_TABLE	VARCHAR2	Target bridge table name.

**CLASS\_INFO\_D**

Class Info Dimension table. Stores the List of Classes Information.

Column	Type	Comments
BASE_CLASS_ID	NUMBER	Base object class type.
BASE_CLASS_NAME	VARCHAR2	Name of base object class.
CLASS_ID	NUMBER	Object class type.
CLASS_INFO_ID	LONG	Object info ID. Primary key that uniquely identifies the record.
CLASS_NAME	VARCHAR2	Name of object class.
DATASOURCE_NUM_ID	NUMBER	Reserved. This column, in future releases, will uniquely identify the source system from which data was extracted.
ENABLE	NUMBER	This flag indicates whether the Member is deleted or not enabled. 1 for yes and 0 for no. [Agile PLM] This field is derived and cannot be mapped to another Agile PLM attribute.
INTEGRATION_ID	VARCHAR2	Reserved. This column, in future releases, will be used to uniquely identify dimension or fact entity in its source system.
LAST_MODIFIED_DATE	DATE	Last Modified Date. [Agile PLM] This field is derived and cannot be mapped to another Agile PLM attribute.
LIST_ID	NUMBER	List ID associated with attribute.
ROW_ID	NUMBER	Reserved. In future releases, this will store Surrogate key to uniquely identify a record.

***CUSTOMER\_D***

Customers Dimension Table. This table is conforming across the PLM. Out of the box, this table is mapped to Customer Object in Agile PLM.

Column	Type	Comments
ADDRESS	VARCHAR2	Customer Address.
CITY	VARCHAR2	Customer City.
CONTACT	VARCHAR2	Contact.
COUNTRY	NUMBER	Customer Country.
CUSTOMER_ID	NUMBER	Primary key that uniquely identifies the record.
CUSTOMER_NO	VARCHAR2	Customer number
DATASOURCE_NUM_ID	NUMBER	Reserved. This column, in future releases, will uniquely identify the source system from which data was extracted.
DESCRIPTION	VARCHAR2	Description.
EMAIL	VARCHAR2	E-mail Address.
ENABLE	NUMBER	This flag indicates whether the Member is deleted or not enabled. 1 for yes and 0 for no. [Agile PLM] This field is derived and cannot be mapped to another Agile PLM attribute.
FAX	VARCHAR2	Fax Number.
GEOGRAPHY	NUMBER	Geography.
INTEGRATION_ID	VARCHAR2	Reserved. This column, in future releases, will be used to uniquely identify dimension or fact entity in its source system.
LAST_MODIFIED_DATE	DATE	Last Modified Date. [Agile PLM] This field is derived and cannot be mapped to another Agile PLM attribute.
LIST_ID	NUMBER	List ID associated with attribute.
NAME	VARCHAR2	Customer Name
PHONE	VARCHAR2	Phone Number.
ROW_ID	NUMBER	Reserved. In future releases, this will store Surrogate key to uniquely identify a record.
STATE	NUMBER	Customer State.
URL	VARCHAR2	URL.
ZIP	VARCHAR2	Zip Code.

**DOC\_CATEGORY\_D**

Document Category Dimension Table. This table is conforming across the fact tables in Item Subject Area. Out of the box, this table is mapped to the List configured to Category attribute of Item Class of Agile PLM.

Column	Type	Comments
DATASOURCE_NUM_ID	NUMBER	Reserved. This column, in future releases, will uniquely identify the source system from which data was extracted.
DOC_CATEGORY_ID	NUMBER	Primary key that uniquely identifies the record.
ENABLE	NUMBER	This flag indicates whether the Member is deleted or not enabled. 1 for yes and 0 for no. [Agile PLM] This field is derived and cannot be mapped to another Agile PLM attribute.
INTEGRATION_ID	VARCHAR2	Reserved. This column, in future releases, will be used to uniquely identify dimension or fact entity in its source system.
LAST_MODIFIED_DATE	DATE	Last modified date. [Agile PLM] This field is derived and cannot be mapped to another Agile PLM attribute.
LIST_ID	NUMBER	List ID associated with attribute.
NAME	VARCHAR2	Document Category Name
ROW_ID	NUMBER	Reserved. In future releases, this will store Surrogate key to uniquely identify a record.

**DOC\_CONF\_MGMT\_1\_D**

Document Configuration Management Dimension Table. This table is conforming across the fact tables in the Item Subject Area. Out of the box, this table is not populated with Agile PLM data. The table is populated only when the Agile PLM attributes are mapped using BI Configurator.

Column	Type	Comments
DATASOURCE_NUM_ID	NUMBER	Reserved. This column, in future releases, will uniquely identify the source system from which data was extracted.
DOC_CONF_MGMT_1_ID	NUMBER	Primary key that uniquely identifies configuration management type 1. [Agile PLM] Out of the box this defined column is not mapped to any Agile PLM attributes. Use the BI Configurator to map this column to an Agile PLM attribute. Primary key that uniquely identifies the record.
ENABLE	NUMBER	This flag indicates whether the Member is deleted or not enabled. 1 for yes and 0 for no. [Agile PLM] This field is derived and cannot be mapped to another Agile PLM attribute.
INTEGRATION_ID	VARCHAR2	Reserved. This column, in future releases, will be used to uniquely identify dimension or fact entity in its source system.
LAST_MODIFIED_DATE	DATE	Last modified date. [Agile PLM] This field is derived and cannot be mapped to another Agile PLM attribute.
LIST_ID	NUMBER	List ID associated with attribute.
NAME	VARCHAR2	Document Configuration Mangement Name
ROW_ID	NUMBER	Reserved. In future releases, this will store Surrogate key to uniquely identify a record.

**DOC\_CONF\_MGMT\_2\_D**

Document Configuration Management Dimension Table. This table is conforming across the fact tables in the Item Subject Area. Out of the box, this table is not populated with Agile PLM data. The table is populated only when the Agile PLM attributes are mapped using BI Configurator.

Column	Type	Comments
DATASOURCE_NUM_ID	NUMBER	Reserved. This column, in future releases, will uniquely identify the source system from which data was extracted.
DOC_CONF_MGMT_2_ID	NUMBER	Primary key that uniquely identifies configuration management type 2. [Agile PLM] Out of the box this defined column is not mapped to any Agile PLM attributes. Use the BI Configurator to map this column to an Agile PLM attribute. Primary key that uniquely identifies the record.
ENABLE	NUMBER	This flag indicates whether the Member is deleted or not enabled. 1 for yes and 0 for no. [Agile PLM] This field is derived and cannot be mapped to another Agile PLM attribute.
INTEGRATION_ID	VARCHAR2	Reserved. This column, in future releases, will be used to uniquely identify dimension or fact entity in its source system.
LAST_MODIFIED_DATE	DATE	Last modified date. [Agile PLM] This field is derived and cannot be mapped to another Agile PLM attribute.
LIST_ID	NUMBER	List ID associated with attribute.
NAME	VARCHAR2	Document Configuration Mangement Name
ROW_ID	NUMBER	Reserved. In future releases, this will store Surrogate key to uniquely identify a record.

**DOC\_CONF\_MGMT\_3\_B**

Configuration Management Bridge table. Maintains data between DOC\_CONF\_MGMT\_3\_D table and Item fact to resolve many to many relationships. Out of the box, this table is not populated with Agile PLM data. The table is populated only when the Agile PLM attributes are mapped using BI Configurator.

Column	Type	Comments
DATASOURCE_NUM_ID	NUMBER	Reserved. This column, in future releases, will uniquely identify the source system from which data was extracted.
DOC_CONF_MGMT_3_ID	NUMBER	Document Configuration Management 3. [Agile PLM] Out of the box this defined column is not mapped to any Agile PLM attributes. Use the BI Configurator to map this column to an Agile PLM attribute.
INTEGRATION_ID	VARCHAR2	Reserved. This column, in future releases, will be used to uniquely identify dimension or fact entity in its source system.
ITEM_ID	NUMBER	Item ID.
ROW_ID	NUMBER	Reserved. In future releases, this will store Surrogate key to uniquely identify a record.

**DOC\_CONF\_MGMT\_3\_D**

Document Configuration Management Dimension Table. This table is conforming across the fact tables in the Item Subject Area. Out of the box, this table is not populated with Agile PLM data. The table is populated only when the Agile PLM attributes are mapped using BI Configurator.

Column	Type	Comments
DATASOURCE_NUM_ID	NUMBER	Reserved. This column, in future releases, will uniquely identify the source system from which data was extracted.
DOC_CONF_MGMT_3_ID	NUMBER	Document Configuration Management 3. [Agile PLM] Out of the box this defined column is not mapped to any Agile PLM attributes. Use the BI Configurator to map this column to an Agile PLM attribute.
ENABLE	NUMBER	This flag indicates whether the Member is deleted or not enabled. 1 for yes and 0 for no. [Agile PLM] This field is derived and cannot be mapped to another Agile PLM attribute.
INTEGRATION_ID	VARCHAR2	Reserved. This column, in future releases, will be used to uniquely identify dimension or fact entity in its source system.
LAST_MODIFIED_DATE	DATE	Last modified date. [Agile PLM] This field is derived and cannot be mapped to another Agile PLM attribute.
LIST_ID	NUMBER	List ID associated with attribute.
NAME	VARCHAR2	Document Configuration Mangement Name
ROW_ID	NUMBER	Reserved. In future releases, this will store Surrogate key to uniquely identify a record.

**DOC\_ERP\_1\_D**

Document ERP Dimension Table. This table is conforming across the fact tables in the Item Subject Area. Out of the box, this table is not populated with Agile PLM data. The table is populated only when the Agile PLM attributes are mapped using BI Configurator.

Column	Type	Comments
DATASOURCE_NUM_ID	NUMBER	Reserved. This column, in future releases, will uniquely identify the source system from which data was extracted.
DOC_ERP_1_ID	NUMBER	Primary key that uniquely identifies ERP code. [Agile PLM] Out of the box this defined column is not mapped to any Agile PLM attributes. Use the BI Configurator to map this column to an Agile PLM attribute. Primary key that uniquely identifies the record.
ENABLE	NUMBER	This flag indicates whether the Member is deleted or not enabled. 1 for yes and 0 for no. [Agile PLM] This field is derived and cannot be mapped to another Agile PLM attribute.
INTEGRATION_ID	VARCHAR2	Reserved. This column, in future releases, will be used to uniquely identify dimension or fact entity in its source system.
LAST_MODIFIED_DATE	DATE	Last modified date. [Agile PLM] This field is derived and cannot be mapped to another Agile PLM attribute.
LIST_ID	NUMBER	List ID associated with attribute.
NAME	VARCHAR2	Document ERP Name
ROW_ID	NUMBER	Reserved. In future releases, this will store Surrogate key to uniquely identify a record.

**DOC\_ERP\_2\_D**

Document ERP Dimension Table. This table is conforming across the fact tables in the Item Subject Area. Out of the box, this table is not populated with Agile PLM data. The table is populated only when the Agile PLM attributes are mapped using BI Configurator.

Column	Type	Comments
DATASOURCE_NUM_ID	NUMBER	Reserved. This column, in future releases, will uniquely identify the source system from which data was extracted.
DOC_ERP_2_ID	NUMBER	Primary key that uniquely identifies ERP code. [Agile PLM] Out of the box this defined column is not mapped to any Agile PLM attributes. Use the BI Configurator to map this column to an Agile PLM attribute. Primary key that uniquely identifies the record.
ENABLE	NUMBER	This flag indicates whether the Member is deleted or not enabled. 1 for yes and 0 for no. [Agile PLM] This field is derived and cannot be mapped to another Agile PLM attribute.
INTEGRATION_ID	VARCHAR2	Reserved. This column, in future releases, will be used to uniquely identify dimension or fact entity in its source system.
LAST_MODIFIED_DATE	DATE	Last modified date. [Agile PLM] This field is derived and cannot be mapped to another Agile PLM attribute.
LIST_ID	NUMBER	List ID associated with attribute.
NAME	VARCHAR2	Document ERP Name
ROW_ID	NUMBER	Reserved. In future releases, this will store Surrogate key to uniquely identify a record.

**DOC\_ERP\_3\_B**

Document ERP Bridge table. Maintains data between DOC\_ERP\_3\_D table and Item fact to resolve many to many relationships. Out of the box, this table is not populated with Agile PLM data. The table is populated only when the Agile PLM Multilist type attribute is mapped to the corresponding column in the fact table using BI Configurator.

Column	Type	Comments
DATASOURCE_NUM_ID	NUMBER	Reserved. This column, in future releases, will uniquely identify the source system from which data was extracted.
DOC_ERP_3_ID	NUMBER	Primary key that uniquely identifies the ERP code. [Agile PLM] Out of the box this defined column is not mapped to any Agile PLM attributes. Use the BI Configurator to map this column to an Agile PLM attribute. Primary key that uniquely identifies the record.
INTEGRATION_ID	VARCHAR2	Reserved. This column, in future releases, will be used to uniquely identify dimension or fact entity in its source system.
ITEM_ID	NUMBER	Item ID.
ROW_ID	NUMBER	Reserved. In future releases, this will store Surrogate key to uniquely identify a record.

**DOC\_ERP\_3\_D**

Document ERP Dimension Table. This table is conforming across the fact tables in the Item Subject Area. Out of the box, this table is not populated with Agile PLM data. The table is populated only when the Agile PLM attributes are mapped using BI Configurator.

Column	Type	Comments
DATASOURCE_NUM_ID	NUMBER	Reserved. This column, in future releases, will uniquely identify the source system from which data was extracted.
DOC_ERP_3_ID	NUMBER	Document ERP 3. [Agile PLM] Out of the box this defined column is not mapped to any Agile PLM attributes. Use the BI Configurator to map this column to an Agile PLM attribute. Primary key that uniquely identifies the record.
ENABLE	NUMBER	This flag indicates whether the Member is deleted or not enabled. 1 for yes and 0 for no. [Agile PLM] This field is derived and cannot be mapped to another Agile PLM attribute.
INTEGRATION_ID	VARCHAR2	Reserved. This column, in future releases, will be used to uniquely identify dimension or fact entity in its source system.
LAST_MODIFIED_DATE	DATE	Last modified date. [Agile PLM] This field is derived and cannot be mapped to another Agile PLM attribute.
LIST_ID	NUMBER	List ID associated with attribute.
NAME	VARCHAR2	Document ERP Name
ROW_ID	NUMBER	Reserved. In future releases, this will store Surrogate key to uniquely identify a record.

**DOC\_MANUF\_1\_D**

Document Manufacturer Dimension Table. This table is conforming across the fact tables in the Item Subject Area. Out of the box, this table is not populated with Agile PLM data. The table is populated only when the Agile PLM attributes are mapped using BI Configurator.

Column	Type	Comments
DATASOURCE_NUM_ID	NUMBER	Reserved. This column, in future releases, will uniquely identify the source system from which data was extracted.
DOC_MANUF_1_ID	NUMBER	Primary key that uniquely identifies documente manufacturer 1. [Agile PLM] Out of the box this defined column is not mapped to any Agile PLM attributes. Use the BI Configurator to map this column to an Agile PLM attribute. Primary key that uniquely identifies the record.
ENABLE	NUMBER	This flag indicates whether the Member is deleted or not enabled. 1 for yes and 0 for no. [Agile PLM] This field is derived and cannot be mapped to another Agile PLM attribute.
INTEGRATION_ID	VARCHAR2	Reserved. This column, in future releases, will be used to uniquely identify dimension or fact entity in its source system.
LAST_MODIFIED_DATE	DATE	Last modified date. [Agile PLM] This field is derived and cannot be mapped to another Agile PLM attribute.
LIST_ID	NUMBER	List ID associated with attribute.
NAME	VARCHAR2	Document Manufacturer Name
ROW_ID	NUMBER	Reserved. In future releases, this will store Surrogate key to uniquely identify a record.

**DOC\_MANUF\_2\_D**

Document Manufacturer Dimension Table. This table is conforming across the fact tables in the Item Subject Area. Out of the box, this table is not populated with Agile PLM data. The table is populated only when the Agile PLM attributes are mapped using BI Configurator.

Column	Type	Comments
DATASOURCE_NUM_ID	NUMBER	Reserved. This column, in future releases, will uniquely identify the source system from which data was extracted.
DOC_MANUF_2_ID	NUMBER	Primary key that uniquely identifies document manufacturer 2. [Agile PLM] Out of the box this defined column is not mapped to any Agile PLM attributes. Use the BI Configurator to map this column to an Agile PLM attribute. Primary key that uniquely identifies the record.
ENABLE	NUMBER	This flag indicates whether the Member is deleted or not enabled. 1 for yes and 0 for no. [Agile PLM] This field is derived and cannot be mapped to another Agile PLM attribute.
INTEGRATION_ID	VARCHAR2	Reserved. This column, in future releases, will be used to uniquely identify dimension or fact entity in its source system.
LAST_MODIFIED_DATE	DATE	Last modified date. [Agile PLM] This field is derived and cannot be mapped to another Agile PLM attribute.
LIST_ID	NUMBER	List ID associated with attribute.
NAME	VARCHAR2	Document Manufacturer Name
ROW_ID	NUMBER	Reserved. In future releases, this will store Surrogate key to uniquely identify a record.

**DOC\_MANUF\_3\_B**

Document Manufacturer Bridge table. Maintains data between DOC\_MANUF\_3\_D table and Item fact to resolve many to many relationships. Out of the box, this table is not populated with Agile PLM data. The table is populated when the Agile PLM Multilist type attribute is mapped to the corresponding column in the fact table using BI Configurator.

Column	Type	Comments
DATASOURCE_NUM_ID	NUMBER	Reserved. This column, in future releases, will uniquely identify the source system from which data was extracted.
DOC_MANUF_3_ID	NUMBER	Primary key that uniquely identifies document manufacturer 3. [Agile PLM] Out of the box this defined column is not mapped to any Agile PLM attributes. Use the BI Configurator to map this column to an Agile PLM attribute. Primary key that uniquely identifies the record.
INTEGRATION_ID	VARCHAR2	Reserved. This column, in future releases, will be used to uniquely identify dimension or fact entity in its source system.
ITEM_ID	NUMBER	Item ID.
ROW_ID	NUMBER	Reserved. In future releases, this will store Surrogate key to uniquely identify a record.

**DOC\_MANUF\_3\_D**

Document Manufacturer Dimension Table. This table is conforming across the fact tables in the Item Subject Area. Out of the box, this table is not populated with Agile PLM data. The table is populated only when the Agile PLM attributes are mapped using BI Configurator.

Column	Type	Comments
DATASOURCE_NUM_ID	NUMBER	Reserved. This column, in future releases, will uniquely identify the source system from which data was extracted.
DOC_MANUF_3_ID	NUMBER	Primary key that uniquely identifies document manufacturer 3. [Agile PLM] Out of the box this defined column is not mapped to any Agile PLM attributes. Use the BI Configurator to map this column to an Agile PLM attribute. Primary key that uniquely identifies the record.
ENABLE	NUMBER	This flag indicates whether the Member is deleted or not enabled. 1 for yes and 0 for no. [Agile PLM] This field is derived and cannot be mapped to another Agile PLM attribute.
INTEGRATION_ID	VARCHAR2	Reserved. This column, in future releases, will be used to uniquely identify dimension or fact entity in its source system.
LAST_MODIFIED_DATE	DATE	Last modified date. [Agile PLM] This field is derived and cannot be mapped to another Agile PLM attribute.
LIST_ID	NUMBER	List ID associated with attribute.
NAME	VARCHAR2	Document Manufacturer Name
ROW_ID	NUMBER	Reserved. In future releases, this will store Surrogate key to uniquely identify a record.

**DOC\_PROD\_ENG\_1\_D**

Document Product Engineering Dimension Table. This table is conforming across the fact tables in the Item Subject Area. Out of the box, this table is not populated with Agile PLM data. The table is populated only when the Agile PLM attributes are mapped using BI Configurator.

Column	Type	Comments
DATASOURCE_NUM_ID	NUMBER	Reserved. This column, in future releases, will uniquely identify the source system from which data was extracted.
DOC_PROD_ENG_1_ID	NUMBER	Document production engineer 1. [Agile PLM] Out of the box this defined column is not mapped to any Agile PLM attributes. Use the BI Configurator to map this column to an Agile PLM attribute. Primary key that uniquely identifies the record.
ENABLE	NUMBER	This flag indicates whether the Member is deleted or not enabled. 1 for yes and 0 for no. [Agile PLM] This field is derived and cannot be mapped to another Agile PLM attribute.
INTEGRATION_ID	VARCHAR2	Reserved. This column, in future releases, will be used to uniquely identify dimension or fact entity in its source system.
LAST_MODIFIED_DATE	DATE	Last modified date. [Agile PLM] This field is derived and cannot be mapped to another Agile PLM attribute.
LIST_ID	NUMBER	List ID associated with attribute.
NAME	VARCHAR2	Document Product Engineering Name
ROW_ID	NUMBER	Reserved. In future releases, this will store Surrogate key to uniquely identify a record.

**DOC\_PROD\_ENG\_2\_D**

Document Product Engineering Dimension Table. This table is conforming across the fact tables in the Item Subject Area. Out of the box, this table is not populated with Agile PLM data. The table is populated only when the Agile PLM attributes are mapped using BI Configurator.

Column	Type	Comments
DATASOURCE_NUM_ID	NUMBER	Reserved. This column, in future releases, will uniquely identify the source system from which data was extracted.
DOC_PROD_ENG_2_ID	NUMBER	Document production engineer 2. [Agile PLM] Out of the box this defined column is not mapped to any Agile PLM attributes. Use the BI Configurator to map this column to an Agile PLM attribute. Primary key that uniquely identifies the record.
ENABLE	NUMBER	This flag indicates whether the Member is deleted or not enabled. 1 for yes and 0 for no. [Agile PLM] This field is derived and cannot be mapped to another Agile PLM attribute.
INTEGRATION_ID	VARCHAR2	Reserved. This column, in future releases, will be used to uniquely identify dimension or fact entity in its source system.
LAST_MODIFIED_DATE	DATE	Last modified date. [Agile PLM] This field is derived and cannot be mapped to another Agile PLM attribute.
LIST_ID	NUMBER	List ID associated with attribute.
NAME	VARCHAR2	Document Product Engineering Name
ROW_ID	NUMBER	Reserved. In future releases, this will store Surrogate key to uniquely identify a record.

**DOC\_PROD\_ENG\_3\_B**

Document Product Engineering Bridge table. Maintains data between DOC\_PROD\_ENG\_3\_D table and Item fact to resolve many to many relationships. Out of the box, this table is not populated with Agile PLM data. The data is populated when Agile PLM Multilist type attribute is mapped to the corresponding column in the fact table using the BI Configurator.

Column	Type	Comments
DATASOURCE_NUM_ID	NUMBER	Reserved. This column, in future releases, will uniquely identify the source system from which data was extracted.
DOC_PROD_ENG_3_ID	NUMBER	Document Production Engineer 3. [Agile PLM] Out of the box this defined column is not mapped to any Agile PLM attributes. Use the BI Configurator to map this column to an Agile PLM attribute.
INTEGRATION_ID	VARCHAR2	Reserved. This column, in future releases, will be used to uniquely identify dimension or fact entity in its source system.
ITEM_ID	NUMBER	Item ID.
ROW_ID	NUMBER	Reserved. In future releases, this will store Surrogate key to uniquely identify a record.

**DOC\_PROD\_ENG\_3\_D**

Document Product Engineering Dimension Table. This table is conforming across the fact tables in the Item Subject Area. Out of the box, this table is not populated with Agile PLM data. The table is populated only when the Agile PLM attributes are mapped using BI Configurator.

Column	Type	Comments
DATASOURCE_NUM_ID	NUMBER	Reserved. This column, in future releases, will uniquely identify the source system from which data was extracted.
DOC_PROD_ENG_3_ID	NUMBER	Document Production Engineer 3. [Agile PLM] Out of the box this defined column is not mapped to any Agile PLM attributes. Use the BI Configurator to map this column to an Agile PLM attribute. Primary key that uniquely identifies the record.
ENABLE	NUMBER	This flag indicates whether the Member is deleted or not enabled. 1 for yes and 0 for no. [Agile PLM] This field is derived and cannot be mapped to another Agile PLM attribute.
INTEGRATION_ID	VARCHAR2	Reserved. This column, in future releases, will be used to uniquely identify dimension or fact entity in its source system.
LAST_MODIFIED_DATE	DATE	Last modified date. [Agile PLM] This field is derived and cannot be mapped to another Agile PLM attribute.
LIST_ID	NUMBER	List ID associated with attribute.
NAME	VARCHAR2	Document Product Engineering Name
ROW_ID	NUMBER	Reserved. In future releases, this will store Surrogate key to uniquely identify a record.

**DOC\_TYPE\_D**

Document Type Dimension Table. This table is conforming across the fact tables in the Item Subject Area. Out of the box, this table is mapped to the List data from Types or Subclass attribute of the Documents class of Agile PLM.

Column	Type	Comments
DATASOURCE_NUM_ID	NUMBER	Reserved. This column, in future releases, will uniquely identify the source system from which data was extracted.
DOC_TYPE_ID	NUMBER	Document type. Primary key that uniquely identifies the record.
ENABLE	NUMBER	This flag indicates whether the Member is deleted or not enabled. 1 for yes and 0 for no. [Agile PLM] This field is derived and cannot be mapped to another Agile PLM attribute.
INTEGRATION_ID	VARCHAR2	Reserved. This column, in future releases, will be used to uniquely identify dimension or fact entity in its source system.
LAST_MODIFIED_DATE	DATE	Last modified date. [Agile PLM] This field is derived and cannot be mapped to another Agile PLM attribute.
LIST_ID	NUMBER	List ID associated with attribute.
NAME	VARCHAR2	Document Type Name
ROW_ID	NUMBER	Reserved. In future releases, this will store Surrogate key to uniquely identify a record.

**EVENT\_TYPE\_D**

Event Type Dimension table. This table stores the List of Event Types.

Column	Type	Comments
DATASOURCE_NUM_ID	NUMBER	Reserved. This column, in future releases, will uniquely identify the source system from which data was extracted.
ENABLE	NUMBER	This flag indicates whether the Member is deleted or not enabled. 1 for yes and 0 for no. [Agile PLM] This field is derived and cannot be mapped to another Agile PLM attribute.
EVENT_TYPE_ID	NUMBER	Event type. Foreign key to EVENT_TYPE_D.EVENT_TYPE_ID. Primary key that uniquely identifies the record. [Agile PLM] This field cannot be mapped to another Agile PLM attribute.
INTEGRATION_ID	VARCHAR2	Reserved. This column, in future releases, will be used to uniquely identify dimension or fact entity in its source system.
LAST_MODIFIED_DATE	DATE	Last Modified Date. [Agile PLM] This field is derived and cannot be mapped to another Agile PLM attribute.
LIST_ID	NUMBER	List ID associated with attribute.
NAME	VARCHAR2	Event Type Name
ROW_ID	NUMBER	Reserved. In future releases, this will store Surrogate key to uniquely identify a record.

**FLAG\_D**

Common Flag Dimension Table. Stores the flags in the fact tables such as cancel flag, released flag, etc.

Column	Type	Comments
DATASOURCE_NUM_ID	NUMBER	Reserved. This column, in future releases, will uniquely identify the source system from which data was extracted.
ENABLE	NUMBER	This flag indicates whether the Member is deleted or not enabled. 1 for yes and 0 for no. [Agile PLM] This field is derived and cannot be mapped to another Agile PLM attribute.
FLAG_ID	NUMBER	Primary Key for the Dimension Table. Primary key that uniquely identifies the record.
INTEGRATION_ID	VARCHAR2	Reserved. This column, in future releases, will be used to uniquely identify dimension or fact entity in its source system.
LAST_MODIFIED_DATE	DATE	Last Modified Date. [Agile PLM] This field is derived and cannot be mapped to another Agile PLM attribute.
LIST_ID	NUMBER	List ID associated with attribute.
NAME	VARCHAR2	Flag Description Yes/No
ROW_ID	NUMBER	Reserved. In future releases, this will store Surrogate key to uniquely identify a record.

**INT\_ORGANIZATION\_D**

Internal Organization Dimension Table. This table is conforming across the fact tables in the Item Subject Area. Out of the box, this table is not populated with Agile PLM data. The table is populated only when the Agile PLM attributes are mapped using BI Configurator.

Column	Type	Comments
DATASOURCE_NUM_ID	NUMBER	Reserved. This column, in future releases, will uniquely identify the source system from which data was extracted.
ENABLE	NUMBER	This flag indicates whether the Member is deleted or not enabled. 1 for yes and 0 for no. [Agile PLM] This field is derived and cannot be mapped to another Agile PLM attribute.
INTEGRATION_ID	VARCHAR2	Reserved. This column, in future releases, will be used to uniquely identify dimension or fact entity in its source system.
INT_ORGANIZATION_ID	NUMBER	Internal organisation. Foreign key to INT_ORGANIZATION_D. Primary key that uniquely identifies the record. [Agile PLM] This field is derived and cannot be mapped to another Agile PLM attribute.
LAST_MODIFIED_DATE	DATE	Last Modified Date. [Agile PLM] This field is derived and cannot be mapped to another Agile PLM attribute.
LIST_ID	NUMBER	List ID associated with attribute.
NAME	VARCHAR2	Internal Organization Name
ORG_ADDRESS	VARCHAR2	Address.
ORG_CITY	VARCHAR2	City.
ORG_COUNTRY	NUMBER	Country.
ORG_FAX	VARCHAR2	Fax.
ORG_PHONE	VARCHAR2	Phone.
ORG_POSTAL_CODE	VARCHAR2	Zip Code.
ORG_REGION	NUMBER	Region.
ORG_URL	VARCHAR2	URL.
ROW_ID	NUMBER	Reserved. In future releases, this will store Surrogate key to uniquely identify a record.

**ITEM\_ASSEMBLY\_RATING\_D**

Item Assembly Rating Dimension Table. This table is conforming across the fact tables in the Item Subject Area. Out of the box, this table is not populated with Agile PLM data. The table is populated only when the Agile PLM attributes are mapped using BI Configurator.

Column	Type	Comments
DATASOURCE_NUM_ID	NUMBER	Reserved. This column, in future releases, will uniquely identify the source system from which data was extracted.
ENABLE	NUMBER	This flag indicates whether the Member is deleted or not enabled. 1 for yes and 0 for no. [Agile PLM] This field is derived and cannot be mapped to another Agile PLM attribute.
INTEGRATION_ID	VARCHAR2	Reserved. This column, in future releases, will be used to uniquely identify dimension or fact entity in its source system.
ITEM_ASSEMBLY_RATING_ID	NUMBER	Item assembly rating. Primary key that uniquely identifies the record.
LAST_MODIFIED_DATE	DATE	Last modified date. [Agile PLM] This field is derived and cannot be mapped to another Agile PLM attribute.
LIST_ID	NUMBER	List ID associated with attribute.
NAME	VARCHAR2	Item Assembly Rating Name
ROW_ID	NUMBER	Reserved. In future releases, this will store Surrogate key to uniquely identify a record.

**ITEM\_CATEGORY\_D**

Item Category Dimension Table. This table is conforming across the fact tables in the Item Subject Area. Out of the box, this table is mapped to the List data from the Category attribute of the Parts class of Agile PLM.

Column	Type	Comments
DATASOURCE_NUM_ID	NUMBER	Reserved. This column, in future releases, will uniquely identify the source system from which data was extracted.
ENABLE	NUMBER	This flag indicates whether the Member is deleted or not enabled. 1 for yes and 0 for no. [Agile PLM] This field is derived and cannot be mapped to another Agile PLM attribute.
INTEGRATION_ID	VARCHAR2	Reserved. This column, in future releases, will be used to uniquely identify dimension or fact entity in its source system.
ITEM_CATEGORY_ID	NUMBER	Item.category. Foreign key to ITEM_CATEGORY_D.ITEM_CATEGORY_ID. [Agile PLM] This field maps to the CATEGORY_ID in ITEM class. Primary key that uniquely identifies the record. This field cannot be mapped to another Agile PLM attribute.
LAST_MODIFIED_DATE	DATE	Last Modified Date. [Agile PLM] This field is derived and cannot be mapped to another Agile PLM attribute.
LIST_ID	NUMBER	List ID associated with attribute.
NAME	VARCHAR2	Item Category Name
ROW_ID	NUMBER	Reserved. In future releases, this will store Surrogate key to uniquely identify a record.

**ITEM\_COMMODITY\_1\_D**

Item Commodity Dimension Table. This table is conforming across the fact tables in the Item Subject Area. Out of the box, this table is not populated with Agile PLM data. The table is populated only when the Agile PLM attributes are mapped using BI Configurator.

Column	Type	Comments
DATASOURCE_NUM_ID	NUMBER	Reserved. This column, in future releases, will uniquely identify the source system from which data was extracted.
ENABLE	NUMBER	This flag indicates whether the Member is deleted or not enabled. 1 for yes and 0 for no. [Agile PLM] This field is derived and cannot be mapped to another Agile PLM attribute.
INTEGRATION_ID	VARCHAR2	Reserved. This column, in future releases, will be used to uniquely identify dimension or fact entity in its source system.
ITEM_COMMODITY_1_ID	NUMBER	Commodity 1. [Agile PLM] Out of the box this defined column is not mapped to any Agile PLM attributes. Use the BI Configurator to map this column to an Agile PLM attribute. Primary key that uniquely identifies the record.
LAST_MODIFIED_DATE	DATE	Last modified date. [Agile PLM] This field is derived and cannot be mapped to another Agile PLM attribute.
LIST_ID	NUMBER	List ID associated with attribute.
NAME	VARCHAR2	Item Commodity Name
ROW_ID	NUMBER	Reserved. In future releases, this will store Surrogate key to uniquely identify a record.

**ITEM\_COMMODITY\_2\_D**

Item Commodity Dimension Table. This table is conforming across the fact tables in the Item Subject Area. Out of the box, this table is not populated with Agile PLM data. The table is populated only when the Agile PLM attributes are mapped using BI Configurator.

Column	Type	Comments
DATASOURCE_NUM_ID	NUMBER	Reserved. This column, in future releases, will uniquely identify the source system from which data was extracted.
ENABLE	NUMBER	This flag indicates whether the Member is deleted or not enabled. 1 for yes and 0 for no. [Agile PLM] This field is derived and cannot be mapped to another Agile PLM attribute.
INTEGRATION_ID	VARCHAR2	Reserved. This column, in future releases, will be used to uniquely identify dimension or fact entity in its source system.
ITEM_COMMODITY_2_ID	NUMBER	Commodity 2. [Agile PLM] Out of the box this defined column is not mapped to any Agile PLM attributes. Use the BI Configurator to map this column to an Agile PLM attribute. Primary key that uniquely identifies the record.
LAST_MODIFIED_DATE	DATE	Last modified date. [Agile PLM] This field is derived and cannot be mapped to another Agile PLM attribute.
LIST_ID	NUMBER	List ID associated with attribute.
NAME	VARCHAR2	Item Commodity Name
ROW_ID	NUMBER	Reserved. In future releases, this will store Surrogate key to uniquely identify a record.

**ITEM\_COMMODITY\_3\_B**

Item Commodity Bridge table. Maintains data between ITEM\_COMMODITY\_3\_D table and Item fact to resolve many to many relationships. Out of the box, this table is not populated with Agile PLM data. The table is populated when the Agile PLM Multilist type attribute is mapped to the corresponding column in the fact table using BI Configurator.

Column	Type	Comments
DATASOURCE_NUM_ID	NUMBER	Reserved. This column, in future releases, will uniquely identify the source system from which data was extracted.
INTEGRATION_ID	VARCHAR2	Reserved. This column, in future releases, will be used to uniquely identify dimension or fact entity in its source system.
ITEM_COMMODITY_3_ID	NUMBER	Item Commodity 3. [Agile PLM] Out of the box this defined column is not mapped to any Agile PLM attributes. Use the BI Configurator to map this column to an Agile PLM attribute.
ITEM_ID	NUMBER	Item ID.
ROW_ID	NUMBER	Reserved. In future releases, this will store Surrogate key to uniquely identify a record.

**ITEM\_COMMODITY\_3\_D**

Item Commodity Dimension Table. This table is conforming across the fact tables in the Item Subject Area. Out of the box, this table is not populated with Agile PLM data. The table is populated only when the Agile PLM attributes are mapped using BI Configurator.

Column	Type	Comments
DATASOURCE_NUM_ID	NUMBER	Reserved. This column, in future releases, will uniquely identify the source system from which data was extracted.
ENABLE	NUMBER	This flag indicates whether the Member is deleted or not enabled. 1 for yes and 0 for no. [Agile PLM] This field is derived and cannot be mapped to another Agile PLM attribute.
INTEGRATION_ID	VARCHAR2	Reserved. This column, in future releases, will be used to uniquely identify dimension or fact entity in its source system.
ITEM_COMMODITY_3_ID	NUMBER	Item Commodity 3. [Agile PLM] Out of the box this defined column is not mapped to any Agile PLM attributes. Use the BI Configurator to map this column to an Agile PLM attribute. Primary key that uniquely identifies the record.
LAST_MODIFIED_DATE	DATE	Last modified date. [Agile PLM] This field is derived and cannot be mapped to another Agile PLM attribute.
LIST_ID	NUMBER	List ID associated with attribute.
NAME	VARCHAR2	Item Commodity Name
ROW_ID	NUMBER	Reserved. In future releases, this will store Surrogate key to uniquely identify a record.

**ITEM\_COMMODITY\_D**

Item Commodity for Affected Items Dimension Table. This table is conforming across the fact tables in the Item Subject Area. Out of the box, this table is mapped to List data from Commodity attribute of Parts class of Agile PLM.

Column	Type	Comments
DATASOURCE_NUM_ID	NUMBER	Reserved. This column, in future releases, will uniquely identify the source system from which data was extracted.
ENABLE	NUMBER	This flag indicates whether the Member is deleted or not enabled. 1 for yes and 0 for no. [Agile PLM] This field is derived and cannot be mapped to another Agile PLM attribute.
INTEGRATION_ID	VARCHAR2	Reserved. This column, in future releases, will be used to uniquely identify dimension or fact entity in its source system.
ITEM_COMMODITY_ID	NUMBER	Item commodity. Foreign key to ITEM_COMMODITY_D.ITEM_COMMODITY_ID. [Agile PLM] This field maps to the COMMODITY_ID attribute in ITEM class. Primary key that uniquely identifies the record. This field cannot be mapped to another Agile PLM attribute.
LAST_MODIFIED_DATE	DATE	Last Modified Date. [Agile PLM] This field is derived and cannot be mapped to another Agile PLM attribute.
LIST_ID	NUMBER	List ID associated with attribute.
NAME	VARCHAR2	Item Commodity Name
ROW_ID	NUMBER	Reserved. In future releases, this will store Surrogate key to uniquely identify a record.

**ITEM\_COMPLIANCE\_1\_D**

Item Compliance Dimension Table. This table is conforming across the fact tables in the Item Subject Area. Out of the box, this table is not populated with Agile PLM data. The table is populated only when the Agile PLM attributes are mapped using BI Configurator.

Column	Type	Comments
DATASOURCE_NUM_ID	NUMBER	Reserved. This column, in future releases, will uniquely identify the source system from which data was extracted.
ENABLE	NUMBER	This flag indicates whether the Member is deleted or not enabled. 1 for yes and 0 for no. [Agile PLM] This field is derived and cannot be mapped to another Agile PLM attribute.
INTEGRATION_ID	VARCHAR2	Reserved. This column, in future releases, will be used to uniquely identify dimension or fact entity in its source system.
ITEM_COMPLIANCE_1_ID	NUMBER	Item compliance 1. [Agile PLM] Out of the box this defined column is not mapped to any Agile PLM attributes. Use the BI Configurator to map this column to an Agile PLM attribute. Primary key that uniquely identifies the record.
LAST_MODIFIED_DATE	DATE	Last modified date. [Agile PLM] This field is derived and cannot be mapped to another Agile PLM attribute.
LIST_ID	NUMBER	List ID associated with attribute.
NAME	VARCHAR2	Item Compliance Name
ROW_ID	NUMBER	Reserved. In future releases, this will store Surrogate key to uniquely identify a record.

**ITEM\_COMPLIANCE\_2\_D**

Item Compliance Dimension Table. This table is conforming across the fact tables in the Item Subject Area. Out of the box, this table is not populated with Agile PLM data. The table is populated only when the Agile PLM attributes are mapped using BI Configurator.

Column	Type	Comments
DATASOURCE_NUM_ID	NUMBER	Reserved. This column, in future releases, will uniquely identify the source system from which data was extracted.
ENABLE	NUMBER	This flag indicates whether the Member is deleted or not enabled. 1 for yes and 0 for no. [Agile PLM] This field is derived and cannot be mapped to another Agile PLM attribute.
INTEGRATION_ID	VARCHAR2	Reserved. This column, in future releases, will be used to uniquely identify dimension or fact entity in its source system.
ITEM_COMPLIANCE_2_ID	NUMBER	Item compliance 2. [Agile PLM] Out of the box this defined column is not mapped to any Agile PLM attributes. Use the BI Configurator to map this column to an Agile PLM attribute. Primary key that uniquely identifies the record.
LAST_MODIFIED_DATE	DATE	Last modified date. [Agile PLM] This field is derived and cannot be mapped to another Agile PLM attribute.
LIST_ID	NUMBER	List ID associated with attribute.
NAME	VARCHAR2	Item Compliance Name
ROW_ID	NUMBER	Reserved. In future releases, this will store Surrogate key to uniquely identify a record.

**ITEM\_COMPLIANCE\_3\_B**

Bridge Table. Maintains data between ITEM\_COMPLIANCE\_3\_D table and Item fact to resolve many to many relationships. Out of the box, this table is not populated with Agile PLM data. data is populated when Agile PLM Multilist type attribute is mapped to the corresponding column in the fact table using BI Configurator.

Column	Type	Comments
DATASOURCE_NUM_ID	NUMBER	Reserved. This column, in future releases, will uniquely identify the source system from which data was extracted.
INTEGRATION_ID	VARCHAR2	Reserved. This column, in future releases, will be used to uniquely identify dimension or fact entity in its source system.
ITEM_COMPLIANCE_3_ID	NUMBER	Item Compliance 3. [Agile PLM] Out of the box this defined column is not mapped to any Agile PLM attributes. Use the BI Configurator to map this column to an Agile PLM attribute.
ITEM_ID	NUMBER	Item ID.
ROW_ID	NUMBER	Reserved. In future releases, this will store Surrogate key to uniquely identify a record.

**ITEM\_COMPLIANCE\_3\_D**

Item Compliance Dimension Table. This table is conforming across the fact tables in the Item Subject Area. Out of the box, this table is not populated with Agile PLM data. The table is populated only when the Agile PLM attributes are mapped using BI Configurator.

Column	Type	Comments
DATASOURCE_NUM_ID	NUMBER	Reserved. This column, in future releases, will uniquely identify the source system from which data was extracted.
ENABLE	NUMBER	This flag indicates whether the Member is deleted or not enabled. 1 for yes and 0 for no. [Agile PLM] This field is derived and cannot be mapped to another Agile PLM attribute.
INTEGRATION_ID	VARCHAR2	Reserved. This column, in future releases, will be used to uniquely identify dimension or fact entity in its source system.
ITEM_COMPLIANCE_3_ID	NUMBER	Item Compliance 3. [Agile PLM] Out of the box this defined column is not mapped to any Agile PLM attributes. Use the BI Configurator to map this column to an Agile PLM attribute. Primary key that uniquely identifies the record.
LAST_MODIFIED_DATE	DATE	Last modified date. [Agile PLM] This field is derived and cannot be mapped to another Agile PLM attribute.
LIST_ID	NUMBER	List ID associated with attribute.
NAME	VARCHAR2	Item Compliance Name
ROW_ID	NUMBER	Reserved. In future releases, this will store Surrogate key to uniquely identify a record.

**ITEM\_COMPLIANCY\_D**

Item Compliancy Dimension Table. This table is conforming across the fact tables in the Item Subject Area. Out of the box, this table is mapped to List data from Overall Compliance attribute of Parts class of Agile PLM.

Column	Type	Comments
DATASOURCE_NUM_ID	NUMBER	Reserved. This column, in future releases, will uniquely identify the source system from which data was extracted.
ENABLE	NUMBER	This flag indicates whether the Member is deleted or not enabled. 1 for yes and 0 for no. [Agile PLM] This field is derived and cannot be mapped to another Agile PLM attribute.
INTEGRATION_ID	VARCHAR2	Reserved. This column, in future releases, will be used to uniquely identify dimension or fact entity in its source system.
ITEM_COMPLIANCY_ID	NUMBER	Item compliance. Foreign key to ITEM_COMPLIANCY_D.ITEM_COMPLIANCY_ID. [Agile PLM] This field maps to the COMPLIANCY_ID attribute in ITEM class and CHANGE tab. Primary key that uniquely identifies the record. This field cannot be mapped to another Agile PLM attribute.
LAST_MODIFIED_DATE	DATE	Last modified date. [Agile PLM] This field is derived and cannot be mapped to another Agile PLM attribute.
LIST_ID	NUMBER	List ID associated with attribute.
NAME	VARCHAR2	Item Compliance Name
ROW_ID	NUMBER	Reserved. In future releases, this will store Surrogate key to uniquely identify a record.

**ITEM\_COMPONENT\_ENGINEER\_D**

Item Component Engineer Dimension Table. This table is conforming across the fact tables in the Item Subject Area. Out of the box, this table is not populated with Agile PLM data. The table is populated only when the Agile PLM attributes are mapped using BI Configurator.

Column	Type	Comments
DATASOURCE_NUM_ID	NUMBER	Reserved. This column, in future releases, will uniquely identify the source system from which data was extracted.
ENABLE	NUMBER	This flag indicates whether the Member is deleted or not enabled. 1 for yes and 0 for no. [Agile PLM] This field is derived and cannot be mapped to another Agile PLM attribute.
INTEGRATION_ID	VARCHAR2	Reserved. This column, in future releases, will be used to uniquely identify dimension or fact entity in its source system.
ITEM_COMPONENT_ENGINEER_ID	NUMBER	Item component engineer. Primary key that uniquely identifies the record.
LAST_MODIFIED_DATE	DATE	Last modified date. [Agile PLM] This field is derived and cannot be mapped to another Agile PLM attribute.
LIST_ID	NUMBER	List ID associated with attribute.
NAME	VARCHAR2	Item Component Engineer Name
ROW_ID	NUMBER	Reserved. In future releases, this will store Surrogate key to uniquely identify a record.

**ITEM\_COMP\_ENG\_1\_D**

Item Component Engineering Dimension Table. This table is conforming across the fact tables in the Item Subject Area. Out of the box, this table is not populated with Agile PLM data. The table is populated only when the Agile PLM attributes are mapped using BI Configurator.

Column	Type	Comments
DATASOURCE_NUM_ID	NUMBER	Reserved. This column, in future releases, will uniquely identify the source system from which data was extracted.
ENABLE	NUMBER	This flag indicates whether the Member is deleted or not enabled. 1 for yes and 0 for no. [Agile PLM] This field is derived and cannot be mapped to another Agile PLM attribute.
INTEGRATION_ID	VARCHAR2	Reserved. This column, in future releases, will be used to uniquely identify dimension or fact entity in its source system.
ITEM_COMP_ENG_1_ID	NUMBER	Item component engineer 1. [Agile PLM] Out of the box this defined column is not mapped to any Agile PLM attributes. Use the BI Configurator to map this column to an Agile PLM attribute. Primary key that uniquely identifies the record.
LAST_MODIFIED_DATE	DATE	Last modified date. [Agile PLM] This field is derived and cannot be mapped to another Agile PLM attribute.
LIST_ID	NUMBER	List ID associated with attribute.
NAME	VARCHAR2	Item Component Engineering Name
ROW_ID	NUMBER	Reserved. In future releases, this will store Surrogate key to uniquely identify a record.

**ITEM\_COMP\_ENG\_2\_D**

Item Component Engineering Dimension Table. This table is conforming across the fact tables in the Item Subject Area. Out of the box, this table is not populated with Agile PLM data. The table is populated only when the Agile PLM attributes are mapped using BI Configurator.

Column	Type	Comments
DATASOURCE_NUM_ID	NUMBER	Reserved. This column, in future releases, will uniquely identify the source system from which data was extracted.
ENABLE	NUMBER	This flag indicates whether the Member is deleted or not enabled. 1 for yes and 0 for no. [Agile PLM] This field is derived and cannot be mapped to another Agile PLM attribute.
INTEGRATION_ID	VARCHAR2	Reserved. This column, in future releases, will be used to uniquely identify dimension or fact entity in its source system.
ITEM_COMP_ENG_2_ID	NUMBER	Item component engineer 2. [Agile PLM] Out of the box this defined column is not mapped to any Agile PLM attributes. Use the BI Configurator to map this column to an Agile PLM attribute. Primary key that uniquely identifies the record.
LAST_MODIFIED_DATE	DATE	Last modified date. [Agile PLM] This field is derived and cannot be mapped to another Agile PLM attribute.
LIST_ID	NUMBER	List ID associated with attribute.
NAME	VARCHAR2	Item Component Engineering Name
ROW_ID	NUMBER	Reserved. In future releases, this will store Surrogate key to uniquely identify a record.

**ITEM\_COMP\_ENG\_3\_B**

Bridge Table. Maintains data between ITEM\_COMP\_ENG\_3\_D table and Item fact to resolve many to many relationships. Out of the box, this table is not populated with Agile PLM data. The data is populated when Agile PLM Multilist type attribute is mapped to the corresponding column in the fact table using BI Configurator.

Column	Type	Comments
DATASOURCE_NUM_ID	NUMBER	Reserved. This column, in future releases, will uniquely identify the source system from which data was extracted.
INTEGRATION_ID	VARCHAR2	Reserved. This column, in future releases, will be used to uniquely identify dimension or fact entity in its source system.
ITEM_COMP_ENG_3_ID	NUMBER	Item Component Engineer 3. [Agile PLM] Out of the box this defined column is not mapped to any Agile PLM attributes. Use the BI Configurator to map this column to an Agile PLM attribute.
ITEM_ID	NUMBER	Item ID.
ROW_ID	NUMBER	Reserved. In future releases, this will store Surrogate key to uniquely identify a record.

**ITEM\_COMP\_ENG\_3\_D**

Item Component Engineering Dimension Table. This table is conforming across the fact tables in the Item Subject Area. Out of the box, this table is not populated with Agile PLM data. The table is populated only when the Agile PLM attributes are mapped using BI Configurator.

Column	Type	Comments
DATASOURCE_NUM_ID	NUMBER	Reserved. This column, in future releases, will uniquely identify the source system from which data was extracted.
ENABLE	NUMBER	This flag indicates whether the Member is deleted or not enabled. 1 for yes and 0 for no. [Agile PLM] This field is derived and cannot be mapped to another Agile PLM attribute.
INTEGRATION_ID	VARCHAR2	Reserved. This column, in future releases, will be used to uniquely identify dimension or fact entity in its source system.
ITEM_COMP_ENG_3_ID	NUMBER	Item Component Engineer 3. [Agile PLM] Out of the box this defined column is not mapped to any Agile PLM attributes. Use the BI Configurator to map this column to an Agile PLM attribute. Primary key that uniquely identifies the record.
LAST_MODIFIED_DATE	DATE	Last modified date. [Agile PLM] This field is derived and cannot be mapped to another Agile PLM attribute.
LIST_ID	NUMBER	List ID associated with attribute.
NAME	VARCHAR2	Item Component Engineering Name
ROW_ID	NUMBER	Reserved. In future releases, this will store Surrogate key to uniquely identify a record.

**ITEM\_COST\_RATING\_D**

Item Cost Rating Dimension Table. This table is conforming across the fact tables in the Item Subject Area. Out of the box, this table is not populated with Agile PLM data. The table is populated only when the Agile PLM attributes are mapped using BI Configurator.

Column	Type	Comments
DATASOURCE_NUM_ID	NUMBER	Reserved. This column, in future releases, will uniquely identify the source system from which data was extracted.
ENABLE	NUMBER	This flag indicates whether the Member is deleted or not enabled. 1 for yes and 0 for no. [Agile PLM] This field is derived and cannot be mapped to another Agile PLM attribute.
INTEGRATION_ID	VARCHAR2	Reserved. This column, in future releases, will be used to uniquely identify dimension or fact entity in its source system.
ITEM_COST_RATING_ID	NUMBER	Item cost rating. Primary key that uniquely identifies the record.
LAST_MODIFIED_DATE	DATE	Last modified date. [Agile PLM] This field is derived and cannot be mapped to another Agile PLM attribute.
LIST_ID	NUMBER	List ID associated with attribute.
NAME	VARCHAR2	Item Cost Rating name
ROW_ID	NUMBER	Reserved. In future releases, this will store Surrogate key to uniquely identify a record.

**ITEM\_CUST\_SUPP\_1\_D**

Item Customer Support Dimension Table. This table is conforming across the fact tables in the Item Subject Area. Out of the box, this table is not populated with Agile PLM data. The table is populated only when the Agile PLM attributes are mapped using BI Configurator.

Column	Type	Comments
DATASOURCE_NUM_ID	NUMBER	Reserved. This column, in future releases, will uniquely identify the source system from which data was extracted.
ENABLE	NUMBER	This flag indicates whether the Member is deleted or not enabled. 1 for yes and 0 for no. [Agile PLM] This field is derived and cannot be mapped to another Agile PLM attribute.
INTEGRATION_ID	VARCHAR2	Reserved. This column, in future releases, will be used to uniquely identify dimension or fact entity in its source system.
ITEM_CUST_SUPP_1_ID	NUMBER	Item Customer Supplier 1. [Agile PLM] Out of the box this defined column is not mapped to any Agile PLM attributes. Use the BI Configurator to map this column to an Agile PLM attribute. Primary key that uniquely identifies the record.
LAST_MODIFIED_DATE	DATE	Last modified date. [Agile PLM] This field is derived and cannot be mapped to another Agile PLM attribute.
LIST_ID	NUMBER	List ID associated with attribute.
NAME	VARCHAR2	Item Customer Support Name
ROW_ID	NUMBER	Reserved. In future releases, this will store Surrogate key to uniquely identify a record.

**ITEM\_CUST\_SUPP\_2\_D**

Item Customer Support Dimension Table. This table is conforming across the fact tables in the Item Subject Area. Out of the box, this table is not populated with Agile PLM data. The table is populated only when the Agile PLM attributes are mapped using BI Configurator.

Column	Type	Comments
DATASOURCE_NUM_ID	NUMBER	Reserved. This column, in future releases, will uniquely identify the source system from which data was extracted.
ENABLE	NUMBER	This flag indicates whether the Member is deleted or not enabled. 1 for yes and 0 for no. [Agile PLM] This field is derived and cannot be mapped to another Agile PLM attribute.
INTEGRATION_ID	VARCHAR2	Reserved. This column, in future releases, will be used to uniquely identify dimension or fact entity in its source system.
ITEM_CUST_SUPP_2_ID	NUMBER	Item Customer Supplier 2. [Agile PLM] Out of the box this defined column is not mapped to any Agile PLM attributes. Use the BI Configurator to map this column to an Agile PLM attribute. Primary key that uniquely identifies the record.
LAST_MODIFIED_DATE	DATE	Last modified date. [Agile PLM] This field is derived and cannot be mapped to another Agile PLM attribute.
LIST_ID	NUMBER	List ID associated with attribute.
NAME	VARCHAR2	Item Customer Support Name
ROW_ID	NUMBER	Reserved. In future releases, this will store Surrogate key to uniquely identify a record.

**ITEM\_CUST\_SUPP\_3\_B**

Item Customer Support Bridge table. Maintains data between ITEM\_CUST\_SUPP\_3\_D table and Item fact to resolve many to many relationships. Out of the box, this table is not populated with Agile PLM data. The data is populated when Agile PLM Multilist type attribute is mapped to the corresponding column in the fact table using BI Configurator.

Column	Type	Comments
DATASOURCE_NUM_ID	NUMBER	Reserved. This column, in future releases, will uniquely identify the source system from which data was extracted.
INTEGRATION_ID	VARCHAR2	Reserved. This column, in future releases, will be used to uniquely identify dimension or fact entity in its source system.
ITEM_CUST_SUPP_3_ID	NUMBER	Item Custom Supplier 3. [Agile PLM] Out of the box this defined column is not mapped to any Agile PLM attributes. Use the BI Configurator to map this column to an Agile PLM attribute.
ITEM_ID	NUMBER	Item ID.
ROW_ID	NUMBER	Reserved. In future releases, this will store Surrogate key to uniquely identify a record.

**ITEM\_CUST\_SUPP\_3\_D**

Item Customer Support Dimension Table. This table is conforming across the fact tables in the Item Subject Area. Out of the box, this table is not populated with Agile PLM data. The table is populated only when the Agile PLM attributes are mapped using BI Configurator.

Column	Type	Comments
DATASOURCE_NUM_ID	NUMBER	Reserved. This column, in future releases, will uniquely identify the source system from which data was extracted.
ENABLE	NUMBER	This flag indicates whether the Member is deleted or not enabled. 1 for yes and 0 for no. [Agile PLM] This field is derived and cannot be mapped to another Agile PLM attribute.
INTEGRATION_ID	VARCHAR2	Reserved. This column, in future releases, will be used to uniquely identify dimension or fact entity in its source system.
ITEM_CUST_SUPP_3_ID	NUMBER	Item Custom Supplier 3. [Agile PLM] Out of the box this defined column is not mapped to any Agile PLM attributes. Use the BI Configurator to map this column to an Agile PLM attribute. Primary key that uniquely identifies the record.
LAST_MODIFIED_DATE	DATE	Last modified date. [Agile PLM] This field is derived and cannot be mapped to another Agile PLM attribute.
LIST_ID	NUMBER	List ID associated with attribute.
NAME	VARCHAR2	Item Customer Support Name
ROW_ID	NUMBER	Reserved. In future releases, this will store Surrogate key to uniquely identify a record.

**ITEM\_D**

Items Dimension Table. This Dimension Table is Conforming across PLM. Out of the box, this table is mapped to Parts Object in Agile PLM.

Column	Type	Comments
DATASOURCE_NUM_ID	NUMBER	Reserved. This column, in future releases, will uniquely identify the source system from which data was extracted.
ENABLE	NUMBER	This flag indicates whether the Member is deleted or not enabled. 1 for yes and 0 for no. [Agile PLM] This field is derived and cannot be mapped to another Agile PLM attribute.
INTEGRATION_ID	VARCHAR2	Reserved. This column, in future releases, will be used to uniquely identify dimension or fact entity in its source system.
ITEM_DESCRIPTION	VARCHAR2	Item Description.
ITEM_ID	NUMBER	Primary Key for the Dimension Table. Primary key that uniquely identifies the record.
ITEM_NO	VARCHAR2	Item Number.
ITEM_REVISION	VARCHAR2	Item Revision.
LAST_MODIFIED_DATE	DATE	Last Modified Date. [Agile PLM] This field is derived and cannot be mapped to another Agile PLM attribute.
LIST_ID	NUMBER	List ID associated with attribute.
NAME	VARCHAR2	Item Name
ROW_ID	NUMBER	Reserved. In future releases, this will store Surrogate key to uniquely identify a record.

**ITEM\_ECRSS\_F**

Fact table that stores relationship between items, ECR and SS.

Column	Type	Comments
CHANGE_CLASS_ID	NUMBER	
CHANGE_ID	NUMBER	
CLASS_ID	NUMBER	
CLASS_NAME	VARCHAR2	
COMPLIANCE_TIME_ID	NUMBER	
CREATE_DATE_ID	NUMBER	
CURRENTLY_EFFECTIVE_FLAG	NUMBER	
CURRENTLY_EFFECTIVE_PRICE_FLAG	NUMBER	
DATASOURCE_NUM_ID	NUMBER	
DECLARATION_FLAG	NUMBER	
DOC_CATEGORY_ID	NUMBER	
DOC_CHANGE_ANALYST_ID	NUMBER	
DOC_CONF_MGMT_1_ID	NUMBER	
DOC_CONF_MGMT_2_ID	NUMBER	
DOC_CONF_MGMT_4	NUMBER	
DOC_CONF_MGMT_5	NUMBER	
DOC_COST_1	NUMBER	
DOC_COST_2	NUMBER	
DOC_COST_3	NUMBER	
DOC_CREATE_USER_ID	NUMBER	
DOC_ERP_1_ID	NUMBER	
DOC_ERP_2_ID	NUMBER	
DOC_ERP_4	NUMBER	
DOC_ERP_5	NUMBER	
DOC_LEAD_TIME_1	NUMBER	
DOC_LEAD_TIME_2	NUMBER	
DOC_MANUF_1_ID	NUMBER	
DOC_MANUF_2_ID	NUMBER	
DOC_MANUF_4	NUMBER	
DOC_MANUF_5	NUMBER	
DOC_PROD_ENG_1_ID	NUMBER	
DOC_PROD_ENG_2_ID	NUMBER	
DOC_PROD_ENG_4	NUMBER	
DOC_PROD_ENG_5	NUMBER	
DOC_TYPE_ID	NUMBER	
EFFECTIVE_FROM_TIME_ID	NUMBER	
EFFECTIVE_TO_TIME_ID	NUMBER	
EFFECTIVITY_TIME_ID	NUMBER	
FIRSTTIME_RELEASE_FLAG	NUMBER	
INTEGRATION_ID	VARCHAR2	
ITEM_AML_FLAG	NUMBER	
ITEM_ASSEMBLY_RATING_ID	NUMBER	

ITEM_ATTACHMENT_FLAG	NUMBER	
ITEM_AUDIT_FLAG	NUMBER	
ITEM_BOM_FLAG	NUMBER	
ITEM_CAPA_FLAG	NUMBER	
ITEM_CATEGORY_ID	NUMBER	
ITEM_COMMODITY_1_ID	NUMBER	
ITEM_COMMODITY_2_ID	NUMBER	
ITEM_COMMODITY_4	NUMBER	
ITEM_COMMODITY_5	NUMBER	
ITEM_COMMODITY_ID	NUMBER	
ITEM_COMPLIANCE_1_ID	NUMBER	
ITEM_COMPLIANCE_2_ID	NUMBER	
ITEM_COMPLIANCY_ID	NUMBER	
ITEM_COMPONENT_ENGINEER_ID	NUMBER	
ITEM_COMP_ENG_1_ID	NUMBER	
ITEM_COMP_ENG_2_ID	NUMBER	
ITEM_COMP_ENG_4	NUMBER	
ITEM_COMP_ENG_5	NUMBER	
ITEM_COST_1	NUMBER	
ITEM_COST_2	NUMBER	
ITEM_COST_3	NUMBER	
ITEM_COST_RATING_ID	NUMBER	
ITEM_CREATE_USER_ID	NUMBER	
ITEM_CUST_SUPP_1_ID	NUMBER	
ITEM_CUST_SUPP_2_ID	NUMBER	
ITEM_CUST_SUPP_4	NUMBER	
ITEM_CUST_SUPP_5	NUMBER	
ITEM_DESCRIPTION	VARCHAR2	
ITEM_ERP_1_ID	NUMBER	
ITEM_ERP_2_ID	NUMBER	
ITEM_ERP_4	NUMBER	
ITEM_ERP_5	NUMBER	
ITEM_ID	NUMBER	
ITEM_LEAD_TIME_1	NUMBER	
ITEM_LEAD_TIME_2	NUMBER	
ITEM_LIFECYCLE_RATING_ID	NUMBER	
ITEM_LIFECYCLE_STATE_ID	NUMBER	
ITEM_NCR_FLAG	NUMBER	
ITEM_NO	VARCHAR2	
ITEM_PART_FAMILY_ID	NUMBER	
ITEM_PERFORMANCE_RATING_ID	NUMBER	
ITEM_PROD_ENG_1_ID	NUMBER	
ITEM_PROD_ENG_2_ID	NUMBER	
ITEM_PROD_ENG_4	NUMBER	
ITEM_PROD_ENG_5	NUMBER	
ITEM_PROGRAM_FLAG	NUMBER	
ITEM_PR_FLAG	NUMBER	

ITEM_QUANTITY_1	NUMBER	
ITEM_QUANTITY_2	NUMBER	
ITEM_QUANTITY_3	NUMBER	
ITEM_RELEASED_FLAG	NUMBER	
ITEM_RELIABILITY_RATING_ID	NUMBER	
ITEM_REV_ID	NUMBER	
ITEM_SIZE_ID	NUMBER	
ITEM_TYPE_ID	NUMBER	
ITEM_WHERE_USED_FLAG	NUMBER	
LATEST_REV_FLAG	NUMBER	
NEVER_RELEASED_FLAG	NUMBER	
NEXT_REV_RELEASE_TIME_ID	NUMBER	
NUMBER_OF_MFR_PARTS	NUMBER	
OBSOLETE_TIME_ID	NUMBER	
PENDING_CHANGE_FLAG	NUMBER	
PRELIMINARY_FLAG	NUMBER	
PRICE_FLAG	NUMBER	
REV_INCORP_TIME_ID	NUMBER	
REV_RELEASE_TIME_ID	NUMBER	
REV_SEQ	NUMBER	
ROLLUP_FLAG	NUMBER	
ROW_ID	NUMBER	
SITE_ID	NUMBER	
SUPPLIER_FLAG	NUMBER	
TLA_FLAG	NUMBER	
WEIGHT	NUMBER	

**ITEM\_ERP\_1\_D**

Item ERP Dimension Table. This table is conforming across the fact tables in the Item Subject Area. Out of the box, this table is not populated with Agile PLM data. The table is populated only when the Agile PLM attributes are mapped using BI Configurator.

Column	Type	Comments
DATASOURCE_NUM_ID	NUMBER	Reserved. This column, in future releases, will uniquely identify the source system from which data was extracted.
ENABLE	NUMBER	This flag indicates whether the Member is deleted or not enabled. 1 for yes and 0 for no. [Agile PLM] This field is derived and cannot be mapped to another Agile PLM attribute.
INTEGRATION_ID	VARCHAR2	Reserved. This column, in future releases, will be used to uniquely identify dimension or fact entity in its source system.
ITEM_ERP_1_ID	NUMBER	Item ERP 1. [Agile PLM] Out of the box this defined column is not mapped to any Agile PLM attributes. Use the BI Configurator to map this column to an Agile PLM attribute. Primary key that uniquely identifies the record.
LAST_MODIFIED_DATE	DATE	Last modified date. [Agile PLM] This field is derived and cannot be mapped to another Agile PLM attribute.
LIST_ID	NUMBER	List ID associated with attribute.
NAME	VARCHAR2	Item ERP Name
ROW_ID	NUMBER	Reserved. In future releases, this will store Surrogate key to uniquely identify a record.

**ITEM\_ERP\_2\_D**

Item ERP Dimension Table. This table is conforming across the fact tables in the Item Subject Area. Out of the box, this table is not populated with Agile PLM data. The table is populated only when the Agile PLM attributes are mapped using BI Configurator.

Column	Type	Comments
DATASOURCE_NUM_ID	NUMBER	Reserved. This column, in future releases, will uniquely identify the source system from which data was extracted.
ENABLE	NUMBER	This flag indicates whether the Member is deleted or not enabled. 1 for yes and 0 for no. [Agile PLM] This field is derived and cannot be mapped to another Agile PLM attribute.
INTEGRATION_ID	VARCHAR2	Reserved. This column, in future releases, will be used to uniquely identify dimension or fact entity in its source system.
ITEM_ERP_2_ID	NUMBER	Item ERP 2. [Agile PLM] Out of the box this defined column is not mapped to any Agile PLM attributes. Use the BI Configurator to map this column to an Agile PLM attribute. Primary key that uniquely identifies the record.
LAST_MODIFIED_DATE	DATE	Last modified date. [Agile PLM] This field is derived and cannot be mapped to another Agile PLM attribute.
LIST_ID	NUMBER	List ID associated with attribute.
NAME	VARCHAR2	Item ERP Name
ROW_ID	NUMBER	Reserved. In future releases, this will store Surrogate key to uniquely identify a record.

**ITEM\_ERP\_3\_B**

Bridge Table. Maintains data between ITEM\_ERP\_3\_D table and Item fact to resolve many to many relationships. Out of the box, this table is not populated with Agile PLM data. The table is populated when Agile PLM Multilist type attribute is mapped to the corresponding column in fact table using BI Configurator.

Column	Type	Comments
DATASOURCE_NUM_ID	NUMBER	Reserved. This column, in future releases, will uniquely identify the source system from which data was extracted.
INTEGRATION_ID	VARCHAR2	Reserved. This column, in future releases, will be used to uniquely identify dimension or fact entity in its source system.
ITEM_ERP_3_ID	NUMBER	Item ERP 3. [Agile PLM] Out of the box this defined column is not mapped to any Agile PLM attributes. Use the BI Configurator to map this column to an Agile PLM attribute.
ITEM_ID	NUMBER	Foreign key to ITEM_D, serves as the primary key (with PQM_AUDIT_ID).
ROW_ID	NUMBER	Reserved. In future releases, this will store Surrogate key to uniquely identify a record.

**ITEM\_ERP\_3\_D**

Item ERP Dimension Table. This table is conforming across the fact tables in the Item Subject Area. Out of the box, this table is not populated with Agile PLM data. The table is populated only when the Agile PLM attributes are mapped using BI Configurator.

Column	Type	Comments
DATASOURCE_NUM_ID	NUMBER	Reserved. This column, in future releases, will uniquely identify the source system from which data was extracted.
ENABLE	NUMBER	This flag indicates whether the Member is deleted or not enabled. 1 for yes and 0 for no. [Agile PLM] This field is derived and cannot be mapped to another Agile PLM attribute.
INTEGRATION_ID	VARCHAR2	Reserved. This column, in future releases, will be used to uniquely identify dimension or fact entity in its source system.
ITEM_ERP_3_ID	NUMBER	Item ERP 3. [Agile PLM] Out of the box this defined column is not mapped to any Agile PLM attributes. Use the BI Configurator to map this column to an Agile PLM attribute. Primary key that uniquely identifies the record.
LAST_MODIFIED_DATE	DATE	Last modified date. [Agile PLM] This field is derived and cannot be mapped to another Agile PLM attribute.
LIST_ID	NUMBER	List ID associated with attribute.
NAME	VARCHAR2	Item ERP Name
ROW_ID	NUMBER	Reserved. In future releases, this will store Surrogate key to uniquely identify a record.

**ITEM\_F**

Item Fact Table. This is the core fact table for Item which has Volume, Age and Item Risk related measures.

Column	Type	Comments
CHANGE_CLASS_ID	NUMBER	Class ID of the change that this object is associated with. [Agile PLM] This field is derived and cannot be mapped to another Agile PLM attribute.
CHANGE_ID	NUMBER	Change that this object is associated with. [Agile PLM] This field maps to the CHANGE_ID attribute in ITEM class and CHANGE tab.
CLASS_ID	NUMBER	Object class type. [Agile PLM] This field maps to the CLASS_ID attribute in ITEM class.
CLASS_NAME	VARCHAR2	Name of object class. [Agile PLM] This field is derived and cannot be mapped to another Agile PLM attribute.
COMPLIANCE_TIME_ID	NUMBER	Compliance time. [Agile PLM] This field maps to the COMPLIANCY_CALC_DATE attribute in ITEM class and CHANGE tab.
CREATE_DATE_ID	NUMBER	Object creation date in Julian date ID format. [Agile PLM] This field maps to the CREATE_DATE attribute in ITEM class and CHANGE tab.
CURRENTLY_EFFECTIVE_FLAG	NUMBER	This flag indicates whether the object is currently effective. 1 for yes and 0 for no. [Agile PLM] This field is derived and cannot be mapped to another Agile PLM attribute.
CURRENTLY_EFFECTIVE_PRICE_FLAG	NUMBER	This flag indicates whether this object has price object which is currently effective. 1 for yes and 0 for no. [Agile PLM] This field is derived and cannot be mapped to another Agile PLM attribute.
DATASOURCE_NUM_ID	NUMBER	Reserved. This column, in future releases, will uniquely identify the source system from which data was extracted.
DECLARATION_FLAG	NUMBER	This flag is set to "Yes" or "1", if any Declaration related to Item. Which can be viewed from Declaration tab of Item. [Agile PLM] This field is derived and cannot be mapped to another Agile PLM attribute.
DOC_CATEGORY_ID	NUMBER	Document category. [Agile PLM] This field is derived and cannot be mapped to another Agile PLM attribute.
DOC_CHANGE_ANALYST_ID	NUMBER	Document Change Analyst ID. Foreign key to USER_D.USER_ID. [Agile PLM] This field cannot be mapped to another Agile PLM attribute.
DOC_CONF_MGMT_1_ID	NUMBER	Document configuration management 1. Foreign key to DOC_CONF_MGMT_1_D.DOC_CONF_MGMT_1_ID. [Agile PLM] Out of the box this defined column is not mapped to any Agile PLM attributes. Use the BI Configurator to map this column to an Agile PLM attribute.
DOC_CONF_MGMT_2_ID	NUMBER	Document configuration management 2. Foreign key to DOC_CONF_MGMT_2_D.DOC_CONF_MGMT_2_ID. [Agile PLM] Out of the box this defined column is not mapped to any Agile PLM attributes. Use the BI Configurator to map this column to an Agile PLM attribute.
DOC_CONF_MGMT_4	NUMBER	Document configuration management 4. [Agile PLM] Out of the box this defined column is not mapped to any Agile PLM attributes. Use the BI Configurator to map this column to an Agile PLM attribute.
DOC_CONF_MGMT_5	NUMBER	Document configuration management 5. [Agile PLM] Out of the box this defined column is not mapped to any Agile PLM attributes. Use the BI Configurator to map this column to an Agile PLM attribute.
DOC_COST_1	NUMBER	Document cost 1. [Agile PLM] Out of the box this defined column is not mapped to any Agile PLM attributes. Use the BI Configurator to map this column to an Agile PLM attribute.
DOC_COST_2	NUMBER	Document cost 2. [Agile PLM] Out of the box this defined column is not mapped to any Agile PLM attributes. Use the BI Configurator to map this column to an Agile PLM attribute.

DOC_COST_3	NUMBER	Document cost 3. [Agile PLM] Out of the box this defined column is not mapped to any Agile PLM attributes. Use the BI Configurator to map this column to an Agile PLM attribute.
DOC_CREATE_USER_ID	NUMBER	Document create user. [Agile PLM] This field is derived and cannot be mapped to another Agile PLM attribute.
DOC_ERP_1_ID	NUMBER	Document ERP 1. Foreign key to DOC_ERP_1_D.DOC_ERP_1_ID. [Agile PLM] Out of the box this defined column is not mapped to any Agile PLM attributes. Use the BI Configurator to map this column to an Agile PLM attribute.
DOC_ERP_2_ID	NUMBER	Document ERP 2. Foreign key to DOC_ERP_2_D.DOC_ERP_2_ID. [Agile PLM] Out of the box this defined column is not mapped to any Agile PLM attributes. Use the BI Configurator to map this column to an Agile PLM attribute.
DOC_ERP_4	NUMBER	Document ERP 4. [Agile PLM] Out of the box this defined column is not mapped to any Agile PLM attributes. Use the BI Configurator to map this column to an Agile PLM attribute.
DOC_ERP_5	NUMBER	Document ERP 5. [Agile PLM] Out of the box this defined column is not mapped to any Agile PLM attributes. Use the BI Configurator to map this column to an Agile PLM attribute.
DOC_LEAD_TIME_1	NUMBER	Document lead time 1. [Agile PLM] Out of the box this defined column is not mapped to any Agile PLM attributes. Use the BI Configurator to map this column to an Agile PLM attribute.
DOC_LEAD_TIME_2	NUMBER	Document lead time 2. [Agile PLM] Out of the box this defined column is not mapped to any Agile PLM attributes. Use the BI Configurator to map this column to an Agile PLM attribute.
DOC_MANUF_1_ID	NUMBER	Document manufacturer 1. Foreign key to DOC_MANUF_1_D.DOC_MANUF_1_ID. [Agile PLM] Out of the box this defined column is not mapped to any Agile PLM attributes. Use the BI Configurator to map this column to an Agile PLM attribute.
DOC_MANUF_2_ID	NUMBER	Document manufacturer 2. Foreign key to DOC_MANUF_2_D.DOC_MANUF_2_ID. [Agile PLM] Out of the box this defined column is not mapped to any Agile PLM attributes. Use the BI Configurator to map this column to an Agile PLM attribute.
DOC_MANUF_4	NUMBER	Document manufacturer 4. [Agile PLM] Out of the box this defined column is not mapped to any Agile PLM attributes. Use the BI Configurator to map this column to an Agile PLM attribute.
DOC_MANUF_5	NUMBER	Document manufacturer 5. [Agile PLM] Out of the box this defined column is not mapped to any Agile PLM attributes. Use the BI Configurator to map this column to an Agile PLM attribute.
DOC_PROD_ENG_1_ID	NUMBER	Document production engineer 1. Foreign key to DOC_PROD_ENG_1_D.DOC_PROD_ENG_1_ID. [Agile PLM] Out of the box this defined column is not mapped to any Agile PLM attributes. Use the BI Configurator to map this column to an Agile PLM attribute.
DOC_PROD_ENG_2_ID	NUMBER	Document production engineer 2. Foreign key to DOC_PROD_ENG_2_D.DOC_PROD_ENG_2_ID. [Agile PLM] Out of the box this defined column is not mapped to any Agile PLM attributes. Use the BI Configurator to map this column to an Agile PLM attribute.
DOC_PROD_ENG_4	NUMBER	Document production engineer 4. [Agile PLM] Out of the box this defined column is not mapped to any Agile PLM attributes. Use the BI Configurator to map this column to an Agile PLM attribute.
DOC_PROD_ENG_5	NUMBER	Document production engineer 5. [Agile PLM] Out of the box this defined column is not mapped to any Agile PLM attributes. Use the BI Configurator to map this column to an Agile PLM attribute.

DOC_TYPE_ID	NUMBER	Document type. [Agile PLM] This field is derived and cannot be mapped to another Agile PLM attribute.
EFFECTIVE_FROM_TIME_ID	NUMBER	
EFFECTIVE_TO_TIME_ID	NUMBER	
EFFECTIVITY_TIME_ID	NUMBER	Effective date. [Agile PLM] This field maps to the EFFECTIVE_DATE attribute in ITEM class and CHANGE tab.
FIRSTTIME_RELEASE_FLAG	NUMBER	This flag indicates whether this object is released for the first time. 1 for yes and 0 for no. [Agile PLM] This field is derived and cannot be mapped to another Agile PLM attribute.
INTEGRATION_ID	VARCHAR2	Reserved. This column, in future releases, will be used to uniquely identify dimension or fact entity in its source system.
ITEM_AML_FLAG	NUMBER	This flag is set to "Yes" or "1", if any one of the Manufacturer on item is Approved manufacturer. Which can be viewed from Manufacturer tab of Item. [Agile PLM] This field is derived and cannot be mapped to another Agile PLM attribute.
ITEM_ASSEMBLY_RATING_ID	NUMBER	Item assembly rating. Foreign key to ITEM_ASSEMBLY_RATING_D.ITEM_ASSEMBLY_RATING_ID. [Agile PLM] This field cannot be mapped to another Agile PLM attribute.
ITEM_ATTACHMENT_FLAG	NUMBER	This flag is set to "Yes" or "1", if Item has attachments . Which can be viewed from Attachment tab of Item. [Agile PLM] This field is derived and cannot be mapped to another Agile PLM attribute.
ITEM_AUDIT_FLAG	NUMBER	This flag is set to "Yes" or "1", if one or more Auidts related to Item. Which can be viewed from Quality tab>Quality Change Request table of Item. [Agile PLM] This field is derived and cannot be mapped to another Agile PLM attribute.
ITEM_BOM_FLAG	NUMBER	This flag indicates whether this object has a BOM. 1 for yes and 0 for no. [Agile PLM] This field is derived and cannot be mapped to another Agile PLM attribute.
ITEM_CAPA_FLAG	NUMBER	This flag is set to "Yes" or "1", if one or more CAPAs related to Item. Which can be viewed from Quality tab>Quality Change Request table of Item. [Agile PLM] This field is derived and cannot be mapped to another Agile PLM attribute.
ITEM_CATEGORY_ID	NUMBER	Item.cateory. Foreign key to ITEM_CATEGORY_D.ITEM_CATEGORY_ID. [Agile PLM] This field maps to the CATEGORY_ID in ITEM class. This field cannot be mapped to another Agile PLM attribute.
ITEM_COMMODITY_1_ID	NUMBER	Commodity 1. Foreign key to ITEM_COMMODITY_1_D.ITEM_COMMODITY_1_ID. [Agile PLM] Out of the box this defined column is not mapped to any Agile PLM attributes. Use the BI Configurator to map this column to an Agile PLM attribute.
ITEM_COMMODITY_2_ID	NUMBER	Commodity 2. Foreign key to ITEM_COMMODITY_2_D.ITEM_COMMODITY_2_ID. [Agile PLM] Out of the box this defined column is not mapped to any Agile PLM attributes. Use the BI Configurator to map this column to an Agile PLM attribute.
ITEM_COMMODITY_4	NUMBER	Commodity 4. [Agile PLM] Out of the box this defined column is not mapped to any Agile PLM attributes. Use the BI Configurator to map this column to an Agile PLM attribute.
ITEM_COMMODITY_5	NUMBER	Commodity 5. [Agile PLM] Out of the box this defined column is not mapped to any Agile PLM attributes. Use the BI Configurator to map this column to an Agile PLM attribute.
ITEM_COMMODITY_ID	NUMBER	Item commodity. Foreign key to ITEM_COMMODITY_D.ITEM_COMMODITY_ID. [Agile PLM] This field maps to the COMMODITY_ID attribute in ITEM class. This field cannot be mapped to another Agile PLM attribute.

ITEM_COMPLIANCE_1_ID	NUMBER	Item compliance 1. Foreign key to ITEM_COMPLIANCE_1_D.ITEM_COMPLIANCE_1_ID. [Agile PLM] Out of the box this defined column is not mapped to any Agile PLM attributes. Use the BI Configurator to map this column to an Agile PLM attribute.
ITEM_COMPLIANCE_2_ID	NUMBER	Item compliance 2. Foreign key to ITEM_COMPLIANCE_2_D.ITEM_COMPLIANCE_2_ID. [Agile PLM] Out of the box this defined column is not mapped to any Agile PLM attributes. Use the BI Configurator to map this column to an Agile PLM attribute.
ITEM_COMPLIANCY_ID	NUMBER	Item compliance. Foreign key to ITEM_COMPLIANCY_D.ITEM_COMPLIANCY_ID. [Agile PLM] This field maps to the COMPLIANCY_ID attribute in ITEM class and CHANGE tab. This field cannot be mapped to another Agile PLM attribute.
ITEM_COMPONENT_ENGINEER_ID	NUMBER	Item component engineer. Foreign key to ITEM_COMPONENT_ENGINEER_D.ITEM_COMPONENT_ENGINEER_ID. [Agile PLM] This field cannot be mapped to another Agile PLM attribute.
ITEM_COMP_ENG_1_ID	NUMBER	Item component engineer 1. Foreign key to ITEM_COMP_ENG_1_D.ITEM_COMP_ENG_1_ID. [Agile PLM] Out of the box this defined column is not mapped to any Agile PLM attributes. Use the BI Configurator to map this column to an Agile PLM attribute.
ITEM_COMP_ENG_2_ID	NUMBER	Item component engineer 2. Foreign key to ITEM_COMP_ENG_2_D.ITEM_COMP_ENG_2_ID. [Agile PLM] Out of the box this defined column is not mapped to any Agile PLM attributes. Use the BI Configurator to map this column to an Agile PLM attribute.
ITEM_COMP_ENG_4	NUMBER	Item component engineer 4. [Agile PLM] Out of the box this defined column is not mapped to any Agile PLM attributes. Use the BI Configurator to map this column to an Agile PLM attribute.
ITEM_COMP_ENG_5	NUMBER	Item component engineer 5. [Agile PLM] Out of the box this defined column is not mapped to any Agile PLM attributes. Use the BI Configurator to map this column to an Agile PLM attribute.
ITEM_COST_1	NUMBER	Item cost 1. [Agile PLM] Out of the box this defined column is not mapped to any Agile PLM attributes. Use the BI Configurator to map this column to an Agile PLM attribute.
ITEM_COST_2	NUMBER	Item cost 2. [Agile PLM] Out of the box this defined column is not mapped to any Agile PLM attributes. Use the BI Configurator to map this column to an Agile PLM attribute.
ITEM_COST_3	NUMBER	Item cost 3. [Agile PLM] Out of the box this defined column is not mapped to any Agile PLM attributes. Use the BI Configurator to map this column to an Agile PLM attribute.
ITEM_COST_RATING_ID	NUMBER	Item cost rating. Foreign key to ITEM_COST_RATING_D.ITEM_COST_RATING_ID. [Agile PLM] This field cannot be mapped to another Agile PLM attribute.
ITEM_CREATE_USER_ID	NUMBER	Item create user. [Agile PLM] This field is derived and cannot be mapped to another Agile PLM attribute.
ITEM_CUST_SUPP_1_ID	NUMBER	Item Customer Supplier 1. Foreign key to ITEM_CUST_SUPP_1_D.ITEM_CUST_SUPP_1_ID. [Agile PLM] Out of the box this defined column is not mapped to any Agile PLM attributes. Use the BI Configurator to map this column to an Agile PLM attribute.
ITEM_CUST_SUPP_2_ID	NUMBER	Item Customer Supplier 2. Foreign key to ITEM_CUST_SUPP_2_D.ITEM_CUST_SUPP_2_ID. [Agile PLM] Out of the box this defined column is not mapped to any Agile PLM attributes. Use the BI Configurator to map this column to an Agile PLM attribute.
ITEM_CUST_SUPP_4	NUMBER	Item Customer Supplier 4. [Agile PLM] Out of the box this defined column is not mapped to any Agile PLM attributes. Use the BI Configurator to map this column to an Agile PLM attribute.

ITEM_CUST_SUPP_5	NUMBER	Item Customer Supplier 5. [Agile PLM] Out of the box this defined column is not mapped to any Agile PLM attributes. Use the BI Configurator to map this column to an Agile PLM attribute.
ITEM_DESCRIPTION	VARCHAR2	Item description. [Agile PLM] This field maps to the DESCRIPTION attribute in ITEM class.
ITEM_ERP_1_ID	NUMBER	Item ERP 1. Foreign key to ITEM_ERP_1_D.ITEM_ERP_1_ID. [Agile PLM] Out of the box this defined column is not mapped to any Agile PLM attributes. Use the BI Configurator to map this column to an Agile PLM attribute.
ITEM_ERP_2_ID	NUMBER	Item ERP 2. Foreign key to ITEM_ERP_2_D.ITEM_ERP_2_ID. [Agile PLM] Out of the box this defined column is not mapped to any Agile PLM attributes. Use the BI Configurator to map this column to an Agile PLM attribute.
ITEM_ERP_4	NUMBER	Item ERP 4. [Agile PLM] Out of the box this defined column is not mapped to any Agile PLM attributes. Use the BI Configurator to map this column to an Agile PLM attribute.
ITEM_ERP_5	NUMBER	Item ERP 5. [Agile PLM] Out of the box this defined column is not mapped to any Agile PLM attributes. Use the BI Configurator to map this column to an Agile PLM attribute.
ITEM_ID	NUMBER	Item ID. [Agile PLM] Out of the box maps to the ID attribute in ITEM class.
ITEM_LEAD_TIME_1	NUMBER	Item lead time 1. [Agile PLM] Out of the box this defined column is not mapped to any Agile PLM attributes. Use the BI Configurator to map this column to an Agile PLM attribute.
ITEM_LEAD_TIME_2	NUMBER	Item lead time 2. [Agile PLM] Out of the box this defined column is not mapped to any Agile PLM attributes. Use the BI Configurator to map this column to an Agile PLM attribute.
ITEM_LIFECYCLE_RATING_ID	NUMBER	Item lifecycle rating. Foreign key to ITEM_LIFECYCLE_RATING_D.ITEM_LIFECYCLE_RATING_ID. [Agile PLM] This field cannot be mapped to another Agile PLM attribute.
ITEM_LIFECYCLE_STATE_ID	NUMBER	Item lifecycle state. Foreign key to ITEM_LIFECYCLE_STATE_D.ITEM_LIFECYCLE_STATE_ID. [Agile PLM] This field maps to the RELEASE_TYPE attribute in ITEM class and CHANGE tab. This field cannot be mapped to another Agile PLM attribute.
ITEM_NCR_FLAG	NUMBER	This flag is set to "Yes" or "1", if one or more Non Conformance Reports related to Item. Which can be viewed from Quality tab>Product Service Request table of Item. [Agile PLM] This field is derived and cannot be mapped to another Agile PLM attribute.
ITEM_NO	VARCHAR2	Item number. [Agile PLM] This field maps to the ITEM_NUMBER attribute in ITEM class.
ITEM_PART_FAMILY_ID	NUMBER	Item part family. Foreign key to ITEM_PART_FAMILY_D.ITEM_PART_FAMILY_ID. [Agile PLM] This field maps to the PART_FAMILY_ID attribute in ITEM class. This field cannot be mapped to another Agile PLM attribute.
ITEM_PERFORMANCE_RATING_ID	NUMBER	Item performance rating. Foreign key to ITEM_PERFORMANCE_RATING_D.ITEM_PERFORMANCE_RATING_ID. [Agile PLM] This field cannot be mapped to another Agile PLM attribute.
ITEM_PROD_ENG_1_ID	NUMBER	Item production engineer 1. Foreign key to ITEM_PROD_ENG_1_D.ITEM_PROD_ENG_1_ID. [Agile PLM] Out of the box this defined column is not mapped to any Agile PLM attributes. Use the BI Configurator to map this column to an Agile PLM attribute.
ITEM_PROD_ENG_2_ID	NUMBER	Item production engineer 2. Foreign key to ITEM_PROD_ENG_2_D.ITEM_PROD_ENG_2_ID. [Agile PLM] Out of the box this defined column is not mapped to any Agile PLM attributes. Use the BI Configurator to map this column to an Agile PLM attribute.

ITEM_PROD_ENG_4	NUMBER	Item production engineer 4. [Agile PLM] Out of the box this defined column is not mapped to any Agile PLM attributes. Use the BI Configurator to map this column to an Agile PLM attribute.
ITEM_PROD_ENG_5	NUMBER	Item production engineer 5. [Agile PLM] Out of the box this defined column is not mapped to any Agile PLM attributes. Use the BI Configurator to map this column to an Agile PLM attribute.
ITEM_PROGRAM_FLAG	NUMBER	This flag is set to "Yes" or "1", if one or more Programs are related to Item. Which can be viewed from Relationship tab of Item. [Agile PLM] This field is derived and cannot be mapped to another Agile PLM attribute.
ITEM_PR_FLAG	NUMBER	This flag is set to "Yes" or "1", if one or more Customer Complaints related to Item. Which can be viewed from Quality tab>Product Service Request table of Item. [Agile PLM] This field is derived and cannot be mapped to another Agile PLM attribute.
ITEM_QUANTITY_1	NUMBER	Item quantity 1. [Agile PLM] Out of the box this defined column is not mapped to any Agile PLM attributes. Use the BI Configurator to map this column to an Agile PLM attribute.
ITEM_QUANTITY_2	NUMBER	Item quantity 2. [Agile PLM] Out of the box this defined column is not mapped to any Agile PLM attributes. Use the BI Configurator to map this column to an Agile PLM attribute.
ITEM_QUANTITY_3	NUMBER	Item quantity 3. [Agile PLM] Out of the box this defined column is not mapped to any Agile PLM attributes. Use the BI Configurator to map this column to an Agile PLM attribute.
ITEM_RELEASED_FLAG	NUMBER	This flag is set to "Yes" or "1", if the object workflow is in Released state. Which is available from workflow tab of object. [Agile PLM] This field is derived and cannot be mapped to another Agile PLM attribute.
ITEM_RELIABILITY_RATING_ID	NUMBER	Item reliability rating. Foreign key to ITEM_RELIABILITY_RATING_D.ITEM_RELIABILITY_RATING_ID. [Agile PLM] This field cannot be mapped to another Agile PLM attribute.
ITEM_REV_ID	NUMBER	Item Revision ID. Foreign key to ITEM_REV_D.ITEM_REV_ID. [Agile PLM] This field maps to the ID attribute in ITEM class and CHANGE tab. This field cannot be mapped to another Agile PLM attribute.
ITEM_SIZE_ID	NUMBER	Item size. Foreign key to ITEM_SIZE_D.ITEM_SIZE_ID. [Agile PLM] This field maps to the DOCSIZE attribute in ITEM class. This field cannot be mapped to another Agile PLM attribute.
ITEM_TYPE_ID	NUMBER	Item type. [Agile PLM] This field is derived and cannot be mapped to another Agile PLM attribute.
ITEM_WHERE_USED_FLAG	NUMBER	This flag is set to "Yes" or "1", if Item used in Other Items Assembly, or BOM. Which can be viewed in Where used tab of Item. [Agile PLM] This field is derived and cannot be mapped to another Agile PLM attribute.
LATEST_REV_FLAG	NUMBER	This flag is set to "Yes" or "1", if an Item has undergone multiple revisions and flag is set for the latest released revision of item. Which can be viewed from Changes tab of Item. [Agile PLM] This field is derived and cannot be mapped to another Agile PLM attribute.
NEVER_RELEASED_FLAG	NUMBER	This flag is set to "Yes" or "1", if any one of change object on item (ECO, MCO and SCO) are not released once. Which can be viewed to from Change tab of item. [Agile PLM] This field is derived and cannot be mapped to another Agile PLM attribute.
NEXT_REV_RELEASE_TIME_ID	NUMBER	Next Revision Release Time ID. [Agile PLM] This field is derived and cannot be mapped to another Agile PLM attribute.
NUMBER_OF_MFR_PARTS	NUMBER	Number of mfr parts on the item. [Agile PLM] This field is derived and cannot be mapped to another Agile PLM attribute.
OBSOLETE_TIME_ID	NUMBER	Obsolete Time ID. [Agile PLM] This field maps to the OBSOLETE_DATE attribute in ITEM class and CHANGE tab.

PENDING_CHANGE_FLAG	NUMBER	This flag is set to "Yes" or "1", if all the changes on item objects are not released state. Which can be viewed from Change tab of item. [Agile PLM] This field is derived and cannot be mapped to another Agile PLM attribute.
PRELIMINARY_FLAG	NUMBER	This flag is set to "Yes" or "1", if any one of change object on item (ECO, MCO and SCO) are not released once. Which can be viewed to from Change tab of item. [Agile PLM] This field is derived and cannot be mapped to another Agile PLM attribute.
PRICE_FLAG	NUMBER	This flag is set to "Yes" or "1", if any Price related to Item. Which can be viewed from Price tab of Item. [Agile PLM] This field is derived and cannot be mapped to another Agile PLM attribute.
REV_INCORP_TIME_ID	NUMBER	Revision incorporation time. [Agile PLM] This field maps to the INCORP_DATE attribute in ITEM class and CHANGE tab.
REV_RELEASE_TIME_ID	NUMBER	Revision release time. [Agile PLM] This field maps to the RELEASE_DATE attribute in ITEM class and CHANGE tab.
REV_SEQ	NUMBER	Revision Sequence. [Agile PLM] This field is derived and cannot be mapped to another Agile PLM attribute.
ROLLUP_FLAG	NUMBER	This flag indicates whether this object has a rollup. 1 for yes and 0 for no. Maps to the EXCLUDE_FROM_ROLLUP_ID attribute in ITEM class. [Agile PLM] This field is derived and cannot be mapped to another Agile PLM attribute.
ROW_ID	NUMBER	Reserved. In future releases, this will store Surrogate key to uniquely identify a record.
SITE_ID	NUMBER	Site. Foreign key to SITE_D.SITE_ID. [Agile PLM] This field maps to the SITE attribute in ITEM class and CHANGE tab. This field cannot be mapped to another Agile PLM attribute.
SUPPLIER_FLAG	NUMBER	This flag indicates whether this object has a supplier. 1 for yes and 0 for no. [Agile PLM] This field is derived and cannot be mapped to another Agile PLM attribute.
TLA_FLAG	NUMBER	This flag indicates whether this object has a TLA. 1 for yes and 0 for no. Maps to the IS_TLA_ID attribute in ITEM class. [Agile PLM] This field is derived and cannot be mapped to another Agile PLM attribute.
WEIGHT	NUMBER	Weight. [Agile PLM] This field maps to the WEIGHT attribute in ITEM class and CHANGE tab.

**ITEM\_FAILURE\_MODE\_D**

Failure Modes for Affected Items Dimension Table. This table is conforming across all PQM and PC Subject Areas. Out of the box, this table is mapped to List data from Failure Mode attribute of the Parts class of Agile PLM.

Column	Type	Comments
DATASOURCE_NUM_ID	NUMBER	Reserved. This column, in future releases, will uniquely identify the source system from which data was extracted.
ENABLE	NUMBER	This flag indicates whether the Member is deleted or not enabled. 1 for yes and 0 for no. [Agile PLM] This field is derived and cannot be mapped to another Agile PLM attribute.
INTEGRATION_ID	VARCHAR2	Reserved. This column, in future releases, will be used to uniquely identify dimension or fact entity in its source system.
ITEM_FAILURE_MODE_ID	NUMBER	Item failure mode. Foreign key to ITEM_FAILURE_MODE_D. [Agile PLM] Out of the box maps to Failure Mode PLM attribute. Primary key that uniquely identifies the record. This field cannot be mapped to another Agile PLM attribute.
LAST_MODIFIED_DATE	DATE	Last Modified Date. [Agile PLM] This field is derived and cannot be mapped to another Agile PLM attribute.
LIST_ID	NUMBER	List ID associated with attribute.
NAME	VARCHAR2	Item Failure Mode Name
ROW_ID	NUMBER	Reserved. In future releases, this will store Surrogate key to uniquely identify a record.

**ITEM\_LIFECYCLE\_RATING\_D**

Item Life Cycle Rating Dimension Table. This table is conforming across the fact tables in the Item Subject Area. Out of the box, this table is not populated with Agile PLM data. The table is populated only when the Agile PLM attributes are mapped using BI Configurator.

Column	Type	Comments
DATASOURCE_NUM_ID	NUMBER	Reserved. This column, in future releases, will uniquely identify the source system from which data was extracted.
ENABLE	NUMBER	This flag indicates whether the Member is deleted or not enabled. 1 for yes and 0 for no. [Agile PLM] This field is derived and cannot be mapped to another Agile PLM attribute.
INTEGRATION_ID	VARCHAR2	Reserved. This column, in future releases, will be used to uniquely identify dimension or fact entity in its source system.
ITEM_LIFECYCLE_RATING_ID	NUMBER	Item lifecycle rating. Primary key that uniquely identifies the record.
LAST_MODIFIED_DATE	DATE	Last modified date. [Agile PLM] This field is derived and cannot be mapped to another Agile PLM attribute.
LIST_ID	NUMBER	List ID associated with attribute.
NAME	VARCHAR2	Item Lifecycle Rating Name
ROW_ID	NUMBER	Reserved. In future releases, this will store Surrogate key to uniquely identify a record.

**ITEM\_LIFECYCLE\_STATE\_D**

Life Cycle States for Affected Items Dimension Table. This table is conforming across all PQM and PC Subject Areas. Out of the box, this table is mapped to List data from Life Cycle State attribute of Parts class of Agile PLM.

Column	Type	Comments
DATASOURCE_NUM_ID	NUMBER	Reserved. This column, in future releases, will uniquely identify the source system from which data was extracted.
ENABLE	NUMBER	This flag indicates whether the Member is deleted or not enabled. 1 for yes and 0 for no. [Agile PLM] This field is derived and cannot be mapped to another Agile PLM attribute.
INTEGRATION_ID	VARCHAR2	Reserved. This column, in future releases, will be used to uniquely identify dimension or fact entity in its source system.
ITEM_LIFECYCLE_STATE_ID	NUMBER	Primary Key for the Dimension Table. Primary key that uniquely identifies the record.
LAST_MODIFIED_DATE	DATE	Last Modified Date. [Agile PLM] This field is derived and cannot be mapped to another Agile PLM attribute.
LIST_ID	NUMBER	List ID associated with attribute.
NAME	VARCHAR2	Item Lifecycle State Name
ROW_ID	NUMBER	Reserved. In future releases, this will store Surrogate key to uniquely identify a record.

**ITEM\_MFR\_PART\_DATA**

Item and Manufacturer Part Data Table. This is a Temporary table, Reserved for ETL process, and is used for configuring flex attributes between Item and Manufacturer Part relationship.

Column	Type	Comments
AML_SPLIT	NUMBER	AML split. [Agile PLM] This field maps to the AML_SPLIT_ID attribute in Manufacturer Part class.
AML_SPLIT_FLAG	NUMBER	This flag is set to "Yes" or "1", if Mfr/ Mfr Part related to item has AML split. Which can be viewed under Manufacturer tab of Item. [Agile PLM] This field is derived and cannot be mapped to another Agile PLM attribute.
DATASOURCE_NUM_ID	NUMBER	Reserved. This column, in future releases, will uniquely identify the source system from which data was extracted.
INTEGRATION_ID	VARCHAR2	Reserved. This column, in future releases, will be used to uniquely identify dimension or fact entity in its source system.
INVENTORY	NUMBER	Inventory.
ITEM_DESCRIPTION	VARCHAR2	
ITEM_ID	NUMBER	Item ID. Foreign key to ITEM_D.ITEM_ID. [Agile PLM] This field maps to the AGILE_PART_ID attribute in MANU_PARTS class. This field cannot be mapped to another Agile PLM attribute.
ITEM_MFR_PART_ID	NUMBER	
ITEM_MFR_PART_PREFER_STATUS_ID	NUMBER	Item manufacturer part prefer status. Foreign key to ITEM_MFR_PART_PREFER_STATUS_D.ITEM_MFR_PART_PREFER_STATUS_ID. [Agile PLM] This field maps to the PREFER_STATUS_ID attribute in MANU_BY class. This field cannot be mapped to another Agile PLM attribute.
ITEM_ONE_MFR_FLAG	NUMBER	
ITEM_ONE_MFR_PART_FLAG	NUMBER	Item One Manufacturer Part Flag. [Agile PLM] This field is derived and cannot be mapped to another Agile PLM attribute.
ITEM_THREE_MFR_PART_FLAG	NUMBER	Item Three Manufacturer Part Flag. [Agile PLM] This field is derived and cannot be mapped to another Agile PLM attribute.
ITEM_TWO_MFR_PART_FLAG	NUMBER	Item Two Manufacturer Part Flag. [Agile PLM] This field is derived and cannot be mapped to another Agile PLM attribute.
MANUBY_ID	NUMBER	
MFR_PART_GRT_ONE_ITEM_FLAG	NUMBER	This flag is set to "Yes" or "1", if Item has more than one Manufacturer. Which can be viewed from Manufacturer tab of Item. [Agile PLM] This field is derived and cannot be mapped to another Agile PLM attribute.
MFR_PART_ID	NUMBER	Manufacturer part ID. [Agile PLM] This field maps to the MANUPART_ID attribute in MANU_BY class.
REV_ID	NUMBER	Revision this object is associated with. Foreign key to ITEM_REV_D.ITEM_REV_ID. [Agile PLM] This field cannot be mapped to another Agile PLM attribute.
ROW_ID	NUMBER	Reserved. In future releases, this will store Surrogate key to uniquely identify a record.
SITE_ID	NUMBER	Site. Foreign key to SITE_D.SITE_ID. [Agile PLM] This field maps to the SITE_ID attribute in MANU_BY class. This field cannot be mapped to another Agile PLM attribute.

**ITEM\_MFR\_PART\_PREFER\_STATUS\_D**

Item Manufacturer Part Preferred Status Dimension Table. This table is conforming across the fact tables in the Item AML Subject Area. Out of the box, this table is mapped to List data from the Manufacturer Part Preferred Status attribute of Manufacturer Part Class 'where used' tab of Agile PLM.

Column	Type	Comments
DATASOURCE_NUM_ID	NUMBER	Reserved. This column, in future releases, will uniquely identify the source system from which data was extracted.
ENABLE	NUMBER	This flag indicates whether the Member is deleted or not enabled. 1 for yes and 0 for no. [Agile PLM] This field is derived and cannot be mapped to another Agile PLM attribute.
INTEGRATION_ID	VARCHAR2	Reserved. This column, in future releases, will be used to uniquely identify dimension or fact entity in its source system.
ITEM_MFR_PART_PREFER_STATUS_ID	NUMBER	Item manufacturer part prefer status. Primary key that uniquely identifies the record.
LAST_MODIFIED_DATE	DATE	Last modified date. [Agile PLM] This field is derived and cannot be mapped to another Agile PLM attribute.
LIST_ID	NUMBER	List ID associated with attribute.
NAME	VARCHAR2	Item Manufacturer Part Prefer Status Name
ROW_ID	NUMBER	Reserved. In future releases, this will store Surrogate key to uniquely identify a record.

**ITEM\_PART\_FAMILY\_D**

Part Families for Affected Items Dimension Table. This table is conforming across all PQM and PC Subject Areas. Out of the box, this table is mapped to List data from Part Family attribute of Parts class.

Column	Type	Comments
DATASOURCE_NUM_ID	NUMBER	Reserved. This column, in future releases, will uniquely identify the source system from which data was extracted.
ENABLE	NUMBER	This flag indicates whether the Member is deleted or not enabled. 1 for yes and 0 for no. [Agile PLM] This field is derived and cannot be mapped to another Agile PLM attribute.
INTEGRATION_ID	VARCHAR2	Reserved. This column, in future releases, will be used to uniquely identify dimension or fact entity in its source system.
ITEM_PART_FAMILY_ID	NUMBER	Item part family. Primary key that uniquely identifies the record.
LAST_MODIFIED_DATE	DATE	Last Modified Date. [Agile PLM] This field is derived and cannot be mapped to another Agile PLM attribute.
LIST_ID	NUMBER	List ID associated with attribute.
NAME	VARCHAR2	Item Part Family Name
ROW_ID	NUMBER	Reserved. In future releases, this will store Surrogate key to uniquely identify a record.

**ITEM\_PERFORMANCE\_RATING\_D**

Item Performance Rating Dimension Table. This table is conforming across the fact tables in the Item Subject Area. Out of the box, this table is not populated with Agile PLM data. The table is populated only when the Agile PLM attributes are mapped using BI Configurator.

Column	Type	Comments
DATASOURCE_NUM_ID	NUMBER	Reserved. This column, in future releases, will uniquely identify the source system from which data was extracted.
ENABLE	NUMBER	This flag indicates whether the Member is deleted or not enabled. 1 for yes and 0 for no. [Agile PLM] This field is derived and cannot be mapped to another Agile PLM attribute.
INTEGRATION_ID	VARCHAR2	Reserved. This column, in future releases, will be used to uniquely identify dimension or fact entity in its source system.
ITEM_PERFORMANCE_RATING_ID	NUMBER	Item performance rating. Primary key that uniquely identifies the record.
LAST_MODIFIED_DATE	DATE	Last modified date. [Agile PLM] This field is derived and cannot be mapped to another Agile PLM attribute.
LIST_ID	NUMBER	List ID associated with attribute.
NAME	VARCHAR2	Item Performance Rating Name
ROW_ID	NUMBER	Reserved. In future releases, this will store Surrogate key to uniquely identify a record.

**ITEM\_PRODUCTLINE\_B**

Item Productline Bridge table. Maintains data between Item and Productline to resolve many to many relationships. Out of the box, this table is not populated with Agile PLM data. The table is populated when the Agile PLM Multilist type attribute is mapped to the corresponding column in the fact table using BI Configurator.

Column	Type	Comments
DATASOURCE_NUM_ID	NUMBER	Reserved. This column, in future releases, will uniquely identify the source system from which data was extracted.
INTEGRATION_ID	VARCHAR2	Reserved. This column, in future releases, will be used to uniquely identify dimension or fact entity in its source system.
ITEM_ID	NUMBER	Foreign key to ITEM_ID in item fact tables such as ITEM_F, PC_ECO_ITEM_DATA and PC_SS_ITEM_DATA.
ITEM_PRODUCTLINE_ID	NUMBER	Item Productline ID. Foreign key to ITEM_PRODUCTLINE_D.
ROW_ID	NUMBER	Reserved. In future releases, this will store Surrogate key to uniquely identify a record.

**ITEM\_PRODUCTLINE\_D**

Item Productline Dimension Table. Product Lines for Affected Items and is conforming across all PQM Subject Areas. Out of the box, this table is mapped to List data from Product Line attribute of Parts and Documents class.

Column	Type	Comments
DATASOURCE_NUM_ID	NUMBER	Reserved. This column, in future releases, will uniquely identify the source system from which data was extracted.
ENABLE	NUMBER	This flag indicates whether the Member is deleted or not enabled. 1 for yes and 0 for no. [Agile PLM] This field is derived and cannot be mapped to another Agile PLM attribute.
INTEGRATION_ID	VARCHAR2	Reserved. This column, in future releases, will be used to uniquely identify dimension or fact entity in its source system.
ITEM_PRODUCTLINE_ID	NUMBER	Primary Key for the Dimension Table. Primary key that uniquely identifies the record.
LAST_MODIFIED_DATE	DATE	Last Modified Date. [Agile PLM] This field is derived and cannot be mapped to another Agile PLM attribute.
LIST_ID	NUMBER	List ID associated with attribute.
NAME	VARCHAR2	Item Productline Name
ROW_ID	NUMBER	Reserved. In future releases, this will store Surrogate key to uniquely identify a record.

**ITEM\_PROD\_ENG\_1\_D**

Item Product Engineering Dimension Table. This table is conforming across fact tables in Item Subject Area. Out of the box, this table is not populated with Agile PLM data. The table is populated only when the Agile PLM attributes are mapped using BI Configurator.

Column	Type	Comments
DATASOURCE_NUM_ID	NUMBER	Reserved. This column, in future releases, will uniquely identify the source system from which data was extracted.
ENABLE	NUMBER	This flag indicates whether the Member is deleted or not enabled. 1 for yes and 0 for no. [Agile PLM] This field is derived and cannot be mapped to another Agile PLM attribute.
INTEGRATION_ID	VARCHAR2	Reserved. This column, in future releases, will be used to uniquely identify dimension or fact entity in its source system.
ITEM_PROD_ENG_1_ID	NUMBER	Item production engineer 1. [Agile PLM] Out of the box this defined column is not mapped to any Agile PLM attributes. Use the BI Configurator to map this column to an Agile PLM attribute. Primary key that uniquely identifies the record.
LAST_MODIFIED_DATE	DATE	Last modified date. [Agile PLM] This field is derived and cannot be mapped to another Agile PLM attribute.
LIST_ID	NUMBER	List ID associated with attribute.
NAME	VARCHAR2	Item Product Engineering Name
ROW_ID	NUMBER	Reserved. In future releases, this will store Surrogate key to uniquely identify a record.

**ITEM\_PROD\_ENG\_2\_D**

Item Product Engineering Dimension Table. This table is conforming across the fact tables in the Item Subject Area. Out of the box, this table is not populated with Agile PLM data. The table is populated only when the Agile PLM attributes are mapped using BI Configurator.

Column	Type	Comments
DATASOURCE_NUM_ID	NUMBER	Reserved. This column, in future releases, will uniquely identify the source system from which data was extracted.
ENABLE	NUMBER	This flag indicates whether the Member is deleted or not enabled. 1 for yes and 0 for no. [Agile PLM] This field is derived and cannot be mapped to another Agile PLM attribute.
INTEGRATION_ID	VARCHAR2	Reserved. This column, in future releases, will be used to uniquely identify dimension or fact entity in its source system.
ITEM_PROD_ENG_2_ID	NUMBER	Item production engineer 2. [Agile PLM] Out of the box this defined column is not mapped to any Agile PLM attributes. Use the BI Configurator to map this column to an Agile PLM attribute. Primary key that uniquely identifies the record.
LAST_MODIFIED_DATE	DATE	Last modified date. [Agile PLM] This field is derived and cannot be mapped to another Agile PLM attribute.
LIST_ID	NUMBER	List ID associated with attribute.
NAME	VARCHAR2	Item Product Engineering Name
ROW_ID	NUMBER	Reserved. In future releases, this will store Surrogate key to uniquely identify a record.

**ITEM\_PROD\_ENG\_3\_B**

Bridge Table. Maintains data between ITEM\_PROD\_ENG\_3\_D table and Item fact to resolve many to many relationships. Out of the box, this table is not populated with Agile PLM data. The table is populated when the Agile PLM Multilist type attribute is mapped to the corresponding column in the fact table using BI Configurator.

Column	Type	Comments
DATASOURCE_NUM_ID	NUMBER	Reserved. This column, in future releases, will uniquely identify the source system from which data was extracted.
INTEGRATION_ID	VARCHAR2	Reserved. This column, in future releases, will be used to uniquely identify dimension or fact entity in its source system.
ITEM_ID	NUMBER	Item ID.
ITEM_PROD_ENG_3_ID	NUMBER	Item Production Engineer 3. [Agile PLM] Out of the box this defined column is not mapped to any Agile PLM attributes. Use the BI Configurator to map this column to an Agile PLM attribute.
ROW_ID	NUMBER	Reserved. In future releases, this will store Surrogate key to uniquely identify a record.

**ITEM\_PROD\_ENG\_3\_D**

Item Product Engineering Dimension Table. This table is conforming across the fact tables in the Item Subject Area. Out of the box, this table is not populated with Agile PLM data. The table is populated only when the Agile PLM attributes are mapped using BI Configurator.

Column	Type	Comments
DATASOURCE_NUM_ID	NUMBER	Reserved. This column, in future releases, will uniquely identify the source system from which data was extracted.
ENABLE	NUMBER	This flag indicates whether the Member is deleted or not enabled. 1 for yes and 0 for no. [Agile PLM] This field is derived and cannot be mapped to another Agile PLM attribute.
INTEGRATION_ID	VARCHAR2	Reserved. This column, in future releases, will be used to uniquely identify dimension or fact entity in its source system.
ITEM_PROD_ENG_3_ID	NUMBER	Item Production Engineer 3. [Agile PLM] Out of the box this defined column is not mapped to any Agile PLM attributes. Use the BI Configurator to map this column to an Agile PLM attribute. Primary key that uniquely identifies the record.
LAST_MODIFIED_DATE	DATE	Last modified date. [Agile PLM] This field is derived and cannot be mapped to another Agile PLM attribute.
LIST_ID	NUMBER	List ID associated with attribute.
NAME	VARCHAR2	Item Product Engineering Name
ROW_ID	NUMBER	Reserved. In future releases, this will store Surrogate key to uniquely identify a record.

**ITEM\_RELIABILITY\_RATING\_D**

Item Reliability Rating Dimension Table. This table is conforming across the fact tables in the Item Subject Area. Out of the box, this table is not populated with Agile PLM data. The table is populated only when the Agile PLM attributes are mapped using BI Configurator.

Column	Type	Comments
DATASOURCE_NUM_ID	NUMBER	Reserved. This column, in future releases, will uniquely identify the source system from which data was extracted.
ENABLE	NUMBER	This flag indicates whether the Member is deleted or not enabled. 1 for yes and 0 for no. [Agile PLM] This field is derived and cannot be mapped to another Agile PLM attribute.
INTEGRATION_ID	VARCHAR2	Reserved. This column, in future releases, will be used to uniquely identify dimension or fact entity in its source system.
ITEM_RELIABILITY_RATING_ID	NUMBER	Item reliability rating. Primary key that uniquely identifies the record.
LAST_MODIFIED_DATE	DATE	Last modified date. [Agile PLM] This field is derived and cannot be mapped to another Agile PLM attribute.
LIST_ID	NUMBER	List ID associated with attribute.
NAME	VARCHAR2	Item Reliability Rating Name
ROW_ID	NUMBER	Reserved. In future releases, this will store Surrogate key to uniquely identify a record.

**ITEM\_REV\_D**

Item Revision Dimension table. Stores the list of Item Revisions.

Column	Type	Comments
DATASOURCE_NUM_ID	NUMBER	Reserved. This column, in future releases, will uniquely identify the source system from which data was extracted.
ENABLE	NUMBER	This flag indicates whether the Member is deleted or not enabled. 1 for yes and 0 for no. [Agile PLM] This field is derived and cannot be mapped to another Agile PLM attribute.
INTEGRATION_ID	VARCHAR2	Reserved. This column, in future releases, will be used to uniquely identify dimension or fact entity in its source system.
ITEM_REV_ID	NUMBER	Item Revision ID. Primary key that uniquely identifies the record.
LAST_MODIFIED_DATE	DATE	Last Modified Date. [Agile PLM] This field is derived and cannot be mapped to another Agile PLM attribute.
LIST_ID	NUMBER	List ID associated with attribute.
NAME	VARCHAR2	Item Revision Name
ROW_ID	NUMBER	Reserved. In future releases, this will store Surrogate key to uniquely identify a record.

**ITEM\_SIZE\_D**

Sizes for Affected Items Dimension Table. This table is conforming across all PQM Subject Areas. Out of the box, this table is mapped to List data from Size attribute of Parts class of Agile PLM.

Column	Type	Comments
DATASOURCE_NUM_ID	NUMBER	Reserved. This column, in future releases, will uniquely identify the source system from which data was extracted.
ENABLE	NUMBER	This flag indicates whether the Member is deleted or not enabled. 1 for yes and 0 for no. [Agile PLM] This field is derived and cannot be mapped to another Agile PLM attribute.
INTEGRATION_ID	VARCHAR2	Reserved. This column, in future releases, will be used to uniquely identify dimension or fact entity in its source system.
ITEM_SIZE_ID	NUMBER	Primary Key for the Dimension Table. Primary key that uniquely identifies the record.
LAST_MODIFIED_DATE	DATE	Last Modified Date. [Agile PLM] This field is derived and cannot be mapped to another Agile PLM attribute.
LIST_ID	NUMBER	List ID associated with attribute.
NAME	VARCHAR2	Item Size
ROW_ID	NUMBER	Reserved. In future releases, this will store Surrogate key to uniquely identify a record.

**ITEM\_SUPPLIER\_B**

Item Supplier Bridge table. Maintains data between Item fact and Supplier dimension to resolve many to many relationships. Out of the box, this table is not populated with Agile PLM data. The table is populated when the Agile PLM Multilist type attribute is mapped to the corresponding column in the fact table using BI Configurator.

Column	Type	Comments
DATASOURCE_NUM_ID	NUMBER	Reserved. This column, in future releases, will uniquely identify the source system from which data was extracted.
INTEGRATION_ID	VARCHAR2	Reserved. This column, in future releases, will be used to uniquely identify dimension or fact entity in its source system.
ITEM_ID	NUMBER	Foreign key to ITEM_D, serves as the primary key (with PQM_AUDIT_ID).
ROW_ID	NUMBER	Reserved. In future releases, this will store Surrogate key to uniquely identify a record.
SUPPLIER_ID	NUMBER	Supplier ID. Foreign key to SUPPLIER_D.

**ITEM\_TLA\_D**

Item TLAs Dimension Table. This table is conforming across the fact tables in the Item Subject Area. Out of the box, this table is mapped to List data from TLA attribute of the Parts class of Agile PLM.

Column	Type	Comments
DATASOURCE_NUM_ID	NUMBER	Reserved. This column, in future releases, will uniquely identify the source system from which data was extracted.
ENABLE	NUMBER	This flag indicates whether the Member is deleted or not enabled. 1 for yes and 0 for no. [Agile PLM] This field is derived and cannot be mapped to another Agile PLM attribute.
INTEGRATION_ID	VARCHAR2	Reserved. This column, in future releases, will be used to uniquely identify dimension or fact entity in its source system.
ITEM_TLA_ID	NUMBER	Item Tla. Primary key that uniquely identifies the record.
LAST_MODIFIED_DATE	DATE	Last modified date. [Agile PLM] This field is derived and cannot be mapped to another Agile PLM attribute.
LIST_ID	NUMBER	List ID associated with attribute.
NAME	VARCHAR2	Item Top Level Assembly Name
ROW_ID	NUMBER	Reserved. In future releases, this will store Surrogate key to uniquely identify a record.

**ITEM\_TYPE\_D**

Item Type or Subclass Dimension Table. This table is conforming across the fact tables in the Item Subject Area. Out of the box, this table is mapped to type or subclass attribute of Part Class of Agile PLM.

Column	Type	Comments
DATASOURCE_NUM_ID	NUMBER	Reserved. This column, in future releases, will uniquely identify the source system from which data was extracted.
ENABLE	NUMBER	This flag indicates whether the Member is deleted or not enabled. 1 for yes and 0 for no. [Agile PLM] This field is derived and cannot be mapped to another Agile PLM attribute.
INTEGRATION_ID	VARCHAR2	Reserved. This column, in future releases, will be used to uniquely identify dimension or fact entity in its source system.
ITEM_TYPE_ID	NUMBER	Primary Key for the Dimension Table. Primary key that uniquely identifies the record.
LAST_MODIFIED_DATE	DATE	Last Modified Date. [Agile PLM] This field is derived and cannot be mapped to another Agile PLM attribute.
LIST_ID	NUMBER	List ID associated with attribute.
NAME	VARCHAR2	Item Type Name
ROW_ID	NUMBER	Reserved. In future releases, this will store Surrogate key to uniquely identify a record.

**MANUFACTURER\_D**

Manufacturers Dimension Table. This table is conforming across PLM. Out of the box, this table is mapped to List of the Manufacturers of the Manufacturer Class of Agile PLM.

Column	Type	Comments
ADDRESS	VARCHAR2	MANUFACTURERS.ADDRESS.
CITY	VARCHAR2	MANUFACTURERS.CITY.
CONTACT	VARCHAR2	MANUFACTURERS.CONTACT.
DATASOURCE_NUM_ID	NUMBER	Reserved. This column, in future releases, will uniquely identify the source system from which data was extracted.
DUNS_NUMBER	VARCHAR2	MANUFACTURERS.DUNS_NUMBER.
EMAIL	VARCHAR2	MANUFACTURERS.EMAIL.
ENABLE	NUMBER	This flag indicates whether the Member is deleted or not enabled. 1 for yes and 0 for no. [Agile PLM] This field is derived and cannot be mapped to another Agile PLM attribute.
FAX	VARCHAR2	MANUFACTURERS.FAX.
INTEGRATION_ID	VARCHAR2	Reserved. This column, in future releases, will be used to uniquely identify dimension or fact entity in its source system.
LAST_MODIFIED_DATE	DATE	Last Modified Date. [Agile PLM] This field is derived and cannot be mapped to another Agile PLM attribute.
LIST_ID	NUMBER	List ID associated with attribute.
MANUFACTURER_ID	NUMBER	MANUFACTURERS.ID. Primary key that uniquely identifies the record.
NAME	VARCHAR2	Manufacturer Name
PHONE	VARCHAR2	MANUFACTURERS.PHONE.
POSTAL_CODE	VARCHAR2	MANUFACTURERS.ZIP.
ROW_ID	NUMBER	Reserved. In future releases, this will store Surrogate key to uniquely identify a record.
URL	VARCHAR2	MANUFACTURERS.URL.

**MDS\_LISTDIM\_CTL**

List Dimension Data Population Control Table.

Column	Type	Comments
COLUMN_NAME	VARCHAR2	List Dimesion primary key column name.
INS_TYPE	NUMBER	If value is 1 then SQL query will used to populate the Dimension table. if value is 2 then population will depend on configuration.
SQL_QUERY	VARCHAR2	Contains query which used to populate the correponding Dimension table, if query is defined then INS_TYPE column will contain value "2".
TABLE_NAME	VARCHAR2	List Dimension table name.

**MFR\_COMPLIANCE\_D**

Manufacturer Compliance Dimension Table. This table is conforming across fact tables in Manufacturer Part Subject Area. Out of the box, this table is mapped to compliance attribute of Manufacturer Class of Agile PLM.

Column	Type	Comments
DATASOURCE_NUM_ID	NUMBER	Reserved. This column, in future releases, will uniquely identify the source system from which data was extracted.
ENABLE	NUMBER	This flag indicates whether the Member is deleted or not enabled. 1 for yes and 0 for no. [Agile PLM] This field is derived and cannot be mapped to another Agile PLM attribute.
INTEGRATION_ID	VARCHAR2	Reserved. This column, in future releases, will be used to uniquely identify dimension or fact entity in its source system.
LAST_MODIFIED_DATE	DATE	Last Modified Date. [Agile PLM] This field is derived and cannot be mapped to another Agile PLM attribute.
LIST_ID	NUMBER	List ID associated with attribute.
MFR_COMPLIANCE_ID	NUMBER	Manufacturer Compliance ID. Primary key that uniquely identifies the record.
NAME	VARCHAR2	Manufacturer Compliance Name
ROW_ID	NUMBER	Reserved. In future releases, this will store Surrogate key to uniquely identify a record.

**MFR\_COUNTRY\_D**

Manufacturer Countries Dimension Table. This table is conforming across the fact tables in Manufacturer Part Subject Area. Out of the box, this table is mapped to List data from the Manufacturer Country attribute of Manufacturer class.

Column	Type	Comments
DATASOURCE_NUM_ID	NUMBER	Reserved. This column, in future releases, will uniquely identify the source system from which data was extracted.
ENABLE	NUMBER	This flag indicates whether the Member is deleted or not enabled. 1 for yes and 0 for no. [Agile PLM] This field is derived and cannot be mapped to another Agile PLM attribute.
INTEGRATION_ID	VARCHAR2	Reserved. This column, in future releases, will be used to uniquely identify dimension or fact entity in its source system.
LAST_MODIFIED_DATE	DATE	Last modified date. [Agile PLM] This field is derived and cannot be mapped to another Agile PLM attribute.
LIST_ID	NUMBER	List ID associated with attribute.
MFR_COUNTRY_ID	NUMBER	Manufacturer Country. Primary key that uniquely identifies the record.
NAME	VARCHAR2	Manufacturer Country Name
ROW_ID	NUMBER	Reserved. In future releases, this will store Surrogate key to uniquely identify a record.

**MFR\_LIFECYCLE\_PHASE\_D**

Manufacturer Lifecycle Phases Dimension Table. This table is conforming across the fact tables in Manufacturer Part Subject Area. Out of the box, this table is mapped to List data from Lifecycle Phases attribute of Manufacturer class.

Column	Type	Comments
DATASOURCE_NUM_ID	NUMBER	Reserved. This column, in future releases, will uniquely identify the source system from which data was extracted.
ENABLE	NUMBER	This flag indicates whether the Member is deleted or not enabled. 1 for yes and 0 for no. [Agile PLM] This field is derived and cannot be mapped to another Agile PLM attribute.
INTEGRATION_ID	VARCHAR2	Reserved. This column, in future releases, will be used to uniquely identify dimension or fact entity in its source system.
LAST_MODIFIED_DATE	DATE	Last modified date. [Agile PLM] This field is derived and cannot be mapped to another Agile PLM attribute.
LIST_ID	NUMBER	List ID associated with attribute.
MFR_LIFECYCLE_PHASE_ID	NUMBER	Manufacturer lifecycle phase. Primary key that uniquely identifies the record.
NAME	VARCHAR2	Manufacturer Lifecycle Phase Name
ROW_ID	NUMBER	Reserved. In future releases, this will store Surrogate key to uniquely identify a record.

**MFR\_LOCATION\_D**

Manufacturer Locations Dimension Table. This table is conforming across the fact tables in Manufacturer Part Subject Area. Out of the box, this table is mapped to List data from the Manufacturer Location attribute of Manufacturer class.

Column	Type	Comments
DATASOURCE_NUM_ID	NUMBER	Reserved. This column, in future releases, will uniquely identify the source system from which data was extracted.
ENABLE	NUMBER	This flag indicates whether the Member is deleted or not enabled. 1 for yes and 0 for no. [Agile PLM] This field is derived and cannot be mapped to another Agile PLM attribute.
INTEGRATION_ID	VARCHAR2	Reserved. This column, in future releases, will be used to uniquely identify dimension or fact entity in its source system.
LAST_MODIFIED_DATE	DATE	Last modified date. [Agile PLM] This field is derived and cannot be mapped to another Agile PLM attribute.
LIST_ID	NUMBER	List ID associated with attribute.
MFR_LOCATION_ID	NUMBER	Manufacturer location. Primary key that uniquely identifies the record.
NAME	VARCHAR2	Manufacturer Location Name
ROW_ID	NUMBER	Reserved. In future releases, this will store Surrogate key to uniquely identify a record.

***MFR\_PART\_ASSEMBLY\_RATE\_D***

Manufacturer Part Assembly Rating Dimension Table. This table is conforming across the fact tables in Manufacturer Part Subject Area. Out of the box, this table is not populated with Agile PLM data. The table is populated only when the Agile PLM attributes are mapped using BI Configurator.

Column	Type	Comments
DATASOURCE_NUM_ID	NUMBER	Reserved. This column, in future releases, will uniquely identify the source system from which data was extracted.
ENABLE	NUMBER	This flag indicates whether the Member is deleted or not enabled. 1 for yes and 0 for no. [Agile PLM] This field is derived and cannot be mapped to another Agile PLM attribute.
INTEGRATION_ID	VARCHAR2	Reserved. This column, in future releases, will be used to uniquely identify dimension or fact entity in its source system.
LAST_MODIFIED_DATE	DATE	Last modified date. [Agile PLM] This field is derived and cannot be mapped to another Agile PLM attribute.
LIST_ID	NUMBER	List ID associated with attribute.
MFR_PART_ASSEMBLY_RATE_ID	NUMBER	Manufacturer part assembly rate. Primary key that uniquely identifies the record.
NAME	VARCHAR2	Manufacturer Part Assembly Rating Name
ROW_ID	NUMBER	Reserved. In future releases, this will store Surrogate key to uniquely identify a record.

**MFR\_PART\_COMMODITY\_1\_D**

Manufacturer Part Commodity Dimension Table. This table is conforming across the fact tables in Manufacturer Part Subject Area. Out of the box, this table is not populated with Agile PLM data. The table is populated only when the Agile PLM attributes are mapped using BI Configurator.

Column	Type	Comments
DATASOURCE_NUM_ID	NUMBER	Reserved. This column, in future releases, will uniquely identify the source system from which data was extracted.
ENABLE	NUMBER	This flag indicates whether the Member is deleted or not enabled. 1 for yes and 0 for no. [Agile PLM] This field is derived and cannot be mapped to another Agile PLM attribute.
INTEGRATION_ID	VARCHAR2	Reserved. This column, in future releases, will be used to uniquely identify dimension or fact entity in its source system.
LAST_MODIFIED_DATE	DATE	Last modified date. [Agile PLM] This field is derived and cannot be mapped to another Agile PLM attribute.
LIST_ID	NUMBER	List ID associated with attribute.
MFR_PART_COMMODITY_1_ID	NUMBER	Manufacturer part commodity 1. [Agile PLM] Out of the box this defined column is not mapped to any Agile PLM attributes. Use the BI Configurator to map this column to an Agile PLM attribute. Primary key that uniquely identifies the record.
NAME	VARCHAR2	Manufacturer Part Commodity Name
ROW_ID	NUMBER	Reserved. In future releases, this will store Surrogate key to uniquely identify a record.

**MFR\_PART\_COMMODITY\_2\_D**

Manufacturer Part Commodity Dimension Table. This table is conforming across the fact tables in Manufacturer Part Subject Area. Out of the box, this table is not populated with Agile PLM data. The table is populated only when the Agile PLM attributes are mapped using BI Configurator.

Column	Type	Comments
DATASOURCE_NUM_ID	NUMBER	Reserved. This column, in future releases, will uniquely identify the source system from which data was extracted.
ENABLE	NUMBER	This flag indicates whether the Member is deleted or not enabled. 1 for yes and 0 for no. [Agile PLM] This field is derived and cannot be mapped to another Agile PLM attribute.
INTEGRATION_ID	VARCHAR2	Reserved. This column, in future releases, will be used to uniquely identify dimension or fact entity in its source system.
LAST_MODIFIED_DATE	DATE	Last modified date. [Agile PLM] This field is derived and cannot be mapped to another Agile PLM attribute.
LIST_ID	NUMBER	List ID associated with attribute.
MFR_PART_COMMODITY_2_ID	NUMBER	Manufacturer part commodity 2. [Agile PLM] Out of the box this defined column is not mapped to any Agile PLM attributes. Use the BI Configurator to map this column to an Agile PLM attribute. Primary key that uniquely identifies the record.
NAME	VARCHAR2	Manufacturer Part Commodity Name
ROW_ID	NUMBER	Reserved. In future releases, this will store Surrogate key to uniquely identify a record.

**MFR\_PART\_COMMODITY\_3\_B**

Manufacturer Part Commodity Bridge Table. Maintains data between MFR\_PART\_COMMODITY\_3\_D table and Mfr Part fact to resolve many to many relationships. Out of the box, this table is not populated with Agile PLM data. The table is populated when the Agile PLM Multilist type attribute is mapped to the corresponding column in the fact table using BI Configurator.

Column	Type	Comments
DATASOURCE_NUM_ID	NUMBER	Reserved. This column, in future releases, will uniquely identify the source system from which data was extracted.
INTEGRATION_ID	VARCHAR2	Reserved. This column, in future releases, will be used to uniquely identify dimension or fact entity in its source system.
MFR_PART_COMMODITY_3_ID	NUMBER	Manufacturer Part Commodity 3. [Agile PLM] Out of the box this defined column is not mapped to any Agile PLM attributes. Use the BI Configurator to map this column to an Agile PLM attribute.
MFR_PART_ID	NUMBER	Manufacturer part ID.
ROW_ID	NUMBER	Reserved. In future releases, this will store Surrogate key to uniquely identify a record.

**MFR\_PART\_COMMODITY\_3\_D**

Manufacturer Part Commodity Dimension Table. This table is conforming across the fact tables in Manufacturer Part Subject Area. Out of the box, this table is not populated with Agile PLM data. The table is populated only when the Agile PLM attributes are mapped using BI Configurator.

Column	Type	Comments
DATASOURCE_NUM_ID	NUMBER	Reserved. This column, in future releases, will uniquely identify the source system from which data was extracted.
ENABLE	NUMBER	This flag indicates whether the Member is deleted or not enabled. 1 for yes and 0 for no. [Agile PLM] This field is derived and cannot be mapped to another Agile PLM attribute.
INTEGRATION_ID	VARCHAR2	Reserved. This column, in future releases, will be used to uniquely identify dimension or fact entity in its source system.
LAST_MODIFIED_DATE	DATE	Last modified date. [Agile PLM] This field is derived and cannot be mapped to another Agile PLM attribute.
LIST_ID	NUMBER	List ID associated with attribute.
MFR_PART_COMMODITY_3_ID	NUMBER	Manufacturer Part Commodity 3. [Agile PLM] Out of the box this defined column is not mapped to any Agile PLM attributes. Use the BI Configurator to map this column to an Agile PLM attribute. Primary key that uniquely identifies the record.
NAME	VARCHAR2	Manufacturer Part Commodity Name
ROW_ID	NUMBER	Reserved. In future releases, this will store Surrogate key to uniquely identify a record.

**MFR\_PART\_COMPLIANCE\_1\_D**

Manufacturer Part Compliance Dimension Table. This table is conforming across the fact tables in Manufacturer Part Subject Area. Out of the box, this table is not populated with Agile PLM data. The table is populated only when the Agile PLM attributes are mapped using BI Configurator.

Column	Type	Comments
DATASOURCE_NUM_ID	NUMBER	Reserved. This column, in future releases, will uniquely identify the source system from which data was extracted.
ENABLE	NUMBER	This flag indicates whether the Member is deleted or not enabled. 1 for yes and 0 for no. [Agile PLM] This field is derived and cannot be mapped to another Agile PLM attribute.
INTEGRATION_ID	VARCHAR2	Reserved. This column, in future releases, will be used to uniquely identify dimension or fact entity in its source system.
LAST_MODIFIED_DATE	DATE	Last modified date. [Agile PLM] This field is derived and cannot be mapped to another Agile PLM attribute.
LIST_ID	NUMBER	List ID associated with attribute.
MFR_PART_COMPLIANCE_1_ID	NUMBER	Manufacturer part compliance 1. [Agile PLM] Out of the box this defined column is not mapped to any Agile PLM attributes. Use the BI Configurator to map this column to an Agile PLM attribute. Primary key that uniquely identifies the record.
NAME	VARCHAR2	Manufacturer Part Compliance Name
ROW_ID	NUMBER	Reserved. In future releases, this will store Surrogate key to uniquely identify a record.

**MFR\_PART\_COMPLIANCE\_2\_D**

Manufacturer Part Compliance Dimension Table. This table is conforming across the fact tables in Manufacturer Part Subject Area. Out of the box, this table is not populated with Agile PLM data. The table is populated only when the Agile PLM attributes are mapped using BI Configurator.

Column	Type	Comments
DATASOURCE_NUM_ID	NUMBER	Reserved. This column, in future releases, will uniquely identify the source system from which data was extracted.
ENABLE	NUMBER	This flag indicates whether the Member is deleted or not enabled. 1 for yes and 0 for no. [Agile PLM] This field is derived and cannot be mapped to another Agile PLM attribute.
INTEGRATION_ID	VARCHAR2	Reserved. This column, in future releases, will be used to uniquely identify dimension or fact entity in its source system.
LAST_MODIFIED_DATE	DATE	Last modified date. [Agile PLM] This field is derived and cannot be mapped to another Agile PLM attribute.
LIST_ID	NUMBER	List ID associated with attribute.
MFR_PART_COMPLIANCE_2_ID	NUMBER	Manufacturer part compliance 2. [Agile PLM] Out of the box this defined column is not mapped to any Agile PLM attributes. Use the BI Configurator to map this column to an Agile PLM attribute. Primary key that uniquely identifies the record.
NAME	VARCHAR2	Manufacturer Part Compliance Name
ROW_ID	NUMBER	Reserved. In future releases, this will store Surrogate key to uniquely identify a record.

**MFR\_PART\_COMPLIANCE\_3\_B**

Manufacturer Part Compliance Bridge table. Maintains data between MFR\_PART\_COMPLIANCE\_3\_D table and Mfr Part fact to resolve many to many relationships. Out of the box, this table is not populated with Agile PLM data. The table is populated when the Agile PLM Multilist type attribute is mapped to the corresponding column in the fact table using BI Configurator.

Column	Type	Comments
DATASOURCE_NUM_ID	NUMBER	Reserved. This column, in future releases, will uniquely identify the source system from which data was extracted.
INTEGRATION_ID	VARCHAR2	Reserved. This column, in future releases, will be used to uniquely identify dimension or fact entity in its source system.
MFR_PART_COMPLIANCE_3_ID	NUMBER	Manufacturer Part Compliance 3. [Agile PLM] Out of the box this defined column is not mapped to any Agile PLM attributes. Use the BI Configurator to map this column to an Agile PLM attribute.
MFR_PART_ID	NUMBER	Manufacturer part ID.
ROW_ID	NUMBER	Reserved. In future releases, this will store Surrogate key to uniquely identify a record.

**MFR\_PART\_COMPLIANCE\_3\_D**

Manufacturer Part Compliance Dimension Table. This table is conforming across the fact tables in Manufacturer Part Subject Area. Out of the box, this table is not populated with Agile PLM data. The table is populated only when the Agile PLM attributes are mapped using BI Configurator.

Column	Type	Comments
DATASOURCE_NUM_ID	NUMBER	Reserved. This column, in future releases, will uniquely identify the source system from which data was extracted.
ENABLE	NUMBER	This flag indicates whether the Member is deleted or not enabled. 1 for yes and 0 for no. [Agile PLM] This field is derived and cannot be mapped to another Agile PLM attribute.
INTEGRATION_ID	VARCHAR2	Reserved. This column, in future releases, will be used to uniquely identify dimension or fact entity in its source system.
LAST_MODIFIED_DATE	DATE	Last modified date. [Agile PLM] This field is derived and cannot be mapped to another Agile PLM attribute.
LIST_ID	NUMBER	List ID associated with attribute.
MFR_PART_COMPLIANCE_3_ID	NUMBER	Manufacturer Part Compliance 3. [Agile PLM] Out of the box this defined column is not mapped to any Agile PLM attributes. Use the BI Configurator to map this column to an Agile PLM attribute. Primary key that uniquely identifies the record.
NAME	VARCHAR2	Manufacturer Part Compliance Name
ROW_ID	NUMBER	Reserved. In future releases, this will store Surrogate key to uniquely identify a record.

**MFR\_PART\_COMPLIANCE\_D**

Manufacturer Part Compliance Dimension Table. This table is conforming across the fact tables in Manufacturer Part Subject Area. Out of the box, this table is mapped to List data from Compliance attribute of Manufacturer Parts class.

Column	Type	Comments
DATASOURCE_NUM_ID	NUMBER	Reserved. This column, in future releases, will uniquely identify the source system from which data was extracted.
ENABLE	NUMBER	This flag indicates whether the Member is deleted or not enabled. 1 for yes and 0 for no. [Agile PLM] This field is derived and cannot be mapped to another Agile PLM attribute.
INTEGRATION_ID	VARCHAR2	Reserved. This column, in future releases, will be used to uniquely identify dimension or fact entity in its source system.
LAST_MODIFIED_DATE	DATE	Last modified date. [Agile PLM] This field is derived and cannot be mapped to another Agile PLM attribute.
LIST_ID	NUMBER	List ID associated with attribute.
MFR_PART_COMPLIANCE_ID	NUMBER	Manufacturer part compliance. Primary key that uniquely identifies the record.
NAME	VARCHAR2	Manufacturer Part Compliance Name
ROW_ID	NUMBER	Reserved. In future releases, this will store Surrogate key to uniquely identify a record.

**MFR\_PART\_COMP\_ENG\_1\_D**

Manufacturer Part Component Engineering Dimension Table. This table is conforming across the fact tables in Manufacturer Part Subject Area. Out of the box, this table is not populated with Agile PLM data. The table is populated only when the Agile PLM attributes are mapped using BI Configurator.

Column	Type	Comments
DATASOURCE_NUM_ID	NUMBER	Reserved. This column, in future releases, will uniquely identify the source system from which data was extracted.
ENABLE	NUMBER	This flag indicates whether the Member is deleted or not enabled. 1 for yes and 0 for no. [Agile PLM] This field is derived and cannot be mapped to another Agile PLM attribute.
INTEGRATION_ID	VARCHAR2	Reserved. This column, in future releases, will be used to uniquely identify dimension or fact entity in its source system.
LAST_MODIFIED_DATE	DATE	Last modified date. [Agile PLM] This field is derived and cannot be mapped to another Agile PLM attribute.
LIST_ID	NUMBER	List ID associated with attribute.
MFR_PART_COMP_ENG_1_ID	NUMBER	Manufacturer part component engineer 1. [Agile PLM] Out of the box this defined column is not mapped to any Agile PLM attributes. Use the BI Configurator to map this column to an Agile PLM attribute. Primary key that uniquely identifies the record.
NAME	VARCHAR2	Manufacturer Part Component Engineering Name
ROW_ID	NUMBER	Reserved. In future releases, this will store Surrogate key to uniquely identify a record.

**MFR\_PART\_COMP\_ENG\_2\_D**

Manufacturer Part Component Engineering Dimension Table. This table is conforming across the fact tables in Manufacturer Part Subject Area. Out of the box, this table is not populated with Agile PLM data. The table is populated only when the Agile PLM attributes are mapped using BI Configurator.

Column	Type	Comments
DATASOURCE_NUM_ID	NUMBER	Reserved. This column, in future releases, will uniquely identify the source system from which data was extracted.
ENABLE	NUMBER	This flag indicates whether the Member is deleted or not enabled. 1 for yes and 0 for no. [Agile PLM] This field is derived and cannot be mapped to another Agile PLM attribute.
INTEGRATION_ID	VARCHAR2	Reserved. This column, in future releases, will be used to uniquely identify dimension or fact entity in its source system.
LAST_MODIFIED_DATE	DATE	Last modified date. [Agile PLM] This field is derived and cannot be mapped to another Agile PLM attribute.
LIST_ID	NUMBER	List ID associated with attribute.
MFR_PART_COMP_ENG_2_ID	NUMBER	Manufacturer part component engineer 2. [Agile PLM] Out of the box this defined column is not mapped to any Agile PLM attributes. Use the BI Configurator to map this column to an Agile PLM attribute. Primary key that uniquely identifies the record.
NAME	VARCHAR2	Manufacturer Part Component Engineering Name
ROW_ID	NUMBER	Reserved. In future releases, this will store Surrogate key to uniquely identify a record.

**MFR\_PART\_COMP\_ENG\_3\_B**

Manufacturer Part Component Engineering Bridge table. Maintains data between MFR\_PART\_COMP\_ENG\_3\_D table and Mfr Part fact to resolve many to many relationships. Out of the box, this table is not populated with Agile PLM data. The table is populated when the Agile PLM Multilist type attribute is mapped to the corresponding column in the fact table using BI Configurator.

Column	Type	Comments
DATASOURCE_NUM_ID	NUMBER	Reserved. This column, in future releases, will uniquely identify the source system from which data was extracted.
INTEGRATION_ID	VARCHAR2	Reserved. This column, in future releases, will be used to uniquely identify dimension or fact entity in its source system.
MFR_PART_COMP_ENG_3_ID	NUMBER	Manufacturer Part Component Engineer 3. [Agile PLM] Out of the box this defined column is not mapped to any Agile PLM attributes. Use the BI Configurator to map this column to an Agile PLM attribute.
MFR_PART_ID	NUMBER	Manufacturer part ID.
ROW_ID	NUMBER	Reserved. In future releases, this will store Surrogate key to uniquely identify a record.

**MFR\_PART\_COMP\_ENG\_3\_D**

Manufacturer Part Component Engineering Dimension Table. This table is conforming across the fact tables in Manufacturer Part Subject Area. Out of the box, this table is not populated with Agile PLM data. The table is populated only when the Agile PLM attributes are mapped using BI Configurator.

Column	Type	Comments
DATASOURCE_NUM_ID	NUMBER	Reserved. This column, in future releases, will uniquely identify the source system from which data was extracted.
ENABLE	NUMBER	This flag indicates whether the Member is deleted or not enabled. 1 for yes and 0 for no. [Agile PLM] This field is derived and cannot be mapped to another Agile PLM attribute.
INTEGRATION_ID	VARCHAR2	Reserved. This column, in future releases, will be used to uniquely identify dimension or fact entity in its source system.
LAST_MODIFIED_DATE	DATE	Last modified date. [Agile PLM] This field is derived and cannot be mapped to another Agile PLM attribute.
LIST_ID	NUMBER	List ID associated with attribute.
MFR_PART_COMP_ENG_3_ID	NUMBER	Manufacturer Part Component Engineer 3. [Agile PLM] Out of the box this defined column is not mapped to any Agile PLM attributes. Use the BI Configurator to map this column to an Agile PLM attribute. Primary key that uniquely identifies the record.
NAME	VARCHAR2	Manufacturer Part Component Engineering Name
ROW_ID	NUMBER	Reserved. In future releases, this will store Surrogate key to uniquely identify a record.

**MFR\_PART\_COMP\_ENG\_D**

Manufacturer Part Component Engineer Dimension Table. This table is conforming across the fact tables in Manufacturer Part Subject Area. Out of the box, this table is not populated with Agile PLM data. The table is populated only when the Agile PLM attributes are mapped using BI Configurator.

Column	Type	Comments
DATASOURCE_NUM_ID	NUMBER	Reserved. This column, in future releases, will uniquely identify the source system from which data was extracted.
ENABLE	NUMBER	This flag indicates whether the Member is deleted or not enabled. 1 for yes and 0 for no. [Agile PLM] This field is derived and cannot be mapped to another Agile PLM attribute.
INTEGRATION_ID	VARCHAR2	Reserved. This column, in future releases, will be used to uniquely identify dimension or fact entity in its source system.
LAST_MODIFIED_DATE	DATE	Last modified date. [Agile PLM] This field is derived and cannot be mapped to another Agile PLM attribute.
LIST_ID	NUMBER	List ID associated with attribute.
MFR_PART_COMP_ENG_ID	NUMBER	Manufacturer part component engineer. Primary key that uniquely identifies the record.
NAME	VARCHAR2	Manufacturer Part Component Engineering Name
ROW_ID	NUMBER	Reserved. In future releases, this will store Surrogate key to uniquely identify a record.

***MFR\_PART\_COST\_RATE\_D***

Manufacturer Part Cost Rate Dimension Table. This table is conforming across the fact tables in Manufacturer Part Subject Area. Out of the box, this table is not populated with Agile PLM data. The table is populated only when the Agile PLM attributes are mapped using BI Configurator.

Column	Type	Comments
DATASOURCE_NUM_ID	NUMBER	Reserved. This column, in future releases, will uniquely identify the source system from which data was extracted.
ENABLE	NUMBER	This flag indicates whether the Member is deleted or not enabled. 1 for yes and 0 for no. [Agile PLM] This field is derived and cannot be mapped to another Agile PLM attribute.
INTEGRATION_ID	VARCHAR2	Reserved. This column, in future releases, will be used to uniquely identify dimension or fact entity in its source system.
LAST_MODIFIED_DATE	DATE	Last modified date. [Agile PLM] This field is derived and cannot be mapped to another Agile PLM attribute.
LIST_ID	NUMBER	List ID associated with attribute.
MFR_PART_COST_RATE_ID	NUMBER	Manufacturer part cost rate. Primary key that uniquely identifies the record.
NAME	VARCHAR2	Manufacturer Part Cost Rating Name
ROW_ID	NUMBER	Reserved. In future releases, this will store Surrogate key to uniquely identify a record.

**MFR\_PART\_F**

Manufacturer Part Fact Table. This is the core fact table for Agile PLM Manufacturer Part which has Volume and Risk related measures.

Column	Type	Comments
ATTACHMENT_FLAG	NUMBER	This flag indicates whether the object has attachments. 1 for yes and 0 for no. [Agile PLM] This field is derived and cannot be mapped to another Agile PLM attribute.
COMPLIANCE_CALC_TIME_ID	NUMBER	Compliance Calculation Time in Julian Date format. [Agile PLM] This field maps to the "Compliance Calculated Date" attribute in Manufacturer Part class. This column cannot be re-mapped to another Agile PLM attribute.
DATASOURCE_NUM_ID	NUMBER	Reserved. This column, in future releases, will uniquely identify the source system from which data was extracted.
DECLARATION_FLAG	NUMBER	This flag is set to "Yes" or "1", if any Declaration related to Item. Which can be viewed from Declaration tab of Item. [Agile PLM] This field is derived and cannot be mapped to another Agile PLM attribute.
DESCRIPTION	VARCHAR2	Description. [Agile PLM] This field maps to the "Mfr. Part Description" attribute in Manufacturer Part class. This column cannot be re-mapped to another Agile PLM attribute.
INTEGRATION_ID	VARCHAR2	Reserved. This column, in future releases, will be used to uniquely identify dimension or fact entity in its source system.
ITEM_FLAG	NUMBER	This flag indicates whether the object has associated items. 1 for yes and 0 for no. [Agile PLM] This field is derived and cannot be mapped to another Agile PLM attribute.
MANUFACTURER_ID	NUMBER	Manufacturer ID. Foreign key to MANUFACTURER_D.MANUFACTURER_ID. [Agile PLM] This field maps to the "Mfr. Name" attribute in Manufacturer Part class. This column cannot be re-mapped to another Agile PLM attribute.
MANUFACTURER_NAME	VARCHAR2	Manufacturer Name. [Agile PLM] This field maps to the "Manufacturer Name" attribute in Manufacturer class. This column cannot be re-mapped to another Agile PLM attribute.
MASS	NUMBER	Mass. [Agile PLM] This field maps to the WEIGHT_UOM attribute in MANU_PARTS class.
MASS_FLAG	NUMBER	This flag indicates whether the object has mass. 1 for yes and 0 for no. [Agile PLM] This field is derived and cannot be mapped to another Agile PLM attribute.
MFR_COMPLIANCE_ID	NUMBER	Manufacturer Compliance ID. Foreign key to MFR_COMPLIANCE_D.MFR_COMPLIANCE_ID. [Agile PLM] This field cannot be mapped to another Agile PLM attribute.
MFR_COUNTRY_ID	NUMBER	Manufacturer Country. Foreign key to MFR_COUNTRY_D.MFR_COUNTRY_ID. [Agile PLM] This field maps to the "Mfr. Country" attribute in Manufacturer class. This column cannot be re-mapped to another Agile PLM attribute.
MFR_LIFECYCLE_PHASE_ID	NUMBER	Manufacturer lifecycle phase. Foreign key to MFR_LIFECYCLE_PHASE_D.MFR_LIFECYCLE_PHASE_ID. [Agile PLM] This field maps to the "Mfr. Lifecycle Phase" attribute in Manufacturer class. This column cannot be re-mapped to another Agile PLM attribute.
MFR_LOCATION_ID	NUMBER	Manufacturer location. Foreign key to MFR_LOCATION_D.MFR_LOCATION_ID. [Agile PLM] This field maps to the "Geography" attribute in Manufacturer class. This column cannot be re-mapped to another Agile PLM attribute.
MFR_ONE_ITEM_FLAG	NUMBER	Manufacturer One Item Flag. [Agile PLM] This field is derived and cannot be mapped to another Agile PLM attribute.

MFR_PART_ASSEMBLY_RATE_ID	NUMBER	Manufacturer part assembly rate. Foreign key to MFR_PART_ASSEMBLY_RATE_D.MFR_PART_ASSEMBLY_RATE_ID. [Agile PLM] This field cannot be mapped to another Agile PLM attribute.
MFR_PART_COMMODITY_1_ID	NUMBER	Manufacturer part commodity 1. Foreign key to MFR_PART_COMMODITY_1_D.MFR_PART_COMMODITY_1_ID. [Agile PLM] Out of the box this defined column is not mapped to any Agile PLM attributes. Use the BI Configurator to map this column to an Agile PLM attribute.
MFR_PART_COMMODITY_2_ID	NUMBER	Manufacturer part commodity 2. Foreign key to MFR_PART_COMMODITY_2_D.MFR_PART_COMMODITY_2_ID. [Agile PLM] Out of the box this defined column is not mapped to any Agile PLM attributes. Use the BI Configurator to map this column to an Agile PLM attribute.
MFR_PART_COMMODITY_4	NUMBER	Manufacturer Part Commodity 4. [Agile PLM] Out of the box this defined column is not mapped to any Agile PLM attributes. Use the BI Configurator to map this column to an Agile PLM attribute.
MFR_PART_COMMODITY_5	NUMBER	Manufacturer Part Commodity 5. [Agile PLM] Out of the box this defined column is not mapped to any Agile PLM attributes. Use the BI Configurator to map this column to an Agile PLM attribute.
MFR_PART_COMPLIANCE_1_ID	NUMBER	Manufacturer part compliance 1. Foreign key to MFR_PART_COMPLIANCE_1_D.MFR_PART_COMPLIANCE_1_ID. [Agile PLM] Out of the box this defined column is not mapped to any Agile PLM attributes. Use the BI Configurator to map this column to an Agile PLM attribute
MFR_PART_COMPLIANCE_2_ID	NUMBER	Manufacturer part compliance 2. Foreign key to MFR_PART_COMPLIANCE_2_D.MFR_PART_COMPLIANCE_2_ID. [Agile PLM] Out of the box this defined column is not mapped to any Agile PLM attributes. Use the BI Configurator to map this column to an Agile PLM attribute
MFR_PART_COMPLIANCE_ID	NUMBER	Manufacturer part compliance. Foreign key to MFR_PART_COMPLIANCE_D.MFR_PART_COMPLIANCE_ID. [Agile PLM] This field maps to the "Overall Compliance" attribute in Manufacturer Part class. This column cannot be re-mapped to another Agile PLM attribute.
MFR_PART_COMP_ENG_1_ID	NUMBER	Manufacturer part component engineer 1. Foreign key to MFR_PART_COMP_ENG_1_D.MFR_PART_COMP_ENG_1_ID. [Agile PLM] Out of the box this defined column is not mapped to any Agile PLM attributes. Use the BI Configurator to map this column to an Agile PLM attri
MFR_PART_COMP_ENG_2_ID	NUMBER	Manufacturer part component engineer 2. Foreign key to MFR_PART_COMP_ENG_2_D.MFR_PART_COMP_ENG_2_ID. [Agile PLM] Out of the box this defined column is not mapped to any Agile PLM attributes. Use the BI Configurator to map this column to an Agile PLM attri
MFR_PART_COMP_ENG_4	NUMBER	Manufacturer Part Component Engineer 4. [Agile PLM] Out of the box this defined column is not mapped to any Agile PLM attributes. Use the BI Configurator to map this column to an Agile PLM attribute.
MFR_PART_COMP_ENG_5	NUMBER	Manufacturer Part Component Engineer 5. [Agile PLM] Out of the box this defined column is not mapped to any Agile PLM attributes. Use the BI Configurator to map this column to an Agile PLM attribute.
MFR_PART_COMP_ENG_ID	NUMBER	Manufacturer part component engineer. Foreign key to MFR_PART_COMP_ENG_D.MFR_PART_COMP_ENG_ID. [Agile PLM] This field cannot be mapped to another Agile PLM attribute.
MFR_PART_COST_1	NUMBER	Manufacturer Part Cost 1. [Agile PLM] Out of the box this defined column is not mapped to any Agile PLM attributes. Use the BI Configurator to map this column to an Agile PLM attribute.

MFR_PART_COST_2	NUMBER	Manufacturer Part Cost 2. [Agile PLM] Out of the box this defined column is not mapped to any Agile PLM attributes. Use the BI Configurator to map this column to an Agile PLM attribute.
MFR_PART_COST_3	NUMBER	Manufacturer Part Cost 3. [Agile PLM] Out of the box this defined column is not mapped to any Agile PLM attributes. Use the BI Configurator to map this column to an Agile PLM attribute.
MFR_PART_COST_RATE_ID	NUMBER	Manufacturer part cost rate. Foreign key to MFR_PART_COST_RATE_D.MFR_PART_COST_RATE_ID. [Agile PLM] This field cannot be mapped to another Agile PLM attribute.
MFR_PART_CREATE_TIME_ID	NUMBER	Manufacturer part create time in Julian Date format. [Agile PLM] This field maps to the CREATE_DATE attribute in MANUFACTURERS class.
MFR_PART_CREATE_USER_ID	NUMBER	Manufacturer part create user. Foreign key to USER_D.USER_ID. [Agile PLM] This field maps to the "Mfr. Part Create User" attribute in Manufacturer Part class. This column cannot be re-mapped to another Agile PLM attribute.
MFR_PART_ID	NUMBER	Manufacturer part ID. [Agile PLM] This field maps to the "Mfr. Part Number" attribute in Manufacturer Part class. This column cannot be re-mapped to another Agile PLM attribute.
MFR_PART_LEAD_TIME_1	NUMBER	Manufacturer Part Lead Time 1. [Agile PLM] Out of the box this defined column is not mapped to any Agile PLM attributes. Use the BI Configurator to map this column to an Agile PLM attribute.
MFR_PART_LEAD_TIME_2	NUMBER	Manufacturer Part Lead Time 2. [Agile PLM] Out of the box this defined column is not mapped to any Agile PLM attributes. Use the BI Configurator to map this column to an Agile PLM attribute.
MFR_PART_LIFECYCLE_PHASE_ID	NUMBER	Manufacturer part lifecycle phase. Foreign key to MFR_PART_LIFECYCLE_PHASE_D.MFR_PART_LIFECYCLE_PHASE_ID. [Agile PLM] This field maps to the "Mfr. Part Lifecycle Phase" attribute in Manufacturer Part class. This column cannot be re-mapped to another Agile PLM attribute.
MFR_PART_LIFECYCLE_RATE_ID	NUMBER	Manufacturer part lifecycle rate. Foreign key to MFR_PART_LIFECYCLE_RATE_D.MFR_PART_LIFECYCLE_RATE_ID. [Agile PLM] This field cannot be mapped to another Agile PLM attribute.
MFR_PART_NO	VARCHAR2	Manufacturer Part No. [Agile PLM] This field maps to the "Manufacturer Part Number" attribute in Manufacturer Part class. This column cannot be re-mapped to another Agile PLM attribute.
MFR_PART_PARTFAMILY_ID	NUMBER	Manufacturer part part family. Foreign key to MFR_PART_PARTFAMILY_D.MFR_PART_PARTFAMILY_ID. [Agile PLM] This field maps to the "Part Family" attribute in Manufacturer Part class. This column cannot be re-mapped to another Agile PLM attribute.
MFR_PART_PERF_RATE_ID	NUMBER	Manufacturer part performance rate. Foreign key to MFR_PART_PERF_RATE_D.MFR_PART_PERF_RATE_ID. [Agile PLM] This field cannot be mapped to another Agile PLM attribute.
MFR_PART_QUANTITY_1	NUMBER	Manufacturer Part Quantity 1. [Agile PLM] Out of the box this defined column is not mapped to any Agile PLM attributes. Use the BI Configurator to map this column to an Agile PLM attribute.
MFR_PART_QUANTITY_2	NUMBER	Manufacturer Part Quantity 2. [Agile PLM] Out of the box this defined column is not mapped to any Agile PLM attributes. Use the BI Configurator to map this column to an Agile PLM attribute.
MFR_PART_QUANTITY_3	NUMBER	Manufacturer Part Quantity 3. [Agile PLM] Out of the box this defined column is not mapped to any Agile PLM attributes. Use the BI Configurator to map this column to an Agile PLM attribute.
MFR_PART_RELIABILITY_RATE_ID	NUMBER	Manufacturer part reliability rate. Foreign key to MFR_PART_RELIABILITY_RATE_D.MFR_PART_RELIABILITY_RATE_ID. [Agile PLM] This field cannot be mapped to another Agile PLM attribute.

MFR_PART_TYPE_ID	NUMBER	Manufacturer part type. Foreign key to MFR_PART_TYPE_D.MFR_PART_TYPE_ID. [Agile PLM] This field maps to the "Mfr Part Type" attribute in Manufacturer Part class. This column cannot be re-mapped to another Agile PLM attribute.
MFR_SIZE_ID	NUMBER	Manufacturer Size ID. Foreign key to MFR_SIZE_D.MFR_SIZE_ID. [Agile PLM] This field cannot be mapped to another Agile PLM attribute.
MFR_STATE_ID	NUMBER	Manufacturer state. Foreign key to MFR_STATE_D.MFR_STATE_ID. [Agile PLM] This field maps to the "Mfr. State" attribute in Manufacturer class. This column cannot be re-mapped to another Agile PLM attribute.
MFR_TYPE_ID	NUMBER	Manufacturer type. Foreign key to MFR_TYPE_D.MFR_TYPE_ID. [Agile PLM] This field maps to the "Mfr. Type" attribute in Manufacturer class. This column cannot be re-mapped to another Agile PLM attribute.
OBSOLETE_TIME_ID	NUMBER	Obsolete Time ID. [Agile PLM] This field maps to the OBSOLETE_DATE attribute in ITEM class and CHANGE tab.
PRICE_FLAG	NUMBER	This flag is set to "Yes" or "1", if the item related to Mfr part has Price . Which can be viewed under Relation ship tab of Manufacturer. [Agile PLM] This field is derived and cannot be mapped to another Agile PLM attribute.
REDLINE_MFR_PART_FLAG	NUMBER	This flag is set to "Yes" or "1", if the item related to Mfr part has redline Manufacturers. Which can be viewed under Relation ship tab of Manufacturer. [Agile PLM] This field is derived and cannot be mapped to another Agile PLM attribute.
ROW_ID	NUMBER	Reserved. In future releases, this will store Surrogate key to uniquely identify a record.

**MFR\_PART\_LIFECYCLE\_PHASE\_D**

Manufacturer Part Lifecycle Phases Dimension Table. This table is conforming across the fact tables in Manufacturer Part Subject Area. Out of the box, this table is mapped to List data from the Manufacturer Part Lifecycle Phases attribute of Manufacturer Part class.

Column	Type	Comments
DATASOURCE_NUM_ID	NUMBER	Reserved. This column, in future releases, will uniquely identify the source system from which data was extracted.
ENABLE	NUMBER	This flag indicates whether the Member is deleted or not enabled. 1 for yes and 0 for no. [Agile PLM] This field is derived and cannot be mapped to another Agile PLM attribute.
INTEGRATION_ID	VARCHAR2	Reserved. This column, in future releases, will be used to uniquely identify dimension or fact entity in its source system.
LAST_MODIFIED_DATE	DATE	Last modified date. [Agile PLM] This field is derived and cannot be mapped to another Agile PLM attribute.
LIST_ID	NUMBER	List ID associated with attribute.
MFR_PART_LIFECYCLE_PHASE_ID	NUMBER	Manufacturer part lifecycle phase. Primary key that uniquely identifies the record.
NAME	VARCHAR2	Manufacturer Part Lifecycle Phase Name
ROW_ID	NUMBER	Reserved. In future releases, this will store Surrogate key to uniquely identify a record.

***MFR\_PART\_LIFECYCLE\_RATE\_D***

Manufacturer Part Lifecycle Rating Dimension Table. This table is conforming across the fact tables in Manufacturer Part Subject Area. Out of the box, this table is not populated with Agile PLM data. The table is populated only when the Agile PLM attributes are mapped using BI Configurator.

Column	Type	Comments
DATASOURCE_NUM_ID	NUMBER	Reserved. This column, in future releases, will uniquely identify the source system from which data was extracted.
ENABLE	NUMBER	This flag indicates whether the Member is deleted or not enabled. 1 for yes and 0 for no. [Agile PLM] This field is derived and cannot be mapped to another Agile PLM attribute.
INTEGRATION_ID	VARCHAR2	Reserved. This column, in future releases, will be used to uniquely identify dimension or fact entity in its source system.
LAST_MODIFIED_DATE	DATE	Last modified date. [Agile PLM] This field is derived and cannot be mapped to another Agile PLM attribute.
LIST_ID	NUMBER	List ID associated with attribute.
MFR_PART_LIFECYCLE_RATE_ID	NUMBER	Manufacturer part lifecycle rate. Primary key that uniquely identifies the record.
NAME	VARCHAR2	Manufacturer Part Lifecycle Rating Name
ROW_ID	NUMBER	Reserved. In future releases, this will store Surrogate key to uniquely identify a record.

**MFR\_PART\_PARTFAMILY\_D**

Manufacturer Part Families Dimension Table. This table is conforming across the fact tables in Manufacturer Part Subject Area. Out of the box, this table is mapped to List data from Manufacturer Part Family attribute of Manufacturer Part class.

Column	Type	Comments
DATASOURCE_NUM_ID	NUMBER	Reserved. This column, in future releases, will uniquely identify the source system from which data was extracted.
ENABLE	NUMBER	This flag indicates whether the Member is deleted or not enabled. 1 for yes and 0 for no. [Agile PLM] This field is derived and cannot be mapped to another Agile PLM attribute.
INTEGRATION_ID	VARCHAR2	Reserved. This column, in future releases, will be used to uniquely identify dimension or fact entity in its source system.
LAST_MODIFIED_DATE	DATE	Last modified date. [Agile PLM] This field is derived and cannot be mapped to another Agile PLM attribute.
LIST_ID	NUMBER	List ID associated with attribute.
MFR_PART_PARTFAMILY_ID	NUMBER	Manufacturer part part family. Primary key that uniquely identifies the record.
NAME	VARCHAR2	Manufacturer Part Part Family Name
ROW_ID	NUMBER	Reserved. In future releases, this will store Surrogate key to uniquely identify a record.

***MFR\_PART\_PERF\_RATE\_D***

Manufacturer Part Performance Rating Dimension Table. This table is conforming across the fact tables in Manufacturer Part Subject Area. Out of the box, this table is not populated with Agile PLM data. The table is populated only when the Agile PLM attributes are mapped using BI Configurator.

Column	Type	Comments
DATASOURCE_NUM_ID	NUMBER	Reserved. This column, in future releases, will uniquely identify the source system from which data was extracted.
ENABLE	NUMBER	This flag indicates whether the Member is deleted or not enabled. 1 for yes and 0 for no. [Agile PLM] This field is derived and cannot be mapped to another Agile PLM attribute.
INTEGRATION_ID	VARCHAR2	Reserved. This column, in future releases, will be used to uniquely identify dimension or fact entity in its source system.
LAST_MODIFIED_DATE	DATE	Last modified date. [Agile PLM] This field is derived and cannot be mapped to another Agile PLM attribute.
LIST_ID	NUMBER	List ID associated with attribute.
MFR_PART_PERF_RATE_ID	NUMBER	Manufacturer part performance rate. Primary key that uniquely identifies the record.
NAME	VARCHAR2	Manufacturer Part Performance Rate Name
ROW_ID	NUMBER	Reserved. In future releases, this will store Surrogate key to uniquely identify a record.

***MFR\_PART\_RELIABILITY\_RATE\_D***

Manufacturer Part Reliability Rating Dimension Table. This table is conforming across the fact tables in Manufacturer Part Subject Area. Out of the box, this table is not populated with Agile PLM data. The table is populated only when the Agile PLM attributes are mapped using BI Configurator.

Column	Type	Comments
DATASOURCE_NUM_ID	NUMBER	Reserved. This column, in future releases, will uniquely identify the source system from which data was extracted.
ENABLE	NUMBER	This flag indicates whether the Member is deleted or not enabled. 1 for yes and 0 for no. [Agile PLM] This field is derived and cannot be mapped to another Agile PLM attribute.
INTEGRATION_ID	VARCHAR2	Reserved. This column, in future releases, will be used to uniquely identify dimension or fact entity in its source system.
LAST_MODIFIED_DATE	DATE	Last modified date. [Agile PLM] This field is derived and cannot be mapped to another Agile PLM attribute.
LIST_ID	NUMBER	List ID associated with attribute.
MFR_PART_RELIABILITY_RATE_ID	NUMBER	Manufacturer part reliability rate. Primary key that uniquely identifies the record.
NAME	VARCHAR2	Manufacturer Part Reliability Rate Name
ROW_ID	NUMBER	Reserved. In future releases, this will store Surrogate key to uniquely identify a record.

***MFR\_PART\_SUPPLIER\_B***

Manufacturer Part Supplier Bridge table. Maintains data between Manufacturer Part fact and Supplier Dimension to resolve many to many relationships. Out of the box, this table is not populated with Agile PLM data. The table is populated when the Agile PLM Multilist type attribute is mapped to the corresponding column in the fact table using BI Configurator.

Column	Type	Comments
DATASOURCE_NUM_ID	NUMBER	Reserved. This column, in future releases, will uniquely identify the source system from which data was extracted.
INTEGRATION_ID	VARCHAR2	Reserved. This column, in future releases, will be used to uniquely identify dimension or fact entity in its source system.
MFR_PART_ID	NUMBER	Manufacturer part ID.
ROW_ID	NUMBER	Reserved. In future releases, this will store Surrogate key to uniquely identify a record.
SUPPLIER_ID	NUMBER	Supplier ID. Foreign key to SUPPLIER_D.

**MFR\_PART\_TYPE\_D**

Manufacturer Part Types Dimension Table. This table is conforming across the fact tables in Manufacturer Part Subject Area. Out of the box, this table is mapped to List data from Types attribute of the Manufacturer Parts class.

Column	Type	Comments
DATASOURCE_NUM_ID	NUMBER	Reserved. This column, in future releases, will uniquely identify the source system from which data was extracted.
ENABLE	NUMBER	This flag indicates whether the Member is deleted or not enabled. 1 for yes and 0 for no. [Agile PLM] This field is derived and cannot be mapped to another Agile PLM attribute.
INTEGRATION_ID	VARCHAR2	Reserved. This column, in future releases, will be used to uniquely identify dimension or fact entity in its source system.
LAST_MODIFIED_DATE	DATE	Last modified date. [Agile PLM] This field is derived and cannot be mapped to another Agile PLM attribute.
LIST_ID	NUMBER	List ID associated with attribute.
MFR_PART_TYPE_ID	NUMBER	Manufacturer part type. Primary key that uniquely identifies the record.
NAME	VARCHAR2	Manufacturer Part Type Name
ROW_ID	NUMBER	Reserved. In future releases, this will store Surrogate key to uniquely identify a record.

**MFR\_QMS\_STANDARD\_B**

Manufacturer QMS Standards Bridge Table. Maintains data between MFR\_QMS\_STANDARD\_D table and Manufacturer Part fact to resolve many to many relationships. Out of the box, this table is not populated with Agile PLM data. The table is populated when the Agile PLM Multilist type attribute is mapped to the corresponding column in the fact table using BI Configurator.

Column	Type	Comments
DATASOURCE_NUM_ID	NUMBER	Reserved. This column, in future releases, will uniquely identify the source system from which data was extracted.
INTEGRATION_ID	VARCHAR2	Reserved. This column, in future releases, will be used to uniquely identify dimension or fact entity in its source system.
MANUFACTURER_ID	NUMBER	MANUFACTURERS.ID.
MFR_QMS_STANDARD_ID	NUMBER	Manufacturer QMS Standard ID.
ROW_ID	NUMBER	Reserved. In future releases, this will store Surrogate key to uniquely identify a record.

**MFR\_QMS\_STANDARD\_D**

Manufacturer QMS Standards Dimension Table. This table is conforming across the fact tables in Manufacturer Part Subject Area. Out of the box, this table is not populated with Agile PLM data. The table is populated only when the Agile PLM attributes are mapped using BI Configurator.

Column	Type	Comments
DATASOURCE_NUM_ID	NUMBER	Reserved. This column, in future releases, will uniquely identify the source system from which data was extracted.
ENABLE	NUMBER	This flag indicates whether the Member is deleted or not enabled. 1 for yes and 0 for no. [Agile PLM] This field is derived and cannot be mapped to another Agile PLM attribute.
INTEGRATION_ID	VARCHAR2	Reserved. This column, in future releases, will be used to uniquely identify dimension or fact entity in its source system.
LAST_MODIFIED_DATE	DATE	Last Modified Date. [Agile PLM] This field is derived and cannot be mapped to another Agile PLM attribute.
LIST_ID	NUMBER	List ID associated with attribute.
MFR_QMS_STANDARD_ID	NUMBER	Manufacturer QMS Standard ID. Primary key that uniquely identifies the record.
NAME	VARCHAR2	Manufacturer QMS Standard Name
ROW_ID	NUMBER	Reserved. In future releases, this will store Surrogate key to uniquely identify a record.

***MFR\_REGION\_B***

Manufacturer Region Bridge Table. Maintains data between MFR\_REGION\_D table and Mfr Part fact to resolve many to many relationships. Out of the box, this table is not populated with Agile PLM data. The table is populated when the Agile PLM Multilist type attribute is mapped to the corresponding column in the fact table using BI Configurator.

Column	Type	Comments
DATASOURCE_NUM_ID	NUMBER	Reserved. This column, in future releases, will uniquely identify the source system from which data was extracted.
INTEGRATION_ID	VARCHAR2	Reserved. This column, in future releases, will be used to uniquely identify dimension or fact entity in its source system.
MANUFACTURER_ID	NUMBER	MANUFACTURERS.ID.
MFR_REGION_ID	NUMBER	Manufacturer Region ID.
ROW_ID	NUMBER	Reserved. In future releases, this will store Surrogate key to uniquely identify a record.

***MFR\_REGION\_D***

Manufacturer Region Dimension Table. This table is conforming across the fact tables in Manufacturer Part Subject Area. Out of the box, this table is not populated with Agile PLM data. The table is populated only when the Agile PLM attributes are mapped using BI Configurator.

Column	Type	Comments
DATASOURCE_NUM_ID	NUMBER	Reserved. This column, in future releases, will uniquely identify the source system from which data was extracted.
ENABLE	NUMBER	This flag indicates whether the Member is deleted or not enabled. 1 for yes and 0 for no. [Agile PLM] This field is derived and cannot be mapped to another Agile PLM attribute.
INTEGRATION_ID	VARCHAR2	Reserved. This column, in future releases, will be used to uniquely identify dimension or fact entity in its source system.
LAST_MODIFIED_DATE	DATE	Last Modified Date. [Agile PLM] This field is derived and cannot be mapped to another Agile PLM attribute.
LIST_ID	NUMBER	List ID associated with attribute.
MFR_REGION_ID	NUMBER	Manufacturer Region ID. Primary key that uniquely identifies the record.
NAME	VARCHAR2	Manufacturer Region Name
ROW_ID	NUMBER	Reserved. In future releases, this will store Surrogate key to uniquely identify a record.

**MFR\_SIZE\_D**

Manufacturer Size Dimension Table. This table is conforming across the fact tables in Manufacturer Part Subject Area. Out of the box, this table is not populated with Agile PLM data. The table is populated only when the Agile PLM attributes are mapped using BI Configurator.

Column	Type	Comments
DATASOURCE_NUM_ID	NUMBER	Reserved. This column, in future releases, will uniquely identify the source system from which data was extracted.
ENABLE	NUMBER	This flag indicates whether the Member is deleted or not enabled. 1 for yes and 0 for no. [Agile PLM] This field is derived and cannot be mapped to another Agile PLM attribute.
INTEGRATION_ID	VARCHAR2	Reserved. This column, in future releases, will be used to uniquely identify dimension or fact entity in its source system.
LAST_MODIFIED_DATE	DATE	Last Modified Date. [Agile PLM] This field is derived and cannot be mapped to another Agile PLM attribute.
LIST_ID	NUMBER	List ID associated with attribute.
MFR_SIZE_ID	NUMBER	Manufacturer Size ID. Primary key that uniquely identifies the record.
NAME	VARCHAR2	Manufacturer Size Name
ROW_ID	NUMBER	Reserved. In future releases, this will store Surrogate key to uniquely identify a record.

**MFR\_STATE\_D**

Manufacturer States Dimension Table. This table is conforming across the fact tables in Manufacturer Part Subject Area. Out of the box, this table is mapped to List data from Manufacturer States attribute of Manufacturer class of Agile PLM.

Column	Type	Comments
DATASOURCE_NUM_ID	NUMBER	Reserved. This column, in future releases, will uniquely identify the source system from which data was extracted.
ENABLE	NUMBER	This flag indicates whether the Member is deleted or not enabled. 1 for yes and 0 for no. [Agile PLM] This field is derived and cannot be mapped to another Agile PLM attribute.
INTEGRATION_ID	VARCHAR2	Reserved. This column, in future releases, will be used to uniquely identify dimension or fact entity in its source system.
LAST_MODIFIED_DATE	DATE	Last modified date. [Agile PLM] This field is derived and cannot be mapped to another Agile PLM attribute.
LIST_ID	NUMBER	List ID associated with attribute.
MFR_STATE_ID	NUMBER	Manufacturer state. Primary key that uniquely identifies the record.
NAME	VARCHAR2	Manufacturer State Name
ROW_ID	NUMBER	Reserved. In future releases, this will store Surrogate key to uniquely identify a record.

**MFR\_TYPE\_D**

Manufacturer Types Dimension Table. This table is conforming across the fact tables in Manufacturer Part Subject Area. Out of the box, this table is mapped to List data from Manufacturer Types attribute of the Manufacturers class of Agile PLM.

Column	Type	Comments
DATASOURCE_NUM_ID	NUMBER	Reserved. This column, in future releases, will uniquely identify the source system from which data was extracted.
ENABLE	NUMBER	This flag indicates whether the Member is deleted or not enabled. 1 for yes and 0 for no. [Agile PLM] This field is derived and cannot be mapped to another Agile PLM attribute.
INTEGRATION_ID	VARCHAR2	Reserved. This column, in future releases, will be used to uniquely identify dimension or fact entity in its source system.
LAST_MODIFIED_DATE	DATE	Last modified date. [Agile PLM] This field is derived and cannot be mapped to another Agile PLM attribute.
LIST_ID	NUMBER	List ID associated with attribute.
MFR_TYPE_ID	NUMBER	Manufacturer type. Primary key that uniquely identifies the record.
NAME	VARCHAR2	Manufacturer Type Name
ROW_ID	NUMBER	Reserved. In future releases, this will store Surrogate key to uniquely identify a record.

**PC\_CUSTOMER\_D**

Stores the customer data for the activities.

Column	Type	Comments
CUSTOMER_ID	NUMBER	Customer ID
DATASOURCE_NUM_ID	NUMBER	Datasource number ID
ENABLE	NUMBER	Enable
INTEGRATION_ID	VARCHAR2	Integration ID
LAST_MODIFIED_DATE	DATE	Last modified date
LIST_ID	NUMBER	List ID
NAME	VARCHAR2	Name
ROW_WID	NUMBER	Row ID

**PC\_ECO\_CATEGORY\_D**

ECO Category Dimension Table. This table is conforming across the fact tables in ECO Subject Area. Out of the box, this table is mapped to the List configured to Category attribute of ECO Class of Agile PLM.

Column	Type	Comments
DATASOURCE_NUM_ID	NUMBER	Reserved. This column, in future releases, will uniquely identify the source system from which data was extracted.
ENABLE	NUMBER	This flag indicates whether the Member is deleted or not enabled. 1 for yes and 0 for no. [Agile PLM] This field is derived and cannot be mapped to another Agile PLM attribute.
INTEGRATION_ID	VARCHAR2	Reserved. This column, in future releases, will be used to uniquely identify dimension or fact entity in its source system.
LAST_MODIFIED_DATE	DATE	Last modified date. [Agile PLM] This field is derived and cannot be mapped to another Agile PLM attribute.
LIST_ID	NUMBER	List ID associated with attribute.
NAME	VARCHAR2	Change Order Category Name
PC_ECO_CATEGORY_ID	NUMBER	Change category. Primary key that uniquely identifies the record.
ROW_ID	NUMBER	Reserved. In future releases, this will store Surrogate key to uniquely identify a record.

**PC\_ECO\_CUSTOMER\_B**

ECO Customer Bridge Table. Maintains data between ECO fact and Customer dimension to resolve many to many relationships. Out of the box, this table is not populated with Agile PLM data. The table is populated when the Agile PLM Multilist type attribute is mapped to the corresponding column in the fact table using BI Configurator.

Column	Type	Comments
CUSTOMER_ID	NUMBER	Customer ID. Foreign key to CUSTOMER_D.
DATASOURCE_NUM_ID	NUMBER	Reserved. This column, in future releases, will uniquely identify the source system from which data was extracted.
INTEGRATION_ID	VARCHAR2	Reserved. This column, in future releases, will be used to uniquely identify dimension or fact entity in its source system.
PC_ECO_ID	NUMBER	Change ID.
ROW_ID	NUMBER	Reserved. In future releases, this will store Surrogate key to uniquely identify a record.

**PC\_ECO\_F**

ECO Fact Table. This is the core fact table for ECO which has Volume, Aging and Cycle time related measures.

Column	Type	Comments
AML_REDLINE_FLAG	NUMBER	This flag is set to "Yes" or "1", if any one of objects Affected items AML has been redlined. Which is available from Affected Item tab. [Agile PLM] This field is derived and cannot be mapped to another Agile PLM attribute.
BOM_REDLINE_FLAG	NUMBER	This flag is set to "Yes" or "1", if any one of objects Affected items BOM has been redlined. Which is available from Affected Item tab. [Agile PLM] This field is derived and cannot be mapped to another Agile PLM attribute.
CANCEL_FLAG	NUMBER	This flag indicates whether this object is cancelled. 1 for yes and 0 for no. [Agile PLM] This field is derived and cannot be mapped to another Agile PLM attribute.
CAPA_FLAG	NUMBER	This flag is set to "Yes" or "1", if the object is related to CAPA (where this CAPA can be affected by this object or the object is affected by CAPA). Which is available from relationship tab of the object. [Agile PLM] This field is derived and cannot be mapped to another Agile PLM attribute.
COMPLETE_FLAG	NUMBER	This flag indicates whether this object is complete. 1 for yes and 0 for no. [Agile PLM] This field is derived and cannot be mapped to another Agile PLM attribute.
CREATED_TIME_ID	NUMBER	Create time. [Agile PLM] This field maps to the "Date Originated" attribute in Change class. This column cannot be re-mapped to another Agile PLM attribute.
DATASOURCE_NUM_ID	NUMBER	Reserved. This column, in future releases, will uniquely identify the source system from which data was extracted.
DESCRIPTION	VARCHAR2	Description. [Agile PLM] This field maps to the "Description of Change" attribute in Change class. This column cannot be re-mapped to another Agile PLM attribute.
ENGG_IMPL_COST	NUMBER	Engg Implement Cost.
FIELD_REPAIR_COST	NUMBER	Field Repair Cost.
FINAL_COMPLETE_TIME_ID	NUMBER	Final complete date in Julian date format. [Agile PLM] This field maps to the "Final Complete Date" attribute in Change class. This column cannot be re-mapped to another Agile PLM attribute.
IMPL_MANUF_TIME_ID	NUMBER	Implement Manufacture Time ID.
IMPL_QUALITY_TIME_ID	NUMBER	Implement Quality Time ID.
IMPL_SC_TIME_ID	NUMBER	Implement SC Time ID.
INTEGRATION_ID	VARCHAR2	Reserved. This column, in future releases, will be used to uniquely identify dimension or fact entity in its source system.
INT_ORGANIZATION_ID	NUMBER	Internal organisation. Foreign key to INT_ORGANIZATION_D.INT_ORGANIZATION_ID. [Agile PLM] This field is derived and cannot be mapped to another Agile PLM attribute.
LAST_MODIFIED_DATE	DATE	Last modified date. Maps to the UPDATE_DATE attribute in ECO class. [Agile PLM] This field is derived and cannot be mapped to another Agile PLM attribute.
MFG_IMPL_COST	NUMBER	Mfg Implement Cost.
NEVER_RELEASED_ITEM_FLAG	NUMBER	This flag is set to "Yes" or "1", if any one of change object on item (ECO, MCO and SCO) are not released once. Which can be viewed to from Change tab of item. [Agile PLM] This field is derived and cannot be mapped to another Agile PLM attribute.

NO_OF_AML_ADDED	NUMBER	Number of approved manufacturers list (AML) added to item in this change. [Agile PLM] This field is derived and cannot be mapped to another Agile PLM attribute.
NO_OF_AML_DELETED	NUMBER	Number of approved manufacturers list (AML) deleted from item in this change. [Agile PLM] This field is derived and cannot be mapped to another Agile PLM attribute.
NO_OF_AML_MODIFIED	NUMBER	Number of approved manufacturers list (AML) modified for item in this change. [Agile PLM] This field is derived and cannot be mapped to another Agile PLM attribute.
NO_OF_BOM_ADDED	NUMBER	Number of BOM added. [Agile PLM] This field is derived and cannot be mapped to another Agile PLM attribute.
NO_OF_BOM_DELETED	NUMBER	Number of BOM deleted. [Agile PLM] This field is derived and cannot be mapped to another Agile PLM attribute.
NO_OF_BOM_MODIFIED	NUMBER	Number of BOM modified. [Agile PLM] This field is derived and cannot be mapped to another Agile PLM attribute.
NO_OF_ITEMS	NUMBER	Number of effected objects. [Agile PLM] This field is derived and cannot be mapped to another Agile PLM attribute.
NO_OF_REJECTIONS	NUMBER	Number of rejections. [Agile PLM] This field is derived and cannot be mapped to another Agile PLM attribute.
ORIGINATOR_USER_ID	NUMBER	Originator user. Foreign key to USER_D.USER_ID. [Agile PLM] This field maps to the "Originator" attribute in Change class. This column cannot be re-mapped to another Agile PLM attribute.
ORIG_CMPL_DAYS	NUMBER	Duration between Final complete date and Originated date excluding days spent in Hold state when Final complete date is not null and Duration between System date or ETL run date and Originated Date excluding days spent in Hold state when Final complete is null. [Agile PLM] This field is derived and cannot be mapped to another Agile PLM attribute.
ORIG_CMPL_HOLD_DURATION_DAYS	NUMBER	Duration between the final complete date and the originated date when the final date is not null. The duration between the system date or the ETL run date and the originated date when the final complete date is null. [Agile PLM] This field is derived and cannot be mapped to another Agile PLM attribute.
ORIG_RLSE_DAYS	NUMBER	Duration between Released date and Originated date when Released Date is not null and Duration between System date or ETL run date and Originated date when Released date is null excluding the days spent in Hold state. [Agile PLM] This field is derived and cannot be mapped to another Agile PLM attribute.
ORIG_RLSE_HOLD_DURATION_DAYS	NUMBER	Duration between the release date and the originated date when the final date is not null. The duration between the system date or the ETL run date and the originated date when the release date is null. [Agile PLM] This field is derived and cannot be mapped to another Agile PLM attribute.
OWNER_USER_ID	NUMBER	Owner user. Foreign key to USER_D.USER_ID. [Agile PLM] This field maps to the "Change Analyst" attribute in Change class. This column cannot be re-mapped to another Agile PLM attribute.
PC_ECO_CATEGORY_ID	NUMBER	Change category. Foreign key to PC_ECO_CATEGORY_D.PC_ECO_CATEGORY_ID. [Agile PLM] This field maps to the "Change Category" attribute in Change class. This column cannot be re-mapped to another Agile PLM attribute.
PC_ECO_ID	NUMBER	Change ID. [Agile PLM] This field maps to the ID attribute in ECO class.
PC_ECO_NO	VARCHAR2	Change number. [Agile PLM] This field maps to the "Rev Change Number" attribute in Change class. This column cannot be re-mapped to another Agile PLM attribute.

PC_ECO_PRIORITY_ID	NUMBER	Priority. Foreign key to PC_ECO_PRIORITY_D.PC_ECO_PRIORITY_ID. [Agile PLM] This field maps to the PRIORITY_ID attribute. This field cannot be mapped to another Agile PLM attribute.
PC_ECO_REASON_CODE_ID	NUMBER	Reason code. Foreign key to PC_ECO_REASON_CODE_D.PC_ECO_REASON_CODE_ID. [Agile PLM] This field maps to the "Reason Code" attribute in Change class. This column cannot be re-mapped to another Agile PLM attribute.
PC_ECO_REGTYPE_ID	NUMBER	PC ECO Regtype ID. Foreign key to PC_ECO_REGTYPE_D.PC_ECO_REGTYPE_ID. [Agile PLM] This field cannot be mapped to another Agile PLM attribute.
PC_ECO_SEVFINIMPACT_ID	NUMBER	PC ECO Sevfinimpact ID. Foreign key to PC_ECO_SEVFINIMPACT_D.PC_ECO_SEVFINIMPACT_ID. [Agile PLM] This field cannot be mapped to another Agile PLM attribute.
PC_ECO_TYPE_ID	NUMBER	Change type. Foreign key to PC_ECO_TYPE_D.PC_ECO_TYPE_ID. [Agile PLM] This field maps to the "Change Type" attribute in Change class. This column cannot be re-mapped to another Agile PLM attribute.
PC_ECO_WORKFLOW_ID	NUMBER	Workflow. [Agile PLM] This field is derived and cannot be mapped to another Agile PLM attribute.
PC_LOCATION_ID	NUMBER	Location. Foreign key to PC_LOCATION_D.PC_LOCATION_ID. [Agile PLM] This field cannot be mapped to another Agile PLM attribute.
PROGRAM_FLAG	NUMBER	This flag is set to "Yes" or "1", if the object is related to Program (where this Program can be affected by this object or the object is affected by Program). Which is available from relationship tab of the object. [Agile PLM] This field is derived and cannot be mapped to another Agile PLM attribute.
REASON	VARCHAR2	Reason. [Agile PLM] This field maps to the "Reason For Change" attribute in Change class. This column cannot be re-mapped to another Agile PLM attribute.
REJECT_FLAG	NUMBER	This flag is set to "Yes" or "1" if any one of the approver on workflow states (review states) rejects when sent for approval. Which is available in workflow tab of object. [Agile PLM] This field is derived and cannot be mapped to another Agile PLM attribute.
RELEASED_FLAG	NUMBER	This flag is set to "Yes" or "1", if the object workflow is in Released state. Which is available from workflow tab of object. [Agile PLM] This field is derived and cannot be mapped to another Agile PLM attribute.
RELEASED_TIME_ID	NUMBER	Release date in Julian date format. [Agile PLM] This field maps to the "Date Released" attribute in Change class. This column cannot be re-mapped to another Agile PLM attribute.
REQUIRED_TIME_ID	NUMBER	Required Time ID.
RLSE_CMPL_DAYS	NUMBER	Number of days object is release compliant. [Agile PLM] This field is derived and cannot be mapped to another Agile PLM attribute.
RLSE_CMPL_HOLD_DURATION_DAYS	NUMBER	Number of days object is on hold in release-compliant state. [Agile PLM] This field is derived and cannot be mapped to another Agile PLM attribute.
ROW_ID	NUMBER	Reserved. In future releases, this will store Surrogate key to uniquely identify a record.
SBMT_RLSE_DAYS	NUMBER	Duration between Released date and Submit date excluding the days spent in Hold state when Released date is not null and Duration between System date or ETL run date and Submit date excluding the days spent in Hold state when Released date is null. [Agile PLM] This field is derived and cannot be mapped to another Agile PLM attribute.
SBMT_RLSE_HOLD_DURATION_DAYS	NUMBER	Duration between Released date and Submit date when Released date is not null and Duration between System date or ETL run date and Submit date when Released date is null. [Agile PLM] This field is derived and cannot be mapped to another Agile PLM attribute.

SCHEDULE_IMPACT	NUMBER	Schedule Impact.
SOFT_DELETE_FLAG	NUMBER	This flag indicates whether this object is soft-deleted. 1 for yes and 0 for no. Maps to the DELETE_FLAG attribute in ECO class. [Agile PLM] This field is derived and cannot be mapped to another Agile PLM attribute.
SUBMIT_TIME_ID	NUMBER	Submit time. [Agile PLM] This field maps to the "Date Submitted" attribute in Change class. This column cannot be re-mapped to another Agile PLM attribute.
SUPP_CHANGE_COST	NUMBER	Supplier Change Cost.
URGENT_FLAG	NUMBER	This flag is set to "Yes" or "1", if we select "Urgent" check box while routing object workflow(review) state for Approval. [Agile PLM] This field is derived and cannot be mapped to another Agile PLM attribute.
VALID_FLAG	NUMBER	This flag indicates whether this object is valid. 1 for yes and 0 for no. [Agile PLM] This field is derived and cannot be mapped to another Agile PLM attribute.

**PC\_ECO\_FIELD\_D**

ECO Fields Dimension Table. This table is conforming across the fact tables in ECO Item Subject Area. Out of the box, this table is mapped to the List configured to Fields attribute of the ECO Class on the Affected Item tab of Agile PLM.

Column	Type	Comments
DATASOURCE_NUM_ID	NUMBER	Reserved. This column, in future releases, will uniquely identify the source system from which data was extracted.
ENABLE	NUMBER	This flag indicates whether the Member is deleted or not enabled. 1 for yes and 0 for no. [Agile PLM] This field is derived and cannot be mapped to another Agile PLM attribute.
INTEGRATION_ID	VARCHAR2	Reserved. This column, in future releases, will be used to uniquely identify dimension or fact entity in its source system.
LAST_MODIFIED_DATE	DATE	Last modified date. [Agile PLM] This field is derived and cannot be mapped to another Agile PLM attribute.
LIST_ID	NUMBER	List ID associated with attribute.
NAME	VARCHAR2	Change Order Field Name
PC_ECO_FIELD_ID	NUMBER	PC ECO Field. Primary key that uniquely identifies the record.
ROW_ID	NUMBER	Reserved. In future releases, this will store Surrogate key to uniquely identify a record.

**PC\_ECO\_FINISHEDGOODS\_D**

ECO Finished Goods Dimension Table. This table is conforming across the fact tables in ECO Item Subject Area. Out of the box, this table is mapped to the List configured to Finished Goods attribute of the ECO Class on the Affected Item tab of Agile PLM.

Column	Type	Comments
DATASOURCE_NUM_ID	NUMBER	Reserved. This column, in future releases, will uniquely identify the source system from which data was extracted.
ENABLE	NUMBER	This flag indicates whether the Member is deleted or not enabled. 1 for yes and 0 for no. [Agile PLM] This field is derived and cannot be mapped to another Agile PLM attribute.
INTEGRATION_ID	VARCHAR2	Reserved. This column, in future releases, will be used to uniquely identify dimension or fact entity in its source system.
LAST_MODIFIED_DATE	DATE	Last modified date. [Agile PLM] This field is derived and cannot be mapped to another Agile PLM attribute.
LIST_ID	NUMBER	List ID associated with attribute.
NAME	VARCHAR2	Change Order Finished Goods Name
PC_ECO_FINISHEDGOODS_ID	NUMBER	PC ECO Finishedgoods. Primary key that uniquely identifies the record.
ROW_ID	NUMBER	Reserved. In future releases, this will store Surrogate key to uniquely identify a record.

**PC\_ECO\_FUNCTION\_D**

ECO Functions Dimension Table. This table is conforming across the fact tables in ECO Item Subject Area. Out of the box, this table is mapped to the List configured to Functions attribute of the ECO Class on the Affected Item tab of Agile PLM.

Column	Type	Comments
DATASOURCE_NUM_ID	NUMBER	Reserved. This column, in future releases, will uniquely identify the source system from which data was extracted.
ENABLE	NUMBER	This flag indicates whether the Member is deleted or not enabled. 1 for yes and 0 for no. [Agile PLM] This field is derived and cannot be mapped to another Agile PLM attribute.
INTEGRATION_ID	VARCHAR2	Reserved. This column, in future releases, will be used to uniquely identify dimension or fact entity in its source system.
LAST_MODIFIED_DATE	DATE	Last modified date. [Agile PLM] This field is derived and cannot be mapped to another Agile PLM attribute.
LIST_ID	NUMBER	List ID associated with attribute.
NAME	VARCHAR2	Change Order Function Name
PC_ECO_FUNCTION_ID	NUMBER	PC ECO Function. Primary key that uniquely identifies the record.
ROW_ID	NUMBER	Reserved. In future releases, this will store Surrogate key to uniquely identify a record.

**PC\_ECO\_ITEM\_DATA**

ECO Item Data Table. This Temporary table, reserved for ETL process, is used for configuring Agile PLM flex attributes between Item and Change Orders (ECO) relationship.

Column	Type	Comments
AI_AML_ADDED	NUMBER	Number of approved manufacturers list (AML) added to item in this change. [Agile PLM] This field is derived and cannot be mapped to another Agile PLM attribute.
AI_AML_DELETED	NUMBER	Number of approved manufacturers list (AML) deleted from item in this change. [Agile PLM] This field is derived and cannot be mapped to another Agile PLM attribute.
AI_AML_MODIFIED	NUMBER	Number of approved manufacturers list (AML) modified for item in this change. [Agile PLM] This field is derived and cannot be mapped to another Agile PLM attribute.
AI_BOM_ADDED	NUMBER	
AI_BOM_DELETED	NUMBER	
AI_BOM_MODIFIED	NUMBER	
CANCEL_FLAG	NUMBER	This flag indicates whether this object is cancelled. 1 for yes and 0 for no. [Agile PLM] This field maps to the "Cancelled" attribute in Change class in Affected Item tab. This field cannot be re-mapped to another Agile PLM attribute.
COMPLIANCY_CALC_DATE_ID	NUMBER	Compliance Calculation Date in Julian Date format. [Agile PLM] This field maps to the "Compliance Calculation Date" attribute in Change class in Affected Item tab. This field cannot be re-mapped to another Agile PLM attribute.
COMPLIANCY_FLAG	NUMBER	This flag indicates whether the object has compliance. 1 for yes and 0 for no. [Agile PLM] This field maps to the "Compliance" attribute in Change class in Affected Item tab. This field cannot be re-mapped to another Agile PLM attribute.
COST_IMPACT_FG	NUMBER	Cost Impact FG. [Agile PLM] This field maps to the "Cost Impact Fg" attribute in Change class in Affected Item tab. This field cannot be re-mapped to another Agile PLM attribute.
COST_IMPACT_FIELD	NUMBER	Cost Impact Field. [Agile PLM] This field maps to the "Cost Impact Field" attribute in Change class in Affected Item tab. This field cannot be re-mapped to another Agile PLM attribute.
COST_IMPACT_ONDEMAND	NUMBER	Cost Impact On Demand. [Agile PLM] This field maps to the "Cost Impact On Demand" attribute in Change class in Affected Item tab. This field cannot be re-mapped to another Agile PLM attribute.
COST_IMPACT_STOCK	NUMBER	Cost Impact Stock. [Agile PLM] This field maps to the "Cost Impact Stock" attribute in Change class in Affected Item tab. This field cannot be re-mapped to another Agile PLM attribute.
COST_IMPACT_WIP	NUMBER	Cost Impact Work In Progress. [Agile PLM] This field maps to the "Cost Impact Work In Progress" attribute in Change class in Affected Item tab. This field cannot be re-mapped to another Agile PLM attribute.
DATASOURCE_NUM_ID	NUMBER	Reserved. This column, in future releases, will uniquely identify the source system from which data was extracted.
DESCRIPTION	VARCHAR2	Description. [Agile PLM] This field maps to the "Description" attribute in Change class in Affected Item tab. This field cannot be re-mapped to another Agile PLM attribute.
INCORP_DATE_ID	NUMBER	Incorporated Date in Julian Date format. [Agile PLM] This field maps to the "Incorporated Date" attribute in Change class in Affected Item tab. This field cannot be re-mapped to another Agile PLM attribute.

INTEGRATION_ID	VARCHAR2	Reserved. This column, in future releases, will be used to uniquely identify dimension or fact entity in its source system.
ITEM_ID	NUMBER	Item ID.
ITEM_TLA_ID	NUMBER	Item TLA. Foreign key to FLAG_D.FLAG_ID. [Agile PLM] This field maps to the IS_TLA_ID attribute in ITEM class in Affected Item tab. This field cannot be re-mapped to another Agile PLM attribute.
LAST_MODIFIED_DATE	DATE	Last modified date. [Agile PLM] This field maps to the "Last Modified Date" attribute in Change class in Affected Item tab. This field cannot be re-mapped to another Agile PLM attribute.
LATEST_FLAG	NUMBER	This flag indicates whether the object is the latest version. [Agile PLM] This field maps to the "Latest Flag" attribute in Change class in Affected Item tab. This field cannot be re-mapped to another Agile PLM attribute.
NEW_EFFECTIVE_DATE_ID	NUMBER	New Effective Date in Julian Date format. [Agile PLM] This field maps to the "New Effective Date" attribute in Change class in Affected Item tab. This field cannot be re-mapped to another Agile PLM attribute.
NORMALIZED_WEIGHT	NUMBER	Normalized Weight. [Agile PLM] This field maps to the "Normalized Weight" attribute in Change class in Affected Item tab. This field cannot be re-mapped to another Agile PLM attribute.
OBSELETE_DATE_ID	NUMBER	Obselete Date in Julian Date format. [Agile PLM] This field maps to the "Obselete Date" attribute in Change class in Affected Item tab. This field cannot be re-mapped to another Agile PLM attribute.
OLD_DESCRIPTION	VARCHAR2	Old Description. [Agile PLM] This field maps to the "Old Description" attribute in Change class in Affected Item tab. This field cannot be re-mapped to another Agile PLM attribute.
OLD_EFFECTIVE_DATE_ID	NUMBER	Old Effective Date in Julian Date format. [Agile PLM] This field maps to the "Old Effective Date" attribute in Change class in Affected Item tab. This field cannot be re-mapped to another Agile PLM attribute.
OLD_REV_ID	NUMBER	Old Rev. [Agile PLM] This field maps to the "Old Rev" attribute in Change class in Affected Item tab. This field cannot be re-mapped to another Agile PLM attribute.
PC_ECO_FIELD_ID	NUMBER	PC ECO Field. [Agile PLM] This field maps to the "Field" attribute in Change class in Affected Item tab. This field cannot be re-mapped to another Agile PLM attribute.
PC_ECO_FINISHGOODS_ID	NUMBER	PC ECO Finished Goods. [Agile PLM] This field maps to the "Finished Goods" attribute in Change class in Affected Item tab. This field cannot be re-mapped to another Agile PLM attribute.
PC_ECO_FUNCTION_ID	NUMBER	PC ECO Function. [Agile PLM] This field maps to the "Function" attribute in Change class in Affected Item tab. This field cannot be re-mapped to another Agile PLM attribute.
PC_ECO_ID	NUMBER	Change ID. [Agile PLM] This field maps to the "ID" attribute in Change class in Affected Item tab. This field cannot be re-mapped to another Agile PLM attribute.
PC_ECO_NEW_LIFECYCLE_ID	NUMBER	PC ECO New Lifecycle. [Agile PLM] This field maps to the "New Lifecycle" attribute in Change class in Affected Item tab. This field cannot be re-mapped to another Agile PLM attribute.
PC_ECO_OLD_LIFECYCLE_ID	NUMBER	PC ECO Old Lifecycle. [Agile PLM] This field maps to the "Old Lifecycle" attribute in Change class in Affected Item tab. This field cannot be re-mapped to another Agile PLM attribute.
PC_ECO_ONORDER_ID	NUMBER	PC ECO On Order. [Agile PLM] This field maps to the "On Order" attribute in Change class in Affected Item tab. This field cannot be re-mapped to another Agile PLM attribute.
PC_ECO_STOCK_ID	NUMBER	PC ECO Stock. [Agile PLM] This field maps to the "Stock" attribute in Change class in Affected Item tab. This field cannot be re-mapped to another Agile PLM attribute.

PC_ECO_WIP_ID	NUMBER	PC ECO Work In Progress. [Agile PLM] This field maps to the "Work In Progress" attribute in Change class in Affected Item tab. This field cannot be re-mapped to another Agile PLM attribute.
REV_ID	NUMBER	Revision this object is associated with. [Agile PLM] This field maps to the "Rev" attribute in Change class in Affected Item tab. This field cannot be re-mapped to another Agile PLM attribute.
REV_INCORPORATED_FLAG	NUMBER	This flag indicates whether the object is in an incorporated revision. [Agile PLM] This field maps to the "Rev Incorporated Flag" attribute in Change class in Affected Item tab. This field cannot be re-mapped to another Agile PLM attribute.
REV_RELEASED_FLAG	NUMBER	This flag is set to "Yes" or "1", if the object workflow is in Released state. [Agile PLM] This field maps to the "Rev Released Flag" attribute in Change class in Affected Item tab. This field cannot be re-mapped to another Agile PLM attribute.
REV_RELEASE_DATE_ID	NUMBER	Rev Release Date in Julian Date format. [Agile PLM] This field maps to the "Rev Release Date" attribute in Change class in Affected Item tab. This field cannot be re-mapped to another Agile PLM attribute.
ROW_ID	NUMBER	Reserved. In future releases, this will store Surrogate key to uniquely identify a record.
SITE_ID	NUMBER	Site. [Agile PLM] This field maps to the "Site" attribute in Change class in Affected Item tab. This field cannot be re-mapped to another Agile PLM attribute.
TOTAL_COST	NUMBER	Total Cost. [Agile PLM] This field maps to the "Total Cost" attribute in Change class in Affected Item tab. This field cannot be re-mapped to another Agile PLM attribute.
VALID_FLAG	NUMBER	This flag indicates whether this object is valid. [Agile PLM] This field maps to the "Valid Flag" attribute in Change class in Affected Item tab. This field cannot be re-mapped to another Agile PLM attribute.
WEIGHT	NUMBER	Weight. [Agile PLM] This field maps to the "Weight" attribute in Change class in Affected Item tab. This field cannot be re-mapped to another Agile PLM attribute.
WEIGHT_UOM	NUMBER	Weight Unit of Measure. [Agile PLM] This field maps to the "Weight UOM" attribute in Change class in Affected Item tab. This field cannot be re-mapped to another Agile PLM attribute.

**PC\_ECO\_ITEM\_PRODUCTLINE\_B**

ECO Item Productline Bridge Table. Maintains data between ECO fact and Item Productline dimension to resolve many to many relationships. Out of the box, this table is not populated with Agile PLM data. The table is populated when the Agile PLM Multilist type attribute is mapped to the corresponding column in the fact table using BI Configurator.

Column	Type	Comments
DATASOURCE_NUM_ID	NUMBER	Reserved. This column, in future releases, will uniquely identify the source system from which data was extracted.
INTEGRATION_ID	VARCHAR2	Reserved. This column, in future releases, will be used to uniquely identify dimension or fact entity in its source system.
ITEM_ID	NUMBER	Foreign key to ITEM_D, serves as the primary key (with PQM_AUDIT_ID).
ITEM_PRODUCTLINE_ID	NUMBER	Item Productline ID. Foreign key to ITEM_PRODUCTLINE_D.
ROW_ID	NUMBER	Reserved. In future releases, this will store Surrogate key to uniquely identify a record.

**PC\_ECO\_MANUF\_OWNER\_B**

ECO Manufacturer Owner Bridge Table. Maintains data between ECO fact and Manufacturer Owner dimension to resolve many to many relationships. Out of the box, this table is not populated with Agile PLM data. The table is populated when the Agile PLM Multilist type attribute is mapped to the corresponding column in the fact table using BI Configurator.

Column	Type	Comments
DATASOURCE_NUM_ID	NUMBER	Reserved. This column, in future releases, will uniquely identify the source system from which data was extracted.
INTEGRATION_ID	VARCHAR2	Reserved. This column, in future releases, will be used to uniquely identify dimension or fact entity in its source system.
PC_ECO_ID	NUMBER	Change ID.
ROW_ID	NUMBER	Reserved. In future releases, this will store Surrogate key to uniquely identify a record.
USER_ID	NUMBER	User.

**PC\_ECO\_MFRLOCIMPACT\_B**

ECO Manufacturing Location Impact Bridge Table. Maintains data between ECO fact and Manufacturer Location Impact dimension Impact to resolve many to many relationships. Out of the box, this table is not populated with Agile PLM data. The table is populated when the Agile PLM Multilist type attribute is mapped to the corresponding column in the fact table using BI Configurator.

Column	Type	Comments
DATASOURCE_NUM_ID	NUMBER	Reserved. This column, in future releases, will uniquely identify the source system from which data was extracted.
INTEGRATION_ID	VARCHAR2	Reserved. This column, in future releases, will be used to uniquely identify dimension or fact entity in its source system.
PC_ECO_ID	NUMBER	Change ID.
PC_ECO_MFRLOCIMPACT_ID	NUMBER	PC ECO Manufacturer Location Impact ID.
ROW_ID	NUMBER	Reserved. In future releases, this will store Surrogate key to uniquely identify a record.

**PC\_ECO\_MFRLOCIMPACT\_D**

ECO Manufacturing locations impacted Dimension Table. This table is conforming across the fact tables in ECO Subject Area. Out of the box, this table is not populated with Agile PLM data. The table is populated only when the Agile PLM attributes are mapped using BI Configurator.

Column	Type	Comments
DATASOURCE_NUM_ID	NUMBER	Reserved. This column, in future releases, will uniquely identify the source system from which data was extracted.
ENABLE	NUMBER	This flag indicates whether the Member is deleted or not enabled. 1 for yes and 0 for no. [Agile PLM] This field is derived and cannot be mapped to another Agile PLM attribute.
INTEGRATION_ID	VARCHAR2	Reserved. This column, in future releases, will be used to uniquely identify dimension or fact entity in its source system.
LAST_MODIFIED_DATE	DATE	Last Modified Date. [Agile PLM] This field is derived and cannot be mapped to another Agile PLM attribute.
LIST_ID	NUMBER	List ID associated with attribute.
NAME	VARCHAR2	Change Order Manufacturing Location Impact Name
PC_ECO_MFRLOCIMPACT_ID	NUMBER	PC ECO Manufacturer Location Impact ID. Primary key that uniquely identifies the record.
ROW_ID	NUMBER	Reserved. In future releases, this will store Surrogate key to uniquely identify a record.

***PC\_ECO\_ONORDER\_D***

ECO On Orders Dimension Table. This table is conforming across the fact tables in ECO Item Subject Area. Out of the box, this table is mapped to the List configured to On Orders attribute of the ECO Class on the Affected Item tab of Agile PLM.

Column	Type	Comments
DATASOURCE_NUM_ID	NUMBER	Reserved. This column, in future releases, will uniquely identify the source system from which data was extracted.
ENABLE	NUMBER	This flag indicates whether the Member is deleted or not enabled. 1 for yes and 0 for no. [Agile PLM] This field is derived and cannot be mapped to another Agile PLM attribute.
INTEGRATION_ID	VARCHAR2	Reserved. This column, in future releases, will be used to uniquely identify dimension or fact entity in its source system.
LAST_MODIFIED_DATE	DATE	Last modified date. [Agile PLM] This field is derived and cannot be mapped to another Agile PLM attribute.
LIST_ID	NUMBER	List ID associated with attribute.
NAME	VARCHAR2	Change Order Onorder name
PC_ECO_ONORDER_ID	NUMBER	PC ECO Onorder. Primary key that uniquely identifies the record.
ROW_ID	NUMBER	Reserved. In future releases, this will store Surrogate key to uniquely identify a record.

**PC\_ECO\_PRGTASK\_B**

ECO Bridge Table. Maintains data between ECO fact and Program Task dimension to resolve many to many relationships. Out of the box, this table is not populated with Agile PLM data. The table is populated when the Agile PLM Multilist type attribute is mapped to the corresponding column in the fact table using BI Configurator.

Column	Type	Comments
DATASOURCE_NUM_ID	NUMBER	Reserved. This column, in future releases, will uniquely identify the source system from which data was extracted.
INTEGRATION_ID	VARCHAR2	Reserved. This column, in future releases, will be used to uniquely identify dimension or fact entity in its source system.
PC_ECO_ID	NUMBER	Change ID.
PC_ECO_PRGTASK_ID	NUMBER	PC ECO Program Task ID.
ROW_ID	NUMBER	Reserved. In future releases, this will store Surrogate key to uniquely identify a record.

**PC\_ECO\_PRGTASK\_D**

ECO Program Task Dimension Table. This table is conforming across the fact tables in ECO Subject Area. Out of the box, this table is not populated with Agile PLM data. The table is populated only when the Agile PLM attributes are mapped using BI Configurator.

Column	Type	Comments
DATASOURCE_NUM_ID	NUMBER	Reserved. This column, in future releases, will uniquely identify the source system from which data was extracted.
ENABLE	NUMBER	This flag indicates whether the Member is deleted or not enabled. 1 for yes and 0 for no. [Agile PLM] This field is derived and cannot be mapped to another Agile PLM attribute.
INTEGRATION_ID	VARCHAR2	Reserved. This column, in future releases, will be used to uniquely identify dimension or fact entity in its source system.
LAST_MODIFIED_DATE	DATE	Last Modified Date. [Agile PLM] This field is derived and cannot be mapped to another Agile PLM attribute.
LIST_ID	NUMBER	List ID associated with attribute.
NAME	VARCHAR2	Change Order Program Task Name
PC_ECO_PRGTASK_ID	NUMBER	PC ECO Program Task ID. Primary key that uniquely identifies the record.
ROW_ID	NUMBER	Reserved. In future releases, this will store Surrogate key to uniquely identify a record.

**PC\_ECO\_PRIORITY\_D**

ECO Priority Dimension Table. This table is conforming across the fact tables in ECO Subject Area. Out of the box, this table is not populated with Agile PLM data. The table is populated only when the Agile PLM attributes are mapped using BI Configurator.

Column	Type	Comments
DATASOURCE_NUM_ID	NUMBER	Reserved. This column, in future releases, will uniquely identify the source system from which data was extracted.
ENABLE	NUMBER	This flag indicates whether the Member is deleted or not enabled. 1 for yes and 0 for no. [Agile PLM] This field is derived and cannot be mapped to another Agile PLM attribute.
INTEGRATION_ID	VARCHAR2	Reserved. This column, in future releases, will be used to uniquely identify dimension or fact entity in its source system.
LAST_MODIFIED_DATE	DATE	Last modified date. [Agile PLM] This field is derived and cannot be mapped to another Agile PLM attribute.
LIST_ID	NUMBER	List ID associated with attribute.
NAME	VARCHAR2	Change Order Priority Name
PC_ECO_PRIORITY_ID	NUMBER	Priority. Primary key that uniquely identifies the record.
ROW_ID	NUMBER	Reserved. In future releases, this will store Surrogate key to uniquely identify a record.

**PC\_ECO\_PRODUCTLINE\_B**

ECO Productline Bridge Table. Maintains data between ECO fact and Productline dimension to resolve many to many relationships. Out of the box, this table is not populated with Agile PLM data. The table is populated when the Agile PLM Multilist type attribute is mapped to the corresponding column in the fact table using BI Configurator.

Column	Type	Comments
DATASOURCE_NUM_ID	NUMBER	Reserved. This column, in future releases, will uniquely identify the source system from which data was extracted.
INTEGRATION_ID	VARCHAR2	Reserved. This column, in future releases, will be used to uniquely identify dimension or fact entity in its source system.
PC_ECO_ID	NUMBER	Change ID.
PC_PRODUCTLINE_ID	NUMBER	PC Productline ID.
ROW_ID	NUMBER	Reserved. In future releases, this will store Surrogate key to uniquely identify a record.

***PC\_ECO\_PROGRAM\_B***

ECO Program Bridge Table. Maintains data between ECO fact and Program dimension to resolve many to many relationships. Out of the box, this table is not populated with Agile PLM data. The table is populated when the Agile PLM Multilist type attribute is mapped to the corresponding column in the fact table using BI Configurator.

<b>Column</b>	<b>Type</b>	<b>Comments</b>
DATASOURCE_NUM_ID	NUMBER	Reserved. This column, in future releases, will uniquely identify the source system from which data was extracted.
INTEGRATION_ID	VARCHAR2	Reserved. This column, in future releases, will be used to uniquely identify dimension or fact entity in its source system.
PC_ECO_ID	NUMBER	Change ID.
PC_ECO_PROGRAM_ID	NUMBER	PC ECO Program.
ROW_ID	NUMBER	Reserved. In future releases, this will store Surrogate key to uniquely identify a record.

**PC\_ECO\_PROGRAM\_D**

ECO Programs Dimension Table. This table is conforming across the fact tables in ECO Subject Area. Out of the box, this table is not populated with Agile PLM data. The table is populated only when the Agile PLM attributes are mapped using BI Configurator.

Column	Type	Comments
DATASOURCE_NUM_ID	NUMBER	Reserved. This column, in future releases, will uniquely identify the source system from which data was extracted.
ENABLE	NUMBER	This flag indicates whether the Member is deleted or not enabled. 1 for yes and 0 for no. [Agile PLM] This field is derived and cannot be mapped to another Agile PLM attribute.
INTEGRATION_ID	VARCHAR2	Reserved. This column, in future releases, will be used to uniquely identify dimension or fact entity in its source system.
LAST_MODIFIED_DATE	DATE	Last modified date. [Agile PLM] This field is derived and cannot be mapped to another Agile PLM attribute.
LIST_ID	NUMBER	List ID associated with attribute.
NAME	VARCHAR2	Change Order Program Name
PC_ECO_PROGRAM_ID	NUMBER	PC ECO Program. Primary key that uniquely identifies the record.
ROW_ID	NUMBER	Reserved. In future releases, this will store Surrogate key to uniquely identify a record.

***PC\_ECO\_QUALITY\_OWNER\_B***

ECO Quality Owner Bridge Table. Maintains data between ECO fact and Quality Owner dimension to resolve many to many relationships. Out of the box, this table is not populated with Agile PLM data. The table is populated when the Agile PLM Multilist type attribute is mapped to the corresponding column in the fact table using BI Configurator.

<b>Column</b>	<b>Type</b>	<b>Comments</b>
DATASOURCE_NUM_ID	NUMBER	Reserved. This column, in future releases, will uniquely identify the source system from which data was extracted.
INTEGRATION_ID	VARCHAR2	Reserved. This column, in future releases, will be used to uniquely identify dimension or fact entity in its source system.
PC_ECO_ID	NUMBER	Change ID.
ROW_ID	NUMBER	Reserved. In future releases, this will store Surrogate key to uniquely identify a record.
USER_ID	NUMBER	User.

**PC\_ECO\_REASON\_CODE\_D**

ECO Reason Codes Dimension Table. This table is conforming across the fact tables in ECO Subject Area. Out of the box, this table is mapped to the List configured to Reason Codes attribute of the ECO Class of Agile PLM.

Column	Type	Comments
DATASOURCE_NUM_ID	NUMBER	Reserved. This column, in future releases, will uniquely identify the source system from which data was extracted.
ENABLE	NUMBER	This flag indicates whether the Member is deleted or not enabled. 1 for yes and 0 for no. [Agile PLM] This field is derived and cannot be mapped to another Agile PLM attribute.
INTEGRATION_ID	VARCHAR2	Reserved. This column, in future releases, will be used to uniquely identify dimension or fact entity in its source system.
LAST_MODIFIED_DATE	DATE	Last modified date. [Agile PLM] This field is derived and cannot be mapped to another Agile PLM attribute.
LIST_ID	NUMBER	List ID associated with attribute.
NAME	VARCHAR2	Change Order Reason Code Name
PC_ECO_REASON_CODE_ID	NUMBER	Reason code. Primary key that uniquely identifies the record.
ROW_ID	NUMBER	Reserved. In future releases, this will store Surrogate key to uniquely identify a record.

**PC\_ECO\_REGTYPE\_D**

ECO Regulation Type Dimension Table. This table is conforming across the fact tables in ECO Subject Area. Out of the box, this table is not populated with Agile PLM data. The table is populated only when the Agile PLM attributes are mapped using BI Configurator.

Column	Type	Comments
DATASOURCE_NUM_ID	NUMBER	Reserved. This column, in future releases, will uniquely identify the source system from which data was extracted.
ENABLE	NUMBER	This flag indicates whether the Member is deleted or not enabled. 1 for yes and 0 for no. [Agile PLM] This field is derived and cannot be mapped to another Agile PLM attribute.
INTEGRATION_ID	VARCHAR2	Reserved. This column, in future releases, will be used to uniquely identify dimension or fact entity in its source system.
LAST_MODIFIED_DATE	DATE	Last Modified Date. [Agile PLM] This field is derived and cannot be mapped to another Agile PLM attribute.
LIST_ID	NUMBER	List ID associated with attribute.
NAME	VARCHAR2	Change Order Regulation Type Name
PC_ECO_REGTYPE_ID	NUMBER	PC ECO Regtype ID. Primary key that uniquely identifies the record.
ROW_ID	NUMBER	Reserved. In future releases, this will store Surrogate key to uniquely identify a record.

**PC\_ECO\_SALESREGIMPACT\_B**

ECO Sales Region Impact Bridge Table. Maintains data between ECO fact and Sales Region Impact dimension to resolve many to many relationships. Out of the box, this table is not populated with Agile PLM data. The table is populated when the Agile PLM Multilist type attribute is mapped to the corresponding column in the fact table using BI Configurator.

Column	Type	Comments
DATASOURCE_NUM_ID	NUMBER	Reserved. This column, in future releases, will uniquely identify the source system from which data was extracted.
INTEGRATION_ID	VARCHAR2	Reserved. This column, in future releases, will be used to uniquely identify dimension or fact entity in its source system.
PC_ECO_ID	NUMBER	Change ID.
PC_ECO_SALESREGIMPACT_ID	NUMBER	PC ECO Sales Region Impact ID.
ROW_ID	NUMBER	Reserved. In future releases, this will store Surrogate key to uniquely identify a record.

**PC\_ECO\_SALESREGIMPACT\_D**

ECO Sales Regions Impacted Dimension Table. This table is conforming across the fact tables in ECO Subject Area. Out of the box, this table is not populated with Agile PLM data. The table is populated only when the Agile PLM attributes are mapped using BI Configurator.

Column	Type	Comments
DATASOURCE_NUM_ID	NUMBER	Reserved. This column, in future releases, will uniquely identify the source system from which data was extracted.
ENABLE	NUMBER	This flag indicates whether the Member is deleted or not enabled. 1 for yes and 0 for no. [Agile PLM] This field is derived and cannot be mapped to another Agile PLM attribute.
INTEGRATION_ID	VARCHAR2	Reserved. This column, in future releases, will be used to uniquely identify dimension or fact entity in its source system.
LAST_MODIFIED_DATE	DATE	Last Modified Date. [Agile PLM] This field is derived and cannot be mapped to another Agile PLM attribute.
LIST_ID	NUMBER	List ID associated with attribute.
NAME	VARCHAR2	Change Order Sales Region Impact Name
PC_ECO_SALESREGIMPACT_ID	NUMBER	PC ECO Sales Region Impact ID. Primary key that uniquely identifies the record.
ROW_ID	NUMBER	Reserved. In future releases, this will store Surrogate key to uniquely identify a record.

**PC\_ECO\_SC\_OWNER\_B**

ECO SC Owner Bridge Table. Maintains data between ECO fact and SC Owner dimension to resolve many to many relationships. Out of the box, this table is not populated with Agile PLM data. The table is populated when the Agile PLM Multilist type attribute is mapped to the corresponding column in the fact table using BI Configurator.

Column	Type	Comments
DATASOURCE_NUM_ID	NUMBER	Reserved. This column, in future releases, will uniquely identify the source system from which data was extracted.
INTEGRATION_ID	VARCHAR2	Reserved. This column, in future releases, will be used to uniquely identify dimension or fact entity in its source system.
PC_ECO_ID	NUMBER	Change ID.
ROW_ID	NUMBER	Reserved. In future releases, this will store Surrogate key to uniquely identify a record.
USER_ID	NUMBER	User.

**PC\_ECO\_SEVFINIMPACT\_D**

ECO Severity of Financial Impact Dimension Table. This table is conforming across the fact tables in ECO Subject Area. Out of the box, this table is not populated with Agile PLM data. The table is populated only when the Agile PLM attributes are mapped using BI Configurator.

Column	Type	Comments
DATASOURCE_NUM_ID	NUMBER	Reserved. This column, in future releases, will uniquely identify the source system from which data was extracted.
ENABLE	NUMBER	This flag indicates whether the Member is deleted or not enabled. 1 for yes and 0 for no. [Agile PLM] This field is derived and cannot be mapped to another Agile PLM attribute.
INTEGRATION_ID	VARCHAR2	Reserved. This column, in future releases, will be used to uniquely identify dimension or fact entity in its source system.
LAST_MODIFIED_DATE	DATE	Last Modified Date. [Agile PLM] This field is derived and cannot be mapped to another Agile PLM attribute.
LIST_ID	NUMBER	List ID associated with attribute.
NAME	VARCHAR2	Change Order Severity of Financial Impact Name
PC_ECO_SEVFINIMPACT_ID	NUMBER	PC ECO Sevfinimpact ID. Primary key that uniquely identifies the record.
ROW_ID	NUMBER	Reserved. In future releases, this will store Surrogate key to uniquely identify a record.

**PC\_ECO\_SIGNOFF\_B**

ECO Signoff Bridge Table. Maintains data between ECO and Signoff to resolve many to many relationships. Out of the box, this table is not populated with Agile PLM data. The table is populated when the Agile PLM Multilist type attribute is mapped to the corresponding column in the fact table using BI Configurator.

Column	Type	Comments
PC_ECO_ID	NUMBER	Change ID.
SIGNOFF_USER_ID	NUMBER	Signoff User.
SIGNOFF_USER_TYPE_ID	NUMBER	Signoff User Type.

**PC\_ECO\_SIGNOFF\_DATA**

ECO Signoff Data Table. This Temporary table, reserved for ETL process, is used for processing Change Orders (ECO) signoff data.

Column	Type	Comments
CUR_WKFLW_STATE_FLG	NUMBER	
DATASOURCE_NUM_ID	NUMBER	Reserved. This column, in future releases, will uniquely identify the source system from which data was extracted.
EVENT_TYPE_ID	NUMBER	Event type. Foreign key to EVENT_TYPE_D.EVENT_TYPE_ID. [Agile PLM] This field cannot be mapped to another Agile PLM attribute.
INTEGRATION_ID	VARCHAR2	Reserved. This column, in future releases, will be used to uniquely identify dimension or fact entity in its source system.
LAST_MODIFIED_DATE	DATE	Last modified date. [Agile PLM] This field is derived and cannot be mapped to another Agile PLM attribute.
PC_ECO_ID	NUMBER	Change ID. [Agile PLM] This field maps to the ID attribute in ECO class.
PC_ECO_WORKFLOW_ID	NUMBER	Workflow. [Agile PLM] This field is derived and cannot be mapped to another Agile PLM attribute.
REJECT_FLAG	NUMBER	This flag is set to "Yes" or "1" if any one of the approver on workflow states (review states) rejects when sent for approval. Which is available in workflow tab of object. [Agile PLM] This field is derived and cannot be mapped to another Agile PLM attribute.
ROW_ID	NUMBER	Reserved. In future releases, this will store Surrogate key to uniquely identify a record.
SEQ_NUMBER	NUMBER	Sequence Number. [Agile PLM] This field is derived and cannot be mapped to another Agile PLM attribute.
SIGNOFF_DURATION_DAYS	NUMBER	Signoff Duration Days. [Agile PLM] This field is derived and cannot be mapped to another Agile PLM attribute.
SIGNOFF_FLAG	NUMBER	This flag indicates whether the object has been signed off. 1 for yes and 0 for no. [Agile PLM] This field is derived and cannot be mapped to another Agile PLM attribute.
SIGNOFF_USER_ID	NUMBER	Signoff User. Foreign key to USER_D.USER_ID. [Agile PLM] This field cannot be mapped to another Agile PLM attribute.
SIGNOFF_USER_TYPE_ID	NUMBER	Signoff User Type. Foreign key to USER_SIGNOFF_TYPE_D.USER_SIGNOFF_TYPE_ID. [Agile PLM] This field cannot be mapped to another Agile PLM attribute.
USER_SIGNOFF_TIME_ID	NUMBER	User Signoff Time.
USER_SUBMIT_TIME_ID	NUMBER	User Submit Time.

**PC\_ECO\_STOCK\_D**

ECO Stocks Dimension Table. This table is conforming across the fact tables in ECO Item Subject Area. Out of the box, this table is mapped to the List configured to Stocks attribute of the ECO Class on the Affected Item tab of Agile PLM.

Column	Type	Comments
DATASOURCE_NUM_ID	NUMBER	Reserved. This column, in future releases, will uniquely identify the source system from which data was extracted.
ENABLE	NUMBER	This flag indicates whether the Member is deleted or not enabled. 1 for yes and 0 for no. [Agile PLM] This field is derived and cannot be mapped to another Agile PLM attribute.
INTEGRATION_ID	VARCHAR2	Reserved. This column, in future releases, will be used to uniquely identify dimension or fact entity in its source system.
LAST_MODIFIED_DATE	DATE	Last modified date. [Agile PLM] This field is derived and cannot be mapped to another Agile PLM attribute.
LIST_ID	NUMBER	List ID associated with attribute.
NAME	VARCHAR2	Change Order Stock Name
PC_ECO_STOCK_ID	NUMBER	PC ECO Stock. Primary key that uniquely identifies the record.
ROW_ID	NUMBER	Reserved. In future releases, this will store Surrogate key to uniquely identify a record.

**PC\_ECO\_SUPPLIER\_B**

ECO Supplier Bridge Table. Maintains data between ECO and Supplier to resolve many to many relationships. Out of the box, this table is not populated with Agile PLM data. The table is populated when the Agile PLM Multilist type attribute is mapped to the corresponding column in the fact table using BI Configurator.

Column	Type	Comments
DATASOURCE_NUM_ID	NUMBER	Reserved. This column, in future releases, will uniquely identify the source system from which data was extracted.
INTEGRATION_ID	VARCHAR2	Reserved. This column, in future releases, will be used to uniquely identify dimension or fact entity in its source system.
PC_ECO_ID	NUMBER	Change ID.
ROW_ID	NUMBER	Reserved. In future releases, this will store Surrogate key to uniquely identify a record.
SUPPLIER_ID	NUMBER	Supplier ID. Foreign key to SUPPLIER_D.

**PC\_ECO\_TYPE\_D**

ECO Types Dimension Table. This table is conforming across the fact tables in ECO Subject Area. Out of the box, this table is mapped to List data from Types or Subclass attribute of the ECO class of Agile PLM.

Column	Type	Comments
DATASOURCE_NUM_ID	NUMBER	Reserved. This column, in future releases, will uniquely identify the source system from which data was extracted.
ENABLE	NUMBER	This flag indicates whether the Member is deleted or not enabled. 1 for yes and 0 for no. [Agile PLM] This field is derived and cannot be mapped to another Agile PLM attribute.
INTEGRATION_ID	VARCHAR2	Reserved. This column, in future releases, will be used to uniquely identify dimension or fact entity in its source system.
LAST_MODIFIED_DATE	DATE	Last modified date. [Agile PLM] This field is derived and cannot be mapped to another Agile PLM attribute.
LIST_ID	NUMBER	List ID associated with attribute.
NAME	VARCHAR2	Change Order Type Name
PC_ECO_TYPE_ID	NUMBER	Change type. Primary key that uniquely identifies the record.
ROW_ID	NUMBER	Reserved. In future releases, this will store Surrogate key to uniquely identify a record.

**PC\_ECO\_WIP\_D**

ECO Work in Progress Dimension Table. This table is conforming across the fact tables in ECO Item Subject Area. Out of the box, this table is mapped to the List configured to WIPs attribute of the ECO Class of Agile PLM.

Column	Type	Comments
DATASOURCE_NUM_ID	NUMBER	Reserved. This column, in future releases, will uniquely identify the source system from which data was extracted.
ENABLE	NUMBER	This flag indicates whether the Member is deleted or not enabled. 1 for yes and 0 for no. [Agile PLM] This field is derived and cannot be mapped to another Agile PLM attribute.
INTEGRATION_ID	VARCHAR2	Reserved. This column, in future releases, will be used to uniquely identify dimension or fact entity in its source system.
LAST_MODIFIED_DATE	DATE	Last modified date. [Agile PLM] This field is derived and cannot be mapped to another Agile PLM attribute.
LIST_ID	NUMBER	List ID associated with attribute.
NAME	VARCHAR2	Change Order Work in Progress Name
PC_ECO_WIP_ID	NUMBER	PC ECO Work In Progress. Primary key that uniquely identifies the record.
ROW_ID	NUMBER	Reserved. In future releases, this will store Surrogate key to uniquely identify a record.

**PC\_ECO\_WORKFLOW\_D**

ECO Workflow Dimension Table. This table is conforming across the fact tables in ECO Subject Area. Out of the box, this table contains all the workflows assigned to ECO and the states within each of the workflow.

Column	Type	Comments
CT_ENABLED	NUMBER	CT Enabled.
DATASOURCE_NUM_ID	NUMBER	Reserved. This column, in future releases, will uniquely identify the source system from which data was extracted.
ENABLE	NUMBER	This flag indicates whether the Member is deleted or not enabled. 1 for yes and 0 for no. [Agile PLM] This field is derived and cannot be mapped to another Agile PLM attribute.
INTEGRATION_ID	VARCHAR2	Reserved. This column, in future releases, will be used to uniquely identify dimension or fact entity in its source system.
LIST_ID	NUMBER	List ID associated with attribute.
PC_ECO_WORKFLOW_ID	NUMBER	Workflow. Primary key that uniquely identifies the record.
ROW_ID	NUMBER	Reserved. In future releases, this will store Surrogate key to uniquely identify a record.
WORKFLOW	VARCHAR2	Workflow.
WORKFLOW_ID	NUMBER	Workflow.
WORKFLOW_STATE	VARCHAR2	Workflow State.
WORKFLOW_STATE_ID	NUMBER	Workflow State.
WORKFLOW_TYPE	VARCHAR2	Workflow Type.

**PC\_ECO\_WORKFLOW\_DETAIL\_DATA**

ECO Workflow Details Data Table. Holds the details of the Agile PLM workflows such as status cycle time, status cycle time in progress for each combination of workflow states.

Column	Type	Comments
CUR_WKFLW_STATE_FLG	NUMBER	
DATASOURCE_NUM_ID	NUMBER	Reserved. This column, in future releases, will uniquely identify the source system from which data was extracted.
DURATION_DAYS	NUMBER	Duration Days. [Agile PLM] This field is derived and cannot be mapped to another Agile PLM attribute.
ENTRY_TIME_ID	NUMBER	Entry Time. [Agile PLM] This field is derived and cannot be mapped to another Agile PLM attribute.
EXIT_TIME_ID	NUMBER	Exit time of the From Workflow State. [Agile PLM] This field is derived and cannot be mapped to another Agile PLM attribute.
FROM_PC_ECO_WORKFLOW_ID	NUMBER	From PC ECO Workflow. [Agile PLM] This field is derived and cannot be mapped to another Agile PLM attribute.
INTEGRATION_ID	VARCHAR2	Reserved. This column, in future releases, will be used to uniquely identify dimension or fact entity in its source system.
OPEN_FLAG	NUMBER	This flag indicates whether the object is open, where the object has exited to the TO workflow state. 1 for yes and 0 for no. [Agile PLM] This field is derived and cannot be mapped to another Agile PLM attribute.
PC_ECO_ID	NUMBER	Change ID. [Agile PLM] This field maps to the ID attribute in ECO class.
PC_ECO_WORKFLOW_ID	NUMBER	Workflow. [Agile PLM] This field is derived and cannot be mapped to another Agile PLM attribute.
ROW_ID	NUMBER	Reserved. In future releases, this will store Surrogate key to uniquely identify a record.
TO_PC_ECO_WORKFLOW_ID	NUMBER	To PC ECO Workflow. [Agile PLM] This field is derived and cannot be mapped to another Agile PLM attribute.

**PC\_ECR\_CATEGORY\_D**

ECR Category Dimension Table. This table is conforming across the fact tables in ECR Subject Area. Out of the box, this table is mapped to the List configured to Category attribute of ECR Class of Agile PLM.

Column	Type	Comments
DATASOURCE_NUM_ID	NUMBER	Reserved. This column, in future releases, will uniquely identify the source system from which data was extracted.
ENABLE	NUMBER	This flag indicates whether the Member is deleted or not enabled. 1 for yes and 0 for no. [Agile PLM] This field is derived and cannot be mapped to another Agile PLM attribute.
INTEGRATION_ID	VARCHAR2	Reserved. This column, in future releases, will be used to uniquely identify dimension or fact entity in its source system.
LAST_MODIFIED_DATE	DATE	Last modified date. [Agile PLM] This field is derived and cannot be mapped to another Agile PLM attribute.
LIST_ID	NUMBER	List ID associated with attribute.
NAME	VARCHAR2	Change Request Category Name
PC_ECR_CATEGORY_ID	NUMBER	PC ECR Category. Primary key that uniquely identifies the record.
ROW_ID	NUMBER	Reserved. In future releases, this will store Surrogate key to uniquely identify a record.

**PC\_ECR\_CUSTOMER\_B**

ECR Customer Bridge Table. Maintains data between ECR fact and Customer dimension to resolve many to many relationships. Out of the box, this table is not populated with Agile PLM data. The table is populated when the Agile PLM Multilist type attribute is mapped to the corresponding column in the fact table using BI Configurator.

Column	Type	Comments
CUSTOMER_ID	NUMBER	Customer ID. Foreign key to CUSTOMER_D.
DATASOURCE_NUM_ID	NUMBER	Reserved. This column, in future releases, will uniquely identify the source system from which data was extracted.
INTEGRATION_ID	VARCHAR2	Reserved. This column, in future releases, will be used to uniquely identify dimension or fact entity in its source system.
PC_ECR_ID	NUMBER	PC ECR ID. [Agile PLM] This field maps to the ID attribute in ECR class.
ROW_ID	NUMBER	Reserved. In future releases, this will store Surrogate key to uniquely identify a record.

**PC\_ECR\_F**

ECR Core Fact Table. Stores Volume, Aging and Cycle time related measures of ECR.

Column	Type	Comments
AML_REDLINE_FLAG	NUMBER	This flag is set to "Yes" or "1", if any one of objects Affected items AML has been redlined. Which is available from Affected Item tab. [Agile PLM] This field is derived and cannot be mapped to another Agile PLM attribute.
BOM_REDLINE_FLAG	NUMBER	This flag is set to "Yes" or "1", if any one of objects Affected items BOM has been redlined. Which is available from Affected Item tab. [Agile PLM] This field is derived and cannot be mapped to another Agile PLM attribute.
CANCEL_FLAG	NUMBER	This flag indicates whether this object is cancelled. 1 for yes and 0 for no. [Agile PLM] This field is derived and cannot be mapped to another Agile PLM attribute.
CAPA_FLAG	NUMBER	This flag is set to "Yes" or "1", if the object is related to CAPA (where this CAPA can be affected by this object or the object is affected by CAPA). Which is available from relationship tab of the object. [Agile PLM] This field is derived and cannot be mapped to another Agile PLM attribute.
CHANGE_ORDER_FLAG	NUMBER	This flag is set to "Yes" or "1", if the object is related to Change Order (where this Change Order can be affected by this object or the object is affected by Change Order Which is available from relationship tab of the object. [Agile PLM] This field is derived and cannot be mapped to another Agile PLM attribute.
COMPLETE_FLAG	NUMBER	This flag indicates whether this object is complete. 1 for yes and 0 for no. [Agile PLM] This field is derived and cannot be mapped to another Agile PLM attribute.
CREATED_TIME_ID	NUMBER	Create time. [Agile PLM] This field maps to the "Date Originated" attribute in Change class. This column cannot be re-mapped to another Agile PLM attribute.
DATASOURCE_NUM_ID	NUMBER	Reserved. This column, in future releases, will uniquely identify the source system from which data was extracted.
DESCRIPTION	VARCHAR2	Description. [Agile PLM] This field maps to the "Description of Change" attribute in Change class. This column cannot be re-mapped to another Agile PLM attribute.
ENGG_IMPL_COST	NUMBER	Engg Implement Cost.
FIELD_REPAIR_COST	NUMBER	Field Repair Cost.
FINAL_COMPLETE_TIME_ID	NUMBER	Final complete date in Julian date format. [Agile PLM] This field maps to the "Final Complete Date" attribute in Change class. This column cannot be re-mapped to another Agile PLM attribute.
IMPL_MANUF_TIME_ID	NUMBER	Implement Manufacture Time ID.
IMPL_QUALITY_TIME_ID	NUMBER	Implement Quality Time ID.
IMPL_SC_TIME_ID	NUMBER	Implement SC Time ID.
INTEGRATION_ID	VARCHAR2	Reserved. This column, in future releases, will be used to uniquely identify dimension or fact entity in its source system.
INT_ORGANIZATION_ID	NUMBER	Internal organisation. Foreign key to INT_ORGANIZATION_D.INT_ORGANIZATION_ID. [Agile PLM] This field is derived and cannot be mapped to another Agile PLM attribute.
LAST_MODIFIED_DATE	DATE	Last modified date. Maps to the UPDATE_DATE attribute in ECR class. [Agile PLM] This field is derived and cannot be mapped to another Agile PLM attribute.
MFG_IMPL_COST	NUMBER	Mfg Implement Cost.

NEVER_RELEASED_ITEM_FLAG	NUMBER	This flag is set to "Yes" or "1", if any one of change object on item (ECO, MCO and SCO) are not released once. Which can be viewed to from Change tab of item. [Agile PLM] This field is derived and cannot be mapped to another Agile PLM attribute.
NO_OF_AML_ADDED	NUMBER	Number of approved manufacturers list (AML) added to item in this change. [Agile PLM] This field is derived and cannot be mapped to another Agile PLM attribute.
NO_OF_AML_DELETED	NUMBER	Number of approved manufacturers list (AML) deleted from item in this change. [Agile PLM] This field is derived and cannot be mapped to another Agile PLM attribute.
NO_OF_AML_MODIFIED	NUMBER	Number of approved manufacturers list (AML) modified for item in this change. [Agile PLM] This field is derived and cannot be mapped to another Agile PLM attribute.
NO_OF_BOM_ADDED	NUMBER	Number of BOM added. [Agile PLM] This field is derived and cannot be mapped to another Agile PLM attribute.
NO_OF_BOM_DELETED	NUMBER	Number of BOM deleted. [Agile PLM] This field is derived and cannot be mapped to another Agile PLM attribute.
NO_OF_BOM_MODIFIED	NUMBER	Number of BOM modified. [Agile PLM] This field is derived and cannot be mapped to another Agile PLM attribute.
NO_OF_ITEMS	NUMBER	Number of effected objects. [Agile PLM] This field is derived and cannot be mapped to another Agile PLM attribute.
NO_OF_REJECTIONS	NUMBER	Number of rejections. [Agile PLM] This field is derived and cannot be mapped to another Agile PLM attribute.
ORIGINATOR_USER_ID	NUMBER	Originator user. Foreign key to USER_D.USER_ID. [Agile PLM] This field maps to the "Originator" attribute in Change class. This column cannot be re-mapped to another Agile PLM attribute.
ORIG_CMPL_DAYS	NUMBER	Duration between Final complete date and Originated date excluding days spent in Hold state when Final complete date is not null and Duration between System date or ETL run date and Originated Date excluding days spent in Hold state when Final complete is null. [Agile PLM] This field is derived and cannot be mapped to another Agile PLM attribute.
ORIG_CMPL_HOLD_DURATION_DAYS	NUMBER	Duration between the final complete date and the originated date when the final date is not null. The duration between the system date or the ETL run date and the originated date when the final complete date is null. [Agile PLM] This field is derived and cannot be mapped to another Agile PLM attribute.
ORIG_RLSE_DAYS	NUMBER	Duration between Released date and Originated date when Released Date is not null and Duration between System date or ETL run date and Originated date when Released date is null excluding the days spent in Hold state. [Agile PLM] This field is derived and cannot be mapped to another Agile PLM attribute.
ORIG_RLSE_HOLD_DURATION_DAYS	NUMBER	Duration between the release date and the originated date when the final date is not null. The duration between the system date or the ETL run date and the originated date when the release date is null. [Agile PLM] This field is derived and cannot be mapped to another Agile PLM attribute.
OWNER_USER_ID	NUMBER	Owner user. Foreign key to USER_D.USER_ID. [Agile PLM] This field maps to the "Change Analyst" attribute in Change class. This column cannot be re-mapped to another Agile PLM attribute.
PC_ECR_CATEGORY_ID	NUMBER	Change category. Foreign key to PC_ECR_CATEGORY_D.PC_ECR_CATEGORY_ID. [Agile PLM] This field maps to the "Change Category" attribute in Change class. This column cannot be re-mapped to another Agile PLM attribute.
PC_ECR_ID	NUMBER	PC ECR ID. [Agile PLM] This field maps to the ID attribute in ECR class.

PC_ECR_IDEA_TYPE_ID	NUMBER	PC ECR Idea Type ID. Foreign key to PC_ECR_IDEA_TYPE_D.PC_ECR_IDEA_TYPE_ID. [Agile PLM] This field cannot be mapped to another Agile PLM attribute.
PC_ECR_NO	VARCHAR2	Change number. [Agile PLM] This field maps to the "Number" attribute in Change class. This column cannot be re-mapped to another Agile PLM attribute.
PC_ECR_PRIORITY_ID	NUMBER	Priority. Foreign key to PC_ECR_PRIORITY_D.PC_ECR_PRIORITY_ID. [Agile PLM] This field maps to the PRIORITY_ID attribute. This field cannot be mapped to another Agile PLM attribute.
PC_ECR_REASON_CODE_ID	NUMBER	Reason code. Foreign key to PC_ECR_REASON_CODE_D.PC_ECR_REASON_CODE_ID. [Agile PLM] This field maps to the "Reason Code" attribute in Change class. This column cannot be re-mapped to another Agile PLM attribute.
PC_ECR_REGTYPE_ID	NUMBER	PC ECR Regtype ID. Foreign key to PC_ECR_REGTYPE_D.PC_ECR_REGTYPE_ID. [Agile PLM] This field cannot be mapped to another Agile PLM attribute.
PC_ECR_REQ_PART_TYPE_ID	NUMBER	PC ECR Req Part Type ID. Foreign key to PC_ECR_REQ_PART_TYPE_D.PC_ECR_REQ_PART_TYPE_ID. [Agile PLM] This field cannot be mapped to another Agile PLM attribute.
PC_ECR_SEVFINIMPACT_ID	NUMBER	PC ECR Sevfinimpact ID. Foreign key to PC_ECR_SEVFINIMPACT_D.PC_ECR_SEVFINIMPACT_ID. [Agile PLM] This field cannot be mapped to another Agile PLM attribute.
PC_ECR_TYPE_ID	NUMBER	Change type. Foreign key to PC_ECR_TYPE_D.PC_ECR_TYPE_ID. [Agile PLM] This field maps to the "ECR Type" attribute in Change class. This column cannot be re-mapped to another Agile PLM attribute.
PC_ECR_WORKFLOW_ID	NUMBER	Maps to the WORKFLOW ID attribute in ECR class. [Agile PLM] This field is derived and cannot be mapped to another Agile PLM attribute.
PC_LOCATION_ID	NUMBER	Location. Foreign key to PC_LOCATION_D.PC_LOCATION_ID. [Agile PLM] This field cannot be mapped to another Agile PLM attribute.
PROGRAM_FLAG	NUMBER	This flag is set to "Yes" or "1", if the object is related to Program (where this Program can be affected by this object or the object is affected by Program). Which is available from relationship tab of the object. [Agile PLM] This field is derived and cannot be mapped to another Agile PLM attribute.
REASON	VARCHAR2	Reason. [Agile PLM] This field maps to the "Reason For Change" attribute in Change class. This column cannot be re-mapped to another Agile PLM attribute.
REJECT_FLAG	NUMBER	This flag is set to "Yes" or "1" if any one of the approver on workflow states (review states) rejects when sent for approval. Which is available in workflow tab of object. [Agile PLM] This field is derived and cannot be mapped to another Agile PLM attribute.
RELEASED_FLAG	NUMBER	This flag is set to "Yes" or "1", if the object workflow is in Released state. Which is available from workflow tab of object. [Agile PLM] This field is derived and cannot be mapped to another Agile PLM attribute.
RELEASED_TIME_ID	NUMBER	Release date in Julian date format. [Agile PLM] This field maps to the "Date Released" attribute in Change class. This column cannot be re-mapped to another Agile PLM attribute.
REQUIRED_TIME_ID	NUMBER	Required Time ID.
RLSE_CMPL_DAYS	NUMBER	Number of days object is release compliant. [Agile PLM] This field is derived and cannot be mapped to another Agile PLM attribute.
RLSE_CMPL_HOLD_DURATION_DAYS	NUMBER	Number of days object is on hold in release-compliant state. [Agile PLM] This field is derived and cannot be mapped to another Agile PLM attribute.
ROW_ID	NUMBER	Reserved. In future releases, this will store Surrogate key to uniquely identify a record.

SBMT_RLSE_DAYS	NUMBER	Duration between Released date and Submit date excluding the days spent in Hold state when Released date is not null and Duration between System date or ETL run date and Submit date excluding the days spent in Hold state when Released date is null. [Agile PLM] This field is derived and cannot be mapped to another Agile PLM attribute.
SBMT_RLSE_HOLD_DURATION_DAYS	NUMBER	Duration between Released date and Submit date when Released date is not null and Duration between System date or ETL run date and Submit date when Released date is null. [Agile PLM] This field is derived and cannot be mapped to another Agile PLM attribute.
SCHEDULE_IMPACT	NUMBER	Schedule Impact.
SOFT_DELETE_FLAG	NUMBER	This flag indicates whether this object is soft-deleted. 1 for yes and 0 for no. Maps to the DELETE_FLAG attribute in ECR class. [Agile PLM] This field is derived and cannot be mapped to another Agile PLM attribute.
SUBMIT_TIME_ID	NUMBER	Submit time. [Agile PLM] This field maps to the "Date Submitted" attribute in Change class. This column cannot be re-mapped to another Agile PLM attribute.
SUPP_CHANGE_COST	NUMBER	Supplier Change Cost.
URGENT_FLAG	NUMBER	This flag is set to "Yes" or "1", if we select "Urgent" check box while routing object workflow(review) state for Approval. [Agile PLM] This field is derived and cannot be mapped to another Agile PLM attribute.
VALID_FLAG	NUMBER	This flag indicates whether this object is valid. 1 for yes and 0 for no. [Agile PLM] This field is derived and cannot be mapped to another Agile PLM attribute.

**PC\_ECR\_FIELD\_D**

ECR Fields Dimension Table. This table is conforming across the fact tables in ECR Subject Area. Out of the box, this table is not populated with Agile PLM data. The table is populated only when the Agile PLM attributes are mapped using BI Configurator.

Column	Type	Comments
DATASOURCE_NUM_ID	NUMBER	Reserved. This column, in future releases, will uniquely identify the source system from which data was extracted.
ENABLE	NUMBER	This flag indicates whether the Member is deleted or not enabled. 1 for yes and 0 for no. [Agile PLM] This field is derived and cannot be mapped to another Agile PLM attribute.
INTEGRATION_ID	VARCHAR2	Reserved. This column, in future releases, will be used to uniquely identify dimension or fact entity in its source system.
LAST_MODIFIED_DATE	DATE	Last modified date. [Agile PLM] This field is derived and cannot be mapped to another Agile PLM attribute.
LIST_ID	NUMBER	List ID associated with attribute.
NAME	VARCHAR2	Change Request Field Name
PC_ECR_FIELD_ID	NUMBER	PC ECR Field. Primary key that uniquely identifies the record.
ROW_ID	NUMBER	Reserved. In future releases, this will store Surrogate key to uniquely identify a record.

**PC\_ECR\_FINISHEDGOODS\_D**

ECR Finished Goods Dimension Table. This table is conforming across the fact tables in ECR Subject Area. Out of the box, this table is not populated with Agile PLM data. The table is populated only when the Agile PLM attributes are mapped using BI Configurator.

Column	Type	Comments
DATASOURCE_NUM_ID	NUMBER	Reserved. This column, in future releases, will uniquely identify the source system from which data was extracted.
ENABLE	NUMBER	This flag indicates whether the Member is deleted or not enabled. 1 for yes and 0 for no. [Agile PLM] This field is derived and cannot be mapped to another Agile PLM attribute.
INTEGRATION_ID	VARCHAR2	Reserved. This column, in future releases, will be used to uniquely identify dimension or fact entity in its source system.
LAST_MODIFIED_DATE	DATE	Last modified date. [Agile PLM] This field is derived and cannot be mapped to another Agile PLM attribute.
LIST_ID	NUMBER	List ID associated with attribute.
NAME	VARCHAR2	Change Request Finished Goods Name
PC_ECR_FINISHEDGOODS_ID	NUMBER	PC ECR Finishedgoods. Primary key that uniquely identifies the record.
ROW_ID	NUMBER	Reserved. In future releases, this will store Surrogate key to uniquely identify a record.

**PC\_ECR\_FUNCTION\_D**

ECR Functions Dimension Table. This table is conforming across the fact tables in ECR Subject Area. Out of the box, this table is not populated with Agile PLM data. The table is populated only when the Agile PLM attributes are mapped using BI Configurator.

Column	Type	Comments
DATASOURCE_NUM_ID	NUMBER	Reserved. This column, in future releases, will uniquely identify the source system from which data was extracted.
ENABLE	NUMBER	This flag indicates whether the Member is deleted or not enabled. 1 for yes and 0 for no. [Agile PLM] This field is derived and cannot be mapped to another Agile PLM attribute.
INTEGRATION_ID	VARCHAR2	Reserved. This column, in future releases, will be used to uniquely identify dimension or fact entity in its source system.
LAST_MODIFIED_DATE	DATE	Last modified date. [Agile PLM] This field is derived and cannot be mapped to another Agile PLM attribute.
LIST_ID	NUMBER	List ID associated with attribute.
NAME	VARCHAR2	Change Request Function Name
PC_ECR_FUNCTION_ID	NUMBER	PC ECR Function. Primary key that uniquely identifies the record.
ROW_ID	NUMBER	Reserved. In future releases, this will store Surrogate key to uniquely identify a record.

**PC\_ECR\_IDEA\_TYPE\_D**

ECR Idea Types Dimension Table. This table is conforming across the fact tables in ECR Subject Area. Out of the box, this table is not populated with Agile PLM data. The table is populated only when the Agile PLM attributes are mapped using BI Configurator.

Column	Type	Comments
DATASOURCE_NUM_ID	NUMBER	Reserved. This column, in future releases, will uniquely identify the source system from which data was extracted.
ENABLE	NUMBER	This flag indicates whether the Member is deleted or not enabled. 1 for yes and 0 for no. [Agile PLM] This field is derived and cannot be mapped to another Agile PLM attribute.
INTEGRATION_ID	VARCHAR2	Reserved. This column, in future releases, will be used to uniquely identify dimension or fact entity in its source system.
LAST_MODIFIED_DATE	DATE	Last Modified Date. [Agile PLM] This field is derived and cannot be mapped to another Agile PLM attribute.
LIST_ID	NUMBER	List ID associated with attribute.
NAME	VARCHAR2	Change Request Idea Type Name
PC_ECR_IDEA_TYPE_ID	NUMBER	PC ECR Idea Type ID. Primary key that uniquely identifies the record.
ROW_ID	NUMBER	Reserved. In future releases, this will store Surrogate key to uniquely identify a record.

**PC\_ECR\_ITEM\_DATA**

ECR Item Data Table. This Temporary table, reserved for ETL process, is used for configuring Agile PLM flex attributes between Item and Change Requests (ECR) relationship.

Column	Type	Comments
AI_AML_ADDED	NUMBER	Number of approved manufacturers list (AML) added to item in this change. [Agile PLM] This field is derived and cannot be mapped to another Agile PLM attribute.
AI_AML_DELETED	NUMBER	Number of approved manufacturers list (AML) deleted from item in this change. [Agile PLM] This field is derived and cannot be mapped to another Agile PLM attribute.
AI_AML_MODIFIED	NUMBER	Number of approved manufacturers list (AML) modified for item in this change. [Agile PLM] This field is derived and cannot be mapped to another Agile PLM attribute.
AI_BOM_ADDED	NUMBER	
AI_BOM_DELETED	NUMBER	
AI_BOM_MODIFIED	NUMBER	
CANCEL_FLAG	NUMBER	This flag indicates whether this object is cancelled. 1 for yes and 0 for no. [Agile PLM] This field maps to the "Cancelled" attribute in Change class in Affected Item tab. This field cannot be re-mapped to another Agile PLM attribute.
CHANGE_ORDER_FLAG	NUMBER	This flag is set to "Yes" or "1", if the object is related to Change Order (where this Change Order can be affected by this object or the object is affected by Change Order Which is available from relationship tab of the object. [Agile PLM] This field maps to the "Change Order" attribute in Change class in Affected Item tab. Maps to the "Change Order" attribute in Change class in Affected Item tab. This field cannot be re-mapped to another Agile PLM attribute.
COMPLIANCY_CALC_DATE_ID	NUMBER	Compliance Calculation Date in Julian Date format. [Agile PLM] This field maps to the "Compliance Calculation Date" attribute in Change class in Affected Item tab. This field cannot be re-mapped to another Agile PLM attribute.
COMPLIANCY_FLAG	NUMBER	This flag indicates whether the object has compliance. 1 for yes and 0 for no. [Agile PLM] This field maps to the "Compliance" attribute in Change class in Affected Item tab. This field cannot be re-mapped to another Agile PLM attribute.
COST_IMPACT_FG	NUMBER	Cost Impact FG. [Agile PLM] This field maps to the "Cost Impact Fg" attribute in Change class in Affected Item tab. This field cannot be re-mapped to another Agile PLM attribute.
COST_IMPACT_FIELD	NUMBER	Cost Impact Field. [Agile PLM] This field maps to the "Cost Impact Field" attribute in Change class in Affected Item tab. This field cannot be re-mapped to another Agile PLM attribute.
COST_IMPACT_ONDEMAND	NUMBER	Cost Impact On Demand. [Agile PLM] This field maps to the "Cost Impact On Demand" attribute in Change class in Affected Item tab. This field cannot be re-mapped to another Agile PLM attribute.
COST_IMPACT_STOCK	NUMBER	Cost Impact Stock. [Agile PLM] This field maps to the "Cost Impact Stock" attribute in Change class in Affected Item tab. This field cannot be re-mapped to another Agile PLM attribute.
COST_IMPACT_WIP	NUMBER	Cost Impact Work In Progress. [Agile PLM] This field maps to the "Cost Impact Work In Progress" attribute in Change class in Affected Item tab. This field cannot be re-mapped to another Agile PLM attribute.
DATASOURCE_NUM_ID	NUMBER	Reserved. This column, in future releases, will uniquely identify the source system from which data was extracted.

DESCRIPTION	VARCHAR2	Description. [Agile PLM] This field maps to the "Description" attribute in Change class in Affected Item tab. This field cannot be re-mapped to another Agile PLM attribute.
INCORP_DATE_ID	NUMBER	Incorporated Date in Julian Date format. [Agile PLM] This field maps to the "Incorporated Date" attribute in Change class in Affected Item tab. This field cannot be re-mapped to another Agile PLM attribute.
INTEGRATION_ID	VARCHAR2	Reserved. This column, in future releases, will be used to uniquely identify dimension or fact entity in its source system.
ITEM_ID	NUMBER	Item ID.
ITEM_TLA_ID	NUMBER	Item TLA. Foreign key to FLAG_D.FLAG_ID. [Agile PLM] This field maps to the IS_TLA_ID attribute in ITEM class in Affected Item tab. This field cannot be re-mapped to another Agile PLM attribute.
LAST_MODIFIED_DATE	DATE	Last modified date. [Agile PLM] This field maps to the "Last Modified Date" attribute in Change class in Affected Item tab. This field cannot be re-mapped to another Agile PLM attribute.
LATEST_FLAG	NUMBER	This flag indicates whether the object is the latest version. [Agile PLM] This field maps to the "Latest Flag" attribute in Change class in Affected Item tab. This field cannot be re-mapped to another Agile PLM attribute.
NEW_EFFECTIVE_DATE_ID	NUMBER	New Effective Date in Julian Date format. [Agile PLM] This field maps to the "New Effective Date" attribute in Change class in Affected Item tab. This field cannot be re-mapped to another Agile PLM attribute.
NORMALIZED_WEIGHT	NUMBER	Normalized Weight. [Agile PLM] This field maps to the "Normalized Weight" attribute in Change class in Affected Item tab. This field cannot be re-mapped to another Agile PLM attribute.
OBSELETE_DATE_ID	NUMBER	Obselete Date in Julian Date format. [Agile PLM] This field maps to the "Obselete Date" attribute in Change class in Affected Item tab. This field cannot be re-mapped to another Agile PLM attribute.
OLD_DESCRIPTION	VARCHAR2	Old Description. [Agile PLM] This field maps to the "Old Description" attribute in Change class in Affected Item tab. This field cannot be re-mapped to another Agile PLM attribute.
OLD_EFFECTIVE_DATE_ID	NUMBER	Old Effective Date in Julian Date format. [Agile PLM] This field maps to the "Old Effective Date" attribute in Change class in Affected Item tab. This field cannot be re-mapped to another Agile PLM attribute.
OLD_REV_ID	NUMBER	Old Rev. [Agile PLM] This field maps to the "Old Rev" attribute in Change class in Affected Item tab. This field cannot be re-mapped to another Agile PLM attribute.
PC_ECR_FIELD_ID	NUMBER	PC ECR Field. [Agile PLM] This field maps to the "Field" attribute in Change class in Affected Item tab. This field cannot be re-mapped to another Agile PLM attribute.
PC_ECR_FINISHGOODS_ID	NUMBER	PC ECR Finished Goods. [Agile PLM] This field maps to the "Finished Goods" attribute in Change class in Affected Item tab. This field cannot be re-mapped to another Agile PLM attribute.
PC_ECR_FUNCTION_ID	NUMBER	PC ECR Function. [Agile PLM] This field maps to the "Function" attribute in Change class in Affected Item tab. This field cannot be re-mapped to another Agile PLM attribute.
PC_ECR_ID	NUMBER	Change ID. [Agile PLM] This field maps to the "ID" attribute in Change class in Affected Item tab. This field cannot be re-mapped to another Agile PLM attribute.
PC_ECR_NEW_LIFECYCLE_ID	NUMBER	PC ECR New Lifecycle. [Agile PLM] This field maps to the "New Lifecycle" attribute in Change class in Affected Item tab. This field cannot be re-mapped to another Agile PLM attribute.
PC_ECR_OLD_LIFECYCLE_ID	NUMBER	PC ECR Old Lifecycle. [Agile PLM] This field maps to the "Old Lifecycle" attribute in Change class in Affected Item tab. This field cannot be re-mapped to another Agile PLM attribute.

PC_ECR_ONORDER_ID	NUMBER	PC ECR On Order. [Agile PLM] This field maps to the "On Order" attribute in Change class in Affected Item tab. This field cannot be re-mapped to another Agile PLM attribute.
PC_ECR_STOCK_ID	NUMBER	PC ECR Stock. [Agile PLM] This field maps to the "Stock" attribute in Change class in Affected Item tab. This field cannot be re-mapped to another Agile PLM attribute.
PC_ECR_WIP_ID	NUMBER	PC ECR Work In Progress. [Agile PLM] This field maps to the "Work In Progress" attribute in Change class in Affected Item tab. This field cannot be re-mapped to another Agile PLM attribute.
REV_ID	NUMBER	Revision this object is associated with. [Agile PLM] This field maps to the "Rev" attribute in Change class in Affected Item tab. This field cannot be re-mapped to another Agile PLM attribute.
REV_INCORPORATED_FLAG	NUMBER	This flag indicates whether the object is in an incorporated revision. [Agile PLM] This field maps to the "Rev Incorporated Flag" attribute in Change class in Affected Item tab. This field cannot be re-mapped to another Agile PLM attribute.
REV_RELEASED_FLAG	NUMBER	This flag is set to "Yes" or "1", if the object workflow is in Released state. [Agile PLM] This field maps to the "Rev Released Flag" attribute in Change class in Affected Item tab. This field cannot be re-mapped to another Agile PLM attribute.
REV_RELEASE_DATE_ID	NUMBER	Rev Release Date in Julian Date format. [Agile PLM] This field maps to the "Rev Release Date" attribute in Change class in Affected Item tab. This field cannot be re-mapped to another Agile PLM attribute.
ROW_ID	NUMBER	Reserved. In future releases, this will store Surrogate key to uniquely identify a record.
SITE_ID	NUMBER	Site. [Agile PLM] This field maps to the "Site" attribute in Change class in Affected Item tab. This field cannot be re-mapped to another Agile PLM attribute.
TOTAL_COST	NUMBER	Total Cost. [Agile PLM] This field maps to the "Total Cost" attribute in Change class in Affected Item tab. This field cannot be re-mapped to another Agile PLM attribute.
VALID_FLAG	NUMBER	This flag indicates whether this object is valid. [Agile PLM] This field maps to the "Valid Flag" attribute in Change class in Affected Item tab. This field cannot be re-mapped to another Agile PLM attribute.
WEIGHT	NUMBER	Weight. [Agile PLM] This field maps to the "Weight" attribute in Change class in Affected Item tab. This field cannot be re-mapped to another Agile PLM attribute.
WEIGHT_UOM	NUMBER	Weight Unit of Measure. [Agile PLM] This field maps to the "Weight UOM" attribute in Change class in Affected Item tab. This field cannot be re-mapped to another Agile PLM attribute.

**PC\_ECR\_ITEM\_PRODUCTLINE\_B**

ECR Item Productline Bridge Table. Maintains data between ECR fact and Item Productline dimension to resolve many to many relationships. Out of the box, this table is not populated with Agile PLM data. The table is populated when the Agile PLM Multilist type attribute is mapped to the corresponding column in the fact table using BI Configurator.

Column	Type	Comments
DATASOURCE_NUM_ID	NUMBER	Reserved. This column, in future releases, will uniquely identify the source system from which data was extracted.
INTEGRATION_ID	VARCHAR2	Reserved. This column, in future releases, will be used to uniquely identify dimension or fact entity in its source system.
ITEM_ID	NUMBER	Foreign key to ITEM_D, serves as the primary key (with PQM_AUDIT_ID).
ITEM_PRODUCTLINE_ID	NUMBER	Item Productline ID. Foreign key to ITEM_PRODUCTLINE_D.
ROW_ID	NUMBER	Reserved. In future releases, this will store Surrogate key to uniquely identify a record.

**PC\_ECR\_MANUF\_OWNER\_B**

ECR Manufacturer Owner Bridge Table. Maintains data between ECR fact and Manufacturer Owner dimension to resolve many to many relationships. Out of the box, this table is not populated with Agile PLM data. The table is populated when the Agile PLM Multilist type attribute is mapped to the corresponding column in the fact table using BI Configurator.

Column	Type	Comments
DATASOURCE_NUM_ID	NUMBER	Reserved. This column, in future releases, will uniquely identify the source system from which data was extracted.
INTEGRATION_ID	VARCHAR2	Reserved. This column, in future releases, will be used to uniquely identify dimension or fact entity in its source system.
PC_ECR_ID	NUMBER	PC ECR ID. [Agile PLM] This field maps to the ID attribute in ECR class.
ROW_ID	NUMBER	Reserved. In future releases, this will store Surrogate key to uniquely identify a record.
USER_ID	NUMBER	User.

**PC\_ECR\_MFRLOCIMPACT\_B**

ECR Manufacturer Locations Impacted Bridge Table. Maintains data between ECR fact and Manufacturer Location Impact dimension Impact to resolve many to many relationships. Out of the box, this table is not populated with Agile PLM data. The table is populated when the Agile PLM Multilist type attribute is mapped to the corresponding column in the fact table using BI Configurator.

Column	Type	Comments
DATASOURCE_NUM_ID	NUMBER	Reserved. This column, in future releases, will uniquely identify the source system from which data was extracted.
INTEGRATION_ID	VARCHAR2	Reserved. This column, in future releases, will be used to uniquely identify dimension or fact entity in its source system.
PC_ECR_ID	NUMBER	PC ECR ID. [Agile PLM] This field maps to the ID attribute in ECR class.
PC_ECR_MFRLOCIMPACT_ID	NUMBER	PC ECR Manufacturer Location Impact ID.
ROW_ID	NUMBER	Reserved. In future releases, this will store Surrogate key to uniquely identify a record.

**PC\_ECR\_MFRLOCIMPACT\_D**

ECR Manufacturing Locations Impacted Dimension Table. This table is conforming across the fact tables in ECR Subject Area. Out of the box, this table is not populated with Agile PLM data. The table is populated only when the Agile PLM attributes are mapped using BI Configurator.

Column	Type	Comments
DATASOURCE_NUM_ID	NUMBER	Reserved. This column, in future releases, will uniquely identify the source system from which data was extracted.
ENABLE	NUMBER	This flag indicates whether the Member is deleted or not enabled. 1 for yes and 0 for no. [Agile PLM] This field is derived and cannot be mapped to another Agile PLM attribute.
INTEGRATION_ID	VARCHAR2	Reserved. This column, in future releases, will be used to uniquely identify dimension or fact entity in its source system.
LAST_MODIFIED_DATE	DATE	Last Modified Date. [Agile PLM] This field is derived and cannot be mapped to another Agile PLM attribute.
LIST_ID	NUMBER	List ID associated with attribute.
NAME	VARCHAR2	Change Request Manufacturing Location Impact Name
PC_ECR_MFRLOCIMPACT_ID	NUMBER	PC ECR Manufacturer Location Impact ID. Primary key that uniquely identifies the record.
ROW_ID	NUMBER	Reserved. In future releases, this will store Surrogate key to uniquely identify a record.

**PC\_ECR\_ONORDER\_D**

ECR On Orders Dimension Table. This table is conforming across the fact tables in ECR Subject Area. Out of the box, this table is not populated with Agile PLM data. The table is populated only when the Agile PLM attributes are mapped using BI Configurator.

Column	Type	Comments
DATASOURCE_NUM_ID	NUMBER	Reserved. This column, in future releases, will uniquely identify the source system from which data was extracted.
ENABLE	NUMBER	This flag indicates whether the Member is deleted or not enabled. 1 for yes and 0 for no. [Agile PLM] This field is derived and cannot be mapped to another Agile PLM attribute.
INTEGRATION_ID	VARCHAR2	Reserved. This column, in future releases, will be used to uniquely identify dimension or fact entity in its source system.
LAST_MODIFIED_DATE	DATE	Last modified date. [Agile PLM] This field is derived and cannot be mapped to another Agile PLM attribute.
LIST_ID	NUMBER	List ID associated with attribute.
NAME	VARCHAR2	Change Request Onorder name
PC_ECR_ONORDER_ID	NUMBER	PC ECR Onorder. Primary key that uniquely identifies the record.
ROW_ID	NUMBER	Reserved. In future releases, this will store Surrogate key to uniquely identify a record.

**PC\_ECR\_PRGTASK\_B**

ECR Program Task Bridge Table. Maintains data between ECR fact and Program Task dimension to resolve many to many relationships. Out of the box, this table is not populated with Agile PLM data. The table is populated when the Agile PLM Multilist type attribute is mapped to the corresponding column in the fact table using BI Configurator.

Column	Type	Comments
DATASOURCE_NUM_ID	NUMBER	Reserved. This column, in future releases, will uniquely identify the source system from which data was extracted.
INTEGRATION_ID	VARCHAR2	Reserved. This column, in future releases, will be used to uniquely identify dimension or fact entity in its source system.
PC_ECR_ID	NUMBER	PC ECR ID. [Agile PLM] This field maps to the ID attribute in ECR class.
PC_ECR_PRGTASK_ID	NUMBER	PC ECR Program Task ID.
ROW_ID	NUMBER	Reserved. In future releases, this will store Surrogate key to uniquely identify a record.

**PC\_ECR\_PRGTASK\_D**

ECR Program Task Dimension Table. This table is conforming across the fact tables in ECR Subject Area. Out of the box, this table is not populated with Agile PLM data. The table is populated only when the Agile PLM attributes are mapped using BI Configurator.

Column	Type	Comments
DATASOURCE_NUM_ID	NUMBER	Reserved. This column, in future releases, will uniquely identify the source system from which data was extracted.
ENABLE	NUMBER	This flag indicates whether the Member is deleted or not enabled. 1 for yes and 0 for no. [Agile PLM] This field is derived and cannot be mapped to another Agile PLM attribute.
INTEGRATION_ID	VARCHAR2	Reserved. This column, in future releases, will be used to uniquely identify dimension or fact entity in its source system.
LAST_MODIFIED_DATE	DATE	Last Modified Date. [Agile PLM] This field is derived and cannot be mapped to another Agile PLM attribute.
LIST_ID	NUMBER	List ID associated with attribute.
NAME	VARCHAR2	Change Request Program Task Name
PC_ECR_PRGTASK_ID	NUMBER	PC ECR Program Task ID. Primary key that uniquely identifies the record.
ROW_ID	NUMBER	Reserved. In future releases, this will store Surrogate key to uniquely identify a record.

**PC\_ECR\_PRIORITY\_D**

ECR Priority Dimension Table. This table is conforming across the fact tables in ECR Subject Area. Out of the box, this table is not populated with Agile PLM data. The table is populated only when the Agile PLM attributes are mapped using BI Configurator.

Column	Type	Comments
DATASOURCE_NUM_ID	NUMBER	Reserved. This column, in future releases, will uniquely identify the source system from which data was extracted.
ENABLE	NUMBER	This flag indicates whether the Member is deleted or not enabled. 1 for yes and 0 for no. [Agile PLM] This field is derived and cannot be mapped to another Agile PLM attribute.
INTEGRATION_ID	VARCHAR2	Reserved. This column, in future releases, will be used to uniquely identify dimension or fact entity in its source system.
LAST_MODIFIED_DATE	DATE	Last modified date. [Agile PLM] This field is derived and cannot be mapped to another Agile PLM attribute.
LIST_ID	NUMBER	List ID associated with attribute.
NAME	VARCHAR2	Change Request Priority Name
PC_ECR_PRIORITY_ID	NUMBER	PC ECR Priority. Primary key that uniquely identifies the record.
ROW_ID	NUMBER	Reserved. In future releases, this will store Surrogate key to uniquely identify a record.

**PC\_ECR\_PRODUCTLINE\_B**

ECR Productline Bridge Table. Maintains data between ECR fact and Productline dimension to resolve many to many relationships. Out of the box, this table is not populated with Agile PLM data. The table is populated when the Agile PLM Multilist type attribute is mapped to the corresponding column in the fact table using BI Configurator.

Column	Type	Comments
DATASOURCE_NUM_ID	NUMBER	Reserved. This column, in future releases, will uniquely identify the source system from which data was extracted.
INTEGRATION_ID	VARCHAR2	Reserved. This column, in future releases, will be used to uniquely identify dimension or fact entity in its source system.
PC_ECR_ID	NUMBER	PC ECR ID. [Agile PLM] This field maps to the ID attribute in ECR class.
PC_PRODUCTLINE_ID	NUMBER	PC Productline ID.
ROW_ID	NUMBER	Reserved. In future releases, this will store Surrogate key to uniquely identify a record.

**PC\_ECR\_PROGRAM\_B**

ECR Programs Bridge Table. Maintains data between ECR fact and Program dimension to resolve many to many relationships. Out of the box, this table is not populated with Agile PLM data. The table is populated when the Agile PLM Multilist type attribute is mapped to the corresponding column in the fact table using BI Configurator.

Column	Type	Comments
DATASOURCE_NUM_ID	NUMBER	Reserved. This column, in future releases, will uniquely identify the source system from which data was extracted.
INTEGRATION_ID	VARCHAR2	Reserved. This column, in future releases, will be used to uniquely identify dimension or fact entity in its source system.
PC_ECR_ID	NUMBER	PC ECR ID. [Agile PLM] This field maps to the ID attribute in ECR class.
PC_ECR_PROGRAM_ID	NUMBER	PC ECR Program.
ROW_ID	NUMBER	Reserved. In future releases, this will store Surrogate key to uniquely identify a record.

**PC\_ECR\_PROGRAM\_D**

ECR Programs Dimension Table. This table is conforming across the fact tables in ECR Subject Area. Out of the box, this table is not populated with Agile PLM data. The table is populated only when the Agile PLM attributes are mapped using BI Configurator.

Column	Type	Comments
DATASOURCE_NUM_ID	NUMBER	Reserved. This column, in future releases, will uniquely identify the source system from which data was extracted.
ENABLE	NUMBER	This flag indicates whether the Member is deleted or not enabled. 1 for yes and 0 for no. [Agile PLM] This field is derived and cannot be mapped to another Agile PLM attribute.
INTEGRATION_ID	VARCHAR2	Reserved. This column, in future releases, will be used to uniquely identify dimension or fact entity in its source system.
LAST_MODIFIED_DATE	DATE	Last modified date. [Agile PLM] This field is derived and cannot be mapped to another Agile PLM attribute.
LIST_ID	NUMBER	List ID associated with attribute.
NAME	VARCHAR2	Change Request Program Name
PC_ECR_PROGRAM_ID	NUMBER	PC ECR Program. Primary key that uniquely identifies the record.
ROW_ID	NUMBER	Reserved. In future releases, this will store Surrogate key to uniquely identify a record.

***PC\_ECR\_QUALITY\_OWNER\_B***

ECR Quality Owner Bridge Table. Maintains data between ECR fact and Quality Owner dimension to resolve many to many relationships. Out of the box, this table is not populated with Agile PLM data. The table is populated when the Agile PLM Multilist type attribute is mapped to the corresponding column in the fact table using BI Configurator.

<b>Column</b>	<b>Type</b>	<b>Comments</b>
DATASOURCE_NUM_ID	NUMBER	Reserved. This column, in future releases, will uniquely identify the source system from which data was extracted.
INTEGRATION_ID	VARCHAR2	Reserved. This column, in future releases, will be used to uniquely identify dimension or fact entity in its source system.
PC_ECR_ID	NUMBER	PC ECR ID. [Agile PLM] This field maps to the ID attribute in ECR class.
ROW_ID	NUMBER	Reserved. In future releases, this will store Surrogate key to uniquely identify a record.
USER_ID	NUMBER	User.

***PC\_ECR\_REASON\_CODE\_D***

ECR Reason Codes Dimension Table. This table is conforming across the fact tables in ECR Subject Area. Out of the box, this table is mapped to the List configured to Reason Codes attribute of the ECR Class.

Column	Type	Comments
DATASOURCE_NUM_ID	NUMBER	Reserved. This column, in future releases, will uniquely identify the source system from which data was extracted.
ENABLE	NUMBER	This flag indicates whether the Member is deleted or not enabled. 1 for yes and 0 for no. [Agile PLM] This field is derived and cannot be mapped to another Agile PLM attribute.
INTEGRATION_ID	VARCHAR2	Reserved. This column, in future releases, will be used to uniquely identify dimension or fact entity in its source system.
LAST_MODIFIED_DATE	DATE	Last modified date. [Agile PLM] This field is derived and cannot be mapped to another Agile PLM attribute.
LIST_ID	NUMBER	List ID associated with attribute.
NAME	VARCHAR2	Change Request Reason Code Name
PC_ECR_REASON_CODE_ID	NUMBER	PC ECR Reason Code. Primary key that uniquely identifies the record.
ROW_ID	NUMBER	Reserved. In future releases, this will store Surrogate key to uniquely identify a record.

**PC\_ECR\_REGTYPE\_D**

ECR Regulation Type Dimension Table. This table is conforming across the fact tables in ECR Subject Area. Out of the box, this table is not populated with Agile PLM data. The table is populated only when the Agile PLM attributes are mapped using BI Configurator.

Column	Type	Comments
DATASOURCE_NUM_ID	NUMBER	Reserved. This column, in future releases, will uniquely identify the source system from which data was extracted.
ENABLE	NUMBER	This flag indicates whether the Member is deleted or not enabled. 1 for yes and 0 for no. [Agile PLM] This field is derived and cannot be mapped to another Agile PLM attribute.
INTEGRATION_ID	VARCHAR2	Reserved. This column, in future releases, will be used to uniquely identify dimension or fact entity in its source system.
LAST_MODIFIED_DATE	DATE	Last Modified Date. [Agile PLM] This field is derived and cannot be mapped to another Agile PLM attribute.
LIST_ID	NUMBER	List ID associated with attribute.
NAME	VARCHAR2	Change Request Regulation Type Name
PC_ECR_REGTYPE_ID	NUMBER	PC ECR Regtype ID. Primary key that uniquely identifies the record.
ROW_ID	NUMBER	Reserved. In future releases, this will store Surrogate key to uniquely identify a record.

**PC\_ECR\_REQ\_PART\_TYPE\_D**

ECR Requested Part Types Dimension Table. This table is conforming across the fact tables in ECR Subject Area. Out of the box, this table is not populated with Agile PLM data. The table is populated only when the Agile PLM attributes are mapped using BI Configurator.

Column	Type	Comments
DATASOURCE_NUM_ID	NUMBER	Reserved. This column, in future releases, will uniquely identify the source system from which data was extracted.
ENABLE	NUMBER	This flag indicates whether the Member is deleted or not enabled. 1 for yes and 0 for no. [Agile PLM] This field is derived and cannot be mapped to another Agile PLM attribute.
INTEGRATION_ID	VARCHAR2	Reserved. This column, in future releases, will be used to uniquely identify dimension or fact entity in its source system.
LAST_MODIFIED_DATE	DATE	Last Modified Date. [Agile PLM] This field is derived and cannot be mapped to another Agile PLM attribute.
LIST_ID	NUMBER	List ID associated with attribute.
NAME	VARCHAR2	Change Request Requested Part Type Name
PC_ECR_REQ_PART_TYPE_ID	NUMBER	PC ECR Req Part Type ID. Primary key that uniquely identifies the record.
ROW_ID	NUMBER	Reserved. In future releases, this will store Surrogate key to uniquely identify a record.

**PC\_ECR\_SALESREGIMPACT\_B**

ECR Sales Region Impacted Bridge Table. Maintains data between ECR fact and Sales Region Impact dimension to resolve many to many relationships. Out of the box, this table is not populated with Agile PLM data. The table is populated when the Agile PLM Multilist type attribute is mapped to the corresponding column in the fact table using BI Configurator.

Column	Type	Comments
DATASOURCE_NUM_ID	NUMBER	Reserved. This column, in future releases, will uniquely identify the source system from which data was extracted.
INTEGRATION_ID	VARCHAR2	Reserved. This column, in future releases, will be used to uniquely identify dimension or fact entity in its source system.
PC_ECR_ID	NUMBER	PC ECR ID. [Agile PLM] This field maps to the ID attribute in ECR class.
PC_ECR_SALESREGIMPACT_ID	NUMBER	PC ECR Sales Region Impact ID.
ROW_ID	NUMBER	Reserved. In future releases, this will store Surrogate key to uniquely identify a record.

**PC\_ECR\_SALESREGIMPACT\_D**

ECR Sales Regions Impacted Dimension Table. This table is conforming across the fact tables in ECR Subject Area. Out of the box, this table is not populated with Agile PLM data. The table is populated only when the Agile PLM attributes are mapped using BI Configurator.

Column	Type	Comments
DATASOURCE_NUM_ID	NUMBER	Reserved. This column, in future releases, will uniquely identify the source system from which data was extracted.
ENABLE	NUMBER	This flag indicates whether the Member is deleted or not enabled. 1 for yes and 0 for no. [Agile PLM] This field is derived and cannot be mapped to another Agile PLM attribute.
INTEGRATION_ID	VARCHAR2	Reserved. This column, in future releases, will be used to uniquely identify dimension or fact entity in its source system.
LAST_MODIFIED_DATE	DATE	Last Modified Date. [Agile PLM] This field is derived and cannot be mapped to another Agile PLM attribute.
LIST_ID	NUMBER	List ID associated with attribute.
NAME	VARCHAR2	Change Request Sales Region Impact Name
PC_ECR_SALESREGIMPACT_ID	NUMBER	PC ECR Sales Region Impact ID. Primary key that uniquely identifies the record.
ROW_ID	NUMBER	Reserved. In future releases, this will store Surrogate key to uniquely identify a record.

**PC\_ECR\_SC\_OWNER\_B**

ECR SC Owner Bridge Table. Maintains data between ECR fact and SC Owner dimension to resolve many to many relationships. Out of the box, this table is not populated with Agile PLM data. The table is populated when the Agile PLM Multilist type attribute is mapped to the corresponding column in the fact table using BI Configurator.

Column	Type	Comments
DATASOURCE_NUM_ID	NUMBER	Reserved. This column, in future releases, will uniquely identify the source system from which data was extracted.
INTEGRATION_ID	VARCHAR2	Reserved. This column, in future releases, will be used to uniquely identify dimension or fact entity in its source system.
PC_ECR_ID	NUMBER	PC ECR ID. [Agile PLM] This field maps to the ID attribute in ECR class.
ROW_ID	NUMBER	Reserved. In future releases, this will store Surrogate key to uniquely identify a record.
USER_ID	NUMBER	User.

**PC\_ECR\_SEVFINIMPACT\_D**

ECR Severity of Financial Impact Dimension Table. This table is conforming across the fact tables in ECR Subject Area. Out of the box, this table is not populated with Agile PLM data. The table is populated only when the Agile PLM attributes are mapped using BI Configurator.

Column	Type	Comments
DATASOURCE_NUM_ID	NUMBER	Reserved. This column, in future releases, will uniquely identify the source system from which data was extracted.
ENABLE	NUMBER	This flag indicates whether the Member is deleted or not enabled. 1 for yes and 0 for no. [Agile PLM] This field is derived and cannot be mapped to another Agile PLM attribute.
INTEGRATION_ID	VARCHAR2	Reserved. This column, in future releases, will be used to uniquely identify dimension or fact entity in its source system.
LAST_MODIFIED_DATE	DATE	Last Modified Date. [Agile PLM] This field is derived and cannot be mapped to another Agile PLM attribute.
LIST_ID	NUMBER	List ID associated with attribute.
NAME	VARCHAR2	Change Request Severity of Financial Impact Name
PC_ECR_SEVFINIMPACT_ID	NUMBER	PC ECR Sevfinimpact ID. Primary key that uniquely identifies the record.
ROW_ID	NUMBER	Reserved. In future releases, this will store Surrogate key to uniquely identify a record.

**PC\_ECR\_SIGNOFF\_B**

ECR Signoff Bridge Table. Maintains data between ECR and Signoff to resolve many to many relationships. Out of the box, this table is not populated with Agile PLM data. The table is populated when the Agile PLM Multilist type attribute is mapped to the corresponding column in the fact table using BI Configurator.

Column	Type	Comments
PC_ECR_ID	NUMBER	PC ECR ID. [Agile PLM] This field maps to the ID attribute in ECR class.
SIGNOFF_USER_ID	NUMBER	Signoff User.
SIGNOFF_USER_TYPE_ID	NUMBER	Signoff User Type.

**PC\_ECR\_SIGNOFF\_DATA**

ECR Signoff Data Table. This Temporary table, reserved for ETL process, is used for processing Change Requests (ECR) signoff data of Agile PLM.

Column	Type	Comments
CUR_WKFLW_STATE_FLG	NUMBER	
DATASOURCE_NUM_ID	NUMBER	Reserved. This column, in future releases, will uniquely identify the source system from which data was extracted.
EVENT_TYPE_ID	NUMBER	Event type. Foreign key to EVENT_TYPE_D.EVENT_TYPE_ID. [Agile PLM] This field cannot be mapped to another Agile PLM attribute.
INTEGRATION_ID	VARCHAR2	Reserved. This column, in future releases, will be used to uniquely identify dimension or fact entity in its source system.
LAST_MODIFIED_DATE	DATE	Last modified date. [Agile PLM] This field is derived and cannot be mapped to another Agile PLM attribute.
PC_ECR_ID	NUMBER	PC ECR ID. [Agile PLM] This field maps to the ID attribute in ECR class.
PC_ECR_WORKFLOW_ID	NUMBER	PC ECR Workflow. [Agile PLM] This field is derived and cannot be mapped to another Agile PLM attribute.
REJECT_FLAG	NUMBER	This flag is set to "Yes" or "1" if any one of the approver on workflow states (review states) rejects when sent for approval. Which is available in workflow tab of object. [Agile PLM] This field is derived and cannot be mapped to another Agile PLM attribute.
ROW_ID	NUMBER	Reserved. In future releases, this will store Surrogate key to uniquely identify a record.
SEQ_NUMBER	NUMBER	Sequence Number. [Agile PLM] This field is derived and cannot be mapped to another Agile PLM attribute.
SIGNOFF_DURATION_DAYS	NUMBER	Signoff Duration Days. [Agile PLM] This field is derived and cannot be mapped to another Agile PLM attribute.
SIGNOFF_FLAG	NUMBER	This flag indicates whether the object has been signed off. 1 for yes and 0 for no. [Agile PLM] This field is derived and cannot be mapped to another Agile PLM attribute.
SIGNOFF_USER_ID	NUMBER	Signoff User. [Agile PLM] This field is derived and cannot be mapped to another Agile PLM attribute.
SIGNOFF_USER_TYPE_ID	NUMBER	Signoff User Type. [Agile PLM] This field is derived and cannot be mapped to another Agile PLM attribute.
USER_SIGNOFF_TIME_ID	NUMBER	User Signoff Time.
USER_SUBMIT_TIME_ID	NUMBER	User Submit Time.

**PC\_ECR\_STOCK\_D**

ECR Stocks Dimension Table. This table is conforming across the fact tables in ECR Subject Area. Out of the box, this table is not populated with Agile PLM data. The table is populated only when the Agile PLM attributes are mapped using BI Configurator.

Column	Type	Comments
DATASOURCE_NUM_ID	NUMBER	Reserved. This column, in future releases, will uniquely identify the source system from which data was extracted.
ENABLE	NUMBER	This flag indicates whether the Member is deleted or not enabled. 1 for yes and 0 for no. [Agile PLM] This field is derived and cannot be mapped to another Agile PLM attribute.
INTEGRATION_ID	VARCHAR2	Reserved. This column, in future releases, will be used to uniquely identify dimension or fact entity in its source system.
LAST_MODIFIED_DATE	DATE	Last modified date. [Agile PLM] This field is derived and cannot be mapped to another Agile PLM attribute.
LIST_ID	NUMBER	List ID associated with attribute.
NAME	VARCHAR2	Change Request Stock Name
PC_ECR_STOCK_ID	NUMBER	PC ECR Stock. Primary key that uniquely identifies the record.
ROW_ID	NUMBER	Reserved. In future releases, this will store Surrogate key to uniquely identify a record.

**PC\_ECR\_SUPPLIER\_B**

ECR Supplier Bridge Table. Maintains data between ECR and Supplier to resolve many to many relationships. Out of the box, this table is not populated with Agile PLM data. The table is populated when the Agile PLM Multilist type attribute is mapped to the corresponding column in the fact table using BI Configurator.

Column	Type	Comments
DATASOURCE_NUM_ID	NUMBER	Reserved. This column, in future releases, will uniquely identify the source system from which data was extracted.
INTEGRATION_ID	VARCHAR2	Reserved. This column, in future releases, will be used to uniquely identify dimension or fact entity in its source system.
PC_ECR_ID	NUMBER	PC ECR ID. [Agile PLM] This field maps to the ID attribute in ECR class.
ROW_ID	NUMBER	Reserved. In future releases, this will store Surrogate key to uniquely identify a record.
SUPPLIER_ID	NUMBER	Supplier ID. Foreign key to SUPPLIER_D.

**PC\_ECR\_TYPE\_D**

ECR Types Dimension Table. This table is conforming across the fact tables in ECR Subject Area. Out of the box, this table is mapped to List data from Types or Subclass attribute of the ECR class of Agile PLM.

Column	Type	Comments
DATASOURCE_NUM_ID	NUMBER	Reserved. This column, in future releases, will uniquely identify the source system from which data was extracted.
ENABLE	NUMBER	This flag indicates whether the Member is deleted or not enabled. 1 for yes and 0 for no. [Agile PLM] This field is derived and cannot be mapped to another Agile PLM attribute.
INTEGRATION_ID	VARCHAR2	Reserved. This column, in future releases, will be used to uniquely identify dimension or fact entity in its source system.
LAST_MODIFIED_DATE	DATE	Last modified date. [Agile PLM] This field is derived and cannot be mapped to another Agile PLM attribute.
LIST_ID	NUMBER	List ID associated with attribute.
NAME	VARCHAR2	Change Request Type Nmae
PC_ECR_TYPE_ID	NUMBER	PC ECR Type. Primary key that uniquely identifies the record.
ROW_ID	NUMBER	Reserved. In future releases, this will store Surrogate key to uniquely identify a record.

**PC\_ECR\_WIP\_D**

ECR WIPs Dimension Table. This table is conforming across the fact tables in ECR Subject Area. Out of the box, this table is not populated with Agile PLM data. The table is populated only when the Agile PLM attributes are mapped using BI Configurator.

Column	Type	Comments
DATASOURCE_NUM_ID	NUMBER	Reserved. This column, in future releases, will uniquely identify the source system from which data was extracted.
ENABLE	NUMBER	This flag indicates whether the Member is deleted or not enabled. 1 for yes and 0 for no. [Agile PLM] This field is derived and cannot be mapped to another Agile PLM attribute.
INTEGRATION_ID	VARCHAR2	Reserved. This column, in future releases, will be used to uniquely identify dimension or fact entity in its source system.
LAST_MODIFIED_DATE	DATE	Last modified date. [Agile PLM] This field is derived and cannot be mapped to another Agile PLM attribute.
LIST_ID	NUMBER	List ID associated with attribute.
NAME	VARCHAR2	Change Request Work in Progress Name
PC_ECR_WIP_ID	NUMBER	PC ECR Work In Progress. Primary key that uniquely identifies the record.
ROW_ID	NUMBER	Reserved. In future releases, this will store Surrogate key to uniquely identify a record.

**PC\_ECR\_WORKFLOW\_D**

ECO Workflow Dimension Table. This table is conforming across the fact tables in ECR Subject Area. Out of the box, this table contains all the workflows assigned to ECR and the states within each of the workflow.

Column	Type	Comments
CT_ENABLED	NUMBER	CT Enabled.
DATASOURCE_NUM_ID	NUMBER	Reserved. This column, in future releases, will uniquely identify the source system from which data was extracted.
ENABLE	NUMBER	This flag indicates whether the Member is deleted or not enabled. 1 for yes and 0 for no. [Agile PLM] This field is derived and cannot be mapped to another Agile PLM attribute.
INTEGRATION_ID	VARCHAR2	Reserved. This column, in future releases, will be used to uniquely identify dimension or fact entity in its source system.
LIST_ID	NUMBER	List ID associated with attribute.
PC_ECR_WORKFLOW_ID	NUMBER	PC ECR Workflow. Primary key that uniquely identifies the record.
ROW_ID	NUMBER	Reserved. In future releases, this will store Surrogate key to uniquely identify a record.
WORKFLOW	VARCHAR2	Workflow.
WORKFLOW_ID	NUMBER	Workflow.
WORKFLOW_STATE	VARCHAR2	Workflow State.
WORKFLOW_STATE_ID	NUMBER	Workflow State.
WORKFLOW_TYPE	VARCHAR2	Workflow Type.

**PC\_ECR\_WORKFLOW\_DETAIL\_DATA**

ECR Workflow Detail Data Table. Stores the details of the Agile PLM workflow such as status cycle time, status cycle time in progress for each combination of workflow states.

Column	Type	Comments
CUR_WKFLW_STATE_FLG	NUMBER	
DATASOURCE_NUM_ID	NUMBER	Reserved. This column, in future releases, will uniquely identify the source system from which data was extracted.
DURATION_DAYS	NUMBER	Duration Days. [Agile PLM] This field is derived and cannot be mapped to another Agile PLM attribute.
ENTRY_TIME_ID	NUMBER	Entry Time. [Agile PLM] This field is derived and cannot be mapped to another Agile PLM attribute.
EXIT_TIME_ID	NUMBER	Exit time of the From Workflow State. [Agile PLM] This field is derived and cannot be mapped to another Agile PLM attribute.
FROM_PC_ECR_WORKFLOW_ID	NUMBER	From PC ECR Workflow. [Agile PLM] This field is derived and cannot be mapped to another Agile PLM attribute.
INTEGRATION_ID	VARCHAR2	Reserved. This column, in future releases, will be used to uniquely identify dimension or fact entity in its source system.
OPEN_FLAG	NUMBER	This flag indicates whether the object is open, where the object has exited to the TO workflow state. 1 for yes and 0 for no. [Agile PLM] This field is derived and cannot be mapped to another Agile PLM attribute.
PC_ECR_ID	NUMBER	PC ECR ID. [Agile PLM] This field maps to the ID attribute in ECR class.
PC_ECR_WORKFLOW_ID	NUMBER	PC ECR Workflow. [Agile PLM] This field is derived and cannot be mapped to another Agile PLM attribute.
ROW_ID	NUMBER	Reserved. In future releases, this will store Surrogate key to uniquely identify a record.
TO_PC_ECR_WORKFLOW_ID	NUMBER	To PC ECR Workflow. [Agile PLM] This field is derived and cannot be mapped to another Agile PLM attribute.

**PC\_LOCATION\_D**

PC Locations Dimension Table. This Dimension Table is Conforming across PLM. Out of the box, this table is not populated with Agile PLM data. The table is populated only when the Agile PLM attributes are mapped using BI Configurator.

Column	Type	Comments
DATASOURCE_NUM_ID	NUMBER	Reserved. This column, in future releases, will uniquely identify the source system from which data was extracted.
ENABLE	NUMBER	This flag indicates whether the Member is deleted or not enabled. 1 for yes and 0 for no. [Agile PLM] This field is derived and cannot be mapped to another Agile PLM attribute.
INTEGRATION_ID	VARCHAR2	Reserved. This column, in future releases, will be used to uniquely identify dimension or fact entity in its source system.
LAST_MODIFIED_DATE	DATE	Last modified date. [Agile PLM] This field is derived and cannot be mapped to another Agile PLM attribute.
LIST_ID	NUMBER	List ID associated with attribute.
NAME	VARCHAR2	Location Name
PC_LOCATION_ID	NUMBER	Location. Primary key that uniquely identifies the record.
ROW_ID	NUMBER	Reserved. In future releases, this will store Surrogate key to uniquely identify a record.

**PC\_MCO\_CATEGORY\_D**

Manufacturer Change Order Category Dimension Table. This table is conforming across the fact tables in MCO Subject Area. Out of the box, this table is mapped to the List configured to Category attribute of MCO Class of Agile PLM.

Column	Type	Comments
DATASOURCE_NUM_ID	NUMBER	Reserved. This column, in future releases, will uniquely identify the source system from which data was extracted.
ENABLE	NUMBER	This flag indicates whether the Member is deleted or not enabled. 1 for yes and 0 for no. [Agile PLM] This field is derived and cannot be mapped to another Agile PLM attribute.
INTEGRATION_ID	VARCHAR2	Reserved. This column, in future releases, will be used to uniquely identify dimension or fact entity in its source system.
LAST_MODIFIED_DATE	DATE	Last modified date. [Agile PLM] This field is derived and cannot be mapped to another Agile PLM attribute.
LIST_ID	NUMBER	List ID associated with attribute.
NAME	VARCHAR2	Manufacturing Change Order Category Name
PC_MCO_CATEGORY_ID	NUMBER	PC MCO Category. Primary key that uniquely identifies the record.
ROW_ID	NUMBER	Reserved. In future releases, this will store Surrogate key to uniquely identify a record.

**PC\_MCO\_CUSTOMER\_B**

MCE Customer Bridge Table. Maintains data between MCO fact and Customer dimension to resolve many to many relationships. Out of the box, this table is not populated with Agile PLM data. The table is populated when the Agile PLM Multilist type attribute is mapped to the corresponding column in the fact table using BI Configurator.

Column	Type	Comments
CUSTOMER_ID	NUMBER	Customer ID. Foreign key to CUSTOMER_D.
DATASOURCE_NUM_ID	NUMBER	Reserved. This column, in future releases, will uniquely identify the source system from which data was extracted.
INTEGRATION_ID	VARCHAR2	Reserved. This column, in future releases, will be used to uniquely identify dimension or fact entity in its source system.
PC_MCO_ID	NUMBER	PC MCO ID. [Agile PLM] This field maps to the ID attribute in MCO class.
ROW_ID	NUMBER	Reserved. In future releases, this will store Surrogate key to uniquely identify a record.

**PC\_MCO\_F**

MCO Core Fact Table. Stores core facts of MCO, viz., Volume, Aging and Cycle time related measures.

Column	Type	Comments
AML_REDLINE_FLAG	NUMBER	This flag is set to "Yes" or "1", if any one of objects Affected items AML has been redlined. Which is available from Affected Item tab. [Agile PLM] This field is derived and cannot be mapped to another Agile PLM attribute.
BOM_REDLINE_FLAG	NUMBER	This flag is set to "Yes" or "1", if any one of objects Affected items BOM has been redlined. Which is available from Affected Item tab. [Agile PLM] This field is derived and cannot be mapped to another Agile PLM attribute.
CANCEL_FLAG	NUMBER	This flag indicates whether this object is cancelled. 1 for yes and 0 for no. [Agile PLM] This field is derived and cannot be mapped to another Agile PLM attribute.
CAPA_FLAG	NUMBER	This flag is set to "Yes" or "1", if the object is related to CAPA (where this CAPA can be affected by this object or the object is affected by CAPA). Which is available from relationship tab of the object. [Agile PLM] This field is derived and cannot be mapped to another Agile PLM attribute.
COMPLETE_FLAG	NUMBER	This flag indicates whether this object is complete. 1 for yes and 0 for no. [Agile PLM] This field is derived and cannot be mapped to another Agile PLM attribute.
CREATED_TIME_ID	NUMBER	Create time. [Agile PLM] This field maps to the "Date Originated" attribute in Change class. This column cannot be re-mapped to another Agile PLM attribute.
DATASOURCE_NUM_ID	NUMBER	Reserved. This column, in future releases, will uniquely identify the source system from which data was extracted.
DESCRIPTION	VARCHAR2	Description. [Agile PLM] This field maps to the "Description of Change" attribute in Change class. This column cannot be re-mapped to another Agile PLM attribute.
ENGG_IMPL_COST	NUMBER	Engg Implement Cost.
FIELD_REPAIR_COST	NUMBER	Field Repair Cost.
FINAL_COMPLETE_TIME_ID	NUMBER	Final complete date in Julian date format. [Agile PLM] This field maps to the "Final Complete Date" attribute in Change class. This column cannot be re-mapped to another Agile PLM attribute.
IMPL_MANUF_TIME_ID	NUMBER	Implement Manufacture Time ID.
IMPL_QUALITY_TIME_ID	NUMBER	Implement Quality Time ID.
IMPL_SC_TIME_ID	NUMBER	Implement SC Time ID.
INTEGRATION_ID	VARCHAR2	Reserved. This column, in future releases, will be used to uniquely identify dimension or fact entity in its source system.
INT_ORGANIZATION_ID	NUMBER	Internal organisation. Foreign key to INT_ORGANIZATION_D.INT_ORGANIZATION_ID. [Agile PLM] This field is derived and cannot be mapped to another Agile PLM attribute.
LAST_MODIFIED_DATE	DATE	Last modified date. Maps to the UPDATE_DATE attribute in MCO class. [Agile PLM] This field is derived and cannot be mapped to another Agile PLM attribute.
MFG_IMPL_COST	NUMBER	Mfg Implement Cost.
NEVER_RELEASED_ITEM_FLAG	NUMBER	This flag is set to "Yes" or "1", if any one of change object on item (ECO, MCO and SCO) are not released once. Which can be viewed to from Change tab of item. [Agile PLM] This field is derived and cannot be mapped to another Agile PLM attribute.

NO_OF_AML_ADDED	NUMBER	Number of approved manufacturers list (AML) added to item in this change. [Agile PLM] This field is derived and cannot be mapped to another Agile PLM attribute.
NO_OF_AML_DELETED	NUMBER	Number of approved manufacturers list (AML) deleted from item in this change. [Agile PLM] This field is derived and cannot be mapped to another Agile PLM attribute.
NO_OF_AML_MODIFIED	NUMBER	Number of approved manufacturers list (AML) modified for item in this change. [Agile PLM] This field is derived and cannot be mapped to another Agile PLM attribute.
NO_OF_BOM_ADDED	NUMBER	Number of BOM added. [Agile PLM] This field is derived and cannot be mapped to another Agile PLM attribute.
NO_OF_BOM_DELETED	NUMBER	Number of BOM deleted. [Agile PLM] This field is derived and cannot be mapped to another Agile PLM attribute.
NO_OF_BOM_MODIFIED	NUMBER	Number of BOM modified. [Agile PLM] This field is derived and cannot be mapped to another Agile PLM attribute.
NO_OF_ITEMS	NUMBER	Number of effected objects. [Agile PLM] This field is derived and cannot be mapped to another Agile PLM attribute.
NO_OF_REJECTIONS	NUMBER	Number of rejections. [Agile PLM] This field is derived and cannot be mapped to another Agile PLM attribute.
ORIGINATOR_USER_ID	NUMBER	Originator user. Foreign key to USER_D.USER_ID. [Agile PLM] This field maps to the "Originator" attribute in Change class. This column cannot be re-mapped to another Agile PLM attribute.
ORIG_CMPL_DAYS	NUMBER	Duration between Final complete date and Originated date excluding days spent in Hold state when Final complete date is not null and Duration between System date or ETL run date and Originated Date excluding days spent in Hold state when Final complete is null. [Agile PLM] This field is derived and cannot be mapped to another Agile PLM attribute.
ORIG_CMPL_HOLD_DURATION_DAYS	NUMBER	Duration between the final complete date and the originated date when the final date is not null. The duration between the system date or the ETL run date and the originated date when the final complete date is null. [Agile PLM] This field is derived and cannot be mapped to another Agile PLM attribute.
ORIG_RLSE_DAYS	NUMBER	Duration between Released date and Originated date when Released Date is not null and Duration between System date or ETL run date and Originated date when Released date is null excluding the days spent in Hold state. [Agile PLM] This field is derived and cannot be mapped to another Agile PLM attribute.
ORIG_RLSE_HOLD_DURATION_DAYS	NUMBER	Duration between the release date and the originated date when the final date is not null. The duration between the system date or the ETL run date and the originated date when the release date is null. [Agile PLM] This field is derived and cannot be mapped to another Agile PLM attribute.
OWNER_USER_ID	NUMBER	Owner user. Foreign key to USER_D.USER_ID. [Agile PLM] This field maps to the OWNER_ID attribute in MCO class. This field cannot be mapped to another Agile PLM attribute.
PC_LOCATION_ID	NUMBER	Location. Foreign key to PC_LOCATION_D.PC_LOCATION_ID. [Agile PLM] This field cannot be mapped to another Agile PLM attribute.
PC_MCO_CATEGORY_ID	NUMBER	Change category. Foreign key to PC_MCO_CATEGORY_D.PC_MCO_CATEGORY_ID. [Agile PLM] This field maps to the "Change Category" attribute in Change class. This column cannot be re-mapped to another Agile PLM attribute.
PC_MCO_ID	NUMBER	PC MCO ID. [Agile PLM] This field maps to the ID attribute in MCO class.
PC_MCO_NO	VARCHAR2	Change number. [Agile PLM] This field maps to the "Number" attribute in Change class. This column cannot be re-mapped to another Agile PLM attribute.

PC_MCO_PRIORITY_ID	NUMBER	Priority. Foreign key to PC_MCO_PRIORITY_D.PC_MCO_PRIORITY_ID. [Agile PLM] This field maps to the PRIORITY_ID attribute. This field cannot be mapped to another Agile PLM attribute.
PC_MCO_REASON_CODE_ID	NUMBER	Reason code. Foreign key to PC_MCO_REASON_CODE_D.PC_MCO_REASON_CODE_ID. [Agile PLM] This field maps to the "Reason Code" attribute in Change class. This column cannot be re-mapped to another Agile PLM attribute.
PC_MCO_REGTYPE_ID	NUMBER	PC MCO Regtype ID. Foreign key to PC_MCO_REGTYPE_D.PC_MCO_REGTYPE_ID. [Agile PLM] This field cannot be mapped to another Agile PLM attribute.
PC_MCO_SEVFINIMPACT_ID	NUMBER	PC MCO Sevfinimpact ID. Foreign key to PC_MCO_SEVFINIMPACT_D.PC_MCO_SEVFINIMPACT_ID. [Agile PLM] This field cannot be mapped to another Agile PLM attribute.
PC_MCO_TYPE_ID	NUMBER	Change type. Foreign key to PC_MCO_TYPE_D.PC_MCO_TYPE_ID. [Agile PLM] This field maps to the "Change Type" attribute in Change class. This column cannot be re-mapped to another Agile PLM attribute.
PC_MCO_WORKFLOW_ID	NUMBER	Workflow. [Agile PLM] This field is derived and cannot be mapped to another Agile PLM attribute.
PROGRAM_FLAG	NUMBER	This flag is set to "Yes" or "1", if the object is related to Program (where this Program can be affected by this object or the object is affected by Program). Which is available from relationship tab of the object. [Agile PLM] This field is derived and cannot be mapped to another Agile PLM attribute.
REASON	VARCHAR2	Reason. [Agile PLM] This field maps to the "Reason For Change" attribute in Change class. This column cannot be re-mapped to another Agile PLM attribute.
REJECT_FLAG	NUMBER	This flag is set to "Yes" or "1" if any one of the approver on workflow states (review states) rejects when sent for approval. Which is available in workflow tab of object. [Agile PLM] This field is derived and cannot be mapped to another Agile PLM attribute.
RELEASED_FLAG	NUMBER	This flag is set to "Yes" or "1", if the object workflow is in Released state. Which is available from workflow tab of object. [Agile PLM] This field is derived and cannot be mapped to another Agile PLM attribute.
RELEASED_TIME_ID	NUMBER	Release date in Julian date format. [Agile PLM] This field maps to the "Date Released" attribute in Change class. This column cannot be re-mapped to another Agile PLM attribute.
REQUIRED_TIME_ID	NUMBER	Required Time ID.
RLSE_CMPL_DAYS	NUMBER	Number of days object is release compliant. [Agile PLM] This field is derived and cannot be mapped to another Agile PLM attribute.
RLSE_CMPL_HOLD_DURATION_DAYS	NUMBER	Number of days object is on hold in release-compliant state. [Agile PLM] This field is derived and cannot be mapped to another Agile PLM attribute.
ROW_ID	NUMBER	Reserved. In future releases, this will store Surrogate key to uniquely identify a record.
SBMT_RLSE_DAYS	NUMBER	Duration between Released date and Submit date excluding the days spent in Hold state when Released date is not null and Duration between System date or ETL run date and Submit date excluding the days spent in Hold state when Released date is null. [Agile PLM] This field is derived and cannot be mapped to another Agile PLM attribute.
SBMT_RLSE_HOLD_DURATION_DAYS	NUMBER	Duration between Released date and Submit date when Released date is not null and Duration between System date or ETL run date and Submit date when Released date is null. [Agile PLM] This field is derived and cannot be mapped to another Agile PLM attribute.
SCHEDULE_IMPACT	NUMBER	Schedule Impact.

SOFT_DELETE_FLAG	NUMBER	This flag indicates whether this object is soft-deleted. 1 for yes and 0 for no. Maps to the DELETE_FLAG attribute in MCO class. [Agile PLM] This field is derived and cannot be mapped to another Agile PLM attribute.
SUBMIT_TIME_ID	NUMBER	Submit time. [Agile PLM] This field maps to the "Date Submitted" attribute in Change class. This column cannot be re-mapped to another Agile PLM attribute.
SUPP_CHANGE_COST	NUMBER	Supplier Change Cost.
URGENT_FLAG	NUMBER	This flag is set to "Yes" or "1", if we select "Urgent" check box while routing object workflow(review) state for Approval. [Agile PLM] This field is derived and cannot be mapped to another Agile PLM attribute.
VALID_FLAG	NUMBER	This flag indicates whether this object is valid. 1 for yes and 0 for no. [Agile PLM] This field is derived and cannot be mapped to another Agile PLM attribute.

**PC\_MCO\_FIELD\_D**

MCO Fields Dimension Table. This table is conforming across the fact tables in MCO Subject Area. Out of the box, this table is not populated with Agile PLM data. The table is populated only when the Agile PLM attributes are mapped using BI Configurator.

Column	Type	Comments
DATASOURCE_NUM_ID	NUMBER	Reserved. This column, in future releases, will uniquely identify the source system from which data was extracted.
ENABLE	NUMBER	This flag indicates whether the Member is deleted or not enabled. 1 for yes and 0 for no. [Agile PLM] This field is derived and cannot be mapped to another Agile PLM attribute.
INTEGRATION_ID	VARCHAR2	Reserved. This column, in future releases, will be used to uniquely identify dimension or fact entity in its source system.
LAST_MODIFIED_DATE	DATE	Last modified date. [Agile PLM] This field is derived and cannot be mapped to another Agile PLM attribute.
LIST_ID	NUMBER	List ID associated with attribute.
NAME	VARCHAR2	Manufacturing Change Order Field Name
PC_MCO_FIELD_ID	NUMBER	PC MCO Field. Primary key that uniquely identifies the record.
ROW_ID	NUMBER	Reserved. In future releases, this will store Surrogate key to uniquely identify a record.

***PC\_MCO\_FINISHEDGOODS\_D***

MCO Finished Goods Dimension Table. This table is conforming across the fact tables in MCO Subject Area. Out of the box, this table is not populated with Agile PLM data. The table is populated only when the Agile PLM attributes are mapped using BI Configurator.

Column	Type	Comments
DATASOURCE_NUM_ID	NUMBER	Reserved. This column, in future releases, will uniquely identify the source system from which data was extracted.
ENABLE	NUMBER	This flag indicates whether the Member is deleted or not enabled. 1 for yes and 0 for no. [Agile PLM] This field is derived and cannot be mapped to another Agile PLM attribute.
INTEGRATION_ID	VARCHAR2	Reserved. This column, in future releases, will be used to uniquely identify dimension or fact entity in its source system.
LAST_MODIFIED_DATE	DATE	Last modified date. [Agile PLM] This field is derived and cannot be mapped to another Agile PLM attribute.
LIST_ID	NUMBER	List ID associated with attribute.
NAME	VARCHAR2	Manufacturing Change Order Finished Goods Name
PC_MCO_FINISHEDGOODS_ID	NUMBER	PC MCO Finishedgoods. Primary key that uniquely identifies the record.
ROW_ID	NUMBER	Reserved. In future releases, this will store Surrogate key to uniquely identify a record.

**PC\_MCO\_FUNCTION\_D**

MCO Functions Dimension Table. This table is conforming across the fact tables in MCO Subject Area. Out of the box, this table is not populated with Agile PLM data. The table is populated only when the Agile PLM attributes are mapped using BI Configurator.

Column	Type	Comments
DATASOURCE_NUM_ID	NUMBER	Reserved. This column, in future releases, will uniquely identify the source system from which data was extracted.
ENABLE	NUMBER	This flag indicates whether the Member is deleted or not enabled. 1 for yes and 0 for no. [Agile PLM] This field is derived and cannot be mapped to another Agile PLM attribute.
INTEGRATION_ID	VARCHAR2	Reserved. This column, in future releases, will be used to uniquely identify dimension or fact entity in its source system.
LAST_MODIFIED_DATE	DATE	Last modified date. [Agile PLM] This field is derived and cannot be mapped to another Agile PLM attribute.
LIST_ID	NUMBER	List ID associated with attribute.
NAME	VARCHAR2	Manufacturing Change Order Function Name
PC_MCO_FUNCTION_ID	NUMBER	PC MCO Function. Primary key that uniquely identifies the record.
ROW_ID	NUMBER	Reserved. In future releases, this will store Surrogate key to uniquely identify a record.

**PC\_MCO\_ITEM\_DATA**

MCO Item Data Table. This Temporary table, reserved for ETL process, is used for configuring Agile PLM flex attributes between Item and Manufacturing Changes (MCO) relationship.

Column	Type	Comments
AI_AML_ADDED	NUMBER	Number of approved manufacturers list (AML) added to item in this change. [Agile PLM] This field is derived and cannot be mapped to another Agile PLM attribute.
AI_AML_DELETED	NUMBER	Number of approved manufacturers list (AML) deleted from item in this change. [Agile PLM] This field is derived and cannot be mapped to another Agile PLM attribute.
AI_AML_MODIFIED	NUMBER	Number of approved manufacturers list (AML) modified for item in this change. [Agile PLM] This field is derived and cannot be mapped to another Agile PLM attribute.
AI_BOM_ADDED	NUMBER	
AI_BOM_DELETED	NUMBER	
AI_BOM_MODIFIED	NUMBER	
CANCEL_FLAG	NUMBER	This flag indicates whether this object is cancelled. 1 for yes and 0 for no. [Agile PLM] This field maps to the "Cancelled" attribute in Change class in Affected Item tab. This field cannot be re-mapped to another Agile PLM attribute.
COMPLIANCY_CALC_DATE_ID	NUMBER	Compliance Calculation Date in Julian Date format. [Agile PLM] This field maps to the "Compliance Calculation Date" attribute in Change class in Affected Item tab. This field cannot be re-mapped to another Agile PLM attribute.
COMPLIANCY_FLAG	NUMBER	This flag indicates whether the object has compliance. 1 for yes and 0 for no. [Agile PLM] This field maps to the "Compliance" attribute in Change class in Affected Item tab. This field cannot be re-mapped to another Agile PLM attribute.
COST_IMPACT_FG	NUMBER	Cost Impact FG. [Agile PLM] This field maps to the "Cost Impact Fg" attribute in Change class in Affected Item tab. This field cannot be re-mapped to another Agile PLM attribute.
COST_IMPACT_FIELD	NUMBER	Cost Impact Field. [Agile PLM] This field maps to the "Cost Impact Field" attribute in Change class in Affected Item tab. This field cannot be re-mapped to another Agile PLM attribute.
COST_IMPACT_ONDEMAND	NUMBER	Cost Impact On Demand. [Agile PLM] This field maps to the "Cost Impact On Demand" attribute in Change class in Affected Item tab. This field cannot be re-mapped to another Agile PLM attribute.
COST_IMPACT_STOCK	NUMBER	Cost Impact Stock. [Agile PLM] This field maps to the "Cost Impact Stock" attribute in Change class in Affected Item tab. This field cannot be re-mapped to another Agile PLM attribute.
COST_IMPACT_WIP	NUMBER	Cost Impact Work In Progress. [Agile PLM] This field maps to the "Cost Impact Work In Progress" attribute in Change class in Affected Item tab. This field cannot be re-mapped to another Agile PLM attribute.
DATASOURCE_NUM_ID	NUMBER	Reserved. This column, in future releases, will uniquely identify the source system from which data was extracted.
DESCRIPTION	VARCHAR2	Description. [Agile PLM] This field maps to the "Description" attribute in Change class in Affected Item tab. This field cannot be re-mapped to another Agile PLM attribute.
INCORP_DATE_ID	NUMBER	Incorporated Date in Julian Date format. [Agile PLM] This field maps to the "Incorporated Date" attribute in Change class in Affected Item tab. This field cannot be re-mapped to another Agile PLM attribute.

INTEGRATION_ID	VARCHAR2	Reserved. This column, in future releases, will be used to uniquely identify dimension or fact entity in its source system.
ITEM_ID	NUMBER	Item ID.
ITEM_TLA_ID	NUMBER	Item TLA. Foreign key to FLAG_D.FLAG_ID. [Agile PLM] This field maps to the IS_TLA_ID attribute in ITEM class in Affected Item tab. This field cannot be re-mapped to another Agile PLM attribute.
LAST_MODIFIED_DATE	DATE	Last modified date. [Agile PLM] This field maps to the "Last Modified Date" attribute in Change class in Affected Item tab. This field cannot be re-mapped to another Agile PLM attribute.
LATEST_FLAG	NUMBER	This flag indicates whether the object is the latest version. [Agile PLM] This field maps to the "Latest Flag" attribute in Change class in Affected Item tab. This field cannot be re-mapped to another Agile PLM attribute.
NEW_EFFECTIVE_DATE_ID	NUMBER	New Effective Date in Julian Date format. [Agile PLM] This field maps to the "New Effective Date" attribute in Change class in Affected Item tab. This field cannot be re-mapped to another Agile PLM attribute.
NORMALIZED_WEIGHT	NUMBER	Normalized Weight. [Agile PLM] This field maps to the "Normalized Weight" attribute in Change class in Affected Item tab. This field cannot be re-mapped to another Agile PLM attribute.
OBSELETE_DATE_ID	NUMBER	Obselete Date in Julian Date format. [Agile PLM] This field maps to the "Obselete Date" attribute in Change class in Affected Item tab. This field cannot be re-mapped to another Agile PLM attribute.
OLD_DESCRIPTION	VARCHAR2	Old Description. [Agile PLM] This field maps to the "Old Description" attribute in Change class in Affected Item tab. This field cannot be re-mapped to another Agile PLM attribute.
OLD_EFFECTIVE_DATE_ID	NUMBER	Old Effective Date in Julian Date format. [Agile PLM] This field maps to the "Old Effective Date" attribute in Change class in Affected Item tab. This field cannot be re-mapped to another Agile PLM attribute.
OLD_REV_ID	NUMBER	Old Rev. [Agile PLM] This field maps to the "Old Rev" attribute in Change class in Affected Item tab. This field cannot be re-mapped to another Agile PLM attribute.
PC_MCO_FIELD_ID	NUMBER	PC MCO Field. [Agile PLM] This field maps to the "Field" attribute in Change class in Affected Item tab. This field cannot be re-mapped to another Agile PLM attribute.
PC_MCO_FINISHGOODS_ID	NUMBER	PC MCO Finished Goods. [Agile PLM] This field maps to the "Finished Goods" attribute in Change class in Affected Item tab. This field cannot be re-mapped to another Agile PLM attribute.
PC_MCO_FUNCTION_ID	NUMBER	PC MCO Function. [Agile PLM] This field maps to the "Function" attribute in Change class in Affected Item tab. This field cannot be re-mapped to another Agile PLM attribute.
PC_MCO_ID	NUMBER	Change ID. [Agile PLM] This field maps to the "ID" attribute in Change class in Affected Item tab. This field cannot be re-mapped to another Agile PLM attribute.
PC_MCO_NEW_LIFECYCLE_ID	NUMBER	PC MCO New Lifecycle. [Agile PLM] This field maps to the "New Lifecycle" attribute in Change class in Affected Item tab. This field cannot be re-mapped to another Agile PLM attribute.
PC_MCO_OLD_LIFECYCLE_ID	NUMBER	PC MCO Old Lifecycle. [Agile PLM] This field maps to the "Old Lifecycle" attribute in Change class in Affected Item tab. This field cannot be re-mapped to another Agile PLM attribute.
PC_MCO_ONORDER_ID	NUMBER	PC MCO On Order. [Agile PLM] This field maps to the "On Order" attribute in Change class in Affected Item tab. This field cannot be re-mapped to another Agile PLM attribute.
PC_MCO_STOCK_ID	NUMBER	PC MCO Stock. [Agile PLM] This field maps to the "Stock" attribute in Change class in Affected Item tab. This field cannot be re-mapped to another Agile PLM attribute.

PC_MCO_WIP_ID	NUMBER	PC MCO Work In Progress. [Agile PLM] This field maps to the "Work In Progress" attribute in Change class in Affected Item tab. This field cannot be re-mapped to another Agile PLM attribute.
REV_ID	NUMBER	Revision this object is associated with. [Agile PLM] This field maps to the "Rev" attribute in Change class in Affected Item tab. This field cannot be re-mapped to another Agile PLM attribute.
REV_INCORPORATED_FLAG	NUMBER	This flag indicates whether the object is in an incorporated revision. [Agile PLM] This field maps to the "Rev Incorporated Flag" attribute in Change class in Affected Item tab. This field cannot be re-mapped to another Agile PLM attribute.
REV_RELEASED_FLAG	NUMBER	This flag is set to "Yes" or "1", if the object workflow is in Released state. [Agile PLM] This field maps to the "Rev Released Flag" attribute in Change class in Affected Item tab. This field cannot be re-mapped to another Agile PLM attribute.
REV_RELEASE_DATE_ID	NUMBER	Rev Release Date in Julian Date format. [Agile PLM] This field maps to the "Rev Release Date" attribute in Change class in Affected Item tab. This field cannot be re-mapped to another Agile PLM attribute.
ROW_ID	NUMBER	Reserved. In future releases, this will store Surrogate key to uniquely identify a record.
SITE_ID	NUMBER	Site. [Agile PLM] This field maps to the "Site" attribute in Change class in Affected Item tab. This field cannot be re-mapped to another Agile PLM attribute.
TOTAL_COST	NUMBER	Total Cost. [Agile PLM] This field maps to the "Total Cost" attribute in Change class in Affected Item tab. This field cannot be re-mapped to another Agile PLM attribute.
VALID_FLAG	NUMBER	This flag indicates whether this object is valid. [Agile PLM] This field maps to the "Valid Flag" attribute in Change class in Affected Item tab. This field cannot be re-mapped to another Agile PLM attribute.
WEIGHT	NUMBER	Weight. [Agile PLM] This field maps to the "Weight" attribute in Change class in Affected Item tab. This field cannot be re-mapped to another Agile PLM attribute.
WEIGHT_UOM	NUMBER	Weight Unit of Measure. [Agile PLM] This field maps to the "Weight UOM" attribute in Change class in Affected Item tab. This field cannot be re-mapped to another Agile PLM attribute.

***PC\_MCO\_ITEM\_PRODUCTLINE\_B***

MCO Item Productline Bridge Table. Maintains data between MCO fact and Item Productline dimension to resolve many to many relationships. Out of the box, this table is not populated with Agile PLM data. The table is populated when the Agile PLM Multilist type attribute is mapped to the corresponding column in the fact table using BI Configurator.

<b>Column</b>	<b>Type</b>	<b>Comments</b>
DATASOURCE_NUM_ID	NUMBER	Reserved. This column, in future releases, will uniquely identify the source system from which data was extracted.
INTEGRATION_ID	VARCHAR2	Reserved. This column, in future releases, will be used to uniquely identify dimension or fact entity in its source system.
ITEM_ID	NUMBER	Foreign key to ITEM_D, serves as the primary key (with PQM_AUDIT_ID).
ITEM_PRODUCTLINE_ID	NUMBER	Item Productline ID. Foreign key to ITEM_PRODUCTLINE_D.
ROW_ID	NUMBER	Reserved. In future releases, this will store Surrogate key to uniquely identify a record.

**PC\_MCO\_MANUF\_OWNER\_B**

MCO Manufacturer Owner Bridge Table. Maintains data between MCO fact and Manufacturer Owner dimension to resolve many to many relationships. Out of the box, this table is not populated with Agile PLM data. The table is populated when the Agile PLM Multilist type attribute is mapped to the corresponding column in the fact table using BI Configurator.

Column	Type	Comments
DATASOURCE_NUM_ID	NUMBER	Reserved. This column, in future releases, will uniquely identify the source system from which data was extracted.
INTEGRATION_ID	VARCHAR2	Reserved. This column, in future releases, will be used to uniquely identify dimension or fact entity in its source system.
PC_MCO_ID	NUMBER	PC MCO ID. [Agile PLM] This field maps to the ID attribute in MCO class.
ROW_ID	NUMBER	Reserved. In future releases, this will store Surrogate key to uniquely identify a record.
USER_ID	NUMBER	User.

**PC\_MCO\_MFRLOCIMPACT\_B**

MCO Manufacturer Locations Impacted Bridge Table. Maintains data between MCO fact and Manufacturer Location Impact dimension Impact to resolve many to many relationships. Out of the box, this table is not populated with Agile PLM data. The table is populated when the Agile PLM Multilist type attribute is mapped to the corresponding column in the fact table using BI Configurator.

Column	Type	Comments
DATASOURCE_NUM_ID	NUMBER	Reserved. This column, in future releases, will uniquely identify the source system from which data was extracted.
INTEGRATION_ID	VARCHAR2	Reserved. This column, in future releases, will be used to uniquely identify dimension or fact entity in its source system.
PC_MCO_ID	NUMBER	PC MCO ID. [Agile PLM] This field maps to the ID attribute in MCO class.
PC_MCO_MFRLOCIMPACT_ID	NUMBER	PC MCO Manufacturer Location Impact ID.
ROW_ID	NUMBER	Reserved. In future releases, this will store Surrogate key to uniquely identify a record.

**PC\_MCO\_MFRLOCIMPACT\_D**

MCO Manufacturing Locations Impacted Dimension Table. This table is conforming across the fact tables in MCO Subject Area. Out of the box, this table is not populated with Agile PLM data. The table is populated only when the Agile PLM attributes are mapped using BI Configurator.

Column	Type	Comments
DATASOURCE_NUM_ID	NUMBER	Reserved. This column, in future releases, will uniquely identify the source system from which data was extracted.
ENABLE	NUMBER	This flag indicates whether the Member is deleted or not enabled. 1 for yes and 0 for no. [Agile PLM] This field is derived and cannot be mapped to another Agile PLM attribute.
INTEGRATION_ID	VARCHAR2	Reserved. This column, in future releases, will be used to uniquely identify dimension or fact entity in its source system.
LAST_MODIFIED_DATE	DATE	Last Modified Date. [Agile PLM] This field is derived and cannot be mapped to another Agile PLM attribute.
LIST_ID	NUMBER	List ID associated with attribute.
NAME	VARCHAR2	Manufacturing Change Order Manufacturing Location Impact Name
PC_MCO_MFRLOCIMPACT_ID	NUMBER	PC MCO Manufacturer Location Impact ID. Primary key that uniquely identifies the record.
ROW_ID	NUMBER	Reserved. In future releases, this will store Surrogate key to uniquely identify a record.

***PC\_MCO\_ONORDER\_D***

MCO On Orders Dimension Table. This table is conforming across the fact tables in MCO Subject Area. Out of the box, this table is not populated with Agile PLM data. The table is populated only when the Agile PLM attributes are mapped using BI Configurator.

Column	Type	Comments
DATASOURCE_NUM_ID	NUMBER	Reserved. This column, in future releases, will uniquely identify the source system from which data was extracted.
ENABLE	NUMBER	This flag indicates whether the Member is deleted or not enabled. 1 for yes and 0 for no. [Agile PLM] This field is derived and cannot be mapped to another Agile PLM attribute.
INTEGRATION_ID	VARCHAR2	Reserved. This column, in future releases, will be used to uniquely identify dimension or fact entity in its source system.
LAST_MODIFIED_DATE	DATE	Last modified date. [Agile PLM] This field is derived and cannot be mapped to another Agile PLM attribute.
LIST_ID	NUMBER	List ID associated with attribute.
NAME	VARCHAR2	Manufacturing Change Order Onorder name
PC_MCO_ONORDER_ID	NUMBER	PC MCO Onorder. Primary key that uniquely identifies the record.
ROW_ID	NUMBER	Reserved. In future releases, this will store Surrogate key to uniquely identify a record.

**PC\_MCO\_PRGTASK\_B**

MCO Program Task Bridge Table. Maintains data between MCO fact and Program Task dimension to resolve many to many relationships. Out of the box, this table is not populated with Agile PLM data. The table is populated when the Agile PLM Multilist type attribute is mapped to the corresponding column in the fact table using BI Configurator.

Column	Type	Comments
DATASOURCE_NUM_ID	NUMBER	Reserved. This column, in future releases, will uniquely identify the source system from which data was extracted.
INTEGRATION_ID	VARCHAR2	Reserved. This column, in future releases, will be used to uniquely identify dimension or fact entity in its source system.
PC_MCO_ID	NUMBER	PC MCO ID. [Agile PLM] This field maps to the ID attribute in MCO class.
PC_MCO_PRGTASK_ID	NUMBER	PC MCO Program Task ID.
ROW_ID	NUMBER	Reserved. In future releases, this will store Surrogate key to uniquely identify a record.

**PC\_MCO\_PRGTASK\_D**

MCO Program Task Dimension Table. This table is conforming across the fact tables in MCO Subject Area. Out of the box, this table is not populated with Agile PLM data. The table is populated only when the Agile PLM attributes are mapped using BI Configurator.

Column	Type	Comments
DATASOURCE_NUM_ID	NUMBER	Reserved. This column, in future releases, will uniquely identify the source system from which data was extracted.
ENABLE	NUMBER	This flag indicates whether the Member is deleted or not enabled. 1 for yes and 0 for no. [Agile PLM] This field is derived and cannot be mapped to another Agile PLM attribute.
INTEGRATION_ID	VARCHAR2	Reserved. This column, in future releases, will be used to uniquely identify dimension or fact entity in its source system.
LAST_MODIFIED_DATE	DATE	Last Modified Date. [Agile PLM] This field is derived and cannot be mapped to another Agile PLM attribute.
LIST_ID	NUMBER	List ID associated with attribute.
NAME	VARCHAR2	Manufacturing Change Order Program Task Name
PC_MCO_PRGTASK_ID	NUMBER	PC MCO Program Task ID. Primary key that uniquely identifies the record.
ROW_ID	NUMBER	Reserved. In future releases, this will store Surrogate key to uniquely identify a record.

**PC\_MCO\_PRIORITY\_D**

MCO Priority Dimension Table. This table is conforming across the fact tables in MCO Subject Area. Out of the box, this table is not populated with Agile PLM data. The table is populated only when the Agile PLM attributes are mapped using BI Configurator.

Column	Type	Comments
DATASOURCE_NUM_ID	NUMBER	Reserved. This column, in future releases, will uniquely identify the source system from which data was extracted.
ENABLE	NUMBER	This flag indicates whether the Member is deleted or not enabled. 1 for yes and 0 for no. [Agile PLM] This field is derived and cannot be mapped to another Agile PLM attribute.
INTEGRATION_ID	VARCHAR2	Reserved. This column, in future releases, will be used to uniquely identify dimension or fact entity in its source system.
LAST_MODIFIED_DATE	DATE	Last modified date. [Agile PLM] This field is derived and cannot be mapped to another Agile PLM attribute.
LIST_ID	NUMBER	List ID associated with attribute.
NAME	VARCHAR2	Manufacturing Change Order Priority Name
PC_MCO_PRIORITY_ID	NUMBER	PC MCO Priority. Primary key that uniquely identifies the record.
ROW_ID	NUMBER	Reserved. In future releases, this will store Surrogate key to uniquely identify a record.

**PC\_MCO\_PRODUCTLINE\_B**

MCO Productline Bridge Table. Maintains data between MCO fact and Productline dimension to resolve many to many relationships. Out of the box, this table is not populated with Agile PLM data. The table is populated when the Agile PLM Multilist type attribute is mapped to the corresponding column in the fact table using BI Configurator.

Column	Type	Comments
DATASOURCE_NUM_ID	NUMBER	Reserved. This column, in future releases, will uniquely identify the source system from which data was extracted.
INTEGRATION_ID	VARCHAR2	Reserved. This column, in future releases, will be used to uniquely identify dimension or fact entity in its source system.
PC_MCO_ID	NUMBER	PC MCO ID. [Agile PLM] This field maps to the ID attribute in MCO class.
PC_PRODUCTLINE_ID	NUMBER	PC Productline ID.
ROW_ID	NUMBER	Reserved. In future releases, this will store Surrogate key to uniquely identify a record.

***PC\_MCO\_PROGRAM\_B***

MCO Programs Bridge Table. Maintains data between MCO fact and Program dimension to resolve many to many relationships. Out of the box, this table is not populated with Agile PLM data. The table is populated when the Agile PLM Multilist type attribute is mapped to the corresponding column in the fact table using BI Configurator.

<b>Column</b>	<b>Type</b>	<b>Comments</b>
DATASOURCE_NUM_ID	NUMBER	Reserved. This column, in future releases, will uniquely identify the source system from which data was extracted.
INTEGRATION_ID	VARCHAR2	Reserved. This column, in future releases, will be used to uniquely identify dimension or fact entity in its source system.
PC_MCO_ID	NUMBER	PC MCO ID. [Agile PLM] This field maps to the ID attribute in MCO class.
PC_MCO_PROGRAM_ID	NUMBER	PC MCO Program.
ROW_ID	NUMBER	Reserved. In future releases, this will store Surrogate key to uniquely identify a record.

**PC\_MCO\_PROGRAM\_D**

MCO Programs Dimension Table. This table is conforming across the fact tables in MCO Subject Area. Out of the box, this table is not populated with Agile PLM data. The table is populated only when the Agile PLM attributes are mapped using BI Configurator.

Column	Type	Comments
DATASOURCE_NUM_ID	NUMBER	Reserved. This column, in future releases, will uniquely identify the source system from which data was extracted.
ENABLE	NUMBER	This flag indicates whether the Member is deleted or not enabled. 1 for yes and 0 for no. [Agile PLM] This field is derived and cannot be mapped to another Agile PLM attribute.
INTEGRATION_ID	VARCHAR2	Reserved. This column, in future releases, will be used to uniquely identify dimension or fact entity in its source system.
LAST_MODIFIED_DATE	DATE	Last modified date. [Agile PLM] This field is derived and cannot be mapped to another Agile PLM attribute.
LIST_ID	NUMBER	List ID associated with attribute.
NAME	VARCHAR2	Manufacturing Change Order Program Name
PC_MCO_PROGRAM_ID	NUMBER	PC MCO Program. Primary key that uniquely identifies the record.
ROW_ID	NUMBER	Reserved. In future releases, this will store Surrogate key to uniquely identify a record.

**PC\_MCO\_QUALITY\_OWNER\_B**

MCO Quality Owner Bridge Table. Maintains data between MCO fact and Quality Owner dimension to resolve many to many relationships. Out of the box, this table is not populated with Agile PLM data. The table is populated when the Agile PLM Multilist type attribute is mapped to the corresponding column in the fact table using BI Configurator.

Column	Type	Comments
DATASOURCE_NUM_ID	NUMBER	Reserved. This column, in future releases, will uniquely identify the source system from which data was extracted.
INTEGRATION_ID	VARCHAR2	Reserved. This column, in future releases, will be used to uniquely identify dimension or fact entity in its source system.
PC_MCO_ID	NUMBER	PC MCO ID. [Agile PLM] This field maps to the ID attribute in MCO class.
ROW_ID	NUMBER	Reserved. In future releases, this will store Surrogate key to uniquely identify a record.
USER_ID	NUMBER	User.

**PC\_MCO\_REASON\_CODE\_D**

MCO Reason Codes Dimension Table. This table is conforming across the fact tables in MCO Subject Area. Out of the box, this table is mapped to the List configured to Reason Codes attribute of the MCO Class.

Column	Type	Comments
DATASOURCE_NUM_ID	NUMBER	Reserved. This column, in future releases, will uniquely identify the source system from which data was extracted.
ENABLE	NUMBER	This flag indicates whether the Member is deleted or not enabled. 1 for yes and 0 for no. [Agile PLM] This field is derived and cannot be mapped to another Agile PLM attribute.
INTEGRATION_ID	VARCHAR2	Reserved. This column, in future releases, will be used to uniquely identify dimension or fact entity in its source system.
LAST_MODIFIED_DATE	DATE	Last modified date. [Agile PLM] This field is derived and cannot be mapped to another Agile PLM attribute.
LIST_ID	NUMBER	List ID associated with attribute.
NAME	VARCHAR2	Manufacturing Change Order Reason Code Name
PC_MCO_REASON_CODE_ID	NUMBER	PC MCO Reason Code. Primary key that uniquely identifies the record.
ROW_ID	NUMBER	Reserved. In future releases, this will store Surrogate key to uniquely identify a record.

**PC\_MCO\_REGTYPE\_D**

MCO Regulation Type Dimension Table. This table is conforming across the fact tables in MCO Subject Area. Out of the box, this table is not populated with Agile PLM data. The table is populated only when the Agile PLM attributes are mapped using BI Configurator.

Column	Type	Comments
DATASOURCE_NUM_ID	NUMBER	Reserved. This column, in future releases, will uniquely identify the source system from which data was extracted.
ENABLE	NUMBER	This flag indicates whether the Member is deleted or not enabled. 1 for yes and 0 for no. [Agile PLM] This field is derived and cannot be mapped to another Agile PLM attribute.
INTEGRATION_ID	VARCHAR2	Reserved. This column, in future releases, will be used to uniquely identify dimension or fact entity in its source system.
LAST_MODIFIED_DATE	DATE	Last Modified Date. [Agile PLM] This field is derived and cannot be mapped to another Agile PLM attribute.
LIST_ID	NUMBER	List ID associated with attribute.
NAME	VARCHAR2	Manufacturing Change Order Regulation Type Name
PC_MCO_REGTYPE_ID	NUMBER	PC MCO Regtype ID. Primary key that uniquely identifies the record.
ROW_ID	NUMBER	Reserved. In future releases, this will store Surrogate key to uniquely identify a record.

**PC\_MCO\_SALESREGIMPACT\_B**

MCO Sales Regions Impacted Bridge Table. Maintains data between MCO fact and Sales Region Impact dimension to resolve many to many relationships. Out of the box, this table is not populated with Agile PLM data. The table is populated when the Agile PLM Multilist type attribute is mapped to the corresponding column in the fact table using BI Configurator.

Column	Type	Comments
DATASOURCE_NUM_ID	NUMBER	Reserved. This column, in future releases, will uniquely identify the source system from which data was extracted.
INTEGRATION_ID	VARCHAR2	Reserved. This column, in future releases, will be used to uniquely identify dimension or fact entity in its source system.
PC_MCO_ID	NUMBER	PC MCO ID. [Agile PLM] This field maps to the ID attribute in MCO class.
PC_MCO_SALESREGIMPACT_ID	NUMBER	PC MCO Sales Region Impact ID.
ROW_ID	NUMBER	Reserved. In future releases, this will store Surrogate key to uniquely identify a record.

**PC\_MCO\_SALESREGIMPACT\_D**

MCO Sales Regions Impacted Dimension Table. This table is conforming across the fact tables in MCO Subject Area. Out of the box, this table is not populated with Agile PLM data. The table is populated only when the Agile PLM attributes are mapped using BI Configurator.

Column	Type	Comments
DATASOURCE_NUM_ID	NUMBER	Reserved. This column, in future releases, will uniquely identify the source system from which data was extracted.
ENABLE	NUMBER	This flag indicates whether the Member is deleted or not enabled. 1 for yes and 0 for no. [Agile PLM] This field is derived and cannot be mapped to another Agile PLM attribute.
INTEGRATION_ID	VARCHAR2	Reserved. This column, in future releases, will be used to uniquely identify dimension or fact entity in its source system.
LAST_MODIFIED_DATE	DATE	Last Modified Date. [Agile PLM] This field is derived and cannot be mapped to another Agile PLM attribute.
LIST_ID	NUMBER	List ID associated with attribute.
NAME	VARCHAR2	Manufacturing Change Order Sales Region Impact Name
PC_MCO_SALESREGIMPACT_ID	NUMBER	PC MCO Sales Region Impact ID. Primary key that uniquely identifies the record.
ROW_ID	NUMBER	Reserved. In future releases, this will store Surrogate key to uniquely identify a record.

***PC\_MCO\_SC\_OWNER\_B***

MCO SC Owner Bridge Table. Maintains data between MCO fact and SC Owner dimension to resolve many to many relationships. Out of the box, this table is not populated with Agile PLM data. The table is populated when the Agile PLM Multilist type attribute is mapped to the corresponding column in the fact table using BI Configurator.

<b>Column</b>	<b>Type</b>	<b>Comments</b>
DATASOURCE_NUM_ID	NUMBER	Reserved. This column, in future releases, will uniquely identify the source system from which data was extracted.
INTEGRATION_ID	VARCHAR2	Reserved. This column, in future releases, will be used to uniquely identify dimension or fact entity in its source system.
PC_MCO_ID	NUMBER	PC MCO ID. [Agile PLM] This field maps to the ID attribute in MCO class.
ROW_ID	NUMBER	Reserved. In future releases, this will store Surrogate key to uniquely identify a record.
USER_ID	NUMBER	User.

**PC\_MCO\_SEVFINIMPACT\_D**

MCO Severity of Financial Impact Dimension Table. This table is conforming across the fact tables in MCO Subject Area. Out of the box, this table is not populated with Agile PLM data. The table is populated only when the Agile PLM attributes are mapped using BI Configurator.

Column	Type	Comments
DATASOURCE_NUM_ID	NUMBER	Reserved. This column, in future releases, will uniquely identify the source system from which data was extracted.
ENABLE	NUMBER	This flag indicates whether the Member is deleted or not enabled. 1 for yes and 0 for no. [Agile PLM] This field is derived and cannot be mapped to another Agile PLM attribute.
INTEGRATION_ID	VARCHAR2	Reserved. This column, in future releases, will be used to uniquely identify dimension or fact entity in its source system.
LAST_MODIFIED_DATE	DATE	Last Modified Date. [Agile PLM] This field is derived and cannot be mapped to another Agile PLM attribute.
LIST_ID	NUMBER	List ID associated with attribute.
NAME	VARCHAR2	Manufacturing Change Order Severity of Financial Impact Name
PC_MCO_SEVFINIMPACT_ID	NUMBER	PC MCO Sevfinimpact ID. Primary key that uniquely identifies the record.
ROW_ID	NUMBER	Reserved. In future releases, this will store Surrogate key to uniquely identify a record.

**PC\_MCO\_SIGNOFF\_B**

MCO Signoff Bridge Table. Maintains data between MCO and Signoff to resolve many to many relationships. Out of the box, this table is not populated with Agile PLM data. The table is populated when the Agile PLM Multilist type attribute is mapped to the corresponding column in the fact table using BI Configurator.

Column	Type	Comments
PC_MCO_ID	NUMBER	PC MCO ID. [Agile PLM] This field maps to the ID attribute in MCO class.
SIGNOFF_USER_ID	NUMBER	Signoff User.
SIGNOFF_USER_TYPE_ID	NUMBER	Signoff User Type.

**PC\_MCO\_SIGNOFF\_DATA**

MCO Signoff Data Table. This Temporary table, reserved for ETL process, is used for processing Manufacturing Changes (MCO) signoff data.

Column	Type	Comments
CUR_WKFLW_STATE_FLG	NUMBER	
DATASOURCE_NUM_ID	NUMBER	Reserved. This column, in future releases, will uniquely identify the source system from which data was extracted.
EVENT_TYPE_ID	NUMBER	Event type. Foreign key to EVENT_TYPE_D.EVENT_TYPE_ID. [Agile PLM] This field cannot be mapped to another Agile PLM attribute.
INTEGRATION_ID	VARCHAR2	Reserved. This column, in future releases, will be used to uniquely identify dimension or fact entity in its source system.
LAST_MODIFIED_DATE	DATE	Last modified date. [Agile PLM] This field is derived and cannot be mapped to another Agile PLM attribute.
PC_MCO_ID	NUMBER	PC MCO ID. [Agile PLM] This field maps to the ID attribute in MCO class.
PC_MCO_WORKFLOW_ID	NUMBER	PC MCO Workflow. [Agile PLM] This field is derived and cannot be mapped to another Agile PLM attribute.
REJECT_FLAG	NUMBER	This flag is set to "Yes" or "1" if any one of the approver on workflow states (review states) rejects when sent for approval. Which is available in workflow tab of object. [Agile PLM] This field is derived and cannot be mapped to another Agile PLM attribute.
ROW_ID	NUMBER	Reserved. In future releases, this will store Surrogate key to uniquely identify a record.
SEQ_NUMBER	NUMBER	Sequence Number. [Agile PLM] This field is derived and cannot be mapped to another Agile PLM attribute.
SIGNOFF_DURATION_DAYS	NUMBER	Signoff Duration Days. [Agile PLM] This field is derived and cannot be mapped to another Agile PLM attribute.
SIGNOFF_FLAG	NUMBER	This flag indicates whether the object has been signed off. 1 for yes and 0 for no. [Agile PLM] This field is derived and cannot be mapped to another Agile PLM attribute.
SIGNOFF_USER_ID	NUMBER	Signoff User. [Agile PLM] This field is derived and cannot be mapped to another Agile PLM attribute.
SIGNOFF_USER_TYPE_ID	NUMBER	Signoff User Type. [Agile PLM] This field is derived and cannot be mapped to another Agile PLM attribute.
USER_SIGNOFF_TIME_ID	NUMBER	User Signoff Time.
USER_SUBMIT_TIME_ID	NUMBER	User Submit Time.

**PC\_MCO\_STOCK\_D**

MCO Stocks Dimension Table. This table is conforming across the fact tables in MCO Subject Area. Out of the box, this table is not populated with Agile PLM data. The table is populated only when the Agile PLM attributes are mapped using BI Configurator.

Column	Type	Comments
DATASOURCE_NUM_ID	NUMBER	Reserved. This column, in future releases, will uniquely identify the source system from which data was extracted.
ENABLE	NUMBER	This flag indicates whether the Member is deleted or not enabled. 1 for yes and 0 for no. [Agile PLM] This field is derived and cannot be mapped to another Agile PLM attribute.
INTEGRATION_ID	VARCHAR2	Reserved. This column, in future releases, will be used to uniquely identify dimension or fact entity in its source system.
LAST_MODIFIED_DATE	DATE	Last modified date. [Agile PLM] This field is derived and cannot be mapped to another Agile PLM attribute.
LIST_ID	NUMBER	List ID associated with attribute.
NAME	VARCHAR2	Manufacturing Change Order Stock Name
PC_MCO_STOCK_ID	NUMBER	PC MCO Stock. Primary key that uniquely identifies the record.
ROW_ID	NUMBER	Reserved. In future releases, this will store Surrogate key to uniquely identify a record.

**PC\_MCO\_SUPPLIER\_B**

MCO Supplier Bridge Table. Maintains data between MCO and Supplier to resolve many to many relationships. Out of the box, this table is not populated with Agile PLM data. The table is populated when the Agile PLM Multilist type attribute is mapped to the corresponding column in the fact table using BI Configurator.

Column	Type	Comments
DATASOURCE_NUM_ID	NUMBER	Reserved. This column, in future releases, will uniquely identify the source system from which data was extracted.
INTEGRATION_ID	VARCHAR2	Reserved. This column, in future releases, will be used to uniquely identify dimension or fact entity in its source system.
PC_MCO_ID	NUMBER	PC MCO ID. [Agile PLM] This field maps to the ID attribute in MCO class.
ROW_ID	NUMBER	Reserved. In future releases, this will store Surrogate key to uniquely identify a record.
SUPPLIER_ID	NUMBER	Supplier ID. Foreign key to SUPPLIER_D.

**PC\_MCO\_TYPE\_D**

MCO Types Dimension Table. This table is conforming across the fact tables in MCO Subject Area. Out of the box, this table is mapped to List data from Types or Subclass attribute of the MCO class..

Column	Type	Comments
DATASOURCE_NUM_ID	NUMBER	Reserved. This column, in future releases, will uniquely identify the source system from which data was extracted.
ENABLE	NUMBER	This flag indicates whether the Member is deleted or not enabled. 1 for yes and 0 for no. [Agile PLM] This field is derived and cannot be mapped to another Agile PLM attribute.
INTEGRATION_ID	VARCHAR2	Reserved. This column, in future releases, will be used to uniquely identify dimension or fact entity in its source system.
LAST_MODIFIED_DATE	DATE	Last modified date. [Agile PLM] This field is derived and cannot be mapped to another Agile PLM attribute.
LIST_ID	NUMBER	List ID associated with attribute.
NAME	VARCHAR2	Manufacturing Change Order Type Name
PC_MCO_TYPE_ID	NUMBER	PC MCO Type. Primary key that uniquely identifies the record.
ROW_ID	NUMBER	Reserved. In future releases, this will store Surrogate key to uniquely identify a record.

**PC\_MCO\_WIP\_D**

MCO WIPs Dimension Table. This table is conforming across the fact tables in MCO Subject Area. Out of the box, this table is not populated with Agile PLM data. The table is populated only when the Agile PLM attributes are mapped using BI Configurator.

Column	Type	Comments
DATASOURCE_NUM_ID	NUMBER	Reserved. This column, in future releases, will uniquely identify the source system from which data was extracted.
ENABLE	NUMBER	This flag indicates whether the Member is deleted or not enabled. 1 for yes and 0 for no. [Agile PLM] This field is derived and cannot be mapped to another Agile PLM attribute.
INTEGRATION_ID	VARCHAR2	Reserved. This column, in future releases, will be used to uniquely identify dimension or fact entity in its source system.
LAST_MODIFIED_DATE	DATE	Last modified date. [Agile PLM] This field is derived and cannot be mapped to another Agile PLM attribute.
LIST_ID	NUMBER	List ID associated with attribute.
NAME	VARCHAR2	Manufacturing Change Order Work in Progress Name
PC_MCO_WIP_ID	NUMBER	PC MCO Work In Progress. Primary key that uniquely identifies the record.
ROW_ID	NUMBER	Reserved. In future releases, this will store Surrogate key to uniquely identify a record.

**PC\_MCO\_WORKFLOW\_D**

MCO Workflow Dimension Table. This table is conforming across the fact tables in MCO Subject Area. Out of the box, this table contains all the workflows assigned to MCO and the states within each of the workflow.

Column	Type	Comments
CT_ENABLED	NUMBER	CT Enabled.
DATASOURCE_NUM_ID	NUMBER	Reserved. This column, in future releases, will uniquely identify the source system from which data was extracted.
ENABLE	NUMBER	This flag indicates whether the Member is deleted or not enabled. 1 for yes and 0 for no. [Agile PLM] This field is derived and cannot be mapped to another Agile PLM attribute.
INTEGRATION_ID	VARCHAR2	Reserved. This column, in future releases, will be used to uniquely identify dimension or fact entity in its source system.
LIST_ID	NUMBER	List ID associated with attribute.
PC_MCO_WORKFLOW_ID	NUMBER	PC MCO Workflow. Primary key that uniquely identifies the record.
ROW_ID	NUMBER	Reserved. In future releases, this will store Surrogate key to uniquely identify a record.
WORKFLOW	VARCHAR2	Workflow.
WORKFLOW_ID	NUMBER	Workflow.
WORKFLOW_STATE	VARCHAR2	Workflow State.
WORKFLOW_STATE_ID	NUMBER	Workflow State.
WORKFLOW_TYPE	VARCHAR2	Workflow Type.

**PC\_MCO\_WORKFLOW\_DETAIL\_DATA**

MCO Workflow Details Data Table. Stores the details of Agile PLM workflow such as status cycle time, status cycle time in progress for each combination of workflow states.

Column	Type	Comments
CUR_WKFLW_STATE_FLG	NUMBER	
DATASOURCE_NUM_ID	NUMBER	Reserved. This column, in future releases, will uniquely identify the source system from which data was extracted.
DURATION_DAYS	NUMBER	Duration Days. [Agile PLM] This field is derived and cannot be mapped to another Agile PLM attribute.
ENTRY_TIME_ID	NUMBER	Entry Time. [Agile PLM] This field is derived and cannot be mapped to another Agile PLM attribute.
EXIT_TIME_ID	NUMBER	Exit time of the From Workflow State. [Agile PLM] This field is derived and cannot be mapped to another Agile PLM attribute.
FROM_PC_MCO_WORKFLOW_ID	NUMBER	From PC MCO Workflow. [Agile PLM] This field is derived and cannot be mapped to another Agile PLM attribute.
INTEGRATION_ID	VARCHAR2	Reserved. This column, in future releases, will be used to uniquely identify dimension or fact entity in its source system.
OPEN_FLAG	NUMBER	This flag indicates whether the object is open, where the object has exited to the TO workflow state. 1 for yes and 0 for no. [Agile PLM] This field is derived and cannot be mapped to another Agile PLM attribute.
PC_MCO_ID	NUMBER	PC MCO ID. [Agile PLM] This field maps to the ID attribute in MCO class.
PC_MCO_WORKFLOW_ID	NUMBER	PC MCO Workflow. [Agile PLM] This field is derived and cannot be mapped to another Agile PLM attribute.
ROW_ID	NUMBER	Reserved. In future releases, this will store Surrogate key to uniquely identify a record.
TO_PC_MCO_WORKFLOW_ID	NUMBER	To PC MCO Workflow. [Agile PLM] This field is derived and cannot be mapped to another Agile PLM attribute.

**PC\_PRODUCTLINE\_D**

Productlines Dimension Table. This is a conforming Dimension Table across Change Orders (ECO), Change Requests (ECR), Manufacturing Changes (MCO) and Stop Ships. Out of the box, this table is mapped to Product Line attribute on the change objects of Agile PLM.

Column	Type	Comments
DATASOURCE_NUM_ID	NUMBER	Reserved. This column, in future releases, will uniquely identify the source system from which data was extracted.
ENABLE	NUMBER	This flag indicates whether the Member is deleted or not enabled. 1 for yes and 0 for no. [Agile PLM] This field is derived and cannot be mapped to another Agile PLM attribute.
INTEGRATION_ID	VARCHAR2	Reserved. This column, in future releases, will be used to uniquely identify dimension or fact entity in its source system.
LAST_MODIFIED_DATE	DATE	Last Modified Date. [Agile PLM] This field is derived and cannot be mapped to another Agile PLM attribute.
LIST_ID	NUMBER	List ID associated with attribute.
NAME	VARCHAR2	Product Line Name
PC_PRODUCTLINE_ID	NUMBER	PC Productline ID. Primary key that uniquely identifies the record.
ROW_ID	NUMBER	Reserved. In future releases, this will store Surrogate key to uniquely identify a record.

**PC\_SS\_CATEGORY\_D**

Stop Ship Category Dimension Table. This table is conforming across the fact tables in SS Subject Area. Out of the box, this table is mapped to the List configured to Category attribute of SS Class of Agile PLM.

Column	Type	Comments
DATASOURCE_NUM_ID	NUMBER	Reserved. This column, in future releases, will uniquely identify the source system from which data was extracted.
ENABLE	NUMBER	This flag indicates whether the Member is deleted or not enabled. 1 for yes and 0 for no. [Agile PLM] This field is derived and cannot be mapped to another Agile PLM attribute.
INTEGRATION_ID	VARCHAR2	Reserved. This column, in future releases, will be used to uniquely identify dimension or fact entity in its source system.
LAST_MODIFIED_DATE	DATE	Last modified date. [Agile PLM] This field is derived and cannot be mapped to another Agile PLM attribute.
LIST_ID	NUMBER	List ID associated with attribute.
NAME	VARCHAR2	Stop Ship Category Name
PC_SS_CATEGORY_ID	NUMBER	PC Stop Ship Category. Primary key that uniquely identifies the record.
ROW_ID	NUMBER	Reserved. In future releases, this will store Surrogate key to uniquely identify a record.

**PC\_SS\_CUSTOMER\_B**

Stop Ship Customer Bridge Table. Maintains data between SS fact and Customer dimension to resolve many to many relationships. Out of the box, this table is not populated with Agile PLM data. The table is populated when the Agile PLM Multilist type attribute is mapped to the corresponding column in the fact table using BI Configurator.

Column	Type	Comments
CUSTOMER_ID	NUMBER	Customer ID. Foreign key to CUSTOMER_D.
DATASOURCE_NUM_ID	NUMBER	Reserved. This column, in future releases, will uniquely identify the source system from which data was extracted.
INTEGRATION_ID	VARCHAR2	Reserved. This column, in future releases, will be used to uniquely identify dimension or fact entity in its source system.
PC_SS_ID	NUMBER	[Agile PLM] This field maps to the ID attribute of Stop Ship class.
ROW_ID	NUMBER	Reserved. In future releases, this will store Surrogate key to uniquely identify a record.

**PC\_SS\_F**

Stop Ship Core Fact Table. Used for Agile PLM Stop Ship information, viz., Volume, Aging and Cycle time related measures.

Column	Type	Comments
AML_REDLINE_FLAG	NUMBER	This flag is set to "Yes" or "1", if any one of objects Affected items AML has been redlined. Which is available from Affected Item tab. [Agile PLM] This field is derived and cannot be mapped to another Agile PLM attribute.
BOM_REDLINE_FLAG	NUMBER	This flag is set to "Yes" or "1", if any one of objects Affected items BOM has been redlined. Which is available from Affected Item tab. [Agile PLM] This field is derived and cannot be mapped to another Agile PLM attribute.
CANCEL_FLAG	NUMBER	This flag indicates whether this object is cancelled. 1 for yes and 0 for no. [Agile PLM] This field is derived and cannot be mapped to another Agile PLM attribute.
CAPA_FLAG	NUMBER	This flag is set to "Yes" or "1", if the object is related to CAPA (where this CAPA can be affected by this object or the object is affected by CAPA). Which is available from relationship tab of the object. [Agile PLM] This field is derived and cannot be mapped to another Agile PLM attribute.
COMPLETE_FLAG	NUMBER	This flag indicates whether this object is complete. 1 for yes and 0 for no. [Agile PLM] This field is derived and cannot be mapped to another Agile PLM attribute.
CREATED_TIME_ID	NUMBER	Create time. [Agile PLM] This field maps to the "Date Originated" attribute in Change class. This column cannot be re-mapped to another Agile PLM attribute.
DATASOURCE_NUM_ID	NUMBER	Reserved. This column, in future releases, will uniquely identify the source system from which data was extracted.
DESCRIPTION	VARCHAR2	Description. [Agile PLM] This field maps to the "Description of Change" attribute in Change class. This column cannot be re-mapped to another Agile PLM attribute.
EFFECTIVE_DURATION	NUMBER	Effective Duration. [Agile PLM] This field is derived and cannot be mapped to another Agile PLM attribute.
ENGG_IMPL_COST	NUMBER	Engg Implement Cost.
FIELD_REPAIR_COST	NUMBER	Field Repair Cost.
FINAL_COMPLETE_TIME_ID	NUMBER	Final complete date in Julian date format. [Agile PLM] This field maps to the "Final Complete Date" attribute in Change class. This column cannot be re-mapped to another Agile PLM attribute.
IMPL_MANUF_TIME_ID	NUMBER	Implement Manufacture Time ID.
IMPL_QUALITY_TIME_ID	NUMBER	Implement Quality Time ID.
IMPL_SC_TIME_ID	NUMBER	Implement SC Time ID.
INTEGRATION_ID	VARCHAR2	Reserved. This column, in future releases, will be used to uniquely identify dimension or fact entity in its source system.
INT_ORGANIZATION_ID	NUMBER	Internal organisation. Foreign key to INT_ORGANIZATION_D.INT_ORGANIZATION_ID. [Agile PLM] This field is derived and cannot be mapped to another Agile PLM attribute.
LAST_MODIFIED_DATE	DATE	Last modified date. Maps to the UPDATE_DATE attribute in Stop Ship class. [Agile PLM] This field is derived and cannot be mapped to another Agile PLM attribute.
MFG_IMPL_COST	NUMBER	Mfg Implement Cost.
NEVER_RELEASED_ITEM_FLAG	NUMBER	This flag is set to "Yes" or "1", if any one of change object on item (ECO, MCO and SCO) are not released once. Which can be viewed to from Change tab of item. [Agile PLM] This field is derived and cannot be mapped to another Agile PLM attribute.

NO_OF_AML_ADDED	NUMBER	Number of approved manufacturers list (AML) added to item in this change. [Agile PLM] This field is derived and cannot be mapped to another Agile PLM attribute.
NO_OF_AML_DELETED	NUMBER	Number of approved manufacturers list (AML) deleted from item in this change. [Agile PLM] This field is derived and cannot be mapped to another Agile PLM attribute.
NO_OF_AML_MODIFIED	NUMBER	Number of approved manufacturers list (AML) modified for item in this change. [Agile PLM] This field is derived and cannot be mapped to another Agile PLM attribute.
NO_OF_BOM_ADDED	NUMBER	Number of BOM added. [Agile PLM] This field is derived and cannot be mapped to another Agile PLM attribute.
NO_OF_BOM_DELETED	NUMBER	Number of BOM deleted. [Agile PLM] This field is derived and cannot be mapped to another Agile PLM attribute.
NO_OF_BOM_MODIFIED	NUMBER	Number of BOM modified. [Agile PLM] This field is derived and cannot be mapped to another Agile PLM attribute.
NO_OF_ITEMS	NUMBER	Number of effected objects. [Agile PLM] This field is derived and cannot be mapped to another Agile PLM attribute.
NO_OF_REJECTIONS	NUMBER	Number of rejections. [Agile PLM] This field is derived and cannot be mapped to another Agile PLM attribute.
ORIGINATOR_USER_ID	NUMBER	Originator user. Foreign key to USER_D.USER_ID. [Agile PLM] This field maps to the "Originator" attribute in Change class. This column cannot be re-mapped to another Agile PLM attribute.
ORIG_CMPL_DAYS	NUMBER	Duration between Final complete date and Originated date excluding days spent in Hold state when Final complete date is not null and Duration between System date or ETL run date and Originated Date excluding days spent in Hold state when Final complete is null. [Agile PLM] This field is derived and cannot be mapped to another Agile PLM attribute.
ORIG_CMPL_HOLD_DURATION_DAYS	NUMBER	Duration between the final complete date and the originated date when the final date is not null. The duration between the system date or the ETL run date and the originated date when the final complete date is null. [Agile PLM] This field is derived and cannot be mapped to another Agile PLM attribute.
ORIG_RLSE_DAYS	NUMBER	Duration between Released date and Originated date when Released Date is not null and Duration between System date or ETL run date and Originated date when Released date is null excluding the days spent in Hold state. [Agile PLM] This field is derived and cannot be mapped to another Agile PLM attribute.
ORIG_RLSE_HOLD_DURATION_DAYS	NUMBER	Duration between the release date and the originated date when the final date is not null. The duration between the system date or the ETL run date and the originated date when the release date is null. [Agile PLM] This field is derived and cannot be mapped to another Agile PLM attribute.
OWNER_USER_ID	NUMBER	Owner user. Foreign key to USER_D.USER_ID. [Agile PLM] This field maps to the "Change Analyst" attribute in Change class. This column cannot be re-mapped to another Agile PLM attribute.
PC_LOCATION_ID	NUMBER	Location. Foreign key to PC_LOCATION_D.PC_LOCATION_ID. [Agile PLM] This field cannot be mapped to another Agile PLM attribute.
PC_SS_CATEGORY_ID	NUMBER	Change category. Foreign key to PC_SS_CATEGORY_D.PC_SS_CATEGORY_ID. [Agile PLM] This field maps to the "Change Category" attribute in Change class. This column cannot be re-mapped to another Agile PLM attribute.
PC_SS_ID	NUMBER	Change ID. [Agile PLM] This field maps to the ID attribute in Stop Ship class.

PC_SS_NO	VARCHAR2	Change number. [Agile PLM] This field maps to the "Number" attribute in Change class. This column cannot be re-mapped to another Agile PLM attribute.
PC_SS_PRIORITY_ID	NUMBER	Priority. Foreign key to PC_SS_PRIORITY_D.PC_SS_PRIORITY_ID. [Agile PLM] This field maps to the PRIORITY_ID attribute. This field cannot be mapped to another Agile PLM attribute.
PC_SS_REASON_CODE_ID	NUMBER	Reason code. Foreign key to PC_SS_REASON_CODE_D.PC_SS_REASON_CODE_ID. [Agile PLM] This field maps to the "Reason Code" attribute in Change class. This column cannot be re-mapped to another Agile PLM attribute.
PC_SS_REGTYPE_ID	NUMBER	PC Stop Ship Regtype ID. Foreign key to PC_SS_REGTYPE_D.PC_SS_REGTYPE_ID. [Agile PLM] This field cannot be mapped to another Agile PLM attribute.
PC_SS_SEVFINIMPACT_ID	NUMBER	PC Stop Ship Sevfinimpact ID. Foreign key to PC_SS_SEVFINIMPACT_D.PC_SS_SEVFINIMPACT_ID. [Agile PLM] This field cannot be mapped to another Agile PLM attribute.
PC_SS_TYPE_ID	NUMBER	Change type. Foreign key to PC_SS_TYPE_D.PC_SS_TYPE_ID. [Agile PLM] This field maps to the "Stop Ship Type" attribute in Change class. This column cannot be re-mapped to another Agile PLM attribute.
PC_SS_WORKFLOW_ID	NUMBER	Workflow. [Agile PLM] This field is derived and cannot be mapped to another Agile PLM attribute.
PROGRAM_FLAG	NUMBER	This flag is set to "Yes" or "1", if the object is related to Program (where this Program can be affected by this object or the object is affected by Program). Which is available from relationship tab of the object. [Agile PLM] This field is derived and cannot be mapped to another Agile PLM attribute.
REASON	VARCHAR2	Reason. [Agile PLM] This field maps to the "Reason For Change" attribute in Change class. This column cannot be re-mapped to another Agile PLM attribute.
REJECT_FLAG	NUMBER	This flag is set to "Yes" or "1" if any one of the approver on workflow states (review states) rejects when sent for approval. Which is available in workflow tab of object. [Agile PLM] This field is derived and cannot be mapped to another Agile PLM attribute.
RELEASED_FLAG	NUMBER	This flag is set to "Yes" or "1", if the object workflow is in Released state. Which is available from workflow tab of object. [Agile PLM] This field is derived and cannot be mapped to another Agile PLM attribute.
RELEASED_TIME_ID	NUMBER	Release date in Julian date format. [Agile PLM] This field maps to the "Date Released" attribute in Change class. This column cannot be re-mapped to another Agile PLM attribute.
REQUIRED_TIME_ID	NUMBER	Required Time ID.
RESUME_TIME_ID	NUMBER	Resume Date. [Agile PLM] This field maps to the "Resume Date" attribute in Change class. This column cannot be re-mapped to another Agile PLM attribute.
RLSE_CMPL_DAYS	NUMBER	Number of days object is release compliant. [Agile PLM] This field is derived and cannot be mapped to another Agile PLM attribute.
RLSE_CMPL_HOLD_DURATION_DAYS	NUMBER	Number of days object is on hold in release-compliant state. [Agile PLM] This field is derived and cannot be mapped to another Agile PLM attribute.
ROW_ID	NUMBER	Reserved. In future releases, this will store Surrogate key to uniquely identify a record.
SBMT_RLSE_DAYS	NUMBER	Duration between Released date and Submit date excluding the days spent in Hold state when Released date is not null and Duration between System date or ETL run date and Submit date excluding the days spent in Hold state when Released date is null. [Agile PLM] This field is derived and cannot be mapped to another Agile PLM attribute.

SBMT_RLSE_HOLD_DURATION_DAYS	NUMBER	Duration between Released date and Submit date when Released date is not null and Duration between System date or ETL run date and Submit date when Released date is null. [Agile PLM] This field is derived and cannot be mapped to another Agile PLM attribute.
SCHEDULE_IMPACT	NUMBER	Schedule Impact.
SOFT_DELETE_FLAG	NUMBER	This flag indicates whether this object is soft-deleted. 1 for yes and 0 for no. Maps to the DELETE_FLAG attribute in Stop Ship class. [Agile PLM] This field is derived and cannot be mapped to another Agile PLM attribute.
SUBMIT_TIME_ID	NUMBER	Submit time. [Agile PLM] This field maps to the "Date Submitted" attribute in Change class. This column cannot be re-mapped to another Agile PLM attribute.
SUPP_CHANGE_COST	NUMBER	Supplier Change Cost.
URGENT_FLAG	NUMBER	This flag is set to "Yes" or "1", if we select "Urgent" check box while routing object workflow(review) state for Approval. [Agile PLM] This field is derived and cannot be mapped to another Agile PLM attribute.
VALID_FLAG	NUMBER	This flag indicates whether this object is valid. 1 for yes and 0 for no. [Agile PLM] This field is derived and cannot be mapped to another Agile PLM attribute.

***PC\_SS\_FIELD\_D***

Stop Ship Fields Dimension Table. This table is conforming across the fact tables in SS Subject Area. Out of the box, this table is not populated with Agile PLM data. The table is populated only when the Agile PLM attributes are mapped using BI Configurator.

Column	Type	Comments
DATASOURCE_NUM_ID	NUMBER	Reserved. This column, in future releases, will uniquely identify the source system from which data was extracted.
ENABLE	NUMBER	This flag indicates whether the Member is deleted or not enabled. 1 for yes and 0 for no. [Agile PLM] This field is derived and cannot be mapped to another Agile PLM attribute.
INTEGRATION_ID	VARCHAR2	Reserved. This column, in future releases, will be used to uniquely identify dimension or fact entity in its source system.
LAST_MODIFIED_DATE	DATE	Last modified date. [Agile PLM] This field is derived and cannot be mapped to another Agile PLM attribute.
LIST_ID	NUMBER	List ID associated with attribute.
NAME	VARCHAR2	Stop Ship Field Name
PC_SS_FIELD_ID	NUMBER	PC Stop Ship Field. Primary key that uniquely identifies the record.
ROW_ID	NUMBER	Reserved. In future releases, this will store Surrogate key to uniquely identify a record.

**PC\_SS\_FINISHEDGOODS\_D**

Stop Ship Finished Goods Dimension Table. This table is conforming across the fact tables in SS Subject Area. Out of the box, this table is not populated with Agile PLM data. The table is populated only when the Agile PLM attributes are mapped using BI Configurator.

Column	Type	Comments
DATASOURCE_NUM_ID	NUMBER	Reserved. This column, in future releases, will uniquely identify the source system from which data was extracted.
ENABLE	NUMBER	This flag indicates whether the Member is deleted or not enabled. 1 for yes and 0 for no. [Agile PLM] This field is derived and cannot be mapped to another Agile PLM attribute.
INTEGRATION_ID	VARCHAR2	Reserved. This column, in future releases, will be used to uniquely identify dimension or fact entity in its source system.
LAST_MODIFIED_DATE	DATE	Last modified date. [Agile PLM] This field is derived and cannot be mapped to another Agile PLM attribute.
LIST_ID	NUMBER	List ID associated with attribute.
NAME	VARCHAR2	Stop Ship Finished Goods Name
PC_SS_FINISHEDGOODS_ID	NUMBER	PC Stop Ship Finishedgoods. Primary key that uniquely identifies the record.
ROW_ID	NUMBER	Reserved. In future releases, this will store Surrogate key to uniquely identify a record.

**PC\_SS\_FUNCTION\_D**

Stop Ship Functions Dimension Table. This table is conforming across the fact tables in SS Subject Area. Out of the box, this table is not populated with Agile PLM data. The table is populated only when the Agile PLM attributes are mapped using BI Configurator.

Column	Type	Comments
DATASOURCE_NUM_ID	NUMBER	Reserved. This column, in future releases, will uniquely identify the source system from which data was extracted.
ENABLE	NUMBER	This flag indicates whether the Member is deleted or not enabled. 1 for yes and 0 for no. [Agile PLM] This field is derived and cannot be mapped to another Agile PLM attribute.
INTEGRATION_ID	VARCHAR2	Reserved. This column, in future releases, will be used to uniquely identify dimension or fact entity in its source system.
LAST_MODIFIED_DATE	DATE	Last modified date. [Agile PLM] This field is derived and cannot be mapped to another Agile PLM attribute.
LIST_ID	NUMBER	List ID associated with attribute.
NAME	VARCHAR2	Stop Ship Function Name
PC_SS_FUNCTION_ID	NUMBER	PC Stop Ship Function. Primary key that uniquely identifies the record.
ROW_ID	NUMBER	Reserved. In future releases, this will store Surrogate key to uniquely identify a record.

**PC\_SS\_ITEM\_DATA**

The Temporary table, reserved for ETL process, is used for configuring Agile PLM flex attributes between Item and Stop Ships (SSO) relationship.

Column	Type	Comments
AI_AML_ADDED	NUMBER	Number of approved manufacturers list (AML) added to item in this change. [Agile PLM] This field is derived and cannot be mapped to another Agile PLM attribute.
AI_AML_DELETED	NUMBER	Number of approved manufacturers list (AML) deleted from item in this change. [Agile PLM] This field is derived and cannot be mapped to another Agile PLM attribute.
AI_AML_MODIFIED	NUMBER	Number of approved manufacturers list (AML) modified for item in this change. [Agile PLM] This field is derived and cannot be mapped to another Agile PLM attribute.
AI_BOM_ADDED	NUMBER	
AI_BOM_DELETED	NUMBER	
AI_BOM_MODIFIED	NUMBER	
CANCEL_FLAG	NUMBER	This flag indicates whether this object is cancelled. 1 for yes and 0 for no. [Agile PLM] This field maps to the "Cancelled" attribute in Change class in Affected Item tab. This field cannot be re-mapped to another Agile PLM attribute.
COMPLIANCY_CALC_DATE_ID	NUMBER	Compliance Calculation Date in Julian Date format. [Agile PLM] This field maps to the "Compliance Calculation Date" attribute in Change class in Affected Item tab. This field cannot be re-mapped to another Agile PLM attribute.
COMPLIANCY_FLAG	NUMBER	This flag indicates whether the object has compliance. 1 for yes and 0 for no. [Agile PLM] This field maps to the "Compliance" attribute in Change class in Affected Item tab. This field cannot be re-mapped to another Agile PLM attribute.
COST_IMPACT_FG	NUMBER	Cost Impact FG. [Agile PLM] This field maps to the "Cost Impact Fg" attribute in Change class in Affected Item tab. This field cannot be re-mapped to another Agile PLM attribute.
COST_IMPACT_FIELD	NUMBER	Cost Impact Field. [Agile PLM] This field maps to the "Cost Impact Field" attribute in Change class in Affected Item tab. This field cannot be re-mapped to another Agile PLM attribute.
COST_IMPACT_ONDEMAND	NUMBER	Cost Impact On Demand. [Agile PLM] This field maps to the "Cost Impact On Demand" attribute in Change class in Affected Item tab. This field cannot be re-mapped to another Agile PLM attribute.
COST_IMPACT_STOCK	NUMBER	Cost Impact Stock. [Agile PLM] This field maps to the "Cost Impact Stock" attribute in Change class in Affected Item tab. This field cannot be re-mapped to another Agile PLM attribute.
COST_IMPACT_WIP	NUMBER	Cost Impact Work In Progress. [Agile PLM] This field maps to the "Cost Impact Work In Progress" attribute in Change class in Affected Item tab. This field cannot be re-mapped to another Agile PLM attribute.
DATASOURCE_NUM_ID	NUMBER	Reserved. This column, in future releases, will uniquely identify the source system from which data was extracted.
DESCRIPTION	VARCHAR2	Description. [Agile PLM] This field maps to the "Description" attribute in Change class in Affected Item tab. This field cannot be re-mapped to another Agile PLM attribute.
INCORP_DATE_ID	NUMBER	Incorporated Date in Julian Date format. [Agile PLM] This field maps to the "Incorporated Date" attribute in Change class in Affected Item tab. This field cannot be re-mapped to another Agile PLM attribute.

INTEGRATION_ID	VARCHAR2	Reserved. This column, in future releases, will be used to uniquely identify dimension or fact entity in its source system.
ITEM_ID	NUMBER	Item ID.
ITEM_TLA_ID	NUMBER	Item TLA. Foreign key to FLAG_D.FLAG_ID. [Agile PLM] This field maps to the IS_TLA_ID attribute in ITEM class in Affected Item tab. This field cannot be re-mapped to another Agile PLM attribute.
LAST_MODIFIED_DATE	DATE	Last modified date. [Agile PLM] This field maps to the "Last Modified Date" attribute in Change class in Affected Item tab. This field cannot be re-mapped to another Agile PLM attribute.
LATEST_FLAG	NUMBER	This flag indicates whether the object is the latest version. [Agile PLM] This field maps to the "Latest Flag" attribute in Change class in Affected Item tab. This field cannot be re-mapped to another Agile PLM attribute.
NEW_EFFECTIVE_DATE_ID	NUMBER	New Effective Date in Julian Date format. [Agile PLM] This field maps to the "New Effective Date" attribute in Change class in Affected Item tab. This field cannot be re-mapped to another Agile PLM attribute.
NORMALIZED_WEIGHT	NUMBER	Normalized Weight. [Agile PLM] This field maps to the "Normalized Weight" attribute in Change class in Affected Item tab. This field cannot be re-mapped to another Agile PLM attribute.
OBSELETE_DATE_ID	NUMBER	Obselete Date in Julian Date format. [Agile PLM] This field maps to the "Obselete Date" attribute in Change class in Affected Item tab. This field cannot be re-mapped to another Agile PLM attribute.
OLD_DESCRIPTION	VARCHAR2	Old Description. [Agile PLM] This field maps to the "Old Description" attribute in Change class in Affected Item tab. This field cannot be re-mapped to another Agile PLM attribute.
OLD_EFFECTIVE_DATE_ID	NUMBER	Old Effective Date in Julian Date format. [Agile PLM] This field maps to the "Old Effective Date" attribute in Change class in Affected Item tab. This field cannot be re-mapped to another Agile PLM attribute.
OLD_REV_ID	NUMBER	Old Rev. [Agile PLM] This field maps to the "Old Rev" attribute in Change class in Affected Item tab. This field cannot be re-mapped to another Agile PLM attribute.
PC_SS_FIELD_ID	NUMBER	PC Stop Ship Field. [Agile PLM] This field maps to the "Field" attribute in Change class in Affected Item tab. This field cannot be re-mapped to another Agile PLM attribute.
PC_SS_FINISHGOODS_ID	NUMBER	PC Stop Ship Finished Goods. [Agile PLM] This field maps to the "Finished Goods" attribute in Change class in Affected Item tab. This field cannot be re-mapped to another Agile PLM attribute.
PC_SS_FUNCTION_ID	NUMBER	PC Stop Ship Function. [Agile PLM] This field maps to the "Function" attribute in Change class in Affected Item tab. This field cannot be re-mapped to another Agile PLM attribute.
PC_SS_ID	NUMBER	Change ID. [Agile PLM] This field maps to the "ID" attribute in Change class in Affected Item tab. This field cannot be re-mapped to another Agile PLM attribute.
PC_SS_NEW_LIFECYCLE_ID	NUMBER	PC Stop Ship New Lifecycle. [Agile PLM] This field maps to the "New Lifecycle" attribute in Change class in Affected Item tab. This field cannot be re-mapped to another Agile PLM attribute.
PC_SS_OLD_LIFECYCLE_ID	NUMBER	PC Stop Ship Old Lifecycle. [Agile PLM] This field maps to the "Old Lifecycle" attribute in Change class in Affected Item tab. This field cannot be re-mapped to another Agile PLM attribute.
PC_SS_ONORDER_ID	NUMBER	PC Stop Ship On Order. [Agile PLM] This field maps to the "On Order" attribute in Change class in Affected Item tab. This field cannot be re-mapped to another Agile PLM attribute.
PC_SS_STOCK_ID	NUMBER	PC Stop Ship Stock. [Agile PLM] This field maps to the "Stock" attribute in Change class in Affected Item tab. This field cannot be re-mapped to another Agile PLM attribute.

PC_SS_WIP_ID	NUMBER	PC Stop Ship Work In Progress. [Agile PLM] This field maps to the "Work In Progress" attribute in Change class in Affected Item tab. This field cannot be re-mapped to another Agile PLM attribute.
RESUME_TIME_ID	NUMBER	Resume Time. [Agile PLM] This field maps to the "Resume Date" attribute in Change class in Affected Item tab. This field cannot be re-mapped to another Agile PLM attribute.
REV_ID	NUMBER	Revision this object is associated with. [Agile PLM] This field maps to the "Rev" attribute in Change class in Affected Item tab. This field cannot be re-mapped to another Agile PLM attribute.
REV_INCORPORATED_FLAG	NUMBER	This flag indicates whether the object is in an incorporated revision. [Agile PLM] This field maps to the "Rev Incorporated Flag" attribute in Change class in Affected Item tab. This field cannot be re-mapped to another Agile PLM attribute.
REV_RELEASED_FLAG	NUMBER	This flag is set to "Yes" or "1", if the object workflow is in Released state. [Agile PLM] This field maps to the "Rev Released Flag" attribute in Change class in Affected Item tab. This field cannot be re-mapped to another Agile PLM attribute.
REV_RELEASE_DATE_ID	NUMBER	Rev Release Date in Julian Date format. [Agile PLM] This field maps to the "Rev Release Date" attribute in Change class in Affected Item tab. This field cannot be re-mapped to another Agile PLM attribute.
ROW_ID	NUMBER	Reserved. In future releases, this will store Surrogate key to uniquely identify a record.
SITE_ID	NUMBER	Site. [Agile PLM] This field maps to the "Site" attribute in Change class in Affected Item tab. This field cannot be re-mapped to another Agile PLM attribute.
TOTAL_COST	NUMBER	Total Cost. [Agile PLM] This field maps to the "Total Cost" attribute in Change class in Affected Item tab. This field cannot be re-mapped to another Agile PLM attribute.
VALID_FLAG	NUMBER	This flag indicates whether this object is valid. [Agile PLM] This field maps to the "Valid Flag" attribute in Change class in Affected Item tab. This field cannot be re-mapped to another Agile PLM attribute.
WEIGHT	NUMBER	Weight. [Agile PLM] This field maps to the "Weight" attribute in Change class in Affected Item tab. This field cannot be re-mapped to another Agile PLM attribute.
WEIGHT_UOM	NUMBER	Weight Unit of Measure. [Agile PLM] This field maps to the "Weight UOM" attribute in Change class in Affected Item tab. This field cannot be re-mapped to another Agile PLM attribute.

**PC\_SS\_ITEM\_PRODUCTLINE\_B**

Stop Ship Item Productline Bridge Table. Maintains data between SS fact and Item Productline dimension to resolve many to many relationships. Out of the box, this table is not populated with Agile PLM data. The table is populated when the Agile PLM Multilist type attribute is mapped to the corresponding column in the fact table using BI Configurator.

Column	Type	Comments
DATASOURCE_NUM_ID	NUMBER	Reserved. This column, in future releases, will uniquely identify the source system from which data was extracted.
INTEGRATION_ID	VARCHAR2	Reserved. This column, in future releases, will be used to uniquely identify dimension or fact entity in its source system.
ITEM_ID	NUMBER	Foreign key to ITEM_D, serves as the primary key (with PQM_AUDIT_ID).
ITEM_PRODUCTLINE_ID	NUMBER	Item Productline ID. Foreign key to ITEM_PRODUCTLINE_D.
ROW_ID	NUMBER	Reserved. In future releases, this will store Surrogate key to uniquely identify a record.

**PC\_SS\_MANUF\_OWNER\_B**

Stop Ship Manufacturer Owner Bridge Table. Maintains data between SS fact and Manufacturer Owner dimension to resolve many to many relationships. Out of the box, this table is not populated with Agile PLM data. The table is populated when the Agile PLM Multilist type attribute is mapped to the corresponding column in the fact table using BI Configurator.

Column	Type	Comments
DATASOURCE_NUM_ID	NUMBER	Reserved. This column, in future releases, will uniquely identify the source system from which data was extracted.
INTEGRATION_ID	VARCHAR2	Reserved. This column, in future releases, will be used to uniquely identify dimension or fact entity in its source system.
PC_SS_ID	NUMBER	[Agile PLM] This field maps to the ID attribute of Stop Ship class.
ROW_ID	NUMBER	Reserved. In future releases, this will store Surrogate key to uniquely identify a record.
USER_ID	NUMBER	User.

**PC\_SS\_MFRLOCIMPACT\_B**

Stop Ship Manufacturing Locations Impacted Bridge Table. Maintains data between SS fact and Manufacturer Location Impact dimension Impact to resolve many to many relationships. Out of the box, this table is not populated with Agile PLM data. The table is populated when the Agile PLM Multilist type attribute is mapped to the corresponding column in the fact table using BI Configurator.

Column	Type	Comments
DATASOURCE_NUM_ID	NUMBER	Reserved. This column, in future releases, will uniquely identify the source system from which data was extracted.
INTEGRATION_ID	VARCHAR2	Reserved. This column, in future releases, will be used to uniquely identify dimension or fact entity in its source system.
PC_SS_ID	NUMBER	[Agile PLM] This field maps to the ID attribute of Stop Ship class.
PC_SS_MFRLOCIMPACT_ID	NUMBER	PC Stop Ship Manufacturer Location Impact ID.
ROW_ID	NUMBER	Reserved. In future releases, this will store Surrogate key to uniquely identify a record.

**PC\_SS\_MFRLOCIMPACT\_D**

Stop Ship Manufacturing locations impacted Dimension Table. This table is conforming across the fact tables in SS Subject Area. Out of the box, this table is not populated with Agile PLM data. The table is populated only when the Agile PLM attributes are mapped using BI Configurator.

Column	Type	Comments
DATASOURCE_NUM_ID	NUMBER	Reserved. This column, in future releases, will uniquely identify the source system from which data was extracted.
ENABLE	NUMBER	This flag indicates whether the Member is deleted or not enabled. 1 for yes and 0 for no. [Agile PLM] This field is derived and cannot be mapped to another Agile PLM attribute.
INTEGRATION_ID	VARCHAR2	Reserved. This column, in future releases, will be used to uniquely identify dimension or fact entity in its source system.
LAST_MODIFIED_DATE	DATE	Last Modified Date. [Agile PLM] This field is derived and cannot be mapped to another Agile PLM attribute.
LIST_ID	NUMBER	List ID associated with attribute.
NAME	VARCHAR2	Stop Ship Manufacturing Location Impact Name
PC_SS_MFRLOCIMPACT_ID	NUMBER	PC Stop Ship Manufacturer Location Impact ID. Primary key that uniquely identifies the record.
ROW_ID	NUMBER	Reserved. In future releases, this will store Surrogate key to uniquely identify a record.

***PC\_SS\_ONORDER\_D***

Stop Ship On Orders Dimension Table. This table is conforming across the fact tables in SS Subject Area. Out of the box, this table is not populated with Agile PLM data. The table is populated only when the Agile PLM attributes are mapped using BI Configurator.

Column	Type	Comments
DATASOURCE_NUM_ID	NUMBER	Reserved. This column, in future releases, will uniquely identify the source system from which data was extracted.
ENABLE	NUMBER	This flag indicates whether the Member is deleted or not enabled. 1 for yes and 0 for no. [Agile PLM] This field is derived and cannot be mapped to another Agile PLM attribute.
INTEGRATION_ID	VARCHAR2	Reserved. This column, in future releases, will be used to uniquely identify dimension or fact entity in its source system.
LAST_MODIFIED_DATE	DATE	Last modified date. [Agile PLM] This field is derived and cannot be mapped to another Agile PLM attribute.
LIST_ID	NUMBER	List ID associated with attribute.
NAME	VARCHAR2	Stop Ship Onorder name
PC_SS_ONORDER_ID	NUMBER	PC Stop Ship Onorder. Primary key that uniquely identifies the record.
ROW_ID	NUMBER	Reserved. In future releases, this will store Surrogate key to uniquely identify a record.

**PC\_SS\_PRGTASK\_B**

Stop Ship Bridge Table. Maintains data between SS fact and Program Task dimension to resolve many to many relationships. Out of the box, this table is not populated with Agile PLM data. The table is populated when the Agile PLM Multilist type attribute is mapped to the corresponding column in the fact table using BI Configurator.

Column	Type	Comments
DATASOURCE_NUM_ID	NUMBER	Reserved. This column, in future releases, will uniquely identify the source system from which data was extracted.
INTEGRATION_ID	VARCHAR2	Reserved. This column, in future releases, will be used to uniquely identify dimension or fact entity in its source system.
PC_SS_ID	NUMBER	[Agile PLM] This field maps to the ID attribute of Stop Ship class.
PC_SS_PRGTASK_ID	NUMBER	PC Stop Ship Program Task ID.
ROW_ID	NUMBER	Reserved. In future releases, this will store Surrogate key to uniquely identify a record.

**PC\_SS\_PRGTASK\_D**

Stop Ship Program Task Dimension Table. This table is conforming across the fact tables in SS Subject Area. Out of the box, this table is not populated with Agile PLM data. The table is populated only when the Agile PLM attributes are mapped using BI Configurator.

Column	Type	Comments
DATASOURCE_NUM_ID	NUMBER	Reserved. This column, in future releases, will uniquely identify the source system from which data was extracted.
ENABLE	NUMBER	This flag indicates whether the Member is deleted or not enabled. 1 for yes and 0 for no. [Agile PLM] This field is derived and cannot be mapped to another Agile PLM attribute.
INTEGRATION_ID	VARCHAR2	Reserved. This column, in future releases, will be used to uniquely identify dimension or fact entity in its source system.
LAST_MODIFIED_DATE	DATE	Last Modified Date. [Agile PLM] This field is derived and cannot be mapped to another Agile PLM attribute.
LIST_ID	NUMBER	List ID associated with attribute.
NAME	VARCHAR2	Stop Ship Program Task Name
PC_SS_PRGTASK_ID	NUMBER	PC Stop Ship Program Task ID. Primary key that uniquely identifies the record.
ROW_ID	NUMBER	Reserved. In future releases, this will store Surrogate key to uniquely identify a record.

**PC\_SS\_PRIORITY\_D**

Stop Ship Priority Dimension Table. This table is conforming across the fact tables in SS Subject Area. Out of the box, this table is not populated with Agile PLM data. The table is populated only when the Agile PLM attributes are mapped using BI Configurator.

Column	Type	Comments
DATASOURCE_NUM_ID	NUMBER	Reserved. This column, in future releases, will uniquely identify the source system from which data was extracted.
ENABLE	NUMBER	This flag indicates whether the Member is deleted or not enabled. 1 for yes and 0 for no. [Agile PLM] This field is derived and cannot be mapped to another Agile PLM attribute.
INTEGRATION_ID	VARCHAR2	Reserved. This column, in future releases, will be used to uniquely identify dimension or fact entity in its source system.
LAST_MODIFIED_DATE	DATE	Last modified date. [Agile PLM] This field is derived and cannot be mapped to another Agile PLM attribute.
LIST_ID	NUMBER	List ID associated with attribute.
NAME	VARCHAR2	Stop Ship Priority Name
PC_SS_PRIORITY_ID	NUMBER	PC Stop Ship Priority. Primary key that uniquely identifies the record.
ROW_ID	NUMBER	Reserved. In future releases, this will store Surrogate key to uniquely identify a record.

***PC\_SS\_PRODUCTLINE\_B***

Stop Ship Productline Bridge Table. Maintains data between SS fact and Productline dimension to resolve many to many relationships. Out of the box, this table is not populated with Agile PLM data. The table is populated when the Agile PLM Multilist type attribute is mapped to the corresponding column in the fact table using BI Configurator.

<b>Column</b>	<b>Type</b>	<b>Comments</b>
DATASOURCE_NUM_ID	NUMBER	Reserved. This column, in future releases, will uniquely identify the source system from which data was extracted.
INTEGRATION_ID	VARCHAR2	Reserved. This column, in future releases, will be used to uniquely identify dimension or fact entity in its source system.
PC_PRODUCTLINE_ID	NUMBER	PC Productline ID.
PC_SS_ID	NUMBER	PC Stop Ship.
ROW_ID	NUMBER	Reserved. In future releases, this will store Surrogate key to uniquely identify a record.

**PC\_SS\_PROGRAM\_B**

Stop Ship Program Bridge Table. Maintains data between SS fact and Program dimension to resolve many to many relationships. Out of the box, this table is not populated with Agile PLM data. The table is populated when the Agile PLM Multilist type attribute is mapped to the corresponding column in the fact table using BI Configurator.

Column	Type	Comments
DATASOURCE_NUM_ID	NUMBER	Reserved. This column, in future releases, will uniquely identify the source system from which data was extracted.
INTEGRATION_ID	VARCHAR2	Reserved. This column, in future releases, will be used to uniquely identify dimension or fact entity in its source system.
PC_SS_ID	NUMBER	PC Stop Ship.
PC_SS_PROGRAM_ID	NUMBER	PC Stop Ship Program.
ROW_ID	NUMBER	Reserved. In future releases, this will store Surrogate key to uniquely identify a record.

**PC\_SS\_PROGRAM\_D**

Stop Ship Program Dimension Table. This table is conforming across the fact tables in SS Subject Area. Out of the box, this table is not populated with Agile PLM data. The table is populated only when the Agile PLM attributes are mapped using BI Configurator.

Column	Type	Comments
DATASOURCE_NUM_ID	NUMBER	Reserved. This column, in future releases, will uniquely identify the source system from which data was extracted.
ENABLE	NUMBER	This flag indicates whether the Member is deleted or not enabled. 1 for yes and 0 for no. [Agile PLM] This field is derived and cannot be mapped to another Agile PLM attribute.
INTEGRATION_ID	VARCHAR2	Reserved. This column, in future releases, will be used to uniquely identify dimension or fact entity in its source system.
LAST_MODIFIED_DATE	DATE	Last modified date. [Agile PLM] This field is derived and cannot be mapped to another Agile PLM attribute.
LIST_ID	NUMBER	List ID associated with attribute.
NAME	VARCHAR2	Stop Ship Program Name
PC_SS_PROGRAM_ID	NUMBER	PC Stop Ship Program. Primary key that uniquely identifies the record.
ROW_ID	NUMBER	Reserved. In future releases, this will store Surrogate key to uniquely identify a record.

**PC\_SS\_QUALITY\_OWNER\_B**

Stop Ship Quality Owner Bridge Table. Maintains data between SS fact and Quality Owner dimension to resolve many to many relationships. Out of the box, this table is not populated with Agile PLM data. The table is populated when the Agile PLM Multilist type attribute is mapped to the corresponding column in the fact table using BI Configurator.

Column	Type	Comments
DATASOURCE_NUM_ID	NUMBER	Reserved. This column, in future releases, will uniquely identify the source system from which data was extracted.
INTEGRATION_ID	VARCHAR2	Reserved. This column, in future releases, will be used to uniquely identify dimension or fact entity in its source system.
PC_SS_ID	NUMBER	[Agile PLM] This field maps to the ID attribute of Stop Ship class.
ROW_ID	NUMBER	Reserved. In future releases, this will store Surrogate key to uniquely identify a record.
USER_ID	NUMBER	User.

**PC\_SS\_REASON\_CODE\_D**

Stop Ship Reason Codes Dimension Table. This table is conforming across the fact tables in SS Subject Area. Out of the box, this table is mapped to the List configured to Reason Codes attribute of the SS Class of Agile PLM.

Column	Type	Comments
DATASOURCE_NUM_ID	NUMBER	Reserved. This column, in future releases, will uniquely identify the source system from which data was extracted.
ENABLE	NUMBER	This flag indicates whether the Member is deleted or not enabled. 1 for yes and 0 for no. [Agile PLM] This field is derived and cannot be mapped to another Agile PLM attribute.
INTEGRATION_ID	VARCHAR2	Reserved. This column, in future releases, will be used to uniquely identify dimension or fact entity in its source system.
LAST_MODIFIED_DATE	DATE	Last modified date. [Agile PLM] This field is derived and cannot be mapped to another Agile PLM attribute.
LIST_ID	NUMBER	List ID associated with attribute.
NAME	VARCHAR2	Stop Ship Reason Code Name
PC_SS_REASON_CODE_ID	NUMBER	PC Stop Ship Reason Code. Primary key that uniquely identifies the record.
ROW_ID	NUMBER	Reserved. In future releases, this will store Surrogate key to uniquely identify a record.

**PC\_SS\_REGTYPE\_D**

Stop Ship Regulation Type Dimension Table. This table is conforming across the fact tables in SS Subject Area. Out of the box, this table is not populated with Agile PLM data. The table is populated only when the Agile PLM attributes are mapped using BI Configurator.

Column	Type	Comments
DATASOURCE_NUM_ID	NUMBER	Reserved. This column, in future releases, will uniquely identify the source system from which data was extracted.
ENABLE	NUMBER	This flag indicates whether the Member is deleted or not enabled. 1 for yes and 0 for no. [Agile PLM] This field is derived and cannot be mapped to another Agile PLM attribute.
INTEGRATION_ID	VARCHAR2	Reserved. This column, in future releases, will be used to uniquely identify dimension or fact entity in its source system.
LAST_MODIFIED_DATE	DATE	Last Modified Date. [Agile PLM] This field is derived and cannot be mapped to another Agile PLM attribute.
LIST_ID	NUMBER	List ID associated with attribute.
NAME	VARCHAR2	Stop Ship Regulation Type Name
PC_SS_REGTYPE_ID	NUMBER	PC Stop Ship Regtype ID. Primary key that uniquely identifies the record.
ROW_ID	NUMBER	Reserved. In future releases, this will store Surrogate key to uniquely identify a record.

**PC\_SS\_SALESREGIMPACT\_B**

Stop Ship Sales Regions Impacted Bridge Table. Maintains data between SS fact and Sales Region Impact dimension to resolve many to many relationships. Out of the box, this table is not populated with Agile PLM data. The table is populated when the Agile PLM Multilist type attribute is mapped to the corresponding column in the fact table using BI Configurator.

Column	Type	Comments
DATASOURCE_NUM_ID	NUMBER	Reserved. This column, in future releases, will uniquely identify the source system from which data was extracted.
INTEGRATION_ID	VARCHAR2	Reserved. This column, in future releases, will be used to uniquely identify dimension or fact entity in its source system.
PC_SS_ID	NUMBER	[Agile PLM] This field maps to the ID attribute of Stop Ship class.
PC_SS_SALESREGIMPACT_ID	NUMBER	PC Stop Ship Sales Region Impact ID.
ROW_ID	NUMBER	Reserved. In future releases, this will store Surrogate key to uniquely identify a record.

**PC\_SS\_SALESREGIMPACT\_D**

Stop Ship Sales Regions Impacted Dimension Table. This table is conforming across the fact tables in SS Subject Area. Out of the box, this table is not populated with Agile PLM data. The table is populated only when the Agile PLM attributes are mapped using BI Configurator.

Column	Type	Comments
DATASOURCE_NUM_ID	NUMBER	Reserved. This column, in future releases, will uniquely identify the source system from which data was extracted.
ENABLE	NUMBER	This flag indicates whether the Member is deleted or not enabled. 1 for yes and 0 for no. [Agile PLM] This field is derived and cannot be mapped to another Agile PLM attribute.
INTEGRATION_ID	VARCHAR2	Reserved. This column, in future releases, will be used to uniquely identify dimension or fact entity in its source system.
LAST_MODIFIED_DATE	DATE	Last Modified Date. [Agile PLM] This field is derived and cannot be mapped to another Agile PLM attribute.
LIST_ID	NUMBER	List ID associated with attribute.
NAME	VARCHAR2	Stop Ship Sales Region Impact Name
PC_SS_SALESREGIMPACT_ID	NUMBER	PC Stop Ship Sales Region Impact ID. Primary key that uniquely identifies the record.
ROW_ID	NUMBER	Reserved. In future releases, this will store Surrogate key to uniquely identify a record.

**PC\_SS\_SC\_OWNER\_B**

Stop Ship SC Owner Bridge Table. Maintains data between SS fact and SC Owner dimension to resolve many to many relationships. Out of the box, this table is not populated with Agile PLM data. The table is populated when the Agile PLM Multilist type attribute is mapped to the corresponding column in the fact table using BI Configurator.

Column	Type	Comments
DATASOURCE_NUM_ID	NUMBER	Reserved. This column, in future releases, will uniquely identify the source system from which data was extracted.
INTEGRATION_ID	VARCHAR2	Reserved. This column, in future releases, will be used to uniquely identify dimension or fact entity in its source system.
PC_SS_ID	NUMBER	[Agile PLM] This field maps to the ID attribute of Stop Ship class.
ROW_ID	NUMBER	Reserved. In future releases, this will store Surrogate key to uniquely identify a record.
USER_ID	NUMBER	User.

**PC\_SS\_SEVFINIMPACT\_D**

Stop Ship Severity of Financial Impact Dimension Table. This table is conforming across the fact tables in SS Subject Area. Out of the box, this table is not populated with Agile PLM data. The table is populated only when the Agile PLM attributes are mapped using BI Configurator.

Column	Type	Comments
DATASOURCE_NUM_ID	NUMBER	Reserved. This column, in future releases, will uniquely identify the source system from which data was extracted.
ENABLE	NUMBER	This flag indicates whether the Member is deleted or not enabled. 1 for yes and 0 for no. [Agile PLM] This field is derived and cannot be mapped to another Agile PLM attribute.
INTEGRATION_ID	VARCHAR2	Reserved. This column, in future releases, will be used to uniquely identify dimension or fact entity in its source system.
LAST_MODIFIED_DATE	DATE	Last Modified Date. [Agile PLM] This field is derived and cannot be mapped to another Agile PLM attribute.
LIST_ID	NUMBER	List ID associated with attribute.
NAME	VARCHAR2	Stop Ship Severity of Financial Impact Name
PC_SS_SEVFINIMPACT_ID	NUMBER	PC Stop Ship Sevfinimpact ID. Primary key that uniquely identifies the record.
ROW_ID	NUMBER	Reserved. In future releases, this will store Surrogate key to uniquely identify a record.

**PC\_SS\_SIGNOFF\_B**

Stop Ship Signoff Bridge Table. Maintains data between SS and Signoff to resolve many to many relationships. Out of the box, this table is not populated with Agile PLM data. The table is populated when the Agile PLM Multilist type attribute is mapped to the corresponding column in the fact table using BI Configurator.

Column	Type	Comments
PC_SS_ID	NUMBER	PC Stop Ship.
SIGNOFF_USER_ID	NUMBER	Signoff User.
SIGNOFF_USER_TYPE_ID	NUMBER	Signoff User Type.

**PC\_SS\_SIGNOFF\_DATA**

Stop Ship Signoff Data Table. This Temporary table, reserved for ETL process, is used for processing Stop Ships signoff data of Agile PLM.

Column	Type	Comments
CUR_WKFLW_STATE_FLG	NUMBER	
DATASOURCE_NUM_ID	NUMBER	Reserved. This column, in future releases, will uniquely identify the source system from which data was extracted.
EVENT_TYPE_ID	NUMBER	Event type. Foreign key to EVENT_TYPE_D.EVENT_TYPE_ID. [Agile PLM] This field cannot be mapped to another Agile PLM attribute.
INTEGRATION_ID	VARCHAR2	Reserved. This column, in future releases, will be used to uniquely identify dimension or fact entity in its source system.
LAST_MODIFIED_DATE	DATE	Last modified date. [Agile PLM] This field is derived and cannot be mapped to another Agile PLM attribute.
PC_SS_ID	NUMBER	PC Stop Ship.
PC_SS_WORKFLOW_ID	NUMBER	PC Stop Ship Workflow. [Agile PLM] This field is derived and cannot be mapped to another Agile PLM attribute.
REJECT_FLAG	NUMBER	This flag is set to "Yes" or "1" if any one of the approver on workflow states (review states) rejects when sent for approval. Which is available in workflow tab of object. [Agile PLM] This field is derived and cannot be mapped to another Agile PLM attribute.
ROW_ID	NUMBER	Reserved. In future releases, this will store Surrogate key to uniquely identify a record.
SEQ_NUMBER	NUMBER	Sequence Number. [Agile PLM] This field is derived and cannot be mapped to another Agile PLM attribute.
SIGNOFF_DURATION_DAYS	NUMBER	Signoff Duration Days. [Agile PLM] This field is derived and cannot be mapped to another Agile PLM attribute.
SIGNOFF_FLAG	NUMBER	This flag indicates whether the object has been signed off. 1 for yes and 0 for no. [Agile PLM] This field is derived and cannot be mapped to another Agile PLM attribute.
SIGNOFF_USER_ID	NUMBER	Signoff User. [Agile PLM] This field is derived and cannot be mapped to another Agile PLM attribute.
SIGNOFF_USER_TYPE_ID	NUMBER	Signoff User Type. [Agile PLM] This field is derived and cannot be mapped to another Agile PLM attribute.
USER_SIGNOFF_TIME_ID	NUMBER	User Signoff Time.
USER_SUBMIT_TIME_ID	NUMBER	User Submit Time.

**PC\_SS\_STOCK\_D**

Stop Ship Stocks Dimension Table. This table is conforming across the fact tables in SS Subject Area. Out of the box, this table is not populated with Agile PLM data. The table is populated only when the Agile PLM attributes are mapped using BI Configurator.

Column	Type	Comments
DATASOURCE_NUM_ID	NUMBER	Reserved. This column, in future releases, will uniquely identify the source system from which data was extracted.
ENABLE	NUMBER	This flag indicates whether the Member is deleted or not enabled. 1 for yes and 0 for no. [Agile PLM] This field is derived and cannot be mapped to another Agile PLM attribute.
INTEGRATION_ID	VARCHAR2	Reserved. This column, in future releases, will be used to uniquely identify dimension or fact entity in its source system.
LAST_MODIFIED_DATE	DATE	Last modified date. [Agile PLM] This field is derived and cannot be mapped to another Agile PLM attribute.
LIST_ID	NUMBER	List ID associated with attribute.
NAME	VARCHAR2	Stop Ship Stock Name
PC_SS_STOCK_ID	NUMBER	PC Stop Ship Stock. Primary key that uniquely identifies the record.
ROW_ID	NUMBER	Reserved. In future releases, this will store Surrogate key to uniquely identify a record.

**PC\_SS\_SUPPLIER\_B**

Stop Ship Supplier Bridge Table. Maintains data between SS and Supplier to resolve many to many relationships. Out of the box, this table is not populated with Agile PLM data. The table is populated when the Agile PLM Multilist type attribute is mapped to the corresponding column in the fact table using BI Configurator.

Column	Type	Comments
DATASOURCE_NUM_ID	NUMBER	Reserved. This column, in future releases, will uniquely identify the source system from which data was extracted.
INTEGRATION_ID	VARCHAR2	Reserved. This column, in future releases, will be used to uniquely identify dimension or fact entity in its source system.
PC_SS_ID	NUMBER	[Agile PLM] This field maps to the ID attribute of Stop Ship class.
ROW_ID	NUMBER	Reserved. In future releases, this will store Surrogate key to uniquely identify a record.
SUPPLIER_ID	NUMBER	Supplier ID. Foreign key to SUPPLIER_D.

**PC\_SS\_TYPE\_D**

Stop Ship Types Dimension Table. This table is conforming across the fact tables in SS Subject Area. Out of the box, this table is mapped to List data from Types or Subclass attribute of the SS class of Agile PLM.

Column	Type	Comments
DATASOURCE_NUM_ID	NUMBER	Reserved. This column, in future releases, will uniquely identify the source system from which data was extracted.
ENABLE	NUMBER	This flag indicates whether the Member is deleted or not enabled. 1 for yes and 0 for no. [Agile PLM] This field is derived and cannot be mapped to another Agile PLM attribute.
INTEGRATION_ID	VARCHAR2	Reserved. This column, in future releases, will be used to uniquely identify dimension or fact entity in its source system.
LAST_MODIFIED_DATE	DATE	Last modified date. [Agile PLM] This field is derived and cannot be mapped to another Agile PLM attribute.
LIST_ID	NUMBER	List ID associated with attribute.
NAME	VARCHAR2	Stop Ship Type Name
PC_SS_TYPE_ID	NUMBER	PC Stop Ship Type. Primary key that uniquely identifies the record.
ROW_ID	NUMBER	Reserved. In future releases, this will store Surrogate key to uniquely identify a record.

**PC\_SS\_WIP\_D**

Stop Ship WIPs Dimension Table. This table is conforming across the fact tables in SS Subject Area. Out of the box, this table is not populated with Agile PLM data. The table is populated only when the Agile PLM attributes are mapped using BI Configurator.

Column	Type	Comments
DATASOURCE_NUM_ID	NUMBER	Reserved. This column, in future releases, will uniquely identify the source system from which data was extracted.
ENABLE	NUMBER	This flag indicates whether the Member is deleted or not enabled. 1 for yes and 0 for no. [Agile PLM] This field is derived and cannot be mapped to another Agile PLM attribute.
INTEGRATION_ID	VARCHAR2	Reserved. This column, in future releases, will be used to uniquely identify dimension or fact entity in its source system.
LAST_MODIFIED_DATE	DATE	Last modified date. [Agile PLM] This field is derived and cannot be mapped to another Agile PLM attribute.
LIST_ID	NUMBER	List ID associated with attribute.
NAME	VARCHAR2	Stop Ship Work in Progress Name
PC_SS_WIP_ID	NUMBER	PC Stop Ship Work In Progress. Primary key that uniquely identifies the record.
ROW_ID	NUMBER	Reserved. In future releases, this will store Surrogate key to uniquely identify a record.

**PC\_SS\_WORKFLOW\_D**

Stop Ship Workflow Dimension Table. This table is conforming across the fact tables in SS Subject Area. Out of the box, this table contains all the workflows assigned to SS and the states within each of the workflow of Agile PLM.

Column	Type	Comments
CT_ENABLED	NUMBER	CT Enabled.
DATASOURCE_NUM_ID	NUMBER	Reserved. This column, in future releases, will uniquely identify the source system from which data was extracted.
ENABLE	NUMBER	This flag indicates whether the Member is deleted or not enabled. 1 for yes and 0 for no. [Agile PLM] This field is derived and cannot be mapped to another Agile PLM attribute.
INTEGRATION_ID	VARCHAR2	Reserved. This column, in future releases, will be used to uniquely identify dimension or fact entity in its source system.
LIST_ID	NUMBER	List ID associated with attribute.
PC_SS_WORKFLOW_ID	NUMBER	PC Stop Ship Workflow. Primary key that uniquely identifies the record.
ROW_ID	NUMBER	Reserved. In future releases, this will store Surrogate key to uniquely identify a record.
WORKFLOW	VARCHAR2	Workflow.
WORKFLOW_ID	NUMBER	Workflow.
WORKFLOW_STATE	VARCHAR2	Workflow State.
WORKFLOW_STATE_ID	NUMBER	Workflow State.
WORKFLOW_TYPE	VARCHAR2	Workflow Type.

**PC\_SS\_WORKFLOW\_DETAIL\_DATA**

Stop Ship Workflow Details Data Table. Stores the details of Agile PLM workflow such as status cycle time, status cycle time in progress for each combination of workflow states.

Column	Type	Comments
CUR_WKFLW_STATE_FLG	NUMBER	
DATASOURCE_NUM_ID	NUMBER	Reserved. This column, in future releases, will uniquely identify the source system from which data was extracted.
DURATION_DAYS	NUMBER	Duration Days. [Agile PLM] This field is derived and cannot be mapped to another Agile PLM attribute.
ENTRY_TIME_ID	NUMBER	Entry Time. [Agile PLM] This field is derived and cannot be mapped to another Agile PLM attribute.
EXIT_TIME_ID	NUMBER	Exit time of the From Workflow State. [Agile PLM] This field is derived and cannot be mapped to another Agile PLM attribute.
FROM_PC_SS_WORKFLOW_ID	NUMBER	From PC Stop Ship Workflow. [Agile PLM] This field is derived and cannot be mapped to another Agile PLM attribute.
INTEGRATION_ID	VARCHAR2	Reserved. This column, in future releases, will be used to uniquely identify dimension or fact entity in its source system.
OPEN_FLAG	NUMBER	This flag indicates whether the object is open, where the object has exited to the TO workflow state. 1 for yes and 0 for no. [Agile PLM] This field is derived and cannot be mapped to another Agile PLM attribute.
PC_SS_ID	NUMBER	PC Stop Ship. [Agile PLM] This field maps to the ID attribute in Stop Ship class.
PC_SS_WORKFLOW_ID	NUMBER	PC Stop Ship Workflow. [Agile PLM] This field is derived and cannot be mapped to another Agile PLM attribute.
ROW_ID	NUMBER	Reserved. In future releases, this will store Surrogate key to uniquely identify a record.
TO_PC_SS_WORKFLOW_ID	NUMBER	To PC Stop Ship Workflow. [Agile PLM] This field is derived and cannot be mapped to another Agile PLM attribute.

**PC\_SUPPLIER\_D**

Stores the Supplier data.

Column	Type	Comments
DATASOURCE_NUM_ID	NUMBER	Datasource number ID
ENABLE	NUMBER	Enable
INTEGRATION_ID	VARCHAR2	Integration ID
LAST_MODIFIED_DATE	DATE	Last modified date
LIST_ID	NUMBER	List ID
NAME	VARCHAR2	Name
ROW_WID	NUMBER	Row ID
SUPPLIER_ID	NUMBER	Supplier ID

***PLM\_ACTIVITY\_OWNER\_B***

Activities Owner Bridge Table. Maintains many to many relationships between activities, activity owners and the functional areas of the activity owners of Agile PLM.

<b>Column</b>	<b>Type</b>	<b>Comments</b>
ACTIVITY_WID	NUMBER	Activity WID
DATASOURCE_NUM_ID	NUMBER	Datasource number ID
FUNC_AREA_WID	NUMBER	Functional area WID
INTEGRATION_ID	VARCHAR2	Integration ID
LAST_MODIFIED_DATE	DATE	Last modified date
ROW_WID	NUMBER	Row WID
USER_WID	NUMBER	Activity owner

***PLM\_ACTIVITY\_TPL\_OWNER\_B***

Activities Template Owner Bridge Table. Maintains many to many relationships between activities and template owners of Agile PLM.

<b>Column</b>	<b>Type</b>	<b>Comments</b>
ACTIVITY_WID	NUMBER	Activity WID
DATASOURCE_NUM_ID	NUMBER	Datasource number ID
INTEGRATION_ID	VARCHAR2	Integration ID
LAST_MODIFIED_DATE	DATE	Last modified date
ROW_WID	NUMBER	Row WID
USER_WID	NUMBER	Template Owner WID

**PLM\_ACT\_STEP\_NOTIFIER\_B**

Activities Step Notifier Bridge Table. Maintains many to many relationships between step notifiers, activity workflows, activities and functional areas of Agile PLM.

Column	Type	Comments
ACTIVITY_WID	NUMBER	Activity WID
ACTIVITY_WKFLW_WID	NUMBER	Activity workflow WID
DATASOURCE_NUM_ID	NUMBER	Datasource number ID
FUNC_AREA_WID	NUMBER	Functional area WID
INTEGRATION_ID	VARCHAR2	Integration ID
LAST_MODIFIED_DATE	DATE	Last modified date
ROW_WID	NUMBER	Row WID
USER_WID	NUMBER	User WID

***PLM\_ACT\_STEP\_OWNER\_B***

Activities Step Owner Bridge Table. Maintains many to many relationships between activities, activity workflows, step owners and functional areas of Agile PLM.

<b>Column</b>	<b>Type</b>	<b>Comments</b>
ACTIVITY_WID	NUMBER	Activity WID
ACTIVITY_WKFLW_WID	NUMBER	Activity workflow WID
DATASOURCE_NUM_ID	NUMBER	Datasource number ID
FUNC_AREA_WID	NUMBER	Step owner functional area WID
INTEGRATION_ID	VARCHAR2	Integration ID
LAST_MODIFIED_DATE	DATE	Last modified date
ROW_WID	NUMBER	Row WID
USER_WID	NUMBER	Activity step owner WID

***PLM\_ACT\_STEP\_SIGNATORY\_B***

Activities Step Signatory Bridge Table. Maintains many to many relationships between step signatories, activity workflows, activities and functional areas of Agile PLM.

<b>Column</b>	<b>Type</b>	<b>Comments</b>
ACTIVITY_WID	NUMBER	Activity WID
ACTIVITY_WKFLW_WID	NUMBER	Activity workflow WID
DATASOURCE_NUM_ID	NUMBER	Datasource number ID
FUNC_AREA_WID	NUMBER	Functional area WID
INTEGRATION_ID	VARCHAR2	Integration ID
LAST_MODIFIED_DATE	DATE	Last modified date
ROW_WID	NUMBER	Row WID
USER_WID	NUMBER	User WID

**PLM\_BASIS\_D**

Basis Dimension Table.

Column	Type	Comments
BASIS_NAME	VARCHAR2	Basis name
BASIS_WID	NUMBER	Basis WID
DATASOURCE_NUM_ID	NUMBER	Datasource number ID
DELETE_FLG	NUMBER	Delete flag
INTEGRATION_ID	VARCHAR2	Integration ID
LAST_MODIFIED_DATE	DATE	Last modified date
ROW_WID	NUMBER	Row WID

**PLM\_BRAND\_D**

Project Brands Dimension Table. A Project Brand is the grain.

Column	Type	Comments
BRAND_NAME	VARCHAR2	Brand name
BRAND_WID	NUMBER	Brand WID
DATASOURCE_NUM_ID	NUMBER	Datasource number ID
DELETE_FLG	NUMBER	Delete flag
INTEGRATION_ID	VARCHAR2	Integration ID
LAST_MODIFIED_DATE	DATE	Last modified date
ROW_WID	NUMBER	Row WID

**PLM\_CATEGORY\_D**

Categories Dimension Table.

Column	Type	Comments
CATEGORY_NAME	VARCHAR2	Category name
CATEGORY_WID	NUMBER	Category WID
DATASOURCE_NUM_ID	NUMBER	Datasource number ID
DELETE_FLG	NUMBER	Delete flag
INTEGRATION_ID	VARCHAR2	Integration ID
LAST_MODIFIED_DATE	DATE	Last modified date
ROW_WID	NUMBER	Row WID

***PLM\_CHANNEL\_D***

Project Channel Dimension Table. This contains the master list of all the channels of a project.

<b>Column</b>	<b>Type</b>	<b>Comments</b>
CHANNEL_NAME	VARCHAR2	Channel name
CHANNEL_WID	NUMBER	Channel WID
DATASOURCE_NUM_ID	NUMBER	Datasource number ID
DELETE_FLG	NUMBER	Delete flag
INTEGRATION_ID	VARCHAR2	Integration ID
LAST_MODIFIED_DATE	DATE	Last modified date
ROW_WID	NUMBER	Row WID

***PLM\_DEMOGRAPH\_D***

Project Demograph Dimension Table. This contains the master list of all the demographs of a project.

<b>Column</b>	<b>Type</b>	<b>Comments</b>
DATASOURCE_NUM_ID	NUMBER	Datasource number ID
DELETE_FLG	NUMBER	Delete flag
DEMOGRAPH_NAME	VARCHAR2	Demographics name
DEMOGRAPH_WID	NUMBER	Demographics WID
INTEGRATION_ID	VARCHAR2	Integration ID
LAST_MODIFIED_DATE	DATE	Last modified date
ROW_WID	NUMBER	Row WID

***PLM\_FSCLYR\_D***

Fiscal Year Dimension Table.

<b>Column</b>	<b>Type</b>	<b>Comments</b>
DATASOURCE_NUM_ID	NUMBER	Datasource number ID
DELETE_FLG	NUMBER	Delete flag
FSCLYR_NAME	VARCHAR2	Fiscal year name
FSCLYR_WID	NUMBER	Fiscal year WID
INTEGRATION_ID	VARCHAR2	Integration ID
LAST_MODIFIED_DATE	DATE	Last modified date
ROW_WID	NUMBER	Row WID

***PLM\_FUNC\_AREA\_D***

Functional Area Dimension Table. Stores all the functional areas in the source system.

<b>Column</b>	<b>Type</b>	<b>Comments</b>
DATASOURCE_NUM_ID	NUMBER	Datasource number ID
DELETE_FLG	NUMBER	Delete flag
FUNC_AREA_NAME	VARCHAR2	Functional area name
FUNC_AREA_WID	NUMBER	Functional area WID
INTEGRATION_ID	VARCHAR2	Integration ID
LAST_MODIFIED_DATE	DATE	Last modified date
ROW_WID	NUMBER	Row WID

**PLM\_GATE\_SIGNATORY\_B**

Gate Signatory Bridge Table. Maintains many to many relationships between gates, signatories and functional areas.

Column	Type	Comments
BEYOND_RED_FLG	NUMBER	1 if current date > Red date and signatures are pending
BEYOND_AMBER_FLG	NUMBER	1 if current date > Amber date and signatures are pending
DATASOURCE_NUM_ID	NUMBER	Datasource number ID
FUNC_AREA_WID	NUMBER	Functional area WID
GATE_WID	NUMBER	Gate WID
INTEGRATION_ID	VARCHAR2	Integration ID
LAST_MODIFIED_DATE	DATE	Last modified date
ROW_WID	NUMBER	Row WID
USER_WID	NUMBER	User WID

***PLM\_GLOBAL\_CAT\_D***

Project Global Categories Dimension Table. This contains the master list of all the global categories of a project.

<b>Column</b>	<b>Type</b>	<b>Comments</b>
DATASOURCE_NUM_ID	NUMBER	Datasource number ID
DELETE_FLG	NUMBER	Delete flag
GLOBAL_CAT_NAME	VARCHAR2	Global category name
GLOBAL_CAT_WID	NUMBER	Global category WID
INTEGRATION_ID	VARCHAR2	Integration ID
LAST_MODIFIED_DATE	DATE	Last modified date
ROW_WID	NUMBER	Row WID

***PLM\_ISP\_TITLE\_D***

Project ISP Title Dimension Table. This contains the master list of all the ISP Title of a project.

<b>Column</b>	<b>Type</b>	<b>Comments</b>
DATASOURCE_NUM_ID	NUMBER	Datasource number ID
DELETE_FLG	NUMBER	Delete flag
INTEGRATION_ID	VARCHAR2	Integration ID
ISP_NUMBER	VARCHAR2	ISP number
ISP_TITLE	VARCHAR2	ISP title
ISP_TITLE_WID	NUMBER	ISP title WID
LAST_MODIFIED_DATE	DATE	Last modified date
ROW_WID	NUMBER	Row WID

**PLM\_LANG\_DATA**

Project Language Data Table. Stores translated strings for dimension tables. Data is extracted from localized strings for all lists managed within Agile PLM.

Column	Type	Comments
DATASOURCE_NUM_ID	NUMBER	Reserved. This column, in future releases, will uniquely identify the source system from which data was extracted.
ID	NUMBER	ID.
INTEGRATION_ID	VARCHAR2	Reserved. This column, in future releases, will be used to uniquely identify dimension or fact entity in its source system.
LANG_ID	NUMBER	Language ID.
LIST_ID	NUMBER	List ID associated with attribute.
NAME	VARCHAR2	Name Of the Dimension Members in multiple Languages
ROW_ID	NUMBER	Reserved. In future releases, this will store Surrogate key to uniquely identify a record.

**PLM\_LANG\_LOOKUP**

Language Lookup Table. Used for mapping the language strings to language ID in translation strings table (PLM\_LANG\_DATA).

Column	Type	Comments
DATASOURCE_NUM_ID	NUMBER	Reserved. This column, in future releases, will uniquely identify the source system from which data was extracted.
INTEGRATION_ID	VARCHAR2	Reserved. This column, in future releases, will be used to uniquely identify dimension or fact entity in its source system.
OBIEE_LOCALE	VARCHAR2	Obiee Locale.
PLM_LANG_ID	NUMBER	Plm Language ID.
ROW_ID	NUMBER	Reserved. In future releases, this will store Surrogate key to uniquely identify a record.

***PLM\_LEAD\_CNTRY\_D***

Project Lead Countries Dimension. Stores the master list of all the lead countries of a project.

<b>Column</b>	<b>Type</b>	<b>Comments</b>
COUNTRY_NAME	VARCHAR2	Country name
COUNTRY_WID	NUMBER	Country WID
DATASOURCE_NUM_ID	NUMBER	Datasource number ID
DELETE_FLG	NUMBER	Delete flag
INTEGRATION_ID	VARCHAR2	Integration ID
LAST_MODIFIED_DATE	DATE	Last modified date
ROW_WID	NUMBER	Row WID

***PLM\_METRIC\_PHASE\_D***

Metric Phase Dimension Table.

<b>Column</b>	<b>Type</b>	<b>Comments</b>
DATASOURCE_NUM_ID	NUMBER	Datasource number ID
DELETE_FLG	NUMBER	Delete flag
INTEGRATION_ID	VARCHAR2	Integration ID
LAST_MODIFIED_DATE	DATE	Last modified date
METRIC_PHASE_NAME	VARCHAR2	Metric phase name
METRIC_PHASE_WID	NUMBER	Metric phase WID
ROW_WID	NUMBER	Row WID

***PLM\_PHASE\_FUNC\_AREA\_B***

Functional Areas and Phases Bridge Table. Maintains many to many relationships between functional areas and phases.

<b>Column</b>	<b>Type</b>	<b>Comments</b>
DATASOURCE_NUM_ID	NUMBER	Datasource number ID
FUNC_AREA_WID	NUMBER	Functional area WID
INTEGRATION_ID	VARCHAR2	Integration ID
LAST_MODIFIED_DATE	DATE	Last modified date
PHASE_WID	NUMBER	Phase WID
ROW_WID	NUMBER	Row WID

***PLM\_PHASE\_GATE\_KEEPER\_B***

Phases and Gate Keepers Bridge Table. Maintains many to many relationships between phases and gate keepers.

<b>Column</b>	<b>Type</b>	<b>Comments</b>
DATASOURCE_NUM_ID	NUMBER	Datasource number ID
INTEGRATION_ID	VARCHAR2	Integration ID
LAST_MODIFIED_DATE	DATE	Last modified date
PHASE_WID	NUMBER	Phase WID
ROW_WID	NUMBER	Row WID
USER_WID	NUMBER	User WID

***PLM\_PHASE\_REVIEWER\_B***

Phases and Reviewers Bridge Table. Maintains many to many relationships between phases and reviewers.

<b>Column</b>	<b>Type</b>	<b>Comments</b>
DATASOURCE_NUM_ID	NUMBER	Datasource number ID
INTEGRATION_ID	VARCHAR2	Integration ID
LAST_MODIFIED_DATE	DATE	Last modified date
PHASE_WID	NUMBER	Phase WID
ROW_WID	NUMBER	Row WID
USER_WID	NUMBER	User WID

***PLM\_PHASE\_TEAM\_LEADER\_B***

Phases and Team Leaders Bridge Table. Maintains many to many relationships between phases and team leaders.

<b>Column</b>	<b>Type</b>	<b>Comments</b>
DATASOURCE_NUM_ID	NUMBER	Datasource number ID
INTEGRATION_ID	VARCHAR2	Integration ID
LAST_MODIFIED_DATE	DATE	Last modified date
PHASE_WID	NUMBER	Phase WID
ROW_WID	NUMBER	Row WID
USER_WID	NUMBER	User WID

***PLM\_PHASE\_TEAM\_MEM\_B***

Phases and Team Members Bridge Table. Maintains many to many relationships between phases and team members.

<b>Column</b>	<b>Type</b>	<b>Comments</b>
DATASOURCE_NUM_ID	NUMBER	Datasource number ID
INTEGRATION_ID	VARCHAR2	Integration ID
LAST_MODIFIED_DATE	DATE	Last modified date
PHASE_WID	NUMBER	Phase WID
ROW_WID	NUMBER	Row WID
USER_WID	NUMBER	User WID

***PLM\_PRJ\_BRAND\_B***

Projects and Brands Bridge Table. Maintains many to many relationships between projects and brands.

<b>Column</b>	<b>Type</b>	<b>Comments</b>
BRAND_WID	NUMBER	Brand WID
DATASOURCE_NUM_ID	NUMBER	Datasource number ID
INTEGRATION_ID	VARCHAR2	Integration ID
LAST_MODIFIED_DATE	DATE	Last modified date
PRJ_WID	NUMBER	Project WID
ROW_WID	NUMBER	Row WID

***PLM\_PRJ\_BUS\_UNIT\_B***

Projects and Business Units Bridge Table. Maintains many to many relationships between projects and business units.

<b>Column</b>	<b>Type</b>	<b>Comments</b>
BUS_UNIT_WID	NUMBER	Business unit WID
DATASOURCE_NUM_ID	NUMBER	Datasource number ID
INTEGRATION_ID	VARCHAR2	Integration ID
LAST_MODIFIED_DATE	DATE	Last modified date
PRJ_WID	NUMBER	Project WID
ROW_WID	NUMBER	Row WID

***PLM\_PRJ\_CHANNEL\_B***

Projects and Channels Bridge Table. Maintains many to many relationships between projects and channels.

<b>Column</b>	<b>Type</b>	<b>Comments</b>
CHANNEL_WID	NUMBER	Channel WID
DATASOURCE_NUM_ID	NUMBER	Datasource number ID
INTEGRATION_ID	VARCHAR2	Integration ID
LAST_MODIFIED_DATE	DATE	Last modified date
PRJ_WID	NUMBER	Project WID
ROW_WID	NUMBER	Row WID

***PLM\_PRJ\_DEMOGRAPH\_B***

Projects and Demographics Bridge Table. Maintains many to many relationships between projects and demographics.

<b>Column</b>	<b>Type</b>	<b>Comments</b>
DATASOURCE_NUM_ID	NUMBER	Datasource number ID
DEMOGRAPH_WID	NUMBER	Demographics WID
INTEGRATION_ID	VARCHAR2	Integration ID
LAST_MODIFIED_DATE	DATE	Last modified date
PRJ_WID	NUMBER	Project WID
ROW_WID	NUMBER	Row WID

***PLM\_PRJ\_FUNC\_AREA\_B***

Projects and Functional Areas Bridge Table. Maintains many to many relationships between projects and functional areas.

<b>Column</b>	<b>Type</b>	<b>Comments</b>
DATASOURCE_NUM_ID	NUMBER	Datasource number ID
FUNC_AREA_WID	NUMBER	Functional area WID
INTEGRATION_ID	VARCHAR2	Integration ID
LAST_MODIFIED_DATE	DATE	Last modified date
PRJ_WID	NUMBER	Project WID
ROW_WID	NUMBER	Row WID

***PLM\_PRJ\_GATE\_KEEPER\_B***

Projects and Gate Keepers Bridge Table. Maintains many to many relationships between projects and gate keepers.

<b>Column</b>	<b>Type</b>	<b>Comments</b>
DATASOURCE_NUM_ID	NUMBER	Datasource number ID
INTEGRATION_ID	VARCHAR2	Integration ID
LAST_MODIFIED_DATE	DATE	Last modified date
PRJ_WID	NUMBER	Project WID
ROW_WID	NUMBER	Row WID
USER_WID	NUMBER	User WID

***PLM\_PRJ\_GLOBAL\_CAT\_B***

Projects and Global Categories Bridge Table. Maintains many to many relationships between projects and global categories.

<b>Column</b>	<b>Type</b>	<b>Comments</b>
DATASOURCE_NUM_ID	NUMBER	Datasource number ID
GLOBAL_CAT_WID	NUMBER	Global category WID
INTEGRATION_ID	VARCHAR2	Integration ID
LAST_MODIFIED_DATE	DATE	Last modified date
PRJ_WID	NUMBER	Project WID
ROW_WID	NUMBER	Row WID

***PLM\_PRJ\_ISP\_B***

Projects and ISP Bridge Table. Maintains many to many relationships between projects and ISP titles.

<b>Column</b>	<b>Type</b>	<b>Comments</b>
DATASOURCE_NUM_ID	NUMBER	Datasource number ID
INTEGRATION_ID	VARCHAR2	Integration ID
ISP_TITLE_WID	NUMBER	Isp title WID
LAST_MODIFIED_DATE	DATE	Last modified date
PRJ_WID	NUMBER	Project WID
ROW_WID	NUMBER	Row WID

***PLM\_PRJ\_LEAD\_CNTRY\_B***

Project Lead Countries Bridge Table. Maintains many to many relationships between projects and lead countries.

<b>Column</b>	<b>Type</b>	<b>Comments</b>
COUNTRY_WID	NUMBER	Country WID
DATASOURCE_NUM_ID	NUMBER	Datasource number ID
INTEGRATION_ID	VARCHAR2	Integration ID
LAST_MODIFIED_DATE	DATE	Last modified date
PRJ_WID	NUMBER	Project WID
ROW_WID	NUMBER	Row WID

**PLM\_PRJ\_METRICS\_F**

Fact table that stores project metrics data such as 3 year NPV for Agile PLM for process source

Column	Type	Comments
ANNUAL_CASE_VOLUME	NUMBER	Annual case volume
BASIS_WID	NUMBER	Basis WID
CATEGORY_WID	NUMBER	Category WID
DATASOURCE_NUM_ID	NUMBER	Datasource number ID
DELETE_FLG	NUMBER	Delete flag
FSCLYR_WID	NUMBER	Fiscal year WID
INTEGRATION_ID	VARCHAR2	Integration ID
LAST_MODIFIED_DATE	DATE	Last modified date
PHASE_WID	NUMBER	Phase WID
PRJ_ACT_END_DATE	NUMBER	Project actual end date. The format is YYYYMMDD.
PRJ_ACT_LAUNCH_DATE	NUMBER	Project actual launch date. The format is YYYYMMDD.
PRJ_ACT_START_DATE	NUMBER	Project actual start date. The format is YYYYMMDD.
PRJ_SCH_END_DATE	NUMBER	Project scheduled end date. The format is YYYYMMDD.
PRJ_SCH_LAUNCH_DATE	NUMBER	Project scheduled launch date. The format is YYYYMMDD.
PRJ_SCH_START_DATE	NUMBER	Project scheduled start date. The format is YYYYMMDD.
PROJECT_WID	NUMBER	Project WID
ROW_WID	NUMBER	Row WID
THREE_YR_NPV	NUMBER	Three year NPV

***PLM\_PRJ\_REVIEWER\_B***

Project Reviewers Bridge table. Maintains many to many relationships between projects and reviewers.

<b>Column</b>	<b>Type</b>	<b>Comments</b>
DATASOURCE_NUM_ID	NUMBER	Datasource number ID
INTEGRATION_ID	VARCHAR2	Integration ID
LAST_MODIFIED_DATE	DATE	Last modified date
PRJ_WID	NUMBER	Project WID
ROW_WID	NUMBER	Row WID
USER_WID	NUMBER	User WID

***PLM\_PRJ\_STRAT\_BRIEF\_B***

Project Strategic Briefs Bridge Table. Maintains many to many relationships between projects and strategic briefs.

<b>Column</b>	<b>Type</b>	<b>Comments</b>
DATASOURCE_NUM_ID	NUMBER	Datasource number ID
INTEGRATION_ID	VARCHAR2	Integration ID
LAST_MODIFIED_DATE	DATE	Last modified date
PRJ_WID	NUMBER	Project WID
ROW_WID	NUMBER	Row WID
STRAT_BRIEF_WID	NUMBER	Strat brief WID

***PLM\_PRJ\_TEAM\_LEADER\_B***

Project Team leaders Bridge Table. Maintains many to many relationships between projects and team leaders.

<b>Column</b>	<b>Type</b>	<b>Comments</b>
DATASOURCE_NUM_ID	NUMBER	Datasource number ID
INTEGRATION_ID	VARCHAR2	Integration ID
LAST_MODIFIED_DATE	DATE	Last modified date
PRJ_WID	NUMBER	Project WID
ROW_WID	NUMBER	Row WID
USER_WID	NUMBER	User WID

***PLM\_PRJ\_TEAM\_MEM\_B***

Project Team Members Bridge Table. Maintains many to many relationships between projects and team members.

<b>Column</b>	<b>Type</b>	<b>Comments</b>
DATASOURCE_NUM_ID	NUMBER	Datasource number ID
INTEGRATION_ID	VARCHAR2	Integration ID
LAST_MODIFIED_DATE	DATE	Last modified date
PRJ_WID	NUMBER	Project WID
ROW_WID	NUMBER	Row WID
USER_WID	NUMBER	User WID

***PLM\_PRJ\_TRADE\_SPEC\_B***

Project Trade Specifications Bridge Table. Maintains many to many relationships between project trade specifications and the projects.

<b>Column</b>	<b>Type</b>	<b>Comments</b>
DATASOURCE_NUM_ID	NUMBER	Datasource number ID
INTEGRATION_ID	VARCHAR2	Integration ID
LAST_MODIFIED_DATE	DATE	Last modified date
PRJ_WID	NUMBER	Project WID
ROW_WID	NUMBER	Row WID
TRADE_SPEC_WID	NUMBER	Trade specification WID

***PLM\_PRJ\_TYPE\_B***

Project Types Bridge Table. Maintains many to many relationships between projects, project templates and the project types.

Column	Type	Comments
DATASOURCE_NUM_ID	NUMBER	Datasource number ID
INTEGRATION_ID	VARCHAR2	Integration ID
LAST_MODIFIED_DATE	DATE	Last modified date
PRJ_TYPE_WID	NUMBER	Project Type WID
PRJ_WID	NUMBER	Project WID
ROW_WID	NUMBER	Row WID

***PLM\_PRJ\_TYPE\_D***

Project Types Dimension Table. This is a hierarchy. This table stores the master list of all the project types of a project.

<b>Column</b>	<b>Type</b>	<b>Comments</b>
DATASOURCE_NUM_ID	NUMBER	Datasource number ID
DELETE_FLG	NUMBER	Delete flag
INTEGRATION_ID	VARCHAR2	Integration ID
LAST_MODIFIED_DATE	DATE	Last modified date
PRJ_TYPE	VARCHAR2	Project type
PRJ_TYPE_WID	NUMBER	Project type WID
ROW_WID	NUMBER	Row WID

***PLM\_PRJ\_VISIBILITY\_B***

Project Visibility Bridge Table. Maintains many to many relationships between the project visibilities and the projects.

Column	Type	Comments
DATASOURCE_NUM_ID	NUMBER	Datasource number ID
INTEGRATION_ID	VARCHAR2	Integration ID
LAST_MODIFIED_DATE	DATE	Last modified date
PRJ_VISIBILITY_WID	NUMBER	Project visibility WID
PRJ_WID	NUMBER	Project WID
ROW_WID	NUMBER	Row WID

***PLM\_PRJ\_VISIBILITY\_D***

Project Visibility Dimension table.

<b>Column</b>	<b>Type</b>	<b>Comments</b>
DATASOURCE_NUM_ID	NUMBER	Datasource number ID
DELETE_FLG	NUMBER	Delete flag
INTEGRATION_ID	VARCHAR2	Integration ID
LAST_MODIFIED_DATE	DATE	Last modified date
PRJ_VISIBILITY_NAME	VARCHAR2	Project visibility name
PRJ_VISIBILITY_WID	NUMBER	Project visibility WID
ROW_WID	NUMBER	Row WID

***PLM\_SPEC\_BUS\_UNIT\_B***

Business Units and Specifications Bridge Table. Maintains many to many relationships between specifications and business units.

<b>Column</b>	<b>Type</b>	<b>Comments</b>
DATASOURCE_NUM_ID	NUMBER	Datasource number ID
INTEGRATION_ID	VARCHAR2	Integration ID
LAST_MODIFIED_DATE	DATE	Last modified date
ROW_WID	NUMBER	Row WID
SPEC_BUS_UNIT_WID	NUMBER	Specification business unit WID
SPEC_WID	NUMBER	Specification WID

***PLM\_SPEC\_BUS\_UNIT\_D***

Business Unit Specifications Dimension Table.

<b>Column</b>	<b>Type</b>	<b>Comments</b>
DATASOURCE_NUM_ID	NUMBER	Datasource number ID
DELETE_FLG	NUMBER	Delete flag
INTEGRATION_ID	VARCHAR2	Integration ID
LAST_MODIFIED_DATE	DATE	Last modified date
ROW_WID	NUMBER	Row WID
SPEC_BUS_UNIT_NAME	VARCHAR2	Specification business unit name
SPEC_BUS_UNIT_WID	NUMBER	Specification business unit WID

***PLM\_SPEC\_CLASSIFY\_B***

Classifications and Specifications Bridge Table. Maintains many to many relationships between specifications and the classifications.

<b>Column</b>	<b>Type</b>	<b>Comments</b>
DATASOURCE_NUM_ID	NUMBER	Datasource number ID
INTEGRATION_ID	VARCHAR2	Integration ID
LAST_MODIFIED_DATE	DATE	Last modified date
ROW_WID	NUMBER	Row WID
SPEC_CLASSIFY_WID	NUMBER	Specification classification WID
SPEC_WID	NUMBER	Specification WID

***PLM\_SPEC\_CLASSIFY\_D***

Classification Specifications Dimension Table. Stores Ingredient, product and Nutrient Profile specifications. A Classification is the grain.

<b>Column</b>	<b>Type</b>	<b>Comments</b>
DATASOURCE_NUM_ID	NUMBER	Datasource number ID
DELETE_FLG	NUMBER	Delete flag
INTEGRATION_ID	VARCHAR2	Integration ID
LAST_MODIFIED_DATE	DATE	Last modified date
ROW_WID	NUMBER	Row WID
SPEC_CLASSIFY_NAME	VARCHAR2	Classification name
SPEC_CLASSIFY_WID	NUMBER	Classification WID

***PLM\_SPEC\_CNTRY\_ORIGIN\_B***

Country of Origin and Specifications Bridge Table. Maintains many to many relationships between the countries of origin and specifications.

<b>Column</b>	<b>Type</b>	<b>Comments</b>
DATASOURCE_NUM_ID	NUMBER	Datasource number ID
INTEGRATION_ID	VARCHAR2	Integration ID
LAST_MODIFIED_DATE	DATE	Last modified date
ROW_WID	NUMBER	Row WID
SPEC_CNTRY_ORIGIN_WID	NUMBER	Country of origin WID
SPEC_WID	NUMBER	Specification WID

***PLM\_SPEC\_CNTRY\_ORIGIN\_D***

Country of Origin and Specifications Dimension Table. Contains trade and ingredient specifications.

<b>Column</b>	<b>Type</b>	<b>Comments</b>
DATASOURCE_NUM_ID	NUMBER	Datasource number ID
DELETE_FLG	NUMBER	Delete flag
INTEGRATION_ID	VARCHAR2	Integration ID
LAST_MODIFIED_DATE	DATE	Last modified date
ROW_WID	NUMBER	Row WID
SPEC_CNTRY_ORIGIN_NAME	VARCHAR2	Country of origin name
SPEC_CNTRY_ORIGIN_WID	NUMBER	Country of origin WID

**PLM\_SPEC\_D**

## Specifications Dimension Table.

Column	Type	Comments
AMOUNT_PER_SERVING_MAJOR	NUMBER	Amount per serving major attribute. This column gets populated only for nutrient profile specifications.
AMOUNT_PER_SERVING_MINOR	NUMBER	Amount per serving minor attribute. This column gets populated only for nutrient profile specifications.
APPEARANCE	VARCHAR2	Brand attribute. This column gets populated only for trade and printed packaging specifications.
AVAILABLE_DATE	DATE	Brand description attribute. This column gets populated only for trade specifications. The format is YYYYMMDD.
BRAND	VARCHAR2	Brand attribute. This column gets populated only for trade and printed packaging specifications.
BRAND_DESCRIPTION	VARCHAR2	Brand description attribute. This column gets populated only for trade specifications.
DATASOURCE_NUM_ID	NUMBER	Datasource number ID
DELETE_FLG	NUMBER	Delete flag
DESCRIPTION	VARCHAR2	Description
EFFECTIVE_DATE	DATE	Effective date. The format is YYYYMMDD.
END_AVAILABLE_DATE	DATE	End available date attribute. This column gets populated only for trade specifications. The format is YYYYMMDD.
GPC_CODE	VARCHAR2	GPC Code attribute. This column gets populated only for trade specifications.
GTIN_UPC_EAN	VARCHAR2	GTIN/UPC/EAN attribute. This column gets populated only for trade specifications.
HAS_REJECT_FLG	NUMBER	Has reject flag
INGREDIENT_STATEMENT	VARCHAR2	Ingredient Statement attribute. This column gets populated only for nutrient profile specifications.
INTEGRATION_ID	VARCHAR2	Integration ID
IN_ACTIVE_DATE	DATE	In active date. The format is YYYYMMDD.
ISSUE_NUMBER	VARCHAR2	Issue number
ITEM_TYPE	VARCHAR2	ITEM_TYPE attribute. This column gets populated only for trade specifications.
LABEL_OWNER	VARCHAR2	LABEL_OWNER attribute. This column gets populated only for trade specifications.
LAST_MODIFIED_DATE	DATE	Last modified date
MENU_ITEM	VARCHAR2	Menu item attribute. This column gets populated only for menu item specifications.
ORIGINATOR	VARCHAR2	Originator
PACKAGING	VARCHAR2	Packaging attribute. This column gets populated only for menu item specifications.
PACKAGING_DESC	VARCHAR2	Packaging description attribute. This column gets populated only for Packaging Material specifications.
PLU_DESCRIPTION	VARCHAR2	PLU Description attribute. This column gets populated only for trade specifications.
POS_DESCRIPTION	VARCHAR2	POS Description attribute. This column gets populated only for trade specifications.
PRODUCT_NAME	VARCHAR2	Product name attribute. This column gets populated only for trade specifications.

PROJECT_NAME	VARCHAR2	Project Name attribute. This column gets populated only for Formulation specifications.
RAG_STATUS	VARCHAR2	Red Amber Green status
REASON_CHANGE	VARCHAR2	Reason for change attribute. This column gets populated for all specifications.
REASON_FOR_CHANGE	VARCHAR2	Reason for change
REF_WEIGHT	NUMBER	Reference weight attribute. This column gets populated only for packaging material and printed packaging specifications.
REF_WEIGHT_UOM	VARCHAR2	Reference weight uom attribute. This column gets populated only for packaging material and printed packaging specifications.
REL_HUMIDITY	VARCHAR2	Relative humidity attribute. This column gets populated only for packaging material specifications.
ROW_WID	NUMBER	Row WID
SENSORY	VARCHAR2	Sensory attribute. This column gets populated only for menu item specifications.
SERVE_PACK_LABEL	VARCHAR2	Serve pack label
SERVE_PER_PACK	NUMBER	Serving per pack attribute. This column gets populated only for nutrient profile specifications.
SERVING_SIZE	VARCHAR2	Serving size attribute. This column gets populated only for nutrient profile specifications.
SHIPPING_INSTRUCTIONS	VARCHAR2	Shipping instructions attribute. This column gets populated only for Ingredient and product specifications.
SPEC_NAME	VARCHAR2	Specification name
SPEC_NUMBER	VARCHAR2	Specification number
SPEC_STATUS	VARCHAR2	Specification status
SPEC_STEP_TEMPLATE_NAME	VARCHAR2	Specification step template name
SPEC_WID	NUMBER	Specification WID
STANDARD	VARCHAR2	Standard attribute. This column gets populated only for menu item and product specifications.
STORAGE_INSTRUCTIONS	VARCHAR2	Storage instructions attribute. This column gets populated only for packaging material and product specifications.
SUB_BRAND	VARCHAR2	Sub brand attribute. This column gets populated only for trade specifications.
SUPERCEDES	VARCHAR2	Supercedes
TRADING_COMPANY	VARCHAR2	Trading company attribute. This column gets populated only for trade specifications.
UDEX_CLASSIFICATION	VARCHAR2	UDEX CLASSIFICATION attribute. This column gets populated only for trade specifications.
UNSPSC_CODE	VARCHAR2	UNSPSC CODE attribute. This column gets populated only for trade specifications.
VARIETY_TITLE	VARCHAR2	Variety title attribute. This column gets populated only for printed packaging specifications.
WORKFLOW_FLG	NUMBER	Workflow flag
WORKFLOW_NAME	VARCHAR2	Workflow name

**PLM\_SPEC\_F**

Specifications Fact Table. A Specification is the grain. The types of specifications are trade, formulation, ingredient, packaging material, printed packaging, menu item, product and nutrient profile. Each instance of these types is a row in the fact table.

Column	Type	Comments
APPROVE_DATE	NUMBER	Approve date. The format is YYYYMMDD.
APPR_FLG	NUMBER	Approval flag
CREATE_DATE	NUMBER	Create date of the specification. The format is YYYYMMDD.
DATASOURCE_NUM_ID	NUMBER	Datasource number ID
DELETE_FLG	NUMBER	Delete flag
INTEGRATION_ID	VARCHAR2	Integration ID
LAST_MODIFIED_DATE	DATE	Last modified date
NEW_SPEC_FLG	NUMBER	New specification flag
OPEN_SPECS_IN_PROCESS_TIME	NUMBER	Open specifications - in process cycle time. Current date -specification create date by create date
ROW_WID	NUMBER	Row WID
SPEC_CREATE_APPR_CYCLE_TIME	NUMBER	Specification create to approve cycle time. (Date on which Specification entered workflow step containing "Is Approved" tag -Specification create date) by create date
SPEC_TAXONOMY_WID	NUMBER	Specification taxonomy WID
SPEC_TYPE_WID	NUMBER	Specification type WID
SPEC_WID	NUMBER	Specification WID

***PLM\_SPEC\_LANG\_B***

Language and Specifications Bridge Table. Maintains many to many relationships between printed packaging and the printed packaging languages.

<b>Column</b>	<b>Type</b>	<b>Comments</b>
DATASOURCE_NUM_ID	NUMBER	Datasource number ID
INTEGRATION_ID	VARCHAR2	Integration ID
LAST_MODIFIED_DATE	DATE	Last modified date
ROW_WID	NUMBER	Row WID
SPEC_LANG_WID	NUMBER	Specification language WID
SPEC_WID	NUMBER	Specification WID

***PLM\_SPEC\_LANG\_D***

Language Specifications Dimension Table. Stores language attributes for printed packaging.

<b>Column</b>	<b>Type</b>	<b>Comments</b>
DATASOURCE_NUM_ID	NUMBER	Datasource number ID
DELETE_FLG	NUMBER	Delete flag
INTEGRATION_ID	VARCHAR2	Integration ID
LAST_MODIFIED_DATE	DATE	Last modified date
ROW_WID	NUMBER	Row WID
SPEC_LANG_NAME	VARCHAR2	Specification language name
SPEC_LANG_WID	NUMBER	Specification language WID

***PLM\_SPEC\_MAT\_TYPE\_B***

Material Type and Specifications Bridge Table. Maintains many to many relationships between the ingredient specifications and material types.

<b>Column</b>	<b>Type</b>	<b>Comments</b>
DATASOURCE_NUM_ID	NUMBER	Datasource number ID
INTEGRATION_ID	VARCHAR2	Integration ID
LAST_MODIFIED_DATE	DATE	Last modified date
ROW_WID	NUMBER	Row WID
SPEC_MAT_TYPE_WID	NUMBER	Specification material type WID
SPEC_WID	NUMBER	Specification WID

***PLM\_SPEC\_MAT\_TYPE\_D***

Material types Dimension Table. Stores ingredient specifications. A Material Type is the grain.

<b>Column</b>	<b>Type</b>	<b>Comments</b>
DATASOURCE_NUM_ID	NUMBER	Datasource number ID
DELETE_FLG	NUMBER	Delete flag
INTEGRATION_ID	VARCHAR2	Integration ID
LAST_MODIFIED_DATE	DATE	Last modified date
MAT_TYPE_NAME	VARCHAR2	Material type name
MAT_TYPE_WID	NUMBER	Material type WID
ROW_WID	NUMBER	Row WID

***PLM\_SPEC\_MENU\_CLASS\_B***

Menu Classes and Specifications Bridge Table. Maintains many to many relationships between the menu item classes and menu items.

<b>Column</b>	<b>Type</b>	<b>Comments</b>
DATASOURCE_NUM_ID	NUMBER	Datasource number ID
INTEGRATION_ID	VARCHAR2	Integration ID
LAST_MODIFIED_DATE	DATE	Last modified date
ROW_WID	NUMBER	Row WID
SPEC_MENU_ITEM_CLASS_WID	NUMBER	Specification menu item class WID
SPEC_WID	NUMBER	Specification WID

***PLM\_SPEC\_MENU\_CLASS\_D***

Menu item class dimension table. A Menu Item Class is the grain.

<b>Column</b>	<b>Type</b>	<b>Comments</b>
DATASOURCE_NUM_ID	NUMBER	Datasource number ID
DELETE_FLG	NUMBER	Delete flag
INTEGRATION_ID	VARCHAR2	Integration ID
LAST_MODIFIED_DATE	DATE	Last modified date
ROW_WID	NUMBER	Row WID
SPEC_MENU_ITEM_CLASS_NAME	VARCHAR2	Specification menu item class name
SPEC_MENU_ITEM_CLASS_WID	NUMBER	Specification menu item class WID

***PLM\_SPEC\_SHIP\_COND\_B***

Shipping Conditions Bridge Table. Maintains many to many relationships between products and shipping conditions.

<b>Column</b>	<b>Type</b>	<b>Comments</b>
DATASOURCE_NUM_ID	NUMBER	Datasource number ID
INTEGRATION_ID	VARCHAR2	Integration ID
LAST_MODIFIED_DATE	DATE	Last modified date
ROW_WID	NUMBER	Row WID
SPEC_SHIP_COND_WID	NUMBER	Shipping condition WID
SPEC_WID	NUMBER	Specification WID

***PLM\_SPEC\_SHIP\_COND\_D***

Shipping Conditions Dimension Table. Stores product shipping conditions.

<b>Column</b>	<b>Type</b>	<b>Comments</b>
DATASOURCE_NUM_ID	NUMBER	Datasource number ID
DELETE_FLG	NUMBER	Delete flag
INTEGRATION_ID	VARCHAR2	Integration ID
LAST_MODIFIED_DATE	DATE	Last modified date
ROW_WID	NUMBER	Row WID
SPEC_SHIP_COND_NAME	VARCHAR2	Shipping condition name
SPEC_SHIP_COND_WID	NUMBER	Shipping condition WID

***PLM\_SPEC\_SHIP\_REQ\_B***

Specifications and Shipping Requirements Bridge Table. Maintains many to many relationships between ingredient shipping requirements and the specifications.

<b>Column</b>	<b>Type</b>	<b>Comments</b>
DATASOURCE_NUM_ID	NUMBER	Datasource number ID
INTEGRATION_ID	VARCHAR2	Integration ID
LAST_MODIFIED_DATE	DATE	Last modified date
ROW_WID	NUMBER	Row WID
SPEC_SHIP_REQ_WID	NUMBER	Ingredient shipping requirement WID
SPEC_WID	NUMBER	Specification WID

**PLM\_SPEC\_SHIP\_REQ\_D**

Shipping Requirements Dimension Table. Stores ingredient shipping requirements.

Column	Type	Comments
DATASOURCE_NUM_ID	NUMBER	Datasource number ID
DELETE_FLG	NUMBER	Delete flag
INTEGRATION_ID	VARCHAR2	Integration ID
LAST_MODIFIED_DATE	DATE	Last modified date
ROW_WID	NUMBER	Row WID
SPEC_SHIP_REQ_NAME	VARCHAR2	Ingredient shipping requirement name
SPEC_SHIP_REQ_WID	NUMBER	Ingredient shipping requirement WID

***PLM\_SPEC\_SPCL\_ATTR\_B***

Specifications and Special Attributes Bridge Table. Maintains many to many relationships between specifications and special attributes.

<b>Column</b>	<b>Type</b>	<b>Comments</b>
DATASOURCE_NUM_ID	NUMBER	Datasource number ID
INTEGRATION_ID	VARCHAR2	Integration ID
LAST_MODIFIED_DATE	DATE	Last modified date
ROW_WID	NUMBER	Row WID
SPEC_SPCL_ATTR_WID	NUMBER	Specification special attribute WID
SPEC_WID	NUMBER	Specification WID

***PLM\_SPEC\_SPCL\_ATTR\_D***

Specification Special Attributes Dimension Table.

<b>Column</b>	<b>Type</b>	<b>Comments</b>
DATASOURCE_NUM_ID	NUMBER	Datasource number ID
DELETE_FLG	NUMBER	Delete flag
INTEGRATION_ID	VARCHAR2	Integration ID
LAST_MODIFIED_DATE	DATE	Last modified date
ROW_WID	NUMBER	Row WID
SPEC_SPCL_ATTR_NAME	VARCHAR2	Specificationial special attribute name
SPEC_SPCL_ATTR_WID	NUMBER	Specificationial special attribute WID

**PLM\_SPEC\_STEP\_D**

Specification Step Dimension Table. A Specification and its Step is the grain.

Column	Type	Comments
DATASOURCE_NUM_ID	NUMBER	Datasource number ID
DELETE_FLG	NUMBER	Delete flag
INTEGRATION_ID	VARCHAR2	Integration ID
LAST_MODIFIED_DATE	DATE	Last modified date
ROW_WID	NUMBER	Row WID
SPEC_STEP_WID	NUMBER	Specification step WID
STEP_NAME	VARCHAR2	Step name
STEP_NUMBER	VARCHAR2	Step number
TERMINAL_STEP_FLG	NUMBER	Terminal step flag

***PLM\_SPEC\_STEP\_OWNER\_B***

Specification Steps and Owners. Bridge Table. Maintains many to many relationships between specification steps and owners.

<b>Column</b>	<b>Type</b>	<b>Comments</b>
DATASOURCE_NUM_ID	NUMBER	Datasource number ID
FUNC_AREA_WID	NUMBER	Functional area WID
INTEGRATION_ID	VARCHAR2	Integration ID
LAST_MODIFIED_DATE	DATE	Last modified date
ROW_WID	NUMBER	Row WID
SPEC_STEP_WID	NUMBER	Specification step WID
SPEC_WID	NUMBER	Specification WID
USER_WID	NUMBER	User WID

***PLM\_SPEC\_STOR\_REQ\_B***

Specifications and Storage Requirements Bridge Table. Maintains many to many relationships between specifications and storage requirements.

<b>Column</b>	<b>Type</b>	<b>Comments</b>
DATASOURCE_NUM_ID	NUMBER	Datasource number ID
INTEGRATION_ID	VARCHAR2	Integration ID
LAST_MODIFIED_DATE	DATE	Last modified date
ROW_WID	NUMBER	Row WID
SPEC_STOR_REQ_WID	NUMBER	Specification storage requirement WID
SPEC_WID	NUMBER	Specification WID

***PLM\_SPEC\_STOR\_REQ\_D***

Specification Storage Requirements Dimension Table.

<b>Column</b>	<b>Type</b>	<b>Comments</b>
DATASOURCE_NUM_ID	NUMBER	Datasource number ID
DELETE_FLG	NUMBER	Delete flag
INTEGRATION_ID	VARCHAR2	Integration ID
LAST_MODIFIED_DATE	DATE	Last modified date
ROW_WID	NUMBER	Row WID
SPEC_STOR_REQ_NAME	VARCHAR2	Specification storage requirement name
SPEC_STOR_REQ_WID	NUMBER	Specification storage requirement WID

***PLM\_SPEC\_SUB\_RECT\_B***

Specification and Substitute Restrictions Bridge Table. Maintain many to many relationships between specifications and substitute restrictions.

<b>Column</b>	<b>Type</b>	<b>Comments</b>
DATASOURCE_NUM_ID	NUMBER	Datasource number ID
INTEGRATION_ID	VARCHAR2	Integration ID
LAST_MODIFIED_DATE	DATE	Last modified date
ROW_WID	NUMBER	Row WID
SPEC_SUB_RECT_WID	NUMBER	Specificational substitute restriction WID
SPEC_WID	NUMBER	Specification WID

***PLM\_SPEC\_SUB\_RECT\_D***

Substitute Restrictions Dimension Table. Used for formulation.

<b>Column</b>	<b>Type</b>	<b>Comments</b>
DATASOURCE_NUM_ID	NUMBER	Datasource number ID
DELETE_FLG	NUMBER	Delete flag
INTEGRATION_ID	VARCHAR2	Integration ID
LAST_MODIFIED_DATE	DATE	Last modified date
ROW_WID	NUMBER	Row WID
SPEC_SUB_RECT_NAME	VARCHAR2	Specification substitute restriction name
SPEC_SUB_RECT_WID	NUMBER	Specification substitute restriction WID

***PLM\_SPEC\_SYS\_EQUIVALENT\_B***

Specification System Equivalent Bridge Table. Maintains many to many relationships between system equivalents and specifications.

<b>Column</b>	<b>Type</b>	<b>Comments</b>
DATASOURCE_NUM_ID	NUMBER	Datasource number ID
INTEGRATION_ID	VARCHAR2	Integration ID
LAST_MODIFIED_DATE	DATE	Last modified date
ROW_WID	NUMBER	Row WID
SPEC_SYS_EQUIVALENT_WID	NUMBER	Specification system equivalent WID
SPEC_WID	NUMBER	Specification WID

***PLM\_SPEC\_SYS\_EQUIVALENT\_D***

Specification System Equivalent Dimension Table. The system equivalent is the grain.

<b>Column</b>	<b>Type</b>	<b>Comments</b>
DATASOURCE_NUM_ID	NUMBER	Datasource number ID
DELETE_FLG	NUMBER	Delete flag
INTEGRATION_ID	VARCHAR2	Integration ID
LAST_MODIFIED_DATE	DATE	Last modified date
ROW_WID	NUMBER	Row WID
SPEC_SYS_EQUIVALENT_NAME	VARCHAR2	Specification system equivalent name
SPEC_SYS_EQUIVALENT_WID	NUMBER	Specification system equivalent WID

***PLM\_SPEC\_TAXONOMY\_D***

Specification Taxonomy Dimension Table. Stores the category, subcategory and group hierarchy. Level columns are used for the hierarchy purpose.

<b>Column</b>	<b>Type</b>	<b>Comments</b>
DATASOURCE_NUM_ID	NUMBER	Datasource number ID
DELETE_FLG	NUMBER	Delete flag
INTEGRATION_ID	VARCHAR2	Integration ID
LAST_MODIFIED_DATE	DATE	Last modified date
ROW_WID	NUMBER	Row WID
SPEC_TAXONOMY_NAME	VARCHAR2	Specification taxonomy name
SPEC_TAXONOMY_WID	NUMBER	Specification taxonomy WID

**PLM\_SPEC\_TYPE\_D**

Specification Types Dimension Table.

Column	Type	Comments
DATASOURCE_NUM_ID	NUMBER	Datasource number ID
DELETE_FLG	NUMBER	Delete flag
INTEGRATION_ID	VARCHAR2	Integration ID
LAST_MODIFIED_DATE	DATE	Last modified date
ROW_WID	NUMBER	Row WID
SPEC_TYPE_NAME	VARCHAR2	Specification type name
SPEC_TYPE_WID	NUMBER	Specification type WID

**PLM\_SPEC\_WKFLW\_F**

Specification Workflow Fact Table. A step on the specification object is the grain. For example, if a specification has 4 steps, this table will have 4 rows.

Column	Type	Comments
ACTIVE_STEP_IN_RED_FLG	NUMBER	Active step in red flag
APPROVE_DATE	NUMBER	Approve date. The format is YYYYMMDD.
COMPLETE_FLG	NUMBER	Complete flag
CREATE_DATE	NUMBER	Create date. The format is YYYYMMDD.
DATASOURCE_NUM_ID	NUMBER	Datasource number ID
DAYS_BEYOND_RED	NUMBER	Number of days beyond red
DELETE_FLG	NUMBER	Delete flag
ENTRY_DATE	NUMBER	Entry date. The format is YYYYMMDD.
EXIT_DATE	NUMBER	Exit date. The format is YYYYMMDD.
INTEGRATION_ID	VARCHAR2	Integration ID
LAST_MODIFIED_DATE	DATE	Last modified date
ROW_WID	NUMBER	Row WID
SPEC_CYCLE_TIME	NUMBER	Specification step cycle time days. (Exit date of step- entry date of step) by entry date
SPEC_CYCLE_TIME_IN_PROCESS	NUMBER	Specification step cycle time days - in process. (Current date- entry date of step) by entry date for steps that do not have an exit date
SPEC_STEP_WID	NUMBER	Specification step WID
SPEC_TAXONOMY_WID	NUMBER	Specification taxonomy WID
SPEC_TYPE_WID	NUMBER	Specification type WID
SPEC_WID	NUMBER	Specification WID
WKFLW_DUR_DAYS_AMBER	NUMBER	Workflow step duration days to amber
WKFLW_DUR_DAYS_RED	NUMBER	Workflow step duration days to red

***PLM\_STRAT\_BRIEF\_D***

Project Strategic Brief Dimension Table.

<b>Column</b>	<b>Type</b>	<b>Comments</b>
DATASOURCE_NUM_ID	NUMBER	Datasource number ID
DELETE_FLG	NUMBER	Delete flag
INTEGRATION_ID	VARCHAR2	Integration ID
LAST_MODIFIED_DATE	DATE	Last modified date
ROW_WID	NUMBER	Row WID
STRAT_BRIEF_NUMBER	VARCHAR2	Strategic brief number
STRAT_BRIEF_TITLE	VARCHAR2	Strategic brief title
STRAT_BRIEF_WID	NUMBER	Strategic brief WID

**PPM\_ACTIVITY\_D**

Activity Dimension table. The grain is the activity, which includes projects, phases, gates and activities. Stores resolved dimension attributes data for activities and can be conformed across all PPM Fact tables. This table will not contain any private templates. Initiated flag determines whether an activity/gate/phase is initiated or not.

Column	Type	Comments
ACTIVE_ACTIVITY_FLG	NUMBER	Active activity flag
ACTIVITIES_TYPE	VARCHAR2	Activities type
ACTIVITY_DESCRIPTION	VARCHAR2	Activity description
ACTIVITY_NAME	VARCHAR2	Activity name
ACTIVITY_NO	VARCHAR2	Activity number
ACTIVITY_NUMBER	VARCHAR2	Activity number
ACTIVITY_RAG_STATUS	VARCHAR2	Activity Rag Status
ACTIVITY_REQUIRED_FLG	NUMBER	Activity required flag
ACTIVITY_TEMPLATE_NUMBER	VARCHAR2	Activity Template Number
ACTIVITY_WID	NUMBER	Activity ID
ARCHIVED_FLG	NUMBER	Archived flag
CAPITAL_COST_ACT_FLG	NUMBER	Capital cost actual flag
CAPITAL_COST_BGT_FLG	NUMBER	Capital cost budgeted flag
CAPITAL_COST_EAC_FLG	NUMBER	Capital cost calculated EAC flag
CONTROLLED_FLG	NUMBER	Controlled flag
COST_STATUS	VARCHAR2	Cost status
COST_STATUS_REASON	VARCHAR2	Cost status reason
CREATED_FROM_TEMPLATE	VARCHAR2	Created from template
CRITICAL	VARCHAR2	Critical
CURRENT_STEP	VARCHAR2	Current Step
CURRENT_STEP_NUMBER	VARCHAR2	Current Step Number
DATASOURCE_NUM_ID	NUMBER	Datasource number ID
DELEGATED_OWNER	VARCHAR2	Delegated owner
DELETE_FLG	NUMBER	Delete flag
DESCRIPTION	VARCHAR2	Description
DOMAIN_VALUE	NUMBER	Domain value bucket based on the configuration rules. 1. Portfolio, 2. Program, 3. Project, 4. Phase, 5. Task, 6. Decision Gate, 7. Gate.
DURATION_TYPE	VARCHAR2	Duration type
ETL_PROC_WID	NUMBER	ETL process ID
FIXED_COST_ACT_FLG	NUMBER	Fixed cost actual flag
FIXED_COST_BGT_FLG	NUMBER	Fixed cost budgeted flag
FIXED_COST_EAC_FLG	NUMBER	Fixed cost calculated EAC flag
FLEX_COST_ACT_FLG	NUMBER	Flex cost actual flag
FLEX_COST_BGT_FLG	NUMBER	Flex cost budgeted flag
FLEX_COST_EAC_FLG	NUMBER	Flex cost calculated EAC flag
GLOBAL	VARCHAR2	Global
HAS_CUSTOM_MILESTONE_FLG	NUMBER	Has custom milestone flag
INITIATED_FLG	NUMBER	Initiated flag
INTEGRATION_ID	VARCHAR2	Integration ID
IN_TERMINAL_STEP_FLG	NUMBER	In terminal step flag.applicable to only activities

IS_PORTFOLIO_FLG	NUMBER	Is portfolio flag
IS_PROGRAM_FLG	NUMBER	Is program flag
IS_TEMPLATE_FLG	NUMBER	Is template flag: will be 1 if the project state is Template, else 0.
LAST_MODIFIED_DATE	DATE	Last modified date
LEVEL_FROM_PHASE	NUMBER	Level from phase
LEVEL_FROM_ROOT_OBJECT	NUMBER	Level from root object
LOCKED_FROM_PROGRAM	VARCHAR2	Locked from program
LOCK_STATUS	VARCHAR2	Lock status
LOCK_USER	VARCHAR2	Lock user
NAME	VARCHAR2	Name
OVERALL_STATUS	VARCHAR2	Overall status
OWNER	VARCHAR2	Owner
PARENT	VARCHAR2	Parent
PROJECT_STATE	VARCHAR2	Project state
QUALITY_STATUS	VARCHAR2	Quality status
QUALITY_STATUS_REASON	VARCHAR2	Quality status reason
RESOURCE_STATUS	VARCHAR2	Resource status
RESOURCE_STATUS_REASON	VARCHAR2	Resource status reason
RESOURCE_TYPE	VARCHAR2	Resource type
ROLLUP_HEALTH_STATUS	VARCHAR2	Rollup health status
ROOT_PARENT	VARCHAR2	Root parent
ROW_WID	NUMBER	Row ID
SCHEDULE_EDITOR	VARCHAR2	Schedule editor
SCHEDULE_STATUS	VARCHAR2	Schedule status
SCHEDULE_STATUS_REASON	VARCHAR2	Schedule status reason
STAGE_GATE_DEPENDENT_FLG	NUMBER	Stage gate dependent flag
STATUS	VARCHAR2	Status
STATUS_TYPE	VARCHAR2	Status type
STEP_TEMPLATE_NUMBER	VARCHAR2	Step Template Number
SUB_ACTIVITY_FLG	NUMBER	Sub activity flag
TEMPLATE_DESCRIPTION	VARCHAR2	Template Description
TEMPLATE_NAME	VARCHAR2	Template name. If there IS no template then populate "UNDEFINED" or if its derived from multiple templates then populate "MULTIPLE TEMPLATES".
TEMPLATE_NUMBER	VARCHAR2	Template Number
TEMPLATE_OWNER	NUMBER	Template Owner
TERMINAL_STEP_SUCCESS_FLG	NUMBER	Terminal step success flag
TYPE	VARCHAR2	Type
WORKFLOW	VARCHAR2	Workflow

**PPM\_ACTIVITY\_DEL\_F**

Activity Deliverable Fact table.

Column	Type	Comments
ACTIVE_GATE_FLG	NUMBER	Active gate flag
ACTIVE_PH_FLG	NUMBER	Active phase flag
ACTIVITY_WID	NUMBER	Activity WID
ACT_END_DATE	NUMBER	Actual end date. The format is YYYYMMDD.
ACT_START_DATE	NUMBER	Actual start date. The format is YYYYMMDD.
CLASS_WID	NUMBER	Class WID
CLOSED_PH_FLG	NUMBER	Closed phase flag
COMP_ACTS_END_LATE_FLG	NUMBER	Complete activity that ended late flag
CREATED_FROM_TEMPLATE	NUMBER	Create from template flag
CREATE_DATE	NUMBER	Create date. The format is YYYYMMDD.
CUR_GATE_FLG	NUMBER	Current gate flag
CUR_PH_FLG	NUMBER	Current phase flag
DATASOURCE_NUM_ID	NUMBER	Datasource number ID
DELIVERABLE_WID	NUMBER	Deliverable WID
DEL_CONDITION_MET_FLG	NUMBER	Deliverable condition met flag
DEL_CONDITION_SET_FLG	NUMBER	Deliverable condition set flag
DEL_FLG	NUMBER	Deliverable flag
DISPLAY_ORDER	NUMBER	Display order
DOMAIN_VALUE	NUMBER	Domain value
EST_END_DATE	NUMBER	Estimated end date. The format is YYYYMMDD.
EST_START_DATE	NUMBER	Estimated start date. The format is YYYYMMDD.
ETL_PROC_WID	NUMBER	ETL process WID
GATE_ACT_END_DATE	NUMBER	Gate Actual end date. The format is YYYYMMDD.
GATE_OWNER_WID	NUMBER	Gate owner WID
GATE_SCH_END_DATE	NUMBER	Gate Scheduled end date. The format is YYYYMMDD.
GATE_WID	NUMBER	Gate WID
INCOMP_ACTS_START_LATE_FLG	NUMBER	Incomplete activity that started late flag
INCOMP_GATE_START_LATE_FLG	NUMBER	Incomplete gate that started late flag
INTEGRATION_ID	VARCHAR2	Integration ID
IS_PORTFOLIO_FLG	NUMBER	Is portfolio flag
IS_PROGRAM_FLG	NUMBER	Is program flag
LAST_MODIFIED_DATE	DATE	Last modified date
LATE_COMP_ACTIVITY_FLG	NUMBER	Late complete activity flag
LATE_COMP_GATE_FLG	NUMBER	Late complete gate flag
LEVEL_FROM_PHASE	NUMBER	Number of levels from phase
LEVEL_FROM_ROOT	NUMBER	Number of levels from root
MET_CHG_END_COND_FLG	NUMBER	Met Change end condition flag
MET_ITEM_END_COND_FLG	NUMBER	Met Item end condition flag
MET_PSR_END_COND_FLG	NUMBER	Met PSR end condition flag
MET_QCR_END_COND_FLG	NUMBER	Met QCR end condition flag
OFF_TRACK_FLG	NUMBER	Off-track flag
OPENED_GATE_END_LATE_FLG	NUMBER	Open gate that ended late flag

OPENED_GATE_FLG	NUMBER	Opened gate flag
OWNER_WID	NUMBER	Owner WID
PARENT_WID	NUMBER	Parent WID
PF_ACT_END_DATE	NUMBER	Portfolio Actual end date. The format is YYYYMMDD.
PF_ACT_START_DATE	NUMBER	Portfolio Actual start date. The format is YYYYMMDD.
PF_SCH_END_DATE	NUMBER	Portfolio Scheduled end date. The format is YYYYMMDD.
PF_SCH_START_DATE	NUMBER	Portfolio Scheduled start date. The format is YYYYMMDD.
PHASE_OWNER_WID	NUMBER	Phase owner WID
PHASE_WID	NUMBER	Phase WID
PPM_PHASE_WORKFLOW_ID	NUMBER	PPM Phase workflow ID
PPM_PROJECT_WORKFLOW_ID	NUMBER	PPM Project workflow ID
PRG_ACT_END_DATE	NUMBER	Program Actual end date. The format is YYYYMMDD.
PRG_ACT_START_DATE	NUMBER	Program Actual start date. The format is YYYYMMDD.
PRG_SCH_END_DATE	NUMBER	Program Scheduled end date. The format is YYYYMMDD.
PRG_SCH_START_DATE	NUMBER	Program Scheduled start date. The format is YYYYMMDD.
PRJ_ACT_END_DATE	NUMBER	Project Actual end date. The format is YYYYMMDD.
PRJ_ACT_START_DATE	NUMBER	Project Actual start date. The format is YYYYMMDD.
PRJ_SCH_END_DATE	NUMBER	Project Scheduled end date. The format is YYYYMMDD.
PRJ_SCH_START_DATE	NUMBER	Project Scheduled start date. The format is YYYYMMDD.
PROJECT_ORDER	NUMBER	Project order
PROJECT_OWNER_WID	NUMBER	Project owner WID
PROJECT_WID	NUMBER	Project WID
ROOT_PROGRAM_WID	NUMBER	Root program WID
ROW_WID	NUMBER	Row WID
SCH_END_DATE	NUMBER	Scheduled end date. The format is YYYYMMDD.
SCH_START_DATE	NUMBER	Scheduled start date. The format is YYYYMMDD.
SOFT_DELETE_FLG	NUMBER	Soft-delete flag
STATUS_TYPE_CODE	NUMBER	Status type code
SUBCLASS_WID	NUMBER	Subclass WID
UPDATE_DATE	NUMBER	Update date. The format is YYYYMMDD.

**PPM\_ACTIVITY\_DEL\_FS**

Deliverable Fact Staging table. An activity and deliverable is the grain.

Column	Type	Comments
ACTIVITY_WID	NUMBER	Activity WID
DATASOURCE_NUM_ID	NUMBER	Datasource number ID
DELIVERABLE_CLASS_WID	NUMBER	Deliverable Class WID
DELIVERABLE_WID	NUMBER	Deliverable WID
DEL_CONDITION_MET_FLG	NUMBER	Deliverable Condition Met Flag, If Deliverable Condition is met then 1 else 0
DEL_CONDITION_SET_FLG	NUMBER	Deliverable Condition Set Flag, If Deliverable Condition is available then 1 else 0
INTEGRATION_ID	VARCHAR2	Integration ID
LAST_MODIFIED_DATE	DATE	Last modified date
ROW_WID	NUMBER	Row WID

**PPM\_ACTIVITY\_DOMAINS**

Activity Domains Table. Stores a list of domain values for PPM object types.

Column	Type	Comments
CLASS_NAME	VARCHAR2	Class name
CLASS_WID	NUMBER	Class ID
DOMAIN_NAME	VARCHAR2	Domain name
DOMAIN_WID	NUMBER	Domain ID
SUBCLASS_NAME	VARCHAR2	Subclass name
SUBCLASS_WID	NUMBER	Subclass ID

**PPM\_ACTIVITY\_F**

Activity Fact Table. Stores detailed data to support Detailed Activity Analysis.

Column	Type	Comments
ACTIVE_ACTIVITY_FLG	NUMBER	If activity is active then 1 else 0. Not applicable for templates(projects,stages,gates) and projects and stages.
ACTIVE_GATE_FLG	NUMBER	Active gate flag
ACTIVE_PH_FLG	NUMBER	Active phase flag
ACTIVE_STAGE_FLG	NUMBER	If stage is active then 1 else 0. Applicable only for stages. If the stage is current then 1 else 0.
ACTIVITY_ASGMT_END_DATE	NUMBER	Activity assignment end date. The format is YYYYMMDD.
ACTIVITY_ASGMT_START_DATE	NUMBER	Activity assignment start date. The format is YYYYMMDD.
ACTIVITY_NUMBER	VARCHAR2	Activity number
ACTIVITY_PCT_COMP	NUMBER	Activity percent complete
ACTIVITY_WID	NUMBER	Activity ID
ACT_ACTUAL_DUR_PCT_PH	NUMBER	Activity Actual duration as percent Phase Actual duration
ACT_ACTUAL_DUR_PCT_PRJ	NUMBER	Activity Actual duration as percent Project Actual duration
ACT_CAPITAL_COST	NUMBER	Actual Capital cost
ACT_CAPITAL_COST_VAR_PCT	NUMBER	Actual capital cost variance %
ACT_CMPL_FLG	NUMBER	Actual complete flag
ACT_DAYS_EFF	NUMBER	Actual days effort
ACT_DUR	NUMBER	Actual duration
ACT_DUR_VAR_PCT	NUMBER	Actual Duration variance %
ACT_EFF_WD	NUMBER	Actual effort work days
ACT_END_DATE	NUMBER	Actual End date
ACT_END_VAR_CD	NUMBER	Actual end variance calendar days
ACT_FIXED_COST	NUMBER	Actual fixed cost
ACT_FIXED_COST_VAR_PCT	NUMBER	Actual fixed cost variance %
ACT_FLEX_COST	NUMBER	Actual Flex cost
ACT_FLEX_COST_VAR_PCT	NUMBER	Actual flex cost variance %
ACT_FLG	NUMBER	Activity Flag
ACT_LABOR_COST	NUMBER	Actual Labor cost
ACT_LABOR_COST_VAR_PCT	NUMBER	Actual labor cost variance %
ACT_OFFTRACK_AND_INCOMP_FLG	NUMBER	Activity Off track and not complete Flag. If Activity with health status=Off-Track AND Status type not equal to \$Released or \$Complete then 1 else 0
ACT_START_DATE	NUMBER	Actual Start date
ACT_START_VAR_CD	NUMBER	Actual start variance calendar days
ACT_TOTAL_COST	NUMBER	Actual total cost
ACT_TOTAL_COST_VAR_PCT	NUMBER	Actual total cost variance %
ACT_TPL_DUR_DAYS	NUMBER	Activity Template duration days
ACT_VAR_CD	NUMBER	Actual variance calendar days
ASSIGNMENT_ACTIVITY_FLG	NUMBER	If the assignment is on activity then 1 else 0
ASSIGNMENT_FLG	NUMBER	If the activity has assignment then 1 else 0. Not applicable for templates(projects,stages,gates) and projects
ASSIGNMENT_STG_FLG	NUMBER	If the assignment is on stage then 1 else 0
BGT_CAPITAL_COST	NUMBER	Budgeted Capital cost
BGT_FIXED_COST	NUMBER	Budgeted fixed cost

BGT_FLEX_COST	NUMBER	Budgeted Flex cost
BGT_LABOR_COST	NUMBER	Budgeted Labor cost
BGT_TOTAL_COST	NUMBER	Budgeted total cost
CLASS_WID	NUMBER	Class ID
CLOSED_PH_FLG	NUMBER	Closed phase flag
COMP_ACTS_END_LATE_FLG	NUMBER	Complete activities that finished late flag
CORE_VS_CONTEXT	NUMBER	New Project evaluation - customers may enter scores between 1 and 10
CREATED_FROM_TEMPLATE	NUMBER	Created from template
CREATE_DATE	NUMBER	Create date
CUR_GATE_FLG	NUMBER	Current gate flag
CUR_PH_FLG	NUMBER	Current phase flag
CUST_MILE_PLAN_END_DATE	NUMBER	Custom milestone planned end date. The format is YYYYMMDD.
CUST_MILE_PLAN_START_DATE	NUMBER	Custom milestone planned start date. The format is YYYYMMDD.
DATASOURCE_NUM_ID	NUMBER	Datasource number ID
DAYS_FROM_ACT_START_DATE	NUMBER	Days elapsed from actual start date
DEL_FLG	NUMBER	Deliverable Flag
DISPLAY_ORDER	NUMBER	Display order
DOMAIN_VALUE	NUMBER	Domain value bucket based on the configuration rules. 1. Portfolio, 2. Program, 3. Project, 4. Phase, 5. Task, 6. Decision Gate, 7. Gate.
EFF_WD_VAR	NUMBER	Effort work days variance
EFF_WD_VAR_PCT	NUMBER	Effort work days variance %
EST_CAPITAL_COST_TO_COMP	NUMBER	Estimated Capital cost to complete
EST_CAPITAL_COST_VAR_PCT	NUMBER	Estimated capital cost variance %
EST_DUR	NUMBER	Estimated duration
EST_DUR_VAR_PCT	NUMBER	Estimated Duration variance %
EST_END_DATE	NUMBER	Estimated End Date
EST_END_VAR_CD	NUMBER	Estimated end variance calendar days
EST_FIXED_COST_TO_COMP	NUMBER	Estimated fixed cost to complete
EST_FIXED_COST_VAR_PCT	NUMBER	Estimated fixed cost variance %
EST_FLEX_COST_TO_COMP	NUMBER	Estimated Flex cost to complete
EST_FLEX_COST_VAR_PCT	NUMBER	Estimated Flex cost variance %
EST_LABOR_COST_TO_COMP	NUMBER	Estimated Labor cost to complete
EST_LABOR_COST_VAR_PCT	NUMBER	Estimated labor cost variance %
EST_START_DATE	NUMBER	Estimated Start Date
EST_START_VAR_CD	NUMBER	Estimated start variance calendar days
EST_TOTAL_COST_TO_COMP	NUMBER	Estimated total cost to complete
EST_TOTAL_COST_VAR_PCT	NUMBER	Estimated total cost variance %
EST_VARIANCE	NUMBER	Estimated Variance
EST_VAR_CD	NUMBER	Estimated variance calendar days
ETL_PROC_WID	NUMBER	ETL process ID
EXP_COMMERCIAL_VALUE	NUMBER	Expected commercial value
EXP_EFF_WD	NUMBER	Expected effort work days
GATE_ACT_END_DATE	NUMBER	Gate actual end date
GATE_FLG	NUMBER	Gate Flag
GATE_OWNER_WID	NUMBER	Gate owner ID
GATE_SCH_END_DATE	NUMBER	Gate scheduled end date
GATE_WID	NUMBER	Gate ID

INCOMP_ACTS_START_LATE_FLG	NUMBER	Incomplete activities that started late flag
INCOMP_GATE_START_LATE_FLG	NUMBER	Incomplete gate that started late flag
INITIATED_FLG	NUMBER	Initiated flag
INTEGRATION_ID	VARCHAR2	Integration ID
IS_PORTFOLIO_FLG	NUMBER	Is portfolio flag
IS_PROGRAM_FLG	NUMBER	Is program flag
LAST_MODIFIED_DATE	DATE	Last modified date
LATE_COMP_ACTIVITY_FLG	NUMBER	Late complete activity flag
LATE_COMP_GATE_FLG	NUMBER	Late complete gate flag
LEVEL_FROM_PHASE	NUMBER	Level from phase
LEVEL_FROM_ROOT	NUMBER	Level from root
MET_CHG_END_COND_FLG	NUMBER	Met change end condition flag
MET_ITEM_END_COND_FLG	NUMBER	Met item end condition flag
MET_PSR_END_COND_FLG	NUMBER	Met PSR end condition flag
MET_QCR_END_COND_FLG	NUMBER	Met QCR end condition flag
NO_ACT_RED	NUMBER	Number of Activities in red (number of activities Off track)
NO_CHG_DEL_PRJ	NUMBER	Count of deliverables associated at all levels under this Project. Changes include Change Orders, Manufacturer Change Orders, Change requests, Stop ships, Deviations and Site Change Orders.
NO_COMP_CHG_DEL_PRJ	NUMBER	Count of deliverables associated at all levels under this Project that have met the end condition. If there is no end condition specified then it is assumed to be met.
NO_COMP_ITEM_DEL_PRJ	NUMBER	Count of deliverables associated at all levels under this Project that have met the end condition. If there is no end condition specified then it is assumed to be met.
NO_COMP_PSR_DEL_PRJ	NUMBER	Count of deliverables associated at all levels under this Project that have met the end condition. If there is no end condition specified then it is assumed to be met.
NO_COMP_QCR_DEL_PRJ	NUMBER	Count of deliverables associated at all levels under this Project that have met the end condition. If there is no end condition specified then it is assumed to be met.
NO_ITEM_DEL_PRJ	NUMBER	Count of deliverables associated at all levels under this Project. Item includes Parts and Documents.
NO_OFFTRACK_DEL_ACT	NUMBER	Number of Activities in red that have related items
NO_PRJ_ITEMS	NUMBER	Count of activities that includes projects
NO_PSR_DEL_PRJ	NUMBER	Count of deliverables associated at all levels under this Project. This includes Problem Reports and Non Conformances.
NO_QCR_DEL_PRJ	NUMBER	Count of deliverables associated at all levels under this Project.
NPV_AT_GATE	NUMBER	Net present value at gate
NPV_PRJ	NUMBER	Net Present Value for Project
OFF_TRACK_FLG	NUMBER	Off-track Flag
OPENED_GATE_END_LATE_FLG	NUMBER	Opened Gate that finished late
OPENED_GATE_FLG	NUMBER	Opened gate flag
OWNER_WID	NUMBER	Owner ID
PARENT_WID	NUMBER	Parent ID
PAY_BACK_PERIOD	NUMBER	Pay back period
PCT_TASK_COMP_RATE	NUMBER	% Task completion rate
PF_ACT_END_DATE	NUMBER	Portfolio Actual End Date
PF_ACT_START_DATE	NUMBER	Portfolio Actual Start Date

PF_SCH_END_DATE	NUMBER	Portfolio Schedule End Date
PF_SCH_START_DATE	NUMBER	Portfolio Schedule Start Date
PHASE_OWNER_WID	NUMBER	Phase owner ID
PHASE_WID	NUMBER	Phase ID
PPM_PHASE_WORKFLOW_ID	NUMBER	Phase workflow ID
PPM_PROJECT_WORKFLOW_ID	NUMBER	Project workflow ID
PRG_ACT_END_DATE	NUMBER	Program Actual End Date
PRG_ACT_START_DATE	NUMBER	Program Actual Start Date
PRG_SCH_END_DATE	NUMBER	Program Schedule End Date
PRG_SCH_START_DATE	NUMBER	Program Schedule Start Date
PRJ_ACT_END_DATE	NUMBER	Project Actual End Date
PRJ_ACT_LAUNCH_DATE	NUMBER	Project actual launch date
PRJ_ACT_START_DATE	NUMBER	Project Actual Start Date
PRJ_SCH_END_DATE	NUMBER	Project Schedule End Date
PRJ_SCH_LAUNCH_DATE	NUMBER	Project scheduled launch date
PRJ_SCH_START_DATE	NUMBER	Project Schedule Start Date
PROB_COMMERCIAL_SUCCESS	NUMBER	New Project evaluation - customers may enter scores between 1 and 10
PROB_TECHNICAL_SUCCESS	NUMBER	New Project evaluation - customers may enter scores between 1 and 10
PROJECT_ORDER	NUMBER	Project order
PROJECT_OWNER_WID	NUMBER	Project owner ID
PROJECT_WID	NUMBER	Project ID
ROOT_PROGRAM_WID	NUMBER	Root program ID
ROW_WID	NUMBER	Row ID
SCH_DUR	NUMBER	Schedule duration
SCH_EFF_WD	NUMBER	Schedule effort work days
SCH_END_DATE	NUMBER	Scheduled End date
SCH_START_DATE	NUMBER	Scheduled Start date
SKIP_FLG	NUMBER	Skip Flag
SOFT_DELETE_FLG	NUMBER	Soft delete flag
STATUS_TYPE_CODE	NUMBER	Status type code
STRATEGIC_FIT	NUMBER	New Project evaluation - customers may enter scores between 1 and 10
SUBCLASS_WID	NUMBER	Subclass ID
TECH_FEASIBILITY	NUMBER	New Project evaluation - customers may enter scores between 1 and 10
TEMPLATE_SCH_LAUNCH_DATE	NUMBER	Template scheduled launch date
TPL_FLG	NUMBER	Template Flag
UPDATE_DATE	NUMBER	Update date
WD_EFF	NUMBER	Work days effort

**PPM\_ACTIVITY\_FS**

Activity Fact Staging Table. Used to pull/copy the cover page, P2, P3, flex attributes raw data for Activities and Gates classes from the Data Mart.

Column	Type	Comments
ACCEPTACLPROPAGATION	NUMBER	Accept ACL propagation
ACTIVITY_NUMBER	VARCHAR2	Activity number
ACTIVITY_WID	NUMBER	Activity ID
ACTUAL_TIME	NUMBER	Actual time
ACT_CAPITAL_EXPENSES	NUMBER	Actual capital expenses
ACT_CAPITAL_EXPENSES_CURRENCY	NUMBER	Actual capital expenses currency
ACT_CREATE_DATE	DATE	Actual create date
ACT_DURATION	NUMBER	Actual duration
ACT_DUR_VAR_CD	NUMBER	Actual duration variance calendar days
ACT_DUR_VAR_WD	NUMBER	Actual duration variance work days
ACT_END_DATE	DATE	Actual end date
ACT_END_VAR_CD	NUMBER	Actual end variance calendar days
ACT_END_VAR_WD	NUMBER	Actual end variance work days
ACT_FIXED_COST	NUMBER	Actual fixed cost
ACT_FIXED_COST_CURRENCY	NUMBER	Actual fixed cost currency
ACT_FLEX_COST	NUMBER	Actual flex cost
ACT_FLEX_COST_CURRENCY	NUMBER	Actual flex cost currency
ACT_LABOR_COST	NUMBER	Actual labor cost
ACT_LABOR_COST_CURRENCY	NUMBER	Actual labor cost currency
ACT_LEVEL	NUMBER	Actual level
ACT_START_DATE	DATE	Actual start date
ACT_START_VAR_CD	NUMBER	Actual start variance calendar days
ACT_START_VAR_WD	NUMBER	Actual start variance work days
ACT_TOTAL_COST	NUMBER	Actual total cost
ACT_TOTAL_COST_CURRENCY	NUMBER	Actual total cost currency
ARCHIVED_FLG	NUMBER	Archived flag
AUDIT_SCORE	NUMBER	Audit score
BGT_CAPITAL_EXPENSES	NUMBER	Budgeted capital expenses
BGT_CAPITAL_EXPENSES_CURRENCY	NUMBER	Budgeted capital expenses currency
BGT_FIXED_COST	NUMBER	Budgeted fixed cost
BGT_FIXED_COST_CURRENCY	NUMBER	Budgeted fixed cost currency
BGT_FLEX_COST	NUMBER	Budgeted flex cost
BGT_FLEX_COST_CURRENCY	NUMBER	Budgeted flex cost currency
BGT_LABOR_COST	NUMBER	Budgeted labor cost
BGT_LABOR_COST_CURRENCY	NUMBER	Budgeted labor cost currency
BGT_TOTAL_COST	NUMBER	Budgeted total cost
BGT_TOTAL_COST_CURRENCY	NUMBER	Budgeted total cost currency
BUDGETED_TIME	NUMBER	Budgeted time
CATEGORY10	VARCHAR2	Category10
CATEGORY11	VARCHAR2	Category 11
CATEGORY12	VARCHAR2	Category 12

CATEGORY13	VARCHAR2	Category 13
CATEGORY14	VARCHAR2	Category 14
CATEGORY15	VARCHAR2	Category 15
CATEGORY16	VARCHAR2	Category 16
CATEGORY17	VARCHAR2	Category 17
CATEGORY18	VARCHAR2	Category 18
CATEGORY19	VARCHAR2	Category 19
CATEGORY20	VARCHAR2	Category 20
CATEGORY21	VARCHAR2	Category 21
CATEGORY22	VARCHAR2	Category 22
CATEGORY23	VARCHAR2	Category 23
CATEGORY24	VARCHAR2	Category 24
CATEGORY7	VARCHAR2	Category7
CATEGORY8	VARCHAR2	Category8
CATEGORY9	VARCHAR2	Category9
CLASS_WID	NUMBER	Class ID
CONTROLLED_FLG	NUMBER	Controlled flag
CORE_VS_CONTEXT	NUMBER	New Project evaluation - customers may enter scores between 1 and 10
COST_HEALTH	NUMBER	Cost health
COST_REASON	VARCHAR2	Cost reason
CREATED_FROM_TEMPLATE	NUMBER	Created from template
CREATE_DATE	DATE	Create date
CREATE_USER_WID	NUMBER	Create user ID
CRITICAL_PATH	NUMBER	Critical path
CUSTOMER	VARCHAR2	Customer
DATASOURCE_NUM_ID	NUMBER	Datasource number ID
DAYS Effort	NUMBER	Days effort
DELEGATED_OWNER_WID	NUMBER	Delegated owner ID
DELETE_FLAG	NUMBER	Delete flag
DESCRIPTION	VARCHAR2	Description
DISPLAY_ORDER	NUMBER	Display order
DIVISION	VARCHAR2	Division
DURATION_TYPE	NUMBER	Duration type
ESTIMATED_TIME	NUMBER	Estimated time
EST_CAPITAL_EXPENSES	NUMBER	Estimated capital expenses
EST_CAPITAL_EXPENSES_CURRENCY	NUMBER	Estimated capital expenses currency
EST_DURATION	NUMBER	Estimated duration
EST_DUR_VAR_CD	NUMBER	Estimated duration variance calendar days
EST_DUR_VAR_WD	NUMBER	Estimated duration variance work days
EST_END_DATE	DATE	Estimated end date
EST_END_VAR_CD	NUMBER	Estimated end variance calendar days
EST_END_VAR_WD	NUMBER	Estimated end variance work days
EST_FIXED_COST	NUMBER	Estimated fixed cost
EST_FIXED_COST_CURRENCY	NUMBER	Estimated fixed cost currency
EST_FLEX_COST	NUMBER	Estimated flex cost
EST_FLEX_COST_CURRENCY	NUMBER	Estimated flex cost currency
EST_LABOR_COST	NUMBER	Estimated labor cost

EST_LABOR_COST_CURRENCY	NUMBER	Estimated labor cost currency
EST_START_DATE	DATE	Estimated start date
EST_START_VAR_CD	NUMBER	Estimated start variance calendar days
EST_START_VAR_WD	NUMBER	Estimated start variance work days
EST_TOTAL_COST	NUMBER	Estimated total cost
EST_TOTAL_COST_CURRENCY	NUMBER	Estimated total cost currency
EST_VARIANCE	NUMBER	Estimated variance
ETL_PROC_WID	NUMBER	ETL process ID
EXP_COMMERCIAL_VALUE	NUMBER	Expected commercial value
FINALCOMPLETE_DATE	DATE	Final complete date
FLAGS	VARCHAR2	Flags
GLOBAL	NUMBER	Global
HEALTH	NUMBER	Health
INTEGRATION_ID	VARCHAR2	Integration ID
IS_UPDATED	NUMBER	Is updated flag
KEYWORDS	VARCHAR2	Keywords
LAUNCH_YEAR	VARCHAR2	Launch year
LOCK_OBJ_WID	NUMBER	Locked object ID
LOCK_STATUS	NUMBER	Lock status
LOCK_USER_WID	NUMBER	Lock user ID
NAME	VARCHAR2	Name
NPV_AT_GATE	NUMBER	Net present value at gate
NPV_PRJ	NUMBER	Net Present Value for Project
OBJVERSION	NUMBER	Object version
OVERALL_STATUS	NUMBER	Overall status
OWNER_WID	NUMBER	Owner ID
PARENT_WID	NUMBER	Parent ID
PAY_BACK_PERIOD	NUMBER	Pay back period
PERCENT_COMPLETE	NUMBER	Percent complete
PLM_REFERENCE	VARCHAR2	PLM reference
POOL_IDS	VARCHAR2	Pool IDs
PRIORITY_INDICATOR	NUMBER	Priority Indicator
PRJ_ACT_LAUNCH_DATE	NUMBER	Project actual launch date
PRJ_SCH_LAUNCH_DATE	NUMBER	Project scheduled launch date
PROB_COMMERCIAL_SUCCESS	NUMBER	New Project evaluation - customers may enter scores between 1 and 10
PROB_TECHNICAL_SUCCESS	NUMBER	New Project evaluation - customers may enter scores between 1 and 10
PROCESS	NUMBER	Process
PRODUCT_LINE	VARCHAR2	Product line
PROGRAMS	VARCHAR2	PROGRAMS
PROGRAM_TYPE	VARCHAR2	Program type
QUALITY_HEALTH	NUMBER	Quality health
QUALITY_REASON	VARCHAR2	Quality reason
REGION	VARCHAR2	Region
RESOURCE_HEALTH	NUMBER	Resource health
RESOURCE_REASON	VARCHAR2	Resource reason
RESOURCE_TYPE	NUMBER	Resource type
RISK	NUMBER	Risk

ROLLUP_ACT_COST_CAPITAL	NUMBER	Rollup actual cost capital
ROLLUP_ACT_COST_FIXED	NUMBER	Rollup actual cost fixed
ROLLUP_ACT_COST_FLEX	NUMBER	Rollup actual cost flex
ROLLUP_BGT_COST_CAPITAL	NUMBER	Rollup budgeted cost capital
ROLLUP_BGT_COST_FIXED	NUMBER	Rollup budgeted cost fixed
ROLLUP_BGT_COST_FLEX	NUMBER	Rollup budgeted cost flex
ROLLUP_EST_COST_CAPITAL	NUMBER	Rollup estimated cost capital
ROLLUP_EST_COST_FIXED	NUMBER	Rollup estimated cost fixed
ROLLUP_EST_COST_FLEX	NUMBER	Rollup estimated cost flex
ROLLUP_HEALTH_STATUS	NUMBER	Rollup health status
ROOT_PROGRAM_WID	NUMBER	Root program ID
ROUTE_DATE	DATE	Route date
ROW_WID	NUMBER	Row ID
SCHEDULE_EDIT	NUMBER	Schedule edit
SCH_DURATION	NUMBER	Scheduled duration
SCH_END_DATE	DATE	Scheduled end date
SCH_REASON	VARCHAR2	Scheduled reason
SCH_START_DATE	DATE	Scheduled start date
STATUS	NUMBER	Status
STATUS_TYPE	NUMBER	Status type
STRATEGIC_FIT	NUMBER	New Project evaluation - customers may enter scores between 1 and 10
SUBCLASS_WID	NUMBER	Subclass ID
SUMMARY_PAGE	NUMBER	Summary page
TECH_FEASIBILITY	NUMBER	New Project evaluation - customers may enter scores between 1 and 10
TEMPLATE_SCH_LAUNCH_DATE	NUMBER	Template scheduled launch date
TEMPLATE_WID	NUMBER	Template ID
TOTAL_PERCENT_ALLOC	NUMBER	Total percent allocation
UI_BLOB_DATA	NUMBER	UI blob data
UPDATE_DATE	DATE	Update date
VARIANCE	NUMBER	Variance
WEIGHT	NUMBER	Weight
WORKFLOW_WID	NUMBER	Workflow ID
ZERO_DURATION	NUMBER	Zero duration

***PPM\_ACTIVITY\_PLM\_REFERENCE\_B***

Activity Reference Bridge Table. Maintains many to many relationships between PPM references and activities.

<b>Column</b>	<b>Type</b>	<b>Comments</b>
ACTIVITY_WID	NUMBER	Activity ID
DATASOURCE_NUM_ID	NUMBER	Datasource number ID
INTEGRATION_ID	VARCHAR2	Integration ID
PPM_PLM_REF_WID	NUMBER	PLM reference multilist ID
ROW_WID	NUMBER	Row ID

**PPM\_ACTIVITY\_WKFLW\_D**

Activity Workflow Dimension Table. The grain is activity, workflow and workflow step.

Column	Type	Comments
ACTIVITY_WKFLW_WID	NUMBER	Activity workflow WID
DATASOURCE_NUM_ID	NUMBER	Datasource number ID
DELETE_FLG	NUMBER	Delete flag
INTEGRATION_ID	VARCHAR2	Integration ID
LAST_MODIFIED_DATE	DATE	Last modified date
ROW_WID	NUMBER	Row WID
STATUS_GENERIC_NAME	VARCHAR2	Status generic name
STEP_NAME	VARCHAR2	Step name
STEP_NUMBER	VARCHAR2	Step number
WORKFLOW_NAME	VARCHAR2	Workflow name

**PPM\_ACT\_DEPACT\_B**

Bridge table maintains many to many relationships for dependant activities.

Column	Type	Comments
ACTIVITY_WID	NUMBER	Activity ID
DATASOURCE_NUM_ID	NUMBER	Datasource number ID
DEP_ACTIVITY_WID	NUMBER	Dependent activity ID
EXTERNAL_FLG	NUMBER	External Flag
INTEGRATION_ID	VARCHAR2	Integration ID
ROW_WID	NUMBER	Row ID
TYPE_WID	NUMBER	Type ID

**PPM\_ACT\_PROGRAMS\_B**

Activities and Programs Bridge Table. Maintains many to many relationships between program data and activities.

Column	Type	Comments
ACTIVITY_WID	NUMBER	Activity ID
DATASOURCE_NUM_ID	NUMBER	Datasource number ID
INTEGRATION_ID	VARCHAR2	Integration ID
PPM_ACT_PROGRAMS_WID	NUMBER	PROGRAMS ID
ROW_WID	NUMBER	Row ID

**PPM\_BASELINE\_D**

Project Baseline Dimension Table. The grain is the project baseline. Stores the resolved dimension attributes data for the Baseline (Project) activities.

Column	Type	Comments
ARCHIVED_FLG	NUMBER	Archived flag
BASELINE_DESCRIPTION	VARCHAR2	Baseline description
BASELINE_NAME	VARCHAR2	Baseline name
BASELINE_NO	VARCHAR2	Baseline number
BASELINE_WID	NUMBER	Baseline WID
CAPITAL_COST_ACT_FLG	NUMBER	Capital cost actual flag
CAPITAL_COST_BGT_FLG	NUMBER	Capital cost budgeted flag
CAPITAL_COST_EAC_FLG	NUMBER	Capital cost calculated EAC flag
CONTROLLED_FLG	NUMBER	Controlled flag
COST_STATUS	VARCHAR2	Cost status
COST_STATUS_REASON	VARCHAR2	Cost status reason
CREATED_FROM_TEMPLATE	VARCHAR2	Created from template
CRITICAL	VARCHAR2	Critical
DATASOURCE_NUM_ID	NUMBER	Datasource number ID
DELEGATED_OWNER	VARCHAR2	Delegated owner
DELETE_FLG	NUMBER	Delete flag
DOMAIN_VALUE	NUMBER	Domain value bucket based on the configuration rules. 1. Portfolio, 2. Program, 3. Project, 4. Phase, 5. Task, 6. Decision Gate, 7. Gate.
DURATION_TYPE	VARCHAR2	Duration type
ETL_PROC_WID	NUMBER	ETL process ID
FIXED_COST_ACT_FLG	NUMBER	Fixed cost actual flag
FIXED_COST_BGT_FLG	NUMBER	Fixed cost budgeted flag
FIXED_COST_EAC_FLG	NUMBER	Fixed cost calculated EAC flag
FLEX_COST_ACT_FLG	NUMBER	Flex cost actual flag
FLEX_COST_BGT_FLG	NUMBER	Flex cost budgeted flag
FLEX_COST_EAC_FLG	NUMBER	Flex cost calculated EAC flag
GLOBAL	VARCHAR2	Global
INTEGRATION_ID	VARCHAR2	Integration ID
KICKOFF_BASELINE	VARCHAR2	Kickoff baseline
LAST_MODIFIED_DATE	DATE	Last modified date
LOCKED_FROM_PROGRAM	VARCHAR2	Locked from program
LOCK_STATUS	VARCHAR2	Lock status
LOCK_USER	VARCHAR2	Lock user
MILESTONE	VARCHAR2	Milestone
OVERALL_STATUS	VARCHAR2	Overall status
PLAN_OF_RECORD	VARCHAR2	Plan of record
PROJECT_STATE	VARCHAR2	Project state
PROJECT_WID	NUMBER	Project ID
QUALITY_STATUS	VARCHAR2	Quality status
QUALITY_STATUS_REASON	VARCHAR2	Quality status reason
RESOURCE_STATUS	VARCHAR2	Resource status
RESOURCE_STATUS_REASON	VARCHAR2	Resource status reason

---

RESOURCE_TYPE	VARCHAR2	Resource type
ROLLUP_HEALTH_STATUS	VARCHAR2	Rollup health status
ROW_WID	NUMBER	Row ID
SCHEDULE_EDITOR	VARCHAR2	Schedule editor
SCHEDULE_STATUS	VARCHAR2	Schedule status
SCHEDULE_STATUS_REASON	VARCHAR2	Schedule status reason
STATUS	VARCHAR2	Status
STATUS_TYPE	VARCHAR2	Status type
TYPE	VARCHAR2	Type
WORKFLOW	VARCHAR2	Workflow

**PPM\_BASELINE\_F**

Fact tables that stores project baseline and current projects data.

Column	Type	Comments
ACTIVITY_WID	NUMBER	Activity ID
ACT_LNCH_DATE_VAR_FIRST_BSLN	NUMBER	Actual launch date variance from first schedule
ACT_TTM_VAR_BSLN	NUMBER	Actual TTM date variance days over baseline
ACT_TTM_VAR_FIRST_BSLN	NUMBER	Actual TTM date variance over first baseline
ACT_TYPE	NUMBER	Activity type
ACT_VAR_DAYS_BSLN	NUMBER	Actual date variance days over baseline
ACT_VAR_DAYS_FIRST_BSLN	NUMBER	Actual date variance days over first baseline
BASELINE_DATE	NUMBER	Baseline date
BASELINE_NO	VARCHAR2	Baseline number
BASELINE_WID	NUMBER	Baseline ID
BSLN_TTM_DAYS	NUMBER	Baselined TTM days
CLASS_WID	NUMBER	Class ID
CREATE_DATE	NUMBER	Create date
DATASOURCE_NUM_ID	NUMBER	Datasource number ID
ERROR_FLG	NUMBER	Error flag
EST_VAR_DAYS_BSLN	NUMBER	Estimated date variance days over baseline
EST_VAR_DAYS_FIRST_BSLN	NUMBER	Estimated date variance days over first baseline
ETL_PROC_WID	NUMBER	ETL process ID
GATE_WID	NUMBER	Gate ID
HAS_MUL_ACTIVE_GATES_FLG	NUMBER	Has multiple active gates flag
HAS_MUL_ACTIVE_PHASES_FLG	NUMBER	Has multiple active phases flag
INTEGRATION_ID	VARCHAR2	Integration ID
LAST_MODIFIED_DATE	DATE	Last modified date
NO_BASLINES_W_DUR_IMPACT	NUMBER	Number of Baselines with Duration Impact
NO_BL_W_COST_IMPACT	NUMBER	Baseline cost impact
NO_COST_CHGS_PRJ	NUMBER	Count of baselines of a project that had budgeted cost changes
NO_DAYS_DELAYED_OVER_PREV_BL	NUMBER	# of days delayed based on schedule end date of previous baseline
NO_DUR_CHGS_PRJ	NUMBER	Count of baselines of a project that had duration changes
NO_EFF_CHGS_PRJ	NUMBER	Count of baselines of a project that had effort changes
NO_PRJ_BASELINE	NUMBER	Number of Project Baselines
OWNER_WID	NUMBER	Owner ID
PCTBL_W_COST_IMPACT	NUMBER	% Baseline cost impact
PCT_BL_EFF_IMPACT	NUMBER	% Baseline Effort impact
PCT_COST_CHG_PRJ_OVER_PREV_BL	NUMBER	% Cost change on a Project over previous baseline
PCT_DUR_CHGS_PRJ_OVER_PREV_BL	NUMBER	% Duration changes on a Project over previous baseline
PCT_EFF_CHGS_PRJ_OVER_PREV_BL	NUMBER	% Effort changes on a Project over previous baseline
PHASE_WID	NUMBER	Phase ID
PRJ_ACT_END_DATE	NUMBER	Project Actual End Date
PRJ_ACT_LAUNCH_DATE	NUMBER	Project Actual launch date. The format is YYYYMMDD.
PRJ_ACT_START_DATE	NUMBER	Project Actual Start Date
PRJ_BGT_TOTAL_COST	NUMBER	Budgeted Cost Associated with project
PRJ_EST_DUR	NUMBER	Baseline of Project estimated duration

PRJ_EST_TOTAL_COST	NUMBER	Estimated Cost associated with project
PRJ_EST_TOTAL_COST_VAR_PCT	NUMBER	Project estimated total cost variance %
PRJ_EST_VAR_DAYS	NUMBER	Project estimated variance days.
PRJ_PCT_COMP	NUMBER	Baseline of Project % complete
PRJ_SCH_DUR	NUMBER	Baseline of Project scheduled duration
PRJ_SCH_END_DATE	NUMBER	Project Schedule End Date
PRJ_SCH_LAUNCH_DATE	NUMBER	Project scheduled launch date. The format is YYYYMMDD.
PRJ_SCH_START_DATE	NUMBER	Project Schedule Start Date
PROJECT_ORDER	NUMBER	Project order
PROJECT_WID	NUMBER	Project ID
ROW_WID	NUMBER	Row ID
SCH_TTM_DAYS	NUMBER	Scheduled TTM days
SCH_TTM_VAR_BSLN	NUMBER	Scheduled TTM date variance days over baseline
SCH_TTM_VAR_FIRST_BSLN	NUMBER	Scheduled TTM date variance days over first baseline
SCH_VAR_DAYS_BSLN	NUMBER	Scheduled date variance days over baseline
SCH_VAR_DAYS_FIRST_BSLN	NUMBER	Scheduled date variance days over first baseline
SOFT_DELETE_FLG	NUMBER	Soft delete flag
SUBCLASS_WID	NUMBER	Subclass ID
UPDATE_DATE	NUMBER	Update date

**PPM\_BUS\_UNIT\_D**

Project Business Unit Dimension Table. Contains the master list of all the business units for a project.

Column	Type	Comments
BUS_UNIT_WID	NUMBER	Business unit WID
DATASOURCE_NUM_ID	NUMBER	Datasource number ID
DELETE_FLG	NUMBER	Delete flag
INTEGRATION_ID	VARCHAR2	Integration ID
LAST_MODIFIED_DATE	DATE	Last modified date
NAME	VARCHAR2	Business unit name
ROW_WID	NUMBER	Row WID

**PPM\_CATEGORY10\_B**

Category Bridge Table. Maintains many to many relationships between category data and activities.

Column	Type	Comments
ACTIVITY_WID	NUMBER	Activity ID
DATASOURCE_NUM_ID	NUMBER	Datasource number ID
INTEGRATION_ID	VARCHAR2	Integration ID
PPM_CATEGORY10_WID	NUMBER	Category ID
ROW_WID	NUMBER	Row ID

**PPM\_CATEGORY10\_D**

Category Dimension Table. Stores category list data for activities.

Column	Type	Comments
DATASOURCE_NUM_ID	NUMBER	Datasource number ID
ENABLE	NUMBER	Enable
INTEGRATION_ID	VARCHAR2	Integration ID
LAST_MODIFIED_DATE	DATE	Last modified date
LIST_ID	NUMBER	List ID
NAME	VARCHAR2	Name
PPM_CATEGORY10_WID	NUMBER	Category ID
ROW_WID	NUMBER	Row ID

**PPM\_CATEGORY11\_B**

Category Bridge Table. Maintains many to many relationships between category data and activities.

Column	Type	Comments
ACTIVITY_WID	NUMBER	Activity ID
DATASOURCE_NUM_ID	NUMBER	Datasource number ID
INTEGRATION_ID	VARCHAR2	Integration ID
PPM_CATEGORY11_WID	NUMBER	Category ID
ROW_WID	NUMBER	Row ID

**PPM\_CATEGORY11\_D**

Category Dimension Table. Stores category list data for activities.

Column	Type	Comments
DATASOURCE_NUM_ID	NUMBER	Datasource number ID
ENABLE	NUMBER	Enable
INTEGRATION_ID	VARCHAR2	Integration ID
LAST_MODIFIED_DATE	DATE	Last modified date
LIST_ID	NUMBER	List ID
NAME	VARCHAR2	Name
PPM_CATEGORY11_WID	NUMBER	Category ID
ROW_WID	NUMBER	Row ID

**PPM\_CATEGORY12\_B**

Category Bridge Table. Maintains many to many relationships between category data and activities.

Column	Type	Comments
ACTIVITY_WID	NUMBER	Activity ID
DATASOURCE_NUM_ID	NUMBER	Datasource number ID
INTEGRATION_ID	VARCHAR2	Integration ID
PPM_CATEGORY12_WID	NUMBER	Category ID
ROW_WID	NUMBER	Row ID

**PPM\_CATEGORY12\_D**

Category Dimension Table. Stores category list data for activities.

Column	Type	Comments
DATASOURCE_NUM_ID	NUMBER	Datasource number ID
ENABLE	NUMBER	Enable
INTEGRATION_ID	VARCHAR2	Integration ID
LAST_MODIFIED_DATE	DATE	Last modified date
LIST_ID	NUMBER	List ID
NAME	VARCHAR2	Name
PPM_CATEGORY12_WID	NUMBER	Category ID
ROW_WID	NUMBER	Row ID

**PPM\_CATEGORY13\_B**

Category Bridge Table. Maintains many to many relationships between category data and activities.

Column	Type	Comments
ACTIVITY_WID	NUMBER	Activity ID
DATASOURCE_NUM_ID	NUMBER	Datasource number ID
INTEGRATION_ID	VARCHAR2	Integration ID
PPM_CATEGORY13_WID	NUMBER	Category ID
ROW_WID	NUMBER	Row ID

**PPM\_CATEGORY13\_D**

Category Dimension Table. Stores category list data for activities.

Column	Type	Comments
DATASOURCE_NUM_ID	NUMBER	Datasource number ID
ENABLE	NUMBER	Enable
INTEGRATION_ID	VARCHAR2	Integration ID
LAST_MODIFIED_DATE	DATE	Last modified date
LIST_ID	NUMBER	List ID
NAME	VARCHAR2	Name
PPM_CATEGORY13_WID	NUMBER	Category ID
ROW_WID	NUMBER	Row ID

**PPM\_CATEGORY14\_B**

Category Bridge Table. Maintains many to many relationships between category data and activities.

Column	Type	Comments
ACTIVITY_WID	NUMBER	Activity ID
DATASOURCE_NUM_ID	NUMBER	Datasource number ID
INTEGRATION_ID	VARCHAR2	Integration ID
PPM_CATEGORY14_WID	NUMBER	Category ID
ROW_WID	NUMBER	Row ID

**PPM\_CATEGORY14\_D**

Category Dimension Table. Stores category list data for activities.

Column	Type	Comments
DATASOURCE_NUM_ID	NUMBER	Datasource number ID
ENABLE	NUMBER	Enable
INTEGRATION_ID	VARCHAR2	Integration ID
LAST_MODIFIED_DATE	DATE	Last modified date
LIST_ID	NUMBER	List ID
NAME	VARCHAR2	Name
PPM_CATEGORY14_WID	NUMBER	Category ID
ROW_WID	NUMBER	Row ID

**PPM\_CATEGORY15\_B**

Category Bridge Table. Maintains many to many relationships between category data and activities.

Column	Type	Comments
ACTIVITY_WID	NUMBER	Activity ID
DATASOURCE_NUM_ID	NUMBER	Datasource number ID
INTEGRATION_ID	VARCHAR2	Integration ID
PPM_CATEGORY15_WID	NUMBER	Category ID
ROW_WID	NUMBER	Row ID

**PPM\_CATEGORY15\_D**

Category Dimension Table. Stores category list data for activities.

Column	Type	Comments
DATASOURCE_NUM_ID	NUMBER	Datasource number ID
ENABLE	NUMBER	Enable
INTEGRATION_ID	VARCHAR2	Integration ID
LAST_MODIFIED_DATE	DATE	Last modified date
LIST_ID	NUMBER	List ID
NAME	VARCHAR2	Name
PPM_CATEGORY15_WID	NUMBER	Category ID
ROW_WID	NUMBER	Row ID

**PPM\_CATEGORY16\_B**

Category Bridge Table. Maintains many to many relationships between category data and activities.

Column	Type	Comments
ACTIVITY_WID	NUMBER	Activity ID
DATASOURCE_NUM_ID	NUMBER	Datasource number ID
INTEGRATION_ID	VARCHAR2	Integration ID
PPM_CATEGORY16_WID	NUMBER	Category ID
ROW_WID	NUMBER	Row ID

**PPM\_CATEGORY16\_D**

Category Dimension Table. Stores category list data for activities.

Column	Type	Comments
DATASOURCE_NUM_ID	NUMBER	Datasource number ID
ENABLE	NUMBER	Enable
INTEGRATION_ID	VARCHAR2	Integration ID
LAST_MODIFIED_DATE	DATE	Last modified date
LIST_ID	NUMBER	List ID
NAME	VARCHAR2	Name
PPM_CATEGORY16_WID	NUMBER	Category ID
ROW_WID	NUMBER	Row ID

**PPM\_CATEGORY17\_B**

Category Bridge Table. Maintains many to many relationships between category data and activities.

Column	Type	Comments
ACTIVITY_WID	NUMBER	Activity ID
DATASOURCE_NUM_ID	NUMBER	Datasource number ID
INTEGRATION_ID	VARCHAR2	Integration ID
PPM_CATEGORY17_WID	NUMBER	Category ID
ROW_WID	NUMBER	Row ID

**PPM\_CATEGORY17\_D**

Category Dimension Table. Stores category list data for activities.

Column	Type	Comments
DATASOURCE_NUM_ID	NUMBER	Datasource number ID
ENABLE	NUMBER	Enable
INTEGRATION_ID	VARCHAR2	Integration ID
LAST_MODIFIED_DATE	DATE	Last modified date
LIST_ID	NUMBER	List ID
NAME	VARCHAR2	Name
PPM_CATEGORY17_WID	NUMBER	Category ID
ROW_WID	NUMBER	Row ID

**PPM\_CATEGORY18\_B**

Category Bridge Table. Maintains many to many relationships between category data and activities.

Column	Type	Comments
ACTIVITY_WID	NUMBER	Activity ID
DATASOURCE_NUM_ID	NUMBER	Datasource number ID
INTEGRATION_ID	VARCHAR2	Integration ID
PPM_CATEGORY18_WID	NUMBER	Category ID
ROW_WID	NUMBER	Row ID

**PPM\_CATEGORY18\_D**

Category Dimension Table. Stores category list data for activities.

Column	Type	Comments
DATASOURCE_NUM_ID	NUMBER	Datasource number ID
ENABLE	NUMBER	Enable
INTEGRATION_ID	VARCHAR2	Integration ID
LAST_MODIFIED_DATE	DATE	Last modified date
LIST_ID	NUMBER	List ID
NAME	VARCHAR2	Name
PPM_CATEGORY18_WID	NUMBER	Category ID
ROW_WID	NUMBER	Row ID

**PPM\_CATEGORY19\_B**

Category Bridge Table. Maintains many to many relationships between category data and activities.

Column	Type	Comments
ACTIVITY_WID	NUMBER	Activity ID
DATASOURCE_NUM_ID	NUMBER	Datasource number ID
INTEGRATION_ID	VARCHAR2	Integration ID
PPM_CATEGORY19_WID	NUMBER	Category ID
ROW_WID	NUMBER	Row ID

**PPM\_CATEGORY19\_D**

Category Dimension Table. Stores category list data for activities.

Column	Type	Comments
DATASOURCE_NUM_ID	NUMBER	Datasource number ID
ENABLE	NUMBER	Enable
INTEGRATION_ID	VARCHAR2	Integration ID
LAST_MODIFIED_DATE	DATE	Last modified date
LIST_ID	NUMBER	List ID
NAME	VARCHAR2	Name
PPM_CATEGORY19_WID	NUMBER	Category ID
ROW_WID	NUMBER	Row ID

**PPM\_CATEGORY20\_B**

Category Bridge Table. Maintains many to many relationships between category data and activities.

Column	Type	Comments
ACTIVITY_WID	NUMBER	Activity ID
DATASOURCE_NUM_ID	NUMBER	Datasource number ID
INTEGRATION_ID	VARCHAR2	Integration ID
PPM_CATEGORY20_WID	NUMBER	Category ID
ROW_WID	NUMBER	Row ID

**PPM\_CATEGORY20\_D**

Category Dimension Table. Stores category list data for activities.

Column	Type	Comments
DATASOURCE_NUM_ID	NUMBER	Datasource number ID
ENABLE	NUMBER	Enable
INTEGRATION_ID	VARCHAR2	Integration ID
LAST_MODIFIED_DATE	DATE	Last modified date
LIST_ID	NUMBER	List ID
NAME	VARCHAR2	Name
PPM_CATEGORY20_WID	NUMBER	Category ID
ROW_WID	NUMBER	Row ID

**PPM\_CATEGORY21\_B**

Category Bridge Table. Maintains many to many relationships between category data and activities.

Column	Type	Comments
ACTIVITY_WID	NUMBER	Activity ID
DATASOURCE_NUM_ID	NUMBER	Datasource number ID
INTEGRATION_ID	VARCHAR2	Integration ID
PPM_CATEGORY21_WID	NUMBER	Category ID
ROW_WID	NUMBER	Row ID

**PPM\_CATEGORY21\_D**

Category Dimension Table. Stores category list data for activities.

Column	Type	Comments
DATASOURCE_NUM_ID	NUMBER	Datasource number ID
ENABLE	NUMBER	Enable
INTEGRATION_ID	VARCHAR2	Integration ID
LAST_MODIFIED_DATE	DATE	Last modified date
LIST_ID	NUMBER	List ID
NAME	VARCHAR2	Name
PPM_CATEGORY21_WID	NUMBER	Category ID
ROW_WID	NUMBER	Row ID

**PPM\_CATEGORY22\_B**

Category Bridge Table. Maintains many to many relationships between category data and activities.

Column	Type	Comments
ACTIVITY_WID	NUMBER	Activity ID
DATASOURCE_NUM_ID	NUMBER	Datasource number ID
INTEGRATION_ID	VARCHAR2	Integration ID
PPM_CATEGORY22_WID	NUMBER	Category ID
ROW_WID	NUMBER	Row ID

**PPM\_CATEGORY22\_D**

Category Dimension Table. Stores category list data for activities.

Column	Type	Comments
DATASOURCE_NUM_ID	NUMBER	Datasource number ID
ENABLE	NUMBER	Enable
INTEGRATION_ID	VARCHAR2	Integration ID
LAST_MODIFIED_DATE	DATE	Last modified date
LIST_ID	NUMBER	List ID
NAME	VARCHAR2	Name
PPM_CATEGORY22_WID	NUMBER	Category ID
ROW_WID	NUMBER	Row ID

**PPM\_CATEGORY23\_B**

Category Bridge Table. Maintains many to many relationships between category data and activities.

Column	Type	Comments
ACTIVITY_WID	NUMBER	Activity ID
DATASOURCE_NUM_ID	NUMBER	Datasource number ID
INTEGRATION_ID	VARCHAR2	Integration ID
PPM_CATEGORY23_WID	NUMBER	Category ID
ROW_WID	NUMBER	Row ID

**PPM\_CATEGORY23\_D**

Category Dimension Table. Stores category list data for activities.

Column	Type	Comments
DATASOURCE_NUM_ID	NUMBER	Datasource number ID
ENABLE	NUMBER	Enable
INTEGRATION_ID	VARCHAR2	Integration ID
LAST_MODIFIED_DATE	DATE	Last modified date
LIST_ID	NUMBER	List ID
NAME	VARCHAR2	Name
PPM_CATEGORY23_WID	NUMBER	Category ID
ROW_WID	NUMBER	Row ID

**PPM\_CATEGORY24\_B**

Category Bridge Table. Maintains many to many relationships between category data and activities.

Column	Type	Comments
ACTIVITY_WID	NUMBER	Activity ID
DATASOURCE_NUM_ID	NUMBER	Datasource number ID
INTEGRATION_ID	VARCHAR2	Integration ID
PPM_CATEGORY24_WID	NUMBER	Category ID
ROW_WID	NUMBER	Row ID

**PPM\_CATEGORY24\_D**

Category Dimension Table. Stores category list data for activities.

Column	Type	Comments
DATASOURCE_NUM_ID	NUMBER	Datasource number ID
ENABLE	NUMBER	Enable
INTEGRATION_ID	VARCHAR2	Integration ID
LAST_MODIFIED_DATE	DATE	Last modified date
LIST_ID	NUMBER	List ID
NAME	VARCHAR2	Name
PPM_CATEGORY24_WID	NUMBER	Category ID
ROW_WID	NUMBER	Row ID

**PPM\_CATEGORY7\_B**

Category Bridge Table. Maintains many to many relationships between category data and activities.

Column	Type	Comments
ACTIVITY_WID	NUMBER	Activity ID
DATASOURCE_NUM_ID	NUMBER	Datasource number ID
INTEGRATION_ID	VARCHAR2	Integration ID
PPM_CATEGORY7_WID	NUMBER	Category ID
ROW_WID	NUMBER	Row ID

**PPM\_CATEGORY7\_D**

Category Dimension Table. Stores category list data for activities.

Column	Type	Comments
DATASOURCE_NUM_ID	NUMBER	Datasource number ID
ENABLE	NUMBER	Enable
INTEGRATION_ID	VARCHAR2	Integration ID
LAST_MODIFIED_DATE	DATE	Last modified date
LIST_ID	NUMBER	List ID
NAME	VARCHAR2	Name
PPM_CATEGORY7_WID	NUMBER	Category ID
ROW_WID	NUMBER	Row ID

**PPM\_CATEGORY8\_B**

Category Bridge Table. Maintains many to many relationships between category data and activities.

Column	Type	Comments
ACTIVITY_WID	NUMBER	Activity ID
DATASOURCE_NUM_ID	NUMBER	Datasource number ID
INTEGRATION_ID	VARCHAR2	Integration ID
PPM_CATEGORY8_WID	NUMBER	Category ID
ROW_WID	NUMBER	Row ID

**PPM\_CATEGORY8\_D**

Category Dimension Table. Stores category list data for activities.

Column	Type	Comments
DATASOURCE_NUM_ID	NUMBER	Datasource number ID
ENABLE	NUMBER	Enable
INTEGRATION_ID	VARCHAR2	Integration ID
LAST_MODIFIED_DATE	DATE	Last modified date
LIST_ID	NUMBER	List ID
NAME	VARCHAR2	Name
PPM_CATEGORY8_WID	NUMBER	Category ID
ROW_WID	NUMBER	Row ID

**PPM\_CATEGORY9\_B**

Category Bridge Table. Maintains many to many relationships between category data and activities.

Column	Type	Comments
ACTIVITY_WID	NUMBER	Activity ID
DATASOURCE_NUM_ID	NUMBER	Datasource number ID
INTEGRATION_ID	VARCHAR2	Integration ID
PPM_CATEGORY9_WID	NUMBER	Category ID
ROW_WID	NUMBER	Row ID

**PPM\_CATEGORY9\_D**

Category Dimension Table. Stores category list data for activities.

Column	Type	Comments
DATASOURCE_NUM_ID	NUMBER	Datasource number ID
ENABLE	NUMBER	Enable
INTEGRATION_ID	VARCHAR2	Integration ID
LAST_MODIFIED_DATE	DATE	Last modified date
LIST_ID	NUMBER	List ID
NAME	VARCHAR2	Name
PPM_CATEGORY9_WID	NUMBER	Category ID
ROW_WID	NUMBER	Row ID

**PPM\_CUSTOMER\_B**

Customer Bridge Table. Maintains many to many relationships between customer data and activities.

Column	Type	Comments
ACTIVITY_WID	NUMBER	Activity ID
DATASOURCE_NUM_ID	NUMBER	Datasource number ID
INTEGRATION_ID	VARCHAR2	Integration ID
PPM_CUSTOMER_WID	NUMBER	Customer ID
ROW_WID	NUMBER	Row ID

**PPM\_CUSTOMER\_D**

Customer Dimension Table. Stores customer data for activities.

Column	Type	Comments
DATASOURCE_NUM_ID	NUMBER	Datasource number ID
ENABLE	NUMBER	Enable
INTEGRATION_ID	VARCHAR2	Integration ID
LAST_MODIFIED_DATE	DATE	Last modified date
LIST_ID	NUMBER	List ID
NAME	VARCHAR2	Name
PPM_CUSTOMER_WID	NUMBER	Customer ID
ROW_WID	NUMBER	Row ID

**PPM\_DELIVERABLE\_D**

Deliverable Dimension table. A Deliverable is the grain.

Column	Type	Comments
ACTIVITY_WID	NUMBER	Activity WID
DATASOURCE_NUM_ID	NUMBER	Datasource number ID
DELIVERABLE_BASECLASS	VARCHAR2	Deliverable baseclass
DELIVERABLE_CLASS	VARCHAR2	Deliverable class
DELIVERABLE_NUMBER	VARCHAR2	Deliverable number
DELIVERABLE_OWNER	VARCHAR2	Deliverable owner
DELIVERABLE_SUBCLASS	VARCHAR2	Deliverable subclass
DELIVERABLE_WID	NUMBER	Deliverable WID
DESCRIPTION	VARCHAR2	Description
INTEGRATION_ID	VARCHAR2	Integration ID
LAST_MODIFIED_DATE	DATE	Last modified date
ROW_WID	NUMBER	Row WID

**PPM\_DEL\_TAG\_B**

Deliverable Tags Bridge Table. Maintains many to many relationships between deliverables and deliverable tags.

Column	Type	Comments
DATASOURCE_NUM_ID	NUMBER	Datasource number ID
DELIVERABLE_WID	NUMBER	Deliverable WID
DEL_TAG_WID	NUMBER	Deliverable tag WID
INTEGRATION_ID	VARCHAR2	Integration ID
LAST_MODIFIED_DATE	DATE	Last modified date
ROW_WID	NUMBER	Row WID

**PPM\_DEL\_TAG\_D**

Deliverable Tags Dimension table

Column	Type	Comments
DATASOURCE_NUM_ID	NUMBER	Datasource number ID
DEL_TAG_WID	NUMBER	Deliverable tag WID
INTEGRATION_ID	VARCHAR2	Integration ID
LAST_MODIFIED_DATE	DATE	Last modified date
LIST_ID	NUMBER	List ID
NAME	VARCHAR2	Deliverable tag name
ROW_WID	NUMBER	Row WID

**PPM\_DIVISION\_B**

Division Bridge Table. Maintains many to many relationships between division data and activities.

Column	Type	Comments
ACTIVITY_WID	NUMBER	Activity ID
DATASOURCE_NUM_ID	NUMBER	Datasource number ID
INTEGRATION_ID	VARCHAR2	Integration ID
PPM_DIVISION_WID	NUMBER	Division ID
ROW_WID	NUMBER	Row ID

**PPM\_DIVISION\_D**

Division Dimension Table. Stores the division data for the activities.

Column	Type	Comments
DATASOURCE_NUM_ID	NUMBER	Datasource number ID
ENABLE	NUMBER	Enable
INTEGRATION_ID	VARCHAR2	Integration ID
LAST_MODIFIED_DATE	DATE	Last modified date
LIST_ID	NUMBER	List ID
NAME	VARCHAR2	Name
PPM_DIVISION_WID	NUMBER	Division ID
ROW_WID	NUMBER	Row ID

**PPM\_FUNC\_AREA\_B**

Functional Area Bridge Table. Maintains many to many relationships between activities and functional areas.

Column	Type	Comments
ACTIVITY_WID	NUMBER	Activity ID
DATASOURCE_NUM_ID	NUMBER	Datasource number ID
INTEGRATION_ID	VARCHAR2	Integration ID
PPM_FUNC_AREA_WID	NUMBER	Functional area ID
ROW_WID	NUMBER	Row ID

**PPM\_FUNC\_AREA\_D**

Functional Area Dimension Table. Stores functional area data for activities. A Functional Area is the grain.

Column	Type	Comments
DATASOURCE_NUM_ID	NUMBER	Datasource number ID
ENABLE	NUMBER	Enable
INTEGRATION_ID	VARCHAR2	Integration ID
LAST_MODIFIED_DATE	DATE	Last modified date
LIST_ID	NUMBER	List ID
NAME	VARCHAR2	Name
PPM_FUNC_AREA_WID	NUMBER	Functional area ID
ROW_WID	NUMBER	Row ID

**PPM\_GATE\_D**

Gate Dimension Table. Stores the resolved dimension attributes data for gates. A Gate is the grain. This table does not contain any private templates. Initiated flag determines whether a gate is initiated or not.

Column	Type	Comments
ARCHIVED_FLG	NUMBER	Archived flag
CAPITAL_COST_ACT_FLG	NUMBER	Capital cost actual flag
CAPITAL_COST_BGT_FLG	NUMBER	Capital cost budgeted flag
CAPITAL_COST_EAC_FLG	NUMBER	Capital cost calculated EAC flag
COMPLETE_GATE_FLG	NUMBER	Complete gate flag
CONTROLLED_FLG	NUMBER	Controlled flag
COST_STATUS	VARCHAR2	Cost status
COST_STATUS_REASON	VARCHAR2	Cost status reason
CREATED_FROM_TEMPLATE	VARCHAR2	Created from template
CRITICAL	VARCHAR2	Critical
CURRENT_GATE	VARCHAR2	Current gate
CURRENT_GATE_FLG	NUMBER	Current gate flag
DATASOURCE_NUM_ID	NUMBER	Datasource number ID
DELEGATED_OWNER	VARCHAR2	Delegated owner
DELETE_FLG	NUMBER	Delete flag
DESCRIPTION	VARCHAR2	Description
DOMAIN_VALUE	NUMBER	Domain value bucket based on the configuration rules. 1. Portfolio, 2. Program, 3. Project, 4. Phase, 5. Task, 6. Decision Gate, 7. Gate.
DURATION_TYPE	VARCHAR2	Duration type
ETL_PROC_WID	NUMBER	ETL process ID
FIXED_COST_ACT_FLG	NUMBER	Fixed cost actual flag
FIXED_COST_BGT_FLG	NUMBER	Fixed cost budgeted flag
FIXED_COST_EAC_FLG	NUMBER	Fixed cost calculated EAC flag
FLEX_COST_ACT_FLG	NUMBER	Flex cost actual flag
FLEX_COST_BGT_FLG	NUMBER	Flex cost budgeted flag
FLEX_COST_EAC_FLG	NUMBER	Flex cost calculated EAC flag
GATE_NO	VARCHAR2	Gate number
GATE_WID	NUMBER	Gate ID
GLOBAL	VARCHAR2	Global
INITIATED_FLG	NUMBER	Initiated flag
INTEGRATION_ID	VARCHAR2	Integration ID
IS_TEMPLATE_FLG	NUMBER	Is template flag: will be 1 if the project state is Template, else 0.
LAST_MODIFIED_DATE	DATE	Last modified date
LOCKED_FROM_PROGRAM	VARCHAR2	Locked from program
LOCK_STATUS	VARCHAR2	Lock status
LOCK_USER	VARCHAR2	Lock user
NAME	VARCHAR2	Name
OVERALL_STATUS	VARCHAR2	Overall status
PROJECT_STATE	VARCHAR2	Project state
QUALITY_STATUS	VARCHAR2	Quality status
QUALITY_STATUS_REASON	VARCHAR2	Quality status reason

---

RAG_STATUS	VARCHAR2	Rag status
RESOURCE_STATUS	VARCHAR2	Resource status
RESOURCE_STATUS_REASON	VARCHAR2	Resource status reason
RESOURCE_TYPE	VARCHAR2	Resource type
ROLLUP_HEALTH_STATUS	VARCHAR2	Rollup health status
ROW_WID	NUMBER	Row ID
SCHEDULE_EDITOR	VARCHAR2	Schedule editor
SCHEDULE_STATUS	VARCHAR2	Schedule status
SCHEDULE_STATUS_REASON	VARCHAR2	Schedule status reason
STATUS	VARCHAR2	Status
STATUS_TYPE	VARCHAR2	Status type
TYPE	VARCHAR2	Type
WORKFLOW	VARCHAR2	Workflow

**PPM\_INT\_ORGANIZATION\_B**

Internal Organization Bridge Table. Maintains many to many relationships between internal organization data and activities.

Column	Type	Comments
ACTIVITY_WID	NUMBER	Activity ID
DATASOURCE_NUM_ID	NUMBER	Datasource number ID
INTEGRATION_ID	VARCHAR2	Integration ID
PPM_INT_ORGANIZATION_WID	NUMBER	Internal organization ID
ROW_WID	NUMBER	Row ID

**PPM\_ITEM\_B**

Item Bridge Table. Maintains many to many relationships between item data and activities.

Column	Type	Comments
ACTIVITY_WID	NUMBER	Activity ID
DATASOURCE_NUM_ID	NUMBER	Datasource number ID
INTEGRATION_ID	VARCHAR2	Integration ID
ITEM_WID	NUMBER	Item ID
ROW_WID	NUMBER	Row ID

**PPM\_LAUNCH\_YEAR\_B**

Launch Year Bridge Table. Maintains many to many relationships between launch year data and activities.

Column	Type	Comments
ACTIVITY_WID	NUMBER	Activity ID
DATASOURCE_NUM_ID	NUMBER	Datasource number ID
INTEGRATION_ID	VARCHAR2	Integration ID
LAUNCH_YEAR_WID	NUMBER	Launch year ID
ROW_WID	NUMBER	Row ID

**PPM\_LAUNCH\_YEAR\_D**

Launch Year Dimension Table. Stores the launch year data for activities.

Column	Type	Comments
DATASOURCE_NUM_ID	NUMBER	Datasource number ID
ENABLE	NUMBER	Enable
INTEGRATION_ID	VARCHAR2	Integration ID
LAST_MODIFIED_DATE	DATE	Last modified date
LAUNCH_YEAR_WID	NUMBER	Launch year ID
LIST_ID	NUMBER	List ID
NAME	VARCHAR2	Name
ROW_WID	NUMBER	Row ID

**PPM\_LOCATION\_B**

Location Bridge Table. Maintains many to many relationships between location data and activities.

Column	Type	Comments
ACTIVITY_WID	NUMBER	Activity ID
DATASOURCE_NUM_ID	NUMBER	Datasource number ID
INTEGRATION_ID	VARCHAR2	Integration ID
PPM_LOCATION_WID	NUMBER	Location ID
ROW_WID	NUMBER	Row ID

**PPM\_LOCATION\_D**

Location Dimension Table. Stores location data for activities.

Column	Type	Comments
DATASOURCE_NUM_ID	NUMBER	Datasource number ID
ENABLE	NUMBER	Enable
INTEGRATION_ID	VARCHAR2	Integration ID
LAST_MODIFIED_DATE	DATE	Last modified date
LIST_ID	NUMBER	List ID
NAME	VARCHAR2	Name
PPM_LOCATION_WID	NUMBER	Location ID
ROW_WID	NUMBER	Row ID

**PPM\_PHASE\_D**

Phase Dimension Table. Stores the resolved dimension attributes data for Phase activities. It does not contain any private templates. A Phase is the grain. Initiated flag will determine whether a phase is initiated or not.

Column	Type	Comments
ARCHIVED_FLG	NUMBER	Archived flag
CAPITAL_COST_ACT_FLG	NUMBER	Capital cost actual flag
CAPITAL_COST_BGT_FLG	NUMBER	Capital cost budgeted flag
CAPITAL_COST_EAC_FLG	NUMBER	Capital cost calculated EAC flag
CLOSED_PHASE_FLG	NUMBER	Closed phase flag
CONTROLLED_FLG	NUMBER	Controlled flag
COST_STATUS	VARCHAR2	Cost status
COST_STATUS_REASON	VARCHAR2	Cost status reason
CREATED_FROM_TEMPLATE	VARCHAR2	Created from template
CRITICAL	VARCHAR2	Critical
CURRENT_STAGE_FLG	NUMBER	Current stage flag
DATASOURCE_NUM_ID	NUMBER	Datasource number ID
DELEGATED_OWNER	VARCHAR2	Delegated owner
DELETE_FLG	NUMBER	Delete flag
DESCRIPTION	VARCHAR2	Description
DOMAIN_VALUE	NUMBER	Domain value bucket based on the configuration rules. 1. Portfolio, 2. Program, 3. Project, 4. Phase, 5. Task, 6. Decision Gate, 7. Gate.
DURATION_TYPE	VARCHAR2	Duration type
ETL_PROC_WID	NUMBER	ETL process ID
FIXED_COST_ACT_FLG	NUMBER	Fixed cost actual flag
FIXED_COST_BGT_FLG	NUMBER	Fixed cost budgeted flag
FIXED_COST_EAC_FLG	NUMBER	Fixed cost calculated EAC flag
FLEX_COST_ACT_FLG	NUMBER	Flex cost actual flag
FLEX_COST_BGT_FLG	NUMBER	Flex cost budgeted flag
FLEX_COST_EAC_FLG	NUMBER	Flex cost calculated EAC flag
GLOBAL	VARCHAR2	Global
INITIATED_FLG	NUMBER	Initiated flag
INTEGRATION_ID	VARCHAR2	Integration ID
IS_TEMPLATE_FLG	NUMBER	Is template flag: will be 1 if the project state is Template, else 0.
LAST_MODIFIED_DATE	DATE	Last modified date
LOCKED_FROM_PROGRAM	VARCHAR2	Locked from program
LOCK_STATUS	VARCHAR2	Lock status
LOCK_USER	VARCHAR2	Lock user
NAME	VARCHAR2	Name
OVERALL_STATUS	VARCHAR2	Overall status
PHASE_NO	VARCHAR2	Phase number
PHASE_WID	NUMBER	Phase ID
PROJECT_STATE	VARCHAR2	Project state
QUALITY_STATUS	VARCHAR2	Quality status
QUALITY_STATUS_REASON	VARCHAR2	Quality status reason
RESOURCE_STATUS	VARCHAR2	Resource status

---

RESOURCE_STATUS_REASON	VARCHAR2	Resource status reason
RESOURCE_TYPE	VARCHAR2	Resource type
ROLLUP_HEALTH_STATUS	VARCHAR2	Rollup health status
ROW_WID	NUMBER	Row ID
SCHEDULE_EDITOR	VARCHAR2	Schedule editor
SCHEDULE_STATUS	VARCHAR2	Schedule status
SCHEDULE_STATUS_REASON	VARCHAR2	Schedule status reason
STATUS	VARCHAR2	Status
STATUS_TYPE	VARCHAR2	Status type
TYPE	VARCHAR2	Type
WORKFLOW	VARCHAR2	Workflow

**PPM\_PHASE\_GATE\_F**

Phase Gate Fact Table. A gate is the grain. Stores data that has the relationship between a phase and a gate. The grain of the table is Gate of type DG1-DG6 and the start gates. The measures are analyzed with not just the gate dimensions but also with project, phase, program and portfolio dimensions the gate belongs to. The source input for the table is the activity table. The phase derivation is based on the configuration and business rules. Only user-defined measures from the gate are propagated to the phase gate fact table and it is a services activity to bring in the facts into the model. This table does not contain any private templates.

Column	Type	Comments
ACTIVE_GATE_FLG	NUMBER	Active gate Flag
ACTIVE_PH_FLG	NUMBER	Active phase flag
ACTIVITY_WID	NUMBER	Activity ID
ACT_END_DATE	NUMBER	Actual End Date
ACT_PH_DUR_VAR_PCT	NUMBER	Actual Phase duration variance percent. Phase here is the Phase associated with Gate.
ACT_PH_TOTAL_COST_VAR_PCT	NUMBER	Phase Actual Total cost variance percent
ACT_PRJ_DUR_DAYS	NUMBER	Actual Project Duration based on Actual Start date of Project
ACT_PRJ_EFF_DAYS_EFF	NUMBER	Actual Project Days Effort
ACT_START_DATE	NUMBER	Actual Start Date
CANCELLED_PRJ_FLG	NUMBER	Cancelled Project flag
CLASS_WID	NUMBER	Class ID
CLOSED_PH_FLG	NUMBER	Closed phase flag
CREATE_DATE	NUMBER	Create date
CUR_GATE_FLG	NUMBER	Current gate flag
CUR_GATE_SCH_VAR_DAYS	NUMBER	Schedule variance of current gate in days
CUR_PH_FLG	NUMBER	Current phase flag
DATASOURCE_NUM_ID	NUMBER	Datasource number ID
DELAYED_GATE_FLG	NUMBER	Delayed Gate flag
DEL_FLG	NUMBER	Deliverable Flag
EST_END_DATE	NUMBER	Estimated End Date
EST_PH_DUR_VAR_PCT	NUMBER	Estimated Phase duration variance percent. Phase here is the Phase associated with Gate.
EST_PH_TOTAL_COST_VAR_PCT	NUMBER	Phase Estimated Total cost variance percent.
EST_PRJ_DUR_REMAIN_DAYS	NUMBER	Estimated project duration remaining
EST_PRJ_EFF_REMAIN_DAYS_EFF	NUMBER	Total Effort estimated to be remaining on Project. This is calculated using the Project Estimated Start and End dates
EST_START_DATE	NUMBER	Estimated Start Date
ETL_PROC_WID	NUMBER	ETL process ID
GATE_ACT_DATE	NUMBER	Gate actual date
GATE_ACT_DAYS_LAUNCH	NUMBER	Actual Days to Launch date from Gate end date
GATE_ACT_END_DATE	NUMBER	Gate Actual End Date
GATE_ACT_IN_MARKET_DATE	NUMBER	Actual in-market date. The format is YYYYMMDD.
GATE_ACT_START_DATE	NUMBER	Gate actual start date. The format is YYYYMMDD.
GATE_CUR_DEL_FLG	NUMBER	Delayed current gate flag.
GATE_DEC_ACT_DUR_DAYS	NUMBER	Actual Duration days to Decision Gate
GATE_DEC_SBMT_REL_DUR_DAYS	NUMBER	Avg Decision Gate submit to release duration days
GATE_DEC_SCH_DUR_DAYS	NUMBER	Scheduled Duration days to Decision Gate

GATE_DEL_CMPL_FLG	NUMBER	Delayed complete gate flag. If Gate Actual End Date > Gate Planned End Date then 1 else 0. Return completed gates only
GATE_DUR_DAYS_ELAPSED	NUMBER	Gate duration days elapsed
GATE_EST_END_DATE	NUMBER	Gate Estimated End Date
GATE_OPEN_COMP_ACT_VAR_DAYS	NUMBER	Gate completion actual variance days
GATE_OPEN_COMP_EST_VAR_DAYS	NUMBER	Gate completion estimated variance days
GATE_OPEN_COMP_SCH_VAR_DAYS	NUMBER	Gate completion schedule variance days
GATE_OWNER_WID	NUMBER	Gate owner ID
GATE_PLAN_END_DATE	NUMBER	Planned gate end date. The format is YYYYMMDD.
GATE_PLAN_IN_MARKET_DATE	NUMBER	Planned in-market date. The format is YYYYMMDD.
GATE_SCH_DATE	NUMBER	Gate scheduled date
GATE_SCH_DAYS_LAUNCH	NUMBER	Scheduled Days to Launch date from Gate end date
GATE_SCH_END_DATE	NUMBER	Gate Scheduled End Date
GATE_TPL_DAYS_LAUNCH	NUMBER	Template Days to Launch date from Gate date
GATE_TPL_DAYS_PRJ_START_DATE	NUMBER	Template Days to Decision Gate from Project Start
GATE_TPL_DUR_DAYS	NUMBER	Gate template duration days.
GATE_TPL_DUR_DAYS_THRES	NUMBER	Gate Template Duration days to threshold
GATE_TPL_DUR_DAYS_WARN	NUMBER	Gate Template Duration days to warning
GATE_WID	NUMBER	Gate ID
HAS_MUL_ACTIVE_GATES_FLG	NUMBER	Has multiple active gates flag
HAS_MUL_ACTIVE_PHASES_FLG	NUMBER	Has multiple active phases flag
INITIATED_FLG	NUMBER	Initiated flag, will determine whether a gate is initiated or not.
INTEGRATION_ID	VARCHAR2	Integration ID
LAST_MODIFIED_DATE	DATE	Last modified date
NO_CUR_GATES_PLAN_END_DATE	NUMBER	Count of projects that are striving for a given gate, this includes both project in a status of a stage or a gates. Therefore if you have 4 projects in stage 2 and 3 projects in gate 2 then the Number of Current Gates is 7. For historical gates we will ha
NO_DEL_TASKS_PEND_AT_PH_W_GATE	NUMBER	# of deliverable tasks pending at Phase associated with gate.
NO_TASKS_PEND_AT_PH_W_GATE	NUMBER	# of tasks pending at Phase associated with gate.
NPV_AT_GATE	NUMBER	Net Present Value at Gate
OPENED_GATE_FLG	NUMBER	Opened gate Flag
OWNER_WID	NUMBER	Owner ID
PCT_COMP_OF_PH_W_GATE	NUMBER	% Complete of Phase associated with Gate
PCT_NPV_CHG_AT_CUR_GATE	NUMBER	Percentage Change in Net Present Value at current gate over previous gate
PHASE_OWNER_WID	NUMBER	Phase owner ID
PHASE_WID	NUMBER	Phase ID
PH_ACT_DUR_DAYS	NUMBER	Phase Actual duration days
PH_ACT_END_DATE	NUMBER	Phase Actual End Date
PH_ACT_END_VAR_DAYS	NUMBER	Phase Actual End Variance Days
PH_ACT_START_DATE	NUMBER	Phase Actual Start Date
PH_ACT_START_VAR_DAYS	NUMBER	Phase Actual Start Variance Days
PH_EFF_WD_VAR_PCT	NUMBER	Phase Effort work days variance %
PH_EST_END_VAR_DAYS	NUMBER	Phase Estimated End Variance Days
PH_EST_START_VAR_DAYS	NUMBER	Phase Estimated Start Variance Days
PH_GATE_DUR_DAYS	NUMBER	Phase-Gate duration days
PH_NO_TASKS_COMP_LATE_PCT	NUMBER	Phase # tasks completed late %

PH_SCH_END_DATE	NUMBER	Phase Schedule End Date
PH_SCH_START_DATE	NUMBER	Phase Schedule Start Date
PRJ_ACT_END_DATE	NUMBER	Project Actual End Date
PRJ_ACT_LAUNCH_DATE	NUMBER	Project actual launch date
PRJ_ACT_START_DATE	NUMBER	Project Actual Start Date
PRJ_PLAN_IN_MARKET_DATE	NUMBER	Project planned in-market date. The format is YYYYMMDD.
PRJ_PLAN_START_DATE	NUMBER	Project scheduled start date. The format is YYYYMMDD.
PRJ_SCH_END_DATE	NUMBER	Project Schedule End Date
PRJ_SCH_LAUNCH_DATE	NUMBER	Project scheduled launch date
PRJ_SCH_START_DATE	NUMBER	Project Schedule Start Date
PRJ_TOTAL_ACT_COST	NUMBER	Actual Total Project Cost
PRJ_TOTAL_BGT_COST_REMAIN	NUMBER	Project Total Budgeted Cost remaining is difference between Total Budgeted Cost and Total Actual Cost
PRJ_TOTAL_EST_COST_TO_COMP	NUMBER	Project Total Estimated cost to Completion
PROJECT_ORDER	NUMBER	Project order
PROJECT_OWNER_WID	NUMBER	Project owner ID
PROJECT_WID	NUMBER	Project ID
PROPOSED_ACTIVE_FLG_ROOT_PRG	NUMBER	Proposed/active flag for root program
ROW_WID	NUMBER	Row ID
SCH_END_DATE	NUMBER	Scheduled End Date
SCH_PRJ_DUR_REMAIN_DAYS	NUMBER	Scheduled project duration remaining
SCH_PRJ_EFF_REMAIN_DAYS_EFF	NUMBER	Schedule Days effort remaining on project
SCH_START_DATE	NUMBER	Schedule Start Date
SKIP_FLG	NUMBER	Skip flag
SOFT_DELETE_FLG	NUMBER	Soft delete flag
SUBCLASS_WID	NUMBER	Subclass ID
TPL_FLG	NUMBER	Template flag
UPDATE_DATE	NUMBER	Update date

**PPM\_PHASE\_GATE\_SIGNOFF\_F**

Phase gate fact table. The grain is the gate and each of the signoff.

Column	Type	Comments
ACTIVITY_WID	NUMBER	Activity WID
BEYOND_RED_FLG	NUMBER	1 if current date > Red date and signatures are pending
BEYOND_AMBER_FLG	NUMBER	1 if current date > Amber date and signatures are pending
DATASOURCE_NUM_ID	NUMBER	Datasource number ID
DELETE_FLG	NUMBER	Delete flag
FUNC_AREA_WID	NUMBER	Gate Signatory functional area
GATE_ACT_DATE	NUMBER	Gate actual date. The format is YYYYMMDD.
GATE_SCH_DATE	NUMBER	Gate scheduled date. The format is YYYYMMDD.
GATE_TPL_DAYSAMBER	NUMBER	Gate template days to amber (from project template, private)
GATE_TPL_DAYS_RED	NUMBER	Gate template days to red (from project template, private)
GATE_WID	NUMBER	Gate WID
INTEGRATION_ID	VARCHAR2	Integration ID
LAST_MODIFIED_DATE	DATE	Last modified date
PHASE_WID	NUMBER	Phase WID
PH_ACT_END_DATE	NUMBER	Phase actual end date. The format is YYYYMMDD.
PH_ACT_START_DATE	NUMBER	Phase actual start date. The format is YYYYMMDD.
PH_SCH_END_DATE	NUMBER	Phase scheduled end date. The format is YYYYMMDD.
PH_SCH_START_DATE	NUMBER	Phase scheduled start date. The format is YYYYMMDD.
PRJ_ACT_END_DATE	NUMBER	Project actual end date. The format is YYYYMMDD.
PRJ_ACT_LAUNCH_DATE	NUMBER	Project actual launch date. The format is YYYYMMDD.
PRJ_ACT_START_DATE	NUMBER	Project actual start date. The format is YYYYMMDD.
PRJ_SCH_END_DATE	NUMBER	Project scheduled end date. The format is YYYYMMDD.
PRJ_SCH_LAUNCH_DATE	NUMBER	Project scheduled launch date. The format is YYYYMMDD.
PRJ_SCH_START_DATE	NUMBER	Project scheduled start date. The format is YYYYMMDD.
PROJECT_WID	NUMBER	Project WID
ROW_WID	NUMBER	Row WID
SIGN_REQ_SIGN_OFF_DATE	NUMBER	Signature request sign off date. The format is YYYYMMDD.
SKIP_FLG	NUMBER	Skip flag
TRADE_SPEC_WID	NUMBER	Trade specification WID
USER_WID	NUMBER	Gate signatory wid

**PPM\_PHASE\_WORKFLOW\_D**

Phase Workflow Dimension Table. Stores resolved dimension attributes data for phase workflows.

Column	Type	Comments
CT_ENABLED	NUMBER	CT enabled flag
DATASOURCE_NUM_ID	NUMBER	Datasource number ID
ENABLE	NUMBER	Enabled flag
INTEGRATION_ID	VARCHAR2	Integration ID
LIST_ID	NUMBER	List ID
PPM_PHASE_WORKFLOW_ID	NUMBER	Phase workflow ID
ROW_WID	NUMBER	Row ID
WORKFLOW	VARCHAR2	Workflow name
WORKFLOW_ID	NUMBER	Workflow ID
WORKFLOW_STATE	VARCHAR2	Workflow state
WORKFLOW_STATE_ID	NUMBER	Workflow state ID
WORKFLOW_TYPE	VARCHAR2	Workflow type

**PPM\_PORTFOLIO\_D**

Portfolio Dimension Table. Stores resolved dimension attributes data for Portfolio activities.

Column	Type	Comments
ARCHIVED_FLG	NUMBER	Archived flag
CAPITAL_COST_ACT_FLG	NUMBER	Capital cost actual flag
CAPITAL_COST_BGT_FLG	NUMBER	Capital cost budgeted flag
CAPITAL_COST_EAC_FLG	NUMBER	Capital cost calculated EAC flag
CONTROLLED_FLG	NUMBER	Controlled flag
COST_STATUS	VARCHAR2	Cost status
COST_STATUS_REASON	VARCHAR2	Cost status reason
CREATED_FROM_TEMPLATE	VARCHAR2	Created from template
CRITICAL	VARCHAR2	Critical
DATASOURCE_NUM_ID	NUMBER	Datasource number ID
DELEGATED_OWNER	VARCHAR2	Delegated owner
DESCRIPTION	VARCHAR2	Description
DOMAIN_VALUE	NUMBER	Domain value bucket based on the configuration rules. 1. Portfolio, 2. Program, 3. Project, 4. Phase, 5. Task, 6. Decision Gate, 7. Gate.
DURATION_TYPE	VARCHAR2	Duration type
ETL_PROC_WID	NUMBER	ETL process ID
FIXED_COST_ACT_FLG	NUMBER	Fixed cost actual flag
FIXED_COST_BGT_FLG	NUMBER	Fixed cost budgeted flag
FIXED_COST_EAC_FLG	NUMBER	Fixed cost calculated EAC flag
FLEX_COST_ACT_FLG	NUMBER	Flex cost actual flag
FLEX_COST_BGT_FLG	NUMBER	Flex cost budgeted flag
FLEX_COST_EAC_FLG	NUMBER	Flex cost calculated EAC flag
GLOBAL	VARCHAR2	Global
INTEGRATION_ID	VARCHAR2	Integration ID
IS_TEMPLATE_FLG	NUMBER	Is template flag: will be 1 if the project state is Template, else 0.
LOCKED_FROM_PROGRAM	VARCHAR2	Locked from program
LOCK_STATUS	VARCHAR2	Lock status
LOCK_USER	VARCHAR2	Lock user
NAME	VARCHAR2	Name
OVERALL_STATUS	VARCHAR2	Overall status
PF_ACT_END_DATE	NUMBER	Portfolio actual end date
PF_ACT_START_DATE	NUMBER	Portfolio actual start date
PF_EST_END_DATE	NUMBER	Portfolio estimated end date
PF_EST_START_DATE	NUMBER	Portfolio estimated start date
PF_SCH_END_DATE	NUMBER	Portfolio scheduled end date
PF_SCH_START_DATE	NUMBER	Portfolio scheduled start date
PORTFOLIO_NO	VARCHAR2	Portfolio number
PORTFOLIO_WID	NUMBER	Portfolio ID
PROJECT_STATE	VARCHAR2	Project state
QUALITY_STATUS	VARCHAR2	Quality status
QUALITY_STATUS_REASON	VARCHAR2	Quality status reason
RESOURCE_STATUS	VARCHAR2	Resource status
RESOURCE_STATUS_REASON	VARCHAR2	Resource status reason

RESOURCE_TYPE	VARCHAR2	Resource type
ROLLUP_HEALTH_STATUS	VARCHAR2	Rollup health status
ROW_WID	NUMBER	Row ID
SCHEDULE_EDITOR	VARCHAR2	Schedule editor
SCHEDULE_STATUS	VARCHAR2	Schedule status
SCHEDULE_STATUS_REASON	VARCHAR2	Schedule status reason
STATUS	VARCHAR2	Status
STATUS_TYPE	VARCHAR2	Status type
TYPE	VARCHAR2	Type
WORKFLOW	VARCHAR2	Workflow

**PPM\_PORTFOLIO\_F**

Portfolio fact table Stores the portfolio summary data to support the analysis of the portfolio measures which is derived from the PLM reference number.

Column	Type	Comments
CLASS_WID	NUMBER	Class ID
CREATE_DATE	NUMBER	Create date
DATASOURCE_NUM_ID	NUMBER	Datasource number ID
ETL_PROC_WID	NUMBER	ETL process ID
INTEGRATION_ID	VARCHAR2	Integration ID
LAST_MODIFIED_DATE	DATE	Last modified date
OWNER_WID	NUMBER	Owner ID
PF_ACT_END_DATE	NUMBER	Portfolio Actual End date
PF_ACT_START_DATE	NUMBER	Portfolio Actual Start date
PF_EST_COST_VAR	NUMBER	Portfolio Estimated Cost variance
PF_EST_END_DATE	NUMBER	Portfolio Estimated End date
PF_EST_START_DATE	NUMBER	Portfolio Estimated Start date
PF_EST_TOTAL_COST_TO_COMP	NUMBER	Portfolio Estimated total cost to complete rolled up from projects under portfolio
PF_SCH_END_DATE	NUMBER	Portfolio Scheduled end date
PF_SCH_END_DATE_VAR_DAYS	NUMBER	Provides schedule end date variance in days between Project that has scheduled end date and Portfolio schedule end date
PF_SCH_START_DATE	NUMBER	Portfolio Scheduled start date
PF_TOTAL_ACT_COST	NUMBER	Portfolio Total Actual cost
PF_TOTAL_BGT_COST	NUMBER	Portfolio Total Budgeted cost
PORTFOLIO_NO	VARCHAR2	Portfolio number
PORTFOLIO_WID	NUMBER	Portfolio ID
ROW_WID	NUMBER	Row ID
SOFT_DELETE_FLG	NUMBER	Soft delete flag
SUBCLASS_WID	NUMBER	Subclass ID
UPDATE_DATE	NUMBER	Update date

**PPM\_PRD\_DEMAND\_F**

Product Demand Fact Table.

Column	Type	Comments
CUSTOMER_WID	NUMBER	Customer WID
ERP_ITEM_NO	VARCHAR2	ERP item number
EXT_TEMPLATE_DATE	NUMBER	External template date
ITEM_CATEGORY_WID	NUMBER	Item category WID
ITEM_COMMODITY_WID	NUMBER	Item commodity WID
ITEM_PART_FAMILY_WID	NUMBER	Item part family WID
ITEM_SIZE_WID	NUMBER	Item size WID
ITEM_TYPE_WID	NUMBER	Item type WID
ITEM_WID	NUMBER	Item WID
NO_OF_UNITS	NUMBER	Number of units
PLAN_VS_ACTUAL	VARCHAR2	Planned verses actual
REF_NO	VARCHAR2	Reference number
SITE_WID	NUMBER	Site WID
SUPPLIER_WID	NUMBER	Supplier WID
TRANSACTION_TYPE	VARCHAR2	Transaction type

**PPM\_PRD\_DEMAND\_TMP**

Product Demand Temporary Table.

Column	Type	Comments
CUSTOMER_NO	VARCHAR2	Customer number
ERP_ITEM_NO	VARCHAR2	ERP item number
EXT_TEMPLATE_DATE	DATE	External template date
ITEM_NO	VARCHAR2	Item number
NO_OF_UNITS	NUMBER	Number of units
PLAN_VS_ACTUAL	VARCHAR2	Planned verses actual
REF_NO	VARCHAR2	Reference number
SITE	VARCHAR2	Site
SUPPLIER_NO	VARCHAR2	Supplier number
TRANSACTION_TYPE	VARCHAR2	Transaction type

**PPM\_PRD\_INV\_QTY\_F**

Product Inventory Quantities Fact Table.

Column	Type	Comments
ERP_ITEM_NO	VARCHAR2	ERP item number
EXT_TEMPLATE_DATE	NUMBER	External template date
ITEM_CATEGORY_WID	NUMBER	Item category WID
ITEM_COMMODITY_WID	NUMBER	Item commodity WID
ITEM_PART_FAMILY_WID	NUMBER	Item part family WID
ITEM_SIZE_WID	NUMBER	Item size WID
ITEM_TYPE_WID	NUMBER	Item type WID
ITEM_WID	NUMBER	Item WID
NO_OF_UNITS	NUMBER	Number of units
PLAN_VS_ACTUAL	VARCHAR2	Planned verses actual
REF_NO	VARCHAR2	Reference number
SITE_WID	NUMBER	Site WID
SUPPLIER_WID	NUMBER	Supplier WID
TRANSACTION_TYPE	VARCHAR2	Transaction type

**PPM\_PRD\_INV\_QTY\_TMP**

Product Inventory Quantities Temporary Table.

Column	Type	Comments
ERP_ITEM_NO	VARCHAR2	ERP item number
EXT_TEMPLATE_DATE	DATE	External template date
ITEM_NO	VARCHAR2	Item number
NO_OF_UNITS	NUMBER	Number of units
PLAN_VS_ACTUAL	VARCHAR2	Planned verses actual
REF_NO	VARCHAR2	Reference number
SITE	VARCHAR2	Site
SUPPLIER_NO	VARCHAR2	Supplier number
TRANSACTION_TYPE	VARCHAR2	Transaction type

**PPM\_PRD\_INV\_VALUE\_F**

Product Inventory Values Fact Table.

Column	Type	Comments
AMOUNT	NUMBER	Amount
ERP_ITEM_NO	VARCHAR2	ERP item number
EXT_TEMPLATE_DATE	NUMBER	External template date
ITEM_CATEGORY_WID	NUMBER	Item category WID
ITEM_COMMODITY_WID	NUMBER	Item commodity WID
ITEM_PART_FAMILY_WID	NUMBER	Item part family WID
ITEM_SIZE_WID	NUMBER	Item size WID
ITEM_TYPE_WID	NUMBER	Item type WID
ITEM_WID	NUMBER	Item WID
PLAN_VS_ACTUAL	VARCHAR2	Planned verses actual
REF_NO	VARCHAR2	Reference number
SITE_WID	NUMBER	Site WID
SUPPLIER_WID	NUMBER	Supplier WID
TRANSACTION_TYPE	VARCHAR2	Transaction type

**PPM\_PRD\_INV\_VALUE\_TMP**

Product Inventory Values Temporary Table.

Column	Type	Comments
AMOUNT	NUMBER	Amount
ERP_ITEM_NO	VARCHAR2	ERP item number
EXT_TEMPLATE_DATE	DATE	External template date
ITEM_NO	VARCHAR2	Item number
PLAN_VS_ACTUAL	VARCHAR2	Planned verses actual
REF_NO	VARCHAR2	Reference number
SITE	VARCHAR2	Site
SUPPLIER_NO	VARCHAR2	Supplier number
TRANSACTION_TYPE	VARCHAR2	Transaction type

**PPM\_PRD\_REVENUE\_F**

Product Revenues Fact Table.

Column	Type	Comments
AMOUNT	NUMBER	Amount
CUSTOMER_WID	NUMBER	Customer WID
ERP_ITEM_NO	VARCHAR2	ERP item number
EXT_TEMPLATE_DATE	NUMBER	External template date
ITEM_CATEGORY_WID	NUMBER	Item category WID
ITEM_COMMODITY_WID	NUMBER	Item commodity WID
ITEM_PART_FAMILY_WID	NUMBER	Item part family WID
ITEM_SIZE_WID	NUMBER	Item size WID
ITEM_TYPE_WID	NUMBER	Item type WID
ITEM_WID	NUMBER	Item WID
PLAN_VS_ACTUAL	VARCHAR2	Planned verses actual
REF_NO	VARCHAR2	Reference number
SITE_WID	NUMBER	Site WID
TRANSACTION_TYPE	VARCHAR2	Transaction type

**PPM\_PRD\_REVENUE\_TMP**

Product Revenues Temporary Table.

Column	Type	Comments
AMOUNT	NUMBER	Amount
CUSTOMER_NO	VARCHAR2	Customer number
ERP_ITEM_NO	VARCHAR2	ERP item number
EXT_TEMPLATE_DATE	DATE	External template date
ITEM_NO	VARCHAR2	Item number
PLAN_VS_ACTUAL	VARCHAR2	Planned verses actual
REF_NO	VARCHAR2	Reference number
SITE	VARCHAR2	Site
TRANSACTION_TYPE	VARCHAR2	Transaction type

**PPM\_PRD\_UNIT\_REC\_F**

Product Units Received Fact Table.

Column	Type	Comments
ERP_ITEM_NO	VARCHAR2	ERP item number
EXT_TEMPLATE_DATE	NUMBER	External template date
ITEM_CATEGORY_WID	NUMBER	Item category WID
ITEM_COMMODITY_WID	NUMBER	Item commodity WID
ITEM_PART_FAMILY_WID	NUMBER	Item part family WID
ITEM_SIZE_WID	NUMBER	Item size WID
ITEM_TYPE_WID	NUMBER	Item type WID
ITEM_WID	NUMBER	Item WID
NO_OF_UNITS	NUMBER	Number of units
PLAN_VS_ACTUAL	VARCHAR2	Planned verses actual
REF_NO	VARCHAR2	Reference number
SITE_WID	NUMBER	Site WID
SUPPLIER_WID	NUMBER	Supplier WID
TRANSACTION_TYPE	VARCHAR2	Transaction type

**PPM\_PRD\_UNIT\_REC\_TMP**

Product Units Received Temporary Table.

Column	Type	Comments
ERP_ITEM_NO	VARCHAR2	ERP item number
EXT_TEMPLATE_DATE	DATE	External template date
ITEM_NO	VARCHAR2	Item number
NO_OF_UNITS	NUMBER	Number of units
PLAN_VS_ACTUAL	VARCHAR2	Planned verses actual
REF_NO	VARCHAR2	Reference number
SITE	VARCHAR2	Site
SUPPLIER_NO	VARCHAR2	Supplier number
TRANSACTION_TYPE	VARCHAR2	Transaction type

**PPM\_PRD\_UNIT\_SHIP\_F**

Product Units Shipped Fact Table.

Column	Type	Comments
CUSTOMER_WID	NUMBER	Customer WID
ERP_ITEM_NO	VARCHAR2	ERP item number
EXT_TEMPLATE_DATE	NUMBER	External template date
ITEM_CATEGORY_WID	NUMBER	Item category WID
ITEM_COMMODITY_WID	NUMBER	Item commodity WID
ITEM_PART_FAMILY_WID	NUMBER	Item part family WID
ITEM_SIZE_WID	NUMBER	Item size WID
ITEM_TYPE_WID	NUMBER	Item type WID
ITEM_WID	NUMBER	Item WID
NO_OF_UNITS	NUMBER	Number of units
PLAN_VS_ACTUAL	VARCHAR2	Planned verses actual
REF_NO	VARCHAR2	Reference number
SITE_WID	NUMBER	Site WID
SUPPLIER_WID	NUMBER	Supplier WID
TRANSACTION_TYPE	VARCHAR2	Transaction type

**PPM\_PRD\_UNIT\_SHIP\_TMP**

Product Units Shipped Temporary Table.

Column	Type	Comments
CUSTOMER_NO	VARCHAR2	Customer number
ERP_ITEM_NO	VARCHAR2	ERP item number
EXT_TEMPLATE_DATE	DATE	External template date
ITEM_NO	VARCHAR2	Item number
NO_OF_UNITS	NUMBER	Number of units
PLAN_VS_ACTUAL	VARCHAR2	Planned verses actual
REF_NO	VARCHAR2	Reference number
SITE	VARCHAR2	Site
SUPPLIER_NO	VARCHAR2	Supplier number
TRANSACTION_TYPE	VARCHAR2	Transaction type

**PPM\_PRJ\_COST\_F**

Project Costs Fact Table. Stores detailed data to support Project Cost Analysis.

Column	Type	Comments
DATASOURCE_NUM_ID	NUMBER	Datasource number ID
ETL_PROC_WID	NUMBER	ETL process ID
EXT_DOC_REF_NO	NUMBER	External document reference number
EXT_TEMPLATE_DATE	NUMBER	External template date
INTEGRATION_ID	VARCHAR2	Integration ID
PLAN_VS_ACTUAL	VARCHAR2	Planned verses actual
PRJ_ACT_END_DATE	NUMBER	Project actual end date
PRJ_ACT_START_DATE	NUMBER	Project actual start date
PRJ_COST_INC_DATE	NUMBER	Project cost incorporated date
PRJ_SCH_END_DATE	NUMBER	Project scheduled end date
PRJ_SCH_START_DATE	NUMBER	Project scheduled start date
PRJ_TOTAL_ACT_COST	NUMBER	Project total actual cost
PROJECT_OWNER_WID	NUMBER	Project owner ID
PROJECT_WID	NUMBER	Project ID
REF_NO	VARCHAR2	Reference number
ROW_WID	NUMBER	Row WID
TRANSACTION_TYPE	VARCHAR2	Transaction type

**PPM\_PRJ\_COST\_TMP**

Project Costs Temporary Table.

Column	Type	Comments
AMOUNT	NUMBER	Amount
EXT_DOC_REF_NO	VARCHAR2	External document reference number
EXT_TEMPLATE_DATE	DATE	External template date
PLAN_VS_ACTUAL	VARCHAR2	Planned verses actual
PRJ_COST_INC_DATE	VARCHAR2	Project cost incorporated date
PRJ_TOTAL_ACT_COST	NUMBER	Project total actual cost
PROJECT_NO	VARCHAR2	Project number
REF_NO	VARCHAR2	Reference number
TRANSACTION_TYPE	VARCHAR2	Transaction type

**PPM\_PRJ\_DET\_SIGNOFF\_F**

Project Detail Signoff Fact Table. An activity or a gate with signoffs on each of them is the grain.

Column	Type	Comments
ACTIVITY_ACT_END_DATE	NUMBER	Activity actual end date. The format is YYYYMMDD.
ACTIVITY_ACT_START_DATE	NUMBER	Activity actual start date. The format is YYYYMMDD.
ACTIVITY_SCH_END_DATE	NUMBER	Activity scheduled end date. The format is YYYYMMDD.
ACTIVITY_SCH_START_DATE	NUMBER	Activity scheduled start date. The format is YYYYMMDD.
ACTIVITY_WID	NUMBER	Activity WID
ACTIVITY_WKFLW_WID	NUMBER	Activity workflow WID
COMPLETE_FLG	NUMBER	Complete flag
DATASOURCE_NUM_ID	NUMBER	Datasource number ID
DELETE_FLG	NUMBER	Delete flag
FUNC_AREA_WID	NUMBER	Functional area of the step signatory
GATE_ACT_DATE	NUMBER	Gate actual date. The format is YYYYMMDD.
GATE_SCH_DATE	NUMBER	Gate scheduled date. The format is YYYYMMDD.
GATE_WID	NUMBER	Gate WID
INTEGRATION_ID	VARCHAR2	Integration ID
LAST_MODIFIED_DATE	DATE	Last modified date
PHASE_WID	NUMBER	Phase WID
PRJ_ACT_END_DATE	NUMBER	Project actual end date. The format is YYYYMMDD.
PRJ_ACT_LUANCH_DATE	NUMBER	Project actual luanch date. The format is YYYYMMDD.
PRJ_ACT_START_DATE	NUMBER	Project actual start date. The format is YYYYMMDD.
PRJ_SCH_END_DATE	NUMBER	Project scheduled end date. The format is YYYYMMDD.
PRJ_SCH_LAUNCH_DATE	NUMBER	Project scheduled launch date. The format is YYYYMMDD.
PRJ_SCH_START_DATE	NUMBER	Project scheduled start date. The format is YYYYMMDD.
PROJECT_WID	NUMBER	Project WID
ROW_WID	NUMBER	Row WID
SKIP_FLG	NUMBER	Skip flag
STEP_ACT_END_DATE	NUMBER	Step actual end date. The format is YYYYMMDD.
STEP_ACT_START_DATE	NUMBER	Step actual start date. The format is YYYYMMDD.
STEP_EXP_END_DATE	NUMBER	Step expected end date (start + days to red) date. The format is YYYYMMDD.
TRADE_SPEC_WID	NUMBER	Trade specification WID
USER_WID	NUMBER	Step signatory WID
WKFLW_STEP_DAYS_ELAPSED	NUMBER	Workflow step days elapsed for signature cycle time (in process sign off cycle time)
WKFLW_STEP_SIGN_CYCLE_TIME	NUMBER	Workflow step sign off cycle time (sign off cycle time)

**PPM\_PRJ\_DET\_WKFLW\_F**

Project Details Workflow Fact Table. An activity or gate with workflow and steps is the grain.

Column	Type	Comments
ACTIVITY_ACT_END_DATE	NUMBER	Activity actual end date. The format is YYYYMMDD.
ACTIVITY_ACT_START_DATE	NUMBER	Activity actual start date. The format is YYYYMMDD.
ACTIVITY_SCH_END_DATE	NUMBER	Activity scheduled end date. The format is YYYYMMDD.
ACTIVITY_SCH_START_DATE	NUMBER	Activity scheduled start date. The format is YYYYMMDD.
ACTIVITY_WID	NUMBER	Activity WID
ACTIVITY_WKFLW_WID	NUMBER	Activity workflow WID
ACT_WKFLW_STEP_ENTRY_DATE	NUMBER	Activity workflow status step entry date. The format is YYYYMMDD.
ACT_WKFLW_STEP_EXIT_DATE	NUMBER	Activity workflow status step exit date. The format is YYYYMMDD.
COMPLETE_FLG	NUMBER	Complete flag
DATASOURCE_NUM_ID	NUMBER	Datasource number ID
DELETE_FLG	NUMBER	Delete flag
GATE_ACT_DATE	NUMBER	Gate actual date. The format is YYYYMMDD.
GATE_SCH_DATE	NUMBER	Gate scheduled date. The format is YYYYMMDD.
GATE_WID	NUMBER	Gate WID
INTEGRATION_ID	VARCHAR2	Integration ID
LAST_MODIFIED_DATE	DATE	Last modified date
PHASE_WID	NUMBER	Phase WID
PRJ_ACT_END_DATE	NUMBER	Project actual end date. The format is YYYYMMDD.
PRJ_ACT_LUANCH_DATE	NUMBER	Project actual luanch date. The format is YYYYMMDD.
PRJ_ACT_START_DATE	NUMBER	Project actual start date. The format is YYYYMMDD.
PRJ_SCH_END_DATE	NUMBER	Project scheduled end date. The format is YYYYMMDD.
PRJ_SCH_LAUNCH_DATE	NUMBER	Project scheduled launch date. The format is YYYYMMDD.
PRJ_SCH_START_DATE	NUMBER	Project scheduled start date. The format is YYYYMMDD.
PROJECT_WID	NUMBER	Project WID
ROW_WID	NUMBER	Row WID
SKIP_FLG	NUMBER	Skip flag
SLA_AMBER	NUMBER	The amber value from an activity template. The value represents the number of days a project may reside in a step before the RAG indicator turns amber. This metric considers initiated activities only.
SLA_RED	NUMBER	The red value from an activity template. The value represents the number of days a project may reside in a step before the RAG indicator turns red. This metric considers initiated activities only.
STEP_EXP_END_DATE	NUMBER	Step expected end date (start + days to red) date. The format is YYYYMMDD.
TRADE_SPEC_WID	NUMBER	Trade specification WID
WKFLW_STEP_DUR_DAYS_RED	NUMBER	The red value from an activity template. The value represents the number of days a project may reside in a step before the RAG indicator turns red.

**PPM\_PRJ\_FORE\_REV\_F**

Project Forecast Revenue Fact Table. Stores detailed data to support Project Forecast Revenue Analysis.

Column	Type	Comments
DATASOURCE_NUM_ID	NUMBER	Datasource number ID
ETL_PROC_WID	NUMBER	ETL process ID
EXT_TEMPLATE_DATE	NUMBER	External template date
INTEGRATION_ID	VARCHAR2	Integration ID
OFFSET	NUMBER	Offset
PLAN_VS_ACTUAL	VARCHAR2	Planned verses actual
PRJ_ACT_END_DATE	NUMBER	Project actual end date
PRJ_ACT_START_DATE	NUMBER	Project actual start date
PRJ_FORECAST_REVENUE	NUMBER	Project forecast revenue
PRJ_SCH_END_DATE	NUMBER	Project scheduled end date
PRJ_SCH_START_DATE	NUMBER	Project scheduled start date
PROJECT_OWNER_WID	NUMBER	Project owner ID
PROJECT_WID	NUMBER	Project ID
REF_NO	VARCHAR2	Reference number
ROW_WID	NUMBER	Row WID
TRANSACTION_TYPE	VARCHAR2	Transaction type

**PPM\_PRJ\_FORE\_REV\_TMP**

Project Forecast Revenue Temporary Table.

Column	Type	Comments
AMOUNT	NUMBER	Amount
EXT_TEMPLATE_DATE	DATE	External template date
PLAN_VS_ACTUAL	VARCHAR2	Planned verses actual
PRJ_FORECAST_REVENUE0	NUMBER	Project forecast revenue
PRJ_FORECAST_REVENUE1	NUMBER	Project forecast revenue
PRJ_FORECAST_REVENUE2	NUMBER	Project forecast revenue
PRJ_FORECAST_REVENUE3	NUMBER	Project forecast revenue
PRJ_FORECAST_REVENUE4	NUMBER	Project forecast revenue
PRJ_FORECAST_REVENUE5	NUMBER	Project forecast revenue
PROJECT_NO	VARCHAR2	Project number
REF_NO	VARCHAR2	Reference number
TRANSACTION_TYPE	VARCHAR2	Transaction type

**PPM\_PRJ\_PH\_MET\_FLG**

Project Phase Met Flag Table.

Column	Type	Comments
ACTIVITY_WID	NUMBER	
MET_CHG_END_COND_FLG	NUMBER	
MET_ITEM_END_COND_FLG	NUMBER	
MET_PSR_END_COND_FLG	NUMBER	
MET_QCR_END_COND_FLG	NUMBER	

**PPM\_PRJ\_SUM\_F**

Project Summary Fact Table. The grain is a project, a phase and a gate. Project summary is the summary of all projects which are derived as per the configuration business rules.

Column	Type	Comments
ACTIVE_GATE_FLG	NUMBER	Active gate flag
ACTIVE_PH_FLG	NUMBER	Active phase flag
ACTIVITY_WID	NUMBER	Activity ID
ACT_CAPITAL_COST	NUMBER	Actual Capital cost
ACT_CAPITAL_COST_VAR_PCT	NUMBER	Actual capital cost variance %
ACT_DUR_MAX_DAYS	NUMBER	Returns maximum duration in a set of Projects
ACT_DUR_MIN_DAYS	NUMBER	Returns minimum duration in a set of Projects
ACT_DUR_VAR_PCT	NUMBER	Actual Duration variance %
ACT_FLEX_COST	NUMBER	Actual Flex cost
ACT_FLEX_COST_VAR_PCT	NUMBER	Actual flex cost variance %
ACT_LABOR_COST	NUMBER	Actual Labor cost
ACT_LABOR_COST_VAR_PCT	NUMBER	Actual labor cost variance %
ACT_TOTAL_COST_VAR_PCT	NUMBER	Actual total cost variance %
ACT_TTM_DAYS	NUMBER	Actual TTM days
ACT_TTM_DAYS_LAUNCH_DATE	NUMBER	Actual Time to Market based on launch date
ANNUAL_CASE_VOL	NUMBER	Annualized case volume
BGT_CAPITAL_COST	NUMBER	Budgeted Capital cost
BGT_FLEX_COST	NUMBER	Budgeted Flex cost
BGT_LABOR_COST	NUMBER	Budgeted Labor cost
CHG_DEL_FLG	NUMBER	Change Deliverable Flag
CLASS_WID	NUMBER	Class ID
CLOSED_PH_FLG	NUMBER	Closed Phase flag
CORE_VS_CONTEXT	NUMBER	New Project evaluation - customers may enter scores between 1 and 10
CREATE_DATE	NUMBER	Create date
CUR_GATE_FLG	NUMBER	Current gate flag
CUR_PH_FLG	NUMBER	Current phase flag
DATASOURCE_NUM_ID	NUMBER	Datasource number ID
DELAYED_START_TASK_FLG	NUMBER	Delayed start task flag
EFF_WD_EFF_VAR_PCT	NUMBER	(Expected work days- Actual work days/Expected work days)*100 where Expected work days = Project Scheduled work days Effort * Percent complete
EST_CAPITAL_COST_TO_COMP	NUMBER	Estimated Capital cost to complete
EST_CAPITAL_COST_VAR_PCT	NUMBER	Estimated capital cost variance %
EST_DUR_VAR_PCT	NUMBER	Estimated Duration variance %
EST_FLEX_COST_TO_COMP	NUMBER	Estimated Flex cost to complete
EST_FLEX_COST_VAR_PCT	NUMBER	Estimated Flex cost variance %
EST_LABOR_COST_TO_COMP	NUMBER	Estimated Labor cost to complete
EST_LABOR_COST_VAR_PCT	NUMBER	Estimated labor cost variance %
EST_TOTAL_COST_VAR_PCT	NUMBER	Estimated total cost variance %
ETL_PROC_WID	NUMBER	ETL process ID
EXP_COMMERCIAL_VALUE	NUMBER	Expected commercial value
EXP_EFF_WD	NUMBER	Project Scheduled work days Effort * Percent complete

EXP_WD_EFF_VAR	NUMBER	Expected work days- Actual work days
GATE_ACT_END_DATE	NUMBER	Gate actual end date
GATE_OWNER_WID	NUMBER	Gate owner ID
GATE_SCH_END_DATE	NUMBER	Gate scheduled end date
GATE_WID	NUMBER	Gate ID
HAS_MUL_ACTIVE_GATES_FLG	NUMBER	Has multiple active gates flag
HAS_MUL_ACTIVE_PHASES_FLG	NUMBER	Has multiple active phases flag
INITIATED_FLG	NUMBER	Initiated flag
INTEGRATION_ID	VARCHAR2	Integration ID
ITEM_DEL_FLG	NUMBER	Item Deliverable Flag
LAST_MODIFIED_DATE	DATE	Last modified date
LAUNCH_DATE_VARIANCE_DAYS	NUMBER	Launch date variance days
MET_CHG_END_COND_FLG	NUMBER	Met Change end condition flag
MET_ITEM_END_COND_FLG	NUMBER	Met Item end condition flag
MET_PSR_END_COND_FLG	NUMBER	Met PSR end condition flag
MET_QCR_END_COND_FLG	NUMBER	Met QCR end condition flag
NO_CHG_DEL_PRJ	NUMBER	Count of deliverables associated at all levels under this Project. Changes include Change Orders, Manufacturer Change Orders, Change requests, Stop ships, Deviations and Site Change Orders.
NO_CMPL_PH	NUMBER	Count of phases in a project that are complete. Count of completed stages. Most likely derived from workflow values.
NO_COMP_CHG_DEL_PRJ	NUMBER	Count of deliverables associated at all levels under this Project that have met the end condition. If there is no end condition specified then it is assumed to be met.
NO_COMP_ITEM_DEL_PRJ	NUMBER	Count of deliverables associated at all levels under this Project that have met the end condition. If there is no end condition specified then it is assumed to be met.
NO_COMP_PSR_DEL_PRJ	NUMBER	Count of deliverables associated at all levels under this Project that have met the end condition. If there is no end condition specified then it is assumed to be met.
NO_COMP_QCR_DEL_PRJ	NUMBER	Count of deliverables associated at all levels under this Project that have met the end condition. If there is no end condition specified then it is assumed to be met.
NO_DELAYED_COMP_TASKS	NUMBER	Count of all Tasks of Project that are delayed
NO_DEL_TASKS	NUMBER	Count of all Deliverable tasks in a Project
NO_DEL_TASKS_COMP	NUMBER	Count of all Deliverable Tasks of Project that are complete
NO_DEL_TASKS_OFF_TRACK	NUMBER	Count of all Deliverable tasks in a Project that have schedule status off-track.
NO_INCOMP_DELAYED_START_TASKS	NUMBER	Count of all Tasks of a Project that started late
NO_ITEM_DEL_PRJ	NUMBER	Count of deliverables associated at all levels under this Project. Item includes Parts and Documents.
NO_PH	NUMBER	Count of all phases in a project. Count of all stages. Value could be anywhere from 1 to 5 since customers can start stages in later stages.
NO_PH_ACT	NUMBER	Count of all activities under phase. Count all instances of activities and activity templates yet to be invoked. Remove from the count any instances where the terminal step was marked as unsuccessful completion
NO_PH_ACTIVE_ACT	NUMBER	Number of active activities. Count all instances of activities. Remove from the count any instances where the terminal step was marked as unsuccessful completion

NO_PH_REQ_ACT	NUMBER	Number of required activities. For a given stage, count of activity instances and for instances without an activity instance activity templates that are marked as required on a given project.
NO_PRJ_ACT	NUMBER	Count all instances of activities and activity templates yet to be invoked. remove from the count any instances where the terminal step was marked as unsuccessful completion. Count all instances of activities and activity templates yet to be invoked. Remo
NO_PRJ_ACTIVE_ACT	NUMBER	Number of Active activities on a project
NO_PRJ_REQ_ACT	NUMBER	Number of Required activities on a project
NO_PSR_DEL_PRJ	NUMBER	Count of deliverables associated at all levels under this Project. This includes Problem Reports and Non Conformances.
NO_QCR_DEL_PRJ	NUMBER	Count of deliverables associated at all levels under this Project.
NO_REQ_ACT_CMPL	NUMBER	Number of required phase level activities reached terminal state (completed). Required tasks reaching a terminal state, successful or unsuccessful.
NO_REQ_TERMINAL_ACT	NUMBER	Number of required activities reached terminal state
NO_TASKS	NUMBER	Count of all Tasks of a Project.
NO_TASKS_COMP_LATE_PCT	NUMBER	Percentage of Tasks in a Project that completed late
NO_TASKS_OFF_TRACK	NUMBER	Count of Tasks that have Schedule status of Off-track
NO_TERMINAL_ACT	NUMBER	Number of activities reached terminal state
NO_TERMINAL_ACT_CMPL	NUMBER	Number of phase level activities reached terminal state (completed). Count all instances that reached a terminal state. Remove from the count any instances where the terminal step was marked as unsuccessful completion
NO_UNSUC_TERMINAL_ACT	NUMBER	Number of Activities reached Unsuccessful terminal state on a project
NPV_PRJ	NUMBER	Net Present value of Project
OPENED_GATE_FLG	NUMBER	Opened Gate Flag
OWNER_WID	NUMBER	Owner ID
PAY_BACK_PERIOD	NUMBER	New Project evaluation field. Pay back period expressed in months or years.
PCT_REQ_TERMINAL_ACT	NUMBER	Percentage of required activities reached terminal state
PCT_REQ_TERMINAL_ACT_CMPL	NUMBER	Percentage required phase level activities reached terminal state (completed). Percentage of required tasks reaching a terminal state, successful or unsuccessful, compared to all required tasks.
PCT_TERMINAL_ACT	NUMBER	Percentage of all Activities reached terminal state
PCT_TERMINAL_ACTIVE_ACT	NUMBER	Percentage of active Activities reached terminal state
PCT_TERMINAL_ACTIVE_ACT_CMPL	NUMBER	Percentage of phase level active activities that reached terminal state (completed). (Count all instances that reached a terminal state.Remove from the count any instances where the terminal step was marked as unsuccessful completion)*100/(Count all insta
PCT_TERMINAL_ACT_CMPL	NUMBER	Percentage of all phase level activities that reached terminal state (completed). (Count all instances that reached a terminal state.Remove from the count any instances where the terminal step was marked as unsuccessful completion)*100/Count all instances
PHASE_OWNER_WID	NUMBER	Phase owner ID
PHASE_WID	NUMBER	Phase ID
PH_ACT_CAPITAL_COST	NUMBER	Phase Actual Capital cost
PH_ACT_CAPITAL_COST_VAR_PCT	NUMBER	Phase Actual capital cost variance %
PH_ACT_DUR_DAYS	NUMBER	Average Phase actual duration days
PH_ACT_DUR_VAR_PCT	NUMBER	Average Phase actual duration variance %
PH_ACT_END_DATE	NUMBER	Phase Actual End Date
PH_ACT_END_VAR_DAYS	NUMBER	Phase Actual End Variance Days

PH_ACT_FLEX_COST	NUMBER	Phase Actual Flex cost
PH_ACT_FLEX_COST_VAR_PCT	NUMBER	Phase Actual flex cost variance %
PH_ACT_LABOR_COST	NUMBER	Phase Actual Labor cost
PH_ACT_LABOR_COST_VAR_PCT	NUMBER	Phase Actual labor cost variance %
PH_ACT_OVER_BUDGET_FLG	NUMBER	Phase actual overall budget flag
PH_ACT_OVER_EFF_FLG	NUMBER	Phases actual overall effort flag
PH_ACT_OVER_SCH_FLG	NUMBER	Phase actual overall schedule flag
PH_ACT_START_DATE	NUMBER	Phase Actual Start Date
PH_ACT_START_VAR_DAYS	NUMBER	Phase Actual Start Variance Days
PH_ACT_TOTAL_COST	NUMBER	Phase Actual Total cost
PH_ACT_TOTAL_COST_VAR_PCT	NUMBER	Phase Actual total cost variance %
PH_ASGMT_END_DATE	NUMBER	Phase assignment end date
PH_ASGMT_START_DATE	NUMBER	Phase assignment start date
PH_BGT_CAPITAL_COST	NUMBER	Phase Budgeted Capital cost
PH_BGT_FLEX_COST	NUMBER	Phase Budgeted Flex cost
PH_BGT_LABOR_COST	NUMBER	Phase Budgeted Labor cost
PH_BGT_TOTAL_COST	NUMBER	Phase Budgeted Total cost
PH_EFF_WD_VAR	NUMBER	Phase Effort work days variance
PH_EFF_WD_VAR_PCT	NUMBER	Effort work days variance %
PH_EST_CAPITAL_COST_TO_COMP	NUMBER	Phase Estimated Capital cost to complete
PH_EST_CAPITAL_COST_VAR_PCT	NUMBER	Phase Estimated capital cost variance %
PH_EST_DUR	NUMBER	Average Phase estimated duration
PH_EST_DUR_VAR_PCT	NUMBER	Average Phase estimated duration variance %
PH_EST_END_VAR_DAYS	NUMBER	Phase Estimated End Variance Days
PH_EST_FLEX_COST_TO_COMP	NUMBER	Phase Estimated Flex cost to complete
PH_EST_FLEX_COST_VAR_PCT	NUMBER	Phase Estimated Flex cost variance %
PH_EST_LABOR_COST_TO_COMP	NUMBER	Phase Estimated Labor cost to complete
PH_EST_LABOR_COST_VAR_PCT	NUMBER	Phase Estimated labor cost variance %
PH_EST_OVER_BUDGET_FLG	NUMBER	Phase estimated overall budget flag
PH_EST_OVER_EFF_FLG	NUMBER	Phase estimated overall Effort flag
PH_EST_OVER_SCH_FLG	NUMBER	Phase estimated overall Schedule flag
PH_EST_START_DATE	NUMBER	Phase Estimated Start Date
PH_EST_START_VAR_DAYS	NUMBER	Phase Estimated Start Variance Days
PH_EST_TOTAL_COST_TO_COMP	NUMBER	Phase Estimated Total cost to complete
PH_EST_TOTAL_COST_VAR_PCT	NUMBER	Phase Estimated total cost variance %
PH_EXP_EFF_WD	NUMBER	Phase Expected effort work days
PH_NO_COMP_TASKS	NUMBER	Number of complete phase tasks
PH_NO_DELAYED_COMP_TASKS	NUMBER	Count of all Tasks of Phase that are delayed
PH_NO_DELAYED_START_TASKS	NUMBER	Count of all Tasks of a Phase that started late
PH_NO_DEL_TASKS	NUMBER	Count of all Deliverable tasks in a Phase
PH_NO_DEL_TASKS_COMP	NUMBER	Count of all Tasks of Phase that are complete
PH_NO_DEL_TASKS_OFF_TRACK	NUMBER	Count of all Deliverable tasks in a Phase that have schedule status off-track.
PH_NO_OFFTRACK_INCOMP_TASKS	NUMBER	Number of off-track and in-complete phase tasks
PH_NO_TASKS	NUMBER	Count of all Tasks under Phase
PH_NO_TASKS_COMP_LATE_PCT	NUMBER	Percentage of Tasks in a Phase that completed late
PH_NO_TASKS_OFF_TRACK	NUMBER	Count of all Tasks under Phase that are off-track

PH_PCT_COMP	NUMBER	Phase percent complete
PH_SCH_DUR_DAYS	NUMBER	Average Phase schedule duration days
PH_SCH_END_DATE	NUMBER	Phase Scheduled end date
PH_SCH_START_DATE	NUMBER	Phase Scheduled start date
PH_STAGE_ACT_END_DATE	NUMBER	Stage actual end date. The format is YYYYMMDD.
PH_STAGE_ACT_START_DATE	NUMBER	Stage actual start date. The format is YYYYMMDD.
PH_STAGE_PLAN_END_DATE	NUMBER	Stage planned end date. The format is YYYYMMDD.
PH_STAGE_PLAN_START_DATE	NUMBER	Phase stage planned start date
PH_TPL_DUR	NUMBER	Phase Template duration
PPM_PHASE_WORKFLOW_ID	NUMBER	Phase workflow ID
PPM_PROJECT_WORKFLOW_ID	NUMBER	Project workflow ID
PRJ_ACT_DUR_DAYS	NUMBER	Project actual duration
PRJ_ACT_END_DATE	NUMBER	Project Actual End Date
PRJ_ACT_END_VAR_DAYS	NUMBER	Project Actual End Variance Days
PRJ_ACT_LAUNCH_DATE	NUMBER	Project Actual launch date
PRJ_ACT_OVER_BUDGET_FLG	NUMBER	Project Actual overall budget flag
PRJ_ACT_OVER_EFF_FLG	NUMBER	Project Actual Overall effort flag
PRJ_ACT_OVER_SCH_FLG	NUMBER	Project Actual OverallSchedule flag
PRJ_ACT_REV	NUMBER	Project Actual Revenue
PRJ_ACT_START_DATE	NUMBER	Project Actual Start Date
PRJ_ACT_START_VAR_DAYS	NUMBER	Project Actual Start Variance Days
PRJ_ACT_TOTAL_COST_TPL	NUMBER	Daily project costs captured by project. data source is excel template. Daily Project costs captured by Project.Data source is Excel Template
PRJ_ACT_TTM_DUR_LAST_YR	NUMBER	Actual time to market duration days of projects completed last year. AVG(In-Market Actual Start Date - Initial Stage Actual Start Date) last year
PRJ_ACT_TTM_DUR_THIS_YR	NUMBER	Actual time to market duration days of projects completed this year. AVG(In-Market Actual Start Date - Initial Stage Actual Start Date) this year
PRJ_AVG_PH_DAYS_BEHIND	NUMBER	Project avg Phase days behind
PRJ_BGT_TOTAL_COST	NUMBER	Project Budgeted Total cost
PRJ_DAYS_FROM_ACT_START_DATE	NUMBER	Number of days elapsed since Actual start date of the Project
PRJ_EST_DUR_DAYS	NUMBER	Project Estimated duration
PRJ_EST_END_DATE	NUMBER	Project Estimated End Date
PRJ_EST_END_VAR_DAYS	NUMBER	Project Estimated End Variance Days
PRJ_EST_OVER_BUDGET_FLG	NUMBER	Project estimated overall Budget flag
PRJ_EST_OVER_EFF_FLG	NUMBER	Project estimated overall effort flag
PRJ_EST_OVER_SCH_FLG	NUMBER	Project estimated overall schedule flag
PRJ_EST_START_DATE	NUMBER	Project Estimated Start Date
PRJ_EST_START_VAR_DAYS	NUMBER	Project Estimated Start Variance Days
PRJ_EST_TOTAL_COST_TO_COMP	NUMBER	Project Estimated Total cost to complete
PRJ_GATE_KEEP_CUR_PH	NUMBER	Number of Gate keepers assigned on current Phase
PRJ_INI_STAGE_ACT_START_DATE	NUMBER	Project initial stage actual start date
PRJ_INI_STAGE_SCH_START_DATE	NUMBER	Project initial stage scheduled start date
PRJ_IN_MARKET_ACT_DATE	NUMBER	Project in market actual date
PRJ_IN_MARKET_PLAN_DATE	NUMBER	Project in market planned date
PRJ_NO_BOM_ITEM_FORM	NUMBER	Number of BOM Items in Formulas associated with Project
PRJ_NO_BOM_MENU_ITEM	NUMBER	Number of BOM Items in Menu Items associated with Project
PRJ_NO_BOM_TRADE_SPEC	NUMBER	Number of BOM Items in Trade specifications associated with Project

PRJ_NO_COMP_TASKS	NUMBER	Number of complete project tasks
PRJ_NO_FORMULA	NUMBER	Number of Formulas in Project
PRJ_NO_FUNC_AREA_ACTIVE_ACT	NUMBER	Number of Functional Areas assigned on active activities
PRJ_NO_FUNC_AREA_ACTIVE_PH	NUMBER	Number of Functional Areas assigned on active Phases
PRJ_NO_INGREDIENT	NUMBER	Number of Ingredients in Project
PRJ_NO_MENU_ITEM	NUMBER	Number of Menu Item in Project
PRJ_NO_NUTRIENT_PROFILE	NUMBER	Number of Nutrient Profile in Project
PRJ_NO_OFFTRACK_INCOMP_TASKS	NUMBER	Number of off-track and in-complete project tasks
PRJ_NO_PACKAGING	NUMBER	Number of Packaging in Project
PRJ_NO_PRINT_PACK	NUMBER	Number of Printed Packaging in Project
PRJ_NO_PRODUCT	NUMBER	Number of Product in Project
PRJ_NO_REVIEW_ACTIVE_ACT	NUMBER	Number of Reviewers assigned on active activities
PRJ_NO_TEAM_MEM_ACTIVE_PH	NUMBER	Number of Team Members assigned on active Phase
PRJ_NO_TRADE_SPEC	NUMBER	Number of Trade specifications in Project
PRJ_PCT_COMP	NUMBER	Project percent complete
PRJ_SCH_DUR_DAYS	NUMBER	Project Schedule duration
PRJ_SCH_END_DATE	NUMBER	Project scheduled end date
PRJ_SCH_LAUNCH_DATE	NUMBER	Project scheduled launch date
PRJ_SCH_START_DATE	NUMBER	Project scheduled start date
PRJ_TOTAL_ACT_COST	NUMBER	Project Total Actual cost
PROB_COMMERCIAL_SUCCESS	NUMBER	New Project evaluation - customers may enter scores between 1 and 10
PROB_TECHNICAL_SUCCESS	NUMBER	New Project evaluation - customers may enter scores between 1 and 10
PROJECT_ORDER	NUMBER	Project order
PROJECT_OWNER_WID	NUMBER	Project owner ID
PROJECT_WID	NUMBER	Project ID
PSR_DEL_FLG	NUMBER	PSR Deliverable Flag
QCR_DEL_FLG	NUMBER	QCR Deliverable Flag
ROW_WID	NUMBER	Row ID
SCH_DUR	NUMBER	Average schedule duration
SCH_PRJ_DUR_DAYS	NUMBER	Scheduled Project duration days
SCH_PRJ_TPL_DUR_DAYS	NUMBER	Scheduled project template duration days
SCH_TTM_DAYS	NUMBER	Scheduled TTM days
SCH_TTM_DAYS_LAUNCH_DATE	NUMBER	Scheduled Time to Market based on launch date
SKIP_FLG	NUMBER	Skip flag
SOFT_DELETE_FLG	NUMBER	Soft delete flag
STRATEGIC_FIT	NUMBER	New Project evaluation - customers may enter scores between 1 and 10
SUBCLASS_WID	NUMBER	Subclass ID
TECH_FEASIBILITY	NUMBER	New Project evaluation - customers may enter scores between 1 and 10
TEMPLATE_PRJ_SCH_END_DATE	NUMBER	Template Project Scheduled end date
TEMPLATE_PRJ_SCH_START_DATE	NUMBER	Template Project scheduled start date
TEMPLATE_SCH_LAUNCH_DATE	NUMBER	Template scheduled launch date
TEMPLATE_SCH_TTM_DAYS	NUMBER	Template Time to Market based on launch date
THREE_YR_NPV	NUMBER	3 year NPV (no basis, no phase, no year)
TPL_FLG	NUMBER	Template flag
TPL_SCH_TTM_DAYS	NUMBER	Template Scheduled TTM days
TRADE_SPEC_WID	NUMBER	Trade specification WID
UPDATE_DATE	NUMBER	Update date



***PPM\_PRODUCT\_LINE\_B***

Product Line Bridge Table. Maintains many to many relationships between product line Multilist data and projects.

<b>Column</b>	<b>Type</b>	<b>Comments</b>
ACTIVITY_WID	NUMBER	Activity ID
DATASOURCE_NUM_ID	NUMBER	Datasource number ID
INTEGRATION_ID	VARCHAR2	Integration ID
PRODUCT_LINE_WID	NUMBER	Product line ID
ROW_WID	NUMBER	Row ID

**PPM\_PRODUCT\_LINE\_D**

Product Line Dimension Table. Stores resolved dimension attributes data for product line data.

Column	Type	Comments
DATASOURCE_NUM_ID	NUMBER	Datasource number ID
ENABLE	NUMBER	Enable
INTEGRATION_ID	VARCHAR2	Integration ID
LAST_MODIFIED_DATE	DATE	Last modified date
LIST_ID	NUMBER	List ID
NAME	VARCHAR2	Name
PRODUCT_LINE_WID	NUMBER	Product line ID
ROW_WID	NUMBER	Row ID

**PPM\_PROGRAM\_D**

Program Dimension Table. Stores resolved dimension attributes data for Program activities.

Column	Type	Comments
ARCHIVED_FLG	NUMBER	Archived flag
CAPITAL_COST_ACT_FLG	NUMBER	Capital cost actual flag
CAPITAL_COST_BGT_FLG	NUMBER	Capital cost budgeted flag
CAPITAL_COST_EAC_FLG	NUMBER	Capital cost calculated EAC flag
CONTROLLED_FLG	NUMBER	Controlled flag
COST_STATUS	VARCHAR2	Cost status
COST_STATUS_REASON	VARCHAR2	Cost status reason
CREATED_FROM_TEMPLATE	VARCHAR2	Created from template
CRITICAL	VARCHAR2	Critical
DATASOURCE_NUM_ID	NUMBER	Datasource number ID
DELEGATED_OWNER	VARCHAR2	Delegated owner
DESCRIPTION	VARCHAR2	Description
DOMAIN_VALUE	NUMBER	Domain value bucket based on the configuration rules. 1. Portfolio, 2. Program, 3. Project, 4. Phase, 5. Task, 6. Decision Gate, 7. Gate.
DURATION_TYPE	VARCHAR2	Duration type
ETL_PROC_WID	NUMBER	ETL process ID
FIXED_COST_ACT_FLG	NUMBER	Fixed cost actual flag
FIXED_COST_BGT_FLG	NUMBER	Fixed cost budgeted flag
FIXED_COST_EAC_FLG	NUMBER	Fixed cost calculated EAC flag
FLEX_COST_ACT_FLG	NUMBER	Flex cost actual flag
FLEX_COST_BGT_FLG	NUMBER	Flex cost budgeted flag
FLEX_COST_EAC_FLG	NUMBER	Flex cost calculated EAC flag
GLOBAL	VARCHAR2	Global
INTEGRATION_ID	VARCHAR2	Integration ID
IS_TEMPLATE_FLG	NUMBER	Is template flag: will be 1 if the project state is Template, else 0.
LOCKED_FROM_PROGRAM	VARCHAR2	Locked from program
LOCK_STATUS	VARCHAR2	Lock status
LOCK_USER	VARCHAR2	Lock user
NAME	VARCHAR2	Name
OVERALL_STATUS	VARCHAR2	Overall status
PRG_ACT_END_DATE	NUMBER	Program actual end date
PRG_ACT_START_DATE	NUMBER	Program actual start date
PRG_EST_END_DATE	NUMBER	Program estimated end date
PRG_EST_START_DATE	NUMBER	Program estimated start date
PRG_SCH_END_DATE	NUMBER	Program scheduled end date
PRG_SCH_START_DATE	NUMBER	Program scheduled start date
PROGRAM_NO	VARCHAR2	Program number
PROGRAM_WID	NUMBER	Program ID
PROJECT_STATE	VARCHAR2	Project state
QUALITY_STATUS	VARCHAR2	Quality status
QUALITY_STATUS_REASON	VARCHAR2	Quality status reason
RESOURCE_STATUS	VARCHAR2	Resource status
RESOURCE_STATUS_REASON	VARCHAR2	Resource status reason

---

RESOURCE_TYPE	VARCHAR2	Resource type
ROLLUP_HEALTH_STATUS	VARCHAR2	Rollup health status
ROW_WID	NUMBER	Row ID
SCHEDULE_EDITOR	VARCHAR2	Schedule editor
SCHEDULE_STATUS	VARCHAR2	Schedule status
SCHEDULE_STATUS_REASON	VARCHAR2	Schedule status reason
STATUS	VARCHAR2	Status
STATUS_TYPE	VARCHAR2	Status type
TYPE	VARCHAR2	Type
WORKFLOW	VARCHAR2	Workflow

**PPM\_PROGRAM\_F**

Program Fact Table. Stores program summary which is the analysis of the program measures derived from the PLM reference number.

Column	Type	Comments
CLASS_WID	NUMBER	Class ID
CREATE_DATE	NUMBER	Create date
DATASOURCE_NUM_ID	NUMBER	Datasource number ID
ETL_PROC_WID	NUMBER	ETL process ID
INTEGRATION_ID	VARCHAR2	Integration ID
LAST_MODIFIED_DATE	DATE	Last modified date
OWNER_WID	NUMBER	Owner ID
PRG_ACT_END_DATE	NUMBER	Program Actual End Date
PRG_ACT_START_DATE	NUMBER	Program Actual Start Date
PRG_ACT_TOTAL_COST	NUMBER	Program Actual Total cost
PRG_BGT_TOTAL_COST	NUMBER	Program Budgeted Total cost
PRG_END_DATE_VAR_DAYS	NUMBER	Variance between last of the schedule end dates of all Projects under Program and Schedule end date of Program
PRG_EST_COST_VAR	NUMBER	Program estimated cost variance
PRG_EST_END_DATE	NUMBER	Program Estimated End Date
PRG_EST_START_DATE	NUMBER	Program Estimated Start Date
PRG_EST_TOTAL_COST_TO_COMP	NUMBER	Program Estimated Total cost to complete
PRG_SCH_END_DATE	NUMBER	Program Schedule End Date
PRG_SCH_START_DATE	NUMBER	Program Schedule Start Date
PROGRAM_NO	VARCHAR2	Program number
PROGRAM_WID	NUMBER	Program ID
ROW_WID	NUMBER	Row ID
SOFT_DELETE_FLG	NUMBER	Soft delete flag
SUBCLASS_WID	NUMBER	Subclass ID
UPDATE_DATE	NUMBER	Update date

**PPM\_PROJECT\_D**

Project Dimension Table. Stores resolved dimension attributes data for Project activities. Does not contain any private templates.

Column	Type	Comments
ACTIVE_PRJ_FLG	NUMBER	Active Project Flag
ARCHIVED_FLG	NUMBER	Archived flag
CAPITAL_COST_ACT_FLG	NUMBER	Capital cost actual flag
CAPITAL_COST_BGT_FLG	NUMBER	Capital cost budgeted flag
CAPITAL_COST_EAC_FLG	NUMBER	Capital cost calculated EAC flag
CMPL_LATE_SCH_VAR_11_20_FLG	NUMBER	This field is 1 if the Project plan variance is in 11-20% range. Plan variance % = ( Actual duration - Plan duration)*100/Plan duration.
CMPL_LATE_SCH_VAR_1_10_FLG	NUMBER	This field is 1 if the Project plan variance is in 1-10% range. Plan variance % = ( Actual duration - Plan duration)*100/Plan duration.
CMPL_LATE_SCH_VAR_GT_20_FLG	NUMBER	This field is 1 if the Project plan variance is >20 % range. Plan variance % = ( Actual duration - Plan duration)*100/Plan duration.
COMPLETE_FLG	NUMBER	Complete Flag
CONSUMER_VALUE_PERCEPTION	VARCHAR2	Consumer Value Perception
CONTROLLED_FLG	NUMBER	Controlled flag
COST_STATUS	VARCHAR2	Cost status
COST_STATUS_REASON	VARCHAR2	Cost status reason
CREATED_FROM_TEMPLATE	VARCHAR2	Created from template
CRITICAL	VARCHAR2	Critical
CURRENT_STAGE	VARCHAR2	Current Stage
DATASOURCE_NUM_ID	NUMBER	Datasource number ID
DELEGATED_OWNER	VARCHAR2	Delegated owner
DELETE_FLG	NUMBER	Delete flag
DESCRIPTION	VARCHAR2	Description
DOMAIN_VALUE	NUMBER	Domain value bucket based on the configuration rules. 1. Portfolio, 2. Program, 3. Project, 4. Phase, 5. Task, 6. Decision Gate, 7. Gate.
DURATION_TYPE	VARCHAR2	Duration type
ENABLING_TECHNOLOGY	VARCHAR2	Enabling Technology
ETL_PROC_WID	NUMBER	ETL process ID
FIXED_COST_ACT_FLG	NUMBER	Fixed cost actual flag
FIXED_COST_BGT_FLG	NUMBER	Fixed cost budgeted flag
FIXED_COST_EAC_FLG	NUMBER	Fixed cost calculated EAC flag
FLEX_COST_ACT_FLG	NUMBER	Flex cost actual flag
FLEX_COST_BGT_FLG	NUMBER	Flex cost budgeted flag
FLEX_COST_EAC_FLG	NUMBER	Flex cost calculated EAC flag
GLOBAL	VARCHAR2	Global
INTEGRATION_ID	VARCHAR2	Integration ID
IS_TEMPLATE_FLG	NUMBER	Is template flag: will be 1 if the project state is Template, else 0.
LAST_MODIFIED_DATE	DATE	Last modified date
LOCKED_FROM_PROGRAM	VARCHAR2	Locked from program
LOCK_STATUS	VARCHAR2	Lock status
LOCK_USER	VARCHAR2	Lock user
NAME	VARCHAR2	Name

OVERALL_STATUS	VARCHAR2	Overall status
OWNER	VARCHAR2	Project owner name
PRIORITY_INDICATOR	VARCHAR2	Priority Indicator
PRIVATE	VARCHAR2	Private
PRJ_INTERNAL_NUMBER	VARCHAR2	Project Internal Number
PROJECT_NO	VARCHAR2	Project Number
PROJECT_STATE	VARCHAR2	Project state
PROJECT_WID	NUMBER	Project ID
QUALITY_STATUS	VARCHAR2	Quality status
QUALITY_STATUS_REASON	VARCHAR2	Quality status reason
RAG_STATUS	VARCHAR2	Rag status
RESOURCE_FLG	NUMBER	Has resource flag
RESOURCE_STATUS	VARCHAR2	Resource status
RESOURCE_STATUS_REASON	VARCHAR2	Resource status reason
RESOURCE_TYPE	VARCHAR2	Resource type
RISK	VARCHAR2	Risk
ROLLUP_HEALTH_STATUS	VARCHAR2	Rollup health status
ROW_WID	NUMBER	Row ID
SCHEDULE_EDITOR	VARCHAR2	Schedule editor
SCHEDULE_STATUS	VARCHAR2	Schedule status
SCHEDULE_STATUS_REASON	VARCHAR2	Schedule status reason
STATUS	VARCHAR2	Status
STATUS_TYPE	VARCHAR2	Status type
TEMPLATE_DESCRIPTION	VARCHAR2	Template Description
TEMPLATE_NAME	VARCHAR2	Template name. If there is no template then populate UNDEFINED or if its derived from multiple templates then populate MULTIPLE TEMPLATES.
TYPE	VARCHAR2	Type
WORKFLOW	VARCHAR2	Workflow

**PPM\_PROJECT\_PORTFOLIO\_B**

Project Portfolio Bridge Table. Maintains many to many relationships between projects and portfolios.

Column	Type	Comments
DATASOURCE_NUM_ID	NUMBER	Datasource number ID
INTEGRATION_ID	VARCHAR2	Integration ID
PPM_PORTFOLIO_OWNER_WID	NUMBER	Portfolio owner ID
PPM_PORTFOLIO_WID	NUMBER	Portfolio ID
PPM_PROJECT_WID	NUMBER	Project ID
ROW_WID	NUMBER	Row ID

**PPM\_PROJECT\_PROGRAM\_B**

Project Program Bridge Table. Maintains many to many relationships between projects and programs.

Column	Type	Comments
DATASOURCE_NUM_ID	NUMBER	Datasource number ID
INTEGRATION_ID	VARCHAR2	Integration ID
PPM_PROGRAM_OWNER_WID	NUMBER	Program owner ID
PPM_PROGRAM_WID	NUMBER	Program ID
PPM_PROJECT_WID	NUMBER	Project ID
ROW_WID	NUMBER	Row ID

**PPM\_PROJECT\_TYPE\_B**

Project Type Bridge Table. Maintains many to many relationships between project types and activities.

Column	Type	Comments
ACTIVITY_WID	NUMBER	Activity ID
DATASOURCE_NUM_ID	NUMBER	Datasource number ID
INTEGRATION_ID	VARCHAR2	Integration ID
PPM_PROJECT_TYPE_WID	NUMBER	Project type ID
ROW_WID	NUMBER	Row ID

**PPM\_PROJECT\_TYPE\_D**

Project Type Dimension Table.

Column	Type	Comments
DATASOURCE_NUM_ID	NUMBER	Datasource number ID
ENABLE	NUMBER	Enable
INTEGRATION_ID	VARCHAR2	Integration ID
LAST_MODIFIED_DATE	DATE	Last modified date
LIST_ID	NUMBER	List ID
NAME	VARCHAR2	Name
PPM_PROJECT_TYPE_WID	NUMBER	Project type ID
ROW_WID	NUMBER	Row ID

**PPM\_PROJECT\_WORKFLOW\_D**

Project Workflow Dimension Table. Stores resolved dimension attributes data for project workflows.

Column	Type	Comments
CT_ENABLED	NUMBER	CT enabled flag
DATASOURCE_NUM_ID	NUMBER	Datasource number ID
ENABLE	NUMBER	Enabled flag
INTEGRATION_ID	VARCHAR2	Integration ID
LIST_ID	NUMBER	List ID
PPM_PROJECT_WORKFLOW_ID	NUMBER	Project workflow ID
ROW_WID	NUMBER	Row ID
WORKFLOW	VARCHAR2	Workflow name
WORKFLOW_ID	NUMBER	Workflow ID
WORKFLOW_STATE	VARCHAR2	Workflow state
WORKFLOW_STATE_ID	NUMBER	Workflow state ID
WORKFLOW_TYPE	VARCHAR2	Workflow type

**PPM\_REGION\_B**

Region Bridge Table. Maintains many to many relationships between regions data and activities.

Column	Type	Comments
ACTIVITY_WID	NUMBER	Activity ID
DATASOURCE_NUM_ID	NUMBER	Datasource number ID
INTEGRATION_ID	VARCHAR2	Integration ID
PPM_REGION_WID	NUMBER	Region ID
ROW_WID	NUMBER	Row ID

**PPM\_REGION\_D**

Region Dimension Table.

Column	Type	Comments
DATASOURCE_NUM_ID	NUMBER	Datasource number ID
ENABLE	NUMBER	Enable
INTEGRATION_ID	VARCHAR2	Integration ID
LAST_MODIFIED_DATE	DATE	Last modified date
LIST_ID	NUMBER	List ID
NAME	VARCHAR2	Name
PPM_REGION_WID	NUMBER	Region ID
ROW_WID	NUMBER	Row ID

**PPM\_ROOT\_PROGRAM\_D**

Root Programs Table. Stores resolved dimension attributes data for root level programs.

Column	Type	Comments
DATASOURCE_NUM_ID	NUMBER	Datasource number ID
ENABLE	NUMBER	Enable
INTEGRATION_ID	VARCHAR2	Integration ID
LAST_MODIFIED_DATE	DATE	Last modified date
LIST_ID	NUMBER	List ID
NAME	VARCHAR2	Name
ROOT_PROGRAM_WID	NUMBER	Root program ID
ROW_WID	NUMBER	Row ID

**PPM\_SNAPSHOT\_F**

Snapshot Fact Table. This table takes data from the project summary table. The frequency of the load is configurable. Project dimension in this subject area is the list of all the current projects.

Column	Type	Comments
ACTIVITY_WID	NUMBER	Activity ID
ACT_LAUNCH_VAR_FIRST_SS	NUMBER	Actual launch variance first on current snapshot compared to previous snapshot
ACT_TTM_VAR_DAYS_FIRST_SS	NUMBER	Actual time to market variance days first on current snapshot compared to previous snapshot
ACT_TTM_VAR_DAYS_OVER_SS	NUMBER	Actual time to market variance days over on current snapshot compared to previous snapshot
ACT_VAR_DAYS_FIRST_SS	NUMBER	Actual variance days first on current snapshot compared to previous snapshot
ACT_VAR_DAYS_OVER_SS	NUMBER	Actual variance days over on current snapshot compared to previous snapshot
CREATE_DATE	NUMBER	Create date
CURRENT_FLG	NUMBER	Current flag
DATASOURCE_NUM_ID	NUMBER	Datasource number ID
DAYS_FROM_PRJ_START	NUMBER	Project scheduled start date -Scheduled end date of gate
DEC_GATE_SCH_END_DATE	NUMBER	Snapshot of Scheduled end date of gate
EST_VAR_DAYS_FIRST_SS	NUMBER	Estimated variance days first on current snapshot compared to previous snapshot
EST_VAR_DAYS_OVER_SS	NUMBER	Estimated variance days over on current snapshot compared to previous snapshot
ETL_PROC_WID	NUMBER	ETL process ID
GATE_OWNER_WID	NUMBER	Gate owner ID
GATE_WID	NUMBER	Gate ID
HAS_MUL_ACTIVE_GATES_FLG	NUMBER	Has multiple active gates flag
HAS_MUL_ACTIVE_PHASES_FLG	NUMBER	Has multiple active phases flag
INTEGRATION_ID	VARCHAR2	Integration ID
LAST_MODIFIED_DATE	DATE	Last modified date
NO_COST_CHGS_PRJ	NUMBER	Count of snapshots of a project that had budgeted cost changes
NO_DAYS_DELAYED_OVER_PREV_SS	NUMBER	Average days delayed
NO_DUR_CHGS_PRJ	NUMBER	Count of snapshots of a project that had duration changes
NO_EFF_CHGS_PRJ	NUMBER	Count of snapshots of a project that had effort changes
OWNER_WID	NUMBER	Owner ID
PCT_COST_CHG_PRJ_OVER_PREV_SS	NUMBER	Percent Project Cost change on current snapshot compared to previous snapshot
PCT_DUR_CHGS_PRJ_OVER_PREV_SS	NUMBER	Percent Project Duration change on current snapshot compared to previous snapshot
PCT_EFF_CHGS_PRJ_OVER_PREV_SS	NUMBER	Percent Project Effort change on current snapshot compared to previous snapshot
PHASE_OWNER_WID	NUMBER	Phase owner ID
PHASE_WID	NUMBER	Phase ID
PH_ACT_TOTAL_COST	NUMBER	Snapshot of Phase Actual Total cost
PH_ACT_TOTAL_COST_VAR_PCT	NUMBER	Phase Actual total cost variance % based on snapshot
PH_ACT_WD_EFF	NUMBER	Snapshot of Phase Actual work days effort

PH_BGT_LABOR_COST	NUMBER	Snapshot of Phase Budgeted Labor cost
PH_BGT_TOTAL_COST	NUMBER	Snapshot of Phase Budgeted Total cost
PH_EFF_WD_VAR	NUMBER	Snapshot of Phase Effort work days variance
PH_EFF_WD_VAR_PCT	NUMBER	Phase Effort work days variance % based on snapshot
PH_EST_DUR	NUMBER	Snapshot of Phase Estimated Duration
PH_EST_TOTAL_COST	NUMBER	Snapshot Phase Estimated Total cost. This cost is calculated
PH_EST_TOTAL_COST_VAR_PCT	NUMBER	Phase Estimated total cost variance % based on snapshot
PH_EST_VAR_DAYS	NUMBER	Snapshot of Phase Estimated Variance days
PH_EXP_WD_EFF	NUMBER	Phase Expected work days effort based on snapshot
PH_PCT_COMP	NUMBER	Snapshot of Phase % Complete
PH_SCH_DUR	NUMBER	Snapshot of Phase Scheduled Duration
PH_SCH_EFF_WD	NUMBER	Snapshot of Phase Schedule effort work days
PPM_PHASE_WORKFLOW_ID	NUMBER	Phase workflow ID
PPM_PROJECT_WORKFLOW_ID	NUMBER	Project workflow ID
PRJ_ACT_END_DATE	NUMBER	Project Actual End Date
PRJ_ACT_START_DATE	NUMBER	Project Actual Start Date
PRJ_ACT_TOTAL_COST	NUMBER	Snapshot of Project Actual Total cost
PRJ_ACT_TOTAL_COST_VAR_PCT	NUMBER	Project Actual total cost variance % based on snapshot
PRJ_BGT_TOTAL_COST	NUMBER	Snapshot of Project Budgeted Total cost
PRJ_EST_DUR	NUMBER	Snapshot of Project Estimated Duration
PRJ_EST_TOTAL_COST	NUMBER	Project Estimated Total cost based on snapshot. This cost is calculated
PRJ_EST_TOTAL_COST_VAR_PCT	NUMBER	Project Estimated total cost variance % based on snapshot
PRJ_EST_VAR_DAYS	NUMBER	Snapshot of Project Estimated Variance days
PRJ_PCT_COMP	NUMBER	Percentage complete of a project
PRJ_SCH_DUR	NUMBER	Snapshot of Project Scheduled Duration
PRJ_SCH_END_DATE	NUMBER	Project Scheduled end date
PRJ_SCH_LAUNCH_DATE	NUMBER	Project scheduled launch date
PRJ_SCH_START_DATE	NUMBER	Project Scheduled start date
PROJECT_ORDER	NUMBER	Project order
PROJECT_OWNER_WID	NUMBER	Project owner ID
PROJECT_WID	NUMBER	Project ID
ROW_WID	NUMBER	Row ID
SCH_TTM_VAR_DAYS_FIRST_SS	NUMBER	Scheduled time to market variance days first on current snapshot compared to previous snapshot
SCH_TTM_VAR_DAYS_OVER_SS	NUMBER	Scheduled time to market variance days over on current snapshot compared to previous snapshot
SCH_VAR_DAYS_FIRST_SS	NUMBER	Scheduled variance days first on current snapshot compared to previous snapshot
SCH_VAR_DAYS_OVER_SS	NUMBER	Scheduled variance days over on current snapshot compared to previous snapshot
SNAPSHOT_DATE	NUMBER	Snapshot date
SNAP_CNT	NUMBER	Snapshot count
SOFT_DELETE_FLG	NUMBER	Soft delete flag
UPDATE_DATE	NUMBER	Update date

**PQM\_AUDIT\_CATEGORY\_D**

Audit Category Dimension Table. This Dimension table is conforming across Fact tables in Audit Subject Area. Out of the box, this table is mapped to the List configured to Category attribute of Audit Class of Agile PLM.

Column	Type	Comments
DATASOURCE_NUM_ID	NUMBER	Reserved. This column, in future releases, will uniquely identify the source system from which data was extracted.
ENABLE	NUMBER	This flag indicates whether the Member is deleted or not enabled. 1 for yes and 0 for no. [Agile PLM] This field is derived and cannot be mapped to another Agile PLM attribute.
INTEGRATION_ID	VARCHAR2	Reserved. This column, in future releases, will be used to uniquely identify dimension or fact entity in its source system.
LAST_MODIFIED_DATE	DATE	Last Modified Date. [Agile PLM] This field is derived and cannot be mapped to another Agile PLM attribute.
LIST_ID	NUMBER	List ID associated with attribute.
NAME	VARCHAR2	Audit Category Name
PQM_AUDIT_CATEGORY_ID	NUMBER	Primary Key for the Dimension Table. Primary key that uniquely identifies the record.
ROW_ID	NUMBER	Reserved. In future releases, this will store Surrogate key to uniquely identify a record.

**PQM\_AUDIT\_CUSTOMER\_B**

Audit Customer Bridge Table. Maintains data between Audit and Customer to resolve many to many relationships. Out of the box, this table is not populated with Agile PLM data. Data is populated when Agile PLM Multilist type attribute is configured to the corresponding column in the Fact table using BI Configurator.

Column	Type	Comments
CUSTOMER_ID	NUMBER	Customer ID. Foreign key to CUSTOMER_D.
DATASOURCE_NUM_ID	NUMBER	Reserved. This column, in future releases, will uniquely identify the source system from which data was extracted.
INTEGRATION_ID	VARCHAR2	Reserved. This column, in future releases, will be used to uniquely identify dimension or fact entity in its source system.
PQM_AUDIT_ID	NUMBER	PQM Audit ID. Foreign key to PQM_AUDIT_F.
ROW_ID	NUMBER	Reserved. In future releases, this will store Surrogate key to uniquely identify a record.

**PQM\_AUDIT\_DEPARTMENT\_D**

Department Audited Dimension Table. This Dimension table is conforming across Fact tables in Audit Subject Area. Out of the box, this table is not populated with Agile PLM data. The table is populated only when the Agile PLM attributes are mapped using BI Configurator.

Column	Type	Comments
DATASOURCE_NUM_ID	NUMBER	Reserved. This column, in future releases, will uniquely identify the source system from which data was extracted.
ENABLE	NUMBER	This flag indicates whether the Member is deleted or not enabled. 1 for yes and 0 for no. [Agile PLM] This field is derived and cannot be mapped to another Agile PLM attribute.
INTEGRATION_ID	VARCHAR2	Reserved. This column, in future releases, will be used to uniquely identify dimension or fact entity in its source system.
LAST_MODIFIED_DATE	DATE	Last Modified Date. [Agile PLM] This field is derived and cannot be mapped to another Agile PLM attribute.
LIST_ID	NUMBER	List ID associated with attribute.
NAME	VARCHAR2	Audit Department Name
PQM_AUDIT_DEPARTMENT_ID	NUMBER	PQM Audit Department.
ROW_ID	NUMBER	Reserved. In future releases, this will store Surrogate key to uniquely identify a record.

**PQM\_AUDIT\_DOC\_AUDITED\_B**

Audit and Document Audited Bridge Table. Maintains data between Audit and Document Audited to resolve Many to many relationships. Out of the box, this table is not populated with Agile PLM data. Data is populated when Agile PLM Multilist type attribute is configured to corresponding column in the Fact table using BI Configurator.

Column	Type	Comments
DATASOURCE_NUM_ID	NUMBER	Reserved. This column, in future releases, will uniquely identify the source system from which data was extracted.
INTEGRATION_ID	VARCHAR2	Reserved. This column, in future releases, will be used to uniquely identify dimension or fact entity in its source system.
PQM_AUDIT_DOC_AUDITED_ID	NUMBER	Audit Doc Audited.
PQM_AUDIT_ID	NUMBER	Audit.
ROW_ID	NUMBER	Reserved. In future releases, this will store Surrogate key to uniquely identify a record.

***PQM\_AUDIT\_DOC\_AUDITED\_D***

Document Audited Dimension Table. This Dimension table is conforming across Fact tables in Audit Subject Areas. Out of the box, this table is not populated with Agile PLM data. The table is populated only when the Agile PLM attributes are mapped using BI Configurator.

Column	Type	Comments
DATASOURCE_NUM_ID	NUMBER	Reserved. This column, in future releases, will uniquely identify the source system from which data was extracted.
ENABLE	NUMBER	This flag indicates whether the Member is deleted or not enabled. 1 for yes and 0 for no. [Agile PLM] This field is derived and cannot be mapped to another Agile PLM attribute.
INTEGRATION_ID	VARCHAR2	Reserved. This column, in future releases, will be used to uniquely identify dimension or fact entity in its source system.
LAST_MODIFIED_DATE	DATE	Last Modified Date. [Agile PLM] This field is derived and cannot be mapped to another Agile PLM attribute.
LIST_ID	NUMBER	List ID associated with attribute.
NAME	VARCHAR2	Audit Document Audited Name
PQM_AUDIT_DOC_AUDITED_ID	NUMBER	Audit Doc Audited.
ROW_ID	NUMBER	Reserved. In future releases, this will store Surrogate key to uniquely identify a record.

**PQM\_AUDIT\_EXTRNL\_AGENCY\_D**

Audit External Agencies Dimension Table. This Dimension table is conforming across Fact tables in Audit Subject Areas. Out of the box, this table is not populated with Agile PLM data. The table is populated only when the Agile PLM attributes are mapped using BI Configurator.

Column	Type	Comments
DATASOURCE_NUM_ID	NUMBER	Reserved. This column, in future releases, will uniquely identify the source system from which data was extracted.
ENABLE	NUMBER	This flag indicates whether the Member is deleted or not enabled. 1 for yes and 0 for no. [Agile PLM] This field is derived and cannot be mapped to another Agile PLM attribute.
INTEGRATION_ID	VARCHAR2	Reserved. This column, in future releases, will be used to uniquely identify dimension or fact entity in its source system.
LAST_MODIFIED_DATE	DATE	Last Modified Date. [Agile PLM] This field is derived and cannot be mapped to another Agile PLM attribute.
LIST_ID	NUMBER	List ID associated with attribute.
NAME	VARCHAR2	Audit External Agency Name
PQM_AUDIT_EXTRNL_AGENCY_ID	NUMBER	Audit External Agency. Primary key that uniquely identifies the record.
ROW_ID	NUMBER	Reserved. In future releases, this will store Surrogate key to uniquely identify a record.

**PQM\_AUDIT\_F**

Audit Fact Table. This core fact table is used for Audit which has Volume, Aging and Cycle time related measures.

Column	Type	Comments
CANCEL_FLAG	NUMBER	This flag indicates whether this object is cancelled. 1 for yes and 0 for no. [Agile PLM] This field is derived and cannot be mapped to another Agile PLM attribute.
CHANGE_FLAG	NUMBER	This flag indicates whether this object has a CHANGE associated with it. 1 for yes and 0 for no. [Agile PLM] This field is derived and cannot be mapped to another Agile PLM attribute.
COMPLETE_FLAG	NUMBER	This flag indicates whether this object is complete. 1 for yes and 0 for no. [Agile PLM] This field is derived and cannot be mapped to another Agile PLM attribute.
CURRENT_OWNER_USER_ID	NUMBER	The owner of the AUDIT at that moment, at any point of time there should be one. Foreign key to USER_D.USER_ID. [Agile PLM] This field is derived and cannot be mapped to another Agile PLM attribute.
DATASOURCE_NUM_ID	NUMBER	Reserved. This column, in future releases, will uniquely identify the source system from which data was extracted.
DESCRIPTION	VARCHAR2	Description. [Agile PLM] This field maps to the "Description" attribute in Quality Change Request class. This column cannot be re-mapped to another Agile PLM attribute.
DURATION_DAYS	NUMBER	Duration Days. [Agile PLM] This field is derived and cannot be mapped to another Agile PLM attribute.
FINAL_COMPLETE_TIME_ID	NUMBER	Final complete date in Julian date format. [Agile PLM] This field maps to the "Final Complete Date" attribute in Quality Change Request class. This column cannot be re-mapped to another Agile PLM attribute.
INTEGRATION_ID	VARCHAR2	Reserved. This column, in future releases, will be used to uniquely identify dimension or fact entity in its source system.
INT_ORGANIZATION_ID	NUMBER	Internal organisation. Foreign key to INT_ORGANIZATION_D.INT_ORGANIZATION_ID. [Agile PLM] This field is derived and cannot be mapped to another Agile PLM attribute.
LAST_MODIFIED_DATE	DATE	Last Modified Date. Maps to the UPDATE_DATE attribute in QCR_AUDIT class. [Agile PLM] This field is derived and cannot be mapped to another Agile PLM attribute.
NCR_FLAG	NUMBER	This flag indicates whether the object has a NCR. 1 for yes and 0 for no. [Agile PLM] This field is derived and cannot be mapped to another Agile PLM attribute.
NO_OF_AUDIT_FINDING_TYPE_1	NUMBER	Number of Audit Finding Type 1. [Agile PLM] Out of the box this defined column is not mapped to any Agile PLM attributes. Use the BI Configurator to map this column to an Agile PLM attribute.
NO_OF_AUDIT_FINDING_TYPE_2	NUMBER	Number of Audit Finding Type 2. [Agile PLM] Out of the box this defined column is not mapped to any Agile PLM attributes. Use the BI Configurator to map this column to an Agile PLM attribute.
NO_OF_AUDIT_FINDING_TYPE_3	NUMBER	Number of Audit Finding Type 3. [Agile PLM] Out of the box this defined column is not mapped to any Agile PLM attributes. Use the BI Configurator to map this column to an Agile PLM attribute.
NO_OF_AUDIT_FINDING_TYPE_4	NUMBER	Number of Audit Finding Type 4. [Agile PLM] Out of the box this defined column is not mapped to any Agile PLM attributes. Use the BI Configurator to map this column to an Agile PLM attribute.
ORIGINATED_TIME_ID	NUMBER	Originated date or Create date in Julian date format. [Agile PLM] This field maps to the "Date Originated" attribute in Quality Change Request class. This column cannot be re-mapped to another Agile PLM attribute.

ORIGINATOR_USER_ID	NUMBER	Originator user. Foreign key to USER_D.USER_ID. [Agile PLM] This field maps to the "Originator" attribute in Quality Change Request class. This column cannot be re-mapped to another Agile PLM attribute.
ORIG_CMPL_DAYS	NUMBER	Duaration between Final complete date and Originated date excluding days spent in Hold state when Final complete date is not null and Duration between System date or ETL run date and Originated Date excluding days spent in Hold state when Final complete i
ORIG_CMPL_HOLD_DURATION_DAYS	NUMBER	Duration between the final complete date and the originated date when the final date is not null. The duration between the system date or the ETL run date and the originated date when the final complete date is null. [Agile PLM] This field is derived and
ORIG_RLSE_DAYS	NUMBER	Duration between Released date and Originated date when Released Date is not null and Duration between System date or ETL run date and Originated date when Released date is null excluding the days spent in Hold state. [Agile PLM] This field is derived and
ORIG_RLSE_HOLD_DURATION_DAYS	NUMBER	Duration between the release date and the originated date when the final date is not null. The duration between the system date or the ETL run date and the originated date when the release date is null. [Agile PLM] This field is derived and cannot be mapp
PLANNED_AUDIT_TIME_ID	NUMBER	Planned audit date in Julian Date format. [Agile PLM] This field maps to the "Planned Audit Date" attribute in Quality Change Request class. This column cannot be re-mapped to another Agile PLM attribute.
PQM_AUDIT_CATEGORY_ID	NUMBER	Audit Category ID. Foreign key to PQM_AUDIT_CATEGORY_D.PQM_AUDIT_CATEGORY_ID. [Agile PLM] This field maps to the "Category" attribute in Quality Change Request class. This column cannot be re-mapped to another Agile PLM attribute.
PQM_AUDIT_DEPARTMENT_ID	NUMBER	PQM Audit Department. Foreign key to PQM_AUDIT_DEPARTMENT_D.PQM_AUDIT_DEPARTMENT_ID. [Agile PLM] This field cannot be mapped to another Agile PLM attribute.
PQM_AUDIT_EXTRNL_AGENCY_ID	NUMBER	Audit External Agency. Foreign key to PQM_AUDIT_EXTRNL_AGENCY_D.PQM_AUDIT_EXTRNL_AGENCY_ID. [Agile PLM] This field cannot be mapped to another Agile PLM attribute.
PQM_AUDIT_FORM_ID	NUMBER	PQM Audit Form. Carried over from PQM_AUDIT_F based on PQM_AUDIT_ID. Foreign key to PQM_AUDIT_FORM_D.PQM_AUDIT_FORM_ID. [Agile PLM] This field cannot be mapped to another Agile PLM attribute.
PQM_AUDIT_ID	NUMBER	[Agile PLM] This field maps to the ID attribute in QCR_AUDIT class.
PQM_AUDIT_LOCATION_ID	NUMBER	PQM Audit Location Foreign key to PQM_AUDIT_LOCATION_D.PQM_AUDIT_LOCATION_ID. [Agile PLM] This field cannot be mapped to another Agile PLM attribute.
PQM_AUDIT_MANUAL_SECTION_ID	NUMBER	Audit Manual Section. Foreign key to PQM_AUDIT_MANUAL_SECTION_D.PQM_AUDIT_MANUAL_SECTION_ID. [Agile PLM] This field cannot be mapped to another Agile PLM attribute.
PQM_AUDIT_NO	VARCHAR2	PQM Audit Number. [Agile PLM] This field maps to the "QCR Number" attribute in Quality Change Request class. This column cannot be re-mapped to another Agile PLM attribute.
PQM_AUDIT_PRIORITY_ID	NUMBER	Audit Priority. Foreign key to PQM_AUDIT_PRIORITY_D.PQM_AUDIT_PRIORITY_ID. [Agile PLM] This field maps to the PRIORITY_ID attribute. This field cannot be mapped to another Agile PLM attribute.
PQM_AUDIT_RESULT_ID	NUMBER	Audit Result ID. Foreign key to PQM_AUDIT_RESULT_D.PQM_AUDIT_RESULT_ID . [Agile PLM] This field maps to the "Audit Result" attribute in Quality Change Request class. This column cannot be re-mapped to another Agile PLM attribute.

PQM_AUDIT_STANDARD_ID	NUMBER	Audit Standard. Foreign key to PQM_AUDIT_STANDARD_D.PQM_AUDIT_STANDARD_ID. [Agile PLM] This field cannot be mapped to another Agile PLM attribute.
PQM_AUDIT_TYPE_ID	NUMBER	Audit Type ID. Foreign key to PQM_AUDIT_TYPE_D.PQM_AUDIT_TYPE_ID. [Agile PLM] This field maps to the "QCR Type" attribute in Quality Change Request class. This column cannot be re-mapped to another Agile PLM attribute.
PQM_AUDIT_WORKFLOW_ID	NUMBER	Audit Workflow. [Agile PLM] This field is derived and cannot be mapped to another Agile PLM attribute.
PQM_QUALITY_ANALYST_USER_ID	NUMBER	Quality Analyst User ID. Foreign key to USER_D.USER_ID. [Agile PLM] This field maps to the "Quality Administrator" attribute in Quality Change Request class. This column cannot be re-mapped to another Agile PLM attribute.
RELEASED_FLAG	NUMBER	This flag is set to "Yes" or "1", if the object workflow is in Released state. Which is available from workflow tab of object. [Agile PLM] This field is derived and cannot be mapped to another Agile PLM attribute.
RELEASED_TIME_ID	NUMBER	Release date in Julian date format. [Agile PLM] This field maps to the "Date Released" attribute in Quality Change Request class. This column cannot be re-mapped to another Agile PLM attribute.
REPORT_ISSUE_TIME_ID	NUMBER	Report issue time in Julian Date format.
ROW_ID	NUMBER	Reserved. In future releases, this will store Surrogate key to uniquely identify a record.
SBMT_CMPL_DAYS	NUMBER	Duration between Final complete date and Submit date excluding the days spent in Hold state when Final complete date is not null and Duration between System date or ETL run date and Submit date excluding the days spent in Hold state when Final complete da
SBMT_CMPL_HOLD_DURATION_DAYS	NUMBER	Duration between Final Complete date and Submit date when Final Complete date is not null and Duration between System date or ETL run date and Submit date when Final Complete date is null. [Agile PLM] This field is derived and cannot be mapped to another
SBMT_RLSE_DAYS	NUMBER	Duration between Released date and Submit date excluding the days spent in Hold state when Released date is not null and Duration between System date or ETL run date and Submit date excluding the days spent in Hold state when Released date is null. [Agile
SBMT_RLSE_HOLD_DURATION_DAYS	NUMBER	Duration between Released date and Submit date when Released date is not null and Duration between System date or ETL run date and Submit date when Released date is null. [Agile PLM] This field is derived and cannot be mapped to another Agile PLM attribut
SOFT_DELETE_FLAG	NUMBER	This flag indicates whether the object is soft-deleted. 1 for yes and 0 for no. [Agile PLM] This field is derived and cannot be mapped to another Agile PLM attribute.
SUBMITTED_TIME_ID	NUMBER	Submit date in Julian date format. [Agile PLM] This field maps to the "Date Submitted" attribute in Quality Change Request class. This column cannot be re-mapped to another Agile PLM attribute.
SUPPLIER_AUDIT_SCORE_1	NUMBER	Supplier Audit Score 1. [Agile PLM] Out of the box this defined column is not mapped to any Agile PLM attributes. Use the BI Configurator to map this column to an Agile PLM attribute.
SUPPLIER_AUDIT_SCORE_2	NUMBER	Supplier audit score.
SUPPLIER_AUDIT_SCORE_3	NUMBER	Supplier Audit Score 3. [Agile PLM] Out of the box this defined column is not mapped to any Agile PLM attributes. Use the BI Configurator to map this column to an Agile PLM attribute.
VALID_FLAG	NUMBER	This flag indicates whether this object is valid. 1 for yes and 0 for no. [Agile PLM] This field is derived and cannot be mapped to another Agile PLM attribute.
VERIFIED_TIME_ID	NUMBER	Verified Time in Julian Date format.

WRAPUP_TIME_ID	NUMBER	Wrap up time in Julian Date format.
----------------	--------	-------------------------------------

**PQM\_AUDIT\_FINDING\_TYPE\_B**

Audit Finding Type Bridge Table. Maintains data between Audit and Finding Type to resolve Many to many relationships. Out of the box, this table is not populated with Agile PLM data. Data is populated when Agile PLM Multilist type attribute is configured to corresponding column in the Fact table using BI Configurator.

Column	Type	Comments
DATASOURCE_NUM_ID	NUMBER	Reserved. This column, in future releases, will uniquely identify the source system from which data was extracted.
INTEGRATION_ID	VARCHAR2	Reserved. This column, in future releases, will be used to uniquely identify dimension or fact entity in its source system.
PQM_AUDIT_FINDING_TYPE_ID	NUMBER	Audit Finding Type.
PQM_AUDIT_ID	NUMBER	Audit.
ROW_ID	NUMBER	Reserved. In future releases, this will store Surrogate key to uniquely identify a record.

**PQM\_AUDIT\_FINDING\_TYPE\_D**

Audit Finding Types Dimension Table. This table is conforming across Fact tables in Audit Subject Areas. Out of the box, this table is not populated with Agile PLM data. The table is populated only when the Agile PLM attributes are mapped using BI Configurator.

Column	Type	Comments
DATASOURCE_NUM_ID	NUMBER	Reserved. This column, in future releases, will uniquely identify the source system from which data was extracted.
ENABLE	NUMBER	This flag indicates whether the Member is deleted or not enabled. 1 for yes and 0 for no. [Agile PLM] This field is derived and cannot be mapped to another Agile PLM attribute.
INTEGRATION_ID	VARCHAR2	Reserved. This column, in future releases, will be used to uniquely identify dimension or fact entity in its source system.
LAST_MODIFIED_DATE	DATE	Last Modified Date. [Agile PLM] This field is derived and cannot be mapped to another Agile PLM attribute.
LIST_ID	NUMBER	List ID associated with attribute.
NAME	VARCHAR2	Audit Finding Type Name
PQM_AUDIT_FINDING_TYPE_ID	NUMBER	Audit Finding Type. Primary key that uniquely identifies the record.
ROW_ID	NUMBER	Reserved. In future releases, this will store Surrogate key to uniquely identify a record.

**PQM\_AUDIT\_FORM\_D**

Audit Form Dimension table. This table is conforming across Fact tables in Audit Subject Area. Out of the box, this table is not populated with Agile PLM data. The table is populated only when the Agile PLM attributes are mapped using BI Configurator.

Column	Type	Comments
DATASOURCE_NUM_ID	NUMBER	Reserved. This column, in future releases, will uniquely identify the source system from which data was extracted.
ENABLE	NUMBER	This flag indicates whether the Member is deleted or not enabled. 1 for yes and 0 for no. [Agile PLM] This field is derived and cannot be mapped to another Agile PLM attribute.
INTEGRATION_ID	VARCHAR2	Reserved. This column, in future releases, will be used to uniquely identify dimension or fact entity in its source system.
LAST_MODIFIED_DATE	DATE	Last Modified Date. [Agile PLM] This field is derived and cannot be mapped to another Agile PLM attribute.
LIST_ID	NUMBER	List ID associated with attribute.
NAME	VARCHAR2	Audit Form Name
PQM_AUDIT_FORM_ID	NUMBER	PQM Audit Form. Carried over from PQM_AUDIT_F based on PQM_AUDIT_ID. Primary key that uniquely identifies the record.
ROW_ID	NUMBER	Reserved. In future releases, this will store Surrogate key to uniquely identify a record.

**PQM\_AUDIT\_ITEM\_DATA**

Audit Item Data Table. This Temporary table, reserved for ETL process, is used for configuring flex attributes between Item and Audits relationship.

Column	Type	Comments
AFFECTED_SITE_ID	NUMBER	Affected Site. Foreign key to SITE_D.SITE_ID. [Agile PLM] This field maps to the "Affected Site" attribute in Quality Change Request class in Affected Item tab. This field cannot be re-mapped to another Agile PLM attribute.
DATASOURCE_NUM_ID	NUMBER	Reserved. This column, in future releases, will uniquely identify the source system from which data was extracted.
ID	NUMBER	
INTEGRATION_ID	VARCHAR2	Reserved. This column, in future releases, will be used to uniquely identify dimension or fact entity in its source system.
ITEM_CATEGORY_ID	NUMBER	Item category. Foreign key to ITEM_CATEGORY_D.ITEM_CATEGORY_ID. [Agile PLM] This field maps to the "Category" attribute in Quality Change Request class in Affected Item tab. This field cannot be re-mapped to another Agile PLM attribute.
ITEM_COMMODITY_ID	NUMBER	Item commodity. Foreign key to ITEM_COMMODITY_D.ITEM_COMMODITY_ID. [Agile PLM] This field maps to the "Commodity" attribute in Quality Change Request class in Affected Item tab. This field cannot be re-mapped to another Agile PLM attribute.
ITEM_ID	NUMBER	Item ID. Foreign key to ITEM_D.ITEM_ID.
ITEM_LIFECYCLE_STATE_ID	NUMBER	Item lifecycle state. [Agile PLM] This field maps to the "Item Lifecycle State" attribute in Quality Change Request class in Affected Item tab. This field cannot be re-mapped to another Agile PLM attribute.
ITEM_PART_FAMILY_ID	NUMBER	Item part family. Foreign key to ITEM_PART_FAMILY_D.ITEM_PART_FAMILY_ID. [Agile PLM] This field maps to the PART_FAMILY_ID attribute in ITEM class in Affected Item tab. This field cannot be re-mapped to another Agile PLM attribute.
ITEM_SIZE_ID	NUMBER	Item size. Foreign key to ITEM_SIZE_D.ITEM_SIZE_ID. [Agile PLM] This field maps to the DOCSIZE attribute in ITEM class in Affected Item tab. This field cannot be re-mapped to another Agile PLM attribute.
ITEM_TYPE_ID	NUMBER	Item type. Foreign key to ITEM_TYPE_D.ITEM_TYPE_ID. [Agile PLM] This field maps to the SUBCLASS_ID attribute in ITEM class in Affected Item tab. This field cannot be re-mapped to another Agile PLM attribute.
LATEST_CHANGE_NO	VARCHAR2	Latest Change Number. [Agile PLM] This field maps to the "Latest Change No" attribute in Quality Change Request class in Affected Item tab. This field cannot be re-mapped to another Agile PLM attribute.
PQM_AUDIT_ID	NUMBER	Audit ID. [Agile PLM] This field maps to the "ID" attribute in Quality Change Request class in Affected Item tab. This field cannot be re-mapped to another Agile PLM attribute.
REV_ID	NUMBER	Revision this object is associated with. Foreign key to ITEM_REV_D.ITEM_REV_ID. [Agile PLM] This field maps to the "Item Rev" attribute in Quality Change Request class in Affected Item tab. This field cannot be re-mapped to another Agile PLM attribute.
ROW_ID	NUMBER	Reserved. In future releases, this will store Surrogate key to uniquely identify a record.
TLA_FLAG	NUMBER	This flag is set to "Yes" or "1", if the item Object is a Shippable Item . [Agile PLM] This field maps to the "TLA Flag" attribute in Quality Change Request class in Affected Item tab. This field cannot be re-mapped to another Agile PLM attribute.

***PQM\_AUDIT\_ITEM\_PRODUCTLINE\_B***

Audit Item Productline Bridge Table. Maintains data between Audit Item Fact table and Item Productline Dimension table to resolve many to many relationships. Out of the box, this table is not populated with Agile PLM data. Data is populated when Agile PLM Multilist type attribute is configured to corresponding column in the Fact table using BI Configurator.

<b>Column</b>	<b>Type</b>	<b>Comments</b>
DATASOURCE_NUM_ID	NUMBER	Reserved. This column, in future releases, will uniquely identify the source system from which data was extracted.
INTEGRATION_ID	VARCHAR2	Reserved. This column, in future releases, will be used to uniquely identify dimension or fact entity in its source system.
ITEM_ID	NUMBER	Item ID. Foreign key to ITEM_D.
ITEM_PRODUCTLINE_ID	NUMBER	Item Productline ID. Foreign key to ITEM_PRODUCTLINE_D.
ROW_ID	NUMBER	Reserved. In future releases, this will store Surrogate key to uniquely identify a record.

**PQM\_AUDIT\_LOCATION\_D**

Audit Locations Dimension Table. This table is conforming across Fact tables in Audit Subject Areas. Out of the box, this table is not populated with Agile PLM data. The table is populated only when the Agile PLM attributes are mapped using BI Configurator.

Column	Type	Comments
DATASOURCE_NUM_ID	NUMBER	Reserved. This column, in future releases, will uniquely identify the source system from which data was extracted.
ENABLE	NUMBER	This flag indicates whether the Member is deleted or not enabled. 1 for yes and 0 for no. [Agile PLM] This field is derived and cannot be mapped to another Agile PLM attribute.
INTEGRATION_ID	VARCHAR2	Reserved. This column, in future releases, will be used to uniquely identify dimension or fact entity in its source system.
LAST_MODIFIED_DATE	DATE	Last Modified Date. [Agile PLM] This field is derived and cannot be mapped to another Agile PLM attribute.
LIST_ID	NUMBER	List ID associated with attribute.
NAME	VARCHAR2	Audit Location Name
PQM_AUDIT_LOCATION_ID	NUMBER	PQM Audit Location Primary key that uniquely identifies the record.
ROW_ID	NUMBER	Reserved. In future releases, this will store Surrogate key to uniquely identify a record.

**PQM\_AUDIT\_MANUAL\_SECTION\_D**

Audit Manual Section Dimension Table. This table is conforming across Fact tables in Audit Subject Area. Out of the box, this table is not populated with Agile PLM data. The table is populated only when the Agile PLM attributes are mapped using BI Configurator.

Column	Type	Comments
DATASOURCE_NUM_ID	NUMBER	Reserved. This column, in future releases, will uniquely identify the source system from which data was extracted.
ENABLE	NUMBER	This flag indicates whether the Member is deleted or not enabled. 1 for yes and 0 for no. [Agile PLM] This field is derived and cannot be mapped to another Agile PLM attribute.
INTEGRATION_ID	VARCHAR2	Reserved. This column, in future releases, will be used to uniquely identify dimension or fact entity in its source system.
LAST_MODIFIED_DATE	DATE	Last Modified Date. [Agile PLM] This field is derived and cannot be mapped to another Agile PLM attribute.
LIST_ID	NUMBER	List ID associated with attribute.
NAME	VARCHAR2	Audit Manual Section Name
PQM_AUDIT_MANUAL_SECTION_ID	NUMBER	Primary Key for the Dimension Table. Primary key that uniquely identifies the record.
ROW_ID	NUMBER	Reserved. In future releases, this will store Surrogate key to uniquely identify a record.

**PQM\_AUDIT\_PRD\_AUDITED\_B**

Audit and Product Audited Bridge Table. Maintains data between Audit and Audited Product to resolve Many to many relationships. Out of the box, this table is not populated with Agile PLM data. The table is populated when Agile PLM Multilist type attribute is configured to corresponding column in the Fact table using BI Configurator.

Column	Type	Comments
DATASOURCE_NUM_ID	NUMBER	Reserved. This column, in future releases, will uniquely identify the source system from which data was extracted.
INTEGRATION_ID	VARCHAR2	Reserved. This column, in future releases, will be used to uniquely identify dimension or fact entity in its source system.
PQM_AUDIT_ID	NUMBER	Audit.
PQM_AUDIT_PRD_AUDITED_ID	NUMBER	Audit Production Audited.
ROW_ID	NUMBER	Reserved. In future releases, this will store Surrogate key to uniquely identify a record.

**PQM\_AUDIT\_PRD\_AUDITED\_D**

Product Audited Dimension Table. This table is conforming across Fact tables in Audit Subject Areas. Out of the box, this table is not populated with Agile PLM data. The table is populated only when the Agile PLM attributes are mapped using BI Configurator.

Column	Type	Comments
DATASOURCE_NUM_ID	NUMBER	Reserved. This column, in future releases, will uniquely identify the source system from which data was extracted.
ENABLE	NUMBER	This flag indicates whether the Member is deleted or not enabled. 1 for yes and 0 for no. [Agile PLM] This field is derived and cannot be mapped to another Agile PLM attribute.
INTEGRATION_ID	VARCHAR2	Reserved. This column, in future releases, will be used to uniquely identify dimension or fact entity in its source system.
LAST_MODIFIED_DATE	DATE	Last Modified Date. [Agile PLM] This field is derived and cannot be mapped to another Agile PLM attribute.
LIST_ID	NUMBER	List ID associated with attribute.
NAME	VARCHAR2	Audit Product Audited Name
PQM_AUDIT_PRD_AUDITED_ID	NUMBER	Audit Production Audited. Primary key that uniquely identifies the record.
ROW_ID	NUMBER	Reserved. In future releases, this will store Surrogate key to uniquely identify a record.

**PQM\_AUDIT\_PRG\_B**

Audit Program Bridge Table. Maintains data between Audit and Audited Program to resolve Many to many relationships. Out of the box, this table is not populated with Agile PLM data. The table is populated when Agile PLM Multilist type attribute is configured to the corresponding column in the Fact table using BI Configurator.

Column	Type	Comments
DATASOURCE_NUM_ID	NUMBER	Reserved. This column, in future releases, will uniquely identify the source system from which data was extracted.
INTEGRATION_ID	VARCHAR2	Reserved. This column, in future releases, will be used to uniquely identify dimension or fact entity in its source system.
PQM_AUDIT_ID	NUMBER	Audit.
PQM_AUDIT_PRG_ID	NUMBER	Audit Prg.
ROW_ID	NUMBER	Reserved. In future releases, this will store Surrogate key to uniquely identify a record.

**PQM\_AUDIT\_PRG\_D**

Audit Programs Dimension Table. This table is conforming across Fact tables in Audit Subject Areas. Out of the box, this table is not populated with Agile PLM data. The table is populated only when the Agile PLM attributes are mapped using BI Configurator.

Column	Type	Comments
DATASOURCE_NUM_ID	NUMBER	Reserved. This column, in future releases, will uniquely identify the source system from which data was extracted.
ENABLE	NUMBER	This flag indicates whether the Member is deleted or not enabled. 1 for yes and 0 for no. [Agile PLM] This field is derived and cannot be mapped to another Agile PLM attribute.
INTEGRATION_ID	VARCHAR2	Reserved. This column, in future releases, will be used to uniquely identify dimension or fact entity in its source system.
LAST_MODIFIED_DATE	DATE	Last Modified Date. [Agile PLM] This field is derived and cannot be mapped to another Agile PLM attribute.
LIST_ID	NUMBER	List ID associated with attribute.
NAME	VARCHAR2	Audit Program Name
PQM_AUDIT_PRG_ID	NUMBER	Audit Prg. Primary key that uniquely identifies the record.
ROW_ID	NUMBER	Reserved. In future releases, this will store Surrogate key to uniquely identify a record.

**PQM\_AUDIT\_PRIORITY\_D**

Audit Priorities Dimension Table. This table is conforming across Fact tables in Audit Subject Areas. Out of the box, this table is not populated with Agile PLM data. The table is populated only when the Agile PLM attributes are mapped using BI Configurator.

Column	Type	Comments
DATASOURCE_NUM_ID	NUMBER	Reserved. This column, in future releases, will uniquely identify the source system from which data was extracted.
ENABLE	NUMBER	This flag indicates whether the Member is deleted or not enabled. 1 for yes and 0 for no. [Agile PLM] This field is derived and cannot be mapped to another Agile PLM attribute.
INTEGRATION_ID	VARCHAR2	Reserved. This column, in future releases, will be used to uniquely identify dimension or fact entity in its source system.
LAST_MODIFIED_DATE	DATE	Last Modified Date. [Agile PLM] This field is derived and cannot be mapped to another Agile PLM attribute.
LIST_ID	NUMBER	List ID associated with attribute.
NAME	VARCHAR2	Audit Priority Name
PQM_AUDIT_PRIORITY_ID	NUMBER	Audit Priority. Primary key that uniquely identifies the record.
ROW_ID	NUMBER	Reserved. In future releases, this will store Surrogate key to uniquely identify a record.

***PQM\_AUDIT\_PROCESS\_AUDITED\_B***

Audit and Process Audited Bridge Table. Maintains data between Audit and Audited Process to resolve Many to many relationships. Out of the box, this table is not populated with Agile PLM data. The table is populated when Agile PLM Multilist type attribute is configured to corresponding column in the Fact table using BI Configurator.

<b>Column</b>	<b>Type</b>	<b>Comments</b>
DATASOURCE_NUM_ID	NUMBER	Reserved. This column, in future releases, will uniquely identify the source system from which data was extracted.
INTEGRATION_ID	VARCHAR2	Reserved. This column, in future releases, will be used to uniquely identify dimension or fact entity in its source system.
PQM_AUDIT_ID	NUMBER	Audit.
PQM_AUDIT_PROCESS_AUDITED_ID	NUMBER	Audit Process Audited.
ROW_ID	NUMBER	Reserved. In future releases, this will store Surrogate key to uniquely identify a record.

***PQM\_AUDIT\_PROCESS\_AUDITED\_D***

Audit Process Dimension Table. This table is conforming across Fact tables in Audit Subject Areas. Out of the box, this table is not populated with Agile PLM data. The table is populated only when the Agile PLM attributes are mapped using BI Configurator.

Column	Type	Comments
DATASOURCE_NUM_ID	NUMBER	Reserved. This column, in future releases, will uniquely identify the source system from which data was extracted.
ENABLE	NUMBER	This flag indicates whether the Member is deleted or not enabled. 1 for yes and 0 for no. [Agile PLM] This field is derived and cannot be mapped to another Agile PLM attribute.
INTEGRATION_ID	VARCHAR2	Reserved. This column, in future releases, will be used to uniquely identify dimension or fact entity in its source system.
LAST_MODIFIED_DATE	DATE	Last Modified Date. [Agile PLM] This field is derived and cannot be mapped to another Agile PLM attribute.
LIST_ID	NUMBER	List ID associated with attribute.
NAME	VARCHAR2	Audit Process Audited Name
PQM_AUDIT_PROCESS_AUDITED_ID	NUMBER	Audit Process Audited. Primary key that uniquely identifies the record.
ROW_ID	NUMBER	Reserved. In future releases, this will store Surrogate key to uniquely identify a record.

**PQM\_AUDIT\_PRODUCTLINE\_B**

Audit Productline Bridge Table. Maintains data between Audit and Productline to resolve Many to many relationships. Out of the box, this table is not populated with Agile PLM data. The table is populated when Agile PLM Multilist type attribute is configured to corresponding column in the Fact table using BI Configurator.

Column	Type	Comments
DATASOURCE_NUM_ID	NUMBER	Reserved. This column, in future releases, will uniquely identify the source system from which data was extracted.
INTEGRATION_ID	VARCHAR2	Reserved. This column, in future releases, will be used to uniquely identify dimension or fact entity in its source system.
PQM_AUDIT_ID	NUMBER	PQM Audit ID. Foreign key to PQM_AUDIT_F.
PQM_PRODUCTLINE_ID	NUMBER	PQM Productline ID. Foreign key to PQM_PRODUCTLINE_D.
ROW_ID	NUMBER	Reserved. In future releases, this will store Surrogate key to uniquely identify a record.

**PQM\_AUDIT\_RESULT\_D**

Audit Results Dimension Table. This table is conforming across Fact tables in CAPA and Audit Subject Areas. Out of the box, this table is mapped to the List configured to Audit Result of Agile PLM.

Column	Type	Comments
DATASOURCE_NUM_ID	NUMBER	Reserved. This column, in future releases, will uniquely identify the source system from which data was extracted.
ENABLE	NUMBER	This flag indicates whether the Member is deleted or not enabled. 1 for yes and 0 for no. [Agile PLM] This field is derived and cannot be mapped to another Agile PLM attribute.
INTEGRATION_ID	VARCHAR2	Reserved. This column, in future releases, will be used to uniquely identify dimension or fact entity in its source system.
LAST_MODIFIED_DATE	DATE	Last Modified Date. [Agile PLM] This field is derived and cannot be mapped to another Agile PLM attribute.
LIST_ID	NUMBER	List ID associated with attribute.
NAME	VARCHAR2	Audit Result Name
PQM_AUDIT_RESULT_ID	NUMBER	Primary Key for the Dimension Table. Primary key that uniquely identifies the record.
ROW_ID	NUMBER	Reserved. In future releases, this will store Surrogate key to uniquely identify a record.

***PQM\_AUDIT\_STANDARD\_D***

Audit Standards Dimension Table. This table is conforming across Fact tables in Audit Subject Areas. Out of the box, this table is not populated with Agile PLM data. The table is populated only when the Agile PLM attributes are mapped using BI Configurator.

Column	Type	Comments
DATASOURCE_NUM_ID	NUMBER	Reserved. This column, in future releases, will uniquely identify the source system from which data was extracted.
ENABLE	NUMBER	This flag indicates whether the Member is deleted or not enabled. 1 for yes and 0 for no. [Agile PLM] This field is derived and cannot be mapped to another Agile PLM attribute.
INTEGRATION_ID	VARCHAR2	Reserved. This column, in future releases, will be used to uniquely identify dimension or fact entity in its source system.
LAST_MODIFIED_DATE	DATE	Last Modified Date. [Agile PLM] This field is derived and cannot be mapped to another Agile PLM attribute.
LIST_ID	NUMBER	List ID associated with attribute.
NAME	VARCHAR2	Audit Standard Name
PQM_AUDIT_STANDARD_ID	NUMBER	Audit Standard. Primary key that uniquely identifies the record.
ROW_ID	NUMBER	Reserved. In future releases, this will store Surrogate key to uniquely identify a record.

**PQM\_AUDIT\_SUPPLIER\_B**

Audit and Supplier Bridge Table. Maintains data between Audit and Supplier to resolve Many to many relationships. Out of the box, this table is not populated with Agile PLM data. The table is populated when Agile PLM Multilist type attribute is configured to corresponding column in the Fact table using BI Configurator.

Column	Type	Comments
DATASOURCE_NUM_ID	NUMBER	Reserved. This column, in future releases, will uniquely identify the source system from which data was extracted.
INTEGRATION_ID	VARCHAR2	Reserved. This column, in future releases, will be used to uniquely identify dimension or fact entity in its source system.
PQM_AUDIT_ID	NUMBER	PQM Audit ID. Foreign key to PQM_AUDIT_F.
ROW_ID	NUMBER	Reserved. In future releases, this will store Surrogate key to uniquely identify a record.
SUPPLIER_ID	NUMBER	Supplier ID. Foreign key to SUPPLIER_D.

**PQM\_AUDIT\_TYPE\_D**

Audit Type Dimension Table. This table is conforming across Fact tables in Audit Subject Area. Out of the box, the table is mapped to the Agile PLM type or subclass attribute of Audit Class.

Column	Type	Comments
DATASOURCE_NUM_ID	NUMBER	Reserved. This column, in future releases, will uniquely identify the source system from which data was extracted.
ENABLE	NUMBER	This flag indicates whether the Member is deleted or not enabled. 1 for yes and 0 for no. [Agile PLM] This field is derived and cannot be mapped to another Agile PLM attribute.
INTEGRATION_ID	VARCHAR2	Reserved. This column, in future releases, will be used to uniquely identify dimension or fact entity in its source system.
LAST_MODIFIED_DATE	DATE	Last Modified Date. [Agile PLM] This field is derived and cannot be mapped to another Agile PLM attribute.
LIST_ID	NUMBER	List ID associated with attribute.
NAME	VARCHAR2	Audit Type Name
PQM_AUDIT_TYPE_ID	NUMBER	Primary Key for the Dimension Table. Primary key that uniquely identifies the record.
ROW_ID	NUMBER	Reserved. In future releases, this will store Surrogate key to uniquely identify a record.

**PQM\_AUDIT\_WORKFLOW\_D**

Audit Workflow Dimension Table. This table is conforming across Fact tables in Audit Subject Area. Out of the box, this table contains all the Agile PLM workflows assigned to Audit and the states within each of the workflow.

Column	Type	Comments
DATASOURCE_NUM_ID	NUMBER	Reserved. This column, in future releases, will uniquely identify the source system from which data was extracted.
ENABLE	NUMBER	This flag indicates whether the Member is deleted or not enabled. 1 for yes and 0 for no. [Agile PLM] This field is derived and cannot be mapped to another Agile PLM attribute.
INTEGRATION_ID	VARCHAR2	Reserved. This column, in future releases, will be used to uniquely identify dimension or fact entity in its source system.
LIST_ID	NUMBER	List ID associated with attribute.
PQM_AUDIT_WORKFLOW_ID	NUMBER	Primary Key for the Dimension Table. Primary key that uniquely identifies the record.
ROW_ID	NUMBER	Reserved. In future releases, this will store Surrogate key to uniquely identify a record.
WORKFLOW	VARCHAR2	Name of the workflow.
WORKFLOW_ID	NUMBER	Workflow Key.
WORKFLOW_STATE	VARCHAR2	Name of the workflow state.
WORKFLOW_STATE_ID	NUMBER	Workflow State Key.
WORKFLOW_TYPE	VARCHAR2	Name of the workflow type.

**PQM\_AUDIT\_WORKFLOW\_DETAIL\_DATA**

Audit Workflow Detailed Data Table. This table holds the details of the workflow such as status cycle time, status cycle time in progress for each combination of workflow states.

Column	Type	Comments
CUR_WKFLW_STATE_FLG	NUMBER	
DATASOURCE_NUM_ID	NUMBER	Reserved. This column, in future releases, will uniquely identify the source system from which data was extracted.
DURATION_DAYS	NUMBER	To indicate the age of the PR if not released. Or the duration when it is released. (Released date-Originated Date) and if the Release date is null it is System date or ETL Run date - Originated date. [Agile PLM] This field is derived and cannot be mapped to another Agile PLM attribute.
ENTRY_TIME_ID	NUMBER	Entry time of the From Workflow State. [Agile PLM] This field is derived and cannot be mapped to another Agile PLM attribute.
EXIT_TIME_ID	NUMBER	Exit time of the From Workflow State. [Agile PLM] This field is derived and cannot be mapped to another Agile PLM attribute.
FROM_PQM_AUDIT_WORKFLOW_ID	NUMBER	All Possible start states of Workflow. Foreign key to PQM_AUDIT_WORKFLOW_D.PQM_AUDIT_WORKFLOW_ID. [Agile PLM] This field is derived and cannot be mapped to another Agile PLM attribute.
INTEGRATION_ID	VARCHAR2	Reserved. This column, in future releases, will be used to uniquely identify dimension or fact entity in its source system.
OPEN_FLAG	NUMBER	This flag indicates whether the object is open, where the object has exited to the TO workflow state. 1 for yes and 0 for no. [Agile PLM] This field is derived and cannot be mapped to another Agile PLM attribute.
PQM_AUDIT_ID	NUMBER	PQM Audit ID. Foreign key to PQM_AUDIT_F. [Agile PLM] This field cannot be mapped to another Agile PLM attribute.
PQM_AUDIT_WORKFLOW_ID	NUMBER	Foreign key to PQM_AUDIT_WORKFLOW_D. [Agile PLM] This field is derived and cannot be mapped to another Agile PLM attribute.
ROW_ID	NUMBER	Reserved. In future releases, this will store Surrogate key to uniquely identify a record.
TO_PQM_AUDIT_WORKFLOW_ID	NUMBER	All Possible end states of Workflow. Foreign key to PQM_AUDIT_WORKFLOW_D.PQM_AUDIT_WORKFLOW_ID. [Agile PLM] This field is derived and cannot be mapped to another Agile PLM attribute.

**PQM\_CAPA\_BUSINESS\_RISK\_D**

Corrective and Preventive Actions (CAPA) Business Risks Dimension Table. This table is conforming across Fact tables in CAPA Subject Area. Out of the box, this table is not populated with Agile PLM data. The table is populated only when the Agile PLM attributes are mapped using BI Configurator.

Column	Type	Comments
DATASOURCE_NUM_ID	NUMBER	Reserved. This column, in future releases, will uniquely identify the source system from which data was extracted.
ENABLE	NUMBER	This flag indicates whether the Member is deleted or not enabled. 1 for yes and 0 for no. [Agile PLM] This field is derived and cannot be mapped to another Agile PLM attribute.
INTEGRATION_ID	VARCHAR2	Reserved. This column, in future releases, will be used to uniquely identify dimension or fact entity in its source system.
LAST_MODIFIED_DATE	DATE	Last Modified Date. [Agile PLM] This field is derived and cannot be mapped to another Agile PLM attribute.
LIST_ID	NUMBER	List ID associated with attribute.
NAME	VARCHAR2	Corrective and Preventive Action Business Risk Name
PQM_CAPA_BUSINESS_RISK_ID	NUMBER	CAPA Business Risk. Primary key that uniquely identifies the record.
ROW_ID	NUMBER	Reserved. In future releases, this will store Surrogate key to uniquely identify a record.

**PQM\_CAPA\_CATEGORY\_D**

CAPA Category Dimension Table. This table is conforming across Fact tables in CAPA Subject Area. Out of the box, the table is mapped to the Agile PLM List configured to Category attribute of CAPA Class.

Column	Type	Comments
DATASOURCE_NUM_ID	NUMBER	Reserved. This column, in future releases, will uniquely identify the source system from which data was extracted.
ENABLE	NUMBER	This flag indicates whether the Member is deleted or not enabled. 1 for yes and 0 for no. [Agile PLM] This field is derived and cannot be mapped to another Agile PLM attribute.
INTEGRATION_ID	VARCHAR2	Reserved. This column, in future releases, will be used to uniquely identify dimension or fact entity in its source system.
LAST_MODIFIED_DATE	DATE	Last Modified Date. [Agile PLM] This field is derived and cannot be mapped to another Agile PLM attribute.
LIST_ID	NUMBER	List ID associated with attribute.
NAME	VARCHAR2	Corrective and Preventive Action Category Name
PQM_CAPA_CATEGORY_ID	NUMBER	Primary Key for the Dimension Table. Primary key that uniquely identifies the record.
ROW_ID	NUMBER	Reserved. In future releases, this will store Surrogate key to uniquely identify a record.

**PQM\_CAPA\_CORRECTIVE\_ACTION\_D**

CAPA Corrective Action Dimension Table. This table is conforming across Fact tables in CAPA Subject Area. Out of the box, this table is not populated with Agile PLM data. The table is populated only when the Agile PLM attributes are mapped using BI Configurator.

Column	Type	Comments
DATASOURCE_NUM_ID	NUMBER	Reserved. This column, in future releases, will uniquely identify the source system from which data was extracted.
ENABLE	NUMBER	This flag indicates whether the Member is deleted or not enabled. 1 for yes and 0 for no. [Agile PLM] This field is derived and cannot be mapped to another Agile PLM attribute.
INTEGRATION_ID	VARCHAR2	Reserved. This column, in future releases, will be used to uniquely identify dimension or fact entity in its source system.
LAST_MODIFIED_DATE	DATE	Last Modified Date. [Agile PLM] This field is derived and cannot be mapped to another Agile PLM attribute.
LIST_ID	NUMBER	List ID associated with attribute.
NAME	VARCHAR2	Corrective and Preventive Action Corrective Action Name
PQM_CAPA_CORRECTIVE_ACTION_ID	NUMBER	Primary Key for the Dimension Table. Primary key that uniquely identifies the record.
ROW_ID	NUMBER	Reserved. In future releases, this will store Surrogate key to uniquely identify a record.

**PQM\_CAPA\_CUSTOMER\_B**

CAPA Customer Bridge Table. Maintains data between CAPA and Customer to resolve many to many relationships. Out of the box, this table is not populated with Agile PLM data. The table is populated when Agile PLM Multilist type attribute is configured to corresponding column in the Fact table using BI Configurator.

Column	Type	Comments
CUSTOMER_ID	NUMBER	Customer ID. Foreign key to CUSTOMER_D.
DATASOURCE_NUM_ID	NUMBER	Reserved. This column, in future releases, will uniquely identify the source system from which data was extracted.
INTEGRATION_ID	VARCHAR2	Reserved. This column, in future releases, will be used to uniquely identify dimension or fact entity in its source system.
PQM_CAPA_ID	NUMBER	PQM CAPA ID. Foreign key to PQM_CAPA_F.
ROW_ID	NUMBER	Reserved. In future releases, this will store Surrogate key to uniquely identify a record.

**PQM\_CAPA\_F**

CAPA Fact Table. This is the core fact table for CAPA which has Volume, Aging and Cycle time related measures.

Column	Type	Comments
CANCEL_FLAG	NUMBER	This flag indicates whether this object is cancelled. 1 for yes and 0 for no. [Agile PLM] This field is derived and cannot be mapped to another Agile PLM attribute.
CHANGE_FLAG	NUMBER	This flag indicates whether this object has a CHANGE associated with it. 1 for yes and 0 for no. [Agile PLM] This field is derived and cannot be mapped to another Agile PLM attribute.
COMPLETE_FLAG	NUMBER	This flag indicates whether this object is complete. 1 for yes and 0 for no. [Agile PLM] This field is derived and cannot be mapped to another Agile PLM attribute.
CURRENT_OWNER_USER_ID	NUMBER	The owner of the CAPA at that moment, at any point of time there should be one. Foreign key to USER_D.USER_ID. [Agile PLM] This field is derived and cannot be mapped to another Agile PLM attribute.
DATASOURCE_NUM_ID	NUMBER	Reserved. This column, in future releases, will uniquely identify the source system from which data was extracted.
DESCRIPTION	VARCHAR2	Description. [Agile PLM] This field maps to the "Description" attribute in Quality Change Request class. This column cannot be re-mapped to another Agile PLM attribute.
DURATION_DAYS	NUMBER	To indicate the age of the CAPA if not released. Or the duration when it is released. (Released date-Origated Date) and if the Release date is null it is System date or ETL Run date - Origated date. [Agile PLM] This field is derived and cannot be mapped to another Agile PLM attribute.
EXPT_CMPL_TIME_ID	NUMBER	Expected compliance time in Julian Date format.
FINAL_COMPLETE_TIME_ID	NUMBER	Final complete date in Julian date format. [Agile PLM] This field maps to the "Final Complete Date" attribute in Quality Change Request class. This column cannot be re-mapped to another Agile PLM attribute.
INTEGRATION_ID	VARCHAR2	Reserved. This column, in future releases, will be used to uniquely identify dimension or fact entity in its source system.
INT_ORGANIZATION_ID	NUMBER	Internal organisation. Foreign key to INT_ORGANIZATION_D.INT_ORGANIZATION_ID. [Agile PLM] This field is derived and cannot be mapped to another Agile PLM attribute.
LAST_MODIFIED_DATE	DATE	Last Modified Date. Maps to the UPDATE_DATE attribute in QCR_CAPA class. [Agile PLM] This field is derived and cannot be mapped to another Agile PLM attribute.
NCR_FLAG	NUMBER	This flag indicates whether the object has a NCR. 1 for yes and 0 for no. [Agile PLM] This field is derived and cannot be mapped to another Agile PLM attribute.
NO_OF_AUDIT_FINDING_TYPE_1	NUMBER	Number of Audit Finding Type 1. [Agile PLM] Out of the box this defined column is not mapped to any Agile PLM attributes. Use the BI Configurator to map this column to an Agile PLM attribute.
NO_OF_AUDIT_FINDING_TYPE_2	NUMBER	Number of Audit Finding Type 2. [Agile PLM] Out of the box this defined column is not mapped to any Agile PLM attributes. Use the BI Configurator to map this column to an Agile PLM attribute.
NO_OF_AUDIT_FINDING_TYPE_3	NUMBER	Number of Audit Finding Type 3. [Agile PLM] Out of the box this defined column is not mapped to any Agile PLM attributes. Use the BI Configurator to map this column to an Agile PLM attribute.
NO_OF_AUDIT_FINDING_TYPE_4	NUMBER	Number of Audit Finding Type 4. [Agile PLM] Out of the box this defined column is not mapped to any Agile PLM attributes. Use the BI Configurator to map this column to an Agile PLM attribute.

ORIGINATED_TIME_ID	NUMBER	Originated date or Create date in Julian date format. [Agile PLM] This field maps to the "Date Originated" attribute in Quality Change Request class. This column cannot be re-mapped to another Agile PLM attribute.
ORIGINATOR_USER_ID	NUMBER	Originator user. Foreign key to USER_D.USER_ID. [Agile PLM] This field maps to the "Originator" attribute in Quality Change Request class. This column cannot be re-mapped to another Agile PLM attribute.
ORIG_CMPL_DAYS	NUMBER	Duaration between Final complete date and Originated date excluding days spent in Hold state when Final complete date is not null and Duration between System date or ETL run date and Originated Date excluding days spent in Hold state when Final complete is null. [Agile PLM] This field is derived and cannot be mapped to another Agile PLM attribute.
ORIG_CMPL_HOLD_DURATION_DAYS	NUMBER	Duration between the final complete date and the originated date when the final date is not null. The duration between the system date or the ETL run date and the originated date when the final complete date is null. [Agile PLM] This field is derived and cannot be mapped to another Agile PLM attribute.
ORIG_RLSE_DAYS	NUMBER	Duration between Released date and Originated date when Released Date is not null and Duration between System date or ETL run date and Originated date when Released date is null excluding the days spent in Hold state. [Agile PLM] This field is derived and cannot be mapped to another Agile PLM attribute.
ORIG_RLSE_HOLD_DURATION_DAYS	NUMBER	Duration between the release date and the originated date when the final date is not null. The duration between the system date or the ETL run date and the originated date when the release date is null. [Agile PLM] This field is derived and cannot be mapped to another Agile PLM attribute.
PLANNED_AUDIT_TIME_ID	NUMBER	Planned audit date in Julian Date format. [Agile PLM] This field maps to the "Planned Audit Date" attribute in Quality Change Request class. This column cannot be re-mapped to another Agile PLM attribute.
PQM_AUDIT_RESULT_ID	NUMBER	Audit Result ID. Foreign key to PQM_AUDIT_RESULT_D.PQM_AUDIT_RESULT_ID. [Agile PLM] This field maps to the "Audit Result" attribute in Quality Change Request class. This column cannot be re-mapped to another Agile PLM attribute.
PQM_CAPA_BUSINESS_RISK_ID	NUMBER	CAPA Business Risk. Foreign key to PQM_CAPA_BUSINESS_RISK_D.PQM_CAPA_BUSINESS_RISK_ID. [Agile PLM] This field cannot be mapped to another Agile PLM attribute.
PQM_CAPA_CATEGORY_ID	NUMBER	CAPA Category ID. Foreign key to PQM_CAPA_CATEGORY_D.PQM_CAPA_CATEGORY_ID. [Agile PLM] This field maps to the "Category" attribute in Quality Change Request class. This column cannot be re-mapped to another Agile PLM attribute.
PQM_CAPA_CORRECTIVE_ACTION_ID	NUMBER	Corrective action taken for the problem. Foreign key to PQM_CAPA_CORRECTIVE_ACTION_D.PQM_CAPA_CORRECTIVE_ACTION_ID. [Agile PLM] This field is derived and cannot be mapped to another Agile PLM attribute.
PQM_CAPA_ID	NUMBER	Primary key for the table. [Agile PLM] This field maps to the ID attribute in QCR_CAPA class.
PQM_CAPA_LOCATION_ID	NUMBER	CAPA Location. Foreign key to PQM_CAPA_LOCATION_D.PQM_CAPA_LOCATION_ID. [Agile PLM] This field cannot be mapped to another Agile PLM attribute.
PQM_CAPA_NO	VARCHAR2	CAPA. [Agile PLM] This field maps to the "QCR Number" attribute in Quality Change Request class. This column cannot be re-mapped to another Agile PLM attribute.
PQM_CAPA_PRBL_SOL_METHOD_ID	NUMBER	CAPA Problem Solution Method. Foreign key to PQM_CAPA_PRBL_SOL_METHOD_D.PQM_CAPA_PRBL_SOL_METHOD_ID. [Agile PLM] This field cannot be mapped to another Agile PLM attribute.

PQM_CAPA_PREVENTIVE_ACTION_ID	NUMBER	Preventive action to prevent the problem from happening. Foreign key to PQM_CAPA_PREVENTIVE_ACTION_D.PQM_CAPA_PREVENTIVE_ACTION_ID. [Agile PLM] This field is derived and cannot be mapped to another Agile PLM attribute.
PQM_CAPA_PRIORITY_ID	NUMBER	CAPA Priority. Foreign key to PQM_CAPA_PRIORITY_D.PQM_CAPA_PRIORITY_ID. [Agile PLM] This field maps to the PRIORITY_ID attribute. This field cannot be mapped to another Agile PLM attribute.
PQM_CAPA_REG_RISK_ID	NUMBER	CAPA Registered Risk. Foreign key to PQM_CAPA_REG_RISK_D.PQM_CAPA_REG_RISK_ID. [Agile PLM] This field cannot be mapped to another Agile PLM attribute.
PQM_CAPA_ROOT_CAUSE_ID	NUMBER	Represents the root cause of the problem. Foreign key to PQM_CAPA_ROOT_CAUSE_D.PQM_CAPA_ROOT_CAUSE_ID. [Agile PLM] This field is derived and cannot be mapped to another Agile PLM attribute.
PQM_CAPA_TYPE_ID	NUMBER	CAPA Type ID. Foreign key to PQM_CAPA_TYPE_D.PQM_CAPA_TYPE_ID. [Agile PLM] This field maps to the "QCR Type" attribute in Quality Change Request class. This column cannot be re-mapped to another Agile PLM attribute.
PQM_CAPA_WORKFLOW_ID	NUMBER	Workflow ID. Foreign key to PQM_CAPA_WORKFLOW_D.PQM_CAPA_WORKFLOW_ID. [Agile PLM] This field is derived and cannot be mapped to another Agile PLM attribute.
PQM_QUALITY_ANALYST_USER_ID	NUMBER	Quality Analyst User ID. Foreign key to USER_D.USER_ID. [Agile PLM] This field maps to the "Quality Administrator" attribute in Quality Change Request class. This column cannot be re-mapped to another Agile PLM attribute.
PR_FLAG	NUMBER	If there is a PR associated to it its 1 else 0. [Agile PLM] This field is derived and cannot be mapped to another Agile PLM attribute.
RELEASED_FLAG	NUMBER	This flag is set to "Yes" or "1", if the object workflow is in Released state. Which is available from workflow tab of object. [Agile PLM] This field is derived and cannot be mapped to another Agile PLM attribute.
RELEASED_TIME_ID	NUMBER	Release date in Julian date format. [Agile PLM] This field maps to the "Date Released" attribute in Quality Change Request class. This column cannot be re-mapped to another Agile PLM attribute.
REVIEW_TIME_ID	NUMBER	Review date when the team reviews the CAPA case. [Agile PLM] This field is derived and cannot be mapped to another Agile PLM attribute.
ROW_ID	NUMBER	Reserved. In future releases, this will store Surrogate key to uniquely identify a record.
SBMT_CMPL_DAYS	NUMBER	Duration between Final complete date and Submit date excluding the days spent in Hold state when Final complete date is not null and Duration between System date or ETL run date and Submit date excluding the days spent in Hold state when Final complete date is null. [Agile PLM] This field is derived and cannot be mapped to another Agile PLM attribute.
SBMT_CMPL_HOLD_DURATION_DAYS	NUMBER	Duration between Final Complete date and Submit date when Final Complete date is not null and Duration between System date or ETL run date and Submit date when Final Complete date is null. [Agile PLM] This field is derived and cannot be mapped to another Agile PLM attribute.
SBMT_RLSE_DAYS	NUMBER	Duration between Released date and Submit date excluding the days spent in Hold state when Released date is not null and Duration between System date or ETL run date and Submit date excluding the days spent in Hold state when Released date is null. [Agile PLM] This field is derived and cannot be mapped to another Agile PLM attribute.
SBMT_RLSE_HOLD_DURATION_DAYS	NUMBER	Duration between Released date and Submit date when Released date is not null and Duration between System date or ETL run date and Submit date when Released date is null. [Agile PLM] This field is derived and cannot be mapped to another Agile PLM attribute.

SOFT_DELETE_FLAG	NUMBER	This flag indicates whether the object is soft-deleted. 1 for yes and 0 for no. [Agile PLM] This field is derived and cannot be mapped to another Agile PLM attribute.
SUBMITTED_TIME_ID	NUMBER	Submit date in Julian date format. [Agile PLM] This field maps to the "Date Submitted" attribute in Quality Change Request class. This column cannot be remapped to another Agile PLM attribute.
SUPPLIER_AUDIT_SCORE_1	NUMBER	Supplier Audit Score 1. [Agile PLM] Out of the box this defined column is not mapped to any Agile PLM attributes. Use the BI Configurator to map this column to an Agile PLM attribute.
SUPPLIER_AUDIT_SCORE_2	NUMBER	Supplier audit score.
SUPPLIER_AUDIT_SCORE_3	NUMBER	Supplier Audit Score 3. [Agile PLM] Out of the box this defined column is not mapped to any Agile PLM attributes. Use the BI Configurator to map this column to an Agile PLM attribute.
VALID_FLAG	NUMBER	This flag indicates whether this object is valid. 1 for yes and 0 for no. [Agile PLM] This field is derived and cannot be mapped to another Agile PLM attribute.

**PQM\_CAPA\_FUNCTION\_B**

CAPA Function Bridge Table. Maintains data between CAPA and Function to resolve Many to many relationships. Out of the box, this table is not populated with Agile PLM data. The table is populated when Agile PLM Multilist type attribute is configured to corresponding column in the Fact table using BI Configurator.

Column	Type	Comments
DATASOURCE_NUM_ID	NUMBER	Reserved. This column, in future releases, will uniquely identify the source system from which data was extracted.
INTEGRATION_ID	VARCHAR2	Reserved. This column, in future releases, will be used to uniquely identify dimension or fact entity in its source system.
PQM_CAPA_FUNCTION_ID	NUMBER	CAPA Function.
PQM_CAPA_ID	NUMBER	CAPA.
ROW_ID	NUMBER	Reserved. In future releases, this will store Surrogate key to uniquely identify a record.

**PQM\_CAPA\_FUNCTION\_D**

CAPA Functions Dimension Table. This table is conforming across Fact tables in CAPA Subject Area. Out of the box, this table is not populated with Agile PLM data. The table is populated only when the Agile PLM attributes are mapped using BI Configurator.

Column	Type	Comments
DATASOURCE_NUM_ID	NUMBER	Reserved. This column, in future releases, will uniquely identify the source system from which data was extracted.
ENABLE	NUMBER	This flag indicates whether the Member is deleted or not enabled. 1 for yes and 0 for no. [Agile PLM] This field is derived and cannot be mapped to another Agile PLM attribute.
INTEGRATION_ID	VARCHAR2	Reserved. This column, in future releases, will be used to uniquely identify dimension or fact entity in its source system.
LAST_MODIFIED_DATE	DATE	Last Modified Date. [Agile PLM] This field is derived and cannot be mapped to another Agile PLM attribute.
LIST_ID	NUMBER	List ID associated with attribute.
NAME	VARCHAR2	Corrective and Preventive Action Function Name
PQM_CAPA_FUNCTION_ID	NUMBER	CAPA Function. Primary key that uniquely identifies the record.
ROW_ID	NUMBER	Reserved. In future releases, this will store Surrogate key to uniquely identify a record.

**PQM\_CAPA\_ITEM\_DATA**

CAPA Item Data Table. Reserved for ETL process. Temporary table used for configuring flex attributes between Item and CAPA relationship.

Column	Type	Comments
AFFECTED_SITE_ID	NUMBER	Affected Site. Foreign key to SITE_D.SITE_ID. [Agile PLM] This field maps to the "Affected Site" attribute in Quality Change Request class in Affected Item tab. This field cannot be re-mapped to another Agile PLM attribute.
DATASOURCE_NUM_ID	NUMBER	Reserved. This column, in future releases, will uniquely identify the source system from which data was extracted.
ID	NUMBER	
INTEGRATION_ID	VARCHAR2	Reserved. This column, in future releases, will be used to uniquely identify dimension or fact entity in its source system.
ITEM_CATEGORY_ID	NUMBER	Item category. Foreign key to ITEM_CATEGORY_D.ITEM_CATEGORY_ID. [Agile PLM] This field maps to the "Category" attribute in Quality Change Request class in Affected Item tab. This field cannot be re-mapped to another Agile PLM attribute.
ITEM_COMMODITY_ID	NUMBER	Item commodity. Foreign key to ITEM_COMMODITY_D.ITEM_COMMODITY_ID. [Agile PLM] This field maps to the "Commodity" attribute in Quality Change Request class in Affected Item tab. This field cannot be re-mapped to another Agile PLM attribute.
ITEM_ID	NUMBER	Item ID. Foreign key to ITEM_D.ITEM_ID.
ITEM_LIFECYCLE_STATE_ID	NUMBER	Item lifecycle state. [Agile PLM] This field maps to the "Item Lifecycle State" attribute in Quality Change Request class in Affected Item tab. This field cannot be re-mapped to another Agile PLM attribute.
ITEM_PART_FAMILY_ID	NUMBER	Item part family. Foreign key to ITEM_PART_FAMILY_D.ITEM_PART_FAMILY_ID. [Agile PLM] This field maps to the PART_FAMILY_ID attribute in ITEM class in Affected Item tab. This field cannot be re-mapped to another Agile PLM attribute.
ITEM_SIZE_ID	NUMBER	Item size. Foreign key to ITEM_SIZE_D.ITEM_SIZE_ID. [Agile PLM] This field maps to the DOCSIZE attribute in ITEM class in Affected Item tab. This field cannot be re-mapped to another Agile PLM attribute.
ITEM_TYPE_ID	NUMBER	Item type. Foreign key to ITEM_TYPE_D.ITEM_TYPE_ID. [Agile PLM] This field maps to the SUBCLASS_ID attribute in ITEM class in Affected Item tab. This field cannot be re-mapped to another Agile PLM attribute.
LATEST_CHANGE_NO	VARCHAR2	
PQM_CAPA_ID	NUMBER	CAPA ID. [Agile PLM] This field maps to the "ID" attribute in Quality Change Request class in Affected Item tab. This field cannot be re-mapped to another Agile PLM attribute.
REV_ID	NUMBER	Revision this object is associated with. Foreign key to ITEM_REV_D.ITEM_REV_ID. [Agile PLM] This field maps to the "Item Rev" attribute in Quality Change Request class in Affected Item tab. This field cannot be re-mapped to another Agile PLM attribute.
ROW_ID	NUMBER	Reserved. In future releases, this will store Surrogate key to uniquely identify a record.
TLA_FLAG	NUMBER	This flag is set to "Yes" or "1", if the item Object is a Shippable Item. [Agile PLM] This field maps to the "TLA Flag" attribute in Quality Change Request class in Affected Item tab. This field cannot be re-mapped to another Agile PLM attribute.

**PQM\_CAPA\_ITEM\_PRODUCTLINE\_B**

CAPA Item Productline Bridge Table. Maintains data between CAPA Item fact table and Item Productline dimension table to resolve many to many relationships. Out of the box, this table is not populated with Agile PLM data. The table is populated when Agile PLM Multilist type attribute is configured to corresponding column in the Fact table using BI Configurator.

Column	Type	Comments
DATASOURCE_NUM_ID	NUMBER	Reserved. This column, in future releases, will uniquely identify the source system from which data was extracted.
INTEGRATION_ID	VARCHAR2	Reserved. This column, in future releases, will be used to uniquely identify dimension or fact entity in its source system.
ITEM_ID	NUMBER	Item ID. Foreign key to ITEM_D.
ITEM_PRODUCTLINE_ID	NUMBER	Item Productline ID. Foreign key to ITEM_PRODUCTLINE_D.
ROW_ID	NUMBER	Reserved. In future releases, this will store Surrogate key to uniquely identify a record.

**PQM\_CAPA\_LOCATION\_D**

CAPA Locations Dimension Table. This table is conforming across Fact tables in CAPA Subject Area. Out of the box, this table is not populated with Agile PLM data. The table is populated only when the Agile PLM attributes are mapped using BI Configurator.

Column	Type	Comments
DATASOURCE_NUM_ID	NUMBER	Reserved. This column, in future releases, will uniquely identify the source system from which data was extracted.
ENABLE	NUMBER	This flag indicates whether the Member is deleted or not enabled. 1 for yes and 0 for no. [Agile PLM] This field is derived and cannot be mapped to another Agile PLM attribute.
INTEGRATION_ID	VARCHAR2	Reserved. This column, in future releases, will be used to uniquely identify dimension or fact entity in its source system.
LAST_MODIFIED_DATE	DATE	Last Modified Date. [Agile PLM] This field is derived and cannot be mapped to another Agile PLM attribute.
LIST_ID	NUMBER	List ID associated with attribute.
NAME	VARCHAR2	Corrective and Preventive Action Location Name
PQM_CAPA_LOCATION_ID	NUMBER	CAPA Location. Primary key that uniquely identifies the record.
ROW_ID	NUMBER	Reserved. In future releases, this will store Surrogate key to uniquely identify a record.

**PQM\_CAPA\_PRBL\_SOL\_METHOD\_D**

CAPA Problem Solving Methods Dimension Table. This table is conforming across Fact tables in CAPA Subject Area. Out of the box, this table is not populated with Agile PLM data. The table is populated only when the Agile PLM attributes are mapped using BI Configurator.

Column	Type	Comments
DATASOURCE_NUM_ID	NUMBER	Reserved. This column, in future releases, will uniquely identify the source system from which data was extracted.
ENABLE	NUMBER	This flag indicates whether the Member is deleted or not enabled. 1 for yes and 0 for no. [Agile PLM] This field is derived and cannot be mapped to another Agile PLM attribute.
INTEGRATION_ID	VARCHAR2	Reserved. This column, in future releases, will be used to uniquely identify dimension or fact entity in its source system.
LAST_MODIFIED_DATE	DATE	Last Modified Date. [Agile PLM] This field is derived and cannot be mapped to another Agile PLM attribute.
LIST_ID	NUMBER	List ID associated with attribute.
NAME	VARCHAR2	Corrective and Preventive Action Problem Solution Method Name
PQM_CAPA_PRBL_SOL_METHOD_ID	NUMBER	CAPA Problem Solution Method. Primary key that uniquely identifies the record.
ROW_ID	NUMBER	Reserved. In future releases, this will store Surrogate key to uniquely identify a record.

**PQM\_CAPA\_PREVENTIVE\_ACTION\_D**

CAPA Preventive Action Dimension Table. This table is conforming across Fact tables in CAPA Subject Area. Out of the box, this table is not populated with Agile PLM data. The table is populated only when the Agile PLM attributes are mapped using BI Configurator.

Column	Type	Comments
DATASOURCE_NUM_ID	NUMBER	Reserved. This column, in future releases, will uniquely identify the source system from which data was extracted.
ENABLE	NUMBER	This flag indicates whether the Member is deleted or not enabled. 1 for yes and 0 for no. [Agile PLM] This field is derived and cannot be mapped to another Agile PLM attribute.
INTEGRATION_ID	VARCHAR2	Reserved. This column, in future releases, will be used to uniquely identify dimension or fact entity in its source system.
LAST_MODIFIED_DATE	DATE	Last Modified Date. [Agile PLM] This field is derived and cannot be mapped to another Agile PLM attribute.
LIST_ID	NUMBER	List ID associated with attribute.
NAME	VARCHAR2	Corrective and Preventive Action Preventive Action Name
PQM_CAPA_PREVENTIVE_ACTION_ID	NUMBER	Primary Key for the Dimension Table. Primary key that uniquely identifies the record.
ROW_ID	NUMBER	Reserved. In future releases, this will store Surrogate key to uniquely identify a record.

**PQM\_CAPA\_PRIORITY\_D**

CAPA Priorities Dimension table. This table is conforming across Fact tables in CAPA Subject Area. Out of the box, this table is not populated with Agile PLM data. The table is populated only when the Agile PLM attributes are mapped using BI Configurator.

Column	Type	Comments
DATASOURCE_NUM_ID	NUMBER	Reserved. This column, in future releases, will uniquely identify the source system from which data was extracted.
ENABLE	NUMBER	This flag indicates whether the Member is deleted or not enabled. 1 for yes and 0 for no. [Agile PLM] This field is derived and cannot be mapped to another Agile PLM attribute.
INTEGRATION_ID	VARCHAR2	Reserved. This column, in future releases, will be used to uniquely identify dimension or fact entity in its source system.
LAST_MODIFIED_DATE	DATE	Last Modified Date. [Agile PLM] This field is derived and cannot be mapped to another Agile PLM attribute.
LIST_ID	NUMBER	List ID associated with attribute.
NAME	VARCHAR2	Corrective and Preventive Action Priority Name
PQM_CAPA_PRIORITY_ID	NUMBER	CAPA Priority. Primary key that uniquely identifies the record.
ROW_ID	NUMBER	Reserved. In future releases, this will store Surrogate key to uniquely identify a record.

**PQM\_CAPA\_PRODUCTLINE\_B**

CAPA Productline Bridge Table. Maintains data between CAPA and Productline to resolve many to many relationships. Out of the box, this table is not populated with Agile PLM data. The table is populated when Agile PLM Multilist type attribute is configured to corresponding column in the Fact table using BI Configurator.

Column	Type	Comments
DATASOURCE_NUM_ID	NUMBER	Reserved. This column, in future releases, will uniquely identify the source system from which data was extracted.
INTEGRATION_ID	VARCHAR2	Reserved. This column, in future releases, will be used to uniquely identify dimension or fact entity in its source system.
PQM_CAPA_ID	NUMBER	PQM CAPA ID. Foreign key to PQM_CAPA_F.
PQM_PRODUCTLINE_ID	NUMBER	PQM Productline ID. Foreign key to PQM_PRODUCTLINE_D.
ROW_ID	NUMBER	Reserved. In future releases, this will store Surrogate key to uniquely identify a record.

**PQM\_CAPA\_QMS\_SECTION\_B**

CAPA QMS Section Bridge Table. Maintains data between CAPA and QMS Section to resolve Many to many relationships. Out of the box, this table is not populated with Agile PLM data. The table is populated when Agile PLM Multilist type attribute is configured to corresponding column in the Fact table using BI Configurator.

Column	Type	Comments
DATASOURCE_NUM_ID	NUMBER	Reserved. This column, in future releases, will uniquely identify the source system from which data was extracted.
INTEGRATION_ID	VARCHAR2	Reserved. This column, in future releases, will be used to uniquely identify dimension or fact entity in its source system.
PQM_CAPA_ID	NUMBER	CAPA.
PQM_CAPA_QMS_SECTION_ID	NUMBER	CAPA QMS Section.
ROW_ID	NUMBER	Reserved. In future releases, this will store Surrogate key to uniquely identify a record.

**PQM\_CAPA\_QMS\_SECTION\_D**

CAPA QMS Sections Dimension Table. This table is conforming across Fact tables in CAPA Subject Area. Out of the box, this table is not populated with Agile PLM data. The table is populated only when the Agile PLM attributes are mapped using BI Configurator.

Column	Type	Comments
DATASOURCE_NUM_ID	NUMBER	Reserved. This column, in future releases, will uniquely identify the source system from which data was extracted.
ENABLE	NUMBER	This flag indicates whether the Member is deleted or not enabled. 1 for yes and 0 for no. [Agile PLM] This field is derived and cannot be mapped to another Agile PLM attribute.
INTEGRATION_ID	VARCHAR2	Reserved. This column, in future releases, will be used to uniquely identify dimension or fact entity in its source system.
LAST_MODIFIED_DATE	DATE	Last Modified Date. [Agile PLM] This field is derived and cannot be mapped to another Agile PLM attribute.
LIST_ID	NUMBER	List ID associated with attribute.
NAME	VARCHAR2	Corrective and Preventive Action QMS Section Name
PQM_CAPA_QMS_SECTION_ID	NUMBER	CAPA QMS Section. Primary key that uniquely identifies the record.
ROW_ID	NUMBER	Reserved. In future releases, this will store Surrogate key to uniquely identify a record.

**PQM\_CAPA\_QMS\_STANDARD\_B**

CAPA QMS Standards Bridge Table. Maintains data between CAPA and QMS Standard to resolve Many to many relationships. Out of the box, this table is not populated with Agile PLM data. The table is populated when Agile PLM Multilist type attribute is configured to corresponding column in the Fact table using BI Configurator.

Column	Type	Comments
DATASOURCE_NUM_ID	NUMBER	Reserved. This column, in future releases, will uniquely identify the source system from which data was extracted.
INTEGRATION_ID	VARCHAR2	Reserved. This column, in future releases, will be used to uniquely identify dimension or fact entity in its source system.
PQM_CAPA_ID	NUMBER	CAPA.
PQM_CAPA_QMS_STANDARD_ID	NUMBER	CAPA QMS Standard.
ROW_ID	NUMBER	Reserved. In future releases, this will store Surrogate key to uniquely identify a record.

**PQM\_CAPA\_QMS\_STANDARD\_D**

CAPA QMS Standards Dimension Table. This table is conforming across Fact tables in CAPA Subject Area. Out of the box, this table is not populated with Agile PLM data. The table is populated only when the Agile PLM attributes are mapped using BI Configurator.

Column	Type	Comments
DATASOURCE_NUM_ID	NUMBER	Reserved. This column, in future releases, will uniquely identify the source system from which data was extracted.
ENABLE	NUMBER	This flag indicates whether the Member is deleted or not enabled. 1 for yes and 0 for no. [Agile PLM] This field is derived and cannot be mapped to another Agile PLM attribute.
INTEGRATION_ID	VARCHAR2	Reserved. This column, in future releases, will be used to uniquely identify dimension or fact entity in its source system.
LAST_MODIFIED_DATE	DATE	Last Modified Date. [Agile PLM] This field is derived and cannot be mapped to another Agile PLM attribute.
LIST_ID	NUMBER	List ID associated with attribute.
NAME	VARCHAR2	Corrective and Preventive Action QMS Standard Name
PQM_CAPA_QMS_STANDARD_ID	NUMBER	CAPA QMS Standard. Primary key that uniquely identifies the record.
ROW_ID	NUMBER	Reserved. In future releases, this will store Surrogate key to uniquely identify a record.

**PQM\_CAPA\_REG\_RISK\_D**

CAPA Regulatory Risks Dimension Table. This table is conforming across Fact tables in CAPA Subject Area. Out of the box, this table is not populated with Agile PLM data. The table is populated only when the Agile PLM attributes are mapped using BI Configurator.

Column	Type	Comments
DATASOURCE_NUM_ID	NUMBER	Reserved. This column, in future releases, will uniquely identify the source system from which data was extracted.
ENABLE	NUMBER	This flag indicates whether the Member is deleted or not enabled. 1 for yes and 0 for no. [Agile PLM] This field is derived and cannot be mapped to another Agile PLM attribute.
INTEGRATION_ID	VARCHAR2	Reserved. This column, in future releases, will be used to uniquely identify dimension or fact entity in its source system.
LAST_MODIFIED_DATE	DATE	Last Modified Date. [Agile PLM] This field is derived and cannot be mapped to another Agile PLM attribute.
LIST_ID	NUMBER	List ID associated with attribute.
NAME	VARCHAR2	Corrective and Preventive Action Regulatory Risk Name
PQM_CAPA_REG_RISK_ID	NUMBER	CAPA Registered Risk. Primary key that uniquely identifies the record.
ROW_ID	NUMBER	Reserved. In future releases, this will store Surrogate key to uniquely identify a record.

**PQM\_CAPA\_ROOT\_CAUSE\_D**

CAPA Root Cause Dimension Table. This table is conforming across Fact tables in CAPA Subject Area. Out of the box, this table is not populated with Agile PLM data. The table is populated only when the Agile PLM attributes are mapped using BI Configurator.

Column	Type	Comments
DATASOURCE_NUM_ID	NUMBER	Reserved. This column, in future releases, will uniquely identify the source system from which data was extracted.
ENABLE	NUMBER	This flag indicates whether the Member is deleted or not enabled. 1 for yes and 0 for no. [Agile PLM] This field is derived and cannot be mapped to another Agile PLM attribute.
INTEGRATION_ID	VARCHAR2	Reserved. This column, in future releases, will be used to uniquely identify dimension or fact entity in its source system.
LAST_MODIFIED_DATE	DATE	Last Modified Date. [Agile PLM] This field is derived and cannot be mapped to another Agile PLM attribute.
LIST_ID	NUMBER	List ID associated with attribute.
NAME	VARCHAR2	Corrective and Preventive Action Root Cause Name
PQM_CAPA_ROOT_CAUSE_ID	NUMBER	Primary Key for the Dimension Table. Primary key that uniquely identifies the record.
ROW_ID	NUMBER	Reserved. In future releases, this will store Surrogate key to uniquely identify a record.

***PQM\_CAPA\_SUPPLIER\_B***

CAPA Supplier Bridge Table. Maintains data between CAPA and Supplier to resolve Many to many relationships. Out of the box, this table is not populated with Agile PLM data. The table is populated when Agile PLM Multilist type attribute is configured to corresponding column in the Fact table using BI Configurator.

<b>Column</b>	<b>Type</b>	<b>Comments</b>
DATASOURCE_NUM_ID	NUMBER	Reserved. This column, in future releases, will uniquely identify the source system from which data was extracted.
INTEGRATION_ID	VARCHAR2	Reserved. This column, in future releases, will be used to uniquely identify dimension or fact entity in its source system.
PQM_CAPA_ID	NUMBER	PQM CAPA ID. Foreign key to PQM_CAPA_F.
ROW_ID	NUMBER	Reserved. In future releases, this will store Surrogate key to uniquely identify a record.
SUPPLIER_ID	NUMBER	Supplier ID. Foreign key to SUPPLIER_D.

**PQM\_CAPA\_TEAM\_B**

CAPA Team Bridge Table. Maintains data between CAPA and team to resolve Many to many relationships. Out of the box, this table is not populated with Agile PLM data. The table is populated when Agile PLM Multilist type attribute is configured to corresponding column in the Fact table using BI Configurator.

Column	Type	Comments
DATASOURCE_NUM_ID	NUMBER	Reserved. This column, in future releases, will uniquely identify the source system from which data was extracted.
INTEGRATION_ID	VARCHAR2	Reserved. This column, in future releases, will be used to uniquely identify dimension or fact entity in its source system.
PQM_CAPA_ID	NUMBER	CAPA.
PQM_CAPA_TEAM_ID	NUMBER	CAPA Team.
ROW_ID	NUMBER	Reserved. In future releases, this will store Surrogate key to uniquely identify a record.

**PQM\_CAPA\_TEAM\_D**

CAPA Teams Dimension Table. This table is conforming across Fact tables in CAPA Subject Area. Out of the box, this table is not populated with Agile PLM data. The table is populated only when the Agile PLM attributes are mapped using BI Configurator.

Column	Type	Comments
DATASOURCE_NUM_ID	NUMBER	Reserved. This column, in future releases, will uniquely identify the source system from which data was extracted.
ENABLE	NUMBER	This flag indicates whether the Member is deleted or not enabled. 1 for yes and 0 for no. [Agile PLM] This field is derived and cannot be mapped to another Agile PLM attribute.
INTEGRATION_ID	VARCHAR2	Reserved. This column, in future releases, will be used to uniquely identify dimension or fact entity in its source system.
LAST_MODIFIED_DATE	DATE	Last Modified Date. [Agile PLM] This field is derived and cannot be mapped to another Agile PLM attribute.
LIST_ID	NUMBER	List ID associated with attribute.
NAME	VARCHAR2	Corrective and Preventive Action Team Name
PQM_CAPA_TEAM_ID	NUMBER	CAPA Team. Primary key that uniquely identifies the record.
ROW_ID	NUMBER	Reserved. In future releases, this will store Surrogate key to uniquely identify a record.

**PQM\_CAPA\_TYPE\_D**

CAPA Types or Subclasses Dimension table. This table is conforming across Fact tables in CAPA Subject Area. Out of the box, this table is mapped to the Agile PLM type or subclass attribute of CAPA Class.

Column	Type	Comments
DATASOURCE_NUM_ID	NUMBER	Reserved. This column, in future releases, will uniquely identify the source system from which data was extracted.
ENABLE	NUMBER	This flag indicates whether the Member is deleted or not enabled. 1 for yes and 0 for no. [Agile PLM] This field is derived and cannot be mapped to another Agile PLM attribute.
INTEGRATION_ID	VARCHAR2	Reserved. This column, in future releases, will be used to uniquely identify dimension or fact entity in its source system.
LAST_MODIFIED_DATE	DATE	Last Modified Date. [Agile PLM] This field is derived and cannot be mapped to another Agile PLM attribute.
LIST_ID	NUMBER	List ID associated with attribute.
NAME	VARCHAR2	Corrective and Preventive Action Type Name
PQM_CAPA_TYPE_ID	NUMBER	Primary Key for the Dimension Table. Primary key that uniquely identifies the record.
ROW_ID	NUMBER	Reserved. In future releases, this will store Surrogate key to uniquely identify a record.

**PQM\_CAPA\_WORKFLOW\_D**

CAPA Workflow Dimension Table. This table is conforming across Fact tables in CAPA Subject Area. Out of the box, the table contains all the Agile PLM workflows assigned to CAPA and the states within each of the workflow.

Column	Type	Comments
DATASOURCE_NUM_ID	NUMBER	Reserved. This column, in future releases, will uniquely identify the source system from which data was extracted.
ENABLE	NUMBER	This flag indicates whether the Member is deleted or not enabled. 1 for yes and 0 for no. [Agile PLM] This field is derived and cannot be mapped to another Agile PLM attribute.
INTEGRATION_ID	VARCHAR2	Reserved. This column, in future releases, will be used to uniquely identify dimension or fact entity in its source system.
LIST_ID	NUMBER	List ID associated with attribute.
PQM_CAPA_WORKFLOW_ID	NUMBER	Workflow ID. Foreign key to PQM_CAPA_WORKFLOW_D. Primary key that uniquely identifies the record. [Agile PLM] This field cannot be mapped to another Agile PLM attribute.
ROW_ID	NUMBER	Reserved. In future releases, this will store Surrogate key to uniquely identify a record.
WORKFLOW	VARCHAR2	Name of the workflow.
WORKFLOW_ID	NUMBER	Workflow Key.
WORKFLOW_STATE	VARCHAR2	Name of the workflow state.
WORKFLOW_STATE_ID	NUMBER	Workflow State Key.
WORKFLOW_TYPE	VARCHAR2	Name of the workflow type.

**PQM\_CAPA\_WORKFLOW\_DETAIL\_DATA**

CAPA Workflow Details Data Table. This table holds the details of the workflow such as status cycle time, status cycle time in progress for each combination of workflow states.

Column	Type	Comments
CUR_WKFLW_STATE_FLG	NUMBER	
DATASOURCE_NUM_ID	NUMBER	Reserved. This column, in future releases, will uniquely identify the source system from which data was extracted.
DURATION_DAYS	NUMBER	To indicate the age of the PR if not released. Or the duration when it is released. (Released date-Originated Date) and if the Release date is null it is System date or ETL Run date - Originated date. [Agile PLM] This field is derived and cannot be mapped to another Agile PLM attribute.
ENTRY_TIME_ID	NUMBER	Entry time of the From Workflow State. [Agile PLM] This field is derived and cannot be mapped to another Agile PLM attribute.
EXIT_TIME_ID	NUMBER	Exit time of the From Workflow State. [Agile PLM] This field is derived and cannot be mapped to another Agile PLM attribute.
FROM_PQM_CAPA_WORKFLOW_ID	NUMBER	All Possible start states of Workflow. Foreign key to PQM_CAPA_WORKFLOW_D.PQM_CAPA_WORKFLOW_ID. [Agile PLM] This field is derived and cannot be mapped to another Agile PLM attribute.
INTEGRATION_ID	VARCHAR2	Reserved. This column, in future releases, will be used to uniquely identify dimension or fact entity in its source system.
OPEN_FLAG	NUMBER	This flag indicates whether the object is open, where the object has exited to the TO workflow state. 1 for yes and 0 for no. [Agile PLM] This field is derived and cannot be mapped to another Agile PLM attribute.
PQM_CAPA_ID	NUMBER	Foreign key to PQM_CAPA_F. [Agile PLM] This field maps to the ID attribute in QCR_CAPA class. This field cannot be mapped to another Agile PLM attribute.
PQM_CAPA_WORKFLOW_ID	NUMBER	Workflow ID. Foreign key to PQM_CAPA_WORKFLOW_D. [Agile PLM] This field is derived and cannot be mapped to another Agile PLM attribute.
ROW_ID	NUMBER	Reserved. In future releases, this will store Surrogate key to uniquely identify a record.
TO_PQM_CAPA_WORKFLOW_ID	NUMBER	All Possible end states of Workflow. Foreign key to PQM_CAPA_WORKFLOW_D.PQM_CAPA_WORKFLOW_ID. [Agile PLM] This field is derived and cannot be mapped to another Agile PLM attribute.

**PQM\_LOCATION\_D**

Location Dimension table. This table is conforming across PQM. Out of the box, this table is not populated with Agile PLM data. The table is populated only when the Agile PLM attributes are mapped using BI Configurator.

Column	Type	Comments
DATASOURCE_NUM_ID	NUMBER	Reserved. This column, in future releases, will uniquely identify the source system from which data was extracted.
ENABLE	NUMBER	This flag indicates whether the Member is deleted or not enabled. 1 for yes and 0 for no. [Agile PLM] This field is derived and cannot be mapped to another Agile PLM attribute.
INTEGRATION_ID	VARCHAR2	Reserved. This column, in future releases, will be used to uniquely identify dimension or fact entity in its source system.
LAST_MODIFIED_DATE	DATE	Last Modified Date. [Agile PLM] This field is derived and cannot be mapped to another Agile PLM attribute.
LIST_ID	NUMBER	List ID associated with attribute.
NAME	VARCHAR2	Location Name
PQM_LOCATION_ID	NUMBER	Primary Key for the Dimension Table. Primary key that uniquely identifies the record.
ROW_ID	NUMBER	Reserved. In future releases, this will store Surrogate key to uniquely identify a record.

**PQM\_NCR\_CATEGORY\_D**

Non Conformance Report Category Dimension Table. This table is conforming across fact tables in NCR Subject Area. Out of the box, this table is mapped to the Agile PLM list configured to Category attribute of NCR Class.

Column	Type	Comments
DATASOURCE_NUM_ID	NUMBER	Reserved. This column, in future releases, will uniquely identify the source system from which data was extracted.
ENABLE	NUMBER	This flag indicates whether the Member is deleted or not enabled. 1 for yes and 0 for no. [Agile PLM] This field is derived and cannot be mapped to another Agile PLM attribute.
INTEGRATION_ID	VARCHAR2	Reserved. This column, in future releases, will be used to uniquely identify dimension or fact entity in its source system.
LAST_MODIFIED_DATE	DATE	Last Modified Date. [Agile PLM] This field is derived and cannot be mapped to another Agile PLM attribute.
LIST_ID	NUMBER	List ID associated with attribute.
NAME	VARCHAR2	Non Conformance Report Category Name
PQM_NCR_CATEGORY_ID	NUMBER	Primary Key for the Dimension Table. Primary key that uniquely identifies the record.
ROW_ID	NUMBER	Reserved. In future releases, this will store Surrogate key to uniquely identify a record.

**PQM\_NCR\_CAUSE\_D**

NCR Cause Dimension Table. This table is conforming across Fact tables in NCR Subject Area. Out of the box, this table is not populated with Agile PLM data. The table is populated only when the Agile PLM attributes are mapped using BI Configurator.

Column	Type	Comments
DATASOURCE_NUM_ID	NUMBER	Reserved. This column, in future releases, will uniquely identify the source system from which data was extracted.
ENABLE	NUMBER	This flag indicates whether the Member is deleted or not enabled. 1 for yes and 0 for no. [Agile PLM] This field is derived and cannot be mapped to another Agile PLM attribute.
INTEGRATION_ID	VARCHAR2	Reserved. This column, in future releases, will be used to uniquely identify dimension or fact entity in its source system.
LAST_MODIFIED_DATE	DATE	Last Modified Date. [Agile PLM] This field is derived and cannot be mapped to another Agile PLM attribute.
LIST_ID	NUMBER	List ID associated with attribute.
NAME	VARCHAR2	Non Conformance Report Cause Name
PQM_NCR_CAUSE_ID	NUMBER	Primary Key for the Dimension Table. Primary key that uniquely identifies the record.
ROW_ID	NUMBER	Reserved. In future releases, this will store Surrogate key to uniquely identify a record.

**PQM\_NCR\_CUSTOMER\_B**

NCR Customer Bridge Table. Maintains data between NCR and Customer to resolve Many to many relationships. Out of the box, this table is not populated with Agile PLM data. The table is populated when Agile PLM Multilist type attribute is configured to corresponding column in the Fact table using BI Configurator.

Column	Type	Comments
CUSTOMER_ID	NUMBER	Customer ID. Foreign key to CUSTOMER_D.
DATASOURCE_NUM_ID	NUMBER	Reserved. This column, in future releases, will uniquely identify the source system from which data was extracted.
INTEGRATION_ID	VARCHAR2	Reserved. This column, in future releases, will be used to uniquely identify dimension or fact entity in its source system.
PQM_NCR_ID	NUMBER	PQM NCR ID. Foreign key to PQM_NCR_F.
ROW_ID	NUMBER	Reserved. In future releases, this will store Surrogate key to uniquely identify a record.

**PQM\_NCR\_DOC\_B**

NCR Documents Bridge Table. Maintains data between NCR and Documents to resolve Many to many relationships. Out of the box, this table is not populated with Agile PLM data. The table is populated when Agile PLM Multilist type attribute is configured to corresponding column in the Fact table using BI Configurator.

Column	Type	Comments
DATASOURCE_NUM_ID	NUMBER	Reserved. This column, in future releases, will uniquely identify the source system from which data was extracted.
INTEGRATION_ID	VARCHAR2	Reserved. This column, in future releases, will be used to uniquely identify dimension or fact entity in its source system.
PQM_NCR_DOC_ID	NUMBER	NCR Doc.
PQM_NCR_ID	NUMBER	NCR.
ROW_ID	NUMBER	Reserved. In future releases, this will store Surrogate key to uniquely identify a record.

**PQM\_NCR\_DOC\_D**

NCR Documents Dimension Table. This table is conforming across Fact tables in NCR Subject Area. Out of the box, this table is not populated with Agile PLM data. The table is populated only when the Agile PLM attributes are mapped using BI Configurator.

Column	Type	Comments
DATASOURCE_NUM_ID	NUMBER	Reserved. This column, in future releases, will uniquely identify the source system from which data was extracted.
ENABLE	NUMBER	This flag indicates whether the Member is deleted or not enabled. 1 for yes and 0 for no. [Agile PLM] This field is derived and cannot be mapped to another Agile PLM attribute.
INTEGRATION_ID	VARCHAR2	Reserved. This column, in future releases, will be used to uniquely identify dimension or fact entity in its source system.
LAST_MODIFIED_DATE	DATE	Last Modified Date. [Agile PLM] This field is derived and cannot be mapped to another Agile PLM attribute.
LIST_ID	NUMBER	List ID associated with attribute.
NAME	VARCHAR2	Non Conformance Report Document Name
PQM_NCR_DOC_ID	NUMBER	NCR Doc.
ROW_ID	NUMBER	Reserved. In future releases, this will store Surrogate key to uniquely identify a record.

**PQM\_NCR\_F**

NDR Fact Table. This is the core Fact table for NCR which has Volume, Aging and Cycle time related measures.

Column	Type	Comments
AUDIT_FLAG	NUMBER	This flag indicates whether the object is being audited. 1 for yes and 0 for no. [Agile PLM] This field is derived and cannot be mapped to another Agile PLM attribute.
CANCEL_FLAG	NUMBER	This flag indicates whether this object is cancelled. 1 for yes and 0 for no. [Agile PLM] This field is derived and cannot be mapped to another Agile PLM attribute.
CAPA_FLAG	NUMBER	This flag is set to "Yes" or "1", if the object is related to CAPA (where this CAPA can be affected by this object or the object is affected by CAPA). Which is available from relationship tab of the object. [Agile PLM] This field is derived and cannot be mapped to another Agile PLM attribute.
COMPLETE_FLAG	NUMBER	This flag indicates whether this object is complete. 1 for yes and 0 for no. [Agile PLM] This field is derived and cannot be mapped to another Agile PLM attribute.
CURRENT_OWNER_USER_ID	NUMBER	The owner of the NCR at that moment, at any point of time there should be one. Foreign key to USER_D.USER_ID. [Agile PLM] This field is derived and cannot be mapped to another Agile PLM attribute.
DATASOURCE_NUM_ID	NUMBER	Reserved. This column, in future releases, will uniquely identify the source system from which data was extracted.
DESCRIPTION	VARCHAR2	Description. [Agile PLM] This field maps to the "Description" attribute in Product Service Request class. This column cannot be re-mapped to another Agile PLM attribute.
DURATION_DAYS	NUMBER	To indicate the age of the NCR if not released. Or the duration when it is released. (Released date-Originated Date) and if the Release date is null it is System date or ETL Run date - Originated date. [Agile PLM] This field is derived and cannot be mapped to another Agile PLM attribute.
EXPECTED_RESOLUTION_TIME_ID	NUMBER	Expected resolution date in Julian date format. [Agile PLM] This field maps to the "Expected Resolution Date" attribute in Product Service Request class. This column cannot be re-mapped to another Agile PLM attribute.
FINAL_COMPLETE_TIME_ID	NUMBER	Final complete date in Julian date format. [Agile PLM] This field maps to the "PSR Final Complete Date" attribute in Product Service Request class. This column cannot be re-mapped to another Agile PLM attribute.
INTEGRATION_ID	VARCHAR2	Reserved. This column, in future releases, will be used to uniquely identify dimension or fact entity in its source system.
INT_ORGANIZATION_ID	NUMBER	Internal organisation. Foreign key to INT_ORGANIZATION_D.INT_ORGANIZATION_ID. [Agile PLM] This field is derived and cannot be mapped to another Agile PLM attribute.
ISSUE_CONFIRMATION_TIME_ID	NUMBER	The date that the ISSUE is confirmed (can be reproduced) or confirmed as NO ISSUE. [Agile PLM] This field is derived and cannot be mapped to another Agile PLM attribute.
LAST_MODIFIED_DATE	DATE	Last Modified Date. Maps to the UPDATE_DATE attribute in PSR_NCR class. [Agile PLM] This field is derived and cannot be mapped to another Agile PLM attribute.
ORIGINATED_TIME_ID	NUMBER	Originated date or Create date in Julian date format. [Agile PLM] This field maps to the "Date Originated" attribute in Product Service Request class. This column cannot be re-mapped to another Agile PLM attribute.
ORIGINATOR_USER_ID	NUMBER	Originator user. Foreign key to USER_D.USER_ID. [Agile PLM] This field maps to the "Originator" attribute in Product Service Request class. This column cannot be re-mapped to another Agile PLM attribute.

ORIG_CMPL_DAYS	NUMBER	Duation between Final complete date and Originated date excluding days spent in Hold state when Final complete date is not null and Duration between System date or ETL run date and Originated Date excluding days spent in Hold state when Final complete is null. [Agile PLM] This field is derived and cannot be mapped to another Agile PLM attribute.
ORIG_CMPL_HOLD_DURATION_DAYS	NUMBER	Duration between the final complete date and the originated date when the final date is not null. The duration between the system date or the ETL run date and the originated date when the final complete date is null. [Agile PLM] This field is derived and cannot be mapped to another Agile PLM attribute.
ORIG_EXPT_DAYS	NUMBER	Duration between Expected resolution date and Originated Date excluding the days spent in Hold state when Expected resolution date is not null and Duration between System date or ETL run date and Originated date when Expected resolution date is null. [Agile PLM] This field is derived and cannot be mapped to another Agile PLM attribute.
ORIG_RLSE_DAYS	NUMBER	Duration between Released date and Originated date when Released Date is not null and Duration between System date or ETL run date and Originated date when Released date is null excluding the days spent in Hold state. [Agile PLM] This field is derived and cannot be mapped to another Agile PLM attribute.
ORIG_RLSE_HOLD_DURATION_DAYS	NUMBER	Duration between the release date and the originated date when the final date is not null. The duration between the system date or the ETL run date and the originated date when the release date is null. [Agile PLM] This field is derived and cannot be mapped to another Agile PLM attribute.
OVERDUE_FLAG	NUMBER	This flag indicates whether this object is overdue, where release date is greater than expected resolution date. 1 for yes and 0 for no. [Agile PLM] This field is derived and cannot be mapped to another Agile PLM attribute.
OVERDUE_IN_PROCESS_DAYS	NUMBER	Duration between System date or ETL run date and Expected resolution date. [Agile PLM] This field is derived and cannot be mapped to another Agile PLM attribute.
OVERDUE_RELEASED_DAYS	NUMBER	Duration between Released date and Expected resolution date. [Agile PLM] This field is derived and cannot be mapped to another Agile PLM attribute.
PARENT_NCR_FLAG	NUMBER	If Aggregate PSR number is not null then its 1 else 0. [Agile PLM] This field is derived and cannot be mapped to another Agile PLM attribute.
PARENT_NCR_ID	NUMBER	Out of the box maps to Aggregate NCR Number PLM attribute. [Agile PLM] This field is derived and cannot be mapped to another Agile PLM attribute.
PQM_LOCATION_ID	NUMBER	Location. Foreign key to PQM_LOCATION_D.PQM_LOCATION_ID. [Agile PLM] This field is derived and cannot be mapped to another Agile PLM attribute.
PQM_NCR_CATEGORY_ID	NUMBER	NCR Category ID. Foreign key to PQM_NCR_CATEGORY_D.PQM_NCR_CATEGORY_ID. [Agile PLM] This field maps to the "Category" attribute in Product Service Request class. This column cannot be re-mapped to another Agile PLM attribute.
PQM_NCR_CAUSE_ID	NUMBER	The cause of the NCR. Foreign key to PQM_NCR_CAUSE_D.PQM_NCR_CAUSE_ID. [Agile PLM] This field is derived and cannot be mapped to another Agile PLM attribute.
PQM_NCR_ID	NUMBER	Primary key for the table. [Agile PLM] This field maps to the ID attribute in PSR_NCR class.
PQM_NCR_INSPECTION_TYPE_ID	NUMBER	NCR Inspection Type. Foreign key to PQM_NCR_INSPECTION_TYPE_D.PQM_NCR_INSPECTION_TYPE_ID. [Agile PLM] This field cannot be mapped to another Agile PLM attribute.
PQM_NCR_MTRL_REVIEW_ID	NUMBER	NCR Material Review. Foreign key to PQM_NCR_MTRL_REVIEW_D.PQM_NCR_MTRL_REVIEW_ID. [Agile PLM] This field cannot be mapped to another Agile PLM attribute.
PQM_NCR_NO	VARCHAR2	NCR Number. [Agile PLM] This field maps to the "PSR Number" attribute in Product Service Request class. This column cannot be re-mapped to another Agile PLM attribute.

PQM_NCR_PRIORITY_ID	NUMBER	NCR Priority. Foreign key to PQM_NCR_PRIORITY_D.PQM_NCR_PRIORITY_ID. [Agile PLM] This field maps to the PRIORITY_ID attribute. This field cannot be mapped to another Agile PLM attribute.
PQM_NCR_PROBLEM_TYPE_ID	NUMBER	Problem Type. Foreign key to PQM_NCR_PROBLEM_TYPE_D.PQM_NCR_PROBLEM_TYPE_ID. [Agile PLM] This field is derived and cannot be mapped to another Agile PLM attribute.
PQM_NCR_PROGRAM_RELEASE_ID	NUMBER	The defective part was supplied in the program. Foreign key to PQM_NCR_PROGRAM_RELEASE_D.PQM_NCR_PROGRAM_RELEASE_ID. [Agile PLM] This field is derived and cannot be mapped to another Agile PLM attribute.
PQM_NCR_QMS_SECTION_ID	NUMBER	The QMS (Quality Measurement System) manual session where the NCR was raised (via Audit). Foreign key to PQM_NCR_QMS_SECTION_D.PQM_NCR_QMS_SECTION_ID. [Agile PLM] This field is derived and cannot be mapped to another Agile PLM attribute.
PQM_NCR_REASON_CODE_ID	NUMBER	NCR Reason Code. Foreign key to PQM_NCR_REASON_CODE_D.PQM_NCR_REASON_CODE_ID. [Agile PLM] This field cannot be mapped to another Agile PLM attribute.
PQM_NCR_RESOLUTION_ID	NUMBER	NCR Resolution ID. Foreign key to PQM_NCR_RESOLUTION_D.PQM_NCR_RESOLUTION_ID. [Agile PLM] This field maps to the "Disposition" attribute in Product Service Request class. This column cannot be re-mapped to another Agile PLM attribute.
PQM_NCR_RPT_FAILURE_TYPE_ID	NUMBER	Reported failure type. Foreign key to PQM_NCR_RPT_FAILURE_TYPE_D.PQM_NCR_RPT_FAILURE_TYPE_ID. [Agile PLM] This field is derived and cannot be mapped to another Agile PLM attribute.
PQM_NCR_SEVERITY_ID	NUMBER	NCR Severity ID. Foreign key to PQM_NCR_SEVERITY_D.PQM_NCR_SEVERITY_ID. [Agile PLM] This field maps to the "Severity" attribute in Product Service Request class. This column cannot be re-mapped to another Agile PLM attribute.
PQM_NCR_SOURCE_ID	NUMBER	NCR Source. Foreign key to PQM_NCR_SOURCE_D.PQM_NCR_SOURCE_ID. [Agile PLM] This field cannot be mapped to another Agile PLM attribute.
PQM_NCR_SUPP_INFR_TIME_ID	NUMBER	Supplier infrastructure time in Julian Date format.
PQM_NCR_SUSP_FAILURE_TYPE_ID	NUMBER	Suspected failure type. Foreign key to PQM_NCR_SUSP_FAILURE_TYPE_D.PQM_NCR_SUSP_FAILURE_TYPE_ID. [Agile PLM] This field is derived and cannot be mapped to another Agile PLM attribute.
PQM_NCR_TYPE_ID	NUMBER	NCR Type ID. Foreign key to PQM_NCR_TYPE_D.PQM_NCR_TYPE_ID. [Agile PLM] This field maps to the "Type" attribute in Product Service Request class. This column cannot be re-mapped to another Agile PLM attribute.
PQM_NCR_WORKFLOW_ID	NUMBER	NCR Workflow ID. Foreign key to PQM_NCR_WORKFLOW_D.PQM_NCR_WORKFLOW_ID. [Agile PLM] This field is derived and cannot be mapped to another Agile PLM attribute.
PQM_QUALITY_ANALYST_USER_ID	NUMBER	Quality Analyst User ID. Foreign key to USER_D.USER_ID. [Agile PLM] This field maps to the "Quality Analyst" attribute in Product Service Request class. This column cannot be re-mapped to another Agile PLM attribute.
RELEASED_FLAG	NUMBER	This flag is set to "Yes" or "1", if the object workflow is in Released state. Which is available from workflow tab of object. [Agile PLM] This field is derived and cannot be mapped to another Agile PLM attribute.
RELEASED_TIME_ID	NUMBER	Release date in Julian date format. [Agile PLM] This field maps to the "Date Released" attribute in Product Service Request class. This column cannot be re-mapped to another Agile PLM attribute.
ROW_ID	NUMBER	Reserved. In future releases, this will store Surrogate key to uniquely identify a record.

SBMT_CMPL_DAYS	NUMBER	Duration between Final complete date and Submit date excluding the days spent in Hold state when Final complete date is not null and Duration between System date or ETL run date and Submit date excluding the days spent in Hold state when Final complete date is null. [Agile PLM] This field is derived and cannot be mapped to another Agile PLM attribute.
SBMT_CMPL_HOLD_DURATION_DAYS	NUMBER	Duration between Final Complete date and Submit date when Final Complete date is not null and Duration between System date or ETL run date and Submit date when Final Complete date is null. [Agile PLM] This field is derived and cannot be mapped to another Agile PLM attribute.
SBMT_RLSE_DAYS	NUMBER	Duration between Released date and Submit date excluding the days spent in Hold state when Released date is not null and Duration between System date or ETL run date and Submit date excluding the days spent in Hold state when Released date is null. [Agile PLM] This field is derived and cannot be mapped to another Agile PLM attribute.
SBMT_RLSE_HOLD_DURATION_DAYS	NUMBER	Duration between Released date and Submit date when Released date is not null and Duration between System date or ETL run date and Submit date when Released date is null. [Agile PLM] This field is derived and cannot be mapped to another Agile PLM attribute.
SOFT_DELETE_FLAG	NUMBER	This flag indicates whether the object is soft-deleted. 1 for yes and 0 for no. [Agile PLM] This field is derived and cannot be mapped to another Agile PLM attribute.
SUBMITTED_TIME_ID	NUMBER	Submit date in Julian date format. [Agile PLM] This field maps to the "Date Submitted" attribute in Product Service Request class. This column cannot be re-mapped to another Agile PLM attribute.
VALID_FLAG	NUMBER	This flag indicates whether this object is valid. 1 for yes and 0 for no. [Agile PLM] This field is derived and cannot be mapped to another Agile PLM attribute.

**PQM\_NCR\_FUNC\_AREA\_B**

NCR Functional Area Bridge Table. Maintains data between NCR and Functional Area to resolve Many to many relationships. Out of the box, this table is not populated with Agile PLM data. The table is populated when Agile PLM Multilist type attribute is configured to corresponding column in the Fact table using BI Configurator.

Column	Type	Comments
DATASOURCE_NUM_ID	NUMBER	Reserved. This column, in future releases, will uniquely identify the source system from which data was extracted.
INTEGRATION_ID	VARCHAR2	Reserved. This column, in future releases, will be used to uniquely identify dimension or fact entity in its source system.
PQM_NCR_FUNC_AREA_ID	NUMBER	NCR Function Area.
PQM_NCR_ID	NUMBER	NCR.
ROW_ID	NUMBER	Reserved. In future releases, this will store Surrogate key to uniquely identify a record.

**PQM\_NCR\_FUNC\_AREA\_D**

NCR Functional Areas Dimension Table. This table is conforming across Fact tables in NCR Subject Area. Out of the box, this table is not populated with Agile PLM data. The table is populated only when the Agile PLM attributes are mapped using BI Configurator.

Column	Type	Comments
DATASOURCE_NUM_ID	NUMBER	Reserved. This column, in future releases, will uniquely identify the source system from which data was extracted.
ENABLE	NUMBER	This flag indicates whether the Member is deleted or not enabled. 1 for yes and 0 for no. [Agile PLM] This field is derived and cannot be mapped to another Agile PLM attribute.
INTEGRATION_ID	VARCHAR2	Reserved. This column, in future releases, will be used to uniquely identify dimension or fact entity in its source system.
LAST_MODIFIED_DATE	DATE	Last Modified Date. [Agile PLM] This field is derived and cannot be mapped to another Agile PLM attribute.
LIST_ID	NUMBER	List ID associated with attribute.
NAME	VARCHAR2	Non Conformance Report Fuctional Area Name
PQM_NCR_FUNC_AREA_ID	NUMBER	NCR Function Area. Primary key that uniquely identifies the record.
ROW_ID	NUMBER	Reserved. In future releases, this will store Surrogate key to uniquely identify a record.

**PQM\_NCR\_INSPECTION\_TYPE\_D**

NCR Inspection Types Dimension table. This table is conforming across Fact tables in NCR Subject Area. Out of the box, this table is not populated with Agile PLM data. The table is populated only when the Agile PLM attributes are mapped using BI Configurator.

Column	Type	Comments
DATASOURCE_NUM_ID	NUMBER	Reserved. This column, in future releases, will uniquely identify the source system from which data was extracted.
ENABLE	NUMBER	This flag indicates whether the Member is deleted or not enabled. 1 for yes and 0 for no. [Agile PLM] This field is derived and cannot be mapped to another Agile PLM attribute.
INTEGRATION_ID	VARCHAR2	Reserved. This column, in future releases, will be used to uniquely identify dimension or fact entity in its source system.
LAST_MODIFIED_DATE	DATE	Last Modified Date. [Agile PLM] This field is derived and cannot be mapped to another Agile PLM attribute.
LIST_ID	NUMBER	List ID associated with attribute.
NAME	VARCHAR2	Non Conformance Report Inspection Type Name
PQM_NCR_INSPECTION_TYPE_ID	NUMBER	NCR Inspection Type. Primary key that uniquely identifies the record.
ROW_ID	NUMBER	Reserved. In future releases, this will store Surrogate key to uniquely identify a record.

**PQM\_NCR\_ITEM\_DATA**

NCR Item Data Table. Reserved for ETL process. Temporary table used for configuring flex attributes between Item and Non Conformance Report (NCR) relationship.

Column	Type	Comments
AFFECTED_SITE_ID	NUMBER	Affected Site. Foreign key to SITE_D.SITES_ID. [Agile PLM] This field maps to the "Affected Site" attribute in Quality Change Request class in Affected Item tab. This field cannot be re-mapped to another Agile PLM attribute.
CONFORMANCE_SPEC	VARCHAR2	The conformance spec text, information about the materials. [Agile PLM] This field maps to the "Conformance Specifications" attribute in Quality Change Request class in Affected Item tab. This field cannot be re-mapped to another Agile PLM attribute.
CONFORMING_MATERIAL_TIME_ID	NUMBER	The date that the supplier expects to be able to send conforming materials. [Agile PLM] This field maps to the "Conforming Material Time" attribute in Quality Change Request class in Affected Item tab. This field cannot be re-mapped to another Agile PLM attribute. This field cannot be re-mapped to another Agile PLM attribute.
CONTAINMENT_ACTION	VARCHAR2	Action taken to immediately dispose of the material. For example, scrap all materials, send back to supplier, etc. [Agile PLM] This field maps to the "Containment Action" attribute in Quality Change Request class in Affected Item tab. This field cannot be re-mapped to another Agile PLM attribute.
DATASOURCE_NUM_ID	NUMBER	Reserved. This column, in future releases, will uniquely identify the source system from which data was extracted.
ID	NUMBER	
INTEGRATION_ID	VARCHAR2	Reserved. This column, in future releases, will be used to uniquely identify dimension or fact entity in its source system.
ITEM_CATEGORY_ID	NUMBER	Item category. Foreign key to ITEM_CATEGORY_D.ITEM_CATEGORY_ID. [Agile PLM] This field maps to the "Category" attribute in Quality Change Request class in Affected Item tab. This field cannot be re-mapped to another Agile PLM attribute.
ITEM_COMMODITY_ID	NUMBER	Item commodity. Foreign key to ITEM_COMMODITY_D.ITEM_COMMODITY_ID. [Agile PLM] This field maps to the "Commodity" attribute in Quality Change Request class in Affected Item tab. This field cannot be re-mapped to another Agile PLM attribute.
ITEM_FAILURE_MODE_ID	NUMBER	Item failure mode. Foreign key to ITEM_FAILURE_MODE_D.ITEM_FAILURE_MODE_ID. [Agile PLM] This field maps to the "Failure Mode" attribute in Quality Change Request class in Affected Item tab. This field cannot be re-mapped to another Agile PLM attribute.
ITEM_ID	NUMBER	Item ID. Foreign key to ITEM_D, serves as the primary key (with PQM_AUDIT_ID).
ITEM_LIFECYCLE_STATE_ID	NUMBER	Item lifecycle state. [Agile PLM] This field maps to the "Item Lifecycle State" attribute in Quality Change Request class in Affected Item tab. This field cannot be re-mapped to another Agile PLM attribute.
ITEM_PART_FAMILY_ID	NUMBER	Item part family. Foreign key to ITEM_PART_FAMILY_D.ITEM_PART_FAMILY_ID. [Agile PLM] This field maps to the PART_FAMILY_ID attribute in ITEM class in Affected Item tab. This field cannot be re-mapped to another Agile PLM attribute.

ITEM_SIZE_ID	NUMBER	Item size. Foreign key to ITEM_SIZE_D.ITEM_SIZE_ID. [Agile PLM] This field maps to the DOCSIZE attribute in ITEM class in Affected Item tab. This field cannot be re-mapped to another Agile PLM attribute.
ITEM_TYPE_ID	NUMBER	Item type. Foreign key to ITEM_TYPE_D.ITEM_TYPE_ID. [Agile PLM] This field maps to the SUBCLASS_ID attribute in ITEM class in Affected Item tab. This field cannot be re-mapped to another Agile PLM attribute.
LATEST_CHANGE_NO	VARCHAR2	Latest Change Number. [Agile PLM] This field maps to the "Latest Change" attribute in Quality Change Request class in Affected Item tab. This field cannot be re-mapped to another Agile PLM attribute.
LOT_NO	VARCHAR2	Serial or Lot number where the item came from. [Agile PLM] This field maps to the "Serial/Lot Number" attribute in Quality Change Request class in Affected Item tab. This field cannot be re-mapped to another Agile PLM attribute.
PQM_NCR_ID	NUMBER	NCR ID. [Agile PLM] This field maps to the "ID" attribute in Quality Change Request class in Affected Item tab. This field cannot be re-mapped to another Agile PLM attribute.
QUANTITY_AFFECTED	NUMBER	Quantity affected. [Agile PLM] This field maps to the "Quantity Affected" attribute in Quality Change Request class in Affected Item tab. This field cannot be re-mapped to another Agile PLM attribute.
QUANTITY_CHECKED	NUMBER	Total quantity of items checked. [Agile PLM] This field maps to the QUANTITY_CHECKED attribute in PSR_NCR_ITEM class in Affected Item tab. This field cannot be re-mapped to another Agile PLM attribute.
QUANTITY_NON_CONFORMING	NUMBER	Total quantity of items had problems. [Agile PLM] This field maps to the "Quantity Non Conforming" attribute in Quality Change Request class in Affected Item tab. This field cannot be re-mapped to another Agile PLM attribute.
QUANTITY_SUSPECTED	NUMBER	Total quantity of items suspected of problems. [Agile PLM] This field maps to the "Total Quantity Suspect" attribute in Quality Change Request class in Affected Item tab. This field cannot be re-mapped to another Agile PLM attribute.
REVISION_CHANGE_TYPE_ID	NUMBER	Revision Change Type ID. [Agile PLM] This field maps to the "Revision Change Type" attribute in Quality Change Request class in Affected Item tab. This field cannot be re-mapped to another Agile PLM attribute.
REVISION_FIXED	VARCHAR2	Out of the box maps to Rev Fixed PLM attribute. [Agile PLM] This field maps to the "Revision Fixed" attribute in Quality Change Request class in Affected Item tab. This field cannot be re-mapped to another Agile PLM attribute.
REVISION_FLAG	NUMBER	If Item has revision its 1 else 0. [Agile PLM] This field maps to the "Revision Flag" attribute in Quality Change Request class in Affected Item tab. This field cannot be re-mapped to another Agile PLM attribute.
REVISION_FOUND	VARCHAR2	Out of the box maps to Rev Found PLM attribute. [Agile PLM] This field maps to the "Revision Found" attribute in Quality Change Request class in Affected Item tab. This field cannot be re-mapped to another Agile PLM attribute.
REV_ID	NUMBER	Revision this object is associated with. Foreign key to ITEM_REV_D.ITEM_REV_ID. [Agile PLM] This field maps to the "Rev Found" attribute in Quality Change Request class in Affected Item tab. This field cannot be re-mapped to another Agile PLM attribute.
RMA_NO	VARCHAR2	RMA (Return Merchandise Authorization) number . [Agile PLM] This field maps to the "RMA Number" attribute in Quality Change Request class in Affected Item tab. This field cannot be re-mapped to another Agile PLM attribute.
ROW_ID	NUMBER	Reserved. In future releases, this will store Surrogate key to uniquely identify a record.

TLA_FLAG	NUMBER	This flag is set to "Yes" or "1", if the item Object is a Shippable Item . [Agile PLM] This field maps to the "TLA Flag" attribute in Quality Change Request class in Affected Item tab. This field cannot be re-mapped to another Agile PLM attribute.
----------	--------	---

**PQM\_NCR\_ITEM\_PRODUCTLINE\_B**

NDR Item Productline Bridge Table. Maintains data between NCR Item fact table and Item Productline dimension table to resolve Many to many relationships. Out of the box, this table is not populated with Agile PLM data. The table is populated when Agile PLM Multilist type attribute is configured to corresponding column in fact table using BI Configurator.

Column	Type	Comments
DATASOURCE_NUM_ID	NUMBER	Reserved. This column, in future releases, will uniquely identify the source system from which data was extracted.
INTEGRATION_ID	VARCHAR2	Reserved. This column, in future releases, will be used to uniquely identify dimension or fact entity in its source system.
ITEM_ID	NUMBER	Item ID.
ITEM_PRODUCTLINE_ID	NUMBER	Item Productline ID. Foreign key to ITEM_PRODUCTLINE_D.
ROW_ID	NUMBER	Reserved. In future releases, this will store Surrogate key to uniquely identify a record.

**PQM\_NCR\_MTRL\_REVIEW\_D**

NCR Material Reviews Dimension Table. This table is conforming across Fact tables in NCR Subject Area. Out of the box, this table is not populated with Agile PLM data. The table is populated only when the Agile PLM attributes are mapped using BI Configurator.

Column	Type	Comments
DATASOURCE_NUM_ID	NUMBER	Reserved. This column, in future releases, will uniquely identify the source system from which data was extracted.
ENABLE	NUMBER	This flag indicates whether the Member is deleted or not enabled. 1 for yes and 0 for no. [Agile PLM] This field is derived and cannot be mapped to another Agile PLM attribute.
INTEGRATION_ID	VARCHAR2	Reserved. This column, in future releases, will be used to uniquely identify dimension or fact entity in its source system.
LAST_MODIFIED_DATE	DATE	Last Modified Date. [Agile PLM] This field is derived and cannot be mapped to another Agile PLM attribute.
LIST_ID	NUMBER	List ID associated with attribute.
NAME	VARCHAR2	Non Conformance Report Material Review Board Name
PQM_NCR_MTRL_REVIEW_ID	NUMBER	NCR Material Review. Primary key that uniquely identifies the record.
ROW_ID	NUMBER	Reserved. In future releases, this will store Surrogate key to uniquely identify a record.

**PQM\_NCR\_PRG\_TASK\_B**

NCR Program Tasks Bridge Table. Maintains data between NCR and Program Task to resolve Many to many relationships. Out of the box, this table is not populated with Agile PLM data. The table is populated when Agile PLM Multilist type attribute is configured to corresponding column in the Fact table using BI Configurator.

Column	Type	Comments
DATASOURCE_NUM_ID	NUMBER	Reserved. This column, in future releases, will uniquely identify the source system from which data was extracted.
INTEGRATION_ID	VARCHAR2	Reserved. This column, in future releases, will be used to uniquely identify dimension or fact entity in its source system.
PQM_NCR_ID	NUMBER	NCR.
PQM_NCR_PRG_TASK_ID	NUMBER	NCR Progress Task.
ROW_ID	NUMBER	Reserved. In future releases, this will store Surrogate key to uniquely identify a record.

***PQM\_NCR\_PRG\_TASK\_D***

NCR Program Tasks Dimension Table. This table is conforming across Fact tables in NCR Subject Area. Out of the box, this table is not populated with Agile PLM data. The table is populated only when the Agile PLM attributes are mapped using BI Configurator.

Column	Type	Comments
DATASOURCE_NUM_ID	NUMBER	Reserved. This column, in future releases, will uniquely identify the source system from which data was extracted.
ENABLE	NUMBER	This flag indicates whether the Member is deleted or not enabled. 1 for yes and 0 for no. [Agile PLM] This field is derived and cannot be mapped to another Agile PLM attribute.
INTEGRATION_ID	VARCHAR2	Reserved. This column, in future releases, will be used to uniquely identify dimension or fact entity in its source system.
LAST_MODIFIED_DATE	DATE	Last Modified Date. [Agile PLM] This field is derived and cannot be mapped to another Agile PLM attribute.
LIST_ID	NUMBER	List ID associated with attribute.
NAME	VARCHAR2	Non Conformance Report Program Task Name
PQM_NCR_PRG_TASK_ID	NUMBER	NCR Progress Task. Primary key that uniquely identifies the record.
ROW_ID	NUMBER	Reserved. In future releases, this will store Surrogate key to uniquely identify a record.

**PQM\_NCR\_PRIORITY\_D**

NCR Priority Dimension table. This table is conforming across Fact tables in NCR Subject Area. Out of the box, this table is not populated with Agile PLM data. The table is populated only when the Agile PLM attributes are mapped using BI Configurator.

Column	Type	Comments
DATASOURCE_NUM_ID	NUMBER	Reserved. This column, in future releases, will uniquely identify the source system from which data was extracted.
ENABLE	NUMBER	This flag indicates whether the Member is deleted or not enabled. 1 for yes and 0 for no. [Agile PLM] This field is derived and cannot be mapped to another Agile PLM attribute.
INTEGRATION_ID	VARCHAR2	Reserved. This column, in future releases, will be used to uniquely identify dimension or fact entity in its source system.
LAST_MODIFIED_DATE	DATE	Last Modified Date. [Agile PLM] This field is derived and cannot be mapped to another Agile PLM attribute.
LIST_ID	NUMBER	List ID associated with attribute.
NAME	VARCHAR2	Non Conformance Report Priority Name
PQM_NCR_PRIORITY_ID	NUMBER	NCR Priority. Foreign key to PQM_NCR_PRIORITY_D. [Agile PLM] This field maps to the PRIORITY_ID attribute. This field cannot be mapped to another Agile PLM attribute.
ROW_ID	NUMBER	Reserved. In future releases, this will store Surrogate key to uniquely identify a record.

**PQM\_NCR\_PROBLEM\_TYPE\_D**

NCR Problem Type Dimension Table. This table is conforming across Fact tables in NCR Subject Area. Out of the box, this table is not populated with Agile PLM data. The table is populated only when the Agile PLM attributes are mapped using BI Configurator.

Column	Type	Comments
DATASOURCE_NUM_ID	NUMBER	Reserved. This column, in future releases, will uniquely identify the source system from which data was extracted.
ENABLE	NUMBER	This flag indicates whether the Member is deleted or not enabled. 1 for yes and 0 for no. [Agile PLM] This field is derived and cannot be mapped to another Agile PLM attribute.
INTEGRATION_ID	VARCHAR2	Reserved. This column, in future releases, will be used to uniquely identify dimension or fact entity in its source system.
LAST_MODIFIED_DATE	DATE	Last Modified Date. [Agile PLM] This field is derived and cannot be mapped to another Agile PLM attribute.
LIST_ID	NUMBER	List ID associated with attribute.
NAME	VARCHAR2	Non Conformance Report Problem Type Name
PQM_NCR_PROBLEM_TYPE_ID	NUMBER	Primary Key for the Dimension Table. Primary key that uniquely identifies the record.
ROW_ID	NUMBER	Reserved. In future releases, this will store Surrogate key to uniquely identify a record.

***PQM\_NCR\_PRODUCTLINE\_B***

NCR Productline Bridge Table. Maintains data between NCR and Productline to resolve Many to many relationships. Out of the box, this table is not populated with Agile PLM data. The table is populated when Agile PLM Multilist type attribute is configured to corresponding column in the Fact table using BI Configurator.

Column	Type	Comments
DATASOURCE_NUM_ID	NUMBER	Reserved. This column, in future releases, will uniquely identify the source system from which data was extracted.
INTEGRATION_ID	VARCHAR2	Reserved. This column, in future releases, will be used to uniquely identify dimension or fact entity in its source system.
PQM_NCR_ID	NUMBER	PQM NCR ID. Foreign key to PQM_NCR_F.
PQM_PRODUCTLINE_ID	NUMBER	PQM Productline ID. Foreign key to PQM_PRODUCTLINE_D.
ROW_ID	NUMBER	Reserved. In future releases, this will store Surrogate key to uniquely identify a record.

**PQM\_NCR\_PROGRAM\_RELEASE\_D**

NCR Program Release Dimension Table. This table is conforming across Fact tables in NCR Subject Area. Out of the box, this table is not populated with Agile PLM data. The table is populated only when the Agile PLM attributes are mapped using BI Configurator.

Column	Type	Comments
DATASOURCE_NUM_ID	NUMBER	Reserved. This column, in future releases, will uniquely identify the source system from which data was extracted.
ENABLE	NUMBER	This flag indicates whether the Member is deleted or not enabled. 1 for yes and 0 for no. [Agile PLM] This field is derived and cannot be mapped to another Agile PLM attribute.
INTEGRATION_ID	VARCHAR2	Reserved. This column, in future releases, will be used to uniquely identify dimension or fact entity in its source system.
LAST_MODIFIED_DATE	DATE	Last Modified Date. [Agile PLM] This field is derived and cannot be mapped to another Agile PLM attribute.
LIST_ID	NUMBER	List ID associated with attribute.
NAME	VARCHAR2	Non Conformance Report Problem Release Name
PQM_NCR_PROGRAM_RELEASE_ID	NUMBER	Primary Key for the Dimension Table. Primary key that uniquely identifies the record.
ROW_ID	NUMBER	Reserved. In future releases, this will store Surrogate key to uniquely identify a record.

**PQM\_NCR\_QMS\_B**

NCR QMS Bridge Table. Maintains data between NCR and QMS to resolve Many to many relationships. Out of the box, this table is not populated with Agile PLM data. The table is populated when Agile PLM Multilist type attribute is configured to corresponding column in the Fact table using BI Configurator.

Column	Type	Comments
DATASOURCE_NUM_ID	NUMBER	Reserved. This column, in future releases, will uniquely identify the source system from which data was extracted.
INTEGRATION_ID	VARCHAR2	Reserved. This column, in future releases, will be used to uniquely identify dimension or fact entity in its source system.
PQM_NCR_ID	NUMBER	NCR.
PQM_NCR_QMS_ID	NUMBER	NCR QMS.
ROW_ID	NUMBER	Reserved. In future releases, this will store Surrogate key to uniquely identify a record.

**PQM\_NCR\_QMS\_D**

NCR QMS Dimension Table. This table is conforming across Fact tables in NCR Subject Area. Out of the box, this table is not populated with Agile PLM data. The table is populated only when the Agile PLM attributes are mapped using BI Configurator.

Column	Type	Comments
DATASOURCE_NUM_ID	NUMBER	Reserved. This column, in future releases, will uniquely identify the source system from which data was extracted.
ENABLE	NUMBER	This flag indicates whether the Member is deleted or not enabled. 1 for yes and 0 for no. [Agile PLM] This field is derived and cannot be mapped to another Agile PLM attribute.
INTEGRATION_ID	VARCHAR2	Reserved. This column, in future releases, will be used to uniquely identify dimension or fact entity in its source system.
LAST_MODIFIED_DATE	DATE	Last Modified Date. [Agile PLM] This field is derived and cannot be mapped to another Agile PLM attribute.
LIST_ID	NUMBER	List ID associated with attribute.
NAME	VARCHAR2	Non Conformance Report QMS Name
PQM_NCR_QMS_ID	NUMBER	NCR QMS. Primary key that uniquely identifies the record.
ROW_ID	NUMBER	Reserved. In future releases, this will store Surrogate key to uniquely identify a record.

**PQM\_NCR\_QMS\_SECTION\_D**

NCR Quality Management System Section Dimension Table. This table is conforming across Fact tables in NCR Subject Area. Out of the box, this table is not populated with Agile PLM data. The table is populated only when the Agile PLM attributes are mapped using BI Configurator.

Column	Type	Comments
DATASOURCE_NUM_ID	NUMBER	Reserved. This column, in future releases, will uniquely identify the source system from which data was extracted.
ENABLE	NUMBER	This flag indicates whether the Member is deleted or not enabled. 1 for yes and 0 for no. [Agile PLM] This field is derived and cannot be mapped to another Agile PLM attribute.
INTEGRATION_ID	VARCHAR2	Reserved. This column, in future releases, will be used to uniquely identify dimension or fact entity in its source system.
LAST_MODIFIED_DATE	DATE	Last Modified Date. [Agile PLM] This field is derived and cannot be mapped to another Agile PLM attribute.
LIST_ID	NUMBER	List ID associated with attribute.
NAME	VARCHAR2	Non Conformance Report QMS Section Name
PQM_NCR_QMS_SECTION_ID	NUMBER	Primary Key for the Dimension Table. Primary key that uniquely identifies the record.
ROW_ID	NUMBER	Reserved. In future releases, this will store Surrogate key to uniquely identify a record.

**PQM\_NCR\_REASON\_CODE\_D**

NCR Reason Codes Dimension Table. This table is conforming across Fact tables in NCR Subject Area. Out of the box, this table is not populated with Agile PLM data. The table is populated only when the Agile PLM attributes are mapped using BI Configurator.

Column	Type	Comments
DATASOURCE_NUM_ID	NUMBER	Reserved. This column, in future releases, will uniquely identify the source system from which data was extracted.
ENABLE	NUMBER	This flag indicates whether the Member is deleted or not enabled. 1 for yes and 0 for no. [Agile PLM] This field is derived and cannot be mapped to another Agile PLM attribute.
INTEGRATION_ID	VARCHAR2	Reserved. This column, in future releases, will be used to uniquely identify dimension or fact entity in its source system.
LAST_MODIFIED_DATE	DATE	Last Modified Date. [Agile PLM] This field is derived and cannot be mapped to another Agile PLM attribute.
LIST_ID	NUMBER	List ID associated with attribute.
NAME	VARCHAR2	Non Conformance Report Reason Code Name
PQM_NCR_REASON_CODE_ID	NUMBER	NCR Reason Code. Primary key that uniquely identifies the record.
ROW_ID	NUMBER	Reserved. In future releases, this will store Surrogate key to uniquely identify a record.

***PQM\_NCR\_RESOLUTION\_D***

NCR Resolution Dimension Table. This table is conforming across Fact tables in NCR Subject Area. Out of the box, this table is not populated with Agile PLM data. The table is populated only when the Agile PLM attributes are mapped using BI Configurator.

Column	Type	Comments
DATASOURCE_NUM_ID	NUMBER	Reserved. This column, in future releases, will uniquely identify the source system from which data was extracted.
ENABLE	NUMBER	This flag indicates whether the Member is deleted or not enabled. 1 for yes and 0 for no. [Agile PLM] This field is derived and cannot be mapped to another Agile PLM attribute.
INTEGRATION_ID	VARCHAR2	Reserved. This column, in future releases, will be used to uniquely identify dimension or fact entity in its source system.
LAST_MODIFIED_DATE	DATE	Last Modified Date. [Agile PLM] This field is derived and cannot be mapped to another Agile PLM attribute.
LIST_ID	NUMBER	List ID associated with attribute.
NAME	VARCHAR2	Non Conformance Report Resolution Name
PQM_NCR_RESOLUTION_ID	NUMBER	Primary Key for the Dimension Table. Primary key that uniquely identifies the record.
ROW_ID	NUMBER	Reserved. In future releases, this will store Surrogate key to uniquely identify a record.

***PQM\_NCR\_RPT\_FAILURE\_TYPE\_D***

NCR Reported Failure Type Dimension Table. This table is conforming across Fact tables in NCR Subject Area. Out of the box, this table is not populated with Agile PLM data. The table is populated only when the Agile PLM attributes are mapped using BI Configurator.

Column	Type	Comments
DATASOURCE_NUM_ID	NUMBER	Reserved. This column, in future releases, will uniquely identify the source system from which data was extracted.
ENABLE	NUMBER	This flag indicates whether the Member is deleted or not enabled. 1 for yes and 0 for no. [Agile PLM] This field is derived and cannot be mapped to another Agile PLM attribute.
INTEGRATION_ID	VARCHAR2	Reserved. This column, in future releases, will be used to uniquely identify dimension or fact entity in its source system.
LAST_MODIFIED_DATE	DATE	Last Modified Date. [Agile PLM] This field is derived and cannot be mapped to another Agile PLM attribute.
LIST_ID	NUMBER	List ID associated with attribute.
NAME	VARCHAR2	Non Conformance Report Reported Failure Type Name
PQM_NCR_RPT_FAILURE_TYPE_ID	NUMBER	Primary Key for the Dimension Table. Primary key that uniquely identifies the record.
ROW_ID	NUMBER	Reserved. In future releases, this will store Surrogate key to uniquely identify a record.

**PQM\_NCR\_SEVERITY\_D**

NCR Severity Dimension Table. This table is conforming across Fact tables in NCR Subject Area. Out of the box, this table is mapped to the Agile PLM List configured to Severity attribute of NCR Class.

Column	Type	Comments
DATASOURCE_NUM_ID	NUMBER	Reserved. This column, in future releases, will uniquely identify the source system from which data was extracted.
ENABLE	NUMBER	This flag indicates whether the Member is deleted or not enabled. 1 for yes and 0 for no. [Agile PLM] This field is derived and cannot be mapped to another Agile PLM attribute.
INTEGRATION_ID	VARCHAR2	Reserved. This column, in future releases, will be used to uniquely identify dimension or fact entity in its source system.
LAST_MODIFIED_DATE	DATE	Last Modified Date. [Agile PLM] This field is derived and cannot be mapped to another Agile PLM attribute.
LIST_ID	NUMBER	List ID associated with attribute.
NAME	VARCHAR2	Non Conformance Report Severity Name
PQM_NCR_SEVERITY_ID	NUMBER	Primary Key for the Dimension Table. Primary key that uniquely identifies the record.
ROW_ID	NUMBER	Reserved. In future releases, this will store Surrogate key to uniquely identify a record.

***PQM\_NCR\_SOURCE\_D***

NCR Sources Dimension table. This table is conforming across Fact tables in NCR Subject Area. Out of the box, this table is not populated with Agile PLM data. The table is populated only when the Agile PLM attributes are mapped using BI Configurator.

Column	Type	Comments
DATASOURCE_NUM_ID	NUMBER	Reserved. This column, in future releases, will uniquely identify the source system from which data was extracted.
ENABLE	NUMBER	This flag indicates whether the Member is deleted or not enabled. 1 for yes and 0 for no. [Agile PLM] This field is derived and cannot be mapped to another Agile PLM attribute.
INTEGRATION_ID	VARCHAR2	Reserved. This column, in future releases, will be used to uniquely identify dimension or fact entity in its source system.
LAST_MODIFIED_DATE	DATE	Last Modified Date. [Agile PLM] This field is derived and cannot be mapped to another Agile PLM attribute.
LIST_ID	NUMBER	List ID associated with attribute.
NAME	VARCHAR2	Non Conformance Report Source Name
PQM_NCR_SOURCE_ID	NUMBER	NCR Source. Primary key that uniquely identifies the record.
ROW_ID	NUMBER	Reserved. In future releases, this will store Surrogate key to uniquely identify a record.

**PQM\_NCR\_SUPPLIER\_B**

NCR Supplier Bridge Table. Maintains data between NCR and Supplier to resolve Many to many relationships. Out of the box, this table is not populated with Agile PLM data. The table is populated when Agile PLM Multilist type attribute is configured to corresponding column in the Fact table using BI Configurator.

Column	Type	Comments
DATASOURCE_NUM_ID	NUMBER	Reserved. This column, in future releases, will uniquely identify the source system from which data was extracted.
INTEGRATION_ID	VARCHAR2	Reserved. This column, in future releases, will be used to uniquely identify dimension or fact entity in its source system.
PQM_NCR_ID	NUMBER	PQM NCR ID. Foreign key to PQM_NCR_F.
ROW_ID	NUMBER	Reserved. In future releases, this will store Surrogate key to uniquely identify a record.
SUPPLIER_ID	NUMBER	Supplier ID. Foreign key to SUPPLIER_D.

**PQM\_NCR\_SUSP\_FAILURE\_TYPE\_D**

NCR Suspected Failure Type Dimension table. This table is conforming across Fact tables in NCR Subject Area. Out of the box, this table is not populated with Agile PLM data. The table is populated only when the Agile PLM attributes are mapped using BI Configurator.

Column	Type	Comments
DATASOURCE_NUM_ID	NUMBER	Reserved. This column, in future releases, will uniquely identify the source system from which data was extracted.
ENABLE	NUMBER	This flag indicates whether the Member is deleted or not enabled. 1 for yes and 0 for no. [Agile PLM] This field is derived and cannot be mapped to another Agile PLM attribute.
INTEGRATION_ID	VARCHAR2	Reserved. This column, in future releases, will be used to uniquely identify dimension or fact entity in its source system.
LAST_MODIFIED_DATE	DATE	Last Modified Date. [Agile PLM] This field is derived and cannot be mapped to another Agile PLM attribute.
LIST_ID	NUMBER	List ID associated with attribute.
NAME	VARCHAR2	Non Conformance Report Suspected Failure Type Name
PQM_NCR_SUSP_FAILURE_TYPE_ID	NUMBER	Primary Key for the Dimension Table. Primary key that uniquely identifies the record.
ROW_ID	NUMBER	Reserved. In future releases, this will store Surrogate key to uniquely identify a record.

**PQM\_NCR\_TYPE\_D**

NCR Types Dimension Table. This table is conforming across Fact tables in NCR Subject Area. Out of the box, the table is mapped to the Agile PLM List configured to Types or subclass attribute of NCR Class.

Column	Type	Comments
DATASOURCE_NUM_ID	NUMBER	Reserved. This column, in future releases, will uniquely identify the source system from which data was extracted.
ENABLE	NUMBER	This flag indicates whether the Member is deleted or not enabled. 1 for yes and 0 for no. [Agile PLM] This field is derived and cannot be mapped to another Agile PLM attribute.
INTEGRATION_ID	VARCHAR2	Reserved. This column, in future releases, will be used to uniquely identify dimension or fact entity in its source system.
LAST_MODIFIED_DATE	DATE	Last Modified Date. [Agile PLM] This field is derived and cannot be mapped to another Agile PLM attribute.
LIST_ID	NUMBER	List ID associated with attribute.
NAME	VARCHAR2	Non Conformance Report Type Name
PQM_NCR_TYPE_ID	NUMBER	Primary Key for the Dimension Table. Primary key that uniquely identifies the record.
ROW_ID	NUMBER	Reserved. In future releases, this will store Surrogate key to uniquely identify a record.

**PQM\_NCR\_WORKFLOW\_D**

NCR Workflow Dimension Table. This table is conforming across Fact tables in NCR Subject Area. Out of the box, the table contains all the Agile PLM workflows assigned to NCR and the states within each of the workflow.

Column	Type	Comments
DATASOURCE_NUM_ID	NUMBER	Reserved. This column, in future releases, will uniquely identify the source system from which data was extracted.
ENABLE	NUMBER	This flag indicates whether the Member is deleted or not enabled. 1 for yes and 0 for no. [Agile PLM] This field is derived and cannot be mapped to another Agile PLM attribute.
INTEGRATION_ID	VARCHAR2	Reserved. This column, in future releases, will be used to uniquely identify dimension or fact entity in its source system.
LIST_ID	NUMBER	List ID associated with attribute.
PQM_NCR_WORKFLOW_ID	NUMBER	Primary Key for the Dimension Table. Primary key that uniquely identifies the record.
ROW_ID	NUMBER	Reserved. In future releases, this will store Surrogate key to uniquely identify a record.
WORKFLOW	VARCHAR2	Workflow Name.
WORKFLOW_ID	NUMBER	Workflow Key.
WORKFLOW_STATE	VARCHAR2	Workflow State.
WORKFLOW_STATE_ID	NUMBER	Workflow State Key.
WORKFLOW_TYPE	VARCHAR2	Workflow Type.

**PQM\_NCR\_WORKFLOW\_DETAIL\_DATA**

NCR Workflow Detail Data Table. This table holds the details of the workflow such as status cycle time, status cycle time in progress for each combination of workflow states.

Column	Type	Comments
CUR_WKFLW_STATE_FLG	NUMBER	
DATASOURCE_NUM_ID	NUMBER	Reserved. This column, in future releases, will uniquely identify the source system from which data was extracted.
DURATION_DAYS	NUMBER	To indicate the age of the PR if not released. Or the duration when it is released. (Released date-Originated Date) and if the Release date is null it is System date or ETL Run date - Originated date. [Agile PLM] This field is derived and cannot be mapped to another Agile PLM attribute.
ENTRY_TIME_ID	NUMBER	Entry time of the From Workflow State. [Agile PLM] This field is derived and cannot be mapped to another Agile PLM attribute.
EXIT_TIME_ID	NUMBER	Exit time of the From Workflow State. [Agile PLM] This field is derived and cannot be mapped to another Agile PLM attribute.
FROM_PQM_NCR_WORKFLOW_ID	NUMBER	All Possible start states of Workflow. Foreign key to PQM_NCR_WORKFLOW_D.PQM_NCR_WORKFLOW_ID. [Agile PLM] This field is derived and cannot be mapped to another Agile PLM attribute.
INTEGRATION_ID	VARCHAR2	Reserved. This column, in future releases, will be used to uniquely identify dimension or fact entity in its source system.
OPEN_FLAG	NUMBER	This flag indicates whether the object is open, where the object has exited to the TO workflow state. 1 for yes and 0 for no. [Agile PLM] This field is derived and cannot be mapped to another Agile PLM attribute.
PQM_NCR_ID	NUMBER	Foreign key to PQM_NCR_F. [Agile PLM] This field maps to the ID attribute in PSR_NCR class. This field cannot be mapped to another Agile PLM attribute.
PQM_NCR_WORKFLOW_ID	NUMBER	Foreign key to PQM_NCR_WORKFLOW_D. [Agile PLM] This field is derived and cannot be mapped to another Agile PLM attribute.
ROW_ID	NUMBER	Reserved. In future releases, this will store Surrogate key to uniquely identify a record.
TO_PQM_NCR_WORKFLOW_ID	NUMBER	All Possible end states of Workflow. Foreign key to PQM_NCR_WORKFLOW_D.PQM_NCR_WORKFLOW_ID. [Agile PLM] This field is derived and cannot be mapped to another Agile PLM attribute.

**PQM\_PRODUCTLINE\_D**

Product Lines Dimension Table. This table is conforming across fact tables in PQM Subject Area. Out of the box, the table mapped to the Agile PLM List configured to Product Line attribute in Product Quality object such as Complaints, NCRs, Audits and CAPAs.

Column	Type	Comments
DATASOURCE_NUM_ID	NUMBER	Reserved. This column, in future releases, will uniquely identify the source system from which data was extracted.
ENABLE	NUMBER	This flag indicates whether the Member is deleted or not enabled. 1 for yes and 0 for no. [Agile PLM] This field is derived and cannot be mapped to another Agile PLM attribute.
INTEGRATION_ID	VARCHAR2	Reserved. This column, in future releases, will be used to uniquely identify dimension or fact entity in its source system.
LAST_MODIFIED_DATE	DATE	Last Modified Date. [Agile PLM] This field is derived and cannot be mapped to another Agile PLM attribute.
LIST_ID	NUMBER	List ID associated with attribute.
NAME	VARCHAR2	Product Line Name
PQM_PRODUCTLINE_ID	NUMBER	Primary Key for the Dimension Table. Primary key that uniquely identifies the record.
ROW_ID	NUMBER	Reserved. In future releases, this will store Surrogate key to uniquely identify a record.

***PQM\_PR\_CALLER\_TYPE\_D***

PR Caller Types Dimension Table. This table is conforming across Fact tables in PR Subject Area. Out of the box, this table is not populated with Agile PLM data. The table is populated only when the Agile PLM attributes are mapped using BI Configurator.

Column	Type	Comments
DATASOURCE_NUM_ID	NUMBER	Reserved. This column, in future releases, will uniquely identify the source system from which data was extracted.
ENABLE	NUMBER	This flag indicates whether the Member is deleted or not enabled. 1 for yes and 0 for no. [Agile PLM] This field is derived and cannot be mapped to another Agile PLM attribute.
INTEGRATION_ID	VARCHAR2	Reserved. This column, in future releases, will be used to uniquely identify dimension or fact entity in its source system.
LAST_MODIFIED_DATE	DATE	Last Modified Date. [Agile PLM] This field is derived and cannot be mapped to another Agile PLM attribute.
LIST_ID	NUMBER	List ID associated with attribute.
NAME	VARCHAR2	Problem Report Caller Type Name
PQM_PR_CALLER_TYPE_ID	NUMBER	PR Caller Type. Primary key that uniquely identifies the record.
ROW_ID	NUMBER	Reserved. In future releases, this will store Surrogate key to uniquely identify a record.

**PQM\_PR\_CATEGORY\_D**

Problem Reports Category Dimension Table. This table is conforming across Fact tables in PR Subject Area. Out of the box, the table is mapped to the Agile PLM List configured to Category attribute of PR Class.

Column	Type	Comments
DATASOURCE_NUM_ID	NUMBER	Reserved. This column, in future releases, will uniquely identify the source system from which data was extracted.
ENABLE	NUMBER	This flag indicates whether the Member is deleted or not enabled. 1 for yes and 0 for no. [Agile PLM] This field is derived and cannot be mapped to another Agile PLM attribute.
INTEGRATION_ID	VARCHAR2	Reserved. This column, in future releases, will be used to uniquely identify dimension or fact entity in its source system.
LAST_MODIFIED_DATE	DATE	Last Modified Date. [Agile PLM] This field is derived and cannot be mapped to another Agile PLM attribute.
LIST_ID	NUMBER	List ID associated with attribute.
NAME	VARCHAR2	Problem Report Category Name
PQM_PR_CATEGORY_ID	NUMBER	Primary Key for the Dimension Table. Primary key that uniquely identifies the record.
ROW_ID	NUMBER	Reserved. In future releases, this will store Surrogate key to uniquely identify a record.

**PQM\_PR\_CONTACT\_MODE\_D**

PR Contact Modes Dimension Table. This table is conforming across Fact tables in PR Subject Area. Out of the box, this table is not populated with Agile PLM data. The table is populated only when the Agile PLM attributes are mapped using BI Configurator.

Column	Type	Comments
DATASOURCE_NUM_ID	NUMBER	Reserved. This column, in future releases, will uniquely identify the source system from which data was extracted.
ENABLE	NUMBER	This flag indicates whether the Member is deleted or not enabled. 1 for yes and 0 for no. [Agile PLM] This field is derived and cannot be mapped to another Agile PLM attribute.
INTEGRATION_ID	VARCHAR2	Reserved. This column, in future releases, will be used to uniquely identify dimension or fact entity in its source system.
LAST_MODIFIED_DATE	DATE	Last Modified Date. [Agile PLM] This field is derived and cannot be mapped to another Agile PLM attribute.
LIST_ID	NUMBER	List ID associated with attribute.
NAME	VARCHAR2	Problem Report Contact Mode Name
PQM_PR_CONTACT_MODE_ID	NUMBER	PR Contact Mode. Primary key that uniquely identifies the record.
ROW_ID	NUMBER	Reserved. In future releases, this will store Surrogate key to uniquely identify a record.

**PQM\_PR\_CUSTOMER\_B**

PR Customer Bridge Table. Maintains data between PR and Customer to resolve many to many relationships. Out of the box, this table is not populated with Agile PLM data. The table is populated when Agile PLM Multilist type attribute is configured to corresponding column in the Fact table using BI Configurator.

Column	Type	Comments
CUSTOMER_ID	NUMBER	Customer ID. Foreign key to CUSTOMER_D.
DATASOURCE_NUM_ID	NUMBER	Reserved. This column, in future releases, will uniquely identify the source system from which data was extracted.
INTEGRATION_ID	VARCHAR2	Reserved. This column, in future releases, will be used to uniquely identify dimension or fact entity in its source system.
PQM_PR_ID	NUMBER	PQM PR ID. Foreign key to PQM_PR_F.
ROW_ID	NUMBER	Reserved. In future releases, this will store Surrogate key to uniquely identify a record.

**PQM\_PR\_DESIGN\_OWNER\_B**

PR Design Owner Bridge Table. Maintains data between PR and Design Owner to resolve many to many relationships. Out of the box, this table is not populated with Agile PLM data. The table is populated when Agile PLM Multilist type attribute is configured to corresponding column in the Fact table using BI Configurator.

Column	Type	Comments
DATASOURCE_NUM_ID	NUMBER	Reserved. This column, in future releases, will uniquely identify the source system from which data was extracted.
INTEGRATION_ID	VARCHAR2	Reserved. This column, in future releases, will be used to uniquely identify dimension or fact entity in its source system.
PQM_PR_ID	NUMBER	PR.
ROW_ID	NUMBER	Reserved. In future releases, this will store Surrogate key to uniquely identify a record.
USER_ID	NUMBER	User.

**PQM\_PR\_DOC\_B**

PR Documents Bridge Table. Maintains data between PR and Document to resolve many to many relationships. Out of the box, this table is not populated with Agile PLM data. The table is populated when Agile PLM Multilist type attribute is configured to corresponding column in the Fact table using BI Configurator.

Column	Type	Comments
DATASOURCE_NUM_ID	NUMBER	Reserved. This column, in future releases, will uniquely identify the source system from which data was extracted.
INTEGRATION_ID	VARCHAR2	Reserved. This column, in future releases, will be used to uniquely identify dimension or fact entity in its source system.
PQM_PR_DOC_ID	NUMBER	PR Doc.
PQM_PR_ID	NUMBER	PR.
ROW_ID	NUMBER	Reserved. In future releases, this will store Surrogate key to uniquely identify a record.

**PQM\_PR\_DOC\_D**

PR Documents Dimension Table. This table is conforming across Fact tables in PR Subject Area. Out of the box, this table is not populated with Agile PLM data. The table is populated only when the Agile PLM attributes are mapped using BI Configurator.

Column	Type	Comments
DATASOURCE_NUM_ID	NUMBER	Reserved. This column, in future releases, will uniquely identify the source system from which data was extracted.
ENABLE	NUMBER	This flag indicates whether the Member is deleted or not enabled. 1 for yes and 0 for no. [Agile PLM] This field is derived and cannot be mapped to another Agile PLM attribute.
INTEGRATION_ID	VARCHAR2	Reserved. This column, in future releases, will be used to uniquely identify dimension or fact entity in its source system.
LAST_MODIFIED_DATE	DATE	Last Modified Date. [Agile PLM] This field is derived and cannot be mapped to another Agile PLM attribute.
LIST_ID	NUMBER	List ID associated with attribute.
NAME	VARCHAR2	Problem Report Document Name
PQM_PR_DOC_ID	NUMBER	PR Doc.
ROW_ID	NUMBER	Reserved. In future releases, this will store Surrogate key to uniquely identify a record.

**PQM\_PR\_F**

PR Fact Table. This is the core Fact table for PR which has Volume, Aging and Cycle time related measures.

Column	Type	Comments
AUDIT_FLAG	NUMBER	This flag indicates whether the object is being audited. 1 for yes and 0 for no. [Agile PLM] This field is derived and cannot be mapped to another Agile PLM attribute.
CANCEL_FLAG	NUMBER	This flag indicates whether this object is cancelled. 1 for yes and 0 for no. [Agile PLM] This field is derived and cannot be mapped to another Agile PLM attribute.
CAPA_FLAG	NUMBER	This flag is set to "Yes" or "1", if the object is related to CAPA (where this CAPA can be affected by this object or the object is affected by CAPA). Which is available from relationship tab of the object. [Agile PLM] This field is derived and cannot be mapped to another Agile PLM attribute.
COMPLETE_FLAG	NUMBER	This flag indicates whether this object is complete. 1 for yes and 0 for no. [Agile PLM] This field is derived and cannot be mapped to another Agile PLM attribute.
CURRENT_OWNER_USER_ID	NUMBER	The owner of the PR at that moment, at any point of time there should be one. Foreign key to USER_D.USER_ID. [Agile PLM] This field is derived and cannot be mapped to another Agile PLM attribute.
CUSTOMER_CLOSED_TIME_ID	NUMBER	Customer closed time in Julian Date format.
DATASOURCE_NUM_ID	NUMBER	Reserved. This column, in future releases, will uniquely identify the source system from which data was extracted.
DESCRIPTION	VARCHAR2	Description. [Agile PLM] This field maps to the "Description" attribute in Product Service Request class. This column cannot be re-mapped to another Agile PLM attribute.
DURATION_DAYS	NUMBER	To indicate the age of the PR if not released. Or the duration when it is released. (Released date-Originated Date) and if the Release date is null it is System date or ETL Run date - Originated date. [Agile PLM] This field is derived and cannot be mapped to another Agile PLM attribute.
EXPECTED_RESOLUTION_TIME_ID	NUMBER	Expected resolution date in Julian date format. [Agile PLM] This field maps to the "Expected Resolution Date" attribute in Product Service Request class. This column cannot be re-mapped to another Agile PLM attribute.
FINAL_COMPLETE_TIME_ID	NUMBER	Final complete date in Julian date format. [Agile PLM] This field maps to the "Final Complete Date" attribute in Product Service Request class. This column cannot be re-mapped to another Agile PLM attribute.
FIRST_RESPONSE_TIME_ID	NUMBER	First Response Time in Julian Date format.
INTEGRATION_ID	VARCHAR2	Reserved. This column, in future releases, will be used to uniquely identify dimension or fact entity in its source system.
INT_ORGANIZATION_ID	NUMBER	Internal organisation. Foreign key to INT_ORGANIZATION_D.INT_ORGANIZATION_ID. [Agile PLM] This field is derived and cannot be mapped to another Agile PLM attribute.
ISSUE_CONFIRMATION_TIME_ID	NUMBER	The date that the ISSUE is confirmed (can be reproduced) or confirmed as NO ISSUE. [Agile PLM] This field is derived and cannot be mapped to another Agile PLM attribute.
LAST_CONTACT_TIME_ID	NUMBER	Last contact time in Julian Date format.
LAST_MODIFIED_DATE	DATE	Last Modified Date. Maps to the UPDATE_DATE attribute in PSR_PR class. [Agile PLM] This field is derived and cannot be mapped to another Agile PLM attribute.

ORIGINATED_TIME_ID	NUMBER	Originated date or Create date in Julian date format. [Agile PLM] This field maps to the "PSR Date Originated" attribute in Product Service Request class. This column cannot be re-mapped to another Agile PLM attribute.
ORIGINATOR_USER_ID	NUMBER	Originator user. Foreign key to USER_D.USER_ID. [Agile PLM] This field maps to the "PSR Originator" attribute in Product Service Request class. This column cannot be re-mapped to another Agile PLM attribute.
ORIG_CMPL_DAYS	NUMBER	Duaration between Final complete date and Originated date excluding days spent in Hold state when Final complete date is not null and Duration between System date or ETL run date and Originated Date excluding days spent in Hold state when Final complete is null. [Agile PLM] This field is derived and cannot be mapped to another Agile PLM attribute.
ORIG_CMPL_HOLD_DURATION_DAYS	NUMBER	Duration between the final complete date and the originated date when the final date is not null. The duration between the system date or the ETL run date and the originated date when the final complete date is null. [Agile PLM] This field is derived and cannot be mapped to another Agile PLM attribute.
ORIG_EXPT_DAYS	NUMBER	Duration between Expected resolution date and Originated Date excluding the days spent in Hold state when Expected resolution date is not null and Duration between System date or ETL run date and Originated date when Expected resolution date is null. [Agile PLM] This field is derived and cannot be mapped to another Agile PLM attribute.
ORIG_RLSE_DAYS	NUMBER	Duration between Released date and Originated date when Released Date is not null and Duration between System date or ETL run date and Originated date when Released date is null excluding the days spent in Hold state. [Agile PLM] This field is derived and cannot be mapped to another Agile PLM attribute.
ORIG_RLSE_HOLD_DURATION_DAYS	NUMBER	Duration between the release date and the originated date when the final date is not null. The duration between the system date or the ETL run date and the originated date when the release date is null. [Agile PLM] This field is derived and cannot be mapped to another Agile PLM attribute.
OVERDUE_FLAG	NUMBER	This flag indicates whether this object is overdue, where release date is greater than expected resolution date. 1 for yes and 0 for no. [Agile PLM] This field is derived and cannot be mapped to another Agile PLM attribute.
OVERDUE_IN_PROCESS_DAYS	NUMBER	Duration between System date or ETL run date and Expected resolution date. [Agile PLM] This field is derived and cannot be mapped to another Agile PLM attribute.
OVERDUE_RELEASED_DAYS	NUMBER	Duration between Released date and Expected resolution date. [Agile PLM] This field is derived and cannot be mapped to another Agile PLM attribute.
PARENT_PR_FLAG	NUMBER	If Aggregate PSR number is not null then its 1 else 0. [Agile PLM] This field is derived and cannot be mapped to another Agile PLM attribute.
PARENT_PR_ID	NUMBER	Out of the box maps to Aggregate PR Number PLM attribute. [Agile PLM] This field is derived and cannot be mapped to another Agile PLM attribute.
PQM_LOCATION_ID	NUMBER	Location. Foreign key to PQM_LOCATION_D.PQM_LOCATION_ID. [Agile PLM] This field is derived and cannot be mapped to another Agile PLM attribute.
PQM_PR_CALLER_TYPE_ID	NUMBER	PR Caller Type. Foreign key to PQM_PR_CALLER_TYPE_D.PQM_PR_CALLER_TYPE_ID. [Agile PLM] This field cannot be mapped to another Agile PLM attribute.
PQM_PR_CATEGORY_ID	NUMBER	PR Category ID. Foreign key to PQM_PR_CATEGORY_D.PQM_PR_CATEGORY_ID. [Agile PLM] This field maps to the "PSR Category" attribute in Product Service Request class. This column cannot be re-mapped to another Agile PLM attribute.
PQM_PR_CONTACT_MODE_ID	NUMBER	PR Contact Mode. Foreign key to PQM_PR_CONTACT_MODE_D.PQM_PR_CONTACT_MODE_ID. [Agile PLM] This field cannot be mapped to another Agile PLM attribute.

PQM_PR_ID	NUMBER	Primary key for the table. [Agile PLM] This field maps to the ID attribute in PSR_PR class.
PQM_PR_NO	VARCHAR2	PQM PR Number. [Agile PLM] This field maps to the "PSR Number" attribute in Product Service Request class. This column cannot be re-mapped to another Agile PLM attribute.
PQM_PR_PRBL_REPD_ID	NUMBER	PR Problem Reported. Foreign key to PQM_PR_PRBL_REPD_D.PQM_PR_PRBL_REPD_ID. [Agile PLM] This field cannot be mapped to another Agile PLM attribute.
PQM_PR_PRG_ID	NUMBER	PR Program. Foreign key to PQM_PR_PRG_D.PQM_PR_PRG_ID. [Agile PLM] This field cannot be mapped to another Agile PLM attribute.
PQM_PR_PRIORITY_ID	NUMBER	PR Priority. Foreign key to PQM_PR_PRIORITY_D.PQM_PR_PRIORITY_ID. [Agile PLM] This field maps to the PRIORITY_ID attribute. This field cannot be mapped to another Agile PLM attribute.
PQM_PR_PROBLEM_TYPE_ID	NUMBER	Problem Type. Foreign key to PQM_PR_PROBLEM_TYPE_D.PQM_PR_PROBLEM_TYPE_ID. [Agile PLM] This field is derived and cannot be mapped to another Agile PLM attribute.
PQM_PR_REASON_CODE_ID	NUMBER	PR Reason Code. Foreign key to PQM_PR_REASON_CODE_D.PQM_PR_REASON_CODE_ID. [Agile PLM] This field cannot be mapped to another Agile PLM attribute.
PQM_PR_REG_RPT_TYPE_ID	NUMBER	PR Registered Report Type. Foreign key to PQM_PR_REG_RPT_TYPE_D.PQM_PR_REG_RPT_TYPE_ID. [Agile PLM] This field cannot be mapped to another Agile PLM attribute.
PQM_PR_RESOLUTION_ID	NUMBER	PR Resolution ID. Foreign key to PQM_PR_RESOLUTION_D.PQM_PR_RESOLUTION_ID. [Agile PLM] This field maps to the "PSR Disposition" attribute in Product Service Request class. This column cannot be re-mapped to another Agile PLM attribute.
PQM_PR_RPT_FAILURE_TYPE_ID	NUMBER	Reported failure type. Foreign key to PQM_PR_RPT_FAILURE_TYPE_D.PQM_PR_RPT_FAILURE_TYPE_ID. [Agile PLM] This field is derived and cannot be mapped to another Agile PLM attribute.
PQM_PR_SALES_OWNER_ID	NUMBER	PR Sales Owner. Foreign key to USER_D.USER_ID. [Agile PLM] This field cannot be mapped to another Agile PLM attribute.
PQM_PR_SALES_REGION_ID	NUMBER	PR Sales Region. Foreign key to PQM_PR_SALES_REGION_D.PQM_PR_SALES_REGION_ID. [Agile PLM] This field cannot be mapped to another Agile PLM attribute.
PQM_PR_SEVERITY_ID	NUMBER	PR Severity ID. Foreign key to PQM_PR_SEVERITY_D.PQM_PR_SEVERITY_ID. [Agile PLM] This field maps to the "PSR Severity" attribute in Product Service Request class. This column cannot be re-mapped to another Agile PLM attribute.
PQM_PR_SUSP_FAILURE_TYPE_ID	NUMBER	Suspected failure type. Foreign key to PQM_PR_SUSP_FAILURE_TYPE_D.PQM_PR_SUSP_FAILURE_TYPE_ID. [Agile PLM] This field is derived and cannot be mapped to another Agile PLM attribute.
PQM_PR_TYPE_ID	NUMBER	PR Type. [Agile PLM] This field maps to the "PSR Type" attribute in Product Service Request class. This column cannot be re-mapped to another Agile PLM attribute.
PQM_PR_WORKFLOW_ID	NUMBER	Workflow ID. Foreign key to PQM_PR_WORKFLOW_D.PQM_PR_WORKFLOW_ID. [Agile PLM] This field is derived and cannot be mapped to another Agile PLM attribute.
PQM_QUALITY_ANALYST_USER_ID	NUMBER	Quality Analyst User ID. Foreign key to USER_D.USER_ID. [Agile PLM] This field maps to the "PSR Quality Analyst" attribute in Product Service Request class. This column cannot be re-mapped to another Agile PLM attribute.

RELEASED_FLAG	NUMBER	This flag is set to "Yes" or "1", if the object workflow is in Released state. Which is available from workflow tab of object. [Agile PLM] This field is derived and cannot be mapped to another Agile PLM attribute.
RELEASED_TIME_ID	NUMBER	Release date in Julian date format. [Agile PLM] This field maps to the "PSR Date Released" attribute in Product Service Request class. This column cannot be re-mapped to another Agile PLM attribute.
ROW_ID	NUMBER	Reserved. In future releases, this will store Surrogate key to uniquely identify a record.
SBMT_CMPL_DAYS	NUMBER	Duration between Final complete date and Submit date excluding the days spent in Hold state when Final complete date is not null and Duration between System date or ETL run date and Submit date excluding the days spent in Hold state when Final complete date is null. [Agile PLM] This field is derived and cannot be mapped to another Agile PLM attribute.
SBMT_CMPL_HOLD_DURATION_DAYS	NUMBER	Duration between Final Complete date and Submit date when Final Complete date is not null and Duration between System date or ETL run date and Submit date when Final Complete date is null. [Agile PLM] This field is derived and cannot be mapped to another Agile PLM attribute.
SBMT_RLSE_DAYS	NUMBER	Duration between Released date and Submit date excluding the days spent in Hold state when Released date is not null and Duration between System date or ETL run date and Submit date excluding the days spent in Hold state when Released date is null. [Agile PLM] This field is derived and cannot be mapped to another Agile PLM attribute.
SBMT_RLSE_HOLD_DURATION_DAYS	NUMBER	Duration between Released date and Submit date when Released date is not null and Duration between System date or ETL run date and Submit date when Released date is null. [Agile PLM] This field is derived and cannot be mapped to another Agile PLM attribute.
SOFT_DELETE_FLAG	NUMBER	This flag indicates whether the object is soft-deleted. 1 for yes and 0 for no. [Agile PLM] This field is derived and cannot be mapped to another Agile PLM attribute.
SUBMITTED_TIME_ID	NUMBER	Submit date in Julian date format. [Agile PLM] This field maps to the "PSR Date Submitted" attribute in Product Service Request class. This column cannot be re-mapped to another Agile PLM attribute.
VALID_FLAG	NUMBER	This flag indicates whether this object is valid. 1 for yes and 0 for no. [Agile PLM] This field is derived and cannot be mapped to another Agile PLM attribute.

**PQM\_PR\_FUNC\_AREA\_B**

PR Functional Area Bridge Table. Maintains data between PR and Functional Area to resolve many to many relationships. Out of the box, this table is not populated with Agile PLM data. The table is populated when Agile PLM Multilist type attribute is configured to corresponding column in the Fact table using BI Configurator.

Column	Type	Comments
DATASOURCE_NUM_ID	NUMBER	Reserved. This column, in future releases, will uniquely identify the source system from which data was extracted.
INTEGRATION_ID	VARCHAR2	Reserved. This column, in future releases, will be used to uniquely identify dimension or fact entity in its source system.
PQM_PR_FUNC_AREA_ID	NUMBER	PR Function Area.
PQM_PR_ID	NUMBER	PR.
ROW_ID	NUMBER	Reserved. In future releases, this will store Surrogate key to uniquely identify a record.

**PQM\_PR\_FUNC\_AREA\_D**

PR Function Areas Dimension Table. This table is conforming across fact tables in PR Subject Area. Out of the box, this table is not populated with Agile PLM data. The table is populated only when the Agile PLM attributes are mapped using BI Configurator.

Column	Type	Comments
DATASOURCE_NUM_ID	NUMBER	Reserved. This column, in future releases, will uniquely identify the source system from which data was extracted.
ENABLE	NUMBER	This flag indicates whether the Member is deleted or not enabled. 1 for yes and 0 for no. [Agile PLM] This field is derived and cannot be mapped to another Agile PLM attribute.
INTEGRATION_ID	VARCHAR2	Reserved. This column, in future releases, will be used to uniquely identify dimension or fact entity in its source system.
LAST_MODIFIED_DATE	DATE	Last Modified Date. [Agile PLM] This field is derived and cannot be mapped to another Agile PLM attribute.
LIST_ID	NUMBER	List ID associated with attribute.
NAME	VARCHAR2	Problem Report Functional Area Name
PQM_PR_FUNC_AREA_ID	NUMBER	PR Function Area. Primary key that uniquely identifies the record.
ROW_ID	NUMBER	Reserved. In future releases, this will store Surrogate key to uniquely identify a record.

**PQM\_PR\_ITEM\_DATA**

PR Item Data Table. Reserved for ETL process. Temporary table used for configuring flex attributes between Item and Problem Reports or Complaints (PR) relationship.

Column	Type	Comments
AFFECTED_SITE_ID	NUMBER	Affected Site. Foreign key to SITE_D.SITES_ID. [Agile PLM] This field maps to the "Affected Site" attribute in Quality Change Request class in Affected Item tab. This field cannot be re-mapped to another Agile PLM attribute.
DATASOURCE_NUM_ID	NUMBER	Reserved. This column, in future releases, will uniquely identify the source system from which data was extracted.
ID	NUMBER	
INTEGRATION_ID	VARCHAR2	Reserved. This column, in future releases, will be used to uniquely identify dimension or fact entity in its source system.
ITEM_CATEGORY_ID	NUMBER	Item category. Foreign key to ITEM_CATEGORY_D.ITEM_CATEGORY_ID. [Agile PLM] This field maps to the "Category" attribute in Quality Change Request class in Affected Item tab. This field cannot be re-mapped to another Agile PLM attribute.
ITEM_COMMODITY_ID	NUMBER	Item commodity. Foreign key to ITEM_COMMODITY_D.ITEM_COMMODITY_ID. [Agile PLM] This field maps to the "Commodity" attribute in Quality Change Request class in Affected Item tab. This field cannot be re-mapped to another Agile PLM attribute.
ITEM_FAILURE_MODE_ID	NUMBER	Item failure mode. Foreign key to ITEM_FAILURE_MODE_D.ITEM_FAILURE_MODE_ID. [Agile PLM] This field maps to the "Failure Mode" attribute in Quality Change Request class in Affected Item tab. This field cannot be re-mapped to another Agile PLM attribute.
ITEM_ID	NUMBER	Item ID. Foreign key to ITEM_D, serves as the primary key (with PQM_AUDIT_ID).
ITEM_LIFECYCLE_STATE_ID	NUMBER	Item lifecycle state. [Agile PLM] This field maps to the "Item Lifecycle State" attribute in Quality Change Request class in Affected Item tab. This field cannot be re-mapped to another Agile PLM attribute.
ITEM_PART_FAMILY_ID	NUMBER	Item part family. Foreign key to ITEM_PART_FAMILY_D.ITEM_PART_FAMILY_ID. [Agile PLM] This field maps to the PART_FAMILY_ID attribute in ITEM class in Affected Item tab. This field cannot be re-mapped to another Agile PLM attribute.
ITEM_SIZE_ID	NUMBER	Item size. Foreign key to ITEM_SIZE_D.ITEM_SIZE_ID. [Agile PLM] This field maps to the DOCSIZE attribute in ITEM class in Affected Item tab. This field cannot be re-mapped to another Agile PLM attribute.
ITEM_TYPE_ID	NUMBER	Item type. Foreign key to ITEM_TYPE_D.ITEM_TYPE_ID. [Agile PLM] This field maps to the SUBCLASS_ID attribute in ITEM class in Affected Item tab. This field cannot be re-mapped to another Agile PLM attribute.
LATEST_CHANGE_NO	VARCHAR2	Latest Change Number. [Agile PLM] This field maps to the "Latest Change" attribute in Quality Change Request class in Affected Item tab. This field cannot be re-mapped to another Agile PLM attribute.
PQM_PR_ID	NUMBER	PR ID. [Agile PLM] This field maps to the "ID" attribute in Quality Change Request class in Affected Item tab. This field cannot be re-mapped to another Agile PLM attribute.
PQM_PR_ITEM_FAIL_MFR_PART_ID	NUMBER	PR Item Fail Manufactured Part. [Agile PLM] This field maps to the "PR Item Fail Manufactured Part" attribute in Quality Change Request class in Affected Item tab. This field cannot be re-mapped to another Agile PLM attribute.

PQM_PR_ITEM_RPT_FAILURE_ID	NUMBER	PR Item Reported Failure. [Agile PLM] This field maps to the "PR Item Reported Failure" attribute in Quality Change Request class in Affected Item tab. This field cannot be re-mapped to another Agile PLM attribute.
PQM_PR_ITEM_TLA_ID	NUMBER	PR Item TLA. [Agile PLM] This field maps to the "PR Item TLA" attribute in Quality Change Request class in Affected Item tab. This field cannot be re-mapped to another Agile PLM attribute.
QUANTITY_AFFECTED	NUMBER	Quantity affected. [Agile PLM] This field maps to the "Quantity Affected" attribute in Quality Change Request class in Affected Item tab. This field cannot be re-mapped to another Agile PLM attribute.
REVISION_CHANGE_TYPE_ID	NUMBER	Revision Change Type ID. [Agile PLM] This field maps to the "Revision Change Type" attribute in Quality Change Request class in Affected Item tab. This field cannot be re-mapped to another Agile PLM attribute.
REVISION_FIXED	VARCHAR2	Revision this object is associated with. Foreign key to ITEM_REV_D.ITEM_REV_ID. [Agile PLM] This field maps to the "Rev Fixed" attribute in Quality Change Request class in Affected Item tab. This field cannot be re-mapped to another Agile PLM attribute.
REVISION_FLAG	NUMBER	Revision this object is associated with. Foreign key to ITEM_REV_D.ITEM_REV_ID. [Agile PLM] This field maps to the "Item Rev" attribute in Quality Change Request class in Affected Item tab. This field cannot be re-mapped to another Agile PLM attribute.
REVISION_FOUND	VARCHAR2	Revision this object is associated with. Foreign key to ITEM_REV_D.ITEM_REV_ID. [Agile PLM] This field maps to the "Rev Found" attribute in Quality Change Request class in Affected Item tab. This field cannot be re-mapped to another Agile PLM attribute.
REV_ID	NUMBER	Revision this object is associated with. Foreign key to ITEM_REV_D.ITEM_REV_ID. [Agile PLM] This field maps to the "Item Rev" attribute in Quality Change Request class in Affected Item tab. This field cannot be re-mapped to another Agile PLM attribute.
ROW_ID	NUMBER	Reserved. In future releases, this will store Surrogate key to uniquely identify a record.
TLA_FLAG	NUMBER	This flag is set to "Yes" or "1", if the item Object is a Shippable Item . [Agile PLM] This field maps to the "TLA Flag" attribute in Quality Change Request class in Affected Item tab. This field cannot be re-mapped to another Agile PLM attribute.

**PQM\_PR\_ITEM\_FAILURE\_TYPE\_B**

PR Item Failure Type Bridge Table. Maintains data between PR and Failure Type to resolve many to many relationships. Out of the box, this table is not populated with Agile PLM data. The table is populated when Agile PLM Multilist type attribute is configured to corresponding column in the Fact table using BI Configurator.

Column	Type	Comments
DATASOURCE_NUM_ID	NUMBER	Reserved. This column, in future releases, will uniquely identify the source system from which data was extracted.
INTEGRATION_ID	VARCHAR2	Reserved. This column, in future releases, will be used to uniquely identify dimension or fact entity in its source system.
ITEM_ID	NUMBER	Item ID.
PQM_PR_ITEM_FAILURE_TYPE_ID	NUMBER	PR Item Failure Type.
ROW_ID	NUMBER	Reserved. In future releases, this will store Surrogate key to uniquely identify a record.

**PQM\_PR\_ITEM\_FAILURE\_TYPE\_D**

PR Item Failure Types Dimension Table. This table is conforming across Fact tables in PR Item Subject Area. Out of the box, this table is not populated with Agile PLM data. The table is populated only when the Agile PLM attributes are mapped using BI Configurator.

Column	Type	Comments
DATASOURCE_NUM_ID	NUMBER	Reserved. This column, in future releases, will uniquely identify the source system from which data was extracted.
ENABLE	NUMBER	This flag indicates whether the Member is deleted or not enabled. 1 for yes and 0 for no. [Agile PLM] This field is derived and cannot be mapped to another Agile PLM attribute.
INTEGRATION_ID	VARCHAR2	Reserved. This column, in future releases, will be used to uniquely identify dimension or fact entity in its source system.
LAST_MODIFIED_DATE	DATE	Last Modified Date. [Agile PLM] This field is derived and cannot be mapped to another Agile PLM attribute.
LIST_ID	NUMBER	List ID associated with attribute.
NAME	VARCHAR2	Problem Report Item Failure Type Name
PQM_PR_ITEM_FAILURE_TYPE_ID	NUMBER	PR Item Failure Type. Primary key that uniquely identifies the record.
ROW_ID	NUMBER	Reserved. In future releases, this will store Surrogate key to uniquely identify a record.

**PQM\_PR\_ITEM\_FAIL\_CAUSE\_1\_B**

PR Item Failure Cause Bridge Table. Maintains data between PR and Item Fail Cause 1 to resolve many to many relationships. Out of the box, this table is not populated with Agile PLM data. This table is populated when Agile PLM Multilist type attribute is configured to corresponding column in the Fact table using BI Configurator.

Column	Type	Comments
DATASOURCE_NUM_ID	NUMBER	Reserved. This column, in future releases, will uniquely identify the source system from which data was extracted.
INTEGRATION_ID	VARCHAR2	Reserved. This column, in future releases, will be used to uniquely identify dimension or fact entity in its source system.
ITEM_ID	NUMBER	Item ID.
PQM_PR_ITEM_FAIL_CAUSE_1_ID	NUMBER	PR Item Fail Cause 1. [Agile PLM] Out of the box this defined column is not mapped to any Agile PLM attributes. Use the BI Configurator to map this column to an Agile PLM attribute.
ROW_ID	NUMBER	Reserved. In future releases, this will store Surrogate key to uniquely identify a record.

**PQM\_PR\_ITEM\_FAIL\_CAUSE\_1\_D**

Item Failure Cause Dimension Table. This table is conforming across fact tables in PR Item Subject Area. Out of the box, this table is not populated with Agile PLM data. The table is populated only when the Agile PLM attributes are mapped using BI Configurator.

Column	Type	Comments
DATASOURCE_NUM_ID	NUMBER	Reserved. This column, in future releases, will uniquely identify the source system from which data was extracted.
ENABLE	NUMBER	This flag indicates whether the Member is deleted or not enabled. 1 for yes and 0 for no. [Agile PLM] This field is derived and cannot be mapped to another Agile PLM attribute.
INTEGRATION_ID	VARCHAR2	Reserved. This column, in future releases, will be used to uniquely identify dimension or fact entity in its source system.
LAST_MODIFIED_DATE	DATE	Last Modified Date. [Agile PLM] This field is derived and cannot be mapped to another Agile PLM attribute.
LIST_ID	NUMBER	List ID associated with attribute.
NAME	VARCHAR2	Problem Report Item Failure Cause Name
PQM_PR_ITEM_FAIL_CAUSE_1_ID	NUMBER	PR Item Fail Cause 1. [Agile PLM] Out of the box this defined column is not mapped to any Agile PLM attributes. Use the BI Configurator to map this column to an Agile PLM attribute. Primary key that uniquely identifies the record.
ROW_ID	NUMBER	Reserved. In future releases, this will store Surrogate key to uniquely identify a record.

**PQM\_PR\_ITEM\_FAIL\_CAUSE\_2\_B**

PR Item Failure Cause Bridge Table. Maintains data between PR and Item Fail Cause 2 to resolve many to many relationships. Out of the box, this table is not populated with Agile PLM data. This table is populated when Agile PLM Multilist type attribute is configured to corresponding column in the Fact table using BI Configurator.

Column	Type	Comments
DATASOURCE_NUM_ID	NUMBER	Reserved. This column, in future releases, will uniquely identify the source system from which data was extracted.
INTEGRATION_ID	VARCHAR2	Reserved. This column, in future releases, will be used to uniquely identify dimension or fact entity in its source system.
ITEM_ID	NUMBER	Item ID.
PQM_PR_ITEM_FAIL_CAUSE_2_ID	NUMBER	PR Item Fail Cause 2. [Agile PLM] Out of the box this defined column is not mapped to any Agile PLM attributes. Use the BI Configurator to map this column to an Agile PLM attribute.
ROW_ID	NUMBER	Reserved. In future releases, this will store Surrogate key to uniquely identify a record.

**PQM\_PR\_ITEM\_FAIL\_CAUSE\_2\_D**

Item Failure Cause Dimension Table. This table is conforming across fact tables in PR Item Subject Area. Out of the box, this table is not populated with Agile PLM data. The table is populated only when the Agile PLM attributes are mapped using BI Configurator.

Column	Type	Comments
DATASOURCE_NUM_ID	NUMBER	Reserved. This column, in future releases, will uniquely identify the source system from which data was extracted.
ENABLE	NUMBER	This flag indicates whether the Member is deleted or not enabled. 1 for yes and 0 for no. [Agile PLM] This field is derived and cannot be mapped to another Agile PLM attribute.
INTEGRATION_ID	VARCHAR2	Reserved. This column, in future releases, will be used to uniquely identify dimension or fact entity in its source system.
LAST_MODIFIED_DATE	DATE	Last Modified Date. [Agile PLM] This field is derived and cannot be mapped to another Agile PLM attribute.
LIST_ID	NUMBER	List ID associated with attribute.
NAME	VARCHAR2	Problem Report Item Failure Cause Name
PQM_PR_ITEM_FAIL_CAUSE_2_ID	NUMBER	PR Item Fail Cause 2. [Agile PLM] Out of the box this defined column is not mapped to any Agile PLM attributes. Use the BI Configurator to map this column to an Agile PLM attribute. Primary key that uniquely identifies the record.
ROW_ID	NUMBER	Reserved. In future releases, this will store Surrogate key to uniquely identify a record.

**PQM\_PR\_ITEM\_FAIL\_CAUSE\_3\_B**

PR Item Failure Cause Bridge Table. Maintains data between PR and Item Fail Cause 3 to resolve many to many relationships. Out of the box, this table is not populated with Agile PLM data. This table is populated when Agile PLM Multilist type attribute is configured to corresponding column in the Fact table using BI Configurator.

Column	Type	Comments
DATASOURCE_NUM_ID	NUMBER	Reserved. This column, in future releases, will uniquely identify the source system from which data was extracted.
INTEGRATION_ID	VARCHAR2	Reserved. This column, in future releases, will be used to uniquely identify dimension or fact entity in its source system.
ITEM_ID	NUMBER	Item ID.
PQM_PR_ITEM_FAIL_CAUSE_3_ID	NUMBER	PR Item Fail Cause 3. [Agile PLM] Out of the box this defined column is not mapped to any Agile PLM attributes. Use the BI Configurator to map this column to an Agile PLM attribute.
ROW_ID	NUMBER	Reserved. In future releases, this will store Surrogate key to uniquely identify a record.

**PQM\_PR\_ITEM\_FAIL\_CAUSE\_3\_D**

Item Failure Cause Dimension Table. This table is conforming across fact tables in PR Item Subject Area. Out of the box, this table is not populated with Agile PLM data. The table is populated only when the Agile PLM attributes are mapped using BI Configurator.

Column	Type	Comments
DATASOURCE_NUM_ID	NUMBER	Reserved. This column, in future releases, will uniquely identify the source system from which data was extracted.
ENABLE	NUMBER	This flag indicates whether the Member is deleted or not enabled. 1 for yes and 0 for no. [Agile PLM] This field is derived and cannot be mapped to another Agile PLM attribute.
INTEGRATION_ID	VARCHAR2	Reserved. This column, in future releases, will be used to uniquely identify dimension or fact entity in its source system.
LAST_MODIFIED_DATE	DATE	Last Modified Date. [Agile PLM] This field is derived and cannot be mapped to another Agile PLM attribute.
LIST_ID	NUMBER	List ID associated with attribute.
NAME	VARCHAR2	Problem Report Item Failure Cause Name
PQM_PR_ITEM_FAIL_CAUSE_3_ID	NUMBER	PR Item Fail Cause 3. [Agile PLM] Out of the box this defined column is not mapped to any Agile PLM attributes. Use the BI Configurator to map this column to an Agile PLM attribute. Primary key that uniquely identifies the record.
ROW_ID	NUMBER	Reserved. In future releases, this will store Surrogate key to uniquely identify a record.

**PQM\_PR\_ITEM\_FAIL\_MFR\_PART\_D**

PR Item Failed Manufacturer Parts Dimension Table. This table is conforming across Fact tables in PR Item Subject Area. Out of the box, this table is not populated with Agile PLM data. The table is populated only when the Agile PLM attributes are mapped using BI Configurator.

Column	Type	Comments
DATASOURCE_NUM_ID	NUMBER	Reserved. This column, in future releases, will uniquely identify the source system from which data was extracted.
ENABLE	NUMBER	This flag indicates whether the Member is deleted or not enabled. 1 for yes and 0 for no. [Agile PLM] This field is derived and cannot be mapped to another Agile PLM attribute.
INTEGRATION_ID	VARCHAR2	Reserved. This column, in future releases, will be used to uniquely identify dimension or fact entity in its source system.
LAST_MODIFIED_DATE	DATE	Last Modified Date. [Agile PLM] This field is derived and cannot be mapped to another Agile PLM attribute.
LIST_ID	NUMBER	List ID associated with attribute.
NAME	VARCHAR2	Problem Report Item Failed Manufacturer Part Name
PQM_PR_ITEM_FAIL_MFR_PART_ID	NUMBER	PR Item Fail Manufacturered Part. Primary key that uniquely identifies the record.
ROW_ID	NUMBER	Reserved. In future releases, this will store Surrogate key to uniquely identify a record.

**PQM\_PR\_ITEM\_PRODUCTLINE\_B**

PR Item Productline Bridge Table. Maintains data between PR Item Fact table and Item Productline dimension table to resolve many to many relationships. Out of the box, this table is not populated with Agile PLM data. The table is populated when Agile PLM Multilist type attribute is configured to corresponding column in the Fact table using BI Configurator.

Column	Type	Comments
DATASOURCE_NUM_ID	NUMBER	Reserved. This column, in future releases, will uniquely identify the source system from which data was extracted.
INTEGRATION_ID	VARCHAR2	Reserved. This column, in future releases, will be used to uniquely identify dimension or fact entity in its source system.
ITEM_ID	NUMBER	Item ID.
ITEM_PRODUCTLINE_ID	NUMBER	Item Productline ID. Foreign key to ITEM_PRODUCTLINE_D.
ROW_ID	NUMBER	Reserved. In future releases, this will store Surrogate key to uniquely identify a record.

**PQM\_PR\_ITEM\_RPT\_FAILURE\_D**

PR Item Reported for Failures Dimension Table. This table is conforming across Fact tables in PR Subject Area. Out of the box, this table is not populated with Agile PLM data. The table is populated only when the Agile PLM attributes are mapped using BI Configurator.

Column	Type	Comments
DATASOURCE_NUM_ID	NUMBER	Reserved. This column, in future releases, will uniquely identify the source system from which data was extracted.
ENABLE	NUMBER	This flag indicates whether the Member is deleted or not enabled. 1 for yes and 0 for no. [Agile PLM] This field is derived and cannot be mapped to another Agile PLM attribute.
INTEGRATION_ID	VARCHAR2	Reserved. This column, in future releases, will be used to uniquely identify dimension or fact entity in its source system.
LAST_MODIFIED_DATE	DATE	Last Modified Date. [Agile PLM] This field is derived and cannot be mapped to another Agile PLM attribute.
LIST_ID	NUMBER	List ID associated with attribute.
NAME	VARCHAR2	Problem Report Item Reported Failure Type Name
PQM_PR_ITEM_RPT_FAILURE_ID	NUMBER	PR Item Reported Failure. Primary key that uniquely identifies the record.
ROW_ID	NUMBER	Reserved. In future releases, this will store Surrogate key to uniquely identify a record.

**PQM\_PR\_ITEM\_TLA\_D**

PR Item TLAs Dimension Table. This table is conforming across Fact tables in PR Subject Area. Out of the box, this table is not populated with Agile PLM data. The table is populated only when the Agile PLM attributes are mapped using BI Configurator.

Column	Type	Comments
DATASOURCE_NUM_ID	NUMBER	Reserved. This column, in future releases, will uniquely identify the source system from which data was extracted.
ENABLE	NUMBER	This flag indicates whether the Member is deleted or not enabled. 1 for yes and 0 for no. [Agile PLM] This field is derived and cannot be mapped to another Agile PLM attribute.
INTEGRATION_ID	VARCHAR2	Reserved. This column, in future releases, will be used to uniquely identify dimension or fact entity in its source system.
LAST_MODIFIED_DATE	DATE	Last Modified Date. [Agile PLM] This field is derived and cannot be mapped to another Agile PLM attribute.
LIST_ID	NUMBER	List ID associated with attribute.
NAME	VARCHAR2	Problem Report Item TLA Name
PQM_PR_ITEM_TLA_ID	NUMBER	PR Item TLA. Primary key that uniquely identifies the record.
ROW_ID	NUMBER	Reserved. In future releases, this will store Surrogate key to uniquely identify a record.

**PQM\_PR\_PRBL\_REPD\_D**

PR Problem Reproduced Dimension Table. This table is conforming across Fact tables in PR Subject Area. Out of the box, this table is not populated with Agile PLM data. The table is populated only when the Agile PLM attributes are mapped using BI Configurator.

Column	Type	Comments
DATASOURCE_NUM_ID	NUMBER	Reserved. This column, in future releases, will uniquely identify the source system from which data was extracted.
ENABLE	NUMBER	This flag indicates whether the Member is deleted or not enabled. 1 for yes and 0 for no. [Agile PLM] This field is derived and cannot be mapped to another Agile PLM attribute.
INTEGRATION_ID	VARCHAR2	Reserved. This column, in future releases, will be used to uniquely identify dimension or fact entity in its source system.
LAST_MODIFIED_DATE	DATE	Last Modified Date. [Agile PLM] This field is derived and cannot be mapped to another Agile PLM attribute.
LIST_ID	NUMBER	List ID associated with attribute.
NAME	VARCHAR2	Problem Report Problem Reproducible Name
PQM_PR_PRBL_REPD_ID	NUMBER	PR Problem Reported. Primary key that uniquely identifies the record.
ROW_ID	NUMBER	Reserved. In future releases, this will store Surrogate key to uniquely identify a record.

**PQM\_PR\_PRG\_D**

PR Programs Dimension Table. This table is conforming across Fact tables in PR Subject Area. Out of the box, this table is not populated with Agile PLM data. The table is populated only when the Agile PLM attributes are mapped using BI Configurator.

Column	Type	Comments
DATASOURCE_NUM_ID	NUMBER	Reserved. This column, in future releases, will uniquely identify the source system from which data was extracted.
ENABLE	NUMBER	This flag indicates whether the Member is deleted or not enabled. 1 for yes and 0 for no. [Agile PLM] This field is derived and cannot be mapped to another Agile PLM attribute.
INTEGRATION_ID	VARCHAR2	Reserved. This column, in future releases, will be used to uniquely identify dimension or fact entity in its source system.
LAST_MODIFIED_DATE	DATE	Last Modified Date. [Agile PLM] This field is derived and cannot be mapped to another Agile PLM attribute.
LIST_ID	NUMBER	List ID associated with attribute.
NAME	VARCHAR2	Problem Report Program Name
PQM_PR_PRG_ID	NUMBER	PR Program. Primary key that uniquely identifies the record.
ROW_ID	NUMBER	Reserved. In future releases, this will store Surrogate key to uniquely identify a record.

***PQM\_PR\_PRG\_TASK\_B***

PR Program Tasks Bridge Table. Maintains data between PR and Program Task to resolve many to many relationships. Out of the box, this table is not populated with Agile PLM data. The table is populated when Agile PLM Multilist type attribute is configured to corresponding column in the Fact table using BI Configurator.

<b>Column</b>	<b>Type</b>	<b>Comments</b>
DATASOURCE_NUM_ID	NUMBER	Reserved. This column, in future releases, will uniquely identify the source system from which data was extracted.
INTEGRATION_ID	VARCHAR2	Reserved. This column, in future releases, will be used to uniquely identify dimension or fact entity in its source system.
PQM_PR_ID	NUMBER	PR.
PQM_PR_PRG_TASK_ID	NUMBER	PR Program Task.
ROW_ID	NUMBER	Reserved. In future releases, this will store Surrogate key to uniquely identify a record.

**PQM\_PR\_PRG\_TASK\_D**

PR Program Tasks Dimension Table. This table is conforming across fact tables in PR Subject Area. Out of the box, this table is not populated with Agile PLM data. The table is populated only when the Agile PLM attributes are mapped using BI Configurator.

Column	Type	Comments
DATASOURCE_NUM_ID	NUMBER	Reserved. This column, in future releases, will uniquely identify the source system from which data was extracted.
ENABLE	NUMBER	This flag indicates whether the Member is deleted or not enabled. 1 for yes and 0 for no. [Agile PLM] This field is derived and cannot be mapped to another Agile PLM attribute.
INTEGRATION_ID	VARCHAR2	Reserved. This column, in future releases, will be used to uniquely identify dimension or fact entity in its source system.
LAST_MODIFIED_DATE	DATE	Last Modified Date. [Agile PLM] This field is derived and cannot be mapped to another Agile PLM attribute.
LIST_ID	NUMBER	List ID associated with attribute.
NAME	VARCHAR2	Problem Report Program Task Name
PQM_PR_PRG_TASK_ID	NUMBER	PR Program Task. Primary key that uniquely identifies the record.
ROW_ID	NUMBER	Reserved. In future releases, this will store Surrogate key to uniquely identify a record.

**PQM\_PR\_PRIORITY\_D**

PR Priority Dimension Table. This table is conforming across Fact tables in PR Subject Area. Out of the box, this table is not populated with Agile PLM data. The table is populated only when the Agile PLM attributes are mapped using BI Configurator.

Column	Type	Comments
DATASOURCE_NUM_ID	NUMBER	Reserved. This column, in future releases, will uniquely identify the source system from which data was extracted.
ENABLE	NUMBER	This flag indicates whether the Member is deleted or not enabled. 1 for yes and 0 for no. [Agile PLM] This field is derived and cannot be mapped to another Agile PLM attribute.
INTEGRATION_ID	VARCHAR2	Reserved. This column, in future releases, will be used to uniquely identify dimension or fact entity in its source system.
LAST_MODIFIED_DATE	DATE	Last Modified Date. [Agile PLM] This field is derived and cannot be mapped to another Agile PLM attribute.
LIST_ID	NUMBER	List ID associated with attribute.
NAME	VARCHAR2	Problem Report Priority Name
PQM_PR_PRIORITY_ID	NUMBER	PR Priority. Foreign key to PQM_PR_PRIORITY_D. [Agile PLM] This field maps to the PRIORITY_ID attribute. This field cannot be mapped to another Agile PLM attribute.
ROW_ID	NUMBER	Reserved. In future releases, this will store Surrogate key to uniquely identify a record.

**PQM\_PR\_PROBLEM\_TYPE\_D**

PR Problem Type Dimension Table. This table is conforming across fact tables in PR Subject Area. Out of the box, this table is not populated with Agile PLM data. The table is populated only when the Agile PLM attributes are mapped using BI Configurator.

Column	Type	Comments
DATASOURCE_NUM_ID	NUMBER	Reserved. This column, in future releases, will uniquely identify the source system from which data was extracted.
ENABLE	NUMBER	This flag indicates whether the Member is deleted or not enabled. 1 for yes and 0 for no. [Agile PLM] This field is derived and cannot be mapped to another Agile PLM attribute.
INTEGRATION_ID	VARCHAR2	Reserved. This column, in future releases, will be used to uniquely identify dimension or fact entity in its source system.
LAST_MODIFIED_DATE	DATE	Last Modified Date. [Agile PLM] This field is derived and cannot be mapped to another Agile PLM attribute.
LIST_ID	NUMBER	List ID associated with attribute.
NAME	VARCHAR2	Problem Report Problem Type Name
PQM_PR_PROBLEM_TYPE_ID	NUMBER	Primary Key for the Dimension Table. Primary key that uniquely identifies the record.
ROW_ID	NUMBER	Reserved. In future releases, this will store Surrogate key to uniquely identify a record.

**PQM\_PR\_PRODUCTLINE\_B**

PR Productline Bridge Table. Maintains data between PR and Productline to resolve many to many relationships. Out of the box, this table is not populated with Agile PLM data. The table is populated when Agile PLM Multilist type attribute is configured to corresponding column in the Fact table using BI Configurator.

Column	Type	Comments
DATASOURCE_NUM_ID	NUMBER	Reserved. This column, in future releases, will uniquely identify the source system from which data was extracted.
INTEGRATION_ID	VARCHAR2	Reserved. This column, in future releases, will be used to uniquely identify dimension or fact entity in its source system.
PQM_PRODUCTLINE_ID	NUMBER	PQM Productline ID. Foreign key to PQM_PRODUCTLINE_D.
PQM_PR_ID	NUMBER	PQM PR ID. Foreign key to PQM_PR_F.
ROW_ID	NUMBER	Reserved. In future releases, this will store Surrogate key to uniquely identify a record.

**PQM\_PR\_QMS\_B**

PR QMS Bridge Table. Maintains data between PR and QMS to resolve many to many relationships. Out of the box, this table is not populated with Agile PLM data. The table is populated when Agile PLM Multilist type attribute is configured to corresponding column in the Fact table using BI Configurator.

Column	Type	Comments
DATASOURCE_NUM_ID	NUMBER	Reserved. This column, in future releases, will uniquely identify the source system from which data was extracted.
INTEGRATION_ID	VARCHAR2	Reserved. This column, in future releases, will be used to uniquely identify dimension or fact entity in its source system.
PQM_PR_ID	NUMBER	PR.
PQM_PR_QMS_ID	NUMBER	PR QMS.
ROW_ID	NUMBER	Reserved. In future releases, this will store Surrogate key to uniquely identify a record.

**PQM\_PR\_QMS\_D**

PR QMS Dimension Table. This table is conforming across Fact tables in PR Subject Area. Out of the box, this table is not populated with Agile PLM data. The table is populated only when the Agile PLM attributes are mapped using BI Configurator.

Column	Type	Comments
DATASOURCE_NUM_ID	NUMBER	Reserved. This column, in future releases, will uniquely identify the source system from which data was extracted.
ENABLE	NUMBER	This flag indicates whether the Member is deleted or not enabled. 1 for yes and 0 for no. [Agile PLM] This field is derived and cannot be mapped to another Agile PLM attribute.
INTEGRATION_ID	VARCHAR2	Reserved. This column, in future releases, will be used to uniquely identify dimension or fact entity in its source system.
LAST_MODIFIED_DATE	DATE	Last Modified Date. [Agile PLM] This field is derived and cannot be mapped to another Agile PLM attribute.
LIST_ID	NUMBER	List ID associated with attribute.
NAME	VARCHAR2	Problem Report QMS Name
PQM_PR_QMS_ID	NUMBER	PR QMS. Primary key that uniquely identifies the record.
ROW_ID	NUMBER	Reserved. In future releases, this will store Surrogate key to uniquely identify a record.

**PQM\_PR\_REASON\_CODE\_D**

PR Reason Codes Dimension Table. This table is conforming across Fact tables in PR Subject Area. Out of the box, this table is not populated with Agile PLM data. The table is populated only when the Agile PLM attributes are mapped using BI Configurator.

Column	Type	Comments
DATASOURCE_NUM_ID	NUMBER	Reserved. This column, in future releases, will uniquely identify the source system from which data was extracted.
ENABLE	NUMBER	This flag indicates whether the Member is deleted or not enabled. 1 for yes and 0 for no. [Agile PLM] This field is derived and cannot be mapped to another Agile PLM attribute.
INTEGRATION_ID	VARCHAR2	Reserved. This column, in future releases, will be used to uniquely identify dimension or fact entity in its source system.
LAST_MODIFIED_DATE	DATE	Last Modified Date. [Agile PLM] This field is derived and cannot be mapped to another Agile PLM attribute.
LIST_ID	NUMBER	List ID associated with attribute.
NAME	VARCHAR2	Problem Report Reason Code Name
PQM_PR_REASON_CODE_ID	NUMBER	PR Reason Code. Primary key that uniquely identifies the record.
ROW_ID	NUMBER	Reserved. In future releases, this will store Surrogate key to uniquely identify a record.

**PQM\_PR\_REG\_RPT\_TYPE\_D**

PR Regulatory Report Types Dimension Table. This table is conforming across Fact tables in PR Subject Area. Out of the box, this table is not populated with Agile PLM data. The table is populated only when the Agile PLM attributes are mapped using BI Configurator.

Column	Type	Comments
DATASOURCE_NUM_ID	NUMBER	Reserved. This column, in future releases, will uniquely identify the source system from which data was extracted.
ENABLE	NUMBER	This flag indicates whether the Member is deleted or not enabled. 1 for yes and 0 for no. [Agile PLM] This field is derived and cannot be mapped to another Agile PLM attribute.
INTEGRATION_ID	VARCHAR2	Reserved. This column, in future releases, will be used to uniquely identify dimension or fact entity in its source system.
LAST_MODIFIED_DATE	DATE	Last Modified Date. [Agile PLM] This field is derived and cannot be mapped to another Agile PLM attribute.
LIST_ID	NUMBER	List ID associated with attribute.
NAME	VARCHAR2	Problem Report Regulatory Reported Type Name
PQM_PR_REG_RPT_TYPE_ID	NUMBER	PR Registered Report Type. Primary key that uniquely identifies the record.
ROW_ID	NUMBER	Reserved. In future releases, this will store Surrogate key to uniquely identify a record.

**PQM\_PR\_RESOLUTION\_D**

PR Dispositions Dimension Table. This table is conforming across fact tables in PR Subject Area. Out of the box, this table is not populated with Agile PLM data. The table is populated only when the Agile PLM attributes are mapped using BI Configurator.

Column	Type	Comments
DATASOURCE_NUM_ID	NUMBER	Reserved. This column, in future releases, will uniquely identify the source system from which data was extracted.
ENABLE	NUMBER	This flag indicates whether the Member is deleted or not enabled. 1 for yes and 0 for no. [Agile PLM] This field is derived and cannot be mapped to another Agile PLM attribute.
INTEGRATION_ID	VARCHAR2	Reserved. This column, in future releases, will be used to uniquely identify dimension or fact entity in its source system.
LAST_MODIFIED_DATE	DATE	Last Modified Date. [Agile PLM] This field is derived and cannot be mapped to another Agile PLM attribute.
LIST_ID	NUMBER	List ID associated with attribute.
NAME	VARCHAR2	Problem Report Resolution Type Name
PQM_PR_RESOLUTION_ID	NUMBER	Primary Key for the Dimension Table. Primary key that uniquely identifies the record.
ROW_ID	NUMBER	Reserved. In future releases, this will store Surrogate key to uniquely identify a record.

**PQM\_PR\_RPT\_FAILURE\_TYPE\_D**

PR Reported Failure Type Dimension Table. This table is conforming across Fact tables in PR Subject Area. Out of the box, this table is not populated with Agile PLM data. The table is populated only when the Agile PLM attributes are mapped using BI Configurator.

Column	Type	Comments
DATASOURCE_NUM_ID	NUMBER	Reserved. This column, in future releases, will uniquely identify the source system from which data was extracted.
ENABLE	NUMBER	This flag indicates whether the Member is deleted or not enabled. 1 for yes and 0 for no. [Agile PLM] This field is derived and cannot be mapped to another Agile PLM attribute.
INTEGRATION_ID	VARCHAR2	Reserved. This column, in future releases, will be used to uniquely identify dimension or fact entity in its source system.
LAST_MODIFIED_DATE	DATE	Last Modified Date. [Agile PLM] This field is derived and cannot be mapped to another Agile PLM attribute.
LIST_ID	NUMBER	List ID associated with attribute.
NAME	VARCHAR2	Problem Report Reported Failure Type Name
PQM_PR_RPT_FAILURE_TYPE_ID	NUMBER	Primary Key for the Dimension Table. Primary key that uniquely identifies the record.
ROW_ID	NUMBER	Reserved. In future releases, this will store Surrogate key to uniquely identify a record.

**PQM\_PR\_SALES\_REGION\_D**

PR Sales Regions Dimension Table. This table is conforming across Fact tables in PR Subject Area. Out of the box, this table is not populated with Agile PLM data. The table is populated only when the Agile PLM attributes are mapped using BI Configurator.

Column	Type	Comments
DATASOURCE_NUM_ID	NUMBER	Reserved. This column, in future releases, will uniquely identify the source system from which data was extracted.
ENABLE	NUMBER	This flag indicates whether the Member is deleted or not enabled. 1 for yes and 0 for no. [Agile PLM] This field is derived and cannot be mapped to another Agile PLM attribute.
INTEGRATION_ID	VARCHAR2	Reserved. This column, in future releases, will be used to uniquely identify dimension or fact entity in its source system.
LAST_MODIFIED_DATE	DATE	Last Modified Date. [Agile PLM] This field is derived and cannot be mapped to another Agile PLM attribute.
LIST_ID	NUMBER	List ID associated with attribute.
NAME	VARCHAR2	Problem Report Sales Region Name
PQM_PR_SALES_REGION_ID	NUMBER	PR Sales Region. Primary key that uniquely identifies the record.
ROW_ID	NUMBER	Reserved. In future releases, this will store Surrogate key to uniquely identify a record.

**PQM\_PR\_SEVERITY\_D**

PR Severity Dimension Table. This table is conforming across Fact tables in PR Subject Area. Out of the box, the table is mapped to the Agile PLM List configured to Severity attribute of PR Class.

Column	Type	Comments
DATASOURCE_NUM_ID	NUMBER	Reserved. This column, in future releases, will uniquely identify the source system from which data was extracted.
ENABLE	NUMBER	This flag indicates whether the Member is deleted or not enabled. 1 for yes and 0 for no. [Agile PLM] This field is derived and cannot be mapped to another Agile PLM attribute.
INTEGRATION_ID	VARCHAR2	Reserved. This column, in future releases, will be used to uniquely identify dimension or fact entity in its source system.
LAST_MODIFIED_DATE	DATE	Last Modified Date. [Agile PLM] This field is derived and cannot be mapped to another Agile PLM attribute.
LIST_ID	NUMBER	List ID associated with attribute.
NAME	VARCHAR2	Problem Report Severity Name
PQM_PR_SEVERITY_ID	NUMBER	Primary Key for the Dimension Table. Primary key that uniquely identifies the record.
ROW_ID	NUMBER	Reserved. In future releases, this will store Surrogate key to uniquely identify a record.

***PQM\_PR\_SUPPLIER\_B***

PR Supplier Bridge Table. Maintains data between PR and Supplier to resolve many to many relationships. Out of the box, this table is not populated with Agile PLM data. The table is populated when Agile PLM Multilist type attribute is configured to corresponding column in the Fact table using BI Configurator.

<b>Column</b>	<b>Type</b>	<b>Comments</b>
DATASOURCE_NUM_ID	NUMBER	Reserved. This column, in future releases, will uniquely identify the source system from which data was extracted.
INTEGRATION_ID	VARCHAR2	Reserved. This column, in future releases, will be used to uniquely identify dimension or fact entity in its source system.
PQM_PR_ID	NUMBER	PQM PR ID. Foreign key to PQM_PR_F.
ROW_ID	NUMBER	Reserved. In future releases, this will store Surrogate key to uniquely identify a record.
SUPPLIER_ID	NUMBER	Supplier ID. Foreign key to SUPPLIER_D.

***PQM\_PR\_SUSP\_FAILURE\_TYPE\_D***

PR Suspected Failure Type Dimension Table. This table is conforming across Fact tables in PR Subject Area. Out of the box, this table is not populated with Agile PLM data. The table is populated only when the Agile PLM attributes are mapped using BI Configurator.

Column	Type	Comments
DATASOURCE_NUM_ID	NUMBER	Reserved. This column, in future releases, will uniquely identify the source system from which data was extracted.
ENABLE	NUMBER	This flag indicates whether the Member is deleted or not enabled. 1 for yes and 0 for no. [Agile PLM] This field is derived and cannot be mapped to another Agile PLM attribute.
INTEGRATION_ID	VARCHAR2	Reserved. This column, in future releases, will be used to uniquely identify dimension or fact entity in its source system.
LAST_MODIFIED_DATE	DATE	Last Modified Date. [Agile PLM] This field is derived and cannot be mapped to another Agile PLM attribute.
LIST_ID	NUMBER	List ID associated with attribute.
NAME	VARCHAR2	Problem Report Suspected Failure Type Name
PQM_PR_SUSP_FAILURE_TYPE_ID	NUMBER	Primary Key for the Dimension Table. Primary key that uniquely identifies the record.
ROW_ID	NUMBER	Reserved. In future releases, this will store Surrogate key to uniquely identify a record.

**PQM\_PR\_TYPE\_D**

PR Types or Subclasses Dimension Table. This table is conforming across fact tables in PR Subject Area. Out of the box, the table is mapped to the Agile PLM List configured to Types or Subclasses attribute of PR Class.

Column	Type	Comments
DATASOURCE_NUM_ID	NUMBER	Reserved. This column, in future releases, will uniquely identify the source system from which data was extracted.
ENABLE	NUMBER	This flag indicates whether the Member is deleted or not enabled. 1 for yes and 0 for no. [Agile PLM] This field is derived and cannot be mapped to another Agile PLM attribute.
INTEGRATION_ID	VARCHAR2	Reserved. This column, in future releases, will be used to uniquely identify dimension or fact entity in its source system.
LAST_MODIFIED_DATE	DATE	Last Modified Date. [Agile PLM] This field is derived and cannot be mapped to another Agile PLM attribute.
LIST_ID	NUMBER	List ID associated with attribute.
NAME	VARCHAR2	Problem Report Type Name
PQM_PR_TYPE_ID	NUMBER	PR Type. [Agile PLM] This field maps to the SUBCLASS_ID attribute in PSR_PR class. Primary key that uniquely identifies the record.
ROW_ID	NUMBER	Reserved. In future releases, this will store Surrogate key to uniquely identify a record.

**PQM\_PR\_WORKFLOW\_D**

PR Workflow Dimension Table. This table is conforming across fact tables in PR Subject Area. Out of the box, the table contains all the Agile PLM workflows assigned to PR and the states within each of the workflow.

Column	Type	Comments
DATASOURCE_NUM_ID	NUMBER	Reserved. This column, in future releases, will uniquely identify the source system from which data was extracted.
ENABLE	NUMBER	This flag indicates whether the Member is deleted or not enabled. 1 for yes and 0 for no. [Agile PLM] This field is derived and cannot be mapped to another Agile PLM attribute.
INTEGRATION_ID	VARCHAR2	Reserved. This column, in future releases, will be used to uniquely identify dimension or fact entity in its source system.
LIST_ID	NUMBER	List ID associated with attribute.
PQM_PR_WORKFLOW_ID	NUMBER	Workflow ID. Foreign key to PQM_PR_WORKFLOW_D. Primary key that uniquely identifies the record. [Agile PLM] This field cannot be mapped to another Agile PLM attribute.
ROW_ID	NUMBER	Reserved. In future releases, this will store Surrogate key to uniquely identify a record.
WORKFLOW	VARCHAR2	Name of the workflow.
WORKFLOW_ID	NUMBER	Workflow Key.
WORKFLOW_STATE	VARCHAR2	Workflow State.
WORKFLOW_STATE_ID	NUMBER	Workflow State Key.
WORKFLOW_TYPE	VARCHAR2	Workflow Type.

**PQM\_PR\_WORKFLOW\_DETAIL\_DATA**

PR Workflow Details Data Table. This table holds the details of the workflow such as status cycle time, status cycle time in progress for each combination of workflow states.

Column	Type	Comments
CUR_WKFLW_STATE_FLG	NUMBER	
DATASOURCE_NUM_ID	NUMBER	Reserved. This column, in future releases, will uniquely identify the source system from which data was extracted.
DURATION_DAYS	NUMBER	To indicate the age of the PR if not released. Or the duration when it is released. (Released date-Originated Date) and if the Release date is null it is System date or ETL Run date - Originated date. [Agile PLM] This field is derived and cannot be mapped to another Agile PLM attribute.
ENTRY_TIME_ID	NUMBER	Entry time of the From Workflow State. [Agile PLM] This field is derived and cannot be mapped to another Agile PLM attribute.
EXIT_TIME_ID	NUMBER	Exit time of the From Workflow State. [Agile PLM] This field is derived and cannot be mapped to another Agile PLM attribute.
FROM_PQM_PR_WORKFLOW_ID	NUMBER	All Possible start states of Workflow. Foreign key to PQM_PR_WORKFLOW_D.PQM_PR_WORKFLOW_ID. [Agile PLM] This field is derived and cannot be mapped to another Agile PLM attribute.
INTEGRATION_ID	VARCHAR2	Reserved. This column, in future releases, will be used to uniquely identify dimension or fact entity in its source system.
OPEN_FLAG	NUMBER	This flag indicates whether the object is open, where the object has exited to the TO workflow state. 1 for yes and 0 for no. [Agile PLM] This field is derived and cannot be mapped to another Agile PLM attribute.
PQM_PR_ID	NUMBER	Primary key for the table. [Agile PLM] This field maps to the ID attribute in PSR_PR class.
PQM_PR_WORKFLOW_ID	NUMBER	Workflow ID. Foreign key to PQM_PR_WORKFLOW_D. [Agile PLM] This field is derived and cannot be mapped to another Agile PLM attribute.
ROW_ID	NUMBER	Reserved. In future releases, this will store Surrogate key to uniquely identify a record.
TO_PQM_PR_WORKFLOW_ID	NUMBER	All Possible end states of Workflow. Foreign key to PQM_PR_WORKFLOW_D.PQM_PR_WORKFLOW_ID. [Agile PLM] This field is derived and cannot be mapped to another Agile PLM attribute.

**REVISION\_CHANGE\_TYPE\_D**

Revision Change Types for Item Dimension Table. This table is conforming across Fact tables in Item Subject Area. Out of the box, the table is mapped to the Agile PLM List configured to Revision Change Type attribute of Parts Class.

Column	Type	Comments
DATASOURCE_NUM_ID	NUMBER	Reserved. This column, in future releases, will uniquely identify the source system from which data was extracted.
ENABLE	NUMBER	This flag indicates whether the Member is deleted or not enabled. 1 for yes and 0 for no. [Agile PLM] This field is derived and cannot be mapped to another Agile PLM attribute.
INTEGRATION_ID	VARCHAR2	Reserved. This column, in future releases, will be used to uniquely identify dimension or fact entity in its source system.
LAST_MODIFIED_DATE	DATE	Last Modified Date. [Agile PLM] This field is derived and cannot be mapped to another Agile PLM attribute.
LIST_ID	NUMBER	List ID associated with attribute.
NAME	VARCHAR2	Revision Change Type Name
REVISION_CHANGE_TYPE_ID	NUMBER	Primary Key for the Dimension Table. Primary key that uniquely identifies the record.
ROW_ID	NUMBER	Reserved. In future releases, this will store Surrogate key to uniquely identify a record.

**SITE\_D**

Sites Dimension Table. This table is conforming across PLM. Out of the box, the table is mapped to the Agile PLM Site Object in Agile PLM.

Column	Type	Comments
DATASOURCE_NUM_ID	NUMBER	Reserved. This column, in future releases, will uniquely identify the source system from which data was extracted.
ENABLE	NUMBER	This flag indicates whether the Member is deleted or not enabled. 1 for yes and 0 for no. [Agile PLM] This field is derived and cannot be mapped to another Agile PLM attribute.
INTEGRATION_ID	VARCHAR2	Reserved. This column, in future releases, will be used to uniquely identify dimension or fact entity in its source system.
LAST_MODIFIED_DATE	DATE	Last Modified Date. [Agile PLM] This field is derived and cannot be mapped to another Agile PLM attribute.
LIST_ID	NUMBER	List ID associated with attribute.
NAME	VARCHAR2	Site Name
ROW_ID	NUMBER	Reserved. In future releases, this will store Surrogate key to uniquely identify a record.
SITE_ID	NUMBER	Primary Key for the Dimension Table. Primary key that uniquely identifies the record.

**SUPPLIER\_D**

Suppliers Dimension Table. This table is conforming across PLM. Out of the box, the table is mapped to the Supplier Object in Agile PLM.

Column	Type	Comments
DATASOURCE_NUM_ID	NUMBER	Reserved. This column, in future releases, will uniquely identify the source system from which data was extracted.
ENABLE	NUMBER	This flag indicates whether the Member is deleted or not enabled. 1 for yes and 0 for no. [Agile PLM] This field is derived and cannot be mapped to another Agile PLM attribute.
INTEGRATION_ID	VARCHAR2	Reserved. This column, in future releases, will be used to uniquely identify dimension or fact entity in its source system.
LAST_MODIFIED_DATE	DATE	Last Modified Date. [Agile PLM] This field is derived and cannot be mapped to another Agile PLM attribute.
LIST_ID	NUMBER	List ID associated with attribute.
NAME	VARCHAR2	Supplier Name
ROW_ID	NUMBER	Reserved. In future releases, this will store Surrogate key to uniquely identify a record.
SUPPLIER_ID	NUMBER	Primary Key for the Dimension Table. Primary key that uniquely identifies the record.
SUPPLIER_NO	VARCHAR2	Supplier number

**USER\_D**

Users Dimension Table. This table is conforming across PLM. Out of the box, the table is mapped to User Object in Agile PLM.

Column	Type	Comments
ADDRESS	VARCHAR2	Address.
APPROVER_PWD	VARCHAR2	Approver password
CITY	VARCHAR2	City.
COUNTRY	VARCHAR2	Country.
DATASOURCE_NUM_ID	NUMBER	Reserved. This column, in future releases, will uniquely identify the source system from which data was extracted.
EMAIL	VARCHAR2	E-Mail.
ENABLE	NUMBER	This flag indicates whether the Member is deleted or not enabled. 1 for yes and 0 for no. [Agile PLM] This field is derived and cannot be mapped to another Agile PLM attribute.
FAX	VARCHAR2	Fax Number.
FIRST_NAME	VARCHAR2	First name
GROUP_FLAG	NUMBER	This flag indicates whether the object has a group. 1 for yes and 0 for no. [Agile PLM] This field is derived and cannot be mapped to another Agile PLM attribute.
INTEGRATION_ID	VARCHAR2	Reserved. This column, in future releases, will be used to uniquely identify dimension or fact entity in its source system.
LAST_MODIFIED_DATE	DATE	Last Modified Date. [Agile PLM] This field is derived and cannot be mapped to another Agile PLM attribute.
LAST_NAME	VARCHAR2	Last name
LIST_ID	NUMBER	List ID associated with attribute.
LOCALE_CODE	NUMBER	Locale Code.
LOGINID	VARCHAR2	Login ID
LOGIN_PWD	VARCHAR2	Login password
MIDDLE_INITIAL	VARCHAR2	Middle initial
MOBILE	VARCHAR2	Mobile Number.
NAME	VARCHAR2	User Name
PAGER	VARCHAR2	Pager.
PC_ECO_ORIGINATOR_FLAG	NUMBER	This flag indicates whether the object has an ECO originator. 1 for yes and 0 for no. [Agile PLM] This field is derived and cannot be mapped to another Agile PLM attribute.
PC_ECO_OWNER_FLAG	NUMBER	This flag indicates whether the object has an ECO owner. 1 for yes and 0 for no. [Agile PLM] This field is derived and cannot be mapped to another Agile PLM attribute.
PC_ECR_ORIGINATOR_FLAG	NUMBER	This flag indicates whether the object has a ECR originator. 1 for yes and 0 for no. [Agile PLM] This field is derived and cannot be mapped to another Agile PLM attribute.
PC_ECR_OWNER_FLAG	NUMBER	This flag indicates whether the object has an ECR owner. 1 for yes and 0 for no. [Agile PLM] This field is derived and cannot be mapped to another Agile PLM attribute.
PC_MCO_ORIGINATOR_FLAG	NUMBER	
PC_MCO_OWNER_FLAG	NUMBER	
PC_SS_ORIGINATOR_FLAG	NUMBER	This flag indicates whether the object has a Stop Ship originator. 1 for yes and 0 for no. [Agile PLM] This field is derived and cannot be mapped to another Agile PLM attribute.

PC_SS_OWNER_FLAG	NUMBER	This flag indicates whether the object has a Stop Ship owner. 1 for yes and 0 for no. [Agile PLM] This field is derived and cannot be mapped to another Agile PLM attribute.
PQM_ORIGINATOR_FLAG	NUMBER	If the User is Originator its 1 else 0. [Agile PLM] This field is derived and cannot be mapped to another Agile PLM attribute.
PQM_PR_OWNER_FLAG	NUMBER	If User is owner its 1 else 0. [Agile PLM] This field is derived and cannot be mapped to another Agile PLM attribute.
PQM_QUALITY_ANALYST_FLAG	NUMBER	If User is Quality Analyst its 1 else 0. [Agile PLM] This field is derived and cannot be mapped to another Agile PLM attribute.
ROW_WID	NUMBER	Row WID
STATE	VARCHAR2	State.
SYSTEM_ACCOUNT	NUMBER	System account
TITLE	VARCHAR2	Title.
USER_ID	NUMBER	Primary Key for the Dimension Table. Primary key that uniquely identifies the record.
USE_LOGIN_PWD	NUMBER	Use login password
WORK_PHONE	VARCHAR2	Work Phone Number.
ZIP	VARCHAR2	Zip code.

***USER\_PRODUCTLINE\_B***

Productline Bridge Table. Maintains many to many relationships between product lines and users.

<b>Column</b>	<b>Type</b>	<b>Comments</b>
DATASOURCE_NUM_ID	NUMBER	Datasource number ID
INTEGRATION_ID	VARCHAR2	Integration ID
PRODUCTLINE_ID	NUMBER	Productline ID
ROW_WID	NUMBER	Row WID
USER_ID	NUMBER	User ID

**USER\_SIGNOFF\_TYPE\_D**

User Signoff Types Dimension Table. This table is conforming across PLM. Out of the box, the table is mapped to the Signoff User Types in Agile PLM.

Column	Type	Comments
DATASOURCE_NUM_ID	NUMBER	Reserved. This column, in future releases, will uniquely identify the source system from which data was extracted.
ENABLE	NUMBER	This flag indicates whether the Member is deleted or not enabled. 1 for yes and 0 for no. [Agile PLM] This field is derived and cannot be mapped to another Agile PLM attribute.
INTEGRATION_ID	VARCHAR2	Reserved. This column, in future releases, will be used to uniquely identify dimension or fact entity in its source system.
LAST_MODIFIED_DATE	DATE	Last Modified Date. [Agile PLM] This field is derived and cannot be mapped to another Agile PLM attribute.
LIST_ID	NUMBER	List ID associated with attribute.
NAME	VARCHAR2	User Signoff Type Name
ROW_ID	NUMBER	Reserved. In future releases, this will store Surrogate key to uniquely identify a record.
USER_SIGNOFF_TYPE_ID	NUMBER	User Signoff Type ID. Primary key that uniquely identifies the record.

**USER\_USER\_GROUP\_B**

User Group Bridge Table. Maintains data between User and User Group to resolve many to many relationships. Out of the box, this table is not populated with Agile PLM data. The table is populated when Agile PLM Multilist type attribute is configured to corresponding column in the Fact table using BI Configurator.

Column	Type	Comments
DATASOURCE_NUM_ID	NUMBER	Reserved. This column, in future releases, will uniquely identify the source system from which data was extracted.
INTEGRATION_ID	VARCHAR2	Reserved. This column, in future releases, will be used to uniquely identify dimension or fact entity in its source system.
ROW_ID	NUMBER	Reserved. In future releases, this will store Surrogate key to uniquely identify a record.
USER_GROUP_ID	NUMBER	User Group.
USER_ID	NUMBER	User.

**W\_DAY\_D**

Day Dimension Table. Stores time information for report calculations.

Column	Type	Comments
CALENDAR_DATE	DATE	Calendar date. Identifies the calendar date.
CAL_HALF	NUMBER	Calendar half year. Identifies the calendar half-year this day belongs to. Possible values are 1 and 2.
CAL_MONTH	NUMBER	Calendar Month. Identifies the calendar month in MM format.
CAL_QTR	NUMBER	Calendar Quarter. Identifies the calendar quarter this day belongs to. Possible values are 1, 2, 3, and 4.
CAL_TRIMESTER	NUMBER	Calendar Trimester. Identifies the calendar trimester this day belongs to. Possible values are 1, 2 and 3.
CAL_WEEK	NUMBER	Calendar Week. Identifies the calendar week this day belongs to. Possible values are 1 through 53.
CAL_YEAR	NUMBER	Calendar Year. Identifies the calendar year in YYYY format.
DATASOURCE_NUM_ID	NUMBER	Reserved. This column, in future releases, will uniquely identify the source system from which data was extracted.
DATE_KEY	NUMBER	Date Key. Identifies Date in Julian Format
DAY_AGO_DT	DATE	Day Ago DT.
DAY_AGO_KEY	NUMBER	Day Ago Key.
DAY_AGO_WID	NUMBER	Day Ago ID.
DAY_DT	DATE	Day DT. Calendar date of the day
DAY_NAME	VARCHAR2	Day Name. Identifies the name of the day. Sunday, Monday, Tuesday, etc.
DAY_OF_MONTH	NUMBER	Day Of Month. Identifies the day of month. Possible values are 1 through 31.
DAY_OF_WEEK	NUMBER	Day Of Week. Identifies the day of week. Possible values are 1 through 7.
DAY_OF_YEAR	NUMBER	Day Of Year. Possible values are 1 through 366.
FSCL_DAY_OF_MONTH	NUMBER	Fiscal Day Of Month. Identifies the day of the fiscal month. For example, 1, 2, ...25, ...28, etc.
FSCL_DAY_OF_WEEK	NUMBER	Fiscal Day Of Week. Identifies which day of the fiscal week. For example, 1, 2, ... 7, etc.
FSCL_DAY_OF_YEAR	NUMBER	Fiscal Day Of Year. Identifies the day of the fiscal year. For example, 1, 2, ...300, etc.
FSCL_HALF	NUMBER	Fiscal Half. Identifies the half of fiscal year this day belongs to. Possible values are 1 and 2.
FSCL_MONTH	NUMBER	Fiscal Month.
FSCL_QTR	NUMBER	Fiscal Quarter.
FSCL_TRIMESTER	NUMBER	Fiscal Trimester.
FSCL_WEEK	NUMBER	Fiscal Week.
FSCL_YEAR	NUMBER	Fiscal Year.
FSC_FST_DAY_KEY	NUMBER	Fsc Fst Day Key.
HALF_AGO_DT	DATE	Half Ago DT.
HALF_AGO_KEY	NUMBER	Half Ago Key.
HALF_AGO_WID	NUMBER	Half Ago ID.
INTEGRATION_ID	VARCHAR2	Reserved. This column, in future releases, will be used to uniquely identify dimension or fact entity in its source system.
JULIAN_DAY_NUM	NUMBER	Julian Day Number.
JULIAN_MONTH_NUM	NUMBER	Julian Month Number.
JULIAN_QTR_NUM	NUMBER	Julian Quarter Number.

JULIAN_TER_NUM	NUMBER	Julian Trimester Number.
JULIAN_WEEK_NUM	NUMBER	Julian Week Number.
JULIAN_YEAR_NUM	NUMBER	Julian Year Number.
MONTH_AGO_DT	DATE	Month Ago DT.
MONTH_AGO_KEY	NUMBER	Month Ago Key.
MONTH_AGO_WID	NUMBER	Month Ago ID.
MONTH_NAME	VARCHAR2	Month Name.
PERIOD_KEY	NUMBER	Period Key.
PER_NAME_FSCL_HALF	VARCHAR2	Personalized Name Fiscal Half.
PER_NAME_FSCL_MNTH	VARCHAR2	Personalized Name Fiscal Month.
PER_NAME_FSCL_QTR	VARCHAR2	Personalized Name Fiscal Quarter.
PER_NAME_FSCL_TER	VARCHAR2	Personalized Name Fiscal Trimester.
PER_NAME_FSCL_WEEK	VARCHAR2	Personalized Name Fiscal Week.
PER_NAME_FSCL_YEAR	VARCHAR2	Personalized Name Fiscal Year.
PER_NAME_HALF	VARCHAR2	Personalized Name Half.
PER_NAME_MONTH	VARCHAR2	Personalized Name Month.
PER_NAME_QTR	VARCHAR2	Personalized Name Quarter.
PER_NAME_TER	VARCHAR2	Personalized Name Trimester.
PER_NAME_WEEK	VARCHAR2	Personalized Name Week.
PER_NAME_YEAR	VARCHAR2	Personalized Name Year.
QUARTER_AGO_DT	DATE	Quarter Ago DT.
QUARTER_AGO_KEY	NUMBER	Quarter Ago Key.
QUARTER_AGO_WID	NUMBER	Quarter Ago ID.
ROW_WID	NUMBER	This uniquely identifies a day record in this table. The ROW_WID is generated by formatting date in YYYYMMDD format.
TRIMESTER_AGO_DT	DATE	Trimester Ago DT.
TRIMESTER_AGO_KEY	NUMBER	Trimester Ago Key.
TRIMESTER_AGO_WID	NUMBER	Trimester Ago ID.
WEEK_AGO_DT	DATE	Week Ago DT.
WEEK_AGO_KEY	NUMBER	Week Ago Key.
WEEK_AGO_WID	NUMBER	Week Ago ID.
YEAR_AGO_DT	DATE	Year Ago DT.
YEAR_AGO_KEY	NUMBER	Year Ago Key.
YEAR_AGO_WID	NUMBER	Year Ago ID.

**W\_LOCALIZED\_STRING\_G**

Localized Strings Table. Stores translated strings for OBIEE Presentation Layer objects.

Column	Type	Comments
ACTIVE_FLG	CHAR	Active Flag.
LANG_ID	VARCHAR2	Language ID.
MSG_FACILITY	VARCHAR2	Message Facility.
MSG_NUM	VARCHAR2	Message Num.
MSG_TEXT	VARCHAR2	Message Text.
MSG_TYPE	VARCHAR2	Message Type.
ROW_ID	VARCHAR2	Reserved. In future releases, this will store Surrogate key to uniquely identify a record.
TRANSLATE_FLG	CHAR	Translate Flag.

**W\_LOCALIZED\_STRING\_GS**

Staging table which stores the translated strings for OBIEE Presentation Layer objects.

Column	Type	Comments
ACTIVE_FLG	CHAR	
LANG_ID	VARCHAR2	
MSG_FACILITY	VARCHAR2	
MSG_NUM	VARCHAR2	
MSG_TEXT	VARCHAR2	
MSG_TYPE	VARCHAR2	
ROW_ID	VARCHAR2	
TRANSLATE_FLG	CHAR	

