

8

7

6

5

4

3

2

1

NOTES: UNLESS OTHERWISE SPECIFIED

- 1) NO ADDITIONS, DELETIONS, SUBSTITUTIONS OR MODIFICATIONS WITHOUT PRIOR WRITTEN TEKELEC APPROVAL.
 - 2) TORQUE ALL FASTENERS IN ACCORDANCE WITH TEKELEC SPECIFICATION 906-0008-01.
 - 3) REFER TO INTERCONNECT DIAGRAM (ITEM 36) FOR CABLE CONNECTIONS.
 - 4) FOR LOCATING INDIVIDUAL PARTS, USE DIMENSION SHOWN.
 - 5) DO NOT INSTALL. SHIP UNASSEMBLED AND PACKED WITH UNIT.
 - 6) LABEL SHOWN IS HALF OF ITEM 18. POSITION HORIZONTALLY AS SHOWN.
 - 7) UNLESS OTHERWISE SPECIFIED, ITEMS NOT SHOWN TO BE SHIPPED PACKED WITH UNIT.
 - 8) LOCATE APPROXIMATELY AS SHOWN.
 - 9) A QUANTITY OF 8 SCREWS (ITEM 3) ARE NEEDED TO ATTACH THE CIRCUIT BREAKER GROUND CABLES, CONSOLE SERVER AND SWITCH GROUND CABLES. THESE SCREWS ARE NOT SHOWN.
 - 10) MOUNTING SCREWS ARE PART OF SLIDE MOUNTING KIT (P/N 804-1706-01).
 - 11) MOUNTED ON TOP OF BREAKER PANEL (ITEM 31) AT THIS POSITION.
 - 12) INSTALL OPTIONAL COMPONENTS AS REQUIRED.
 - 13) DELETED
 - 14) ATTACH CHASSIS GROUND CABLE WITH SUPPLIED NUTS AND 2 SCREWS (ITEM 3), BOTH NOT SHOWN.
 - 15) RACK DOLLY, FOR SHIPPING ONLY. TO BE REMOVED DURING INSTALLATION.
 - 16) SERVER A MOUNTED ALIGNED WITH THE TOP OF THE SLIDE ADAPTER BRACKETS AS SHOWN. (THIS LOCATION ONLY).
 - 17) ITEM 44 IS USED TO LABEL CABLES. SEE SYSTEM INTERCONNECT FOR INFORMATION TO PRINT LABELS.
 - 18) REMOVE ADHESIVE BACKING AND ATTACH LABEL IN RECESSED AREA.
 - 19) OPERATING KEY (ITEM 45) NOT SHOWN. KEY TO BE PACKAGED AND SHIPPED WITH ASSEMBLY.
 - 20) THIS IS A CONFIGURABLE SYSTEM THE SALES ORDER WILL SPECIFY THE PART NUMBER AND QUANTITY FOR THE FOLLOWING ITEMS:
 - A) SERVERS
 - B) SWITCHES
 - C) CONSOLE SERVER
 - D) FRAME KITS PN 840-1137-XX (CONTAIN LABELS AND GBIC MODULES FOR THE SWITCHES IF THEY ARE REQUIRED WHEN BUILDING A ESP EXTENSION FRAME.
- MAX CONFIGURATION AS SHOWN. (SEE SYSTEM INTERCONNECT FOR ADDITIONAL DETAILS)

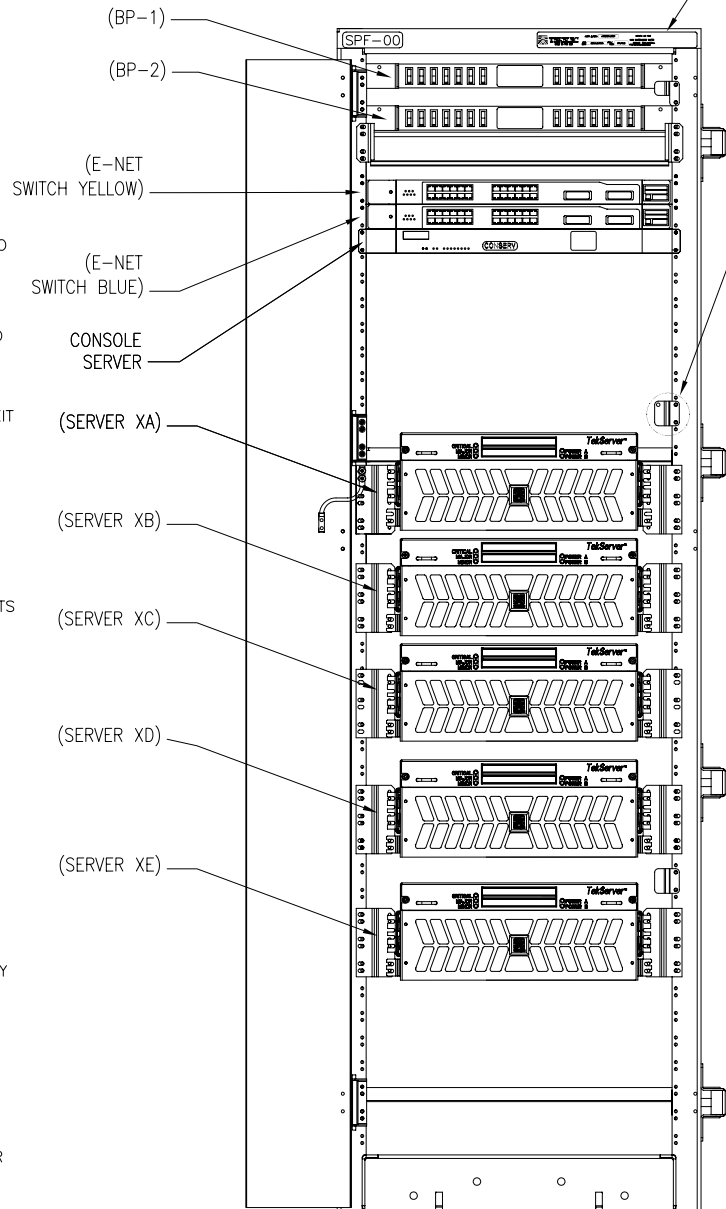
DOCUMENT CONTROL
PRODUCTION RELEASED

SEE DETAIL F FOR LABEL PLACEMENT

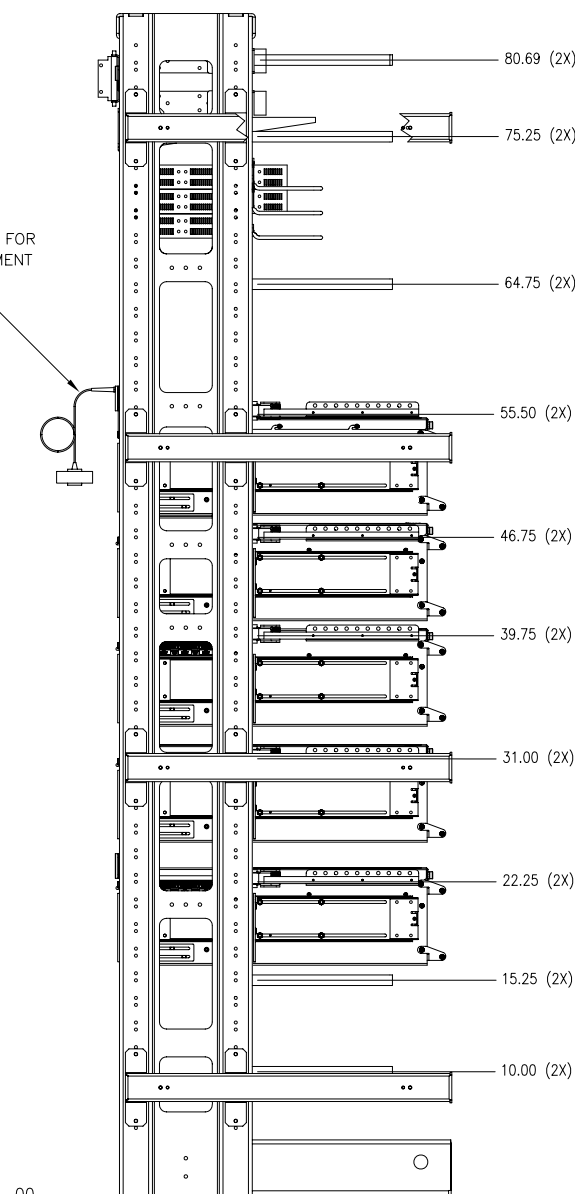
SEE DETAIL S FOR LABEL PLACEMENT

F	REVISED PER ECN# 14060	11/15/04	M.BRYAN
G	REVISED PER ECN# 14057	11/23/04	M.BRYAN
H	REVISED PER ECN# 14515	04/04/05	M.MOORE
J	REVISED PER ECN# 15874	04/27/06	M.BRYAN

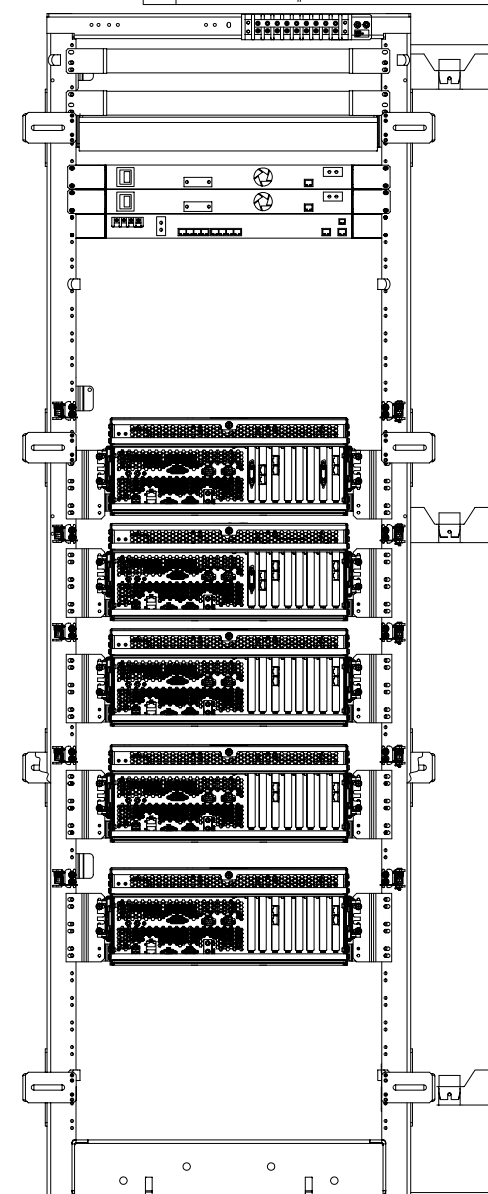
REVISIONS			
REV	DESCRIPTION	DATE	APPROVED
A	RELEASE PER ECN #13333	12/18/03	D. GRIFFITH
B	REVISED PER ECN# 13465	3/3/04	GRIFFITH
C	REVISED PER ECN# 13647	5/11/04	M.BRYAN
D	REVISED PER ECN# 13679	07/21/04	M.BRYAN
E	REVISED PER ECN# 13567	09/16/04	M.BRYAN



FRONT VIEW 20



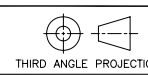
RIGHT SIDE VIEW 4 20



REAR VIEW 20

FINAL ASSEMBLY DRAWING
MAXIMUM CONFIGURATION
SEE SEPARATE PARTS LIST

UNLESS OTHERWISE SPECIFIED:
DO NOT SCALE DRAWING.
DIMENSIONS ARE IN INCHES.
INTERPRET DIMENSIONS IN ACCORDANCE WITH ASME Y14.5M-1994.
DRAWING TO CONFORM TO TEKELEC SPECIFICATION 907-0169-01.
DEBURR AND BREAK SHARP EDGES AND CORNERS .005-.015.
MACHINED SURFACE FINISH 125/
DECIMAL TOLERANCES:
.XX = ±.02 .XXX = ±.010
ANGLE TOLERANCE: ± 1°



APPROVALS	DATE
DRAWN BY H. HASTINGS	12/16/03
CHECKED M. BRYAN	12/17/03
APPROVED D. GRIFFITH	12/18/03
NEXT ASSY	USED ON
APPLICATION	
FINISH	
MATERIAL	

TEKELEC 26580 W. Agoura Road, Calabasas, California 91302

DWG_GEN_ ESP/IMF FRAME ASSEMBLY

SIZE	DIVISION	DRAWING NO.	REV.
D	CSSG	890-1833-01	J

SCALE: 1/6 FILE NAME: 890-1833-01_REV_H.DWG SHEET 1 OF 4

8

7

6

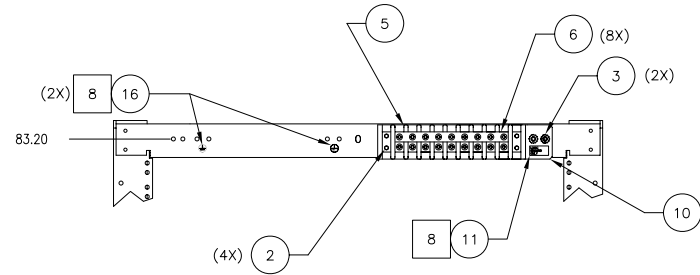
5

4

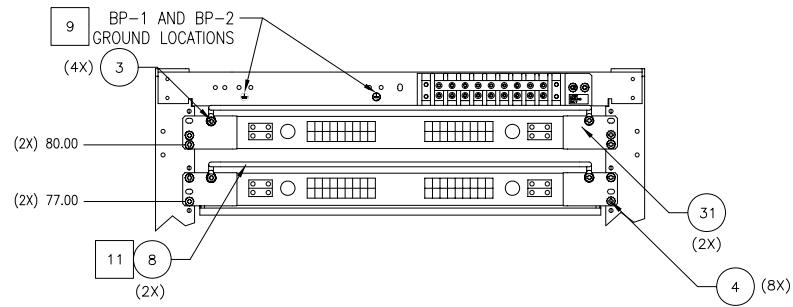
3

2

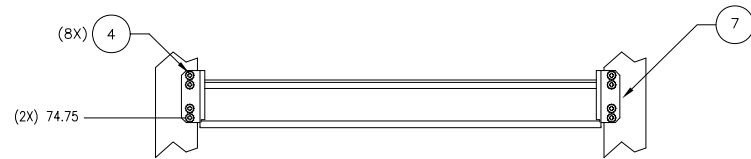
1



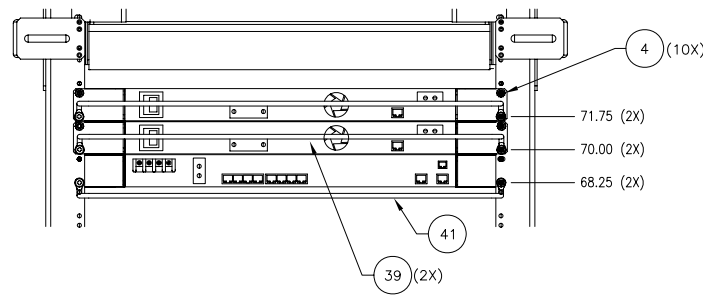
LOGIC GROUND STRIP AND FRAME
GROUND LABEL POSITIONS, REAR VIEW
DETAIL A



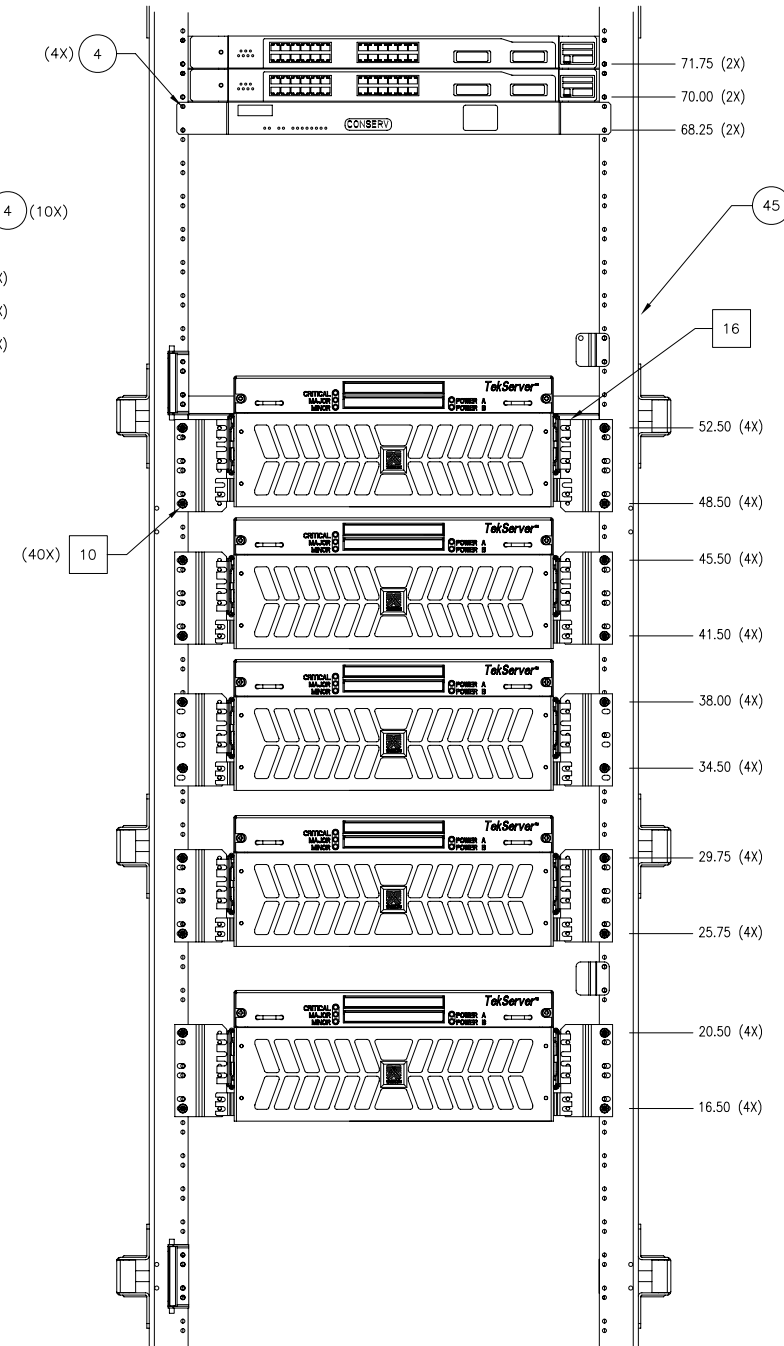
DUAL CIRCUIT BREAKER POSITIONS,
CABLE BRACKET POSITIONS REAR VIEW
DETAIL B



AIR DEFLECTOR POSITION, FRONT VIEW
DETAIL C



CABLE BRACKET POSITION, REAR VIEW
DETAIL D



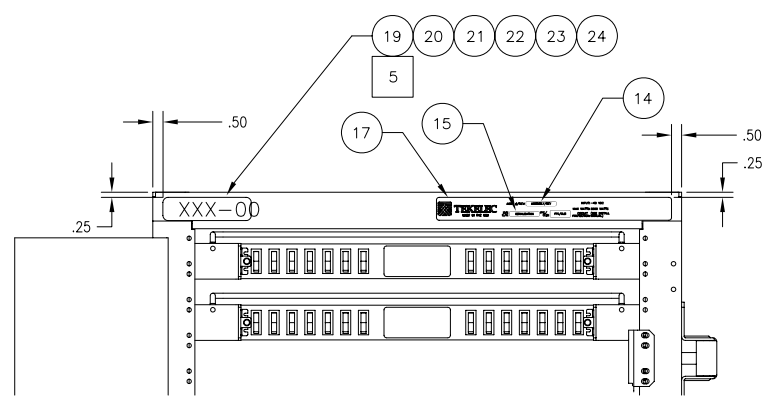
SERVER POSITION, FRONT VIEW
DETAIL E

SIZE	DIVISION	DRAWING NO.	REV.
D	NSD	890-1833-01	J
SCALE: NONE		FILE NAME: 890-1833-01_REV_H.DWG	SHEET 2 OF 4

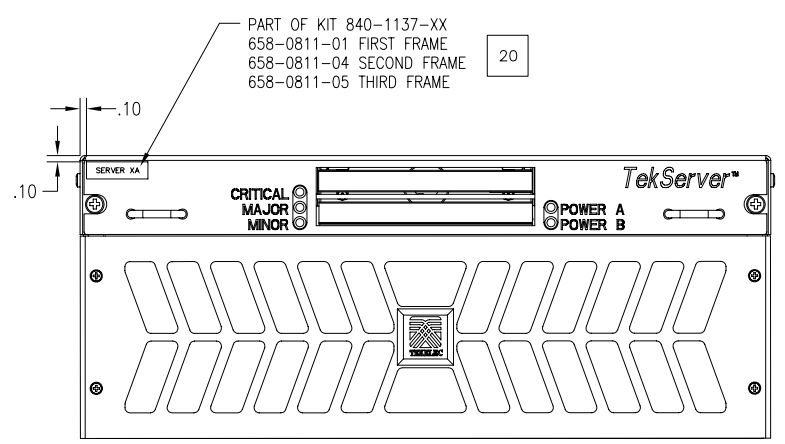
8 7 6 5 4 3 2 1

D
C
B
A

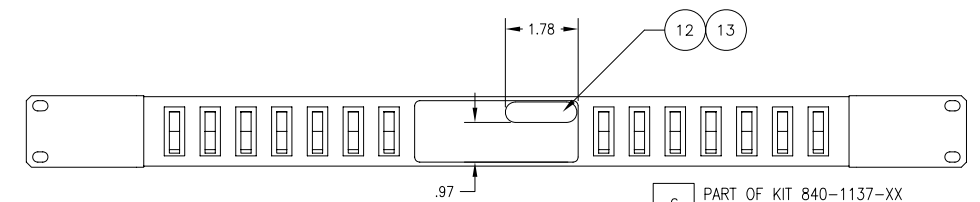
D
C
B
A



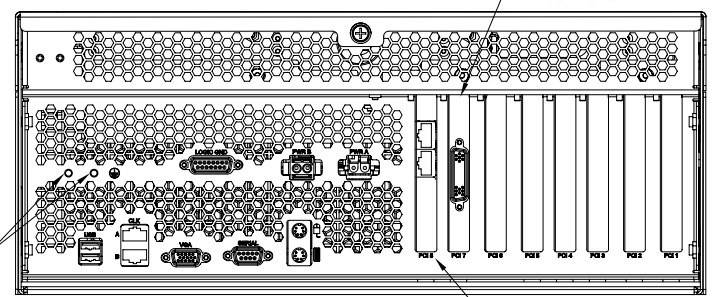
FRAME LABEL
PLACEMENT
DETAIL F



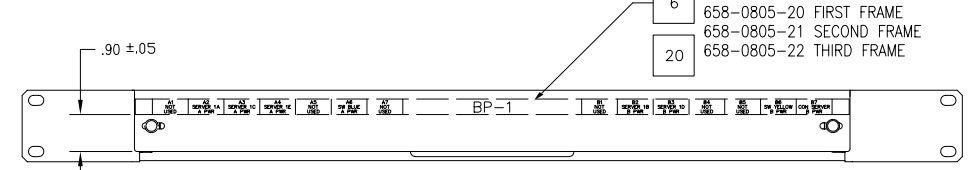
LABEL POSITION FOR
SERVER ID
DETAIL K



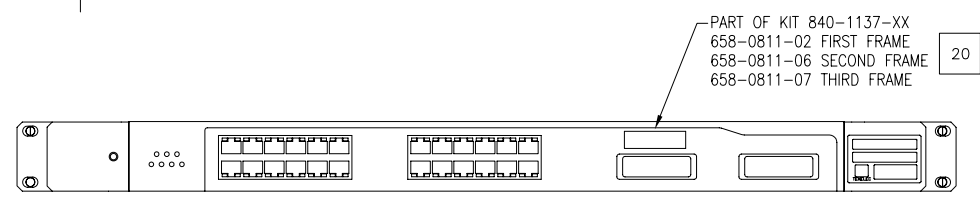
LABEL POSITION
FOR BP ID
DETAIL G
(SHOWN WITHOUT COVER)



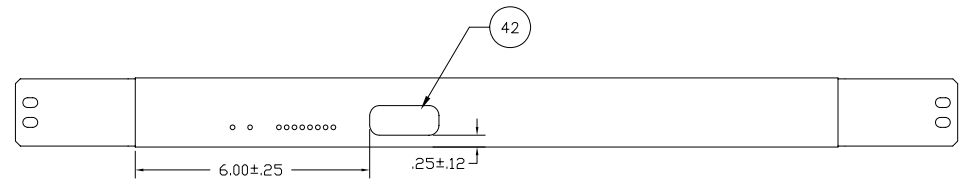
PCI CARD LOCATIONS
WITHIN SERVER 1A
DETAIL L 12



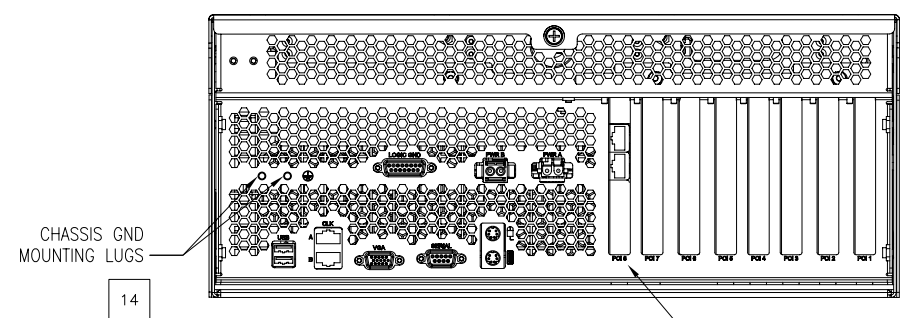
LABEL POSITION FOR
BREAKER SWITCHES
DETAIL H



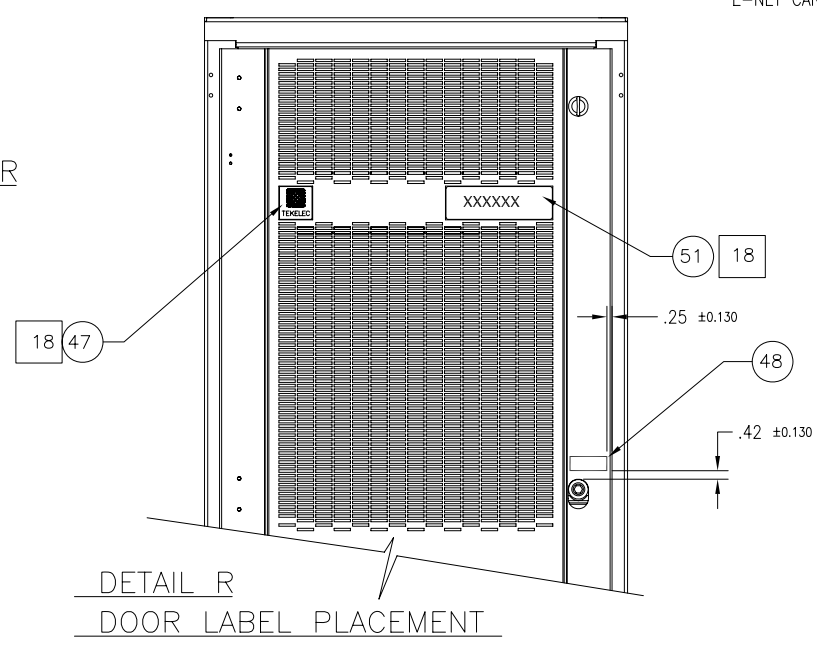
LABEL POSITION FOR
SWITCHES
DETAIL N



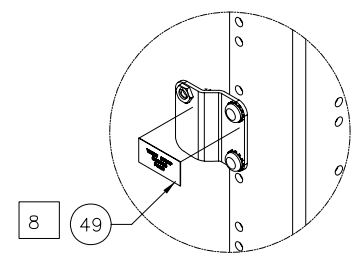
LABEL POSITION FOR
CONSOLE SERVER
DETAIL P



PCI CARD LOCATIONS
WITHIN SERVERS
1B-1E
DETAIL J 12



DETAIL R
DOOR LABEL PLACEMENT

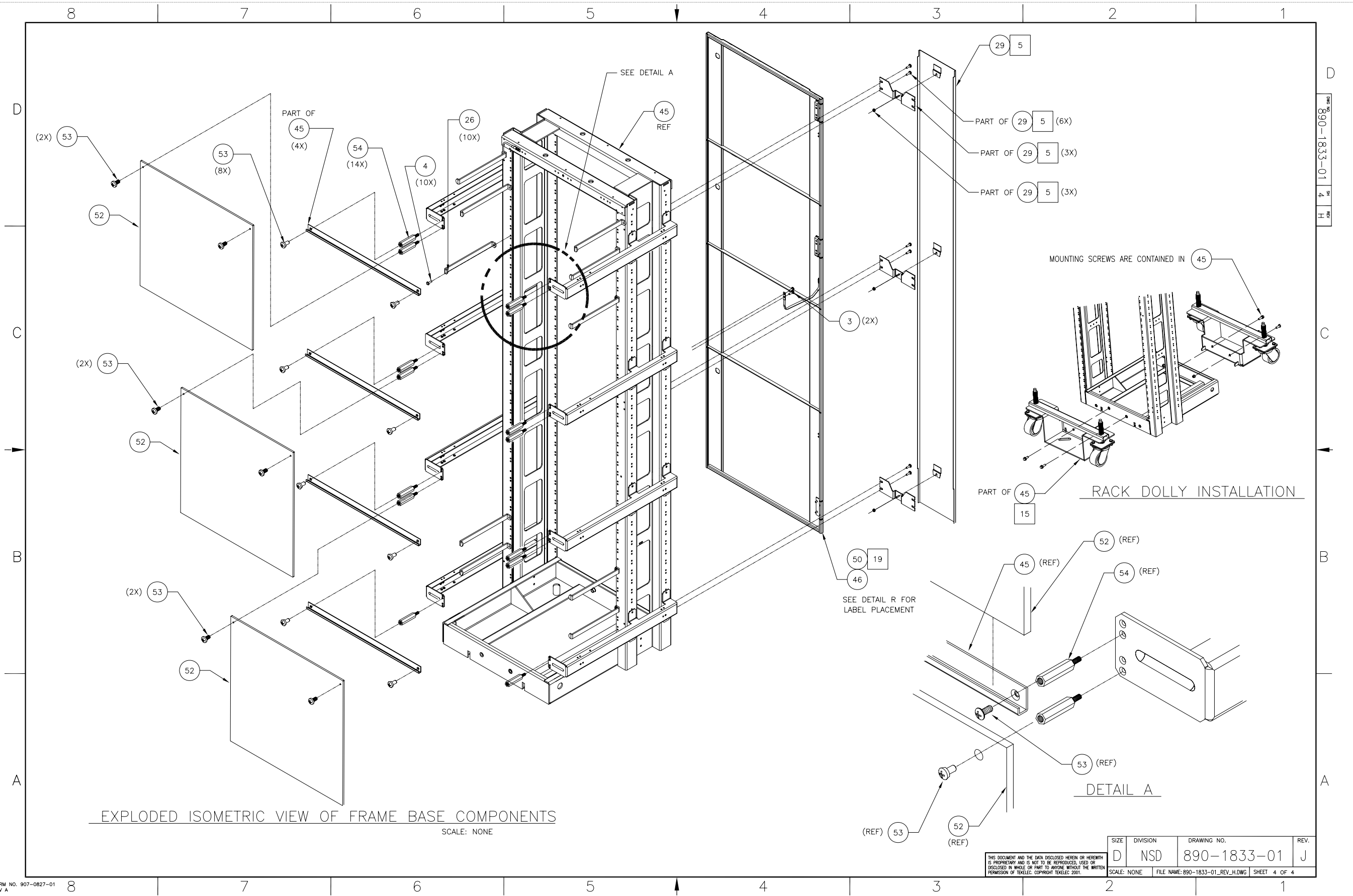


DETAIL S
LABEL PLACEMENT
SCALE: 1/4

THIS DOCUMENT AND THE DATA DISCLOSED HEREIN OR HEREWITH IS PROPRIETARY AND IS NOT TO BE REPRODUCED, USED OR DISCLOSED IN WHOLE OR PART TO ANYONE WITHOUT THE WRITTEN PERMISSION OF TEXELC. COPYRIGHT TEXELC 2001.

SIZE	DIVISION	DRAWING NO.	REV.
D	NSD	890-1833-01	J
SCALE: NONE	FILE NAME: 890-1833-01_REV_H.DWG	SHEET 3 OF 4	

8 7 6 5 4 3 2 1



SIZE	DIVISION	DRAWING NO.	REV.
D	NSD	890-1833-01	J
<small>THIS DOCUMENT AND THE DATA DISCLOSED HEREIN OR HEREWITH IS PROPRIETARY AND IS NOT TO BE REPRODUCED, USED OR DISCLOSED IN WHOLE OR PART TO ANYONE WITHOUT THE WRITTEN PERMISSION OF TEKELC. COPYRIGHT TEKELC 2001.</small>			
SCALE: NONE	FILE NAME: 890-1833-01_REV_H.DWG	SHEET 4 OF 4	