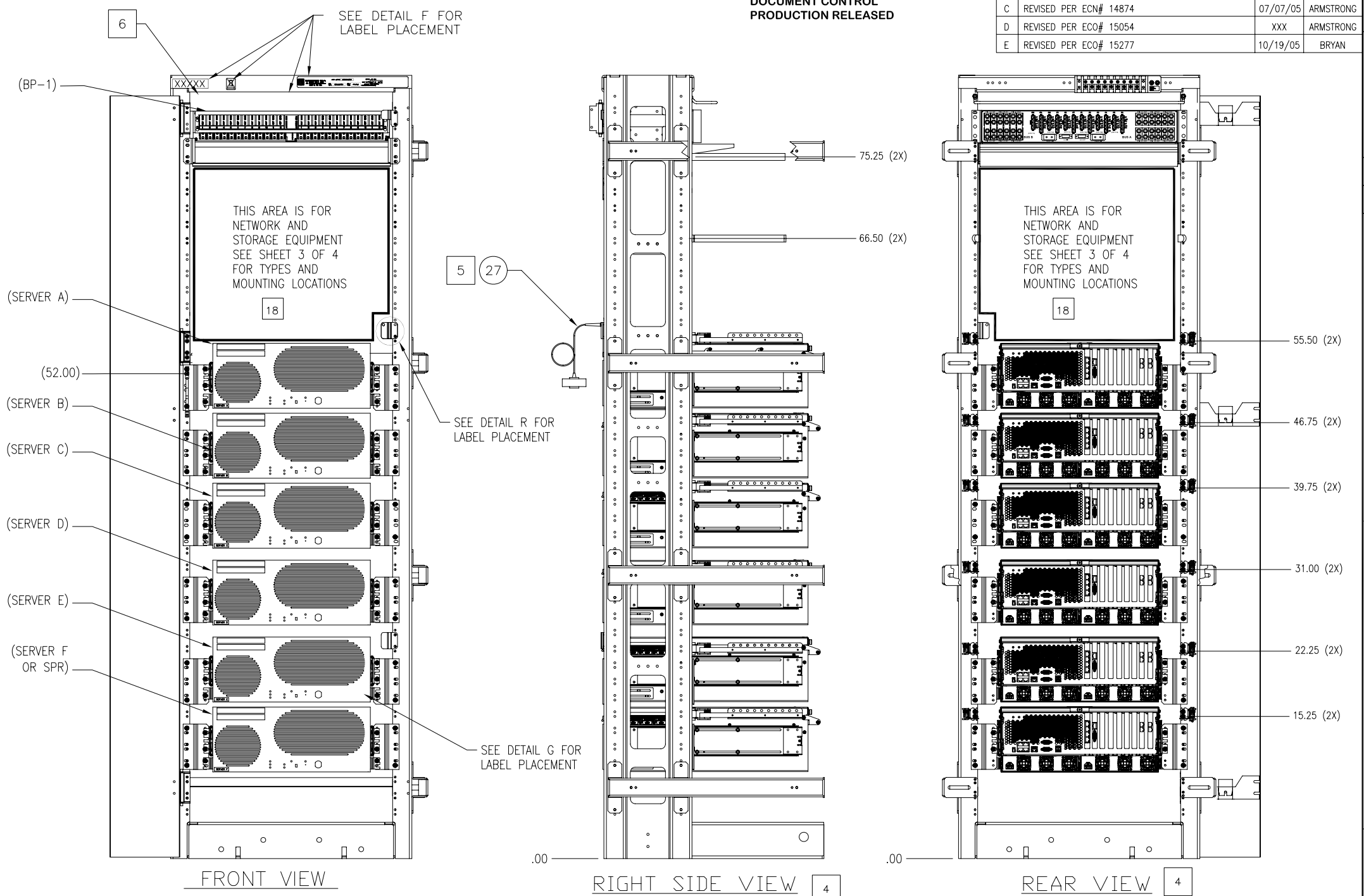


F	REVISED PER ECO# 15458	04/10/06	ARMSTRONG
G	REVISED PER ECO# 16155	6/20/06	ARMSTRONG

REVISIONS			
REV	DESCRIPTION	DATE	APPROVED
A	RELEASE PER ECN #14634	5/26/05	ARMSTRONG
B	REVISED PER ECN# 14814	6/21/05	ARMSTRONG
C	REVISED PER ECN# 14874	07/07/05	ARMSTRONG
D	REVISED PER ECO# 15054	XXX	ARMSTRONG
E	REVISED PER ECO# 15277	10/19/05	BRYAN

DOCUMENT CONTROL  
PRODUCTION RELEASED

- NOTES: UNLESS OTHERWISE SPECIFIED
- NO ADDITIONS, DELETIONS, SUBSTITUTIONS OR MODIFICATIONS WITHOUT PRIOR WRITTEN TEKELEC APPROVAL.
  - TORQUE ALL FASTENERS IN ACCORDANCE WITH TEKELEC SPECIFICATION 906-0008-01.
  - REFER TO INTERCONNECT DIAGRAM (ITEM 36) FOR CABLE CONNECTIONS.
  - FOR LOCATING INDIVIDUAL PARTS, USE DIMENSION SHOWN.
  - DO NOT INSTALL. SHIP UNASSEMBLED AND PACKED WITH UNIT.
  - APPLY MAIN CIRCUIT BREAKER LABEL ITEM 13 TO MOUNTING PLATE ITEM 9, ALIGN LABEL FLUSH WITH TOP AND LEFT SIDE OF MOUNTING PLATE.
  - DELETED.
  - LOCATE APPROXIMATELY AS SHOWN.
  - TO ATTACH THE CIRCUIT BREAKER GROUND CABLES AND SWITCH GROUND CABLES THE FOLLOWING SCREWS ARE REQUIRED: (THESE SCREWS ARE NOT SHOWN)  
  
TWO SWITCH SYSTEM-A QUANTITY OF 6 SCREWS (ITEM 3) ARE REQUIRED.  
  
FOUR SWITCH SYSTEM-A QUANTITY OF 12 SCREWS (ITEM 3) ARE REQUIRED.
  - MOUNTING SCREWS ARE PART OF SLIDE MOUNTING KIT (P/N 804-1706-R01).
  - USING ITEMS 32 AND 33 APPLY PROPER COMPONENT DESIGNATION TO MAIN BREAKER PANEL LABEL (ITEM 13). REFER TO SYSTEM INTERCONNECT (ITEM 35) FOR BREAKER LAYOUT AND DESCRIPTIONS.
  - ATTACH CHASSIS GROUND CABLE WITH SUPPLIED NUTS AND 2 SCREWS (ITEM 3), BOTH NOT SHOWN.
  - RACK DOLLY, FOR SHIPPING ONLY. TO BE REMOVED DURING INSTALLATION.
  - SERVER MOUNTED ALIGNED WITH THE TOP OF THE SLIDE ADAPTER BRACKETS AS SHOWN.
  - REMOVE ADHESIVE BACKING AND ATTACH LABEL IN RECESSED AREA.
  - OPERATING KEY (ITEM 49) NOT SHOWN. KEY TO BE PACKAGED AND SHIPPED WITH ASSEMBLY.
  - IF THERE IS NO ITEM 1 ON BOM THE PRODUCT DOOR LABEL IS A CONFIGURABLE ITEM AND TO BE CHOSEN AT ORDER ENTRY.
  - INSTALL OPTIONAL COMPONENTS AS REQUIRED. THIS IS A CONFIGURABLE SYSTEM AND THE SALES ORDER WILL SPECIFY THE PART NUMBER'S AND QUANTITIES. LOCATING DIMENSIONS FOR NETWORK AND STORAGE COMPONENTS ARE SHOWN ON SHEET 3 OF 5. SEE SYSTEM INTERCONNECT FOR ADDITIONAL DETAILS AND PART NUMBERS.
  - USING BLANK LABEL ITEM 14 ADD THE FOLLOWING PRINTING TO THE LABEL: (SEE DETAIL D) AND INSTALL IT OVER EXISTING TEXT ON LABEL.  
  
3600 WATTS
  - INSTALL THE NAS CHASSIS GROUND CABLE FROM THE NAS POWER INPUT MARKED GROUND TO THE SIDE OF THE SHELF. SECURE GROUND CABLES TO THE SHELF USING (ITEM 52) 10-32 SCREWS.
  - THE SALES ORDER WILL LIST THE QUANTITY OF SWITCHES REQUIRED FOR THE DIFFERENT SYSTEM TYPES. SEE SHEET 4 FOR REFERENCE VIEWS OF THE DIFFERENT SYSTEM TYPES.
  - SERVER C'S SLIDE MOUNTING BRACKETS ARE ATTACHED OFFSET ON THE FRAME MOUNTING HOLES.
  - THIS ASSEMBLY HAS BEEN DESIGNED IN ACCORDANCE WITH TEKELEC SPECIFICATION 906-0017-01 "SPECIFICATION, DESIGN, ELECTRO/MECHANICAL ASSEMBLIES, NSD".
  - THIS ASSEMBLY SHALL BE FABRICATED IN ACCORDANCE WITH TEKELEC SPECIFICATION 906-0018-01 "SPECIFICATION, FABRICATION, ELECTRO/MECHANICAL ASSEMBLIES, NSD".
  - THIS PART SHALL MEET THE REQUIREMENTS SPECIFICATION 907-0943-01, "SPECIFICATION, TEKELEC COSMETIC STANDARDS". ALL SURFACES CLASS C EXCEPT AS NOTED.



D  
C  
B  
A

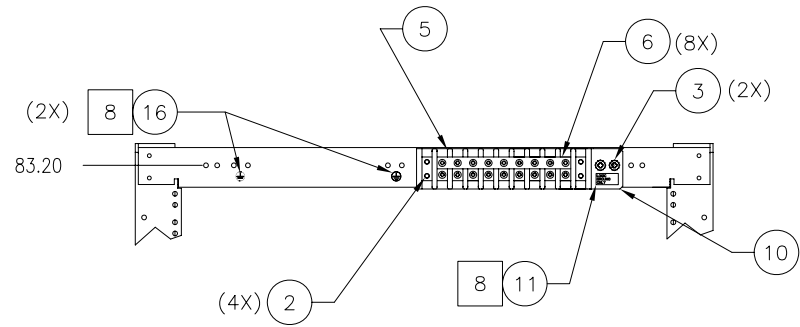
D  
C  
B  
A

FINAL ASSEMBLY DRAWING  
MAXIMUM CONFIGURATION SEE SEPARATE PARTS LIST

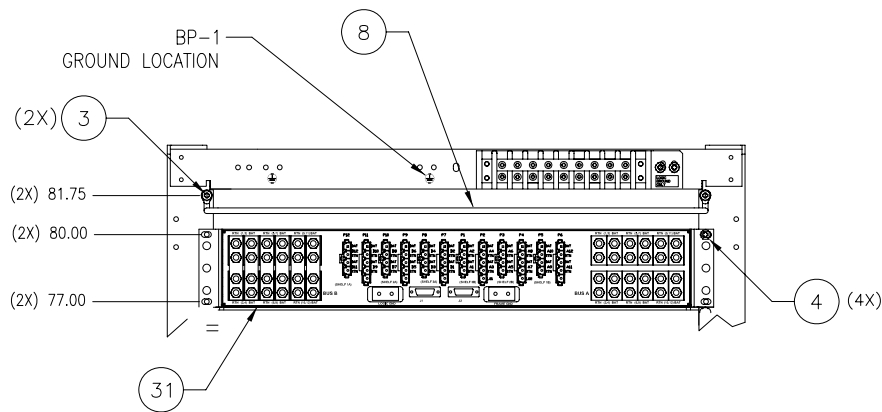
UNLESS OTHERWISE SPECIFIED: DO NOT SCALE DRAWING. DIMENSIONS ARE IN INCHES. INTERPRET DIMENSIONS IN ACCORDANCE WITH ASME Y14.5M-1994. DRAWING TO CONFORM TO TEKELEC SPECIFICATION 907-0169-01. DEBURR AND BREAK SHARP EDGES AND CORNERS .005-.015. MACHINED SURFACE FINISH 125 ✓ DECIMAL TOLERANCES: XX= ±.02 .XXX= ±.005 ANGLE TOLERANCE: ± 1'		THIS DOCUMENT AND THE DATA DISCLOSED HEREIN OR HEREWITH IS PROPRIETARY AND IS NOT TO BE REPRODUCED, USED OR DISCLOSED IN WHOLE OR PART TO ANYONE WITHOUT THE WRITTEN PERMISSION OF TEKELEC. COPYRIGHT TEKELEC 2006.	
APPROVALS		DATE	
DRAWN BY M.BRYAN		4/11/05	
CHECKED BEAUCHAMP		5/15/05	
APPROVED ARMSTRONG		5/15/05	
NEXT ASSY	USED ON		
APPLICATION		MATERIAL	
FINISH			

TEKELEC		5200 Paramount Parkway Morrisville, NC 27560	
DWG_GEN_			
T1100 FRAME ASSEMBLY			
SIZE	DIVISION	DRAWING NO.	REV.
D	NSG	890-1839-01	G
SCALE: 1/6		FILE NAME: 890-1839-01_G.DWG	SHEET 1 OF 5

D



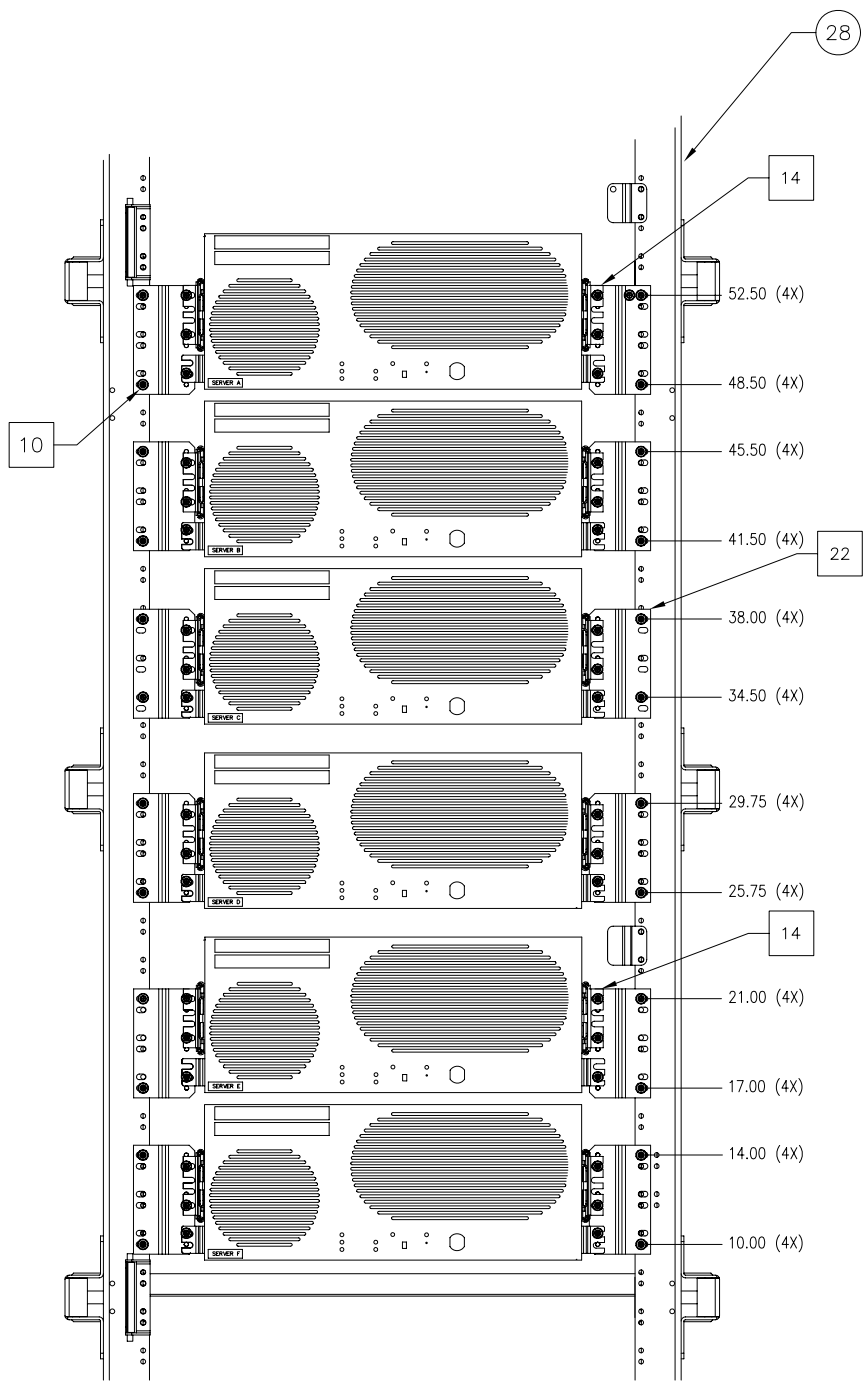
LOGIC GROUND STRIP AND FRAME  
GROUND LABEL POSITIONS, REAR VIEW  
DETAIL A



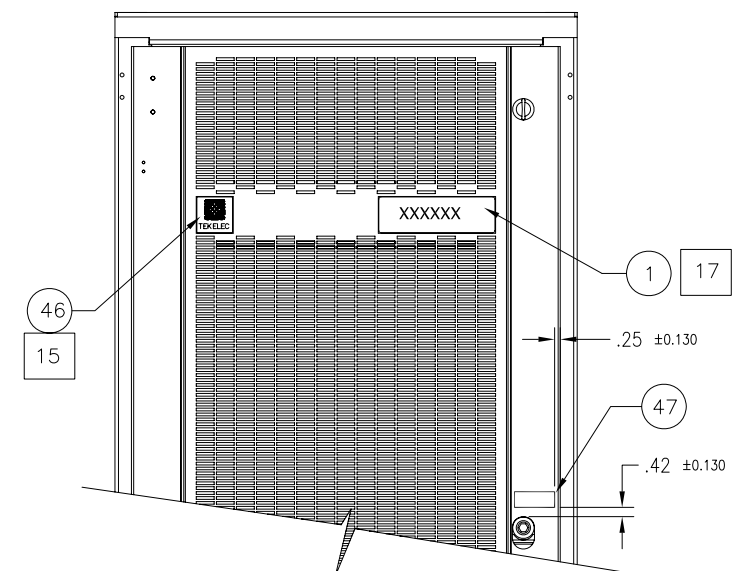
CIRCUIT BREAKER POSITION,  
CABLE BRACKET POSITIONS REAR VIEW  
DETAIL B



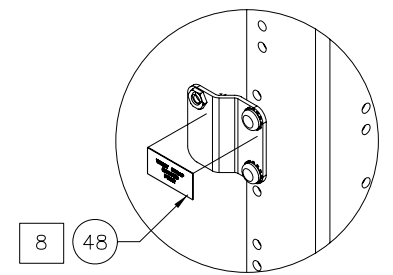
AIR DEFLECTOR POSITION, FRONT VIEW  
DETAIL C



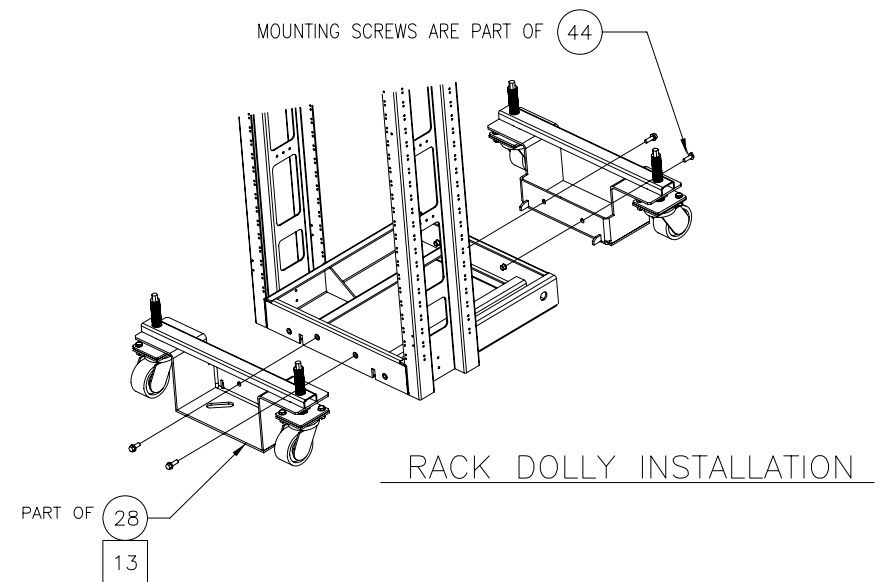
SERVER POSITION, FRONT VIEW  
DETAIL E  
(TYPICAL FRONT AND REAR)  
(SEE DETAIL G FOR LABEL PLACEMENT)



DETAIL N  
DOOR LABEL PLACEMENT



DETAIL R  
LABEL PLACEMENT  
SCALE: 1/4



RACK DOLLY INSTALLATION

DRAWING NO. 890-1839-01 2 REV. 6

C

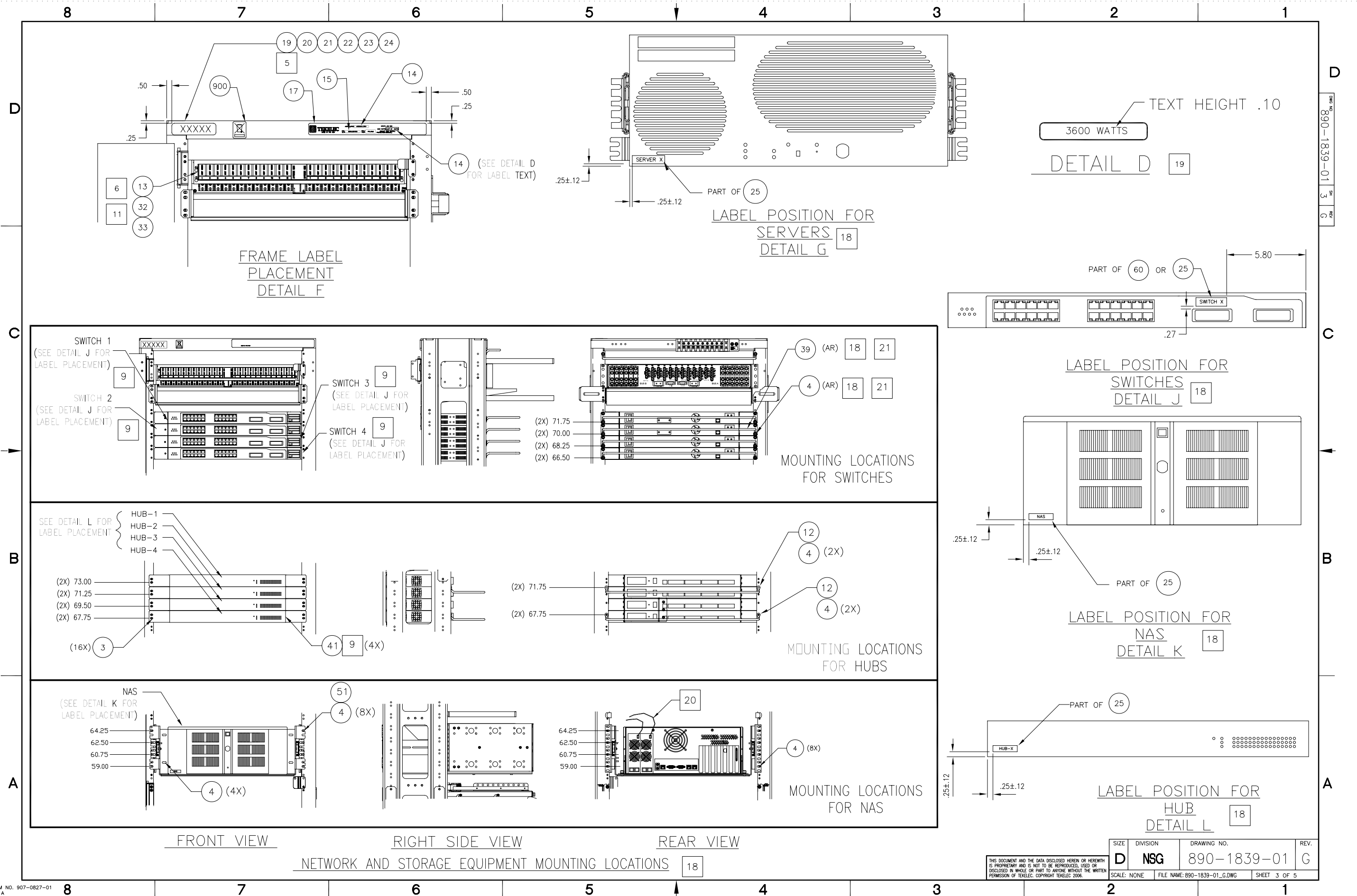
↑

B

A

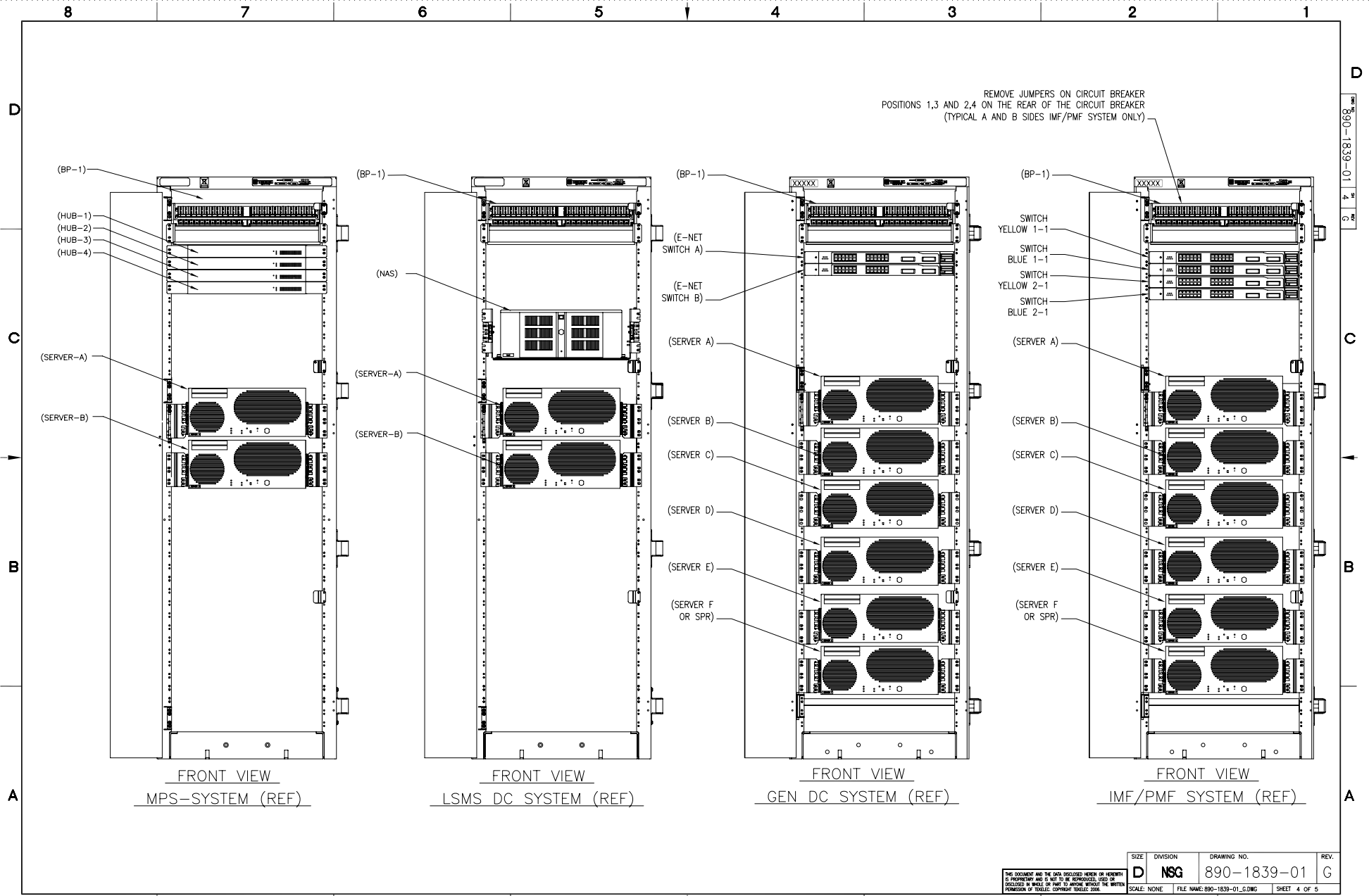
SIZE	DIVISION	DRAWING NO.	REV.
D	NSG	890-1839-01	G
SCALE: NONE		FILE NAME: 890-1839-01_G.DWG	SHEET 2 OF 5

THIS DOCUMENT AND THE DATA DISCLOSED HEREIN OR HEREWITH IS PROPRIETARY AND IS NOT TO BE REPRODUCED, USED OR DISCLOSED IN WHOLE OR PART TO ANYONE WITHOUT THE WRITTEN PERMISSION OF TEKELEC. COPYRIGHT TEKELEC 2006.



890-1839-01 3 REV G

SIZE <b>D</b>	DIVISION <b>NSG</b>	DRAWING NO. <b>890-1839-01</b>	REV. <b>G</b>
<small>THIS DOCUMENT AND THE DATA DISCLOSED HEREIN OR HEREWITH IS PROPRIETARY AND IS NOT TO BE REPRODUCED, USED, OR DISCLOSED IN WHOLE OR PART TO ANYONE WITHOUT THE WRITTEN PERMISSION OF TERELEC. COPYRIGHT TERELEC 2006.</small>			
SCALE: NONE	FILE NAME: 890-1839-01_G.DWG	SHEET 3 OF 5	



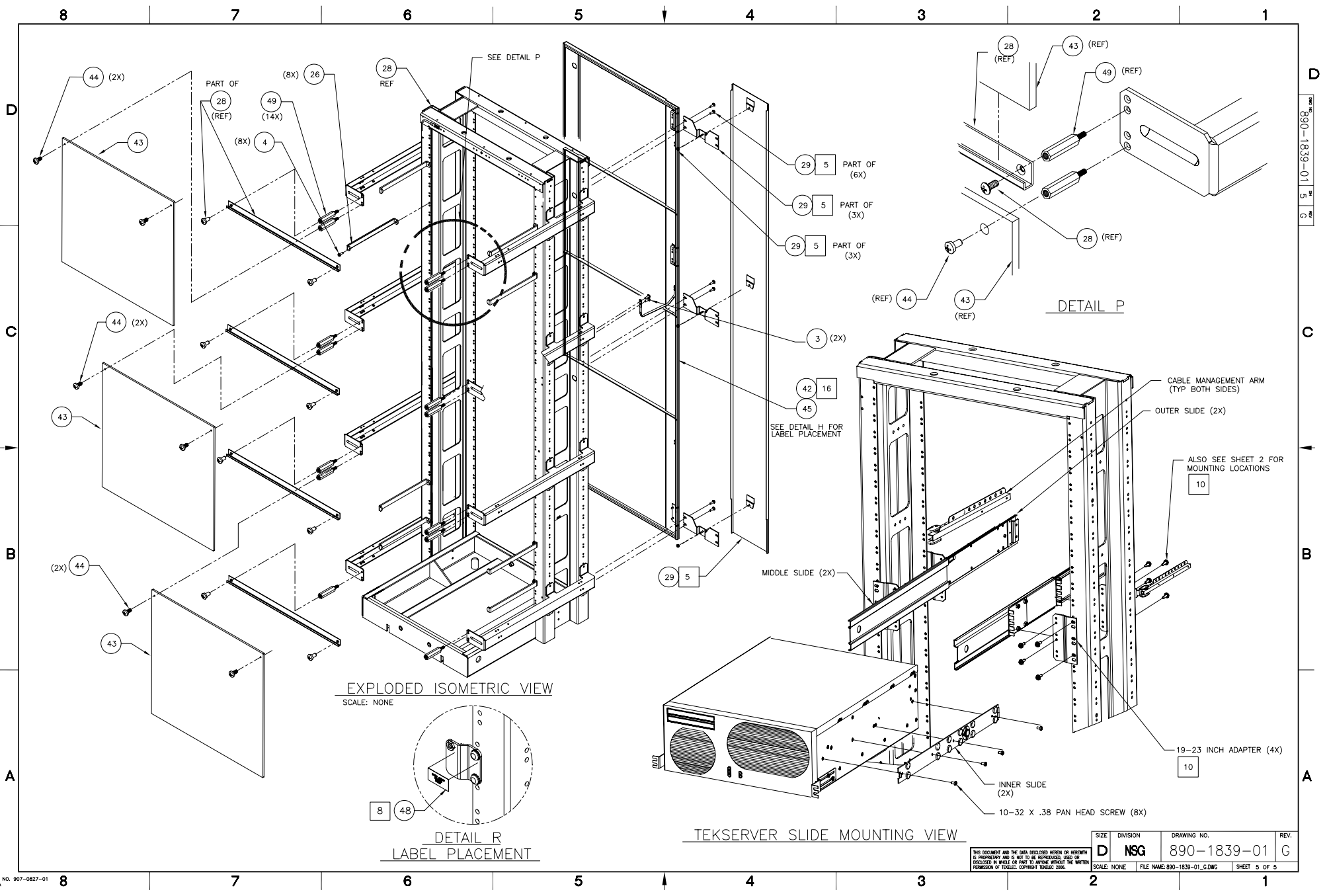
SIZE	DIVISION	DRAWING NO.	REV.
D	NSG	890-1839-01	G
SCALE: NONE		FILE NAME: 890-1839-01_G.DWG	SHEET 4 OF 5

890-1839-01 4 5

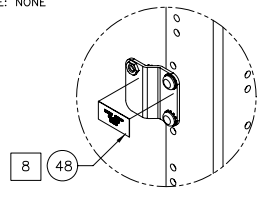
C

B

A



EXPLODED ISOMETRIC VIEW  
SCALE: NONE



DETAIL R  
LABEL PLACEMENT

DETAIL P

TEKSERVER SLIDE MOUNTING VIEW

SIZE	DIVISION	DRAWING NO.	REV.
D	NSG	890-1839-01	G
SCALE: NONE		FILE NAME: 890-1839-01_G.DWG	SHEET 5 OF 5