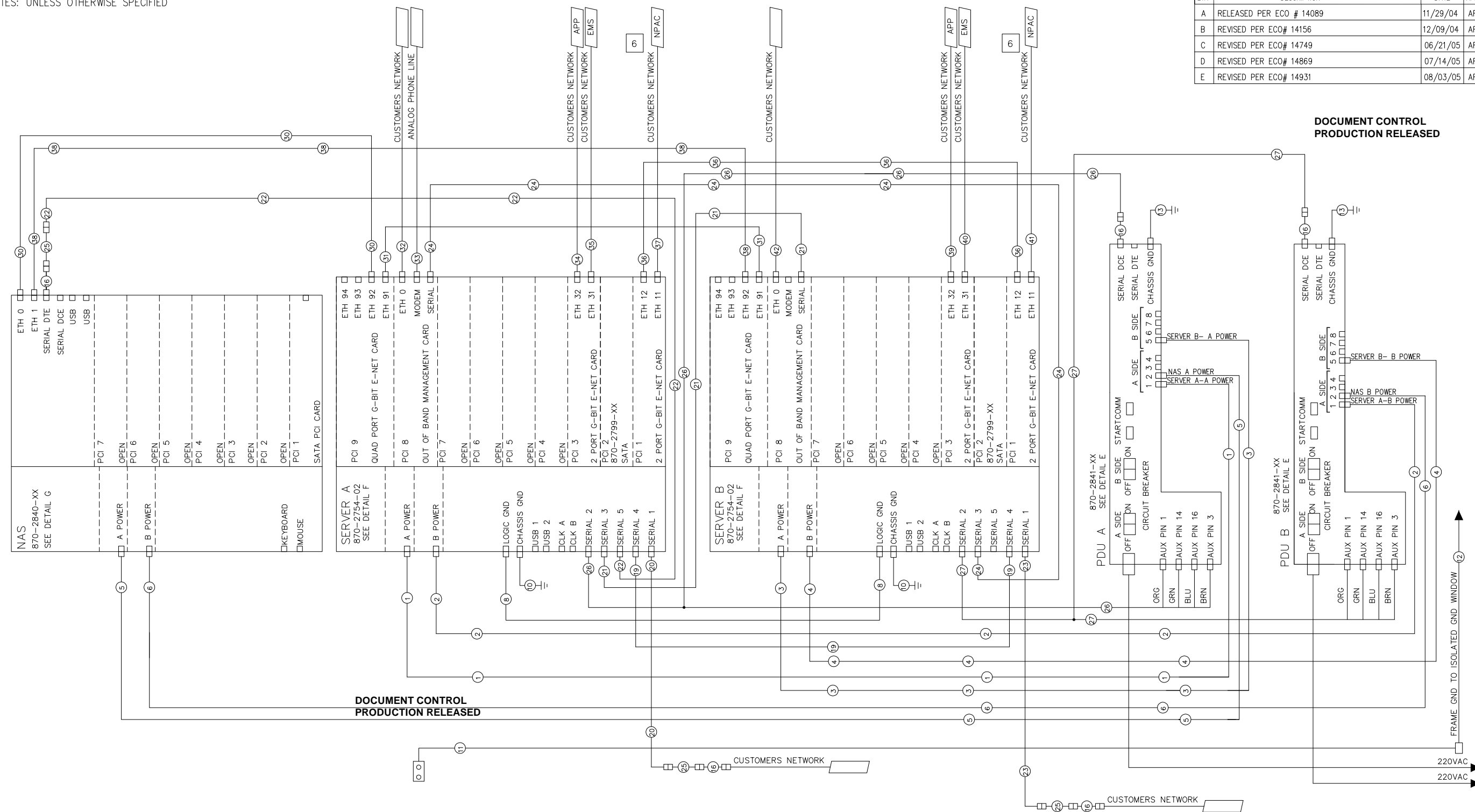


NOTES: UNLESS OTHERWISE SPECIFIED

REVISIONS			
LTR	DESCRIPTION	DATE	APPROVED
A	RELEASED PER ECO # 14089	11/29/04	ARMSTRONG
B	REVISED PER ECO# 14156	12/09/04	ARMSTRONG
C	REVISED PER ECO# 14749	06/21/05	ARMSTRONG
D	REVISED PER ECO# 14869	07/14/05	ARMSTRONG
E	REVISED PER ECO# 14931	08/03/05	ARMSTRONG



DOCUMENT CONTROL  
PRODUCTION RELEASED

- INSTALL ALL CABLE ASSEMBLIES WITH DRESSED BEND RADII IN ACCORDANCE WITH TEKELEC CABLE BEND RADIUS SPECIFICATION 906-0020-01.
- ALL INTERCONNECTION POINTS SHALL BE STRAIN RELIEVED BY POSITIVE MECHANICAL FEATURES OR FASTENERS FOR LENGTH CONFIGURATIONS.
- THIS DIAGRAM AND ALL PART NUMBERS SHOWN ARE FOR REFERENCE ONLY. REFERENCE CABLE PART NUMBERS WITH XX FOR THE DASH NUMBER ARE LENGTHS THAT ARE SITE SPECIFIC.
- NO ADDITIONS, DELETIONS, SUBSTITUTIONS OR MODIFICATIONS WITHOUT PRIOR WRITTEN TEKELEC APPROVAL.

- USE LABEL PN 617-0009-01 TO MAKE LABEL SET FOR FROM AND TO ON CABLES INDICATED IN TABLE A. EACH CABLE INDICATED WILL REQUIRE 2 LABELS ONE AS SHOWN IN THE TABLES AND ONE WITH FROM AND TWO REVERSED AS SHOWN IN DETAIL D. PERMANENTLY PRINT LABELS WITH .09 HIGH BLACK CHARACTERS. CENTER TEXT APPROXIMATELY AS SHOWN. MAX 23 CHARACTERS PER LINE. CABLES IDENTIFIED AS FIELD LABEL WILL BE LABELED AT INSTALLATION.
- ETH 11 TO BE USED FOR SINGLE SUBNET SYSTEMS.

THIS DOCUMENT AND THE DATA DISCLOSED HEREIN OR HEREWITH IS PROPRIETARY AND IS NOT TO BE REPRODUCED, USED OR DISCLOSED IN WHOLE OR PART TO ANYONE WITHOUT THE WRITTEN PERMISSION OF TEKELEC. COPYRIGHT, TEKELEC 1996.

STANDARD HOLE TOLERANCES:	
HOLE DIA	TOLERANCES
.013 THRU .125	+ .004 - .001
.126 THRU .250	+ .005 - .001
.251 THRU .500	+ .006 - .001
.501 THRU .750	+ .008 - .001
.751 THRU 1.000	+ .010 - .001
1.001 THRU 2.000	+ .012 - .001

CONTRACT NO.		APPROVALS		DATE
NEXT ASSY		DRAWN	M.BRYAN	11/12/04
USED ON		CHECKED	BEAUCHAMP	11/24/04
APPLICATION		APPROVED	ARMSTRONG	11/24/04
FINISH		APPROVED	--	--
MATERIAL				

**TEKELEC** 26580 W. Agoura Road, Calabasas, California 91302

INTERCONNECT DIAGRAM\_ SYSTEM\_LSMS\_ AC FRAME ASSY

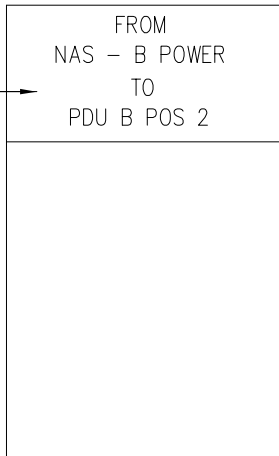
SIZE	CAGE CODE	DRAWING NO.	REV.
D		892-0060-01	E

SCALE: NONE FILE NAME: 892-0060-01\_E.dwg SHEET 1 OF 3

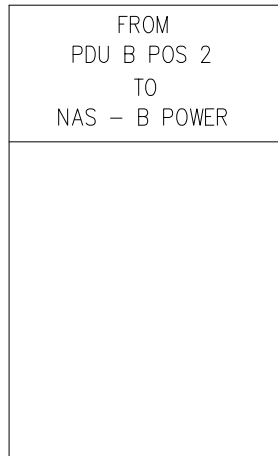
REVISIONS			
LTR	DESCRIPTION	DATE	APPROVED

TABLE A - POWER CABLE PART NUMBERS

ITEM NO.	TEKELEC P/N	QTY	LENGTH	RUN LIST AND LABEL INFORMATION FOR FROM AND TO	LABEL REQUIRED
1	830-1903-01	1	98.00 INCHES	FROM: SERVER A - A POWER / TO: PDU A POS 1	YES
2	830-1903-01	1	98.00 INCHES	FROM: SERVER A - B POWER / TO: PDU B POS 1	YES
3	830-1903-01	1	98.00 INCHES	FROM: SERVER B - A POWER / TO: PDU A POS 5	YES
4	830-1903-01	1	98.00 INCHES	FROM: SERVER B - B POWER / TO: PDU B POS 5	YES
5	830-1903-01	1	98.00 INCHES	FROM: NAS - A POWER / TO: PDU A POS 2	YES
6	830-1903-01	1	98.00 INCHES	FROM: NAS - B POWER / TO: PDU B POS 2	YES
7					
8	830-1075-01	1	72.00 INCHES	FROM: SERVER A LOGIC GND / TO: SERVER B LOGIC GND	YES
9					
10	830-0927-01	2	24.00 INCHES	FROM: SERVER CHASSIS GND / TO: FRAME	YES
11	830-0715-03	1	84.00 INCHES	FROM: FRAME GROUND FROM: ENCLOSURE TO: ISOLATED GROUND WINDOW	YES
12	FRAME GROUND	AR	SEE TABLE F	FROM: SERVER CHASSIS GND / TO: FRAME	NO
13	830-0822-01	2	18.00 INCHES	FROM: PDU CHASSIS / TO: FRAME GND	YES
14					
15					
16	804-1929-01	5	NA	OPTO-ISOLATOR DB9M-DB9F NAS SERIAL OPTO-ISOLATOR DB9M-DB9F PDU A SERIAL DCE OPTO-ISOLATOR DB9M-DB9F PDU B SERIAL DCE OPTO-ISOLATOR DB9M-DB9F CUSTOMER NETWORK SURVEILLANCE OPTO-ISOLATOR DB9M-DB9F CUSTOMER NETWORK SURVEILLANCE	NO NO NO NO NO
19	830-1074-08	1	96.00 INCHES	FROM: SERVER A SERIAL PORT 4 / TO: SERVER B SERIAL PORT 4	YES
20	830-0723-04	1	120.00 INCHES	FROM: SERVER A SERIAL 1 / TO: CUSTOMER NETWORK SURVEILLANCE	YES
21	830-1074-07	1	84.00 INCHES	FROM: SERVER A SERIAL 3 / TO: SERVER B SLOT 8 SERIAL	YES
22	830-0723-64	1	84.00 INCHES	FROM: SERVER A SERIAL 5 / TO: NAS SERIAL	YES
23	830-0723-04	1	120.00 INCHES	FROM: SERVER B SERIAL 1 / TO: CUSTOMER NETWORK SURVEILLANCE	YES
24	830-1074-08	1	96.00 INCHES	FROM: SERVER B SERIAL 3 / TO: SERVER A SLOT 8 SERIAL	YES
25	830-1073-01	3	NA	ADAPTER RJ45-DB9F NAS SERIAL ADAPTER RJ45-DB9F CUSTOMER NETWORK SURVEILLANCE ADAPTER RJ45-DB9F CUSTOMER NETWORK SURVEILLANCE	NO NO NO
26	830-1076-01	1	121.00 INCHES	FROM: SERVER A SERIAL 2 / TO: PDU A AUX ALARMS FROM: SERVER A SERIAL 2 / TO: PDU A SERIAL DCE	YES YES
27	830-1076-02	1	133.00 INCHES	FROM: SERVER B SERIAL 2 / TO: PDU B AUX ALARMS FROM: SERVER B SERIAL 2 / TO: PDU B SERIAL DCE	YES YES
28					
29					
30	830-0723-64	1	84.00 INCHES	FROM: SERVER A SLOT 9 ETH 92 / TO: NAS ETH 0	YES
31	830-0723-65	1	72.00 INCHES	FROM: SERVER A SLOT 9 ETH 91 / TO: SERVER B SLOT 9 ETH 91	YES
32	830-0723-XX	1	SITE SPECIFIC	FROM: SERVER A SLOT 8 ETH 0 / TO: CUSTOMER NETWORK	FIELD LABEL
33	830-0680-01	1	25.00 FEET	FROM: SERVER A SLOT 8 MODEM / TO: CUSTOMER PROVIDED PHONE LINE	FIELD LABEL
34	830-0724-XX	1	SITE SPECIFIC	FROM: SERVER A SLOT 3 ETH 32 / TO: CUSTOMER NETWORK APP	FIELD LABEL
35	830-0724-XX	1	SITE SPECIFIC	FROM: SERVER A SLOT 3 ETH 31 / TO: CUSTOMER NETWORK EMS	FIELD LABEL
36	830-0723-64	1	84.00 INCHES	FROM: SERVER A SLOT 1 ETH 12 / TO: SERVER B SLOT 1 ETH 12	YES
37	830-0723-XX	1	SITE SPECIFIC	FROM: SERVER A SLOT 1 ETH 11 / TO: CUSTOMER NETWORK NPAC	FIELD LABEL
38	830-0723-64	1	84.00 INCHES	FROM: SERVER B SLOT 9 ETH 92 / TO: NAS ETH 1	YES
39	830-0723-XX	1	SITE SPECIFIC	FROM: SERVER B SLOT 3 ETH 32 / TO: CUSTOMER NETWORK APP	FIELD LABEL
40	830-0723-XX	1	SITE SPECIFIC	FROM: SERVER B SLOT 3 ETH 31 / TO: CUSTOMER NETWORK EMS	FIELD LABEL
41	830-0723-XX	1	SITE SPECIFIC	FROM: SERVER B SLOT 1 ETH 11 / TO: CUSTOMER NETWORK NPAC	FIELD LABEL
42	830-0723-XX	1	SITE SPECIFIC	FROM: SERVER B SLOT 8 ETH 0 / TO: CUSTOMER NETWORK	FIELD LABEL

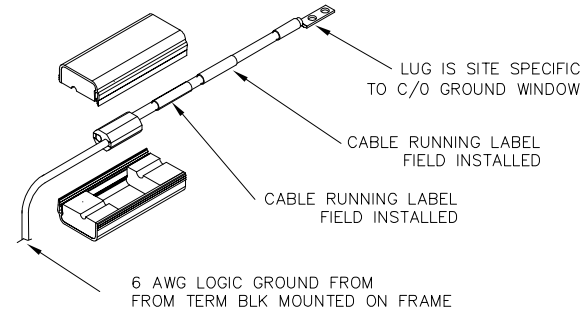


EXAMPLE OF TEXT SHOWN IN TABLES

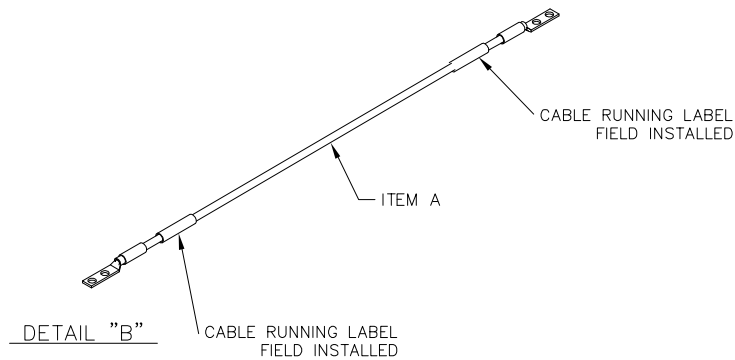


EXAMPLE WITH TEXT REVERSED FROM FIRST LABEL

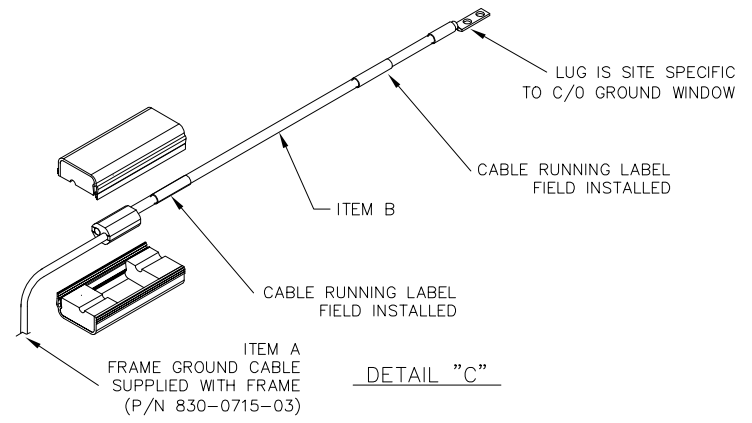
DETAIL D 5  
CABLE LABEL EXAMPLE USING CABLE ITEM NO. 6



DETAIL "A"



DETAIL "B"



DETAIL "C"

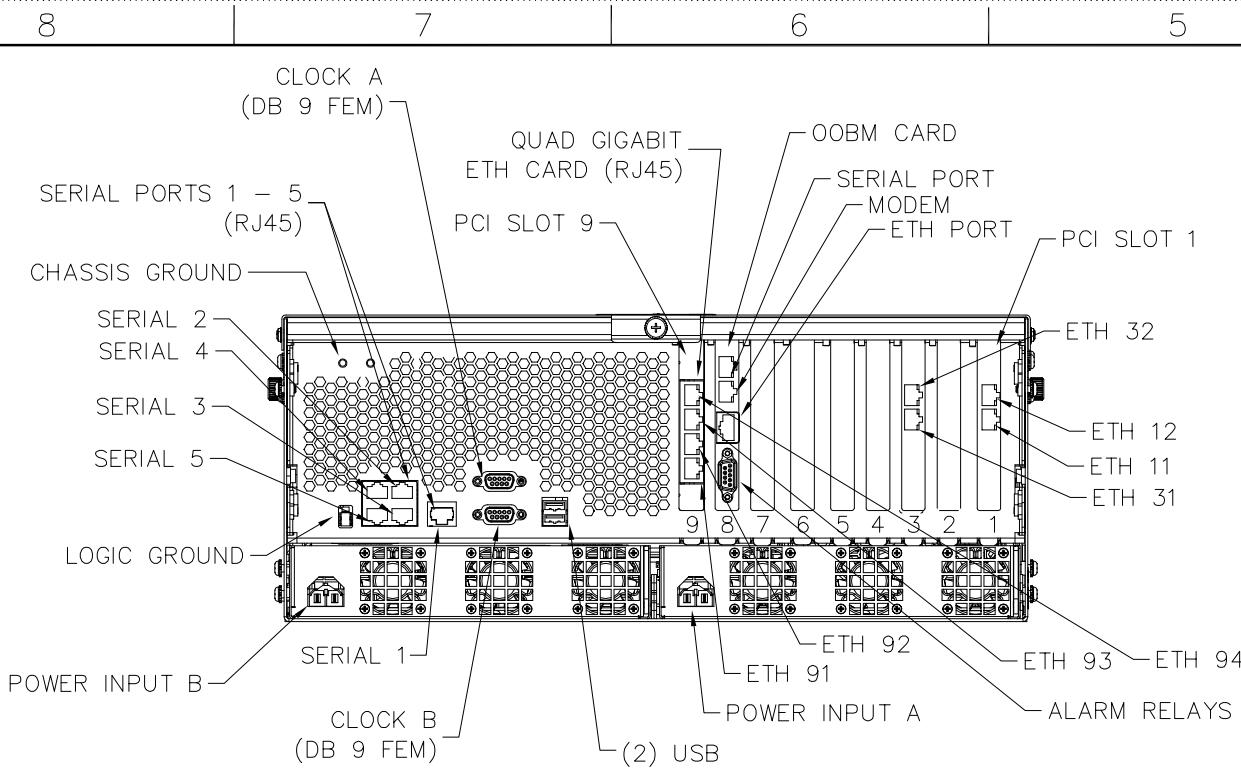
TABLE F - SYSTEM FRAME GROUND CABLING

DISTANCE	CABLE P/N	CABLE AWG	ITEM A (830-0715-XX SUPPLIED WITH FRAME)		ITEM B		HTAP (A TO B CONNECTION) H TAP P/N	COMMENT	REF. DETAIL
			TERMINAL LUG P/N	HEAT SHRINK P/N	CABLE P/N	CABLE AWG			
0' - 40'	690-0131-01	6	502-0085-01	804-0228-01	690-0131-01	6	804-0865-01	CABLE LENGTH IS SITE-SPECIFIC	C
40' - 160'	690-0108-01	6	502-0085-01	804-0228-01	690-0108-07	1/0	804-0865-01	CABLE LENGTH IS SITE-SPECIFIC	C

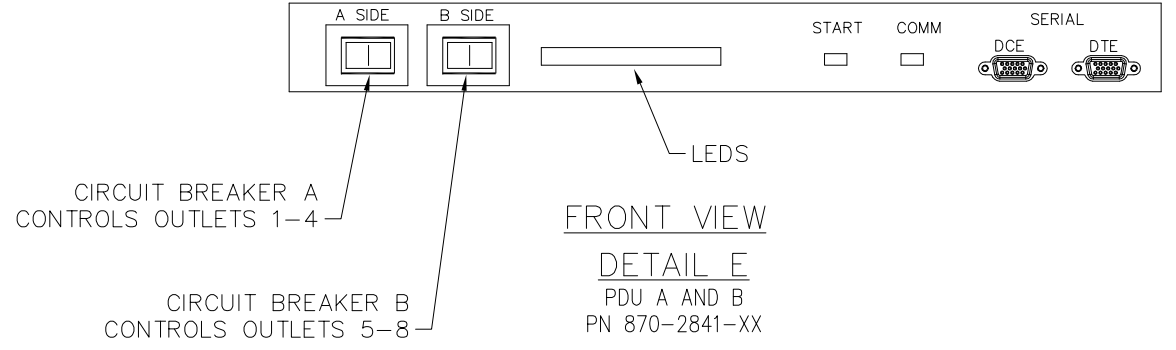
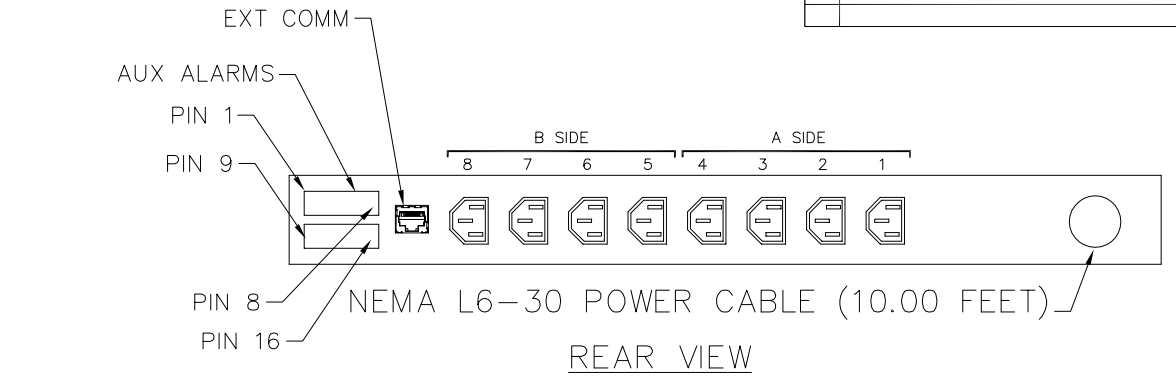
THIS DOCUMENT AND THE DATA DISCLOSED HEREIN OR HEREWITH IS PROPRIETARY AND IS NOT TO BE REPRODUCED, USED OR DISCLOSED IN WHOLE OR PART TO ANYONE WITHOUT THE WRITTEN PERMISSION OF TEKELEC. COPYRIGHT, TEKELEC 1996.

SIZE	CAGE CODE	DRAWING NO.	REV.
D		892-0060-01	E
SCALE: NONE	FILE NAME: 892-0060-01_E.DWG	SHEET 2 OF 3	

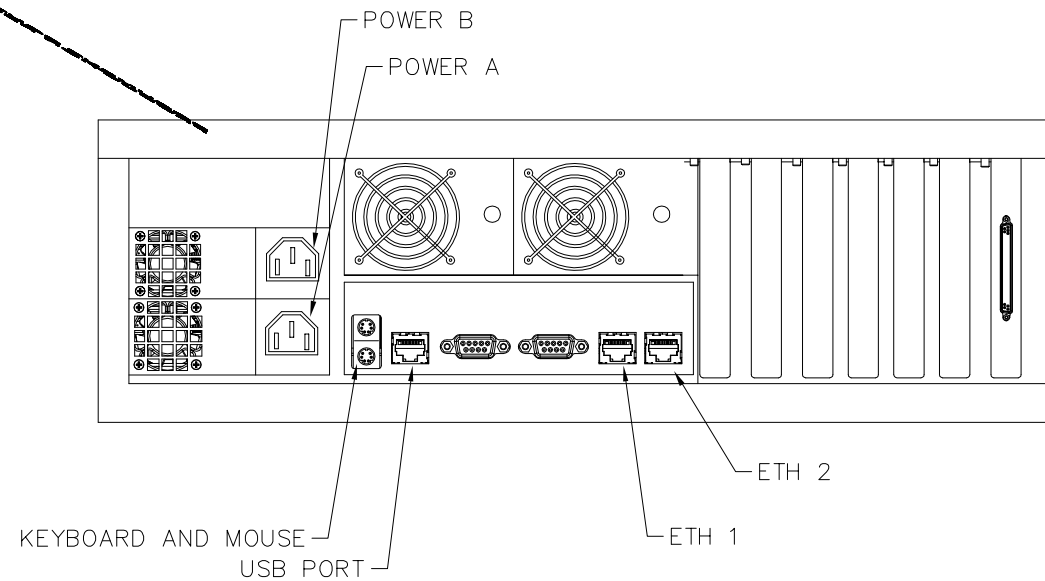
REVISIONS			
LTR	DESCRIPTION	DATE	APPROVED



**DETAIL F**  
 SERVER A AND B (REAR VIEW)  
 870-2754-02 W/ PCI CARDS:  
 SLOT 1 -870-2706-XX  
 SLOT 2 -870-2799-XX  
 SLOT 3 -870-2706-XX  
 SLOT 8 -870-2798-XX  
 SLOT 9 -870-2790-XX



**FRONT VIEW**  
**DETAIL E**  
 PDU A AND B  
 PN 870-2841-XX



**DETAIL G (REAR VIEW)**  
 NAS  
 PN 870-2840-XX

THIS DOCUMENT AND THE DATA DISCLOSED HEREIN OR HEREWITH IS PROPRIETARY AND IS NOT TO BE REPRODUCED, USED OR DISCLOSED IN WHOLE OR PART TO ANYONE WITHOUT THE WRITTEN PERMISSION OF TEKELEC. COPYRIGHT, TEKELEC 1996.

SIZE	CAGE CODE	DRAWING NO.	REV.
D		892-0060-01	E
SCALE: NONE		FILE NAME: 892-0060-01_E.DWG	SHEET 3 OF 3