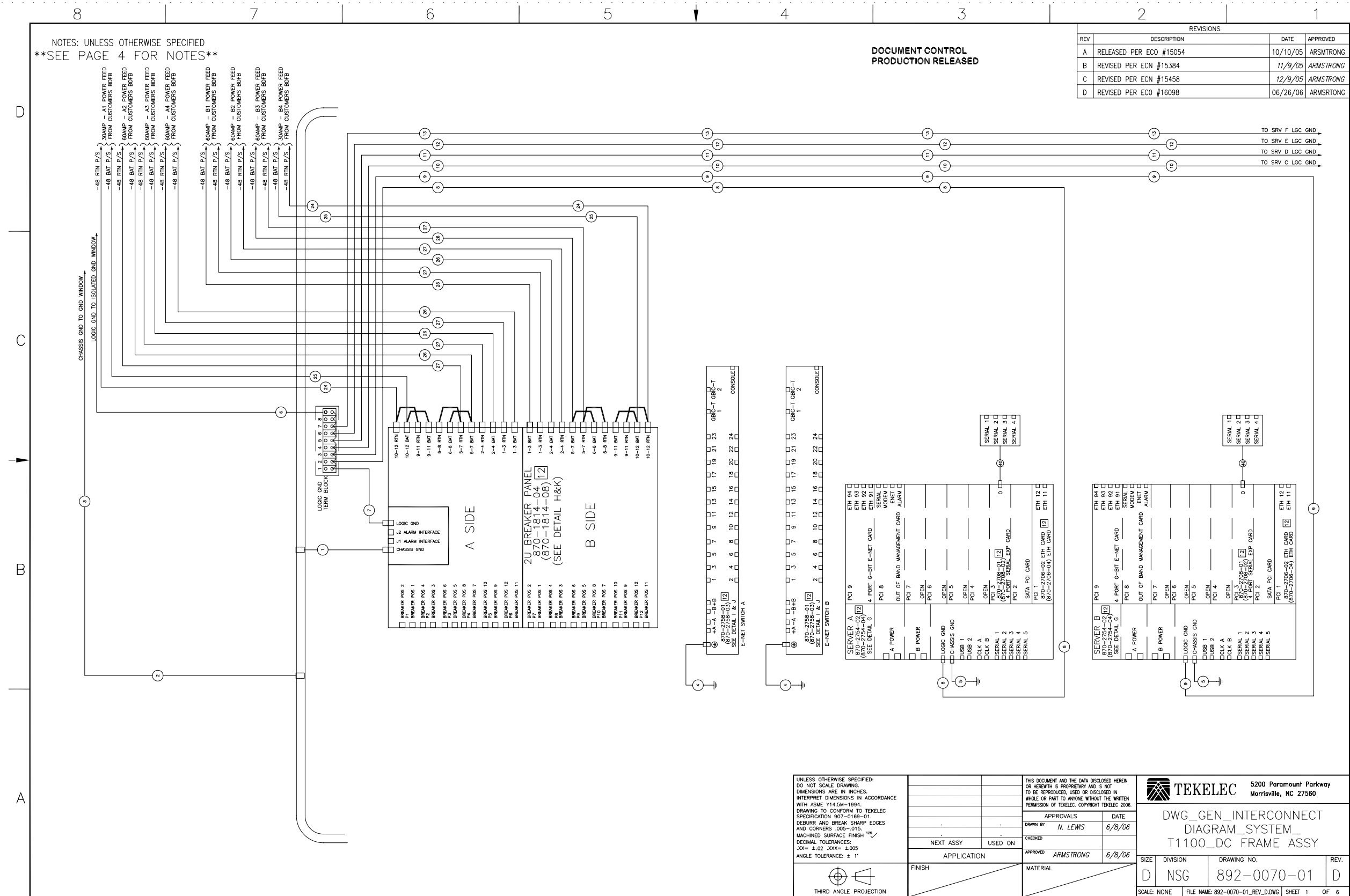


NOTES: UNLESS OTHERWISE SPECIFIED
 SEE PAGE 4 FOR NOTES

DOCUMENT CONTROL
 PRODUCTION RELEASED

REVISIONS			
REV	DESCRIPTION	DATE	APPROVED
A	RELEASED PER ECO #15054	10/10/05	ARMSTRONG
B	REVISED PER ECN #15384	11/9/05	ARMSTRONG
C	REVISED PER ECN #15458	12/9/05	ARMSTRONG
D	REVISED PER ECO #16098	06/26/06	ARMSTRONG



UNLESS OTHERWISE SPECIFIED: DO NOT SCALE DRAWING. DIMENSIONS ARE IN INCHES. INTERPRET DIMENSIONS IN ACCORDANCE WITH ASME Y14.5M-1994. DRAWING TO CONFORM TO TEKELEC SPECIFICATION 907-0169-01. DEBURR AND BREAK SHARP EDGES AND CORNERS 00S-015. MACHINED SURFACE FINISH 125 ✓ DECIMAL TOLERANCES: XX = ±.02 XXX = ±.005 ANGLE TOLERANCE: ± 1°		THIS DOCUMENT AND THE DATA DISCLOSED HEREIN OR HERETHWITH IS PROPRIETARY AND IS NOT TO BE REPRODUCED, USED OR INCORPORATED IN WHOLE OR PART TO ANYONE WITHOUT THE WRITTEN PERMISSION OF TEKELEC. COPYRIGHT TEKELEC 2006.	
APPROVALS		DATE	
DRAWN BY N. LEWS		6/8/06	
CHECKED		APPROVED ARMSTRONG	
NEXT ASSY USED ON		6/8/06	
APPLICATION		MATERIAL	
FINISH		MATERIAL	

TEKELEC 5200 Paramount Parkway
 Morrisville, NC 27560

DWG_GEN_INTERCONNECT
 DIAGRAM_SYSTEM_
 T1100_DC_FRAME_ASSY

SIZE	DIVISION	DRAWING NO.	REV.
D	NSG	892-0070-01	D

SCALE: NONE FILE NAME: 892-0070-01_REV_D.DWG SHEET 1 OF 6

8

7

6

5

4

3

2

1

D

C

B

A

D

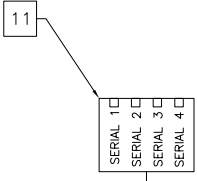
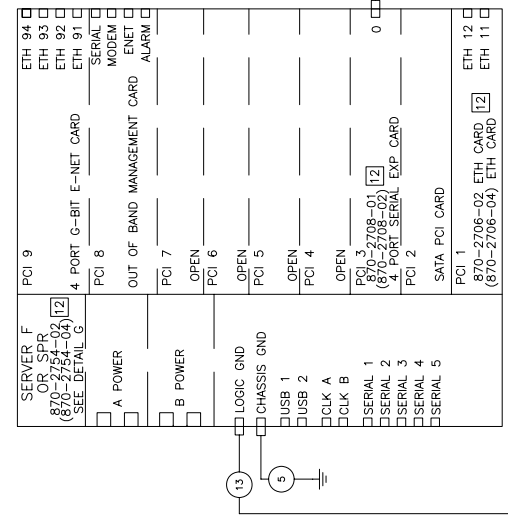
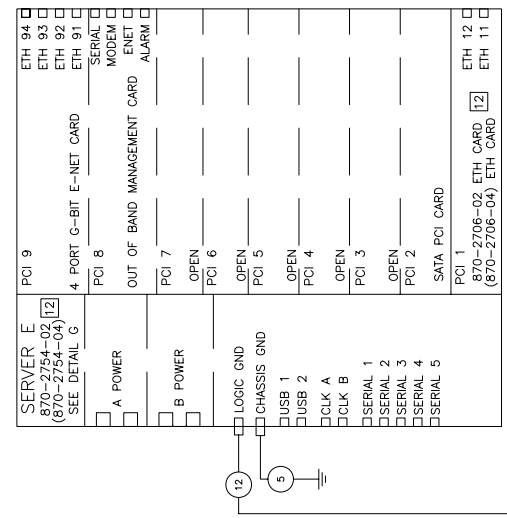
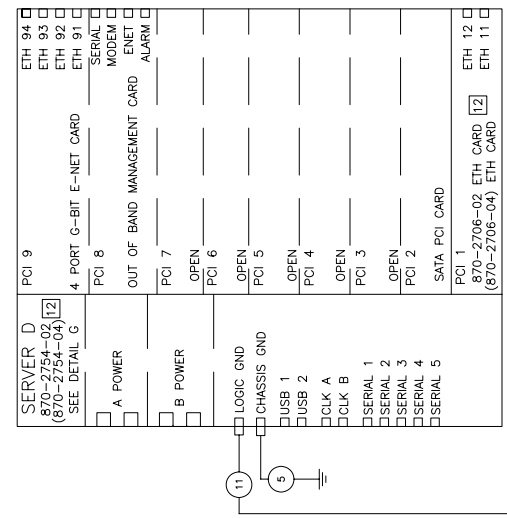
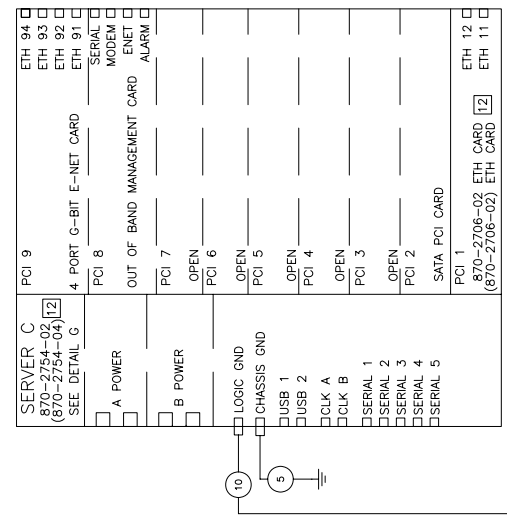
C

B

A

892-0070-01 2 D

TO LGC GND TERMINAL BLOCK
TO LGC GND TERMINAL BLOCK
TO LGC GND TERMINAL BLOCK
TO LGC GND TERMINAL BLOCK



SIZE	DIVISION	DRAWING NO.	REV.
D	NSG	892-0070-01	D
SCALE: NONE	FILE NAME: 892-0070-01_REV_D.DWG	SHEET 2	

THIS DOCUMENT AND THE DATA DISCLOSED HEREIN OR HEREWITH IS PROPRIETARY AND IS NOT TO BE REPRODUCED, USED OR DISCLOSED IN WHOLE OR PART TO ANYONE WITHOUT THE WRITTEN PERMISSION OF TEXELC. COPYRIGHT TEXELC. 2006.

8

7

6

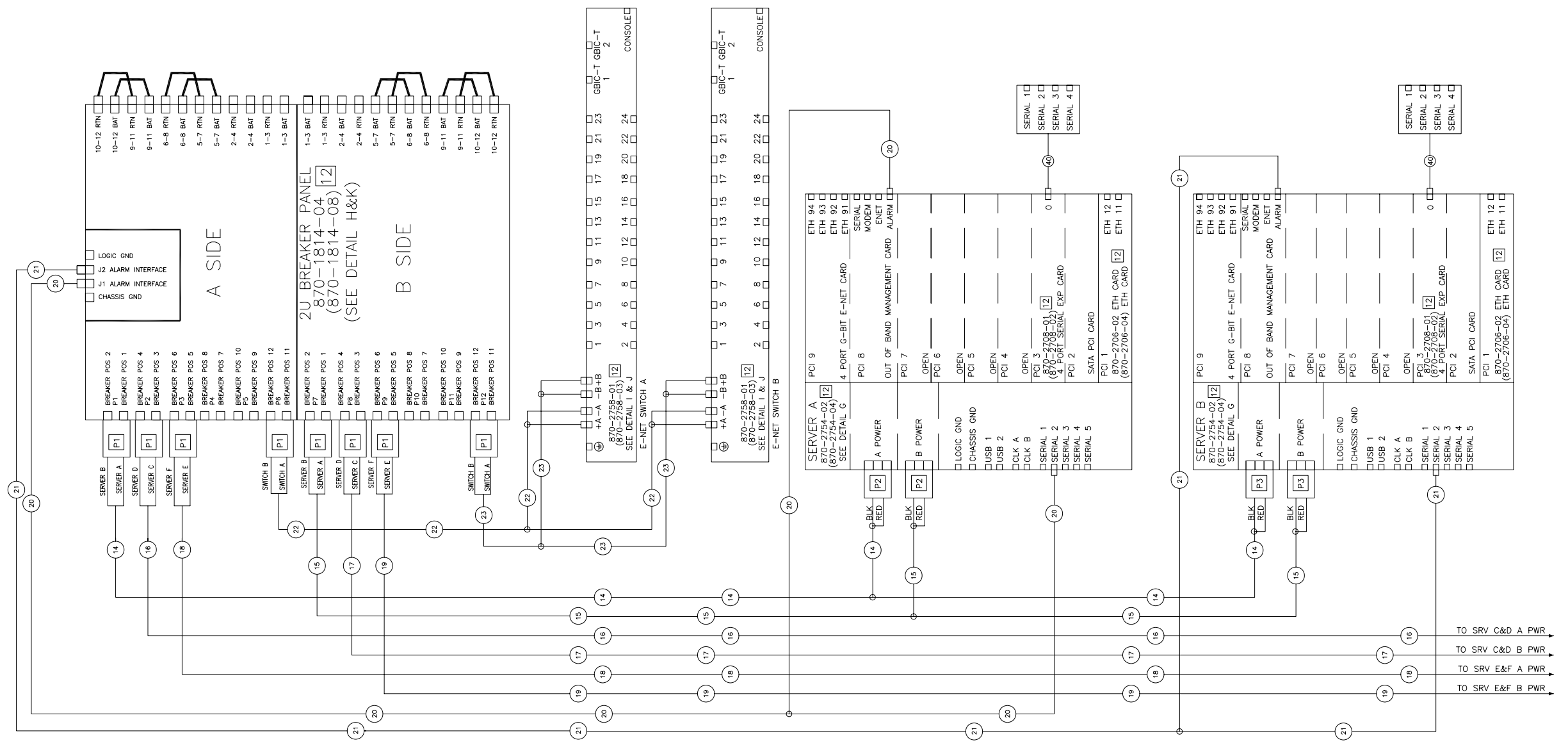
5

4

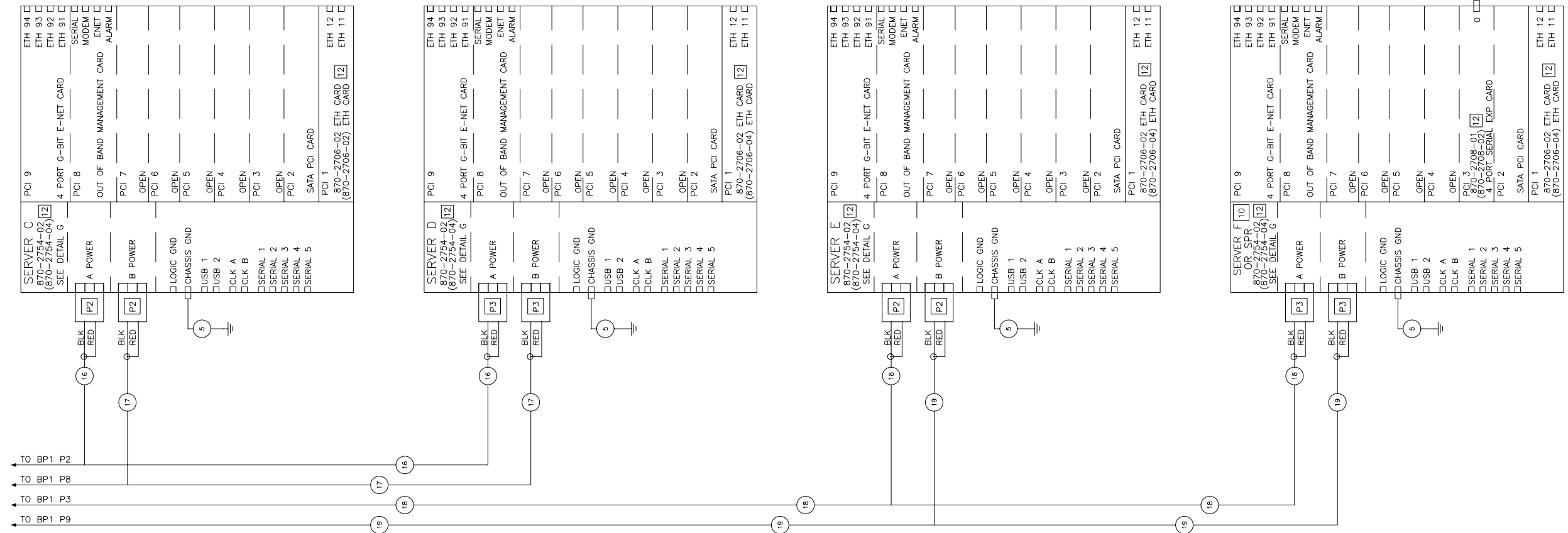
3

2

1



- 1) INSTALL ALL CABLE ASSEMBLIES WITH DRESSED BEND RADII IN ACCORDANCE WITH TEKELEC CABLE BEND RADIUS SPECIFICATION 906-0020-01.
- 2) ALL INTERCONNECTION POINTS SHALL BE STRAIN RELIEVED BY POSITIVE MECHANICAL FEATURES OR FASTENERS FOR LENGTH CONFIGURATIONS.
- 3) THIS DIAGRAM AND ALL PART NUMBERS SHOWN ARE FOR REFERENCE ONLY. REFERENCE CABLE PART NUMBERS WITH XX FOR THE DASH NUMBER ARE LENGTHS THAT ARE SITE SPECIFIC. SEE APPROPRIATE BILLS OF MATERIAL FOR SPECIFIC PART NUMBERS AND QUANTITIES.
- 4) NO ADDITIONS, DELETIONS, SUBSTITUTIONS OR MODIFICATIONS WITHOUT PRIOR WRITTEN TEKELEC APPROVAL.
- 5) SEE TEKELEC P/N 820-2410-01 FOR CURRENT LIST HARDWARE.
- 6) ALL POWER CABLES ARE CONNECTED WITH THE RED LEAD TO -48VDC TERMINAL AND THE BLACK LEAD TO RETURN TERMINAL.
- 7) -48 VDC, RTN, AND GND PRIMARY CABLING EXITING THE FRAME SHALL BE 6 AWG. SEE TABLES C, D AND E FOR LENGTH CONFIGURATIONS.
- 8) USE LABEL P/N 617-0009-01 TO MAKE LABEL SET FOR "FROM AND TO" ON CABLES AS INDICATED ON THE CABLE TABLES AND/OR THE APPLICATION TR. EACH CABLE INDICATED WILL REQUIRE A MIN OF 2 LABELS AS SHOWN IN DETAIL E. PERMANENTLY PRINT LABELS WITH .09 HIGH BLACK CHARACTERS. CENTER TEXT APPROXIMATELY AS SHOWN. MAX 23 CHARACTERS PER LINE. SEE DETAIL F FOR PLACEMENT OF LABELS ON CABLES.
- 9) USE LABEL P/N 617-0009-01 TO MAKE THE FOLLOWING LABELS. PERMANENTLY PRINT LABELS WITH .09 HIGH BLACK CHARACTERS. CENTER TEXT APPROXIMATELY AS SHOWN. MAX 23 CHARACTERS PER LINE.
 LABEL FOR SERVER A PCI 3 Serial Port 0: SERVER A SLOT 3 PORT 0
 LABEL FOR SERVER A PCI 3 Serial Port 1: CUSTOMER MMI
 LABEL FOR SERVER A PCI 3 Serial Port 2: RESERVED
 LABEL FOR SERVER A PCI 3 Serial Port 3: RESERVED
 LABEL FOR SERVER A PCI 3 Serial Port 4: CUSTOMER TERMINAL
 LABEL FOR SERVER B PCI 3 Serial Port 0: SERVER B SLOT 3 PORT 0
- 10) SERVER F MAY BE REFERRED TO AS SERVER SPR. SEE CABLE KIT AND APPLICATION TR.
- 11) DO NOT INSTALL. SHIP UNASSEMBLED AND PACKED WITH UNIT.
- 12) ORIGINAL PART NUMBERS TO BE USED FOR REFERENCE ONLY. CROSS REFERENCE PART NUMBERS SHALL BE USED FOR PRODUCTION OR REPLACEMENT SYSTEMS.



SIZE	DIVISION	DRAWING NO.	REV.
D	NSG	892-0070-01	D
SCALE: NONE	FILE NAME: 892-0070-01_REV_D.DWG	SHEET 4	

ITEM NO.	TEKELEC P/N	CROSS-REF P/N	QTY	LENGTH (INCHES)	RUN LIST AND LABEL INFORMATION FOR FROM AND TO	LABEL REQUIRED
1	830-0830-01	830-1181-01	1	11.00	FROM: BP1 GND / TO: FRAME	YES
2	830-0715-03	830-1130-03	1	84.00	FROM: FRAME / TO: CHASSIS GND	FIELD LABEL
3	CHASSIS GROUND		1	SEE TABLE F		FIELD LABEL
4	830-1015-01	830-1216-01	2	22.00	FROM: SWITCH / TO: FRAME GND	NO
5	830-0927-01	830-1124-01	6	14.00	FROM: SERVER CHASSIS GND / TO: FRAME	NO
6	LOGIC GROUND		1	SEE TABLE D	FROM: LOGIC GND TERMINAL BLOCK / TO: LOGIC GND	FIELD LABEL
7	830-1003-01	830-1273-01	1	18.00	FROM: BP1 LOGIC GND / TO: LOGIC GND TERM BLK POS 1	NO
8	830-1071-01	830-1218-01	1	64.00	FROM: SERVER A LOGIC GND / TO: LOGIC GND TERM BLK POS 2	NO
9	830-1071-02	830-1218-02	1	76.00	FROM: SERVER B LOGIC GND / TO: LOGIC GND TERM BLK POS 3	NO
10	830-1071-03	830-1218-03	1	84.00	FROM: SERVER C LOGIC GND / TO: LOGIC GND TERM BLK POS 4	NO
11	830-1071-04	830-1218-04	1	92.00	FROM: SERVER D LOGIC GND / TO: LOGIC GND TERM BLK POS 5	NO
12	830-1071-05	830-1218-05	1	102.00	FROM: SERVER E LOGIC GND / TO: LOGIC GND TERM BLK POS 6	NO
13	830-1071-06 OR -07	830-1218-06 OR -07	1	116.00	FROM: SERVER F OR SPR LOGIC GND / TO: LOGIC GND TERM BLK POS 7	NO
14	830-1085-01	830-1274-01	1	81.00	FROM: SERVER A AND B - A POWER / TO: BP1 P1	NO
15	830-1086-01	830-1275-01	1	81.00	FROM: SERVER A AND B - B POWER / TO: BP1 P7	NO
16	830-1086-02	830-1275-02	1	97.00	FROM: SERVER C AND D - A POWER / TO: BP1 P2	NO
17	830-1085-02	830-1274-02	1	93.00	FROM: SERVER C AND D - B POWER / TO: BP1 P8	NO
18	830-1085-03 OR -04	830-1274-03 OR -04	1	113.00	FROM: SERVER E AND F OR SPR - A POWER / TO: BP1 P3	NO
19	830-1086-03 OR -04	830-1275-03 OR -04	1	106.00	FROM: SERVER E AND F OR SPR - B POWER / TO: BP1 P9	NO
20	830-0020-01	830-1276-01	1	72.00	FROM: BP1 ALARM INT J1 / TO: SERVER A SERIAL PORT 2	YES
21	830-0020-02	830-1276-02	1	80.00	FROM: BP1 ALARM INT J2 / TO: SERVER B SERIAL PORT 2	YES
22	830-1088-01	830-1228-01	1	48.00	FROM: SWITCH A AND B - A POWER / TO: BP1 P6	NO
23	830-1087-01	830-1227-01	1	36.00	FROM: SWITCH A AND B - B POWER / TO: BP1 P12	NO
24	-48 RTN		2	SEE TABLE E		FIELD LABEL
25	-48 VDC (BAT)		2	SEE TABLE E		FIELD LABEL
26	-48 RTN		2	SEE TABLE C		FIELD LABEL
27	-48 VDC (BAT)		2	SEE TABLE C		FIELD LABEL

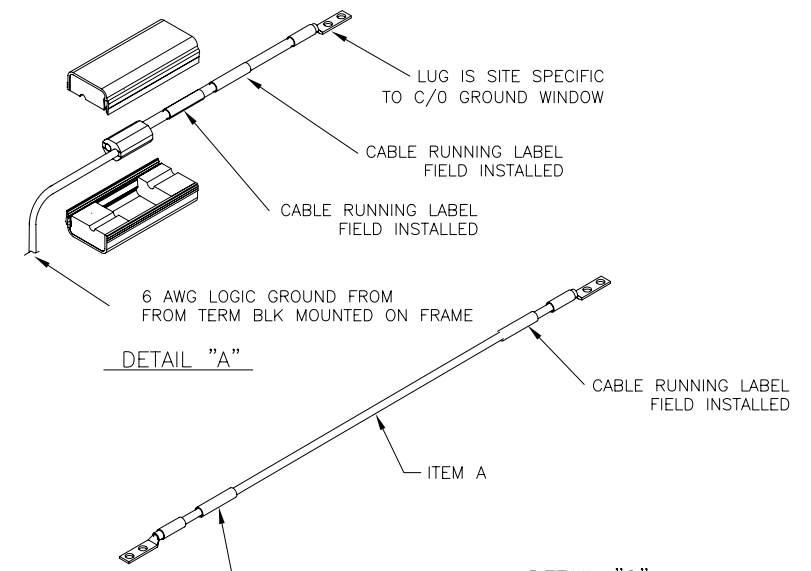
FROM
BP1 LARM INT J1
TO
SERVER B SERIAL PORT 2

FROM
SERVER B SERIAL PORT 2
TO
BP1 LARM INT J1

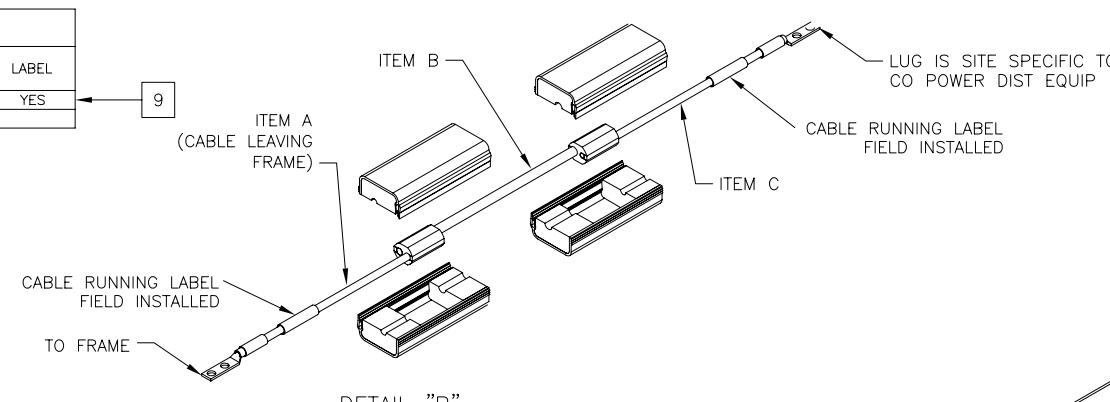
EXAMPLE OF TEXT SHOWN IN TABLES

EXAMPLE WITH TEXT REVERSED FROM FIRST LABEL

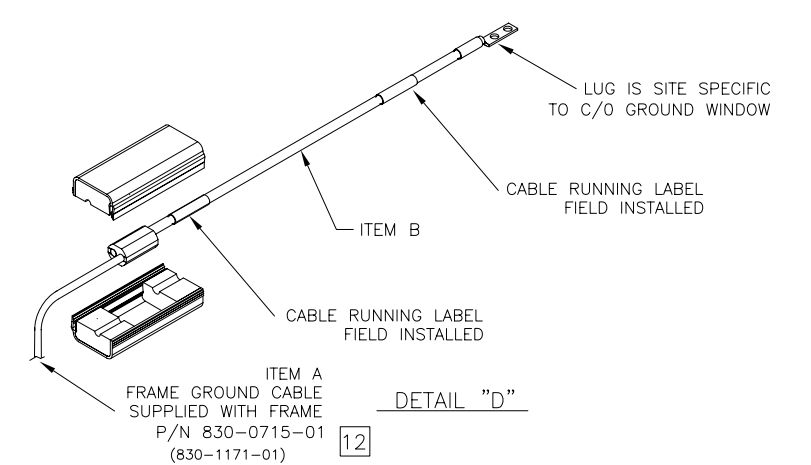
DETAIL "E" [8]
CABLE LABEL EXAMPLE USING CABLE ITEM NO. 20



ITEM NO.	TEKELEC P/N (CROSS-REF P/N)	QUANTITY	LENGTH	COMMENT	LABEL
35	870-2708-01 (-02)	3	36.00 INCHES	4 PORT SERIAL CABLE SUPPLIED WITH PCI CARD. LABEL INFO PER NOTE 9 SEE APPLICATION TR FOR ADDITIONAL DATA CABLES AND LABELING INFORMATION	YES

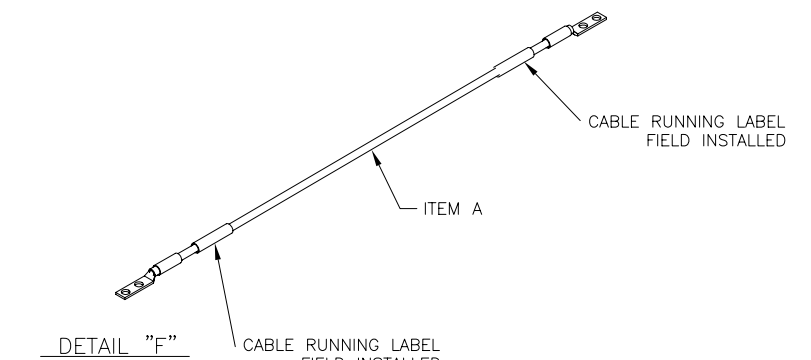


DISTANCE	ITEM A				ITEM B		ITEM C		HALF TAP SPLICE P/N	HTAP SOFT COVER P/N	COMMENT	REF. DETAIL
	CABLE P/N (CROSS-REF P/N)	CABLE AWG	TERMINAL LUG P/N (CROSS-REF P/N)	HEAT SHRINK P/N (CROSS-REF P/N)	CABLE P/N (CROSS-REF P/N)	CABLE AWG	CABLE CONSTRUCTION					
0' - 40'	690-0108-01(-R01)	6	502-0085-01(-R01)	804-0228-01(-R01)	690-0108-08(-R08)	2	N/A	NONE REQUIRED	NONE REQUIRED	CABLE LENGTH IS SITE-SPECIFIC	B	
40' - 70'	690-0108-01(-R01)	6	502-0085-01(-R01)	804-0228-01(-R01)	690-0108-03(-R03)	1/0	SITE SPECIFIC	T&B 63125	T&B HTC40	CABLE LENGTH IS SITE-SPECIFIC	B	
70' - 110'	690-0108-01(-R01)	6	502-0085-01(-R01)	804-0228-01(-R01)	690-0108-14(-R14)	2/0	SITE SPECIFIC	T&B 63125	T&B HTC40	CABLE LENGTH IS SITE-SPECIFIC, HTAPPED STUBS <= 10' EACH END	B	
110' - 170'	690-0108-01(-R01)	6	502-0085-01(-R01)	804-0228-01(-R01)	690-0108-13(-R13)	4/0	SITE SPECIFIC	T&B 63125	T&B HTC40	CABLE LENGTH IS SITE-SPECIFIC, HTAPPED STUBS <= 10' EACH END	B	
170' - 200'	690-0108-01(-R01)	6	502-0085-01(-R01)	804-0228-01(-R01)	690-0108-TBD(-RTBD)	350 MCM	SITE SPECIFIC	T&B 63125	T&B HTC40	CABLE LENGTH IS SITE-SPECIFIC, HTAPPED STUBS <= 10' EACH END	B	
200' - 220'	690-0108-01(-R01)	6	502-0085-01(-R01)	804-0228-01(-R01)	690-0108-TBD(-RTBD)	500 MCM	SITE SPECIFIC	T&B 63125	T&B HTC40	CABLE LENGTH IS SITE-SPECIFIC, HTAPPED STUBS <= 10' EACH END	B	



DISTANCE	PRIMARY CABLE PART NUMBER (CROSS-REF P/N)	CABLE AWG	TERMINAL LUG P/N (CROSS-REF P/N)	HEAT SHRINK PART NUMBER (CROSS-REF P/N)	COMMENT	REF. DETAIL
0'-40'	690-0131-01(-R01)	6	502-0085-01(-R01)	804-0228-01(-R01)	CABLE LENGTH IS SITE-SPECIFIC	C
40'-160'	690-0108-07(-R07)	1/0	804-0977-01(-R01)	804-0229-01(-R01)	CABLE LENGTH IS SITE-SPECIFIC	A

DISTANCE	ITEM A				ITEM B		ITEM C		HALF TAP SPLICE P/N	HTAP SOFT COVER P/N	COMMENT	REF. DETAIL
	CABLE P/N (CROSS-REF P/N)	CABLE AWG	TERMINAL LUG P/N (CROSS-REF P/N)	HEAT SHRINK P/N (CROSS-REF P/N)	CABLE P/N (CROSS-REF P/N)	CABLE AWG	CABLE CONSTRUCTION					
0' - 40'	690-0108-01(-R01)	6	502-0085-01(-R01)	804-0228-01(-R01)	N/A	--	N/A	NONE REQUIRED	NONE REQUIRED	CABLE LENGTH IS SITE-SPECIFIC	C	
40' - 65'	690-0108-01(-R01)	6	502-0085-01(-R01)	804-0228-01(-R01)	690-0108-04(-R04)	4	SITE SPECIFIC	T&B 63125	T&B HTC40	CABLE LENGTH IS SITE-SPECIFIC	B	
65' - 100'	690-0108-01(-R01)	6	502-0085-01(-R01)	804-0228-01(-R01)	690-0108-06(-R06)	2	SITE SPECIFIC	T&B 63125	T&B HTC40	CABLE LENGTH IS SITE-SPECIFIC, HTAPPED STUBS <= 10' EACH END	B	
100' - 160'	690-0108-01(-R01)	6	502-0085-01(-R01)	804-0228-01(-R01)	690-0108-03(-R03)	1/0	SITE SPECIFIC	T&B 63125	T&B HTC40	CABLE LENGTH IS SITE-SPECIFIC, HTAPPED STUBS <= 10' EACH END	B	

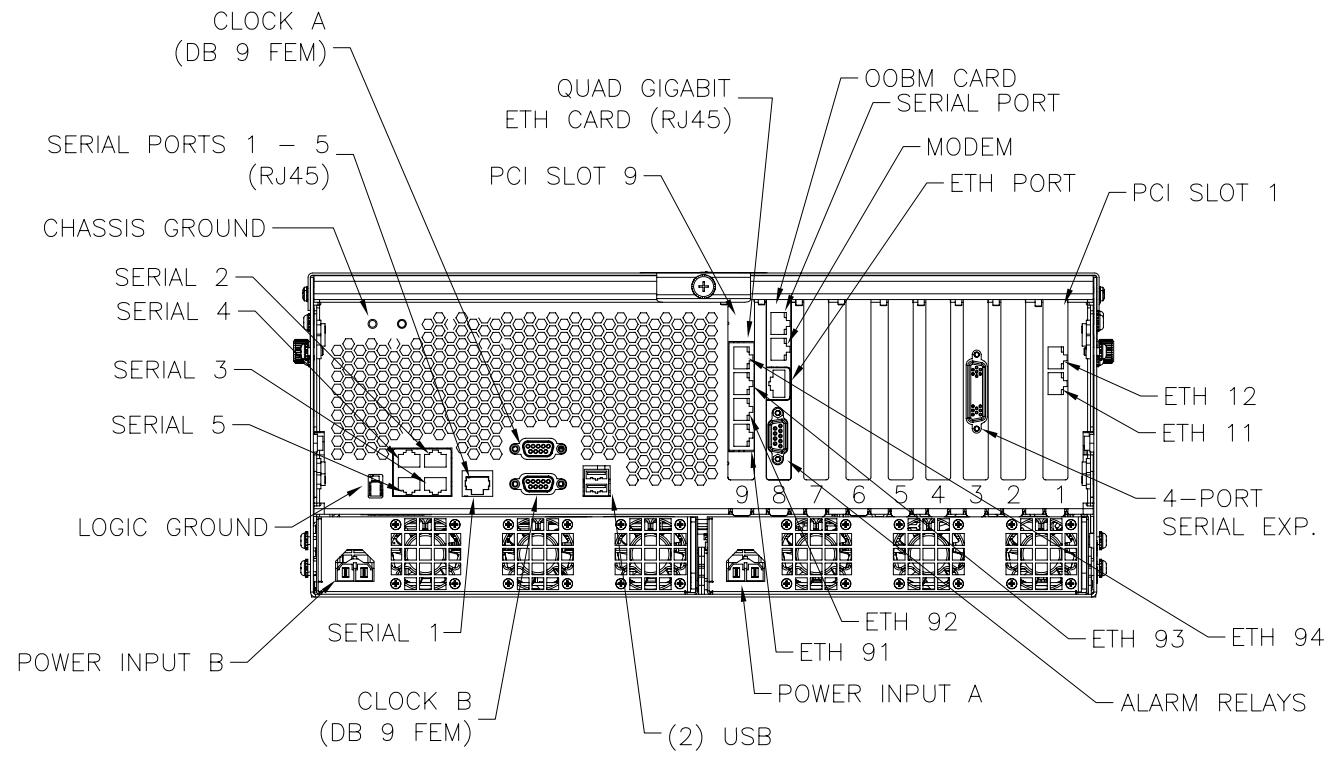


DISTANCE	CABLE P/N (CROSS-REF P/N)	CABLE AWG	ITEM A (830-0715-01 SUPPLIED WITH FRAME)		ITEM B		HTAP (A TO B CONNECTION) H TAP P/N (CROSS-REF P/N)	COMMENT	REF. DETAIL
			TERMINAL LUG P/N (CROSS-REF P/N)	HEAT SHRINK P/N (CROSS-REF P/N)	CABLE P/N (CROSS-REF P/N)	CABLE AWG			
0' - 40'	690-0131-01(-R01)	6	502-0085-01(-R01)	804-0228-01(-R01)	690-0131-01(-R01)	6	804-0865-01(-R01)	CABLE LENGTH IS SITE-SPECIFIC	D
40' - 160'	690-0108-01(-R01)	6	502-0085-01(-R01)	804-0228-01(-R01)	690-0108-07(-R07)	1/0	804-0865-01(-R01)	CABLE LENGTH IS SITE-SPECIFIC	D

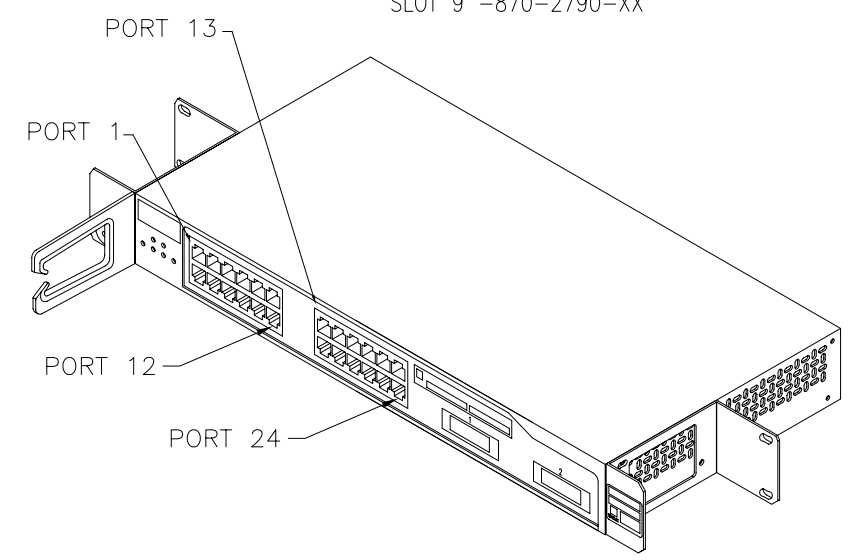
SIZE	DIVISION	DRAWING NO.	REV.
D	NSG	892-0070-01	D
SCALE: NONE	FILE NAME: 892-0070-01_REV_D.DWG	SHEET 5	

THIS DOCUMENT AND THE DATA DISCLOSED HEREIN OR HEREWITH IS PROPRIETARY AND IS NOT TO BE REPRODUCED, USED OR DISCLOSED IN WHOLE OR PART TO ANYONE WITHOUT THE WRITTEN PERMISSION OF TEKELEC. COPYRIGHT TEKELEC 2006.

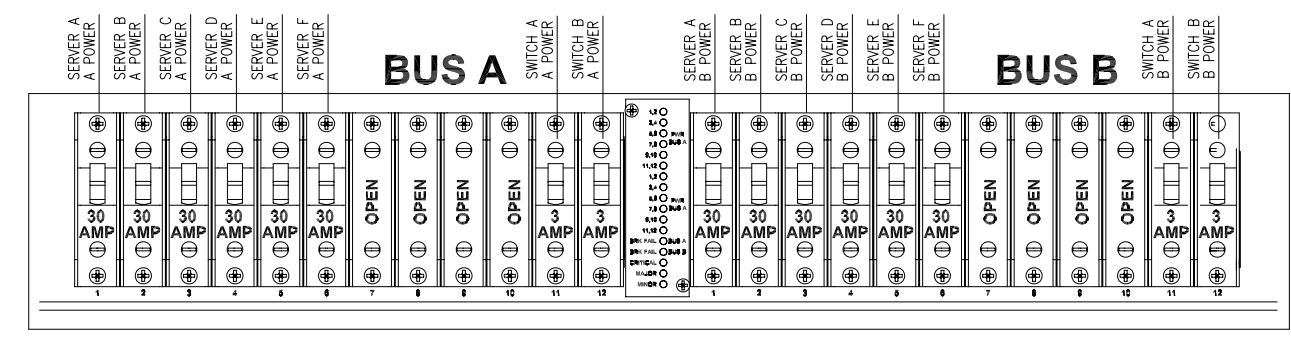
D



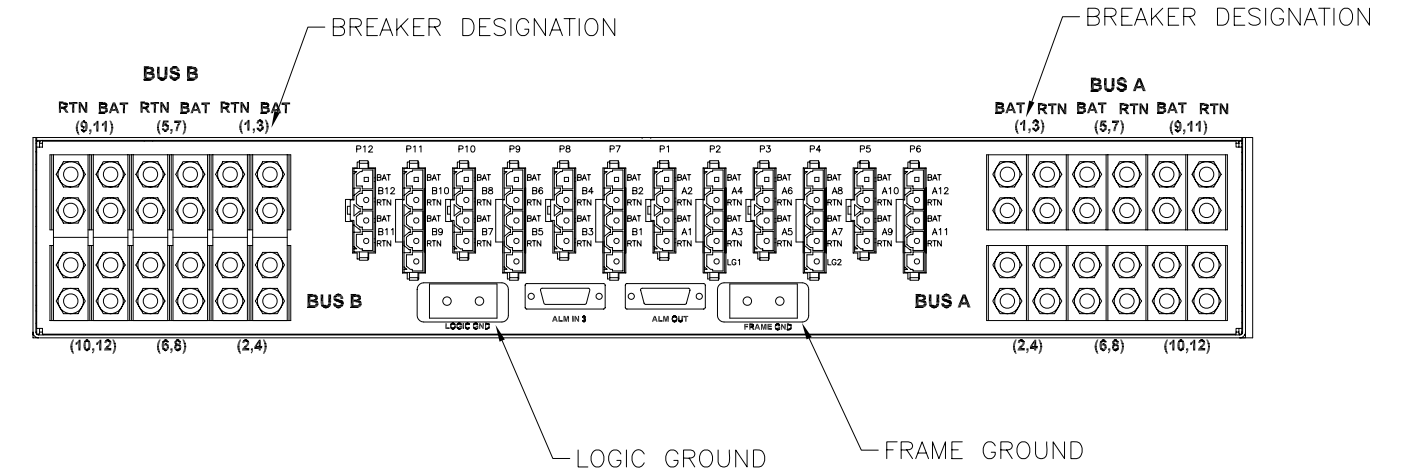
DETAIL G
 SERVER A AND B (REAR VIEW)
 870-2754-02 (-04) W/ PCI CARDS:
 SLOT 1 -870-2706-XX
 SLOT 2 -870-2799-XX
 SLOT 3 -870-2708-XX
 SLOT 8 -870-2798-XX
 SLOT 9 -870-2790-XX



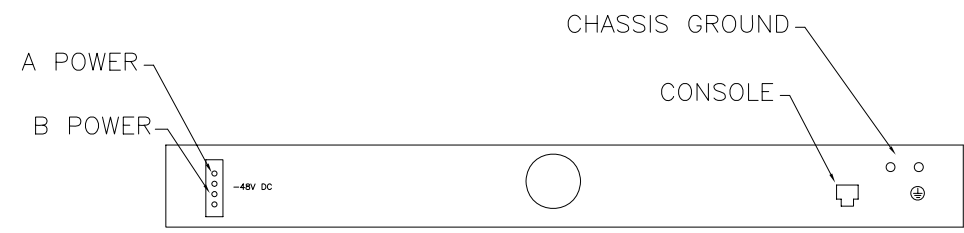
DETAIL I
 ISO VIEW OF THE FRONT-SWITCH
 870-2758-01 (-03)



DETAIL H - FRONT VIEW-CIRCUIT BREAKER
 870-1814-04 (-08)



DETAIL K-REAR VIEW - CIRCUIT BREAKER
 870-1814-04 (-08)



DETAIL J
 REAR VIEW-SWITCH
 870-2758-01 (-03)

D

892-0070-01 6 D

C

B

A

SIZE	DIVISION	DRAWING NO.	REV.
D	NSG	892-0070-01	D
SCALE: NONE		FILE NAME: 892-0070-01_REV_D.DWG	SHEET 6