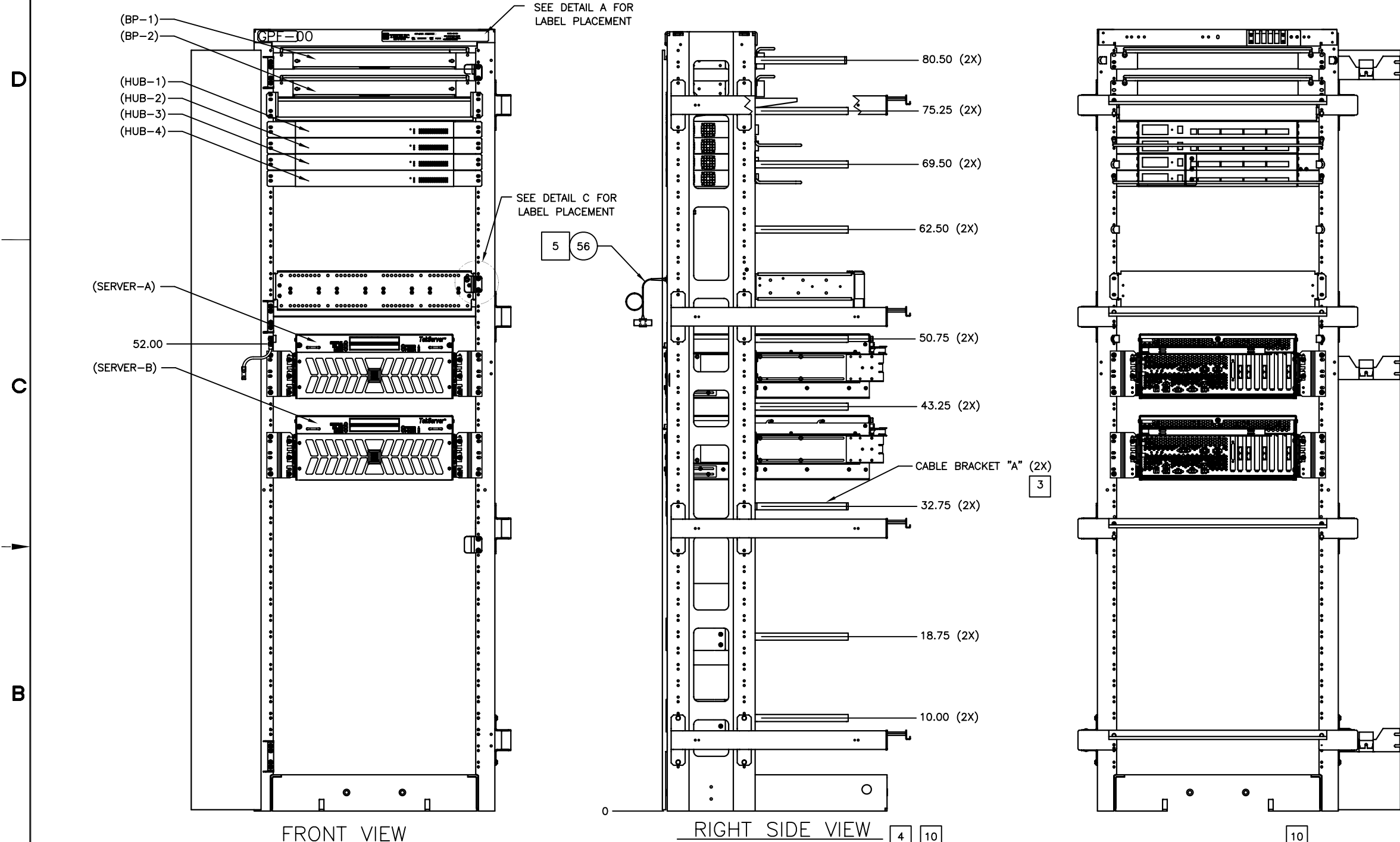


NOTES: UNLESS OTHERWISE SPECIFIED

| REVISIONS | | | |
|-----------|------------------------|----------|-------------|
| REV | DESCRIPTION | DATE | APPROVED |
| A | RELEASE PER ECN #12783 | 4/22/03 | D. GRIFFITH |
| B | REVISED PER ECO #12973 | 8/20/03 | D. GRIFFITH |
| C | REVISED PER ECO #13150 | 10/24/03 | D. GRIFFITH |
| D | REVISED PER ECO #13263 | 12/18/03 | D. GRIFFITH |
| E | REVISED PER ECO #13404 | 2/24/04 | D. GRIFFITH |
| F | REVISED PER ECO #13679 | 07/21/04 | BRYAN |
| G | REVISED PER ECO #14057 | 11/22/04 | BRYAN |
| H | REVISED PER ECO #17538 | 7/2/07 | ARMSTRONG |



DOCUMENT CONTROL
PRODUCTION RELEASE

REAR VIEW

- 20 SERIAL EXPANSION CARD, 870-2708-01, SALES ORDER LINE ITEM.
- 21 ETHERNET CARD, 870-2706-XX, SALES ORDER LINE ITEM.
- 22 REMOVE ADHESIVE BACKING AND ATTACH LABEL IN RECESSED AREA.
- 23 OPERATING KEY (ITEM 73) NOT SHOWN. KEY TO BE PACKAGED AND SHIPPED WITH ASSEMBLY.

FINAL ASSEMBLY DRAWING
MAXIMUM CONFIGURATION
SEE SEPARATE PARTS LIST

- 1) NO ADDITIONS, DELETIONS, SUBSTITUTIONS OR MODIFICATIONS WITHOUT PRIOR WRITTEN TEKELEC APPROVAL.
- 2) TORQUE ALL FASTENERS IN ACCORDANCE WITH TEKELEC SPECIFICATION 906-0008-01.
- 3 REFER TO SHEET 3, DETAIL B.
- 4 FOR LOCATING INDIVIDUAL PARTS, USE DIMENSION SHOWN.
- 5 DO NOT INSTALL. SHIP UNASSEMBLED AND PACKED WITH UNIT.
- 6 LABEL SHOWN IS HALF OF ITEM 34. POSITION HORIZONTALLY AS SHOWN.
- 7) REFER TO INTERCONNECT DIAGRAM (ITEM 51) FOR LOCATION OF CABLES. CABLES (EXCEPT ITEM 35) NOT SHOWN. USE CABLE TIE MOUNT (ITEM 55) FOR CABLE ROUTING, QUANTITY AS REQUIRED.
- 8 LOCATE APPROXIMATELY AS SHOWN.
- 9 A QUANTITY OF 8 SCREWS (ITEM 3) ARE NEEDED TO ATTACH THE GROUND CABLES FOR THE CIRCUIT BREAKERS AND THE HUBS TO THE FRAME. THESE SCREWS ARE NOT SHOWN.
- 10 SHOWN WITH REAR NEBS PANELS (ITEM 13) REMOVED FOR CLARITY.
- 11 MOUNT STRAIN RELIEF BRACKET (ITEM 10) ON TOP OF BREAKER PANEL BRACKET AT THIS POSITION, USING ITEM 3 SCREWS AS SHOWN.
- 12 DELETED
- 13 REFER TO FRONT VIEW (SHEET 1) FOR MODULE IDENTIFICATION AND LOCATION.
- 14) UNLESS OTHERWISE SPECIFIED, ITEMS NOT SHOWN TO BE SHIPPED PACKED WITH UNIT EXCEPT FOR ITEMS WITH BOM QUANTITY OF 0 (REFERENCE DOCUMENTS).
- 15 RACK DOLLY, FOR SHIPPING ONLY. TO BE REMOVED DURING INSTALLATION.
- 16 SLIDES AND MOUNTING SCREWS ARE PART OF SLIDE MOUNTING KIT, PART NUMBER 804-1706-XX, SALES ORDER ITEM.
- 17 MODEM CARD, 870-2707-01, SALES ORDER LINE ITEM.

- 18 INSTALL PCI CARDS (SHOWN) AND HARD DRIVES (870-2721-02, NOT SHOWN, SALES ORDER LINE ITEM) PER SUB-ASSEMBLY INSTRUCTIONS IN TEKSERVER (870-2640-01, SALES ORDER LINE ITEM) ASSEMBLY DOCUMENTS.
- 19 PART OF SLIDE MOUNTING KIT, SALES ORDER ITEM. QUANTITIES SHOWN ARE FOR ONE TEKSERVER MOUNTING.

| | | | |
|-------------------------|-----------------|--|-----------|
| PART NO. 890-1801-01 | | APPLICATION HEAVY DUTY FRAME FOR TEKSERVERS MPS | |
| APPROVALS | | DATE | |
| DRAWN BY S. LYTLE | | 4/11/03 | |
| CHECKED J. MYERS | | 4/15/03 | |
| APPROVED D. GRIFFITH | | 4/15/03 | |
| SIZE D | DIVISION NSG | DRAWING NO. 890-1384-02 | REV. H |
| SCALE: 1/6 | | FILE NAME: 890-1384-02_HDWG SHEET 1 OF 5 | |

UNLESS OTHERWISE SPECIFIED:
DO NOT SCALE DRAWING.
DIMENSIONS ARE IN INCHES.
INTERPRET DIMENSIONS IN ACCORDANCE WITH ASME Y14.5M-1994.
DRAWING TO CONFORM TO TEKELEC SPECIFICATION 907-0169-01.
DEBURR AND BREAK SHARP EDGES AND CORNERS .005-.015.
MACHINED SURFACE FINISH 125 ✓
DECIMAL TOLERANCES:
.XX = ±.02 .XXX = ±.005
ANGLE TOLERANCE: ± 1°

THIS DOCUMENT AND THE DATA DISCLOSED HEREIN OR HEREWITH IS PROPRIETARY AND IS NOT TO BE REPRODUCED, USED OR DISCLOSED IN WHOLE OR PART TO ANYONE WITHOUT THE WRITTEN PERMISSION OF TEKELEC. COPYRIGHT TEKELEC 2001.

FINISH

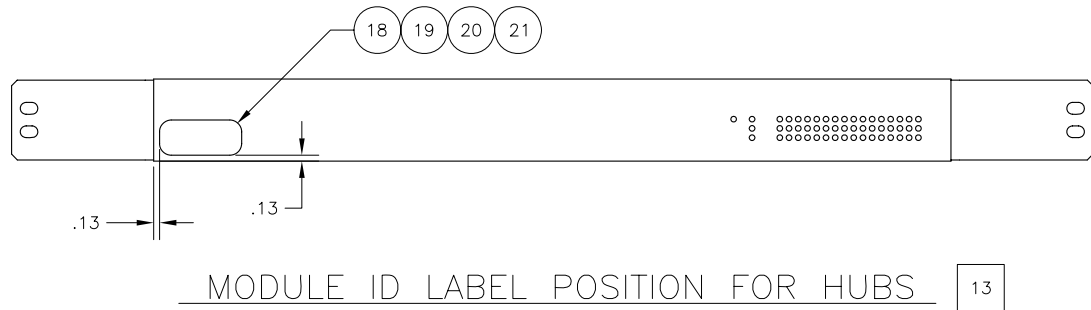
APPLICATION

MATERIAL

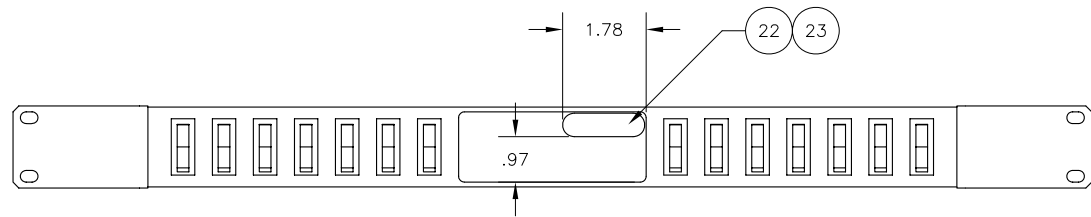
TEKELEC 26580 W. Agoura Road, Calabasas, California 91302

GEN DWG_HEAVY DUTY FRAME MPS W/TEKSERVER

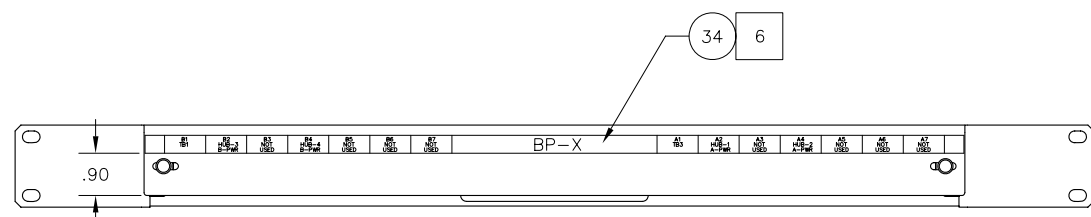
D



MODULE ID LABEL POSITION FOR HUBS 13



MODULE ID LABEL POSITION FOR BREAKER PANELS (SHOWN WITHOUT FRONT COVER) 13

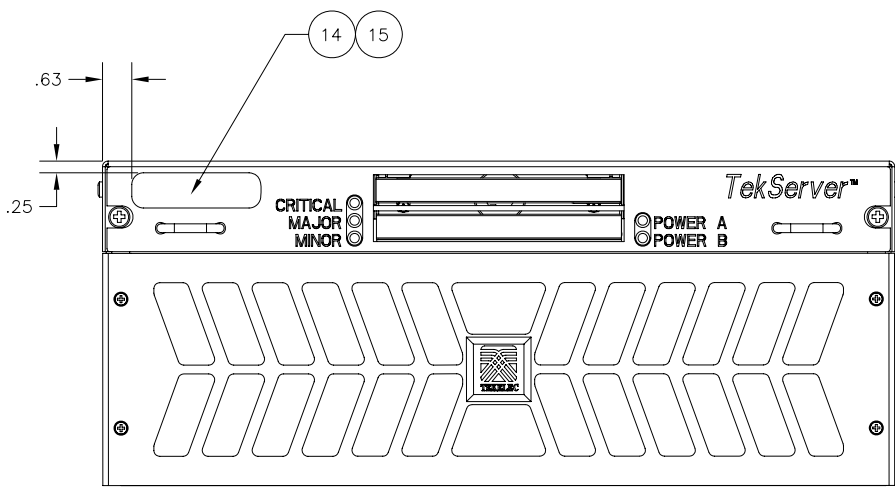


SWITCH LABEL LABEL POSITION FOR BREAKER PANELS

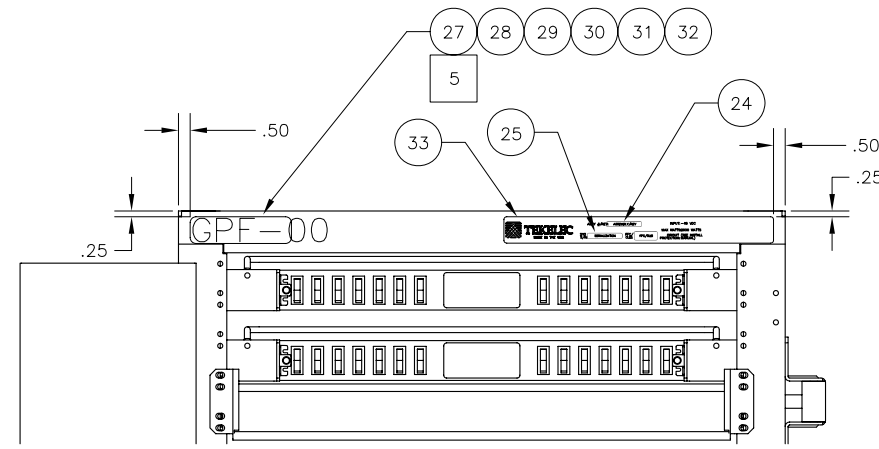
C

B

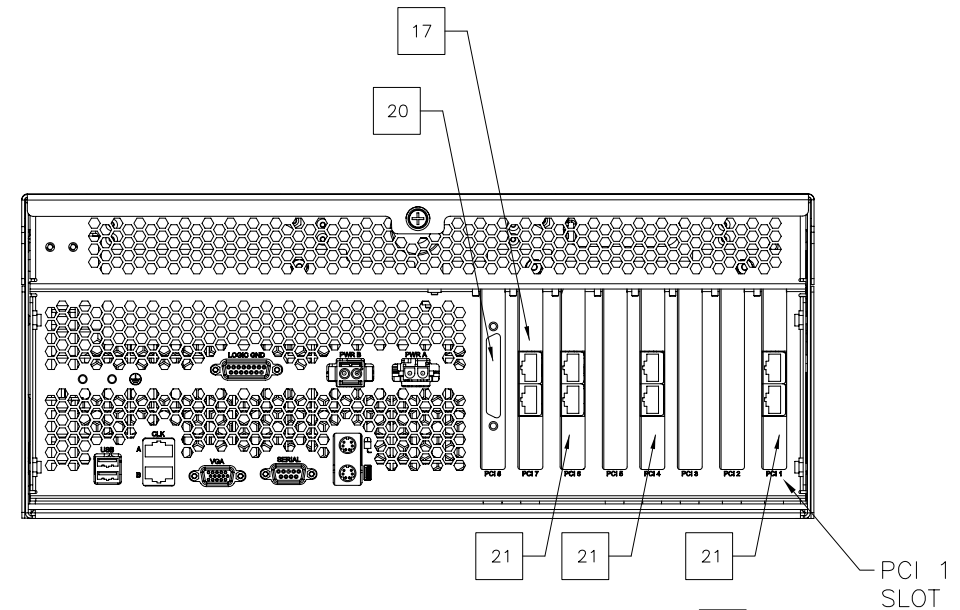
A



MODULE ID LABEL POSITION FOR SERVERS 13



DETAIL 'A' LABEL PLACEMENT SCALE: 1/4



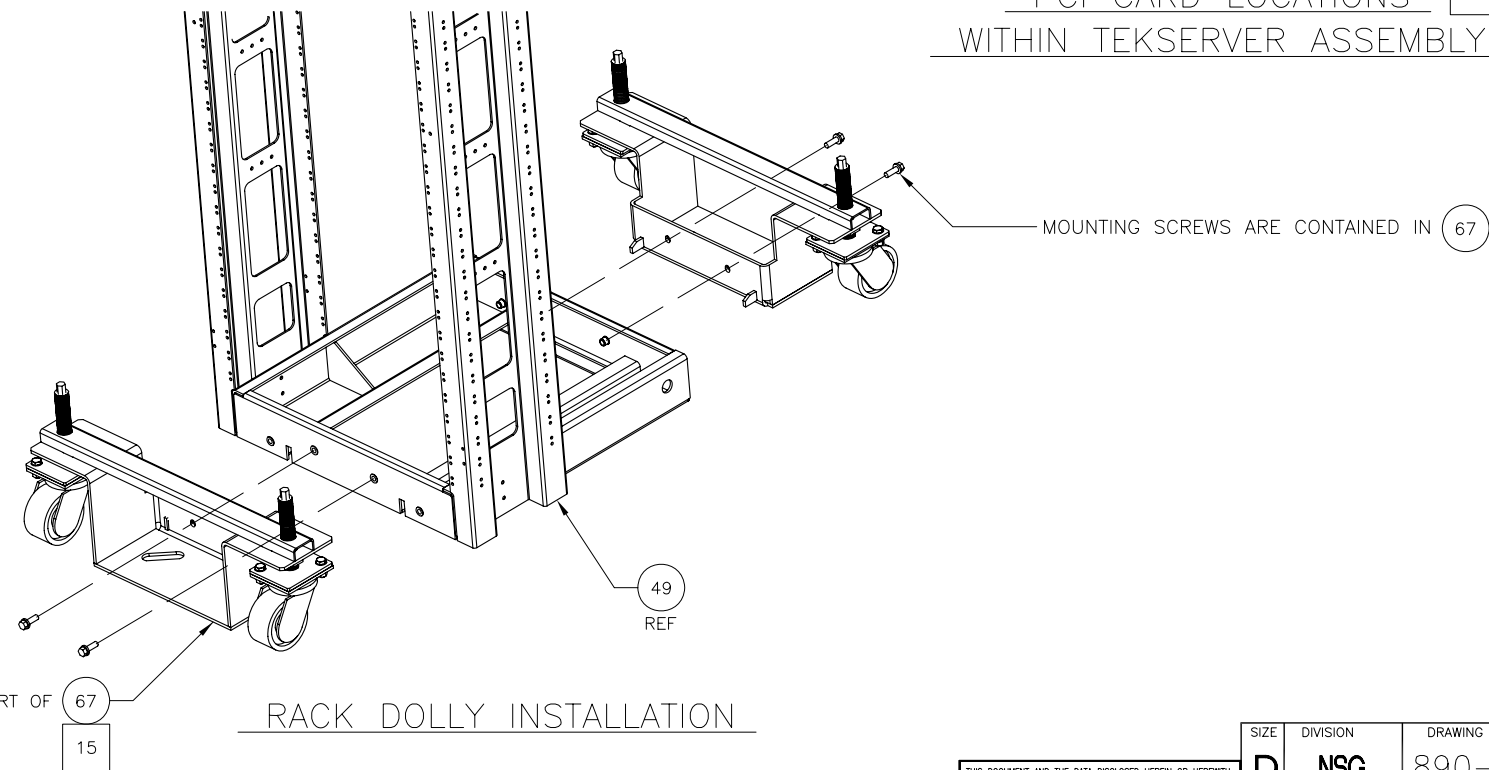
PCI CARD LOCATIONS WITHIN TEKSERVER ASSEMBLY 18

D

C

B

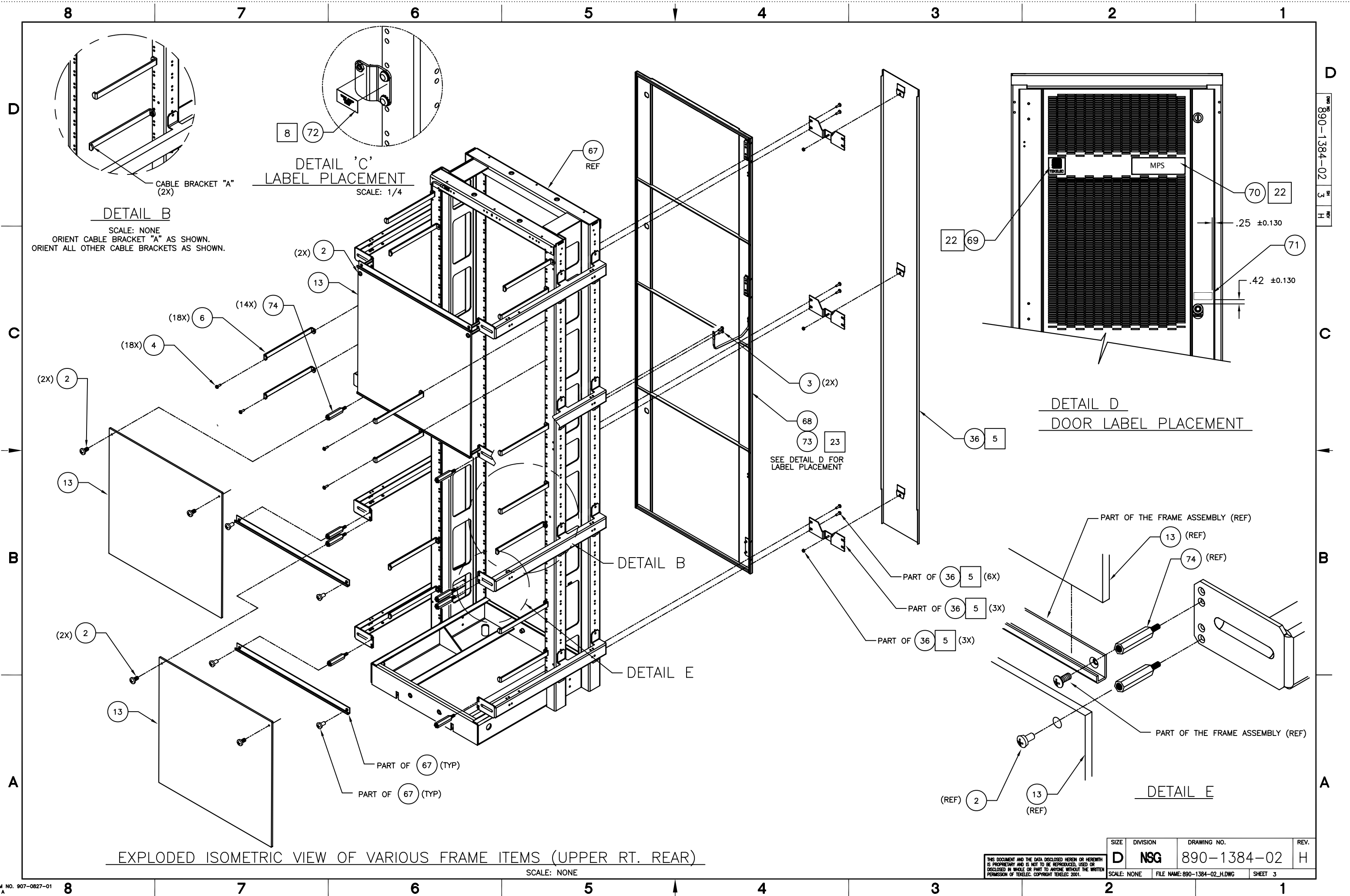
A



RACK DOLLY INSTALLATION

| | | | |
|-------------|------------------------------|-------------|------|
| SIZE | DIVISION | DRAWING NO. | REV. |
| D | NSG | 890-1384-02 | H |
| SCALE: NONE | FILE NAME: 890-1384-02_H.DWG | SHEET 4 | |

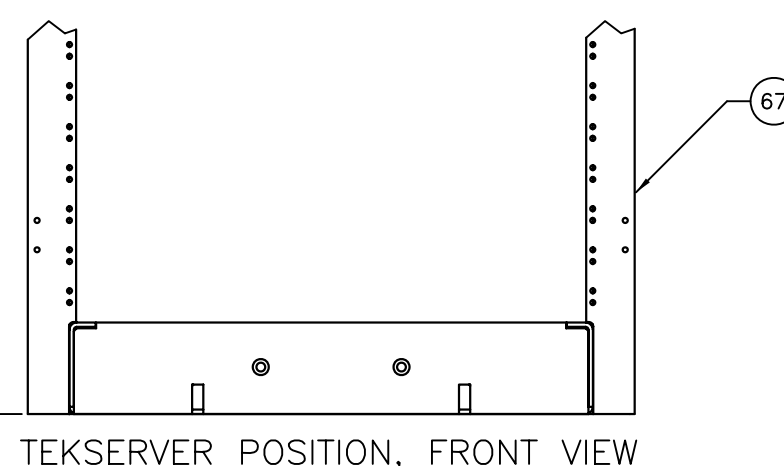
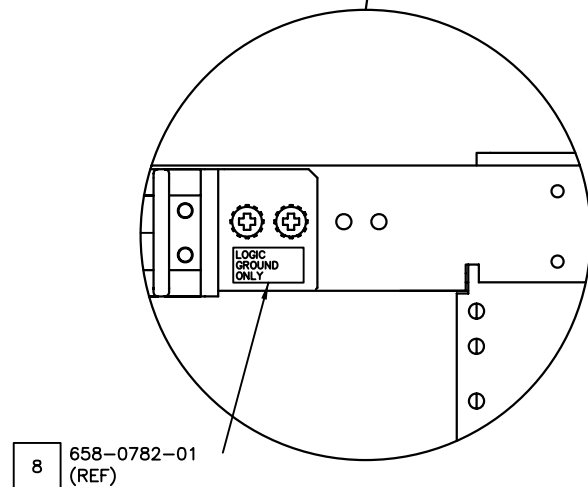
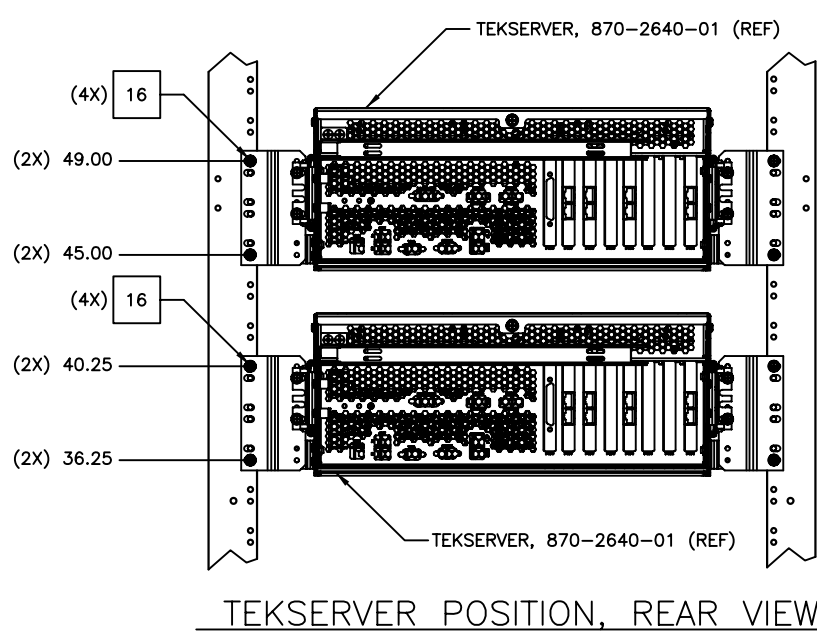
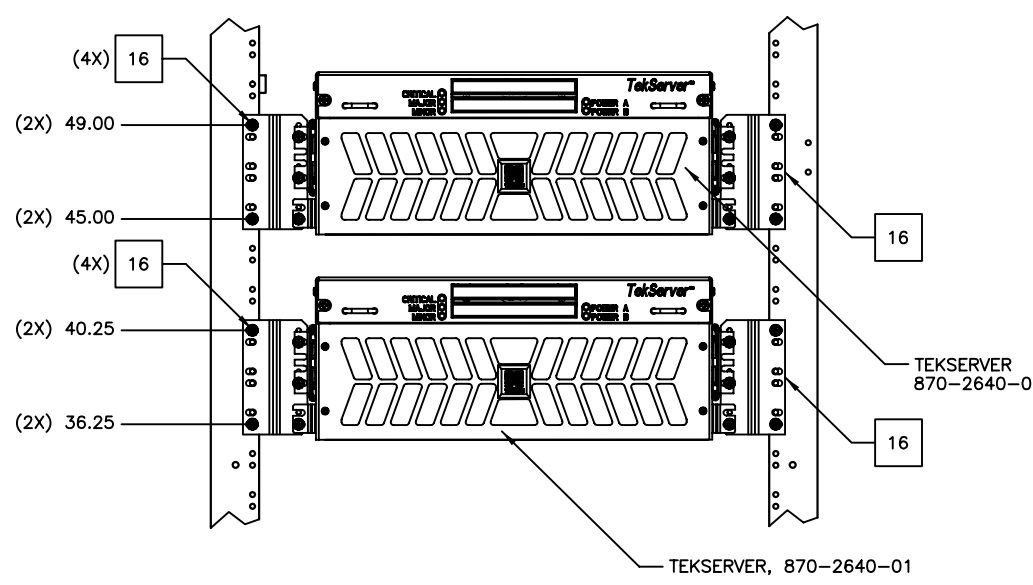
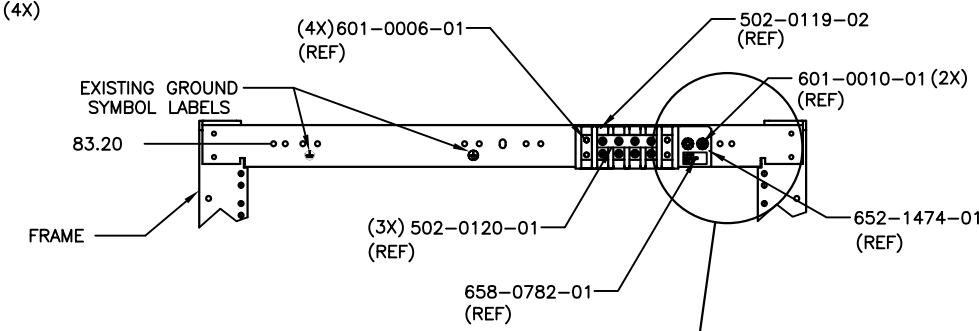
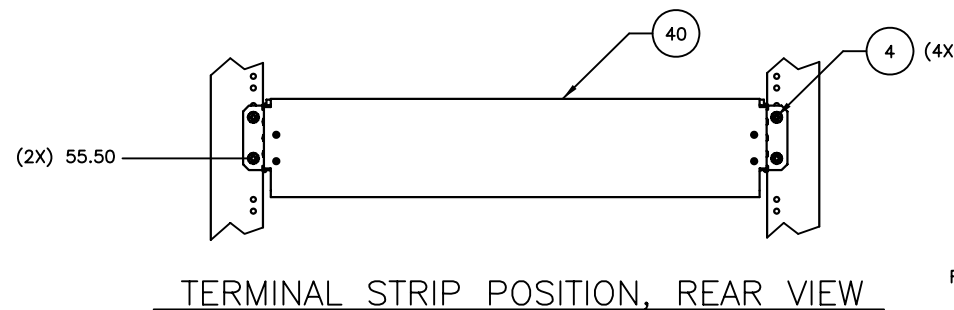
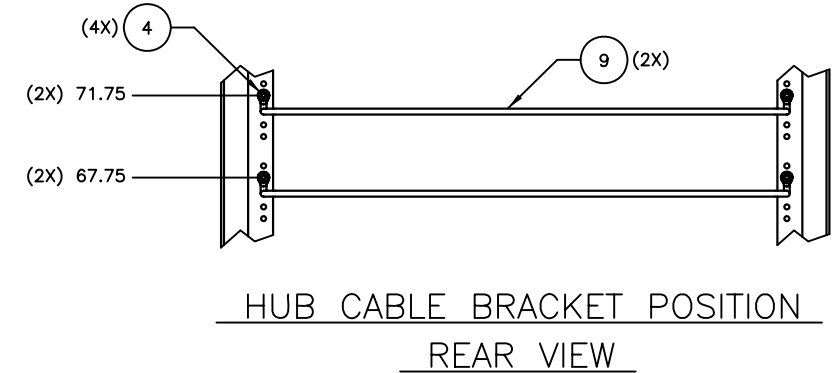
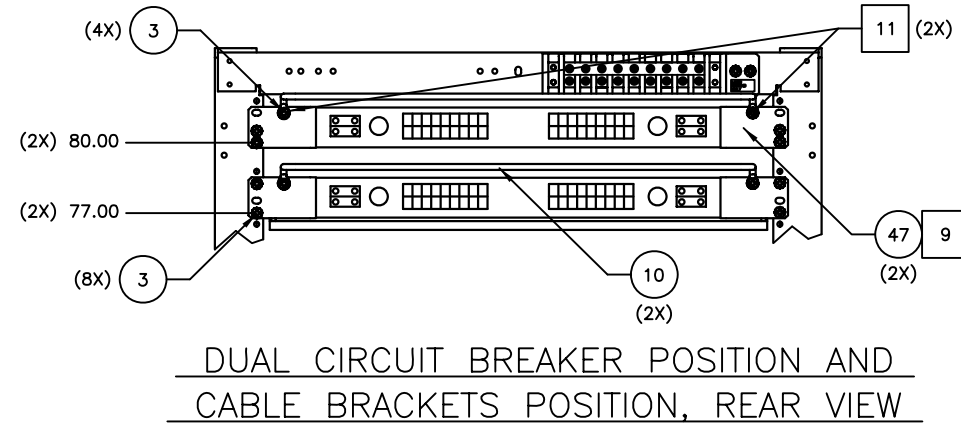
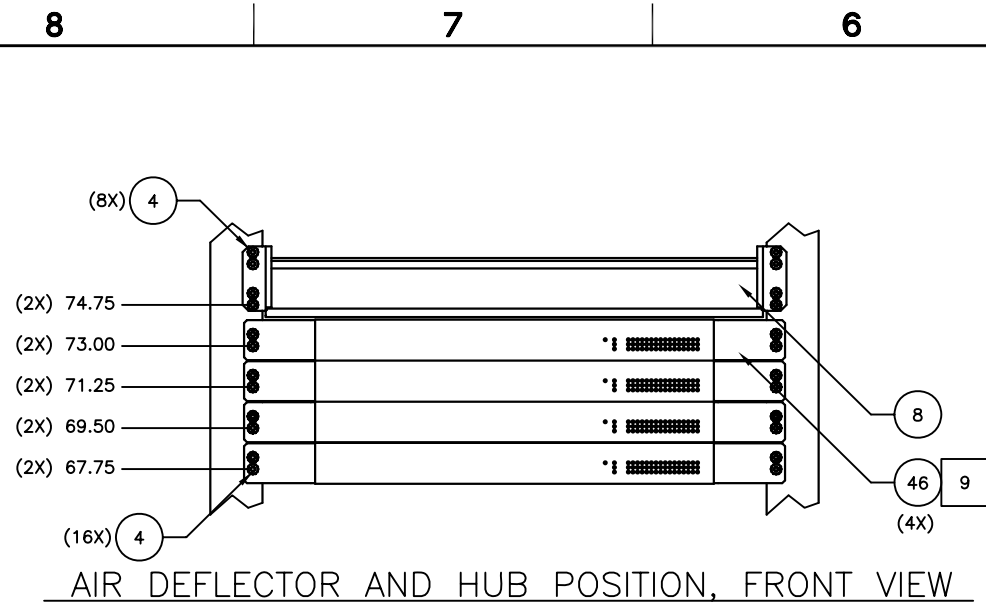
THIS DOCUMENT AND THE DATA DISCLOSED HEREIN OR HEREMETH IS PROPRIETARY AND IS NOT TO BE REPRODUCED, USED OR DISCLOSED IN WHOLE OR PART TO ANYONE WITHOUT THE WRITTEN PERMISSION OF TEKLEC. COPYRIGHT TEKLEC 2001.



FORM NO. 890-1384-02
 3 H REV

| SIZE | DIVISION | DRAWING NO. | REV. |
|------|----------|-------------|------|
| D | NSG | 890-1384-02 | H |

SCALE: NONE FILE NAME: 890-1384-02_H.DWG SHEET 3

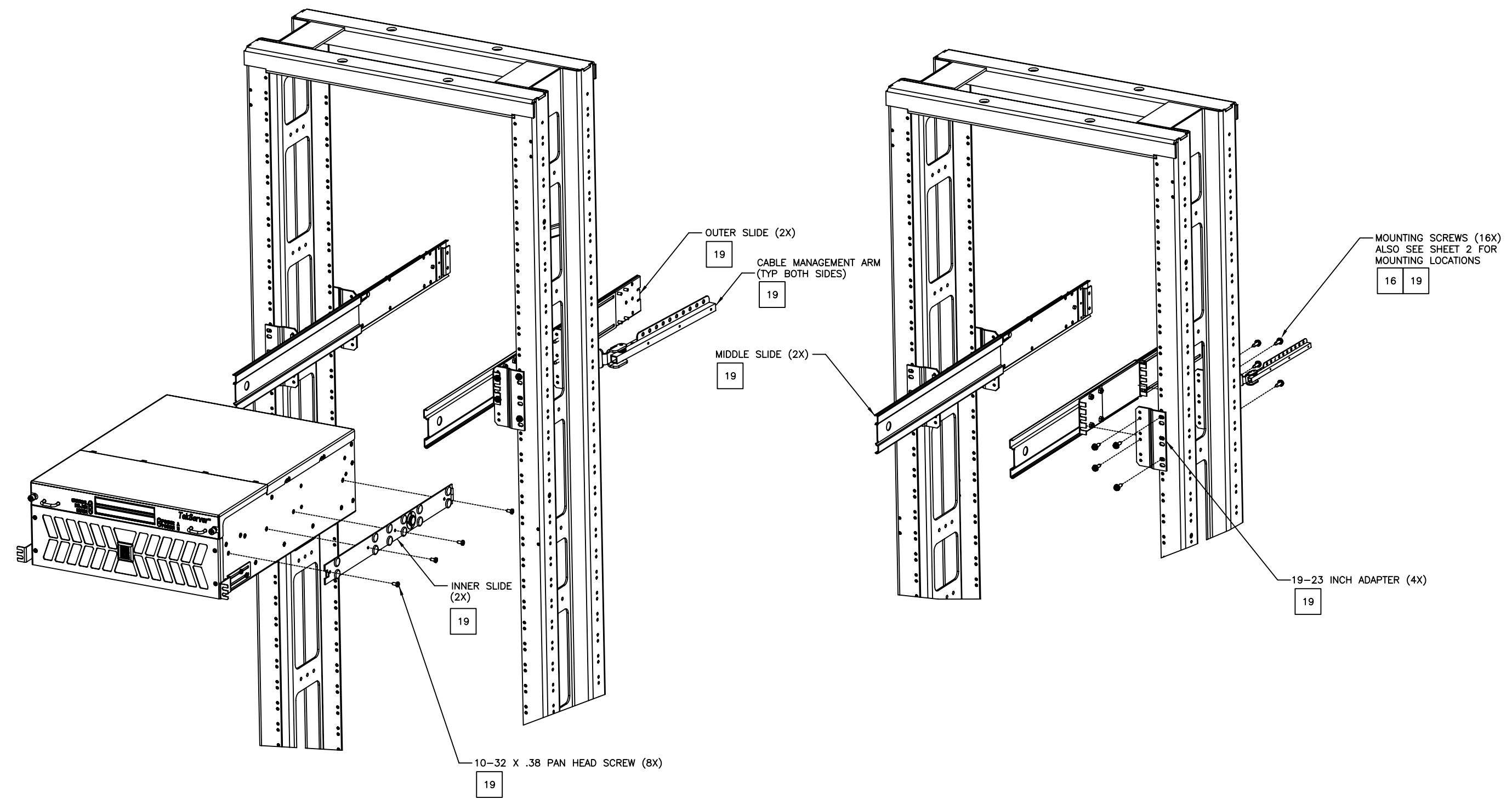


8 7 6 5 4 3 2 1

D
C
B
A

D
C
B
A

FORM NO. 890-1384-02 5 H



TEKSERVER SLIDE MOUNTING VIEW

| | | | | |
|--|------------------|------------------------------|----------------------------|-----------|
| THIS DOCUMENT AND THE DATA DISCLOSED HEREIN OR HEREWITH IS PROPRIETARY AND IS NOT TO BE REPRODUCED, USED OR DISCLOSED IN WHOLE OR PART TO ANYONE WITHOUT THE WRITTEN PERMISSION OF TEKLOG. COPYRIGHT TEKLOG: 2001. | SIZE D | DIVISION NSG | DRAWING NO. 890-1384-02 | REV. H |
| | SCALE: NONE | FILE NAME: 890-1384-02_H.DWG | SHEET 5 | |

8 7 6 5 4 3 2 1