

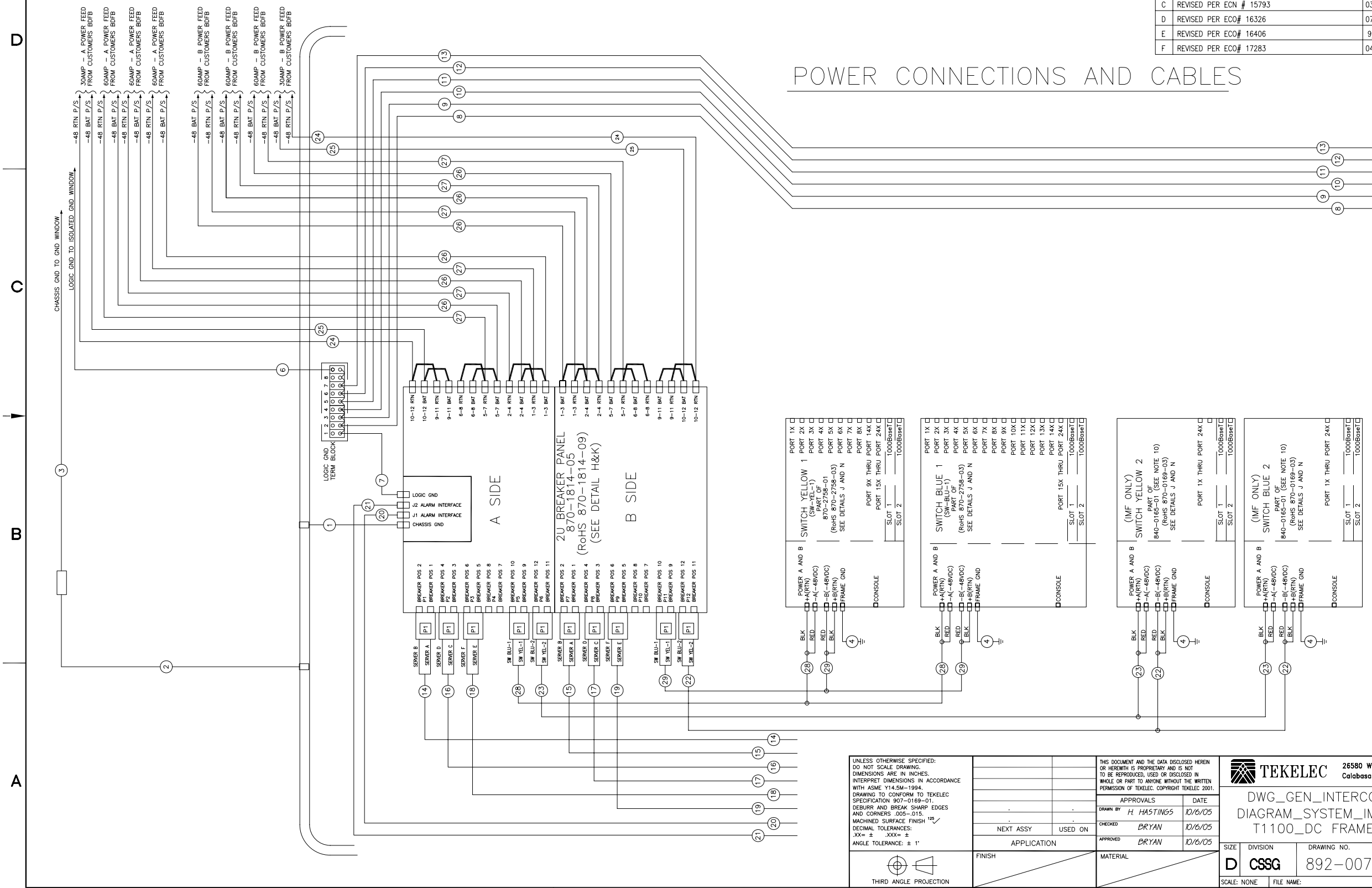
NOTES: UNLESS OTHERWISE SPECIFIED

SEE PAGE 3 FOR NOTES

DOCUMENT CONTROL
PRODUCTION RELEASED

REVISIONS			
REV	DESCRIPTION	DATE	APPROVED
A	RELEASE PER ECO #15315	10/28/05	BRYAN
B	REVISED PER ECN # 15494	12/08/05	M.BRYAN
C	REVISED PER ECN # 15793	03/20/06	M.BRYAN
D	REVISED PER ECO# 16326	07/31/06	M.BRYAN
E	REVISED PER ECO# 16406	9/18/06	M.BRYAN
F	REVISED PER ECO# 17283	04/02/07	M.BRYAN

POWER CONNECTIONS AND CABLES



UNLESS OTHERWISE SPECIFIED:
DO NOT SCALE DRAWING.
DIMENSIONS ARE IN INCHES.
INTERPRET DIMENSIONS IN ACCORDANCE WITH ASME Y14.5M-1994.
DRAWING TO CONFORM TO TEKELEC SPECIFICATION 907-0169-01.
DEBUR AND BREAK SHARP EDGES AND CORNERS .005-.015.
MACHINED SURFACE FINISH 12.5
DECIMAL TOLERANCES:
XXX ± .XXX" ±
ANGLE TOLERANCE: ± 1'

APPROVALS	DATE
DRAWN BY H HASTINGS	10/6/05
CHECKED BRYAN	10/6/05
APPROVED BRYAN	10/6/05
NEXT ASSY	USED ON
APPLICATION	MATERIAL

THIS DOCUMENT AND THE DATA DISCLOSED HEREIN OR HEREWITH IS PROPRIETARY AND IS NOT TO BE REPRODUCED, USED OR DISCLOSED IN WHOLE OR PART TO ANYONE WITHOUT THE WRITTEN PERMISSION OF TEKELEC. COPYRIGHT TEKELEC 2001.

TEKELEC 25580 W. Agoura Road, Calabasas, California 91302

DWG_GEN_INTERCONNECT
DIAGRAM_SYSTEM_IMF/PMF_
T1100_DC FRAME ASSY

SIZE	DIVISION	DRAWING NO.	REV.
D	CSSG	892-0072-01	F

SCALE: NONE FILE NAME: SHEET 1 OF 7

8 7 6 5 4 3 2 1

TABLE A - POWER CABLE PART NUMBERS

Table with columns: ITEM NO., TEKELEC P/N, RoHS TEKELEC P/N, QTY, LENGTH (INCHES), RUN LIST AND LABEL INFORMATION FOR FROM AND TO, LABEL REQUIRED. Lists various power cable specifications and their required labels.

TABLE B - DATA CABLE PART NUMBERS

Table with columns: ITEM NO., TEKELEC P/N, RoHS TEKELEC P/N, QTY, LENGTH (FT), RUN LIST AND LABEL INFORMATION FOR FROM AND TO, LABEL REQUIRED. Lists various data cable specifications and their required labels.

TABLE C - 60 AMP POWER FEED CABLE CHART FOR -48VDC & 48VRTN CABLING COMPONENTS

Table with columns: DISTANCE, ITEM A (CABLE P/N, CABLE AWG, TERMINAL LUG P/N, HEAT SHRINK P/N), ITEM B (CABLE P/N, CABLE AWG), ITEM C (CABLE CONSTRUCTION), HALF TAP SPLICE P/N, HTAP SOFT COVER P/N, COMMENT, REF. DETAIL. Provides cable specifications for different distances.

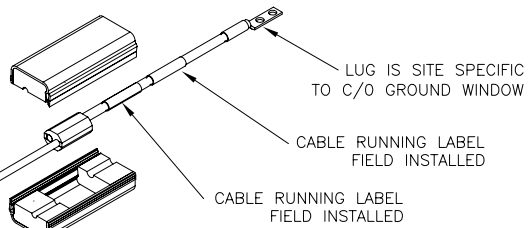
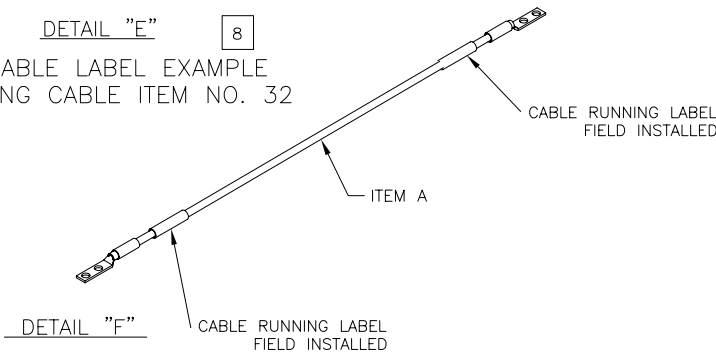
FROM SERVER 1A
SLOT 9 ETH 91
TO
SW YEL PORT 3X

FROM
SW YEL PORT 3X
TO SERVER 1A
SLOT 9 ETH 91

EXAMPLE OF TEXT
SHOWN IN TABLES

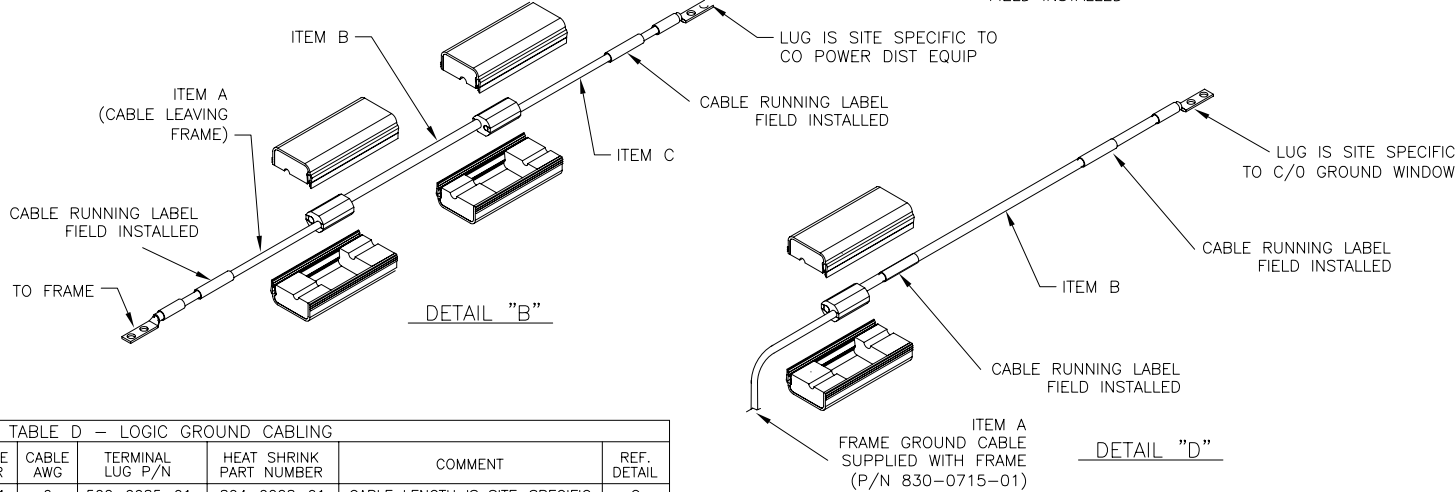
EXAMPLE WITH TEXT
REVERSED FROM FIRST LABEL

DETAIL "E"
CABLE LABEL EXAMPLE
USING CABLE ITEM NO. 32



DETAIL "A"

DETAIL "C"

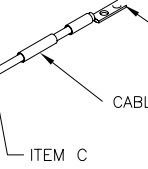


TO FRAME

ITEM B

ITEM A
(CABLE LEAVING
FRAME)

DETAIL "B"



DETAIL "D"

TABLE D - LOGIC GROUND CABLING. Table with columns: DISTANCE, PRIMARY CABLE PART NUMBER, CABLE AWG, TERMINAL LUG P/N, HEAT SHRINK PART NUMBER, COMMENT, REF. DETAIL.

TABLE F - SYSTEM FRAME GROUND CABLING. Table with columns: DISTANCE, CABLE P/N, CABLE AWG, ITEM A (830-0715-01 SUPPLIED WITH FRAME) (TERMINAL LUG P/N, HEAT SHRINK P/N), ITEM B (CABLE P/N, CABLE AWG), HTAP (A TO B CONNECT) (H TAP P/N), COMMENT, REF. DETAIL.

DWG NO. 892-0072-01 6 REV. F

C

B

A

THIS DOCUMENT AND THE DATA DISCLOSED HEREIN OR HEREWITH IS PROPRIETARY AND IS NOT TO BE REPRODUCED, USED OR DISCLOSED IN WHOLE OR PART TO ANYONE WITHOUT THE WRITTEN PERMISSION OF TEXEL. COPYRIGHT TEXEL. 2001.

Table with columns: SIZE (D), DIVISION (CSSG), DRAWING NO. (892-0072-01), REV. (F). Includes fields for SCALE, FILE NAME, and SHEET (6).

8 7 6 5 4 3 2 1

D

C

B

A

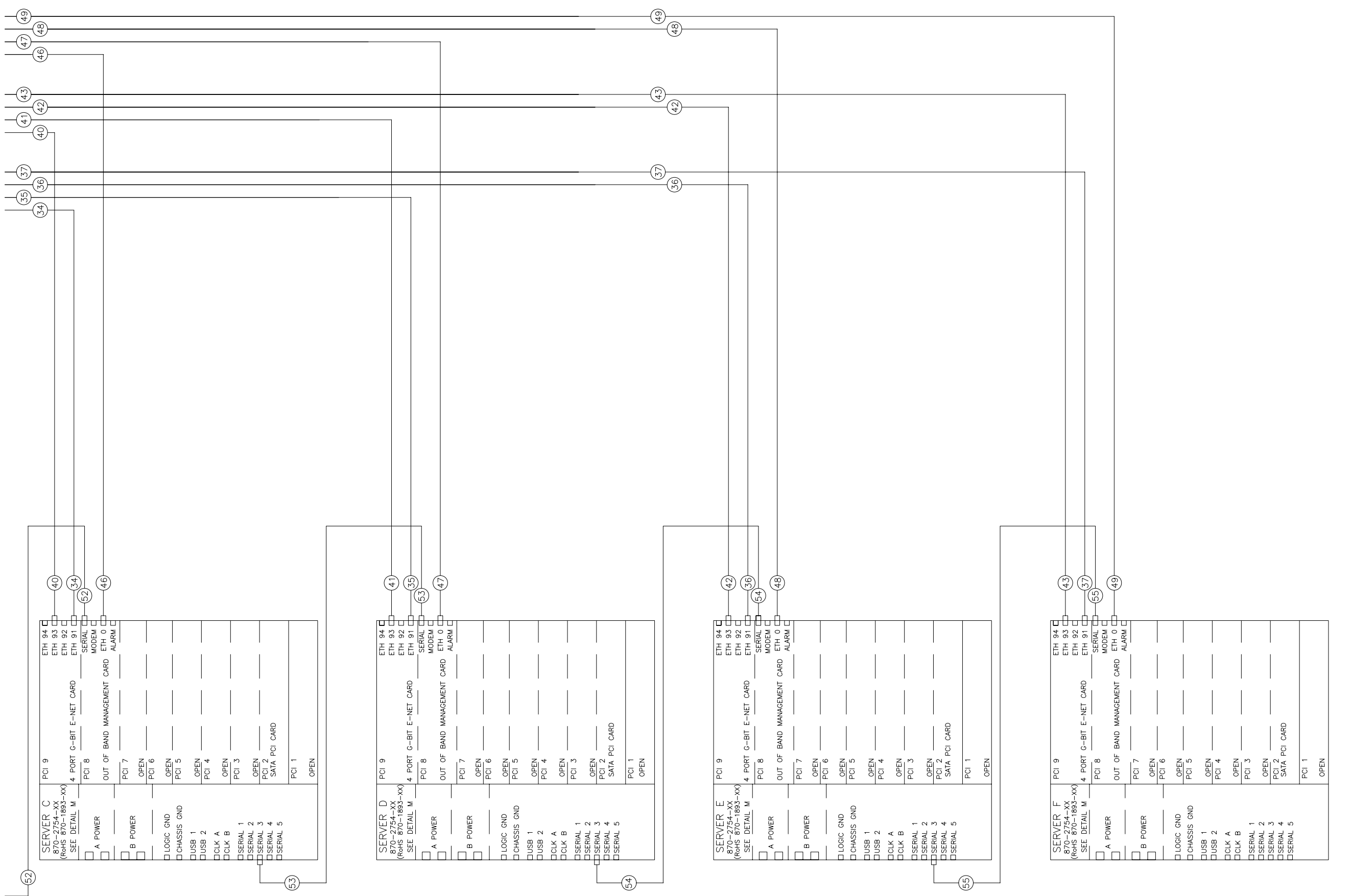
D

C

B

A

FORM NO. 892-0072-01 5 F



DATA CONNECTIONS AND CABLES

SIZE	DIVISION	DRAWING NO.	REV.
D	CSSG	892-0072-01	F
SCALE: NONE	FILE NAME:	SHEET 5	

D

C

B

A

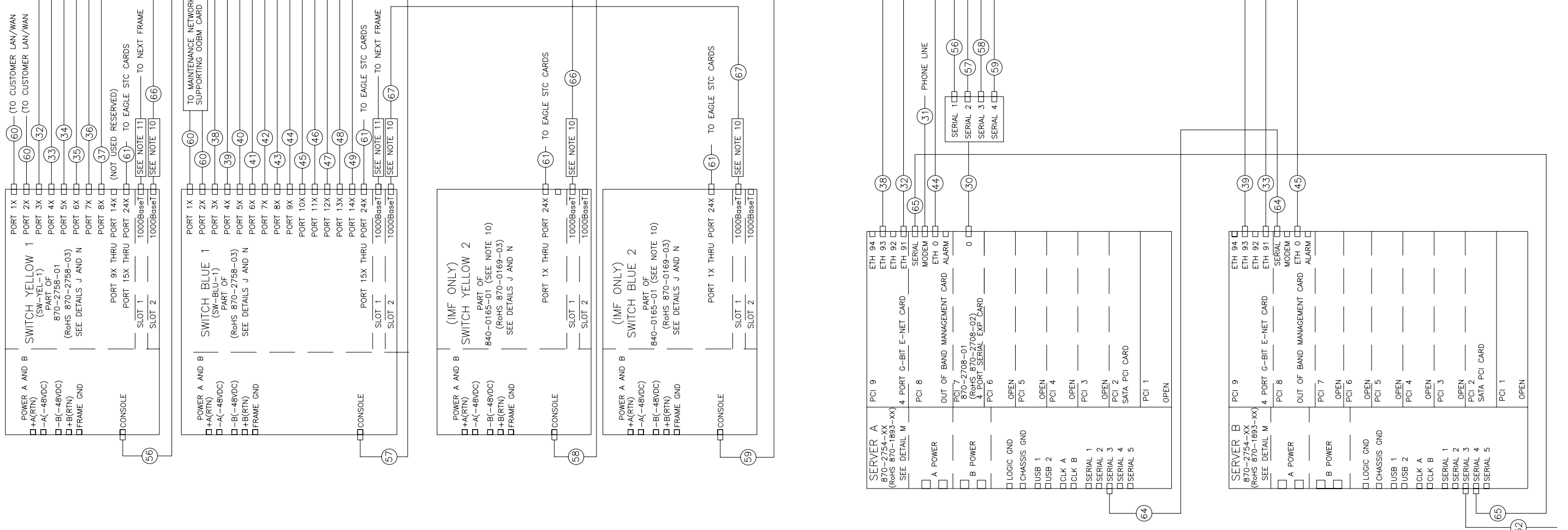
D

C

B

A

FORM NO. 892-0072-01 4 F REV

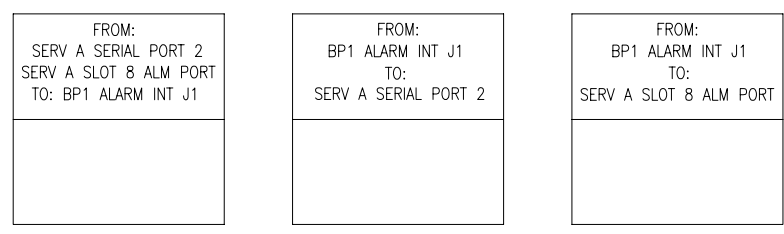


DATA CONNECTIONS AND CABLES

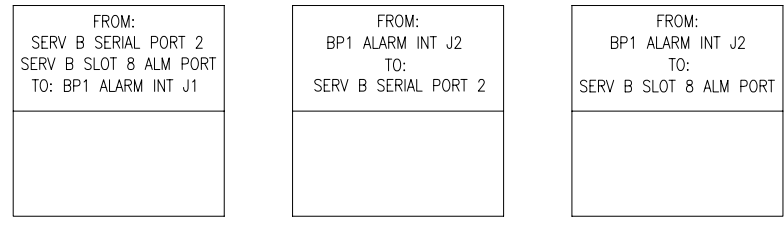
SIZE	DIVISION	DRAWING NO.	REV.
D	CSSG	892-0072-01	F
SCALE: NONE	FILE NAME:	SHEET 4	

THIS DOCUMENT AND THE DATA DISCLOSED HEREIN OR HEREWITH IS PROPRIETARY AND IS NOT TO BE REPRODUCED, USED OR DISCLOSED IN WHOLE OR PART TO ANYONE WITHOUT THE WRITTEN PERMISSION OF TEXELC. COPYRIGHT TEXELC. 2001.

- 1) INSTALL ALL CABLE ASSEMBLIES WITH DRESSED BEND RADII IN ACCORDANCE WITH TEKELEC CABLE BEND RADIUS SPECIFICATION 906-0020-01.
- 2) ALL INTERCONNECTION POINTS SHALL BE STRAIN RELIEVED BY POSITIVE MECHANICAL FEATURES OR FASTENERS FOR LENGTH CONFIGURATIONS.
- 3) THIS DIAGRAM AND ALL PART NUMBERS SHOWN ARE FOR REFERENCE ONLY. REFERENCE CABLE PART NUMBERS WITH XX FOR THE DASH NUMBER ARE LENGTHS THAT ARE SITE SPECIFIC.
- 4) NO ADDITIONS, DELETIONS, SUBSTITUTIONS OR MODIFICATIONS WITHOUT PRIOR WRITTEN TEKELEC APPROVAL.
- 5) SEE TEKELEC P/N 820-4844-01 FOR CURRENT LIST HARDWARE.
- 6) ALL POWER CABLES ARE CONNECTED WITH THE RED LEAD TO -48VDC TERMINAL AND THE BLACK LEAD TO RETURN TERMINAL.
- 7) -48 VDC, RTN, AND GND PRIMARY CABLING EXITING THE FRAME SHALL BE 6 AWG. SEE TABLES C, D, E, AND F FOR LENGTH CONFIGURATIONS.
- 8) USE LABEL PN 617-0009-01 TO MAKE LABEL SET FOR FROM AND TO ON CABLES AS INDICATED IN THE CABLE TABLES AND/OR THE APPLICATION TR. EACH CABLE INDICATED WILL REQUIRE A MIN OF 2 LABELS AS SHOWN IN DETAIL E. PERMANENTLY PRINT LABELS WITH .09 HIGH BLACK CHARACTERS. CENTER TEXT APPROXIMATELY AS SHOWN. MAX 23 CHARACTERS PER LINE. SEE DETAIL F FOR PLACEMENT OF LABELS ON CABLES.
- 9) THIS IS A CONFIGURABLE SYSTEM. THE SALES ORDER WILL SPECIFY THE PART NUMBERS AND QUANTITIES. THIS DIAGRAM SHOWS THE MAXIMUM CONFIGURATION.
- 10) (FROM SHEET 4) PART OF INTER FRAME EXPANSION SWITCH KIT 840-0169-04. (BASE FRAME ONLY HAS 2 SWITCHES). (SEE DIAGRAM "A")
- 11) (FROM SHEET 4) SECOND FRAME SWITCH LIT REQUIRES 840-0169-03 SECOND FRAME KIT. (SEE DIAGRAM "A").
- 12) USE 3 LABELS P/N 617-0009-01 TO LABEL CABLE ITEMS 20 AND 21. (SEE EXAMPLES BELOW).



EXAMPLE OF LABELS FOR ITEM 20



EXAMPLE OF LABELS FOR ITEM 21

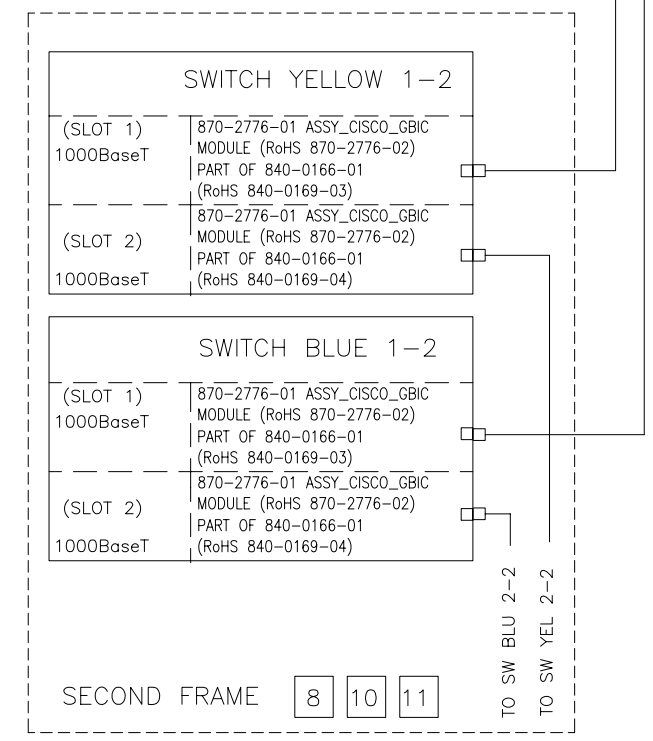
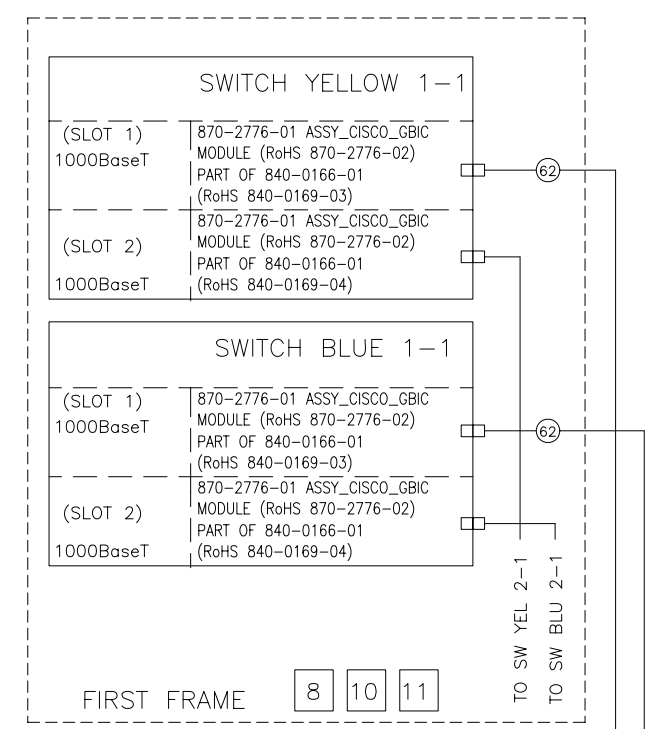
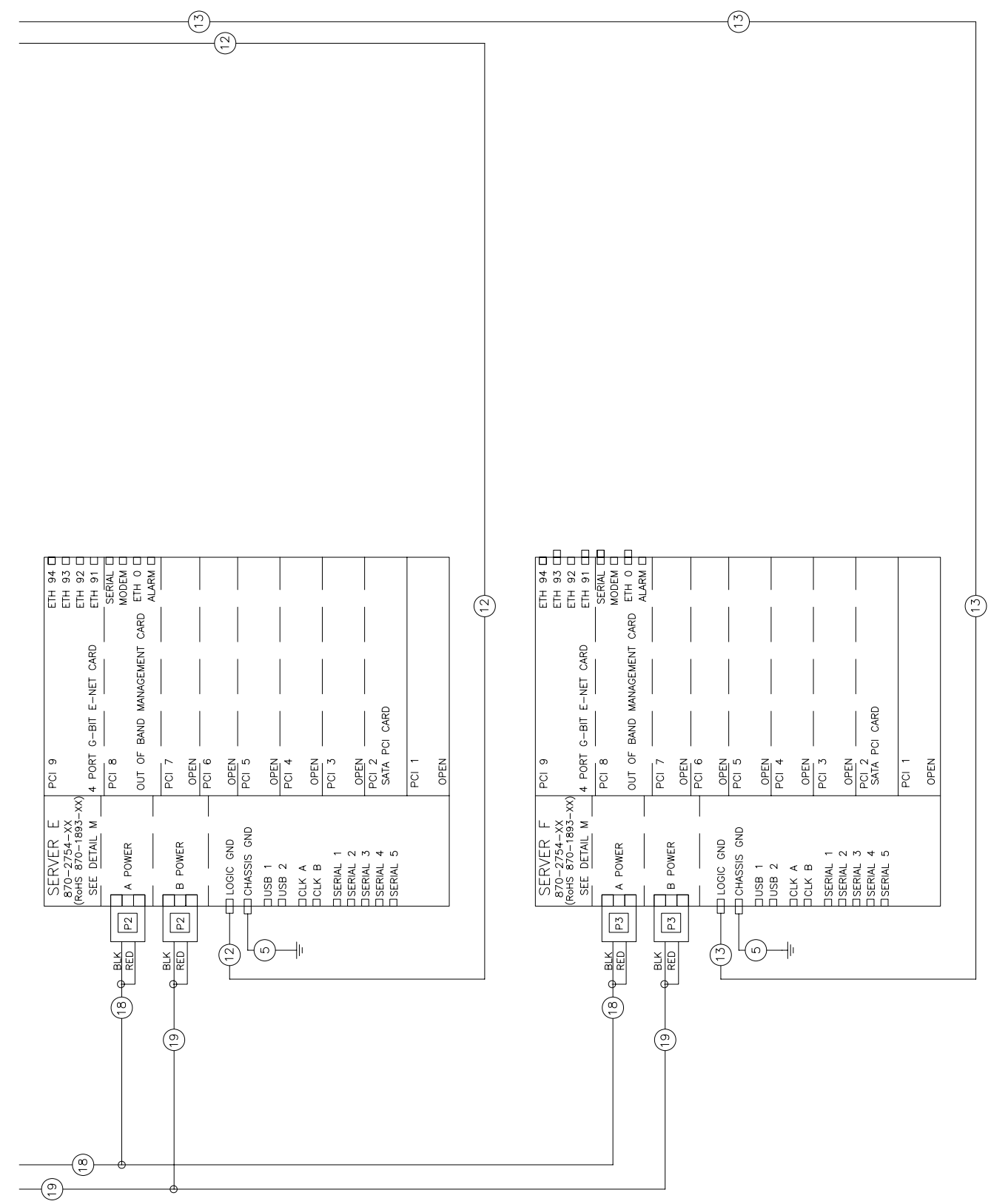
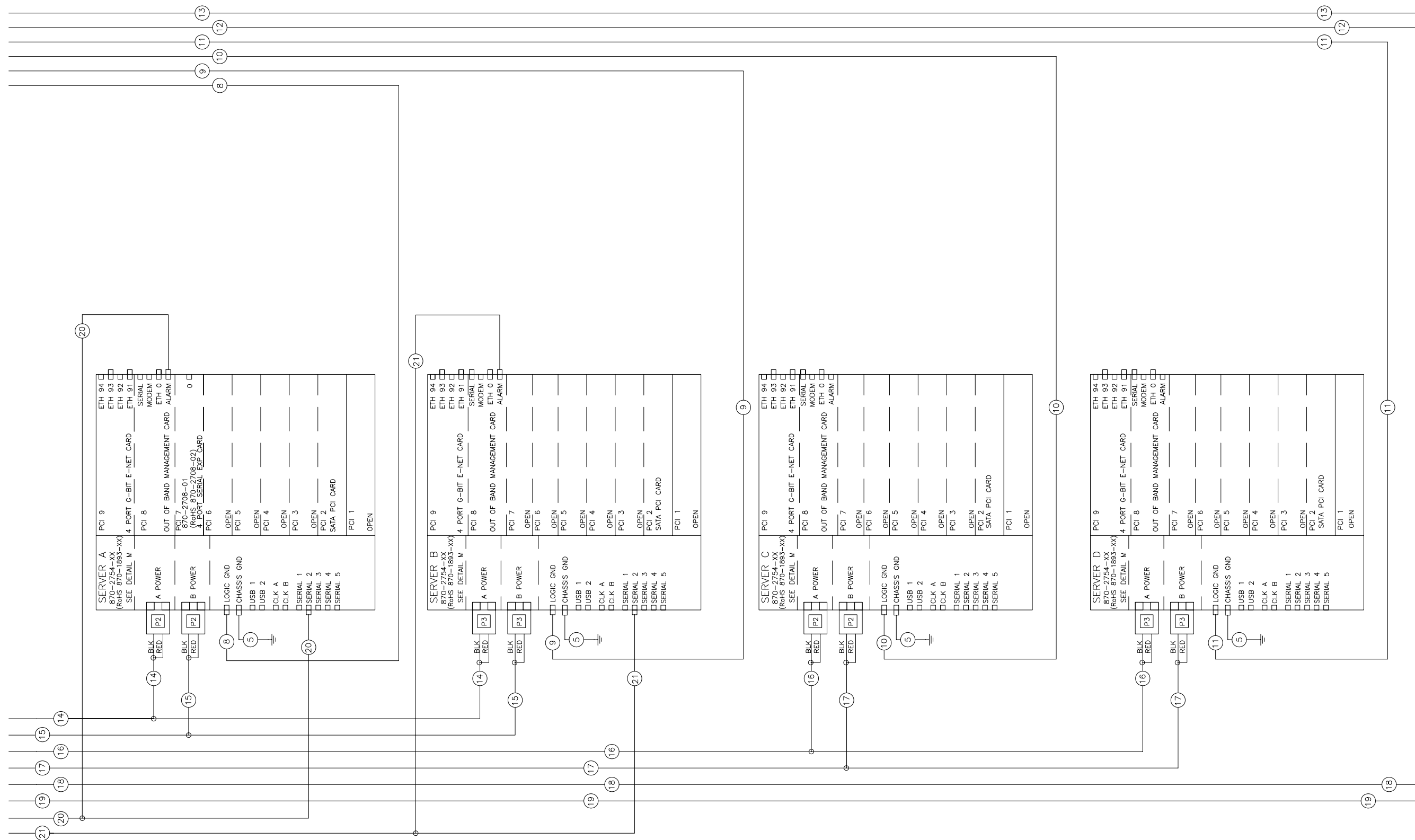


DIAGRAM "A"
IMF LINK INTERCONNECTION

POWER CONNECTIONS AND CABLES

SIZE	DIVISION	DRAWING NO.	REV.
D	CSSG	892-0072-01	F
SCALE: NONE	FILE NAME:	SHEET 3	

POWER CONNECTIONS AND CABLES

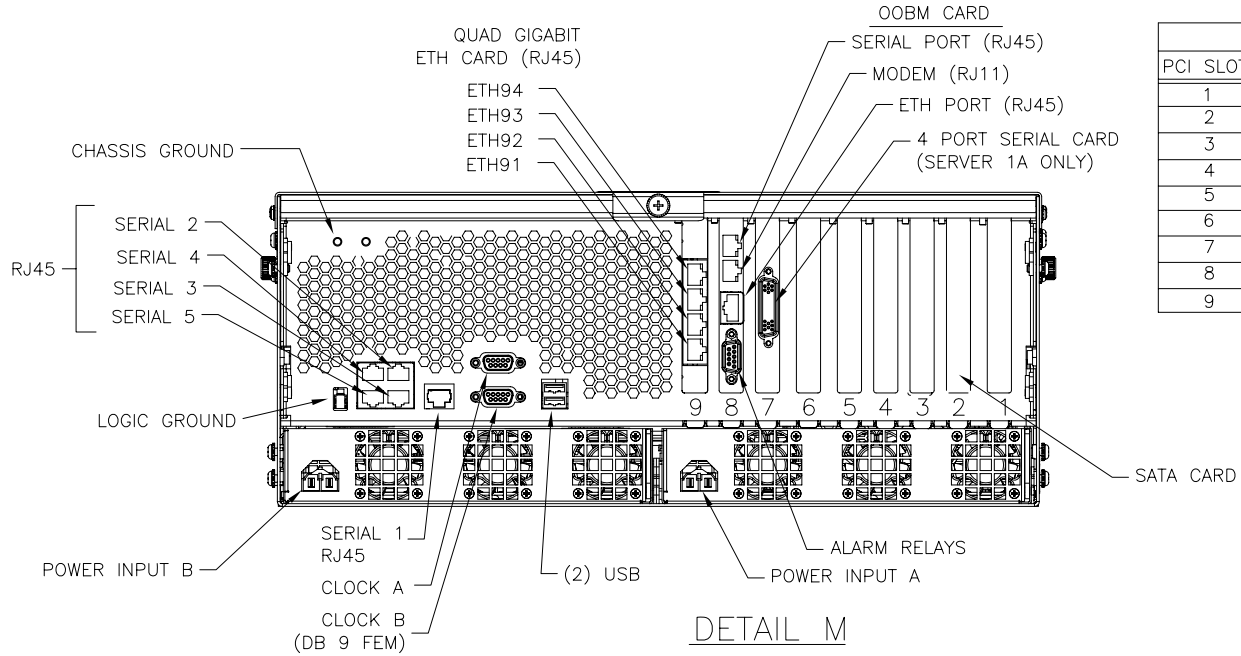


THIS DOCUMENT AND THE DATA DISCLOSED HEREIN OR HEREWITH IS PROPRIETARY AND IS NOT TO BE REPRODUCED, USED OR DISCLOSED IN WHOLE OR PART TO ANYONE WITHOUT THE WRITTEN PERMISSION OF TEXELC. COPYRIGHT TEXELC 2001.

SIZE	DIVISION	DRAWING NO.	REV.
D	CSSG	892-0072-01	F
SCALE: NONE	FILE NAME:	SHEET 2	

TABLE E - 30 AMP POWER FEED CABLE CHART FOR -48VDC & 48VRTN CABLING COMPONENTS

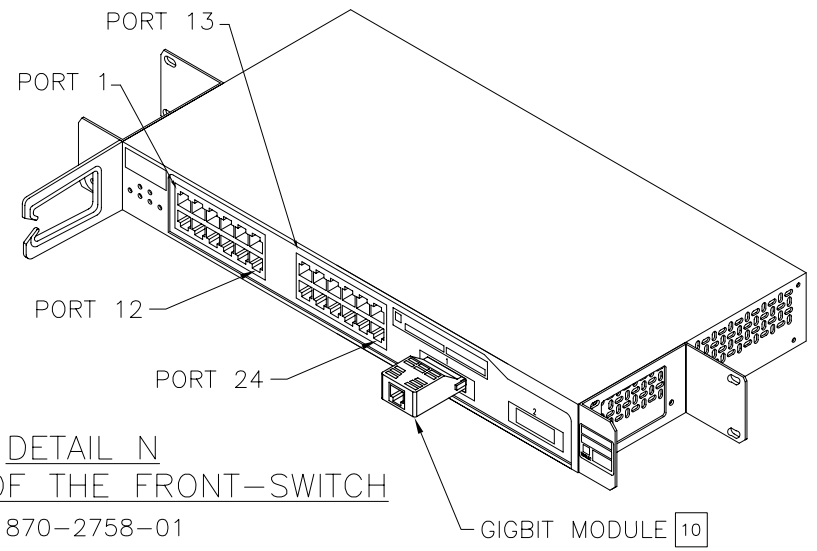
DISTANCE	ITEM A				ITEM B		ITEM C		HALF TAP SPLICE P/N	HTAP SOFT COVER P/N	COMMENT	REF. DETAIL
	CABLE P/N	CABLE AWG	TERMINAL LUG P/N	HEAT SHRINK P/N	CABLE P/N	CABLE AWG	CABLE CONSTRUCTION					
0' - 40'	690-0108-01 690-0108-R01	6	502-0085-01 502-0085-R01	804-0228-01 804-0228-R01	N/A	--	N/A		NONE REQUIRED	NONE REQUIRED	CABLE LENGTH IS SITE-SPECIFIC	C
40' - 65'	690-0108-01 690-0108-R01	6	502-0085-01 502-0085-R01	804-0228-01 804-0228-R01	690-0108-04 690-0108-R04	4	SITE SPECIFIC	T&B 63125	T&B HTC40	CABLE LENGTH IS SITE-SPECIFIC	B	
65' - 100'	690-0108-01 690-0108-R01	6	502-0085-01 502-0085-R01	804-0228-01 804-0228-R01	690-0108-06 690-0108-R06	2	SITE SPECIFIC	T&B 63125	T&B HTC40	CABLE LENGTH IS SITE-SPECIFIC, HTAPPED STUBS <= 10' EACH END	B	
100' - 160'	690-0108-01 690-0108-R01	6	502-0085-01 502-0085-R01	804-0228-01 804-0228-R01	690-0108-03 690-0108-R03	1/0	SITE SPECIFIC	T&B 63125	T&B HTC40	CABLE LENGTH IS SITE-SPECIFIC, HTAPPED STUBS <= 10' EACH END	B	



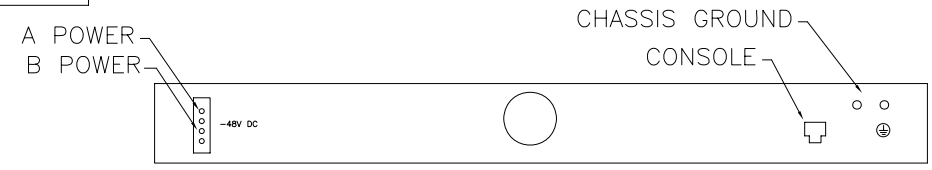
SERVER (REAR VIEW) 870-2754-XX W/ PCI CARDS:
(RoHS 870-1893-XX)

TABLE H

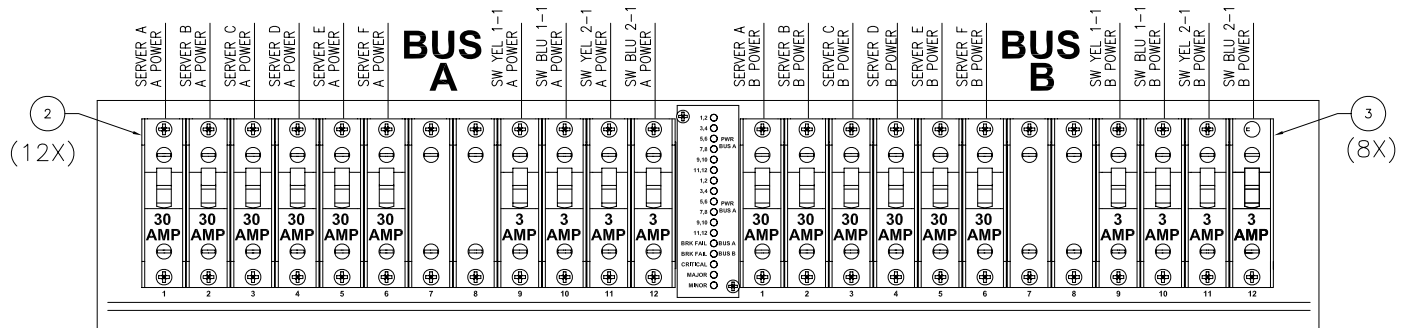
PCI SLOT	BIT	MHZ	CARD
1	64	133	PROBE (SEE DETAIL P)
2	64	66	SATA
3	64	66	PROBE (SEE DETAIL P)
4	64	66	PROBE (SEE DETAIL P)
5	64	66	PROBE (SEE DETAIL P)
6	64	66	PROBE (SEE DETAIL P)
7	32	33	4 PORT SERIAL (SERVER A ONLY)
8	32	33	OOBM
9	8	1000	4 PORT ETHERNET



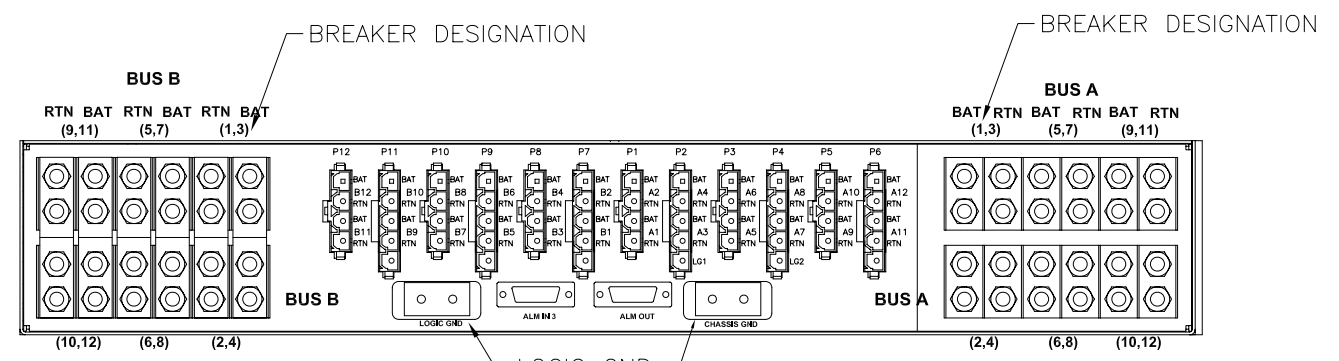
DETAIL N
ISO VIEW OF THE FRONT-SWITCH
870-2758-01



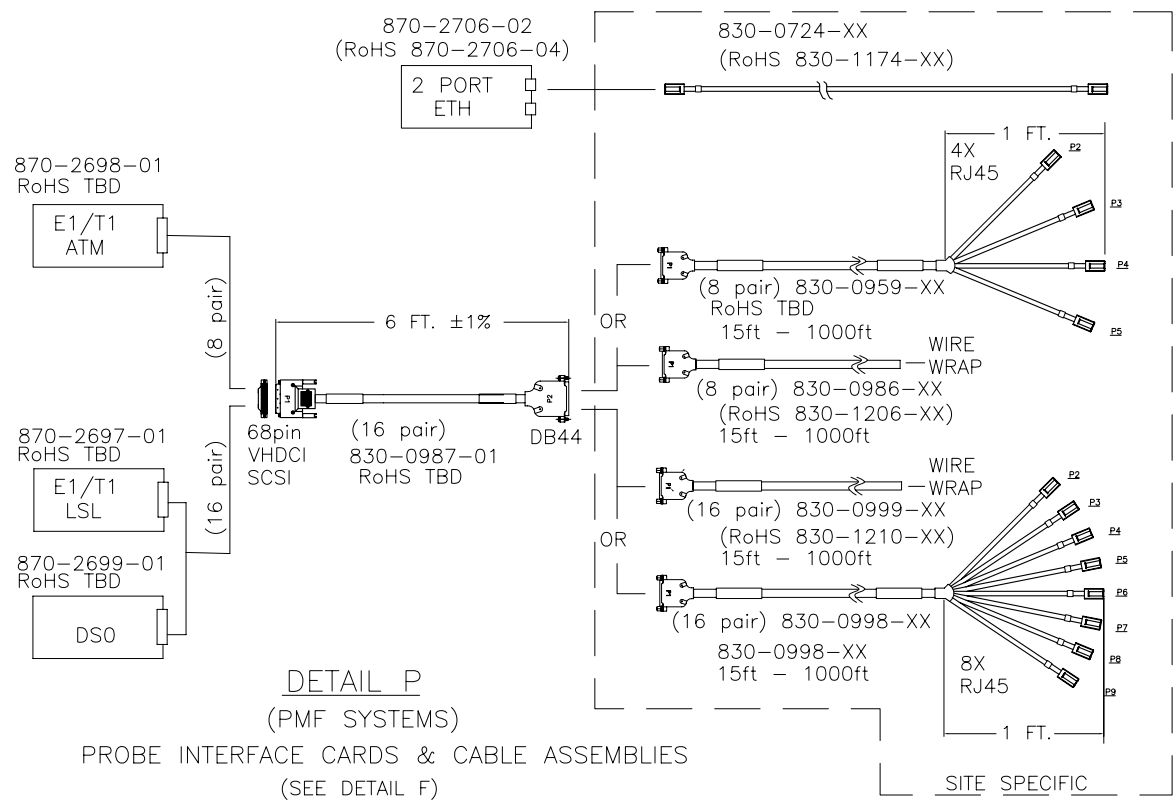
DETAIL J
REAR VIEW-SWITCH



DETAIL H - FRONT VIEW-CIRCUIT BREAKER



DETAIL K-REAR VIEW - CIRCUIT BREAKER



DETAIL P
(PMF SYSTEMS)
PROBE INTERFACE CARDS & CABLE ASSEMBLIES
(SEE DETAIL F)

SIZE	DIVISION	DRAWING NO.	REV.
D	CSSG	892-0072-01	F
SCALE: NONE	FILE NAME:	SHEET 7	