

4

3

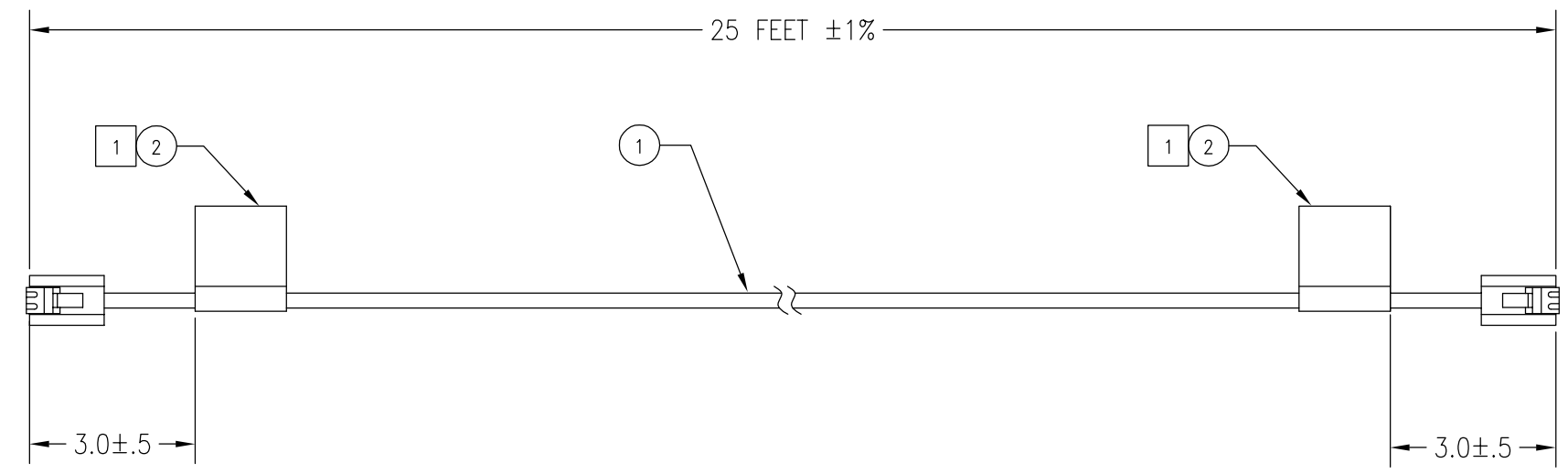
2

1

NOTES: UNLESS OTHERWISE SPECIFIED

REVISIONS			
LTR	DESCRIPTION	DATE	APPROVED
A	RELEASE PER ECN #7621	9/29/98	HICKAM

- 1 MARK - PERMANENTLY MARK CABLE LABEL(S) ITEM 2 WITH TEKELEC PART NUMBER INCLUDING DASH NUMBER AND REVISION LEVEL. LOCATE APPROXIMATELY AS SHOWN.
- 2) NO ADDITIONS, DELETIONS, MODIFICATIONS OR SUBSTITUTIONS WITHOUT PRIOR WRITTEN TEKELEC APPROVAL.



CABLE ASSEMBLY  
SCALE: NONE

DOCUMENT CONTROL  
PRODUCTION RELEASED

ALTERED ITEM DWG  
SEE SEPARATE PARTS LIST

DWG NO  
830-0680-01  
SH  
1  
REV  
A

THIS DOCUMENT AND THE DATA DISCLOSED HEREIN OR HEREWITH IS PROPRIETARY AND IS NOT TO BE REPRODUCED, USED OR DISCLOSED IN WHOLE OR PART TO ANYONE WITHOUT THE WRITTEN PERMISSION OF TEKELEC. COPYRIGHT, TEKELEC 1996.

UNLESS OTHERWISE SPECIFIED.  
DO NOT SCALE DRAWING.  
DIMENSIONS ARE IN INCHES.  
INTERPRET DIMENSIONS IN ACCORDANCE WITH  
ANSI Y14.5M-82.  
DEBURR AND BREAK SHARP EDGES .005-.015.  
MACHINED SURFACE FINISH  $\sqrt{125}$   
TOLERANCES: .XX = ± .03 .XXX = ±010

STANDARD HOLE TOLERANCES:	
HOLE DIA	TOLERANCES
.013 THRU .125	+ .004 - .001
.126 THRU .250	+ .005 - .001
.251 THRU .500	+ .006 - .001
.501 THRU .750	+ .008 - .001
.751 THRU 1.000	+ .010 - .001
1.001 THRU 2.000	+ .012 - .001

CONTRACT NO.	
APPROVALS	DATE
DRAWN M. BRYAN	9/14/98
CHECKED C. LAMBIOTTE	9/21/98
APPROVED J. HICKAM	9/21/98
APPROVED	
APPLICATION	
870-1070-01	AUH KIT
NEXT ASSY	USED ON
FINISH	
MATERIAL	

**TEKELEC** 26580 W. Agoura Road,  
Calabasas, California 91302

CABLE ASSY, MODULAR,  
RJ11 TO RJ11, EXT  
CORD, 25 FT, NTW

SIZE	CAGE CODE	DRAWING NO.	REV.
C		830-0680-01	A
SCALE: NONE		FILE NAME: 830-0680-01_REV_1.DWG	SHEET 1 OF 1

4

3

2

1

D

D

C

C

B

A

A