

4

3

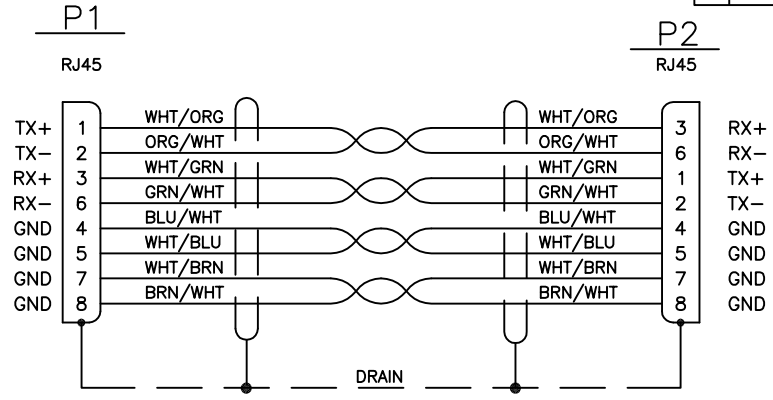
2

1

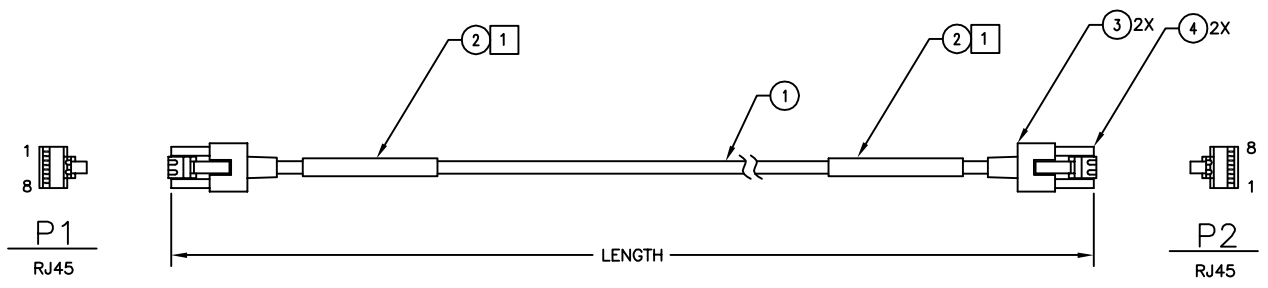
NOTES: UNLESS OTHERWISE SPECIFIED

- 1) MARK - PERMANENTLY MARK CABLE LABEL(S) WITH TEKELEC PART NUMBER INCLUDING APPLICABLE DASH NUMBER AND REVISION LEVEL. LOCATE APPROXIMATELY AS SHOWN.
- 2) NO ADDITIONS, DELETIONS, MODIFICATIONS OR SUBSTITUTIONS WITHOUT PRIOR WRITTEN TEKELEC APPROVAL.
- 3) TABULATION - REFER TO TABULATION BLOCK FOR DETAILS PERTAINING TO EACH INDIVIDUAL DASH NUMBER.

REVISIONS			
LTR	DESCRIPTION	DATE	APPROVED
A	REVISED PER ECN #9766	-	J. HICKAM
B	REVISED PER ECN #11921	5/30/02	M. BRYAN
C	REVISED PER ECN #12209	XXXXXX	M. BRYAN
D	REVISED PER ECN #12224	XXXXXX	M. BRYAN



WIRING DIAGRAM (REF)



CABLE ASSEMBLY

SEE TABULATION BLOCK PAGE 2  
ALTERED ITEM DRAWING  
SEE SEPARATE PARTS LIST

DOCUMENT CONTROL  
PRODUCTION RELEASED

THIS DOCUMENT AND THE DATA DISCLOSED HEREIN OR HEREWITH IS PROPRIETARY AND IS NOT TO BE REPRODUCED, USED OR DISCLOSED IN WHOLE OR PART TO ANYONE WITHOUT THE WRITTEN PERMISSION OF TEKELEC. COPYRIGHT, TEKELEC 1996.

UNLESS OTHERWISE SPECIFIED, DO NOT SCALE DRAWING. DIMENSIONS ARE IN INCHES. INTERPRET DIMENSIONS IN ACCORDANCE WITH ANSI Y14.5M-92. DEBURR AND BREAK SHARP EDGES .005-.015. MACHINED SURFACE FINISH $\frac{125}{100}$ . TOLERANCES: .005- & .03 $\frac{125}{100}$ .010	
STANDARD HOLE TOLERANCES:	
HOLE DIA	TOLERANCES
.013 THRU .125	+ .004 - .001
.126 THRU .250	+ .005 - .001
.251 THRU .500	+ .006 - .001
.501 THRU .750	+ .008 - .001
.751 THRU 1.000	+ .010 - .001
1.001 THRU 2.000	+ .012 - .001

CONTRACT NO.	
APPROVALS	DATE
DRAWN J. MYERS	2/5/99
CHECKED C. Lambiotte	3/17/99
APPROVED J. HICKAM	3/22/99
APPROVED -	-
MATERIAL	

NEXT ASSY	USED ON
APPLICATION	
FINISH	

**TEKELEC** 26580 W. Agoura Road, Calabasas, California 91302

CABLE ASSY, CAT 5, RJ45/RJ45, XXFT, SHIELDED, 100 OHM, CROSSOVER, NTW

SIZE	CAGE CODE	DRAWING NO.	REV.
C		830-0723-XX	D

SCALE: NONE FILE NAME: 830-0723-XX\_REV\_D.dwg SHEET 1 OF 2

DWG NO. 830-0723-XX 1 D

4

3

2

1

4

3

2

1

REVISIONS			
LTR	DESCRIPTION	DATE	APPROVED

D

D

C

C

B

A

A

TABULATION BLOCK			TABULATION BLOCK			TABULATION BLOCK		
PART NO.	LENGTH (FT)	REVISION LEVEL	PART NO.	LENGTH (FT)	REVISION LEVEL	PART NO.	LENGTH (FT)	REVISION LEVEL
830-0723-01	(1.0)	B	830-0723-32	(150.0)	A	830-0723-63	(8.0)	A
830-0723-02	(3.0)	B	830-0723-33	(155.0)	A	830-0723-64	(7.0)	A
830-0723-03	(4.5)	C	830-0723-34	(160.0)	A	830-0723-65	(6.0)	A
830-0723-04	(10.0)	A	830-0723-35	(165.0)	A			
830-0723-05	(15.0)	A	830-0723-36	(170.0)	A			
830-0723-06	(20.0)	A	830-0723-37	(175.0)	A			
830-0723-07	(25.0)	A	830-0723-38	(180.0)	A			
830-0723-08	(30.0)	A	830-0723-39	(185.0)	A			
830-0723-09	(35.0)	A	830-0723-40	(190.0)	A			
830-0723-10	(40.0)	A	830-0723-41	(195.0)	A			
830-0723-11	(45.0)	A	830-0723-42	(200.0)	A			
830-0723-12	(50.0)	A	830-0723-43	(205.0)	A			
830-0723-13	(55.0)	A	830-0723-44	(210.0)	A			
830-0723-14	(60.0)	A	830-0723-45	(215.0)	A			
830-0723-15	(65.0)	A	830-0723-46	(220.0)	A			
830-0723-16	(70.0)	A	830-0723-47	(225.0)	A			
830-0723-17	(75.0)	A	830-0723-48	(230.0)	A			
830-0723-18	(80.0)	A	830-0723-49	(235.0)	A			
830-0723-19	(85.0)	A	830-0723-50	(240.0)	A			
830-0723-20	(90.0)	A	830-0723-51	(245.0)	A			
830-0723-21	(95.0)	A	830-0723-52	(250.0)	A			
830-0723-22	(100.0)	A	830-0723-53	(255.0)	A			
830-0723-23	(105.0)	A	830-0723-54	(260.0)	A			
830-0723-24	(110.0)	A	830-0723-55	(265.0)	A			
830-0723-25	(115.0)	A	830-0723-56	(270.0)	A			
830-0723-26	(120.0)	A	830-0723-57	(275.0)	A			
830-0723-27	(125.0)	A	830-0723-58	(280.0)	A			
830-0723-28	(130.0)	A	830-0723-59	(285.0)	A			
830-0723-29	(135.0)	A	830-0723-60	(290.0)	A			
830-0723-30	(140.0)	A	830-0723-61	(295.0)	A			
830-0723-31	(145.0)	A	830-0723-62	(300.0)	A			

DWG NO. 830-0723-XX 2 OF 2

THIS DOCUMENT AND THE DATA DISCLOSED HEREIN OR HEREWITH IS PROPRIETARY AND IS NOT TO BE REPRODUCED, USED OR DISCLOSED IN WHOLE OR PART TO ANYONE WITHOUT THE WRITTEN PERMISSION OF TEKELEC. COPYRIGHT, TEKELEC, 1996.

SIZE	CAGE CODE	DRAWING NO.	REV.
C		830-0723-XX	D
SCALE: NONE		FILE NAME: 830-0723-XX_REV_D.DWG	SHEET 2 OF 2

4

3

2

1