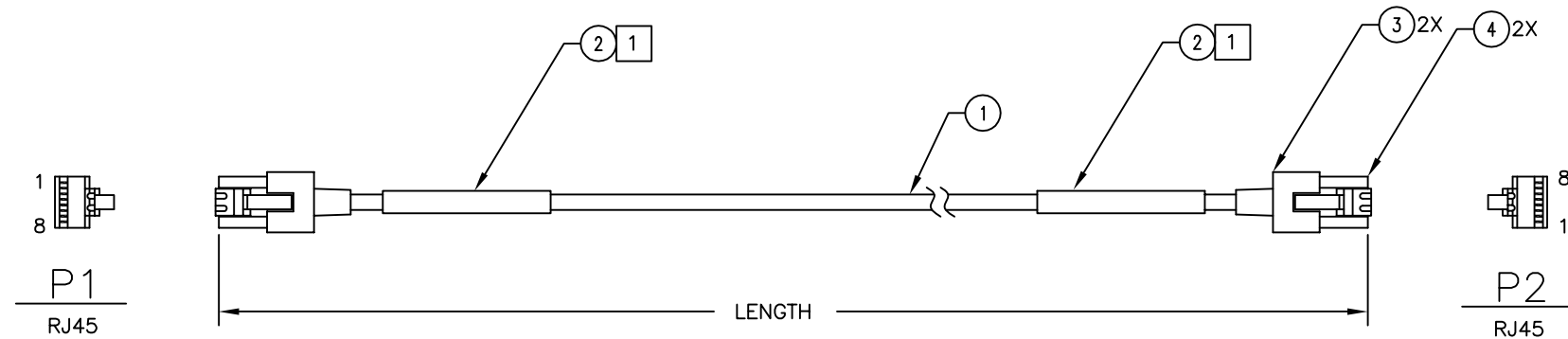
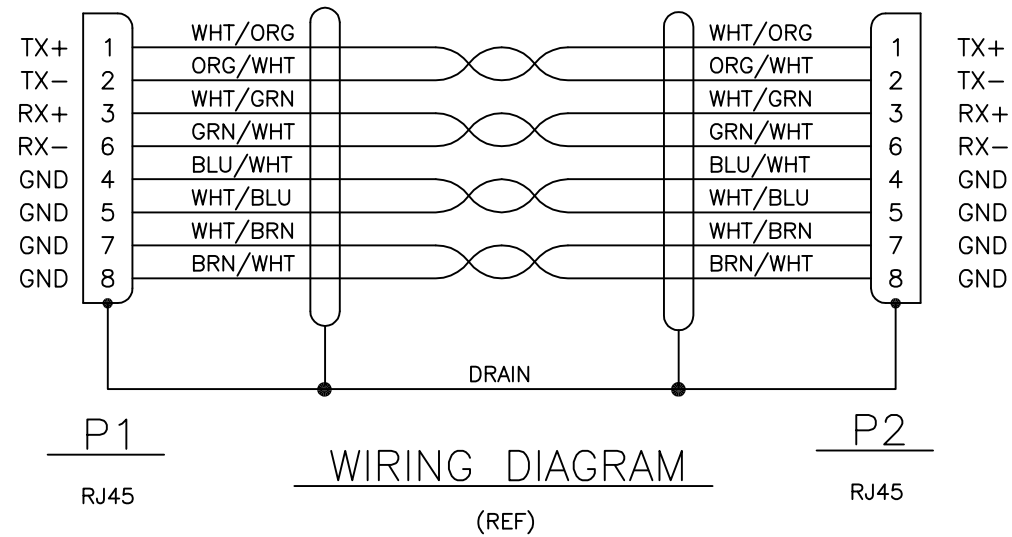


NOTES: UNLESS OTHERWISE SPECIFIED

- 1) MARK - PERMANENTLY MARK CABLE LABEL(S) WITH TEKELEC PART NUMBER INCLUDING APPLICABLE DASH NUMBER AND REVISION LEVEL. LOCATE APPROXIMATELY AS SHOWN.
- 2) NO ADDITIONS, DELETIONS, MODIFICATIONS OR SUBSTITUTIONS WITHOUT PRIOR WRITTEN TEKELEC APPROVAL.
- 3) TABULATION - REFER TO TABULATION BLOCK FOR DETAILS PERTAINING TO EACH INDIVIDUAL DASH NUMBER.

REVISIONS			
LTR	DESCRIPTION	DATE	APPROVED
A	REVISED PER ECN #9766	5/24/00	J. HICKAM
B	REVISED PER ECN #10806	6/8/01	J. HICKAM
C	REVISED PER ECN #10956	6/20/01	M. BRYAN
D	REVISED PER ECN #11956	4/30/02	M. BRYAN
E	REVISED PER ECN #12209	8/28/02	M. BRYAN
F	REVISED PER ECN #12209A	09/12/02	M. BRYAN
G	Continued on sheet 2		



SEE TABULATION BLOCK PAGE 2
ALTERED ITEM DRAWING
SEE SEPARATE PARTS LIST

**DOCUMENT CONTROL
PRODUCTION RELEASED**

UNLESS OTHERWISE SPECIFIED,
DO NOT SCALE DRAWING.
DIMENSIONS ARE IN INCHES.
INTERPRET DIMENSIONS IN ACCORDANCE WITH
ANSI Y14.5M-82.
DEBURR AND BREAK SHARP EDGES .005-.015.
MACHINED SURFACE FINISH 125μ
TOLERANCES: .XX = ± .03 .XXX = ±0.10

STANDARD HOLE TOLERANCES:	
HOLE DIA	TOLERANCES
.013 THRU .125	+ .004 - .001
.126 THRU .250	+ .005 - .001
.251 THRU .500	+ .006 - .001
.501 THRU .750	+ .008 - .001
.751 THRU 1.000	+ .010 - .001
1.001 THRU 2.000	+ .012 - .001

THIS DOCUMENT AND THE DATA DISCLOSED HEREIN OR HEREWITH IS PROPRIETARY AND IS NOT TO BE REPRODUCED, USED OR DISCLOSED IN WHOLE OR PART TO ANYONE WITHOUT THE WRITTEN PERMISSION OF TEKELEC. COPYRIGHT, TEKELEC 1996.

CONTRACT NO.	
APPROVALS	DATE
DRAWN J. MYERS	2/5/99
CHECKED C. LAMBIOTTE	3/17/99
APPROVED J. HICKAM	3/22/99
APPROVED -	-
MATERIAL	
NEXT ASSY	USED ON
APPLICATION	
FINISH	

		26580 W. Agoura Road, Calabasas, California 91302	
CABLE ASSY 100 OHM CAT 5 STRAIGHT THRU XX FT RJ45/RJ45 SHIELDED			
SIZE	CAGE CODE	DRAWING NO.	REV.
C		830-0724-XX	H
SCALE: NONE	FILE NAME: 830-0724-XX.DWG	SHEET 1	OF 2

DWG NO 830-0724-XX
SH 1
REV H

4

3

2

1

TABULATION BLOCK		
PART NO.	LENGTH (FT)	REVISION LEVEL
830-0724-01	(5.0)	E
830-0724-02	(10.0)	E
830-0724-03	(15.0)	E
830-0724-04	(25.0)	E
830-0724-05	(1.0)	E
830-0724-06	(6.0)	E
830-0724-07	(7.0)	E
830-0724-08	(1.6)	E
830-0724-09	(50.0)	E
830-0724-10	(100.0)	E
830-0724-11	(30.0)	A
830-0724-12	(35.0)	A
830-0724-13	(40.0)	A
830-0724-14	(45.0)	A
830-0724-15	(55.0)	A
830-0724-16	(60.0)	A
830-0724-17	(65.0)	A
830-0724-18	(70.0)	A
830-0724-19	(75.0)	A
830-0724-20	(80.0)	A
830-0724-21	(85.0)	A
830-0724-22	(90.0)	A
830-0724-23	(95.0)	A
830-0724-24	(105.0)	A
830-0724-25	(110.0)	A
830-0724-26	(115.0)	A
830-0724-27	(120.0)	A
830-0724-28	(125.0)	A
830-0724-29	(130.0)	A
830-0724-30	(135.0)	A
830-0724-31	(140.0)	A
830-0724-32	(145.0)	A
830-0724-33	(150.0)	A

TABULATION BLOCK		
PART NO.	LENGTH (FT)	REVISION LEVEL
830-0724-34	(155.0)	A
830-0724-35	(160.0)	A
830-0724-36	(165.0)	A
830-0724-37	(170.0)	A
830-0724-38	(175.0)	A
830-0724-39	(180.0)	A
830-0724-40	(185.0)	A
830-0724-41	(190.0)	A
830-0724-42	(195.0)	A
830-0724-43	(200.0)	A
830-0724-44	(205.0)	A
830-0724-45	(210.0)	A
830-0724-46	(215.0)	A
830-0724-47	(220.0)	A
830-0724-48	(225.0)	A
830-0724-49	(230.0)	A
830-0724-50	(235.0)	A
830-0724-51	(240.0)	A
830-0724-52	(245.0)	A
830-0724-53	(250.0)	A
830-0724-54	(255.0)	A
830-0724-55	(260.0)	A
830-0724-56	(265.0)	A
830-0724-57	(270.0)	A
830-0724-58	(275.0)	A
830-0724-59	(280.0)	A
830-0724-60	(285.0)	A
830-0724-61	(290.0)	A
830-0724-62	(295.0)	A
830-0724-63	(300.0)	A
830-0724-64	(20.0)	A

REVISIONS			
LTR	DESCRIPTION	DATE	APPROVED
G	REVISED PER ECN #12224	11/08/02	M. BRYAN
H	REVISED PER ECN #12562	02/03/03	C. MATHEWS

TABULATION BLOCK		
PART NO.	LENGTH (FT)	REVISION LEVEL
830-0724-65	(3.0)	E
830-0724-66	(4.0)	A
830-0724-67	(8.0)	A

D

D

C

C

B

B

A

A

DWG NO. 830-0724-XX
 SH. 2
 REV. H

THIS DOCUMENT AND THE DATA DISCLOSED HEREIN OR HEREWITH IS PROPRIETARY AND IS NOT TO BE REPRODUCED, USED OR DISCLOSED IN WHOLE OR PART TO ANYONE WITHOUT THE WRITTEN PERMISSION OF TEKELEC. COPYRIGHT, TEKELEC 1996.

SIZE C	CAGE CODE	DRAWING NO. 830-0724-XX	REV. H
SCALE: NONE		FILE NAME: 830-0724-XX.DWG	SHEET 2 OF 2

4

3

2

1