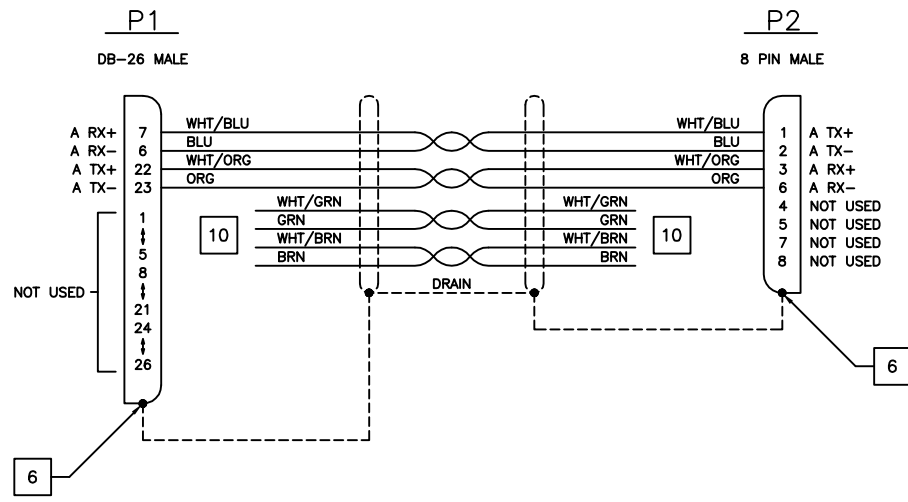


NOTES: UNLESS OTHERWISE SPECIFIED

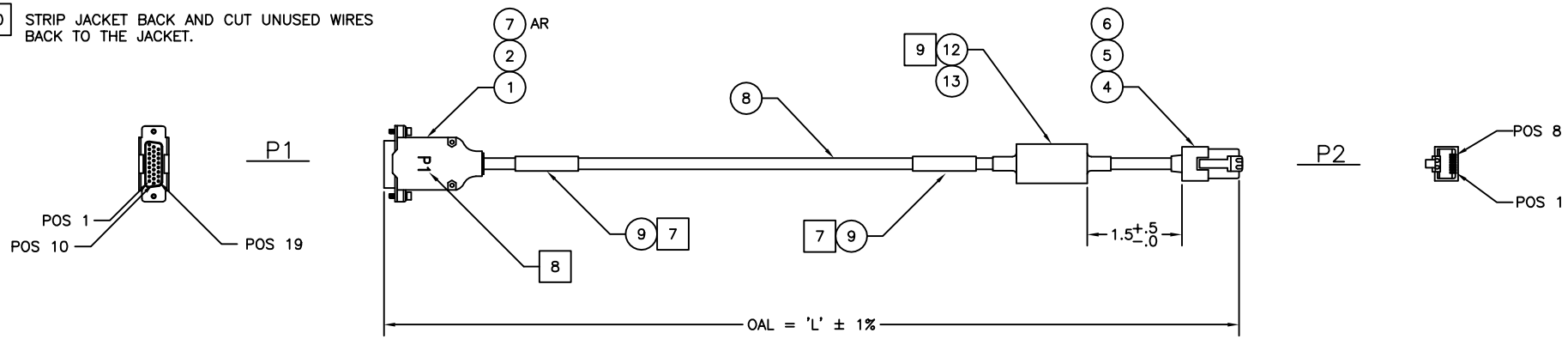
- 1) NO ADDITIONS, DELETIONS, MODIFICATIONS OR SUBSTITUTIONS WITHOUT PRIOR WRITTEN TEKELEC APPROVAL.
- 2) THIS PART HAS BEEN DESIGNED IN ACCORDANCE WITH TEKELEC SPECIFICATION 906-0015-01 "SPECIFICATION, DESIGN, CABLE ASSEMBLIES, NSD".
- 3) THIS PART SHALL BE FABRICATED IN ACCORDANCE WITH TEKELEC SPECIFICATION 906-0016-01 "SPECIFICATION, FABRICATION CABLE, NSD".
- 4) TABULATION - REFER TO THE TABULATION BLOCK FOR DETAILS PERTAINING TO EACH INDIVIDUAL DASH NUMBER.
- 5) ASSEMBLY - PER CONNECTOR MANUFACTURER'S SPECIFICATION (AMP IS-6609, IS-9193, 114-6053 OR EQUIVALENT)
- 6) DO NOT SOLDER SHIELDED CABLE DRAIN (GROUNDING) WIRE TO CABLE BACKSHELL(S). BACKSHELL(S) SHALL BE GROUNDED BY TERMINATION OF THE DRAIN (GROUNDING) WIRE IN ACCORDANCE WITH MANUFACTURER'S ASSEMBLY SPECIFICATIONS.
- 7) MARK - PERMANENTLY MARK CABLE LABEL(S) ITEM 9 WITH TEKELEC PART NUMBER INCLUDING APPLICABLE DASH NUMBER AND REVISION LEVEL, P1 OR P2 ETC., VENDOR NAME AND DATE OF MANUFACTURE. LOCATE APPROXIMATELY AS SHOWN.
- 8) MARK - PERMANENTLY MARK WITH P1 AS SHOWN WITH BLACK CHARACTERS. SIZE AND LOCATION APPROXIMATELY AS SHOWN.
- 9) INSTALL FERRITE AND PROTECTIVE SHRINK WRAP AS SHOWN.
- 10) STRIP JACKET BACK AND CUT UNUSED WIRES BACK TO THE JACKET.

REVISIONS			
LTR	DESCRIPTION	DATE	APPROVED
A	REVISE PER ECN #9260	11/11/99	J. HICKAM
B	REVISE PER ECO #13019	9/8/03	D. GRIFFITH
C	REVISE PER ECO #13893	09/20/04	M. BRYAN



WIRING DIAGRAM

TABULATION BLOCK		
DASH NUMBER	LENGTH 'L' (FT)	REVISION LEVEL
-01	15	C
-02	25	C
-03	35	C
-04	50	C
-05	75	C
-06	100	C
-07	150	C
-08	200	C
-09	250	C
-10	328	C



ASSEMBLY DIAGRAM

SEE SEPARATE PARTS LIST

<small>UNLESS OTHERWISE SPECIFIED: DO NOT SCALE DRAWING. DIMENSIONS ARE IN INCHES. DIMENSIONS IN PARENTHESES ARE IN MILLIMETERS. SURFACE FINISH: UNLESS OTHERWISE SPECIFIED, ALL DIMENSIONS ARE TO BE TO THE UNFINISHED SURFACE. TOLERANCES: .000" - .010" .000" - .010"</small>		CONTRACT NO.		26580 W. Agoura Road, Calabasas, California 91302	
STANDARD HOLE TOLERANCES: HOLE DIA. TOLERANCES: .013 THRU .125 +.004 .128 THRU .250 +.003 .251 THRU .500 +.002 .501 THRU .750 +.002 .751 THRU 1.000 +.001 1.001 THRU 2.000 +.001		APPROVALS DRAWN: C. Lambiotte 2/24/99 CHECKED: M. BRYAN 11/9/99 APPROVED: J. HICKAM 11/11/99 APPROVED: L. REITZ 11/9/99		DWG_GEN_CABLE ASSY_DCM 100BASE TX INTERFACE_DB26 TO RJ45 CROSSOVER_PLUS_TO MINUS_XX FT	
APPLICATION FINISH		MATERIAL		SIZE: D CAGE CODE: 830-0789-XX DRAWING NO.: 830-0789-XX REV.: C	
<small>THIS DOCUMENT AND THE DATA ENCLOSED HEREIN OR HEREON IS PROPRIETARY AND IS NOT TO BE REPRODUCED, USED OR DISCLOSED IN WHOLE OR PART TO ANYONE WITHOUT THE WRITTEN PERMISSION OF TEKELEC. COPYRIGHT, TEKELEC 1996.</small>					

DOCUMENT CONTROL  
PRODUCTION RELEASED