

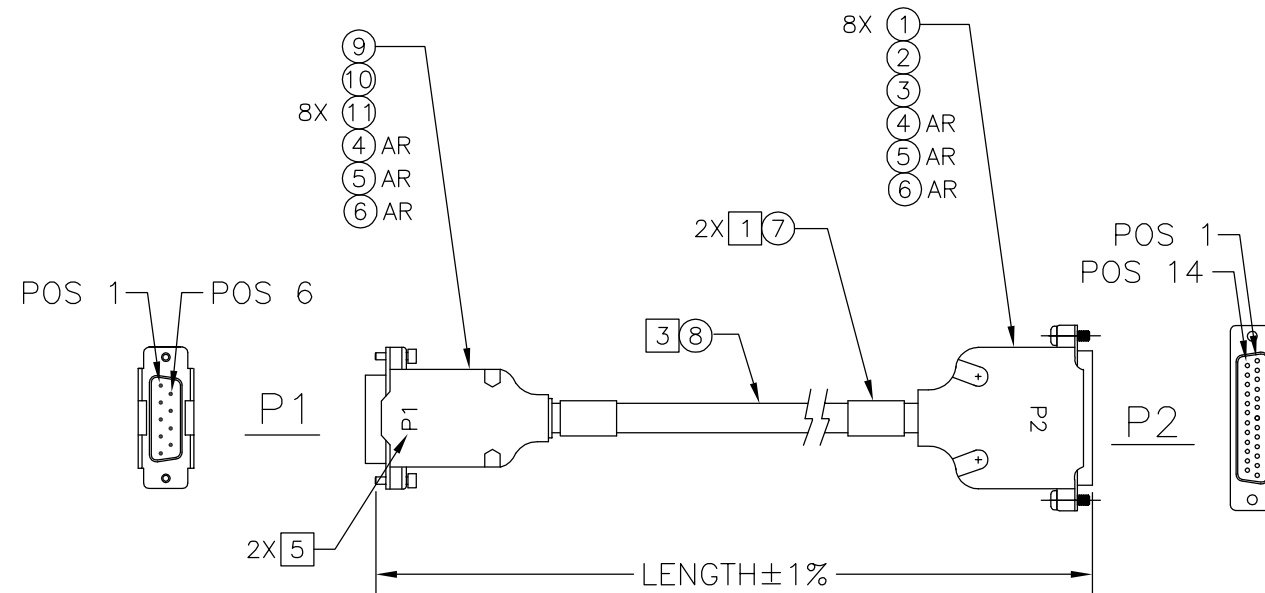
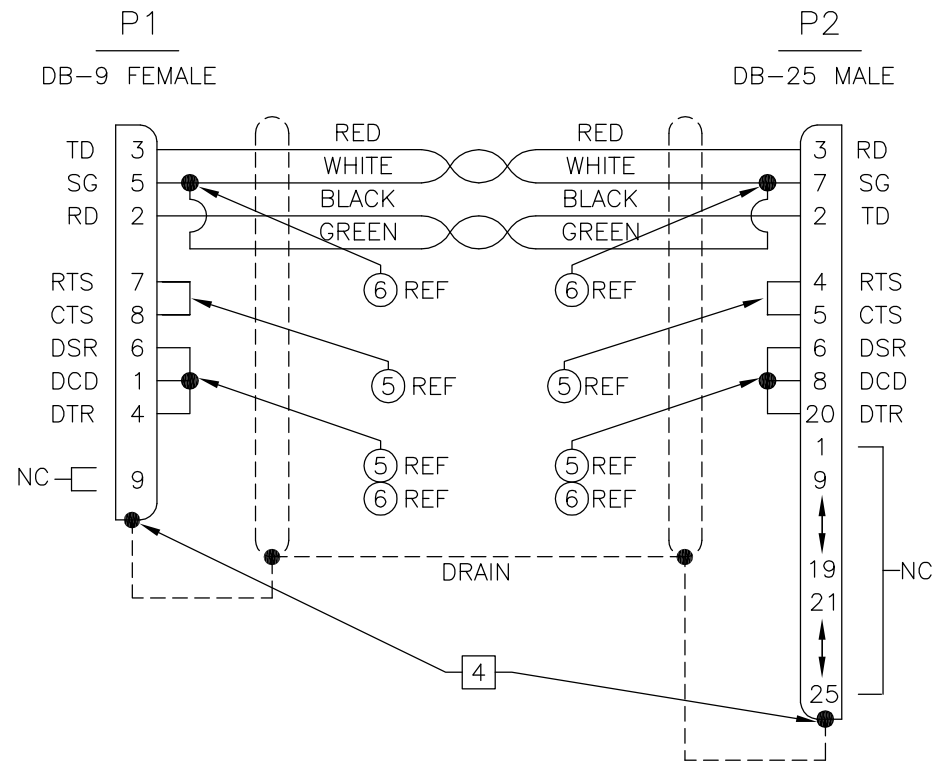
NOTES: UNLESS OTHERWISE SPECIFIED

- 1) PERMANENTLY MARK CABLE LABEL(S) (ITEM 7) WITH TEKELEC PART NUMBER INCLUDING APPLICABLE DASH NUMBER AND REVISION LEVEL, P1 OR P2 ETC., VENDOR NAME AND DATE OF MANUFACTURE. LOCATE APPROXIMATELY AS SHOWN.
- 2) PREPARE CABLE AND ASSEMBLE CONTACTS AND CONNECTORS IN ACCORDANCE WITH MANUFACTURER'S INSTRUCTIONS.
- 3) NO ADDITIONS, DELETIONS, SUBSTITUTIONS OR MODIFICATIONS WITHOUT PRIOR WRITTEN TEKELEC APPROVAL.
- 4) BACKSHELL(S) SHALL BE GROUNDED BY TERMINATION OF THE FOIL SHIELD AND DRAIN WIRES(PART OF ITEM 8) IN ACCORDANCE WITH THE MANUFACTURER'S ASSEMBLY INSTRUCTIONS. DO NOT SOLDER DRAIN WIRE TO CONNECTOR HOUSING OR BACKSHELL.

- 5) PERMANENTLY MARK P1, P2 WITH .09 TO .13 HIGH BLACK CHARACTERS. LOCATE APPROXIMATELY AS SHOWN.

REVISIONS			
REV	DESCRIPTION	DATE	APPROVED
A	RELEASE PER ECN #12741	4/21/03	D. GRIFFITH
B	REVISED PER ECO #12806	4/25/03	J. THACKER
C	REVISED PER ECN #12885	6/5/03	M. BRYAN

TABULATION BLOCK		
PART NO.	LENGTH (INCHES)	REVISION LEVEL
830-0964-01	60.0±1%	C
830-0964-02	120.0±1%	C
830-0964-03	180.0±1%	C
830-0964-04	240.0±1%	C
830-0964-05	300.0±1%	C

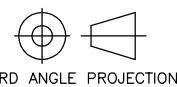


SEE SEPARATE PARTS LIST

WIRING DIAGRAM

DOCUMENT CONTROL
PRODUCTION RELEASED

UNLESS OTHERWISE SPECIFIED:
DO NOT SCALE DRAWING.
DIMENSIONS ARE IN INCHES.
INTERPRET DIMENSIONS IN ACCORDANCE
WITH ASME Y14.5M-1994.
DRAWING TO CONFORM TO TEKELEC
SPECIFICATION 907-0169-01.
DEBURR AND BREAK SHARP EDGES
AND CORNERS .005-.015.
MACHINED SURFACE FINISH ¹²⁵ ✓
DECIMAL TOLERANCES:
.XX = ±.02 .XXX = ±.005
ANGLE TOLERANCE: ± 1'



THIRD ANGLE PROJECTION

THIS DOCUMENT AND THE DATA DISCLOSED HEREIN
OR HEREWITH IS PROPRIETARY AND IS NOT
TO BE REPRODUCED, USED OR DISCLOSED IN
WHOLE OR PART TO ANYONE WITHOUT THE WRITTEN
PERMISSION OF TEKELEC. COPYRIGHT TEKELEC 2001.

APPROVALS	DATE
DRAWN BY J. MYERS	4/7/03
CHECKED S. LYTLE	4/8/03
APPROVED D. GRIFFITH	4/8/03

FINISH MATERIAL



TEKELEC 26580 W. Agoura Road,
Calabasas, California 91302

CABLE ASSY_SERIAL_
DB9F/DB25M_SHIELDED_FLOW
CONTROL_XXFT

SIZE	DIVISION	DRAWING NO.	REV.
C	NSD	830-0964-XX	C
SCALE: XXX	FILE NAME: 830-0964-XX_REV_C.DWG	SHEET 1 OF 1	