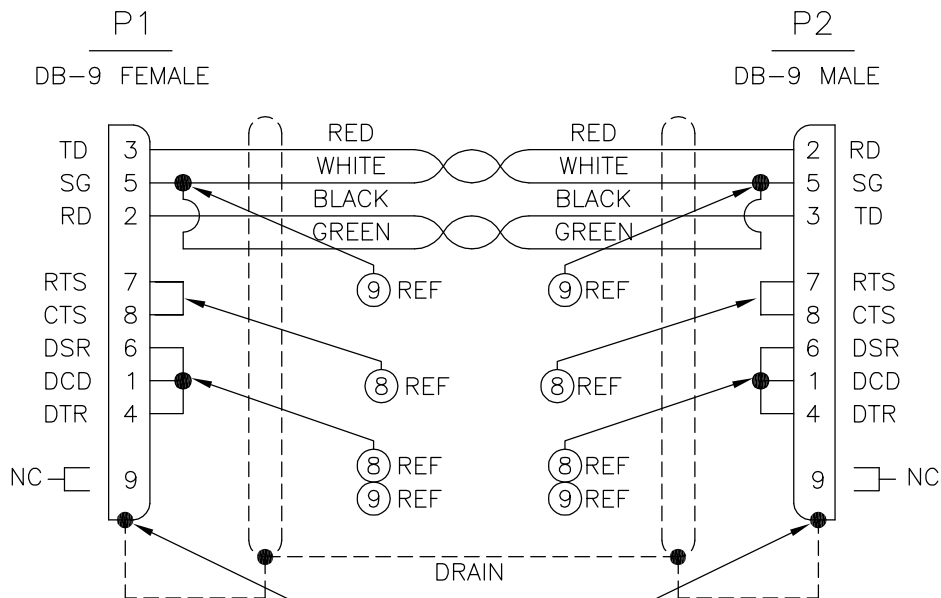


NOTES: UNLESS OTHERWISE SPECIFIED

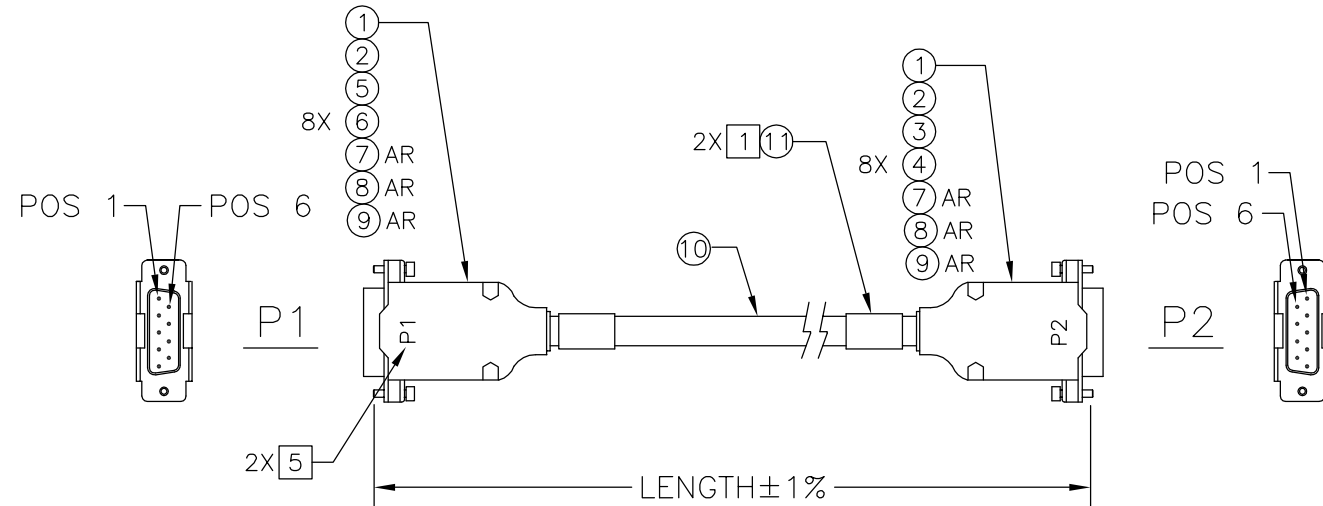
- 1) PERMANENTLY MARK CABLE LABEL(S) WITH TEKELEC PART NUMBER INCLUDING APPLICABLE DASH NUMBER AND REVISION LEVEL, P1 OR P2 ETC., VENDOR NAME AND DATE OF MANUFACTURE. LOCATE APPROXIMATELY AS SHOWN.
- 2) PREPARE CABLE AND ASSEMBLE CONTACTS AND CONNECTORS IN ACCORDANCE WITH MANUFACTURER'S INSTRUCTIONS.
- 3) NO ADDITIONS, DELETIONS, SUBSTITUTIONS OR MODIFICATIONS WITHOUT PRIOR WRITTEN TEKELEC APPROVAL.
- 4) BACKSHELL(S) SHALL BE GROUNDED BY TERMINATION OF THE FOIL SHIELD AND DRAIN WIRES IN ACCORDANCE WITH THE MANUFACTURER'S ASSEMBLY INSTRUCTIONS. DO NOT SOLDER DRAIN WIRE TO CONNECTOR HOUSING OR BACKSHELL.
- 5) PERMANENTLY MARK P1, P2 WITH .09 TO .13 HIGH BLACK CHARACTERS. LOCATE APPROXIMATELY AS SHOWN.

REVISIONS			
REV	DESCRIPTION	DATE	APPROVED
A	RELEASE PER ECO #12783	4/22/03	D. GRIFFITH
B	REVISED PER ECO #12838	05/06/03	D. GRIFFITH
C	REVISED PER ECN #12855	6/5/03	M. BRYAN
D	REVISED PER ECO #13134	9/8/03	D. GRIFFITH

TABULATION BLOCK		
PART NO.	LENGTH (INCHES)	REVISION LEVEL
830-0970-01	60.0±1%	C
830-0970-02	120.0±1%	C
830-0970-03	180.0±1%	C
830-0970-04	240.0±1%	C
830-0970-05	300.0±1%	C
830-0970-06	72.0±1%	A
830-0970-07	84.0±1%	A
830-0970-08	96.0±1%	A
830-0970-09	108.0±1%	A



WIRING DIAGRAM

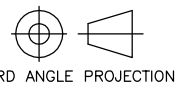


SEE SEPARATE PARTS LIST

A

DOCUMENT CONTROL
PRODUCTION RELEASED

UNLESS OTHERWISE SPECIFIED:
DO NOT SCALE DRAWING.
DIMENSIONS ARE IN INCHES.
INTERPRET DIMENSIONS IN ACCORDANCE WITH ASME Y14.5M-1994.
DRAWING TO CONFORM TO TEKELEC SPECIFICATION 907-0169-01.
DEBURR AND BREAK SHARP EDGES AND CORNERS .005-.015.
MACHINED SURFACE FINISH ¹²⁵ ✓
DECIMAL TOLERANCES:
.XX= ±.02 .XXX= ±.005
ANGLE TOLERANCE: ± 1'



THIRD ANGLE PROJECTION

THIS DOCUMENT AND THE DATA DISCLOSED HEREIN OR HEREWITH IS PROPRIETARY AND IS NOT TO BE REPRODUCED, USED OR DISCLOSED IN WHOLE OR PART TO ANYONE WITHOUT THE WRITTEN PERMISSION OF TEKELEC. COPYRIGHT TEKELEC 2001.	
APPROVALS	DATE
DRAWN BY J. MYERS	4/16/03
CHECKED S. LYTLE	4/17/03
APPROVED D. GRIFFITH	4/17/03
NEXT ASSY	USED ON
APPLICATION	MATERIAL
FINISH	



TEKELEC 26580 W. Agoura Road,
Calabasas, California 91302

CABLE ASSY_
SERIAL_NULL MODEM_
DB9F/DB9M_SHIELDED_XXFT

SIZE	DIVISION	DRAWING NO.	REV.
C	NSD	830-0970-XX	D
SCALE: XXX		FILE NAME: 830-0970-XX_REV_D.DWG	SHEET 1 OF 1