

NOTES: UNLESS OTHERWISE SPECIFIED

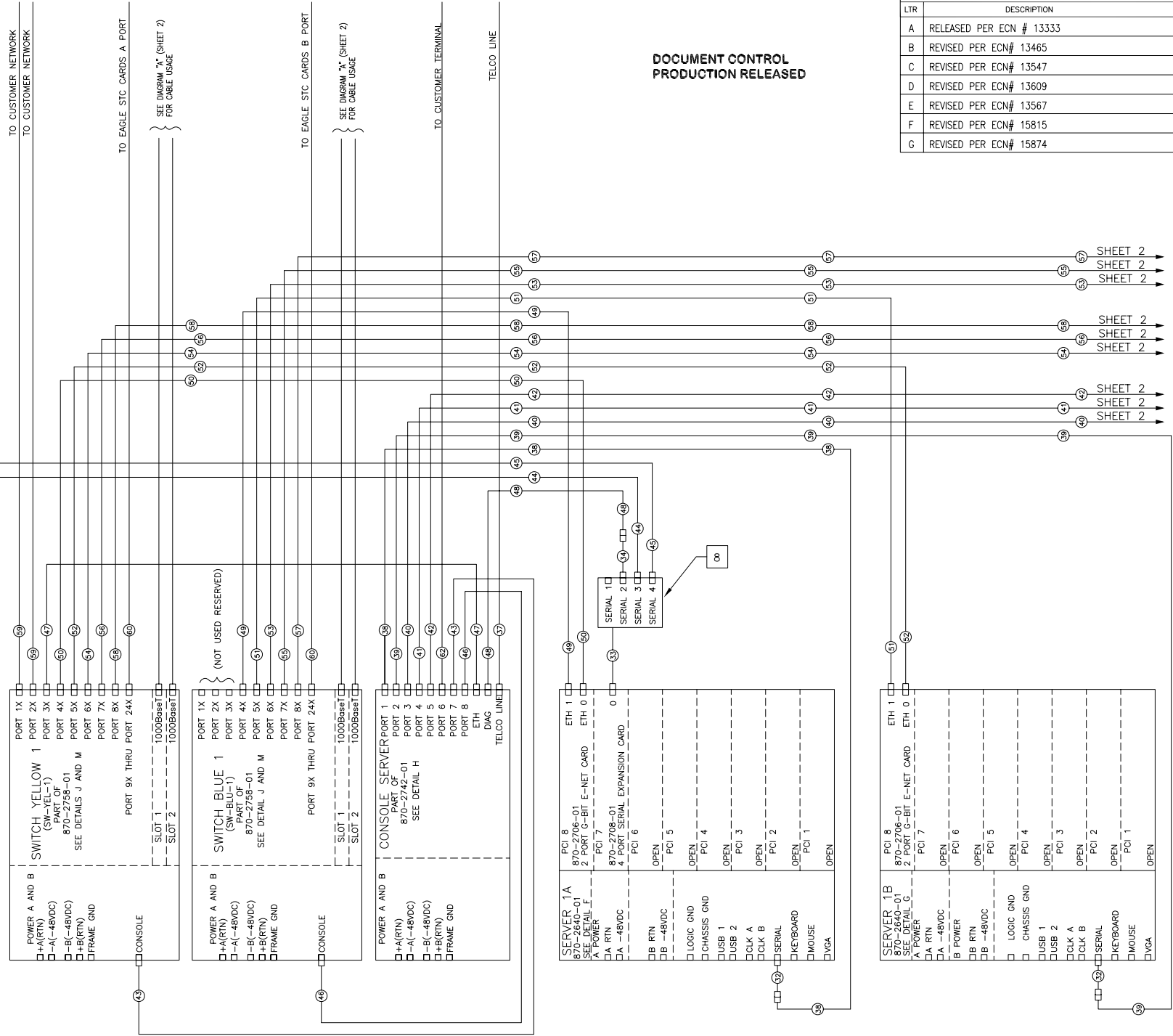
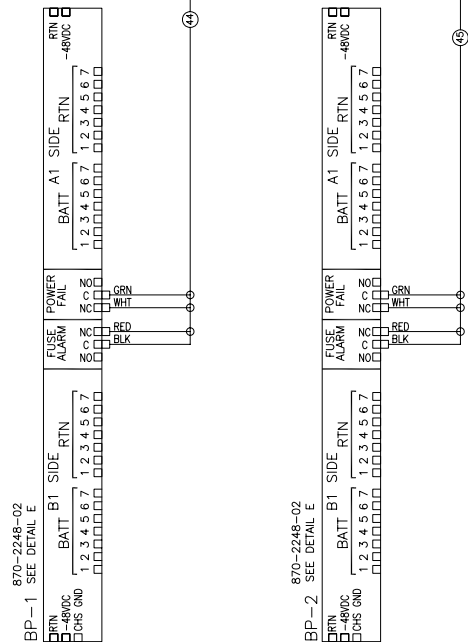
- 1) INSTALL ALL CABLE ASSEMBLIES WITH DRESSED BEND RADII IN ACCORDANCE WITH TEKELEC CABLE BEND RADIUS SPECIFICATION 906-0020-01.
- 2) ALL INTERCONNECTION POINTS SHALL BE STRAIN RELIEVED BY POSITIVE MECHANICAL FEATURES OR FASTENERS FOR LENGTH CONFIGURATIONS.
- 3) THIS DIAGRAM AND ALL PART NUMBERS SHOWN ARE FOR REFERENCE ONLY. REFERENCE CABLE PART NUMBERS WITH XX FOR THE DASH NUMBER ARE LENGTHS THAT ARE SITE SPECIFIC.
- 4) NO ADDITIONS, DELETIONS, SUBSTITUTIONS OR MODIFICATIONS WITHOUT PRIOR WRITTEN TEKELEC APPROVAL.
- 5) SEE TEKELEC P/N 820-2410-01 FOR CURRENT HARDWARE LIST.
- 6) ALL POWER CABLES ARE CONNECTED WITH THE RED LEAD TO -48VDC TERMINAL AND THE BLACK LEAD TO RETURN TERMINAL.
- 7) -48 VDC, RTN, AND GND PRIMARY CABLING EXITING THE FRAME SHALL BE 6 AWG. SEE TABLES D, E AND F FOR LENGTH CONFIGURATIONS.

8 4-PORT SERIAL CABLE, SUPPLIED WITH PCI SERIAL CARD. PORT NUMBERS 1 THRU 4 ARE LOCATED ON THE FOUR DB-9 CONNECTORS. PORT 0 IS THE DB-44 CONNECTOR THAT INTERFACES WITH THE PCI SERIAL CARD.

9 USE LABEL PN 617-0009-01 TO MAKE LABEL SET FOR FROM AND TO ON CABLES INDICATED IN TABLES A, B, G, H, J & K. EACH CABLE INDICATED WILL REQUIRE 2 LABELS ONE AS SHOWN IN THE TABLES AND ONE WITH FROM AND TWO REVERSED AS SHOWN IN DETAIL K. PERMANENTLY PRINT LABELS WITH .09 HIGH BLACK CHARACTERS. CENTER TEXT APPROXIMATELY AS SHOWN. MAX 23 CHARACTERS PER LINE. SEE DETAIL L FOR PLACEMENT OF LABELS ON CABLES. CABLES IDENTIFIED AS FIELD LABEL WILL BE LABELED AT INSTALLATION.

10 FRAME LABEL KITS PN 840-1137-02 AND 840-1137-03 CONTAIN A QUANTITY OF 4 GBIC MODULES. WHEN EXPANDING TO THE SECOND OR THIRD FRAME THE SWITCHES REQUIRE AN GBIC MODULE IN EACH SWITCH (SEE SHEET 2 DIAGRAM "A").

11 THE SECOND AND THIRD FRAME WILL NOT CONNECT TO THE CUSTOMERS NETWORK THE ONLY CONNECTION TO THE CUSTOMERS NETWORK WILL BE THROUGH FRAME 1. (SEE SHEET 2 DIAGRAM "A").



DOCUMENT CONTROL PRODUCTION RELEASED

REVISIONS			
LTR	DESCRIPTION	DATE	APPROVED
A	RELEASED PER ECN # 13333	12/18/03	D. GRIFFITH
B	REVISED PER ECN# 13465	3/3/04	GRIFFITH
C	REVISED PER ECN# 13547	3/30/04	GRIFFITH
D	REVISED PER ECN# 13609	4/22/04	M.BRYAN
E	REVISED PER ECN# 13567	09/16/04	M.BRYAN
F	REVISED PER ECN# 15815	03/28/06	M.BRYAN
G	REVISED PER ECN# 15874	04/27/06	M.BRYAN

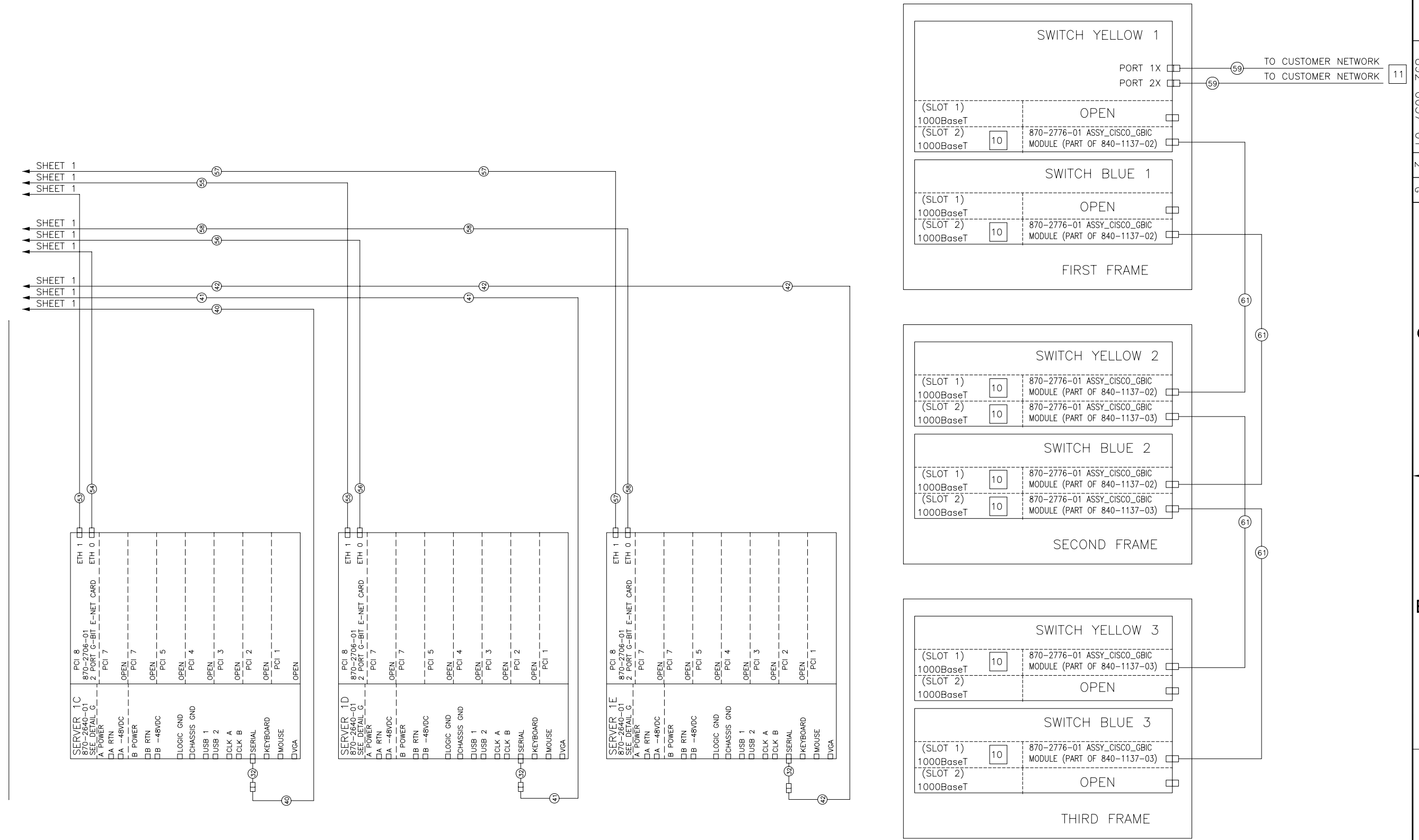
DATA CONNECTIONS AND CABLES

STANDARD HOLE TOLERANCES:	
HOLE DIA	TOLERANCES
.013 THRU .125	+ .004 - .001
.126 THRU .250	+ .005 - .001
.251 THRU .500	+ .006 - .001
.501 THRU .750	+ .008 - .001
.751 THRU 1.000	+ .010 - .001
1.001 THRU 2.000	+ .012 - .001

CONTRACT NO.		TEKELEC 26580 W. Agoura Road, Calabasas, California 91302	
APPROVALS		DATE	
DRAWN M.BRYAN		12/12/03	
CHECKED BEAUCHAMP		12/12/03	
APPROVED D. GRIFFITH		12/18/03	
APPLICATION	USED ON	SIZE	CAGE CODE
FINISH	MATERIAL	D	
		DRAWING NO.	REV.
		892-0057-01	G
		SCALE: NONE	FILE NAME:
		SHEET 1 OF 7	

THIS DOCUMENT AND THE DATA DISCLOSED HEREIN OR HEREWITH IS PROPRIETARY AND IS NOT TO BE REPRODUCED, USED OR DISCLOSED IN WHOLE OR PART TO ANYONE WITHOUT THE WRITTEN PERMISSION OF TEKELEC. COPYRIGHT, TEKELEC 1994.

REVISIONS			
LTR	DESCRIPTION	DATE	APPROVED



SHEET 1
SHEET 1
SHEET 1
SHEET 1
SHEET 1
SHEET 1
SHEET 1

892-0057-01 2 G

DIAGRAM "A"

1500 LINK INTERCONNECTION
(NOT APPLICABLE FOR PMF SYSTEMS)

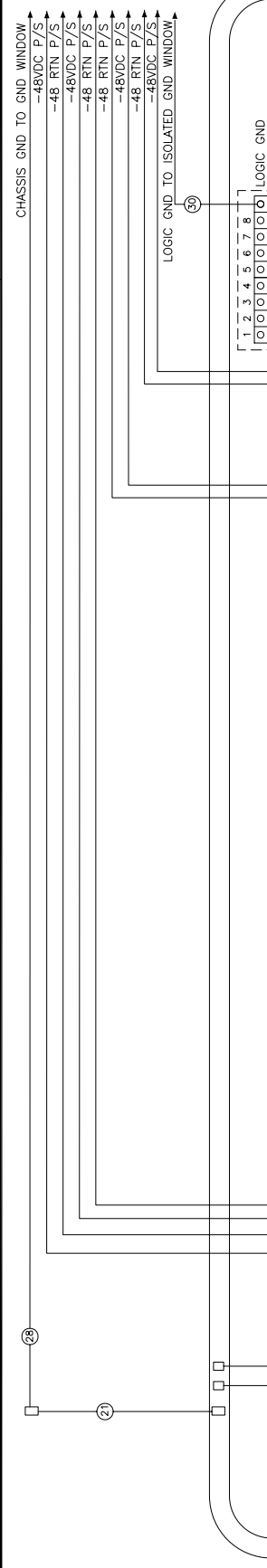
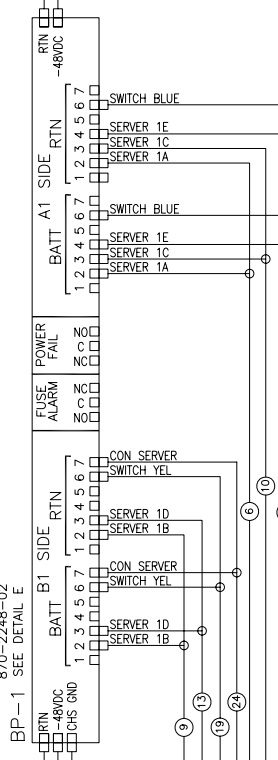
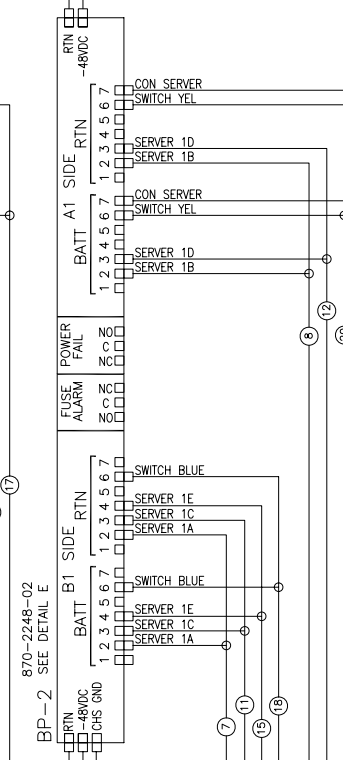
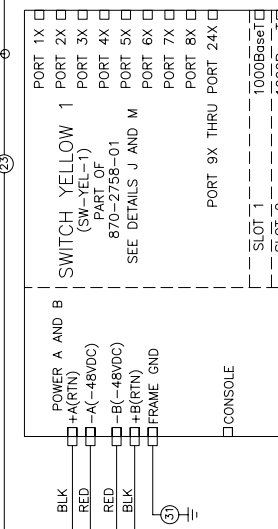
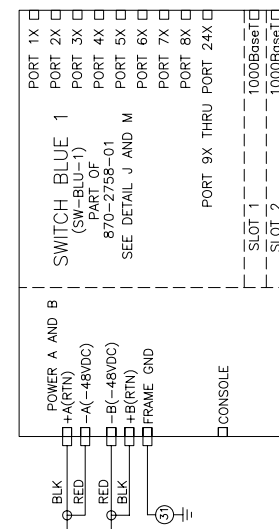
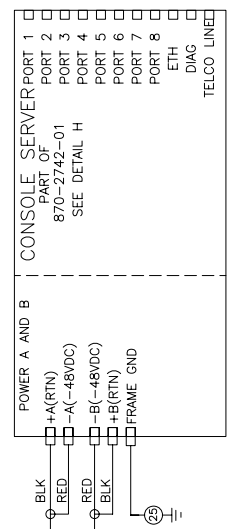
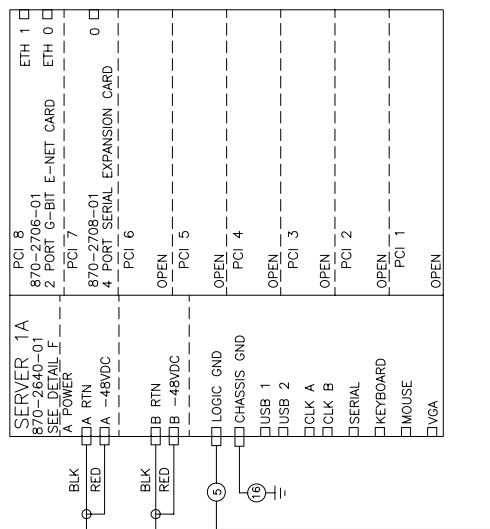
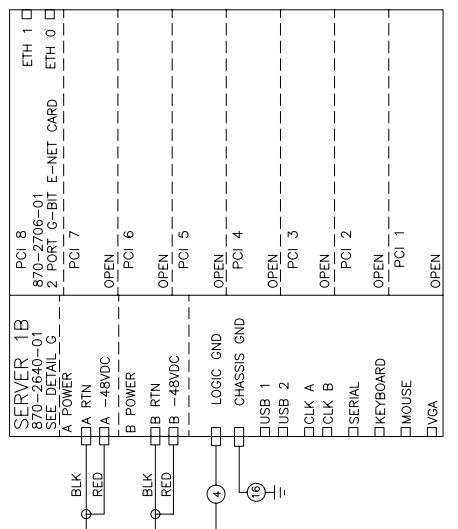
DATA CONNECTIONS AND CABLES

SIZE	CAGE CODE	DRAWING NO.	REV.
D		892-0057-01	G
SCALE: NONE		FILE NAME:	SHEET 2 OF 7

THIS DOCUMENT AND THE DATA DISCLOSED HEREIN OR HEREWITH IS PROPRIETARY AND IS NOT TO BE REPRODUCED, USED OR DISCLOSED IN WHOLE OR PART TO ANYONE WITHOUT THE WRITTEN PERMISSION OF TEKELEC. COPYRIGHT, TEKELEC 1996.

REVISIONS			
LTR	DESCRIPTION	DATE	APPROVED

SHEET 4
SHEET 4
SHEET 4



POWER CONNECTIONS AND CABLES

SIZE	CAGE CODE	DRAWING NO.	REV.
D		892-0057-01	G
SCALE: NONE	FILE NAME:	SHEET 3 OF 7	

892-0057-01 3 G

C

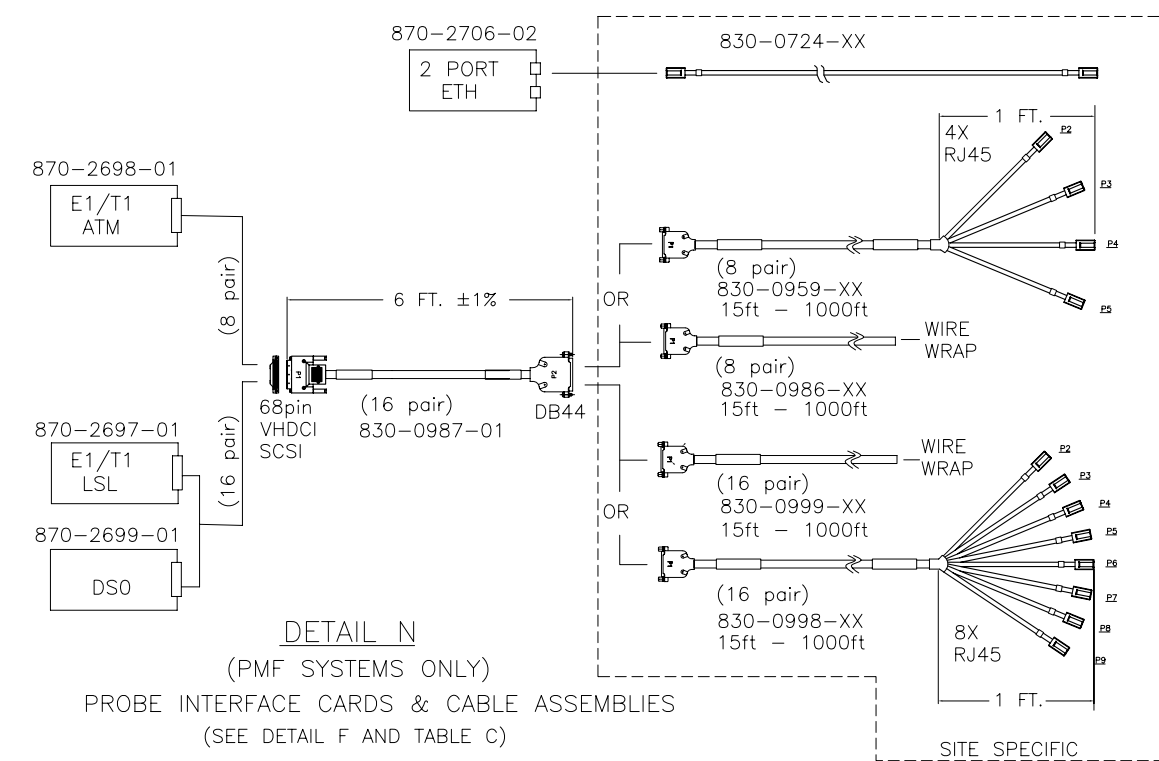
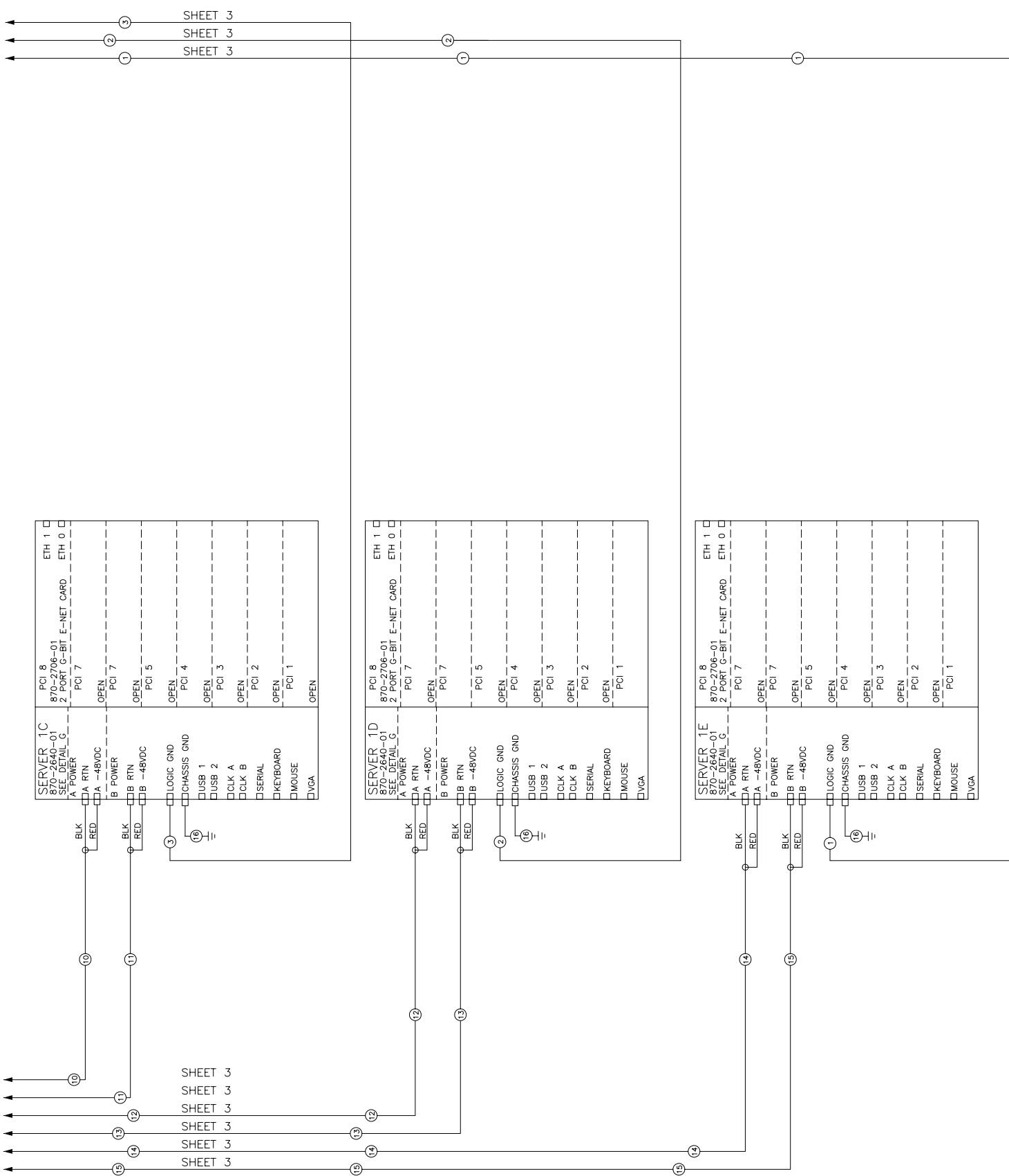
A

B

A

1

REVISIONS			
LTR	DESCRIPTION	DATE	APPROVED



POWER CONNECTIONS AND CABLES

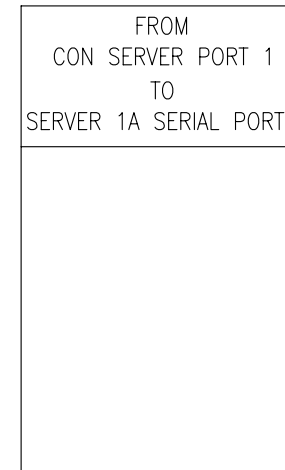
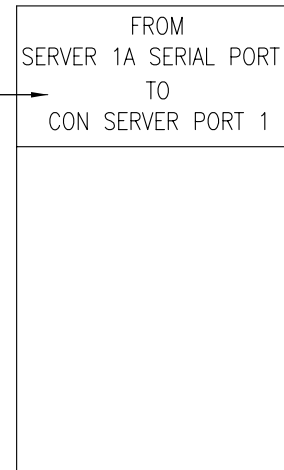
TABLE A - POWER CABLE PART NUMBERS

Table with columns: ITEM NO., TEKELEC P/N, QTY, LENGTH, RUN LIST AND LABEL INFORMATION FOR FROM AND TO, LABEL REQUIRED. Contains 31 rows of power cable specifications.

TABLE B - DATA CABLE PART NUMBERS

Table with columns: ITEM NO., TEKELEC P/N, QUANTITY, LENGTH, RUN LIST AND LABEL INFORMATION FOR FROM AND TO, LABEL REQUIRED. Contains 32 rows of data cable specifications.

REVISIONS table with columns: LTR, DESCRIPTION, DATE, APPROVED.



EXAMPLE OF TEXT SHOWN IN TABLES

EXAMPLE WITH TEXT REVERSED FROM FIRST LABEL

DETAIL K

CABLE LABEL EXAMPLE USING CABLE ITEM NO. 38

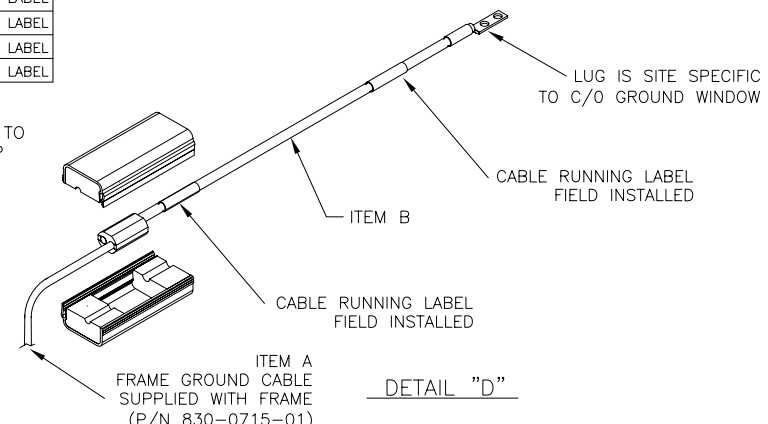
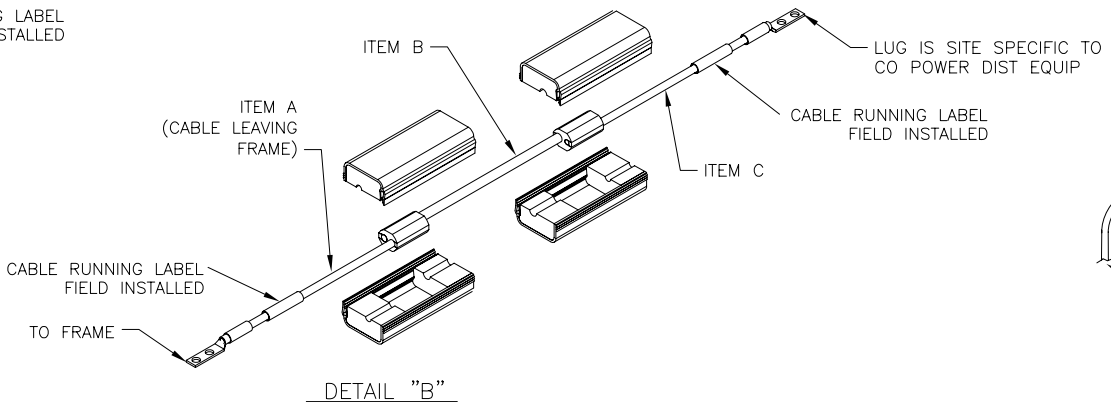
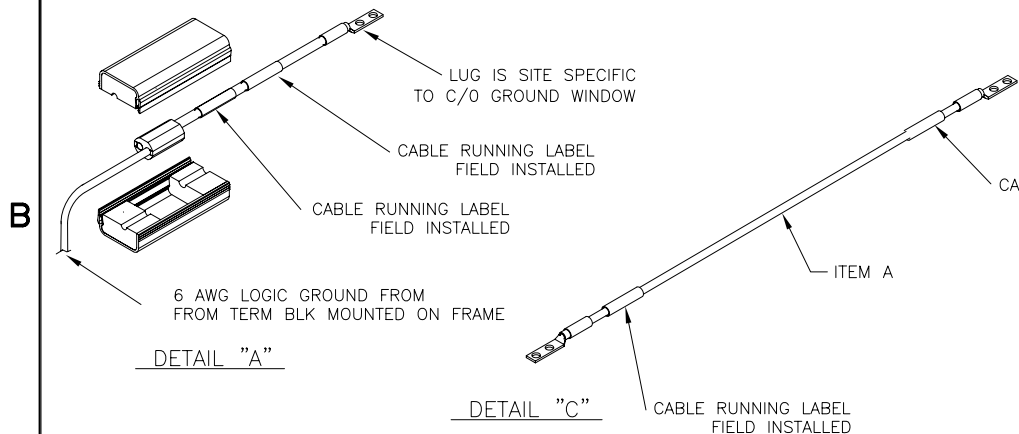


TABLE D - LOGIC GROUND CABLING

Table with columns: DISTANCE, PRIMARY CABLE PART NUMBER, CABLE AWG, TERMINAL LUG P/N, HEAT SHRINK PART NUMBER, COMMENT, REF. DETAIL. Contains 2 rows of logic ground cabling data.

TABLE E - 48VDC & 48VRTN CABLING COMPONENTS

Table with columns: DISTANCE, ITEM A (CABLE P/N, CABLE AWG, TERMINAL LUG P/N, HEAT SHRINK P/N), ITEM B (CABLE P/N, CABLE AWG), ITEM C (CABLE CONSTRUCTION), HALF TAP SPLICE P/N, HTAP SOFT COVER P/N, COMMENT, REF. DETAIL. Contains 5 rows of cabling component data.

TABLE F - SYSTEM FRAME GROUND CABLING

Table with columns: DISTANCE, CABLE P/N, CABLE AWG, ITEM A (TERMINAL LUG P/N, HEAT SHRINK P/N), ITEM B (CABLE P/N, CABLE AWG), HTAP (H TAP P/N), COMMENT, REF. DETAIL. Contains 2 rows of system frame ground cabling data.

THIS DOCUMENT AND THE DATA DISCLOSED HEREIN OR HEREWITH IS PROPRIETARY AND IS NOT TO BE REPRODUCED, USED OR DISCLOSED IN WHOLE OR PART TO ANYONE WITHOUT THE WRITTEN PERMISSION OF TEKELEC. COPYRIGHT, TEKELEC 1996.

Table with columns: SIZE, CAGE CODE, DRAWING NO., REV. Contains drawing identification information: 892-0057-01, G.

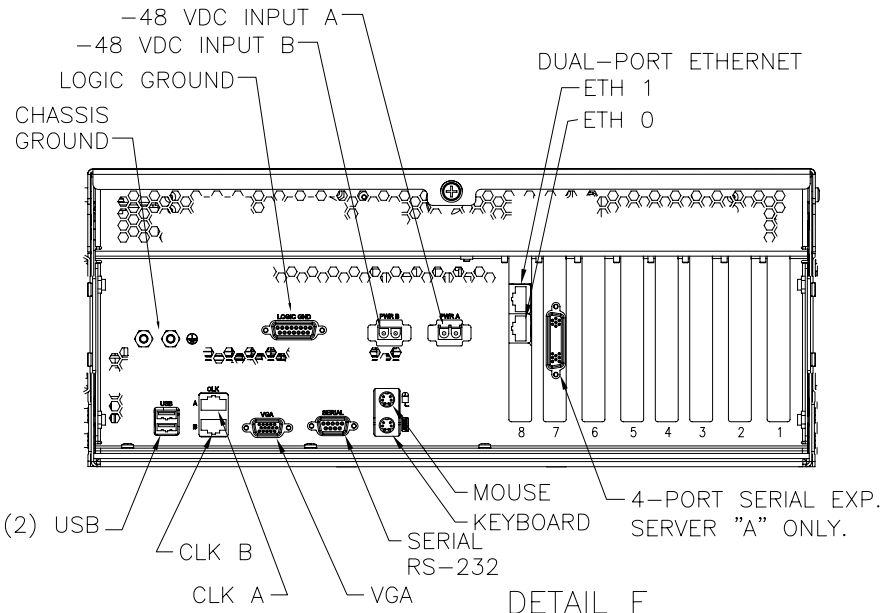
892-0057-01 5

DETAIL K

ITEM B

ITEM A

REVISIONS			
LTR	DESCRIPTION	DATE	APPROVED

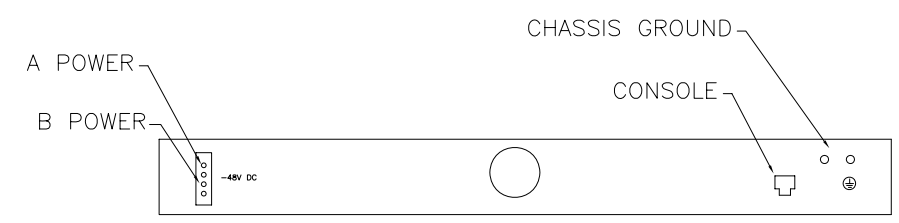


DETAIL F

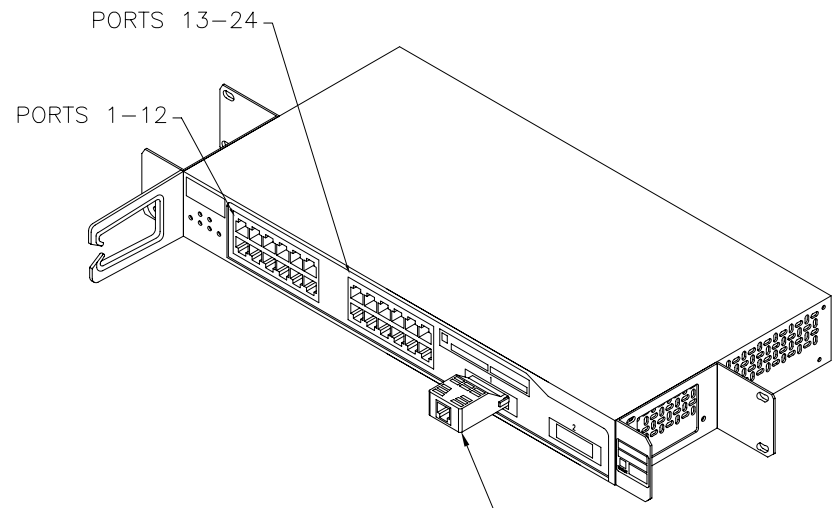
SERVER (REAR VIEW) 870-2640-01 W/ PCI CARDS:
(SEE TABLE C FOR PCI CARD P/N'S & LOCATIONS)

TABLE C

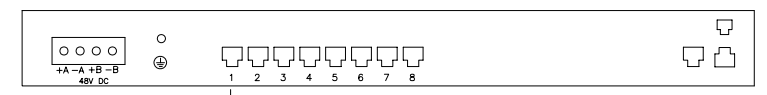
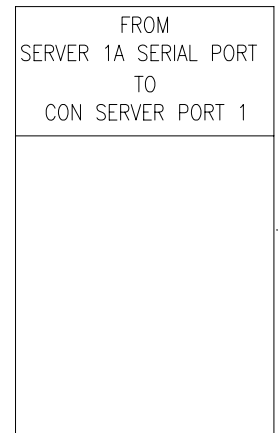
PCI SLOT	BIT	MHZ	CARD	PART NUMBER
1	64	133	PROBE INTERFACE (PMF SYSTEMS)	(SEE DETAIL N, SHT.4)
2	64	66	PROBE INTERFACE (PMF SYSTEMS)	(SEE DETAIL N, SHT.4)
3	64	66	PROBE INTERFACE (PMF SYSTEMS)	(SEE DETAIL N, SHT.4)
4	64	66	PROBE INTERFACE (PMF SYSTEMS)	(SEE DETAIL N, SHT.4)
5	64	66	PROBE INTERFACE (PMF SYSTEMS)	(SEE DETAIL N, SHT.4)
6	64	133	PROBE INTERFACE (PMF SYSTEMS)	(SEE DETAIL N, SHT.4)
7	32	33	4 PORT SERIAL (SERVER A ONLY)	870-2706-01
8	32	33	DUAL-PORT ETHERNET	870-2706-02



DETAIL J
REAR VIEW-SWITCH
870-2758-01

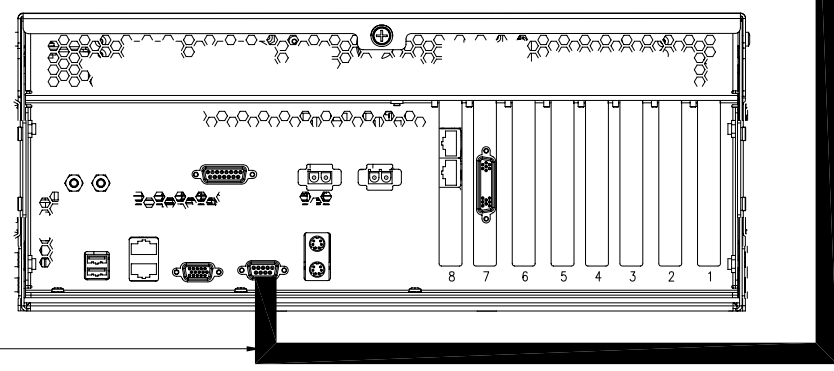
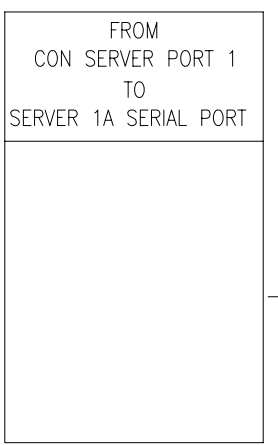


DETAIL M
ISO VIEW OF THE FRONT-SWITCH
870-2758-01



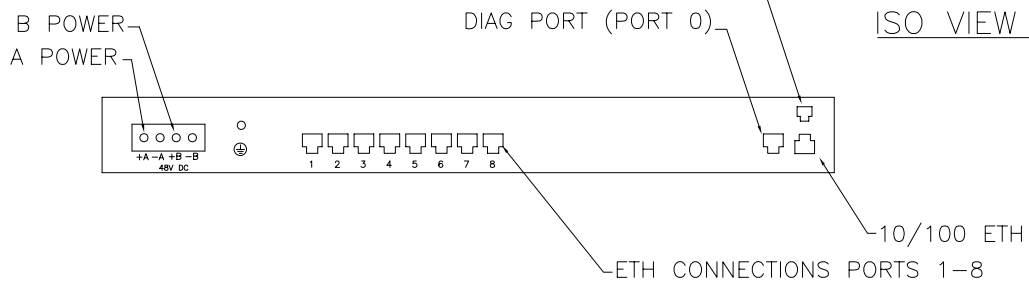
CONSOLE SERVER (REAR VIEW)

SERVER 1A (REAR VIEW)

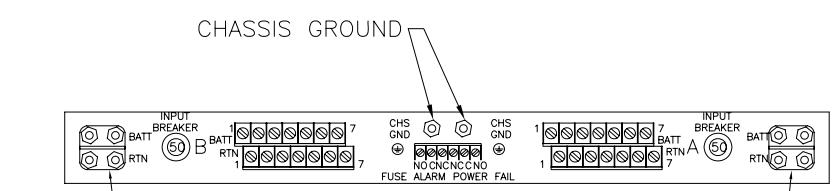


DETAIL L

CABLE LABEL PLACEMENT DETAIL
TYPICAL FOR ALL CABLES
INDICATED IN TABLES A AND B
USING CABLE ITEM NO. 38



DETAIL H
REAR VIEW- CONSOLE SERVER
870-2742-01



DETAIL E
CIRCUIT BREAKER (REAR VIEW)
870-2248-02

THIS DOCUMENT AND THE DATA DISCLOSED HEREIN OR HEREMITH IS PROPRIETARY AND IS NOT TO BE REPRODUCED, USED OR DISCLOSED IN WHOLE OR PART TO ANYONE WITHOUT THE WRITTEN PERMISSION OF TEKELEC. COPYRIGHT, TEKELEC 1996.

SIZE	CAGE CODE	DRAWING NO.	REV.
D		892-0057-01	G
SCALE: NONE		FILE NAME:	SHEET 6 OF 7

REVISIONS			
LTR	DESCRIPTION	DATE	APPROVED

8

7

6

5

4

3

2

1

TABLE G - POWER CABLE PART NUMBERS (SECOND FRAME)

Table with columns: ITEM NO., TEKELEC P/N, QTY, LENGTH, RUN LIST AND LABEL INFORMATION FOR FROM AND TO, LABEL REQUIRED. Contains 31 rows of power cable specifications.

TABLE J - POWER CABLE PART NUMBERS (THIRD FRAME)

Table with columns: ITEM NO., TEKELEC P/N, QTY, LENGTH, RUN LIST AND LABEL INFORMATION FOR FROM AND TO, LABEL REQUIRED. Contains 31 rows of power cable specifications.

TABLE H - DATA CABLE PART NUMBERS (SECOND FRAME)

Table with columns: ITEM NO., TEKELEC P/N, QUANTITY, LENGTH, RUN LIST AND LABEL INFORMATION FOR FROM AND TO, LABEL REQUIRED. Contains 32 rows of data cable specifications.

TABLE K - DATA CABLE PART NUMBERS (THIRD FRAME)

Table with columns: ITEM NO., TEKELEC P/N, QUANTITY, LENGTH, RUN LIST AND LABEL INFORMATION FOR FROM AND TO, LABEL REQUIRED. Contains 32 rows of data cable specifications.

REVISIONS table with columns: LTR, DESCRIPTION, DATE, APPROVED. Includes revision 1.

8

7

6

5

4

3

2

1