

REVISIONS			
REV	DESCRIPTION	DATE	APPROVED
A	RELEASED PER ECN# 14948	03/31/06	BRYAN

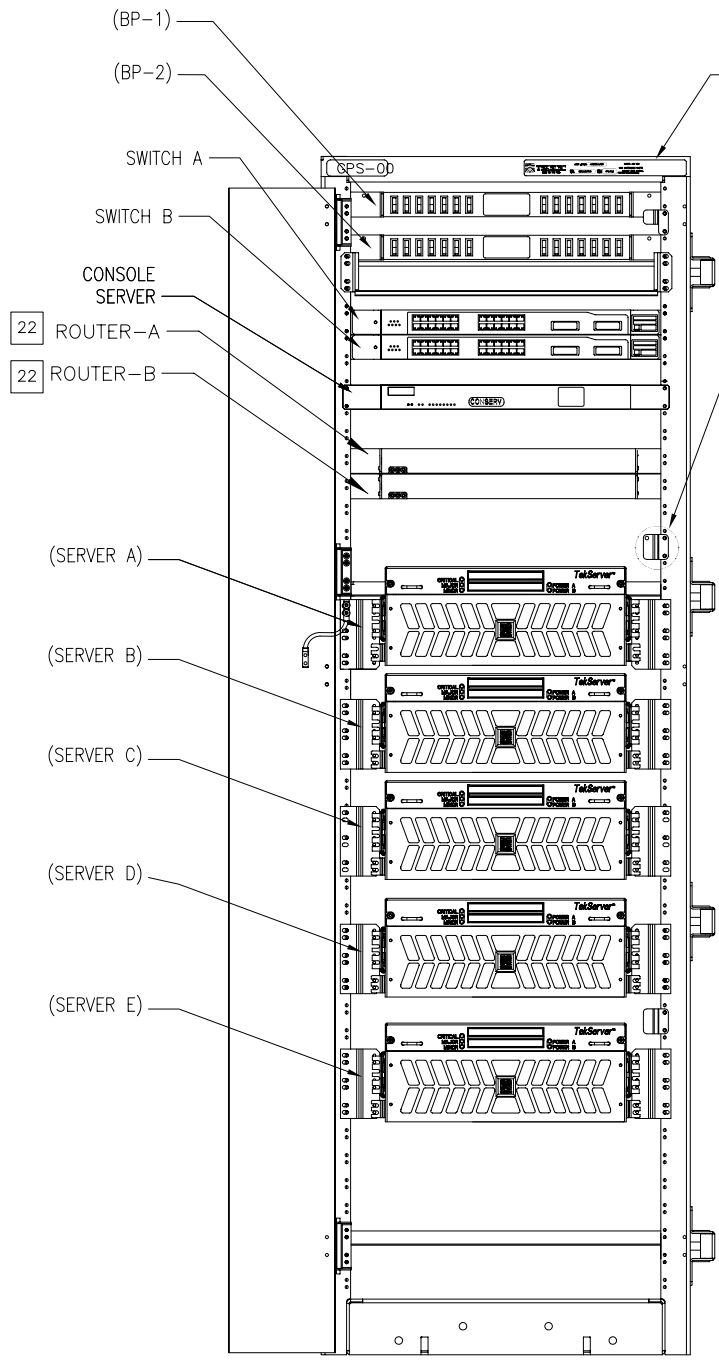
NOTES: UNLESS OTHERWISE SPECIFIED

- 1) NO ADDITIONS, DELETIONS, SUBSTITUTIONS OR MODIFICATIONS WITHOUT PRIOR WRITTEN TEKELEC APPROVAL.
- 2) TORQUE ALL FASTENERS IN ACCORDANCE WITH TEKELEC SPECIFICATION 906-0008-01.
- 3) REFER TO INTERCONNECT DIAGRAM (ITEM 36) FOR CABLE CONNECTIONS.
- 4) FOR LOCATING INDIVIDUAL PARTS, USE DIMENSION SHOWN.
- 5) DO NOT INSTALL. SHIP UNASSEMBLED AND PACKED WITH UNIT.
- 6) LABEL SHOWN IS HALF OF ITEM 18. POSITION HORIZONTALLY AS SHOWN.
- 7) UNLESS OTHERWISE SPECIFIED, ITEMS NOT SHOWN TO BE SHIPPED PACKED WITH UNIT.
- 8) LOCATE APPROXIMATELY AS SHOWN.
- 9) A QUANTITY OF 12 SCREWS (ITEM 3) ARE NEEDED TO ATTACH THE CIRCUIT BREAKER, CONSOLE SERVER, ROUTER AND SWITCH GROUND CABLES. THESE SCREWS ARE NOT SHOWN.
- 10) MOUNTING SCREWS ARE PART OF SLIDE MOUNTING KIT (P/N 804-1706-01).
- 11) MOUNTED ON TOP OF BREAKER PANEL (ITEM 31) AT THIS POSITION.
- 12) INSTALL OPTIONAL COMPONENTS AS REQUIRED.
- 13) THE ROUTER CALBLE STRAIN RELIEF BARS ARE PART OF THE ROUTER ASSEMBLY.
- 14) ATTACH CHASSIS GROUND CABLE WITH SUPPLIED NUTS AND 2 SCREWS (ITEM 3), BOTH NOT SHOWN.
- 15) RACK DOLLY, FOR SHIPPING ONLY. TO BE REMOVED DURING INSTALLATION.
- 16) SERVER A MOUNTED ALIGNED WITH THE TOP OF THE SLIDE ADAPTER BRACKETS AS SHOWN. (THIS LOCATION ONLY).
- 17) ITEM 44 IS USED TO LABEL CABLES. SEE SYSTEM INTERCONNECT FOR INFORMATION TO PRINT LABELS.
- 18) REMOVE ADHESIVE BACKING AND ATTACH LABEL IN RECESSED AREA.
- 19) OPERATING KEY (ITEM 45) NOT SHOWN. KEY TO BE PACKAGED AND SHIPPED WITH ASSEMBLY.
- 20) THIS IS A CONFIGURABLE SYSTEM THE SALES ORDER WILL SPECIFY THE PART NUMBER AND QUANTITY FOR THE FOLLOWING ITEMS:
 - A) SERVERS
 - B) SWITCHES
 - C) CONSOLE SERVER
 - D) ROUTERS

MAX CONFIGURATION AS SHOWN. (SEE SYSTEM INTERCONNECT FOR ADDITIONAL DETAILS)

- 21) THE IDENTIFICATION LABEL ITEM 1 WILL SUPPORT THE MAXIMUM SCS CONFIGURATION. USING ITEM 1 APPLY THE LABELS MARKED SERVER A -E TO THE SERVERS AND ALSO APPLY A SECOND LABEL MARKED SCS OR SMS TO IDENTIFY THE SERVER TYPE AS THE SOFTWARE IS LOADED. THE REMAINING LABELS USE TO MARK ROUTERS, SWITCHES AND CONSOLE SERVER. LOCATE AS SHOWN IN THE DETAIL.

- 22) ROUTER A AND B SHALL HAVE THE RUBBER FEET INSTALLED ON THE BOTTOM OF THE ROUTERS TO MAINTAIN PROPER AIR FLOW BETWEEN THE ROUTERS. RUBBER FEET ARE SUPPLIED WITH ROUTER. INSTALL THE FEET IN THE EMBOSSED CIRCLES ON THE BOTTOM OF THE ROUTERS.

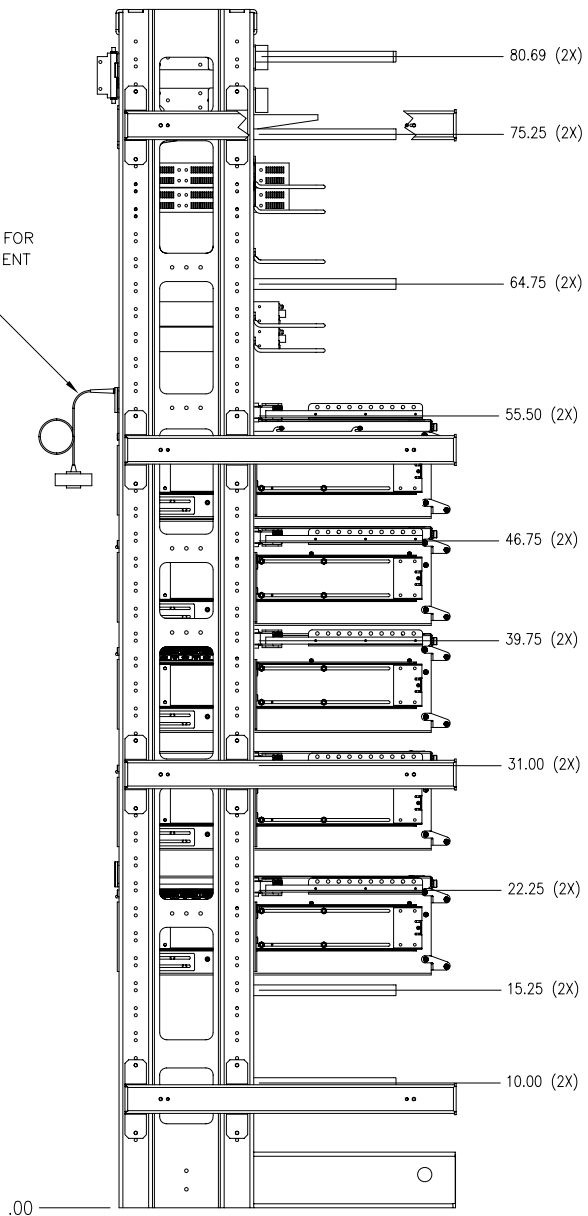


FRONT VIEW 20

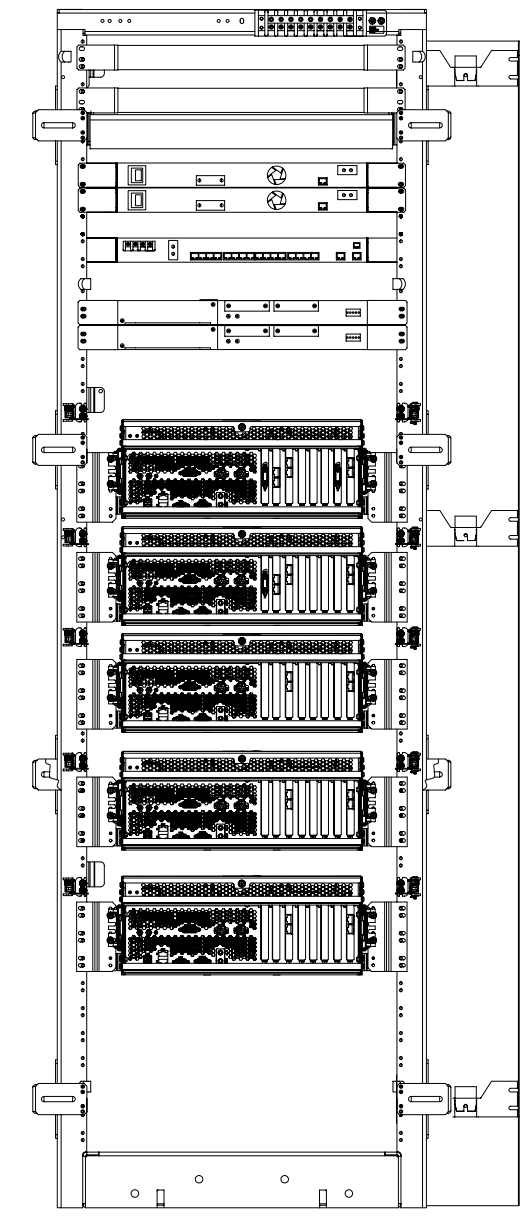
SEE DETAIL F FOR LABEL PLACEMENT

SEE DETAIL S FOR LABEL PLACEMENT

DOCUMENT CONTROL
PRODUCTION RELEASED



RIGHT SIDE VIEW 4 20



REAR VIEW 20

FINAL ASSEMBLY DRAWING
MAXIMUM CONFIGURATION
SEE SEPARATE PARTS LIST

UNLESS OTHERWISE SPECIFIED: DO NOT SCALE DRAWING. DIMENSIONS ARE IN INCHES. INTERPRET DIMENSIONS IN ACCORDANCE WITH ASME Y14.5M-1994. DRAWING TO CONFORM TO TEKELEC SPECIFICATION 907-0169-01. DEBURR AND BREAK SHARP EDGES AND CORNERS .005-.015. MACHINED SURFACE FINISH 125 DECIMAL TOLERANCES: .XX= ±.03 .XXX= ±.010 ANGLE TOLERANCE: ± 1°		THIS DOCUMENT AND THE DATA DISCLOSED HEREIN OR HEREWITH IS PROPRIETARY AND IS NOT TO BE REPRODUCED, USED OR DISCLOSED IN WHOLE OR PART TO ANYONE WITHOUT THE WRITTEN PERMISSION OF TEKELEC. COPYRIGHT TEKELEC 2001.	
APPROVALS		DATE	
DRAWN BY M.BRYAN		12/26/05	
CHECKED H.HASTINGS		3/15/06	
APPROVED BRYAN		3/15/06	
NEXT ASSY	USED ON	APPLICATION	MATERIAL

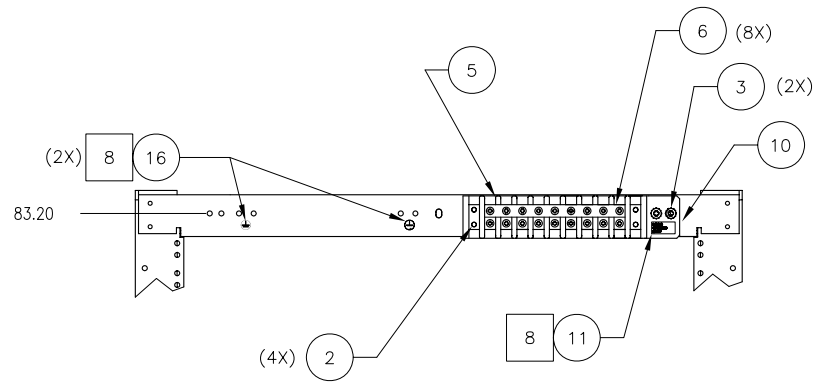
TEKELEC 5200 Paramount Parkway
Morrisville, NC 27560 USA

DWG_GEN_FINAL
ASSY_SCS_T1000 FRAME

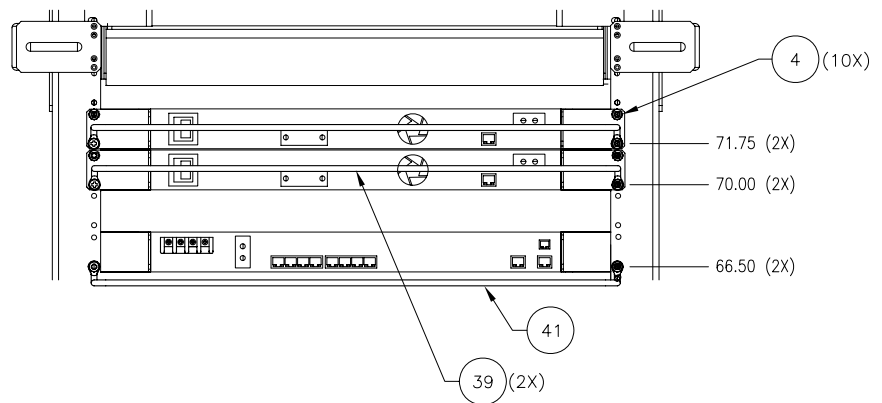
SIZE	DIVISION	DRAWING NO.	REV.
D		890-0092-01	A
SCALE: NONE	FILE NAME: 890-0092-01_REV_A.DWG	SHEET 1	OF 4

8 7 6 5 4 3 2 1

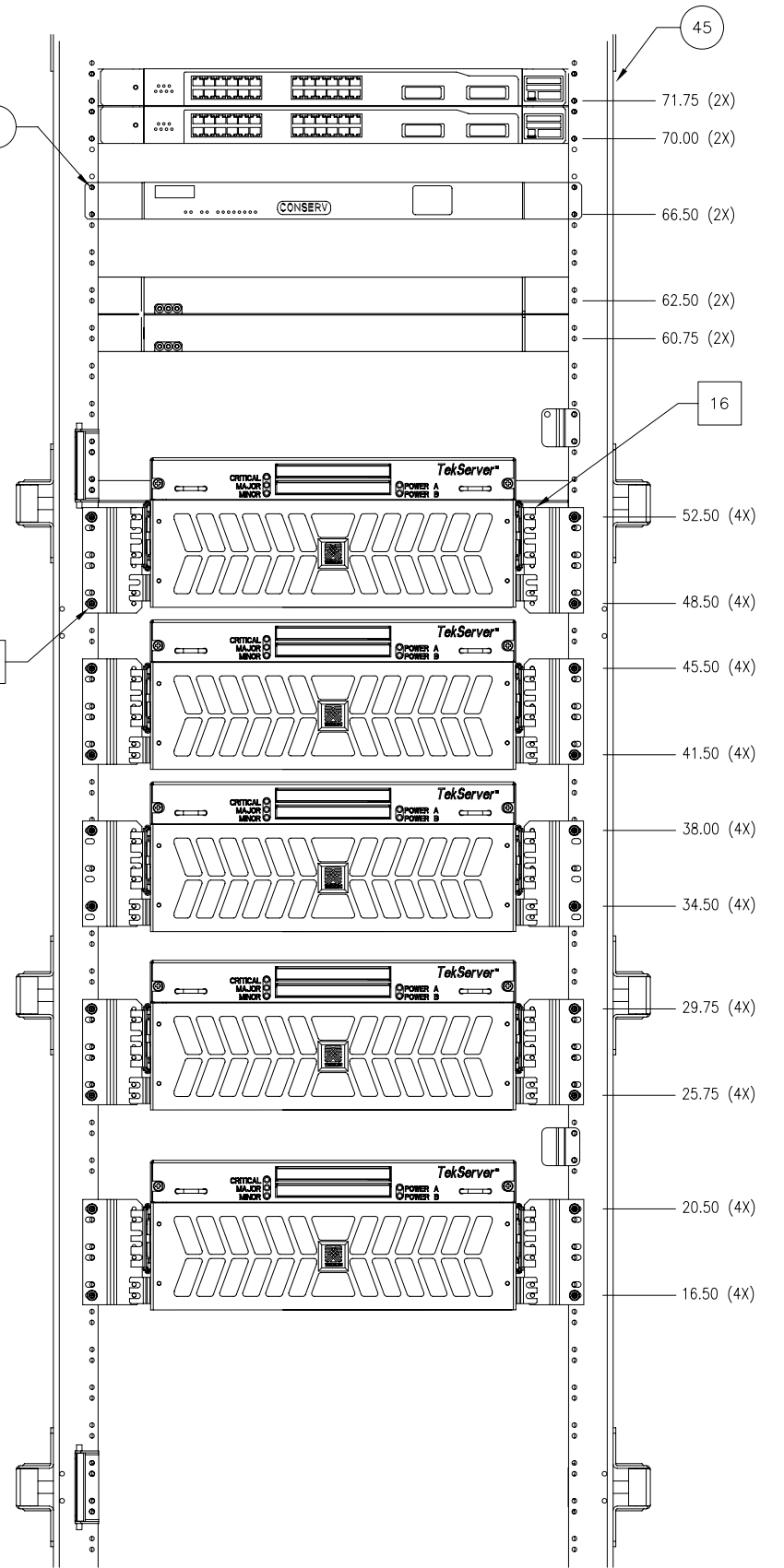
D



LOGIC GROUND STRIP AND FRAME
GROUND LABEL POSITIONS, REAR VIEW
DETAIL A

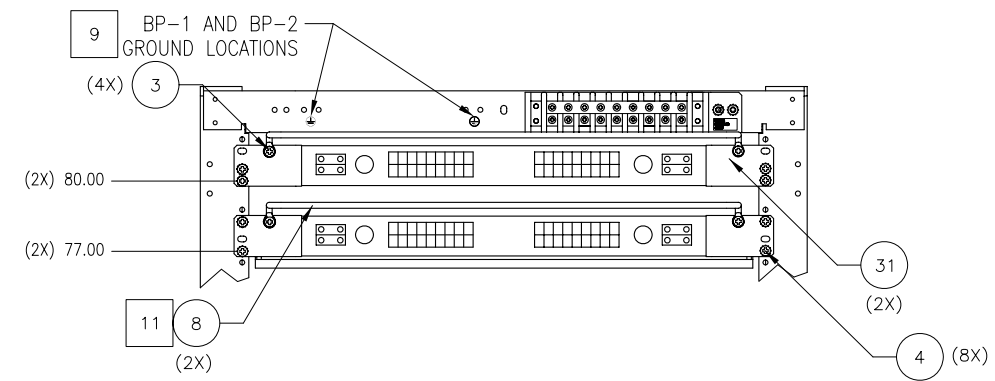


CABLE BRACKET POSITION, REAR VIEW
DETAIL D

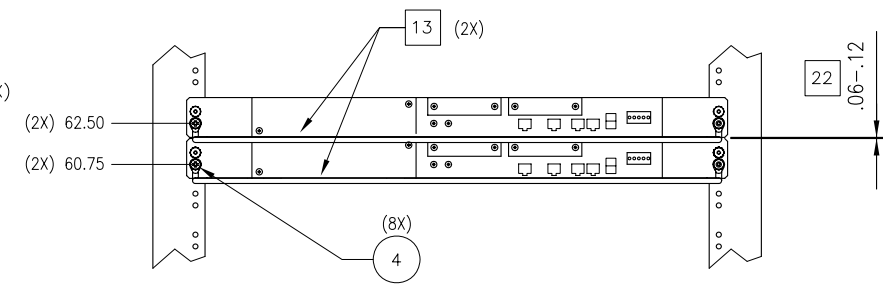


SERVER POSITION, FRONT VIEW
DETAIL E

C



DUAL CIRCUIT BREAKER POSITIONS,
CABLE BRACKET POSITIONS REAR VIEW
DETAIL B

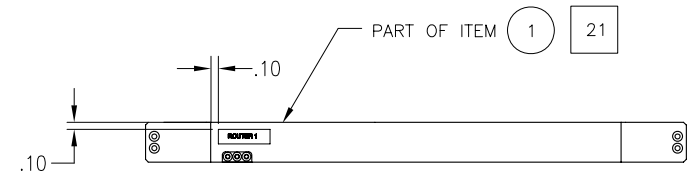


ROUTER POSITIONS, REAR VIEW
DETAIL M

B



AIR DEFLECTOR POSITION, FRONT VIEW
DETAIL C



LABEL POSITION FOR
ROUTERS
DETAIL R

A

D

C

B

A

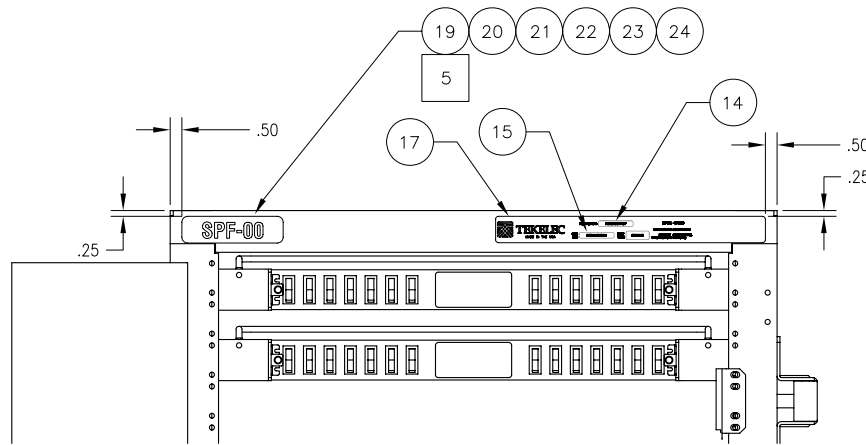
REV. 2 A
890-0092-01

SIZE	DIVISION	DRAWING NO.	REV.
D	CSSG	890-0092-01	A
SCALE: NONE	FILE NAME: 890-0092-01_REV_A.DWG	SHEET 2 OF 4	

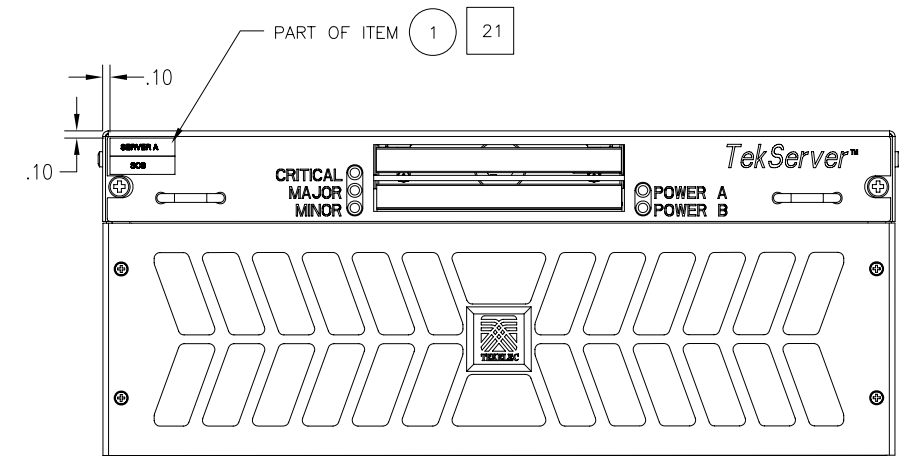
THIS DOCUMENT AND THE DATA DISCLOSED HEREIN OR HEREWITH IS PROPRIETARY AND IS NOT TO BE REPRODUCED, USED OR DISCLOSED IN WHOLE OR PART TO ANYONE WITHOUT THE WRITTEN PERMISSION OF TEXELC. COPYRIGHT TEXELC. 2001.

8 7 6 5 4 3 2 1

D

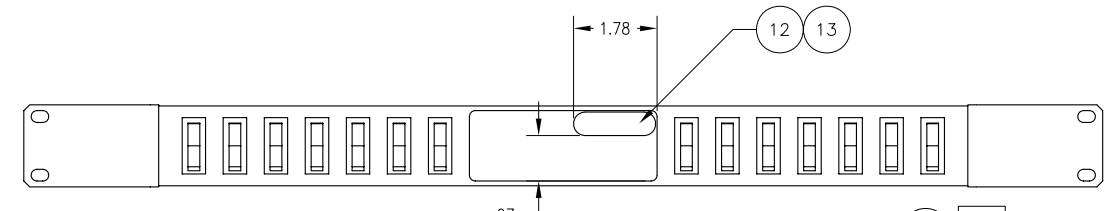


FRAME LABEL
PLACEMENT
DETAIL F

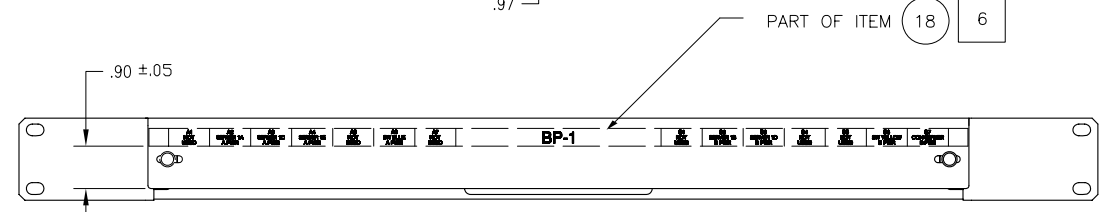


LABEL POSITION FOR
SERVER ID
DETAIL K

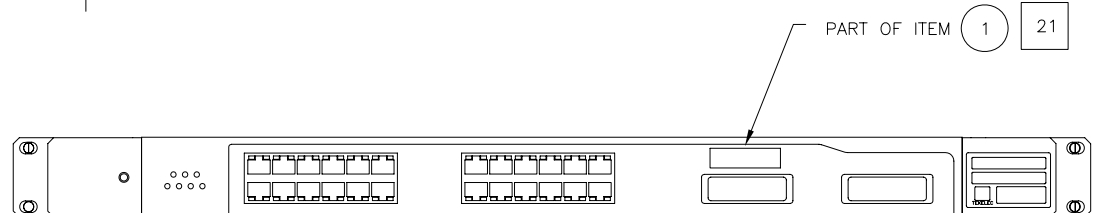
C



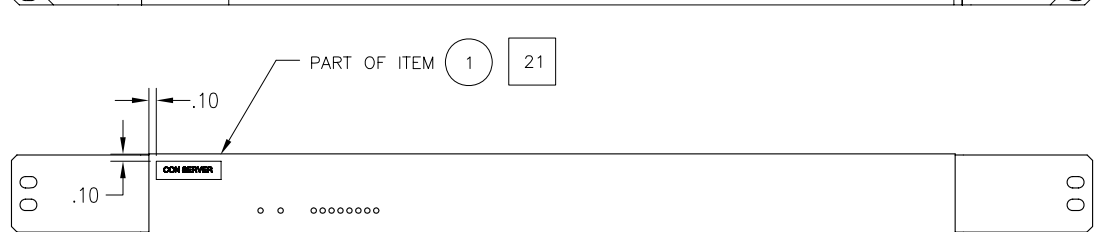
LABEL POSITION
FOR BP ID
DETAIL G
(SHOWN WITHOUT COVER)



LABEL POSITION FOR
BREAKER SWITCHES
DETAIL H



LABEL POSITION FOR
SWITCHES
DETAIL N

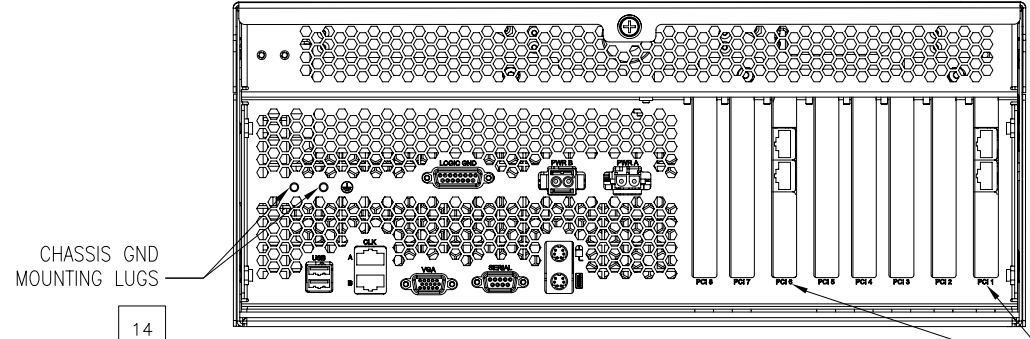


LABEL POSITION FOR
CONSOLE SERVER
DETAIL P

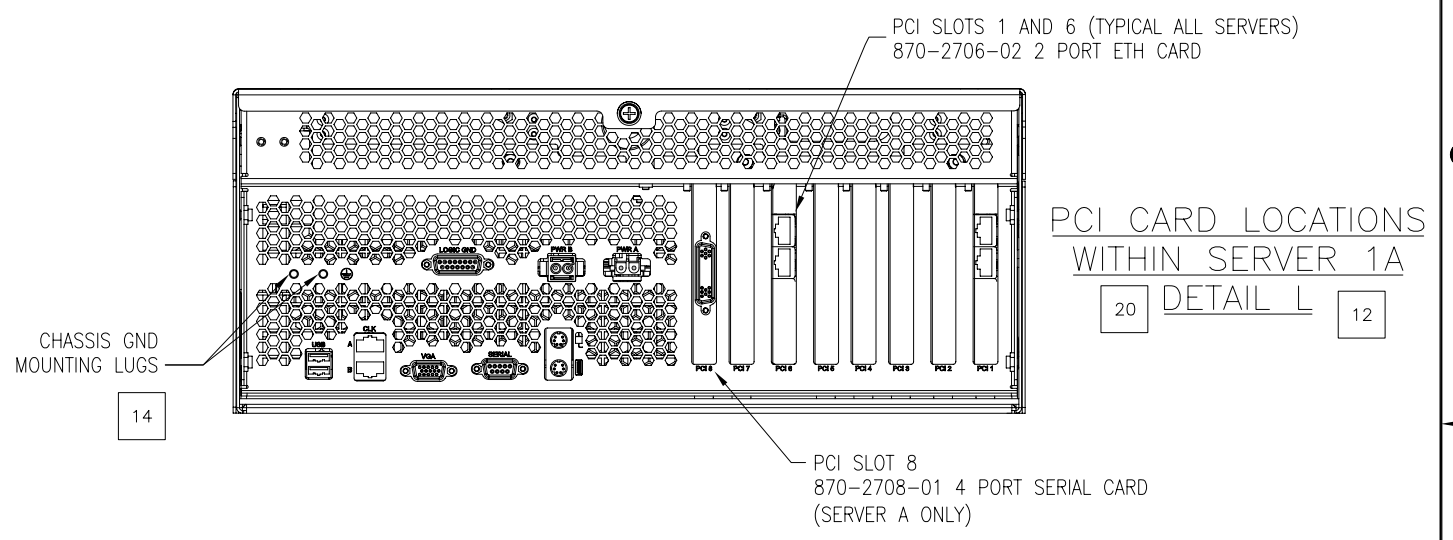
B



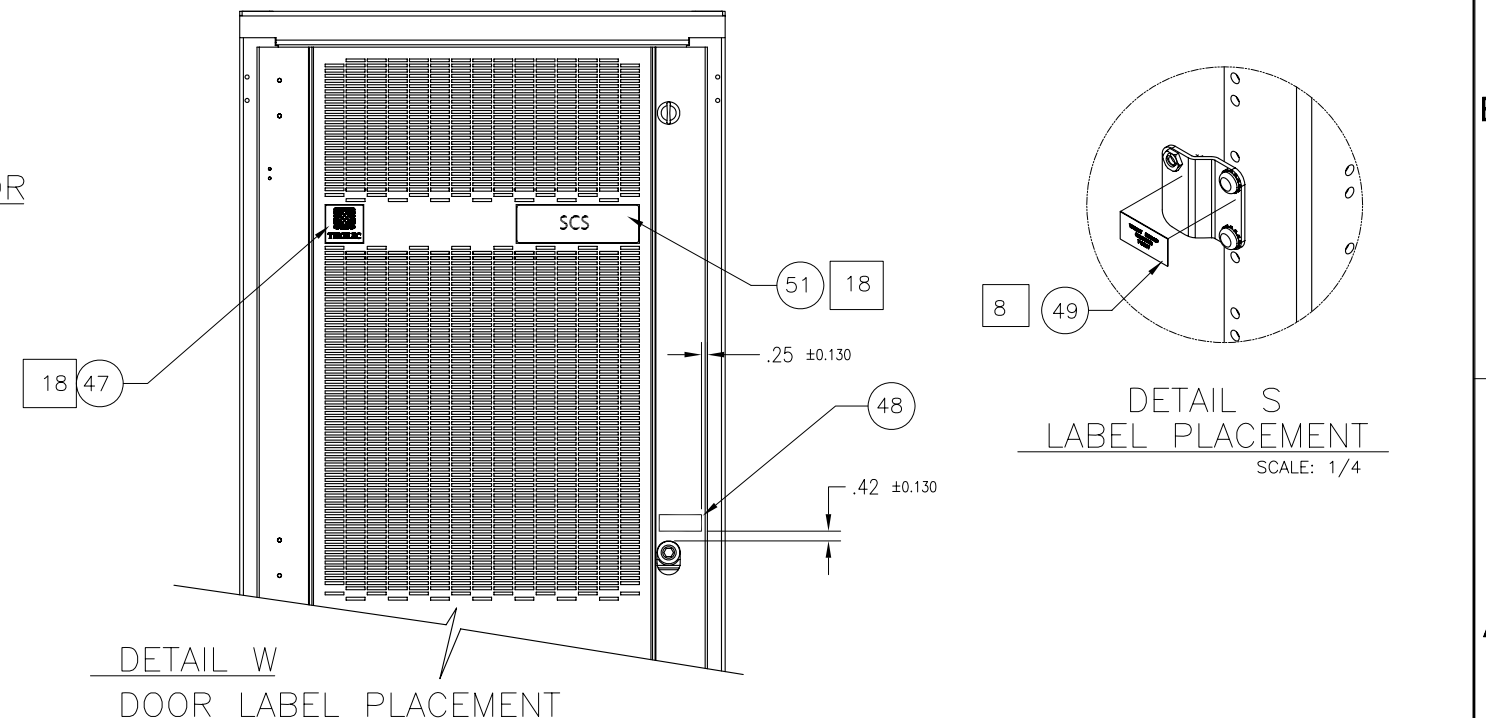
A



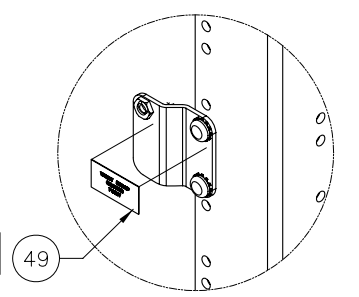
PCI CARD LOCATIONS
WITHIN SERVERS
1B-1E
DETAIL J



PCI CARD LOCATIONS
WITHIN SERVER 1A
DETAIL L



DETAIL W
DOOR LABEL PLACEMENT



DETAIL S
LABEL PLACEMENT
SCALE: 1/4

D

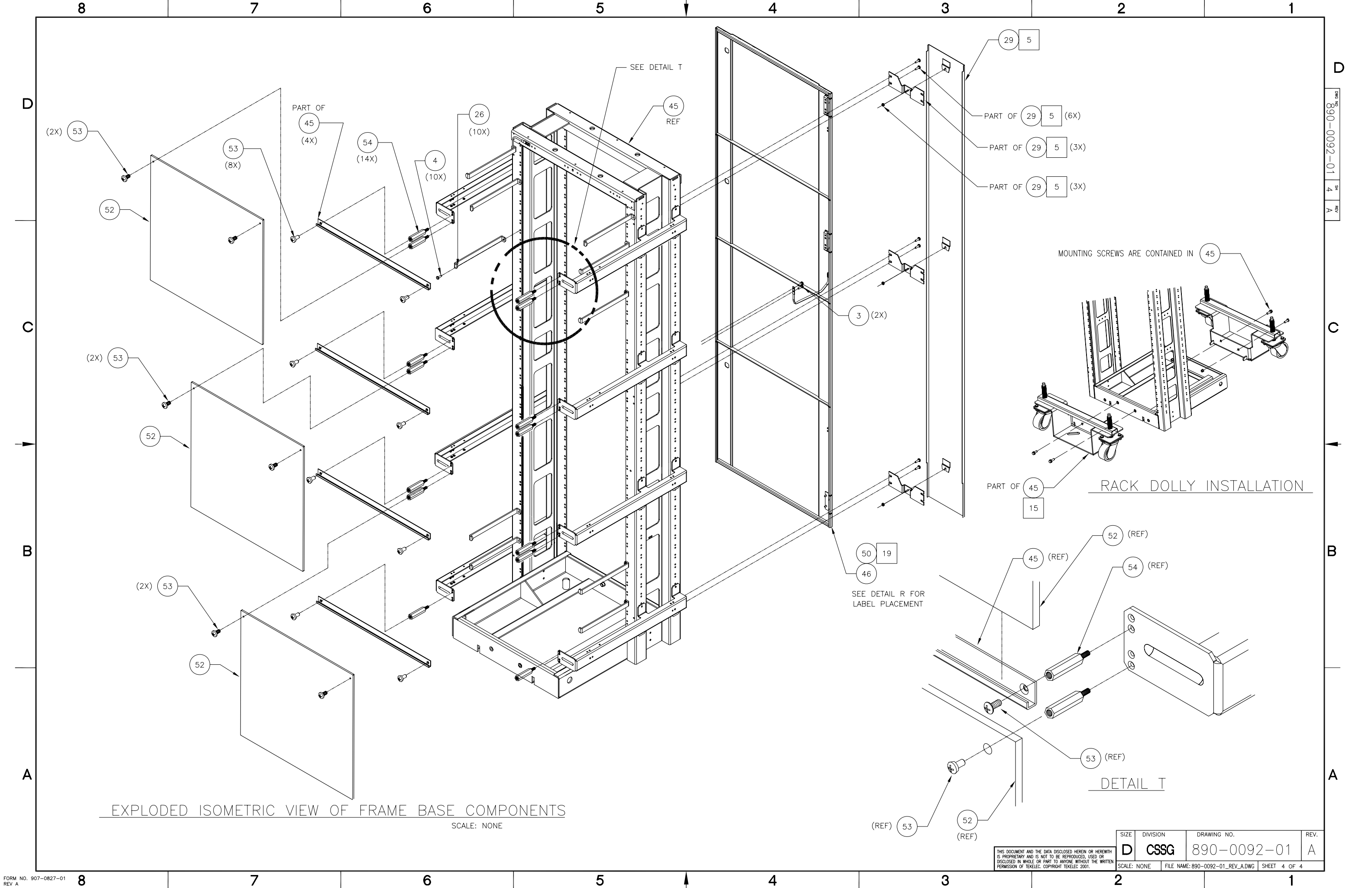
C

B

A

DRAWING NO. 890-0092-01 3 REV A

SIZE	DIVISION	DRAWING NO.	REV.
D	CSSG	890-0092-01	A
SCALE: NONE		FILE NAME: 890-0092-01_REV_A.DWG	SHEET 3 OF 4



DWG NO. 890-0092-01
 4
 A

EXPLODED ISOMETRIC VIEW OF FRAME BASE COMPONENTS

SCALE: NONE

RACK DOLLY INSTALLATION

DETAIL T

SIZE	DIVISION	DRAWING NO.	REV.
D	CSSG	890-0092-01	A
SCALE: NONE		FILE NAME: 890-0092-01_REV_A.DWG	SHEET 4 OF 4