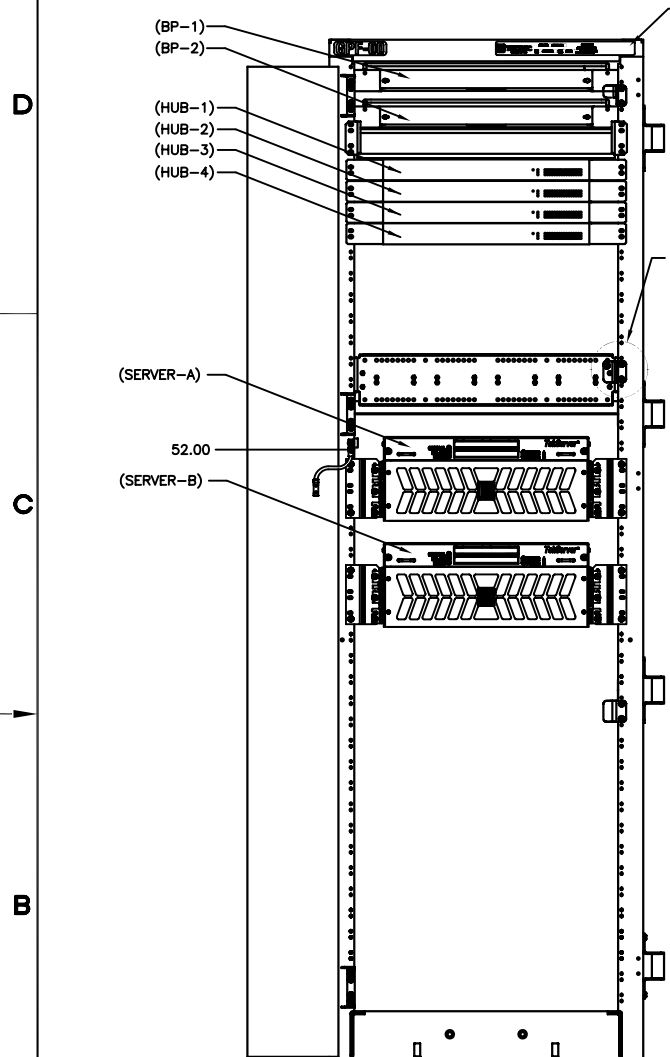
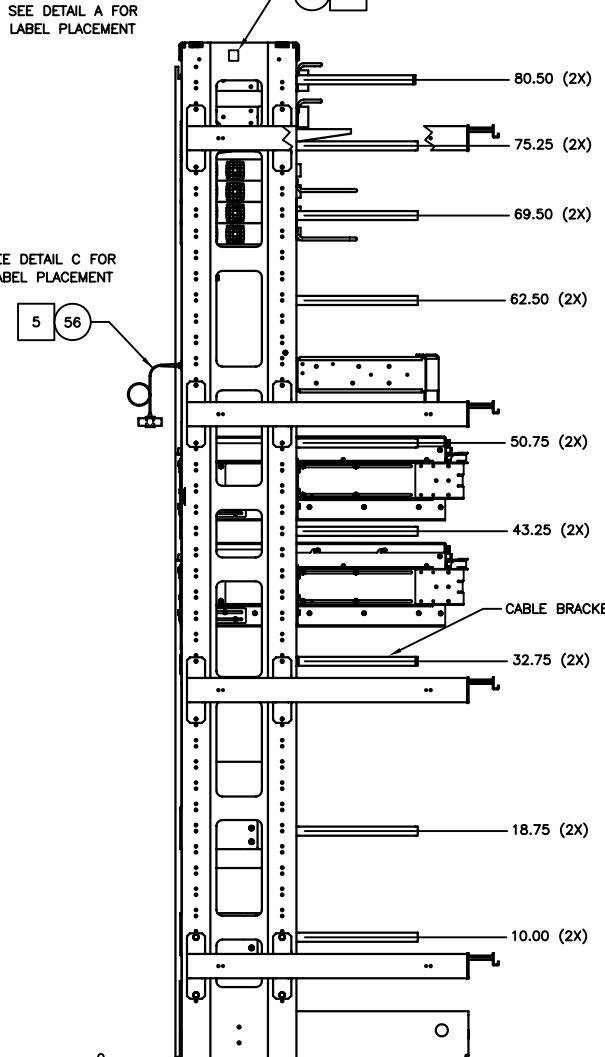


8 7 6 5 4 3 2 1

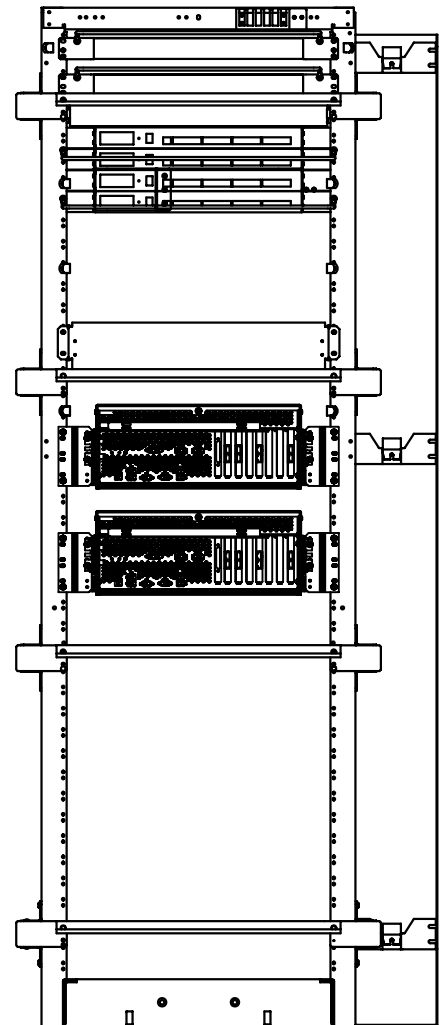
NOTES: UNLESS OTHERWISE SPECIFIED



FRONT VIEW



RIGHT SIDE VIEW



REAR VIEW

REVISIONS			
REV	DESCRIPTION	DATE	APPROVED
A	RELEASE PER ECO #15980	05/31/06	ARMSTRONG
B	REVISED PER ECO# 17538	7/2/07	ARMSTRONG
C	REVISED PER ECO# 18373	3/03/08	ARMSTRONG

DOCUMENT CONTROL  
PRODUCTION RELEASED

- 1) NO ADDITIONS, DELETIONS, SUBSTITUTIONS OR MODIFICATIONS WITHOUT PRIOR WRITTEN TEKELEC APPROVAL.
- 2) TORQUE ALL FASTENERS IN ACCORDANCE WITH TEKELEC SPECIFICATION 906-0008-01.
- 3 REFER TO SHEET 3, DETAIL B.
- 4 FOR LOCATING INDIVIDUAL PARTS, USE DIMENSION SHOWN.
- 5 DO NOT INSTALL. SHIP UNASSEMBLED AND PACKED WITH UNIT.
- 6 LABEL SHOWN IS HALF OF ITEM 34. POSITION HORIZONTALLY AS SHOWN.
- 7) REFER TO INTERCONNECT DIAGRAM (ITEM 51) FOR LOCATION OF CABLES. CABLES (EXCEPT ITEM 35) NOT SHOWN. USE CABLE TIE MOUNT (ITEM 55) FOR CABLE ROUTING, QUANTITY AS REQUIRED.
- 8 LOCATE APPROXIMATELY AS SHOWN.

- 9 A QUANTITY OF 8 SCREWS (ITEM 3) ARE NEEDED TO ATTACH THE GROUND CABLES FOR THE CIRCUIT BREAKERS AND THE HUBS TO THE FRAME. THESE SCREWS ARE NOT SHOWN.
- 10 SHOWN WITH REAR NEBS PANELS (ITEM 13) REMOVED FOR CLARITY.
- 11 MOUNT STRAIN RELIEF BRACKET (ITEM 10) ON TOP OF BREAKER PANEL BRACKET AT THIS POSITION, USING ITEM 3 SCREWS AS SHOWN.
- 12 DELETED
- 13 REFER TO FRONT VIEW (SHEET 1) FOR MODULE IDENTIFICATION AND LOCATION.
- 14) UNLESS OTHERWISE SPECIFIED, ITEMS NOT SHOWN TO BE SHIPPED PACKED WITH UNIT EXCEPT FOR ITEMS WITH BOM QUANTITY OF 0 (REFERENCE DOCUMENTS).
- 15 RACK DOLLY, FOR SHIPPING ONLY. TO BE REMOVED DURING INSTALLATION.
- 16 SLIDES AND MOUNTING SCREWS ARE PART OF SLIDE MOUNTING KIT, PART NUMBER 804-1706-XX, SALES ORDER ITEM.
- 17 MODEM CARD, 870-2707-01, SALES ORDER LINE ITEM.

- 18 INSTALL PCI CARDS (SHOWN) AND HARD DRIVES (870-2721-02, NOT SHOWN, SALES ORDER LINE ITEM) PER SUB-ASSEMBLY INSTRUCTIONS IN TEKSERVER (870-2640-01, SALES ORDER LINE ITEM) ASSEMBLY DOCUMENTS.
- 19 PART OF SLIDE MOUNTING KIT, SALES ORDER ITEM. QUANTITIES SHOWN ARE FOR ONE TEKSERVER MOUNTING.

- 20 SERIAL EXPANSION CARD, 870-2708-01, SALES ORDER LINE ITEM.
- 21 ETHERNET CARD, 870-2706-XX, SALES ORDER LINE ITEM.
- 22 REMOVE ADHESIVE BACKING AND ATTACH LABEL IN RECESSED AREA.
- 23 OPERATING KEY (ITEM 73) NOT SHOWN. KEY TO BE PACKAGED AND SHIPPED WITH ASSEMBLY.

FINAL ASSEMBLY DRAWING  
MAXIMUM CONFIGURATION  
SEE SEPARATE PARTS LIST

TABULATION BLOCK			
PART NO.	APPLICATION		
890-1801-01	HEAVY DUTY FRAME FOR TEKSERVERS MPS		
5200 Paramount Parkway Morrisville, NC 27560			
ROHS 5/6_GEN DWG_HD FRAME_MPS W/TEKSERVER			
SIZE	DIVISION	DRAWING NO.	REV.
D	GFS	890-1384-03	C
SCALE: 1/6 FILE NAME: 890-1384-03_REV_C.DWG SHEET 1 OF 5			

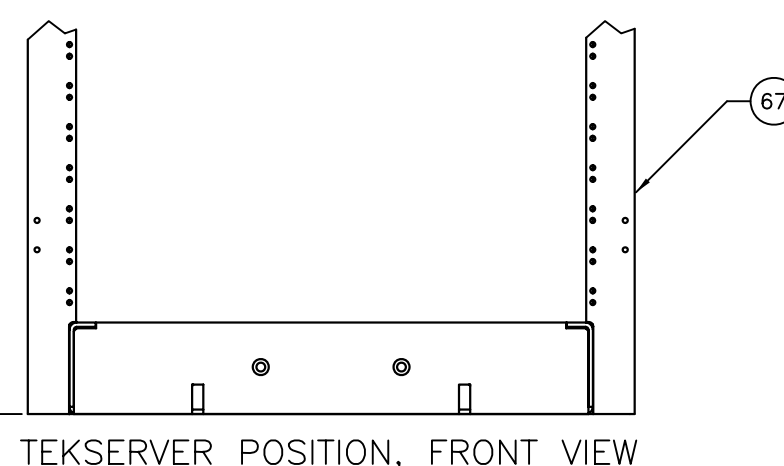
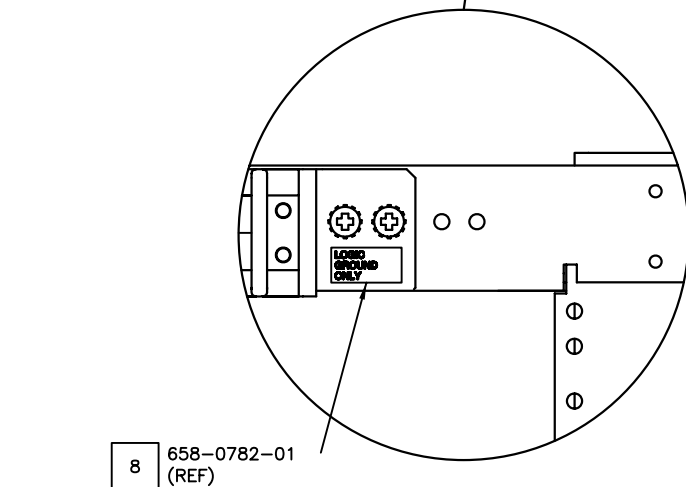
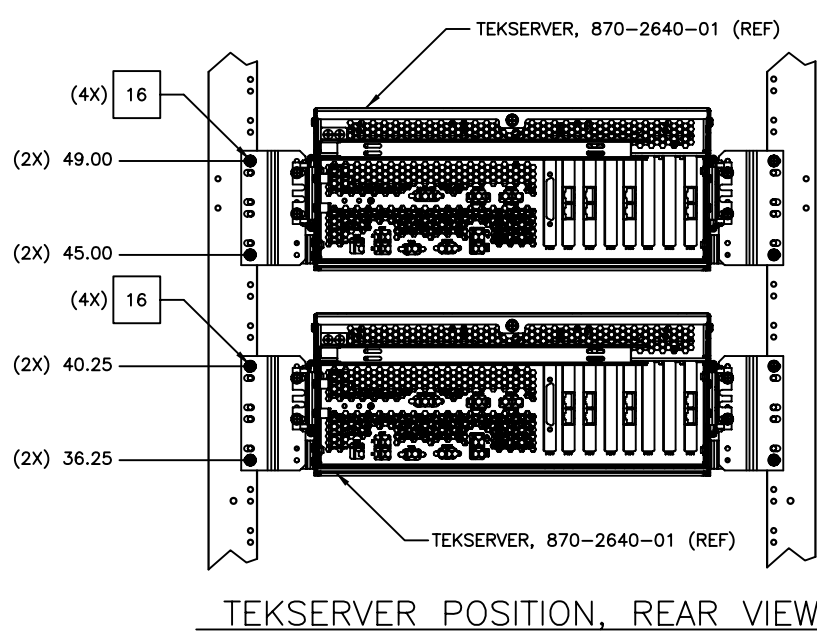
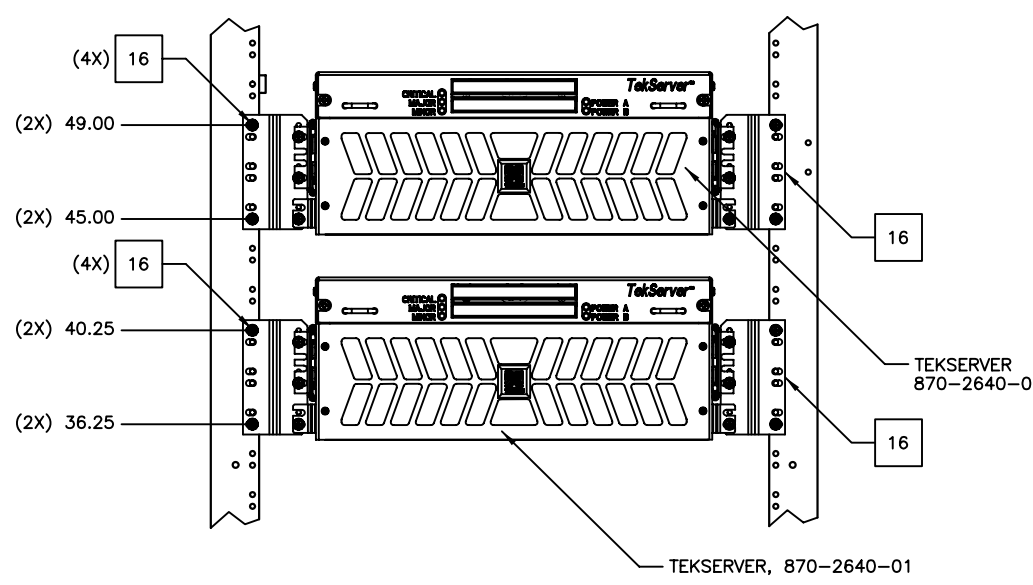
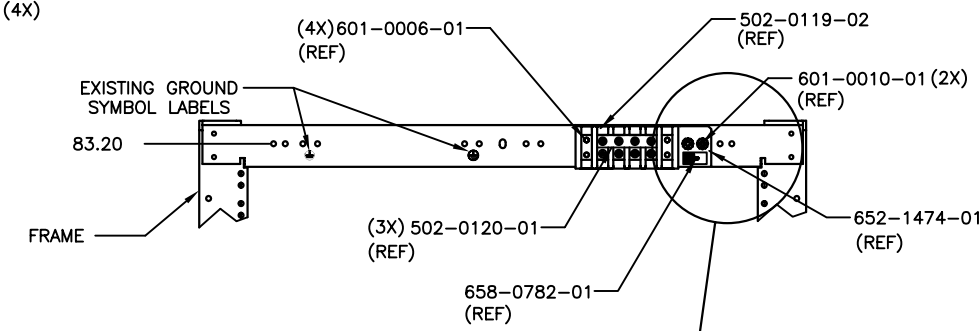
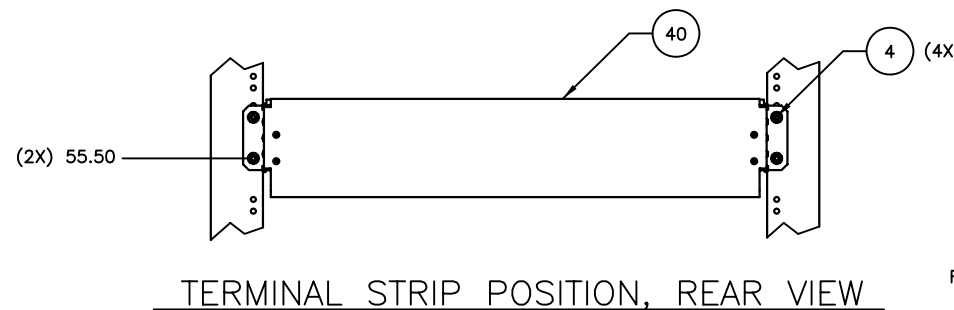
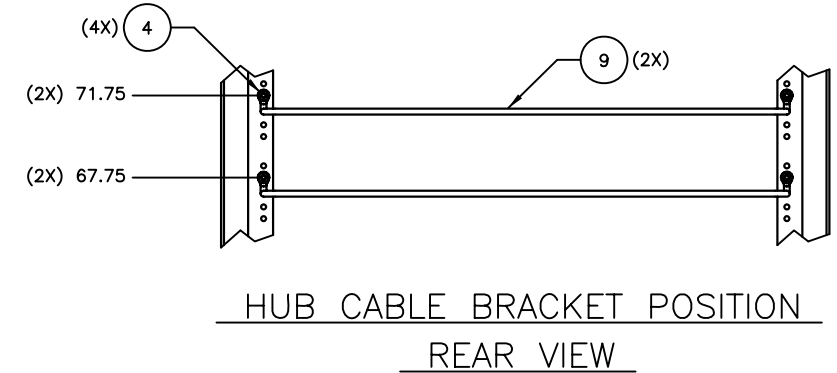
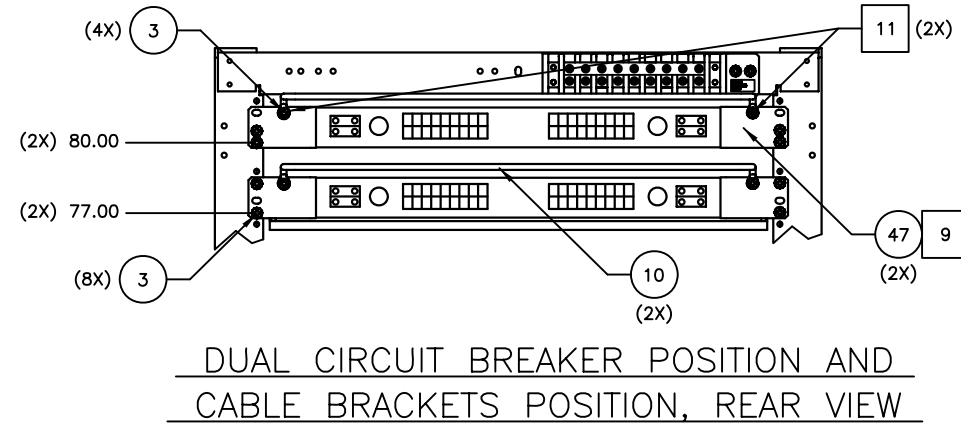
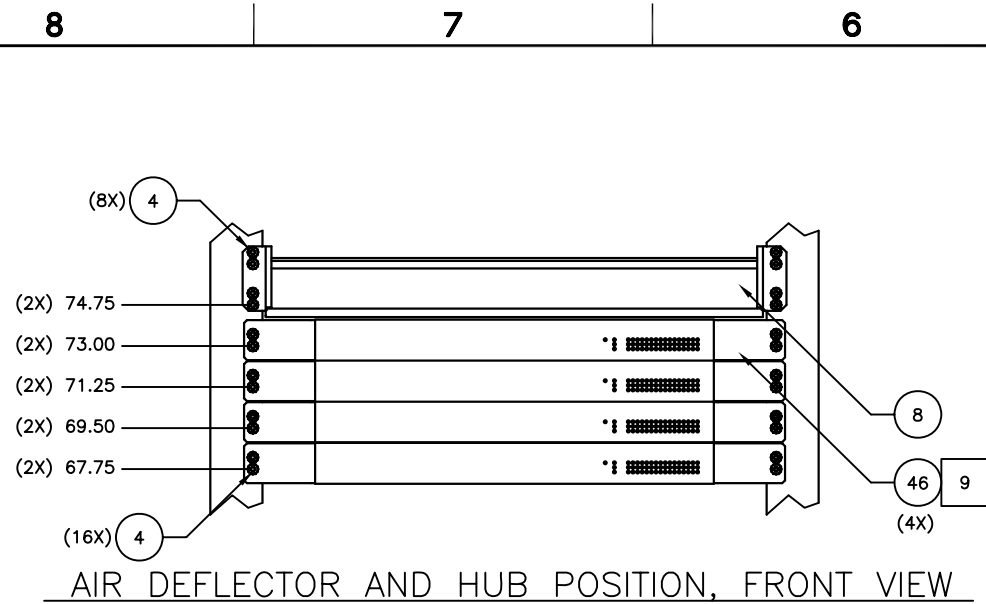
UNLESS OTHERWISE SPECIFIED:  
DO NOT SCALE DRAWING.  
DIMENSIONS ARE IN INCHES.  
INTERPRET DIMENSIONS IN ACCORDANCE WITH ASME Y14.5M-1994.  
DRAWING TO CONFORM TO TEKELEC SPECIFICATION 907-0169-01.  
DEBURY AND BREAK SHARP EDGES AND CORNERS J005-015.  
MACHINED SURFACE FINISH: 320µ ±.02 320µ ±.005  
ANGLE TOLERANCE: ± 1°

APPROVALS	DATE
DRAWN BY P. STRAYER	5/19/06
CHECKED	
APPROVED J. ARMSTRONG	5/19/06
MATERIAL	

THIS DOCUMENT AND THE DATA DISCLOSED HEREIN OR HEREIN IS PROPRIETARY AND IS NOT TO BE REPRODUCED, USED OR DISCLOSED IN WHOLE OR PART TO ANYONE WITHOUT THE WRITTEN PERMISSION OF TEKELEC. COPYRIGHT TEKELEC 2007.



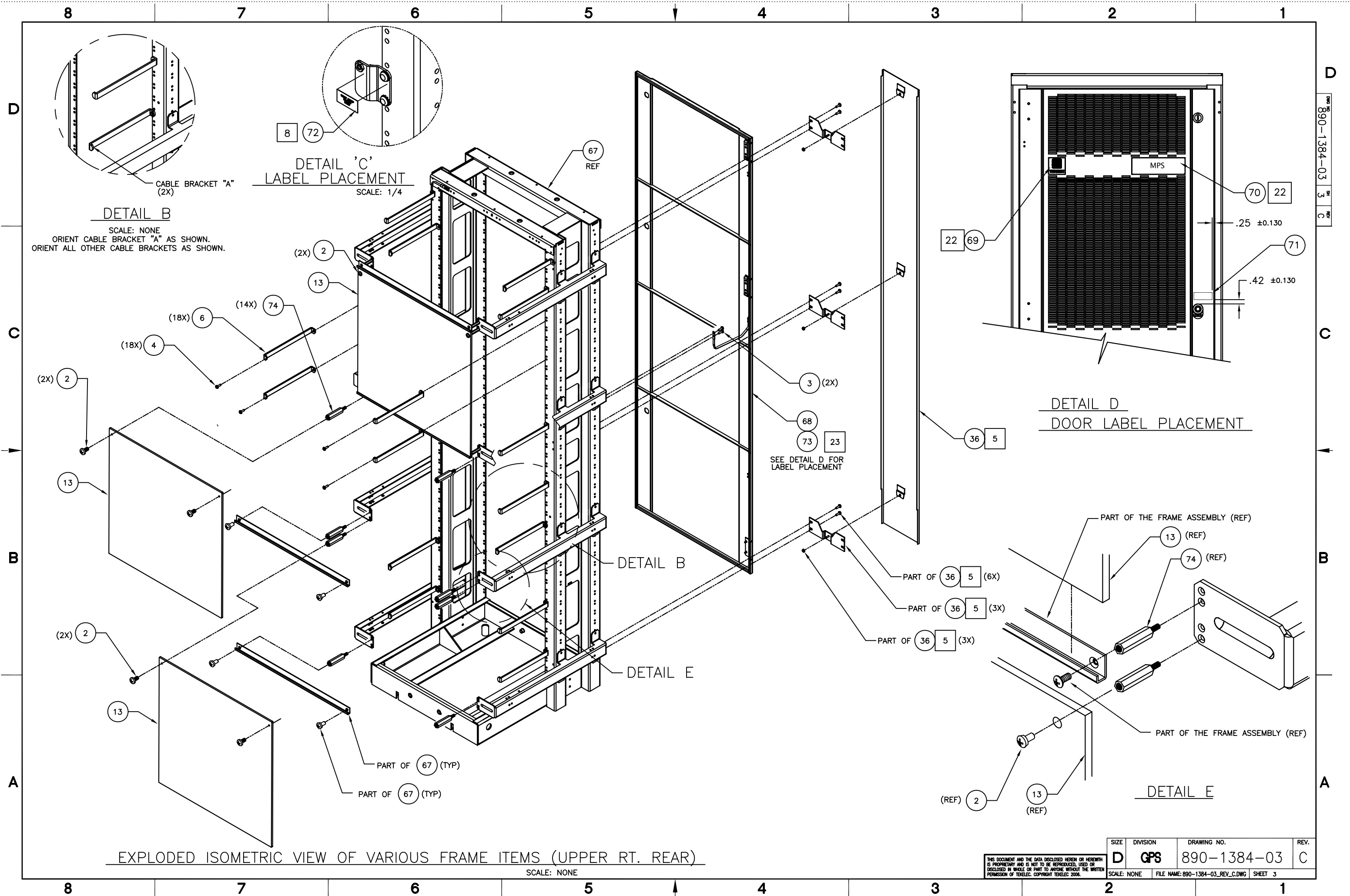
8 7 6 5 4 3 2 1



LOGIC GROUND STRIP POSITION, REAR VIEW  
(REF. ITEMS SHOWN ARE PART OF KIT 840-1134-01, ITEM 66)

SIZE	DIVISION	DRAWING NO.	REV.
D	GPS	890-1384-03	C
SCALE: NONE		FILE NAME: 890-1384-03_REV_C.DWG	SHEET 2

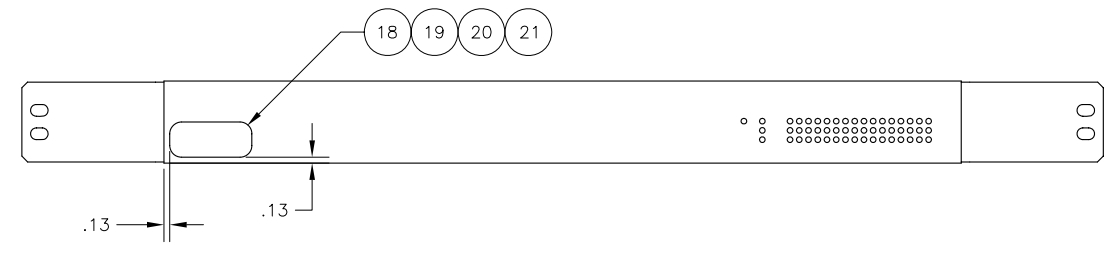
THIS DOCUMENT AND THE DATA DISCLOSED HEREIN OR HEREWITH IS PROPRIETARY AND IS NOT TO BE REPRODUCED, USED OR DISCLOSED IN WHOLE OR PART TO ANYONE WITHOUT THE WRITTEN PERMISSION OF TEKLOG. COPYRIGHT TEKLOG, 2006.



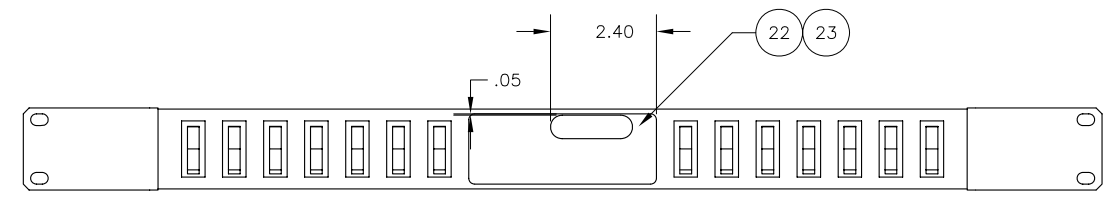
SIZE	DIVISION	DRAWING NO.	REV.
D	GPS	890-1384-03	C
SCALE: NONE		FILE NAME: 890-1384-03_REV_C.DWG	SHEET 3

8 7 6 5 4 3 2 1

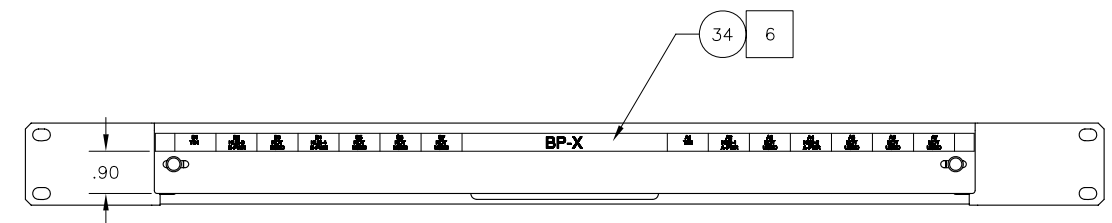
D



MODULE ID LABEL POSITION FOR HUBS 13



MODULE ID LABEL POSITION FOR BREAKER PANELS (SHOWN WITHOUT FRONT COVER) 13

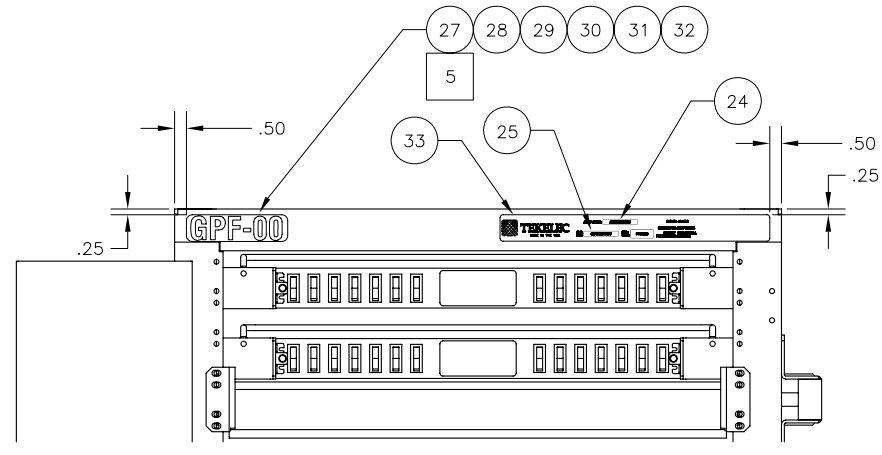


SWITCH LABEL POSITION FOR BREAKER PANELS

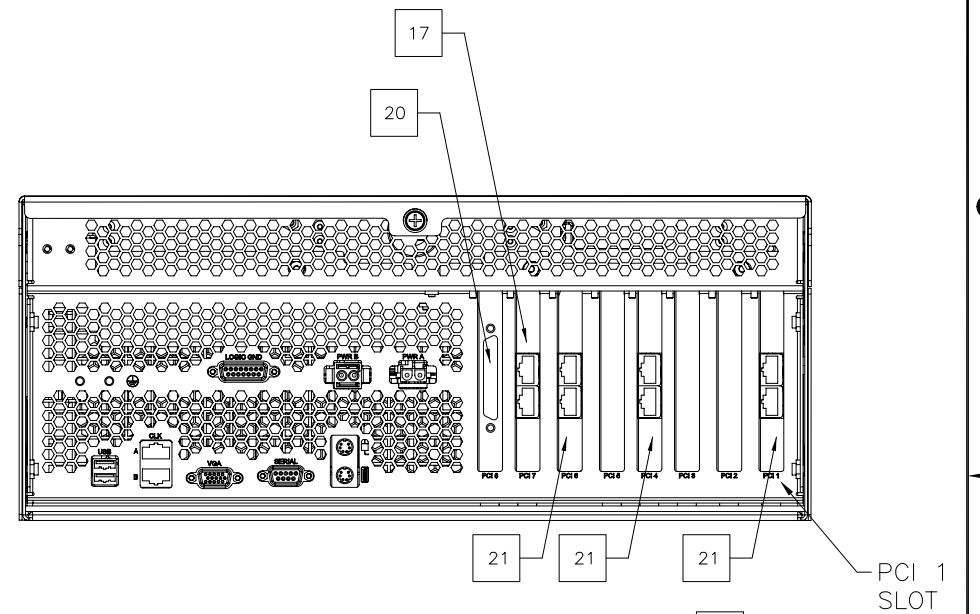
C

B

A

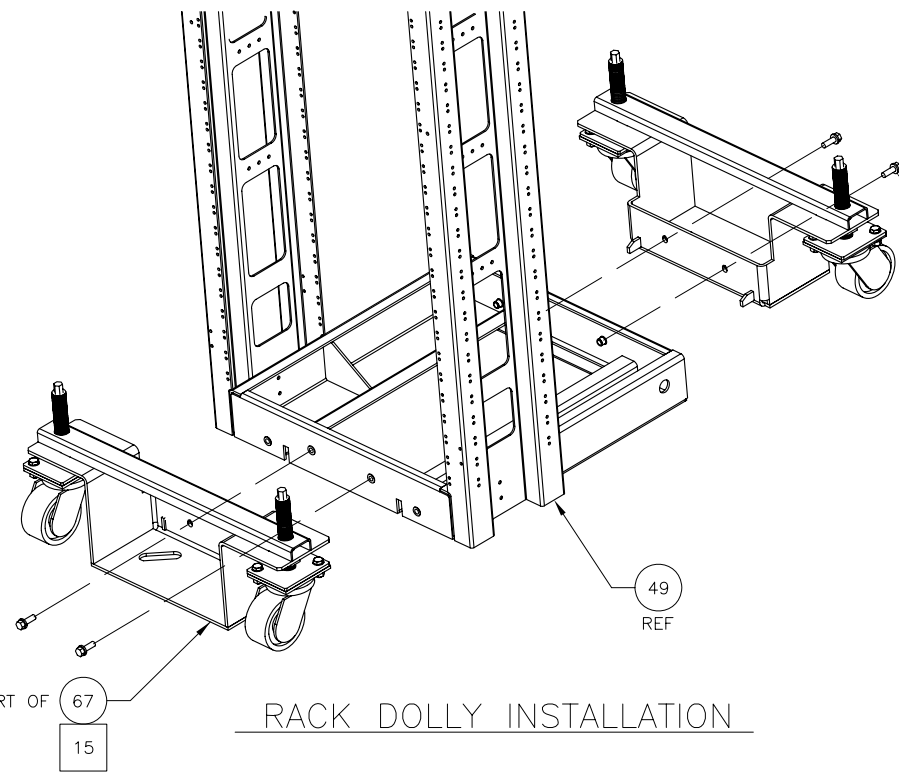


DETAIL 'A' LABEL PLACEMENT SCALE: 1/4



PCI CARD LOCATIONS WITHIN TEKSERVER ASSEMBLY 18

MOUNTING SCREWS ARE CONTAINED IN 67



RACK DOLLY INSTALLATION

D

C

B

A

DWG NO. 890-1384-03  
 4  
 REV. C

8 7 6 5 4 3 2 1

SIZE	DIVISION	DRAWING NO.	REV.
D	GPS	890-1384-03	C
SCALE: NONE		FILE NAME: 890-1384-03_REV_C.DWG	SHEET 4

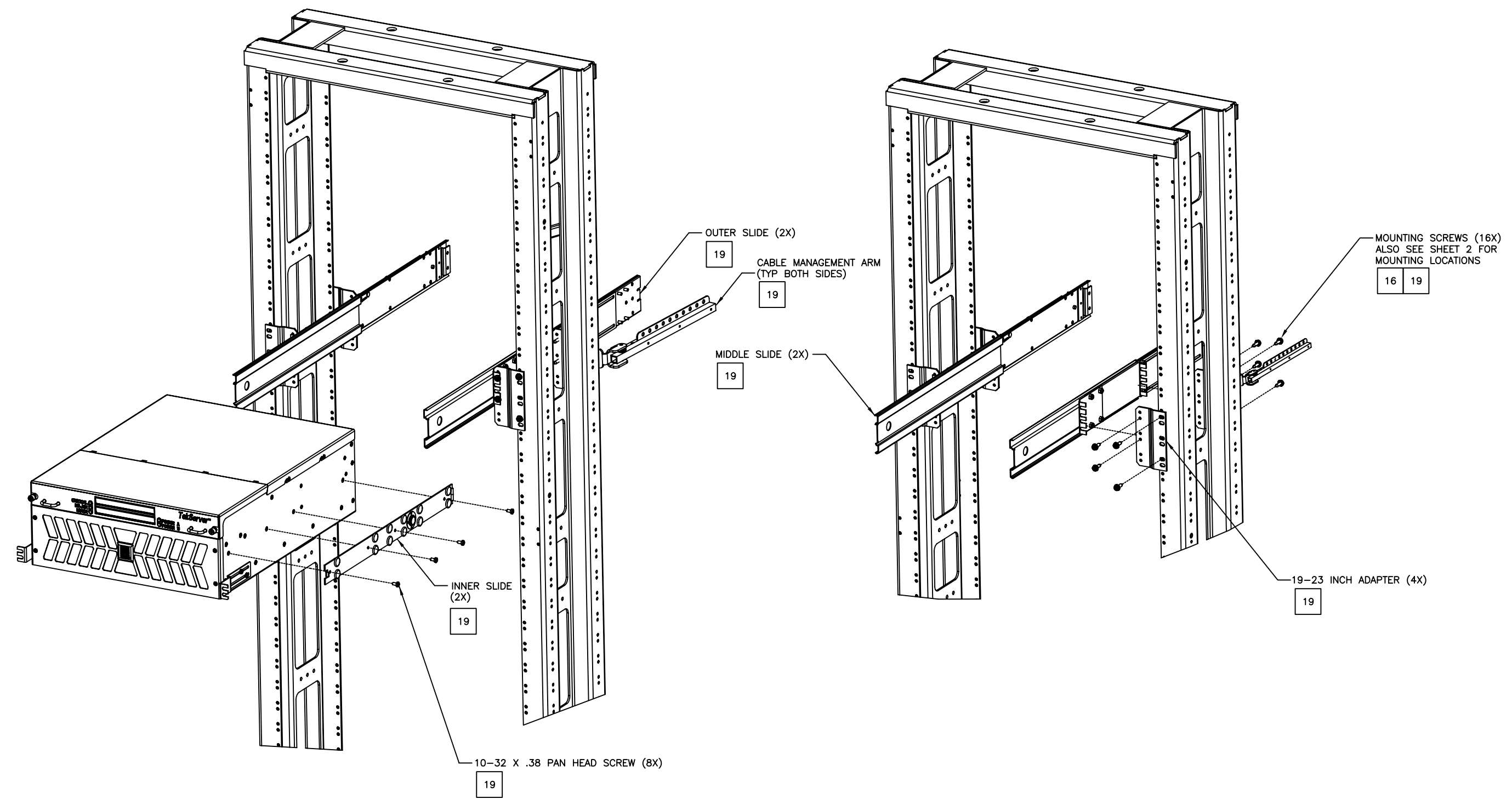
THIS DOCUMENT AND THE DATA DISCLOSED HEREIN OR HEREWITH IS PROPRIETARY AND IS NOT TO BE REPRODUCED, USED OR DISCLOSED IN WHOLE OR PART TO ANYONE WITHOUT THE WRITTEN PERMISSION OF TEKELC. COPYRIGHT TEKELC 2006.

8 7 6 5 4 3 2 1

D  
C  
B  
A

D  
C  
B  
A

890-1384-03 5 C



TEKSERVER SLIDE MOUNTING VIEW

8 7 6 5 4 3 2 1

SIZE	DIVISION	DRAWING NO.	REV.
D	GPS	890-1384-03	C
SCALE: NONE		FILE NAME: 890-1384-03_REV_C.DWG	SHEET 5

THIS DOCUMENT AND THE DATA DISCLOSED HEREIN OR HEREWITH IS PROPRIETARY AND IS NOT TO BE REPRODUCED, USED OR DISCLOSED IN WHOLE OR PART TO ANYONE WITHOUT THE WRITTEN PERMISSION OF TEKLOGIC. COPYRIGHT TEKLOGIC 2006.