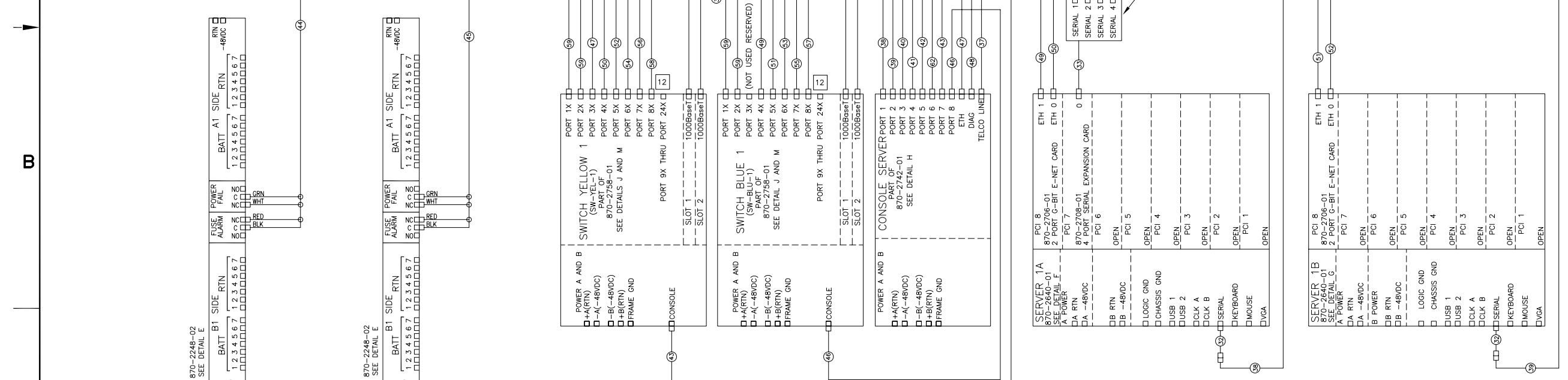


NOTES: UNLESS OTHERWISE SPECIFIED

- 1) INSTALL ALL CABLE ASSEMBLIES WITH DRESSED BEND RADII IN ACCORDANCE WITH TEKELEC CABLE BEND RADIUS SPECIFICATION 906-0020-01.
- 2) ALL INTERCONNECTION POINTS SHALL BE STRAIN RELIEVED BY POSITIVE MECHANICAL FEATURES OR FASTENERS FOR LENGTH CONFIGURATIONS.
- 3) THIS DIAGRAM AND ALL PART NUMBERS SHOWN ARE FOR REFERENCE ONLY. REFERENCE CABLE PART NUMBERS WITH XX FOR THE DASH NUMBER ARE LENGTHS THAT ARE SITE SPECIFIC.
- 4) NO ADDITIONS, DELETIONS, SUBSTITUTIONS OR MODIFICATIONS WITHOUT PRIOR WRITTEN TEKELEC APPROVAL.
- 5) SEE TEKELEC P/N 820-2410-01 FOR CURRENT HARDWARE LIST.
- 6) ALL POWER CABLES ARE CONNECTED WITH THE RED LEAD TO -48VDC TERMINAL AND THE BLACK LEAD TO RETURN TERMINAL.
- 7) -48 VDC, RTN, AND GND PRIMARY CABLING EXITING THE FRAME SHALL BE 6 AWG. SEE TABLES D, E AND F FOR LENGTH CONFIGURATIONS.
- 8) 4-PORT SERIAL CABLE, SUPPLIED WITH PCI SERIAL CARD. PORT NUMBERS 1 THRU 4 ARE LOCATED ON THE FOUR DB-9 CONNECTORS. PORT 0 IS THE DB-44 CONNECTOR THAT INTERFACES WITH THE PCI SERIAL CARD.
- 9) USE LABEL PN 617-0009-01 TO MAKE LABEL SET FOR FROM AND TO ON CABLES INDICATED IN TABLES A, B, G, H, J & K. EACH CABLE INDICATED WILL REQUIRE 2 LABELS ONE AS SHOWN IN THE TABLES AND ONE WITH FROM AND TWO REVERSED AS SHOWN IN DETAIL K. PERMANENTLY PRINT LABELS WITH .09 HIGH BLACK CHARACTERS. CENTER TEXT APPROXIMATELY AS SHOWN. MAX 23 CHARACTERS PER LINE. SEE DETAIL L FOR PLACEMENT OF LABELS ON CABLES. CABLES IDENTIFIED AS FIELD LABEL WILL BE LABELED AT INSTALLATION.
- 10) FRAME LABEL KITS PN 840-1137-02 AND 840-1137-03 CONTAIN A QUANTITY OF 4 GBIC MODULES. WHEN EXPANDING TO THE SECOND OR THIRD FRAME THE SWITCHES REQUIRE AN GBIC MODULE IN EACH SWITCH (SEE SHEET 2 DIAGRAM "A").
- 11) THE SECOND AND THIRD FRAME WILL NOT CONNECT TO THE CUSTOMERS NETWORK THE ONLY CONNECTION TO THE CUSTOMERS NETWORK WILL BE THROUGH FRAME 1. (SEE SHEET 2 DIAGRAM "A").



12) ESP SYSTEM USE PORTS 9X-17X FOR THE LINK CABLES (ITEM 60) TO CONNECT TO EAGLE. THIS IS TYPICAL FOR BOTH THE 2950 SWITCHES YELLOW AND BLUE. PORTS 18X-24X ARE RESERVED ON THE ESP SYSTEM.  
IMF SYSTEM USE PORTS 9X-24X FOR THE LINK CABLES (ITEM 60) TO CONNECT TO EAGLE. THIS IS TYPICAL FOR BOTH THE 2950 SWITCHES YELLOW AND BLUE.

13) THE CABLE BETWEEN THE YELLOW SWITCH PORT 45 AND BLUE SWITCH PORT 45 IS PART OF 840-0181-01 REDUNDANT WAN KIT AND IS A ORDERABLE OPTION.

| REVISIONS |                          |          |           |
|-----------|--------------------------|----------|-----------|
| LTR       | DESCRIPTION              | DATE     | APPROVED  |
| A         | RELEASED PER ECN # 18281 | 02/11/08 | ARMSTRONG |

DOCUMENT CONTROL  
PRODUCTION RELEASED

DATA CONNECTIONS AND CABLES

|                           |                  |
|---------------------------|------------------|
| STANDARD HOLE TOLERANCES: |                  |
| HOLE DIA                  | TOLERANCES       |
| .013 THRU .125            | + .004<br>- .001 |
| .126 THRU .250            | + .005<br>- .001 |
| .251 THRU .500            | + .006<br>- .001 |
| .501 THRU .750            | + .008<br>- .001 |
| .751 THRU 1.000           | + .010<br>- .001 |
| 1.001 THRU 2.000          | + .012<br>- .001 |

|                    |          |
|--------------------|----------|
| CONTRACT NO.       |          |
| APPROVALS          | DATE     |
| DRAWN M.BRYAN      | 2/1/08   |
| CHECKED ARMSTRONG  | 02/11/08 |
| APPROVED ARMSTRONG | XXXXX    |
| APPLICATION        |          |
| NEXT ASSY          | USED ON  |
| MATERIAL           |          |

**TEKELEC** 5200 PARAMOUNT PARKWAY  
MORRISVILLE, NC 27560

INTERCONNECT DIAGRAM\_IMF  
T1000 SYSTEM\_IAS 3.0  
REDUNDANT WAN

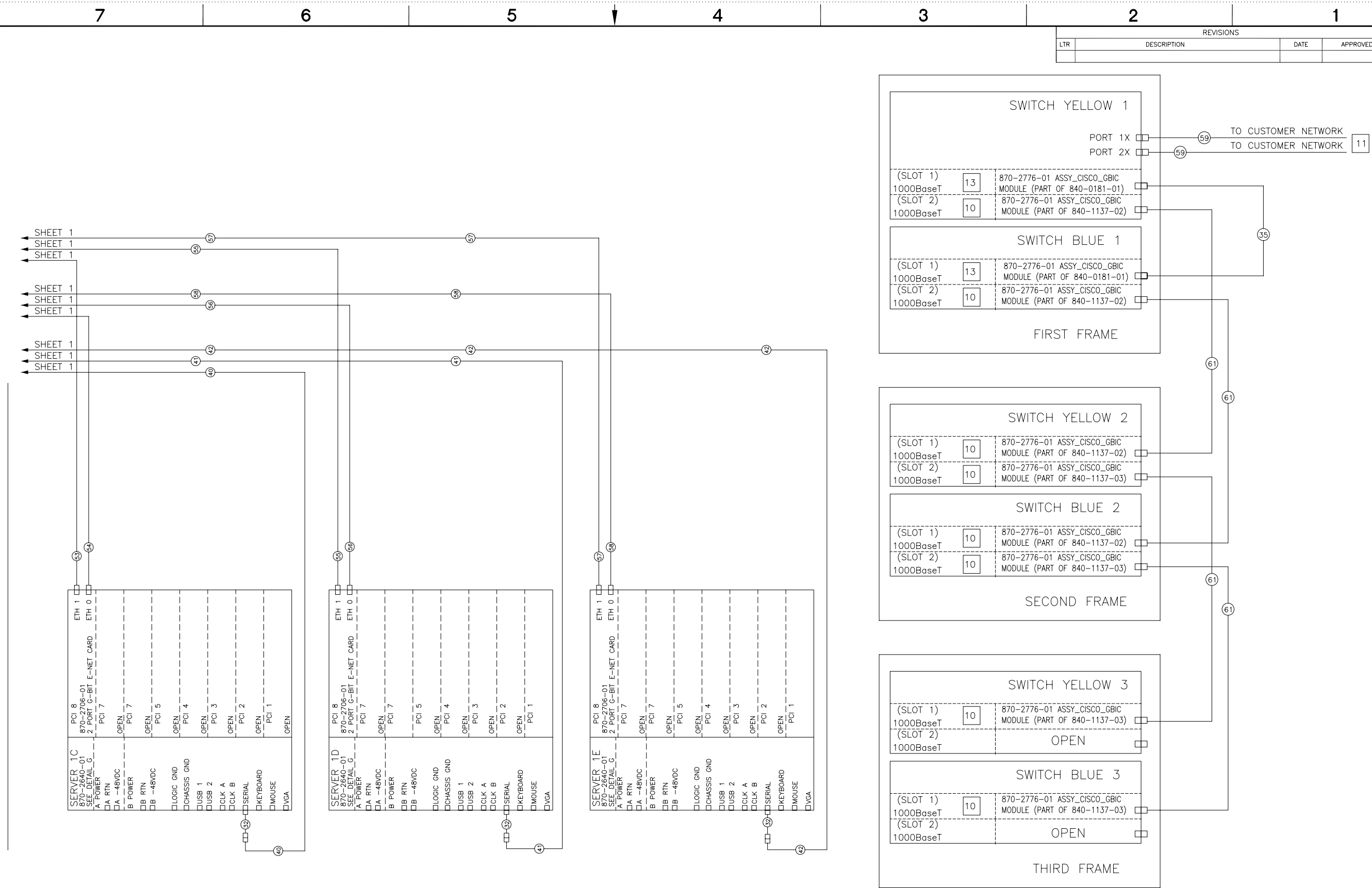
|      |           |             |      |
|------|-----------|-------------|------|
| SIZE | CAGE CODE | DRAWING NO. | REV. |
| D    |           | 892-0057-02 | A    |

SCALE: NONE FILE NAME: SHEET 1 OF 7

THIS DOCUMENT AND THE DATA DISCLOSED HEREIN OR HEREWITH IS PROPRIETARY AND IS NOT TO BE REPRODUCED, USED OR DISCLOSED IN WHOLE OR PART TO ANYONE WITHOUT THE WRITTEN PERMISSION OF TEKELEC. COPYRIGHT, TEKELEC 1996.

892-0057-02 1 1 A

| REVISIONS |             |      |          |
|-----------|-------------|------|----------|
| LTR       | DESCRIPTION | DATE | APPROVED |
|           |             |      |          |



DATA CONNECTIONS AND CABLES

DIAGRAM "A"  
1500 LINK INTERCONNECTION  
(NOT APPLICABLE FOR PMF SYSTEMS)

|      |           |             |      |
|------|-----------|-------------|------|
| SIZE | CAGE CODE | DRAWING NO. | REV. |
| D    |           | 892-0057-02 | A    |

THIS DOCUMENT AND THE DATA DISCLOSED HEREIN OR HEREWITH IS PROPRIETARY AND IS NOT TO BE REPRODUCED, USED OR DISCLOSED IN WHOLE OR PART TO ANYONE WITHOUT THE WRITTEN PERMISSION OF TEKELEC. COPYRIGHT, TEKELEC 1996.

SCALE: NONE FILE NAME: SHEET 2 OF 7

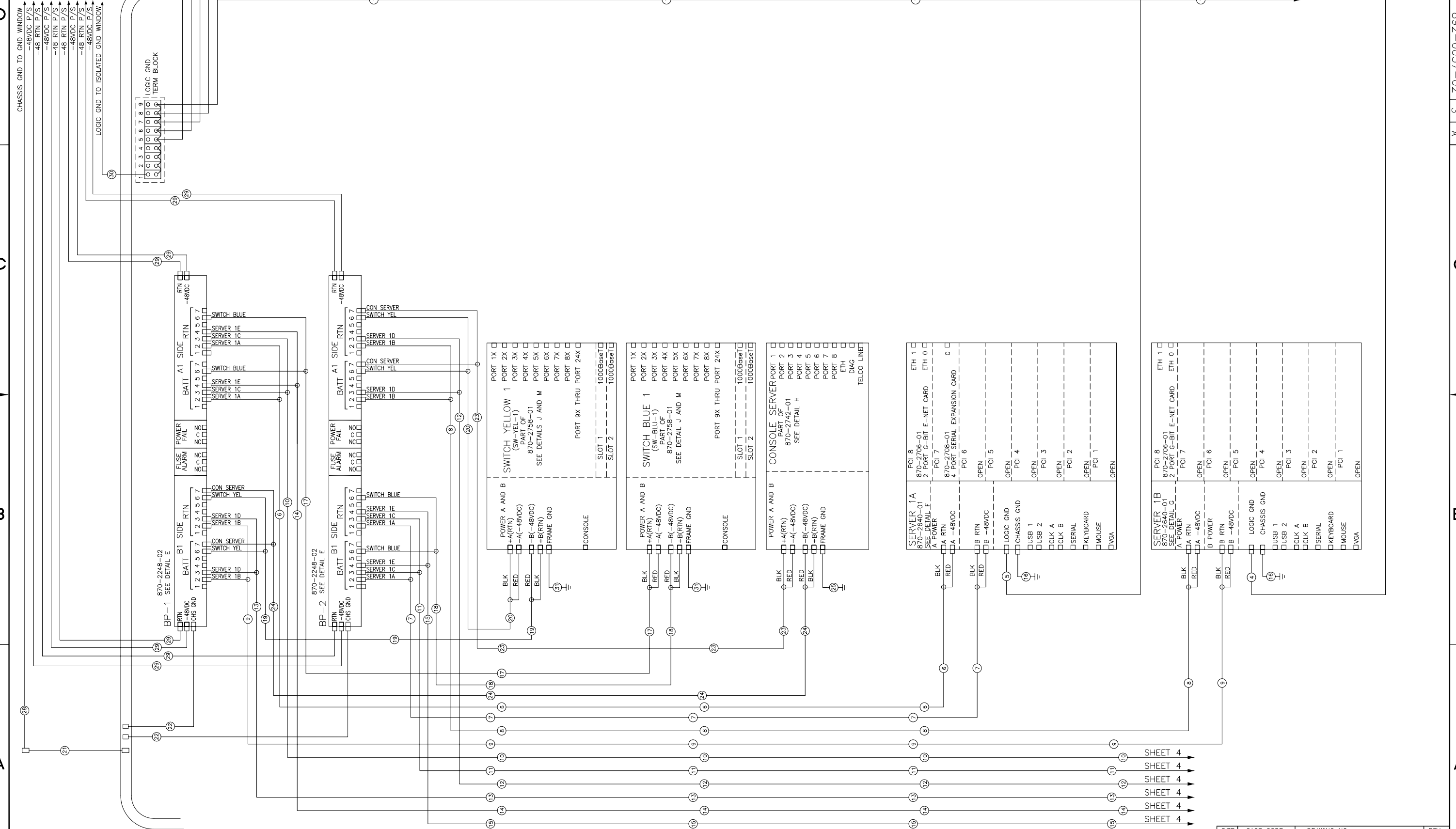
892-0057-02 2 A  
 SHEET 2 OF 7

| REVISIONS |             |      |          |
|-----------|-------------|------|----------|
| LTR       | DESCRIPTION | DATE | APPROVED |
|           |             |      |          |

SHEET 4  
SHEET 4  
SHEET 4

| REVISIONS |             |      |          |
|-----------|-------------|------|----------|
| LTR       | DESCRIPTION | DATE | APPROVED |
|           |             |      |          |

SHEET 4  
SHEET 4  
SHEET 4  
SHEET 4  
SHEET 4



POWER CONNECTIONS AND CABLES

|                  |            |                            |           |
|------------------|------------|----------------------------|-----------|
| SIZE<br><b>D</b> | CAGE CODE  | DRAWING NO.<br>892-0057-02 | REV.<br>A |
| SCALE: NONE      | FILE NAME: | SHEET 3 OF 7               |           |

THIS DOCUMENT AND THE DATA DISCLOSED HEREIN OR HEREWITH IS PROPRIETARY AND IS NOT TO BE REPRODUCED, USED OR DISCLOSED IN WHOLE OR PART TO ANYONE WITHOUT THE WRITTEN PERMISSION OF TEKELEC. COPYRIGHT, TEKELEC 1996.

892-0057-02 3 A

C

V

B

A

D

8

7

6

5

4

3

2

1

D

C

V

B

A

8

7

6

5

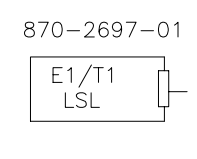
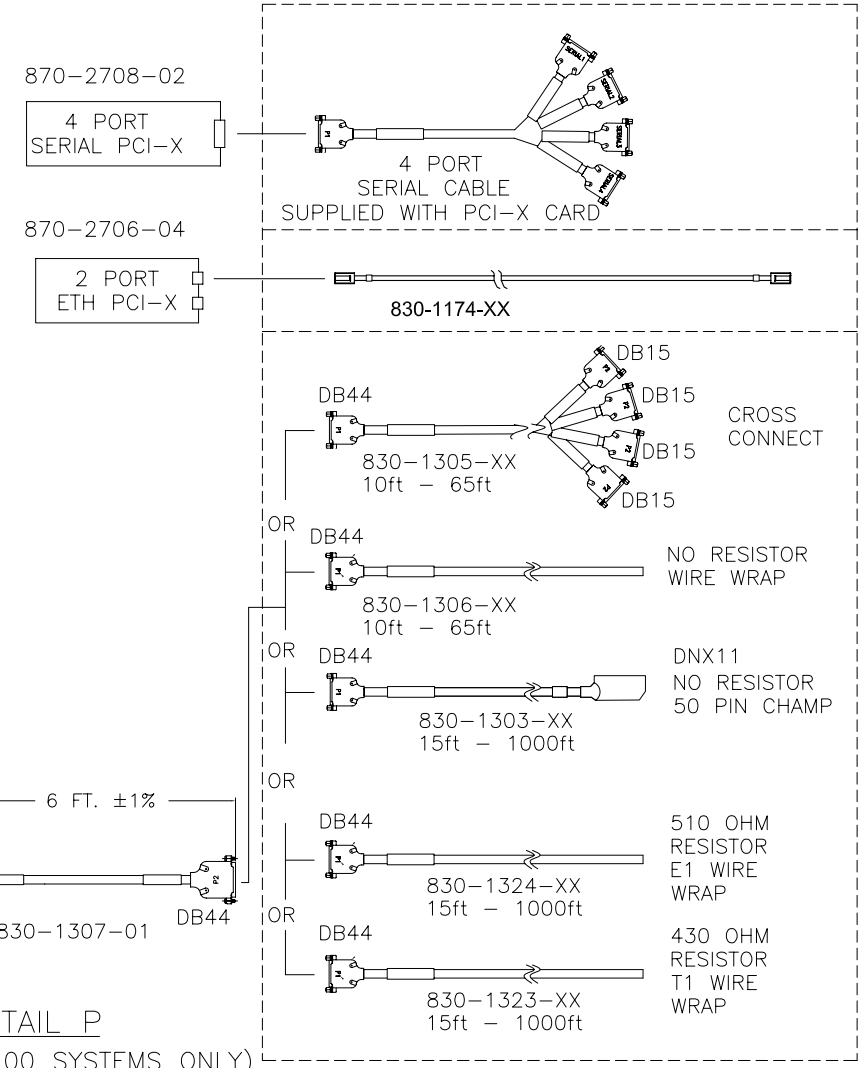
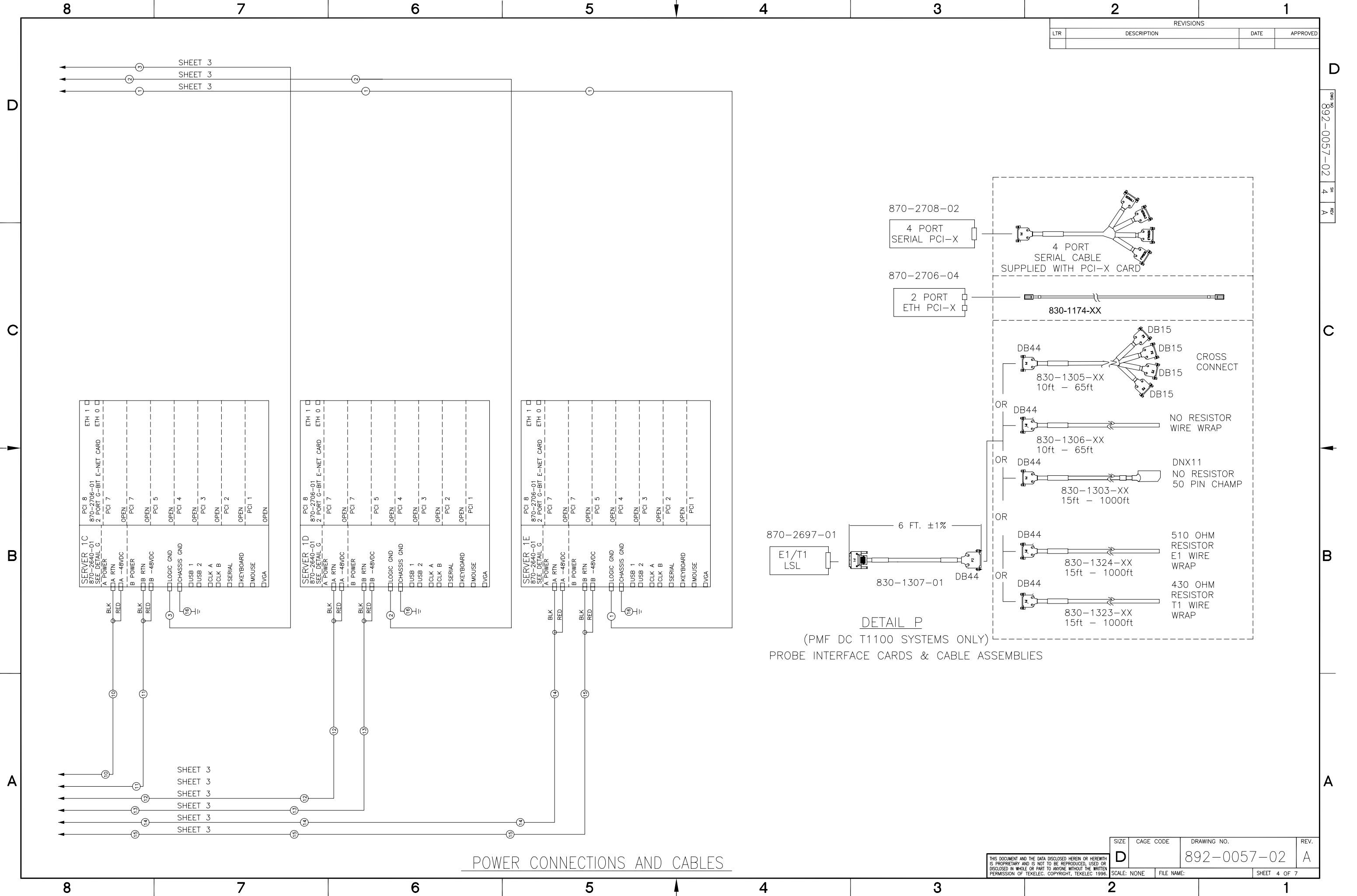
4

3

2

1

| REVISIONS |             |      |          |
|-----------|-------------|------|----------|
| LTR       | DESCRIPTION | DATE | APPROVED |
|           |             |      |          |



**DETAIL P**  
(PMF DC T1100 SYSTEMS ONLY)  
PROBE INTERFACE CARDS & CABLE ASSEMBLIES

POWER CONNECTIONS AND CABLES

|             |            |              |      |
|-------------|------------|--------------|------|
| SIZE        | CAGE CODE  | DRAWING NO.  | REV. |
| D           |            | 892-0057-02  | A    |
| SCALE: NONE | FILE NAME: | SHEET 4 OF 7 |      |

THIS DOCUMENT AND THE DATA DISCLOSED HEREIN OR HEREWITH IS PROPRIETARY AND IS NOT TO BE REPRODUCED, USED OR DISCLOSED IN WHOLE OR PART TO ANYONE WITHOUT THE WRITTEN PERMISSION OF TEKELEC. COPYRIGHT, TEKELEC 1996.

892-0057-02 4 A

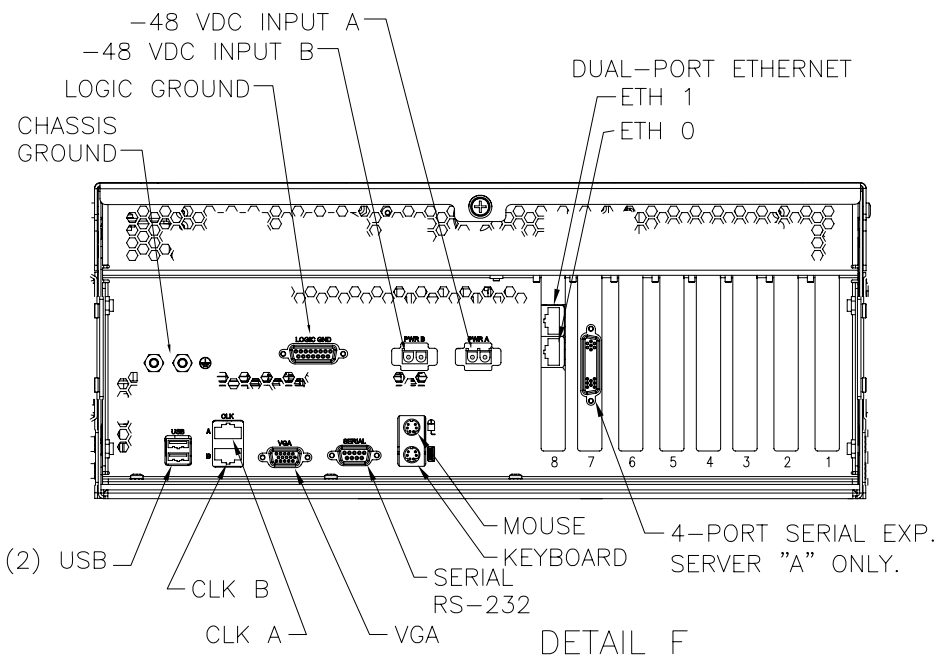
C

B

A



| REVISIONS |             |      |          |
|-----------|-------------|------|----------|
| LTR       | DESCRIPTION | DATE | APPROVED |
|           |             |      |          |

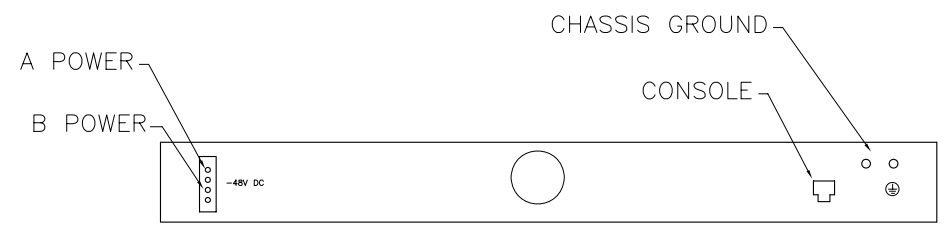


**DETAIL F**

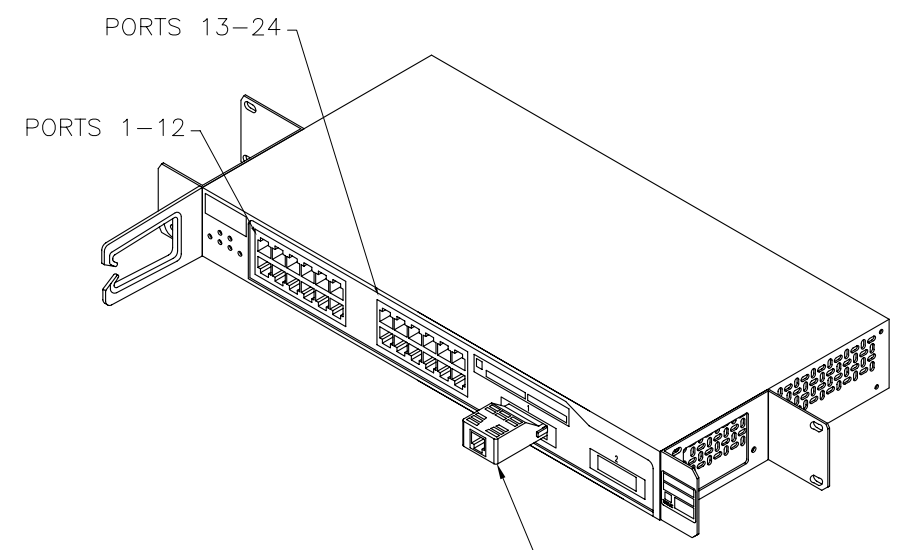
SERVER (REAR VIEW) 870-2640-01 W/ PCI CARDS:  
(SEE TABLE C FOR PCI CARD P/N'S & LOCATIONS)

**TABLE C**

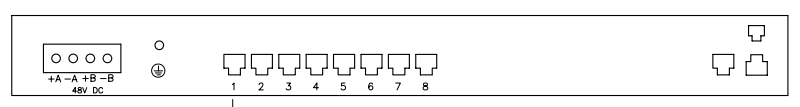
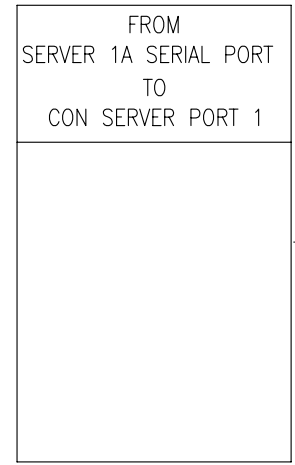
| PCI SLOT | BIT | MHZ | CARD                          | PART NUMBER           |
|----------|-----|-----|-------------------------------|-----------------------|
| 1        | 64  | 133 | PROBE INTERFACE (PMF SYSTEMS) | (SEE DETAIL N, SHT.4) |
| 2        | 64  | 66  | PROBE INTERFACE (PMF SYSTEMS) | (SEE DETAIL N, SHT.4) |
| 3        | 64  | 66  | PROBE INTERFACE (PMF SYSTEMS) | (SEE DETAIL N, SHT.4) |
| 4        | 64  | 66  | PROBE INTERFACE (PMF SYSTEMS) | (SEE DETAIL N, SHT.4) |
| 5        | 64  | 66  | PROBE INTERFACE (PMF SYSTEMS) | (SEE DETAIL N, SHT.4) |
| 6        | 64  | 133 | PROBE INTERFACE (PMF SYSTEMS) | (SEE DETAIL N, SHT.4) |
| 7        | 32  | 33  | 4 PORT SERIAL (SERVER A ONLY) | 870-2708-XX           |
| 8        | 32  | 33  | DUAL-PORT ETHERNET            | 870-2706-XX           |



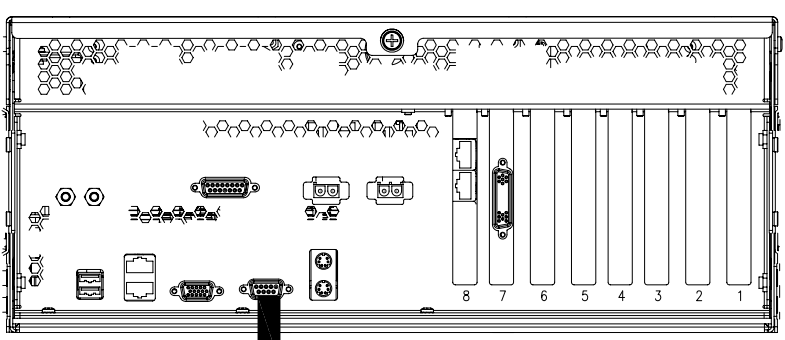
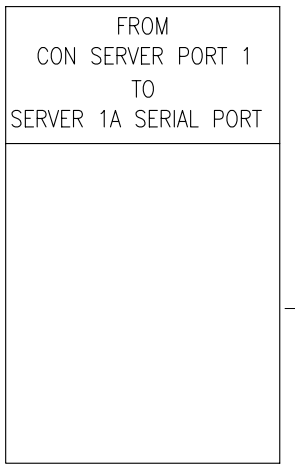
**DETAIL J**  
**REAR VIEW-SWITCH**  
870-2758-01



**DETAIL M**  
**ISO VIEW OF THE FRONT-SWITCH**  
870-2758-01

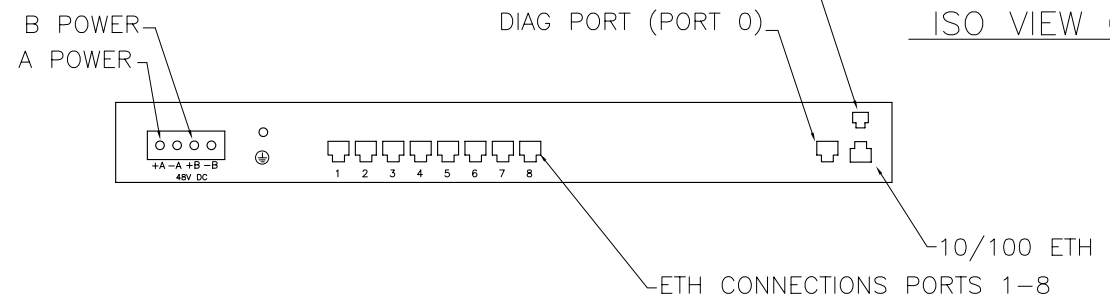


**CONSOLE SERVER (REAR VIEW)**

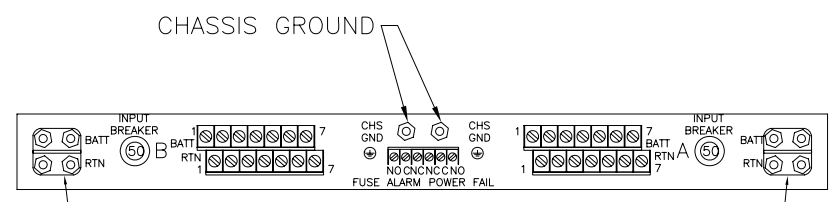


**SERVER 1A (REAR VIEW)**

**DETAIL L**  
CABLE LABEL PLACEMENT DETAIL  
TYPICAL FOR ALL CABLES  
INDICATED IN TABLES A AND B  
USING CABLE ITEM NO. 38



**DETAIL H**  
**REAR VIEW- CONSOLE SERVER**  
870-2742-01



**DETAIL E**  
**CIRCUIT BREAKER (REAR VIEW)**  
870-2248-02

|             |            |              |      |
|-------------|------------|--------------|------|
| SIZE        | CAGE CODE  | DRAWING NO.  | REV. |
| D           |            | 892-0057-02  | A    |
| SCALE: NONE | FILE NAME: | SHEET 6 OF 7 |      |

THIS DOCUMENT AND THE DATA DISCLOSED HEREIN OR HEREWITH IS PROPRIETARY AND IS NOT TO BE REPRODUCED, USED OR DISCLOSED IN WHOLE OR PART TO ANYONE WITHOUT THE WRITTEN PERMISSION OF TEKELEC. COPYRIGHT, TEKELEC 1998.

