

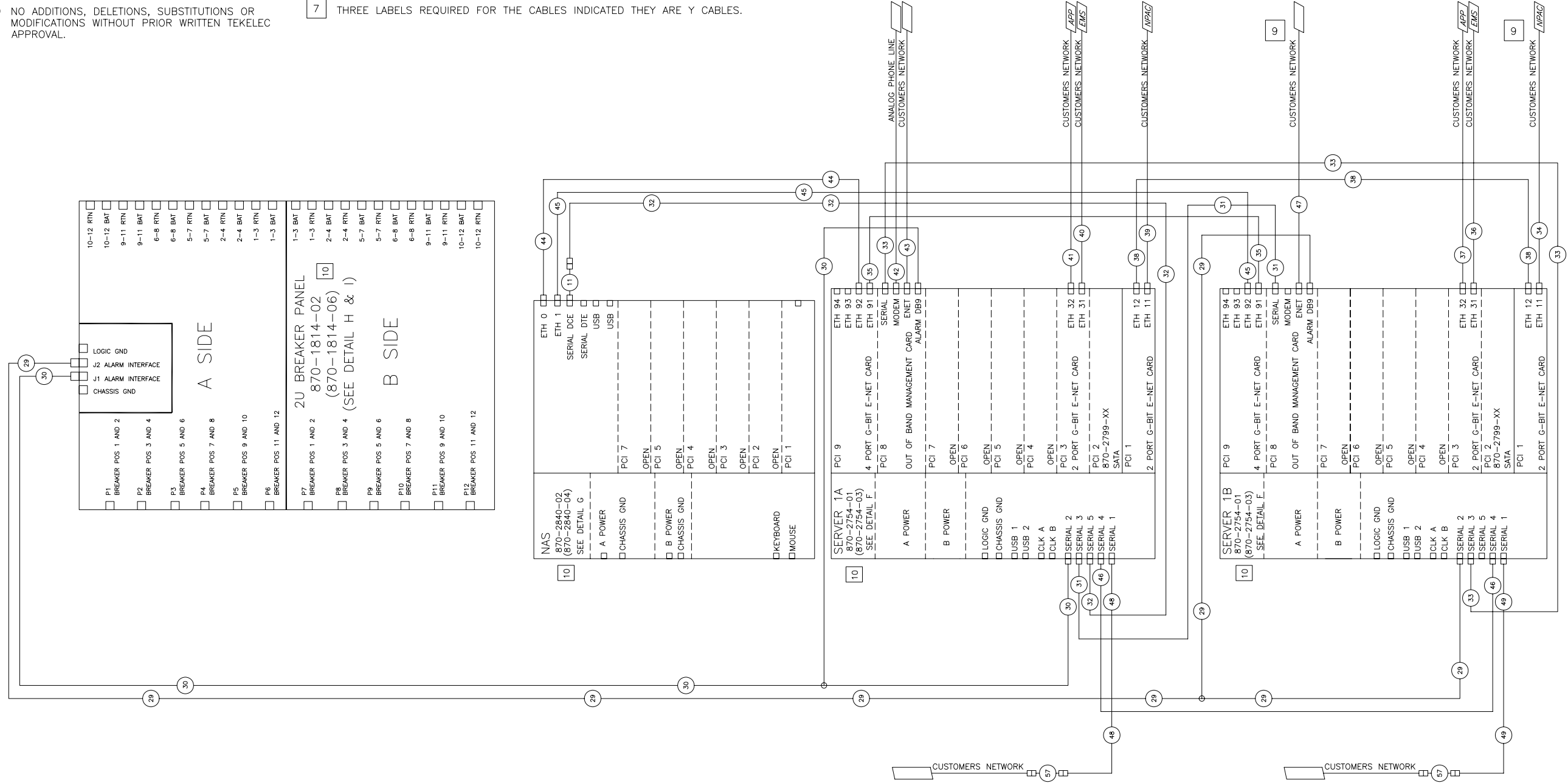
REVISIONS			
LTR	DESCRIPTION	DATE	APPROVED
A	RELEASED PER ECO # 14634	5/26/05	ARMSTRONG
B	REVISED PER ECO# 14815	06/20/05	ARMSTRONG
C	REVISED PER ECO# 14874	07/07/05	ARMSTRONG
D	REVISED PER ECO# 14931	08/03/05	ARMSTRONG
E	REVISED PER ECO# 15054	10/10/05	ARMSTRONG
F	REVISED PER ECO# 16098	06/26/06	ARMSTRONG

NOTES: UNLESS OTHERWISE SPECIFIED

- INSTALL ALL CABLE ASSEMBLIES WITH DRESSED BEND RADII IN ACCORDANCE WITH TEKELEC CABLE BEND RADIUS SPECIFICATION 906-0020-01.
- ALL INTERCONNECTION POINTS SHALL BE STRAIN RELIEVED BY POSITIVE MECHANICAL FEATURES OR FASTENERS FOR LENGTH CONFIGURATIONS.
- THIS DIAGRAM AND ALL PART NUMBERS SHOWN ARE FOR REFERENCE ONLY. REFERENCE CABLE PART NUMBERS WITH XX FOR THE DASH NUMBER ARE LENGTHS THAT ARE SITE SPECIFIC.
- NO ADDITIONS, DELETIONS, SUBSTITUTIONS OR MODIFICATIONS WITHOUT PRIOR WRITTEN TEKELEC APPROVAL.
- SEE TEKELEC P/N 820-XXXX-01 FOR CURRENT HARDWARE LIST.
- USE LABEL PN 617-0009-01 TO MAKE LABEL SET FOR FROM-TO ON CABLES INDICATED IN TABLE A. EACH CABLE INDICATED WILL REQUIRE 2 LABELS; ONE AS SHOWN IN THE TABLES AND ONE WITH FROM-TO REVERSED AS SHOWN IN DETAIL E. PERMANENTLY PRINT LABELS WITH .09 HIGH BLACK CHARACTERS. CENTER TEXT APPROXIMATELY AS SHOWN. MAX 23 CHARACTERS PER LINE. CABLES IDENTIFIED AS FIELD LABEL WILL BE LABELED AT INSTALLATION.
- THREE LABELS REQUIRED FOR THE CABLES INDICATED THEY ARE Y CABLES.

- CIRCUIT BREAKER IS SUPPLIED WITH JUMPERS BETWEEN POWER INPUTS TO CONNECT 4 CIRCUIT BREAKERS PER POWER INPUT. FUSE POSITIONS 1-4, 5-8 AND 9-12.
- ETH 11 TO BE USED FOR SINGLE SUBNET SYSTEMS.
- ORIGINAL PART NUMBERS TO BE USED FOR REFERENCE ONLY. CROSS-REFERENCE PART NUMBERS ARE ROHS COMPLIANT AND SHALL BE USED FOR PRODUCTION OR REPLACEMENT SYSTEMS.

DOCUMENT CONTROL
PRODUCTION RELEASED



DATA CONNECTIONS AND CABLES

UNLESS OTHERWISE SPECIFIED, DO NOT SCALE DRAWING. DIMENSIONS ARE IN INCHES. INTERPRET DIMENSIONS IN ACCORDANCE WITH ANSI Y14.5M-82. DEBURR AND BREAK SHARP EDGES .005-.015. MACHINED SURFACE FINISH $\sqrt{32}$. TOLERANCES: .XXX ± .03 .XXX ± .010 .

STANDARD HOLE TOLERANCES:	
HOLE DIA	TOLERANCES
.013 THRU .125	+ .004 - .001
.126 THRU .250	+ .005 - .001
.251 THRU .500	+ .006 - .001
.501 THRU .750	+ .008 - .001
.751 THRU 1.000	+ .010 - .002
1.001 THRU 2.000	+ .012 - .001

CONTRACT NO.	
APPROVALS	DATE
DRAWN M.BRYAN	4/12/05
CHECKED BEAUCHAMP	5/15/05
APPROVED J.ARMSTRONG	5/15/05
MATERIAL	

TEKELEC 5200 Paramount Parkway
Morrisville, NC 27560

INTERCONNECT DIAGRAM
SYSTEM_LSMS_T1100 DC
FRAME ASSY

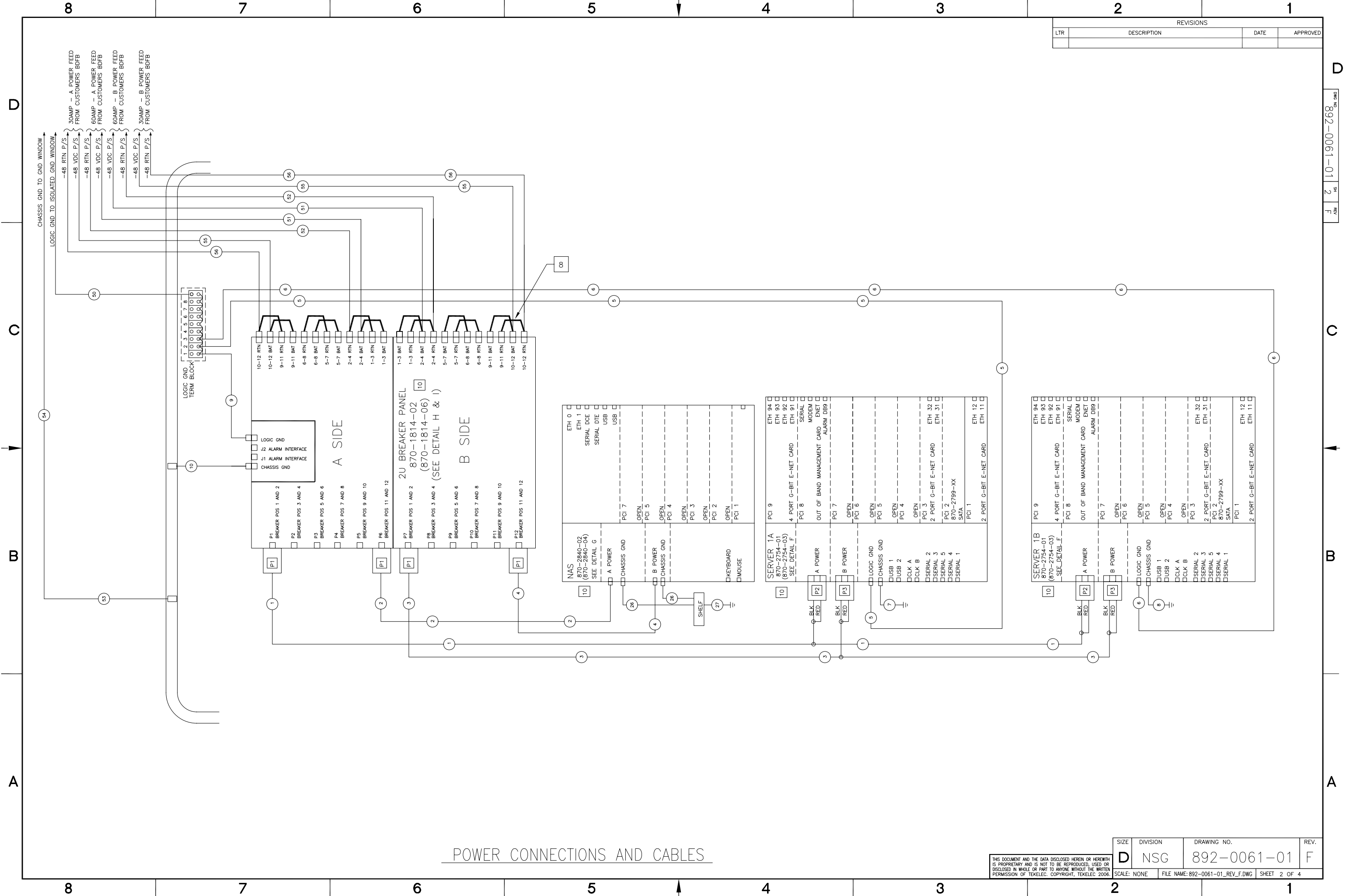
SIZE	DIVISION	DRAWING NO.	REV.
D	NSG	892-0061-01	F

SCALE: NONE FILE NAME: 892-0061-01_REV_F.DWG SHEET 1 OF 4

THIS DOCUMENT AND THE DATA DISCLOSED HEREIN OR HEREWITH IS PROPRIETARY AND IS NOT TO BE REPRODUCED, USED OR DISCLOSED IN WHOLE OR PART TO ANYONE WITHOUT THE WRITTEN PERMISSION OF TEKELEC. COPYRIGHT, TEKELEC 2006.

REVISIONS			
LTR	DESCRIPTION	DATE	APPROVED

892-0061-01 2 F

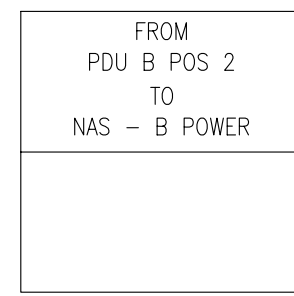
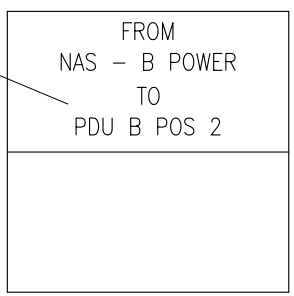


POWER CONNECTIONS AND CABLES

SIZE	DIVISION	DRAWING NO.	REV.
D	NSG	892-0061-01	F
SCALE: NONE		FILE NAME: 892-0061-01_REV_F.DWG	SHEET 2 OF 4

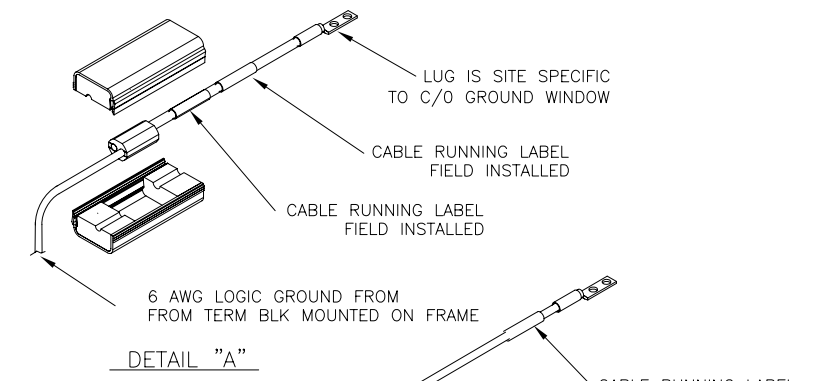
THIS DOCUMENT AND THE DATA DISCLOSED HEREIN OR HERETH IS PROPRIETARY AND IS NOT TO BE REPRODUCED, USED OR DISCLOSED IN WHOLE OR PART TO ANYONE WITHOUT THE WRITTEN PERMISSION OF TEKELC. COPYRIGHT, TEKELC. 2006.

10 TABLE A - POWER CABLE PART NUMBERS						
ITEM NO.	TEKELEC P/N	CROSS-REF P/N	QTY	LENGTH	RUN LIST AND LABEL INFORMATION FOR FROM AND TO	LABEL REQUIRED
1	830-0014-01	830-1133-01	1	81.00 INCHES	FROM: SERVER A AND B - A POWER / TO: BP1 P1	NO
2	830-0061-01	830-1139-01	1	61.00 INCHES	FROM: NAS - A POWER / TO: BP1 P6	NO
3	830-0015-01	830-1134-01	1	81.00 INCHES	FROM: SERVER A AND B - B POWER / TO: BP1 P7	NO
4	830-0060-01	830-1277-01	1	49.00 INCHES	FROM: FROM: NAS - B POWER / TO: BP1 P12	NO
5	830-1071-01	830-1218-01	1	60.00 INCHES	FROM: SERVER A LOGIC GND / TO: LOGIC GND TERM BLK POS 2	YES
6	830-1071-02	830-1218-02	1	67.00 INCHES	FROM: SERVER B LOGIC GND / TO: LOGIC GND TERM BLK POS 3	YES
7	830-0927-01	830-1124-01	1	14.00 INCHES	FROM: SERVER A CHASSIS GND / TO: FRAME	NO
8	830-0927-01	830-1124-01	1	14.00 INCHES	FROM: SERVER B CHASSIS GND / TO: FRAME	NO
9	830-1003-01	830-1273-01	1	18.00 INCHES	FROM: BP1 LOGIC GND / TO: LOGIC GND TERM BLK POS 1	NO
10	830-0830-01	830-1181-01	1	18.00 INCHES	FROM: BP1 FRAME GND / TO: FRAME	YES
11	804-1929-01	804-1929-R01	1	NA	OPT-ISOLATOR RJ45-DB9M NAS SERIAL	NO
12-24	NOT USED	NOT USED				
25	NOT USED	NOT USED				
26	830-0822-01	830-1247-01	2	14.00 INCHES	FROM: NAS CHASSIS GND TO FRAME	YES
27	830-0820-01	830-1180-01	1	14.00 INCHES	FROM: SLIDE SHELF TO FRAME	YES
28	NOT USED	NOT USED				
29	830-0020-02	830-1276-02	1	84.00 INCHES	FROM: BP1 ALARM INT J2 / TO: SERVER B SERIAL PORT 2 TO: SERV B SLOT 8 ALM PORT	YES 7
30	830-0020-01	830-1276-01	1	72.00 INCHES	FROM: BP1 ALARM INT J1 / TO: SERVER A SERIAL PORT 2 TO: SERV A SLOT 8 ALM PORT	YES 7
31	830-1074-06	830-1220-06	1	72.00 INCHES	FROM: SERVER A SERIAL PORT 3 / TO: SERVER B SLOT 8 SERIAL PORT	YES
32	830-1082-01	830-1226-01	1	72.00 INCHES	FROM: SERVER A SERIAL PORT 5 / TO: NAS DTE PORT	YES
33	830-1074-06	830-1220-06	1	72.00 INCHES	FROM: SERVER A SLOT 8 SERIAL PORT / TO: SERVER B SERIAL 3	YES
34	830-0723-XX	830-1173-XX	1	SITE SPECIFIC	FROM: SERVER B SLOT 1 ETH 11 / TO: CUSTOMER NETWORK NPAC	FIELD LABEL
35	830-0723-67	830-1173-67	1	60.00 INCHES	FROM: SERVER A SLOT 9 ETH 91 / TO: SERVER B SLOT 9 ETH 91	YES
36	830-0723-XX	830-1173-XX	1	SITE SPECIFIC	FROM: SERVER B SLOT 3 ETH 31 / TO: CUSTOMERS NETWORK EMS	FIELD LABEL
37	830-0723-XX	830-1173-XX	1	SITE SPECIFIC	FROM: SERVER B SLOT 3 ETH 32 / TO: CUSTOMER NETWORK APP	FIELD LABEL
38	830-0723-67	830-1173-67	1	60.00 INCHES	FROM: SERVER A SLOT 1 ETH 12 / TO: SERVER B SLOT 1 ETH 12	YES
39	830-0723-XX	830-1173-XX	1	SITE SPECIFIC	FROM: SERVER A SLOT 1 ETH 11 / TO: CUSTOMER NETWORK NPAC	FIELD LABEL
40	830-0723-XX	830-1173-XX	1	SITE SPECIFIC	FROM: SERVER A SLOT 3 ETH 31 / TO: CUSTOMER NETWORK EMS	FIELD LABEL
41	830-0723-XX	830-1173-XX	1	SITE SPECIFIC	FROM: SERVER A SLOT 3 ETH 32 / TO: CUSTOMERS NETWORK APP	FIELD LABEL
42	830-0680-01	830-1165-01	1	25.00 FEET	FROM: SERVER A SLOT 8 MODEM PORT TO: CUSTOMER SUPPLIED POTS LINE	FIELD LABEL
43	830-0723-XX	830-1173-XX	1	SITE SPECIFIC	FROM: SERVER A SLOT 8 ETH 0 / TO: CUSTOMER NETWORK	FIELD LABEL
44	830-0723-65	830-1173-65	1	72.00 INCHES	FROM: SERVER A SLOT 9 ETH 92 / TO: NAS ETH 0	YES
45	830-0723-65	830-1173-65	1	72.00 INCHES	FROM: SERVER B SLOT 9 ETH 92 / TO: NAS ETH 1	YES
46	830-1074-06	830-1220-06	1	72.00 INCHES	FROM: SERVER A SERIAL PORT 4 / TO: SERVER B SERIAL PORT 4	YES
47	830-0723-XX	830-1173-XX	1	SITE SPECIFIC	FROM: SERVER B SLOT 8 ETH 0 / TO: CUSTOMER NETWORK	FIELD LABEL
48	830-1082-02	830-1226-02	1	120.00 INCHES	FROM: SERVER A SERIAL 1 / TO: CUSTOMER NETWORK SURVEILLANCE	YES
49	830-1082-02	830-1226-02	1	120.00 INCHES	FROM: SERVER B SERIAL 1 / TO: CUSTOMER NETWORK SURVEILLANCE	YES
50	LOGIC GROUND	LOGIC GROUND	1	SEE TABLE B		FIELD LABEL
51	-48VDC (BAT)	-48VDC (BAT)	2	SEE TABLE B		FIELD LABEL
52	-48 RTN	-48 RTN	2	SEE TABLE B		FIELD LABEL
53	830-0715-03	830-1171-03	1	84.00 INCHES		FIELD LABEL
54	CHASSIS GROUND	CHASSIS GROUND	1	SEE TABLE F		FIELD LABEL
55	-48VDC (BAT)	-48VDC (BAT)	2	SEE TABLE E		FIELD LABEL
56	-48 RTN	-48 RTN	2	SEE TABLE E		FIELD LABEL
57	804-1929-01	804-1929-R01	5	NA	OPTO-ISOLATOR DB9M-DB9F CUSTOMER NETWORK SURVEILLANCE	NO

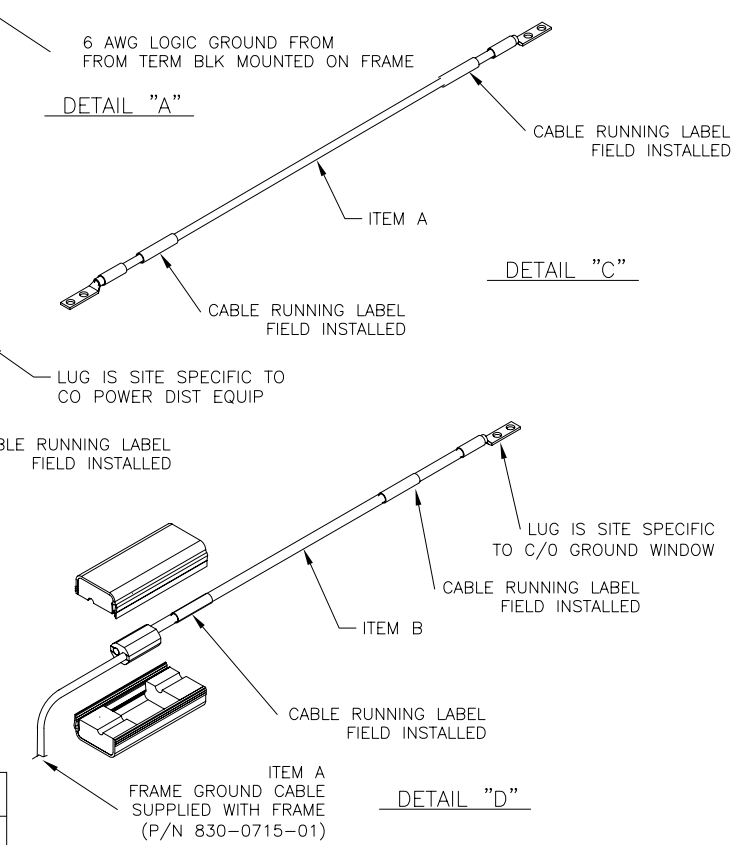
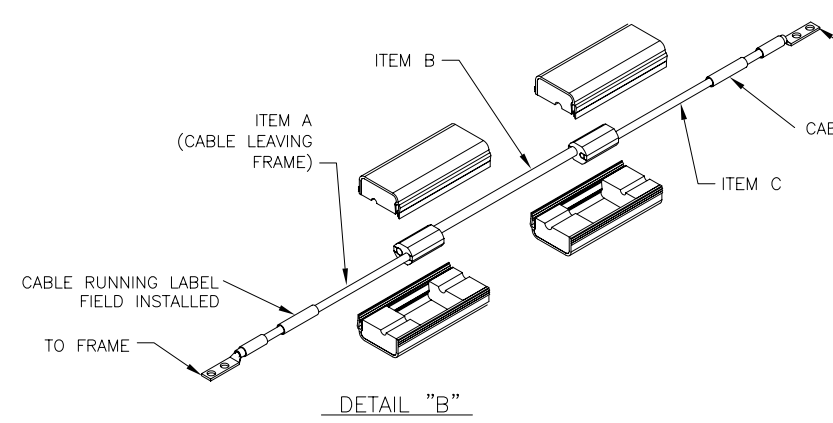


EXAMPLE OF TEXT SHOWN IN TABLES

EXAMPLE WITH TEXT REVERSED FROM FIRST LABEL



DETAIL E CABLE LABEL EXAMPLE USING CABLE ITEM NO. 4



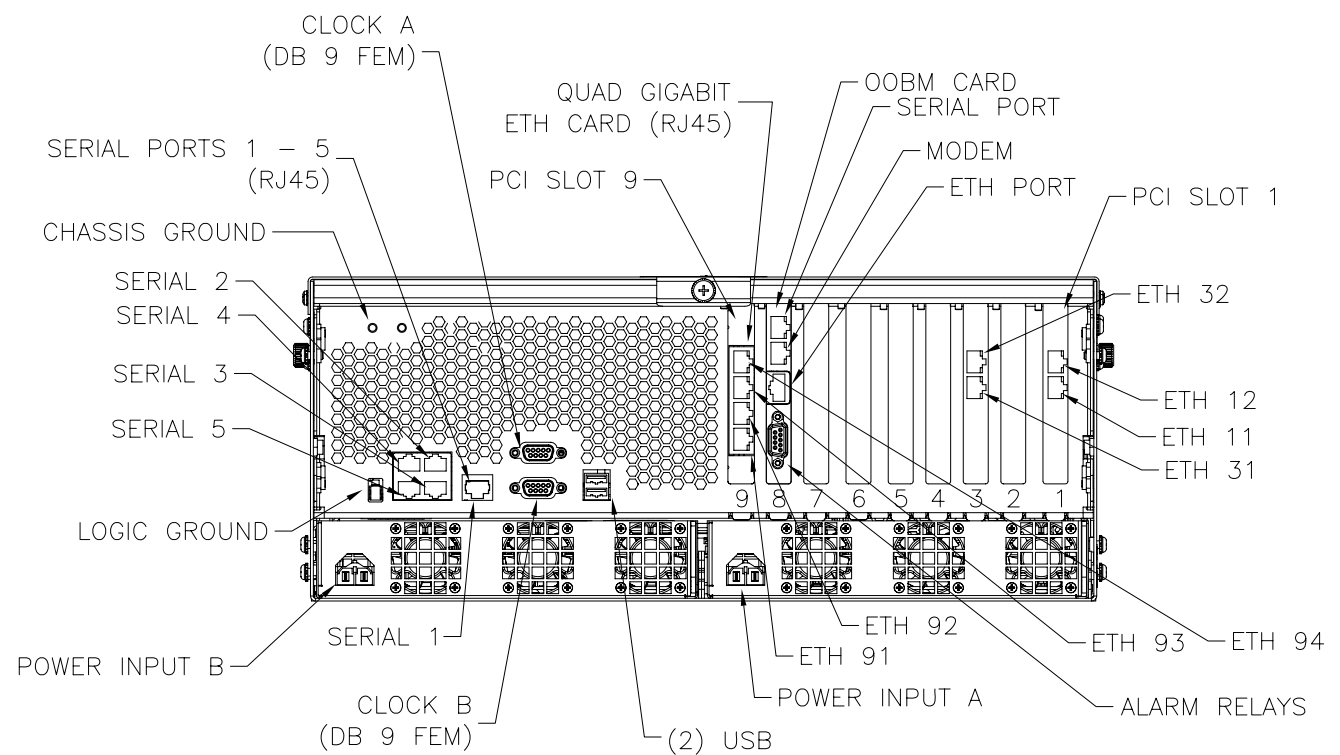
10 TABLE B - 60 AMP POWER FEED CABLE CHART FOR -48VDC & 48VRTN CABLING COMPONENTS											
DISTANCE	ITEM A				ITEM B		ITEM C	HALF TAP SPLICE P/N	HTAP SOFT COVER P/N	COMMENT	REF. DETAIL
	CABLE P/N (CROSS-REF P/N)	CABLE AWG	TERMINAL LUG P/N (CROSS-REF P/N)	HEAT SHRINK P/N (CROSS-REF P/N)	CABLE P/N (CROSS-REF P/N)	CABLE AWG	CABLE CONSTRUCTION				
0' - 40'	690-0108-01(-R01)	6	502-0085-01(-R01)	804-0228-01(-R01)	690-0108-08 (-R08)	2	N/A	NONE REQUIRED	NONE REQUIRED	CABLE LENGTH IS SITE-SPECIFIC	B
40' - 70'	690-0108-01(-R01)	6	502-0085-01(-R01)	804-0228-01(-R01)	690-0108-03 (-R03)	1/0	SITE SPECIFIC	T&B 63125	T&B HTC40	CABLE LENGTH IS SITE-SPECIFIC	B
70' - 110'	690-0108-01(-R01)	6	502-0085-01(-R01)	804-0228-01(-R01)	690-0108-14 (-R14)	2/0	SITE SPECIFIC	T&B 63125	T&B HTC40	CABLE LENGTH IS SITE-SPECIFIC, HTAPPED STUBS <= 10' EACH END	B
110' - 170'	690-0108-01(-R01)	6	502-0085-01(-R01)	804-0228-01(-R01)	690-0108-13 (-R13)	4/0	SITE SPECIFIC	T&B 63125	T&B HTC40	CABLE LENGTH IS SITE-SPECIFIC, HTAPPED STUBS <= 10' EACH END	B
170' - 200'	690-0108-01(-R01)	6	502-0085-01(-R01)	804-0228-01(-R01)	690-0108-TBD(-RTBD)	350 MCM	SITE SPECIFIC	T&B 63125	T&B HTC40	CABLE LENGTH IS SITE-SPECIFIC, HTAPPED STUBS <= 10' EACH END	B
200' - 220'	690-0108-01(-R01)	6	502-0085-01(-R01)	804-0228-01(-R01)	690-0108-TBD(-RTBD)	500 MCM	SITE SPECIFIC	T&B 63125	T&B HTC40	CABLE LENGTH IS SITE-SPECIFIC, HTAPPED STUBS <= 10' EACH END	B

10 TABLE E - 30 AMP POWER FEED CABLE CHART FOR -48VDC & 48VRTN CABLING COMPONENTS											
DISTANCE	ITEM A				ITEM B		ITEM C	HALF TAP SPLICE P/N	HTAP SOFT COVER P/N	COMMENT	REF. DETAIL
	CABLE P/N (CROSS-REF P/N)	CABLE AWG	TERMINAL LUG P/N (CROSS-REF P/N)	HEAT SHRINK P/N (CROSS-REF P/N)	CABLE P/N (CROSS-REF P/N)	CABLE AWG	CABLE CONSTRUCTION				
0' - 40'	690-0108-01 (-R01)	6	502-0085-01(-R01)	804-0228-01(-R01)	N/A	---	N/A	NONE REQUIRED	NONE REQUIRED	CABLE LENGTH IS SITE-SPECIFIC	C
40' - 65'	690-0108-01 (-R01)	6	502-0085-01(-R01)	804-0228-01(-R01)	690-0108-04(-R04)	4	SITE SPECIFIC	T&B 63125	T&B HTC40	CABLE LENGTH IS SITE-SPECIFIC	B
65' - 100'	690-0108-01 (-R01)	6	502-0085-01(-R01)	804-0228-01(-R01)	690-0108-06(-R06)	2	SITE SPECIFIC	T&B 63125	T&B HTC40	CABLE LENGTH IS SITE-SPECIFIC, HTAPPED STUBS <= 10' EACH END	B
100' - 160'	690-0108-01 (-R01)	6	502-0085-01(-R01)	804-0228-01(-R01)	690-0108-03(-R03)	1/0	SITE SPECIFIC	T&B 63125	T&B HTC40	CABLE LENGTH IS SITE-SPECIFIC, HTAPPED STUBS <= 10' EACH END	B

10 TABLE D - LOGIC GROUND CABLING						
DISTANCE	PRIMARY CABLE P/N (CROSS-REF P/N)	CABLE AWG	TERMINAL LUG P/N (CROSS-REF P/N)	HEAT SHRINK P/N (CROSS-REF P/N)	COMMENT	REF. DETAIL
0'-40'	690-0131-01(-R01)	6	502-0085-01(-R01)	804-0228-01(-R01)	CABLE LENGTH IS SITE-SPECIFIC	C
40'-160'	690-0108-07(-R07)	1/0	804-0977-01(-R01)	804-0229-01(-R01)	CABLE LENGTH IS SITE-SPECIFIC	A

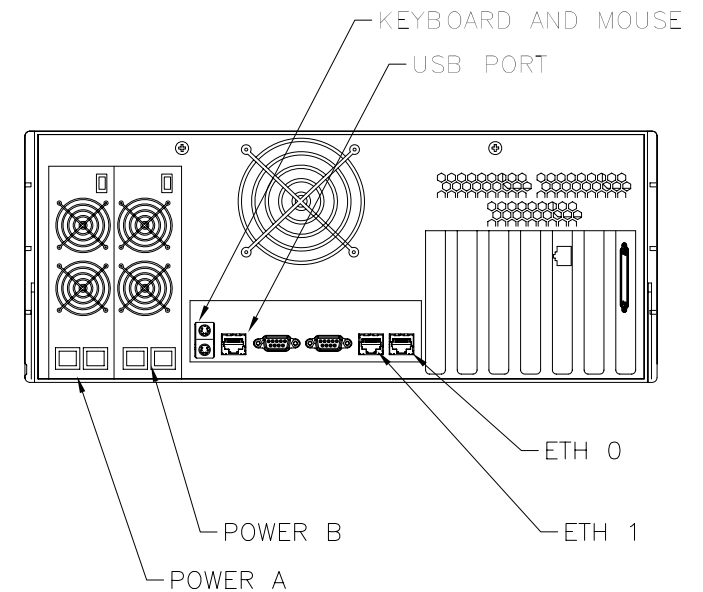
TABLE F - SYSTEM FRAME GROUND CABLING									
DISTANCE	CABLE P/N (CROSS-REF P/N)	CABLE AWG	ITEM A (830-0715-01 SUPPLIED WITH FRAME)		ITEM B		HTAP (A TO B CONNECTION)	COMMENT	REF. DETAIL
			TERMINAL LUG P/N (CROSS-REF P/N)	HEAT SHRINK P/N (CROSS-REF P/N)	CABLE P/N (CROSS-REF P/N)	CABLE AWG	H TAP P/N (CROSS-REF P/N)		
0' - 40'	690-0131-01(-R01)	6	502-0085-01(-R01)	804-0228-01(-R01)	690-0131-01(-R01)	6	804-0865-01(-R01)	CABLE LENGTH IS SITE-SPECIFIC	D
40' - 160'	690-0108-01(-R01)	6	502-0085-01(-R01)	804-0228-01(-R01)	690-0108-07(-R07)	1/0	804-0865-01(-R01)	CABLE LENGTH IS SITE-SPECIFIC	D

REVISIONS			
LTR	DESCRIPTION	DATE	APPROVED



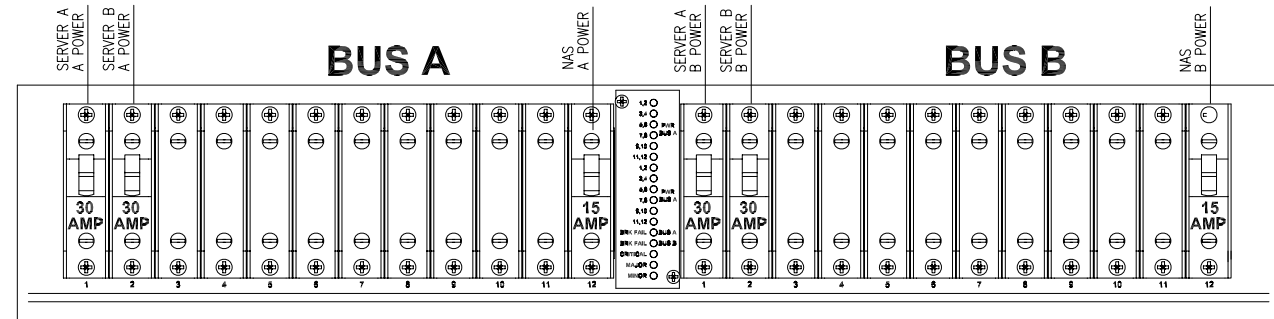
DETAIL F

SERVER A AND B (REAR VIEW)
 10 870-2754-02(-04) W/ PCI CARDS:
 SLOT 1 -870-2706-XX
 SLOT 2 -870-2799-XX
 SLOT 3 -870-2706-XX
 SLOT 8 -870-2798-XX
 SLOT 9 -870-2790-XX

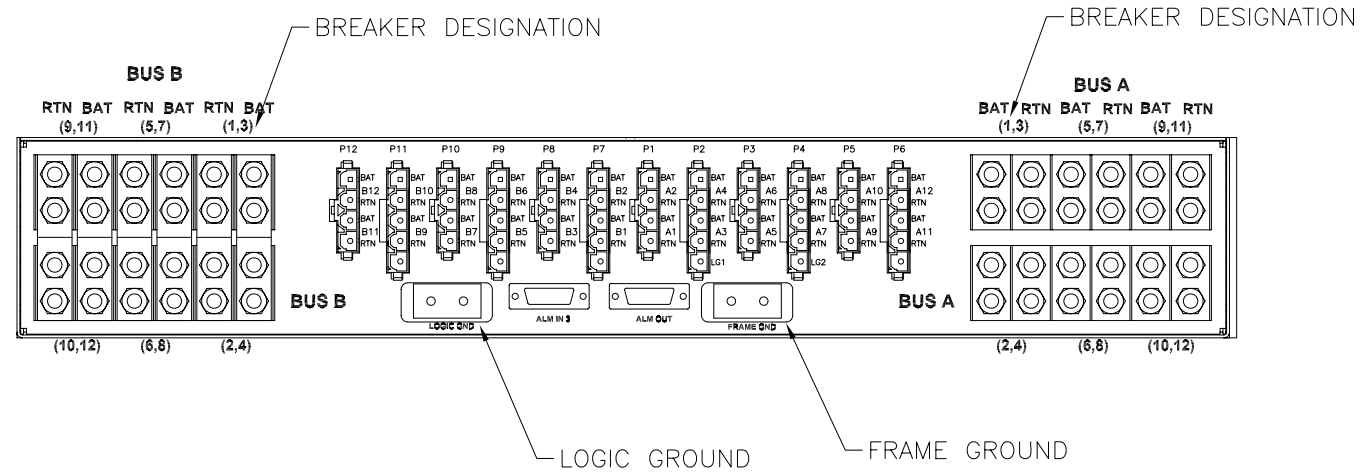


DETAIL G - REAR VIEW

NAS
 PN 870-2840-02 (870-2840-04) 10



DETAIL H - FRONT VIEW - CIRCUIT BREAKER



DETAIL I - REAR VIEW - CIRCUIT BREAKER

SIZE	DIVISION	DRAWING NO.	REV.
D	NSG	892-0061-01	F

THIS DOCUMENT AND THE DATA DISCLOSED HEREIN OR HEREWITH IS PROPRIETARY AND IS NOT TO BE REPRODUCED, USED OR DISCLOSED IN WHOLE OR PART TO ANYONE WITHOUT THE WRITTEN PERMISSION OF TEKELEC. COPYRIGHT, TEKELEC 2006.

SCALE: NONE | FILE NAME: 892-0061-01_REV_F.DWG | SHEET 4 OF 4