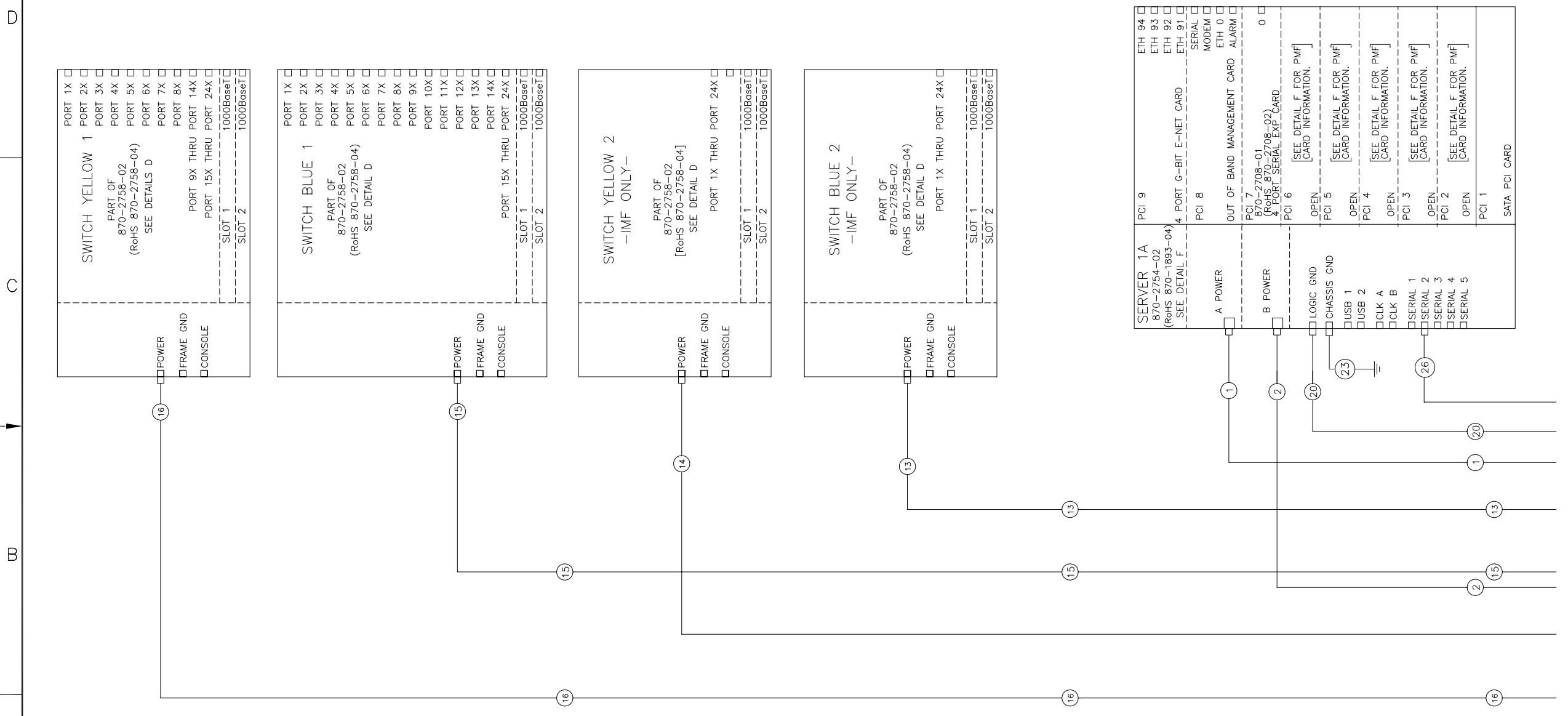
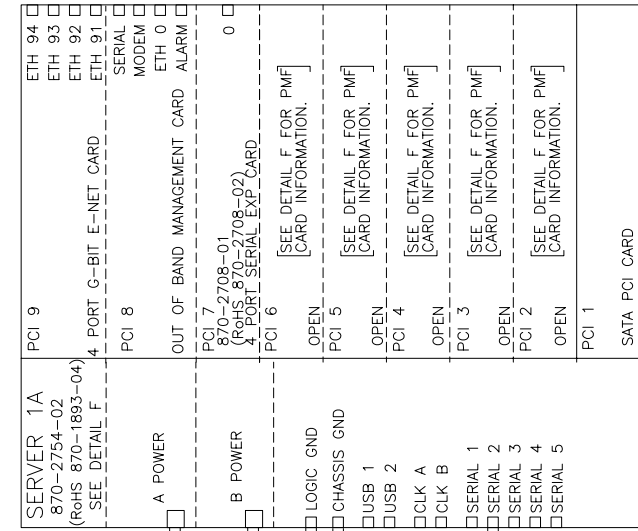
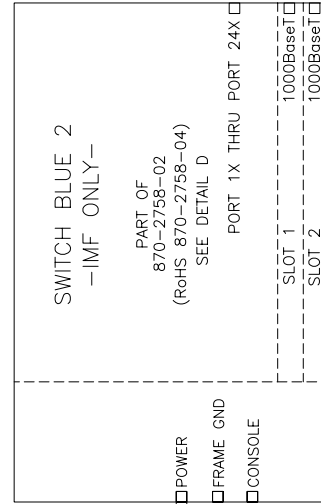
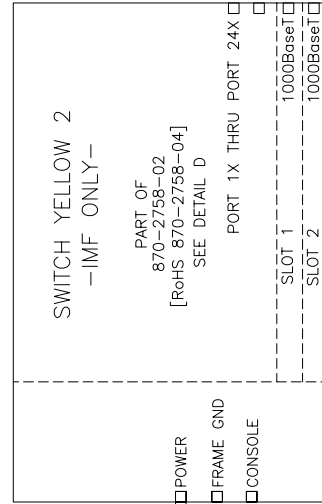
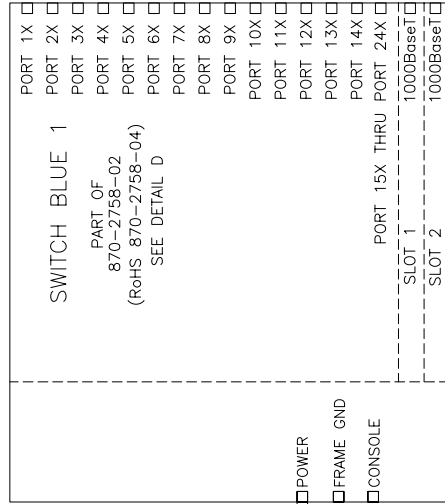
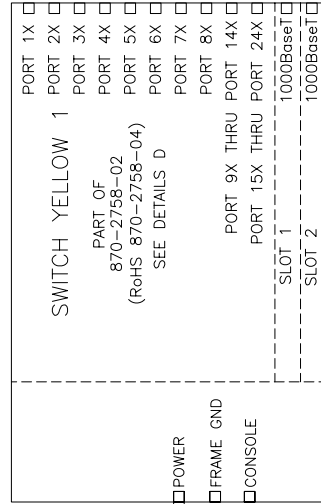


NOTES: UNLESS OTHERWISE SPECIFIED
(SEE SHEET 6 FOR NOTES)

DOCUMENT CONTROL
PRODUCTION RELEASED

REVISIONS			
REV	DESCRIPTION	DATE	APPROVED
A	REVISED PER ECN#15813	04/10/06	M.BRYAN
B	REVISED PER ECO# 16326	07/31/06	M.BRYAN



POWER CONNECTIONS AND CABLES

UNLESS OTHERWISE SPECIFIED:
DO NOT SCALE DRAWING.
DIMENSIONS ARE IN INCHES.
INTERPRET DIMENSIONS IN ACCORDANCE
WITH ASME Y14.5M-1994.
DRAWING TO CONFORM TO TEKELEC
SPECIFICATION 907-0169-01.
DEBURR AND BREAK SHARP EDGES
AND CORNERS .005-.015.
MACHINED SURFACE FINISH 125 ✓
DECIMAL TOLERANCES:
.XX = ±.03 .XXX = ±.010
ANGLE TOLERANCE: ± 1°

APPROVALS	DATE
DRAWN BY H.HASTINGS	1/30/06
CHECKED M.BRYAN	3/20/06
APPROVED M.BRYAN	3/20/06
FINISH	MATERIAL

TEKELEC 5200 Paramount Parkway
Morrisville, NC 27560 USA

INTERCONNECT DIAGRAM
SYSTEM_IMF/PMF_
AC FRAME ASSY

SIZE	DIVISION	DRAWING NO.	REV.
D	CSSG	892-0071-01	B

SCALE: NONE FILE NAME: SHEET 1 OF 8

REVISIONS		
LTR	DESCRIPTION	DATE

SERVER 1B
870-2754-02
(RoHS 870-1893-04)
SEE DETAIL F

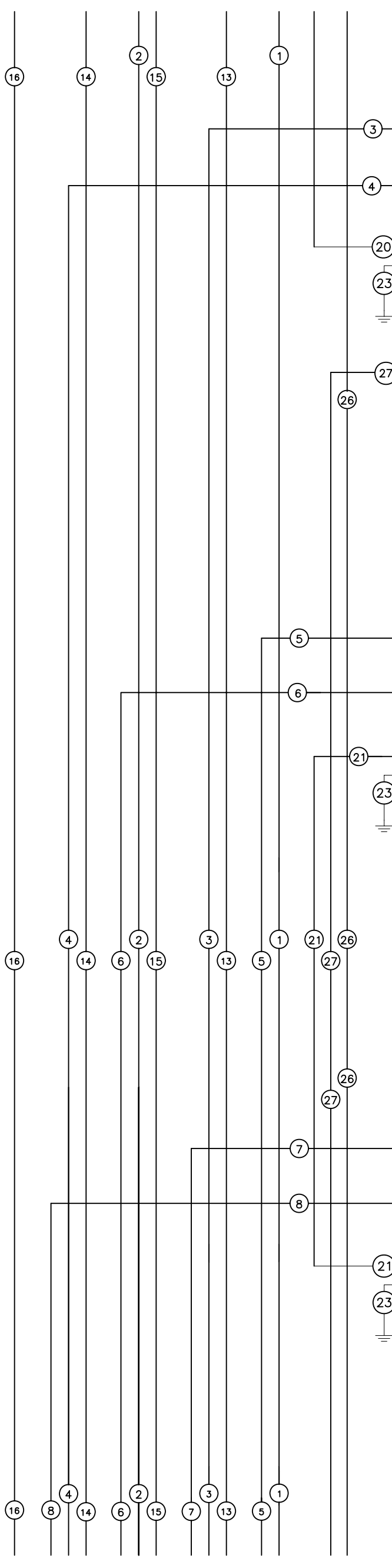
<input type="checkbox"/> A POWER	PCI 9	ETH 94 <input type="checkbox"/>
<input type="checkbox"/> B POWER	PCI 8	ETH 93 <input type="checkbox"/>
<input type="checkbox"/> LOGIC GND	4 PORT G-BIT E-NET CARD	ETH 92 <input type="checkbox"/>
<input type="checkbox"/> CHASSIS GND	OUT OF BAND MANAGEMENT CARD	ETH 91 <input type="checkbox"/>
<input type="checkbox"/> USB 1	PCI 7	SERIAL <input type="checkbox"/>
<input type="checkbox"/> USB 2	OPEN	MODEM <input type="checkbox"/>
<input type="checkbox"/> CLK A	PCI 6	ETH 0 <input type="checkbox"/>
<input type="checkbox"/> CLK B	OPEN	ALARM <input type="checkbox"/>
<input type="checkbox"/> SERIAL 1	PCI 5	
<input type="checkbox"/> SERIAL 2	OPEN	
<input type="checkbox"/> SERIAL 3	PCI 4	[SEE DETAIL F FOR PMF CARD INFORMATION.]
<input type="checkbox"/> SERIAL 4	OPEN	
<input type="checkbox"/> SERIAL 5	PCI 3	[SEE DETAIL F FOR PMF CARD INFORMATION.]
	OPEN	
	PCI 2	[SEE DETAIL F FOR PMF CARD INFORMATION.]
	OPEN	
	PCI 1	
	SATA PCI CARD	

SERVER 1C
870-2754-02
(RoHS 870-1893-04)
SEE DETAIL F

<input type="checkbox"/> A POWER	PCI 9	ETH 94 <input type="checkbox"/>
<input type="checkbox"/> B POWER	PCI 8	ETH 93 <input type="checkbox"/>
<input type="checkbox"/> LOGIC GND	4 PORT G-BIT E-NET CARD	ETH 92 <input type="checkbox"/>
<input type="checkbox"/> CHASSIS GND	OUT OF BAND MANAGEMENT CARD	ETH 91 <input type="checkbox"/>
<input type="checkbox"/> USB 1	PCI 7	SERIAL <input type="checkbox"/>
<input type="checkbox"/> USB 2	OPEN	MODEM <input type="checkbox"/>
<input type="checkbox"/> CLK A	PCI 6	ETH 0 <input type="checkbox"/>
<input type="checkbox"/> CLK B	OPEN	ALARM <input type="checkbox"/>
<input type="checkbox"/> SERIAL 1	PCI 5	
<input type="checkbox"/> SERIAL 2	OPEN	
<input type="checkbox"/> SERIAL 3	PCI 4	[SEE DETAIL F FOR PMF CARD INFORMATION.]
<input type="checkbox"/> SERIAL 4	OPEN	
<input type="checkbox"/> SERIAL 5	PCI 3	[SEE DETAIL F FOR PMF CARD INFORMATION.]
	OPEN	
	PCI 2	[SEE DETAIL F FOR PMF CARD INFORMATION.]
	OPEN	
	PCI 1	
	SATA PCI CARD	

SERVER 1D
870-2754-02
(RoHS 870-1893-04)
SEE DETAIL F

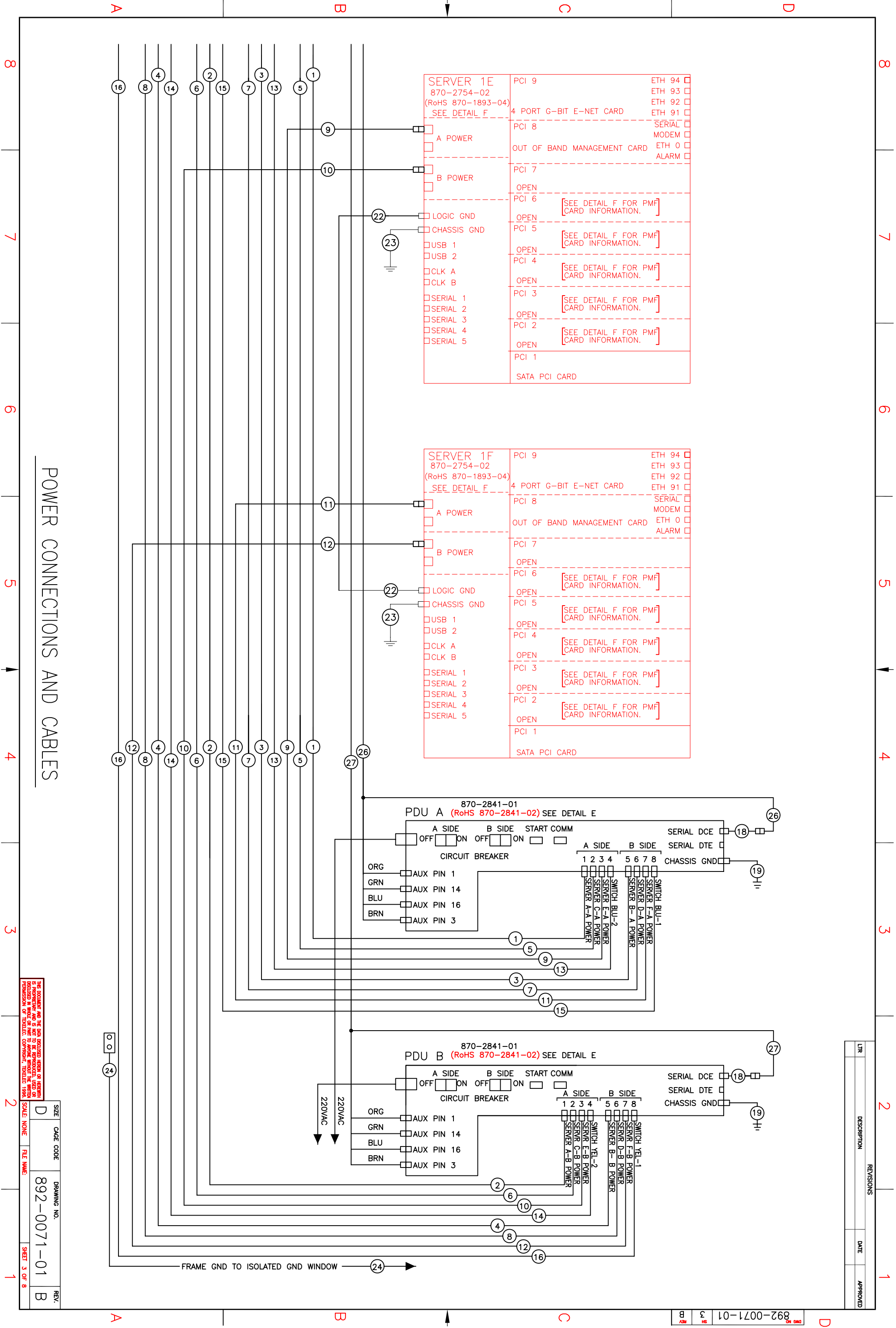
<input type="checkbox"/> A POWER	PCI 9	ETH 94 <input type="checkbox"/>
<input type="checkbox"/> B POWER	PCI 8	ETH 93 <input type="checkbox"/>
<input type="checkbox"/> LOGIC GND	4 PORT G-BIT E-NET CARD	ETH 92 <input type="checkbox"/>
<input type="checkbox"/> CHASSIS GND	OUT OF BAND MANAGEMENT CARD	ETH 91 <input type="checkbox"/>
<input type="checkbox"/> USB 1	PCI 7	SERIAL <input type="checkbox"/>
<input type="checkbox"/> USB 2	OPEN	MODEM <input type="checkbox"/>
<input type="checkbox"/> CLK A	PCI 6	ETH 0 <input type="checkbox"/>
<input type="checkbox"/> CLK B	OPEN	ALARM <input type="checkbox"/>
<input type="checkbox"/> SERIAL 1	PCI 5	
<input type="checkbox"/> SERIAL 2	OPEN	
<input type="checkbox"/> SERIAL 3	PCI 4	[SEE DETAIL F FOR PMF CARD INFORMATION.]
<input type="checkbox"/> SERIAL 4	OPEN	
<input type="checkbox"/> SERIAL 5	PCI 3	[SEE DETAIL F FOR PMF CARD INFORMATION.]
	OPEN	
	PCI 2	[SEE DETAIL F FOR PMF CARD INFORMATION.]
	OPEN	
	PCI 1	
	SATA PCI CARD	



POWER CONNECTIONS AND CABLES

SIZE	CAGE CODE	DRAWING NO.	REV.
D		892-0071-01	B
SCALE: NONE		FILE NAME:	SHEET 2 OF 8

THIS DOCUMENT AND THE DATA DESCRIBED HEREIN OR REFERRED TO HEREIN IS UNCLASSIFIED EXCEPT WHERE SHOWN OTHERWISE. IT IS THE PROPERTY OF THE UNITED STATES GOVERNMENT AND IS LOANED TO YOUR AGENCY WITHOUT THE WRITTEN PERMISSION OF THE UNITED STATES GOVERNMENT. (FORM 1898)

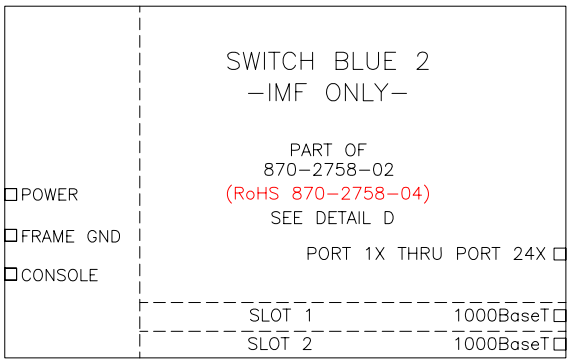
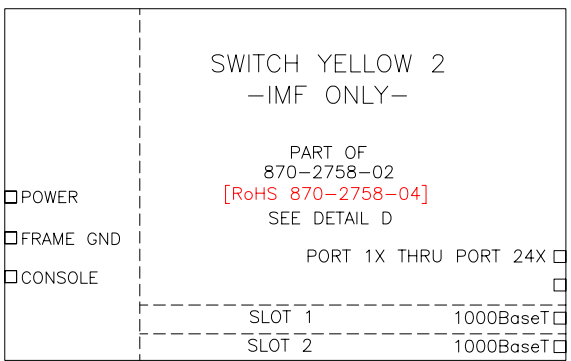
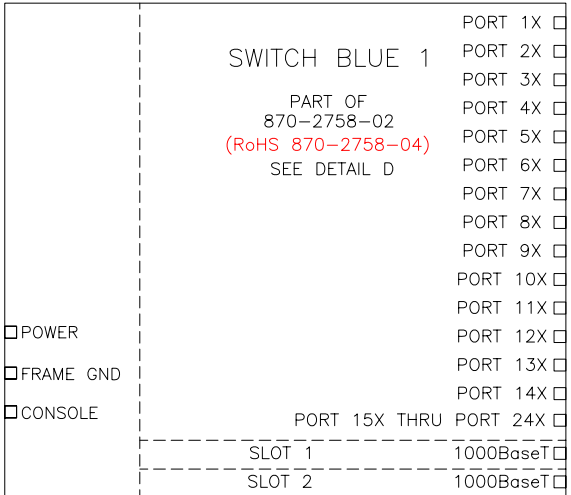
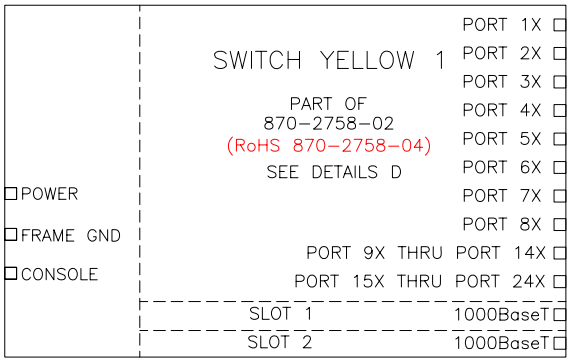


POWER CONNECTIONS AND CABLES

THIS DOCUMENT AND THE DATA INCLUDED HEREIN ARE THE PROPERTY OF ORIGINATOR AND ARE NOT TO BE REPRODUCED, USED OR TRANSMITTED IN ANY FORM OR BY ANY MEANS, ELECTRONIC OR MECHANICAL, INCLUDING PHOTOCOPYING, RECORDING, OR BY ANY INFORMATION STORAGE AND RETRIEVAL SYSTEM.

SIZE	CAGE CODE	DRAWING NO.	REV.
D		892-0071-01	B
SCALE: NONE	FILE NAME:		
		SHEET 3 OF 8	

REV	DATE	DESCRIPTION



SERVER 1A 870-2754-02 (RoHS 870-1893-04) SEE DETAIL F	PCI 9	ETH 94 <input type="checkbox"/>
		ETH 93 <input type="checkbox"/>
		ETH 92 <input type="checkbox"/>
	4 PORT G-BIT E-NET CARD	ETH 91 <input type="checkbox"/>
	PCI 8	SERIAL <input type="checkbox"/>
		MODEM <input type="checkbox"/>
		ETH 0 <input type="checkbox"/>
	OUT OF BAND MANAGEMENT CARD	ALARM <input type="checkbox"/>
	PCI 7	0 <input type="checkbox"/>
	870-2708-01 (RoHS 870-2708-02) 4 PORT SERIAL EXP CARD	
<input type="checkbox"/> LOGIC GND <input type="checkbox"/> CHASSIS GND	PCI 6	[SEE DETAIL F FOR PMF CARD INFORMATION.]
	OPEN	[SEE DETAIL F FOR PMF CARD INFORMATION.]
	PCI 5	[SEE DETAIL F FOR PMF CARD INFORMATION.]
	OPEN	[SEE DETAIL F FOR PMF CARD INFORMATION.]
	PCI 4	[SEE DETAIL F FOR PMF CARD INFORMATION.]
<input type="checkbox"/> USB 1 <input type="checkbox"/> USB 2 <input type="checkbox"/> CLK A <input type="checkbox"/> CLK B	OPEN	[SEE DETAIL F FOR PMF CARD INFORMATION.]
	PCI 3	[SEE DETAIL F FOR PMF CARD INFORMATION.]
	OPEN	[SEE DETAIL F FOR PMF CARD INFORMATION.]
<input type="checkbox"/> SERIAL 1 <input type="checkbox"/> SERIAL 2 <input type="checkbox"/> SERIAL 3 <input type="checkbox"/> SERIAL 4 <input type="checkbox"/> SERIAL 5	PCI 2	[SEE DETAIL F FOR PMF CARD INFORMATION.]
	OPEN	[SEE DETAIL F FOR PMF CARD INFORMATION.]
	PCI 1	
	SATA PCI CARD	

DATA CONNECTIONS AND CABLES

THIS DOCUMENT AND THE DATA PROVIDED HEREIN OR HEREON IS UNCLASSIFIED AND IS NOT TO BE REPRODUCED, USED OR DISCLOSED IN ANY MANNER WITHOUT THE WRITTEN PERMISSION OF THE U.S. GOVERNMENT.

SIZE	CAGE CODE	DRAWING NO.	REV.
D		892-0071-01	B
SCALE: NONE	FILE NAME:		SHEET 4 OF 8

REVISIONS		
LTR	DESCRIPTION	DATE

REVISIONS		
LR	DESCRIPTION	DATE

SERVER 1B 870-2754-02 (RoHS 870-1893-04) SEE DETAIL F	PCI 9	ETH 94 <input type="checkbox"/>
		ETH 93 <input type="checkbox"/>
		ETH 92 <input type="checkbox"/>
	4 PORT G-BIT E-NET CARD	ETH 91 <input type="checkbox"/>
<input type="checkbox"/> A POWER	PCI 8	SERIAL <input type="checkbox"/>
		MODEM <input type="checkbox"/>
	OUT OF BAND MANAGEMENT CARD	ETH 0 <input type="checkbox"/>
		ALARM <input type="checkbox"/>
<input type="checkbox"/> B POWER	PCI 7	
	OPEN	
<input type="checkbox"/> LOGIC GND	PCI 6	[SEE DETAIL F FOR PMF CARD INFORMATION.]
<input type="checkbox"/> CHASSIS GND	OPEN	
<input type="checkbox"/> USB 1	PCI 5	[SEE DETAIL F FOR PMF CARD INFORMATION.]
<input type="checkbox"/> USB 2	OPEN	
<input type="checkbox"/> CLK A	PCI 4	[SEE DETAIL F FOR PMF CARD INFORMATION.]
<input type="checkbox"/> CLK B	OPEN	
<input type="checkbox"/> SERIAL 1	PCI 3	[SEE DETAIL F FOR PMF CARD INFORMATION.]
<input type="checkbox"/> SERIAL 2	OPEN	
<input type="checkbox"/> SERIAL 3	PCI 2	[SEE DETAIL F FOR PMF CARD INFORMATION.]
<input type="checkbox"/> SERIAL 4	OPEN	
<input type="checkbox"/> SERIAL 5	PCI 1	
	SATA PCI CARD	

SERVER 1C 870-2754-02 (RoHS 870-1893-04) SEE DETAIL F	PCI 9	ETH 94 <input type="checkbox"/>
		ETH 93 <input type="checkbox"/>
		ETH 92 <input type="checkbox"/>
	4 PORT G-BIT E-NET CARD	ETH 91 <input type="checkbox"/>
<input type="checkbox"/> A POWER	PCI 8	SERIAL <input type="checkbox"/>
		MODEM <input type="checkbox"/>
	OUT OF BAND MANAGEMENT CARD	ETH 0 <input type="checkbox"/>
		ALARM <input type="checkbox"/>
<input type="checkbox"/> B POWER	PCI 7	
	OPEN	
<input type="checkbox"/> LOGIC GND	PCI 6	[SEE DETAIL F FOR PMF CARD INFORMATION.]
<input type="checkbox"/> CHASSIS GND	OPEN	
<input type="checkbox"/> USB 1	PCI 5	[SEE DETAIL F FOR PMF CARD INFORMATION.]
<input type="checkbox"/> USB 2	OPEN	
<input type="checkbox"/> CLK A	PCI 4	[SEE DETAIL F FOR PMF CARD INFORMATION.]
<input type="checkbox"/> CLK B	OPEN	
<input type="checkbox"/> SERIAL 1	PCI 3	[SEE DETAIL F FOR PMF CARD INFORMATION.]
<input type="checkbox"/> SERIAL 2	OPEN	
<input type="checkbox"/> SERIAL 3	PCI 2	[SEE DETAIL F FOR PMF CARD INFORMATION.]
<input type="checkbox"/> SERIAL 4	OPEN	
<input type="checkbox"/> SERIAL 5	PCI 1	
	SATA PCI CARD	

SERVER 1D 870-2754-02 (RoHS 870-1893-04) SEE DETAIL F	PCI 9	ETH 94 <input type="checkbox"/>
		ETH 93 <input type="checkbox"/>
		ETH 92 <input type="checkbox"/>
	4 PORT G-BIT E-NET CARD	ETH 91 <input type="checkbox"/>
<input type="checkbox"/> A POWER	PCI 8	SERIAL <input type="checkbox"/>
		MODEM <input type="checkbox"/>
	OUT OF BAND MANAGEMENT CARD	ETH 0 <input type="checkbox"/>
		ALARM <input type="checkbox"/>
<input type="checkbox"/> B POWER	PCI 7	
	OPEN	
<input type="checkbox"/> LOGIC GND	PCI 6	[SEE DETAIL F FOR PMF CARD INFORMATION.]
<input type="checkbox"/> CHASSIS GND	OPEN	
<input type="checkbox"/> USB 1	PCI 5	[SEE DETAIL F FOR PMF CARD INFORMATION.]
<input type="checkbox"/> USB 2	OPEN	
<input type="checkbox"/> CLK A	PCI 4	[SEE DETAIL F FOR PMF CARD INFORMATION.]
<input type="checkbox"/> CLK B	OPEN	
<input type="checkbox"/> SERIAL 1	PCI 3	[SEE DETAIL F FOR PMF CARD INFORMATION.]
<input type="checkbox"/> SERIAL 2	OPEN	
<input type="checkbox"/> SERIAL 3	PCI 2	[SEE DETAIL F FOR PMF CARD INFORMATION.]
<input type="checkbox"/> SERIAL 4	OPEN	
<input type="checkbox"/> SERIAL 5	PCI 1	
	SATA PCI CARD	

DATA CONNECTIONS AND CABLES

SIZE	CAGE CODE	DRAWING NO.	REV.
D		892-0071-01	B
SCALE: NONE	FILE NAME:		SHEET 5 OF 8

8 7 6 5 4 3 2 1

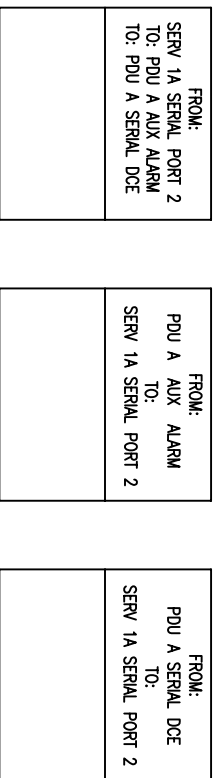
A B C D

A B C D

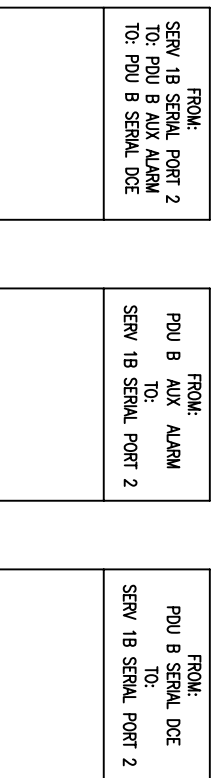
REVISIONS		
LTR	DESCRIPTION	DATE

892-0071-01
REV 6

- 1) INSTALL ALL CABLE ASSEMBLIES WITH DRESSED BEND RADI IN ACCORDANCE WITH TEKELEC CABLE BEND RADIUS SPECIFICATION 906-0020-01.
- 2) ALL INTERCONNECTION POINTS SHALL BE STRAIN RELIEVED BY POSITIVE MECHANICAL FEATURES OR FASTENERS FOR LENGTH CONFIGURATIONS.
- 3) THIS DIAGRAM AND ALL PART NUMBERS SHOWN ARE FOR REFERENCE ONLY. REFERENCE CABLE PART NUMBERS WITH XX FOR THE DASH NUMBER ARE LENGTHS THAT ARE SITE SPECIFIC.
- 4) NO ADDITIONS, DELETIONS, SUBSTITUTIONS OR MODIFICATIONS WITHOUT PRIOR WRITTEN TEKELEC APPROVAL.
- 5) SEE TEKELEC P/N 820-4844-01 FOR CURRENT LIST HARDWARE.
- 6) USE LABEL PN 617-0009-01 TO MAKE LABEL SET FOR "FROM" AND "TO" ON CABLES AS INDICATED IN THE CABLE TABLES AND/OR THE APPLICATION TR. EACH CABLE INDICATED WILL REQUIRE A MIN OF 2 LABELS AS SHOWN IN DETAIL "A." PERMANENTLY PRINT LABELS WITH .09 HIGH BLACK CHARACTERS. CENTER TEXT APPROXIMATELY AS SHOWN. MAX 23 CHARACTERS PER LINE. SEE DETAIL "B" FOR PLACEMENT OF LABELS ON CABLES. CABLES IDENTIFIED AS FIELD LABEL WILL BE LABELED AT INSTALLATION.
- 7) THIS IS A CONFIGURABLE SYSTEM. THE SALES ORDER WILL SPECIFY THE PART NUMBERS AND QUANTITIES. THIS DIAGRAM SHOWS THE MAXIMUM CONFIGURATION.
- 8) THE SECOND IMF FRAME DOES NOT CONNECT TO THE CUSTOMERS NETWORK. THE ONLY CONNECTION TO THE CUSTOMERS NETWORK WILL BE THROUGH FRAME ONE. (SEE SHEET 7, DIAGRAM C).
- 9) NOT USED.
- 10) (FROM SHEET 4) PART OF EXPANSION SWITCH KIT 840-0166-01 (RoHS 840-0169-04). (BASE FRAME ONLY HAS 2 SWITCHES).
- 11) (FROM SHEET 4) NEXT FRAME REQUIRES 840-0165-01 (RoHS 840-0169-03) SECOND FRAME KIT. (SEE DIAGRAM "A").
- 12) USE 3 LABELS P/N 617-0009-01 TO LABEL CABLE ITEMS 26 AND 27. (SEE EXAMPLES BELOW).



12 EXAMPLE OF LABELS FOR ITEM 26



12 EXAMPLE OF LABELS FOR ITEM 27

SERVER 1E 870-2754-02 (RoHS 870-1893-04) SEE DETAIL F	PCI 9	ETH 94 <input type="checkbox"/>
		ETH 93 <input type="checkbox"/>
		ETH 92 <input type="checkbox"/>
		ETH 91 <input type="checkbox"/>
<input type="checkbox"/> A POWER	PCI 8	SERIAL <input type="checkbox"/>
		MODEM <input type="checkbox"/>
		ETH 0 <input type="checkbox"/>
		ALARM <input type="checkbox"/>
<input type="checkbox"/> B POWER	PCI 7	
	OPEN	
<input type="checkbox"/> LOGIC GND	PCI 6	[SEE DETAIL F FOR PMF CARD INFORMATION.]
<input type="checkbox"/> CHASSIS GND	PCI 5	[SEE DETAIL F FOR PMF CARD INFORMATION.]
<input type="checkbox"/> USB 1	OPEN	
<input type="checkbox"/> USB 2	PCI 4	[SEE DETAIL F FOR PMF CARD INFORMATION.]
<input type="checkbox"/> CLK A	OPEN	
<input type="checkbox"/> CLK B	PCI 3	[SEE DETAIL F FOR PMF CARD INFORMATION.]
<input type="checkbox"/> SERIAL 1	OPEN	
<input type="checkbox"/> SERIAL 2	PCI 2	[SEE DETAIL F FOR PMF CARD INFORMATION.]
<input type="checkbox"/> SERIAL 3	OPEN	
<input type="checkbox"/> SERIAL 4	OPEN	
<input type="checkbox"/> SERIAL 5	PCI 1	
		SATA PCI CARD

SERVER 1F 870-2754-02 (RoHS 870-1893-04) SEE DETAIL F	PCI 9	ETH 94 <input type="checkbox"/>
		ETH 93 <input type="checkbox"/>
		ETH 92 <input type="checkbox"/>
		ETH 91 <input type="checkbox"/>
<input type="checkbox"/> A POWER	PCI 8	SERIAL <input type="checkbox"/>
		MODEM <input type="checkbox"/>
		ETH 0 <input type="checkbox"/>
		ALARM <input type="checkbox"/>
<input type="checkbox"/> B POWER	PCI 7	
	OPEN	
<input type="checkbox"/> LOGIC GND	PCI 6	[SEE DETAIL F FOR PMF CARD INFORMATION.]
<input type="checkbox"/> CHASSIS GND	PCI 5	[SEE DETAIL F FOR PMF CARD INFORMATION.]
<input type="checkbox"/> USB 1	OPEN	
<input type="checkbox"/> USB 2	PCI 4	[SEE DETAIL F FOR PMF CARD INFORMATION.]
<input type="checkbox"/> CLK A	OPEN	
<input type="checkbox"/> CLK B	PCI 3	[SEE DETAIL F FOR PMF CARD INFORMATION.]
<input type="checkbox"/> SERIAL 1	OPEN	
<input type="checkbox"/> SERIAL 2	PCI 2	[SEE DETAIL F FOR PMF CARD INFORMATION.]
<input type="checkbox"/> SERIAL 3	OPEN	
<input type="checkbox"/> SERIAL 4	OPEN	
<input type="checkbox"/> SERIAL 5	PCI 1	
		SATA PCI CARD

DATA CONNECTIONS AND CABLES

THIS DOCUMENT AND THE DATA DISCUSSED HEREIN OR REFERRED TO HEREIN IS PROPRIETARY AND IS NOT TO BE REPRODUCED, USED OR DISCLOSED IN WHOLE OR PART TO ANYONE WITHOUT THE WRITTEN PERMISSION OF THE ETEC CORPORATION, INVENTED 1988.

SIZE	QAGE CODE	DRAWING NO.	REV.
D		892-0071-01	B
SCALE: NONE	FILE NAME:	SHEET 6 OF 8	

8 7 6 5 4 3 2 1

TABLE B - DATA CABLE PART NUMBERS

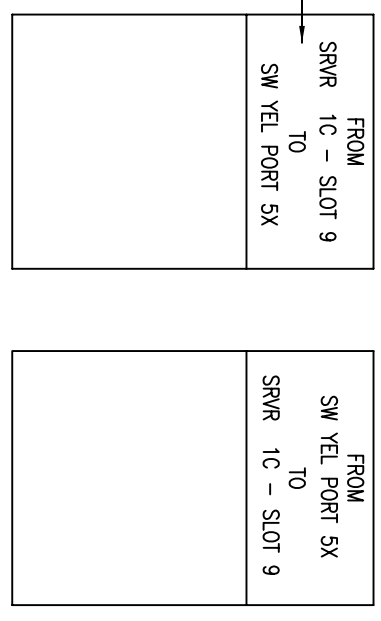
ITEM NO.	TEKELEC P/N	Rohs TEKELEC P/N	QTY	LENGTH (FT)	RUN LIST AND LABEL INFORMATION FOR FROM AND TO	6	LABEL REQUIRED
30	870-2708-01	870-2708-02	1	3.00	4 PORT SERIAL CABLE SUPPLIED WITH PCI CARD. (HDB-44 TO 4 DB-9)		NO
31	830-0880-01	830-1165-01	1	25.00	RJ11 TO RJ11 PHONE LINE		NO
32	830-0888-03	830-1191-03	1	6.00	FROM SERVER 1A SLOT 9 ETH 91/TO SW YEL PORT 3X		YES
33	830-0888-05	830-1191-05	1	7.00	FROM SERVER 1B SLOT 9 ETH 91/TO SW YEL PORT 4X		YES
34	830-0888-06	830-1191-06	1	8.00	FROM SERVER 1C SLOT 9 ETH 91/TO SW YEL PORT 5X		YES
35	830-0888-08	830-1191-08	1	8.00	FROM SERVER 1D SLOT 9 ETH 91/TO SW YEL PORT 6X		YES
36	830-0888-07	830-1191-07	1	10.00	FROM SERVER 1E SLOT 9 ETH 91/TO SW YEL PORT 7X		YES
37	830-0888-07	830-1191-07	1	10.00	FROM SERVER 1F SLOT 9 ETH 91/TO SW YEL PORT 8X		YES
38	830-0889-03	830-1192-03	1	6.00	FROM SERVER 1A SLOT 9 ETH 93/TO SW BLU PORT 3X		YES
39	830-0889-05	830-1192-05	1	7.00	FROM SERVER 1B SLOT 9 ETH 93/TO SW BLU PORT 4X		YES
40	830-0889-06	830-1192-06	1	6.00	FROM SERVER 1C SLOT 9 ETH 93/TO SW BLU PORT 5X		YES
41	830-0889-08	830-1192-08	1	6.00	FROM SERVER 1D SLOT 9 ETH 93/TO SW BLU PORT 6X		YES
42	830-0889-07	830-1192-07	1	10.00	FROM SERVER 1E SLOT 9 ETH 93/TO SW BLU PORT 7X		YES
43	830-0889-07	830-1192-07	1	10.00	FROM SERVER 1F SLOT 9 ETH 93/TO SW BLU PORT 8X		YES
44	830-0724-06	830-1174-06	1	6.00	FROM SERVER 1A SLOT 8 ETH 07/TO SW BLU PORT 9X		YES
45	830-0724-07	830-1174-07	1	7.00	FROM SERVER 1B SLOT 8 ETH 07/TO SW BLU PORT 10X		YES
46	830-0724-67	830-1174-67	1	8.00	FROM SERVER 1C SLOT 8 ETH 07/TO SW BLU PORT 11X		YES
47	830-0724-67	830-1174-67	1	8.00	FROM SERVER 1D SLOT 8 ETH 07/TO SW BLU PORT 12X		YES
48	830-0724-02	830-1174-02	1	10.00	FROM SERVER 1E SLOT 8 ETH 07/TO SW BLU PORT 13X		YES
49	830-0724-02	830-1174-02	1	10.00	FROM SERVER 1F SLOT 8 ETH 07/TO SW BLU PORT 14X		YES
50	NOT USED	NOT USED					
51	NOT USED	NOT USED					
52	830-1074-06	830-1220-06	1	6.00	FROM SERVER 1B SERIAL 3 / TO SERVER 1C OOB SERIAL		YES
53	830-1074-06	830-1220-06	1	6.00	FROM SERVER 1C SERIAL 3 / TO SERVER 1D OOB SERIAL		YES
54	830-1074-06	830-1220-06	1	6.00	FROM SERVER 1D SERIAL 3 / TO SERVER 1E OOB SERIAL		YES
55	830-1074-08	830-1220-06	1	6.00	FROM SERVER 1E SERIAL 3 / TO SERVER 1F OOB SERIAL		YES
56	830-1092-01	830-1229-01	1	3.00	FROM SWITCH YEL 1-1 CONSOLE / TO SERVER 1A SLOT 7 SERIAL PORT 1		YES
57	830-1092-01	830-1229-01	1	3.00	FROM SWITCH YEL 1-1 CONSOLE / TO SERVER 1A SLOT 7 SERIAL PORT 2		YES
58	830-1092-01	830-1229-01	1	3.00	FROM SWITCH YEL 2-1 CONSOLE / TO SERVER 1A SLOT 7 SERIAL PORT 3		YES
59	830-1092-01	830-1229-01	1	3.00	FROM SWITCH YEL 2-1 CONSOLE / TO SERVER 1A SLOT 7 SERIAL PORT 4		YES
60	CUSTOMER SUPPLIED	CUSTOMER SUPPLIED	4		TO CUSTOMER NETWORK-R445 STRAIGHT THRU OR CROSS-OVER		FIELD LABEL
61	830-0788-XX	830-1177-XX	AR		SITE SPECIFIC		FIELD LABEL
62	830-0724-XX	830-1174-XX	2		SITE SPECIFIC		FIELD LABEL
63	NOT USED	NOT USED					
64	830-1074-06	830-1220-06	1	6.00	FROM SERVER 1A SERIAL 3 / TO SERVER 1B OOB SERIAL		YES
65	830-1074-06	830-1220-06	1	6.00	FROM SERVER 1B SERIAL 4 / TO SERVER 1A OOB SERIAL		YES
66	830-0724-05	830-1174-05	1	1.00	FROM SWITCH YEL 1 SLOT 2 GIG MODULE / TO SWITCH YEL 2 SLOT 1 GIG MODULE		YES
67	830-0724-05	830-1174-05	1	1.00	FROM SWITCH YEL 1 SLOT 2 GIG MODULE / TO SWITCH YEL 2 SLOT 1 GIG MODULE		YES

TABLE A - POWER CABLE PART NUMBERS

ITEM NO.	TEKELEC P/N	Rohs TEKELEC P/N	QTY	LENGTH	RUN LIST AND LABEL INFORMATION FOR FROM AND TO	6	LABEL REQUIRED
1	830-1903-01	830-1903-02	1	96.00 INCHES	FROM: SERVER A - A POWER / TO: PDU A POS 1		YES
2	830-1903-01	830-1903-02	1	96.00 INCHES	FROM: SERVER A - B POWER / TO: PDU B POS 1		YES
3	830-1903-01	830-1903-02	1	96.00 INCHES	FROM: SERVER B - A POWER / TO: PDU A POS 5		YES
4	830-1903-01	830-1903-02	1	96.00 INCHES	FROM: SERVER B - B POWER / TO: PDU B POS 5		YES
5	830-1903-01	830-1903-02	1	96.00 INCHES	FROM: SERVER C - A POWER / TO: PDU A POS 2		YES
6	830-1903-01	830-1903-02	1	96.00 INCHES	FROM: SERVER C - B POWER / TO: PDU B POS 2		YES
7	830-1903-01	830-1903-02	1	96.00 INCHES	FROM: SERVER D - A POWER / TO: PDU A POS 6		YES
8	830-1903-01	830-1903-02	1	96.00 INCHES	FROM: SERVER D - B POWER / TO: PDU B POS 6		YES
9	830-1903-01	830-1903-02	1	96.00 INCHES	FROM: SERVER E - A POWER / TO: PDU A POS 3		YES
10	830-1903-01	830-1903-02	1	96.00 INCHES	FROM: SERVER E - B POWER / TO: PDU B POS 3		YES
11	830-1903-01	830-1903-02	1	96.00 INCHES	FROM: SERVER F - A POWER / TO: PDU A POS 7		YES
12	830-1903-01	830-1903-02	1	96.00 INCHES	FROM: SERVER F - B POWER / TO: PDU B POS 7		YES
13	830-1903-01	830-1903-02	1	96.00 INCHES	FROM: SW YEL-2 / TO: PDU A POS 4		YES
14	830-1903-01	830-1903-02	1	96.00 INCHES	FROM: SW YEL-2 / TO: PDU B POS 4		YES
15	830-1903-01	830-1903-02	1	96.00 INCHES	FROM: SW YEL-1 / TO: PDU A POS 8		YES
16	830-1903-01	830-1903-02	1	96.00 INCHES	FROM: SW YEL-1 / TO: PDU B POS 8		YES
17	NOT USED	NOT USED					
18	804-1929-01	804-1929-02	2	NA	OPTO-ISOLATOR DB9M-DB9F PDU A SERIAL DCE		NO
19	830-0822-01	830-1247-01	2	18.00 INCHES	FROM: PDU CHASSIS / TO: FRAME GND		YES
20	830-1075-01	830-1221-01	1	96.00 INCHES	FROM: SERVER A LOGIC GND / TO: SERVER B LOGIC GND		YES
21	830-1075-01	830-1221-01	1	96.00 INCHES	FROM: SERVER C LOGIC GND / TO: SERVER D LOGIC GND		YES
22	830-1075-01	830-1221-01	1	96.00 INCHES	FROM: SERVER E LOGIC GND / TO: SERVER F LOGIC GND		YES
23	830-0927-01	830-1124-01	6	24.00 INCHES	FROM: FRAME CHASSIS GND / TO: FRAME		YES
24	830-0713-03	830-1171-03	1	84.00 INCHES	FROM: FRAME GROUND FROM: ENCLOSURE TO: ISOLATED GROUND WINDOW		YES
26	830-1076-01	830-1222-01	1	121.00 INCHES	FROM: SERVER A SERIAL 2 / TO: PDU A AUX ALARMS		YES
27	830-1076-02	830-1222-02	1	133.00 INCHES	FROM: SERVER B SERIAL 2 / TO: PDU B AUX ALARMS		YES

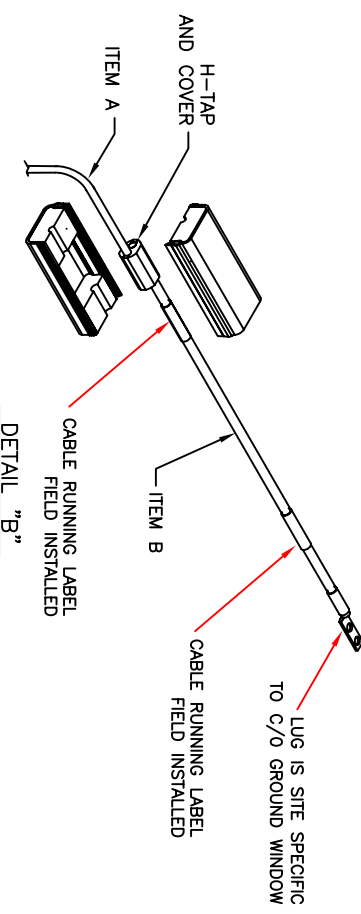
TABLE F - SYSTEM FRAME GROUND CABLING

DISTANCE	CABLE P/N	CABLE AWG	ITEM A (830-0715-XX SUPPLIED WITH FRAME) TERMINAL LUG P/N	HEAT SHRINK P/N	ITEM B CABLE P/N	CABLE AWG	H-TAP (A TO B CONNECTION) H TAP P/N	COMMENT
0' - 40'	680-0131-01	6	502-0085-01	804-0228-01	680-0131-01	6	804-0865-01	CABLE LENGTH IS SITE-SPECIFIC
40' - 160'	680-0108-01	6	502-0085-01	804-0228-01	680-0108-07	1/0	804-0865-01	CABLE LENGTH IS SITE-SPECIFIC



EXAMPLE OF TEXT REVERSED FROM FIRST LABEL SHOWN IN TABLES

DETAIL A CABLE LABEL EXAMPLE USING CABLE ITEM NO. 34



DETAIL "B" (SEE TABLE F)

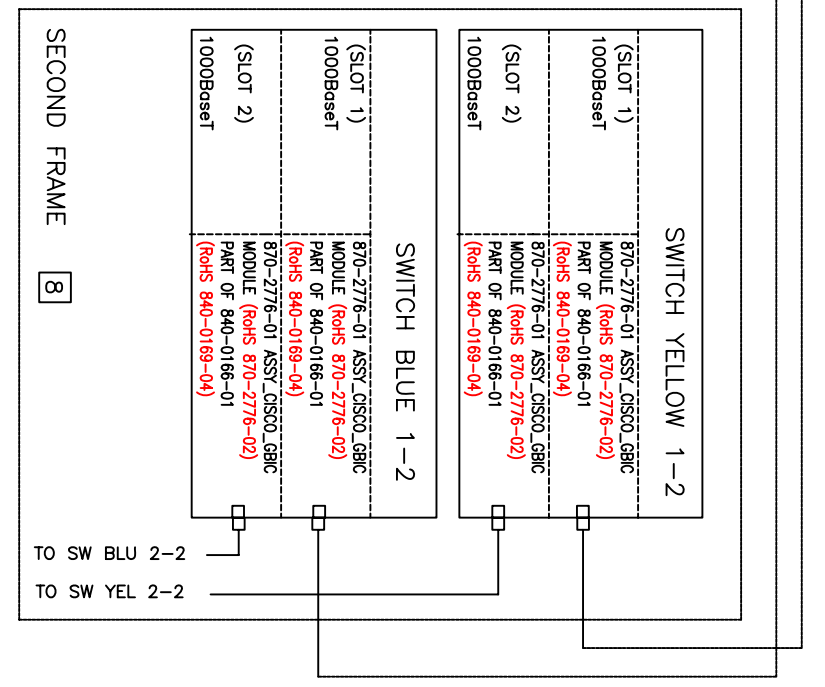
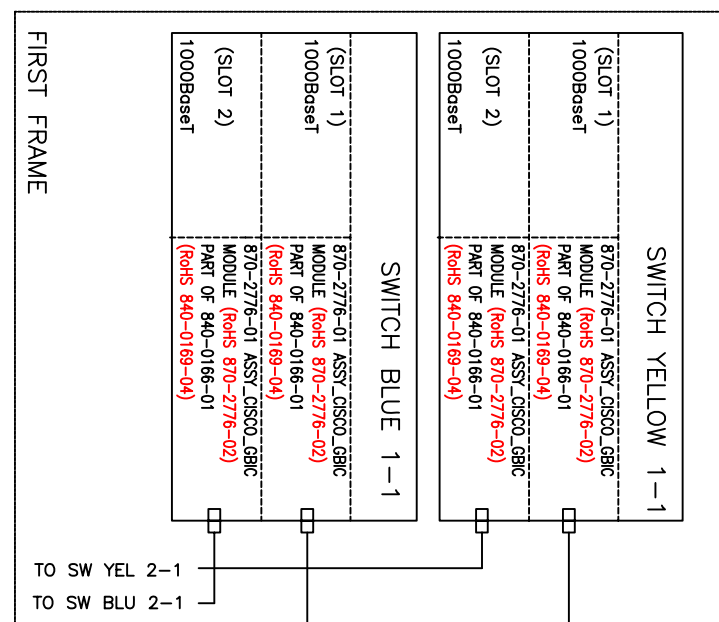
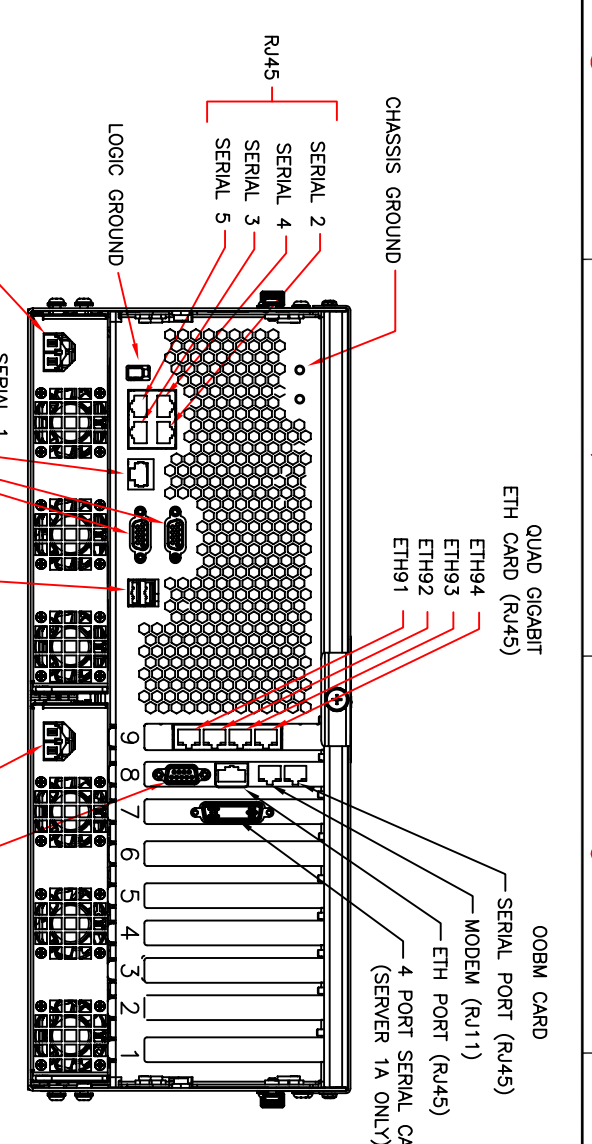


DIAGRAM C IMF LINK INTERCONNECTION

REV.	B
DRAWING NO.	892-0071-01
SCALE	NONE
FILE NAME	
SHEET	7 OF 8

REV.	DATE	DESCRIPTION	APPROVED
1			

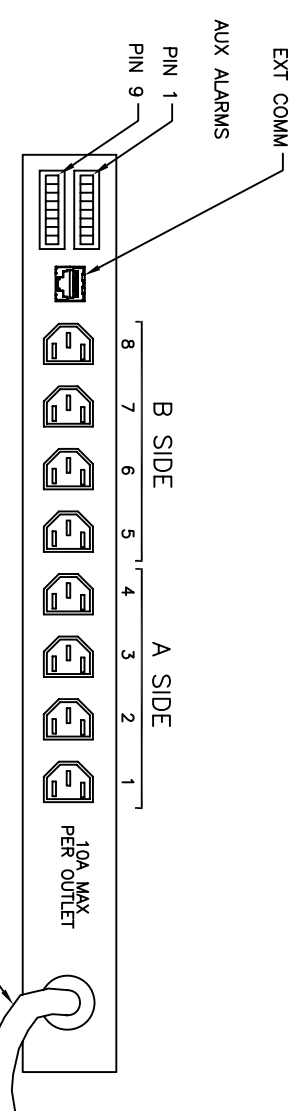
892-0071-01
REV B



SERVER (REAR VIEW) 870-2754-XX W/ PCI CARDS:
(Rohs 870-1893-XX)

PCI SLOT	BIT	MHZ	CARD
1	64	133	SATA
2	64	66	PROBE (SEE DETAIL H)
3	64	66	PROBE (SEE DETAIL H)
4	64	66	PROBE (SEE DETAIL H)
5	64	66	PROBE (SEE DETAIL H)
6	64	66	PROBE (SEE DETAIL H)
7	32	33	4 PORT SERIAL (SERVER A ONLY)
8	32	33	OOBM
9	8	1000	4 PORT ETHERNET

DETAIL F



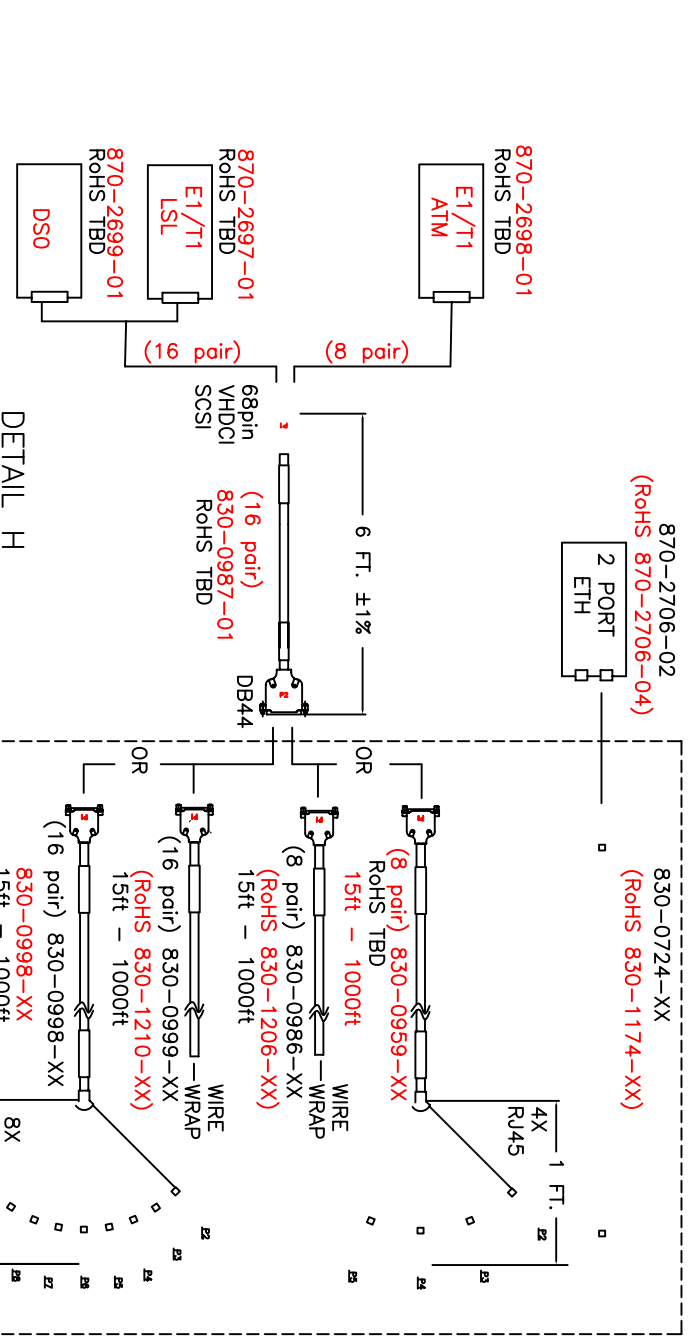
REAR VIEW

FRONT VIEW-PDU

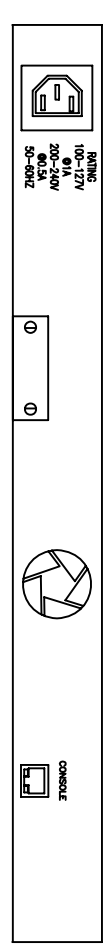
CIRCUIT BREAKER A
CONTROLS OUTLETS 1-4

CIRCUIT BREAKER B
CONTROLS OUTLETS 5-8

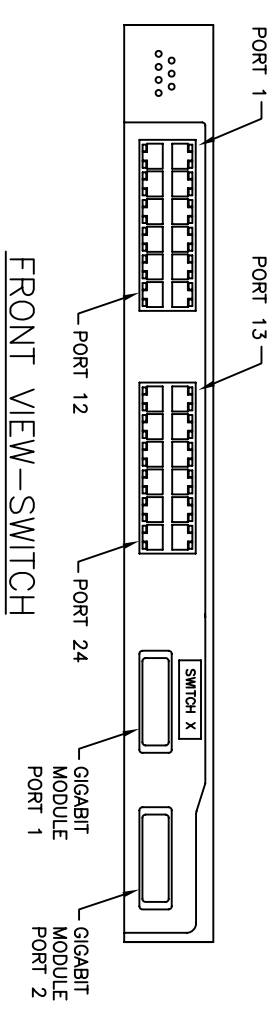
DETAIL E
PDU A AND B
PN 870-2841-01
(Rohs 870-2841-02)



DETAIL H
(PMF SYSTEMS)
PROBE INTERFACE CARDS & CABLE ASSEMBLIES
(SEE DETAIL F)



REAR VIEW



FRONT VIEW-SWITCH

DETAIL D
SWITCH YEL & BLU, 1 & 2
PN 870-2758-02
Rohs TBD

SIZE: D	CAGE CODE: NONE	DRAWING NO.: 892-0071-01	REV.: B
SCALE: NONE	FILE NAME:	SHEET 8 OF 8	

THIS DOCUMENT AND THE DATA DISCLOSED HEREIN OR HEREUNDER IS UNCLASSIFIED EXCEPT WHERE SHOWN OTHERWISE. IT IS THE PROPERTY OF THE U.S. GOVERNMENT AND IS LOANED TO YOUR AGENCY WITHOUT LIMITING THE RIGHTS AND PERMISSIONS OF THE U.S. GOVERNMENT. IT IS THE PROPERTY OF THE U.S. GOVERNMENT AND IS LOANED TO YOUR AGENCY WITHOUT LIMITING THE RIGHTS AND PERMISSIONS OF THE U.S. GOVERNMENT. IT IS THE PROPERTY OF THE U.S. GOVERNMENT AND IS LOANED TO YOUR AGENCY WITHOUT LIMITING THE RIGHTS AND PERMISSIONS OF THE U.S. GOVERNMENT. IT IS THE PROPERTY OF THE U.S. GOVERNMENT AND IS LOANED TO YOUR AGENCY WITHOUT LIMITING THE RIGHTS AND PERMISSIONS OF THE U.S. GOVERNMENT.