

**Oracle Utilities Extractors and Schema
for Oracle Utilities Work and Asset
Management**

Data Mapping Guide

Release 2.5.1 Service Pack 1

E49014-04

November 2014

Copyright © 2013, 2014 Oracle and/or its affiliates. All rights reserved.

This software and related documentation are provided under a license agreement containing restrictions on use and disclosure and are protected by intellectual property laws. Except as expressly permitted in your license agreement or allowed by law, you may not use, copy, reproduce, translate, broadcast, modify, license, transmit, distribute, exhibit, perform, publish, or display any part, in any form, or by any means. Reverse engineering, disassembly, or decompilation of this software, unless required by law for interoperability, is prohibited.

The information contained herein is subject to change without notice and is not warranted to be error-free. If you find any errors, please report them to us in writing.

If this is software or related documentation that is delivered to the U.S. Government or anyone licensing it on behalf of the U.S. Government, the following notice is applicable:

U.S. GOVERNMENT END USERS: Oracle programs, including any operating system, integrated software, any programs installed on the hardware, and/or documentation, delivered to U.S. Government end users are “commercial computer software” pursuant to the applicable Federal Acquisition Regulation and agency-specific supplemental regulations. As such, use, duplication, disclosure, modification, and adaptation of the programs, including any operating system, integrated software, any programs installed on the hardware, and/or documentation, shall be subject to license terms and license restrictions applicable to the programs. No other rights are granted to the U.S. Government.

This software or hardware is developed for general use in a variety of information management applications. It is not developed or intended for use in any inherently dangerous applications, including applications that may create a risk of personal injury. If you use this software or hardware in dangerous applications, then you shall be responsible to take all appropriate fail-safe, backup, redundancy, and other measures to ensure its safe use. Oracle Corporation and its affiliates disclaim any liability for any damages caused by use of this software or hardware in dangerous applications.

Oracle and Java are registered trademarks of Oracle and/or its affiliates. Other names may be trademarks of their respective owners.

Intel and Intel Xeon are trademarks or registered trademarks of Intel Corporation. All SPARC trademarks are used under license and are trademarks or registered trademarks of SPARC International, Inc. AMD, Opteron, the AMD logo, and the AMD Opteron logo are trademarks or registered trademarks of Advanced Micro Devices. UNIX is a registered trademark of The Open Group.

This software or hardware and documentation may provide access to or information on content, products, and services from third parties. Oracle Corporation and its affiliates are not responsible for and expressly disclaim all warranties of any kind with respect to third-party content, products, and services. Oracle Corporation and its affiliates will not be responsible for any loss, costs, or damages incurred due to your access to or use of third-party content, products, or services.

Contents

Preface	i-i
Audience	i-i
Related Documents	i-i
Notational Conventions	i-i
Chapter 1	
Overview	1-1
Terminologies.....	1-1
<Presentation Table Name>	1-1
Chapter 2	
Data Maps for Oracle Utilities Work and Asset Management	2-1
Dimension Extract Programs	2-2
Asset Dimension	2-2
Crew Dimension.....	2-3
Failure Dimension.....	2-5
Fiscal Period Dimension	2-7
Operational Account Dimension.....	2-8
Operational Accounting Transaction Type Dimension	2-10
Operational Expense Dimension	2-11
Operational Unit of Measure Dimension.....	2-12
Planner Dimension	2-13
Repair Dimension	2-14
Root Cause Dimension	2-15
Stock Item Type Dimension	2-17
Storeroom Dimension.....	2-19
Storeroom Transaction Type Dimension.....	2-20
Work Order Type Dimension.....	2-21
Fact Extract Programs	2-23
Operational Accounting Transaction Fact (WAM)	2-23
Storeroom Inventory Snapshot Fact (WAM)	2-24
Storeroom Transaction Fact (WAM).....	2-26
Work Order Task Fact (WAM).....	2-28
Dimension Table Schema.....	2-31
Asset Dimension <CD_ASSET>	2-31
Crew Dimension <CD_CREW>	2-32
Date Dimension <CD_DATE>	2-34
Failure Dimension <CD_FAILURE>.....	2-36
Fiscal Period Dimension <CD_FISCAL_CAL>	2-37
Operational Account Dimension <CD_OP_ACCT>	2-38
Operational Accounting Transaction Type Dimension <CD_OP_ACTG_TY>	2-40
Operational Expense Dimension <CD_OP_EXP>	2-40
Operational Unit of Measure Dimension <CD_OP_UOM>	2-41
Planner Dimension <CD_PLANNER>	2-42
Repair Dimension <CD_REPAIR>	2-43
Root Cause Dimension <CD_ROOT_CAUSE>	2-43

Snapshot Type Dimension <CD_SNAP_TYPE>	2-44
Stock Item Type Dimension <CD_STOCK_ITMTY>	2-45
Storeroom Dimension <CD_STRM>	2-47
Storeroom Transaction Type Dimension <CD_STRM_TR_TY>	2-48
Work Order Type Dimension <CD_WRKORD_TY>	2-49
Fact Table Schema.....	2-50
Operational Accounting Transaction Fact <CF_OP_ACTG>	2-50
Storeroom Inventory Snapshot Fact <CF_STRM_INV>	2-54
Storeroom Transaction Fact <CF_STRM_TR>	2-56
Work Order Task Fact <CF_WRKORD_TK>	2-58

Preface

This guide provides the data mapping information from the Oracle Utilities Work and Asset Management source system to the Oracle Utilities Extractors and Schema target product.

Audience

The guide is intended for all implementers of Oracle Utilities Extractors and Schema for Oracle Utilities Work and Asset Management.

Related Documents

For more information, refer to the following documents:

- *Oracle Utilities Analytics Installation Guide*
- *Oracle Utilities Analytics Quick Install Guide*
- *Oracle Utilities Analytics Release Notes*
- *Oracle Utilities Analytics User's Guide*
- *Oracle Utilities Analytics Guide*

See Also:

- Oracle Utilities Work and Asset Management Documentation Library

Notational Conventions

The following notational conventions are used in this document:

Notation	Indicates
boldface	Graphical user interface elements associated with an action, terms defined in text, or terms defined in the glossary
<i>italic</i>	Book titles, emphasis, or placeholder variables for which you supply particular values
monospace	Commands within a paragraph, URLs, code in examples, text that appears on the screen, or text that you enter

Chapter 1

Overview

This guide provides the data mapping information from the Oracle Utilities Work and Asset Management source system to the Oracle Utilities Extractors and Schema target product. The guide describes the data mapping between the source system and the target, and the rules of data transformation for Oracle Utilities Extractors and Schema for Oracle Utilities Work and Asset Management.

Terminologies

The following terminologies are used for the data maps contained in this document:

<Presentation Table Name>

The Presentation Table Name lists the default name of the object in OBIEE when no customer modifications have been made to the name of the table. This is the default label seen in answers.

Properties

The Properties table lists properties of the table independent of each field. The following properties are listed in the table.

Property	Value
Load Table Name	Name of the data warehouse table that the extract file will be loaded into
Table Type	Fact or Dimension
Source System Driver Table	Name of the table in source database from which data is extracted
Source System Extract Program	Name of the program that creates the extract file
SCD Type	Type 1 - Existing records are updated directly Type 2 - Existing records are marked inactive and new records are inserted from the staging file
Fact Type	Whether this is a snapshot or transactional fact table
Stage Table Name	Name of the table in the BI target database that can be used to query the data records from the staging file
Stage File Name	Operating system file name that will contain the data records to be loaded into the table. The filename will end in '.DAT'.

Property	Value
Control Table Name	Name of the table in the Oracle database that can be used to query the record from the control file
Control File Name	Name of the operating system file that is used as the control file in the extraction. The filename will end in '.CTL'. Control file stores the record count and batch control information. It is used in load validation.
Update Procedure Name	The name of an Oracle procedure that will be used run prior to loading records from the staging data file. Used by Type 2 dimensions to update the Effective End Date value for records that exist in the staging file.
OWB Map Name	Name of the mapping that loads records from the staging file into the database table
OWB Work Flow Name	Name of the process flow that will process the next available staging file and load the records in there into the database table
OWB Work Flow Package Name	Name of the process flow package that contains the process flow
Extract Procedure	Name of the extract program that creates the extract files
Modify View Name	Name of the view used to find records that were added or updated in the database
Delete View Name	Name of the view used to find records that were deleted from the database

Fields

The Fields table lists the individual properties of each field in the Presentation Table or the Database Table. The following fields are listed in the tables:

Property	Value
Extract Field	Name of the field in the staging file that stores this data
Length	Length of the extract field in the staging file
Source	Field from source application or stage table or calculation is used to populate the extract field. If blank, then there is no default population of the field in the WAM extracts. If the field is from the source system driver table, then only the field name is mentioned. If the field is from the edge application, then it is prefixed by the edge application table name.
Column	Name of the column in the database table. If blank, then the field is not present in the database table, but is only available from OBIEE.
OBIEE Field	Name of the field in the OBIEE Presentation folder. If blank, then the field is not available by default in OBIEE.
Load	How the data is populated. If the Column field is entered, then this is how the data is loaded in OWB. If the column field is empty, then this contains the calculation in OBIEE that is used by the column.

Chapter 2

Data Maps for Oracle Utilities Work and Asset Management

This section contains data maps for the following Oracle Utilities Extractors and Schema for Oracle Utilities Work and Asset Management data:

- [Dimension Extract Programs](#)
- [Fact Extract Programs](#)
- [Dimension Table Schema](#)
- [Fact Table Schema](#)

Dimension Extract Programs

Asset Dimension

Properties

Property	Value
Load Table Name	CD_ASSET
Table Type	Dimension
Source System Driver Table	SA_ASSET
Source System Extract Program	EXTDASSE
Stage Table Name	STG_ASSET_EXT
Stage File Name	D_ASSET_EXT
Control Table Name	STG_ASSET_CTL_EXT
Control File name	D_ASSET_EXT
Update Procedure Name	
OWB Map Name	SPLMAP_D_ASSET
OWB Work Flow Name	SPLWF_D_ASSET
OWB Work Flow Package Name	DIM
Driving Data View	SV_BI_EXTRACT_EXTDASSE

Fields (listed in the order they will appear in the flat file)

Extract Field	Length	Source
UPDATE_DTTM	20	SYSDATE
CHANGE_TYPE_CD	1	Values: I – Insert/Update, D – Deleted
ASSET_ID	20	PLANT+ASSET_ID+ASSET_RECORD_TYPE
ASSET_CD	20	PLANT+ASSET_ID+ASSET_RECORD_TYPE
ASSET_DESCR	60	ASSET_DESC
ASSET_INFO	254	ASSET_DESC
UDF1_CD	30	ASSET_CLASS
UDF1_DESCR	60	SA_ASSET_CLASS.ASSET_CLASS_DESCRIPTION
UDF2_CD	30	CRITICALITY
UDF2_DESCR	60	SA_AUTHORITY.CODE_DESC (Code Table 40)
UDF3_CD	30	BUILDING

Extract Field	Length	Source
UDF3_DESCR	60	SA_AUTHORITY.CODE_DESC (Code Table 25)
UDF4_CD	30	LOCATION
UDF4_DESCR	60	SA_AUTHORITY.CODE_DESC (Code Table 231)
UDF5_CD	30	PROCESS_NO
UDF5_DESCR	60	ASSET_DESC
UDF6_CD	30	ASSET_RECORD
UDF6_DESCR	60	SA_AUTHORITY.CODE_DESC (Code Table 239)
UDF7_CD	30	PLANT
UDF7_DESCR	60	SA_PLANT.PLANT_DESC
UDF8_CD	30	SA_PLANT.ORGANIZATION
UDF8_DESCR	60	SA_ORGANIZATION.ORGANIZATION_DESC
UDF9_CD	30	SA_PLANT.COMPANY
UDF9_DESCR	60	SA_COMPANY.COMPANY_DESC
UDF10_CD	30	
UDF10_DESCR	60	
DATA_SOURCE_IND	6	Value of Value3 Common Extract Parameter in the call to SDBP_BI_EXTRACT_HANDLER. Default value is '3'

The base product uses the following fields to populate UDFs on the dimension:

- ASSET_CLASS
- CRITICALITY
- BUILDING
- LOCATION
- PROCESS_NO
- ASSET_RECORD_TYPE

Crew Dimension

Properties

Property	Value
Load Table Name	CD_CREW
Table Type	Dimension
Source System Driver Table	SA_CREW

Property	Value
Source System Extract Program	EXTDASSE
Stage Table Name	STG_CREW_EXT
Stage File Name	D_CREW_EXT
Control Table Name	STG_CREW_CTL_EXT
Control File name	D_CREW_EXT
Update Procedure Name	SPL_CREW_UPD_PRC
OWB Map Name	SPLMAP_D_CREW
OWB Work Flow Name	SPLWF_D_CREW
OWB Work Flow Package Name	DIM
Driving Data View	SV_BI_EXTRACT_EXTDASSE

Fields (listed in the order they will appear in the flat file)

Extract Field	Length	Source
UPDATE_DTTM	20	SYSDATE
CHANGE_TYPE_CD	1	Values: I – Insert/Update, D – Deleted
CREW_CD	30	PLANT+CREW
CREW_DESCR	60	CREW_DESC
SRC_CREW_ID	30	CREW_ID
CREW_TYPE_CD	30	CREW_TYPE_CD
CREW_TYPE_DESCR	100	CREW_TYPE_DESCR
ORG_UNIT1_CD	4	ORG_UNIT1_CD
ORG_UNIT1_DESCR	100	ORG_UNIT1_DESCR
ORG_UNIT2_CD	4	ORG_UNIT2_CD
ORG_UNIT2_DESCR	100	ORG_UNIT2_DESCR
ORG_UNIT3_CD	4	ORG_UNIT3_CD
ORG_UNIT3_DESCR	100	ORG_UNIT3_DESCR
UDF1_CD	30	PLANT+SUPERVISOR_TITLE
UDF1_DESCR	60	SA_AUTHORITY.CODE_DESC (Code Table 310)
UDF2_CD	30	PLANT
UDF2_DESCR	60	SA_PLAN.PLANT_DESC
UDF3_CD	30	UDF3_CD
UDF3_DESCR	60	UDF3_DESCR

Extract Field	Length	Source
UDF4_CD	30	UDF4_CD
UDF4_DESCR	60	UDF4_DESCR
UDF5_CD	30	UDF5_CD
UDF5_DESCR	60	UDF5_DESCR
UDF6_CD	30	UDF6_CD
UDF6_DESCR	60	UDF6_DESCR
UDF7_CD	30	UDF7_CD
UDF7_DESCR	60	UDF7_DESCR
UDF8_CD	30	UDF8_CD
UDF8_DESCR	60	UDF8_DESCR
UDF9_CD	30	UDF9_CD
UDF9_DESCR	60	UDF9_DESCR
UDF10_CD	30	UDF10_CD
UDF10_DESCR	60	UDF10_DESCR
DATA_SOURCE_IND	6	Value of Value3 Common Extract Parameter Parameter in the call to SDBP_BI_EXTRACT_HANDLER. Default value is '3'

The base product uses the following field to populate UDFs on the dimension:

- SUPERVISOR_TITLE

MWM Extract Program: mwm_schema_bi_ext

mcrew_vExtract Procedure: EXTMCREW

Modify View: EXTMCREW_MODIFY_V

Delete View: EXTMCREW_DELETE_V

Failure Dimension

Properties

Property	Value
Load Table Name	CD_FAILURE
Table Type	Dimension
Source System Driver Table	SA_AUTHORITY.CODE_DESC (Code Table 10)

Property	Value
Source System Extract Program	EXTDFAIL
Stage Table Name	STG_FAILURE_EXT
Stage File Name	D_FAILURE_EXT
Control Table Name	STG_FAILURE_CTL_EXT
Control File name	D_FAILURE_EXT
Update Procedure Name	
OWB Map Name	SPLMAP_D_FAILURE
OWB Work Flow Name	SPLWF_D_FAILURE
OWB Work Flow Package Name	DIM
Driving Data View	SV_BI_EXTRACT_EXTDFAIL

Fields (listed in the order they will appear in the flat file)

Extract Field	Length	Source
UPDATE_DTTM	20	SYSDATE
CHANGE_TYPE_CD	1	Values: I – Insert/Update, D – Deleted
FAILURE_CD	16	CODE
FAILURE_DESCR	60	CODE_DESC
FAILURE_ID	16	PLANT+CODE
UDF1_CD	30	PLANT
UDF1_DESCR	60	SA_PLANT.PLANT_DESC
UDF2_CD	30	
UDF2_DESCR	60	
DATA_SOURCE_IND	6	Value of Value3 Common Extract Parameter Parameter in the call to SDBP_BI_EXTRACT_HANDLER. Default = '3'

EAM Extract Batch Control: EXTDFAIL

Fiscal Period Dimension

Properties

Property	Value
Load Table Name	CD_FISCAL_CAL
Table Type	Dimension
Source System Driver Table	SA_ACCOUNTING_PERIOD_DATES
Source System Extract Program	EXTDFPER
Stage Table Name	STG_FISCAL_EXT
Stage File Name	D_FISCAL_EXT
Control Table Name	STG_FISCAL_CTL_EXT
Control File name	D_FISCAL_EXT
Update Procedure Name	
OWB Map Name	SPLMAP_D_FISCAL_CAL
OWB Work Flow Name	SPLWF_D_FISCAL_CAL
OWB Work Flow Package Name	DIM
Driving Data View	SV_BI_EXTRACT_EXTDFPER

Fields (listed in the order they will appear in the flat file)

Extract Field	Length	Source
UPDATE_DTTM	20	SYSDATE
CHANGE_TYPE_CD	1	Values: I – Insert/Update, D – Deleted
CALENDAR_CD	16	SA_PLANT.FISCAL_CALENDAR_CODE
CALENDR_DESCR	60	'Fiscal Calendar'
FISCAL_YEAR	4	PERIOD_YEAR
PERIOD_NBR	3	PERIOD_MONTH
PERIOD_DESCR	60	PERIOD_MONTH + '-' + FISCAL_YEAR
PERIOD_START_DT	8	START_DATE
PERIOD_END_DT	8	END_DATE
UDF1_CD	30	
UDF1_DESCR	60	
UDF2_CD	30	
UDF2_DESCR	60	

Extract Field	Length	Source
DATA_SOURCE_IND	6	Value of Value3 Common Extract Parameter Parameter in the call to SDBP_BI_EXTRACT_HANDLER. Default value is '3'

Operational Account Dimension

Properties

Property	Value
Load Table Name	CD_OP_ACCT
Table Type	Dimension
Source System Driver Table	SA_ACCOUNT_DATA
Source System Extract Program	EXTDOPAC
Stage Table Name	STG_OP_ACCT_EXT
Stage File Name	D_OP_ACCT_EXT
Control Table Name	STG_OP_ACCT_CTL_EXT
Control File name	D_OP_ACCT_EXT
Update Procedure Name	SPL_OP_ACCT_UPD_PRC
OWB Map Name	SPLMAP_D_OP_ACCT
OWB Work Flow Name	SPLWF_D_OP_ACCT
OWB Work Flow Package Name	DIM
Driving Data View	SV_BI_EXTRACT_EXTDOPAC

Fields (listed in the order they will appear in the flat file)

Extract Field	Length	Source
UPDATE_DTTM	20	SYSDATE
CHANGE_TYPE_CD	1	Values: I – Insert/Update, D – Deleted
OP_ACCT_ID	78	PLANT+ACCOUNT_NO
OP_ACCT_CD	78	PLANT+ACCOUNT_NO
OP_ACCT_DESCR	60	ACCOUNT_DESC
UDF1_CD	30	AREA
UDF1_DESCR	60	SA_AREA.AREA_DESC
UDF2_CD	30	PLANT

Extract Field	Length	Source
UDF2_DESCR	60	SA_PLANT.PLANT_DESC
UDF3_CD	30	SA_PLANT.ORGANIZATION
UDF3_DESCR	60	SA_ORGANIZATION.ORGANIZATION_DESC
UDF4_CD	30	SA_PLANT.COMPANY
UDF4_DESCR	60	SA_COMPANY.COMPANY_DESC
UDF5_CD	30	DEPARTMENT\$1
UDF5_DESCR	60	SA_DEPARTMENT.DEPARTMENT_DESC
UDF6_CD	30	DEPARTMENT\$2 - Parent Department of Department\$1
UDF6_DESCR	60	SA_DEPARTMENT.DEPARTMENT_DESC (for DEPARTMENT\$2)
UDF7_CD	30	DEPARTMENT\$3 - Parent Department of Department\$2
UDF7_DESCR	60	SA_DEPARTMENT.DEPARTMENT_DESC (for DEPARTMENT\$3)
UDF8_CD	30	
UDF8_DESCR	60	
UDF9_CD	30	
UDF9_DESCR	60	
UDF10_CD	30	
UDF10_DESCR	60	
UDF11_CD	30	
UDF11_DESCR	60	
UDF12_CD	30	
UDF12_DESCR	60	
UDF13_CD	30	
UDF13_DESCR	60	
UDF14_CD	30	
UDF14_DESCR	60	
UDF15_CD	30	
UDF15_DESCR	60	
DATA_SOURCE_IND	6	Value of Value3 Common Extract Parameter Parameter in the call to SDBP_BI_EXTRACT_HANDLER. Default value is '3'

EAM Extract Batch Control: EXTDOPAC

The base product uses the following fields to populate the dimension's UDF's:

- AREA
- PLANT
- ORGANIZATION
- COMPANY
- DEPARTMENT\$1 ... DEPARTMENT\$N.

The Operational Account extract supports extraction of multiple levels of department in the departmental hierarchies. Here, DEPARTMENT\$1 is the highest level of Department in the hierarchy.

Operational Accounting Transaction Type Dimension

Properties

Property	Value
Load Table Name	CD_OP_ACTG_TY
Table Type	Dimension
Source System Driver Table	SA_AUTHORITY
Source System Extract Program	EXTDOATT
Stage Table Name	STG_OP_ACTG_TY_EXT
Stage File Name	D_OP_ACTG_TY_EXT
Control Table Name	STG_OP_ACTG_TY_CTL_EXT
Control File name	D_OP_ACTG_TY_EXT
Update Procedure Name	
OWB Map Name	SPLMAP_D_OP_ACTG_TY
OWB Work Flow Name	SPLWF_D_OP_ACTG_TY
OWB Work Flow Package Name	DIM
Driving Data View	SV_BI_EXTRACT_EXTDOATT

Fields (listed in the order they will appear in the flat file)

Extract Field	Length	Source
UPDATE_DTTM	20	SYSDATE
CHANGE_TYPE_CD	1	Values: I – Insert/Update, D – Deleted
OP_ACTG_TY_CD	16	CODE
OP_ACTG_TY_DESCR	60	CODE_DESC

Extract Field	Length	Source
UDF1_CD	30	
UDF1_DESCR	60	
UDF2_CD	30	
UDF2_DESCR	60	
DATA_SOURCE_IND	6	Value of Value3 Common Extract Parameter Parameter in the call to SDBP_BI_EXTRACT_HANDLER. Default value is '3'

EAM Extract Batch Control: EXTDOATT

Operational Expense Dimension

Properties

Property	Value
Load Table Name	CD_OP_EXP
Table Type	Dimension
Source System Driver Table	SA_RULE_KEY (where Rule ID = 'EXPENSE CODES')
Source System Extract Program	EXTDOPEX
Stage Table Name	STG_OP_EXP_EXT
Stage File Name	D_OP_EXP_EXT
Control Table Name	STG_OP_EXP_CTL_EXT
Control File name	D_OP_EXP_EXT
Update Procedure Name	SPL_OP_EXP_UPD_PRC
OWB Map Name	SPLMAP_D_OP_EXP
OWB Work Flow Name	SPLWF_D_OP_EXP
OWB Work Flow Package Name	DIM
Driving Data View	SV_BI_EXTRACT_EXTDOPEX

Fields (listed in the order they will appear in the flat file)

Extract Field	Length	Source
UPDATE_DTTM	20	SYSDATE
CHANGE_TYPE_CD	1	Values: I – Insert/Update, D – Deleted
OP_EXP_ID	34	PLANT+KEY_NAME
OP_EXP_CD	30	PLANT+KEY_NAME
OP_EXP_DESCR	60	KEY_DESC
UDF1_CD	30	PLANT
UDF1_DESCR	60	SA_PLANT.PLANT_DESC
UDF2_CD	30	KEY_VALUE
UDF2_DESCR	60	INITCAP(KEY_VALUE)
DATA_SOURCE_IND	6	Value of Value3 Common Extract Parameter Parameter in the call to SDBP_BI_EXTRACT_HANDLER. Default value is '3'

EAM Extract Batch Control: EXTDOPEX

The following fields are used to populate the UDFs on the dimension:

- KEY_VALUE
- PLANT

Operational Unit of Measure Dimension

Properties

Property	Value
Load Table Name	CD_OP_UOM
Table Type	Dimension
Source System Driver Table	SA_AUTHORITY (Code Table 23)
Source System Extract Program	EXTDOUOM
Stage Table Name	STG_OP_UOM_EXT
Stage File Name	D_OP_UOM_EXT
Control Table Name	STG_OP_UOM_CTL_EXT
Control File name	D_OP_UOM_EXT
Update Procedure Name	
OWB Map Name	SPLMAP_D_OP_UOM

Property	Value
OWB Work Flow Name	SPLWF_D_OP_UOM
OWB Work Flow Package Name	DIM
Driving Data View	SV_BI_EXTRACT_EXTDOUOM

Fields (listed in the order they will appear in the flat file)

Extract Field	Length	Source
UPDATE_DTTM	20	SYSDATE
CHANGE_TYPE_CD	1	Values: I – Insert/Update, D – Deleted
UOM_CD	30	CODE
UOM_DESCR	60	CODE_DESC
DATA_SOURCE_IND	6	Value of Value3 Common Extract Parameter Parameter in the call to SDBP_BI_EXTRACT_HANDLER. Default value is '3'

EAM Extract Batch Control: EXTDOUOM

Planner Dimension

Properties

Property	Value
Load Table Name	CD_PLANNER
Table Type	Dimension
Source System Driver Table	SA_RULE_KEY where RULE_ID = 'PLANNER'
Source System Extract Program	EXTDWRKP
Stage Table Name	STG_PLANNER_EXT
Stage File Name	D_PLANNER_EXT
Control Table Name	STG_PLANNER_CTL_EXT
Control File name	D_PLANNER_EXT
Update Procedure Name	SPL_PLANNER_UPD_PRC
OWB Map Name	SPLMAP_D_PLANNER
OWB Work Flow Name	SPLWF_D_PLANNER

Property	Value
OWB Work Flow Package Name	DIM
Driving Data View	SV_BI_EXTRACT_EXTDWRKP

Fields (listed in the order they will appear in the flat file)

Extract Field	Length	Source
UPDATE_DTTM	20	SYSDATE
CHANGE_TYPE_CD	1	Values: I – Insert/Update, D – Deleted
PLANNER_CD	16	KEY_NAME
PLANNER_DESCR	60	KEY_VALUE
PLANNER_ID	16	PLANT+KEY_NAME
UDF1_CD	30	PLANT
UDF1_DESCR	60	SA_PLANT.PLANT_DESC
UDF2_CD	30	
DATA_SOURCE_IND	6	Value of Value3 Common Extract Parameter in the call to SDBP_BI_EXTRACT_HANDLER. Default value is '3'
UDF2_DESCR	60	

EAM Extract Batch Control: EXTDWRKP

Repair Dimension

Properties

Property	Value
Load Table Name	CD_REPAIR
Table Type	Dimension
Source System Driver Table	SA_AUTHORITY (Code Table 9)
Source System Extract Program	EXTDREPR
Stage Table Name	STG_REPAIR_EXT
Stage File Name	D_REPAIR_EXT
Control Table Name	STG_REPAIR_CTL_EXT
Control File name	D_REPAIR_EXT

Property	Value
Update Procedure Name	
OWB Map Name	SPLMAP_D_REPAIR
OWB Work Flow Name	SPLWF_D_REPAIR
OWB Work Flow Package Name	DIM
Driving Data View	SV_BI_EXTRACT_EXTDREPR

Fields (listed in the order they will appear in the flat file)

Extract Field	Length	Source
UPDATE_DTTM	20	SYSDATE
CHANGE_TYPE_CD	1	Values: I – Insert/Update, D – Deleted
REPAIR_CD	16	CODE
REPAIR_DESCR	60	CODE_DESC
REPAIR_ID	16	PLANT+CODE
UDF1_CD	30	PLANT
UDF1_DESCR	60	SA_PLANT.PLANT_DESC
UDF2_CD	30	
DATA_SOURCE_IND	6	Value of Value3 Common Extract Parameter in the call to SDBP_BI_EXTRACT_HANDLER. Default value is '3'
UDF2_DESCR	60	

EAM Extract Batch Control: EXTDREPR

The following fields are used to populate the UDFs on the dimension:

- KEY_NAME

Root Cause Dimension

Properties

Property	Value
Load Table Name	CD_ROOT_CAUSE
Table Type	Dimension
Source System Driver Table	SA_AUTHORITY (Code Table 52)

Property	Value
Source System Extract Program	EXTDROOT
Stage Table Name	STG_ROOT_CAUSE_EXT
Stage File Name	D_ROOT_CAUSE_EXT
Control Table Name	STG_ROOT_CAUSE_CTL_EXT
Control File name	D_ROOT_CAUSE_EXT
Update Procedure Name	
OWB Map Name	SPLMAP_D_ROOT_CAUSE
OWB Work Flow Name	SPLWF_D_ROOT_CAUSE
OWB Work Flow Package Name	DIM
Driving Data View	SV_BI_EXTRACT_EXTDROOT

Fields (listed in the order they will appear in the flat file)

Extract Field	Length	Source
UPDATE_DTTM	20	SYSDATE
CHANGE_TYPE_CD	1	Values: I – Insert/Update, D – Deleted
ROOT_CAUSE_CD	16	CODE
ROOT_CAUSE_DESCR	60	CODE_DESC
ROOT_CAUSE_ID	16	PLANT+CODE
UDF1_CD	30	PLANT
UDF1_DESCR	60	SA_PLANT.PLANT_DESC
UDF2_CD	30	
UDF2_DESCR	60	
DATA_SOURCE_IND	6	Value of Value3 Common Extract Parameter in the call to SDBP_BI_EXTRACT_HANDLER. Default value is '3'

EAM Extract Batch Control: EXTDROOT

Stock Item Type Dimension

Properties

Property	Value
Load Table Name	CD_CTOCK_ITMTY
Table Type	Dimension
Source System Driver Table	SA_CATALOG
Source System Extract Program	EXTDSITE
Stage Table Name	STG_STOCK_ITMTY_EXT
Stage File Name	D_STOCK_ITMTY_EXT
Control Table Name	STG_STOCK_ITMTY_CTL_EXT
Control File name	D_STOCK_ITMTY_EXT
Update Procedure Name	SPL_STOCK_ITMTY_UPD_PRC
OWB Map Name	SPLMAP_D_STOCK_ITMTY
OWB Work Flow Name	SPLWF_D_STOCK_ITMTY
OWB Work Flow Package Name	DIM
Driving Data View	SV_BI_EXTRACT_EXTDSITE

Fields (listed in the order they will appear in the flat file)

Extract Field	Length	Source
UPDATE_DTTM	20	SYSDATE
CHANGE_TYPE_CD	1	Values: I – Insert/Update, D – Deleted
STOCK_ITMTY_ID	18	PLANT+STOCK_CODE
STOCK_ITMTY_CD	18	PLANT+STOCK_CODE
STOCK_ITMTY_DESCR	60	STOCK_DESC
STOCK_ITMTY_INFO	254	STOCK_DESC
UDF1_CD	30	STOCK_TYPE
UDF1_DESCR	60	CODE_DESC
UDF2_CD	30	STOCK_CLASS
UDF2_DESCR	60	SA_AUTHORITY.CODE_DESC (Code Table 212)
UDF3_CD	30	COMMODITY_CATEGORY
UDF3_DESCR	60	SA_AUTHORITY.CODE_DESC (Code Table 212)
UDF4_CD	30	COMMODITY_NAME

Extract Field	Length	Source
UDF4_DESCR	60	SA_AUTHORITY.CODE_DESC (associated with Linked Code Table)
UDF5_CD	30	COMMODITY_TYPE
UDF5_DESCR	60	SA_AUTHORITY.CODE_DESC (associated with Linked Code Table)
UDF6_CD	30	PLANT
UDF6_DESCR	60	SA_PLANT.PLANT_DESC
UDF7_CD	30	SA_PLANT.ORGANIZATION
UDF7_DESCR	60	SA_ORGANIZATION.ORGANIZATION_DESC
UDF8_CD	30	SA_PLANT.COMPANY
UDF8_DESCR	60	SA_COMPANY.COMPANY_DESC
UDF9_CD	30	
UDF9_DESCR	60	
UDF10_CD	30	
UDF10_DESCR	60	
DATA_SOURCE_IND	6	Value of Value3 Common Extract Parameter Parameter in the call to SDBP_BI_EXTRACT_HANDLER. Default value is '3'

EAM Extract Batch Control: EXTDSITE

The base product uses the following fields to populate the UDFs on the dimension:

- STOCK_TYPE
- STOCK_CLASS
- COMMODITY_CATEGORY
- COMMODITY_NAME
- COMMODITY_TYPE
- PLANT
- ORGANIZATION
- COMPANY

Storeroom Dimension

Properties

Property	Value
Load Table Name	CD_STRM
Table Type	Dimension
Source System Driver Table	SA_STOREROOM_SETUP
Source System Extract Program	EXTDSTRM
Stage Table Name	STG_STRM_EXT
Stage File Name	D_STRM_EXT
Control Table Name	STG_STRM_CTL_EXT
Control File name	D_STRM_EXT
Update Procedure Name	SPL_STRM_UPD_PRC
OWB Map Name	SPLMAP_D_STRM
OWB Work Flow Name	SPLWF_D_STRM
OWB Work Flow Package Name	DIM
Driving Data View	SV_BI_EXTRACT_EXTDSTRM

Fields (listed in the order they will appear in the flat file)

Extract Field	Length	Source
UPDATE_DTTM	20	SYSDATE
CHANGE_TYPE_CD	1	Values: I – Insert/Update, D – Deleted
STRM_ID	16	PLANT+STOREROOM
STRM_CD	16	PLANT+STOREROOM
STRM_DESCR	60	STOREROOM_DESC
UDF1_CD	30	STOREROOM_TYPE
UDF1_DESCR	60	SA_AUTHORITY.STOREROOM_TYPE_DESC (Code Table 4)
UDF2_CD	30	PLANT
UDF2_DESCR	60	SA_PLANT.PLANT_DESC
UDF3_CD	30	SA_PLANT.ORGANIZATION
UDF3_DESCR	60	SA_ORGANIZATION.ORGANIZATION_DESC
UDF4_CD	30	SA_PLANT.COMPANY
UDF4_DESCR	60	SA_COMPANY.COMPANY_DESC

Extract Field	Length	Source
UDF5_CD	30	
UDF5_DESCR	60	
UDF6_CD	30	
UDF6_DESCR	60	
UDF7_CD	30	
UDF7_DESCR	60	
UDF8_CD	30	
UDF8_DESCR	60	
UDF9_CD	30	
UDF9_DESCR	60	
UDF10_CD	30	
UDF10_DESCR	60	
DATA_SOURCE_IND	6	Value of Value3 Common Extract Parameter in the call to SDBP_BI_EXTRACT_HANDLER. Default value is '3'

EAM Extract Batch Control: EXTDS'TRM

The following fields are used to populate the UDFs on the dimension:

- STOREROOM TYPE
- PLANT
- ORGANIZATION
- COMPANY

Storeroom Transaction Type Dimension

Properties

Property	Value
Load Table Name	CD_STRM_TR_TYE
Table Type	Dimension
Source System Driver Table	SA_AUTHORITY (Code Table 145)
Source System Extract Program	EXTDS'ITT
Stage Table Name	STG_STRM_TR_TY_EXT
Stage File Name	D_STRM_TR_TY_EXT
Control Table Name	STG_STRM_TR_TY_CTL_EXT

Property	Value
Control File name	D_STRM_TR_TY_EXT
Update Procedure Name	
OWB Map Name	SPLMAP_D_STRM_TR_TY
OWB Work Flow Name	SPLWF_D_STRM_TR_TY
OWB Work Flow Package Name	DIM
Driving Data View	SV_BI_EXTRACT_EXTDSTTT

Fields (listed in the order they will appear in the flat file)

Extract Field	Length	Source
UPDATE_DTTM	20	SYSDATE
CHANGE_TYPE_CD	1	Values: I – Insert/Update, D – Deleted
STRM_TR_TY_CD	16	CODE
STRM_TR_TY_DESCR	60	CODE_DESC
UDF1_CD	30	
UDF1_DESCR	60	
UDF2_CD	30	
UDF2_DESCR	60	
DATA_SOURCE_IND	6	Value of Value3 Common Extract Parameter in the call to SDBP_BI_EXTRACT_HANDLER. Default value is '3'

EAM Extract Batch Control: EXTDSTTT

The base product uses the following parameters to populate the UDFs on the dimension:

- KEY_VALUE

Work Order Type Dimension

Properties

Property	Value
Load Table Name	CD_WRKORD_TY
Table Type	Dimension
Source System Driver Table	SA_AUTHORITY (Code Table 71)
Source System Extract Program	extdwoty

Property	Value
Stage Table Name	STG_WRKORD_TY_EXT
Stage File Name	D_WRKORD_TY_EXT
Control Table Name	STG_WRKORD_TY_CTL_EXT
Control File name	D_WRKORD_TY_EXT
Update Procedure Name	
OWB Map Name	SPLMAP_D_WRKORD_TY
OWB Work Flow Name	SPLWF_D_WRKORD_TY
OWB Work Flow Package Name	DIM
Driving Data View	SV_BI_EXTRACT_EXTDWOTY

Fields (listed in the order they will appear in the flat file)

Extract Field	Length	Source
UPDATE_DTTM	20	SYSDATE
CHANGE_TYPE_CD	1	Values: I – Insert/Update, D – Deleted
WRKORD_TY_CD	4	CODE
WRKORD_TY_DESCR	60	CODE_DESC
UDF1_CD	30	
UDF1_DESCR	60	
UDF2_CD	30	
DATA_SOURCE_IND	6	
UDF2_DESCR	60	Value of Value3 Common Extract Parameter in the call to SDBP_BI_EXTRACT_HANDLER. Default value is '3'

EAM Extract Batch Control: EXTDWOTY

Fact Extract Programs

Operational Accounting Transaction Fact (WAM)

Properties

Property	Value
Load Table Name	CF_OP_ACTG
Table Type	Fact
Source System Driver Table	SA_ACCOUNT_LOG
Source System Extract Program	EXTFOPAT
Stage Table Name	STG_OP_ACTG_EXT
Stage File Name	F_OP_ACTG_EXT
Control Table Name	STG_OP_ACTG_CTL_EXT
Control File name	F_OP_ACTG_EXT
Update Procedure Name	
OWB Map Name	SPLMAP_F_OP_ACTG
OWB Work Flow Name	SPLWF_F_OP_ACTG
OWB Work Flow Package Name	FACT
Driving Data View	SV_BI_EXTRACT_EXTFOPAT

Fields (listed in the order they will appear in the flat file)

Extract Field	Length	Source
UPDATE_DTTM	20	SYSDATE
CHANGE_TYPE_CD	1	Values: I – Insert/Update, D – Deleted
OP_ACTG_ID	16	TRANSACTION_ID
CURRENCY_CD	3	SA_PLANT.LOCAL_CURRENCY_CODE
OP_ACCT_ID	78	PLANT+ACCOUNT_NO
OP_EXP_ID	16	PLANT+EXPENSE_CODE
OP_ACTG_TY_CD	16	TRANSACTION_TYPE
FISCAL_CAL_CD	16	SA_PLANT.FISCAL_CALENDAR_CODE
FISCAL_PER_CD	2	PERIOD_MONTH
FISCAL_YEAR	4	PERIOD_YEAR
TRANS_DT	8	TRANSACTION_DATE

Extract Field	Length	Source
ASSET_ID	20	PLANT+ASSET_ID+ASSET_RECORD_TYPE
TRANS_AMT	16	TRANSACTION_AMOUNT
TRANS_HRS	11	TRANSACTION_HOURS
UDD1_CD	16	
UDD2_CD	16	
UDM1	19	
UDM2	19	
UDM3	19	
UDM4	19	
UDM5	19	
UDDGEN1	8	
UDDGEN2	8	
UDDGEN3	8	
DATA_SOURCE_IND	6	Value of Value3 Common Extract Parameter in the call to SDBP_BI_EXTRACT_HANDLER. Default value is '3'

EAM Extract Batch Control: EXTFOPAT

Storeroom Inventory Snapshot Fact (WAM)

Properties

Property	Value
Load Table Name	CF_STRM_INV
Table Type	Fact
Source System Driver Table	SA_STOREROOM
Source System Extract Program	EXTFSTOR
Stage Table Name	STG_STRM_INV_EXT
Stage File Name	F_STRM_INV_EXT
Control Table Name	STG_STRM_INV_CTL_EXT
Control File name	F_STRM_INV_EXT
Update Procedure Name	
OWB Map Name	SPLMAP_F_STRM_INV

Property	Value
OWB Work Flow Name	SPLWF_F_STRM_INV
OWB Work Flow Package Name	FACT
Driving Data View	SV_BI_EXTRACT_EXTFSTOR_INC or SV_BI_EXTRACT_EXTFSTOR_INI

Fields (listed in the order they will appear in the flat file)

Extract Field	Length	Source
UPDATE_DTTM	20	SYSDATE
CHANGE_TYPE_CD	1	Values: I – Insert/Update, D – Deleted
STOCK_ITEMTY_ID	18	PLANT+STOCK_CODE
STRM_ID	16	PLANT+STORERROOM
CURRENCY_CD	3	SA_PLANT.LOCAL_CURRENCY_CODE
OP_UOM_CD	16	SA_CATALOG.UNIT_OF_ISSUE
TOTAL_VALUE	16	If First Snapshot, then TOTAL_VALUE Else TOTAL_VALUE+NET_ADJUSTMENT_AMO UNT
QTY_ON_HAND	16	If First Snapshot, then INVENTORY_QUANTITY Else INVENTORY_QUANTITY +TRANSACTION_QUANTITY
QTY_ON_DEMAND	16	If First Snapshot, then ON_DEMAND_QUANTITY Else 0
QTY_OVER_MAX	16	If First Snapshot, then QUANTITY_OVER_MAX Else 0
VALUE_OVER_MAX	16	If First Snapshot, then VALUE_OVER_MAX Else 0
SNAP_TYPE_CD	1	SA_RULE_KEY.KEY_VALUE3 where rule_id = 'OUBI SETUP' and key_name = 'OUBI INV SNAPSHOT'
SNAPSHOT_DATE	8	SYSDATE
OP_ACCT_ID	78	ASSET_ACCOUNT_NO
UDM1	19	
UDM2	19	
UDM3	19	
UDM4	19	
UDM5	19	

Extract Field	Length	Source
UDD1_CD	16	
UDD2_CD	16	
UDDGEN1	8	
UDDGEN2	8	
UDDGEN3	8	
DATA_SOURCE_IND	6	Value of Value3 Common Extract Parameter in the call to SDBP_BI_EXTRACT_HANDLER. Default value is '3'

EAM Extract Batch Control: EXTFSTOR

In addition to the standard parameters, the following parameters must also be supplied to the extract process:

- SNAPSHOT-TYPE. If taking a weekly snapshot, enter "W". If taking a monthly snapshot, enter "M".
- NBR-HIST. This is the number of historical periods to be snapshot (for example: you can use this parameter to snapshot inventory data for each of the last X weeks or months). With the exception of the initial load, this should be set to 0.

If the SNAPSHOT-TYPE is weekly (W), 7 days is subtracted from the business date for each historical snapshot date. If the SNAPSHOT-TYPE is monthly (M), a historic snapshot is extracted on the last day of each month, starting from the month prior to the business date.

Storeroom Transaction Fact (WAM)

Properties

Property	Value
Load Table Name	CF_STRM_TR
Table Type	Fact
Source System Driver Table	SA_STOREROOM_LOG
Source System Extract Program	EXTFSTTR
Stage Table Name	STG_STRM_TR_EXT
Stage File Name	F_STRM_TR_EXT
Control Table Name	STG_STRM_TR_CTL_EXT
Control File name	F_STRM_TR_EXT
Update Procedure Name	
OWB Map Name	SPLMAP_F_STRM_TR
OWB Work Flow Name	SPLWF_F_STRM_TR

Property	Value
OWB Work Flow Package Name	FACT
Driving Data View	SV_BI_EXTRACT_EXTFSTTR

Fields (listed in the order they will appear in the flat file)

Extract Field	Length	Source
UPDATE_DTTM	20	SYSDATE
CHANGE_TYPE_CD	1	Values: I – Insert/Update, D – Deleted
STRM_TR_ID	16	TRANSACTION_ID
CURRENCY_CD	3	SA_PLANT.LOCAL_CURRENCY_CODE
STRM_TR_TY_CD	16	TRANSACTION_TYPE
STRM_ID	16	PLANT+STOREROOM
STOCK_ITMTY_ID	18	PLANT+STOCKCODE
OP_UOM_CD	16	UOM
TRANS_DT	8	TRANSACTION_DATE
TRANS_AMT	16	TRANSACTION_AMOUNT
TRANS_QTY	16	TRANSACTION_QUANTITY
STOCK_OUT_IND	1	STOCK_OUT_IND
UDM1	19	
UDM2	19	
UDM3	19	
UDM4	19	
UDM5	19	
UDD1_CD	16	
UDD2_CD	16	
UDDGEN1	8	
UDDGEN2	8	
UDDGEN3	8	
DATA_SOURCE_IND	6	Value of Value3 Common Extract Parameter in the call to SDBP_BI_EXTRACT_HANDLER. Default value is '3'

EAM Extract Batch Control: EXTFSTTR

Work Order Task Fact (WAM)

Properties

Property	Value
Load Table Name	CF_WRKORD_TK
Table Type	Fact
Source System Driver Table	SV_WORK_ORDER_TASK_AMT
Source System Extract Program	EXTFWRKT
Stage Table Name	STG_WRKORD_TK_EXT
Stage File Name	F_WRKORD_TK_EXT
Control Table Name	STG_WRKORD_TK_CTL_EXT
Control File name	F_WRKORD_TK_EXT
Update Procedure Name	
OWB Map Name	SPLMAP_F_WRKORD_TK
OWB Work Flow Name	SPLWF_F_WRKORD_TK
OWB Work Flow Package Name	FACT
Driving Data View	SV_BI_EXTRACT_EXTFWRKT

Fields (listed in the order they will appear in the flat file)

Extract Field	Length	Source
UPDATE_DTTM	20	SYSDATE
CHANGE_TYPE_CD	1	Values: I – Insert/Update, D – Deleted
WRKORD_TK_ID	16	(SA_WORK_ORDER_TASK or SAa_WORK_HISTORY_TASK).PLANT+WORK_ORDER_NO+ WORK_ORDER_TASK_NO
CURRENCY_CD	3	SA_PLAN.LOCAL_CURRENCY_CODE
ASSET_ID	20	(SA_WORK_ORDER_TASK or SA_WORK_HISTORY_TASK). PLANT+ASSET_ID+ASSET_RECORD_TYPE
PLANNER_ID	16	(SA_WORK_ORDER_TASK or SA_WORK_HISTORY_TASK). PLANT+PLANNER
CREW_ID	16	(SA_WORK_ORDER_TASK or SA_WORK_HISTORY_TASK). PLANT+CREW
WRKORD_TY_CD	4	(SA_WORK_ORDER_TASK or SA_WORK_HISTORY_TASK).WORK_TYPE

Extract Field	Length	Source
FINISH_DATE	8	(SA_WORK_ORDER_TASK or SA_WORK_HISTORY_TASK). ACTUAL_FINISH_DATE
CLOSE_DATE	8	(SA_WORK_ORDER_TASK or SA_WORK_HISTORY_TASK). CLOSED_DATE
EST_TOT_AMT	16	ESTIMATEDTOTAMT
ACT_TOT_AMT	16	ACTUALTOTAMT
EST_LBR_AMT	16	ESTIMATEDLBRAMT
ACT_LBR_AMT	16	ACTUALLBRAMT
EST_LBR_HOURS	16	ESTIMATEDLBRHRS
ACT_LBR_HOURS	16	ACTUALLBRHRS
EST_MAT_AMT	16	ESTIMATEDMATAMT
ACT_MAT_AMT	16	ACTUALMATAMT
EST_SERVCON_AMT	16	ESTIMATEDCONSERVAMT
ACT_SERVCON_AMT	16	ACTUALCONSERVAMT
EST_OTHER_AMT	16	ESTIMATEDOTHERAMT
ACT_OTHER_AMT	16	ACTUALOTHERAMT
ACT_ADJUST_AMT	16	ACTUALADJUSTMENTAMT
LATE_SW	1	(SA_WORK_ORDER_TASK or SA_WORK_HISTORY_TASK). if ACTUAL_FINISH_DATE is after TASK_REQUIRED_DATE, then set to "Y", otherwise set to "N"
UDM1	19	(SA_WORK_ORDER_TASK or SA_WORK_HISTORY_TASK). ACTUAL_FINISH_DATE – TASK_REQUIRED_DATE
UDM2	19	(SA_WORK_ORDER_TASK or SA_WORK_HISTORY_TASK). CLOSED_DATE - ACTUAL_FINISH_DATE
UDM3	19	1 if SA_ASSET_DOWNTIME.DOWNTIME_SCHEDULED_IND = 'Y', else 0
UDM4	19	
UDM5	19	
FAILURE_ID	16	SA_WORK_ORDER_TASK_FAILURE.PLANT + SA_WORK_ORDER_TASK_FAILURE.FAILURE_CODE

Extract Field	Length	Source
REPAIR_ID	16	SA_WORK_ORDER_TASK_FAILURE.PLANT + SA_WORK_ORDER_TASK_FAILURE.REPAIR E_CODE
ROOT_CAUSE_ID	16	SA_WORK_ORDER_TASK_FAILURE.PLANT + SA_WORK_ORDER_TASK_FAILURE.ROOT_C AUSE
UDD1_CD	16	
UDD2_CD	16	
UDDGEN1	8	
OP_ACCT_ID	78	(SA_WORK_ORDER_TASK or SA_WORK_HISTORY_TASK). PLANT+ACCOUNT_NO
UDDGEN2	8	
UDDGEN3	8	
DATA_SOURCE_IND	6	Value of Value3 Common Extract Parameter in the call to SDBP_BI_EXTRACT_HANDLER. Default value is '3'

EAM Extract Batch Control: EXTFWRKT

This process extracts FINISHED and CLOSE work order task records.

The base product uses the following parameters to populate the UDMs on the fact:

- DAYS-LATE. If finished date is later than required date, Days Late = finished date - required date. Else, 0.
- DAYS-TO-CLOSE. If there is a closed and finished date, then Days to Close = closed date - finished date. Else, 0.
- SCHEDULED-DOWNTIME-IND. 1 if the down time was scheduled.

Dimension Table Schema

Asset Dimension <CD_ASSET>

Properties

Property	Value
Table Type	Dimension
SCD Type	1

Fields

Column	OBIEE Field	Load
ASSET_KEY		SPL_ASSET_SEQ.NEXTVAL
ASSET_CD	Asset	Stage: ASSET_CD
ASSET_DESCR	Asset Description	Stage: ASSET_DESCR
ASSET_INFO	Asset Information	Stage: ASSET_INFO
DATA_LOAD_DTMM		SYSDATE
DATA_SOURCE_IN D		Stage: DATA_SOURCE_IND
SRC_ASSET_ID	Source Asset ID	Stage: ASSET_ID
UPDATE_DTMM		Stage: UPDATE_DTMM
UDF10_CD	User Defined Field Code	Stage: UDF10_CD
UDF10_DESCR	User Defined Field Description	Stage: UDF10_DESCR
UDF1_CD	User Defined Field Code	Stage: UDF1_CD
UDF1_DESCR	Asset Class	Stage: UDF1_DESCR
UDF2_CD	User Defined Field Code	Stage: UDF2_CD
UDF2_DESCR	Criticality	Stage: UDF2_DESCR
UDF3_CD	User Defined Field Code	Stage: UDF3_CD
UDF3_DESCR	Building	Stage: UDF3_DESCR
UDF4_CD	User Defined Field Code	Stage: UDF4_CD
UDF4_DESCR	Location	Stage: UDF4_DESCR
UDF5_CD	User Defined Field Code	Stage: UDF5_CD
UDF5_DESCR	Process	Stage: UDF5_DESCR
UDF6_CD	User Defined Field Code	Stage: UDF6_CD

Column	OBIEE Field	Load
UDF6_DESCR	Asset Record Type	Stage: UDF6_DESCR
UDF7_CD	User Defined Field Code	Stage: UDF7_CD
UDF7_DESCR	Facility	Stage: UDF7_DESCR
UDF8_CD	User Defined Field Code	Stage: UDF8_CD
UDF8_DESCR	Organization	Stage: UDF8_DESCR
UDF9_CD	User Defined Field Code	Stage: UDF9_CD
UDF9_DESCR	Company	Stage: UDF9_DESCR
JOB_NBR	Job Number	B1_ETL_JOB_CTRL.JOB_NBR

Crew Dimension <CD_CREW>

Properties

Property	Value
Table Type	Dimension
SCD Type	2

Fields

Column	OBIEE Field	Load
CREW_KEY	Crew Key	Stage: CREW_CD
CREW_CD	Crew Code	Stage: CREW_CD
CREW_DESCR	Crew Description	Stage: CREW_DESCR
CREW_TYPE_CD	Crew Type Code	Stage: CREW_TYPE_CD
CREW_TYPE_DESCR	Crew Type Description	Stage: CREW_TYPE_DESCR
ORG_UNIT1_CD	Organization Unit 1 Code	Stage: ORG_UNIT1_CD
ORG_UNIT1_DESCR	Organization Unit 1 Description	Stage: ORG_UNIT1_DESCR
ORG_UNIT2_CD	Organization Unit 2 Code	Stage: ORG_UNIT2_CD
ORG_UNIT2_DESCR	Organization Unit 2 Description	Stage: ORG_UNIT2_DESCR
ORG_UNIT3_CD	Organization Unit 3 Code	Stage: ORG_UNIT3_CD
ORG_UNIT3_DESCR	Organization Unit 3 Description	Stage: ORG_UNIT3_DESCR

Column	OBIEE Field	Load
SRC_CREW_ID	Crew Id	Stage: CREW_ID
UDF1_CD	User Defined Field Code	Stage: UDF1_CD
UDF1_DESCR	User Defined Field Description	Stage: UDF1_DESCR
UDF2_CD	User Defined Field Code	Stage: UDF2_CD
UDF2_DESCR	User Defined Field Description	Stage: UDF2_DESCR
UDF3_CD	User Defined Field Code	Stage: UDF3_CD
UDF3_DESCR	User Defined Field Description	Stage: UDF3_DESCR
UDF4_CD	User Defined Field Code	Stage: UDF4_CD
UDF4_DESCR	User Defined Field Description	Stage: UDF4_DESCR
UDF5_CD	User Defined Field Code	Stage: UDF5_CD
UDF5_DESCR	User Defined Field Description	Stage: UDF5_DESCR
UDF6_CD	User Defined Field Code	Stage: UDF6_CD
UDF6_DESCR	User Defined Field Description	Stage: UDF6_DESCR
UDF7_CD	User Defined Field Code	Stage: UDF7_CD
UDF7_DESCR	User Defined Field Description	Stage: UDF7_DESCR
UDF8_CD	User Defined Field Code	Stage: UDF8_CD
UDF8_DESCR	User Defined Field Description	Stage: UDF8_DESCR
UDF9_CD	User Defined Field Code	Stage: UDF9_CD
UDF9_DESCR	User Defined Field Description	Stage: UDF9_DESCR
UDF10_CD	User Defined Field Code	Stage: UDF10_CD
UDF10_DESCR	User Defined Field Description	Stage: UDF10_DESCR
DATA_LOAD_DTTM	Data Load Date/Time	System Variable: CURRENT_DATE
DATA_SOURCE_IN D	Data Source Indicator	Stage: DATA_SOURCE_IND
EFF_END_DTTM	Effective End Date/Time	System Variable: HIGH_DATE
EFF_START_DTTM	Effective Start Date/Time	UPDATE_DTTM
JOB_NBR	Job Number	Job Control: JOB_NBR

Date Dimension <CD_DATE>

Properties

Property	Value
Table Type	Dimension
SCD Type	1
Comment	<p>This dimension is unusual in that it does not have an extract program. Rather, a utility generates the rows in this dimension. This utility is supplied in the form of a database stored procedure called SPL_LOADDATE. This stored procedure is delivered with the Oracle Warehouse Builder package.</p> <p>Note that the same procedure is also included in the initial data warehouse setup workflow package called INIT_PKG for the execution. This stored procedure has start date and end date as input parameters. These dates should be defined in the following format:</p> <ul style="list-style-type: none">- start date: to_date('20000101','YYYYMMDD')- end date: to_date('20090331','YYYYMMDD')

Fields

Column	OBIEE Field	Load
DATE_KEY		SPL_DATE_SEQ.NEXTVAL
CAL_DT	Calendar Date	Date between the Start and End Date provided to the SPL_LOADDATE procedure
DAY_NBR_IN_MONTH	Day Number in Month (1-31)	TO_NUMBER(TO_CHAR(CAL_DT, 'DD'))
DAY_NBR_IN_WEEK	Day Number in Week (1-7)	TO_NUMBER(TO_CHAR(CAL_DT, 'D'))
DAY_NBR_IN_YEAR	Day number in Year (1-366)	TO_NUMBER(TO_CHAR(CAL_DT, 'DDD'))
WORK_DAY_IND	Work Day Indicator	0
ABS_MONTH_NBR	Absolute Month Number	Incremental number of the month, starting at 0
CAL_MONTH_NBR	Calendar Month Number (1-12)	TO_NUMBER(TO_CHAR(CAL_DT, 'MM'))
MONTH_END_DT	Month End Date	LAST_DAY(CAL_DT)
ABS_QTR_NBR	Absolute Quarter Number	Incremental number of the quarter, starting at 0

Column	OBIEE Field	Load
CAL_QTR_NBR	Calendar Quarter Number (1-4)	TO_NUMBER(TO_CHAR(CAL_DT, 'Q'))
QTR_END_DT	Quarter End Date	ADD_MONTHS(TRUNC(CAL_DT, 'Q'), 3) - 1
ABS_WEEK_NBR	Absolute Week Number	Incremental number of the week, starting at 0
CAL_WEEK_NBR	Calendar Week Number (1-53)	TO_NUMBER(TO_CHAR(CAL_DT, 'WW'))
WEEK_END_DT	Week End Date	CAL_DT + (7 - DAY_NBR_IN_WEEK);
CAL_YEAR	Calendar Year	TO_NUMBER(TO_CHAR(CAL_DT, 'YYYY'))
YEAR_END_DT	Year End Date	ADD_MONTHS(TRUNC(CAL_DT, 'YYYY'), 12) - 1;
UDF1_CD	User Defined Field Code	DAY_NBR_IN_WEEK
UDF1_DESCR	Day of Week	TO_CHAR(CAL_DT, 'Day')
UDF2_CD	User Defined Field Code	CAL_QTR_NBR
UDF2_DESCR	Calendar Quarter	'Quarter ' trim(to_char(CAL_QTR_NBR))
UDF3_CD	User Defined Field Code	If Month in 'December, January, February', then Winter, If Month in 'March, April, May', then Spring, If Month in 'June, July, August', then Summer, If Month in 'September, October, November', then Fall
UDF3_DESCR	Season	If Month in 'December, January, February', then Winter, If Month in 'March, April, May', then Spring, If Month in 'June, July, August', then Summer, If Month in 'September, October, November', then Fall
UDF4_CD	User Defined Field Code	WORK_DAY_IND
UDF4_DESCR	Workday	'Yes', 'No'
UDF5_CD	User Defined Field Code	CAL_MONTH_NBR
UDF5_DESCR	Calendar Month	TO_CHAR(CAL_DT, 'Month')
UDF6_CD	User Defined Field Code	
UDF6_DESCR	User Defined Field 6 Description	

Column	OBIEE Field	Load
UDF7_CD	User Defined Field Code	
UDF7_DESCR	User Defined Field 7 Description	
UDF8_CD	User Defined Field Code	
UDF8_DESCR	User Defined Field 8 Description	
UDF9_CD	User Defined Field Code	
UDF9_DESCR	User Defined Field 9 Description	
UDF10_CD	User Defined Field Code	
UDF10_DESCR	User Defined Field 10 Description	
	Month	trim(trailing '' from UDF5_DESCR '' cast(CAL_YEAR as CHARACTER (30)))
	Quarter	trim(trailing '' from UDF2_DESCR '' cast(CAL_YEAR as CHARACTER (30)))
	Calendar Day (Only Date)	cast(CAL_DT as DATE)

Failure Dimension <CD_FAILURE>

Properties

Property	Value
Table Type	Dimension
SCD Type	1

Fields

Column	OBIEE Field	Load
FAILURE_KEY		SPL_FAILURE_SEQ.NEXTVAL
DATA_LOAD_DTTM		SYSDATE
DATA_SOURCE_IN D		Stage: DATA_SOURCE_IND
SRC_FAILURE_ID	Source Failure ID	Stage: FAILURE_ID

Column	OBIEE Field	Load
FAILURE_CD		Stage: FAILURE_CD
FAILURE_DESCR	Failure	Stage: FAILURE_DESCR
UPDATE_DTTM		Stage: UPDATE_DTTM
UDF1_CD	User Defined Field Code	Stage: UDF1_CD
UDF1_DESCR	Facility	Stage: UDF1_DESCR
UDF2_CD	User Defined Field Code	Stage: UDF2_CD
UDF2_DESCR	User Defined Field 2 Description	Stage: UDF2_DESCR
JOB_NBR	Job Number	B1_ETL_JOB_CTRL.JOB_NBR

Fiscal Period Dimension <CD_FISCAL_CAL>

Properties

Property	Value
Table Type	Dimension
SCD Type	1

Fields

Column	OBIEE Field	Load
FISCAL_CAL_KEY		SPL_FISCAL_SEQ.NEXTVAL
FISCAL_CAL_CD		Stage: CALENDAR_CD
FISCAL_CAL_DESCR	Fiscal Calendar	Stage: CALENDR_DESCR
DATA_LOAD_DTTM		SYSDATE
DATA_SOURCE_IND		Stage: DATA_SOURCE_IND
PERIOD_DESCR	Fiscal Period	Stage: PERIOD_DESCR
PERIOD_END_DT	Fiscal Period End Date	Stage: PERIOD_END_DT
PERIOD_NBR	Fiscal Period Code	Stage: PERIOD_NBR
PERIOD_START_DT	Fiscal Period Start Date	Stage: PERIOD_START_DT
UPDATE_DTTM		Stage: UPDATE_DTTM
FISCAL_YEAR	Fiscal Year	Stage: FISCAL_YEAR
ABS_PERIOD_NBR		0
UDF1_CD	User Defined Field Code	Stage: UDF1_CD
UDF1_DESCR	Fiscal Quarter Number	Stage: UDF1_DESCR

Column	OBIEE Field	Load
UDF2_CD	User Defined Field Code	Stage: UDF2_CD
UDF2_DESCR	Fiscal Quarter	Stage: UDF2_DESCR
JOB_NBR	Job Number	B1_ETL_JOB_CTRL.JOB_NBR

Operational Account Dimension <CD_OP_ACCT>

Properties

Property	Value
Table Type	Dimension
SCD Type	2

Fields

Column	OBIEE Field	Load
OP_ACCT_KEY		SPL_OP_ACCT_SEQNEXTVAL
DATA_LOAD_DTTM		SYSDATE
DATA_SOURCE_IN D		Stage: DATA_SOURCE_IND
SRC_OP_ACCT_ID	Source Operational Account ID	Stage: OP_ACCT_ID
OP_ACCT_CD		Stage: OP_ACCT_CD
OP_ACCT_DESCR	Account Description	Stage: OP_ACCT_DESCR
UDF10_CD	User Defined Field Code	Stage: UDF10_CD
UDF10_DESCR	User Defined Field 10 Description	Stage: UDF10_DESCR
UDF11_CD	User Defined Field Code	Stage: UDF11_CD
UDF11_DESCR	User Defined Field 11 Description	Stage: UDF11_DESCR
UDF12_CD	User Defined Field Code	Stage: UDF12_CD
UDF12_DESCR	User Defined Field 12 Description	Stage: UDF12_DESCR
UDF13_CD	User Defined Field Code	Stage: UDF13_CD
UDF13_DESCR	User Defined Field 13 Description	Stage: UDF13_DESCR
UDF14_CD	User Defined Field Code	Stage: UDF14_CD

Column	OBIEE Field	Load
UDF14_DESCR	User Defined Field 14 Description	Stage: UDF14_DESCR
UDF15_CD	User Defined Field Code	Stage: UDF15_CD
UDF15_DESCR	User Defined Field 15 Description	Stage: UDF15_DESCR
UDF1_CD	User Defined Field Code	Stage: UDF1_CD
UDF1_DESCR	Area	Stage: UDF1_DESCR
UDF2_CD	User Defined Field Code	Stage: UDF2_CD
UDF2_DESCR	Facility	Stage: UDF2_DESCR
UDF3_CD	User Defined Field Code	Stage: UDF3_CD
UDF3_DESCR	Organization	Stage: UDF3_DESCR
UDF4_CD	User Defined Field Code	Stage: UDF4_CD
UDF4_DESCR	Company	Stage: UDF4_DESCR
UDF5_CD	User Defined Field Code	Stage: UDF5_CD
UDF5_DESCR	Department	Stage: UDF5_DESCR
UDF6_CD	User Defined Field Code	Stage: UDF6_CD
UDF6_DESCR	Level-2 Department	Stage: UDF6_DESCR
UDF7_CD	User Defined Field Code	Stage: UDF7_CD
UDF7_DESCR	Level-3 Department	Stage: UDF7_DESCR
UDF8_CD	User Defined Field Code	Stage: UDF8_CD
UDF8_DESCR	User Defined Field 8 Description	Stage: UDF8_DESCR
UDF9_CD	User Defined Field Code	Stage: UDF9_CD
UDF9_DESCR	User Defined Field 9 Description	Stage: UDF9_DESCR
EFF_END_DTTM		31-DEC-2999
EFF_START_DTTM		Stage: UPDATE_DTTM
JOB_NBR	Job Number	B1_ETL_JOB_CTRL.JOB_NBR

Operational Accounting Transaction Type Dimension <CD_OP_ACTG_TY>

Properties

Property	Value
Table Type	Dimension
SCD Type	1

Fields

Column	OBIEE Field	Load
OP_ACTG_TY_KEY		SPL_OP_ACTG_TY_SEQNEXTVAL
DATA_LOAD_DTTM		SYSDATE
DATA_SOURCE_IN D		Stage: DATA_SOURCE_IND
OP_ACTG_TY_CD		Stage: OP_ACTG_TY_CD
OP_ACTG_TY_DESC R	Transaction Type	Stage: OP_ACTG_TY_DESCR
UPDATE_DTTM		Stage: UPDATE_DTTM
UDF1_CD	User Defined Field Code	Stage: UDF1_CD
UDF1_DESCR	User Defined Field 1 Description	Stage: UDF1_DESCR
UDF2_CD	User Defined Field Code	Stage: UDF2_CD
UDF2_DESCR	User Defined Field 2 Description	Stage: UDF2_DESCR
JOB_NBR	Job Number	B1_ETL_JOB_CTRL.JOB_NBR

Operational Expense Dimension <CD_OP_EXP>

Properties

Property	Value
Table Type	Dimension
SCD Type	2

Fields

Column	OBIEE Field	Load
OP_EXP_KEY		SPL_OP_EXP_SEQ.NEXTVAL
DATA_LOAD_DTTM		SYSDATE
DATA_SOURCE_IN D		Stage: DATA_SOURCE_IND
SRC_OP_EXP_ID	Source Expense ID	Stage: OP_EXP_ID
OP_EXP_CD		Stage: OP_EXP_CD
OP_EXP_DESCR	Expense Code	Stage: OP_EXP_DESCR
UDF1_CD	User Defined Field Code	Stage: UDF1_CD
UDF1_DESCR	Expense Category	Stage: UDF1_DESCR
UDF2_CD	User Defined Field Code	Stage: UDF2_CD
UDF2_DESCR	Facility	Stage: UDF2_DESCR
EFF_END_DTTM		31-DEC-2999
EFF_START_DTTM		Stage: UPDATE_DTTM
JOB_NBR	Job Number	B1_ETL_JOB_CTRL.JOB_NBR

Operational Unit of Measure Dimension <CD_OP_UOM>

Properties

Property	Value
Table Type	Dimension
SCD Type	1

Fields

Column	OBIEE Field	Load
OP_UOM_KEY		SPL_OP_UOM_SEQ.NEXTVAL
DATA_LOAD_DTTM		SYSDATE
DATA_SOURCE_IN D		Stage: DATA_SOURCE_IND
OP_UOM_CD		Stage: UOM_CD
OP_UOM_DESCR	Unit of Measure	Stage: UOM_DESCR
UPDATE_DTTM		Stage: UPDATE_DTTM

Column	OBIEE Field	Load
JOB_NBR	Job Number	B1_ETL_JOB_CTRL.JOB_NBR

Planner Dimension <CD_PLANNER>

Properties

Property	Value
Table Type	Dimension
SCD Type	2

Fields

Column	OBIEE Field	Load
PLANNER_KEY		SPL_PLANNER_SEQ.NEXTVAL
DATA_LOAD_DTTM		SYSDATE
DATA_SOURCE_IN D		Stage: DATA_SOURCE_IND
SRC_PLANNER_ID	Source Planner ID	Stage: PLANNER_ID
PLANNER_CD		Stage: PLANNER_CD
PLANNER_DESCR	Planner	Stage: PLANNER_DESCR
UDF2_CD	User Defined Field Code	Stage: UDF2_CD
UDF2_DESCR	User Defined Field 2 Description	Stage: UDF2_DESCR
UDF1_CD	User Defined Field Code	Stage: UDF1_CD
UDF1_DESCR	Facility	Stage: UDF1_DESCR
EFF_END_DTTM		31-DEC-2999
EFF_START_DTTM		Stage: UPDATE_DTTM
JOB_NBR	Job Number	B1_ETL_JOB_CTRL.JOB_NBR

Repair Dimension <CD_REPAIR>

Properties

Property	Value
Table Type	Dimension
SCD Type	1

Fields

Column	OBIEE Field	Load
REPAIR_KEY		SPL_REPAIR_SEQ.NEXTVAL
DATA_LOAD_DTTM		SYSDATE
DATA_SOURCE_IN D		Stage: DATA_SOURCE_IND
SRC_REPAIR_ID	Source Repair ID	Stage: REPAIR_ID
REPAIR_CD		Stage: REPAIR_CD
REPAIR_DESCR	Repair Description	Stage: REPAIR_DESCR
UPDATE_DTTM		Stage: UPDATE_DTTM
UDF1_CD	User Defined Field Code	Stage: UDF1_CD
UDF1_DESCR	Facility	Stage: UDF1_DESCR
UDF2_CD	User Defined Field Code	Stage: UDF2_CD
UDF2_DESCR	User Defined Field 2 Description	Stage: UDF2_DESCR
JOB_NBR	Job Number	B1_ETL_JOB_CTRL.JOB_NBR

Root Cause Dimension <CD_ROOT_CAUSE>

Properties

Property	Value
Table Type	Dimension
SCD Type	1

Fields

Column	OBIEE Field	Load
ROOT_CAUSE_KEY		SPL_ROOT_CAUSE_SEQ.NEXTVAL
DATA_LOAD_DTTM		SYSDATE
DATA_SOURCE_IN D		Stage: DATA_SOURCE_IND
SRC_ROOT_CAUSE_ ID	Source Root Cause ID	Stage: ROOT_CAUSE_ID
ROOT_CAUSE_CD		Stage: ROOT_CAUSE_CD
ROOT_CAUSE_DES CR	Root Cause	Stage: ROOT_CAUSE_DESCR
UPDATE_DTTM		Stage: UPDATE_DTTM
UDF1_CD	User Defined Field Code	Stage: UDF1_CD
UDF1_DESCR	Facility	Stage: UDF1_DESCR
UDF2_CD	User Defined Field Code	Stage: UDF2_CD
UDF2_DESCR	User Defined Field 2 Description	Stage: UDF2_DESCR
JOB_NBR	Job Number	B1_ETL_JOB_CTRL.JOB_NBR

Snapshot Type Dimension <CD_SNAP_TYPE>

Properties

Property	Value
Table Type	Dimension
SCD Type	1

Property	Value
Comment	<p>This dimension is unusual in that it does NOT have an extract program. Rather, a utility generates the rows in this dimension. This utility is supplied in the form of a database stored procedure called SPL_LOADSNAPTYPE. This stored procedure is delivered with the Oracle Warehouse Builder package. Note, the same procedure is also included in the initial data warehouse setup workflow package called INIT_PKG for the execution.</p> <p>This stored procedure stores the following values:</p> <p>Y: yearly Q: quarterly M: monthly W: weekly D: daily H: hourly A: adhoc</p>

Fields

Column	OBIEE Field	Load
SNAP_TYPE_CD	Snapshot Type	Y, Q, M, W, D, H, A
SNAP_TYPE_DESCR	Snapshot Type Description	Yearly Quarterly Monthly Weekly Daily Hourly Adhoc

Stock Item Type Dimension <CD_STOCK_ITMTY>

Properties

Property	Value
Table Type	Dimension
SCD Type	2

Fields

Column	OBIEE Field	Load
STOCK_ITMTY_KEY		SPL_STOCK_ITMTY_SEQ.NEXTVAL
SRC_STOCK_ITMTY_ID		Stage: STOCK_ITMTY_ID
STOCK_ITMTY_INFO		Stage: STOCK_ITMTY_INFO
STOCK_ITMTY_CD		Stage: STOCK_ITMTY_CD
STOCK_ITMTY_DESCR	Stock Item Type	Stage: STOCK_ITMTY_DESCR
DATA_LOAD_DTTM		SYSDATE
DATA_SOURCE_IND		Stage: DATA_SOURCE_IND
UDF10_CD	User Defined Field Code	Stage: UDF10_CD
UDF10_DESCR	User Defined Field 10 Description	Stage: UDF10_DESCR
UDF1_CD	User Defined Field Code	Stage: UDF1_CD
UDF1_DESCR	Stock Type	Stage: UDF1_DESCR
UDF2_CD	User Defined Field Code	Stage: UDF2_CD
UDF2_DESCR	Stock Class	Stage: UDF2_DESCR
UDF3_CD	User Defined Field Code	Stage: UDF3_CD
UDF3_DESCR	Commodity Category	Stage: UDF3_DESCR
UDF4_CD	User Defined Field Code	Stage: UDF4_CD
UDF4_DESCR	Commodity Name	Stage: UDF4_DESCR
UDF5_CD	User Defined Field Code	Stage: UDF5_CD
UDF5_DESCR	Commodity Type	Stage: UDF5_DESCR
UDF6_CD	User Defined Field Code	Stage: UDF6_CD
UDF6_DESCR	Facility	Stage: UDF6_DESCR
UDF7_CD	User Defined Field Code	Stage: UDF7_CD
UDF7_DESCR	User Defined Field 7 Description	Stage: UDF7_DESCR
UDF8_CD	User Defined Field Code	Stage: UDF8_CD
UDF8_DESCR	User Defined Field 8 Description	Stage: UDF8_DESCR
UDF9_CD	User Defined Field Code	Stage: UDF9_CD

Column	OBIEE Field	Load
UDF9_DESCR	User Defined Field 9 Description	Stage: UDF9_DESCR
EFF_END_DTTM		31-DEC-2999
EFF_START_DTTM		Stage: UPDATE_DTTM
JOB_NBR	Job Number	B1_ETL_JOB_CTRL.JOB_NBR

Storeroom Dimension <CD_STRM>

Properties

Property	Value
Table Type	Dimension
SCD Type	2

Fields

Column	OBIEE Field	Load
STRM_KEY		SPL_STRM_SEQ.NEXTVAL
DATA_LOAD_DTTM		SYSDATE
DATA_SOURCE_IN D		Stage: DATA_SOURCE_IND
SRC_STRM_ID	Source Storeroom ID	Stage: STRM_ID
STRM_CD	Storeroom Code	Stage: STRM_CD
STRM_DESCR	Storeroom	Stage: STRM_DESCR
UDF1_CD	User Defined Field Code	Stage: UDF1_CD
UDF1_DESCR	Storeroom Type	Stage: UDF1_DESCR
UDF2_CD	User Defined Field Code	Stage: UDF2_CD
UDF2_DESCR	Facility	Stage: UDF2_DESCR
UDF3_CD	User Defined Field Code	Stage: UDF3_CD
UDF3_DESCR	Organization	Stage: UDF3_DESCR
UDF4_CD	User Defined Field Code	Stage: UDF4_CD
UDF4_DESCR	Company	Stage: UDF4_DESCR
UDF5_CD	User Defined Field Code	Stage: UDF5_CD
UDF5_DESCR	User Defined Field 5 Description	Stage: UDF5_DESCR

Column	OBIEE Field	Load
UDF10_CD	User Defined Field Code	Stage: UDF10_CD
UDF10_DESCR	User Defined Field 10 Description	Stage: UDF10_DESCR
UDF6_CD	User Defined Field Code	Stage: UDF6_CD
UDF6_DESCR	User Defined Field 6 Description	Stage: UDF6_DESCR
UDF7_CD	User Defined Field Code	Stage: UDF7_CD
UDF7_DESCR	User Defined Field 7 Description	Stage: UDF7_DESCR
UDF8_CD	User Defined Field Code	Stage: UDF8_CD
UDF8_DESCR	User Defined Field 8 Description	Stage: UDF8_DESCR
UDF9_CD	User Defined Field Code	Stage: UDF9_CD
UDF9_DESCR	User Defined Field 9 Description	Stage: UDF9_DESCR
EFF_END_DTTM		31-DEC-2999
EFF_START_DTTM		Stage: UPDATE_DTTM
JOB_NBR	Job Number	B1_ETL_JOB_CTRL.JOB_NBR

Storeroom Transaction Type Dimension <CD_STRM_TR_TY>

Properties

Property	Value
Table Type	Dimension
SCD Type	1

Fields

Column	OBIEE Field	Load
STRM_TR_TY_KEY		SPL_STRM_TR_TY_SEQ.NEXTVAL
DATA_LOAD_DTTM		SYSDATE
DATA_SOURCE_IN D		Stage: DATA_SOURCE_IND
STRM_TR_TY_CD		Stage: STRM_TR_TY_CD

Column	OBIEE Field	Load
STRM_TR_TY_DESCR	Storeroom Transaction Type	Stage: STRM_TR_TY_DESCR
UPDATE_DTTM		Stage: UPDATE_DTTM
UDF1_CD	User Defined Field Code	Stage: UDF1_CD
UDF1_DESCR	Transaction Group	Stage: UDF1_DESCR
UDF2_CD	User Defined Field Code	Stage: UDF2_CD
UDF2_DESCR	User Defined Field 2 Description	Stage: UDF2_DESCR
JOB_NBR	Job Number	B1_ETL_JOB_CTRL.JOB_NBR

Work Order Type Dimension <CD_WRKORD_TY>

Properties

Property	Value
Table Type	Dimension
SCD Type	1

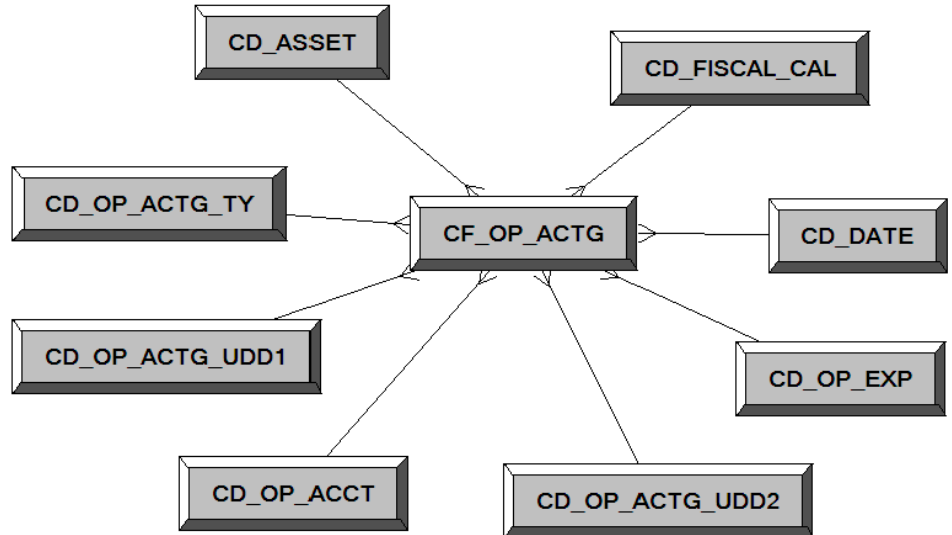
Fields

Column	OBIEE Field	Load
WRKORD_TY_KEY		SPL_WRKORD_TY_SEQ.NEXTVAL
WRKORD_TY_CD		Stage: WRKORD_TY_CD
WRKORD_TY_DESCR	Work Order Type	Stage: WRKORD_TY_DESCR
DATA_LOAD_DTTM		SYSDATE
DATA_SOURCE_IND		Stage: DATA_SOURCE_IND
UPDATE_DTTM		Stage: UPDATE_DTTM
UDF1_CD	User Defined Field Code	Stage: UDF1_CD
UDF1_DESCR	User Defined Field 1 Description	Stage: UDF1_DESCR
UDF2_CD	User Defined Field Code	Stage: UDF2_CD
UDF2_DESCR	User Defined Field 2 Description	Stage: UDF2_DESCR
JOB_NBR	Job Number	B1_ETL_JOB_CTRL.JOB_NBR

Fact Table Schema

Operational Accounting Transaction Fact <CF_OP_ACTG>

Entity Relationship Diagram



Properties

Property	Value
Table Type	Fact
Fact Type	Transaction
Default Analytic	Work and Asset Analytics

Fields

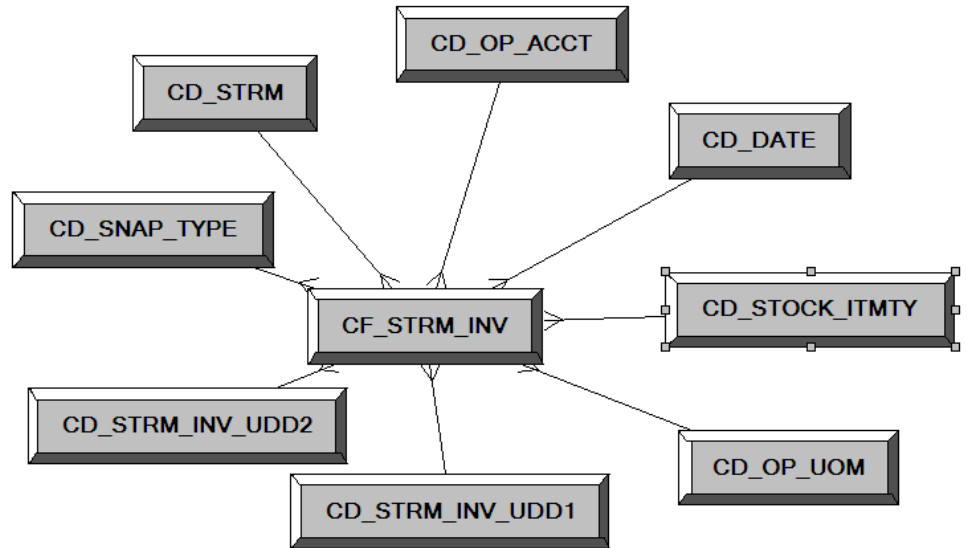
Column	OBIEE Field	Load
OP_ACTG_KEY		SPL_OP_ACTG_SEQNEXTVAL
ASSET_KEY		Join to CD_ASSET: Optional CD_ASSET.SRC_ASSET_ID(+) = Stage.ASSET_ID
CURRENCY_CD	Currency Code	Stage: CURRENCY_CD
DATA_SOURCE_IND		Stage: DATA_SOURCE_IND
TRANS_DATE_KEY		Join to CD_DATE: Required CD_DATE.CAL_DT = Stage.TRANS_DT
FACT_CNT	Financial Transaction Count	1

Column	OBIEE Field	Load
OP_ACCT_KEY		Join to CD_OP_ACCT: Required CD_OP_ACCT.SRC_OP_ACCT_ID = Stage.OP_ACCT_ID
OP_EXP_KEY		Join to CD_OP_EXP: Required CD_OP_EXP.SRC_OP_EXP_ID = Stage.OP_EXP_ID
OP_ACTG_TY_KEY		Join to CD_OP_ACTG_TY: Required CD_OP_ACTG_TY.OP_ACTG_TY_CD = Stage.OP_ACTG_TY_CD
OP_ACTG_UDD1_KEY		Join to CD_OP_ACTG_UDD1: Optional CD_OP_ACTG_UDD1.UDD1_CD(+) = Stage.UDD1_CD
OP_ACTG_UDD2_KEY		Join to CD_OP_ACTG_UDD2: Optional CD_OP_ACTG_UDD2.UDD2_CD(+) = Stage.UDD2_CD
SRC_OP_ACTG_ID	Account Log ID	Stage: OP_ACTG_ID
TRANS_AMT	Transaction Amount	Stage: TRANS_AMT
TRANS_HOURS	Transaction Hours	Stage: TRANS_HRS
UDM1	User Defined Measure 1	Stage: UDM1
UDM2	User Defined Measure 2	Stage: UDM2
UDM3	User Defined Measure 3	Stage: UDM3
UDM4	User Defined Measure 4	Stage: UDM4
UDM5	User Defined Measure 5	Stage: UDM5
FISCAL_CAL_KEY		Join to CD_FISCAL_CAL: Required CD_FISCAL_CAL.FISCAL_CAL_CD = Stage.FISCAL_CAL_CD AND CD_FISCAL_CAL.FISCAL_YEAR = Stage.FISCAL_YEAR AND CD_FISCAL_CAL.PERIOD_NBR = Stage.FISCAL_PER_CD
JOB_NBR	Job Number	B1_ETL_JOB_CTRL.JOB_NBR
UDDGEN1	User Defined Degenerate Dimension 1	Stage: UDDGEN1
UDDGEN2	User Defined Degenerate Dimension 2	Stage: UDDGEN2

Column	OBIEE Field	Load
UDDGEN3	User Defined Degenerate Dimension 3	Stage: UDDGEN3
	Expenditure of the Asset	sum(TRANS_AMT)

Storeroom Inventory Snapshot Fact <CF_STRM_INV>

Entity Relationship Diagram



Properties

Property	Value
Table Type	Fact
Fact Type	Snapshot
Default Analytic	Work and Asset Analytics

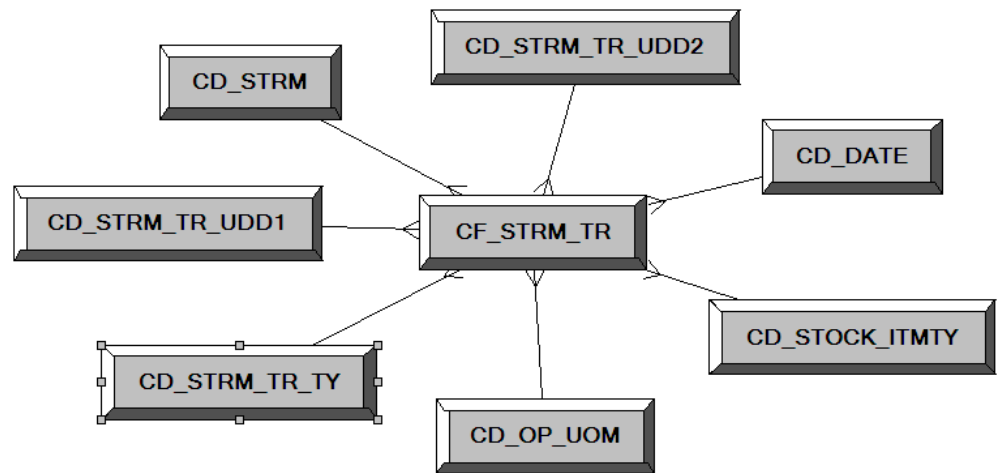
Fields

Column	OBIEE Field	Load
CURRENCY_CD	Currency Code	Stage: CURRENCY_CD
DATA_SOURCE_IND		Stage: DATA_SOURCE_IND
SNAPSHOT_DATE_KEY		Join to CD_DATE: Required CD_DATE.CAL_DT = Stage.SNAPSHOT_DATE
FACT_CNT	Storeroom Snapshot Count = 1	1
OP_ACCT_KEY		Join to CD_OP_ACCT: Required CD_OP_ACCT.SRC_OP_ACCT _ID = Stage.OP_ACCT_ID
OP_UOM_KEY		Join to CD_OP_UOM: Required CD_OP_UOM.OP_UOM_CD = Stage.OP_UOM_CD
QTY_ON_DEMAND	Quantity On Demand	Stage: QTY_ON_DEMAND

Column	OBIEE Field	Load
QTY_ON_HAND	Quantity On Hand	Stage: QTY_ON_HAND
QTY_OVER_MAX	Quantity Over Max	Stage: QTY_OVER_MAX
STOCK_ITMTY_KEY		Join to CD_STOCK_ITMTY: Required CD_STOCK_ITMTY.SRC_STO CK_ITMTY_ID = Stage.STOCK_ITEMTY_ID
STRM_INV_KEY		SPL_STRM_INV_SEQ.NEXTV AL
STRM_KEY		Join to CD_STRM: Required CD_STRM.SRC_STRM_ID = Stage.STRM_ID
STRM_INV_UDD1_KEY		Join to CD_STRM_INV_UDD1: Optional CD_STRM_INV_UDD1.UDD1 _CD(+) = Stage.UDD1_CD
STRM_INV_UDD2_KEY		Join to CD_STRM_INV_UDD2: Optional CD_STRM_INV_UDD2.UDD2 _CD(+) = Stage.UDD2_CD
SNAP_TYPE_CD		Join to CD_SNAP_TYPE: Required CD_SNAP_TYPE.SNAP_TYPE _CD = Stage.SNAP_TYPE_CD
VALUE_OVER_MAX	Value Over Max	Stage: VALUE_OVER_MAX
TOTAL_VALUE	Total Value	Stage: TOTAL_VALUE
UDM1	User Defined Measure 1	Stage: UDM1
UDM2	User Defined Measure 2	Stage: UDM2
UDM3	User Defined Measure 3	Stage: UDM3
UDM4	User Defined Measure 4	Stage: UDM4
UDM5	User Defined Measure 5	Stage: UDM5
JOB_NBR	Job Number	B1_ETL_JOB_CTRL.JOB_NBR
UDDGEN1	User Defined Degenerate Dimension 1	Stage: UDDGEN1
UDDGEN2	User Defined Degenerate Dimension 2	Stage: UDDGEN2
UDDGEN3	User Defined Degenerate Dimension 3	Stage: UDDGEN3
	Number of Items	SUM(FACT_CNT)

Storeroom Transaction Fact <CF_STRM_TR>

Entity Relationship Diagram



Properties

Property	Value
Table Type	Fact
Fact Type	Transaction
Default Analytic	Work and Asset Analytics

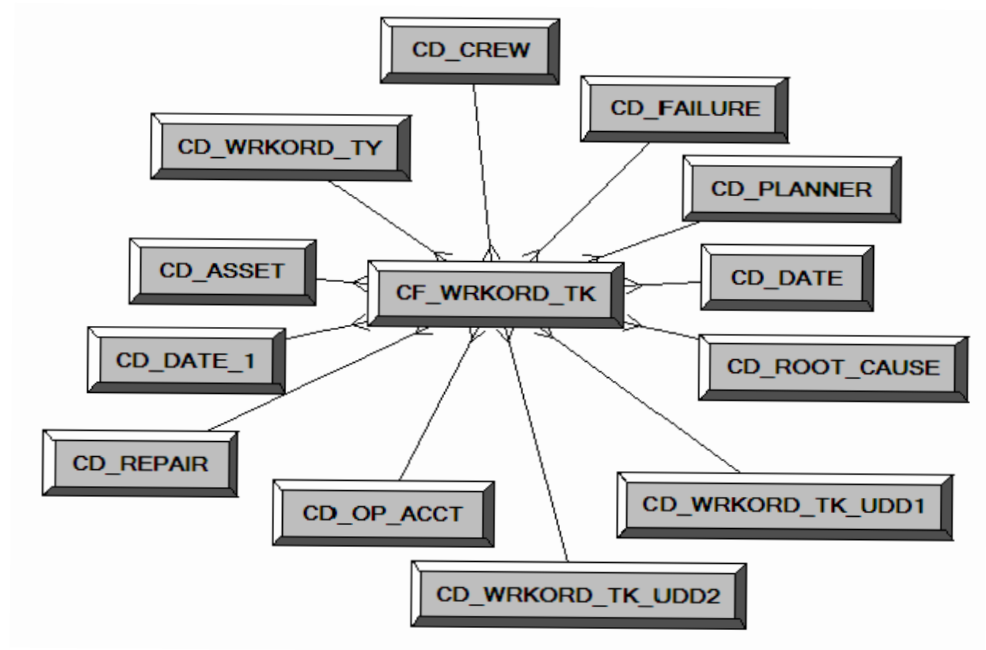
Fields

Column	OBIEE Field	Load
STRM_TR_KEY		SPL_STRM_TR_SEQ.NEXTVAL
CURRENCY_CD	Currency Code	Stage: CURRENCY_CD
DATA_SOURCE_IND		Stage: DATA_SOURCE_IND
TRANS_DT_KEY		Join to CD_DATE: Required CD_DATE.CAL_DT = Stage.TRANS_DT
FACT_CNT	Number of Stock Outs	1
OP_UOM_KEY		Join to CD_OP_UOM: Required CD_OP_UOM.OP_UOM_CD = Stage.OP_UOM_CD
STOCK_ITMTY_KEY		Join to CD_STOCK_ITMTY: Required CD_STOCK_ITMTY.SRC_STOCK_ITMTY_ID = Stage.STOCK_ITMTY_ID

Column	OBIEE Field	Load
STOCK_OUT_IND	Stock Out Indicator ('N' = 0, 'Y' = 1)	Stage: STOCK_OUT_IND
STRM_KEY		Join to CD_STRM: Required CD_STRM.SRC_STRM_ID = Stage.STRM_ID
SRC_STRM_TR_ID	Storeroom Transaction ID	Stage: STRM_TR_ID
STRM_TR_TY_KEY		Join to CD_STRM_TR_TY: Required CD_STRM_TR_TY.STRM_TR_TY_CD = Stage.STRM_TR_TY_CD
STRM_TR_UDD1_KEY		Join to CD_STRM_TR_UDD1: Optional CD_STRM_TR_UDD1.UDD1_CD(+) = Stage.UDD1_CD
STRM_TR_UDD2_KEY		Join to CD_STRM_TR_UDD2: Optional CD_STRM_TR_UDD2.UDD2_CD(+) = Stage.UDD2_CD
TRANS_AMT	Transaction Amount	Stage: TRANS_AMT
TRANS_QTY	Transaction Quantity	Stage: TRANS_QTY
UDM1	User Defined Measure 1	Stage: UDM1
UDM2	User Defined Measure 2	Stage: UDM2
UDM3	User Defined Measure 3	Stage: UDM3
UDM4	User Defined Measure 4	Stage: UDM4
UDM5		Stage: UDM5
JOB_NBR	Job Number	B1_ETL_JOB_CTRL.JOB_NBR
UDDGEN1	User Defined Degenerate Dimension 1	Stage: UDDGEN1
UDDGEN2	User Defined Degenerate Dimension 2	Stage: UDDGEN2
UDDGEN3	User Defined Degenerate Dimension 3	Stage: UDDGEN3

Work Order Task Fact <CF_WRKORD_TK>

Entity Relationship Diagram



Properties

Property	Value
Table Type	Fact
Fact Type	Transaction
Default Analytic	Work and Asset Analytics

Fields

Column	OBIEE Field	Load
WRKORD_TK_KEY		SPL_WRKORD_TK_SEQ.NEXTVAL
OP_ACCT_KEY		Join to CD_OP_ACCT: Required CD_OP_ACCT.SRC_OP_ACCT_ID = Stage.OP_ACCT_ID
ASSET_KEY		Join to CD_ASSET: Optional CD_ASSET.SRC_ASSET_ID(+) = Stage.ASSET_ID
CREW_KEY		Join to CD_CREW: Optional CD_CREW.SRC_CREW_ID(+) = Stage.CREW_ID

Column	OBIEE Field	Load
WRKORD_TY_KEY		Join to CD_WRKORD_TY: Required CD_WRKORD_TY.WRKORD_TY_CD = Stage.WRKORD_TY_CD
FINISH_DT_KEY		Join to CD_DATE: Required CD_DATE.CAL_DT = Stage.FINISH_DATE
FAILURE_KEY		Join to CD_FAILURE: Optional CD_FAILURE.SRC_FAILURE_ID(+) = Stage.FAILURE_ID
CLOSE_DT_KEY		Join to CD_DATE: Optional CD_DATE.CAL_DT(+) = Stage.CLOSE_DATE
PLANNER_KEY		Join to CD_PLANNER: Optional CD_PLANNER.SRC_PLANNER_ID(+) = Stage.PLANNER_ID
REPAIR_KEY		Join to CD_REPAIR: Optional CD_REPAIR.SRC_REPAIR_ID(+) = Stage.REPAIR_ID
ROOT_CAUSE_KEY		Join to CD_ROOT_CAUSE: Optional CD_ROOT_CAUSE.SRC_ROOT_CAUSE_ID(+) = Stage.ROOT_CAUSE_ID
WRKORD_TK_UDD1_KEY		Join to CD_WRKORD_TK_UDD1: Optional CD_WRKORD_TK_UDD1.UDD1_CD(+) = Stage.UDD1_CD
WRKORD_TK_UDD2_KEY		Join to CD_WRKORD_TK_UDD2: Optional CD_WRKORD_TK_UDD2.UDD2_CD(+) = Stage.UDD2_CD
ACT_TOT_AMT	Actual Total Amount	Stage: ACT_TOT_AMT
EST_TOT_AMT	Estimated Total Amount	Stage: EST_TOT_AMT
ACT_ADJUST_AMT	Actual Adjustment Amount	Stage: ACT_ADJUST_AMT
ACT_LBR_AMT	Actual Labor Amount	Stage: ACT_LBR_AMT
ACT_LBR_HOURS	Actual Labor Hours	Stage: ACT_LBR_HOURS
ACT_MAT_AMT	Actual Materials Amount	Stage: ACT_MAT_AMT
ACT_OTHER_AMT	Actual Other Amount	Stage: ACT_OTHER_AMT

Column	OBIEE Field	Load
ACT_SERVCON_AMT	Actual Contract Services Amount	Stage: ACT_SERVCON_AMT
CURRENCY_CD	Currency Code	Stage: CURRENCY_CD
DATA_SOURCE_IND		Stage: DATA_SOURCE_IND
EST_LBR_AMT	Estimated Labor Amount	Stage: EST_LBR_AMT
EST_LBR_HOURS	Estimated Labor Hours	Stage: EST_LBR_HOURS
EST_MAT_AMT	Estimated Materials Amount	Stage: EST_MAT_AMT
EST_OTHER_AMT	Estimated Other Amount	Stage: EST_OTHER_AMT
EST_SERVCON_AMT	Estimated Contract Services Amount	Stage: EST_SERVCON_AMT
FACT_CNT	Work Order Task Count = 1	1
LATE_SW	Late Code = (1 on late task else 0)	Stage: LATE_SW
SRC_WRKORD_TK_ID	Source Work Order Task ID	Stage: WRKORD_TK_ID
UDM1	Days Late	Stage: UDM1
UDM2	Days to close	Stage: UDM2
UDM3	Scheduled Downtime Indicator	Stage: UDM3
UDM4	User Defined Measure 4	Stage: UDM4
UDM5	User Defined Measure 5	Stage: UDM5
JOB_NBR	Job Number	B1_ETL_JOB_CTRL.JOB_NBR
UDDGEN1	User Defined Degenerate Dimension 1	Stage: UDDGEN1
UDDGEN2	User Defined Degenerate Dimension 2	Stage: UDDGEN2
UDDGEN3	User Defined Degenerate Dimension 3	Stage: UDDGEN3
	Average Time to Complete	sum(UDM2) / nullif(count(SRC_WRKORD_TK_ID), 0)
	Average Labor Hours	sum(ACT_LBR_HOURS) / nullif(count(SRC_WRKORD_TK_ID), 0)
	Cost	sum(ACT_TOT_AMT)
	Number Of Assets	count(CD_ASSET.ASSET_CD)

Column	OBIEE Field	Load
	Proactive Maintenance	sum(case when WRKORD_TY_DESCR = 'Preventive Maintenance' then 1 else 0 end)
	Reactive Maintenance	sum(case when WRKORD_TY_CD <> 'P' then 1 else 0 end)
	Proactive %	sum(case when CD_WRKORD_TY.WRKORD_ TY_DESCR = 'Preventive Maintenance' then 1 else 0 end) * 100.0 / nullif(sum(case when CD_WRKORD_TY.WRKORD_ TY_DESCR = 'Preventive Maintenance' then 1 else 0 end) + sum(case when CD_WRKORD_TY.WRKORD_ TY_CD <> 'P' then 1 else 0 end) , 0)
	Mean Time To Repair (hours)	avg(ACT_LBR_HOURS)
	Work Order Count	count(SRC_WRKORD_TK_ID)
	Total Labor Hours	sum(ACT_LBR_HOURS)