

**Oracle® Database**

Utilities

11g Release 1 (11.1)

**B28319-02**

September 2007

Oracle Database Utilities, 11g Release 1 (11.1)

B28319-02

Copyright © 1996, 2007, Oracle. All rights reserved.

Primary Author: Kathy Rich

Contributors: Lee Barton, Ellen Batbouta, Janet Blowney, George Claborn, Jay Davison, Steve DiPirro, Marcus Fallen, Bill Fisher, Steve Fogel, Dean Gagne, John Galanes, John Kalogeropoulos, Jonathan Klein, Cindy Lim, Eric Magrath, Brian McCarthy, Rod Payne, Ray Pfau, Rich Phillips, Paul Reilly, Mike Sakayeda, Francisco Sanchez, Marilyn Saunders, Jim Stenoish, Carol Tagliaferri, Hailing Yu

The Programs (which include both the software and documentation) contain proprietary information; they are provided under a license agreement containing restrictions on use and disclosure and are also protected by copyright, patent, and other intellectual and industrial property laws. Reverse engineering, disassembly, or decompilation of the Programs, except to the extent required to obtain interoperability with other independently created software or as specified by law, is prohibited.

The information contained in this document is subject to change without notice. If you find any problems in the documentation, please report them to us in writing. This document is not warranted to be error-free. Except as may be expressly permitted in your license agreement for these Programs, no part of these Programs may be reproduced or transmitted in any form or by any means, electronic or mechanical, for any purpose.

If the Programs are delivered to the United States Government or anyone licensing or using the Programs on behalf of the United States Government, the following notice is applicable:

U.S. GOVERNMENT RIGHTS Programs, software, databases, and related documentation and technical data delivered to U.S. Government customers are "commercial computer software" or "commercial technical data" pursuant to the applicable Federal Acquisition Regulation and agency-specific supplemental regulations. As such, use, duplication, disclosure, modification, and adaptation of the Programs, including documentation and technical data, shall be subject to the licensing restrictions set forth in the applicable Oracle license agreement, and, to the extent applicable, the additional rights set forth in FAR 52.227-19, Commercial Computer Software--Restricted Rights (June 1987). Oracle USA, Inc., 500 Oracle Parkway, Redwood City, CA 94065.

The Programs are not intended for use in any nuclear, aviation, mass transit, medical, or other inherently dangerous applications. It shall be the licensee's responsibility to take all appropriate fail-safe, backup, redundancy and other measures to ensure the safe use of such applications if the Programs are used for such purposes, and we disclaim liability for any damages caused by such use of the Programs.

Oracle, JD Edwards, PeopleSoft, and Siebel are registered trademarks of Oracle Corporation and/or its affiliates. Other names may be trademarks of their respective owners.

The Programs may provide links to Web sites and access to content, products, and services from third parties. Oracle is not responsible for the availability of, or any content provided on, third-party Web sites. You bear all risks associated with the use of such content. If you choose to purchase any products or services from a third party, the relationship is directly between you and the third party. Oracle is not responsible for: (a) the quality of third-party products or services; or (b) fulfilling any of the terms of the agreement with the third party, including delivery of products or services and warranty obligations related to purchased products or services. Oracle is not responsible for any loss or damage of any sort that you may incur from dealing with any third party.

---

---

# Contents

<b>Preface</b> .....	xxxix
Audience .....	xxxix
Documentation Accessibility .....	xxxix
Related Documentation .....	xxxix
Syntax Diagrams.....	xxxix
Conventions .....	xxxix
<b>What's New in Database Utilities?</b> .....	xxxv
New Features in Oracle Database 11g Release 1 .....	xxxv
<b>Part I Oracle Data Pump</b>	
<b>1 Overview of Oracle Data Pump</b>	
<b>Data Pump Components</b> .....	1-1
<b>How Does Data Pump Move Data?</b> .....	1-2
Using Data File Copying to Move Data .....	1-3
Using Direct Path to Move Data .....	1-3
Using External Tables to Move Data.....	1-4
Using Network Link Import to Move Data.....	1-5
<b>What Happens During Execution of a Data Pump Job?</b> .....	1-6
Coordination of a Job.....	1-6
Tracking Progress Within a Job.....	1-6
Filtering Data and Metadata During a Job .....	1-7
Transforming Metadata During a Job .....	1-7
Maximizing Job Performance .....	1-7
Loading and Unloading of Data .....	1-8
<b>Monitoring Job Status</b> .....	1-8
Monitoring the Progress of Executing Jobs .....	1-9
<b>File Allocation</b> .....	1-10
Specifying Files and Adding Additional Dump Files .....	1-10
Default Locations for Dump, Log, and SQL Files .....	1-10
Using Directory Objects When Automatic Storage Management Is Enabled.....	1-12
Setting Parallelism.....	1-12
Using Substitution Variables .....	1-12
<b>Moving Data Between Different Database Versions</b> .....	1-13

## 2 Data Pump Export

<b>What Is Data Pump Export?</b> .....	2-1
<b>Invoking Data Pump Export</b> .....	2-2
Data Pump Export Interfaces .....	2-2
Data Pump Export Modes.....	2-3
Full Export Mode .....	2-3
Schema Mode .....	2-3
Table Mode .....	2-3
Tablespace Mode.....	2-4
Transportable Tablespace Mode.....	2-4
Network Considerations .....	2-5
<b>Filtering During Export Operations</b> .....	2-5
Data Filters .....	2-6
Metadata Filters.....	2-6
<b>Parameters Available in Export's Command-Line Mode</b> .....	2-7
ATTACH .....	2-8
COMPRESSION .....	2-9
CONTENT.....	2-9
DATA_OPTIONS.....	2-10
DIRECTORY .....	2-11
DUMPFILE.....	2-11
ENCRYPTION .....	2-13
ENCRYPTION_ALGORITHM.....	2-13
ENCRYPTION_MODE.....	2-14
ENCRYPTION_PASSWORD .....	2-15
ESTIMATE.....	2-17
ESTIMATE_ONLY .....	2-17
EXCLUDE.....	2-18
FILESIZE.....	2-19
FLASHBACK_SCN.....	2-20
FLASHBACK_TIME .....	2-21
FULL .....	2-22
HELP .....	2-22
INCLUDE .....	2-23
JOB_NAME .....	2-24
LOGFILE.....	2-25
NETWORK_LINK.....	2-26
NOLOGFILE .....	2-27
PARALLEL.....	2-27
PARFILE .....	2-28
QUERY.....	2-29
REMAP_DATA .....	2-30
REUSE_DUMPFILES .....	2-31
SAMPLE .....	2-31
SCHEMAS.....	2-32
STATUS .....	2-33
TABLES.....	2-33

TABLESPACES.....	2-35
TRANSPORT_FULL_CHECK.....	2-35
TRANSPORT_TABLESPACES .....	2-36
TRANSPORTABLE.....	2-37
VERSION.....	2-38
<b>How Data Pump Export Parameters Map to Those of the Original Export Utility .....</b>	<b>2-39</b>
<b>Commands Available in Export's Interactive-Command Mode .....</b>	<b>2-41</b>
ADD_FILE.....	2-41
CONTINUE_CLIENT.....	2-42
EXIT_CLIENT.....	2-42
FILESIZE.....	2-43
HELP.....	2-43
KILL_JOB.....	2-43
PARALLEL.....	2-44
START_JOB.....	2-44
STATUS.....	2-44
STOP_JOB.....	2-45
<b>Examples of Using Data Pump Export .....</b>	<b>2-45</b>
Performing a Table-Mode Export.....	2-46
Data-Only Unload of Selected Tables and Rows.....	2-46
Estimating Disk Space Needed in a Table-Mode Export .....	2-46
Performing a Schema-Mode Export .....	2-47
Performing a Parallel Full Database Export.....	2-47
Using Interactive Mode to Stop and Reattach to a Job .....	2-47
<b>Syntax Diagrams for Data Pump Export.....</b>	<b>2-48</b>

### 3 Data Pump Import

<b>What Is Data Pump Import?.....</b>	<b>3-1</b>
<b>Invoking Data Pump Import.....</b>	<b>3-2</b>
Data Pump Import Interfaces.....	3-2
Data Pump Import Modes .....	3-3
Full Import Mode.....	3-3
Schema Mode .....	3-4
Table Mode .....	3-4
Tablespace Mode.....	3-4
Transportable Tablespace Mode.....	3-4
Network Considerations.....	3-5
<b>Filtering During Import Operations.....</b>	<b>3-5</b>
Data Filters .....	3-6
Metadata Filters.....	3-6
<b>Parameters Available in Import's Command-Line Mode.....</b>	<b>3-6</b>
ATTACH .....	3-8
CONTENT.....	3-9
DATA_OPTIONS.....	3-9
DIRECTORY .....	3-10
DUMPFILE.....	3-11
ENCRYPTION_PASSWORD .....	3-12

ESTIMATE.....	3-12
EXCLUDE.....	3-13
FLASHBACK_SCN.....	3-15
FLASHBACK_TIME .....	3-15
FULL .....	3-16
HELP .....	3-17
INCLUDE.....	3-17
JOB_NAME .....	3-18
LOGFILE.....	3-19
NETWORK_LINK.....	3-20
NOLOGFILE .....	3-21
PARALLEL.....	3-22
PARFILE .....	3-22
PARTITION_OPTIONS .....	3-23
QUERY.....	3-24
REMAP_DATA .....	3-25
REMAP_DATAFILE .....	3-26
REMAP_SCHEMA.....	3-27
REMAP_TABLE .....	3-28
REMAP_TABLESPACE .....	3-29
REUSE_DATAFILES.....	3-29
SCHEMAS.....	3-30
SKIP_UNUSABLE_INDEXES .....	3-31
SQLFILE.....	3-31
STATUS .....	3-32
STREAMS_CONFIGURATION .....	3-33
TABLE_EXISTS_ACTION .....	3-33
TABLES.....	3-34
TABLESPACES.....	3-35
TRANSFORM .....	3-36
TRANSPORT_DATAFILES .....	3-38
TRANSPORT_FULL_CHECK.....	3-39
TRANSPORT_TABLESPACES .....	3-40
TRANSPORTABLE.....	3-41
VERSION.....	3-41
<b>How Data Pump Import Parameters Map to Those of the Original Import Utility.....</b>	<b>3-42</b>
<b>Commands Available in Import's Interactive-Command Mode.....</b>	<b>3-44</b>
CONTINUE_CLIENT .....	3-45
EXIT_CLIENT .....	3-45
HELP .....	3-45
KILL_JOB.....	3-46
PARALLEL.....	3-46
START_JOB .....	3-46
STATUS .....	3-47
STOP_JOB.....	3-47
<b>Examples of Using Data Pump Import .....</b>	<b>3-48</b>
Performing a Data-Only Table-Mode Import .....	3-48

Performing a Schema-Mode Import.....	3-48
Performing a Network-Mode Import.....	3-49
<b>Syntax Diagrams for Data Pump Import.....</b>	<b>3-49</b>

## 4 Data Pump Performance

<b>Data Performance Improvements for Data Pump Export and Import.....</b>	<b>4-1</b>
<b>Tuning Performance.....</b>	<b>4-2</b>
Controlling Resource Consumption.....	4-2
Effects of Compression and Encryption on Performance .....	4-2
<b>Initialization Parameters That Affect Data Pump Performance .....</b>	<b>4-3</b>
Setting the Size Of the Buffer Cache In a Streams Environment.....	4-3

## 5 The Data Pump API

<b>How Does the Client Interface to the Data Pump API Work?.....</b>	<b>5-1</b>
Job States.....	5-1
<b>What Are the Basic Steps in Using the Data Pump API? .....</b>	<b>5-3</b>
<b>Examples of Using the Data Pump API .....</b>	<b>5-4</b>

## Part II SQL\*Loader

### 6 SQL\*Loader Concepts

<b>SQL*Loader Features.....</b>	<b>6-1</b>
<b>SQL*Loader Parameters.....</b>	<b>6-2</b>
<b>SQL*Loader Control File .....</b>	<b>6-3</b>
<b>Input Data and Datafiles .....</b>	<b>6-3</b>
Fixed Record Format .....	6-4
Variable Record Format .....	6-4
Stream Record Format .....	6-5
Logical Records .....	6-6
Data Fields.....	6-6
<b>LOBFILES and Secondary Datafiles (SDFs).....</b>	<b>6-7</b>
<b>Data Conversion and Datatype Specification.....</b>	<b>6-7</b>
<b>Discarded and Rejected Records.....</b>	<b>6-8</b>
The Bad File.....	6-8
SQL*Loader Rejects .....	6-8
Oracle Database Rejects .....	6-8
The Discard File.....	6-8
<b>Log File and Logging Information.....</b>	<b>6-9</b>
<b>Conventional Path Loads, Direct Path Loads, and External Table Loads.....</b>	<b>6-9</b>
Conventional Path Loads.....	6-9
Direct Path Loads .....	6-9
Parallel Direct Path .....	6-10
External Table Loads .....	6-10
Choosing External Tables Versus SQL*Loader .....	6-10
<b>Loading Objects, Collections, and LOBs.....</b>	<b>6-10</b>
Supported Object Types.....	6-11

column objects .....	6-11
row objects .....	6-11
Supported Collection Types .....	6-11
Nested Tables .....	6-11
VARRAYs.....	6-11
Supported LOB Types .....	6-11
<b>Partitioned Object Support .....</b>	<b>6-12</b>
<b>Application Development: Direct Path Load API .....</b>	<b>6-12</b>
<b>SQL*Loader Case Studies.....</b>	<b>6-12</b>
Case Study Files.....	6-13
Running the Case Studies .....	6-14
Case Study Log Files.....	6-14
Checking the Results of a Case Study .....	6-14

## 7 SQL\*Loader Command-Line Reference

<b>Invoking SQL*Loader .....</b>	<b>7-1</b>
Alternative Ways to Specify Parameters .....	7-2
<b>Command-Line Parameters .....</b>	<b>7-2</b>
BAD (bad file) .....	7-2
BINDSIZE (maximum size) .....	7-2
COLUMNARRAYROWS.....	7-3
CONTROL (control file).....	7-3
DATA (datafile).....	7-3
DATE_CACHE .....	7-3
DIRECT (data path) .....	7-4
DISCARD (filename) .....	7-4
DISCARDMAX (integer).....	7-4
ERRORS (errors to allow) .....	7-4
EXTERNAL_TABLE .....	7-5
Restrictions When Using EXTERNAL_TABLE .....	7-6
FILE (tablespace file to load into) .....	7-6
LOAD (number of records to load) .....	7-7
LOG (log file) .....	7-7
MULTITHREADING.....	7-7
PARALLEL (parallel load).....	7-7
PARFILE (parameter file).....	7-7
READSIZE (read buffer size).....	7-8
RESUMABLE .....	7-8
RESUMABLE_NAME .....	7-8
RESUMABLE_TIMEOUT .....	7-9
ROWS (rows per commit).....	7-9
SILENT (feedback mode).....	7-9
SKIP (records to skip) .....	7-10
SKIP_INDEX_MAINTENANCE.....	7-10
SKIP_UNUSABLE_INDEXES .....	7-11
STREAMSIZE.....	7-11
USERID (username/password) .....	7-11



Exit Codes for Inspection and Display .....	7-12
---	------

## 8 SQL\*Loader Control File Reference

<b>Control File Contents</b> .....	8-1
Comments in the Control File .....	8-3
<b>Specifying Command-Line Parameters in the Control File</b> .....	8-3
OPTIONS Clause.....	8-3
<b>Specifying Filenames and Object Names</b> .....	8-4
Filenames That Conflict with SQL and SQL*Loader Reserved Words.....	8-4
Specifying SQL Strings .....	8-4
Operating System Considerations .....	8-4
Specifying a Complete Path.....	8-4
Backslash Escape Character.....	8-4
Nonportable Strings .....	8-5
Using the Backslash as an Escape Character .....	8-5
Escape Character Is Sometimes Disallowed .....	8-5
<b>Identifying XMLType Tables</b> .....	8-5
<b>Specifying Datafiles</b> .....	8-6
Examples of INFILE Syntax.....	8-7
Specifying Multiple Datafiles .....	8-8
<b>Identifying Data in the Control File with BEGINDATA</b> .....	8-8
<b>Specifying Datafile Format and Buffering</b> .....	8-9
<b>Specifying the Bad File</b> .....	8-9
Examples of Specifying a Bad File Name .....	8-10
How Bad Files Are Handled with LOBFILES and SDFs .....	8-10
Criteria for Rejected Records.....	8-10
<b>Specifying the Discard File</b> .....	8-11
Specifying the Discard File in the Control File .....	8-11
Specifying the Discard File from the Command Line .....	8-12
Examples of Specifying a Discard File Name .....	8-12
Criteria for Discarded Records.....	8-12
How Discard Files Are Handled with LOBFILES and SDFs .....	8-12
Limiting the Number of Discarded Records.....	8-12
<b>Handling Different Character Encoding Schemes</b> .....	8-13
Multibyte (Asian) Character Sets.....	8-13
Unicode Character Sets .....	8-13
Database Character Sets .....	8-14
Datafile Character Sets .....	8-14
Input Character Conversion .....	8-14
Considerations When Loading Data into VARRAYs or Primary-Key-Based REFs.....	8-15
CHARACTERSET Parameter.....	8-15
Control File Character Set.....	8-16
Character-Length Semantics .....	8-17
Shift-sensitive Character Data.....	8-18
<b>Interrupted Loads</b> .....	8-18
Discontinued Conventional Path Loads .....	8-19
Discontinued Direct Path Loads .....	8-19

Load Discontinued Because of Space Errors .....	8-19
Load Discontinued Because Maximum Number of Errors Exceeded .....	8-19
Load Discontinued Because of Fatal Errors .....	8-20
Load Discontinued Because a Ctrl+C Was Issued .....	8-20
Status of Tables and Indexes After an Interrupted Load .....	8-20
Using the Log File to Determine Load Status .....	8-20
Continuing Single-Table Loads.....	8-20
<b>Assembling Logical Records from Physical Records .....</b>	<b>8-21</b>
Using CONCATENATE to Assemble Logical Records.....	8-21
Using CONTINUEIF to Assemble Logical Records.....	8-21
<b>Loading Logical Records into Tables.....</b>	<b>8-24</b>
Specifying Table Names .....	8-24
INTO TABLE Clause .....	8-24
Table-Specific Loading Method .....	8-25
Loading Data into Empty Tables .....	8-25
Loading Data into Nonempty Tables.....	8-25
Table-Specific OPTIONS Parameter .....	8-26
Loading Records Based on a Condition.....	8-27
Using the WHEN Clause with LOBFILES and SDFs .....	8-27
Specifying Default Data Delimiters .....	8-27
fields_spec .....	8-28
termination_spec.....	8-28
enclosure_spec.....	8-28
Handling Short Records with Missing Data .....	8-28
TRAILING NULLCOLS Clause .....	8-29
<b>Index Options.....</b>	<b>8-29</b>
SORTED INDEXES Clause .....	8-29
SINGLEROW Option.....	8-30
<b>Benefits of Using Multiple INTO TABLE Clauses.....</b>	<b>8-30</b>
Extracting Multiple Logical Records .....	8-30
Relative Positioning Based on Delimiters .....	8-31
Distinguishing Different Input Record Formats.....	8-31
Relative Positioning Based on the POSITION Parameter .....	8-32
Distinguishing Different Input Row Object Subtypes.....	8-32
Loading Data into Multiple Tables.....	8-33
Summary .....	8-33
<b>Bind Arrays and Conventional Path Loads .....</b>	<b>8-34</b>
Size Requirements for Bind Arrays .....	8-34
Performance Implications of Bind Arrays .....	8-34
Specifying Number of Rows Versus Size of Bind Array .....	8-34
Calculations to Determine Bind Array Size .....	8-35
Determining the Size of the Length Indicator .....	8-36
Calculating the Size of Field Buffers .....	8-36
Minimizing Memory Requirements for Bind Arrays .....	8-38
Calculating Bind Array Size for Multiple INTO TABLE Clauses.....	8-38

## 9 SQL\*Loader Field List Reference

<b>Field List Contents</b> .....	9-1
<b>Specifying the Position of a Data Field</b> .....	9-2
Using POSITION with Data Containing Tabs .....	9-3
Using POSITION with Multiple Table Loads .....	9-3
Examples of Using POSITION .....	9-4
<b>Specifying Columns and Fields</b> .....	9-4
Specifying Filler Fields .....	9-4
Specifying the Datatype of a Data Field .....	9-6
<b>SQL*Loader Datatypes</b> .....	9-6
Nonportable Datatypes .....	9-6
INTEGER( <i>n</i> ).....	9-7
SMALLINT .....	9-7
FLOAT .....	9-7
DOUBLE.....	9-8
BYTEINT .....	9-8
ZONED.....	9-8
DECIMAL .....	9-9
VARGRAPHIC .....	9-9
VARCHAR.....	9-10
VARRAW .....	9-11
LONG VARRAW .....	9-11
Portable Datatypes .....	9-11
CHAR.....	9-12
Datetime and Interval Datatypes.....	9-12
GRAPHIC.....	9-14
GRAPHIC EXTERNAL .....	9-15
Numeric EXTERNAL .....	9-15
RAW.....	9-16
VARCHARC .....	9-16
VARRAWC .....	9-17
Conflicting Native Datatype Field Lengths .....	9-17
Field Lengths for Length-Value Datatypes .....	9-17
Datatype Conversions .....	9-17
Datatype Conversions for Datetime and Interval Datatypes .....	9-18
Specifying Delimiters.....	9-19
TERMINATED Fields.....	9-19
ENCLOSED Fields .....	9-20
Syntax for Termination and Enclosure Specification.....	9-20
Delimiter Marks in the Data .....	9-21
Maximum Length of Delimited Data .....	9-21
Loading Trailing Blanks with Delimiters .....	9-22
Conflicting Field Lengths for Character Datatypes .....	9-22
Predetermined Size Fields .....	9-22
Delimited Fields .....	9-22
Date Field Masks.....	9-23
<b>Specifying Field Conditions</b> .....	9-23

Comparing Fields to BLANKS.....	9-24
Comparing Fields to Literals .....	9-25
<b>Using the WHEN, NULLIF, and DEFAULTIF Clauses.....</b>	<b>9-25</b>
Examples of Using the WHEN, NULLIF, and DEFAULTIF Clauses.....	9-27
<b>Loading Data Across Different Platforms .....</b>	<b>9-29</b>
<b>Byte Ordering.....</b>	<b>9-29</b>
Specifying Byte Order .....	9-30
Using Byte Order Marks (BOMs).....	9-31
Suppressing Checks for BOMs.....	9-32
<b>Loading All-Blank Fields.....</b>	<b>9-33</b>
<b>Trimming Whitespace.....</b>	<b>9-33</b>
Datatypes for Which Whitespace Can Be Trimmed .....	9-35
Specifying Field Length for Datatypes for Which Whitespace Can Be Trimmed .....	9-36
Predetermined Size Fields .....	9-36
Delimited Fields .....	9-36
Relative Positioning of Fields.....	9-36
No Start Position Specified for a Field .....	9-36
Previous Field Terminated by a Delimiter .....	9-37
Previous Field Has Both Enclosure and Termination Delimiters.....	9-37
Leading Whitespace .....	9-37
Previous Field Terminated by Whitespace .....	9-37
Optional Enclosure Delimiters .....	9-38
Trimming Trailing Whitespace .....	9-38
Trimming Enclosed Fields.....	9-38
<b>How the PRESERVE BLANKS Option Affects Whitespace Trimming.....</b>	<b>9-39</b>
How [NO] PRESERVE BLANKS Works with Delimiter Clauses.....	9-39
<b>Applying SQL Operators to Fields .....</b>	<b>9-40</b>
Referencing Fields.....	9-41
Common Uses of SQL Operators in Field Specifications.....	9-42
Combinations of SQL Operators.....	9-42
Using SQL Strings with a Date Mask.....	9-43
Interpreting Formatted Fields .....	9-43
Using SQL Strings to Load the ANYDATA Database Type.....	9-43
<b>Using SQL*Loader to Generate Data for Input.....</b>	<b>9-44</b>
Loading Data Without Files .....	9-44
Setting a Column to a Constant Value.....	9-44
CONSTANT Parameter .....	9-44
Setting a Column to an Expression Value .....	9-45
EXPRESSION Parameter.....	9-45
Setting a Column to the Datafile Record Number .....	9-45
RECNUM Parameter .....	9-45
Setting a Column to the Current Date .....	9-45
SYSDATE Parameter .....	9-46
Setting a Column to a Unique Sequence Number.....	9-46
SEQUENCE Parameter .....	9-46
Generating Sequence Numbers for Multiple Tables.....	9-47
Example: Generating Different Sequence Numbers for Each Insert .....	9-47

## 10 Loading Objects, LOBs, and Collections

<b>Loading Column Objects</b> .....	10-1
Loading Column Objects in Stream Record Format .....	10-2
Loading Column Objects in Variable Record Format.....	10-2
Loading Nested Column Objects.....	10-3
Loading Column Objects with a Derived Subtype .....	10-3
Specifying Null Values for Objects.....	10-4
Specifying Attribute Nulls.....	10-4
Specifying Atomic Nulls .....	10-5
Loading Column Objects with User-Defined Constructors.....	10-6
<b>Loading Object Tables</b> .....	10-9
Loading Object Tables with a Subtype .....	10-10
<b>Loading REF Columns</b> .....	10-11
Specifying Table Names in a REF Clause .....	10-11
System-Generated OID REF Columns .....	10-12
Primary Key REF Columns.....	10-12
Unscoped REF Columns That Allow Primary Keys .....	10-13
<b>Loading LOBs</b> .....	10-14
Loading LOB Data from a Primary Datafile .....	10-14
LOB Data in Predetermined Size Fields .....	10-15
LOB Data in Delimited Fields .....	10-15
LOB Data in Length-Value Pair Fields.....	10-16
Loading LOB Data from LOBFILES.....	10-17
Dynamic Versus Static LOBFILE Specifications.....	10-18
Examples of Loading LOB Data from LOBFILES.....	10-18
Considerations When Loading LOBs from LOBFILES.....	10-21
<b>Loading BFILE Columns</b> .....	10-21
<b>Loading Collections (Nested Tables and VARRAYs)</b> .....	10-22
Restrictions in Nested Tables and VARRAYs.....	10-23
Secondary Datafiles (SDFs).....	10-24
<b>Dynamic Versus Static SDF Specifications</b> .....	10-25
<b>Loading a Parent Table Separately from Its Child Table</b> .....	10-25
Memory Issues When Loading VARRAY Columns .....	10-26

## 11 Conventional and Direct Path Loads

<b>Data Loading Methods</b> .....	11-1
Loading ROWID Columns .....	11-2
<b>Conventional Path Load</b> .....	11-3
Conventional Path Load of a Single Partition.....	11-3
When to Use a Conventional Path Load.....	11-3
<b>Direct Path Load</b> .....	11-4
Data Conversion During Direct Path Loads .....	11-4
Direct Path Load of a Partitioned or Subpartitioned Table .....	11-5
Direct Path Load of a Single Partition or Subpartition.....	11-5
Advantages of a Direct Path Load.....	11-5
Restrictions on Using Direct Path Loads .....	11-6
Restrictions on a Direct Path Load of a Single Partition.....	11-7

When to Use a Direct Path Load .....	11-7
Integrity Constraints.....	11-7
Field Defaults on the Direct Path.....	11-7
Loading into Synonyms .....	11-7
<b>Using Direct Path Load .....</b>	<b>11-8</b>
Setting Up for Direct Path Loads .....	11-8
Specifying a Direct Path Load .....	11-8
Building Indexes.....	11-8
Improving Performance.....	11-8
Temporary Segment Storage Requirements .....	11-9
Indexes Left in an Unusable State.....	11-9
Using Data Saves to Protect Against Data Loss.....	11-10
Using the ROWS Parameter .....	11-10
Data Save Versus Commit.....	11-10
Data Recovery During Direct Path Loads .....	11-10
Media Recovery and Direct Path Loads .....	11-11
Instance Recovery and Direct Path Loads.....	11-11
Loading Long Data Fields.....	11-11
Loading Data As PIECED.....	11-11
<b>Optimizing Performance of Direct Path Loads .....</b>	<b>11-12</b>
Preallocating Storage for Faster Loading.....	11-12
Presorting Data for Faster Indexing .....	11-13
SORTED INDEXES Clause .....	11-13
Unsorted Data.....	11-13
Multiple-Column Indexes.....	11-13
Choosing the Best Sort Order.....	11-14
Infrequent Data Saves.....	11-14
Minimizing Use of the Redo Log .....	11-14
Disabling Archiving .....	11-14
Specifying the SQL*Loader UNRECOVERABLE Clause .....	11-15
Setting the SQL NOLOGGING Parameter.....	11-15
Specifying the Number of Column Array Rows and Size of Stream Buffers.....	11-15
Specifying a Value for the Date Cache.....	11-16
<b>Optimizing Direct Path Loads on Multiple-CPU Systems .....</b>	<b>11-17</b>
<b>Avoiding Index Maintenance.....</b>	<b>11-18</b>
<b>Direct Loads, Integrity Constraints, and Triggers.....</b>	<b>11-18</b>
Integrity Constraints.....	11-18
Enabled Constraints.....	11-18
Disabled Constraints .....	11-19
Reenable Constraints .....	11-19
Database Insert Triggers .....	11-20
Replacing Insert Triggers with Integrity Constraints.....	11-20
When Automatic Constraints Cannot Be Used .....	11-20
Preparation.....	11-21
Using an Update Trigger .....	11-21
Duplicating the Effects of Exception Conditions .....	11-21
Using a Stored Procedure .....	11-21

Permanently Disabled Triggers and Constraints .....	11-22
Increasing Performance with Concurrent Conventional Path Loads.....	11-22
<b>Parallel Data Loading Models</b> .....	11-23
Concurrent Conventional Path Loads.....	11-23
Intersegment Concurrency with Direct Path .....	11-23
Intrasegment Concurrency with Direct Path .....	11-23
Restrictions on Parallel Direct Path Loads .....	11-23
Initiating Multiple SQL*Loader Sessions .....	11-24
Parameters for Parallel Direct Path Loads.....	11-24
Using the FILE Parameter to Specify Temporary Segments .....	11-24
Enabling Constraints After a Parallel Direct Path Load.....	11-25
PRIMARY KEY and UNIQUE KEY Constraints .....	11-26
<b>General Performance Improvement Hints</b> .....	11-26

## Part III External Tables

### 12 External Tables Concepts

<b>How Are External Tables Created?</b> .....	12-1
Access Parameters.....	12-2
Location of Datafiles and Output Files .....	12-3
Example: Creating and Loading an External Table Using ORACLE_LOADER .....	12-4
<b>Using External Tables to Load and Unload Data</b> .....	12-5
Loading Data .....	12-5
Unloading Data Using the ORACLE_DATAPUMP Access Driver.....	12-6
Dealing with Column Objects .....	12-6
<b>Datatype Conversion During External Table Use</b> .....	12-6
<b>Parallel Access to External Tables</b> .....	12-7
Parallel Access with ORACLE_LOADER.....	12-7
Parallel Access with ORACLE_DATAPUMP .....	12-8
<b>Performance Hints When Using External Tables</b> .....	12-8
Performance Hints Specific to the ORACLE_LOADER Access Driver .....	12-8
<b>External Table Restrictions</b> .....	12-9
Restrictions Specific to the ORACLE_DATAPUMP Access Driver .....	12-10
<b>Behavior Differences Between SQL*Loader and External Tables</b> .....	12-10
Multiple Primary Input Datafiles .....	12-10
Syntax and Datatypes .....	12-10
Byte-Order Marks.....	12-11
Default Character Sets, Date Masks, and Decimal Separator .....	12-11
Use of the Backslash Escape Character .....	12-11

### 13 The ORACLE\_LOADER Access Driver

<b>access_parameters Clause</b> .....	13-2
<b>record_format_info Clause</b> .....	13-3
FIXED length.....	13-4
VARIABLE size .....	13-5
DELIMITED BY .....	13-5

CHARACTERSET .....	13-6
LANGUAGE .....	13-6
TERRITORIES .....	13-6
DATA IS..ENDIAN .....	13-7
BYTEORDERMARK (CHECK   NOCHECK) .....	13-7
STRING SIZES ARE IN .....	13-8
LOAD WHEN .....	13-8
BADFILE   NOBADFILE .....	13-8
DISCARDFILE   NODISCARDFILE .....	13-9
LOG FILE   NOLOGFILE .....	13-9
SKIP .....	13-9
READSIZE .....	13-9
DISABLE_DIRECTORY_LINK_CHECK .....	13-9
DATE_CACHE .....	13-10
string .....	13-10
condition_spec .....	13-10
[directory object name:] filename .....	13-11
condition .....	13-12
range start : range end .....	13-12
<b>field_definitions Clause</b> .....	13-12
delim_spec .....	13-14
Example: External Table with Terminating Delimiters .....	13-15
Example: External Table with Enclosure and Terminator Delimiters .....	13-15
Example: External Table with Optional Enclosure Delimiters .....	13-15
trim_spec .....	13-16
MISSING FIELD VALUES ARE NULL .....	13-17
field_list .....	13-17
pos_spec Clause .....	13-18
start .....	13-18
* .....	13-19
increment .....	13-19
end .....	13-19
length .....	13-19
datatype_spec Clause .....	13-19
[UNSIGNED] INTEGER [EXTERNAL] [(len)] .....	13-20
DECIMAL [EXTERNAL] and ZONED [EXTERNAL] .....	13-21
ORACLE_DATE .....	13-21
ORACLE_NUMBER .....	13-21
Floating-Point Numbers .....	13-21
DOUBLE .....	13-22
FLOAT [EXTERNAL] .....	13-22
BINARY_DOUBLE .....	13-22
BINARY_FLOAT .....	13-22
RAW .....	13-22
CHAR .....	13-22
date_format_spec .....	13-23
VARCHAR and VARRAW .....	13-25



VARCHARC and VARRAWC .....	13-26
init_spec Clause .....	13-26
<b>column_transforms Clause</b> .....	13-27
transform .....	13-27
column_name .....	13-28
NULL .....	13-28
CONSTANT .....	13-28
CONCAT .....	13-28
LOBFILE .....	13-28
lobfile_attr_list .....	13-28
<b>Reserved Words for the ORACLE_LOADER Access Driver</b> .....	13-29

## 14 The ORACLE\_DATAPUMP Access Driver

<b>access_parameters Clause</b> .....	14-1
comments .....	14-2
COMPRESSION .....	14-2
ENCRYPTION .....	14-2
LOGFILE   NOLOGFILE .....	14-3
Filenames for LOGFILE .....	14-4
VERSION Clause .....	14-4
Effects of Using the SQL ENCRYPT Clause .....	14-4
<b>Unloading and Loading Data with the ORACLE_DATAPUMP Access Driver</b> .....	14-5
Parallel Loading and Unloading .....	14-8
Combining Dump Files .....	14-8
<b>Supported Datatypes</b> .....	14-9
<b>Unsupported Datatypes</b> .....	14-10
Unloading and Loading BFILE Datatypes .....	14-10
Unloading LONG and LONG RAW Datatypes .....	14-12
Unloading and Loading Columns Containing Final Object Types .....	14-13
Tables of Final Object Types .....	14-14
<b>Reserved Words for the ORACLE_DATAPUMP Access Driver</b> .....	14-15

## Part IV Other Utilities

### 15 ADRCI: ADR Command Interpreter

<b>About the ADR Command Interpreter (ADRCI)</b> .....	15-1
<b>Definitions</b> .....	15-2
<b>Starting ADRCI and Getting Help</b> .....	15-4
Using ADRCI in Interactive Mode .....	15-4
Getting Help .....	15-5
Using ADRCI in Batch Mode .....	15-6
<b>Setting the ADRCI Homepath Before Using ADRCI Commands</b> .....	15-6
<b>Viewing the Alert Log</b> .....	15-8
<b>Finding Trace Files</b> .....	15-9
<b>Viewing Incidents</b> .....	15-10
<b>Packaging Incidents</b> .....	15-10

About Packaging Incidents.....	15-10
Creating Incident Packages .....	15-11
Creating a Logical Incident Package.....	15-12
Adding Diagnostic Information to a Logical Incident Package.....	15-13
Generating a Physical Incident Package.....	15-14
<b>ADRCI Command Reference.....</b>	<b>15-14</b>
CREATE REPORT .....	15-15
ECHO.....	15-16
EXIT.....	15-16
HOST.....	15-17
IPS.....	15-17
Using the <ADR_HOME> and <ADR_BASE> Variables in IPS Commands.....	15-18
IPS ADD .....	15-18
IPS ADD FILE .....	15-19
IPS ADD NEW INCIDENTS .....	15-20
IPS COPY IN FILE .....	15-20
IPS COPY OUT FILE .....	15-21
IPS CREATE PACKAGE.....	15-21
IPS DELETE PACKAGE .....	15-23
IPS FINALIZE.....	15-23
IPS GENERATE PACKAGE.....	15-23
IPS GET MANIFEST .....	15-24
IPS GET METADATA .....	15-24
IPS PACK .....	15-25
IPS REMOVE .....	15-26
IPS REMOVE FILE.....	15-27
IPS SET CONFIGURATION.....	15-28
IPS SHOW CONFIGURATION .....	15-28
IPS SHOW FILES .....	15-31
IPS SHOW INCIDENTS.....	15-32
IPS UNPACK FILE .....	15-33
PURGE .....	15-33
QUIT.....	15-34
RUN.....	15-34
SET BASE.....	15-35
SET BROWSER .....	15-35
SET CONTROL.....	15-36
SET ECHO .....	15-36
SET EDITOR.....	15-36
SET HOMEPATH.....	15-37
SET TERMOUT.....	15-37
SHOW ALERT .....	15-37
SHOW BASE.....	15-40
SHOW CONTROL .....	15-40
SHOW HM_RUN.....	15-40
SHOW HOMEPATH.....	15-41
SHOW HOMES .....	15-42

SHOW INCDIR .....	15-42
SHOW INCIDENT .....	15-43
SHOW PROBLEM.....	15-46
SHOW REPORT .....	15-47
SHOW TRACEFILE .....	15-48
SPOOL .....	15-48
<b>Troubleshooting ADRCI.....</b>	<b>15-49</b>
<b>16 DBVERIFY: Offline Database Verification Utility</b>	
<b>Using DBVERIFY to Validate Disk Blocks of a Single Datafile .....</b>	<b>16-1</b>
Syntax.....	16-1
Parameters.....	16-2
Sample DBVERIFY Output For a Single Datafile .....	16-2
<b>Using DBVERIFY to Validate a Segment .....</b>	<b>16-3</b>
Syntax.....	16-3
Parameters.....	16-4
Sample DBVERIFY Output For a Validated Segment .....	16-4
<b>17 DBNEWID Utility</b>	
<b>What Is the DBNEWID Utility?.....</b>	<b>17-1</b>
<b>Ramifications of Changing the DBID and DBNAME .....</b>	<b>17-1</b>
Considerations for Global Database Names .....	17-2
<b>Changing the DBID and DBNAME of a Database.....</b>	<b>17-2</b>
Changing the DBID and Database Name .....	17-2
Changing Only the Database ID .....	17-5
Changing Only the Database Name .....	17-5
Troubleshooting DBNEWID.....	17-7
<b>DBNEWID Syntax.....</b>	<b>17-8</b>
Parameters.....	17-8
Restrictions and Usage Notes.....	17-9
Additional Restrictions for Releases Prior to Oracle Database 10g .....	17-10
<b>18 Using LogMiner to Analyze Redo Log Files</b>	
<b>LogMiner Benefits.....</b>	<b>18-1</b>
<b>Introduction to LogMiner.....</b>	<b>18-2</b>
LogMiner Configuration .....	18-2
Sample Configuration .....	18-3
Requirements.....	18-3
Directing LogMiner Operations and Retrieving Data of Interest .....	18-4
<b>LogMiner Dictionary Files and Redo Log Files .....</b>	<b>18-5</b>
LogMiner Dictionary Options .....	18-5
Using the Online Catalog.....	18-6
Extracting a LogMiner Dictionary to the Redo Log Files.....	18-7
Extracting the LogMiner Dictionary to a Flat File .....	18-8
Redo Log File Options.....	18-8
<b>Starting LogMiner .....</b>	<b>18-10</b>

<b>Querying V\$LOGMNR_CONTENTS for Redo Data of Interest .....</b>	<b>18-10</b>
How the V\$LOGMNR_CONTENTS View Is Populated .....	18-12
Querying V\$LOGMNR_CONTENTS Based on Column Values.....	18-13
The Meaning of NULL Values Returned by the MINE_VALUE Function.....	18-14
Usage Rules for the MINE_VALUE and COLUMN_PRESENT Functions .....	18-14
Querying V\$LOGMNR_CONTENTS Based on XMLType Columns and Tables.....	18-14
Restrictions When Using LogMiner With XMLType Data.....	18-17
Example of a PL/SQL Procedure for Assembling XMLType Data.....	18-17
<b>Filtering and Formatting Data Returned to V\$LOGMNR_CONTENTS .....</b>	<b>18-19</b>
Showing Only Committed Transactions .....	18-20
Skipping Redo Corruptions.....	18-22
Filtering Data by Time.....	18-23
Filtering Data by SCN.....	18-23
Formatting Reconstructed SQL Statements for Re-execution .....	18-24
Formatting the Appearance of Returned Data for Readability .....	18-24
<b>Reapplying DDL Statements Returned to V\$LOGMNR_CONTENTS .....</b>	<b>18-25</b>
<b>Calling DBMS_LOGMNR.START_LOGMNR Multiple Times.....</b>	<b>18-25</b>
<b>Supplemental Logging.....</b>	<b>18-26</b>
Database-Level Supplemental Logging .....	18-27
Minimal Supplemental Logging.....	18-27
Database-Level Identification Key Logging.....	18-27
Disabling Database-Level Supplemental Logging.....	18-29
Table-Level Supplemental Logging .....	18-29
Table-Level Identification Key Logging .....	18-29
Table-Level User-Defined Supplemental Log Groups .....	18-30
Usage Notes for User-Defined Supplemental Log Groups .....	18-31
Tracking DDL Statements in the LogMiner Dictionary .....	18-31
DDL_DICT_TRACKING and Supplemental Logging Settings .....	18-32
DDL_DICT_TRACKING and Specified Time or SCN Ranges .....	18-33
<b>Accessing LogMiner Operational Information in Views .....</b>	<b>18-34</b>
Querying V\$LOGMNR_LOGS.....	18-35
Querying Views for Supplemental Logging Settings .....	18-36
<b>Steps in a Typical LogMiner Session .....</b>	<b>18-37</b>
Enable Supplemental Logging .....	18-38
Extract a LogMiner Dictionary.....	18-38
Specify Redo Log Files for Analysis .....	18-38
Start LogMiner.....	18-39
Query V\$LOGMNR_CONTENTS.....	18-40
End the LogMiner Session .....	18-40
<b>Examples Using LogMiner .....</b>	<b>18-41</b>
Examples of Mining by Explicitly Specifying the Redo Log Files of Interest .....	18-41
Example 1: Finding All Modifications in the Last Archived Redo Log File.....	18-41
Example 2: Grouping DML Statements into Committed Transactions .....	18-44
Example 3: Formatting the Reconstructed SQL.....	18-45
Example 4: Using the LogMiner Dictionary in the Redo Log Files .....	18-48
Example 5: Tracking DDL Statements in the Internal Dictionary .....	18-56
Example 6: Filtering Output by Time Range .....	18-59

Examples of Mining Without Specifying the List of Redo Log Files Explicitly .....	18-61
Example 1: Mining Redo Log Files in a Given Time Range .....	18-61
Example 2: Mining the Redo Log Files in a Given SCN Range.....	18-64
Example 3: Using Continuous Mining to Include Future Values in a Query .....	18-65
Example Scenarios .....	18-66
Scenario 1: Using LogMiner to Track Changes Made by a Specific User.....	18-66
Scenario 2: Using LogMiner to Calculate Table Access Statistics.....	18-67
<b>Supported Datatypes, Storage Attributes, and Database and Redo Log File Versions .....</b>	<b>18-68</b>
Supported Datatypes and Table Storage Attributes .....	18-68
Unsupported Datatypes and Table Storage Attributes .....	18-69
Supported Databases and Redo Log File Versions .....	18-69

## 19 Using the Metadata API

<b>Why Use the Metadata API?</b> .....	19-1
<b>Overview of the Metadata API</b> .....	19-2
<b>Using the Metadata API to Retrieve an Object's Metadata</b> .....	19-2
Typical Steps Used for Basic Metadata Retrieval .....	19-3
Retrieving Multiple Objects.....	19-4
Placing Conditions on Transforms .....	19-5
Accessing Specific Metadata Attributes.....	19-7
<b>Using the Metadata API to Re-Create a Retrieved Object</b> .....	19-9
<b>Retrieving Collections of Different Object Types</b> .....	19-12
Filtering the Return of Heterogeneous Object Types .....	19-13
<b>Performance Tips for the Programmatic Interface of the Metadata API</b> .....	19-14
<b>Example Usage of the Metadata API</b> .....	19-15
What Does the Metadata API Example Do? .....	19-16
Output Generated from the GET_PAYROLL_TABLES Procedure .....	19-18
<b>Summary of DBMS_METADATA Procedures</b> .....	19-19

## 20 Original Export and Import

<b>What Are the Export and Import Utilities?</b> .....	20-2
<b>Before Using Export and Import</b> .....	20-3
Running catexp.sql or catalog.sql .....	20-3
Ensuring Sufficient Disk Space for Export Operations .....	20-3
Verifying Access Privileges for Export and Import Operations .....	20-4
<b>Invoking Export and Import</b> .....	20-4
Invoking Export and Import As SYSDBA .....	20-4
Command-Line Entries .....	20-4
Parameter Files .....	20-5
Interactive Mode .....	20-6
Restrictions When Using Export's Interactive Method .....	20-6
Getting Online Help.....	20-6
<b>Importing Objects into Your Own Schema</b> .....	20-6
Importing Grants.....	20-7
Importing Objects into Other Schemas .....	20-8
Importing System Objects.....	20-8
Processing Restrictions .....	20-8

<b>Table Objects: Order of Import</b> .....	20-9
<b>Importing into Existing Tables</b> .....	20-9
Manually Creating Tables Before Importing Data .....	20-9
Disabling Referential Constraints.....	20-10
Manually Ordering the Import .....	20-10
<b>Effect of Schema and Database Triggers on Import Operations</b> .....	20-10
<b>Export and Import Modes</b> .....	20-11
Table-Level and Partition-Level Export.....	20-14
Table-Level Export.....	20-14
Partition-Level Export .....	20-14
Table-Level and Partition-Level Import .....	20-14
Guidelines for Using Table-Level Import .....	20-15
Guidelines for Using Partition-Level Import.....	20-15
Migrating Data Across Partitions and Tables.....	20-16
<b>Export Parameters</b> .....	20-16
BUFFER.....	20-16
Example: Calculating Buffer Size .....	20-16
COMPRESS .....	20-17
CONSISTENT .....	20-17
CONSTRAINTS.....	20-19
DIRECT .....	20-19
FEEDBACK .....	20-19
FILE .....	20-19
FILESIZE.....	20-19
FLASHBACK_SCN .....	20-20
FLASHBACK_TIME .....	20-21
FULL .....	20-21
Points to Consider for Full Database Exports and Imports .....	20-21
GRANTS.....	20-22
HELP .....	20-22
INDEXES .....	20-22
LOG .....	20-22
OBJECT_CONSISTENT.....	20-22
OWNER.....	20-23
PARFILE.....	20-23
QUERY.....	20-23
Restrictions When Using the QUERY Parameter.....	20-24
RECORDLENGTH.....	20-24
RESUMABLE .....	20-24
RESUMABLE_NAME .....	20-25
RESUMABLE_TIMEOUT .....	20-25
ROWS.....	20-25
STATISTICS .....	20-25
TABLES.....	20-26
Table Name Restrictions .....	20-26
TABLESPACES.....	20-27
TRANSPORT_TABLESPACE.....	20-27

TRIGGERS.....	20-28
TTS_FULL_CHECK.....	20-28
USERID (username/password).....	20-28
VOLSIZE.....	20-28
<b>Import Parameters</b> .....	20-29
BUFFER.....	20-29
COMMIT.....	20-29
COMPILE.....	20-29
CONSTRAINTS.....	20-30
DATAFILES.....	20-30
DESTROY.....	20-30
FEEDBACK.....	20-30
FILE.....	20-30
FILESIZE.....	20-31
FROMUSER.....	20-31
FULL.....	20-32
GRANTS.....	20-32
HELP.....	20-32
IGNORE.....	20-32
INDEXES.....	20-33
INDEXFILE.....	20-33
LOG.....	20-34
PARFILE.....	20-34
RECORDLENGTH.....	20-34
RESUMABLE.....	20-34
RESUMABLE_NAME.....	20-34
RESUMABLE_TIMEOUT.....	20-35
ROWS.....	20-35
SHOW.....	20-35
SKIP_UNUSABLE_INDEXES.....	20-35
STATISTICS.....	20-36
STREAMS_CONFIGURATION.....	20-36
STREAMS_INSTANTIATION.....	20-36
TABLES.....	20-37
Table Name Restrictions.....	20-38
TABLESPACES.....	20-39
TOID_NOVALIDATE.....	20-39
TOUSER.....	20-40
TRANSPORT_TABLESPACE.....	20-40
TTS_OWNERS.....	20-40
USERID (username/password).....	20-41
VOLSIZE.....	20-41
<b>Example Export Sessions</b> .....	20-41
Example Export Session in Full Database Mode.....	20-41
Example Export Session in User Mode.....	20-42
Example Export Sessions in Table Mode.....	20-42
Example 1: DBA Exporting Tables for Two Users.....	20-43

Example 2: User Exports Tables That He Owns.....	20-43
Example 3: Using Pattern Matching to Export Various Tables.....	20-44
Example Export Session Using Partition-Level Export.....	20-45
Example 1: Exporting a Table Without Specifying a Partition.....	20-45
Example 2: Exporting a Table with a Specified Partition.....	20-45
Example 3: Exporting a Composite Partition.....	20-46
<b>Example Import Sessions</b> .....	20-46
Example Import of Selected Tables for a Specific User .....	20-47
Example Import of Tables Exported by Another User .....	20-47
Example Import of Tables from One User to Another .....	20-48
Example Import Session Using Partition-Level Import .....	20-48
Example 1: A Partition-Level Import .....	20-48
Example 2: A Partition-Level Import of a Composite Partitioned Table .....	20-49
Example 3: Repartitioning a Table on a Different Column.....	20-50
Example Import Using Pattern Matching to Import Various Tables .....	20-51
<b>Using Export and Import to Move a Database Between Platforms</b> .....	20-52
<b>Warning, Error, and Completion Messages</b> .....	20-53
Log File .....	20-53
Warning Messages .....	20-53
Nonrecoverable Error Messages .....	20-53
Completion Messages.....	20-53
<b>Exit Codes for Inspection and Display</b> .....	20-53
<b>Network Considerations</b> .....	20-54
Transporting Export Files Across a Network .....	20-54
Exporting and Importing with Oracle Net.....	20-54
<b>Character Set and Globalization Support Considerations</b> .....	20-54
User Data .....	20-55
Effect of Character Set Sorting Order on Conversions .....	20-55
Data Definition Language (DDL) .....	20-55
Single-Byte Character Sets and Export and Import .....	20-56
Multibyte Character Sets and Export and Import .....	20-56
<b>Materialized Views and Snapshots</b> .....	20-56
Snapshot Log .....	20-56
Snapshots.....	20-57
Importing a Snapshot.....	20-57
Importing a Snapshot into a Different Schema .....	20-57
<b>Transportable Tablespaces</b> .....	20-57
<b>Read-Only Tablespaces</b> .....	20-58
<b>Dropping a Tablespace</b> .....	20-58
<b>Reorganizing Tablespaces</b> .....	20-58
<b>Support for Fine-Grained Access Control</b> .....	20-59
<b>Using Instance Affinity with Export and Import</b> .....	20-59
<b>Reducing Database Fragmentation</b> .....	20-60
<b>Using Storage Parameters with Export and Import</b> .....	20-60
The OPTIMAL Parameter .....	20-60
Storage Parameters for OID Indexes and LOB Columns .....	20-60
Overriding Storage Parameters.....	20-61



The Export COMPRESS Parameter .....	20-61
<b>Information Specific to Export</b> .....	20-61
Conventional Path Export Versus Direct Path Export.....	20-61
Invoking a Direct Path Export.....	20-61
Security Considerations for Direct Path Exports.....	20-62
Performance Considerations for Direct Path Exports .....	20-62
Restrictions for Direct Path Exports .....	20-62
Exporting from a Read-Only Database .....	20-63
Considerations When Exporting Database Objects .....	20-63
Exporting Sequences .....	20-63
Exporting LONG and LOB Datatypes .....	20-63
Exporting Foreign Function Libraries.....	20-64
Exporting Offline Locally Managed Tablespaces.....	20-64
Exporting Directory Aliases .....	20-64
Exporting BFILE Columns and Attributes.....	20-64
Exporting External Tables.....	20-64
Exporting Object Type Definitions.....	20-64
Exporting Nested Tables.....	20-65
Exporting Advanced Queue (AQ) Tables .....	20-65
Exporting Synonyms .....	20-65
Possible Export Errors Related to Java Synonyms.....	20-65
<b>Information Specific to Import</b> .....	20-66
Error Handling During an Import Operation.....	20-66
Row Errors .....	20-66
Errors Importing Database Objects .....	20-66
Controlling Index Creation and Maintenance .....	20-67
Delaying Index Creation .....	20-67
Index Creation and Maintenance Controls .....	20-68
Importing Statistics .....	20-68
Tuning Considerations for Import Operations.....	20-69
Changing System-Level Options .....	20-69
Changing Initialization Parameters .....	20-70
Changing Import Options .....	20-70
Dealing with Large Amounts of LOB Data.....	20-71
Dealing with Large Amounts of LONG Data.....	20-71
Considerations When Importing Database Objects .....	20-71
Importing Object Identifiers.....	20-71
Importing Existing Object Tables and Tables That Contain Object Types.....	20-72
Importing Nested Tables .....	20-73
Importing REF Data.....	20-73
Importing BFILE Columns and Directory Aliases .....	20-73
Importing Foreign Function Libraries .....	20-74
Importing Stored Procedures, Functions, and Packages .....	20-74
Importing Java Objects.....	20-74
Importing External Tables .....	20-74
Importing Advanced Queue (AQ) Tables .....	20-74
Importing LONG Columns .....	20-74

Importing LOB Columns When Triggers Are Present .....	20-75
Importing Views .....	20-75
Importing Partitioned Tables .....	20-76
<b>Using Export and Import to Partition a Database Migration.....</b>	<b>20-76</b>
Advantages of Partitioning a Migration .....	20-76
Disadvantages of Partitioning a Migration .....	20-76
How to Use Export and Import to Partition a Database Migration .....	20-76
<b>Using Different Releases and Versions of Export.....</b>	<b>20-77</b>
Restrictions When Using Different Releases and Versions of Export and Import .....	20-77
Examples of Using Different Releases of Export and Import .....	20-77
Creating Oracle Release 8.0 Export Files from an Oracle9i Database .....	20-78

## **21 Enterprise Manager Configuration Assistant (EMCA)**

Configuring Database Control with EMCA .....	21-1
Configuring Software Library With EMCA.....	21-6
Using an Input File for EMCA Parameters .....	21-6
Using EMCA With Oracle Real Application Clusters .....	21-7
Specifying the Ports Used by EMCA.....	21-9
<b>EMCA Troubleshooting Tips .....</b>	<b>21-10</b>
Using EMCA After Changing the Database Listener Port.....	21-10
Upgrading Database or ASM Instances With 11g Release 1 Grid Control Agents .....	21-10
Using EMCA When Database Host Name or IP Address Changes .....	21-10
Using EMCA When the TNS Configuration Is Changed.....	21-11

## **Part V Appendixes**

### **A SQL\*Loader Syntax Diagrams**

#### **Index**

## List of Examples

2-1	Performing a Table-Mode Export.....	2-46
2-2	Data-Only Unload of Selected Tables and Rows .....	2-46
2-3	Estimating Disk Space Needed in a Table-Mode Export .....	2-46
2-4	Performing a Schema Mode Export .....	2-47
2-5	Parallel Full Export .....	2-47
2-6	Stopping and Reattaching to a Job .....	2-47
3-1	Performing a Data-Only Table-Mode Import.....	3-48
3-2	Performing a Schema-Mode Import.....	3-48
3-3	Network-Mode Import of Schemas.....	3-49
5-1	Performing a Simple Schema Export .....	5-4
5-2	Importing a Dump File and Remapping All Schema Objects .....	5-6
5-3	Using Exception Handling During a Simple Schema Export.....	5-7
6-1	Loading Data in Fixed Record Format.....	6-4
6-2	Loading Data in Variable Record Format .....	6-5
6-3	Loading Data in Stream Record Format.....	6-6
8-1	Sample Control File .....	8-2
8-2	Identifying XMLType Tables in the SQL*Loader Control File .....	8-5
8-3	CONTINUEIF THIS Without the PRESERVE Parameter .....	8-23
8-4	CONTINUEIF THIS with the PRESERVE Parameter .....	8-23
8-5	CONTINUEIF NEXT Without the PRESERVE Parameter .....	8-23
8-6	CONTINUEIF NEXT with the PRESERVE Parameter .....	8-24
9-1	Field List Section of Sample Control File .....	9-1
9-2	DEFAULTIF Clause Is Not Evaluated .....	9-27
9-3	DEFAULTIF Clause Is Evaluated .....	9-27
9-4	DEFAULTIF Clause Specifies a Position .....	9-28
9-5	DEFAULTIF Clause Specifies a Field Name.....	9-28
10-1	Loading Column Objects in Stream Record Format.....	10-2
10-2	Loading Column Objects in Variable Record Format .....	10-2
10-3	Loading Nested Column Objects.....	10-3
10-4	Loading Column Objects with a Subtype.....	10-3
10-5	Specifying Attribute Nulls Using the NULLIF Clause.....	10-4
10-6	Loading Data Using Filler Fields.....	10-5
10-7	Loading a Column Object with Constructors That Match.....	10-6
10-8	Loading a Column Object with Constructors That Do Not Match.....	10-7
10-9	Using SQL to Load Column Objects When Constructors Do Not Match.....	10-8
10-10	Loading an Object Table with Primary Key OIDs .....	10-9
10-11	Loading OIDs .....	10-9
10-12	Loading an Object Table with a Subtype.....	10-10
10-13	Loading System-Generated REF Columns.....	10-12
10-14	Loading Primary Key REF Columns.....	10-12
10-15	Loading LOB Data in Predetermined Size Fields.....	10-15
10-16	Loading LOB Data in Delimited Fields .....	10-16
10-17	Loading LOB Data in Length-Value Pair Fields.....	10-16
10-18	Loading LOB DATA with One LOB per LOBFILE .....	10-18
10-19	Loading LOB Data Using Predetermined Size LOBs .....	10-19
10-20	Loading LOB Data Using Delimited LOBs .....	10-19
10-21	Loading LOB Data Using Length-Value Pair Specified LOBs .....	10-20
10-22	Loading Data Using BFILES: Only Filename Specified Dynamically .....	10-22
10-23	Loading Data Using BFILES: Filename and Directory Specified Dynamically .....	10-22
10-24	Loading a VARRAY and a Nested Table .....	10-23
10-25	Loading a Parent Table with User-Provided SIDs .....	10-26
10-26	Loading a Child Table with User-Provided SIDs.....	10-26
11-1	Setting the Date Format in the SQL*Loader Control File.....	11-4
11-2	Setting an NLS_DATE_FORMAT Environment Variable .....	11-4

19-1	Using the DBMS_METADATA Programmatic Interface to Retrieve Data .....	19-3
19-2	Using the DBMS_METADATA Browsing Interface to Retrieve Data .....	19-4
19-3	Retrieving Multiple Objects.....	19-5
19-4	Placing Conditions on Transforms.....	19-6
19-5	Modifying an XML Document.....	19-7
19-6	Using Parse Items to Access Specific Metadata Attributes.....	19-8
19-7	Using the Submit Interface to Re-Create a Retrieved Object.....	19-10
19-8	Retrieving Heterogeneous Object Types .....	19-12
19-9	Filtering the Return of Heterogeneous Object Types .....	19-13
21-1	Sample EMCA Input File.....	21-7

## List of Figures

6-1	SQL*Loader Overview .....	6-2
9-1	Example of Field Conversion .....	9-34
9-2	Relative Positioning After a Fixed Field .....	9-37
9-3	Relative Positioning After a Delimited Field .....	9-37
9-4	Relative Positioning After Enclosure Delimiters .....	9-37
9-5	Fields Terminated by Whitespace .....	9-38
9-6	Fields Terminated by Optional Enclosure Delimiters .....	9-38
11-1	Database Writes on SQL*Loader Direct Path and Conventional Path.....	11-2
18-1	Sample LogMiner Database Configuration .....	18-3
18-2	Decision Tree for Choosing a LogMiner Dictionary .....	18-6

## List of Tables

2-1	Original Export Parameters and Their Counterparts in Data Pump Export .....	2-39
2-2	Supported Activities in Data Pump Export's Interactive-Command Mode .....	2-41
3-1	Valid Object Types For the Data Pump Export TRANSFORM Parameter .....	3-37
3-2	Original Import Parameters and Their Counterparts in Data Pump Import.....	3-42
3-3	Supported Activities in Data Pump Import's Interactive-Command Mode.....	3-44
5-1	Valid Job States in Which DBMS_DATAPUMP Procedures Can Be Executed .....	5-2
6-1	Case Studies and Their Related Files .....	6-13
7-1	Exit Codes for SQL*Loader.....	7-12
8-1	Parameters for the INFILE Keyword .....	8-7
8-2	Parameters for the CONTINUEIF Clause .....	8-22
8-3	Fixed-Length Fields .....	8-36
8-4	Nongraphic Fields.....	8-37
8-5	Graphic Fields.....	8-37
8-6	Variable-Length Fields .....	8-37
9-1	Parameters for the Position Specification Clause.....	9-2
9-2	Datatype Conversions for Datetime and Interval Datatypes .....	9-19
9-3	Parameters Used for Specifying Delimiters .....	9-20
9-4	Parameters for the Field Condition Clause .....	9-24
9-5	Behavior Summary for Trimming Whitespace.....	9-35
9-6	Parameters Used for Column Specification .....	9-46
15-1	ADRCI Command Line Parameters for Batch Operation.....	15-6
15-2	List of ADRCI commands.....	15-14
15-3	IPS Command Set .....	15-17
15-4	Arguments of IPS ADD command .....	15-19
15-5	Arguments of IPS CREATE command .....	15-22
15-6	Arguments of IPS PACK command .....	15-25
15-7	Arguments of IPS REMOVE command.....	15-27
15-8	IPS Configuration Parameters.....	15-30
15-9	Flags for the PURGE command .....	15-34
15-10	Flags for the SHOW ALERT command .....	15-38
15-11	Alert Fields for SHOW ALERT .....	15-38
15-12	Fields for Health Monitor Runs .....	15-41
15-13	Flags for SHOW INCIDENT command.....	15-43
15-14	Incident Fields for SHOW INCIDENT .....	15-44
15-15	Flags for SHOW PROBLEM command .....	15-46
15-16	Problem Fields for SHOW PROBLEM.....	15-47
15-17	Arguments for SHOW TRACEFILE Command .....	15-48
15-18	Flags for SHOW TRACEFILE Command.....	15-48
17-1	Parameters for the DBNEWID Utility .....	17-9
19-1	DBMS_METADATA Procedures Used for Retrieving Multiple Objects .....	19-19
19-2	DBMS_METADATA Procedures Used for the Browsing Interface .....	19-20
19-3	DBMS_METADATA Procedures and Functions for Submitting XML Data .....	19-20
20-1	Privileges Required to Import Objects into Your Own Schema.....	20-6
20-2	Privileges Required to Import Grants.....	20-7
20-3	Objects Exported and Imported in Each Mode .....	20-12
20-4	Sequence of Events During Updates by Two Users .....	20-18
20-5	Maximum Size for Dump Files .....	20-20
20-6	Exit Codes for Export and Import .....	20-54
20-7	Using Different Releases of Export and Import .....	20-77
21-1	EMCA Command-Line Operations.....	21-2
21-2	EMCA Command-Line Flags.....	21-4
21-3	EMCA Command-Line Parameters .....	21-5

---

---

# Preface

This document describes how to use the Oracle Database utilities for data transfer, data maintenance, and database administration. The preface contains these topics:

- [Audience](#)
- [Documentation Accessibility](#)
- [Related Documentation](#)
- [Conventions](#)

## Audience

The utilities described in this book are intended for database administrators (DBAs), application programmers, security administrators, system operators, and other Oracle users who perform the following tasks:

- Archive data, back up an Oracle database, or move data between Oracle databases using the Export and Import utilities (both the original versions and the Data Pump versions)
- Load data into Oracle tables from operating system files using SQL\*Loader, or from external sources using the external tables feature
- Perform a physical data structure integrity check on an offline database, using the DBVERIFY utility
- Maintain the internal database identifier (DBID) and the database name (DBNAME) for an operational database, using the DBNEWID utility
- Extract and manipulate complete representations of the metadata for database objects, using the Metadata API
- Query and analyze redo log files (through a SQL interface), using the LogMiner utility

To use this manual, you need a working knowledge of SQL and of Oracle fundamentals. You can find such information in *Oracle Database Concepts*. In addition, to use SQL\*Loader, you must know how to use the file management facilities of your operating system.

## Documentation Accessibility

Our goal is to make Oracle products, services, and supporting documentation accessible, with good usability, to the disabled community. To that end, our documentation includes features that make information available to users of assistive

technology. This documentation is available in HTML format, and contains markup to facilitate access by the disabled community. Accessibility standards will continue to evolve over time, and Oracle is actively engaged with other market-leading technology vendors to address technical obstacles so that our documentation can be accessible to all of our customers. For more information, visit the Oracle Accessibility Program Web site at <http://www.oracle.com/accessibility/>.

### **Accessibility of Code Examples in Documentation**

Screen readers may not always correctly read the code examples in this document. The conventions for writing code require that closing braces should appear on an otherwise empty line; however, some screen readers may not always read a line of text that consists solely of a bracket or brace.

### **Accessibility of Links to External Web Sites in Documentation**

This documentation may contain links to Web sites of other companies or organizations that Oracle does not own or control. Oracle neither evaluates nor makes any representations regarding the accessibility of these Web sites.

### **TTY Access to Oracle Support Services**

Oracle provides dedicated Text Telephone (TTY) access to Oracle Support Services within the United States of America 24 hours a day, 7 days a week. For TTY support, call 800.446.2398. Outside the United States, call +1.407.458.2479.

## **Related Documentation**

For more information, see these Oracle resources:

The Oracle Database documentation set, especially:

- *Oracle Database Concepts*
- *Oracle Database SQL Language Reference*
- *Oracle Database Administrator's Guide*
- *Oracle Database PL/SQL Packages and Types Reference*

Some of the examples in this book use the sample schemas of the seed database, which is installed by default when you install Oracle Database. Refer to *Oracle Database Sample Schemas* for information about how these schemas were created and how you can use them yourself.

Oracle error message documentation is only available in HTML. If you only have access to the Oracle Database Documentation CD, you can browse the error messages by range. Once you find the specific range, use your browser's "find in page" feature to locate the specific message. When connected to the Internet, you can search for a specific error message using the error message search feature of the Oracle online documentation.

Printed documentation is available for sale in the Oracle Store at

<http://oraclestore.oracle.com/>

To download free release notes, installation documentation, white papers, or other collateral, please visit the Oracle Technology Network (OTN). You must register online before using OTN; registration is free and can be done at

<http://www.oracle.com/technology>



If you already have a username and password for OTN, then you can go directly to the documentation section of the OTN Web site at

<http://www.oracle.com/technology>

## Syntax Diagrams

Syntax descriptions are provided in this book for various SQL, PL/SQL, or other command-line constructs in graphic form or Backus Naur Form (BNF). See *Oracle Database SQL Language Reference* for information about how to interpret these descriptions.

## Conventions

The following text conventions are used in this document:

<b>Convention</b>	<b>Meaning</b>
<b>boldface</b>	Boldface type indicates graphical user interface elements associated with an action, or terms defined in text or the glossary.
<i>italic</i>	Italic type indicates book titles, emphasis, or placeholder variables for which you supply particular values.
monospace	Monospace type indicates commands within a paragraph, URLs, code in examples, text that appears on the screen, or text that you enter.



---

---

# What's New in Database Utilities?

This section describes new features of the Oracle Database 11g utilities, and provides pointers to additional information. For information about features that were introduced in earlier releases of Oracle Database, refer to the documentation for those releases.

## New Features in Oracle Database 11g Release 1

This section lists the major new features that have been added for Oracle Database 11g Release 1 (11.1).

### Data Pump Export and Data Pump Import

For the Data Pump Export and Data Pump Import products, new features have been added that allow you to do the following:

- Compress both data and metadata, only data, only metadata, or no data during an export. See [COMPRESSION](#) on page 2-9.
- Specify additional encryption options in the following areas:
  - You can choose to encrypt both data and metadata, only data, only metadata, no data, or only encrypted columns during an export. See [ENCRYPTION](#) on page 2-13.
  - You can specify a specific encryption algorithm to use during an export. See [ENCRYPTION\\_ALGORITHM](#) on page 2-13.
  - You can specify the type of security to use for performing encryption and decryption during an export. For example, perhaps the dump file set will be imported into a different or remote database and it must remain secure in transit. Or perhaps the dump file set will be imported onsite using the Oracle Encryption Wallet but it may also need to be imported offsite where the Oracle Encryption Wallet is not available. See [ENCRYPTION\\_MODE](#) on page 2-14.
- Perform table mode exports and imports using the transportable method. For information on using this feature during export, see the export [TRANSPORTABLE](#) parameter on page 2-37. For information on using this feature during import, see the import [TRANSPORTABLE](#) parameter on page 3-41.
- Specify how partitioned tables should be handled during import operations. See [PARTITION\\_OPTIONS](#) on page 3-23 for a description of using this parameter during an import.
- Overwrite existing dump files during an export operation. See [REUSE\\_DUMPFILES](#) on page 2-31.

- Rename tables during an import operation. See [REMAP\\_TABLE](#) on page 3-28.
- Specify that a data load should proceed even if non-deferred constraint violations are encountered. This is valid only for import operations that use the external tables access method. See the import [DATA\\_OPTIONS](#) parameter on page 3-9.
- Specify that XMLType columns are to be exported in uncompressed CLOB format regardless of the XMLType storage format that was defined for them. See the export [DATA\\_OPTIONS](#) parameter on page 2-10.
- During an export, specify a remap function that takes as a source the original value of the designated column and returns a remapped value that will replace the original value in the dump file. See the export [REMAP\\_DATA](#) parameter on page 2-30.
- During an import, remap data as it is being loaded into a new database. See the import [REMAP\\_DATA](#) parameter on page 3-25.
- Automatic restart of workers on the same instance.

Additionally, Data Pump will now perform a one-time automatic restart of workers (on the same instance) that have stopped due to certain errors. For example, if someone manually stops a process, the worker is automatically restarted one time, on the same instance. If the process stops a second time, it must be manually restarted.

### External Tables

For the External Tables functionality, the following new features have been added:

- Ability to compress data before it is written to the dump file set. See [COMPRESSION](#) on page 14-2.
- Ability to encrypt data before it is written to the dump file set. See [ENCRYPTION](#) on page 14-2.

### LogMiner Utility

LogMiner now provides the following additional support:

- The LogMiner utility now supports XMLType data when it is stored in CLOB format.

See [Supported Datatypes and Table Storage Attributes](#) on page 18-68.

### Automatic Diagnostic Repository Command Interpreter (ADRCI)

The Automatic Diagnostic Repository Command Interpreter (ADRCI) provides a way for you to work with the diagnostic data contained in the Automatic Diagnostic Repository (ADR). The ADR is a file-based repository for database diagnostic data, such as traces, dumps, the alert log, health monitor reports, and more. It has a unified directory structure across multiple instances and multiple products.

See [Chapter 15, "ADRCI: ADR Command Interpreter"](#) for more information.

### Enterprise Manager Configuration Assistant (EMCA)

The Enterprise Manager Configuration Assistant (EMCA) is now documented in this book. Prior to Oracle Database 11g Release 1, it was documented in *Oracle Enterprise Manager Advanced Configuration*. The EMCA provides a command-line interface for configuring Database Control.

See [Chapter 21, "Enterprise Manager Configuration Assistant \(EMCA\)"](#) for more information.

# Part I

---

## Oracle Data Pump

This part contains the following chapters:

- [Chapter 1, "Overview of Oracle Data Pump"](#)

This chapter provides an overview of Oracle Data Pump technology, which enables very high-speed movement of data and metadata from one database to another.

- [Chapter 2, "Data Pump Export"](#)

This chapter describes the Oracle Data Pump Export utility, which is used to unload data and metadata into a set of operating system files called a dump file set.

- [Chapter 3, "Data Pump Import"](#)

This chapter describes the Oracle Data Pump Import utility, which is used to load an export dump file set into a target system. It also describes how to perform a network import to load a target database directly from a source database with no intervening files.

- [Chapter 4, "Data Pump Performance"](#)

This chapter discusses why the performance of Data Pump Export and Import is better than that of original Export and Import. It also suggests specific steps you can take to enhance performance of export and import operations.

- [Chapter 5, "The Data Pump API"](#)

This chapter describes how the Data Pump API, `DBMS_DATAPUMP`, works.



---

---

# Overview of Oracle Data Pump

Oracle Data Pump technology enables very high-speed movement of data and metadata from one database to another.

This chapter discusses the following topics:

- [Data Pump Components](#)
- [How Does Data Pump Move Data?](#)
- [What Happens During Execution of a Data Pump Job?](#)
- [Monitoring Job Status](#)
- [File Allocation](#)
- [Moving Data Between Different Database Versions](#)

## Data Pump Components

Oracle Data Pump is made up of three distinct parts:

- The command-line clients, `expdp` and `impdp`
- The `DBMS_DATAPUMP` PL/SQL package (also known as the Data Pump API)
- The `DBMS_METADATA` PL/SQL package (also known as the Metadata API)

The Data Pump clients, `expdp` and `impdp`, invoke the Data Pump Export utility and Data Pump Import utility, respectively. They provide a user interface that closely resembles the original Export (`exp`) and Import (`imp`) utilities.

---

---

**Note:** Dump files generated by the Data Pump Export utility are not compatible with dump files generated by the original Export utility. Therefore, files generated by the original Export (`exp`) utility cannot be imported with the Data Pump Import (`impdp`) utility.

In most cases, Oracle recommends that you use the Data Pump Export and Import utilities. They provide enhanced data movement performance in comparison to the original Export and Import utilities.

See [Chapter 20, "Original Export and Import"](#) for information about situations in which you should still use the original Export and Import utilities.

---

---

The `expdp` and `impdp` clients use the procedures provided in the `DBMS_DATAPUMP` PL/SQL package to execute export and import commands, using the parameters

entered at the command-line. These parameters enable the exporting and importing of data and metadata for a complete database or for subsets of a database.

When metadata is moved, Data Pump uses functionality provided by the `DBMS_METADATA` PL/SQL package. The `DBMS_METADATA` package provides a centralized facility for the extraction, manipulation, and resubmission of dictionary metadata.

The `DBMS_DATAPUMP` and `DBMS_METADATA` PL/SQL packages can be used independently of the Data Pump clients.

---

---

**Note:** All Data Pump Export and Import processing, including the reading and writing of dump files, is done on the system (server) selected by the specified database connect string. **This means that, for nonprivileged users, the database administrator (DBA) must create directory objects for the Data Pump files that are read and written on that server file system.** For privileged users, a default directory object is available. See [Default Locations for Dump, Log, and SQL Files](#) on page 1-10 for more information about directory objects.

---

---

---

---

**Note:** Data Pump Export and Import are not supported on physical or logical standby databases except for initial table instantiation on a logical standby.

---

---

**See Also:** *Oracle Database PL/SQL Packages and Types Reference* for descriptions of the `DBMS_DATAPUMP` and `DBMS_METADATA` packages

## How Does Data Pump Move Data?

Data Pump uses four mechanisms for moving data in and out of databases. They are as follows, in order of decreasing speed:

- Data file copying
- Direct path
- External tables
- Network link import

---

---

**Note:** Data Pump will not load tables with disabled unique indexes. If the data needs to be loaded into the table, the indexes must be either dropped or reenabled.

---

---



---

---

**Note:** There are a few situations in which Data Pump will not be able to load data into a table using either direct path or external tables. This occurs when there are conflicting table attributes. For example, a conflict occurs if a table contains a column of datatype `LONG` (which requires the direct path access method) but also has a condition that prevents use of direct path access. In such cases, an ORA-39242 error message is generated. To work around this, prior to import, create the table with a LOB column instead of a `LONG` column. You can then perform the import and use the `TABLE_EXISTS_ACTION` parameter with a value of either `APPEND` or `TRUNCATE`.

---

---

The following sections briefly explain how and when each of these data movement mechanisms is used.

## Using Data File Copying to Move Data

The fastest method of moving data is to copy the database data files to the target database without interpreting or altering the data. With this method, Data Pump Export is used to unload only structural information (metadata) into the dump file. This method is used in the following situations:

- The `TRANSPORT_TABLESPACES` parameter is used to specify a transportable mode export. Only metadata for the specified tablespaces is exported.
- The `TRANSPORTABLE=ALWAYS` parameter is supplied on a table mode export (specified with the `TABLES` parameter). Only metadata for the tables, partitions, and subpartitions specified on the `TABLES` parameter is exported.

When an export operation uses data file copying, the corresponding import job always also uses data file copying. During the ensuing import operation, you will be loading both the data files and the export dump file.

When data is moved by using data file copying, the character sets must be identical on both the source and target databases. Therefore, in addition to copying the data, you may need to prepare it by using the Recovery Manager (RMAN) `CONVERT` command to perform some data conversions. You can generally do this at either the source or target database.

### See Also:

- *Oracle Database Backup and Recovery Reference* for information about the RMAN `CONVERT` command
- *Oracle Database Administrator's Guide* for a description and example (including how to convert the data) of transporting tablespaces between databases

## Using Direct Path to Move Data

After data file copying, direct path is the fastest method of moving data. In this method, the SQL layer of the database is bypassed and rows are moved to and from the dump file with only minimal interpretation. Data Pump automatically uses the direct path method for loading and unloading data when the structure of a table allows it. Note that if the table has any columns of datatype `LONG`, then direct path must be used.

The following sections describe situations in which direct path cannot be used for loading and unloading.

### Situations in Which Direct Path Load Is Not Used

If any of the following conditions exist for a table, Data Pump uses external tables rather than direct path to load the data for that table:

- A global index on multipartition tables exists during a single-partition load. This includes object tables that are partitioned.
- A domain index exists for a LOB column.
- A table is in a cluster.
- There is an active trigger on a pre-existing table.
- Fine-grained access control is enabled in insert mode on a pre-existing table.
- A table contains `BFILE` columns or columns of opaque types.
- A referential integrity constraint is present on a pre-existing table.
- A table contains `VARRAY` columns with an embedded opaque type.
- The table has encrypted columns
- The table into which data is being imported is a pre-existing table and at least one of the following conditions exists:
  - There is an active trigger
  - The table is partitioned
  - Fine-grained access control is in insert mode
  - A referential integrity constraint exists
  - A unique index exists
- Supplemental logging is enabled and the table has at least one LOB column.
- The Data Pump command for the specified table used the `QUERY`, `SAMPLE`, or `REMAP_DATA` parameter.

### Situations in Which Direct Path Unload Is Not Used

If any of the following conditions exist for a table, Data Pump uses the external table method to unload data, rather than direct path:

- Fine-grained access control for `SELECT` is enabled.
- The table is a queue table.
- The table contains one or more columns of type `BFILE` or opaque, or an object type containing opaque columns.
- The table contains encrypted columns.
- The table contains a column of an evolved type that needs upgrading.
- The table contains a column of type `LONG` or `LONG RAW` that is not last.
- The Data Pump command for the specified table used the `QUERY`, `SAMPLE`, or `REMAP_DATA` parameter.

## Using External Tables to Move Data

When data file copying is not selected and the data cannot be moved using direct path, the external table mechanism is used. The external table mechanism creates an external table that maps to the dump file data for the database table. The SQL engine is then used to move the data. If possible, the `APPEND` hint is used on import to speed the

copying of the data into the database. The representation of data for direct path data and external table data is the same in a dump file. Therefore, Data Pump might use the direct path mechanism at export time, but use external tables when the data is imported into the target database. Similarly, Data Pump might use external tables for the export, but use direct path for the import.

In particular, Data Pump uses external tables in the following situations:

- Loading and unloading very large tables and partitions in situations where parallel SQL can be used to advantage
- Loading tables with global or domain indexes defined on them, including partitioned object tables
- Loading tables with active triggers or clustered tables
- Loading and unloading tables with encrypted columns
- Loading tables with fine-grained access control enabled for inserts
- Loading tables that are partitioned differently at load time and unload time

---

**Note:** When Data Pump uses external tables as the data access mechanism, it uses the `ORACLE_DATAPUMP` access driver. However, it is important to understand that the files that Data Pump creates when it uses external tables are *not* compatible with files created when you manually create an external table using the SQL `CREATE TABLE . . . ORGANIZATION EXTERNAL` statement. One of the reasons for this is that a manually created external table unloads only data (no metadata), whereas Data Pump maintains both data and metadata information for all objects involved.

---

**See Also:** [Chapter 14, "The ORACLE\\_DATAPUMP Access Driver"](#)

When the Export `NETWORK_LINK` parameter is used to specify a network link for an export operation, a variant of the external tables method is used. In this case, data is selected from across the specified network link and inserted into the dump file using an external table.

**See Also:**

- [NETWORK\\_LINK](#) on page 2-26 for information about using the Export `NETWORK_LINK` parameter
- *Oracle Database SQL Language Reference* for information about using the `APPEND` hint

## Using Network Link Import to Move Data

When the Import `NETWORK_LINK` parameter is used to specify a network link for an import operation, SQL is directly used to move the data using an `INSERT SELECT` statement. The `SELECT` clause retrieves the data from the remote database over the network link. The `INSERT` clause uses SQL to insert the data into the target database. There are no dump files involved.

When you perform an export over a database link, the data from the source database instance is written to dump files on the connected database instance. The source database can be a read-only database.

Because the link can identify a remotely networked database, the terms database link and network link are used interchangeably.

Because reading over a network is generally slower than reading from a disk, network link is the slowest of the four access methods used by Data Pump and may be undesirable for very large jobs.

### Supported Link Types

The following types of database links are supported for use with Data Pump Export and Import:

- Public (both public and shared)
- Fixed-user
- Connected user

### Unsupported Link Types

The database link type, Current User, is not supported for use with Data Pump Export or Import:

#### See Also:

- The Export [NETWORK\\_LINK](#) parameter on page 2-26 for information about performing exports over a database link
- The Import [NETWORK\\_LINK](#) parameter on page 3-20 for information about performing imports over a database link
- *Oracle Database SQL Language Reference* for information about database links

## What Happens During Execution of a Data Pump Job?

Data Pump jobs use a master table, a master process, and worker processes to perform the work and keep track of progress.

### Coordination of a Job

For every Data Pump Export job and Data Pump Import job, a master process is created. The master process controls the entire job, including communicating with the clients, creating and controlling a pool of worker processes, and performing logging operations.

### Tracking Progress Within a Job

While the data and metadata are being transferred, a master table is used to track the progress within a job. The master table is implemented as a user table within the database. The specific function of the master table for export and import jobs is as follows:

- For export jobs, the master table records the location of database objects within a dump file set. Export builds and maintains the master table for the duration of the job. At the end of an export job, the content of the master table is written to a file in the dump file set.
- For import jobs, the master table is loaded from the dump file set and is used to control the sequence of operations for locating objects that need to be imported into the target database.

The master table is created in the schema of the current user performing the export or import operation. Therefore, that user must have the `CREATE TABLE` system privilege and a sufficient tablespace quota for creation of the master table. The name of the master table is the same as the name of the job that created it. Therefore, you cannot explicitly give a Data Pump job the same name as a preexisting table or view.

For all operations, the information in the master table is used to restart a job.

The master table is either retained or dropped, depending on the circumstances, as follows:

- Upon successful job completion, the master table is dropped.
- If a job is stopped using the `STOP_JOB` interactive command, the master table is retained for use in restarting the job.
- If a job is killed using the `KILL_JOB` interactive command, the master table is dropped and the job cannot be restarted.
- If a job terminates unexpectedly, the master table is retained. You can delete it if you do not intend to restart the job.
- If a job stops before it starts running (that is, before any database objects have been copied), the master table is dropped.

**See Also:** [JOB\\_NAME](#) on page 2-24 for more information about how job names are formed.

## Filtering Data and Metadata During a Job

Within the master table, specific objects are assigned attributes such as name or owning schema. Objects also belong to a class of objects (such as `TABLE`, `INDEX`, or `DIRECTORY`). The class of an object is called its object type. You can use the `EXCLUDE` and `INCLUDE` parameters to restrict the types of objects that are exported and imported. The objects can be based upon the name of the object or the name of the schema that owns the object. You can also specify data-specific filters to restrict the rows that are exported and imported.

**See Also:**

- [Filtering During Export Operations](#) on page 2-5
- [Filtering During Import Operations](#) on page 3-5

## Transforming Metadata During a Job

When you are moving data from one database to another, it is often useful to perform transformations on the metadata for remapping storage between tablespaces or redefining the owner of a particular set of objects. This is done using the following Data Pump Import parameters: `REMAP_DATAFILE`, `REMAP_SCHEMA`, `REMAP_TABLE`, `REMAP_TABLESPACE`, `TRANSFORM` and `PARTITION_OPTIONS`.

## Maximizing Job Performance

Data Pump can employ multiple worker processes, running in parallel, to job increase performance. Use the `PARALLEL` parameter to set a degree of parallelism that takes maximum advantage of current conditions. For example, to limit the effect of a job on a production system, the database administrator (DBA) might wish to restrict the parallelism. The degree of parallelism can be reset at any time during a job. For example, `PARALLEL` could be set to 2 during production hours to restrict a particular

job to only two degrees of parallelism, and during nonproduction hours it could be reset to 8. The parallelism setting is enforced by the master process, which allocates work to be executed to worker processes that perform the data and metadata processing within an operation. These worker processes operate in parallel. In general, the degree of parallelism should be set to no more than twice the number of CPUs on an instance.

---

---

**Note:** The ability to adjust the degree of parallelism is available only in the Enterprise Edition of Oracle Database.

---

---

## Loading and Unloading of Data

The worker processes are the ones that actually unload and load metadata and table data in parallel. Worker processes are created as needed until the number of worker processes is equal to the value supplied for the `PARALLEL` command-line parameter. The number of active worker processes can be reset throughout the life of a job.

---

---

**Note:** The value of `PARALLEL` is restricted to 1 in the Standard Edition of Oracle Database.

---

---

When a worker process is assigned the task of loading or unloading a very large table or partition, it may choose to use the external tables access method to make maximum use of parallel execution. In such a case, the worker process becomes a parallel execution coordinator. The actual loading and unloading work is divided among some number of parallel I/O execution processes (sometimes called slaves) allocated from the Oracle RAC-wide pool of parallel I/O execution processes.

**See Also:**

- The Export [PARALLEL](#) parameter on page 2-27
- The Import [PARALLEL](#) parameter on page 3-22

## Monitoring Job Status

The Data Pump Export and Import utilities can be attached to a job in either interactive-command mode or logging mode. In logging mode, real-time detailed status about the job is automatically displayed during job execution. The information displayed can include the job and parameter descriptions, an estimate of the amount of data to be exported, a description of the current operation or item being processed, files used during the job, any errors encountered, and the final job state (Stopped or Completed).

**See Also:**

- The Export [STATUS](#) parameter on page 2-44 for information about changing the frequency of the status display in command-line Export
- The Import [STATUS](#) parameter on page 3-32 for information about changing the frequency of the status display in command-line Import

Job status can be displayed on request in interactive-command mode. The information displayed can include the job description and state, a description of the current operation or item being processed, files being written, and a cumulative status.

**See Also:**

- The interactive Export [STATUS](#) command on page 2-44
- The interactive Import [STATUS](#) command on page 3-47

A log file can also be optionally written during the execution of a job. The log file summarizes the progress of the job, lists any errors that were encountered along the way, and records the completion status of the job.

**See Also:**

- The Export [LOGFILE](#) parameter on page 2-25 for information on how to set the file specification for an export log file
- The Import [LOGFILE](#) parameter on page 3-19 for information on how to set the file specification for a import log file

An alternative way to determine job status or to get other information about Data Pump jobs, would be to query the `DBA_DATAPUMP_JOBS`, `USER_DATAPUMP_JOBS`, or `DBA_DATAPUMP_SESSIONS` views. See *Oracle Database Reference* for descriptions of these views.

## Monitoring the Progress of Executing Jobs

Data Pump operations that transfer table data (export and import) maintain an entry in the `V$SESSION_LONGOPS` dynamic performance view indicating the job progress (in megabytes of table data transferred). The entry contains the estimated transfer size and is periodically updated to reflect the actual amount of data transferred.

Use of the `COMPRESSION`, `ENCRYPTION`, `ENCRYPTION_ALGORITHM`, `ENCRYPTION_MODE`, `ENCRYPTION_PASSWORD`, `QUERY`, `REMAP_DATA`, and `SAMPLE` parameters will not be reflected in the determination of estimate values.

The usefulness of the estimate value for export operations depends on the type of estimation requested when the operation was initiated, and it is updated as required if exceeded by the actual transfer amount. The estimate value for import operations is exact.

The `V$SESSION_LONGOPS` columns that are relevant to a Data Pump job are as follows:

- `USERNAME` - job owner
- `OPNAME` - job name
- `TARGET_DESC` - job operation
- `SOFAR` - megabytes (MB) transferred thus far during the job
- `TOTALWORK` - estimated number of megabytes (MB) in the job
- `UNITS` - 'MB'
- `MESSAGE` - a formatted status message of the form:

```
'job_name: operation_name : nnn out of mmm MB done'
```

## File Allocation

Data Pump jobs manage the following types of files:

- Dump files to contain the data and metadata that is being moved
- Log files to record the messages associated with an operation
- SQL files to record the output of a SQLFILE operation. A SQLFILE operation is invoked using the Data Pump Import `SQLFILE` parameter and results in all of the SQL DDL that Import will be executing based on other parameters, being written to a SQL file.
- Files specified by the `DATA_FILES` parameter during a transportable import.

An understanding of how Data Pump allocates and handles these files will help you to use Export and Import to their fullest advantage.

### Specifying Files and Adding Additional Dump Files

For export operations, you can specify dump files at the time the job is defined, as well as at a later time during the operation. For example, if you discover that space is running low during an export operation, you can add additional dump files by using the Data Pump Export `ADD_FILE` command in interactive mode.

For import operations, all dump files must be specified at the time the job is defined.

Log files and SQL files will overwrite previously existing files. For dump files, you can use the Export `REUSE_DUMPFILES` parameter to specify whether or not to overwrite a preexisting dump file.

### Default Locations for Dump, Log, and SQL Files

Because Data Pump is server-based, rather than client-based, dump files, log files, and SQL files are accessed relative to server-based directory paths. Data Pump requires you to specify directory paths as directory objects. A directory object maps a name to a directory path on the file system.

For example, the following SQL statement creates a directory object named `dpump_dir1` that is mapped to a directory located at `/usr/apps/datafiles`.

```
SQL> CREATE DIRECTORY dpump_dir1 AS '/usr/apps/datafiles';
```

The reason that a directory object is required is to ensure data security and integrity. For example:

- If you were allowed to specify a directory path location for an input file, you might be able to read data that the server has access to, but to which you should not.
- If you were allowed to specify a directory path location for an output file, the server might overwrite a file that you might not normally have privileges to delete.

On Unix and Windows NT systems, a default directory object, `DATA_PUMP_DIR`, is created at database creation or whenever the database dictionary is upgraded. By default, it is available only to privileged users.

If you are not a privileged user, before you can run Data Pump Export or Data Pump Import, a directory object must be created by a database administrator (DBA) or by any user with the `CREATE ANY DIRECTORY` privilege.



After a directory is created, the user creating the directory object needs to grant `READ` or `WRITE` permission on the directory to other users. For example, to allow the Oracle database to read and write files on behalf of user `hr` in the directory named by `dpump_dir1`, the DBA must execute the following command:

```
SQL> GRANT READ, WRITE ON DIRECTORY dpump_dir1 TO hr;
```

Note that `READ` or `WRITE` permission to a directory object only means that the Oracle database will read or write that file on your behalf. You are not given direct access to those files outside of the Oracle database unless you have the appropriate operating system privileges. Similarly, the Oracle database requires permission from the operating system to read and write files in the directories.

Data Pump Export and Import use the following order of precedence to determine a file's location:

1. If a directory object is specified as part of the file specification, then the location specified by that directory object is used. (The directory object must be separated from the filename by a colon.)
2. If a directory object is not specified for a file, then the directory object named by the `DIRECTORY` parameter is used.
3. If a directory object is not specified, and if no directory object was named by the `DIRECTORY` parameter, then the value of the environment variable, `DATA_PUMP_DIR`, is used. This environment variable is defined using operating system commands on the client system where the Data Pump Export and Import utilities are run. The value assigned to this client-based environment variable must be the name of a server-based directory object, which must first be created on the server system by a DBA. For example, the following SQL statement creates a directory object on the server system. The name of the directory object is `DUMP_FILES1`, and it is located at  `'/usr/apps/dumpfiles1'`.

```
SQL> CREATE DIRECTORY DUMP_FILES1 AS '/usr/apps/dumpfiles1';
```

Then, a user on a UNIX-based client system using `csh` can assign the value `DUMP_FILES1` to the environment variable `DATA_PUMP_DIR`. The `DIRECTORY` parameter can then be omitted from the command line. The dump file `employees.dmp`, as well as the log file `export.log`, will be written to  `'/usr/apps/dumpfiles1'`.

```
%setenv DATA_PUMP_DIR DUMP_FILES1
%expdp hr TABLES=employees DUMPFILE=employees.dmp
```

4. If none of the previous three conditions yields a directory object and you are a privileged user, then Data Pump attempts to use the value of the default server-based directory object, `DATA_PUMP_DIR`. This directory object is automatically created at database creation or when the database dictionary is upgraded. You can use the following SQL query to see the path definition for `DATA_PUMP_DIR`:

```
SQL> SELECT directory_name, directory_path FROM dba_directories
2 WHERE directory_name='DATA_PUMP_DIR';
```

If you are not a privileged user, access to the `DATA_PUMP_DIR` directory object must have previously been granted to you by a DBA.

Do not confuse the default `DATA_PUMP_DIR` directory object with the client-based environment variable of the same name.

## Using Directory Objects When Automatic Storage Management Is Enabled

If you use Data Pump Export or Import with Automatic Storage Management (ASM) enabled, you must define the directory object used for the dump file so that the ASM disk-group name is used (instead of an operating system directory path). A separate directory object, which points to an operating system directory path, should be used for the log file. For example, you would create a directory object for the ASM dump file as follows:

```
SQL> CREATE or REPLACE DIRECTORY dpump_dir as '+DATAFILES/';
```

Then you would create a separate directory object for the log file:

```
SQL> CREATE or REPLACE DIRECTORY dpump_log as '/homedir/user1/';
```

To enable user `hr` to have access to these directory objects, you would assign the necessary privileges, for example:

```
SQL> GRANT READ, WRITE ON DIRECTORY dpump_dir TO hr;  
SQL> GRANT READ, WRITE ON DIRECTORY dpump_log TO hr;
```

You would then use the following Data Pump Export command (you will be prompted for a password):

```
> expdp hr DIRECTORY=dpump_dir DUMPFILE=hr.dmp LOGFILE=dpump_log:hr.log
```

### See Also:

- The Export [DIRECTORY](#) parameter on page 2-11
- The Import [DIRECTORY](#) parameter on page 3-10
- *Oracle Database SQL Language Reference* for information about the `CREATE DIRECTORY` command
- *Oracle Database Administrator's Guide* for more information about Automatic Storage Management (ASM)

## Setting Parallelism

For export and import operations, the parallelism setting (specified with the `PARALLEL` parameter) should be less than or equal to the number of dump files in the dump file set. If there are not enough dump files, the performance will not be optimal because multiple threads of execution will be trying to access the same dump file.

The `PARALLEL` parameter is valid only in the Enterprise Edition of Oracle Database.

## Using Substitution Variables

Instead of, or in addition to, listing specific filenames, you can use the `DUMPFILE` parameter during export operations to specify multiple dump files, by using a substitution variable (`%U`) in the filename. This is called a dump file template. The new dump files are created as they are needed, beginning with 01 for `%U`, then using 02, 03, and so on. Enough dump files are created to allow all processes specified by the current setting of the `PARALLEL` parameter to be active. If one of the dump files becomes full because its size has reached the maximum size specified by the `FILESIZE` parameter, it is closed, and a new dump file (with a new generated name) is created to take its place.

If multiple dump file templates are provided, they are used to generate dump files in a round-robin fashion. For example, if `expa%U`, `expb%U`, and `expc%U` were all specified

for a job having a parallelism of 6, the initial dump files created would be `expa01.dmp`, `expb01.dmp`, `expc01.dmp`, `expa02.dmp`, `expb02.dmp`, and `expc02.dmp`.

For import and SQLFILE operations, if dump file specifications `expa%U`, `expb%U`, and `expc%U` are specified, then the operation will begin by attempting to open the dump files `expa01.dmp`, `expb01.dmp`, and `expc01.dmp`. It is possible for the master table to span multiple dump files, so until all pieces of the master table are found, dump files continue to be opened by incrementing the substitution variable and looking up the new filenames (for example, `expa02.dmp`, `expb02.dmp`, and `expc02.dmp`). If a dump file does not exist, the operation stops incrementing the substitution variable for the dump file specification that was in error. For example, if `expb01.dmp` and `expb02.dmp` are found but `expb03.dmp` is not found, then no more files are searched for using the `expb%U` specification. Once the entire master table is found, it is used to determine whether all dump files in the dump file set have been located.

## Moving Data Between Different Database Versions

Because most Data Pump operations are performed on the server side, if you are using any version of the database other than `COMPATIBLE`, you must provide the server with specific version information. Otherwise, errors may occur. To specify version information, use the `VERSION` parameter.

### See Also:

- The Export [VERSION](#) parameter on page 2-38
- The Import [VERSION](#) parameter on page 3-41

Keep the following information in mind when you are using Data Pump Export and Import to move data between different database versions:

- If you specify a database version that is older than the current database version, certain features may be unavailable. For example, specifying `VERSION=10.1` will cause an error if data compression is also specified for the job because compression was not supported in 10.1.
- On a Data Pump export, if you specify a database version that is older than the current database version, then a dump file set is created that you can import into that older version of the database. However, the dump file set will not contain any objects that the older database version does not support. For example, if you export from a version 10.2 database to a version 10.1 database, comments on indextypes will not be exported into the dump file set.
- Data Pump Import can always read dump file sets created by older versions of the database.
- Data Pump Import cannot read dump file sets created by a database version that is newer than the current database version, unless those dump file sets were created with the version parameter set to the version of the target database. Therefore, the best way to perform a downgrade is to perform your Data Pump export with the `VERSION` parameter set to the version of the target database.
- When operating across a network link, Data Pump requires that the remote database version be either the same as the local database or one version older, at the most. For example, if the local database is version 11.1, the remote database must be either version 10.2 or 11.1.



---

---

## Data Pump Export

This chapter describes the Oracle Data Pump Export utility. The following topics are discussed:

- [What Is Data Pump Export?](#)
- [Invoking Data Pump Export](#)
- [Filtering During Export Operations](#)
- [Parameters Available in Export's Command-Line Mode](#)
- [How Data Pump Export Parameters Map to Those of the Original Export Utility](#)
- [Commands Available in Export's Interactive-Command Mode](#)
- [Examples of Using Data Pump Export](#)
- [Syntax Diagrams for Data Pump Export](#)

### What Is Data Pump Export?

---

---

**Note:** Although Data Pump Export (`expdp`) functionality is similar to that of the original Export utility (`exp`), they are completely separate utilities and their files are not compatible. See [Chapter 20, "Original Export and Import"](#) for a description of the original Export utility.

---

---

Data Pump Export (hereinafter referred to as Export for ease of reading) is a utility for unloading data and metadata into a set of operating system files called a dump file set. The dump file set can be imported only by the Data Pump Import utility. The dump file set can be imported on the same system or it can be moved to another system and loaded there.

The dump file set is made up of one or more disk files that contain table data, database object metadata, and control information. The files are written in a proprietary, binary format. During an import operation, the Data Pump Import utility uses these files to locate each database object in the dump file set.

Because the dump files are written by the server, rather than by the client, the database administrator (DBA) must create directory objects. See [Default Locations for Dump, Log, and SQL Files](#) on page 1-10 for more information about directory objects.

Data Pump Export enables you to specify that a job should move a subset of the data and metadata, as determined by the export mode. This is done using data filters and

metadata filters, which are specified through Export parameters. See [Filtering During Export Operations](#) on page 2-5.

To see some examples of the various ways in which you can use Data Pump Export, refer to [Examples of Using Data Pump Export](#) on page 2-45.

## Invoking Data Pump Export

The Data Pump Export utility is invoked using the `expdp` command. The characteristics of the export operation are determined by the Export parameters you specify. These parameters can be specified either on the command line or in a parameter file.

---

---

**Note:** Do not invoke Export as `SYSDBA`, except at the request of Oracle technical support. `SYSDBA` is used internally and has specialized functions; its behavior is not the same as for general users.

---

---

The following sections contain more information about invoking Export:

- [Data Pump Export Interfaces](#) on page 2-2
- [Data Pump Export Modes](#) on page 2-3
- [Network Considerations](#) on page 2-5

---

---

**Note:** It is not possible to start or restart Data Pump jobs on one instance in an Oracle Real Application Clusters (RAC) environment if there are Data Pump jobs currently running on other instances in the Oracle RAC environment.

---

---

## Data Pump Export Interfaces

You can interact with Data Pump Export by using a command line, a parameter file, or an interactive-command mode.

- **Command-Line Interface:** Enables you to specify most of the Export parameters directly on the command line. For a complete description of the parameters available in the command-line interface, see [Parameters Available in Export's Command-Line Mode](#) on page 2-7.
- **Parameter File Interface:** Enables you to specify command-line parameters in a parameter file. The only exception is the `PARFILE` parameter, because parameter files cannot be nested. The use of parameter files is recommended if you are using parameters whose values require quotation marks. See [Use of Quotation Marks On the Data Pump Command Line](#) on page 2-7.
- **Interactive-Command Interface:** Stops logging to the terminal and displays the Export prompt, from which you can enter various commands, some of which are specific to interactive-command mode. This mode is enabled by pressing `Ctrl+C` during an export operation started with the command-line interface or the parameter file interface. Interactive-command mode is also enabled when you attach to an executing or stopped job.

For a complete description of the commands available in interactive-command mode, see [Commands Available in Export's Interactive-Command Mode](#) on page 2-41.

## Data Pump Export Modes

Export provides different modes for unloading different portions of the database. The mode is specified on the command line, using the appropriate parameter. The available modes are as follows:

- [Full Export Mode](#) on page 2-3
- [Schema Mode](#) on page 2-3
- [Table Mode](#) on page 2-3
- [Tablespace Mode](#) on page 2-4
- [Transportable Tablespace Mode](#) on page 2-4

---

---

**Note:** A number of system schemas cannot be exported because they are not user schemas; they contain Oracle-managed data and metadata. Examples of system schemas that are not exported include SYS, ORDSYS, and MDSYS.

---

---

**See Also:** [Examples of Using Data Pump Export](#) on page 2-45

### Full Export Mode

A full export is specified using the FULL parameter. In a full database export, the entire database is unloaded. This mode requires that you have the EXP\_FULL\_DATABASE role.

**See Also:** [FULL](#) on page 2-22 for a description of the Export FULL parameter

### Schema Mode

A schema export is specified using the SCHEMAS parameter. This is the default export mode. If you have the EXP\_FULL\_DATABASE role, then you can specify a list of schemas and optionally include the schema definitions themselves, as well as system privilege grants to those schemas. If you do not have the EXP\_FULL\_DATABASE role, you can export only your own schema.

The SYS schema cannot be used as a source schema for export jobs.

Cross-schema references are not exported unless the referenced schema is also specified in the list of schemas to be exported. For example, a trigger defined on a table within one of the specified schemas, but that resides in a schema not explicitly specified, is not exported. This is also true for external type definitions upon which tables in the specified schemas depend. In such a case, it is expected that the type definitions already exist in the target instance at import time.

**See Also:** [SCHEMAS](#) on page 2-32 for a description of the Export SCHEMAS parameter

### Table Mode

A table mode export is specified using the TABLES parameter. In table mode, only a specified set of tables, partitions, and their dependent objects are unloaded.

If you specify the TRANSPORTABLE=ALWAYS parameter in conjunction with the TABLES parameter, then only object metadata is unloaded. To move the actual data, you copy the data files to the target database. This results in quicker export times. If

you are moving data files between versions or platforms, the data files may need to be processed by Oracle Recovery Manager (RMAN).

**See Also:** *Oracle Database Backup and Recovery User's Guide* for more information on transporting data across platforms

You must have the `EXP_FULL_DATABASE` role to specify tables that are not in your own schema. All specified tables must reside in a single schema. Note that type definitions for columns are *not* exported in table mode. It is expected that the type definitions already exist in the target instance at import time. Also, as in schema exports, cross-schema references are not exported.

**See Also:**

- [TABLES](#) on page 2-33 for a description of the Export `TABLES` parameter
- [TRANSPORTABLE](#) on page 2-37 for a description of the Export `TRANSPORTABLE` parameter

### Tablespace Mode

A tablespace export is specified using the `TABLESPACES` parameter. In tablespace mode, only the tables contained in a specified set of tablespaces are unloaded. If a table is unloaded, its dependent objects are also unloaded. Both object metadata and data are unloaded. In tablespace mode, if any part of a table resides in the specified set, then that table and all of its dependent objects are exported. Privileged users get all tables. Nonprivileged users get only the tables in their own schemas.

**See Also:**

- [TABLESPACES](#) on page 2-35 for a description of the Export `TABLESPACES` parameter

### Transportable Tablespace Mode

A transportable tablespace export is specified using the `TRANSPORT_TABLESPACES` parameter. In transportable tablespace mode, only the metadata for the tables (and their dependent objects) within a specified set of tablespaces is exported. The tablespace datafiles are copied in a separate operation. Then, a transportable tablespace import is performed to import the dump file containing the metadata and to specify the datafiles to use.

Transportable tablespace mode requires that the specified tables be completely self-contained. That is, all storage segments of all tables (and their indexes) defined within the tablespace set must also be contained within the set. If there are self-containment violations, Export identifies all of the problems without actually performing the export.

Transportable tablespace exports cannot be restarted once stopped. Also, they cannot have a degree of parallelism greater than 1.

Encrypted columns are not supported in transportable tablespace mode.

---

---

**Note:** You cannot export transportable tablespaces and then import them into a database at a lower release level. The target database must be at the same or higher release level as the source database.

---

---



**See Also:**

- [TRANSPORT\\_FULL\\_CHECK](#) on page 2-35
- [TRANSPORT\\_TABLESPACES](#) on page 2-36
- *Oracle Database Administrator's Guide* for more information about transportable tablespaces

**Network Considerations**

You can specify a connect identifier in the connect string when you invoke the Data Pump Export utility. This identifier can specify a database instance that is different from the current instance identified by the current Oracle System ID (SID). The connect identifier can be an Oracle\*Net connect descriptor or a name that maps to a connect descriptor. This requires an active listener (to start the listener, enter `lsnrctl start`) that can be located using the connect descriptor. The following example invokes Export for user `hr`, using the connect descriptor named `inst1`:

```
expdp hr DIRECTORY=dpump_dir1 DUMPFILE=hr.dmp TABLES=employees
```

```
Export: Release 11.1.0.6.0 - Production on Monday, 27 August, 2007 10:15:45
```

```
Copyright (c) 2003, 2007, Oracle. All rights reserved.
```

```
Password: password@inst1
```

```
Connected to: Oracle Database 11g Enterprise Edition Release 11.1.0.6.0 -  
Production
```

```
With the Partitioning, Data Mining and Real Application Testing options
```

The local Export client connects to the database instance identified by the connect descriptor `inst1` (a simple net service name, usually defined in a `tnsnames.ora` file), to export the data on that instance.

Do not confuse invoking the Export utility using a connect identifier with an export operation specifying the Export `NETWORK_LINK` command-line parameter. When you perform an export and use the `NETWORK_LINK` parameter, the export is initiated over a database link. Whereas, when you start an export operation and specify a connect identifier, the local Export client connects to the database instance identified by the command-line connect string, retrieves the data to be exported from the database instance identified by the database link, and writes the data to a dump file set on the connected database instance.

**See Also:**

- [NETWORK\\_LINK](#) on page 2-26
- *Oracle Database Net Services Administrator's Guide*
- *Oracle Database Heterogeneous Connectivity Administrator's Guide*

**Filtering During Export Operations**

Data Pump Export provides much greater data and metadata filtering capability than was provided by the original Export utility.

## Data Filters

Data specific filtering is implemented through the `QUERY` and `SAMPLE` parameters, which specify restrictions on the table rows that are to be exported.

Data filtering can also occur indirectly as a result of metadata filtering, which can include or exclude table objects along with any associated row data.

Each data filter can be specified once per table within a job. If different filters using the same name are applied to both a particular table and to the whole job, the filter parameter supplied for the specific table will take precedence.

## Metadata Filters

Metadata filtering is implemented through the `EXCLUDE` and `INCLUDE` parameters. The `EXCLUDE` and `INCLUDE` parameters are mutually exclusive.

Metadata filters identify a set of objects to be included or excluded from an Export or Import operation. For example, you could request a full export, but without Package Specifications or Package Bodies.

To use filters correctly and to get the results you expect, remember that *dependent objects of an identified object are processed along with the identified object*. For example, if a filter specifies that an index is to be included in an operation, then statistics from that index will also be included. Likewise, if a table is excluded by a filter, then indexes, constraints, grants, and triggers upon the table will also be excluded by the filter.

If multiple filters are specified for an object type, an implicit `AND` operation is applied to them. That is, objects pertaining to the job must pass *all* of the filters applied to their object types.

The same metadata filter name can be specified multiple times within a job.

To see which objects can be filtered, you can query the following views: `DATABASE_EXPORT_OBJECTS` for Full-mode exports, `SCHEMA_EXPORT_OBJECTS` for schema-mode exports, and `TABLE_EXPORT_OBJECTS` for table-mode and tablespace-mode exports. For example, you could perform the following query:

```
SQL> SELECT OBJECT_PATH, COMMENTS FROM SCHEMA_EXPORT_OBJECTS
       2 WHERE OBJECT_PATH LIKE '%GRANT' AND OBJECT_PATH NOT LIKE '%/%';
```

The output of this query looks similar to the following:

```
OBJECT_PATH
-----
COMMENTS
-----
GRANT
Object grants on the selected tables

OBJECT_GRANT
Object grants on the selected tables

PROCDEPOBJ_GRANT
Grants on instance procedural objects

PROCOBJ_GRANT
Schema procedural object grants in the selected schemas

ROLE_GRANT
Role grants to users associated with the selected schemas
```

SYSTEM\_GRANT

System privileges granted to users associated with the selected schemas

**See Also:** [EXCLUDE](#) on page 2-18 and [INCLUDE](#) on page 2-23

## Parameters Available in Export's Command-Line Mode

This section provides descriptions of the parameters available in the command-line mode of Data Pump Export. Many of the descriptions include an example of how to use the parameter.

### Using the Export Parameter Examples

If you try running the examples that are provided for each parameter, be aware of the following:

- After you enter the username and parameters as shown in the example, Export is started and you are prompted for a password before a database connection is made:

```
Export: Release 11.1.0.6.0 - Production on Monday, 27 August, 2007 11:45:35
```

```
Copyright (c) 2003, 2007, Oracle. All rights reserved.
```

```
Password: password
```

```
Connected to: Oracle Database 11g Enterprise Edition Release 11.1.0.6.0 -  
Production
```

```
With the Partitioning, Data Mining and Real Application Testing options
```

- Most of the examples use the sample schemas of the seed database, which is installed by default when you install Oracle Database. In particular, the human resources (hr) schema is often used.
- The examples assume that the directory objects, `dpump_dir1` and `dpump_dir2`, already exist and that `READ` and `WRITE` privileges have been granted to the `hr` schema for these directory objects. See [Default Locations for Dump, Log, and SQL Files](#) on page 1-10 for information about creating directory objects and assigning privileges to them.
- Some of the examples require the `EXP_FULL_DATABASE` and `IMP_FULL_DATABASE` roles. The examples assume that the `hr` schema has been granted these roles.

If necessary, ask your DBA for help in creating these directory objects and assigning the necessary privileges and roles.

Syntax diagrams of these parameters are provided in [Syntax Diagrams for Data Pump Export](#) on page 2-48.

Unless specifically noted, these parameters can also be specified in a parameter file.

### Use of Quotation Marks On the Data Pump Command Line

Some operating systems require that quotation marks on the command line be preceded by an escape character, such as the backslash. If the backslashes were not present, the command-line parser that Export uses would not understand the quotation marks and would remove them, resulting in an error. In general, Oracle recommends that you place such statements in a parameter file because escape characters are not necessary in parameter files.

**See Also:**

- [Default Locations for Dump, Log, and SQL Files](#) on page 1-10 for information about creating default directory objects
- [Examples of Using Data Pump Export](#) on page 2-45
- *Oracle Database Sample Schemas*

---

---

**Note:** If you are accustomed to using the original Export utility (`exp`), you may be wondering which Data Pump parameters are used to perform the operations you used to perform with original Export. For a comparison, see [How Data Pump Export Parameters Map to Those of the Original Export Utility](#) on page 2-39.

---

---

## ATTACH

Default: job currently in the user's schema, if there is only one

### Purpose

Attaches the client session to an existing export job and automatically places you in the interactive-command interface. Export displays a description of the job to which you are attached and also displays the Export prompt.

### Syntax and Description

ATTACH [= [*schema\_name*.] *job\_name*]

The *schema\_name* is optional. To specify a schema other than your own, you must have the EXP\_FULL\_DATABASE role.

The *job\_name* is optional if only one export job is associated with your schema and the job is active. To attach to a stopped job, you must supply the job name. To see a list of Data Pump job names, you can query the DBA\_DATAPUMP\_JOBS view or the USER\_DATAPUMP\_JOBS view.

When you are attached to the job, Export displays a description of the job and then displays the Export prompt.

### Restrictions

- When you specify the ATTACH parameter, the only other Data Pump parameter you can specify on the command line is ENCRYPTION\_PASSWORD.
- If the job you are attaching to was initially started using an encryption password, then when you attach to the job you must again enter the ENCRYPTION\_PASSWORD parameter on the command line to re-specify that password. The only exception to this is if the job was initially started with the ENCRYPTION=ENCRYPTED\_COLUMNS\_ONLY parameter. In that case, the encryption password is not needed when attaching to the job.
- You cannot attach to a job in another schema unless it is already running.
- If the dump file set or master table for the job have been deleted, the attach operation will fail.
- Altering the master table in any way will lead to unpredictable results.

**Example**

The following is an example of using the ATTACH parameter. It assumes that the job, `hr.export_job`, already exists.

```
> expdp hr ATTACH=hr.export_job
```

**See Also:** [Commands Available in Export's Interactive-Command Mode](#) on page 2-41

**COMPRESSION**

Default: METADATA\_ONLY

**Purpose**

Specifies which data to compress before writing to the dump file set.

**Syntax and Description**

```
COMPRESSION={ALL | DATA_ONLY | METADATA_ONLY | NONE}
```

- ALL enables compression for the entire export operation.
- DATA\_ONLY results in all data being written to the dump file in compressed format.
- METADATA\_ONLY results in all metadata being written to the dump file in compressed format. This is the default.
- NONE disables compression for the entire export operation.

**Restrictions**

- To make full use of all these compression options, the COMPATIBLE initialization parameter must be set to at least 11.0.0.
- The METADATA\_ONLY option can be used even if the COMPATIBLE initialization parameter is set to 10.2.

**Example**

The following is an example of using the COMPRESSION parameter:

```
> expdp hr DIRECTORY=dpump_dir1 DUMPFILE=hr_comp.dmp
COMPRESSION=METADATA_ONLY
```

This command will execute a schema-mode export that will compress all metadata before writing it out to the dump file, `hr_comp.dmp`. It defaults to a schema-mode export because no export mode is specified.

**CONTENT**

Default: ALL

**Purpose**

Enables you to filter what Export unloads: data only, metadata only, or both.

**Syntax and Description**

```
CONTENT={ALL | DATA_ONLY | METADATA_ONLY}
```

- ALL unloads both data and metadata. This is the default.

- `DATA_ONLY` unloads only table row data; no database object definitions are unloaded.
- `METADATA_ONLY` unloads only database object definitions; no table row data is unloaded.

### Restrictions

- The `CONTENT=METADATA_ONLY` parameter cannot be used in conjunction with the parameter `TRANSPORT_TABLESPACES` (transportable-tablespace-mode).

### Example

The following is an example of using the `CONTENT` parameter:

```
> expdp hr DIRECTORY=dpump_dir1 DUMPFILE=hr.dmp CONTENT=METADATA_ONLY
```

This command will execute a schema-mode export that will unload only the metadata associated with the `hr` schema. It defaults to a schema-mode export of the `hr` schema because no export mode is specified.

## DATA\_OPTIONS

Default: There is no default. If this parameter is not used, then the special data handling options it provides simply do not take effect.

### Purpose

The `DATA_OPTIONS` parameter provides options for how to handle certain types of data during exports and imports. For export operations, the only valid option for the `DATA_OPTIONS` parameter is `XML_CLOBS`.

### Syntax and Description

```
DATA_OPTIONS=XML_CLOBS
```

The `XML_CLOBS` option specifies that XMLType columns are to be exported in uncompressed CLOB format regardless of the XMLType storage format that was defined for them.

If a table has XMLType columns stored *only* as CLOBs, then it is not necessary to specify the `XML_CLOBS` option because Data Pump automatically exports them in CLOB format.

If a table has XMLType columns stored as any combination of object-relational (schema-based), binary, or CLOB formats, Data Pump exports them in compressed format, by default. This is the preferred method. However, if you need to export the data in uncompressed CLOB format, you can use the `XML_CLOBS` option to override the default.

**See Also:** *Oracle XML DB Developer's Guide* for information specific to exporting and importing XMLType tables

### Restrictions

- Using the `XML_CLOBS` option requires that the same XML schema be used at both export and import time.
- The Export `DATA_OPTIONS` parameter requires the job version to be set at 11.0.0 or higher. See [VERSION](#) on page 2-38.

**Example**

This example shows an export operation in which any XMLType columns in the `hr.xdb_tab1` table are exported in uncompressed CLOB format regardless of the XMLType storage format that was defined for them.

```
> expdp hr TABLES=hr.xdb_tab1 DIRECTORY=dpump_dir1
DUMPFILE=hr_xml.dmp VERSION=11.1 DATA_OPTIONS=xml_clobs
```

**DIRECTORY**

Default: DATA\_PUMP\_DIR

**Purpose**

Specifies the default location to which Export can write the dump file set and the log file.

**Syntax and Description**

`DIRECTORY=directory_object`

The *directory\_object* is the name of a database directory object (*not the file path of an actual directory*). Upon installation, privileged users have access to a default directory object named `DATA_PUMP_DIR`. Users with access to `DATA_PUMP_DIR` need not use the `DIRECTORY` parameter at all.

A directory object specified on the `DUMPFILE` or `LOGFILE` parameter overrides any directory object that you specify for the `DIRECTORY` parameter.

**Example**

The following is an example of using the `DIRECTORY` parameter:

```
> expdp hr DIRECTORY=dpump_dir1 DUMPFILE=employees.dmp CONTENT=METADATA_ONLY
```

The dump file, `employees.dmp`, will be written to the path that is associated with the directory object `dpump_dir1`.

**See Also:**

- [Default Locations for Dump, Log, and SQL Files](#) on page 1-10 for more information about default directory objects
- *Oracle Database SQL Language Reference* for information about the `CREATE DIRECTORY` command

**DUMPFILE**

Default: `expdat.dmp`

**Purpose**

Specifies the names, and optionally, the directory objects of dump files for an export job.

**Syntax and Description**

`DUMPFILE=[directory_object:]file_name [, ...]`

The *directory\_object* is optional if one has already been established by the `DIRECTORY` parameter. If you supply a value here, it must be a directory object that

already exists and that you have access to. A database directory object that is specified as part of the `DUMPFILE` parameter overrides a value specified by the `DIRECTORY` parameter or by the default directory object.

You can supply multiple *file\_name* specifications as a comma-delimited list or in separate `DUMPFILE` parameter specifications. If no extension is given for the filename, then Export uses the default file extension of `.dmp`. The filenames can contain a substitution variable (`%U`), which implies that multiple files may be generated. The substitution variable is expanded in the resulting filenames into a 2-digit, fixed-width, incrementing integer starting at 01 and ending at 99. If a file specification contains two substitution variables, both are incremented at the same time. For example, `exp%Uaa%U.dmp` would resolve to `exp01aa01.dmp`, `exp02aa02.dmp`, and so forth.

If the `FILESIZE` parameter is specified, each dump file will have a maximum of that size in bytes and be nonextensible. If more space is required for the dump file set and a template with a substitution variable (`%U`) was supplied, a new dump file is automatically created of the size specified by `FILESIZE`, if there is room on the device.

As each file specification or file template containing a substitution variable is defined, it is instantiated into one fully qualified filename and Export attempts to create it. The file specifications are processed in the order in which they are specified. If the job needs extra files because the maximum file size is reached, or to keep parallel workers active, then additional files are created if file templates with substitution variables were specified.

Although it is possible to specify multiple files using the `DUMPFILE` parameter, the export job may only require a subset of those files to hold the exported data. The dump file set displayed at the end of the export job shows exactly which files were used. It is this list of files that is required in order to perform an import operation using this dump file set.

### Restrictions

- Any resulting dump file names that match preexisting dump file names will generate an error and the preexisting dump files will not be overwritten. You can override this behavior by specifying the Export parameter `REUSE_DUMPFILES=Y`.

### Example

The following is an example of using the `DUMPFILE` parameter:

```
> expdp hr SCHEMAS=hr DIRECTORY=dpump_dir1 DUMPFILE=dpump_dir2:exp1.dmp,
exp2%U.dmp PARALLEL=3
```

The dump file, `exp1.dmp`, will be written to the path associated with the directory object `dpump_dir2` because `dpump_dir2` was specified as part of the dump file name, and therefore overrides the directory object specified with the `DIRECTORY` parameter. Because all three parallel processes will be given work to perform during this job, the `exp201.dmp` and `exp202.dmp` dump files will be created and they will be written to the path associated with the directory object, `dpump_dir1`, that was specified with the `DIRECTORY` parameter.

#### See Also:

- [File Allocation](#) on page 1-10



## ENCRYPTION

Default: The default value depends upon the combination of encryption-related parameters that are used. To enable encryption, either the `ENCRYPTION` or `ENCRYPTION_PASSWORD` parameter, or both, must be specified. If only the `ENCRYPTION_PASSWORD` parameter is specified, then the `ENCRYPTION` parameter defaults to `ALL`. If neither `ENCRYPTION` nor `ENCRYPTION_PASSWORD` is specified, then `ENCRYPTION` defaults to `NONE`.

### Purpose

Specifies whether or not to encrypt data before writing it to the dump file set.

### Syntax and Description

```
ENCRYPTION = {ALL | DATA_ONLY | ENCRYPTED_COLUMNS_ONLY | METADATA_ONLY | NONE}
```

`ALL` enables encryption for all data and metadata in the export operation.

`DATA_ONLY` specifies that only data is written to the dump file set in encrypted format.

`ENCRYPTED_COLUMNS_ONLY` specifies that only encrypted columns are written to the dump file set in encrypted format.

`METADATA_ONLY` specifies that only metadata is written to the dump file set in encrypted format.

`NONE` specifies that no data is written to the dump file set in encrypted format.

---



---

**Note:** If the data being exported includes SecureFiles that you want to be encrypted, then you must specify `ENCRYPTION=ALL` to encrypt the entire dump file set. Encryption of the entire dump file set is the only way to achieve encryption security for SecureFiles during a Data Pump export operation. For more information about SecureFiles, see *Oracle Database SecureFiles and Large Objects Developer's Guide*.

---



---

### Restrictions

- To specify the `ALL`, `DATA_ONLY`, or `METADATA_ONLY` options, the `COMPATIBLE` initialization parameter must be set to at least 11.0.0.
- This parameter is valid only in the Enterprise Edition of Oracle Database 11g.

### Example

The following example performs an export operation in which only data is encrypted in the dump file:

```
> expdp hr DIRECTORY=dpump_dir1 DUMPFILE=hr_enc.dmp JOB_NAME=enc1
ENCRYPTION=data_only ENCRYPTION_PASSWORD=foobar
```

## ENCRYPTION\_ALGORITHM

Default: `AES128`

### Purpose

Specifies which cryptographic algorithm should be used to perform the encryption.

### Syntax and Description

```
ENCRYPTION_ALGORITHM = { AES128 | AES192 | AES256 }
```

See *Oracle Database Advanced Security Administrator's Guide* for information about encryption algorithms.

### Restrictions

- To use this encryption feature, the `COMPATIBLE` initialization parameter must be set to at least 11.0.0.
- The `ENCRYPTION_ALGORITHM` parameter requires that you also specify either the `ENCRYPTION` or `ENCRYPTION_PASSWORD` parameter; otherwise an error is returned.
- This parameter is valid only in the Enterprise Edition of Oracle Database 11g.

### Example

```
> expdp hr DIRECTORY=dpump_dir1 DUMPFILE=hr_enc.dmp  
ENCRYPTION_PASSWORD=foobar ENCRYPTION_ALGORITHM=AES128
```

## ENCRYPTION\_MODE

Default: The default mode depends on which other encryption-related parameters are used. If only the `ENCRYPTION` parameter is specified, then the default mode is `TRANSPARENT`. If the `ENCRYPTION_PASSWORD` parameter is specified and the Oracle Encryption Wallet is open, then the default is `DUAL`. If the `ENCRYPTION_PASSWORD` parameter is specified and the Oracle Encryption Wallet is closed, then the default is `PASSWORD`.

### Purpose

Specifies the type of security to use when encryption and decryption are performed.

### Syntax and Description

```
ENCRYPTION_MODE = { DUAL | PASSWORD | TRANSPARENT }
```

`DUAL` mode creates a dump file set that can later be imported either transparently or by specifying a password that was used when the dual-mode encrypted dump file set was created. When you later import the dump file set created in `DUAL` mode, you can use either the Oracle Encryption Wallet or the password that was specified with the `ENCRYPTION_PASSWORD` parameter. `DUAL` mode is best suited for cases in which the dump file set will be imported onsite using the Oracle Encryption Wallet, but which may also need to be imported offsite where the Oracle Encryption Wallet is not available.

`PASSWORD` mode requires that you provide a password when creating encrypted dump file sets. You will need to provide the same password when you import the dump file set. `PASSWORD` mode requires that you also specify the `ENCRYPTION_PASSWORD` parameter. The `PASSWORD` mode is best suited for cases in which the dump file set will be imported into a different or remote database, but which must remain secure in transit.

`TRANSPARENT` mode allows an encrypted dump file set to be created without any intervention from a database administrator (DBA), provided the required Oracle Encryption Wallet is available. Therefore, the `ENCRYPTION_PASSWORD` parameter is not required, and will in fact, cause an error if it is used in `TRANSPARENT` mode. This encryption mode is best suited for cases in which the dump file set will be imported into the same database from which it was exported.

## Restrictions

- To use DUAL or TRANSPARENT mode, the COMPATIBLE initialization parameter must be set to at least 11.0.0.
- When you use the ENCRYPTION\_MODE parameter, you must also use either the ENCRYPTION or ENCRYPTION\_PASSWORD parameter. Otherwise, an error is returned.
- This parameter is valid only in the Enterprise Edition of Oracle Database 11g.

## Example

```
> expdp hr DIRECTORY=dpump_dir1 DUMPFILE=hr_enc.dmp
ENCRYPTION=all ENCRYPTION_PASSWORD=secretwords
ENCRYPTION_ALGORITHM=AES256 ENCRYPTION_MODE=dual
```

## ENCRYPTION\_PASSWORD

Default: There is no default; the value is user-provided.

### Purpose

Specifies a password for encrypting encrypted column data, metadata, or table data in the export dumpfile. This prevents unauthorized access to an encrypted dump file set.

---



---

**Note:** Data Pump encryption functionality has changed as of Oracle Database 11g release 1 (11.1). Prior to release 11.1, the ENCRYPTION\_PASSWORD parameter applied only to encrypted columns. However, as of release 11.1, the new ENCRYPTION parameter provides options for encrypting other types of data. This means that if you now specify ENCRYPTION\_PASSWORD without also specifying ENCRYPTION and a specific option, then *all* data written to the dump file will be encrypted (equivalent to specifying ENCRYPTION=ALL). If you want to re-encrypt *only* encrypted columns, you must now specify ENCRYPTION=ENCRYPTED\_COLUMNS\_ONLY in addition to ENCRYPTION\_PASSWORD.

---



---

### Syntax and Description

ENCRYPTION\_PASSWORD = *password*

The *password* value that is supplied specifies a key for re-encrypting encrypted table columns, metadata, or table data so that they are not written as clear text in the dump file set. If the export operation involves encrypted table columns, but an encryption password is not supplied, then the encrypted columns will be written to the dump file set as clear text and a warning will be issued.

For export operations, this parameter is required if the ENCRYPTION\_MODE parameter is set to either PASSWORD or DUAL.

---



---

**Note:** There is no connection or dependency between the key specified with the Data Pump `ENCRYPTION_PASSWORD` parameter and the key specified with the `ENCRYPT` keyword when the table with encrypted columns was initially created. For example, suppose a table is created as follows, with an encrypted column whose key is `xyz`:

```
CREATE TABLE emp (col1 VARCHAR2(256) ENCRYPT IDENTIFIED BY "xyz");
```

When you export the `emp` table, you can supply any arbitrary value for `ENCRYPTION_PASSWORD`. It does not have to be `xyz`.

---



---

## Restrictions

- This parameter is valid only in the Enterprise Edition of Oracle Database 11g.
- If `ENCRYPTION_PASSWORD` is specified but `ENCRYPTION_MODE` is not specified, then it is not necessary to have the Transparent Data Encryption option set up since `ENCRYPTION_MODE` will default to `PASSWORD`.
- The `ENCRYPTION_PASSWORD` parameter is not valid if the requested encryption mode is `TRANSPARENT`.
- To use the `ENCRYPTION_PASSWORD` parameter if `ENCRYPTION_MODE` is set to `DUAL`, you must have the Transparent Data Encryption option set up. See *Oracle Database Advanced Security Administrator's Guide* for more information about the Transparent Data Encryption option.
- For network exports, the `ENCRYPTION_PASSWORD` parameter in conjunction with `ENCRYPTED_COLUMNS_ONLY` is not supported with user-defined external tables that have encrypted columns. The table will be skipped and an error message will be displayed, but the job will continue.
- Encryption attributes for all columns must match between the exported table definition and the target table. For example, suppose you have a table, `EMP`, and one of its columns is named `EMPNO`. Both of the following situations would result in an error because the encryption attribute for the `EMP` column in the source table would not match the encryption attribute for the `EMP` column in the target table:
  - The `EMP` table is exported with the `EMPNO` column being encrypted, but prior to importing the table you remove the encryption attribute from the `EMPNO` column.
  - The `EMP` table is exported without the `EMPNO` column being encrypted, but prior to importing the table you enable encryption on the `EMPNO` column.

## Example

In the following example, an encryption password, `123456`, is assigned to the dump file, `dpd2be1.dmp`.

```
expdp hr TABLES=employee_s_encrypt DIRECTORY=dpump_dir
DUMPFILE=dpd2be1.dmp ENCRYPTION=ENCRYPTED_COLUMNS_ONLY
ENCRYPTION_PASSWORD=123456
```

Encrypted columns in the `employee_s_encrypt` table, will not be written as clear text in the `dpd2be1.dmp` dump file. Note that in order to subsequently import the `dpd2be1.dmp` file created by this example, you will need to supply the same encryption password. (See "[ENCRYPTION\\_PASSWORD](#)" on page 3-12 for an example of an import operation using the `ENCRYPTION_PASSWORD` parameter.)

## ESTIMATE

Default: BLOCKS

### Purpose

Specifies the method that Export will use to estimate how much disk space each table in the export job will consume (in bytes). The estimate is printed in the log file and displayed on the client's standard output device. The estimate is for table row data only; it does not include metadata.

### Syntax and Description

ESTIMATE={BLOCKS | STATISTICS}

- **BLOCKS** - The estimate is calculated by multiplying the number of database blocks used by the source objects, times the appropriate block sizes.
- **STATISTICS** - The estimate is calculated using statistics for each table. For this method to be as accurate as possible, all tables should have been analyzed recently.

### Restrictions

- If the Data Pump export job involves compressed tables, the default size estimation given for the compressed table is inaccurate when `ESTIMATE=BLOCKS` is used. This is because the size estimate does not reflect that the data was stored in a compressed form. To get a more accurate size estimate for compressed tables, use `ESTIMATE=STATISTICS`.
- The estimate may also be inaccurate if the `QUERY`, `SAMPLE`, or `REMAP_DATA` parameter is used.

### Example

The following example shows a use of the `ESTIMATE` parameter in which the estimate is calculated using statistics for the `employees` table:

```
> expdp hr TABLES=employees ESTIMATE=STATISTICS DIRECTORY=dpump_dir1
DUMPFIL=estimate_stat.dmp
```

## ESTIMATE\_ONLY

Default: n

### Purpose

Instructs Export to estimate the space that a job would consume, without actually performing the export operation.

### Syntax and Description

ESTIMATE\_ONLY={y | n}

If `ESTIMATE_ONLY=y`, then Export estimates the space that would be consumed, but quits without actually performing the export operation.

### Example

The following shows an example of using the `ESTIMATE_ONLY` parameter to determine how much space an export of the `HR` schema will take.

```
> expdp hr ESTIMATE_ONLY=y NOLOGFILE=y SCHEMAS=HR
```

## EXCLUDE

Default: There is no default

### Purpose

Enables you to filter the metadata that is exported by specifying objects and object types that you want excluded from the export operation.

### Syntax and Description

```
EXCLUDE=object_type[:name_clause] [, ...]
```

All object types for the given mode of export will be included except those specified in an EXCLUDE statement. If an object is excluded, all of its dependent objects are also excluded. For example, excluding a table will also exclude all indexes and triggers on the table.

The *name\_clause* is optional. It allows selection of specific objects within an object type. It is a SQL expression used as a filter on the type's object names. It consists of a SQL operator and the values against which the object names of the specified type are to be compared. The name clause applies only to object types whose instances have names (for example, it is applicable to TABLE, but not to GRANT). The name clause must be separated from the object type with a colon and enclosed in double quotation marks, because single-quotation marks are required to delimit the name strings. For example, you could set EXCLUDE=INDEX: "LIKE 'EMP%' " to exclude all indexes whose names start with EMP.

If no *name\_clause* is provided, all objects of the specified type are excluded.

More than one EXCLUDE statement can be specified.

Oracle recommends that you place EXCLUDE clauses in a parameter file to avoid having to use escape characters on the command line.

#### See Also:

- [INCLUDE](#) on page 2-23 for an example of using a parameter file
- [Use of Quotation Marks On the Data Pump Command Line](#) on page 2-7

If the *object\_type* you specify is CONSTRAINT, GRANT, or USER, you should be aware of the effects this will have, as described in the following paragraphs.

### Excluding Constraints

The following constraints cannot be explicitly excluded:

- NOT NULL constraints
- Constraints needed for the table to be created and loaded successfully; for example, primary key constraints for index-organized tables, or REF SCOPE and WITH ROWID constraints for tables with REF columns

This means that the following EXCLUDE statements will be interpreted as follows:

- `EXCLUDE=CONSTRAINT` will exclude all (nonreferential) constraints, except for `NOT NULL` constraints and any constraints needed for successful table creation and loading.
- `EXCLUDE=REF_CONSTRAINT` will exclude referential integrity (foreign key) constraints.

### Excluding Grants and Users

Specifying `EXCLUDE=GRANT` excludes object grants on all object types and system privilege grants.

Specifying `EXCLUDE=USER` excludes only the definitions of users, not the objects contained within users' schemas.

To exclude a specific user and all objects of that user, specify a filter such as the following (where `hr` is the schema name of the user you want to exclude):

```
EXCLUDE=SCHEMA: '=' HR ' '
```

If you try to exclude a user by using a statement such as `EXCLUDE=USER: '=' HR ' '`, then only the information used in `CREATE USER hr` DDL statements will be excluded, and you may not get the results you expect.

### Restrictions

- The `EXCLUDE` and `INCLUDE` parameters are mutually exclusive.

### Example

The following is an example of using the `EXCLUDE` statement.

```
> expdp hr DIRECTORY=dpump_dir1 DUMPFILE=hr_exclude.dmp EXCLUDE=VIEW,
PACKAGE, FUNCTION
```

This will result in a schema-mode export in which all of the `hr` schema will be exported except its views, packages, and functions.

#### See Also:

- [Filtering During Export Operations](#) on page 2-5 for more information about the effects of using the `EXCLUDE` parameter

## FILESIZE

Default: 0 (unlimited)

### Purpose

Specifies the maximum size of each dump file. If the size is reached for any member of the dump file set, that file is closed and an attempt is made to create a new file, if the file specification contains a substitution variable.

### Syntax and Description

```
FILESIZE=integer[B | K | M | G]
```

The *integer* can be followed by `B`, `K`, `M`, or `G` (indicating bytes, kilobytes, megabytes, and gigabytes respectively). Bytes is the default. The actual size of the resulting file may be rounded down slightly to match the size of the internal blocks used in dump files.

**Restrictions**

- The minimum size for a file is ten times the default Data Pump block size, which is 4 kilobytes.

**Example**

The following shows an example in which the size of the dump file is set to 3 megabytes:

```
> expdp hr DIRECTORY=dpump_dir1 DUMPFILE=hr_3m.dmp FILESIZE=3M
```

If three megabytes had not been sufficient to hold all the exported data, then the following error would have been displayed and the job would have stopped:

```
ORA-39095: Dump file space has been exhausted: Unable to allocate 217088 bytes
```

The actual number of bytes that could not be allocated may vary. Also, this number does not represent the amount of space needed to complete the entire export operation. It indicates only the size of the current object that was being exported when the job ran out of dump file space.

This situation can be corrected by first attaching to the stopped job, adding one or more files using the `ADD_FILE` command, and then restarting the operation.

**FLASHBACK\_SCN**

Default: There is no default

**Purpose**

Specifies the system change number (SCN) that Export will use to enable the Flashback Query utility.

**Syntax and Description**

```
FLASHBACK_SCN=scn_value
```

The export operation is performed with data that is consistent as of the specified SCN. If the `NETWORK_LINK` parameter is specified, the SCN refers to the SCN of the source database.

**Restrictions**

- `FLASHBACK_SCN` and `FLASHBACK_TIME` are mutually exclusive.
- The `FLASHBACK_SCN` parameter pertains only to the Flashback Query capability of Oracle Database. It is not applicable to Flashback Database, Flashback Drop, or Flashback Data Archive.

**Example**

The following example assumes that an existing SCN value of 384632 exists. It exports the `hr` schema up to SCN 384632.

```
> expdp hr DIRECTORY=dpump_dir1 DUMPFILE=hr_scn.dmp FLASHBACK_SCN=384632
```



---



---

**Note:** If you are on a logical standby system and using a network link to access the logical standby primary, the `FLASHBACK_SCN` parameter is ignored because SCNs are selected by logical standby. See *Oracle Data Guard Concepts and Administration* for information about logical standby databases.

---



---

## FLASHBACK\_TIME

Default: There is no default

### Purpose

The SCN that most closely matches the specified time is found, and this SCN is used to enable the Flashback utility. The export operation is performed with data that is consistent as of this SCN.

### Syntax and Description

```
FLASHBACK_TIME="TO_TIMESTAMP (time-value) "
```

Because the `TO_TIMESTAMP` value is enclosed in quotation marks, it would be best to put this parameter in a parameter file. Otherwise, you might need to use escape characters on the command line in front of the quotation marks. See [Use of Quotation Marks On the Data Pump Command Line](#) on page 2-7.

### Restrictions

- `FLASHBACK_TIME` and `FLASHBACK_SCN` are mutually exclusive.
- The `FLASHBACK_TIME` parameter pertains only to the flashback query capability of Oracle Database. It is not applicable to Flashback Database, Flashback Drop, or Flashback Data Archive.

### Example

You can specify the time in any format that the `DBMS_FLASHBACK.ENABLE_AT_TIME` procedure accepts. For example, suppose you have a parameter file, `flashback.par`, with the following contents:

```
DIRECTORY=dpump_dir1
DUMPFILE=hr_time.dmp
FLASHBACK_TIME="TO_TIMESTAMP('25-08-2003 14:35:00', 'DD-MM-YYYY HH24:MI:SS')"
```

You could then issue the following command:

```
> expdp hr PARFILE=flashback.par
```

The export operation will be performed with data that is consistent with the SCN that most closely matches the specified time.

---



---

**Note:** If you are on a logical standby system and using a network link to access the logical standby primary, the `FLASHBACK_SCN` parameter is ignored because SCNs are selected by logical standby. See *Oracle Data Guard Concepts and Administration* for information about logical standby databases.

---



---

**See Also:** *Oracle Database Advanced Application Developer's Guide* for information about using Flashback Query

## FULL

Default: n

### Purpose

Specifies that you want to perform a full database mode export.

### Syntax and Description

FULL={y | n}

FULL=y indicates that all data and metadata are to be exported. Filtering can restrict what is exported using this export mode. See [Filtering During Export Operations](#) on page 2-5.

To perform a full export, you must have the EXP\_FULL\_DATABASE role.

---

---

**Note:** Be aware that when you later import a dump file that was created by a full-mode export, the import operation attempts to copy the password for the SYS account from the source database. This sometimes fails (for example, if the password is in a shared password file). If it does fail, then after the import completes, you must set the password for the SYS account at the target database to a password of your choice

---

---

### Restrictions

- A full export does not export system schemas that contain Oracle-managed data and metadata. Examples of system schemas that are not exported include SYS, ORDSYS, and MDSYS.
- Grants on objects owned by the SYS schema are never exported.
- If you are exporting data that is protected by a realm, you must have authorization for that realm.

**See Also:** *Oracle Database Vault Administrator's Guide* for information about configuring realms

### Example

The following is an example of using the FULL parameter. The dump file, expfull.dmp is written to the dpump\_dir2 directory.

```
> expdp hr DIRECTORY=dpump_dir2 DUMPFILE=expfull.dmp FULL=y NOLOGFILE=y
```

## HELP

Default: N

### Purpose

Displays online help for the Export utility.

## Syntax and Description

```
HELP = {y | n}
```

If `HELP=y` is specified, Export displays a summary of all Export command-line parameters and interactive commands.

## Example

```
> expdp HELP = y
```

This example will display a brief description of all Export parameters and commands.

## INCLUDE

Default: There is no default

## Purpose

Enables you to filter the metadata that is exported by specifying objects and object types for the current export mode. The specified objects and all their dependent objects are exported. Grants on these objects are also exported.

## Syntax and Description

```
INCLUDE = object_type[:name_clause] [, ...]
```

Only object types explicitly specified in `INCLUDE` statements, and their dependent objects, are exported. No other object types, including the schema definition information that is normally part of a schema-mode export when you have the `EXP_FULL_DATABASE` role, are exported.

To see a list of valid paths for use with the `INCLUDE` parameter, you can query the following views: `DATABASE_EXPORT_OBJECTS` for Full mode, `SCHEMA_EXPORT_OBJECTS` for schema mode, and `TABLE_EXPORT_OBJECTS` for table and tablespace mode.

The *name\_clause* is optional. It allows fine-grained selection of specific objects within an object type. It is a SQL expression used as a filter on the object names of the type. It consists of a SQL operator and the values against which the object names of the specified type are to be compared. The name clause applies only to object types whose instances have names (for example, it is applicable to `TABLE`, but not to `GRANT`). The optional name clause must be separated from the object type with a colon and enclosed in double quotation marks, because single-quotation marks are required to delimit the name strings.

Oracle recommends that `INCLUDE` statements be placed in a parameter file; otherwise you might have to use operating system-specific escape characters on the command line before quotation marks. See [Use of Quotation Marks On the Data Pump Command Line](#) on page 2-7.

For example, suppose you have a parameter file named `hr.par` with the following content:

```
SCHEMAS=HR
DUMPFILE=expinclude.dmp
DIRECTORY=dpump_dir1
LOGFILE=expinclude.log
INCLUDE=TABLE:"IN ('EMPLOYEES', 'DEPARTMENTS') "
INCLUDE=PROCEDURE
INCLUDE=INDEX:"LIKE 'EMP%'"
```

You could then use the `hr.par` file to start an export operation, without having to enter any other parameters on the command line:

```
> expdp hr parfile=hr.par
```

### Including Constraints

If the *object\_type* you specify is a `CONSTRAINT`, you should be aware of the effects this will have.

The following constraints cannot be explicitly included:

- `NOT NULL` constraints
- Constraints needed for the table to be created and loaded successfully; for example, primary key constraints for index-organized tables, or `REF SCOPE` and `WITH ROWID` constraints for tables with `REF` columns

This means that the following `INCLUDE` statements will be interpreted as follows:

- `INCLUDE=CONSTRAINT` will include all (nonreferential) constraints, except for `NOT NULL` constraints and any constraints needed for successful table creation and loading.
- `INCLUDE=REF_CONSTRAINT` will include referential integrity (foreign key) constraints.

### Restrictions

- The `INCLUDE` and `EXCLUDE` parameters are mutually exclusive.
- Grants on objects owned by the `SYS` schema are never exported.

### Example

The following example performs an export of all tables (and their dependent objects) in the `hr` schema:

```
> expdp hr INCLUDE=TABLE DUMPFILE=dpump_dir1:exp_inc.dmp NOLOGFILE=y
```

## JOB\_NAME

Default: system-generated name of the form `SYS_EXPORT_<mode>_NN`

### Purpose

Used to identify the export job in subsequent actions, such as when the `ATTACH` parameter is used to attach to a job, or to identify the job using the `DBA_DATAPUMP_JOBS` or `USER_DATAPUMP_JOBS` views. The job name becomes the name of the master table in the current user's schema. The master table is used to control the export job.

### Syntax and Description

`JOB_NAME=jobname_string`

The *jobname\_string* specifies a name of up to 30 bytes for this export job. The bytes must represent printable characters and spaces. If spaces are included, the name must be enclosed in single quotation marks (for example, 'Thursday Export'). The job name is implicitly qualified by the schema of the user performing the export operation.

The default job name is system-generated in the form `SYS_EXPORT_<mode>_NN`, where `NN` expands to a 2-digit incrementing integer starting at 01. An example of a default name is `'SYS_EXPORT_TABLESPACE_02'`.

## Example

The following example shows an export operation that is assigned a job name of `exp_job`:

```
> expdp hr DIRECTORY=dpump_dir1 DUMPFILE=exp_job.dmp JOB_NAME=exp_job
NOLOGFILE=y
```

## LOGFILE

Default: `export.log`

### Purpose

Specifies the name, and optionally, a directory, for the log file of the export job.

### Syntax and Description

```
LOGFILE=[directory_object:]file_name
```

You can specify a database *directory\_object* previously established by the DBA, assuming that you have access to it. This overrides the directory object specified with the `DIRECTORY` parameter.

The *file\_name* specifies a name for the log file. The default behavior is to create a file named `export.log` in the directory referenced by the directory object specified in the `DIRECTORY` parameter.

All messages regarding work in progress, work completed, and errors encountered are written to the log file. (For a real-time status of the job, use the `STATUS` command in interactive mode.)

A log file is always created for an export job unless the `NOLOGFILE` parameter is specified. As with the dump file set, the log file is relative to the server and not the client.

An existing file matching the filename will be overwritten.

### Restrictions

- To perform a Data Pump Export using Automatic Storage Management (ASM), you must specify a `LOGFILE` parameter that includes a directory object that does not include the ASM + notation. That is, the log file must be written to a disk file, and not written into the ASM storage. Alternatively, you can specify `NOLOGFILE=Y`. However, this prevents the writing of the log file.

### Example

The following example shows how to specify a log file name if you do not want to use the default:

```
> expdp hr DIRECTORY=dpump_dir1 DUMPFILE=hr.dmp LOGFILE=hr_export.log
```

---



---

**Note:** Data Pump Export writes the log file using the database character set. If your client `NLS_LANG` environment setting sets up a different client character set from the database character set, then it is possible that table names may be different in the log file than they are when displayed on the client output screen.

---



---

**See Also:**

- [STATUS](#) on page 2-33
- [Using Directory Objects When Automatic Storage Management Is Enabled](#) on page 1-12 for information about Automatic Storage Management and directory objects

## NETWORK\_LINK

Default: There is no default

### Purpose

Enables an export from a (source) database identified by a valid database link. The data from the source database instance is written to a dump file set on the connected database instance.

### Syntax and Description

`NETWORK_LINK=source_database_link`

The `NETWORK_LINK` parameter initiates an export using a database link. This means that the system to which the `expdp` client is connected contacts the source database referenced by the `source_database_link`, retrieves data from it, and writes the data to a dump file set back on the connected system.

The `source_database_link` provided must be the name of a database link to an available database. If the database on that instance does not already have a database link, you or your DBA must create one. For more information about the `CREATE DATABASE LINK` statement, see *Oracle Database SQL Language Reference*.

If the source database is read-only, then the user on the source database must have a locally managed tablespace assigned as the default temporary tablespace. Otherwise, the job will fail. For further details about this, see the information about creating locally managed temporary tablespaces in the *Oracle Database Administrator's Guide*.

---

---

**Caution:** If an export operation is performed over an unencrypted network link, then all data is exported as clear text even if it is encrypted in the database. See *Oracle Database Advanced Security Administrator's Guide* for information about network security.

---

---

### Restrictions

- When the `NETWORK_LINK` parameter is used in conjunction with the `TABLES` parameter, only whole tables can be exported (not partitions of tables).
- The only types of database links supported by Data Pump Export are: public, fixed-user, and connected-user. Current-user database links are not supported.

### Example

The following is an example of using the `NETWORK_LINK` parameter. The `source_database_link` would be replaced with the name of a valid database link that must already exist.

```
> expdp hr DIRECTORY=dpump_dir1 NETWORK_LINK=source_database_link
DUMPFILE=network_export.dmp LOGFILE=network_export.log
```

## NOLOGFILE

Default: n

### Purpose

Specifies whether to suppress creation of a log file.

### Syntax and Description

NOLOGFILE={y | n}

Specify NOLOGFILE=y to suppress the default behavior of creating a log file. Progress and error information is still written to the standard output device of any attached clients, including the client that started the original export operation. If there are no clients attached to a running job and you specify NOLOGFILE=y, you run the risk of losing important progress and error information.

### Example

The following is an example of using the NOLOGFILE parameter:

```
> expdp hr DIRECTORY=dpump_dir1 DUMPFILE=hr.dmp NOLOGFILE=y
```

This command results in a schema-mode export in which no log file is written.

## PARALLEL

Default: 1

### Purpose

Specifies the maximum number of threads of active execution operating on behalf of the export job. This execution set consists of a combination of worker processes and parallel I/O server processes. The master control process and worker processes acting as query coordinators in parallel query operations do not count toward this total.

This parameter enables you to make trade-offs between resource consumption and elapsed time.

### Syntax and Description

PARALLEL=*integer*

The value you specify for *integer* should be less than, or equal to, the number of files in the dump file set (or you should specify substitution variables in the dump file specifications). Because each active worker process or I/O server process writes exclusively to one file at a time, an insufficient number of files can have adverse effects. Some of the worker processes will be idle while waiting for files, thereby degrading the overall performance of the job. More importantly, if any member of a cooperating group of parallel I/O server processes cannot obtain a file for output, then the export operation will be stopped with an ORA-39095 error. Both situations can be corrected by attaching to the job using the Data Pump Export utility, adding more files using the ADD\_FILE command while in interactive mode, and in the case of a stopped job, restarting the job.

To increase or decrease the value of PARALLEL during job execution, use interactive-command mode. Decreasing parallelism does not result in fewer worker processes associated with the job; it merely decreases the number of worker processes that will be executing at any given time. Also, any ongoing work must reach an orderly completion point before the decrease takes effect. Therefore, it may take a

while to see any effect from decreasing the value. Idle workers are not deleted until the job exits.

Increasing the parallelism takes effect immediately if there is work that can be performed in parallel.

**See Also:** [Controlling Resource Consumption](#) on page 4-2

### Restrictions

- This parameter is valid only in the Enterprise Edition of Oracle Database 11g.

### Example

The following is an example of using the `PARALLEL` parameter:

```
> expdp hr DIRECTORY=dpump_dir1 LOGFILE=parallel_export.log
JOB_NAME=par4_job DUMPFILE=par_exp%u.dmp PARALLEL=4
```

This results in a schema-mode export of the `hr` schema in which up to four files could be created in the path pointed to by the directory object, `dpump_dir1`.

### See Also:

- [DUMPFILE](#) on page 2-11
- [Commands Available in Export's Interactive-Command Mode](#) on page 2-41
- [Performing a Parallel Full Database Export](#) on page 2-47

## PARFILE

Default: There is no default

### Purpose

Specifies the name of an export parameter file.

### Syntax and Description

```
PARFILE=[directory_path] file_name
```

Unlike dump and log files, which are created and written by the Oracle database, the parameter file is opened and read by the client running the `expdp` image. Therefore, a directory object name is neither required nor appropriate. The directory path is an operating system-specific directory specification. The default is the user's current directory.

The use of parameter files is highly recommended if you are using parameters whose values require the use of quotation marks. See [Use of Quotation Marks On the Data Pump Command Line](#) on page 2-7.

### Restrictions

- The `PARFILE` parameter cannot be specified within a parameter file.

### Example

The content of an example parameter file, `hr.par`, might be as follows:

```
SCHEMAS=HR
DUMPFILE=exp.dmp
```



```
DIRECTORY=dpump_dir1
LOGFILE=exp.log
```

You could then issue the following Export command to specify the parameter file:

```
> expdp hr parfile=hr.par
```

## QUERY

Default: There is no default

### Purpose

Allows you to specify a query clause that is used to filter the data that gets exported.

### Syntax and Description

```
QUERY = [schema.][table_name:] query_clause
```

The *query\_clause* is typically a SQL WHERE clause for fine-grained row selection, but could be any SQL clause. For example, an ORDER BY clause could be used to speed up a migration from a heap-organized table to an index-organized table. If a schema and table name are not supplied, the query is applied to (and must be valid for) all tables in the export job. A table-specific query overrides a query applied to all tables.

When the query is to be applied to a specific table, a colon must separate the table name from the query clause. More than one table-specific query can be specified, but only one query can be specified per table.

The query must be enclosed in single or double quotation marks. Double quotation marks are recommended, because strings within the clause must be enclosed in single quotation marks. Oracle recommends that you place QUERY specifications in a parameter file to avoid having to use operating system-specific escape characters on the command line. See [Use of Quotation Marks On the Data Pump Command Line](#) on page 2-7.

To specify a schema other than your own in a table-specific query, you must be granted access to that specific table.

### Restrictions

- The QUERY parameter cannot be used in conjunction with the following parameters:
  - CONTENT=METADATA\_ONLY
  - ESTIMATE\_ONLY
  - TRANSPORT\_TABLESPACES
- When the QUERY parameter is specified for a table, Data Pump uses external tables to unload the target table. External tables uses a SQL CREATE TABLE AS SELECT statement. The value of the QUERY parameter is the WHERE clause in the SELECT portion of the CREATE TABLE statement. If the QUERY parameter includes references to another table with columns whose names match the table being unloaded, and if those columns are used in the query, then you will need to use a table alias to distinguish between columns in the table being unloaded and columns in the SELECT statement with the same name. The table alias used by Data Pump for the table being unloaded is KUS.

For example, suppose you want to export a subset of the sh.sales table based on the credit limit for a customer in the sh.customers table. In the following

example, `KU$` is used to qualify the `cust_id` field in the `QUERY` parameter for unloading `sh.sales`. As a result, Data Pump exports only rows for customers whose credit limit is greater than \$10,000.

```
QUERY='sales:"WHERE EXISTS (SELECT cust_id FROM customers c
WHERE cust_credit_limit > 10000 AND ku$.cust_id = c.cust_id)''
```

If, as in the following query, `KU$` is not used for a table alias, the result will be that all rows are unloaded:

```
QUERY='sales:"WHERE EXISTS (SELECT cust_id FROM customers c
WHERE cust_credit_limit > 10000 AND cust_id = c.cust_id)''
```

### Example

The following is an example of using the `QUERY` parameter:

```
> expdp hr parfile=emp_query.par
```

The contents of the `emp_query.par` file are as follows:

```
QUERY=employees:"WHERE department_id > 10 AND salary > 10000"
NOLOGFILE=y
DIRECTORY=dpump_dir1
DUMPFILE=exp1.dmp
```

This example unloads all tables in the `hr` schema, but only the rows that fit the query expression. In this case, all rows in all tables (except `employees`) in the `hr` schema will be unloaded. For the `employees` table, only rows that meet the query criteria are unloaded.

## REMAP\_DATA

Default: There is no default

### Purpose

The `REMAP_DATA` parameter allows you to specify a remap function that takes as a source the original value of the designated column and returns a remapped value that will replace the original value in the dump file. A common use for this option is to mask data when moving from a production system to a test system. For example, a column of sensitive customer data such as credit card numbers could be replaced with numbers generated by a `REMAP_DATA` function. This would allow the data to retain its essential formatting and processing characteristics without exposing private data to unauthorized personnel.

The same function can be applied to multiple columns being dumped. This is useful when you want to guarantee consistency in remapping both the child and parent column in a referential constraint.

### Syntax and Description

```
REMAP_DATA=[schema.] tablename.column_name: [schema.] pkg.function
```

The description of each syntax element, in the order in which they appear in the syntax, is as follows:

*schema1* -- the schema containing the table to be remapped. By default, this is the schema of the user doing the export.

*tablename* -- the table whose column will be remapped.

*column\_name* -- the column whose data is to be remapped.

*schema2* -- the schema containing the PL/SQL package you have created that contains the remapping function. As a default, this is the schema of the user doing the export.

*pkg* -- the name of the PL/SQL package you have created that contains the remapping function.

*function* -- the name of the function within the PL/SQL that will be called to remap the column table in each row of the specified table.

### Restrictions

- The data types of the source argument and the returned value should both match the data type of the designated column in the table.
- Remapping functions should not perform commits or rollbacks.

### Example

The following example assumes a package named `remap` has been created that contains functions named `minus10` and `plusx` which change the values for `employee_id` and `first_name` in the `employees` table.

```
> expdp hr DIRECTORY=dpump_dir1 DUMPFILE=remap1.dmp TABLES=employees
REMAP_DATA=hr.employees.employee_id:hr.remap.minus10
REMAP_DATA=hr.employees.first_name:hr.remap.plusx
```

## REUSE\_DUMPFILLES

Default: N

### Purpose

Specifies whether or not to overwrite a preexisting dump file.

### Syntax and Description

```
REUSE_DUMPFILLES={Y | N}
```

Normally, Data Pump Export will return an error if you specify a dump file name that already exists. The `REUSE_DUMPFILLES` parameter allows you to override that behavior and reuse a dump file name. For example, if you performed an export and specified `DUMPFILE=hr.dmp` and `REUSE_DUMPFILLES=Y`, then `hr.dmp` would be overwritten if it already existed. Its previous contents would be lost and it would contain data for the current export instead.

### Example

The following export operation creates a dump file named `enc1.dmp`, even if a dump file with that name already exists.

```
> expdp hr DIRECTORY=dpump_dir1 DUMPFILE=enc1.dmp
TABLES=employees REUSE_DUMPFILLES=y
```

## SAMPLE

Default: There is no default

## Purpose

Allows you to specify a percentage of the data blocks to be sampled and unloaded from the source database.

## Syntax and Description

```
SAMPLE=[[schema_name.]table_name:]sample_percent
```

This parameter allows you to export subsets of data by specifying the percentage of data to be sampled and exported. The `sample_percent` indicates the probability that a block of rows will be selected as part of the sample. It does not mean that the database will retrieve exactly that amount of rows from the table. The value you supply for `sample_percent` can be anywhere from .000001 up to, but not including, 100.

The `sample_percent` can be applied to specific tables. In the following example, 50% of the `HR.EMPLOYEES` table will be exported:

```
SAMPLE="HR"."EMPLOYEES":50
```

If you specify a schema, you must also specify a table. However, you can specify a table without specifying a schema; the current user will be assumed. If no table is specified, then the `sample_percent` value applies to the entire export job.

Note that you can use this parameter in conjunction with the Data Pump Import `PCTSPACE` transform, so that the size of storage allocations matches the sampled data subset. (See [TRANSFORM](#) on page 3-36.)

## Restrictions

- The `SAMPLE` parameter is not valid for network exports.

## Example

In the following example, the value 70 for `SAMPLE` is applied to the entire export job because no table name is specified.

```
> expdp hr DIRECTORY=dpump_dir1 DUMPFILE=sample.dmp SAMPLE=70
```

## SCHEMAS

Default: current user's schema

## Purpose

Specifies that you want to perform a schema-mode export. This is the default mode for Export.

## Syntax and Description

```
SCHEMAS=schema_name [, ...]
```

If you have the `EXP_FULL_DATABASE` role, then you can specify a single schema other than your own or a list of schema names. The `EXP_FULL_DATABASE` role also allows you to export additional nonschema object information for each specified schema so that the schemas can be re-created at import time. This additional information includes the user definitions themselves and all associated system and role grants, user password history, and so on. Filtering can further restrict what is exported using schema mode (see [Filtering During Export Operations](#) on page 2-5).

**Restrictions**

- If you do not have the `EXP_FULL_DATABASE` role, then you can specify only your own schema.
- The `SYS` schema cannot be used as a source schema for export jobs.

**Example**

The following is an example of using the `SCHEMAS` parameter. Note that user `hr` is allowed to specify more than one schema because the `EXP_FULL_DATABASE` role was previously assigned to it for the purpose of these examples.

```
> expdp hr DIRECTORY=dpump_dir1 DUMPFILE=expdat.dmp SCHEMAS=hr,sh,oe
```

This results in a schema-mode export in which the schemas, `hr`, `sh`, and `oe` will be written to the `expdat.dmp` dump file located in the `dpump_dir1` directory.

**STATUS**

Default: 0

**Purpose**

Specifies the frequency at which the job status display is updated.

**Syntax and Description**

```
STATUS=[integer]
```

If you supply a value for *integer*, it specifies how frequently, in seconds, job status should be displayed in logging mode. If no value is entered or if the default value of 0 is used, no additional information is displayed beyond information about the completion of each object type, table, or partition.

This status information is written only to your standard output device, not to the log file (if one is in effect).

**Example**

The following is an example of using the `STATUS` parameter.

```
> expdp hr DIRECTORY=dpump_dir1 SCHEMAS=hr,sh STATUS=300
```

This example will export the `hr` and `sh` schemas and display the status of the export every 5 minutes (60 seconds x 5 = 300 seconds).

**TABLES**

Default: There is no default

**Purpose**

Specifies that you want to perform a table-mode export.

**Syntax and Description**

```
TABLES=[schema_name.]table_name[:partition_name] [, ...]
```

Filtering can restrict what is exported using this mode (see [Filtering During Export Operations](#) on page 2-5). You can filter the data and metadata that is exported, by specifying a comma-delimited list of tables and partitions or subpartitions. If a

partition name is specified, it must be the name of a partition or subpartition in the associated table. Only the specified set of tables, partitions, and their dependent objects are unloaded.

The table name that you specify can be preceded by a qualifying schema name. All table names specified must reside in the same schema. The schema defaults to that of the current user. To specify a schema other than your own, you must have the `EXP_FULL_DATABASE` role.

The use of wildcards is supported for one table name per export operation. For example, `TABLES=emp%` would export all tables having names that start with 'EMP'.

### Using the Transportable Option During Table-Mode Export

To use the transportable option during a table-mode export, specify the `TRANSPORTABLE=ALWAYS` parameter in conjunction with the `TABLES` parameter. Metadata for the specified tables, partitions, or subpartitions is exported to the dump file. To move the actual data, you copy the data files to the target database.

When partitioned tables are exported using the transportable method, each partition and subpartition is promoted to its own table. During the subsequent import operation, the new table is automatically named by combining the table and partition name (that is, `tablename_partitionname`). You can override this automatic naming by using the Import `REMAP_TABLE` parameter.

#### See Also:

- [TRANSPORTABLE](#) on page 2-37
- The Import [REMAP\\_TABLE](#) command on page 3-28
- [Using Data File Copying to Move Data](#) on page 1-3

### Restrictions

- Cross-schema references are not exported. For example, a trigger defined on a table within one of the specified schemas, but that resides in a schema not explicitly specified, is not exported.
- Types used by the table are *not* exported in table mode. This means that if you subsequently import the dump file and the `TYPE` does not already exist in the destination database, the table creation will fail.
- The use of synonyms as values for the `TABLES` parameter is not supported. For example, if the `regions` table in the `hr` schema had a synonym of `regn`, it would not be valid to use `TABLES=regn`. An error would be returned.
- The export of individual table partitions is not supported when the `NETWORK_LINK` parameter is used.
- The export of tables that include wildcards in the table name is not supported if the table has partitions.
- The length of the table name list specified for the `TABLES` parameter is limited to a maximum of 4MB, unless you are using the `NETWORK_LINK` parameter to a 10.2.0.3 or earlier database or to a read-only database. In such cases, the limit is 4KB.
- You can only specify partitions from one table if `TRANSPORTABLE=ALWAYS` is also set on the export.

## Examples

The following example shows a simple use of the `TABLES` parameter to export three tables found in the `hr` schema: `employees`, `jobs`, and `departments`. Because user `hr` is exporting tables found in the `hr` schema, the schema name is not needed before the table names.

```
> expdp hr DIRECTORY=dpump_dir1 DUMPFILE=tables.dmp
TABLES=employees,jobs,departments
```

The following example assumes that user `hr` has the `EXP_FULL_DATABASE` role. It shows the use of the `TABLES` parameter to export partitions.

```
> expdp hr DIRECTORY=dpump_dir1 DUMPFILE=tables_part.dmp
TABLES=sh.sales:sales_Q1_2000,sh.sales:sales_Q2_2000
```

This example exports the partitions, `sales_Q1_2000` and `sales_Q2_2000`, from the table `sales` in the schema `sh`.

## TABLESPACES

Default: There is no default

### Purpose

Specifies a list of tablespace names to be exported in tablespace mode.

### Syntax and Description

```
TABLESPACES=tablespace_name [, ...]
```

In tablespace mode, only the tables contained in a specified set of tablespaces are unloaded. If a table is unloaded, its dependent objects are also unloaded. Both object metadata and data are unloaded. If any part of a table resides in the specified set, then that table and all of its dependent objects are exported. Privileged users get all tables. Nonprivileged users get only the tables in their own schemas

Filtering can restrict what is exported using this mode (see [Filtering During Export Operations](#) on page 2-5).

### Restrictions

- The length of the tablespace name list specified for the `TABLESPACES` parameter is limited to a maximum of 4MB, unless you are using the `NETWORK_LINK` parameter to a 10.2.0.3 or earlier database or to a read-only database. In such cases, the limit is 4KB.

### Example

The following is an example of using the `TABLESPACES` parameter. The example assumes that tablespaces `tbs_4`, `tbs_5`, and `tbs_6` already exist.

```
> expdp hr DIRECTORY=dpump_dir1 DUMPFILE=tbs.dmp
TABLESPACES=tbs_4, tbs_5, tbs_6
```

This results in a tablespace export in which tables (and their dependent objects) from the specified tablespaces (`tbs_4`, `tbs_5`, and `tbs_6`) will be unloaded.

## TRANSPORT\_FULL\_CHECK

Default: n

**Purpose**

Specifies whether or not to check for dependencies between those objects inside the transportable set and those outside the transportable set. This parameter is applicable only to a transportable-tablespace mode export.

**Syntax and Description**

```
TRANSPORT_FULL_CHECK={y | n}
```

If `TRANSPORT_FULL_CHECK=y`, then Export verifies that there are no dependencies between those objects inside the transportable set and those outside the transportable set. The check addresses two-way dependencies. For example, if a table is inside the transportable set but its index is not, a failure is returned and the export operation is terminated. Similarly, a failure is also returned if an index is in the transportable set but the table is not.

If `TRANSPORT_FULL_CHECK=n`, then Export verifies only that there are no objects within the transportable set that are dependent on objects outside the transportable set. This check addresses a one-way dependency. For example, a table is not dependent on an index, but an index *is* dependent on a table, because an index without a table has no meaning. Therefore, if the transportable set contains a table, but not its index, then this check succeeds. However, if the transportable set contains an index, but not the table, the export operation is terminated.

There are other checks performed as well. For instance, export always verifies that all storage segments of all tables (and their indexes) defined within the tablespace set specified by `TRANSPORT_TABLESPACES` are actually contained within the tablespace set.

**Example**

The following is an example of using the `TRANSPORT_FULL_CHECK` parameter. It assumes that tablespace `tbs_1` exists.

```
> expdp hr DIRECTORY=dpump_dir1 DUMPFILE=tts.dmp
TRANSPORT_TABLESPACES=tbs_1 TRANSPORT_FULL_CHECK=y LOGFILE=tts.log
```

**TRANSPORT\_TABLESPACES**

Default: There is no default

**Purpose**

Specifies that you want to perform a transportable-tablespace-mode export.

**Syntax and Description**

```
TRANSPORT_TABLESPACES=tablespace_name [, ...]
```

Use the `TRANSPORT_TABLESPACES` parameter to specify a list of tablespace names for which object metadata will be exported from the source database into the target database.

The log file for the export lists the datafiles that are used in the transportable set, the dump files, and any containment violations.

The `TRANSPORT_TABLESPACES` parameter exports metadata for *all* objects within the specified tablespace. If you want to perform a transportable export of only certain tables, partitions, or subpartitions, you must use the `TABLES` parameter in conjunction with the `TRANSPORTABLE=ALWAYS` parameter.



---



---

**Note:** You cannot export transportable tablespaces and then import them into a database at a lower release level. The target database must be at the same or higher release level as the source database.

---



---

### Restrictions

- Transportable jobs are not restartable.
- Transportable jobs are restricted to a degree of parallelism of 1.
- Transportable tablespace mode requires that you have the EXP\_FULL\_DATABASE role.
- Transportable mode does not support encrypted columns.
- The default tablespace of the user performing the export must not be set to one of the tablespaces being transported.
- The SYS and SYSAUX tablespaces are not transportable.
- All tablespaces in the transportable set must be set to read-only.

### Example 1

The following is an example of using the TRANSPORT\_TABLESPACES parameter in a file-based job (rather than network-based). The tablespace tbs\_1 is the tablespace being moved. This example assumes that tablespace tbs\_1 exists and that it has been set to read-only. This example also assumes that the default tablespace was changed prior to this export command.

```
> expdp hr DIRECTORY=dpump_dir1 DUMPFILE=tts.dmp
TRANSPORT_TABLESPACES=tbs_1 TRANSPORT_FULL_CHECK=y LOGFILE=tts.log
```

### See Also:

- [Transportable Tablespace Mode](#) on page 2-4
- [Using Data File Copying to Move Data](#) on page 1-3
- *Oracle Database Administrator's Guide* for detailed information about transporting tablespaces between databases

## TRANSPORTABLE

Default: NEVER

### Purpose

Specifies whether or not the transportable option should be used during a table mode export (specified with the TABLES parameter) to export metadata for specific tables, partitions, and subpartitions.

### Syntax and Description

```
TRANSPORTABLE = {ALWAYS | NEVER}
```

The definitions of the allowed values are as follows:

**ALWAYS** - Instructs the export job to use the transportable option. If transportable is not possible, the job will fail. The transportable option exports only metadata for the specified tables, partitions, or subpartitions specified by the TABLES parameter. You

must copy the actual data files to the target database. See [Using Data File Copying to Move Data](#) on page 1-3.

NEVER - Instructs the export job to use either the direct path or external table method to unload data rather than the transportable option. This is the default.

---

---

**Note:** If you want to export an entire tablespace in transportable mode, use the `TRANSPORT_TABLESPACES` parameter.

---

---

### Restrictions

- The `TRANSPORTABLE` parameter is only valid in table mode exports.
- The schema performing a transportable export requires the `EXP_FULL_DATABASE` privilege.
- Tablespaces associated with tables, partitions, and subpartitions must be read-only.
- Transportable mode does not export any data. Data is copied when the tablespace data files are copied from the source system to the target system. The tablespaces that must be copied are listed at the end of the log file for the export operation.
- To make use of the `TRANSPORTABLE` parameter, the `COMPATIBLE` initialization parameter must be set to at least 11.0.0.
- The default tablespace of the user performing the export must not be set to one of the tablespaces being transported.

### Example

The following example assumes that the `sh` schema has the `EXP_FULL_DATABASE` privilege and that table `sales2` is partitioned and contained within tablespace `tbs2`. (The `tbs2` tablespace must be set to read-only in the source database.)

```
> expdp sh DIRECTORY=dpump_dir1 DUMPFILE=tto1.dmp  
TABLES=sh.sales2 TRANSPORTABLE=always
```

After the export completes successfully, you must copy the data files to the target database area. You could then perform an import operation using the `PARTITION_OPTIONS` and `REMAP_SCHEMA` parameters to make each of the partitions in `sales2` its own table.

```
> impdp system PARTITION_OPTIONS=departition  
TRANSPORT_DATAFILES=oracle/dbs/tbs2 DIRECTORY=dpump_dir1  
DUMPFILE=tto1.dmp REMAP_SCHEMA=sh:dp
```

## VERSION

Default: `COMPATIBLE`

### Purpose

Specifies the version of database objects to be exported. This can be used to create a dump file set that is compatible with a previous release of Oracle Database. Note that this does *not* mean that Data Pump Export can be used with versions of Oracle Database prior to 10.1. Data Pump Export only works with Oracle Database 10g release 1 (10.1) or later. The `VERSION` parameter simply allows you to identify the version of the objects being exported.

## Syntax and Description

VERSION={COMPATIBLE | LATEST | *version\_string*}

The legal values for the VERSION parameter are as follows:

- COMPATIBLE - This is the default value. The version of the metadata corresponds to the database compatibility level. Database compatibility must be set to 9.2 or higher.
- LATEST - The version of the metadata corresponds to the database version.
- *version\_string* - A specific database version (for example, 11.1.0). In Oracle Database 11g, this value cannot be lower than 9.2.

Database objects or attributes that are incompatible with the specified version will not be exported. For example, tables containing new datatypes that are not supported in the specified version will not be exported.

**See Also:** [Moving Data Between Different Database Versions](#) on page 1-13

## Example

The following example shows an export for which the version of the metadata will correspond to the database version:

```
> expdp hr TABLES=hr.employees VERSION=LATEST DIRECTORY=dpump_dir1
DUMPFIL=emp.dmp NOLOGFILE=y
```

# How Data Pump Export Parameters Map to Those of the Original Export Utility

Table 2–1 maps, as closely as possible, Data Pump Export parameters to original Export parameters. In some cases, because of feature redesign, the original Export parameter is no longer needed, so there is no Data Pump parameter to compare it to. Also, as shown in the table, some of the parameter names may be the same, but the functionality is slightly different.

**Table 2–1 Original Export Parameters and Their Counterparts in Data Pump Export**

Original Export Parameter	Comparable Data Pump Export Parameter
BUFFER	A parameter comparable to BUFFER is not needed.
COMPRESS	A parameter comparable to COMPRESS is not needed.
CONSISTENT	A parameter comparable to CONSISTENT is not needed. Use FLASHBACK_SCN and FLASHBACK_TIME for this functionality.
CONSTRAINTS	EXCLUDE=CONSTRAINT
DIRECT	A parameter comparable to DIRECT is not needed. Data Pump Export automatically chooses the best method (direct path mode or external tables mode).
FEEDBACK	STATUS
FILE	DUMPFIL
FILESIZE	FILESIZE
FLASHBACK_SCN	FLASHBACK_SCN
FLASHBACK_TIME	FLASHBACK_TIME

**Table 2–1 (Cont.) Original Export Parameters and Their Counterparts in Data Pump**

Original Export Parameter	Comparable Data Pump Export Parameter
FULL	FULL
GRANTS	EXCLUDE=GRANT
HELP	HELP
INDEXES	EXCLUDE=INDEX
LOG	LOGFILE
OBJECT_CONSISTENT	A parameter comparable to OBJECT_CONSISTENT is not needed.
OWNER	SCHEMAS
PARFILE	PARFILE
QUERY	QUERY
RECORDLENGTH	A parameter comparable to RECORDLENGTH is not needed because sizing is done automatically.
RESUMABLE	A parameter comparable to RESUMABLE is not needed. This functionality is automatically provided for users who have been granted the EXP_FULL_DATABASE role.
RESUMABLE_NAME	A parameter comparable to RESUMABLE_NAME is not needed. This functionality is automatically provided for users who have been granted the EXP_FULL_DATABASE role.
RESUMABLE_TIMEOUT	A parameter comparable to RESUMABLE_TIMEOUT is not needed. This functionality is automatically provided for users who have been granted the EXP_FULL_DATABASE role.
ROWS=N	CONTENT=METADATA_ONLY
ROWS=Y	CONTENT=ALL
STATISTICS	A parameter comparable to STATISTICS is not needed. Statistics are always saved for tables.
TABLES	TABLES
TABLESPACES	TABLESPACES (Same parameter; slightly different behavior)
TRANSPORT_TABLESPACE	TRANSPORT_TABLESPACES (Same parameter; slightly different behavior)
TRIGGERS	EXCLUDE=TRIGGER
TTS_FULL_CHECK	TRANSPORT_FULL_CHECK
USERID	A parameter comparable to USERID is not needed. This information is supplied as the username and password when you invoke Export.
VOLSIZE	A parameter comparable to VOLSIZE is not needed.

This table does not list all Data Pump Export command-line parameters. For information about all Export command-line parameters, see [Parameters Available in Export's Command-Line Mode](#) on page 2-7.

**See Also:** [Chapter 20, "Original Export and Import"](#) for details about original Export

## Commands Available in Export's Interactive-Command Mode

In interactive-command mode, the current job continues running, but logging to the terminal is suspended and the Export prompt (`EXPORT>`) is displayed.

---



---

**Note:** Data Pump Export interactive-command mode is different from the interactive mode for original Export, in which Export prompted you for input. See [Interactive Mode](#) on page 20-6 for information about interactive mode in original Export.

---



---

To start interactive-command mode, do one of the following:

- From an attached client, press Ctrl+C.
- From a terminal other than the one on which the job is running, specify the `ATTACH` parameter in an `expdp` command to attach to the job. This is a useful feature in situations in which you start a job at one location and need to check on it at a later time from a different location.

[Table 2-2](#) lists the activities you can perform for the current job from the Data Pump Export prompt in interactive-command mode.

**Table 2-2 Supported Activities in Data Pump Export's Interactive-Command Mode**

Activity	Command Used
Add additional dump files.	<a href="#">ADD_FILE</a> on page 2-41
Exit interactive mode and enter logging mode.	<a href="#">CONTINUE_CLIENT</a> on page 2-42
Stop the export client session, but leave the job running.	<a href="#">EXIT_CLIENT</a> on page 2-42
Redefine the default size to be used for any subsequent dump files.	<a href="#">FILESIZE</a> on page 2-43
Display a summary of available commands.	<a href="#">HELP</a> on page 2-43
Detach all currently attached client sessions and kill the current job.	<a href="#">KILL_JOB</a> on page 2-43
Increase or decrease the number of active worker processes for the current job. This command is valid only in the Enterprise Edition of Oracle Database 11g.	<a href="#">PARALLEL</a> on page 2-44
Restart a stopped job to which you are attached.	<a href="#">START_JOB</a> on page 2-44
Display detailed status for the current job and/or set status interval.	<a href="#">STATUS</a> on page 2-44
Stop the current job for later restart.	<a href="#">STOP_JOB</a> on page 2-45

The following are descriptions of the commands available in the interactive-command mode of Data Pump Export.

### ADD\_FILE

#### Purpose

Adds additional files or substitution variables to the export dump file set.

## Syntax and Description

```
ADD_FILE=[directory_object:]file_name [,...]
```

The *file\_name* must not contain any directory path information. However, it can include a substitution variable, %U, which indicates that multiple files may be generated using the specified filename as a template. It can also specify another *directory\_object*.

The size of the file being added is determined by the setting of the FILESIZE parameter.

**See Also:** [File Allocation](#) on page 1-10 for information about the effects of using substitution variables

## Example

The following example adds two dump files to the dump file set. A directory object is not specified for the dump file named hr2.dmp, so the default directory object for the job is assumed. A different directory object, dpump\_dir2, is specified for the dump file named hr3.dmp.

```
Export> ADD_FILE=hr2.dmp, dpump_dir2:hr3.dmp
```

## CONTINUE\_CLIENT

### Purpose

Changes the Export mode from interactive-command mode to logging mode.

### Syntax and Description

```
CONTINUE_CLIENT
```

In logging mode, status is continually output to the terminal. If the job is currently stopped, then CONTINUE\_CLIENT will also cause the client to attempt to start the job.

### Example

```
Export> CONTINUE_CLIENT
```

## EXIT\_CLIENT

### Purpose

Stops the export client session, exits Export, and discontinues logging to the terminal, but leaves the current job running.

### Syntax and Description

```
EXIT_CLIENT
```

Because EXIT\_CLIENT leaves the job running, you can attach to the job at a later time. To see the status of the job, you can monitor the log file for the job or you can query the USER\_DATAPUMP\_JOBS view or the V\$SESSION\_LONGOPS view.

### Example

```
Export> EXIT_CLIENT
```

## FILESIZE

### Purpose

Redefines the default size to be used for any subsequent dump files.

### Syntax and Description

`FILESIZE=number`

The file size can be followed by B, K, M, or G to indicate that the size is expressed in bytes, kilobytes, megabytes, or gigabytes, respectively. The default is B.

A file size of 0 indicates that there will not be any size restrictions on new dump files. They will be extended as needed until the limits of the containing device are reached.

### Example

```
Export> FILESIZE=100M
```

## HELP

### Purpose

Provides information about Data Pump Export commands available in interactive-command mode.

### Syntax and Description

`HELP`

Displays information about the commands available in interactive-command mode.

### Example

```
Export> HELP
```

## KILL\_JOB

### Purpose

Detaches all currently attached client sessions and then kills the current job. It exits Export and returns to the terminal prompt.

### Syntax and Description

`KILL_JOB`

A job that is killed using `KILL_JOB` cannot be restarted. All attached clients, including the one issuing the `KILL_JOB` command, receive a warning that the job is being killed by the current user and are then detached. After all clients are detached, the job's process structure is immediately run down and the master table and dump files are deleted. Log files are not deleted.

### Example

```
Export> KILL_JOB
```

## PARALLEL

### Purpose

Enables you to increase or decrease the number of *active* processes (worker and parallel slaves) for the current job.

### Syntax and Description

`PARALLEL=integer`

PARALLEL is available as both a command-line parameter and as an interactive-command mode parameter. (It is only available in Enterprise Edition.) You set it to the desired number of parallel processes (worker and parallel slaves). An increase takes effect immediately if there are sufficient files and resources. A decrease does not take effect until an existing process finishes its current task. If the value is decreased, workers are idled but not deleted until the job exits.

**See Also:** [PARALLEL](#) on page 2-27 for more information about parallelism

### Example

```
Export> PARALLEL=10
```

## START\_JOB

### Purpose

Starts the current job to which you are attached.

### Syntax and Description

`START_JOB`

The `START_JOB` command restarts the current job to which you are attached (the job cannot be currently executing). The job is restarted with no data loss or corruption after an unexpected failure or after you issued a `STOP_JOB` command, provided the dump file set and master table have not been altered in any way.

Transportable-tablespace-mode exports are not restartable.

### Example

```
Export> START_JOB
```

## STATUS

### Purpose

Displays cumulative status of the job, along with a description of the current operation. An estimated completion percentage for the job is also returned. Also allows resetting the display interval for logging mode status.

### Syntax and Description

`STATUS[=integer]`



You have the option of specifying how frequently, in seconds, this status should be displayed in logging mode. If no value is entered or if the default value of 0 is used, the periodic status display is turned off and status is displayed only once.

This status information is written only to your standard output device, not to the log file (even if one is in effect).

### Example

The following example will display the current job status and change the logging mode display interval to five minutes (300 seconds):

```
Export> STATUS=300
```

## STOP\_JOB

### Purpose

Stops the current job either immediately or after an orderly shutdown, and exits Export.

### Syntax and Description

```
STOP_JOB [=IMMEDIATE]
```

If the master table and dump file set are not disturbed when or after the `STOP_JOB` command is issued, the job can be attached to and restarted at a later time with the `START_JOB` command.

To perform an orderly shutdown, use `STOP_JOB` (without any associated value). A warning requiring confirmation will be issued. An orderly shutdown stops the job after worker processes have finished their current tasks.

To perform an immediate shutdown, specify `STOP_JOB=IMMEDIATE`. A warning requiring confirmation will be issued. All attached clients, including the one issuing the `STOP_JOB` command, receive a warning that the job is being stopped by the current user and they will be detached. After all clients are detached, the process structure of the job is immediately run down. That is, the master process will not wait for the worker processes to finish their current tasks. There is no risk of corruption or data loss when you specify `STOP_JOB=IMMEDIATE`. However, some tasks that were incomplete at the time of shutdown may have to be redone at restart time.

### Example

```
Export> STOP_JOB=IMMEDIATE
```

## Examples of Using Data Pump Export

This section provides the following examples of using Data Pump Export:

- [Performing a Table-Mode Export](#)
- [Data-Only Unload of Selected Tables and Rows](#)
- [Estimating Disk Space Needed in a Table-Mode Export](#)
- [Performing a Schema-Mode Export](#)
- [Performing a Parallel Full Database Export](#)
- [Using Interactive Mode to Stop and Reattach to a Job](#)

For information that will help you to successfully use these examples, see [Using the Export Parameter Examples](#) on page 2-7.

## Performing a Table-Mode Export

[Example 2-1](#) shows a table-mode export, specified using the `TABLES` parameter. Issue the following Data Pump export command to perform a table export of the tables `employees` and `jobs` from the human resources (`hr`) schema:

### **Example 2-1 Performing a Table-Mode Export**

```
expdp hr TABLES=employees,jobs DUMPFILE=dpump_dir1:table.dmp NOLOGFILE=y
```

Because user `hr` is exporting tables in his own schema, it is not necessary to specify the schema name for the tables. The `NOLOGFILE=y` parameter indicates that an Export log file of the operation will not be generated.

## Data-Only Unload of Selected Tables and Rows

[Example 2-2](#) shows the contents of a parameter file (`exp.par`) that you could use to perform a data-only unload of all tables in the human resources (`hr`) schema except for the tables `countries` and `regions`. Rows in the `employees` table are unloaded that have a `department_id` other than 50. The rows are ordered by `employee_id`.

### **Example 2-2 Data-Only Unload of Selected Tables and Rows**

```
DIRECTORY=dpump_dir1
DUMPFILE=dataonly.dmp
CONTENT=DATA_ONLY
EXCLUDE=TABLE:"IN ('COUNTRIES', 'REGIONS')"
```

```
QUERY=employees:"WHERE department_id !=50 ORDER BY employee_id"
```

You can issue the following command to execute the `exp.par` parameter file:

```
> expdp hr PARFILE=exp.par
```

A schema-mode export (the default mode) is performed, but the `CONTENT` parameter effectively limits the export to an unload of just the table's data. The DBA previously created the directory object `dpump_dir1` which points to the directory on the server where user `hr` is authorized to read and write export dump files. The dump file `dataonly.dmp` is created in `dpump_dir1`.

## Estimating Disk Space Needed in a Table-Mode Export

[Example 2-3](#) shows the use of the `ESTIMATE_ONLY` parameter to estimate the space that would be consumed in a table-mode export, without actually performing the export operation. Issue the following command to use the `BLOCKS` method to estimate the number of bytes required to export the data in the following three tables located in the human resource (`hr`) schema: `employees`, `departments`, and `locations`.

### **Example 2-3 Estimating Disk Space Needed in a Table-Mode Export**

```
> expdp hr DIRECTORY=dpump_dir1 ESTIMATE_ONLY=y TABLES=employees,
departments, locations LOGFILE=estimate.log
```

The estimate is printed in the log file and displayed on the client's standard output device. The estimate is for table row data only; it does not include metadata.

## Performing a Schema-Mode Export

[Example 2-4](#) shows a schema-mode export of the hr schema. In a schema-mode export, only objects belonging to the corresponding schemas are unloaded. Because schema mode is the default mode, it is not necessary to specify the SCHEMAS parameter on the command line, unless you are specifying more than one schema or a schema other than your own.

### **Example 2-4 Performing a Schema Mode Export**

```
> expdp hr DUMPFILE=dpump_dir1:expschema.dmp LOGFILE=dpump_dir1:expschema.log
```

## Performing a Parallel Full Database Export

[Example 2-5](#) shows a full database Export that will have up to 3 parallel processes (worker or PQ slaves).

### **Example 2-5 Parallel Full Export**

```
> expdp hr FULL=y DUMPFILE=dpump_dir1:full1%U.dmp, dpump_dir2:full2%U.dmp
FILESIZE=2G PARALLEL=3 LOGFILE=dpump_dir1:expfull.log JOB_NAME=expfull
```

Because this is a full database export, all data and metadata in the database will be exported. Dump files full101.dmp, full201.dmp, full102.dmp, and so on will be created in a round-robin fashion in the directories pointed to by the dpump\_dir1 and dpump\_dir2 directory objects. For best performance, these should be on separate I/O channels. Each file will be up to 2 gigabytes in size, as necessary. Initially, up to three files will be created. More files will be created, if needed. The job and master table will have a name of expfull. The log file will be written to expfull.log in the dpump\_dir1 directory.

## Using Interactive Mode to Stop and Reattach to a Job

To start this example, reexecute the parallel full export in [Example 2-5](#). While the export is running, press Ctrl+C. This will start the interactive-command interface of Data Pump Export. In the interactive interface, logging to the terminal stops and the Export prompt is displayed.

### **Example 2-6 Stopping and Reattaching to a Job**

At the Export prompt, issue the following command to stop the job:

```
Export> STOP_JOB=IMMEDIATE
Are you sure you wish to stop this job ([y]/n): y
```

The job is placed in a stopped state and exits the client.

Enter the following command to reattach to the job you just stopped:

```
> expdp hr ATTACH=EXPFULL
```

After the job status is displayed, you can issue the CONTINUE\_CLIENT command to resume logging mode and restart the expfull job.

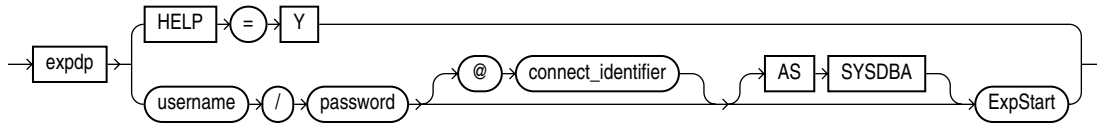
```
Export> CONTINUE_CLIENT
```

A message is displayed that the job has been reopened, and processing status is output to the client.

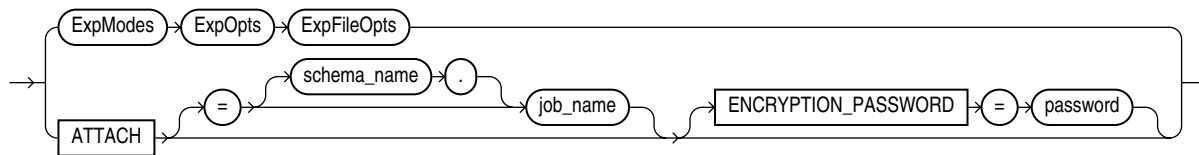
## Syntax Diagrams for Data Pump Export

This section provides syntax diagrams for Data Pump Export. These diagrams use standard SQL syntax notation. For more information about SQL syntax notation, see *Oracle Database SQL Language Reference*.

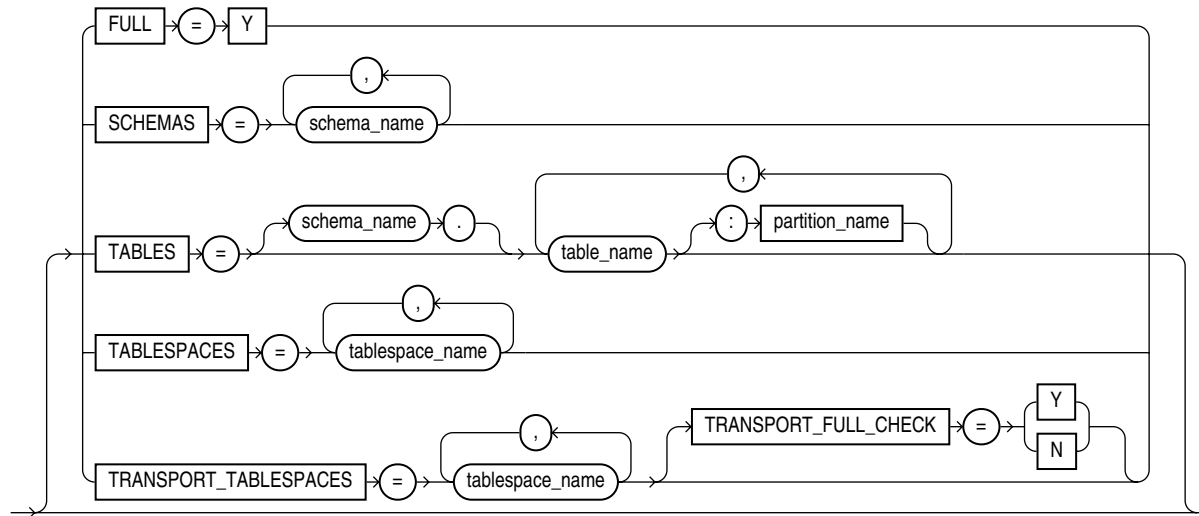
### ExpInit



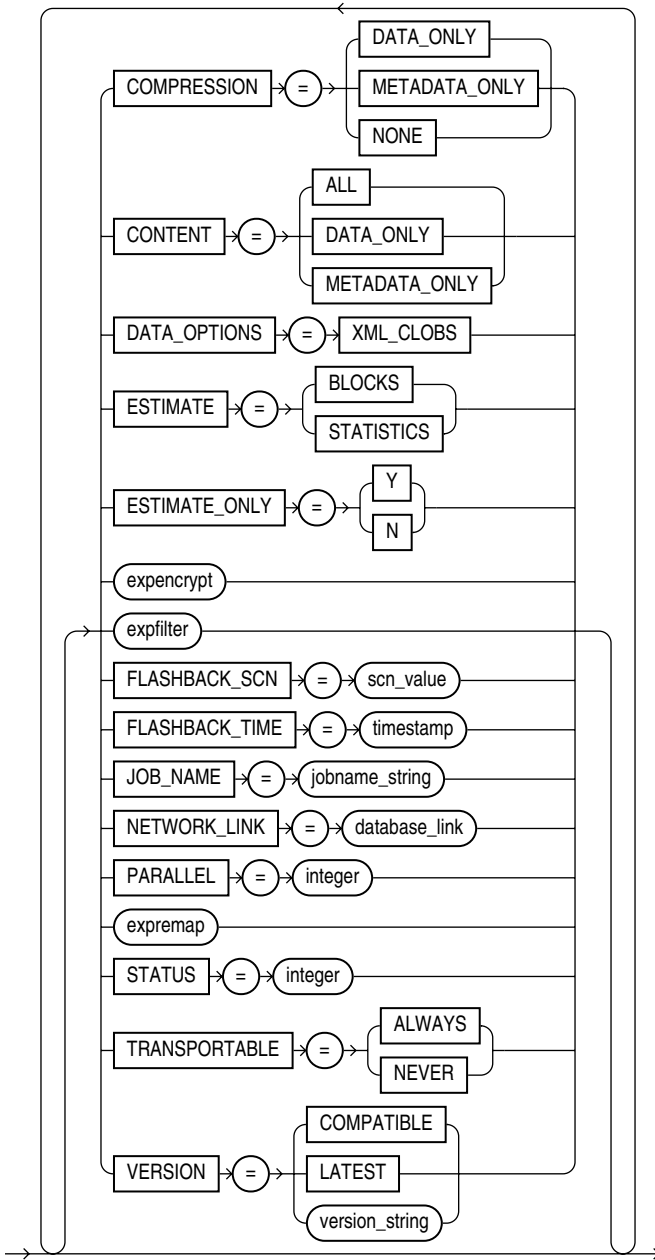
### ExpStart



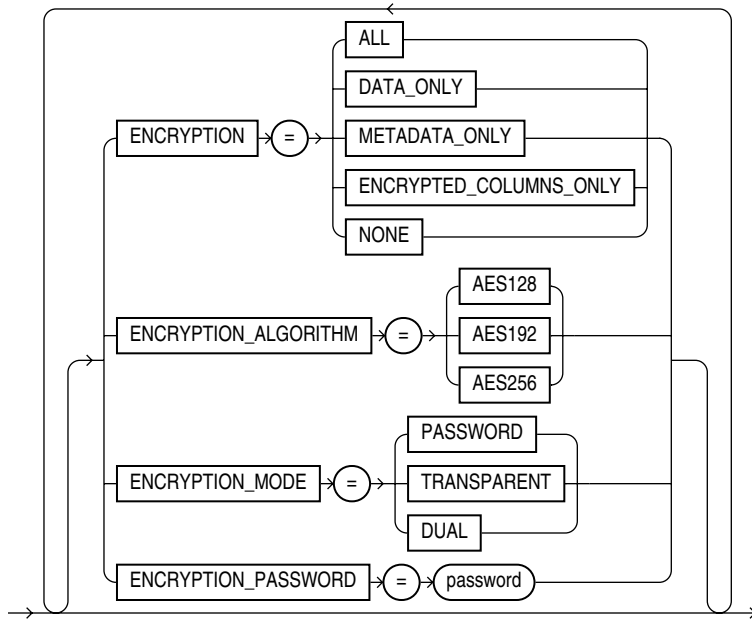
### ExpModes



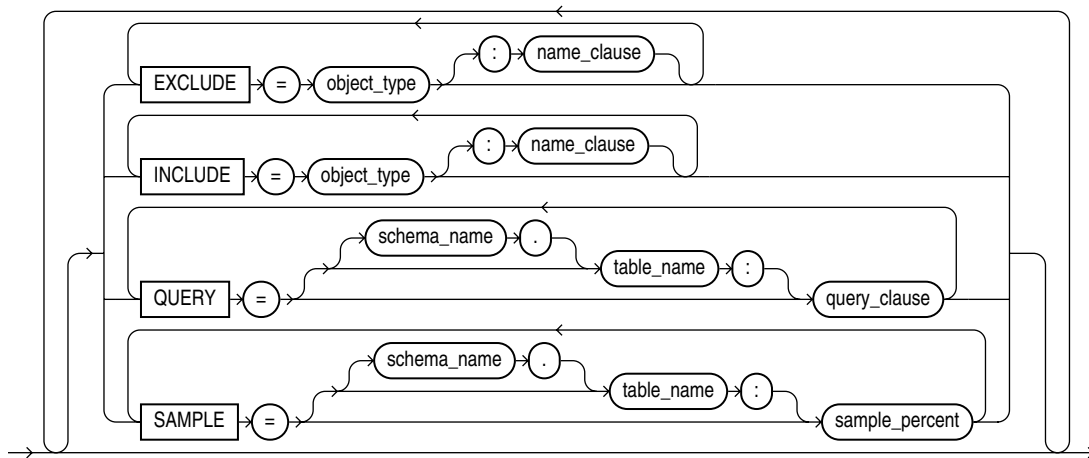
### ExpOpts



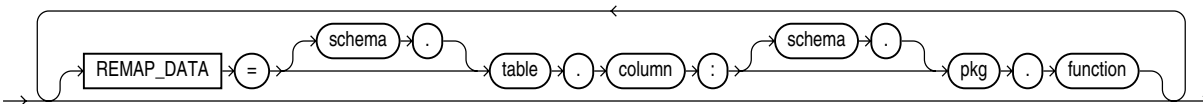
### ExpEncrypt



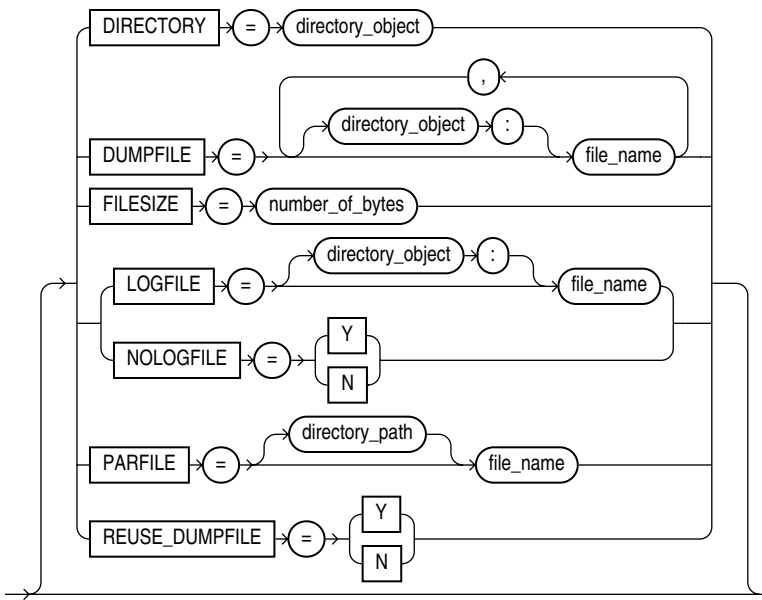
### ExpFilter



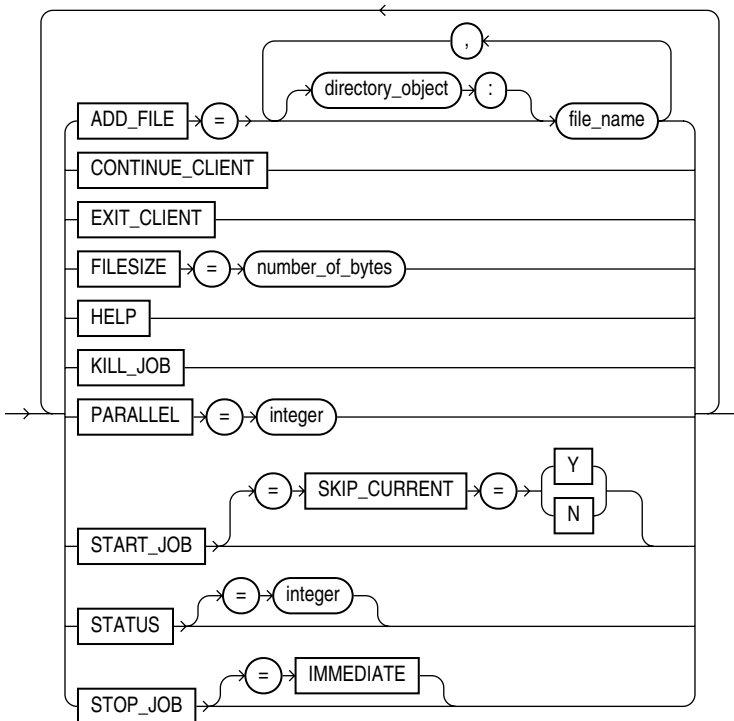
### ExpRemap



### ExpFileOpts



### ExpDynOpts







---

---

## Data Pump Import

This chapter describes the Oracle Data Pump Import utility. The following topics are discussed:

- [What Is Data Pump Import?](#)
- [Invoking Data Pump Import](#)
- [Filtering During Import Operations](#)
- [Parameters Available in Import's Command-Line Mode](#)
- [How Data Pump Import Parameters Map to Those of the Original Import Utility](#)
- [Commands Available in Import's Interactive-Command Mode](#)
- [Examples of Using Data Pump Import](#)
- [Syntax Diagrams for Data Pump Import](#)

### What Is Data Pump Import?

---

---

**Note:** Although Data Pump Import (`impdp`) functionality is similar to that of the original Import utility (`imp`), they are completely separate utilities and their files are not compatible. See [Chapter 20, "Original Export and Import"](#) for a description of the original Import utility.

---

---

Data Pump Import (hereinafter referred to as Import for ease of reading) is a utility for loading an export dump file set into a target system. The dump file set is made up of one or more disk files that contain table data, database object metadata, and control information. The files are written in a proprietary, binary format. During an import operation, the Data Pump Import utility uses these files to locate each database object in the dump file set.

Import can also be used to load a target database directly from a source database with no intervening dump files. This is known as a network import.

Data Pump Import enables you to specify whether a job should move a subset of the data and metadata from the dump file set or the source database (in the case of a network import), as determined by the import mode. This is done using data filters and metadata filters, which are implemented through Import commands. See [Filtering During Import Operations](#) on page 3-5.

To see some examples of the various ways in which you can use Import, refer to [Examples of Using Data Pump Import](#) on page 3-48.

## Invoking Data Pump Import

The Data Pump Import utility is invoked using the `impdp` command. The characteristics of the import operation are determined by the import parameters you specify. These parameters can be specified either on the command line or in a parameter file.

---

---

**Note:** Do not invoke Import as `SYSDBA`, except at the request of Oracle technical support. `SYSDBA` is used internally and has specialized functions; its behavior is not the same as for general users.

---

---

---

---

**Note:** Be aware that if you are performing a Data Pump Import into a table or tablespace created with the `NOLOGGING` clause enabled, a redo log file may still be generated. The redo that is generated in such a case is generally for maintenance of the master table or related to underlying recursive space transactions, data dictionary changes, and index maintenance for indices on the table that require logging.

---

---

The following sections contain more information about invoking Import:

- [Data Pump Import Interfaces](#) on page 3-2
- [Data Pump Import Modes](#) on page 3-3
- [Network Considerations](#) on page 3-5

---

---

**Note:** It is not possible to start or restart Data Pump jobs on one instance in an Oracle Real Application Clusters (RAC) environment if there are Data Pump jobs currently running on other instances in the Oracle RAC environment.

---

---

### Data Pump Import Interfaces

You can interact with Data Pump Import by using a command line, a parameter file, or an interactive-command mode.

- **Command-Line Interface:** Enables you to specify the Import parameters directly on the command line. For a complete description of the parameters available in the command-line interface, see [Parameters Available in Import's Command-Line Mode](#) on page 3-6.
- **Parameter File Interface:** Enables you to specify command-line parameters in a parameter file. The only exception is the `PARFILE` parameter because parameter files cannot be nested. The use of parameter files is recommended if you are using parameters whose values require quotation marks. See [Use of Quotation Marks On the Data Pump Command Line](#) on page 3-7.
- **Interactive-Command Interface:** Stops logging to the terminal and displays the Import prompt, from which you can enter various commands, some of which are specific to interactive-command mode. This mode is enabled by pressing `Ctrl+C` during an import operation started with the command-line interface or the parameter file interface. Interactive-command mode is also enabled when you attach to an executing or stopped job.

---

For a complete description of the commands available in interactive-command mode, see [Commands Available in Import's Interactive-Command Mode](#) on page 3-44.

## Data Pump Import Modes

One of the most significant characteristics of an import operation is its mode, because the mode largely determines what is imported. The specified mode applies to the source of the operation, either a dump file set or another database if the `NETWORK_LINK` parameter is specified.

When the source of the import operation is a dump file set, specifying a mode is optional. If no mode is specified, then Import attempts to load the entire dump file set in the mode in which the export operation was run.

The mode is specified on the command line, using the appropriate parameter. The available modes are as follows:

- [Full Import Mode](#) on page 3-3
- [Schema Mode](#) on page 3-4
- [Table Mode](#) on page 3-4
- [Tablespace Mode](#) on page 3-4
- [Transportable Tablespace Mode](#) on page 3-4

---

---

**Note:** When you import a dump file that was created by a full-mode export, the import operation attempts to copy the password for the `SYS` account from the source database. This sometimes fails (for example, if the password is in a shared password file). If it does fail, then after the import completes, you must set the password for the `SYS` account at the target database to a password of your choice.

---

---

---

---

**Note:** Jobs (created by the Oracle Database job scheduler) are always imported to the schema of the importing user. After an import, if you query the `DBA_JOBS` view you will see that `LOG_USER` and `PRIV_USER` values are set to the importing user, regardless of how they were set on the export platform.

To work around this, you must perform both the export and the import as the job owner.

---

---

### Full Import Mode

A full import is specified using the `FULL` parameter. In full import mode, the entire content of the source (dump file set or another database) is loaded into the target database. This is the default for file-based imports. You must have the `IMP_FULL_DATABASE` role if the source is another database.

Cross-schema references are not imported for non-privileged users. For example, a trigger defined on a table within the importing user's schema, but residing in another user's schema, is not imported.

The `IMP_FULL_DATABASE` role is required on the target database and the `EXP_FULL_DATABASE` role is required on the source database if the `NETWORK_LINK` parameter is used for a full import.

**See Also:** [FULL](#) on page 3-16

### Schema Mode

A schema import is specified using the `SCHEMAS` parameter. In a schema import, only objects owned by the specified schemas are loaded. The source can be a full, table, tablespace, or schema-mode export dump file set or another database. If you have the `IMP_FULL_DATABASE` role, then a list of schemas can be specified and the schemas themselves (including system privilege grants) are created in the database in addition to the objects contained within those schemas.

Cross-schema references are not imported for non-privileged users unless the other schema is remapped to the current schema. For example, a trigger defined on a table within the importing user's schema, but residing in another user's schema, is not imported.

**See Also:** [SCHEMAS](#) on page 3-30

### Table Mode

A table-mode import is specified using the `TABLES` parameter. In table mode, only the specified set of tables, partitions, and their dependent objects are loaded. The source can be a full, schema, tablespace, or table-mode export dump file set or another database. You must have the `IMP_FULL_DATABASE` role to specify tables that are not in your own schema.

You can use the transportable option during a table-mode import by specifying the `TRANSPORTABLE=ALWAYS` parameter in conjunction with the `TABLES` parameter. Note that this requires use of the `NETWORK_LINK` parameter, as well.

**See Also:**

- [TABLES](#) on page 3-34
- [TRANSPORTABLE](#) on page 3-41
- [Using Data File Copying to Move Data](#) on page 1-3

### Tablespace Mode

A tablespace-mode import is specified using the `TABLESPACES` parameter. In tablespace mode, all objects contained within the specified set of tablespaces are loaded, along with the dependent objects. The source can be a full, schema, tablespace, or table-mode export dump file set or another database. For unprivileged users, objects not remapped to the current schema will not be processed.

**See Also:** [TABLESPACES](#) on page 3-35

### Transportable Tablespace Mode

A transportable tablespace import is specified using the `TRANSPORT_TABLESPACES` parameter. In transportable tablespace mode, the metadata from a transportable tablespace export dump file set or from another database is loaded. The datafiles, specified by the `TRANSPORT_DATAFILES` parameter, must be made available from the source system for use in the target database, typically by copying them over to the target system.

Encrypted columns are not supported in transportable tablespace mode.

This mode requires the `IMP_FULL_DATABASE` role.

---



---

**Note:** You cannot export transportable tablespaces and then import them into a database at a lower release level. The target database must be at the same or higher release level as the source database.

---



---

**See Also:**

- [TRANSPORT\\_TABLESPACES](#) on page 3-40
- [TRANSPORT\\_FULL\\_CHECK](#) on page 3-39
- [TRANSPORT\\_DATAFILES](#) on page 3-38

## Network Considerations

You can specify a connect identifier in the connect string when you invoke the Data Pump Import utility. This identifier can specify a database instance that is different from the current instance identified by the current Oracle System ID (SID). The connect identifier can be an Oracle\*Net connect descriptor or a name that maps to a connect descriptor. This requires an active listener (to start the listener, enter `lsnrctl start`) that can be located using the connect descriptor.

The following example invokes Import for user `hr`, using the connect descriptor named `inst1`:

```
> impdp hr DIRECTORY=dpump_dir1 DUMPFILE=hr.dmp TABLES=employees

Import: Release 11.1.0.6.0 - Production on Monday, 27 August, 2007 12:25:57

Copyright (c) 2003, 2007, Oracle. All rights reserved.

Password: password@inst1
```

```
Connected to: Oracle Database 11g Enterprise Edition Release 11.1.0.6.0 -
Production
With the Partitioning, Data Mining and Real Application Testing options
```

The local Import client connects to the database instance identified by the connect descriptor `inst1` (a simple net service name, usually defined in a `tnsnames.ora` file), to import the data from the dump file set to that database.

Do not confuse invoking the Import utility using a connect identifier with an import operation specifying the Import `NETWORK_LINK` command-line parameter, which initiates an import using a database link. In this case, the local Import client connects to the database instance identified by the command-line connect string, retrieves the data to be imported from the database instance identified by the database link, and writes the data to the connected database instance. There is no dump file set involved.

**See Also:**

- [NETWORK\\_LINK](#) on page 3-20
- *Oracle Database Net Services Administrator's Guide*
- *Oracle Database Heterogeneous Connectivity Administrator's Guide*

## Filtering During Import Operations

Data Pump Import provides much greater data and metadata filtering capability than was provided by the original Import utility.

## Data Filters

Data specific filtering is implemented through the `QUERY` and `SAMPLE` parameters, which specify restrictions on the table rows that are to be imported. Data filtering can also occur indirectly as a result of Metadata filtering, which can include or exclude table objects along with any associated row data.

Each data filter can only be specified once per table and once per job. If different filters using the same name are applied to both a particular table and to the whole job, the filter parameter supplied for the specific table will take precedence.

## Metadata Filters

Data Pump Import provides much greater metadata filtering capability than was provided by the original Import utility. Metadata filtering is implemented through the `EXCLUDE` and `INCLUDE` parameters. The `EXCLUDE` and `INCLUDE` parameters are mutually exclusive.

Metadata filters identify a set of objects to be included or excluded from a Data Pump operation. For example, you could request a full import, but without Package Specifications or Package Bodies.

To use filters correctly and to get the results you expect, remember that *dependent objects of an identified object are processed along with the identified object*. For example, if a filter specifies that a package is to be included in an operation, then grants upon that package will also be included. Likewise, if a table is excluded by a filter, then indexes, constraints, grants, and triggers upon the table will also be excluded by the filter.

If multiple filters are specified for an object type, an implicit `AND` operation is applied to them. That is, objects participating in the job must pass *all* of the filters applied to their object types.

The same filter name can be specified multiple times within a job.

To see which objects can be filtered, you can query the following views: `DATABASE_EXPORT_OBJECTS` for Full-mode imports, `SCHEMA_EXPORT_OBJECTS` for schema-mode imports, and `TABLE_EXPORT_OBJECTS` for table-mode and tablespace-mode imports. Note that full object path names are determined by the export mode, not by the import mode.

For an example of this, see [Metadata Filters](#) on page 2-6.

### See Also:

- [Metadata Filters](#) on page 2-6 for an example of using filtering
- The Import `EXCLUDE` parameter on page 3-13
- The Import `INCLUDE` parameter on page 3-17

## Parameters Available in Import's Command-Line Mode

This section provides descriptions of the parameters available in the command-line mode of Data Pump Import. Many of the descriptions include an example of how to use the parameter.

### Using the Import Parameter Examples

If you try running the examples that are provided for each parameter, be aware of the following:

- After you enter the username and parameters as shown in the example, Import is started and you are prompted for a password before a database connection is made:

```
Import: Release 11.1.0.6.0 - Production on Monday, 27 August, 2007 12:15:55
```

```
Copyright (c) 2003, 2007, Oracle. All rights reserved.
```

```
Password: password
```

```
Connected to: Oracle Database 11g Enterprise Edition Release 11.1.0.6.0 -  
Production
```

```
With the Partitioning, Data Mining and Real Application Testing options
```

- Most of the examples use the sample schemas of the seed database, which is installed by default when you install Oracle Database. In particular, the human resources (hr) schema is often used.
- Examples that specify a dump file to import assume that the dump file exists. Wherever possible, the examples use dump files that are generated when you run the Export examples in [Chapter 2](#).
- The examples assume that the directory objects, `dpump_dir1` and `dpump_dir2`, already exist and that `READ` and `WRITE` privileges have been granted to the `hr` schema for these directory objects. See [Default Locations for Dump, Log, and SQL Files](#) on page 1-10 for information about creating directory objects and assigning privileges to them.
- Some of the examples require the `EXP_FULL_DATABASE` and `IMP_FULL_DATABASE` roles. The examples assume that the `hr` schema has been granted these roles.

If necessary, ask your DBA for help in creating these directory objects and assigning the necessary privileges and roles.

Syntax diagrams of these parameters are provided in [Syntax Diagrams for Data Pump Import](#) on page 3-49.

Unless specifically noted, these parameters can also be specified in a parameter file.

### Use of Quotation Marks On the Data Pump Command Line

Some operating systems require that quotation marks on the command line be preceded by an escape character, such as the backslash. If the backslashes were not present, the command-line parser that Import uses would not understand the quotation marks and would remove them, resulting in an error. In general, Oracle recommends that you place such statements in a parameter file because escape characters are not necessary in parameter files.

#### See Also:

- [Default Locations for Dump, Log, and SQL Files](#) on page 1-10 for information about creating default directory objects
- [Examples of Using Data Pump Import](#) on page 3-48
- *Oracle Database Sample Schemas*

---

---

**Note:** If you are accustomed to using the original Import utility, you may be wondering which Data Pump parameters are used to perform the operations you used to perform with original Import. For a comparison, see [How Data Pump Import Parameters Map to Those of the Original Import Utility](#) on page 3-42.

---

---

## ATTACH

Default: current job in user's schema, if there is only one running job.

### Purpose

Attaches the client session to an existing import job and automatically places you in interactive-command mode.

### Syntax and Description

ATTACH [= [*schema\_name*.] *job\_name*]

Specify a *schema\_name* if the schema to which you are attaching is not your own. You must have the IMP\_FULL\_DATABASE role to do this.

A *job\_name* does not have to be specified if only one running job is associated with your schema and the job is active. If the job you are attaching to is stopped, you must supply the job name. To see a list of Data Pump job names, you can query the DBA\_DATAPUMP\_JOBS view or the USER\_DATAPUMP\_JOBS view.

When you are attached to the job, Import displays a description of the job and then displays the Import prompt.

### Restrictions

- When you specify the ATTACH parameter, the only other Data Pump parameter you can specify on the command line is ENCRYPTION\_PASSWORD.
- If the job you are attaching to was initially started using an encryption password, then when you attach to the job you must again enter the ENCRYPTION\_PASSWORD parameter on the command line to re-specify that password. The only exception to this is if the job was initially started with the ENCRYPTION=ENCRYPTED\_COLUMNS\_ONLY parameter. In that case, the encryption password is not needed when attaching to the job.
- You cannot attach to a job in another schema unless it is already running.
- If the dump file set or master table for the job have been deleted, the attach operation will fail.
- Altering the master table in any way will lead to unpredictable results.

### Example

The following is an example of using the ATTACH parameter.

```
> impdp hr ATTACH=import_job
```

This example assumes that a job named `import_job` exists in the `hr` schema.

**See Also:** [Commands Available in Import's Interactive-Command Mode](#) on page 3-44



## CONTENT

Default: ALL

### Purpose

Enables you to filter what is loaded during the import operation.

### Syntax and Description

CONTENT={ALL | DATA\_ONLY | METADATA\_ONLY}

- ALL loads any data and metadata contained in the source. This is the default.
- DATA\_ONLY loads only table row data into existing tables; no database objects are created.
- METADATA\_ONLY loads only database object definitions; no table row data is loaded.

### Restrictions

- The CONTENT=METADATA\_ONLY parameter and value cannot be used in conjunction with parameter TRANSPORT\_TABLESPACES (transportable-tablespace-mode).
- The CONTENT=ALL and CONTENT=DATA\_ONLY parameter and values cannot be used in conjunction with the SQLFILE parameter.

### Example

The following is an example of using the CONTENT parameter. You can create the `expfull.dmp` dump file used in this example by running the example provided for the Export FULL parameter. See [FULL](#) on page 2-22.

```
> impdp hr DIRECTORY=dpump_dir1 DUMPFILE=expfull.dmp CONTENT=METADATA_ONLY
```

This command will execute a full import that will load only the metadata in the `expfull.dmp` dump file. It executes a full import because that is the default for file-based imports in which no import mode is specified.

## DATA\_OPTIONS

Default: There is no default. If this parameter is not used, then the special data handling options it provides simply do not take effect.

### Purpose

The DATA\_OPTIONS parameter provides options for how to handle certain types of data during exports and imports. For import operations, the only valid option for the DATA\_OPTIONS parameter is SKIP\_CONSTRAINT\_ERRORS.

### Syntax and Description

DATA\_OPTIONS=SKIP\_CONSTRAINT\_ERRORS

The SKIP\_CONSTRAINT\_ERRORS option affects how *non-deferred* constraint violations are handled while a data object (table, partition, or subpartition) is being loaded. It has no effect on the load if *deferred* constraint violations are encountered. Deferred constraint violations always cause the entire load to be rolled back.

The `SKIP_CONSTRAINT_ERRORS` option specifies that you want the import operation to proceed even if non-deferred constraint violations are encountered. It logs any rows that cause non-deferred constraint violations, but does not stop the load for the data object experiencing the violation.

If `SKIP_CONSTRAINT_ERRORS` is not set, then the default behavior is to roll back the entire load of the data object on which non-deferred constraint violations are encountered.

### Restrictions

- If `SKIP_CONSTRAINT_ERRORS` is used and if a data object has unique indexes or constraints defined on it at the time of the load, then the `APPEND` hint will not be used for loading that data object. Therefore, loading such data objects will take longer when the `SKIP_CONSTRAINT_ERRORS` option is used.
- Even if `SKIP_CONSTRAINT_ERRORS` is specified, it is not used unless a data object is being loaded using the external table access method.

### Example

This example shows a data-only table mode import with `SKIP_CONSTRAINT_ERRORS` enabled:

```
> impdp hr TABLES=employees CONTENT=DATA_ONLY  
DUMPFILE=dpump_dir1:table.dmp DATA_OPTIONS=skip_constraint_errors
```

If any non-deferred constraint violations are encountered during this import operation, they will be logged and the import will continue on to completion.

## DIRECTORY

Default: `DATA_PUMP_DIR`

### Purpose

Specifies the default location in which the import job can find the dump file set and where it should create log and SQL files.

### Syntax and Description

`DIRECTORY=directory_object`

The *directory\_object* is the name of a database directory object (*not the file path of an actual directory*). Upon installation, privileged users have access to a default directory object named `DATA_PUMP_DIR`. Users with access to `DATA_PUMP_DIR` need not use the `DIRECTORY` parameter at all.

A directory object specified on the `DUMPFILE`, `LOGFILE`, or `SQLFILE` parameter overrides any directory object that you specify for the `DIRECTORY` parameter. You must have Read access to the directory used for the dump file set and Write access to the directory used to create the log and SQL files.

### Example

The following is an example of using the `DIRECTORY` parameter. You can create the `expfull.dmp` dump file used in this example by running the example provided for the Export `FULL` parameter. See [FULL](#) on page 2-22.

```
> impdp hr DIRECTORY=dpump_dir1 DUMPFILE=expfull.dmp  
LOGFILE=dpump_dir2:expfull.log
```

This command results in the import job looking for the `expfull.dmp` dump file in the directory pointed to by the `dpump_dir1` directory object. The `dpump_dir2` directory object specified on the `LOGFILE` parameter overrides the `DIRECTORY` parameter so that the log file is written to `dpump_dir2`.

**See Also:**

- [Default Locations for Dump, Log, and SQL Files](#) on page 1-10 for more information about default directory objects
- *Oracle Database SQL Language Reference* for more information about the `CREATE DIRECTORY` command

## DUMPFIL

Default: `expdat.dmp`

### Purpose

Specifies the names and optionally, the directory objects of the dump file set that was created by Export.

### Syntax and Description

`DUMPFIL=[directory_object:]file_name [, ...]`

The *directory\_object* is optional if one has already been established by the `DIRECTORY` parameter. If you do supply a value here, it must be a directory object that already exists and that you have access to. A database directory object that is specified as part of the `DUMPFIL` parameter overrides a value specified by the `DIRECTORY` parameter.

The *file\_name* is the name of a file in the dump file set. The filenames can also be templates that contain the substitution variable, `%U`. If `%U` is used, Import examines each file that matches the template (until no match is found) in order to locate all files that are part of the dump file set. The `%U` expands to a 2-digit incrementing integer starting with 01.

Sufficient information is contained within the files for Import to locate the entire set, provided the file specifications in the `DUMPFIL` parameter encompass the entire set. The files are not required to have the same names, locations, or order that they had at export time.

### Example

The following is an example of using the Import `DUMPFIL` parameter. You can create the dump files used in this example by running the example provided for the Export `DUMPFIL` parameter. See [DUMPFIL](#) on page 2-11.

```
> impdp hr DIRECTORY=dpump_dir1 DUMPFIL=dpump_dir2:exp1.dmp, exp2%U.dmp
```

Because a directory object (`dpump_dir2`) is specified for the `exp1.dmp` dump file, the import job will look there for the file. It will also look in `dpump_dir1` for dump files of the form `exp2<nn>.dmp`. The log file will be written to `dpump_dir1`.

**See Also:**

- [File Allocation](#) on page 1-10
- [Performing a Data-Only Table-Mode Import](#) on page 3-48

## ENCRYPTION\_PASSWORD

Default: There is no default; the value is user-supplied.

### Purpose

Specifies a password for accessing encrypted column data in the dump file set. This prevents unauthorized access to an encrypted dump file set.

### Syntax and Description

`ENCRYPTION_PASSWORD = password`

This parameter is required on an import operation if an encryption password was specified on the export operation. The password that is specified must be the same one that was specified on the export operation.

### Restrictions

- This parameter is valid only in the Enterprise Edition of Oracle Database 11g.
- The `ENCRYPTION_PASSWORD` parameter is not valid if the dump file set was created using the transparent mode of encryption.
- The `ENCRYPTION_PASSWORD` parameter is not valid for network import jobs.
- Encryption attributes for all columns must match between the exported table definition and the target table. For example, suppose you have a table, `EMP`, and one of its columns is named `EMPNO`. Both of the following situations would result in an error because the encryption attribute for the `EMP` column in the source table would not match the encryption attribute for the `EMP` column in the target table:
  - The `EMP` table is exported with the `EMPNO` column being encrypted, but prior to importing the table you remove the encryption attribute from the `EMPNO` column.
  - The `EMP` table is exported without the `EMPNO` column being encrypted, but prior to importing the table you enable encryption on the `EMPNO` column.

### Example

In the following example, the encryption password, `123456`, must be specified because it was specified when the `dpcd2be1.dmp` dump file was created (see "[ENCRYPTION\\_PASSWORD](#)" on page 2-15).

```
> impdp hr TABLES=employee_s_encrypt DIRECTORY=dpump_dir  
DUMPFILE=dpcd2be1.dmp ENCRYPTION_PASSWORD=123456
```

During the import operation, any columns in the `employee_s_encrypt` table that were encrypted during the export operation are decrypted before being imported.

## ESTIMATE

Default: `BLOCKS`

### Purpose

Instructs the source system in a network import operation to estimate how much data will be generated.

### Syntax and Description

`ESTIMATE={BLOCKS | STATISTICS}`

The valid choices for the `ESTIMATE` parameter are as follows:

- `BLOCKS` - The estimate is calculated by multiplying the number of database blocks used by the source objects times the appropriate block sizes.
- `STATISTICS` - The estimate is calculated using statistics for each table. For this method to be as accurate as possible, all tables should have been analyzed recently.

The estimate that is generated can be used to determine a percentage complete throughout the execution of the import job.

### Restrictions

- The Import `ESTIMATE` parameter is valid only if the `NETWORK_LINK` parameter is also specified.
- When the import source is a dump file set, the amount of data to be loaded is already known, so the percentage complete is automatically calculated.
- The estimate may be inaccurate if the `QUERY`, `SAMPLE`, or `REMAP_DATA` parameter is used.

### Example

In the following example, `source_database_link` would be replaced with the name of a valid link to the source database.

```
> impdp hr TABLES=job_history NETWORK_LINK=source_database_link
  DIRECTORY=dpump_dir1 ESTIMATE=statistics
```

The `job_history` table in the `hr` schema is imported from the source database. A log file is created by default and written to the directory pointed to by the `dpump_dir1` directory object. When the job begins, an estimate for the job is calculated based on table statistics.

## EXCLUDE

Default: There is no default

### Purpose

Enables you to filter the metadata that is imported by specifying objects and object types that you want to exclude from the import job.

### Syntax and Description

```
EXCLUDE=object_type[:name_clause] [, ...]
```

For the given mode of import, all object types contained within the source (and their dependents) are included, except those specified in an `EXCLUDE` statement. If an object is excluded, all of its dependent objects are also excluded. For example, excluding a table will also exclude all indexes and triggers on the table.

The `name_clause` is optional. It allows fine-grained selection of specific objects within an object type. It is a SQL expression used as a filter on the object names of the type. It consists of a SQL operator and the values against which the object names of the specified type are to be compared. The name clause applies only to object types whose instances have names (for example, it is applicable to `TABLE` and `VIEW`, but not to `GRANT`). The optional name clause must be separated from the object type with a colon and enclosed in double quotation marks, because single-quotation marks are required

to delimit the name strings. For example, you could set `EXCLUDE=INDEX: "LIKE 'DEPT%' "` to exclude all indexes whose names start with `dept`.

More than one `EXCLUDE` statement can be specified. Oracle recommends that you place `EXCLUDE` statements in a parameter file to avoid having to use operating system-specific escape characters on the command line.

As explained in the following sections, you should be aware of the effects of specifying certain objects for exclusion, in particular, `CONSTRAINT`, `GRANT`, and `USER`.

### Excluding Constraints

The following constraints cannot be excluded:

- `NOT NULL` constraints.
- Constraints needed for the table to be created and loaded successfully (for example, primary key constraints for index-organized tables or `REF SCOPE` and `WITH ROWID` constraints for tables with `REF` columns).

This means that the following `EXCLUDE` statements will be interpreted as follows:

- `EXCLUDE=CONSTRAINT` will exclude all nonreferential constraints, except for `NOT NULL` constraints and any constraints needed for successful table creation and loading.
- `EXCLUDE=REF_CONSTRAINT` will exclude referential integrity (foreign key) constraints.

### Excluding Grants and Users

Specifying `EXCLUDE=GRANT` excludes object grants on all object types and system privilege grants.

Specifying `EXCLUDE=USER` excludes only the definitions of users, not the objects contained within users' schemas.

To exclude a specific user and all objects of that user, specify a filter such as the following (where `hr` is the schema name of the user you want to exclude):

```
EXCLUDE=SCHEMA: "= 'HR' "
```

If you try to exclude a user by using a statement such as `EXCLUDE=USER:"= 'HR'"`, only `CREATE USER hr` DDL statements will be excluded, and you may not get the results you expect.

### Restrictions

- The `EXCLUDE` and `INCLUDE` parameters are mutually exclusive.

### Example

Assume the following is in a parameter file, `exclude.par`, being used by a DBA or some other user with the `IMP_FULL_DATABASE` role. (If you want to try the example, you will need to create this file.)

```
EXCLUDE=FUNCTION
EXCLUDE=PROCEDURE
EXCLUDE=PACKAGE
EXCLUDE=INDEX: "LIKE 'EMP%' "
```

You could then issue the following command. You can create the `expfull.dmp` dump file used in this command by running the example provided for the `Export FULL` parameter. See [FULL](#) on page 2-22.

```
> impdp system DIRECTORY=dpump_dir1 DUMPFILE=expfull.dmp PARFILE=exclude.par
```

All data from the `expfull.dmp` dump file will be loaded except for functions, procedures, packages, and indexes whose names start with `emp`.

**See Also:** [Filtering During Import Operations](#) on page 3-5 for more information about the effects of using the `EXCLUDE` parameter

## FLASHBACK\_SCN

Default: There is no default

### Purpose

Specifies the system change number (SCN) that Import will use to enable the Flashback utility.

### Syntax and Description

```
FLASHBACK_SCN=scn_number
```

The import operation is performed with data that is consistent as of the specified *scn\_number*.

---

**Note:** If you are on a logical standby system, the `FLASHBACK_SCN` parameter is ignored because SCNs are selected by logical standby. See *Oracle Data Guard Concepts and Administration* for information about logical standby databases.

---

### Restrictions

- The `FLASHBACK_SCN` parameter is valid only when the `NETWORK_LINK` parameter is also specified.
- The `FLASHBACK_SCN` parameter pertains only to the Flashback Query capability of Oracle Database. It is not applicable to Flashback Database, Flashback Drop, or Flashback Data Archive.
- `FLASHBACK_SCN` and `FLASHBACK_TIME` are mutually exclusive.

### Example

The following is an example of using the `FLASHBACK_SCN` parameter.

```
> impdp hr DIRECTORY=dpump_dir1 FLASHBACK_SCN=123456
NETWORK_LINK=source_database_link
```

The *source\_database\_link* in this example would be replaced with the name of a source database from which you were importing data.

## FLASHBACK\_TIME

Default: There is no default

### Purpose

Specifies the system change number (SCN) that Import will use to enable the Flashback utility.

## Syntax and Description

```
FLASHBACK_TIME="TO_TIMESTAMP () "
```

The SCN that most closely matches the specified time is found, and this SCN is used to enable the Flashback utility. The import operation is performed with data that is consistent as of this SCN. Because the `TO_TIMESTAMP` value is enclosed in quotation marks, it would be best to put this parameter in a parameter file. Otherwise, you might need to use escape characters on the command line in front of the quotation marks. See [Use of Quotation Marks On the Data Pump Command Line](#) on page 3-7.

---

**Note:** If you are on a logical standby system, the `FLASHBACK_TIME` parameter is ignored because SCNs are selected by logical standby. See *Oracle Data Guard Concepts and Administration* for information about logical standby databases.

---

## Restrictions

- This parameter is valid only when the `NETWORK_LINK` parameter is also specified.
- The `FLASHBACK_TIME` parameter pertains only to the flashback query capability of Oracle Database. It is not applicable to Flashback Database, Flashback Drop, or Flashback Data Archive.
- `FLASHBACK_TIME` and `FLASHBACK_SCN` are mutually exclusive.

## Example

You can specify the time in any format that the `DBMS_FLASHBACK.ENABLE_AT_TIME` procedure accepts. For example, suppose you have a parameter file, `flashback_imp.par`, that contains the following:

```
FLASHBACK_TIME="TO_TIMESTAMP('25-08-2003 14:35:00', 'DD-MM-YYYY HH24:MI:SS')"
```

You could then issue the following command:

```
> impdp hr DIRECTORY=dpump_dir1 PARFILE=flashback_imp.par NETWORK_LINK=source_
database_link
```

The import operation will be performed with data that is consistent with the SCN that most closely matches the specified time.

**See Also:** *Oracle Database Advanced Application Developer's Guide* for information about using flashback

## FULL

Default: Y

## Purpose

Specifies that you want to perform a full database import.

## Syntax and Description

```
FULL=y
```

A value of `FULL=y` indicates that all data and metadata from the source (either a dump file set or another database) is imported.



Filtering can restrict what is imported using this import mode (see [Filtering During Import Operations](#) on page 3-5).

If the NETWORK\_LINK parameter is used, the USERID that is executing the import job has the IMP\_FULL\_DATABASE role on the target database, then that user must also have the EXP\_FULL\_DATABASE role on the source database.

If you are an unprivileged user importing from a file, only schemas that map to your own schema are imported.

FULL is the default mode when you are performing a file-based import.

### Example

The following is an example of using the FULL parameter. You can create the expfull.dmp dump file used in this example by running the example provided for the Export FULL parameter. See [FULL](#) on page 2-22.

```
> impdp hr DUMPFILE=dpump_dir1:expfull.dmp FULL=y
LOGFILE=dpump_dir2:full_imp.log
```

This example imports everything from the expfull.dmp dump file. In this example, a DIRECTORY parameter is not provided. Therefore, a directory object must be provided on both the DUMPFILE parameter and the LOGFILE parameter. The directory objects can be different, as shown in this example.

## HELP

Default: n

### Purpose

Displays online help for the Import utility.

### Syntax and Description

```
HELP=y
```

If HELP=y is specified, Import displays a summary of all Import command-line parameters and interactive commands.

### Example

```
> impdp HELP = Y
```

This example will display a brief description of all Import parameters and commands.

## INCLUDE

Default: There is no default

### Purpose

Enables you to filter the metadata that is imported by specifying objects and object types for the current import mode.

### Syntax and Description

```
INCLUDE = object_type[:name_clause] [, ...]
```

Only object types in the source (and their dependents) that are explicitly specified in the INCLUDE statement are imported.

The *name\_clause* is optional. It allows fine-grained selection of specific objects within an object type. It is a SQL expression used as a filter on the object names of the type. It consists of a SQL operator and the values against which the object names of the specified type are to be compared. The name clause applies only to object types whose instances have names (for example, it is applicable to `TABLE`, but not to `GRANT`). The optional name clause must be separated from the object type with a colon and enclosed in double quotation marks, because single-quotation marks are required to delimit the name strings.

More than one `INCLUDE` statement can be specified. Oracle recommends that you place `INCLUDE` statements in a parameter file to avoid having to use operating system-specific escape characters on the command line.

To see a list of valid paths for use with the `INCLUDE` parameter, you can query the following views: `DATABASE_EXPORT_OBJECTS` for Full mode, `SCHEMA_EXPORT_OBJECTS` for schema mode, and `TABLE_EXPORT_OBJECTS` for table and tablespace mode.

### Restrictions

- The `INCLUDE` and `EXCLUDE` parameters are mutually exclusive.

### Example

Assume the following is in a parameter file, `imp_include.par`, being used by a DBA or some other user with the `IMP_FULL_DATABASE` role:

```
INCLUDE=FUNCTION
INCLUDE=PROCEDURE
INCLUDE=PACKAGE
INCLUDE=INDEX:"LIKE 'EMP%' "
```

You can then issue the following command:

```
> impdp system SCHEMAS=hr DIRECTORY=dpump_dir1 DUMPFILE=expfull.dmp
PARFILE=imp_include.par
```

You can create the `expfull.dmp` dump file used in this example by running the example provided for the Export `FULL` parameter. See [FULL](#) on page 2-22.

The Import operation will load only functions, procedures, and packages from the `hr` schema and indexes whose names start with `EMP`. Although this is a privileged-mode import (the user must have the `IMP_FULL_DATABASE` role), the schema definition is not imported, because the `USER` object type was not specified in an `INCLUDE` statement.

## JOB\_NAME

Default: system-generated name of the form `SYS_<IMPORT or SQLFILE>_<mode>_NN`

### Purpose

The job name is used to identify the import job in subsequent actions, such as when the `ATTACH` parameter is used to attach to a job, or to identify the job via the `DBA_DATAPUMP_JOBS` or `USER_DATAPUMP_JOBS` views. The job name becomes the name of the master table in the current user's schema. The master table controls the import job.

## Syntax and Description

`JOB_NAME=jobname_string`

The *jobname\_string* specifies a name of up to 30 bytes for this import job. The bytes must represent printable characters and spaces. If spaces are included, the name must be enclosed in single quotation marks (for example, 'Thursday Import'). The job name is implicitly qualified by the schema of the user performing the import operation.

The default job name is system-generated in the form `SYS_IMPORT_mode_NN` or `SYS_SQLFILE_mode_NN`, where `NN` expands to a 2-digit incrementing integer starting at 01. An example of a default name is '`SYS_IMPORT_TABLESPACE_02`'.

## Example

The following is an example of using the `JOB_NAME` parameter. You can create the `expfull.dmp` dump file used in this example by running the example provided for the Export `FULL` parameter. See [FULL](#) on page 2-22.

```
> impdp hr DIRECTORY=dpump_dir1 DUMPFILE=expfull.dmp JOB_NAME=impjob01
```

## LOGFILE

Default: `import.log`

## Purpose

Specifies the name, and optionally, a directory object, for the log file of the import job.

## Syntax and Description

`LOGFILE=[directory_object:]file_name`

If you specify a *directory\_object*, it must be one that was previously established by the DBA and that you have access to. This overrides the directory object specified with the `DIRECTORY` parameter. The default behavior is to create `import.log` in the directory referenced by the directory object specified in the `DIRECTORY` parameter.

If the *file\_name* you specify already exists, it will be overwritten.

All messages regarding work in progress, work completed, and errors encountered are written to the log file. (For a real-time status of the job, use the `STATUS` command in interactive mode.)

A log file is always created unless the `NOLOGFILE` parameter is specified. As with the dump file set, the log file is relative to the server and not the client.

---

**Note:** Data Pump Import writes the log file using the database character set. If your client `NLS_LANG` environment sets up a different client character set from the database character set, then it is possible that table names may be different in the log file than they are when displayed on the client output screen.

---

## Restrictions

- To perform a Data Pump Import using Automatic Storage Management (ASM), you must specify a `LOGFILE` parameter that includes a directory object that does not include the `ASM +` notation. That is, the log file must be written to a disk file, and not written into the ASM storage. Alternatively, you can specify `NOLOGFILE=Y`. However, this prevents the writing of the log file.

### Example

The following is an example of using the LOGFILE parameter. You can create the `expfull.dmp` dump file used in this example by running the example provided for the Export FULL parameter. See [FULL](#) on page 2-22.

```
> impdp hr SCHEMAS=HR DIRECTORY=dpump_dir2 LOGFILE=imp.log
DUMPFIL=dpump_dir1:expfull.dmp
```

Because no directory object is specified on the LOGFILE parameter, the log file is written to the directory object specified on the DIRECTORY parameter.

#### See Also:

- [STATUS](#) on page 3-47
- [Using Directory Objects When Automatic Storage Management Is Enabled](#) on page 1-12 for information about Automatic Storage Management and directory objects

## NETWORK\_LINK

Default: There is no default

### Purpose

Enables an import from a (source) database identified by a valid database link. The data from the source database instance is written directly back to the connected database instance.

### Syntax and Description

`NETWORK_LINK=source_database_link`

The NETWORK\_LINK parameter initiates an import via a database link. This means that the system to which the impdp client is connected contacts the source database referenced by the `source_database_link`, retrieves data from it, and writes the data to the database on the connected instance. There are no dump files involved.

The `source_database_link` provided must be the name of a database link to an available database. If the database on that instance does not already have a database link, you or your DBA must create one. For more information about the CREATE DATABASE LINK statement, see *Oracle Database SQL Language Reference*.

When you perform a network import using the transportable method, you must copy the source data files to the target database *before* you start the import.

If the source database is read-only, then the connected user must have a locally managed tablespace assigned as the default temporary tablespace on the source database. Otherwise, the job will fail. For further details about this, see the information about creating locally managed temporary tablespaces in the *Oracle Database Administrator's Guide*.

This parameter is required when any of the following parameters are specified: FLASHBACK\_SCN, FLASHBACK\_TIME, ESTIMATE, TRANSPORT\_TABLESPACES, or TRANSPORTABLE.

---



---

**Caution:** If an import operation is performed over an unencrypted network link, then all data is imported as clear text even if it is encrypted in the database. See *Oracle Database Advanced Security Administrator's Guide* for more information about network security.

---



---

### Restrictions

- Network imports do not support the use of evolved types.
- When the `NETWORK_LINK` parameter is used in conjunction with the `TABLES` parameter, only whole tables can be imported (not partitions of tables). The only exception to this is if `TRANSPORTABLE=ALWAYS` is also specified, in which case single or multiple partitions of a specified table can be imported.
- If the `USERID` that is executing the import job has the `IMP_FULL_DATABASE` role on the target database, then that user must also have the `EXP_FULL_DATABASE` role on the source database.
- The only types of database links supported by Data Pump Import are: public, fixed-user, and connected-user. Current-user database links are not supported.

### Example

In the following example, the `source_database_link` would be replaced with the name of a valid database link.

```
> impdp hr TABLES=employees DIRECTORY=dpump_dir1
NETWORK_LINK=source_database_link EXCLUDE=CONSTRAINT
```

This example results in an import of the `employees` table (excluding constraints) from the source database. The log file is written to `dpump_dir1`, specified on the `DIRECTORY` parameter.

## NOLOGFILE

Default: n

### Purpose

Specifies whether or not to suppress the default behavior of creating a log file.

### Syntax and Description

`NOLOGFILE={y | n}`

If you specify `NOLOGFILE=Y` to suppress creation of a log file, progress and error information is still written to the standard output device of any attached clients, including the client that started the original export operation. If there are no clients attached to a running job and you specify `NOLOGFILE=Y`, you run the risk of losing important progress and error information.

### Example

The following is an example of using the `NOLOGFILE` parameter.

```
> impdp hr DIRECTORY=dpump_dir1 DUMPFILE=expfull.dmp NOLOGFILE=Y
```

This command results in a full mode import (the default for file-based imports) of the `expfull.dmp` dump file. No log file is written because `NOLOGFILE` is set to `y`.

## PARALLEL

Default: 1

### Purpose

Specifies the maximum number of threads of active execution operating on behalf of the import job.

### Syntax and Description

`PARALLEL=integer`

The value you specify for *integer* specifies the maximum number of threads of active execution operating on behalf of the import job. This execution set consists of a combination of worker processes and parallel I/O server processes. The master control process, idle workers, and worker processes acting as parallel execution coordinators in parallel I/O operations do not count toward this total. This parameter enables you to make trade-offs between resource consumption and elapsed time.

If the source of the import is a dump file set consisting of files, multiple processes can read from the same file, but performance may be limited by I/O contention.

To increase or decrease the value of `PARALLEL` during job execution, use interactive-command mode.

Parallelism is used for loading user data and package bodies, and for building indexes.

**See Also:** [Controlling Resource Consumption](#) on page 4-2

### Restrictions

- This parameter is valid only in the Enterprise Edition of Oracle Database 11g.

### Example

The following is an example of using the `PARALLEL` parameter.

```
> impdp hr DIRECTORY=dpump_dir1 LOGFILE=parallel_import.log
JOB_NAME=imp_par3 DUMPFILE=par_exp%U.dmp PARALLEL=3
```

This command imports the dump file set that is created when you run the example for the Export `PARALLEL` parameter. (See [PARALLEL](#) on page 2-27.) The names of the dump files are `par_exp01.dmp`, `par_exp02.dmp`, and `par_exp03.dmp`.

## PARFILE

Default: There is no default

### Purpose

Specifies the name of an import parameter file.

### Syntax and Description

`PARFILE=[directory_path] file_name`

Unlike dump files, log files, and SQL files which are created and written by the server, the parameter file is opened and read by the client running the `impdp` image.

Therefore, a directory object name is neither required nor appropriate. The default is the user's current directory. The use of parameter files is highly recommended if you

are using parameters whose values require the use of quotation marks. (See [Use of Quotation Marks On the Data Pump Command Line](#) on page 3-7.)

### Restrictions

- The `PARFILE` parameter cannot be specified within a parameter file.

### Example

The content of an example parameter file, `hr_imp.par`, might be as follows:

```
TABLES= countries, locations, regions
DUMPFILE=dpump_dir2:exp1.dmp,exp2%U.dmp
DIRECTORY=dpump_dir1
PARALLEL=3
```

You could then issue the following command to execute the parameter file:

```
> impdp hr PARFILE=hr_imp.par
```

The tables named `countries`, `locations`, and `regions` will be imported from the dump file set that is created when you run the example for the Export `DUMPFILE` parameter. (See [DUMPFILE](#) on page 2-11.) The import job looks for the `exp1.dmp` file in the location pointed to by `dpump_dir2`. It looks for any dump files of the form `exp2<nn>.dmp` in the location pointed to by `dpump_dir1`. The log file for the job will also be written to `dpump_dir1`.

## PARTITION\_OPTIONS

Default: The default is `departition` when partition names are specified on the `TABLES` parameter and `TRANSPORTABLE=ALWAYS` is set (whether on the import operation or during the export). Otherwise, the default is `none`.

### Purpose

Specifies how table partitions should be created during an import operation.

### Syntax and Description

```
PARTITION_OPTIONS={none | departition | merge}
```

A value of `none` creates tables as they existed on the system from which the export operation was performed. You cannot use the `none` option or the `merge` option if the export was performed with the transportable method, along with a partition or subpartition filter. In such a case, you must use the `departition` option.

A value of `departition` promotes each partition or subpartition to a new individual table. The default name of the new table will be the concatenation of the table and partition name or the table and subpartition name, as appropriate.

A value of `merge` combines all partitions and subpartitions into one table.

### Restrictions

- If the export operation that created the dump file was performed with the transportable method and if a partition or subpartition was specified, then the import operation must use the `departition` option.
- If the export operation that created the dump file was performed with the transportable method, then the import operation cannot use `PARTITION_OPTIONS=merge`.

- If there are any grants on objects being departitioned, an error message is generated and the objects are not loaded.

### Example

The following example assumes that the `sh.sales` table has been exported into a dump file named `sales.dmp`. It uses the `MERGE` option to merge all the partitions in `sh.sales` into one non-partitioned table in `scott` schema.

```
> impdp system TABLES=sh.sales PARTITION_OPTIONS=merge
DIRECTORY=dmp_dir1 DUMPFILE=sales.dmp REMAP_SCHEMA=sh:scott
```

**See Also:** [TRANSPORTABLE](#) on page 2-37 for an example of performing an import operation using `PARTITION_OPTIONS=departition`

## QUERY

Default: There is no default

### Purpose

Allows you to specify a query clause that filters the data that gets imported.

### Syntax and Description

```
QUERY=[ [schema_name.] table_name.] query_clause
```

The *query\_clause* is typically a SQL `WHERE` clause for fine-grained row selection, but could be any SQL clause. For example, an `ORDER BY` clause could be used to speed up a migration from a heap-organized table to an index-organized table. If a schema and table name are not supplied, the query is applied to (and must be valid for) all tables in the source dump file set or database. A table-specific query overrides a query applied to all tables.

When the query is to be applied to a specific table, a colon must separate the table name from the query clause. More than one table-specific query can be specified, but only one query can be specified per table.

The query must be enclosed in single or double quotation marks. Double quotation marks are recommended, because strings within the clause must be enclosed in single quotation marks. Oracle recommends that you place `QUERY` specifications in a parameter file to avoid having to use operating system-specific escape characters on the command line. See [Use of Quotation Marks On the Data Pump Command Line](#) on page 3-7.

When the `QUERY` parameter is used, the external tables method (rather than the direct path method) is used for data access.

To specify a schema other than your own in a table-specific query, you must be granted access to that specific table.

### Restrictions

- The `QUERY` parameter cannot be used in conjunction with the following parameters:
  - `CONTENT=METADATA_ONLY`
  - `SQLFILE`



– TRANSPORT\_DATAFILES

- When the `QUERY` parameter is specified for a table, Data Pump uses external tables to load the target table. External tables uses a SQL `INSERT` statement with a `SELECT` clause. The value of the `QUERY` parameter is included in the `WHERE` clause of the `SELECT` portion of the `INSERT` statement. If the `QUERY` parameter includes references to another table with columns whose names match the table being loaded, and if those columns are used in the query, then you will need to use a table alias to distinguish between columns in the table being loaded and columns in the `SELECT` statement with the same name. The table alias used by Data Pump for the table being loaded is `KU$`.

For example, suppose you are importing a subset of the `sh.sales` table based on the credit limit for a customer in the `sh.customers` table. In the following example, `KU$` is used to qualify the `cust_id` field in the `QUERY` parameter for loading `sh.sales`. As a result, Data Pump imports only rows for customers whose credit limit is greater than \$10,000.

```
QUERY='sales:"WHERE EXISTS (SELECT cust_id FROM customers c WHERE cust_credit_
limit > 10000 AND ku$.cust_id = c.cust_id)''
```

If `KU$` is not used for a table alias, the result will be that all rows are loaded:

```
QUERY='sales:"WHERE EXISTS (SELECT cust_id FROM customers c WHERE cust_credit_
limit > 10000 AND cust_id = c.cust_id)''
```

### Example

The following is an example of using the `QUERY` parameter. You can create the `expfull.dmp` dump file used in this example by running the example provided for the Export `FULL` parameter. See [FULL](#) on page 2-22. Because the `QUERY` value uses quotation marks, Oracle recommends that you use a parameter file to avoid having to use escape characters on the command line. (See [Use of Quotation Marks On the Data Pump Command Line](#) on page 3-7.)

Suppose you have a parameter file, `query_imp.par`, that contains the following:

```
QUERY=departments:"WHERE department_id < 120"
```

You can then enter the following command:

```
> impdp hr DIRECTORY=dpump_dir1 DUMPFILE=expfull.dmp
PARFILE=query_imp.par NOLOGFILE=Y
```

All tables in `expfull.dmp` are imported, but for the `departments` table, only data that meets the criteria specified in the `QUERY` parameter is imported.

## REMAP\_DATA

Default: There is no default

### Purpose

The `REMAP_DATA` parameter allows you to remap data as it is being inserted into a new database. A common use is to regenerate primary keys to avoid conflict when importing a table into a pre-existing table on the target database.

You can specify a remap function that takes as a source the value of the designated column from either the dump file or a remote database. The remap function then returns a remapped value that will replace the original value in the target database.

The same function can be applied to multiple columns being dumped. This is useful when you want to guarantee consistency in remapping both the child and parent column in a referential constraint.

### Syntax and Description

`REMAP_DATA=[schema.] tablename.column_name: [schema.] pkg.function`

The description of each syntax element, in the order in which they appear in the syntax, is as follows:

*schema* -- the schema containing the table to be remapped. By default, this is the schema of the user doing the import.

*tablename* -- the table whose column will be remapped.

*column\_name* -- the column whose data is to be remapped.

*schema* -- the schema containing the PL/SQL package you created that contains the remapping function. As a default, this is the schema of the user doing the import.

*pkg* -- the name of the PL/SQL package you created that contains the remapping function.

*function* -- the name of the function within the PL/SQL that will be called to remap the column table in each row of the specified table.

### Restrictions

- The data types of the source argument and the returned value should both match the data type of the designated column in the table.
- Remapping functions should not perform commits or rollbacks except in autonomous transactions.

### Example

The following example assumes a package named `remap` has been created that contains a function named `plusx` that changes the values for `first_name` in the `employees` table.

```
> impdp hr DIRECTORY=dpump_dir1 DUMPFILE=expschema.dmp  
TABLES=hr.employees REMAP_DATA=hr.employees.first_name:hr.remap.plusx
```

## REMAP\_DATAFILE

Default: There is no default

### Purpose

Changes the name of the source datafile to the target datafile name in all SQL statements where the source datafile is referenced: `CREATE TABLESPACE`, `CREATE LIBRARY`, and `CREATE DIRECTORY`.

### Syntax and Description

`REMAP_DATAFILE=source_datafile:target_datafile`

Remapping datafiles is useful when you move databases between platforms that have different file naming conventions. The *source\_datafile* and *target\_datafile* names should be exactly as you want them to appear in the SQL statements where they are referenced. Oracle recommends that you enclose datafile names in quotation

marks to eliminate ambiguity on platforms for which a colon is a valid file specification character.

You must have the `IMP_FULL_DATABASE` role to specify this parameter.

### Example

Because the `REMAP_DATAFILE` value uses quotation marks, Oracle recommends that you specify the parameter within a parameter file to avoid having to use escape characters on the command line. (See [Use of Quotation Marks On the Data Pump Command Line](#) on page 3-7.) For example, suppose you had a parameter file, `payroll.par`, with the following content:

```
DIRECTORY=dpump_dir1
FULL=Y
DUMPFILE=db_full.dmp
REMAP_DATAFILE='DB1$:[HRDATA.PAYROLL]tbs6.f': '/db1/hrdata/payroll/tbs6.f'
```

You can then issue the following command:

```
> impdp hr PARFILE=payroll.par
```

This example remaps a VMS file specification (`DR1$:[HRDATA.PAYROLL]tbs6.f`) to a UNIX file specification, (`/db1/hrdata/payroll/tbs6.f`) for all SQL DDL statements during the import. The dump file, `db_full.dmp`, is located by the directory object, `dpump_dir1`.

## REMAP\_SCHEMA

Default: There is no default

### Purpose

Loads all objects from the source schema into a target schema.

### Syntax and Description

```
REMAP_SCHEMA=source_schema:target_schema
```

Multiple `REMAP_SCHEMA` lines can be specified, but the source schema must be different for each one. However, different source schemas can map to the same target schema. The mapping may not be 100 percent complete, because there are certain schema references that Import is not capable of finding. For example, Import will not find schema references embedded within the body of definitions of types, views, procedures, and packages.

If the schema you are remapping to does not already exist, then the import operation creates it, provided that the dump file set contains the necessary `CREATE USER` metadata for the source schema, and provided that you are importing with enough privileges. For example, entering the following Export commands creates the dump file sets with the necessary metadata to create a schema, because the user `SYSTEM` has the necessary privileges:

```
> expdp system SCHEMAS=hr
Password: password

> expdp system FULL=y
Password: password
```

If your dump file set does not contain the metadata necessary to create a schema, or if you do not have privileges, then the target schema must be created before the import

operation is performed. This is because the unprivileged dump files do not contain the necessary information for the import to create the schema automatically.

If the import operation does create the schema, then after the import is complete, you must assign it a valid password in order to connect to it. The SQL statement to do this, which requires privileges, is:

```
SQL> ALTER USER schema_name IDENTIFIED BY new_password
```

### Restrictions

- Unprivileged users can perform schema remaps only if their schema is the target schema of the remap. (Privileged users can perform unrestricted schema remaps.)
- For example, SCOTT can remap his BLAKE's objects to SCOTT, but SCOTT cannot remap SCOTT's objects to BLAKE.

### Example

Suppose that, as user SYSTEM, you execute the following Export and Import commands to remap the hr schema into the scott schema:

```
> expdp system SCHEMAS=hr DIRECTORY=dpump_dir1 DUMPFILE=hr.dmp
```

```
> impdp system DIRECTORY=dpump_dir1 DUMPFILE=hr.dmp REMAP_SCHEMA=hr.scott
```

In this example, if user scott already exists before the import, then the Import REMAP\_SCHEMA command will add objects from the hr schema into the existing scott schema. You can connect to the scott schema after the import by using the existing password (without resetting it).

If user scott does not exist before you execute the import operation, Import automatically creates it with an unusable password. This is possible because the dump file, hr.dmp, was created by SYSTEM, which has the privileges necessary to create a dump file that contains the metadata needed to create a schema. However, you cannot connect to scott on completion of the import, unless you reset the password for scott on the target database after the import completes.

## REMAP\_TABLE

Default: There is no default

### Purpose

Allows you to rename tables during an import operation performed with the transportable method.

### Syntax and Description

```
REMAP_TABLE=[schema.]old_tablename[.partition]:new_tablename
```

You can use the REMAP\_TABLE parameter to rename entire tables.

You can also use it to override the automatic naming of table partitions that were exported using the transportable method. When partitioned tables are exported using the transportable method, each partition and subpartition is promoted to its own table and by default the table is named by combining the table and partition name (that is, tablename\_partitionname). You can use REMAP\_TABLE to specify a name other than the default.

## Restrictions

- Only objects created by the Import will be remapped. In particular, preexisting tables will not be remapped if `TABLE_EXISTS_ACTION` is set to `TRUNCATE` or `APPEND`.

## Example

The following is an example of using the `REMAP_TABLE` parameter to rename the `employees` table to a new name of `emps`:

```
> impdp hr DIRECTORY=dpump_dir1 DUMPFILE=expschema.dmp
TABLES=hr.employees REMAP_TABLE=hr.employees:emps
```

## REMAP\_TABLESPACE

Default: There is no default

### Purpose

Remaps all objects selected for import with persistent data in the source tablespace to be created in the target tablespace.

### Syntax and Description

```
REMAP_TABLESPACE=source_tablespace:target_tablespace
```

Multiple `REMAP_TABLESPACE` parameters can be specified, but no two can have the same source tablespace. The target schema must have sufficient quota in the target tablespace.

Note that use of the `REMAP_TABLESPACE` parameter is the *only* way to remap a tablespace in Data Pump Import. This is a simpler and cleaner method than the one provided in the original Import utility. That method was subject to many restrictions (including the number of tablespace subclauses) which sometimes resulted in the failure of some DDL commands.

By contrast, the Data Pump Import method of using the `REMAP_TABLESPACE` parameter works for all objects, including the user, and it works regardless of how many tablespace subclauses are in the DDL statement.

### Restrictions

- Data Pump Import can only remap tablespaces for transportable imports in databases where the compatibility level is 10.1 or later.
- Only objects created by the Import will be remapped. In particular, the tablespaces for preexisting tables will not be remapped if `TABLE_EXISTS_ACTION` is set to `SKIP`, `TRUNCATE` or `APPEND`.

### Example

The following is an example of using the `REMAP_TABLESPACE` parameter.

```
> impdp hr REMAP_TABLESPACE=tbs_1:tbs_6 DIRECTORY=dpump_dir1
DUMPFILE=employees.dmp
```

## REUSE\_DATAFILES

Default: n

**Purpose**

Specifies whether or not the import job should reuse existing datafiles for tablespace creation.

**Syntax and Description**

```
REUSE_DATAFILES={y | n}
```

If the default (n) is used and the datafiles specified in `CREATE TABLESPACE` statements already exist, an error message from the failing `CREATE TABLESPACE` statement is issued, but the import job continues.

If this parameter is specified as `y`, the existing datafiles are reinitialized. Be aware that specifying `Y` can result in a loss of data.

**Example**

The following is an example of using the `REUSE_DATAFILES` parameter. You can create the `expfull.dmp` dump file used in this example by running the example provided for the Export FULL parameter. See [FULL](#) on page 2-22.

```
> impdp hr DIRECTORY=dpump_dir1 DUMPFILE=expfull.dmp LOGFILE=reuse.log  
REUSE_DATAFILES=Y
```

This example reinitializes datafiles referenced by `CREATE TABLESPACE` statements in the `expfull.dmp` file.

## SCHEMAS

Default: There is no default

**Purpose**

Specifies that a schema-mode import is to be performed.

**Syntax and Description**

```
SCHEMAS=schema_name [, ...]
```

If you have the `IMP_FULL_DATABASE` role, you can use this parameter to perform a schema-mode import by specifying a list of schemas to import. First, the user definitions are imported (if they do not already exist), including system and role grants, password history, and so on. Then all objects contained within the schemas are imported. Nonprivileged users can specify only their own schemas or schemas remapped to their own schemas. In that case, no information about the schema definition is imported, only the objects contained within it.

The use of filtering can restrict what is imported using this import mode. See [Filtering During Import Operations](#) on page 3-5.

Schema-mode is the default mode when you are performing a network-based import.

**Example**

The following is an example of using the `SCHEMAS` parameter. You can create the `expdat.dmp` file used in this example by running the example provided for the Export SCHEMAS parameter. See [SCHEMAS](#) on page 2-32.

```
> impdp hr SCHEMAS=hr DIRECTORY=dpump_dir1 LOGFILE=schemas.log  
DUMPFILE=expdat.dmp
```

The `hr` schema is imported from the `expdat.dmp` file. The log file, `schemas.log`, is written to `dpump_dir1`.

## SKIP\_UNUSABLE\_INDEXES

Default: the value of the Oracle Database configuration parameter, `SKIP_UNUSABLE_INDEXES`.

### Purpose

Specifies whether or not Import skips loading tables that have indexes that were set to the Index Unusable state (by either the system or the user).

### Syntax and Description

`SKIP_UNUSABLE_INDEXES={y | n}`

If `SKIP_UNUSABLE_INDEXES` is set to `y`, and a table or partition with an index in the Unusable state is encountered, the load of that table or partition proceeds anyway, as if the unusable index did not exist.

If `SKIP_UNUSABLE_INDEXES` is set to `n`, and a table or partition with an index in the Unusable state is encountered, that table or partition is not loaded. Other tables, with indexes not previously set Unusable, continue to be updated as rows are inserted.

If the `SKIP_UNUSABLE_INDEXES` parameter is not specified, then the setting of the Oracle Database configuration parameter, `SKIP_UNUSABLE_INDEXES` (whose default value is `y`), will be used to determine how to handle unusable indexes.

If indexes used to enforce constraints are marked unusable, then the data is not imported into that table.

---

**Note:** This parameter is useful only when importing data into an existing table. It has no practical effect when a table is created as part of an import because in that case, the table and indexes are newly created and will not be marked unusable.

---

### Example

The following is an example of using the `SKIP_UNUSABLE_INDEXES` parameter. You can create the `expfull.dmp` dump file used in this example by running the example provided for the Export FULL parameter. See [FULL](#) on page 2-22.

```
> impdp hr DIRECTORY=dpump_dir1 DUMPFILE=expfull.dmp LOGFILE=skip.log
SKIP_UNUSABLE_INDEXES=y
```

## SQLFILE

Default: There is no default

### Purpose

Specifies a file into which all of the SQL DDL that Import would have executed, based on other parameters, is written.

### Syntax and Description

`SQLFILE=[directory_object:]file_name`

The *file\_name* specifies where the import job will write the DDL that would be executed during the job. The SQL is not actually executed, and the target system remains unchanged. The file is written to the directory object specified in the `DIRECTORY` parameter, unless another *directory\_object* is explicitly specified here. Any existing file that has a name matching the one specified with this parameter is overwritten.

Note that passwords are not included in the SQL file. For example, if a `CONNECT` statement is part of the DDL that was executed, it will be replaced by a comment with only the schema name shown. In the following example, the dashes indicate that a comment follows, and the `hr` schema name is shown, but not the password.

```
-- CONNECT hr
```

Therefore, before you can execute the SQL file, you must edit it by removing the dashes indicating a comment and adding the password for the `hr` schema.

For Streams and other Oracle database options, anonymous PL/SQL blocks may appear within the `SQLFILE` output. They should not be executed directly.

### Restrictions

- If `SQLFILE` is specified, then the `CONTENT` parameter is ignored if it is set to either `ALL` or `DATA_ONLY`.
- To perform a Data Pump Import to a SQL file using Automatic Storage Management (ASM), the `SQLFILE` parameter that you specify must include a directory object that does not use the ASM + notation. That is, the SQL file must be written to a disk file, not into the ASM storage.

### Example

The following is an example of using the `SQLFILE` parameter. You can create the `expfull.dmp` dump file used in this example by running the example provided for the `Export FULL` parameter. See [FULL](#) on page 2-22.

```
> impdp hr DIRECTORY=dpump_dir1 DUMPFILE=expfull.dmp
SQLFILE=dpump_dir2:expfull.sql
```

A SQL file named `expfull.sql` is written to `dpump_dir2`.

## STATUS

Default: 0

### Purpose

Specifies the frequency at which the job status will be displayed.

### Syntax and Description

```
STATUS[=integer]
```

If you supply a value for *integer*, it specifies how frequently, in seconds, job status should be displayed in logging mode. If no value is entered or if the default value of 0 is used, no additional information is displayed beyond information about the completion of each object type, table, or partition.

This status information is written only to your standard output device, not to the log file (if one is in effect).



**Example**

The following is an example of using the `STATUS` parameter. You can create the `expfull.dmp` dump file used in this example by running the example provided for the Export `FULL` parameter. See [FULL](#) on page 2-22.

```
> impdp hr NOLOGFILE=y STATUS=120 DIRECTORY=dpump_dir1 DUMPFILE=expfull.dmp
```

In this example, the status is shown every two minutes (120 seconds).

**STREAMS\_CONFIGURATION**

Default: `y`

**Purpose**

Specifies whether or not to import any Streams metadata that may be present in the export dump file.

**Syntax and Description**

```
STREAMS_CONFIGURATION={y | n}
```

**Example**

The following is an example of using the `STREAMS_CONFIGURATION` parameter. You can create the `expfull.dmp` dump file used in this example by running the example provided for the Export `FULL` parameter. See [FULL](#) on page 2-22.

```
> impdp hr DIRECTORY=dpump_dir1 DUMPFILE=expfull.dmp STREAMS_CONFIGURATION=n
```

**See Also:** *Oracle Streams Replication Administrator's Guide*

**TABLE\_EXISTS\_ACTION**

Default: `SKIP` (Note that if `CONTENT=DATA_ONLY` is specified, the default is `APPEND`, not `SKIP`.)

**Purpose**

Tells Import what to do if the table it is trying to create already exists.

**Syntax and Description**

```
TABLE_EXISTS_ACTION={SKIP | APPEND | TRUNCATE | REPLACE}
```

The possible values have the following effects:

- `SKIP` leaves the table as is and moves on to the next object. This is not a valid option if the `CONTENT` parameter is set to `DATA_ONLY`.
- `APPEND` loads rows from the source and leaves existing rows unchanged.
- `TRUNCATE` deletes existing rows and then loads rows from the source.
- `REPLACE` drops the existing table and then creates and loads it from the source. This is not a valid option if the `CONTENT` parameter is set to `DATA_ONLY`.

The following considerations apply when you are using these options:

- When you use `TRUNCATE` or `REPLACE`, make sure that rows in the affected tables are not targets of any referential constraints.

- When you use `SKIP`, `APPEND`, or `TRUNCATE`, existing table-dependent objects in the source, such as indexes, grants, triggers, and constraints, are ignored. For `REPLACE`, the dependent objects are dropped and re-created from the source, if they were not explicitly or implicitly excluded (using `EXCLUDE`) and they exist in the source dump file or system.
- When you use `APPEND` or `TRUNCATE`, checks are made to ensure that rows from the source are compatible with the existing table prior to performing any action.  
If the existing table has active constraints and triggers, it is loaded using the external tables access method. If any row violates an active constraint, the load fails and no data is loaded. You can override this behavior by specifying `DATA_OPTIONS=SKIP_CONSTRAINT_ERRORS` on the Import command line.  
If you have data that must be loaded, but may cause constraint violations, consider disabling the constraints, loading the data, and then deleting the problem rows before reenabling the constraints.
- When you use `APPEND`, the data is always loaded into new space; existing space, even if available, is not reused. For this reason, you may wish to compress your data after the load.

### Restrictions

- `TRUNCATE` cannot be used on clustered tables or over network links.

### Example

The following is an example of using the `TABLE_EXISTS_ACTION` parameter. You can create the `expfull.dmp` dump file used in this example by running the example provided for the Export `FULL` parameter. See [FULL](#) on page 2-22.

```
> impdp hr TABLES=employees DIRECTORY=dpump_dir1 DUMPFILE=expfull.dmp
TABLE_EXISTS_ACTION=REPLACE
```

## TABLES

Default: There is no default

### Purpose

Specifies that you want to perform a table-mode import.

### Syntax and Description

```
TABLES=[schema_name.]table_name[:partition_name]
```

In a table-mode import, you can filter the data that is imported from the source by specifying a comma-delimited list of tables and partitions or subpartitions.

If you do not supply a *schema\_name*, it defaults to that of the current user. To specify a schema other than your own, you must either have the `IMP_FULL_DATABASE` role or remap the schema to the current user.

The use of filtering can restrict what is imported using this import mode. See [Filtering During Import Operations](#) on page 3-5.

If a *partition\_name* is specified, it must be the name of a partition or subpartition in the associated table.

The use of wildcards to specify table names is also supported; however, only one table expression can be supplied. For example, `TABLES=emp%` would import all tables having names that start with 'EMP'.

### Restrictions

- The use of synonyms as values for the `TABLES` parameter is not supported. For example, if the `regions` table in the `hr` schema had a synonym of `regn`, it would not be valid to use `TABLES=regn`. An error would be returned.
- If you specify more than one `table_name`, they must all reside in the same schema.
- You can only specify partitions from one table if `PARTITION_OPTIONS=DEPARTITION` is also specified on the import.
- When the `NETWORK_LINK` parameter is used in conjunction with the `TABLES` parameter, only whole tables can be imported (not partitions of tables). The only exception to this is if `TRANSPORTABLE=ALWAYS` is also specified, in which case single or multiple partitions of a specified table can be imported.
- If you specify `TRANSPORTABLE=ALWAYS`, then all partitions specified on the `TABLES` parameter must be in the same table.
- The length of the table name list specified for the `TABLES` parameter is limited to a maximum of 4MB, unless you are using the `NETWORK_LINK` parameter to a 10.2.0.3 or earlier database or to a read-only database. In such cases, the limit is 4KB.

### Example

The following example shows a simple use of the `TABLES` parameter to import only the `employees` and `jobs` tables from the `expfull.dmp` file. You can create the `expfull.dmp` dump file used in this example by running the example provided for the Export `FULL` parameter. See [FULL](#) on page 2-22.

```
> impdp hr DIRECTORY=dpump_dir1 DUMPFILE=expfull.dmp TABLES=employees,jobs
```

The following example shows the use of the `TABLES` parameter to import partitions:

```
> impdp hr DIRECTORY=dpump_dir1 DUMPFILE=expdat.dmp
TABLES=sh.sales:sales_Q1_2000,sh.sales:sales_Q2_2000
```

This example imports the partitions `sales_Q1_2000` and `sales_Q2_2000` for the table `sales` in the schema `sh`.

## TABLESPACES

Default: There is no default

### Purpose

Specifies that you want to perform a tablespace-mode import.

### Syntax and Description

```
TABLESPACES=tablespace_name [, ...]
```

Use `TABLESPACES` to specify a list of tablespace names whose tables and dependent objects are to be imported from the source (full, schema, tablespace, or table-mode export dump file set or another database).

During the following import situations, Data Pump automatically creates the tablespaces into which the data will be imported:

- The import is being done in FULL or TRANSPORT\_TABLESPACES mode
- The import is being done in table mode with TRANSPORTABLE=ALWAYS

In all other cases, the tablespaces for the selected objects must already exist on the import database. You could also use the Import REMAP\_TABLESPACE parameter to map the tablespace name to an existing tablespace on the import database.

The use of filtering can restrict what is imported using this import mode. See [Filtering During Import Operations](#) on page 3-5.

### Restrictions

- The length of the list of tablespace names specified for the TABLESPACES parameter is limited to a maximum of 4MB, unless you are using the NETWORK\_LINK parameter to a 10.2.0.3 or earlier database or to a read-only database. In such cases, the limit is 4KB.

### Example

The following is an example of using the TABLESPACES parameter. It assumes that the tablespaces already exist. You can create the `expfull.dmp` dump file used in this example by running the example provided for the Export FULL parameter. See [FULL](#) on page 2-22.

```
> impdp hr DIRECTORY=dpump_dir1 DUMPFILE=expfull.dmp TABLESPACES=tbs_1,tbs_2,tbs_3,tbs_4
```

This example imports all tables that have data in tablespaces `tbs_1`, `tbs_2`, `tbs_3`, and `tbs_4`.

## TRANSFORM

Default: There is no default

### Purpose

Enables you to alter object creation DDL for objects being imported.

### Syntax and Description

```
TRANSFORM = transform_name:value[:object_type]
```

The *transform\_name* specifies the name of the transform. The possible options are as follows:

- SEGMENT\_ATTRIBUTES - If the value is specified as *y*, then segment attributes (physical attributes, storage attributes, tablespaces, and logging) are included, with appropriate DDL. The default is *y*.
- STORAGE - If the value is specified as *y*, the storage clauses are included, with appropriate DDL. The default is *y*. This parameter is ignored if SEGMENT\_ATTRIBUTES=*n*.
- OID - If the value is specified as *n*, the assignment of the exported OID during the creation of object tables and types is inhibited. Instead, a new OID is assigned. This can be useful for cloning schemas, but does not affect referenced objects. The default value is *y*.

- PCTSPACE - The *value* supplied for this transform must be a number greater than zero. It represents the percentage multiplier used to alter extent allocations and the size of datafiles.

Note that you can use the PCTSPACE transform in conjunction with the Data Pump Export SAMPLE parameter so that the size of storage allocations matches the sampled data subset. (See [SAMPLE](#) on page 2-31.)

The type of *value* specified depends on the transform used. Boolean values (y/n) are required for the SEGMENT\_ATTRIBUTES, STORAGE, and OID transforms. Integer values are required for the PCTSPACE transform.

The *object\_type* is optional. If supplied, it designates the object type to which the transform will be applied. If no object type is specified then the transform applies to all valid object types. The valid object types for each transform are shown in [Table 3-1](#).

**Table 3-1 Valid Object Types For the Data Pump Export TRANSFORM Parameter**

	SEGMENT_ATTRIBUTES	STORAGE	OID	PCTSPACE
CLUSTER	X	X		X
CONSTRAINT	X	X		X
INC_TYPE			X	
INDEX	X	X		X
ROLLBACK_SEGMENT	X	X		X
TABLE	X	X	X	X
TABLESPACE	X			X
TYPE			X	

### Example

For the following example, assume that you have exported the `employees` table in the `hr` schema. The SQL CREATE TABLE statement that results when you then import the table is similar to the following:

```
CREATE TABLE "HR"."EMPLOYEES"
  ("EMPLOYEE_ID" NUMBER(6,0),
   "FIRST_NAME" VARCHAR2(20),
   "LAST_NAME" VARCHAR2(25) CONSTRAINT "EMP_LAST_NAME_NN" NOT NULL ENABLE,
   "EMAIL" VARCHAR2(25) CONSTRAINT "EMP_EMAIL_NN" NOT NULL ENABLE,
   "PHONE_NUMBER" VARCHAR2(20),
   "HIRE_DATE" DATE CONSTRAINT "EMP_HIRE_DATE_NN" NOT NULL ENABLE,
   "JOB_ID" VARCHAR2(10) CONSTRAINT "EMP_JOB_NN" NOT NULL ENABLE,
   "SALARY" NUMBER(8,2),
   "COMMISSION_PCT" NUMBER(2,2),
   "MANAGER_ID" NUMBER(6,0),
   "DEPARTMENT_ID" NUMBER(4,0)
 ) PCTFREE 10 PCTUSED 40 INITRANS 1 MAXTRANS 255 NOCOMPRESS LOGGING
  STORAGE(INITIAL 10240 NEXT 16384 MINEXTENTS 1 MAXEXTENTS 121
  PCTINCREASE 50 FREELISTS 1 FREELIST GROUPS 1 BUFFER_POOL DEFAULT)
  TABLESPACE "SYSTEM" ;
```

If you do not want to retain the STORAGE clause or TABLESPACE clause, you can remove them from the CREATE STATEMENT by using the Import TRANSFORM parameter. Specify the value of SEGMENT\_ATTRIBUTES as `n`. This results in the exclusion of segment attributes (both storage and tablespace) from the table.

```
> impdp hr TABLES=hr.employees \
  DIRECTORY=dpump_dir1 DUMPFILE=hr_emp.dmp \
  TRANSFORM=SEGMENT_ATTRIBUTES:n:table
```

The resulting CREATE TABLE statement for the employees table would then look similar to the following. It does not contain a STORAGE or TABLESPACE clause; the attributes for the default tablespace for the HR schema will be used instead.

```
CREATE TABLE "HR"."EMPLOYEES"
  ( "EMPLOYEE_ID" NUMBER(6,0),
    "FIRST_NAME" VARCHAR2(20),
    "LAST_NAME" VARCHAR2(25) CONSTRAINT "EMP_LAST_NAME_NN" NOT NULL ENABLE,
    "EMAIL" VARCHAR2(25) CONSTRAINT "EMP_EMAIL_NN" NOT NULL ENABLE,
    "PHONE_NUMBER" VARCHAR2(20),
    "HIRE_DATE" DATE CONSTRAINT "EMP_HIRE_DATE_NN" NOT NULL ENABLE,
    "JOB_ID" VARCHAR2(10) CONSTRAINT "EMP_JOB_NN" NOT NULL ENABLE,
    "SALARY" NUMBER(8,2),
    "COMMISSION_PCT" NUMBER(2,2),
    "MANAGER_ID" NUMBER(6,0),
    "DEPARTMENT_ID" NUMBER(4,0)
  );
```

As shown in the previous example, the SEGMENT\_ATTRIBUTES transform applies to both storage and tablespace attributes. To omit only the STORAGE clause and retain the TABLESPACE clause, you can use the STORAGE transform, as follows:

```
> impdp hr TABLES=hr.employees \
  DIRECTORY=dpump_dir1 DUMPFILE=hr_emp.dmp \
  TRANSFORM=STORAGE:n:table
```

The SEGMENT\_ATTRIBUTES and STORAGE transforms can be applied to all applicable table and index objects by not specifying the object type on the TRANSFORM parameter, as shown in the following command:

```
> impdp hr DIRECTORY=dpump_dir1 DUMPFILE=hr.dmp \
  SCHEMAS=hr TRANSFORM=SEGMENT_ATTRIBUTES:n
```

## TRANSPORT\_DATAFILES

Default: There is no default

### Purpose

Specifies a list of datafiles to be imported into the target database by a transportable-mode import, or by a table mode import if TRANSPORTABLE=ALWAYS was set during the export. The files must already have been copied from the source database system to the target database system.

### Syntax and Description

```
TRANSPORT_DATAFILES=datafile_name
```

The *datafile\_name* must include an absolute directory path specification (*not* a directory object name) that is valid on the system where the target database resides.

### Example

The following is an example of using the TRANSPORT\_DATAFILES parameter. Because the TRANSPORT\_DATAFILES value is enclosed in quotation marks, Oracle recommends that you use a parameter file to avoid having to use escape characters on the command line. (See [Use of Quotation Marks On the Data Pump Command Line](#) on

page 3-7.) Assume you have a parameter file, `trans_datafiles.par`, with the following content:

```
DIRECTORY=dpump_dir1
DUMPFILE=tts.dmp
TRANSPORT_DATAFILES='/user01/data/tbs1.f'
```

You can then issue the following command:

```
> impdp hr PARFILE=trans_datafiles.par
```

## TRANSPORT\_FULL\_CHECK

Default: n

### Purpose

Specifies whether to verify that the specified transportable tablespace set is being referenced by objects in other tablespaces.

### Syntax and Description

```
TRANSPORT_FULL_CHECK={y | n}
```

If `TRANSPORT_FULL_CHECK=y`, then Import verifies that there are no dependencies between those objects inside the transportable set and those outside the transportable set. The check addresses two-way dependencies. For example, if a table is inside the transportable set but its index is not, a failure is returned and the import operation is terminated. Similarly, a failure is also returned if an index is in the transportable set but the table is not.

If `TRANSPORT_FULL_CHECK=n`, then Import verifies only that there are no objects within the transportable set that are dependent on objects outside the transportable set. This check addresses a one-way dependency. For example, a table is not dependent on an index, but an index *is* dependent on a table, because an index without a table has no meaning. Therefore, if the transportable set contains a table, but not its index, then this check succeeds. However, if the transportable set contains an index, but not the table, the import operation is terminated.

In addition to this check, Import always verifies that all storage segments of all tables (and their indexes) defined within the tablespace set specified by `TRANSPORT_TABLESPACES` are actually contained within the tablespace set.

### Restrictions

- This parameter is valid for transportable mode (or table mode when `TRANSPORTABLE=ALWAYS` was specified on the export) only when the `NETWORK_LINK` parameter is specified.

### Example

In the following example, `source_database_link` would be replaced with the name of a valid database link. The example also assumes that a datafile named `tbs6.f` already exists.

Because the `TRANSPORT_DATAFILES` value is enclosed in quotation marks, Oracle recommends that you use a parameter file to avoid having to use escape characters on the command line. (See [Use of Quotation Marks On the Data Pump Command Line](#) on page 3-7.) For example, assume you have a parameter file, `full_check.par`, with the following content:

```
DIRECTORY=dpump_dir1
TRANSPORT_TABLESPACES=tbs_6
NETWORK_LINK=source_database_link
TRANSPORT_FULL_CHECK=y
TRANSPORT_DATAFILES='/wkdir/data/tbs6.f'
```

You can then issue the following command:

```
> impdp hr PARFILE=full_check.par
```

## TRANSPORT\_TABLESPACES

Default: There is no default

### Purpose

Specifies that you want to perform a transportable-tablespace-mode import over a network link.

### Syntax and Description

```
TRANSPORT_TABLESPACES=tablespace_name [, ...]
```

Use the `TRANSPORT_TABLESPACES` parameter to specify a list of tablespace names for which object metadata will be imported from the source database into the target database.

Because this is a transportable-mode import, the tablespaces into which the data is imported are automatically created by Data Pump. You do not need to pre-create them. However, the data files should be copied to the target database prior to starting the import.

### Restrictions

- You cannot export transportable tablespaces and then import them into a database at a lower release level. The target database into which you are importing must be at the same or higher release level as the source database.
- The `TRANSPORT_TABLESPACES` parameter is valid only when the `NETWORK_LINK` parameter is also specified.
- Transportable mode does not support encrypted columns.

### Example

In the following example, the `source_database_link` would be replaced with the name of a valid database link. The example also assumes that a datafile named `tbs6.f` has already been copied from the source database to the local system. Because the `TRANSPORT_DATAFILES` value is enclosed in quotation marks, Oracle recommends that you use a parameter file to avoid having to use escape characters on the command line. (See [Use of Quotation Marks On the Data Pump Command Line](#) on page 3-7.) Suppose you have a parameter file, `tablespaces.par`, with the following content:

```
DIRECTORY=dpump_dir1
NETWORK_LINK=source_database_link
TRANSPORT_TABLESPACES=tbs_6
TRANSPORT_FULL_CHECK=n
TRANSPORT_DATAFILES='user01/data/tbs6.f'
```

You can then issue the following command:



```
> impdp hr PARFILE=tablespaces.par
```

## TRANSPORTABLE

Default: NEVER

### Purpose

Specifies whether or not the transportable option should be used when a table-mode import (specified with the TABLES parameter) is performed.

### Syntax and Description

```
TRANSPORTABLE = {ALWAYS | NEVER}
```

The definitions of the allowed values are as follows:

ALWAYS - Instructs the import job to use the transportable option. If transportable is not possible, the job will fail.

NEVER - Instructs the import job to use either the direct path or external table method to load data rather than the transportable option. This is the default.

### Restrictions

- The TRANSPORTABLE parameter is valid only if the NETWORK\_LINK parameter is also specified.
- The TRANSPORTABLE parameter is only valid in table mode imports (the tables do not have to be partitioned or subpartitioned).
- The schema performing a transportable import requires the EXP\_FULL\_DATABASE role on the source database and the IMP\_FULL\_DATABASE role on the target database.
- To make full use of the TRANSPORTABLE parameter, the COMPATIBLE initialization parameter must be set to at least 11.0.0.

### Example

The following example shows the use of the TRANSPORTABLE parameter during a network link import.

```
> impdp system TABLES=hr.sales TRANSPORTABLE=always
  DIRECTORY=dpump_dir1 NETWORK_LINK=dbs1 PARTITION_OPTIONS=departition
  TRANSPORT_DATAFILES=datafile_name
```

## VERSION

Default: COMPATIBLE

### Purpose

Specifies the version of database objects to be imported. Note that this does *not* mean that Data Pump Import can be used with versions of Oracle Database prior to 10.1. Data Pump Import only works with Oracle Database 10g release 1 (10.1) or later. The VERSION parameter simply allows you to identify the version of the objects being imported.

### Syntax and Description

```
VERSION={COMPATIBLE | LATEST | version_string}
```

This parameter can be used to load a target system whose Oracle database is at an earlier compatibility version than that of the source system. Database objects or attributes on the source system that are incompatible with the specified version will not be moved to the target. For example, tables containing new datatypes that are not supported in the specified version will not be imported. Legal values for this parameter are as follows:

- COMPATIBLE - This is the default value. The version of the metadata corresponds to the database compatibility level. Database compatibility must be set to 9.2.0 or higher.
- LATEST - The version of the metadata corresponds to the database version.
- *version\_string* - A specific database version (for example, 11.1.0). In Oracle Database 11g, this value must be 9.2.0 or higher.

**See Also:** [Moving Data Between Different Database Versions](#) on page 1-13

### Example

The following is an example of using the VERSION parameter. You can create the `expfull.dmp` dump file used in this example by running the example provided for the Export FULL parameter. See [FULL](#) on page 2-22.

```
> impdp hr DIRECTORY=dpump_dir1 DUMPFILE=expfull.dmp TABLES=employees
VERSION=LATEST
```

## How Data Pump Import Parameters Map to Those of the Original Import Utility

[Table 3–2](#) maps, as closely as possible, Data Pump Import parameters to original Import parameters. In some cases, because of feature redesign, the original Import parameter is no longer needed so there is no Data Pump command to compare it to. Also, as shown in the table, some of the parameter names may be the same, but the functionality is slightly different.

**Table 3–2 Original Import Parameters and Their Counterparts in Data Pump Import**

Original Import Parameter	Comparable Data Pump Import Parameter
BUFFER	A parameter comparable to BUFFER is not needed.
CHARSET	A parameter comparable to CHARSET is not needed.
COMMIT	A parameter comparable to COMMIT is not supported.
COMPILE	A parameter comparable to COMPILE is not supported.
CONSTRAINTS	EXCLUDE=CONSTRAINT
DATAFILES	TRANSPORT_DATAFILES
DESTROY	REUSE_DATAFILES
FEEDBACK	STATUS
FILE	DUMPFILE
FILESIZE	Not necessary. It is included in the dump file set.
FROMUSER	SCHEMAS
FULL	FULL

**Table 3–2 (Cont.) Original Import Parameters and Their Counterparts in Data Pump**

<b>Original Import Parameter</b>	<b>Comparable Data Pump Import Parameter</b>
GRANTS	EXCLUDE=GRANT
HELP	HELP
IGNORE	TABLE_EXISTS_ACTION
INDEXES	EXCLUDE=INDEX
INDEXFILE	SQLFILE with INCLUDE INDEX
LOG	LOGFILE
PARFILE	PARFILE
RECORDLENGTH	A parameter comparable to RECORDLENGTH is not needed.
RESUMABLE	A parameter comparable to RESUMABLE is not needed. This functionality is automatically provided for users who have been granted the IMP_FULL_DATABASE role.
RESUMABLE_NAME	A parameter comparable to RESUMABLE_NAME is not needed. This functionality is automatically provided for users who have been granted the IMP_FULL_DATABASE role.
RESUMABLE_TIMEOUT	A parameter comparable to RESUMABLE_TIMEOUT is not needed. This functionality is automatically provided for users who have been granted the IMP_FULL_DATABASE role.
ROWS=N	CONTENT=METADATA_ONLY
ROWS=Y	CONTENT=ALL
SHOW	SQLFILE
SKIP_UNUSABLE_INDEXES	SKIP_UNUSABLE_INDEXES
STATISTICS	The STATISTICS parameter in Original Import took four possible values: ALWAYS, SAFE, RECALCULATE, and NONE. The Data Pump parameter that is equivalent to Original Import's STATISTICS=NONE is EXCLUDE=STATISTICS. A Data Pump Import parameter comparable to STATISTICS=ALWAYS   SAFE   RECALCULATE is not needed, because if the source table has statistics, they are imported by default.
STREAMS_CONFIGURATION	STREAMS_CONFIGURATION
STREAMS_INSTANTIATION	A parameter comparable to STREAMS_INSTANTIATION is not needed.
TABLES	TABLES
TABLESPACES	TABLESPACES
TOID_NOVALIDATE	A command comparable to TOID_NOVALIDATE is not needed. OIDs are no longer used for type validation.
TOUSER	REMAP_SCHEMA
TRANSPORT_TABLESPACE	A parameter comparable to TRANSPORT_TABLESPACE is not needed because metadata is stored in the dump file set.
TRANSPORT_TABLESPACE	
TTS_OWNERS	A parameter comparable to TTS_OWNERS is not needed because the information is stored in the dump file set.

**Table 3–2 (Cont.) Original Import Parameters and Their Counterparts in Data Pump**

Original Import Parameter	Comparable Data Pump Import Parameter
USERID	A parameter comparable to USERID is not needed. This information is supplied as the username and password when you invoke Import.
VOLSIZE	A parameter comparable to VOLSIZE is not needed because tapes are not supported.

## Commands Available in Import's Interactive-Command Mode

In interactive-command mode, the current job continues running, but logging to the terminal is suspended and the Import prompt (`Import>`) is displayed.

---

**Note:** Data Pump Import interactive-command mode is different from the interactive mode for original Import, in which Import prompted you for input. See [Interactive Mode](#) on page 20-6 for information about interactive mode in original Import.

---

To start interactive-command mode, do one of the following:

- From an attached client, press Ctrl+C.
- From a terminal other than the one on which the job is running, use the `ATTACH` parameter to attach to the job. This is a useful feature in situations in which you start a job at one location and need to check on it at a later time from a different location.

[Table 3–3](#) lists the activities you can perform for the current job from the Data Pump Import prompt in interactive-command mode.

**Table 3–3 Supported Activities in Data Pump Import's Interactive-Command Mode**

Activity	Command Used
Exit interactive-command mode	<a href="#">CONTINUE_CLIENT</a> on page 3-45
Stop the import client session, but leave the current job running	<a href="#">EXIT_CLIENT</a> on page 3-45
Display a summary of available commands	<a href="#">HELP</a> on page 3-45
Detach all currently attached client sessions and kill the current job	<a href="#">KILL_JOB</a> on page 3-46
Increase or decrease the number of active worker processes for the current job. This command is valid only in the Enterprise Edition.	<a href="#">PARALLEL</a> on page 3-46
Restart a stopped job to which you are attached	<a href="#">START_JOB</a> on page 3-46
Display detailed status for the current job	<a href="#">STATUS</a> on page 3-47
Stop the current job	<a href="#">STOP_JOB</a> on page 3-47

The following are descriptions of the commands available in the interactive-command mode of Data Pump Import.

## CONTINUE\_CLIENT

### Purpose

Changes the mode from interactive-command mode to logging mode.

### Syntax and Description

CONTINUE\_CLIENT

In logging mode, the job status is continually output to the terminal. If the job is currently stopped, then CONTINUE\_CLIENT will also cause the client to attempt to start the job.

### Example

```
Import> CONTINUE_CLIENT
```

## EXIT\_CLIENT

### Purpose

Stops the import client session, exits Import, and discontinues logging to the terminal, but leaves the current job running.

### Syntax and Description

EXIT\_CLIENT

Because EXIT\_CLIENT leaves the job running, you can attach to the job at a later time if it is still executing or in a stopped state. To see the status of the job, you can monitor the log file for the job or you can query the USER\_DATAPUMP\_JOBS view or the V\$SESSION\_LONGOPS view.

### Example

```
Import> EXIT_CLIENT
```

## HELP

### Purpose

Provides information about Data Pump Import commands available in interactive-command mode.

### Syntax and Description

HELP

Displays information about the commands available in interactive-command mode.

### Example

```
Import> HELP
```

## KILL\_JOB

### Purpose

Detaches all currently attached client sessions and then kills the current job. It exits Import and returns to the terminal prompt.

### Syntax and Description

`KILL_JOB`

A job that is killed using `KILL_JOB` cannot be restarted. All attached clients, including the one issuing the `KILL_JOB` command, receive a warning that the job is being killed by the current user and are then detached. After all clients are detached, the job's process structure is immediately run down and the master table and dump files are deleted. Log files are not deleted.

### Example

```
Import> KILL_JOB
```

## PARALLEL

### Purpose

Enables you to increase or decrease the number of active worker processes and/or PQ slaves for the current job.

### Syntax and Description

`PARALLEL=integer`

`PARALLEL` is available as both a command-line parameter and an interactive-mode parameter. You set it to the desired number of parallel processes. An increase takes effect immediately if there are enough resources and if there is a sufficient amount of work requiring parallelization. A decrease does not take effect until an existing process finishes its current task. If the integer value is decreased, workers are idled but not deleted until the job exits.

**See Also:** [PARALLEL](#) on page 3-22 for more information about parallelism

### Restrictions

- `PARALLEL` is available only in Enterprise Edition.

### Example

```
Import> PARALLEL=10
```

## START\_JOB

### Purpose

Starts the current job to which you are attached.

### Syntax and Description

`START_JOB[=skip_current=y]`

The `START_JOB` command restarts the job to which you are currently attached (the job cannot be currently executing). The job is restarted with no data loss or corruption after an unexpected failure or after you issue a `STOP_JOB` command, provided the dump file set and master table remain undisturbed.

The `SKIP_CURRENT` option allows you to restart a job that previously failed to restart because execution of some DDL statement failed. The failing statement is skipped and the job is restarted from the next work item.

Neither `SQLFILE` jobs nor `transportable-tablespace-mode` imports are restartable.

### Example

```
Import> START_JOB
```

## STATUS

### Purpose

Displays the cumulative status of the job, along with a description of the current operation. A completion percentage for the job is also returned.

### Syntax and Description

```
STATUS[=integer]
```

You have the option of specifying how frequently, in seconds, this status should be displayed in logging mode. If no value is entered or if the default value of 0 is used, the periodic status display is turned off and status is displayed only once.

This status information is written only to your standard output device, not to the log file (even if one is in effect).

### Example

The following example will display the current job status and change the logging mode display interval to two minutes (120 seconds).

```
Import> STATUS=120
```

## STOP\_JOB

### Purpose

Stops the current job either immediately or after an orderly shutdown, and exits Import.

### Syntax and Description

```
STOP_JOB[=IMMEDIATE]
```

If the master table and dump file set are not disturbed when or after the `STOP_JOB` command is issued, the job can be attached to and restarted at a later time with the `START_JOB` command.

To perform an orderly shutdown, use `STOP_JOB` (without any associated value). A warning requiring confirmation will be issued. An orderly shutdown stops the job after worker processes have finished their current tasks.

To perform an immediate shutdown, specify `STOP_JOB=IMMEDIATE`. A warning requiring confirmation will be issued. All attached clients, including the one issuing

the `STOP_JOB` command, receive a warning that the job is being stopped by the current user and they will be detached. After all clients are detached, the process structure of the job is immediately run down. That is, the master process will not wait for the worker processes to finish their current tasks. There is no risk of corruption or data loss when you specify `STOP_JOB=IMMEDIATE`. However, some tasks that were incomplete at the time of shutdown may have to be redone at restart time.

### Example

```
Import> STOP_JOB=IMMEDIATE
```

## Examples of Using Data Pump Import

This section provides examples of the following ways in which you might use Data Pump Import:

- [Performing a Data-Only Table-Mode Import](#)
- [Performing a Schema-Mode Import](#)
- [Performing a Network-Mode Import](#)

For information that will help you to successfully use these examples, see [Using the Import Parameter Examples](#) on page 3-6.

### Performing a Data-Only Table-Mode Import

[Example 3-1](#) shows how to perform a data-only table-mode import of the table named `employees`. It uses the dump file created in [Example 2-1](#).

#### **Example 3-1 Performing a Data-Only Table-Mode Import**

```
> impdp hr TABLES=employees CONTENT=DATA_ONLY DUMPFILE=dpump_dir1:table.dmp
NOLOGFILE=y
```

The `CONTENT=DATA_ONLY` parameter filters out any database object definitions (metadata). Only table row data is loaded.

### Performing a Schema-Mode Import

[Example 3-2](#) shows a schema-mode import of the dump file set created in [Example 2-4](#).

#### **Example 3-2 Performing a Schema-Mode Import**

```
> impdp hr SCHEMAS=hr DIRECTORY=dpump_dir1 DUMPFILE=expschema.dmp
EXCLUDE=CONSTRAINT,REF_CONSTRAINT,INDEX TABLE_EXISTS_ACTION=REPLACE
```

The `EXCLUDE` parameter filters the metadata that is imported. For the given mode of import, all the objects contained within the source, and all their dependent objects, are included except those specified in an `EXCLUDE` statement. If an object is excluded, all of its dependent objects are also excluded.

The `TABLE_EXISTS_ACTION=REPLACE` parameter tells Import to drop the table if it already exists and to then re-create and load it using the dump file contents.



## Performing a Network-Mode Import

[Example 3-3](#) performs a network-mode import where the source is the database specified by the `NETWORK_LINK` parameter.

### Example 3-3 Network-Mode Import of Schemas

```
> impdp hr TABLES=employees REMAP_SCHEMA=hr:scott DIRECTORY=dpump_dir1
NETWORK_LINK=dblink
```

This example imports the `employees` table from the `hr` schema into the `scott` schema. The `dblink` references a source database that is different than the target database.

To remap the schema, user `hr` must have the `IMP_FULL_DATABASE` role on the local database and the `EXP_FULL_DATABASE` role on the source database.

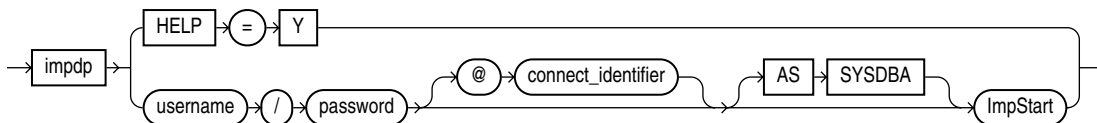
`REMAP_SCHEMA` loads all the objects from the source schema into the target schema.

**See Also:** [NETWORK\\_LINK](#) on page 3-20 for more information about database links

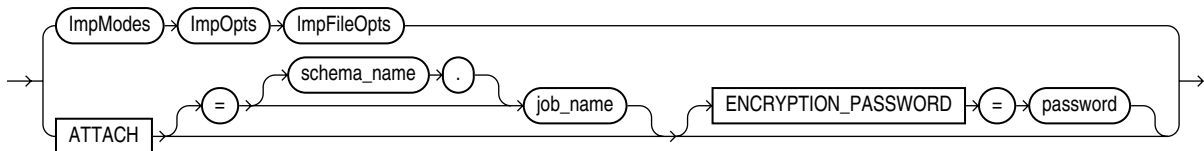
## Syntax Diagrams for Data Pump Import

This section provides syntax diagrams for Data Pump Import. These diagrams use standard SQL syntax notation. For more information about SQL syntax notation, see *Oracle Database SQL Language Reference*.

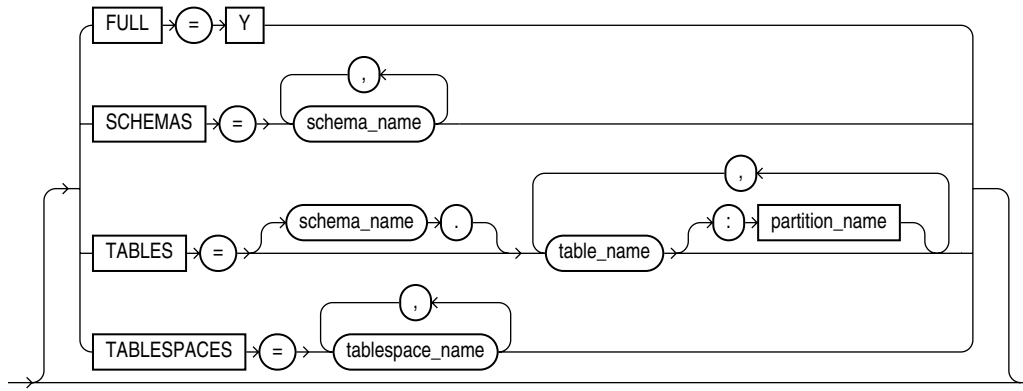
### ImpInit



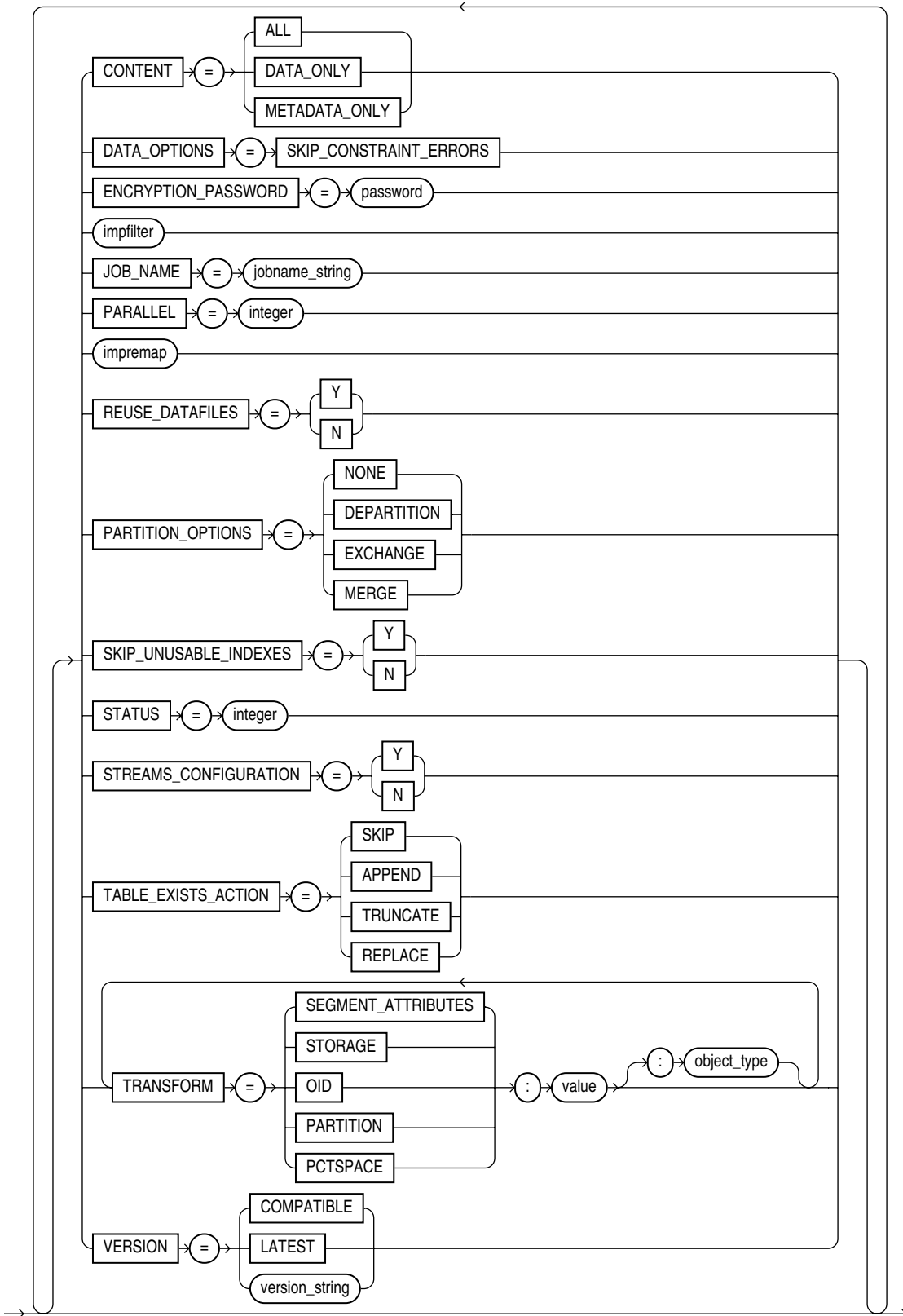
### ImpStart



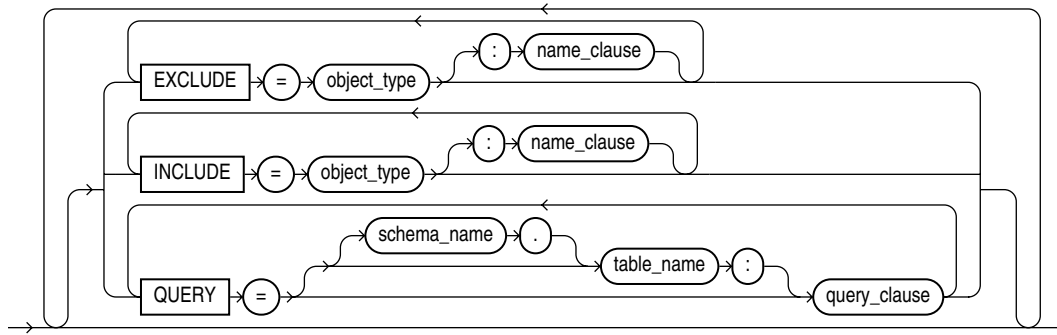
### ImpModes



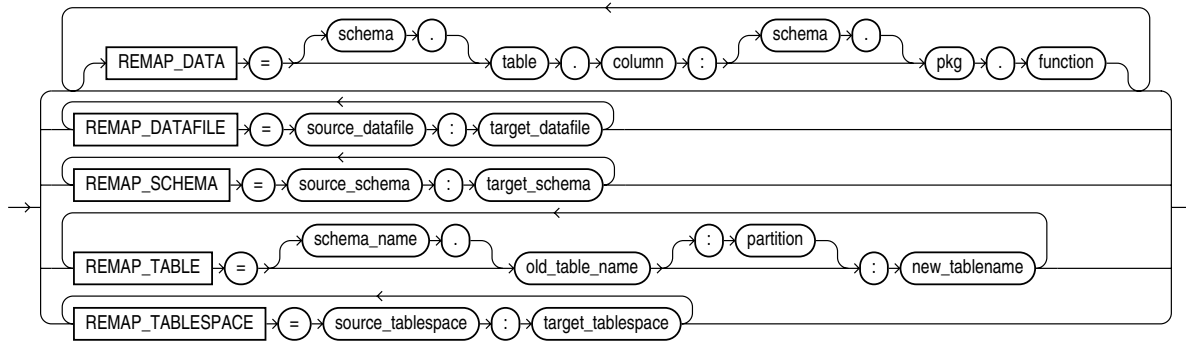
### ImpOpts



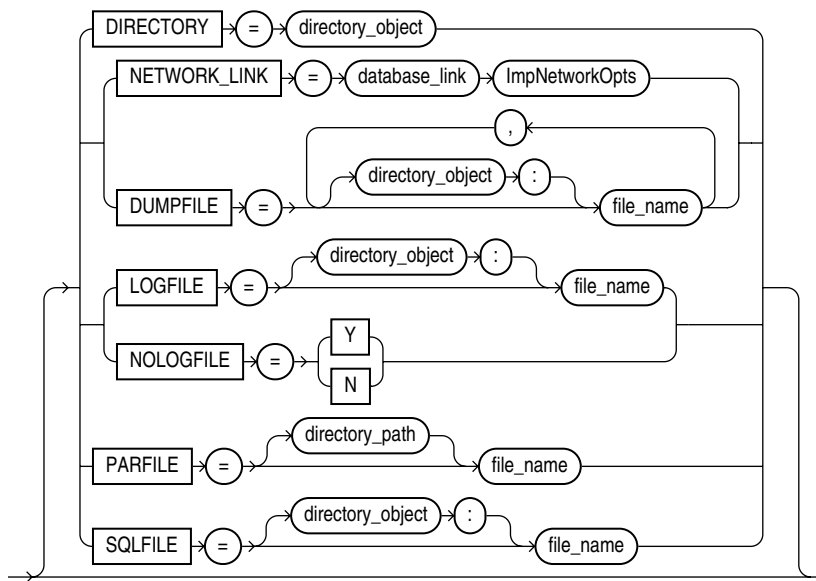
### ImpFilter



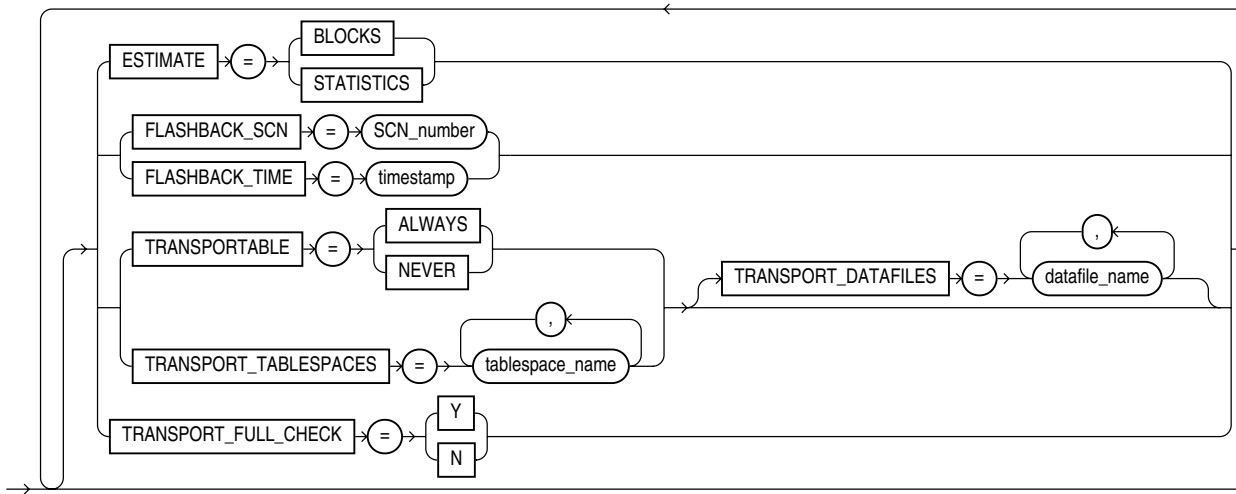
### ImpRemap



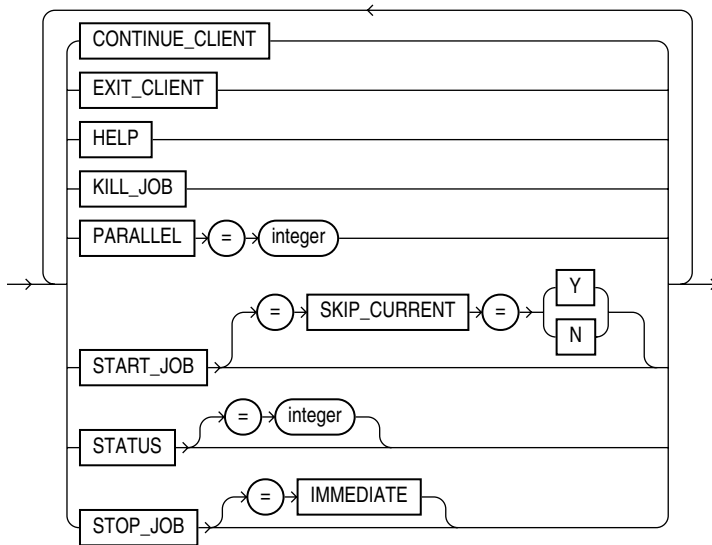
### ImpFileOpts



### ImpNetworkOpts



### ImpDynOpts





---

---

## Data Pump Performance

The Data Pump utilities are designed especially for very large databases. If your site has very large quantities of data versus metadata, you should experience a dramatic increase in performance compared to the original Export and Import utilities. This chapter briefly discusses why the performance is better and also suggests specific steps you can take to enhance performance of export and import operations.

This chapter contains the following sections:

- [Data Performance Improvements for Data Pump Export and Import](#)
- [Tuning Performance](#)
- [Initialization Parameters That Affect Data Pump Performance](#)

Performance of metadata extraction and database object creation in Data Pump Export and Import remains essentially equivalent to that of the original Export and Import utilities.

### Data Performance Improvements for Data Pump Export and Import

The improved performance of the Data Pump Export and Import utilities is attributable to several factors, including the following:

- Multiple worker processes can perform intertable and interpartition parallelism to load and unload tables in multiple, parallel, direct-path streams.
- For very large tables and partitions, single worker processes can choose intrapartition parallelism through multiple parallel queries and parallel DML I/O server processes when the external tables method is used to access data.
- Data Pump uses parallelism to build indexes and load package bodies.
- Dump files are read and written directly by the server and, therefore, do not require any data movement to the client.
- The dump file storage format is the internal stream format of the direct path API. This format is very similar to the format stored in Oracle database datafiles inside of tablespaces. Therefore, no client-side conversion to `INSERT` statement bind variables is performed.
- The supported data access methods, direct path and external tables, are faster than conventional SQL. The direct path API provides the fastest single-stream performance. The external tables feature makes efficient use of the parallel queries and parallel DML capabilities of the Oracle database.
- Metadata and data extraction can be overlapped during export.

## Tuning Performance

Data Pump technology fully uses all available resources to maximize throughput and minimize elapsed job time. For this to happen, a system must be well-balanced across CPU, memory, and I/O. In addition, standard performance tuning principles apply. For example, for maximum performance you should ensure that the files that are members of a dump file set reside on separate disks, because the dump files will be written and read in parallel. Also, the disks should not be the same ones on which the source or target tablespaces reside.

Any performance tuning activity involves making trade-offs between performance and resource consumption.

## Controlling Resource Consumption

The Data Pump Export and Import utilities enable you to dynamically increase and decrease resource consumption for each job. This is done using the `PARALLEL` parameter to specify a degree of parallelism for the job. (The `PARALLEL` parameter is the only tuning parameter that is specific to Data Pump.) For maximum throughput, do not set `PARALLEL` to much more than twice the number of CPUs (two workers for each CPU).

### See Also:

- [PARALLEL](#) on page 2-27 for more information about the Export `PARALLEL` parameter
- [PARALLEL](#) on page 3-22 for more information about the Import `PARALLEL` parameter

As you increase the degree of parallelism, CPU usage, memory consumption, and I/O bandwidth usage also increase. You must ensure that adequate amounts of these resources are available. If necessary, you can distribute files across different disk devices or channels to get the needed I/O bandwidth.

To maximize parallelism, you must supply at least one file for each degree of parallelism. The simplest way of doing this is to use substitution variables in your file names (for example, `file%u.dmp`). However, depending upon your disk set up (for example, simple, non-striped disks), you might not want to put all dump files on one device. In this case, it is best to specify multiple file names using substitution variables, with each in a separate directory resolving to a separate disk. Even with fast CPUs and fast disks, the path between the CPU and the disk may be the constraining factor in the amount of parallelism that can be sustained.

The `PARALLEL` parameter is valid only in the Enterprise Edition of Oracle Database 11g.

## Effects of Compression and Encryption on Performance

The use of Data Pump parameters related to compression and encryption can possibly have a negative impact upon performance of export and import operations. This is because additional CPU resources are required to perform transformations on the raw data.



## Initialization Parameters That Affect Data Pump Performance

The settings for certain initialization parameters can affect the performance of Data Pump Export and Import. In particular, you can try using the following settings to improve performance, although the effect may not be the same on all platforms.

- `DISK_ASYNC_IO=TRUE`
- `DB_BLOCK_CHECKING=FALSE`
- `DB_BLOCK_CHECKSUM=FALSE`

The following initialization parameters must have values set high enough to allow for maximum parallelism:

- `PROCESSES`
- `SESSIONS`
- `PARALLEL_MAX_SERVERS`

Additionally, the `SHARED_POOL_SIZE` and `UNDO_TABLESPACE` initialization parameters should be generously sized. The exact values will depend upon the size of your database.

## Setting the Size Of the Buffer Cache In a Streams Environment

Oracle Data Pump uses Streams functionality to communicate between processes. If the `SGA_TARGET` initialization parameter is set, then the `STREAMS_POOL_SIZE` initialization parameter is automatically set to a reasonable value.

If the `SGA_TARGET` initialization parameter is not set and the `STREAMS_POOL_SIZE` initialization parameter is not defined, then the size of the streams pool automatically defaults to 10% of the size of the shared pool.

When the streams pool is created, the required SGA memory is taken from memory allocated to the buffer cache, reducing the size of the cache to less than what was specified by the `DB_CACHE_SIZE` initialization parameter. This means that if the buffer cache was configured with only the minimal required SGA, then Data Pump operations may not work properly. A minimum size of 10M is recommended for `STREAMS_POOL_SIZE` in order to ensure successful Data Pump operations.

**See Also:** *Oracle Streams Concepts and Administration*



---

---

## The Data Pump API

The Data Pump API, `DBMS_DATAPUMP`, provides a high-speed mechanism to move all or part of the data and metadata for a site from one database to another. The Data Pump Export and Data Pump Import utilities are based on the Data Pump API.

You should read this chapter if you want more details about how the Data Pump API works. The following topics are covered:

- [How Does the Client Interface to the Data Pump API Work?](#)
- [What Are the Basic Steps in Using the Data Pump API?](#)
- [Examples of Using the Data Pump API](#)

**See Also:**

- *Oracle Database PL/SQL Packages and Types Reference* for a detailed description of the procedures available in the `DBMS_DATAPUMP` package
- [Chapter 1, "Overview of Oracle Data Pump"](#) for additional explanation of Data Pump concepts

### How Does the Client Interface to the Data Pump API Work?

The main structure used in the client interface is a job handle, which appears to the caller as an integer. Handles are created using the `DBMS_DATAPUMP.OPEN` or `DBMS_DATAPUMP.ATTACH` function. Other sessions can attach to a job to monitor and control its progress. This allows a DBA to start up a job before departing from work and then watch the progress of the job from home. Handles are session specific. The same job can create different handles in different sessions.

### Job States

There is a state associated with each phase of a job, as follows:

- Undefined - before a handle is created
- Defining - when the handle is first created
- Executing - when the `DBMS_DATAPUMP.START_JOB` procedure is executed
- Completing - when the job has finished its work and the Data Pump processes are ending
- Completed - when the job is completed
- Stop Pending - when an orderly job shutdown has been requested

- Stopping - when the job is stopping
- Idling - the period between the time that a `DBMS_DATAPUMP.ATTACH` is executed to attach to a stopped job and the time that a `DBMS_DATAPUMP.START_JOB` is executed to restart that job
- Not Running - when a master table exists for a job that is not running (has no Data Pump processes associated with it)

Performing `DBMS_DATAPUMP.START_JOB` on a job in an Idling state will return it to an Executing state.

If all users execute `DBMS_DATAPUMP.DETACH` to detach from a job in the Defining state, the job will be totally removed from the database.

When a job abnormally terminates or when an instance running the job is shut down, the job is placed in the Not Running state if it was previously executing or idling. It can then be restarted by the user.

The master control process is active in the Defining, Idling, Executing, Stopping, Stop Pending, and Completing states. It is also active briefly in the Stopped and Completed states. The master table for the job exists in all states except the Undefined state. Worker processes are only active in the Executing and Stop Pending states, and briefly in the Defining state for import jobs.

Detaching while a job is in the Executing state will not halt the job, and you can re-attach to an executing job at any time to resume obtaining status information about the job.

A Detach can occur explicitly, when the `DBMS_DATAPUMP.DETACH` procedure is executed, or it can occur implicitly when a Data Pump API session is run down, when the Data Pump API is unable to communicate with a Data Pump job, or when the `DBMS_DATAPUMP.STOP_JOB` procedure is executed.

The Not Running state indicates that a master table exists outside the context of an executing job. This will occur if a job has been stopped (probably to be restarted later) or if a job has abnormally terminated. This state can also be seen momentarily during job state transitions at the beginning of a job, and at the end of a job before the master table is dropped. Note that the Not Running state is shown only in the `DBA_DATAPUMP_JOBS` view and the `USER_DATAPUMP_JOBS` view. It is never returned by the `GET_STATUS` procedure.

[Table 5–1](#) shows the valid job states in which `DBMS_DATAPUMP` procedures can be executed. The states listed are valid for both export and import jobs, unless otherwise noted.

**Table 5–1 Valid Job States in Which DBMS\_DATAPUMP Procedures Can Be Executed**

Procedure Name	Valid States	Description
<code>ADD_FILE</code>	Defining (valid for both export and import jobs)  Executing and Idling (valid only for specifying dump files for export jobs)	Specifies a file for the dump file set, the log file, or the <code>SQL_FILE</code> output.
<code>ATTACH</code>	Defining, Executing, Idling, Stopped, Completed, Completing, Not Running	Allows a user session to monitor a job or to restart a stopped job. The attach will fail if the dump file set or master table for the job have been deleted or altered in any way.
<code>DATA_FILTER</code>	Defining	Restricts data processed by a job.

**Table 5–1 (Cont.) Valid Job States in Which DBMS\_DATAPUMP Procedures Can Be Executed**

Procedure Name	Valid States	Description
DETACH	All	Disconnects a user session from a job.
GET_DUMPFILE_INFO	All	Retrieves dump file header information
GET_STATUS	All, except Completed, Not Running, Stopped, and Undefined	Obtains the status of a job.
LOG_ENTRY	Defining, Executing, Idling, Stop Pending, Completing	Adds an entry to the log file.
METADATA_FILTER	Defining	Restricts metadata processed by a job.
METADATA_REMAP	Defining	Remaps metadata processed by a job.
METADATA_TRANSFORM	Defining	Alters metadata processed by a job.
OPEN	Undefined	Creates a new job.
SET_PARALLEL	Defining, Executing, Idling	Specifies parallelism for a job.
SET_PARAMETER	Defining <sup>1</sup>	Alters default processing by a job.
START_JOB	Defining, Idling	Begins or resumes execution of a job.
STOP_JOB	Defining, Executing, Idling, Stop Pending	Initiates shutdown of a job.
WAIT_FOR_JOB	All, except Completed, Not Running, Stopped, and Undefined	Waits for a job to end.

<sup>1</sup> The ENCRYPTION\_PASSWORD parameter can be entered during the Idling state, as well as during the Defining state.

## What Are the Basic Steps in Using the Data Pump API?

To use the Data Pump API, you use the procedures provided in the DBMS\_DATAPUMP package. The following steps list the basic activities involved in using the Data Pump API. The steps are presented in the order in which the activities would generally be performed:

1. Execute the DBMS\_DATAPUMP.OPEN procedure to create a Data Pump job and its infrastructure.
2. Define any parameters for the job.
3. Start the job.
4. Optionally, monitor the job until it completes.
5. Optionally, detach from the job and reattach at a later time.
6. Optionally, stop the job.
7. Optionally, restart the job, if desired.

These concepts are illustrated in the examples provided in the next section.

**See Also:** *Oracle Database PL/SQL Packages and Types Reference* for a complete description of the DBMS\_DATAPUMP package

## Examples of Using the Data Pump API

This section provides the following examples to help you get started using the Data Pump API:

- [Example 5–1, "Performing a Simple Schema Export"](#)
- [Example 5–2, "Importing a Dump File and Remapping All Schema Objects"](#)
- [Example 5–3, "Using Exception Handling During a Simple Schema Export"](#)

The examples are in the form of PL/SQL scripts. If you choose to copy these scripts and run them, you must first do the following, using SQL\*Plus:

- Create a directory object and grant READ and WRITE access to it. For example, to create a directory object named `dmpdir` to which you have access, do the following. Replace `user` with your username.

```
SQL> CREATE DIRECTORY dmpdir AS '/rdbs/work';
SQL> GRANT READ, WRITE ON DIRECTORY dmpdir TO user
```

- Ensure that you have the `EXP_FULL_DATABASE` and `IMP_FULL_DATABASE` roles. To see a list of all roles assigned to you within your security domain, do the following:

```
SQL> SELECT * FROM SESSION_ROLES;
```

If you do not have the necessary roles assigned to you, contact your system administrator for help.

- Turn on server output if it is not already on. This is done as follows:

```
SQL> SET SERVEROUTPUT ON
```

If you do not do this, you will not see any output to your screen. You must do this in the same session in which you invoke the example. If you exit SQL\*Plus, this setting is lost and must be reset when you begin a new session. (It must also be reset if you connect to a different user name.)

### **Example 5–1 Performing a Simple Schema Export**

The PL/SQL script in this example shows how to use the Data Pump API to perform a simple schema export of the HR schema. It shows how to create a job, start it, and monitor it. Additional information about the example is contained in the comments within the script. To keep the example simple, exceptions from any of the API calls will not be trapped. However, in a production environment, Oracle recommends that you define exception handlers and call `GET_STATUS` to retrieve more detailed error information when a failure occurs.

Connect as user `SYSTEM` to use this script.

```
DECLARE
    ind NUMBER;           -- Loop index
    h1 NUMBER;           -- Data Pump job handle
    percent_done NUMBER; -- Percentage of job complete
    job_state VARCHAR2(30); -- To keep track of job state
    le ku$_LogEntry;     -- For WIP and error messages
    js ku$_JobStatus;    -- The job status from get_status
    jd ku$_JobDesc;      -- The job description from get_status
    sts ku$_Status;      -- The status object returned by get_status
BEGIN

    -- Create a (user-named) Data Pump job to do a schema export.
```

```

h1 := DBMS_DATAPUMP.OPEN('EXPORT','SCHEMA',NULL,'EXAMPLE1','LATEST');

-- Specify a single dump file for the job (using the handle just returned)
-- and a directory object, which must already be defined and accessible
-- to the user running this procedure.

DBMS_DATAPUMP.ADD_FILE(h1,'example1.dmp','DMPDIR');

-- A metadata filter is used to specify the schema that will be exported.

DBMS_DATAPUMP.METADATA_FILTER(h1,'SCHEMA_EXPR','IN (''HR'')');

-- Start the job. An exception will be generated if something is not set up
-- properly.

DBMS_DATAPUMP.START_JOB(h1);

-- The export job should now be running. In the following loop, the job
-- is monitored until it completes. In the meantime, progress information is
-- displayed.

percent_done := 0;
job_state := 'UNDEFINED';
while (job_state != 'COMPLETED') and (job_state != 'STOPPED') loop
    dbms_datapump.get_status(h1,
        dbms_datapump.ku$_status_job_error +
        dbms_datapump.ku$_status_job_status +
        dbms_datapump.ku$_status_wip,-1,job_state,sts);
    js := sts.job_status;

-- If the percentage done changed, display the new value.

    if js.percent_done != percent_done
    then
        dbms_output.put_line('*** Job percent done = ' ||
            to_char(js.percent_done));
        percent_done := js.percent_done;
    end if;

-- If any work-in-progress (WIP) or error messages were received for the job,
-- display them.

    if (bitand(sts.mask,dbms_datapump.ku$_status_wip) != 0)
    then
        le := sts.wip;
    else
        if (bitand(sts.mask,dbms_datapump.ku$_status_job_error) != 0)
        then
            le := sts.error;
        else
            le := null;
        end if;
    end if;
    if le is not null
    then
        ind := le.FIRST;
        while ind is not null loop
            dbms_output.put_line(le(ind).LogText);
            ind := le.NEXT(ind);
        end loop;
    end if;
end while;

```

```

        end loop;
    end if;
end loop;

-- Indicate that the job finished and detach from it.

dbms_output.put_line('Job has completed');
dbms_output.put_line('Final job state = ' || job_state);
dbms_datapump.detach(h1);
END;
/

```

### **Example 5–2 Importing a Dump File and Remapping All Schema Objects**

The script in this example imports the dump file created in [Example 5–1](#) (an export of the `hr` schema). All schema objects are remapped from the `hr` schema to the `blake` schema. To keep the example simple, exceptions from any of the API calls will not be trapped. However, in a production environment, Oracle recommends that you define exception handlers and call `GET_STATUS` to retrieve more detailed error information when a failure occurs.

Connect as user `SYSTEM` to use this script.

```

DECLARE
    ind NUMBER;           -- Loop index
    h1 NUMBER;           -- Data Pump job handle
    percent_done NUMBER; -- Percentage of job complete
    job_state VARCHAR2(30); -- To keep track of job state
    le ku$_LogEntry;     -- For WIP and error messages
    js ku$_JobStatus;    -- The job status from get_status
    jd ku$_JobDesc;     -- The job description from get_status
    sts ku$_Status;     -- The status object returned by get_status
BEGIN

-- Create a (user-named) Data Pump job to do a "full" import (everything
-- in the dump file without filtering).

    h1 := DBMS_DATAPUMP.OPEN('IMPORT', 'FULL', NULL, 'EXAMPLE2');

-- Specify the single dump file for the job (using the handle just returned)
-- and directory object, which must already be defined and accessible
-- to the user running this procedure. This is the dump file created by
-- the export operation in the first example.

    DBMS_DATAPUMP.ADD_FILE(h1, 'example1.dmp', 'DMPDIR');

-- A metadata remap will map all schema objects from HR to BLAKE.

    DBMS_DATAPUMP.METADATA_REMAP(h1, 'REMAP_SCHEMA', 'HR', 'BLAKE');

-- If a table already exists in the destination schema, skip it (leave
-- the preexisting table alone). This is the default, but it does not hurt
-- to specify it explicitly.

    DBMS_DATAPUMP.SET_PARAMETER(h1, 'TABLE_EXISTS_ACTION', 'SKIP');

-- Start the job. An exception is returned if something is not set up properly.

    DBMS_DATAPUMP.START_JOB(h1);

-- The import job should now be running. In the following loop, the job is

```



```

-- monitored until it completes. In the meantime, progress information is
-- displayed. Note: this is identical to the export example.

percent_done := 0;
job_state := 'UNDEFINED';
while (job_state != 'COMPLETED') and (job_state != 'STOPPED') loop
  dbms_datapump.get_status(h1,
    dbms_datapump.ku$_status_job_error +
    dbms_datapump.ku$_status_job_status +
    dbms_datapump.ku$_status_wip,-1,job_state,sts);
  js := sts.job_status;

-- If the percentage done changed, display the new value.

  if js.percent_done != percent_done
  then
    dbms_output.put_line('*** Job percent done = ' ||
      to_char(js.percent_done));
    percent_done := js.percent_done;
  end if;

-- If any work-in-progress (WIP) or Error messages were received for the job,
-- display them.

    if (bitand(sts.mask,dbms_datapump.ku$_status_wip) != 0)
  then
    le := sts.wip;
  else
    if (bitand(sts.mask,dbms_datapump.ku$_status_job_error) != 0)
  then
    le := sts.error;
  else
    le := null;
  end if;
  end if;
  if le is not null
  then
    ind := le.FIRST;
    while ind is not null loop
      dbms_output.put_line(le(ind).LogText);
      ind := le.NEXT(ind);
    end loop;
  end if;
end loop;

-- Indicate that the job finished and gracefully detach from it.

dbms_output.put_line('Job has completed');
dbms_output.put_line('Final job state = ' || job_state);
dbms_datapump.detach(h1);
END;
/

```

### **Example 5-3 Using Exception Handling During a Simple Schema Export**

The script in this example shows a simple schema export using the Data Pump API. It extends [Example 5-1](#) to show how to use exception handling to catch the `SUCCESS_WITH_INFO` case, and how to use the `GET_STATUS` procedure to retrieve additional information about errors. If you want to get exception information about a `DBMS_DATAPUMP.OPEN` or `DBMS_DATAPUMP.ATTACH` failure, you can call `DBMS_`

DATAPUMP.GET\_STATUS with a DBMS\_DATAPUMP.KU\$\_STATUS\_JOB\_ERROR information mask and a NULL job handle to retrieve the error details.

Connect as user SYSTEM to use this example.

```

DECLARE
    ind NUMBER;           -- Loop index
    spos NUMBER;         -- String starting position
    slen NUMBER;         -- String length for output
    h1 NUMBER;           -- Data Pump job handle
    percent_done NUMBER; -- Percentage of job complete
    job_state VARCHAR2(30); -- To keep track of job state
    le ku$_LogEntry;     -- For WIP and error messages
    js ku$_JobStatus;    -- The job status from get_status
    jd ku$_JobDesc;     -- The job description from get_status
    sts ku$_Status;     -- The status object returned by get_status
BEGIN

    -- Create a (user-named) Data Pump job to do a schema export.

    h1 := dbms_datapump.open('EXPORT', 'SCHEMA', NULL, 'EXAMPLE3', 'LATEST');

    -- Specify a single dump file for the job (using the handle just returned)
    -- and a directory object, which must already be defined and accessible
    -- to the user running this procedure.

    dbms_datapump.add_file(h1, 'example3.dmp', 'DMPDIR');

    -- A metadata filter is used to specify the schema that will be exported.

    dbms_datapump.metadata_filter(h1, 'SCHEMA_EXPR', 'IN (''HR'')');

    -- Start the job. An exception will be returned if something is not set up
    -- properly. One possible exception that will be handled differently is the
    -- success_with_info exception. success_with_info means the job started
    -- successfully, but more information is available through get_status about
    -- conditions around the start_job that the user might want to be aware of.

    begin
        dbms_datapump.start_job(h1);
        dbms_output.put_line('Data Pump job started successfully');
    exception
        when others then
            if sqlcode = dbms_datapump.success_with_info_num
            then
                dbms_output.put_line('Data Pump job started with info available:');
                dbms_datapump.get_status(h1,
                    dbms_datapump.ku$_status_job_error, 0,
                    job_state, sts);
                if (bitand(sts.mask, dbms_datapump.ku$_status_job_error) != 0)
                then
                    le := sts.error;
                    if le is not null
                    then
                        ind := le.FIRST;
                        while ind is not null loop
                            dbms_output.put_line(le(ind).LogText);
                            ind := le.NEXT(ind);
                        end loop;
                    end if;
                end if;
            end if;
    end if;

```

```

        else
            raise;
        end if;
    end;

-- The export job should now be running. In the following loop, we will monitor
-- the job until it completes. In the meantime, progress information is
-- displayed.

percent_done := 0;
job_state := 'UNDEFINED';
while (job_state != 'COMPLETED') and (job_state != 'STOPPED') loop
    dbms_datapump.get_status(h1,
        dbms_datapump.ku$_status_job_error +
        dbms_datapump.ku$_status_job_status +
        dbms_datapump.ku$_status_wip,-1,job_state,sts);
    js := sts.job_status;

-- If the percentage done changed, display the new value.

    if js.percent_done != percent_done
    then
        dbms_output.put_line('*** Job percent done = ' ||
            to_char(js.percent_done));
        percent_done := js.percent_done;
    end if;

-- Display any work-in-progress (WIP) or error messages that were received for
-- the job.

        if (bitand(sts.mask,dbms_datapump.ku$_status_wip) != 0)
        then
            le := sts.wip;
        else
            if (bitand(sts.mask,dbms_datapump.ku$_status_job_error) != 0)
            then
                le := sts.error;
            else
                le := null;
            end if;
        end if;
        if le is not null
        then
            ind := le.FIRST;
            while ind is not null loop
                dbms_output.put_line(le(ind).LogText);
                ind := le.NEXT(ind);
            end loop;
        end if;
    end loop;

-- Indicate that the job finished and detach from it.

    dbms_output.put_line('Job has completed');
    dbms_output.put_line('Final job state = ' || job_state);
    dbms_datapump.detach(h1);

-- Any exceptions that propagated to this point will be captured. The
-- details will be retrieved from get_status and displayed.

```

```
exception
when others then
    dbms_output.put_line('Exception in Data Pump job');
    dbms_datapump.get_status(h1,dbms_datapump.ku$_status_job_error,0,
        job_state,sts);
    if (bitand(sts.mask,dbms_datapump.ku$_status_job_error) != 0)
    then
        le := sts.error;
        if le is not null
        then
            ind := le.FIRST;
            while ind is not null loop
                spos := 1;
                slen := length(le(ind).LogText);
                if slen > 255
                then
                    slen := 255;
                end if;
                while slen > 0 loop
                    dbms_output.put_line(substr(le(ind).LogText,spos,slen));
                    spos := spos + 255;
                    slen := length(le(ind).LogText) + 1 - spos;
                end loop;
                ind := le.NEXT(ind);
            end loop;
        end if;
    end if;
END;
/
```

# Part II

---

---

## SQL\*Loader

The chapters in this part describe the SQL\*Loader utility:

### [Chapter 6, "SQL\\*Loader Concepts"](#)

This chapter introduces SQL\*Loader and describes its features. It also introduces data loading concepts (including object support). It discusses input to SQL\*Loader, database preparation, and output from SQL\*Loader.

### [Chapter 7, "SQL\\*Loader Command-Line Reference"](#)

This chapter describes the command-line syntax used by SQL\*Loader. It discusses command-line arguments, suppressing SQL\*Loader messages, sizing the bind array, and more.

### [Chapter 8, "SQL\\*Loader Control File Reference"](#)

This chapter describes the control file syntax you use to configure SQL\*Loader and to describe to SQL\*Loader how to map your data to Oracle format. It provides detailed syntax diagrams and information about specifying datafiles, tables and columns, the location of data, the type and format of data to be loaded, and more.

### [Chapter 9, "SQL\\*Loader Field List Reference"](#)

This chapter describes the field list section of a SQL\*Loader control file. The field list provides information about fields being loaded, such as position, datatype, conditions, and delimiters.

### [Chapter 10, "Loading Objects, LOBs, and Collections"](#)

This chapter describes how to load column objects in various formats. It also discusses how to load object tables, REF columns, LOBs, and collections.

### [Chapter 11, "Conventional and Direct Path Loads"](#)

This chapter describes the differences between a conventional path load and a direct path load. A direct path load is a high-performance option that significantly reduces the time required to load large quantities of data.



---

---

## SQL\*Loader Concepts

This chapter explains the basic concepts of loading data into an Oracle database with SQL\*Loader. This chapter covers the following topics:

- [SQL\\*Loader Features](#)
- [SQL\\*Loader Parameters](#)
- [SQL\\*Loader Control File](#)
- [Input Data and Datafiles](#)
- [LOBFILES and Secondary Datafiles \(SDFs\)](#)
- [Data Conversion and Datatype Specification](#)
- [Discarded and Rejected Records](#)
- [Log File and Logging Information](#)
- [Conventional Path Loads, Direct Path Loads, and External Table Loads](#)
- [Loading Objects, Collections, and LOBs](#)
- [Partitioned Object Support](#)
- [Application Development: Direct Path Load API](#)
- [SQL\\*Loader Case Studies](#)

### SQL\*Loader Features

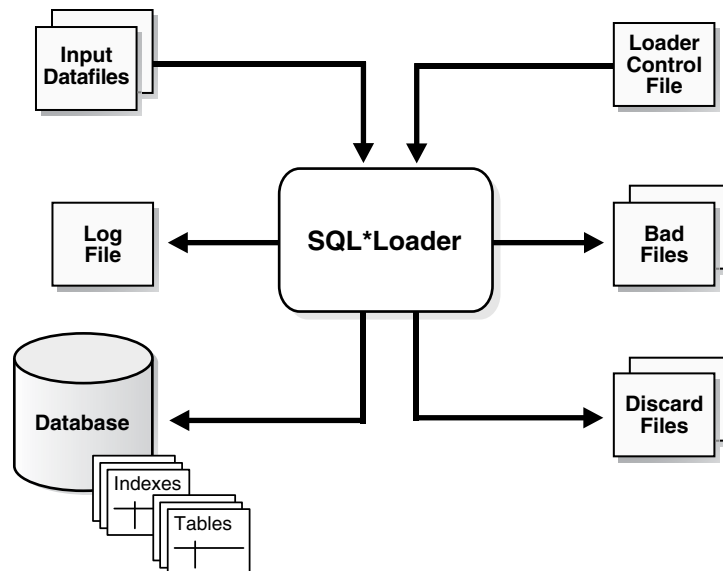
SQL\*Loader loads data from external files into tables of an Oracle database. It has a powerful data parsing engine that puts little limitation on the format of the data in the datafile. You can use SQL\*Loader to do the following:

- Load data across a network if your data files are on a different system than the database.
- Load data from multiple datafiles during the same load session.
- Load data into multiple tables during the same load session.
- Specify the character set of the data.
- Selectively load data (you can load records based on the records' values).
- Manipulate the data before loading it, using SQL functions.
- Generate unique sequential key values in specified columns.
- Use the operating system's file system to access the datafiles.

- Load data from disk, tape, or named pipe.
- Generate sophisticated error reports, which greatly aid troubleshooting.
- Load arbitrarily complex object-relational data.
- Use secondary datafiles for loading LOBs and collections.
- Use either conventional or direct path loading. While conventional path loading is very flexible, direct path loading provides superior loading performance. See [Chapter 11](#).

A typical SQL\*Loader session takes as input a control file, which controls the behavior of SQL\*Loader, and one or more datafiles. The output of SQL\*Loader is an Oracle database (where the data is loaded), a log file, a bad file, and potentially, a discard file. An example of the flow of a SQL\*Loader session is shown in [Figure 6-1](#).

**Figure 6-1 SQL\*Loader Overview**



## SQL\*Loader Parameters

SQL\*Loader is invoked when you specify the `sqlldr` command and, optionally, parameters that establish session characteristics.

In situations where you always use the same parameters for which the values seldom change, it can be more efficient to specify parameters using the following methods, rather than on the command line:

- Parameters can be grouped together in a parameter file. You could then specify the name of the parameter file on the command line using the `PARFILE` parameter.
- Certain parameters can also be specified within the SQL\*Loader control file by using the `OPTIONS` clause.

Parameters specified on the command line override any parameter values specified in a parameter file or `OPTIONS` clause.



**See Also:**

- [Chapter 7](#) for descriptions of the SQL\*Loader parameters
- [PARFILE \(parameter file\)](#) on page 7-7
- [OPTIONS Clause](#) on page 8-3

## SQL\*Loader Control File

The control file is a text file written in a language that SQL\*Loader understands. The control file tells SQL\*Loader where to find the data, how to parse and interpret the data, where to insert the data, and more.

Although not precisely defined, a control file can be said to have three sections.

The first section contains session-wide information, for example:

- Global options such as `bindsize`, `rows`, `records to skip`, and so on
- `INFILE` clauses to specify where the input data is located
- Data to be loaded

The second section consists of one or more `INTO TABLE` blocks. Each of these blocks contains information about the table into which the data is to be loaded, such as the table name and the columns of the table.

The third section is optional and, if present, contains input data.

Some control file syntax considerations to keep in mind are:

- The syntax is free-format (statements can extend over multiple lines).
- It is case insensitive; however, strings enclosed in single or double quotation marks are taken literally, including case.
- In control file syntax, comments extend from the two hyphens (`--`) that mark the beginning of the comment to the end of the line. The optional third section of the control file is interpreted as data rather than as control file syntax; consequently, comments in this section are not supported.
- The keywords `CONSTANT` and `ZONE` have special meaning to SQL\*Loader and are therefore reserved. To avoid potential conflicts, Oracle recommends that you do not use either `CONSTANT` or `ZONE` as a name for any tables or columns.

**See Also:** [Chapter 8](#) for details about control file syntax and semantics

## Input Data and Datafiles

SQL\*Loader reads data from one or more files (or operating system equivalents of files) specified in the control file. From SQL\*Loader's perspective, the data in the datafile is organized as *records*. A particular datafile can be in fixed record format, variable record format, or stream record format. The record format can be specified in the control file with the `INFILE` parameter. If no record format is specified, the default is stream record format.

---

---

**Note:** If data is specified inside the control file (that is, `INFILE *` was specified in the control file), then the data is interpreted in the stream record format with the default record terminator.

---

---

## Fixed Record Format

A file is in fixed record format when all records in a datafile are the same byte length. Although this format is the least flexible, it results in better performance than variable or stream format. Fixed format is also simple to specify. For example:

```
INFILE datafile_name "fix n"
```

This example specifies that SQL\*Loader should interpret the particular datafile as being in fixed record format where every record is *n* bytes long.

[Example 6-1](#) shows a control file that specifies a datafile that should be interpreted in the fixed record format. The datafile in the example contains five physical records. Assuming that a period (.) indicates a space, the first physical record is [001,...cd,] which is exactly eleven bytes (assuming a single-byte character set). The second record is [0002,fg hi,\n] followed by the newline character (which is the eleventh byte), and so on. Note that newline characters are not required with the fixed record format.

Note that the length is always interpreted in bytes, even if character-length semantics are in effect for the file. This is necessary because the file could contain a mix of fields, some of which are processed with character-length semantics and others which are processed with byte-length semantics. See [Character-Length Semantics](#) on page 8-17.

### **Example 6-1 Loading Data in Fixed Record Format**

```
load data
infile 'example.dat' "fix 11"
into table example
fields terminated by ',' optionally enclosed by '"'
(col1, col2)

example.dat:
001, cd, 0002,fg hi,
00003,lmn,
1, "pqrs",
0005,uvwxy,
```

## Variable Record Format

A file is in variable record format when the length of each record in a character field is included at the beginning of each record in the datafile. This format provides some added flexibility over the fixed record format and a performance advantage over the stream record format. For example, you can specify a datafile that is to be interpreted as being in variable record format as follows:

```
INFILE "datafile_name" "var n"
```

In this example, *n* specifies the number of bytes in the record length field. If *n* is not specified, SQL\*Loader assumes a length of 5 bytes. Specifying *n* larger than 40 will result in an error.

[Example 6-2](#) shows a control file specification that tells SQL\*Loader to look for data in the datafile `example.dat` and to expect variable record format where the record length fields are 3 bytes long. The `example.dat` datafile consists of three physical records. The first is specified to be 009 (that is, 9) bytes long, the second is 010 bytes long (that is, 10, including a 1-byte newline), and the third is 012 bytes long (also including a 1-byte newline). Note that newline characters are not required with the variable record format. This example also assumes a single-byte character set for the datafile.

The lengths are always interpreted in bytes, even if character-length semantics are in effect for the file. This is necessary because the file could contain a mix of fields, some processed with character-length semantics and others processed with byte-length semantics. See [Character-Length Semantics](#) on page 8-17.

### Example 6-2 Loading Data in Variable Record Format

```
load data
infile 'example.dat' "var 3"
into table example
fields terminated by ',' optionally enclosed by '"'
(col1 char(5),
 col2 char(7))

example.dat:
009hello,cd,010world,im,
012my,name is,
```

## Stream Record Format

A file is in stream record format when the records are not specified by size; instead SQL\*Loader forms records by scanning for the *record terminator*. Stream record format is the most flexible format, but there can be a negative effect on performance. The specification of a datafile to be interpreted as being in stream record format looks similar to the following:

```
INFILE datafile_name ["str terminator_string"]
```

The *terminator\_string* is specified as either '*char\_string*' or *X'hex\_string*' where:

- '*char\_string*' is a string of characters enclosed in single or double quotation marks
- *X'hex\_string*' is a byte string in hexadecimal format

When the *terminator\_string* contains special (nonprintable) characters, it should be specified as an *X'hex\_string*'. However, some nonprintable characters can be specified as ('*char\_string*') by using a backslash. For example:

- \n indicates a line feed
- \t indicates a horizontal tab
- \f indicates a form feed
- \v indicates a vertical tab
- \r indicates a carriage return

If the character set specified with the NLS\_LANG parameter for your session is different from the character set of the datafile, character strings are converted to the character set of the datafile. This is done before SQL\*Loader checks for the default record terminator.

Hexadecimal strings are assumed to be in the character set of the datafile, so no conversion is performed.

On UNIX-based platforms, if no *terminator\_string* is specified, SQL\*Loader defaults to the line feed character, \n.

On Windows NT, if no *terminator\_string* is specified, then SQL\*Loader uses either \n or \r\n as the record terminator, depending on which one it finds first in the

datafile. This means that if you know that one or more records in your datafile has `\n` embedded in a field, but you want `\r\n` to be used as the record terminator, you must specify it.

[Example 6-3](#) illustrates loading data in stream record format where the terminator string is specified using a character string, `'|\n'`. The use of the backslash character allows the character string to specify the nonprintable line feed character.

### **Example 6-3 Loading Data in Stream Record Format**

```
load data
infile 'example.dat' "str '|\n'"
into table example
fields terminated by ',' optionally enclosed by ''
(col1 char(5),
 col2 char(7))

example.dat:
hello,world,|
james,bond,|
```

## Logical Records

SQL\*Loader organizes the input data into physical records, according to the specified record format. By default a physical record is a logical record, but for added flexibility, SQL\*Loader can be instructed to combine a number of physical records into a logical record.

SQL\*Loader can be instructed to follow one of the following logical record-forming strategies:

- Combine a fixed number of physical records to form each logical record.
- Combine physical records into logical records while a certain condition is true.

#### **See Also:**

- [Assembling Logical Records from Physical Records](#) on page 8-21
- Case study 4, Loading Combined Physical Records (see [SQL\\*Loader Case Studies](#) on page 6-12 for information on how to access case studies)

## Data Fields

Once a logical record is formed, field setting on the logical record is done. Field setting is a process in which SQL\*Loader uses control-file field specifications to determine which parts of logical record data correspond to which control-file fields. It is possible for two or more field specifications to claim the same data. Also, it is possible for a logical record to contain data that is not claimed by any control-file field specification.

Most control-file field specifications claim a particular part of the logical record. This mapping takes the following forms:

- The byte position of the data field's beginning, end, or both, can be specified. This specification form is not the most flexible, but it provides high field-setting performance.

- The strings delimiting (enclosing and/or terminating) a particular data field can be specified. A delimited data field is assumed to start where the last data field ended, unless the byte position of the start of the data field is specified.
- The byte offset and/or the length of the data field can be specified. This way each field starts a specified number of bytes from where the last one ended and continues for a specified length.
- Length-value datatypes can be used. In this case, the first *n* number of bytes of the data field contain information about how long the rest of the data field is.

**See Also:**

- [Specifying the Position of a Data Field](#) on page 9-2
- [Specifying Delimiters](#) on page 9-19

## LOBFILES and Secondary Datafiles (SDFs)

LOB data can be lengthy enough that it makes sense to load it from a LOBFILE. In LOBFILES, LOB data instances are still considered to be in fields (predetermined size, delimited, length-value), but these fields are not organized into records (the concept of a record does not exist within LOBFILES). Therefore, the processing overhead of dealing with records is avoided. This type of organization of data is ideal for LOB loading.

For example, you might use LOBFILES to load employee names, employee IDs, and employee resumes. You could read the employee names and IDs from the main datafiles and you could read the resumes, which can be quite lengthy, from LOBFILES.

You might also use LOBFILES to facilitate the loading of XML data. You can use XML columns to hold data that models structured and semistructured data. Such data can be quite lengthy.

Secondary datafiles (SDFs) are similar in concept to primary datafiles. Like primary datafiles, SDFs are a collection of records, and each record is made up of fields. The SDFs are specified on a per control-file-field basis. Only a `collection_fld_spec` can name an SDF as its data source.

SDFs are specified using the `SDF` parameter. The `SDF` parameter can be followed by either the file specification string, or a `FILLER` field that is mapped to a data field containing one or more file specification strings.

**See Also:**

- [Loading LOB Data from LOBFILES](#) on page 10-17
- [Secondary Datafiles \(SDFs\)](#) on page 10-24

## Data Conversion and Datatype Specification

During a conventional path load, *data fields* in the datafile are converted into *columns* in the database (direct path loads are conceptually similar, but the implementation is different). There are two conversion steps:

1. SQL\*Loader uses the field specifications in the control file to interpret the format of the datafile, parse the input data, and populate the bind arrays that correspond to a SQL `INSERT` statement using that data.
2. The Oracle database accepts the data and executes the `INSERT` statement to store the data in the database.

The Oracle database uses the datatype of the column to convert the data into its final, stored form. Keep in mind the distinction between a *field* in a datafile and a *column* in the database. Remember also that the *field datatypes* defined in a SQL\*Loader control file are *not* the same as the *column datatypes*.

## Discarded and Rejected Records

Records read from the input file might not be inserted into the database. Such records are placed in either a bad file or a discard file.

### The Bad File

The bad file contains records that were rejected, either by SQL\*Loader or by the Oracle database. If you do not specify a bad file and there are rejected records, then SQL\*Loader automatically creates one. It will have the same name as the data file, with a.bad extension. Some of the possible reasons for rejection are discussed in the next sections.

#### SQL\*Loader Rejects

Datafile records are rejected by SQL\*Loader when the input format is invalid. For example, if the second enclosure delimiter is missing, or if a delimited field exceeds its maximum length, SQL\*Loader rejects the record. Rejected records are placed in the bad file.

#### Oracle Database Rejects

After a datafile record is accepted for processing by SQL\*Loader, it is sent to the Oracle database for insertion into a table as a row. If the Oracle database determines that the row is valid, then the row is inserted into the table. If the row is determined to be invalid, then the record is rejected and SQL\*Loader puts it in the bad file. The row may be invalid, for example, because a key is not unique, because a required field is null, or because the field contains invalid data for the Oracle datatype.

#### See Also:

- [Specifying the Bad File](#) on page 8-9
- Case study 4, Loading Combined Physical Records (see [SQL\\*Loader Case Studies](#) on page 6-12 for information on how to access case studies)

### The Discard File

As SQL\*Loader executes, it may create a file called the discard file. This file is created only when it is needed, and only if you have specified that a discard file should be enabled. The discard file contains records that were filtered out of the load because they did not match any record-selection criteria specified in the control file.

The discard file therefore contains records that were not inserted into any table in the database. You can specify the maximum number of such records that the discard file can accept. Data written to any database table is not written to the discard file.

**See Also:**

- Case study 4, Loading Combined Physical Records (see [SQL\\*Loader Case Studies](#) on page 6-12 for information on how to access case studies)
- [Specifying the Discard File](#) on page 8-11

## Log File and Logging Information

When SQL\*Loader begins execution, it creates a *log file*. If it cannot create a log file, execution terminates. The log file contains a detailed summary of the load, including a description of any errors that occurred during the load.

## Conventional Path Loads, Direct Path Loads, and External Table Loads

SQL\*Loader provides the following methods to load data:

- [Conventional Path Loads](#)
- [Direct Path Loads](#)
- [External Table Loads](#)

### Conventional Path Loads

During conventional path loads, the input records are parsed according to the field specifications, and each data field is copied to its corresponding bind array. When the bind array is full (or no more data is left to read), an array insert is executed.

**See Also:**

- [Data Loading Methods](#) on page 11-1
- [Bind Arrays and Conventional Path Loads](#) on page 8-34

SQL\*Loader stores LOB fields after a bind array insert is done. Thus, if there are any errors in processing the LOB field (for example, the LOBFILE could not be found), the LOB field is left empty. Note also that because LOB data is loaded after the array insert has been performed, BEFORE and AFTER row triggers may not work as expected for LOB columns. This is because the triggers fire before SQL\*Loader has a chance to load the LOB contents into the column. For instance, suppose you are loading a LOB column, C1, with data and that you want a BEFORE row trigger to examine the contents of this LOB column and derive a value to be loaded for some other column, C2, based on its examination. This is not possible because the LOB contents will not have been loaded at the time the trigger fires.

### Direct Path Loads

A direct path load parses the input records according to the field specifications, converts the input field data to the column datatype, and builds a column array. The column array is passed to a block formatter, which creates data blocks in Oracle database block format. The newly formatted database blocks are written directly to the database, bypassing much of the data processing that normally takes place. Direct path load is much faster than conventional path load, but entails several restrictions.

**See Also:** [Direct Path Load](#) on page 11-4

### Parallel Direct Path

A parallel direct path load allows multiple direct path load sessions to concurrently load the same data segments (allows intrasegment parallelism). Parallel direct path is more restrictive than direct path.

**See Also:** [Parallel Data Loading Models](#) on page 11-23

### External Table Loads

An external table load creates an external table for data that is contained in a datafile. The load executes `INSERT` statements to insert the data from the datafile into the target table.

The advantages of using external table loads over conventional path and direct path loads are as follows:

- An external table load attempts to load datafiles in parallel. If a datafile is big enough, it will attempt to load that file in parallel.
- An external table load allows modification of the data being loaded by using SQL functions and PL/SQL functions as part of the `INSERT` statement that is used to create the external table.

---

---

**Note:** An external table load is not supported using a named pipe on Windows NT.

---

---

**See Also:**

- [Chapter 12, "External Tables Concepts"](#)
- [Chapter 13, "The ORACLE\\_LOADER Access Driver"](#)

### Choosing External Tables Versus SQL\*Loader

The record parsing of external tables and SQL\*Loader is very similar, so normally there is not a major performance difference for the same record format. However, due to the different architecture of external tables and SQL\*Loader, there are situations in which one method is more appropriate than the other.

In the following situations, use external tables for the best load performance:

- You want to transform the data as it is being loaded into the database
- You want to use transparent parallel processing without having to split the external data first

However, in the following situations, use SQL\*Loader for the best load performance:

- You want to load data remotely
- Transformations are not required on the data, and the data does not need to be loaded in parallel

### Loading Objects, Collections, and LOBs

You can use SQL\*Loader to bulk load objects, collections, and LOBs. It is assumed that you are familiar with the concept of objects and with Oracle's implementation of object support as described in *Oracle Database Concepts* and in the *Oracle Database Administrator's Guide*.



## Supported Object Types

SQL\*Loader supports loading of the following two object types:

### column objects

When a column of a table is of some object type, the objects in that column are referred to as column objects. Conceptually such objects are stored in their entirety in a single column position in a row. These objects do not have object identifiers and cannot be referenced.

If the object type of the column object is declared to be nonfinal, then SQL\*Loader allows a derived type (or subtype) to be loaded into the column object.

### row objects

These objects are stored in tables, known as object tables, that have columns corresponding to the attributes of the object. The object tables have an additional system-generated column, called `SYS_NC_OID$`, that stores system-generated unique identifiers (OIDs) for each of the objects in the table. Columns in other tables can refer to these objects by using the OIDs.

If the object type of the object table is declared to be nonfinal, then SQL\*Loader allows a derived type (or subtype) to be loaded into the row object.

#### See Also:

- [Loading Column Objects](#) on page 10-1
- [Loading Object Tables](#) on page 10-9

## Supported Collection Types

SQL\*Loader supports loading of the following two collection types:

### Nested Tables

A nested table is a table that appears as a column in another table. All operations that can be performed on other tables can also be performed on nested tables.

### VARRAYs

VARRAYs are variable sized arrays. An array is an ordered set of built-in types or objects, called elements. Each array element is of the same type and has an index, which is a number corresponding to the element's position in the VARRAY.

When creating a VARRAY type, you must specify the maximum size. Once you have declared a VARRAY type, it can be used as the datatype of a column of a relational table, as an object type attribute, or as a PL/SQL variable.

**See Also:** [Loading Collections \(Nested Tables and VARRAYs\)](#) on page 10-22 for details on using SQL\*Loader control file data definition language to load these collection types

## Supported LOB Types

A LOB is a large object type. This release of SQL\*Loader supports loading of four LOB types:

- BLOB: a LOB containing unstructured binary data
- CLOB: a LOB containing character data

- NCLOB: a LOB containing characters in a database national character set
- BFILE: a BLOB stored outside of the database tablespaces in a server-side operating system file

LOBs can be column datatypes, and with the exception of the NCLOB, they can be an object's attribute datatypes. LOBs can have an actual value, they can be `null`, or they can be "empty."

**See Also:** [Loading LOBs](#) on page 10-14 for details on using SQL\*Loader control file data definition language to load these LOB types

## Partitioned Object Support

SQL\*Loader supports loading partitioned objects in the database. A partitioned object in an Oracle database is a table or index consisting of partitions (pieces) that have been grouped, typically by common logical attributes. For example, sales data for the year 2000 might be partitioned by month. The data for each month is stored in a separate partition of the sales table. Each partition is stored in a separate segment of the database and can have different physical attributes.

SQL\*Loader partitioned object support enables SQL\*Loader to load the following:

- A single partition of a partitioned table
- All partitions of a partitioned table
- A nonpartitioned table

## Application Development: Direct Path Load API

Oracle provides a direct path load API for application developers. See the *Oracle Call Interface Programmer's Guide* for more information.

## SQL\*Loader Case Studies

SQL\*Loader features are illustrated in a variety of case studies. The case studies are based upon the Oracle demonstration database tables, `emp` and `dept`, owned by the user `scott`. (In some case studies, additional columns have been added.)

The case studies are numbered 1 through 11, starting with the simplest scenario and progressing in complexity.

The following is a summary of the case studies:

- Case Study 1: Loading Variable-Length Data - Loads stream format records in which the fields are terminated by commas and may be enclosed by quotation marks. The data is found at the end of the control file.
- Case Study 2: Loading Fixed-Format Fields - Loads data from a separate datafile.
- Case Study 3: Loading a Delimited, Free-Format File - Loads data from stream format records with delimited fields and sequence numbers. The data is found at the end of the control file.
- Case Study 4: Loading Combined Physical Records - Combines multiple physical records into one logical record corresponding to one database row.
- Case Study 5: Loading Data into Multiple Tables - Loads data into multiple tables in one run.

- Case Study 6: Loading Data Using the Direct Path Load Method - Loads data using the direct path load method.
- Case Study 7: Extracting Data from a Formatted Report - Extracts data from a formatted report.
- Case Study 8: Loading Partitioned Tables - Loads partitioned tables.
- Case Study 9: Loading LOBFILES (CLOBs) - Adds a CLOB column called `resume` to the table `emp`, uses a `FILLER` field (`res_file`), and loads multiple LOBFILES into the `emp` table.
- Case Study 10: REF Fields and VARRAYs - Loads a customer table that has a primary key as its OID and stores order items in a `VARRAY`. Loads an order table that has a reference to the customer table and the order items in a `VARRAY`.
- Case Study 11: Loading Data in the Unicode Character Set - Loads data in the Unicode character set, UTF16, in little-endian byte order. This case study uses character-length semantics.

## Case Study Files

Generally, each case study is comprised of the following types of files:

- Control files (for example, `ulcase5.ctl`)
- Datafiles (for example, `ulcase5.dat`)
- Setup files (for example, `ulcase5.sql`)

These files are installed when you install Oracle Database. They are located in the `$ORACLE_HOME/rdbms/demo` directory.

If the sample data for the case study is contained within the control file, then there will be no `.dat` file for that case.

Case study 2 does not require any special set up, so there is no `.sql` script for that case. Case study 7 requires that you run both a starting (setup) script and an ending (cleanup) script.

Table 6–1 lists the files associated with each case.

**Table 6–1 Case Studies and Their Related Files**

Case	.ctl	.dat	.sql
1	<code>ulcase1.ctl</code>	N/A	<code>ulcase1.sql</code>
2	<code>ulcase2.ctl</code>	<code>ulcase2.dat</code>	N/A
3	<code>ulcase3.ctl</code>	N/A	<code>ulcase3.sql</code>
4	<code>ulcase4.ctl</code>	<code>ulcase4.dat</code>	<code>ulcase4.sql</code>
5	<code>ulcase5.ctl</code>	<code>ulcase5.dat</code>	<code>ulcase5.sql</code>
6	<code>ulcase6.ctl</code>	<code>ulcase6.dat</code>	<code>ulcase6.sql</code>
7	<code>ulcase7.ctl</code>	<code>ulcase7.dat</code>	<code>ulcase7s.sql</code> <code>ulcase7e.sql</code>
8	<code>ulcase8.ctl</code>	<code>ulcase8.dat</code>	<code>ulcase8.sql</code>
9	<code>ulcase9.ctl</code>	<code>ulcase9.dat</code>	<code>ulcase9.sql</code>
10	<code>ulcase10.ctl</code>	N/A	<code>ulcase10.sql</code>
11	<code>ulcase11.ctl</code>	<code>ulcase11.dat</code>	<code>ulcase11.sql</code>

## Running the Case Studies

In general, you use the following steps to run the case studies (be sure you are in the `$ORACLE_HOME/rdbms/demo` directory, which is where the case study files are located):

1. At the system prompt, type `sqlplus` and press Enter to start SQL\*Plus. At the user-name prompt, enter `scott`. At the password prompt, enter `tiger`.

The SQL prompt is displayed.

2. At the SQL prompt, execute the SQL script for the case study. For example, to execute the SQL script for case study 1, enter the following:

```
SQL> @ulcase1
```

This prepares and populates tables for the case study and then returns you to the system prompt.

3. At the system prompt, invoke SQL\*Loader and run the case study, as follows:

```
sqlldr USERID=scott CONTROL=ulcase1.ctl LOG=ulcase1.log
```

Substitute the appropriate control file name and log file name for the `CONTROL` and `LOG` parameters and press Enter. When you are prompted for a password, type `tiger` and then press Enter.

Be sure to read the control file for any notes that are specific to the particular case study you are executing. For example, case study 6 requires that you add `DIRECT=TRUE` to the SQL\*Loader command line.

## Case Study Log Files

Log files for the case studies are not provided in the `$ORACLE_HOME/rdbms/demo` directory. This is because the log file for each case study is produced when you execute the case study, provided that you use the `LOG` parameter. If you do not wish to produce a log file, omit the `LOG` parameter from the command line.

## Checking the Results of a Case Study

To check the results of running a case study, start SQL\*Plus and perform a select operation from the table that was loaded in the case study. This is done, as follows:

1. At the system prompt, type `sqlplus` and press Enter to start SQL\*Plus. At the user-name prompt, enter `scott`. At the password prompt, enter `tiger`.

The SQL prompt is displayed.

2. At the SQL prompt, use the `SELECT` statement to select all rows from the table that the case study loaded. For example, if the table `emp` was loaded, enter:

```
SQL> SELECT * FROM emp;
```

The contents of each row in the `emp` table will be displayed.

---

## SQL\*Loader Command-Line Reference

This chapter describes the command-line parameters used to invoke SQL\*Loader. The following topics are discussed:

- [Invoking SQL\\*Loader](#)
- [Command-Line Parameters](#)
- [Exit Codes for Inspection and Display](#)

### Invoking SQL\*Loader

When you invoke SQL\*Loader, you specify parameters to establish session characteristics. If you wish, you can separate the parameters by commas.

Parameters can be specified either by keyword or by position. Specifying by keyword means that you provide the name of the parameter and a value. In the following example, the name of the control file, `ulcase1.ctl`, is supplied for the `CONTROL` parameter. You are prompted for the username and password.

```
> sqlldr CONTROL=ulcase1.ctl
Username: scott
Password: password
```

Specifying by position means that you enter a value, but not the parameter name. In the following example, the username `scott` is provided and then the name of the control file, `ulcase1.ctl`. You are prompted for the password:

```
> sqlldr scott ulcase1.ctl
Password: password
```

Once a keyword specification is used, no positional specification is allowed after that. For example, the following command line would result in an error even though the position of `ulcase1.log` is correct:

```
> sqlldr scott CONTROL=ulcase1.ctl ulcase1.log
```

If you invoke SQL\*Loader without specifying any parameters, SQL\*Loader displays a help screen that lists the available parameters and their default values.

**See Also:** [Command-Line Parameters](#) on page 7-2 for descriptions of all the command-line parameters

## Alternative Ways to Specify Parameters

If the length of the command line exceeds the size of the maximum command line on your system, you can put certain command-line parameters in the control file by using the `OPTIONS` clause.

You can also group parameters together in a parameter file. You specify the name of this file on the command line using the `PARFILE` parameter when you invoke `SQL*Loader`.

These alternative ways of specifying parameters are useful when you often use the same parameters with the same values.

Parameter values specified on the command line override parameter values specified in either a parameter file or in the `OPTIONS` clause.

**See Also:**

- [OPTIONS Clause](#) on page 8-3
- [PARFILE \(parameter file\)](#) on page 7-7

## Command-Line Parameters

This section describes each `SQL*Loader` command-line parameter. The defaults and maximum values listed for these parameters are for UNIX-based systems. They may be different on your operating system. Refer to your Oracle operating system-specific documentation for more information.

### BAD (bad file)

Default: The name of the datafile, with an extension of `.bad`.

`BAD` specifies the name of the bad file created by `SQL*Loader` to store records that cause errors during insert or that are improperly formatted. If you do not specify a filename, the default is used. A bad file is not automatically created if there are no rejected records.

A bad file filename specified on the command line becomes the bad file associated with the first `INFILE` statement in the control file. If the bad file filename was also specified in the control file, the command-line value overrides it.

**See Also:** [Specifying the Bad File](#) on page 8-9 for information about the format of bad files

### BINDSIZE (maximum size)

Default: To see the default value for this parameter, invoke `SQL*Loader` without any parameters, as described in [Invoking SQL\\*Loader](#) on page 7-1.

`BINDSIZE` specifies the maximum size (bytes) of the bind array. The size of the bind array given by `BINDSIZE` overrides the default size (which is system dependent) and any size determined by `ROWS`.

**See Also:**

- [Bind Arrays and Conventional Path Loads](#) on page 8-34
- [READSIZE \(read buffer size\)](#) on page 7-8

## COLUMNARRAYROWS

Default: To see the default value for this parameter, invoke SQL\*Loader without any parameters, as described in [Invoking SQL\\*Loader](#) on page 7-1.

Specifies the number of rows to allocate for direct path column arrays. The value for this parameter is not calculated by SQL\*Loader. You must either specify it or accept the default.

### See Also:

- [Using CONCATENATE to Assemble Logical Records](#) on page 8-21
- [Specifying the Number of Column Array Rows and Size of Stream Buffers](#) on page 11-15

## CONTROL (control file)

Default: none

CONTROL specifies the name of the SQL\*Loader control file that describes how to load the data. If a file extension or file type is not specified, it defaults to `.ctl`. If the filename is omitted, SQL\*Loader prompts you for it.

If the name of your SQL\*Loader control file contains special characters, your operating system may require that they be preceded by an escape character. Also, if your operating system uses backslashes in its file system paths, you may need to use multiple escape characters or to enclose the path in quotation marks. See your Oracle operating system-specific documentation for more information.

**See Also:** [Chapter 8](#) for a detailed description of the SQL\*Loader control file

## DATA (datafile)

Default: The name of the control file, with an extension of `.dat`.

DATA specifies the name of the datafile containing the data to be loaded. If you do not specify a file extension or file type, the default is `.dat`.

If you specify a datafile on the command line and also specify datafiles in the control file with `INFILE`, the data specified on the command line is processed first. The first datafile specified in the control file is ignored. All other datafiles specified in the control file are processed.

If you specify a file processing option when loading data from the control file, a warning message will be issued.

## DATE\_CACHE

Default: Enabled (for 1000 elements). To completely disable the date cache feature, set it to 0.

The date cache is used to store the results of conversions from text strings to internal date format. The cache is useful because the cost of looking up dates is much less than converting from text format to date format. If the same dates occur repeatedly in the data file, then using the date cache can improve the speed of a direct path load.

DATE\_CACHE specifies the date cache size (in entries). For example, DATE\_CACHE=5000 specifies that each date cache created can contain a maximum of

5000 unique date entries. Every table has its own date cache, if one is needed. A date cache is created only if at least one date or timestamp value is loaded that requires datatype conversion in order to be stored in the table.

The date cache feature is only available for direct path loads. It is enabled by default. The default date cache size is 1000 elements. If the default size is used and the number of unique input values loaded exceeds 1000, then the date cache feature is automatically disabled for that table. However, if you override the default and specify a nonzero date cache size and that size is exceeded, then the cache is not disabled.

You can use the date cache statistics (entries, hits, and misses) contained in the log file to tune the size of the cache for future similar loads.

**See Also:** [Specifying a Value for the Date Cache](#) on page 11-16

## DIRECT (data path)

Default: `false`

DIRECT specifies the data path, that is, the load method to use, either conventional path or direct path. A value of `true` specifies a direct path load. A value of `false` specifies a conventional path load.

**See Also:** [Chapter 11, "Conventional and Direct Path Loads"](#)

## DISCARD (filename)

Default: The name of the datafile, with an extension of `.dsc`.

DISCARD specifies a discard file (optional) to be created by SQL\*Loader to store records that are neither inserted into a table nor rejected.

A discard file filename specified on the command line becomes the discard file associated with the first INFILE statement in the control file. If the discard file filename is specified also in the control file, the command-line value overrides it.

**See Also:** [Discarded and Rejected Records](#) on page 6-8 for information about the format of discard files

## DISCARDMAX (integer)

Default: ALL

DISCARDMAX specifies the number of discard records to allow before data loading is terminated. To stop on the first discarded record, specify one (1).

## ERRORS (errors to allow)

Default: To see the default value for this parameter, invoke SQL\*Loader without any parameters, as described in [Invoking SQL\\*Loader](#) on page 7-1.

ERRORS specifies the maximum number of insert errors to allow. If the number of errors exceeds the value specified for ERRORS, then SQL\*Loader terminates the load. To permit no errors at all, set ERRORS=0. To specify that all errors be allowed, use a very high number.

On a single-table load, SQL\*Loader terminates the load when errors exceed this error limit. Any data inserted up that point, however, is committed.

SQL\*Loader maintains the consistency of records across all tables. Therefore, multitable loads do not terminate immediately if errors exceed the error limit. When



SQL\*Loader encounters the maximum number of errors for a multitable load, it continues to load rows to ensure that valid rows previously loaded into tables are loaded into all tables and rejected rows are filtered out of all tables.

In all cases, SQL\*Loader writes erroneous records to the bad file.

## EXTERNAL\_TABLE

Default: NOT\_USED

EXTERNAL\_TABLE instructs SQL\*Loader whether or not to load data using the external tables option. There are three possible values:

- NOT\_USED - the default value. It means the load is performed using either conventional or direct path mode.
- GENERATE\_ONLY - places all the SQL statements needed to do the load using external tables, as described in the control file, in the SQL\*Loader log file. These SQL statements can be edited and customized. The actual load can be done later without the use of SQL\*Loader by executing these statements in SQL\*Plus.
- EXECUTE - attempts to execute the SQL statements that are needed to do the load using external tables. However, if any of the SQL statements returns an error, then the attempt to load stops. Statements are placed in the log file as they are executed. This means that if a SQL statement returns an error, then the remaining SQL statements required for the load will not be placed in the log file.

If you use EXTERNAL\_TABLE=EXECUTE and also use the SEQUENCE parameter in your SQL\*Loader control file, then SQL\*Loader creates a database sequence, loads the table using that sequence, and then deletes the sequence. The results of doing the load this way will be different than if the load were done with conventional or direct path. (For more information about creating sequences, see CREATE SEQUENCE in *Oracle Database SQL Language Reference*.)

Note that the external tables option uses directory objects in the database to indicate where all datafiles are stored and to indicate where output files, such as bad files and discard files, are created. You must have READ access to the directory objects containing the datafiles, and you must have WRITE access to the directory objects where the output files are created. If there are no existing directory objects for the location of a datafile or output file, SQL\*Loader will generate the SQL statement to create one. Therefore, when the EXECUTE option is specified, you must have the CREATE ANY DIRECTORY privilege. If you want the directory object to be deleted at the end of the load, you must also have the DELETE ANY DIRECTORY privilege.

---

---

**Note:** The `EXTERNAL_TABLE=EXECUTE` qualifier tells SQL\*Loader to create an external table that can be used to load data and then execute the `INSERT` statement to load the data. All files in the external table must be identified as being in a directory object. SQL\*Loader attempts to use directory objects that already exist and that you have privileges to access. However, if SQL\*Loader does not find the matching directory object, it attempts to create a temporary directory object. If you do not have privileges to create new directory objects, then the operation fails.

To work around this, use `EXTERNAL_TABLE=GENERATE_ONLY` to create the SQL statements that SQL\*Loader would try to execute. Extract those SQL statements and change references to directory objects to be the directory object that you have privileges to access. Then, execute those SQL statements.

---

---

When using a multitable load, SQL\*Loader does the following:

1. Creates a table in the database that describes all fields in the datafile that will be loaded into any table.
2. Creates an `INSERT` statement to load this table from an external table description of the data.
3. Executes one `INSERT` statement for every table in the control file.

To see an example of this, run case study 5, but add the `EXTERNAL_TABLE=GENERATE_ONLY` parameter. To guarantee unique names in the external table, SQL\*Loader uses generated names for all fields. This is because the field names may not be unique across the different tables in the control file.

**See Also:**

- [SQL\\*Loader Case Studies](#) on page 6-12 for information on how to access case studies
- [Chapter 12, "External Tables Concepts"](#)
- [Chapter 13, "The ORACLE\\_LOADER Access Driver"](#)

### Restrictions When Using `EXTERNAL_TABLE`

The following restrictions apply when you use the `EXTERNAL_TABLE` qualifier:

- Julian dates cannot be used when you insert data into a database table from an external table through SQL\*Loader. To work around this, use `TO_DATE` and `TO_CHAR` to convert the Julian date format, as shown in the following example:

```
TO_CHAR(TO_DATE(:COL1, 'MM-DD-YYYY'), 'J')
```

- Built-in functions and SQL strings cannot be used for object elements when you insert data into a database table from an external table.

## FILE (tablespace file to load into)

Default: none

`FILE` specifies the database file to allocate extents from. It is used only for direct path parallel loads. By varying the value of the `FILE` parameter for different SQL\*Loader processes, data can be loaded onto a system with minimal disk contention.

**See Also:** [Parallel Data Loading Models](#) on page 11-23

## LOAD (number of records to load)

Default: All records are loaded.

LOAD specifies the maximum number of logical records to load (after skipping the specified number of records). No error occurs if fewer than the maximum number of records are found.

## LOG (log file)

Default: The name of the control file, with an extension of `.log`.

LOG specifies the log file that SQL\*Loader will create to store logging information about the loading process.

## MULTITHREADING

Default: `true` on multiple-CPU systems, `false` on single-CPU systems

This parameter is available only for direct path loads.

By default, the multithreading option is always enabled (set to `true`) on multiple-CPU systems. In this case, the definition of a multiple-CPU system is a single system that has more than one CPU.

On single-CPU systems, multithreading is set to `false` by default. To use multithreading between two single-CPU systems, you must enable multithreading; it will not be on by default. This will allow stream building on the client system to be done in parallel with stream loading on the server system.

Multithreading functionality is operating system-dependent. Not all operating systems support multithreading.

**See Also:** [Optimizing Direct Path Loads on Multiple-CPU Systems](#) on page 11-17

## PARALLEL (parallel load)

Default: `false`

PARALLEL specifies whether direct loads can operate in multiple concurrent sessions to load data into the same table.

**See Also:** [Parallel Data Loading Models](#) on page 11-23

## PARFILE (parameter file)

Default: none

PARFILE specifies the name of a file that contains commonly used command-line parameters. For example, a parameter file named `daily_report.par` might have the following contents:

```
USERID=scott
CONTROL=daily_report.ctl
ERRORS=9999
LOG=daily_report.log
```

For security reasons, you should not include your USERID password in a parameter file. SQL\*Loader will prompt you for the password after you specify the parameter file at the command line, for example:

```
sqlldr PARFILE=daily_report.par  
Password: password
```

---

---

**Note:** Although it is not usually important, on some systems it may be necessary to have no spaces around the equal sign (=) in the parameter specifications.

---

---

## READSIZE (read buffer size)

Default: To see the default value for this parameter, invoke SQL\*Loader without any parameters, as described in [Invoking SQL\\*Loader](#) on page 7-1.

The READSIZE parameter is used *only* when reading data from datafiles. When reading records from a control file, a value of 64 kilobytes (KB) is *always* used as the READSIZE.

The READSIZE parameter lets you specify (in bytes) the size of the read buffer, if you choose not to use the default. The maximum size allowed is platform dependent.

In the conventional path method, the bind array is limited by the size of the read buffer. Therefore, the advantage of a larger read buffer is that more data can be read before a commit operation is required.

For example, setting READSIZE to 1000000 enables SQL\*Loader to perform reads from the external datafile in chunks of 1,000,000 bytes before a commit is required.

---

---

**Note:** If the READSIZE value specified is smaller than the BINDSIZE value, the READSIZE value will be increased.

---

---

The READSIZE parameter has no effect on LOBs. The size of the LOB read buffer is fixed at 64 kilobytes (KB).

See [BINDSIZE \(maximum size\)](#) on page 7-2.

## RESUMABLE

Default: `false`

The RESUMABLE parameter is used to enable and disable resumable space allocation. Because this parameter is disabled by default, you must set `RESUMABLE=true` in order to use its associated parameters, `RESUMABLE_NAME` and `RESUMABLE_TIMEOUT`.

**See Also:**

- *Oracle Database Concepts*
- *Oracle Database Administrator's Guide*

## RESUMABLE\_NAME

Default: 'User USERNAME (USERID), Session SESSIONID, Instance INSTANCEID'

The value for this parameter identifies the statement that is resumable. This value is a user-defined text string that is inserted in either the `USER_RESUMABLE` or `DBA_RESUMABLE` view to help you identify a specific resumable statement that has been suspended.

This parameter is ignored unless the `RESUMABLE` parameter is set to `true` to enable resumable space allocation.

## RESUMABLE\_TIMEOUT

Default: 7200 seconds (2 hours)

The value of the parameter specifies the time period during which an error must be fixed. If the error is not fixed within the timeout period, execution of the statement is terminated, without finishing.

This parameter is ignored unless the `RESUMABLE` parameter is set to `true` to enable resumable space allocation.

## ROWS (rows per commit)

Default: To see the default value for this parameter, invoke `SQL*Loader` without any parameters, as described in [Invoking SQL\\*Loader](#) on page 7-1.

Keep in mind that if you specify a low value for `ROWS` and then attempt to compress data using table compression, your compression ratio will probably be degraded. Oracle recommends that you either specify a high value or accept the default value when compressing data.

Conventional path loads only: `ROWS` specifies the number of rows in the bind array. See [Bind Arrays and Conventional Path Loads](#) on page 8-34.

Direct path loads only: `ROWS` identifies the number of rows you want to read from the datafile before a data save. The default is to read all rows and save data once at the end of the load. See [Using Data Saves to Protect Against Data Loss](#) on page 11-10. The actual number of rows loaded into a table on a save is approximately the value of `ROWS` minus the number of discarded and rejected records since the last save.

---



---

**Note:** The `ROWS` parameter is ignored for direct path loads when data is loaded into an Index Organized Table (IOT) or into a table containing `VARRAYs`, XML columns, or `LOBs`. This means that the load will still take place, but no save points will be done.

---



---

## SILENT (feedback mode)

When `SQL*Loader` begins, information about the `SQL*Loader` version being used appears on the screen and is placed in the log file. As `SQL*Loader` executes, you also see feedback messages on the screen, for example:

```
Commit point reached - logical record count 20
```

`SQL*Loader` may also display data error messages similar to the following:

```
Record 4: Rejected - Error on table EMP
ORA-00001: unique constraint <name> violated
```

You can suppress these messages by specifying `SILENT` with one or more values.

For example, you can suppress the header and feedback messages that normally appear on the screen with the following command-line argument:

```
SILENT=(HEADER, FEEDBACK)
```

Use the appropriate values to suppress one or more of the following:

- **HEADER** - Suppresses the SQL\*Loader header messages that normally appear on the screen. Header messages still appear in the log file.
- **FEEDBACK** - Suppresses the "commit point reached" feedback messages that normally appear on the screen.
- **ERRORS** - Suppresses the data error messages in the log file that occur when a record generates an Oracle error that causes it to be written to the bad file. A count of rejected records still appears.
- **DISCARDS** - Suppresses the messages in the log file for each record written to the discard file.
- **PARTITIONS** - Disables writing the per-partition statistics to the log file during a direct load of a partitioned table.
- **ALL** - Implements all of the suppression values: **HEADER**, **FEEDBACK**, **ERRORS**, **DISCARDS**, and **PARTITIONS**.

## SKIP (records to skip)

Default: No records are skipped.

**SKIP** specifies the number of logical records from the beginning of the file that should not be loaded.

This parameter continues loads that have been interrupted for some reason. It is used for all conventional loads, for single-table direct loads, and for multiple-table direct loads when the same number of records was loaded into each table. It is not used for multiple-table direct loads when a different number of records was loaded into each table.

If a **WHEN** clause is also present and the load involves secondary data, the secondary data is skipped only if the **WHEN** clause succeeds for the record in the primary data file.

**See Also:** [Interrupted Loads](#) on page 8-18

## SKIP\_INDEX\_MAINTENANCE

Default: `false`

The **SKIP\_INDEX\_MAINTENANCE** parameter stops index maintenance for direct path loads but does not apply to conventional path loads. It causes the index partitions that would have had index keys added to them to be marked Index Unusable instead, because the index segment is inconsistent with respect to the data it indexes. Index segments that are not affected by the load retain the Index Unusable state they had prior to the load.

The **SKIP\_INDEX\_MAINTENANCE** parameter:

- Applies to both local and global indexes
- Can be used (with the **PARALLEL** parameter) to do parallel loads on an object that has indexes

- Can be used (with the `PARTITION` parameter on the `INTO TABLE` clause) to do a single partition load to a table that has global indexes
- Puts a list (in the SQL\*Loader log file) of the indexes and index partitions that the load set into Index Unusable state

## SKIP\_UNUSABLE\_INDEXES

Default: The value of the Oracle database configuration parameter, `SKIP_UNUSABLE_INDEXES`, as specified in the initialization parameter file. The default database setting is `TRUE`.

Both SQL\*Loader and the Oracle database provide a `SKIP_UNUSABLE_INDEXES` parameter. The SQL\*Loader `SKIP_UNUSABLE_INDEXES` parameter is specified at the SQL\*Loader command line. The Oracle database `SKIP_UNUSABLE_INDEXES` parameter is specified as a configuration parameter in the initialization parameter file. It is important to understand how they affect each other.

If you specify a value for `SKIP_UNUSABLE_INDEXES` at the SQL\*Loader command line, it overrides the value of the `SKIP_UNUSABLE_INDEXES` configuration parameter in the initialization parameter file.

If you do not specify a value for `SKIP_UNUSABLE_INDEXES` at the SQL\*Loader command line, then SQL\*Loader uses the database setting for the `SKIP_UNUSABLE_INDEXES` configuration parameter, as specified in the initialization parameter file. If the initialization parameter file does not specify a database setting for `SKIP_UNUSABLE_INDEXES`, then the default database setting is `TRUE`.

A value of `TRUE` for `SKIP_UNUSABLE_INDEXES` means that if an index in an Index Unusable state is encountered, it is skipped and the load operation continues. This allows SQL\*Loader to load a table with indexes that are in an Unusable state prior to the beginning of the load. Indexes that are not in an Unusable state at load time will be maintained by SQL\*Loader. Indexes that are in an Unusable state at load time will not be maintained but will remain in an Unusable state at load completion.

---



---

**Note:** Indexes that are unique and marked Unusable are not allowed to skip index maintenance. This rule is enforced by DML operations, and enforced by the direct path load to be consistent with DML.

---



---

The `SKIP_UNUSABLE_INDEXES` parameter applies to both conventional and direct path loads.

## STREAMSIZE

Default: To see the default value for this parameter, invoke SQL\*Loader without any parameters, as described in [Invoking SQL\\*Loader](#) on page 7-1.

Specifies the size, in bytes, for direct path streams.

**See Also:** [Specifying the Number of Column Array Rows and Size of Stream Buffers](#) on page 11-15

## USERID (username/password)

Default: none

USERID is used to provide your Oracle username and password. If it is omitted, you are prompted for it. If only a slash is used, USERID defaults to your operating system login.

If you connect as user SYS, you must also specify AS SYSDBA in the connect string.

---

**Note:** Because the string, AS SYSDBA, contains a blank, some operating systems may require that the entire connect string be placed in quotation marks or marked as a literal by some method. Some operating systems also require that quotation marks on the command line be preceded by an escape character, such as backslashes.

See your Oracle operating system-specific documentation for information about special and reserved characters on your system.

---

## Exit Codes for Inspection and Display

Oracle SQL\*Loader provides the results of a SQL\*Loader run immediately upon completion. Depending on the platform, SQL\*Loader may report the outcome in a process exit code as well as recording the results in the log file. This Oracle SQL\*Loader functionality allows for checking the outcome of a SQL\*Loader invocation from the command line or a script. [Table 7-1](#) shows the exit codes for various results.

**Table 7-1** Exit Codes for SQL\*Loader

Result	Exit Code
All rows loaded successfully	EX_SUCC
All or some rows rejected	EX_WARN
All or some rows discarded	EX_WARN
Discontinued load	EX_WARN
Command-line or syntax errors	EX_FAIL
Oracle errors nonrecoverable for SQL*Loader	EX_FAIL
Operating system errors (such as file open/close and malloc)	EX_FAIL

For UNIX, the exit codes are as follows:

```
EX_SUCC 0
EX_FAIL 1
EX_WARN 2
EX_FTL  3
```

For Windows NT, the exit codes are as follows:

```
EX_SUCC 0
EX_FAIL 1
EX_WARN 2
EX_FTL  4
```

If SQL\*Loader returns any exit code other than zero, you should consult your system log files and SQL\*Loader log files for more detailed diagnostic information.

In UNIX, you can check the exit code from the shell to determine the outcome of a load.



---

---

## SQL\*Loader Control File Reference

This chapter describes the SQL\*Loader control file. The following topics are included:

- [Control File Contents](#)
- [Specifying Command-Line Parameters in the Control File](#)
- [Specifying Filenames and Object Names](#)
- [Identifying XMLType Tables](#)
- [Specifying Datafiles](#)
- [Identifying Data in the Control File with BEGINDATA](#)
- [Specifying Datafile Format and Buffering](#)
- [Specifying the Bad File](#)
- [Specifying the Discard File](#)
- [Handling Different Character Encoding Schemes](#)
- [Interrupted Loads](#)
- [Assembling Logical Records from Physical Records](#)
- [Loading Logical Records into Tables](#)
- [Index Options](#)
- [Benefits of Using Multiple INTO TABLE Clauses](#)
- [Bind Arrays and Conventional Path Loads](#)

### Control File Contents

The SQL\*Loader control file is a text file that contains data definition language (DDL) instructions. DDL is used to control the following aspects of a SQL\*Loader session:

- Where SQL\*Loader will find the data to load
- How SQL\*Loader expects that data to be formatted
- How SQL\*Loader will be configured (memory management, rejecting records, interrupted load handling, and so on) as it loads the data
- How SQL\*Loader will manipulate the data being loaded

See [Appendix A](#) for syntax diagrams of the SQL\*Loader DDL.

To create the SQL\*Loader control file, use a text editor such as vi or xemacs.

In general, the control file has three main sections, in the following order:

- Session-wide information
- Table and field-list information
- Input data (optional section)

[Example 8-1](#) shows a sample control file.

**Example 8-1 Sample Control File**

```

1  -- This is a sample control file
2  LOAD DATA
3  INFILE 'sample.dat'
4  BADFILE 'sample.bad'
5  DISCARDFILE 'sample.dsc'
6  APPEND
7  INTO TABLE emp
8  WHEN (57) = '.'
9  TRAILING NULLCOLS
10 (hiredate SYSDATE,
    deptno POSITION(1:2)  INTEGER EXTERNAL(2)
        NULLIF deptno=BLANKS,
    job POSITION(7:14)  CHAR  TERMINATED BY WHITESPACE
        NULLIF job=BLANKS  "UPPER(:job)",
    mgr  POSITION(28:31) INTEGER EXTERNAL
        TERMINATED BY WHITESPACE, NULLIF mgr=BLANKS,
    ename POSITION(34:41) CHAR
        TERMINATED BY WHITESPACE  "UPPER(:ename)",
    empno POSITION(45)  INTEGER EXTERNAL
        TERMINATED BY WHITESPACE,
    sal  POSITION(51) CHAR  TERMINATED BY WHITESPACE
        "TO_NUMBER(:sal, '$99,999.99')",
    comm  INTEGER EXTERNAL  ENCLOSED BY '(' AND '%'
        ":comm * 100"
    )

```

In this sample control file, the numbers that appear to the left would not appear in a real control file. They are keyed in this sample to the explanatory notes in the following list:

1. This is how comments are entered in a control file. See [Comments in the Control File](#) on page 8-3.
2. The `LOAD DATA` statement tells SQL\*Loader that this is the beginning of a new data load. See [Appendix A](#) for syntax information.
3. The `INFILE` clause specifies the name of a datafile containing data that you want to load. See [Specifying Datafiles](#) on page 8-6.
4. The `BADFILE` clause specifies the name of a file into which rejected records are placed. See [Specifying the Bad File](#) on page 8-9.
5. The `DISCARDFILE` clause specifies the name of a file into which discarded records are placed. See [Specifying the Discard File](#) on page 8-11.
6. The `APPEND` clause is one of the options you can use when loading data into a table that is not empty. See [Loading Data into Nonempty Tables](#) on page 8-25.

To load data into a table that is empty, you would use the `INSERT` clause. See [Loading Data into Empty Tables](#) on page 8-25.

7. The `INTO TABLE` clause enables you to identify tables, fields, and datatypes. It defines the relationship between records in the datafile and tables in the database. See [Specifying Table Names](#) on page 8-24.
8. The `WHEN` clause specifies one or more field conditions. SQL\*Loader decides whether or not to load the data based on these field conditions. See [Loading Records Based on a Condition](#) on page 8-27.
9. The `TRAILING NULLCOLS` clause tells SQL\*Loader to treat any relatively positioned columns that are not present in the record as null columns. See [Handling Short Records with Missing Data](#) on page 8-28.
10. The remainder of the control file contains the field list, which provides information about column formats in the table being loaded. See [Chapter 9](#) for information about that section of the control file.

## Comments in the Control File

Comments can appear anywhere in the command section of the file, but they should not appear within the data. Precede any comment with two hyphens, for example:

```
--This is a comment
```

All text to the right of the double hyphen is ignored, until the end of the line.

## Specifying Command-Line Parameters in the Control File

You can specify command-line parameters in the SQL\*Loader control file using the `OPTIONS` clause. This can be useful when you typically invoke a control file with the same set of options. The `OPTIONS` clause precedes the `LOAD DATA` statement.

### OPTIONS Clause

The following command-line parameters can be specified using the `OPTIONS` clause. These parameters are described in greater detail in [Chapter 7](#).

```
BINDSIZE = n
COLUMNARRAYROWS = n
DATE_CACHE = n
DIRECT = {TRUE | FALSE}
ERRORS = n
EXTERNAL_TABLE = {NOT_USED | GENERATE_ONLY | EXECUTE}
FILE
LOAD = n
MULTITHREADING = {TRUE | FALSE}
PARALLEL = {TRUE | FALSE}
READSIZE = n
RESUMABLE = {TRUE | FALSE}
RESUMABLE_NAME = 'text string'
RESUMABLE_TIMEOUT = n
ROWS = n
SILENT = {HEADER | FEEDBACK | ERRORS | DISCARDS | PARTITIONS | ALL}
SKIP = n
SKIP_INDEX_MAINTENANCE = {TRUE | FALSE}
SKIP_UNUSABLE_INDEXES = {TRUE | FALSE}
STREAMSIZE = n
```

The following is an example use of the `OPTIONS` clause that you could use in a SQL\*Loader control file:

```
OPTIONS (BINDSIZE=100000, SILENT=(ERRORS, FEEDBACK) )
```

---

---

**Note:** Parameter values specified on the command line override parameter values specified in the control file `OPTIONS` clause.

---

---

## Specifying Filenames and Object Names

In general, SQL\*Loader follows the SQL standard for specifying object names (for example, table and column names). The information in this section discusses the following topics:

- [Filenames That Conflict with SQL and SQL\\*Loader Reserved Words](#)
- [Specifying SQL Strings](#)
- [Operating System Considerations](#)

### Filenames That Conflict with SQL and SQL\*Loader Reserved Words

SQL and SQL\*Loader reserved words must be specified within double quotation marks. The only SQL\*Loader reserved word is `CONSTANT`.

You must use double quotation marks if the object name contains special characters other than those recognized by SQL (`$`, `#`, `_`), or if the name is case sensitive.

**See Also:** *Oracle Database SQL Language Reference*

### Specifying SQL Strings

You must specify SQL strings within double quotation marks. The SQL string applies SQL operators to data fields.

**See Also:** [Applying SQL Operators to Fields](#) on page 9-40

### Operating System Considerations

The following sections discuss situations in which your course of action may depend on the operating system you are using.

#### Specifying a Complete Path

If you encounter problems when trying to specify a complete path name, it may be due to an operating system-specific incompatibility caused by special characters in the specification. In many cases, specifying the path name within single quotation marks prevents errors.

#### Backslash Escape Character

In DDL syntax, you can place a double quotation mark inside a string delimited by double quotation marks by preceding it with the escape character, `"\"` (if the escape character is allowed on your operating system). The same rule applies when single quotation marks are required in a string delimited by single quotation marks.

For example, `homedir\data"norm\mydata` contains a double quotation mark. Preceding the double quotation mark with a backslash indicates that the double quotation mark is to be taken literally:

```
INFILE 'homedir\data\"norm\mydata'
```

You can also put the escape character itself into a string by entering it twice.

For example:

```
"so\"far"      or 'so\'"far'      is parsed as  so"far
"'so\\far'"    or '\\so\\far\\''    is parsed as  'so\\far'
"so\\\\far"     or 'so\\\\far'        is parsed as  so\\far
```

---



---

**Note:** A double quotation mark in the initial position cannot be preceded by an escape character. Therefore, you should avoid creating strings with an initial quotation mark.

---



---

### Nonportable Strings

There are two kinds of character strings in a SQL\*Loader control file that are not portable between operating systems: *filename* and *file processing option* strings. When you convert to a different operating system, you will probably need to modify these strings. All other strings in a SQL\*Loader control file should be portable between operating systems.

### Using the Backslash as an Escape Character

If your operating system uses the backslash character to separate directories in a path name, *and* if the version of the Oracle database running on your operating system implements the backslash escape character for filenames and other nonportable strings, then you must specify double backslashes in your path names and use single quotation marks.

### Escape Character Is Sometimes Disallowed

The version of the Oracle database running on your operating system may not implement the escape character for nonportable strings. When the escape character is disallowed, a backslash is treated as a normal character, rather than as an escape character (although it is still usable in all other strings). Then path names such as the following can be specified normally:

```
INFILE 'topdir\mydir\myfile'
```

Double backslashes are not needed.

Because the backslash is not recognized as an escape character, strings within single quotation marks cannot be embedded inside another string delimited by single quotation marks. This rule also holds for double quotation marks. A string within double quotation marks cannot be embedded inside another string delimited by double quotation marks.

## Identifying XMLType Tables

As of Oracle Database 10g, the `XMLTYPE` clause is available for use in a SQL\*Loader control file. This clause is of the format `XMLTYPE(field name)`. It is used to identify XMLType tables so that the correct SQL statement can be constructed. [Example 8–2](#) shows how the `XMLTYPE` clause can be used in a SQL\*Loader control file to load data into a schema-based XMLType table.

### Example 8–2 Identifying XMLType Tables in the SQL\*Loader Control File

The XML schema definition is as follows. It registers the XML schema, `xdb_user.xsd`, in the Oracle XML DB, and then creates the table, `xdb_tab5`.

```

begin dbms_xmlschema.registerSchema('xdb_user.xsd',
'<xs:schema xmlns:xs="http://www.w3.org/2001/XMLSchema"
      xmlns:xdb="http://xmlns.oracle.com/xdb">
  <xs:element name = "Employee"
      xdb:defaultTable="EMP31B_TAB">
    <xs:complexType>
      <xs:sequence>
        <xs:element name = "EmployeeId" type = "xs:positiveInteger"/>
        <xs:element name = "Name" type = "xs:string"/>
        <xs:element name = "Salary" type = "xs:positiveInteger"/>
        <xs:element name = "DeptId" type = "xs:positiveInteger"
            xdb:SQLName="DEPTID"/>
      </xs:sequence>
    </xs:complexType>
  </xs:element>
</xs:schema>',
TRUE, TRUE, FALSE); end;
/

```

The table is defined as follows:

```
CREATE TABLE xdb_tab5 OF XMLTYPE XMLSCHEMA "xdb_user.xsd" ELEMENT "Employee";
```

The control file used to load data into the table, `xdb_tab5`, looks as follows. It loads XMLType data using the registered XML schema, `xdb_user.xsd`. The XMLTYPE clause is used to identify this table as an XMLType table. Either direct path or conventional mode can be used to load the data into the table.

```

LOAD DATA
INFILE *
INTO TABLE xdb_tab5 TRUNCATE
xmltype(xmldata)
(
  xmldata  char(4000)
)
BEGINDATA
<Employee> <EmployeeId>111</EmployeeId> <Name>Ravi</Name> <Salary>100000</Salary> <DeptId>12</DeptId></Employee>
<Employee> <EmployeeId>112</EmployeeId> <Name>John</Name> <Salary>150000</Salary> <DeptId>12</DeptId></Employee>
<Employee> <EmployeeId>113</EmployeeId> <Name>Michael</Name> <Salary>75000</Salary> <DeptId>12</DeptId></Employee>
<Employee> <EmployeeId>114</EmployeeId> <Name>Mark</Name> <Salary>125000</Salary> <DeptId>16</DeptId></Employee>
<Employee> <EmployeeId>115</EmployeeId> <Name>Aaron</Name> <Salary>600000</Salary> <DeptId>16</DeptId></Employee>

```

## Specifying Datafiles

To specify a datafile that contains the data to be loaded, use the `INFILE` keyword, followed by the filename and optional file processing options string. You can specify multiple files by using multiple `INFILE` keywords.

---

**Note:** You can also specify the datafile from the command line, using the `DATA` parameter described in [Command-Line Parameters](#) on page 7-2. A filename specified on the command line overrides the first `INFILE` clause in the control file.

---

If no filename is specified, the filename defaults to the control filename with an extension or file type of `.dat`.

If the control file itself contains the data to be loaded, specify an asterisk (\*). This specification is described in [Identifying Data in the Control File with BEGINDATA](#) on page 8-8.

---

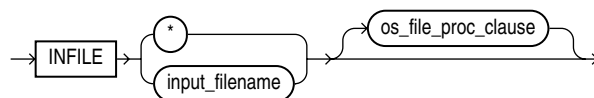
**Note:** The information in this section applies only to primary datafiles. It does not apply to LOBFILES or SDFs.

For information about LOBFILES, see [Loading LOB Data from LOBFILES](#) on page 10-17.

For information about SDFs, see [Secondary Datafiles \(SDFs\)](#) on page 10-24.

---

The syntax for INFILE is as follows:



[Table 8-1](#) describes the parameters for the INFILE keyword.

**Table 8-1 Parameters for the INFILE Keyword**

Parameter	Description
INFILE	Specifies that a datafile specification follows.
<i>input_filename</i>	Name of the file containing the data.  Any spaces or punctuation marks in the filename must be enclosed in single quotation marks. See <a href="#">Specifying Filenames and Object Names</a> on page 8-4.
*	If your data is in the control file itself, use an asterisk instead of the filename. If you have data in the control file as well as datafiles, you must specify the asterisk first in order for the data to be read.
<i>os_file_proc_clause</i>	This is the file-processing options string. It specifies the datafile format. It also optimizes datafile reads. The syntax used for this string is specific to your operating system. See <a href="#">Specifying Datafile Format and Buffering</a> on page 8-9.

## Examples of INFILE Syntax

The following list shows different ways you can specify INFILE syntax:

- Data contained in the control file itself:  
`INFILE *`
- Data contained in a file named `sample` with a default extension of `.dat` :  
`INFILE sample`
- Data contained in a file named `datafile.dat` with a full path specified:  
`INFILE 'c:/topdir/subdir/datafile.dat'`

---

---

**Note:** Filenames that include spaces or punctuation marks must be enclosed in single quotation marks.

---

---

## Specifying Multiple Datafiles

To load data from multiple datafiles in one SQL\*Loader run, use an INFILE clause for each datafile. Datafiles need not have the same file processing options, although the layout of the records must be identical. For example, two files could be specified with completely different file processing options strings, and a third could consist of data in the control file.

You can also specify a separate discard file and bad file for each datafile. In such a case, the separate bad files and discard files must be declared immediately after each datafile name. For example, the following excerpt from a control file specifies four datafiles with separate bad and discard files:

```
INFILE mydat1.dat BADFILE mydat1.bad DISCARDFILE mydat1.dis
INFILE mydat2.dat
INFILE mydat3.dat DISCARDFILE mydat3.dis
INFILE mydat4.dat DISCARDMAX 10 0
```

- For `mydat1.dat`, both a bad file and discard file are explicitly specified. Therefore both files are created, as needed.
- For `mydat2.dat`, neither a bad file nor a discard file is specified. Therefore, only the bad file is created, as needed. If created, the bad file has the default filename and extension `mydat2.bad`. The discard file is *not* created, even if rows are discarded.
- For `mydat3.dat`, the default bad file is created, if needed. A discard file with the specified name (`mydat3.dis`) is created, as needed.
- For `mydat4.dat`, the default bad file is created, if needed. Because the `DISCARDMAX` option is used, SQL\*Loader assumes that a discard file is required and creates it with the default name `mydat4.dsc`.

## Identifying Data in the Control File with BEGINDATA

If the data is included in the control file itself, then the INFILE clause is followed by an asterisk rather than a filename. The actual data is placed in the control file after the load configuration specifications.

Specify the BEGINDATA statement before the first data record. The syntax is:

```
BEGINDATA
data
```

Keep the following points in mind when using the BEGINDATA statement:

- If you omit the BEGINDATA statement but include data in the control file, SQL\*Loader tries to interpret your data as control information and issues an error message. If your data is in a separate file, do not use the BEGINDATA statement.
- Do not use spaces or other characters on the same line as the BEGINDATA statement, or the line containing BEGINDATA will be interpreted as the first line of data.
- Do not put comments after BEGINDATA, or they will also be interpreted as data.



**See Also:**

- [Specifying Datafiles](#) on page 8-6 for an explanation of using `INFILE`
- Case study 1, Loading Variable-Length Data (see [SQL\\*Loader Case Studies](#) on page 6-12 for information on how to access case studies)

## Specifying Datafile Format and Buffering

When configuring SQL\*Loader, you can specify an operating system-dependent file processing options string (*os\_file\_proc\_clause*) in the control file to specify file format and buffering.

For example, suppose that your operating system has the following option-string syntax:



In this syntax, `RECSIZE` is the size of a fixed-length record, and `BUFFERS` is the number of buffers to use for asynchronous I/O.

To declare a file named `mydata.dat` as a file that contains 80-byte records and instruct SQL\*Loader to use 8 I/O buffers, you would use the following control file entry:

```
INFILE 'mydata.dat' "RECSIZE 80 BUFFERS 8"
```

---



---

**Note:** This example uses the recommended convention of single quotation marks for filenames and double quotation marks for everything else.

---



---

**See Also:** *Oracle Database Platform Guide for Microsoft Windows* for information about using the *os\_file\_proc\_clause* on Windows systems.

## Specifying the Bad File

When SQL\*Loader executes, it can create a file called a bad file or reject file in which it places records that were rejected because of formatting errors or because they caused Oracle errors. If you have specified that a bad file is to be created, the following applies:

- If one or more records are rejected, the bad file is created and the rejected records are logged.
- If no records are rejected, then the bad file is not created.
- If the bad file is created, it overwrites any existing file with the same name; ensure that you do not overwrite a file you wish to retain.

---



---

**Note:** On some systems, a new version of the file may be created if a file with the same name already exists.

---



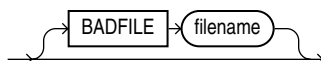
---

To specify the name of the bad file, use the `BADFILE` clause, followed by a filename. If you do not specify a name for the bad file, the name defaults to the name of the datafile with an extension or file type of `.bad`. You can also specify the bad file from the command line with the `BAD` parameter described in [Command-Line Parameters](#) on page 7-2.

A filename specified on the command line is associated with the first `INFILE` clause in the control file, overriding any bad file that may have been specified as part of that clause.

The bad file is created in the same record and file format as the datafile so that you can reload the data after you correct it. For datafiles in stream record format, the record terminator that is found in the datafile is also used in the bad file.

The syntax for the bad file is as follows:



The `BADFILE` clause specifies that a filename for the bad file follows.

The `filename` parameter specifies a valid filename specification for your platform. Any spaces or punctuation marks in the filename must be enclosed in single quotation marks.

## Examples of Specifying a Bad File Name

To specify a bad file with filename `sample` and default file extension or file type of `.bad`, enter:

```
BADFILE sample
```

To specify a bad file with filename `bad0001` and file extension or file type of `.rej`, enter either of the following lines:

```
BADFILE bad0001.rej
BADFILE '/REJECT_DIR/bad0001.rej'
```

## How Bad Files Are Handled with LOBFILES and SDFs

Data from LOBFILES and SDFs is not written to a bad file when there are rejected rows. If there is an error loading a LOB, the row is *not* rejected. Rather, the LOB column is left empty (not null with a length of zero (0) bytes). However, when the LOBFILE is being used to load an XML column and there is an error loading this LOB data, then the XML column is left as null.

## Criteria for Rejected Records

A record can be rejected for the following reasons:

1. Upon insertion, the record causes an Oracle error (such as invalid data for a given datatype).
2. The record is formatted incorrectly so that SQL\*Loader cannot find field boundaries.
3. The record violates a constraint or tries to make a unique index non-unique.

If the data can be evaluated according to the `WHEN` clause criteria (even with unbalanced delimiters), then it is either inserted or rejected.

Neither a conventional path nor a direct path load will write a row to any table if it is rejected because of reason number 2 in the previous list.

A conventional path load will not write a row to any tables if reason number 1 or 3 in the previous list is violated for any one table. The row is rejected for that table and written to the reject file.

In a conventional path load, if the data file has a record that is being loaded into multiple tables and that record is rejected from at least one of the tables, then that record is not loaded into any of the tables.

The log file indicates the Oracle error for each rejected record. Case study 4 demonstrates rejected records. (See [SQL\\*Loader Case Studies](#) on page 6-12 for information on how to access case studies.)

## Specifying the Discard File

During execution, SQL\*Loader can create a discard file for records that do not meet any of the loading criteria. The records contained in this file are called discarded records. Discarded records do not satisfy any of the `WHEN` clauses specified in the control file. These records differ from rejected records. *Discarded records do not necessarily have any bad data.* No insert is attempted on a discarded record.

A discard file is created according to the following rules:

- You have specified a discard filename and one or more records fail to satisfy all of the `WHEN` clauses specified in the control file. (If the discard file is created, it overwrites any existing file with the same name, so be sure that you do not overwrite any files you wish to retain.)
- If no records are discarded, then a discard file is not created.

To create a discard file from within a control file, specify any of the following: `DISCARDFILE filename`, `DISCARDS`, or `DISCARDMAX`.

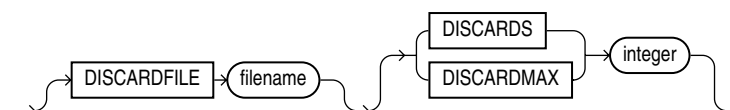
To create a discard file from the command line, specify either `DISCARD` or `DISCARDMAX`.

You can specify the discard file directly by specifying its name, or indirectly by specifying the maximum number of discards.

The discard file is created in the same record and file format as the datafile. For datafiles in stream record format, the same record terminator that is found in the datafile is also used in the discard file.

## Specifying the Discard File in the Control File

To specify the name of the file, use the `DISCARDFILE` clause, followed by the filename.



The `DISCARDFILE` clause specifies that a discard filename follows.

The `filename` parameter specifies a valid filename specification for your platform. Any spaces or punctuation marks in the filename must be enclosed in single quotation marks.

The default filename is the name of the datafile, and the default file extension or file type is `.dsc`. A discard filename specified on the command line overrides one specified in the control file. If a discard file with that name already exists, it is either overwritten or a new version is created, depending on your operating system.

## Specifying the Discard File from the Command Line

See [DISCARD \(filename\)](#) on page 7-4 for information about how to specify a discard file from the command line.

A filename specified on the command line overrides any discard file that you may have specified in the control file.

## Examples of Specifying a Discard File Name

The following list shows different ways you can specify a name for the discard file from within the control file:

- To specify a discard file with filename `circular` and default file extension or file type of `.dsc`:

```
DISCARDFILE circular
```

- To specify a discard file named `notappl` with the file extension or file type of `.may`:

```
DISCARDFILE notappl.may
```

- To specify a full path to the discard file `forget.me`:

```
DISCARDFILE '/discard_dir/forget.me'
```

## Criteria for Discarded Records

If there is no `INTO TABLE` clause specified for a record, the record is discarded. This situation occurs when every `INTO TABLE` clause in the `SQL*Loader` control file has a `WHEN` clause and, either the record fails to match any of them, or all fields are null.

No records are discarded if an `INTO TABLE` clause is specified without a `WHEN` clause. An attempt is made to insert every record into such a table. Therefore, records may be rejected, but none are discarded.

Case study 7, *Extracting Data from a Formatted Report*, provides an example of using a discard file. (See [SQL\\*Loader Case Studies](#) on page 6-12 for information on how to access case studies.)

## How Discard Files Are Handled with LOBFILES and SDFs

Data from `LOBFILES` and `SDFs` is not written to a discard file when there are discarded rows.

## Limiting the Number of Discarded Records

You can limit the number of records to be discarded for each datafile by specifying an *integer* for either the `DISCARDS` or `DISCARDMAX` keyword.

When the discard limit is reached, processing of the datafile terminates and continues with the next datafile, if one exists.

You can specify a different number of discards for each datafile. Or, if you specify the number of discards only once, then the maximum number of discards specified applies to all files.

If you specify a maximum number of discards, but no discard filename, SQL\*Loader creates a discard file with the default filename and file extension or file type.

## Handling Different Character Encoding Schemes

SQL\*Loader supports different character encoding schemes (called character sets, or code pages). SQL\*Loader uses features of Oracle's globalization support technology to handle the various single-byte and multibyte character encoding schemes available today.

**See Also:** *Oracle Database Globalization Support Guide*

The following sections provide a brief introduction to some of the supported character encoding schemes.

### Multibyte (Asian) Character Sets

Multibyte character sets support Asian languages. Data can be loaded in multibyte format, and database object names (fields, tables, and so on) can be specified with multibyte characters. In the control file, comments and object names can also use multibyte characters.

### Unicode Character Sets

SQL\*Loader supports loading data that is in a Unicode character set.

Unicode is a universal encoded character set that supports storage of information from most languages in a single character set. Unicode provides a unique code value for every character, regardless of the platform, program, or language. There are two different encodings for Unicode, UTF-16 and UTF-8.

---

---

**Note:** In this manual, you will see the terms UTF-16 and UTF16 both used. The term UTF-16 is a general reference to UTF-16 encoding for Unicode. The term UTF16 (no hyphen) is the specific name of the character set and is what you should specify for the CHARACTERSET parameter when you want to use UTF-16 encoding. This also applies to UTF-8 and UTF8.

---

---

The UTF-16 Unicode encoding is a fixed-width multibyte encoding in which the character codes 0x0000 through 0x007F have the same meaning as the single-byte ASCII codes 0x00 through 0x7F.

The UTF-8 Unicode encoding is a variable-width multibyte encoding in which the character codes 0x00 through 0x7F have the same meaning as ASCII. A character in UTF-8 can be 1 byte, 2 bytes, or 3 bytes long.

**See Also:**

- Case study 11, Loading Data in the Unicode Character Set (see [SQL\\*Loader Case Studies](#) on page 6-12 for information on how to access case studies)
- *Oracle Database Globalization Support Guide* for more information about Unicode encoding

## Database Character Sets

The Oracle database uses the database character set for data stored in SQL CHAR datatypes (CHAR, VARCHAR2, CLOB, and LONG), for identifiers such as table names, and for SQL statements and PL/SQL source code. Only single-byte character sets and varying-width character sets that include either ASCII or EBCDIC characters are supported as database character sets. Multibyte fixed-width character sets (for example, AL16UTF16) are not supported as the database character set.

An alternative character set can be used in the database for data stored in SQL NCHAR datatypes (NCHAR, NVARCHAR, and NCLOB). This alternative character set is called the database national character set. Only Unicode character sets are supported as the database national character set.

## Datafile Character Sets

By default, the datafile is in the character set defined by the NLS\_LANG parameter. The datafile character sets supported with NLS\_LANG are the same as those supported as database character sets. SQL\*Loader supports all Oracle-supported character sets in the datafile (even those not supported as database character sets).

For example, SQL\*Loader supports multibyte fixed-width character sets (such as AL16UTF16 and JA16EUCFIXED) in the datafile. SQL\*Loader also supports UTF-16 encoding with little-endian byte ordering. However, the Oracle database supports only UTF-16 encoding with big-endian byte ordering (AL16UTF16) and only as a database national character set, not as a database character set.

The character set of the datafile can be set up by using the NLS\_LANG parameter or by specifying a SQL\*Loader CHARACTERSET parameter.

## Input Character Conversion

The default character set for all datafiles, if the CHARACTERSET parameter is not specified, is the session character set defined by the NLS\_LANG parameter. The character set used in input datafiles can be specified with the CHARACTERSET parameter.

SQL\*Loader has the capacity to automatically convert data from the datafile character set to the database character set or the database national character set, when they differ.

When data character set conversion is required, the target character set should be a superset of the source datafile character set. Otherwise, characters that have no equivalent in the target character set are converted to replacement characters, often a default character such as a question mark (?). This causes loss of data.

The sizes of the database character types CHAR and VARCHAR2 can be specified in bytes (byte-length semantics) or in characters (character-length semantics). If they are specified in bytes, and data character set conversion is required, the converted values may take more bytes than the source values if the target character set uses more bytes

than the source character set for any character that is converted. This will result in the following error message being reported if the larger target value exceeds the size of the database column:

```
ORA-01401: inserted value too large for column
```

You can avoid this problem by specifying the database column size in characters and also by using character sizes in the control file to describe the data. Another way to avoid this problem is to ensure that the maximum column size is large enough, in bytes, to hold the converted value.

**See Also:**

- *Oracle Database Concepts* for more information about character-length semantics in the database
- [Character-Length Semantics](#) on page 8-17
- *Oracle Database Globalization Support Guide*

### Considerations When Loading Data into VARRAYs or Primary-Key-Based REFS

If you use SQL\*Loader conventional path or the Oracle Call Interface (OCI) to load data into VARRAYs or into primary-key-based REFS, and the data being loaded is in a different character set than the database character set, problems such as the following might occur:

- Rows might be rejected for the reason that a field is too large for the database column, but in reality the field is not too large.
- A load might be abnormally terminated without any rows being loaded, when only the field that really was too large should have been rejected.
- Rows might be reported as loaded correctly, but the primary-key-based REF columns are returned as blank when they are selected with SQL\*Plus.

To avoid these problems, set the client character set (using the NLS\_LANG environment variable) to the database character set before you load the data.

### CHARACTERSET Parameter

Specifying the CHARACTERSET parameter tells SQL\*Loader the character set of the input datafile. The default character set for all datafiles, if the CHARACTERSET parameter is not specified, is the session character set defined by the NLS\_LANG parameter. Only character data (fields in the SQL\*Loader datatypes CHAR, VARCHAR, VARCHARC, numeric EXTERNAL, and the datetime and interval datatypes) is affected by the character set of the datafile.

The CHARACTERSET syntax is as follows:

```
CHARACTERSET char_set_name
```

The *char\_set\_name* variable specifies the character set name. Normally, the specified name must be the name of an Oracle-supported character set.

For UTF-16 Unicode encoding, use the name UTF16 rather than AL16UTF16. AL16UTF16, which is the supported Oracle character set name for UTF-16 encoded data, is only for UTF-16 data that is in big-endian byte order. However, because you are allowed to set up data using the byte order of the system where you create the datafile, the data in the datafile can be either big endian or little endian. Therefore, a different character set name (UTF16) is used. The character set name AL16UTF16 is

also supported. But if you specify AL16UTF16 for a datafile that has little-endian byte order, SQL\*Loader issues a warning message and processes the datafile as big endian.

The CHARACTERSET parameter can be specified for primary datafiles as well as LOBFILES and SDFs. All primary datafiles are assumed to be in the same character set. A CHARACTERSET parameter specified before the INFILE parameter applies to the entire list of primary datafiles. If the CHARACTERSET parameter is specified for primary datafiles, the specified value will also be used as the default for LOBFILES and SDFs. This default setting can be overridden by specifying the CHARACTERSET parameter with the LOBFILE or SDF specification.

The character set specified with the CHARACTERSET parameter does not apply to data in the control file (specified with INFILE). To load data in a character set other than the one specified for your session by the NLS\_LANG parameter, you must place the data in a separate datafile.

#### See Also:

- [Byte Ordering](#) on page 9-29
- *Oracle Database Globalization Support Guide* for more information about the names of the supported character sets
- [Control File Character Set](#) on page 8-16
- Case study 11, Loading Data in the Unicode Character Set, for an example of loading a datafile that contains little-endian UTF-16 encoded data. (See [SQL\\*Loader Case Studies](#) on page 6-12 for information on how to access case studies.)

### Control File Character Set

The SQL\*Loader control file itself is assumed to be in the character set specified for your session by the NLS\_LANG parameter. If the control file character set is different from the datafile character set, keep the following issue in mind. Delimiters and comparison clause values specified in the SQL\*Loader control file as character strings are converted from the control file character set to the datafile character set before any comparisons are made. To ensure that the specifications are correct, you may prefer to specify hexadecimal strings, rather than character string values.

If hexadecimal strings are used with a datafile in the UTF-16 Unicode encoding, the byte order is different on a big-endian versus a little-endian system. For example, "," (comma) in UTF-16 on a big-endian system is X'002c'. On a little-endian system it is X'2c00'. SQL\*Loader requires that you always specify hexadecimal strings in big-endian format. If necessary, SQL\*Loader swaps the bytes before making comparisons. This allows the same syntax to be used in the control file on both a big-endian and a little-endian system.

Record terminators for datafiles that are in stream format in the UTF-16 Unicode encoding default to "\n" in UTF-16 (that is, 0x000A on a big-endian system and 0x0A00 on a little-endian system). You can override these default settings by using the "STR 'char\_str'" or the "STR x'hex\_str'" specification on the INFILE line. For example, you could use either of the following to specify that 'ab' is to be used as the record terminator, instead of '\n'.

```
INFILE myfile.dat "STR 'ab'"
```

```
INFILE myfile.dat "STR x'00410042'"
```

Any data included after the BEGINDATA statement is also assumed to be in the character set specified for your session by the NLS\_LANG parameter.

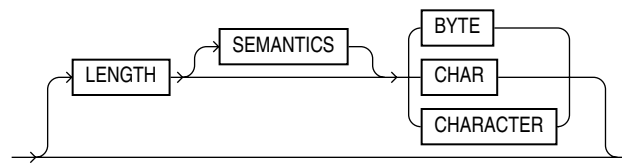


For the SQL\*Loader datatypes (`CHAR`, `VARCHAR`, `VARCHARC`, `DATE`, and `EXTERNAL` numerics), SQL\*Loader supports lengths of character fields that are specified in either bytes (byte-length semantics) or characters (character-length semantics). For example, the specification `CHAR(10)` in the control file can mean 10 bytes or 10 characters. These are equivalent if the datafile uses a single-byte character set. However, they are often different if the datafile uses a multibyte character set.

To avoid insertion errors caused by expansion of character strings during character set conversion, use character-length semantics in both the datafile and the target database columns.

### Character-Length Semantics

Byte-length semantics are the default for all datafiles except those that use the UTF16 character set (which uses character-length semantics by default). To override the default you can specify `CHAR` or `CHARACTER`, as shown in the following syntax:



The `LENGTH` parameter is placed after the `CHARACTERSET` parameter in the SQL\*Loader control file. The `LENGTH` parameter applies to the syntax specification for primary datafiles as well as to LOBFILES and secondary datafiles (SDFs). A `LENGTH` specification before the `INFILE` parameters applies to the entire list of primary datafiles. The `LENGTH` specification specified for the primary datafile is used as the default for LOBFILES and SDFs. You can override that default by specifying `LENGTH` with the LOBFILE or SDF specification. Unlike the `CHARACTERSET` parameter, the `LENGTH` parameter can also apply to data contained within the control file itself (that is, `INFILE *` syntax).

You can specify `CHARACTER` instead of `CHAR` for the `LENGTH` parameter.

If character-length semantics are being used for a SQL\*Loader datafile, then the following SQL\*Loader datatypes will use character-length semantics:

- `CHAR`
- `VARCHAR`
- `VARCHARC`
- `DATE`
- `EXTERNAL` numerics (`INTEGER`, `FLOAT`, `DECIMAL`, and `ZONED`)

For the `VARCHAR` datatype, the length subfield is still a binary `SMALLINT` length subfield, but its value indicates the length of the character string in characters.

The following datatypes use byte-length semantics even if character-length semantics are being used for the datafile, because the data is binary, or is in a special binary-encoded form in the case of `ZONED` and `DECIMAL`:

- `INTEGER`
- `SMALLINT`
- `FLOAT`
- `DOUBLE`

- BYTEINT
- ZONED
- DECIMAL
- RAW
- VARRAW
- VARRAWC
- GRAPHIC
- GRAPHIC EXTERNAL
- VARGRAPHIC

The start and end arguments to the `POSITION` parameter are interpreted in bytes, even if character-length semantics are in use in a datafile. This is necessary to handle datafiles that have a mix of data of different datatypes, some of which use character-length semantics, and some of which use byte-length semantics. It is also needed to handle position with the `VARCHAR` datatype, which has a `SMALLINT` length field and then the character data. The `SMALLINT` length field takes up a certain number of bytes depending on the system (usually 2 bytes), but its value indicates the length of the character string in characters.

Character-length semantics in the datafile can be used independent of whether or not character-length semantics are used for the database columns. Therefore, the datafile and the database columns can use either the same or different length semantics.

## Shift-sensitive Character Data

In general, loading shift-sensitive character data can be much slower than loading simple ASCII or EBCDIC data. The fastest way to load shift-sensitive character data is to use fixed-position fields without delimiters. To improve performance, remember the following points:

- The field data must have an equal number of shift-out/shift-in bytes.
- The field must start and end in single-byte mode.
- It is acceptable for the first byte to be shift-out and the last byte to be shift-in.
- The first and last characters cannot be multibyte.
- If blanks are not preserved and multibyte-blank-checking is required, a slower path is used. This can happen when the shift-in byte is the last byte of a field after single-byte blank stripping is performed.

## Interrupted Loads

Loads are interrupted and discontinued for a number of reasons. A primary reason is space errors, in which SQL\*Loader runs out of space for data rows or index entries. A load might also be discontinued because the maximum number of errors was exceeded, an unexpected error was returned to SQL\*Loader from the server, a record was too long in the datafile, or a Ctrl+C was executed.

The behavior of SQL\*Loader when a load is discontinued varies depending on whether it is a conventional path load or a direct path load, and on the reason the load was interrupted. Additionally, when an interrupted load is continued, the use and value of the `SKIP` parameter can vary depending on the particular case. The following sections explain the possible scenarios.

**See Also:** [SKIP \(records to skip\)](#) on page 7-10

## Discontinued Conventional Path Loads

In a conventional path load, data is committed after all data in the bind array is loaded into all tables. If the load is discontinued, only the rows that were processed up to the time of the last commit operation are loaded. There is no partial commit of data.

## Discontinued Direct Path Loads

In a direct path load, the behavior of a discontinued load varies depending on the reason the load was discontinued:

- [Load Discontinued Because of Space Errors](#)
- [Load Discontinued Because Maximum Number of Errors Exceeded](#)
- [Load Discontinued Because of Fatal Errors](#)
- [Load Discontinued Because a Ctrl+C Was Issued](#)

### Load Discontinued Because of Space Errors

If a load is discontinued because of space errors, the behavior of SQL\*Loader depends on whether or not you are loading data into multiple subpartitions.

- **Space errors when loading data into multiple subpartitions (that is, loading into a partitioned table, a composite partitioned table, or one partition of a composite partitioned table):**

If space errors occur when loading into multiple subpartitions, the load is discontinued and no data is saved unless `ROWS` has been specified (in which case, all data that was previously committed will be saved). The reason for this behavior is that it is possible rows might be loaded out of order. This is because each row is assigned (not necessarily in order) to a partition and each partition is loaded separately. If the load discontinues before all rows assigned to partitions are loaded, the row for record "n" may have been loaded, but not the row for record "n-1". Therefore, the load cannot be continued by simply using `SKIP=N`.

- **Space errors when loading data into an unpartitioned table, one partition of a partitioned table, or one subpartition of a composite partitioned table:**

If there is one `INTO TABLE` statement in the control file, SQL\*Loader commits as many rows as were loaded before the error occurred.

If there are multiple `INTO TABLE` statements in the control file, SQL\*Loader loads data already read from the datafile into other tables and then commits the data.

In either case, this behavior is independent of whether or not the `ROWS` parameter was specified. When you continue the load, you can use the `SKIP` parameter to skip rows that have already been loaded. In the case of multiple `INTO TABLE` statements, a different number of rows could have been loaded into each table, so to continue the load you would need to specify a different value for the `SKIP` parameter for every table. SQL\*Loader only reports the value for the `SKIP` parameter if it is the same for all tables.

### Load Discontinued Because Maximum Number of Errors Exceeded

If the maximum number of errors is exceeded, SQL\*Loader stops loading records into any table and the work done to that point is committed. This means that when you continue the load, the value you specify for the `SKIP` parameter may be different for

different tables. SQL\*Loader reports the value for the `SKIP` parameter only if it is the same for all tables.

### Load Discontinued Because of Fatal Errors

If a fatal error is encountered, the load is stopped and no data is saved unless `ROWS` was specified at the beginning of the load. In that case, all data that was previously committed is saved. SQL\*Loader reports the value for the `SKIP` parameter only if it is the same for all tables.

### Load Discontinued Because a Ctrl+C Was Issued

If SQL\*Loader is in the middle of saving data when a Ctrl+C is issued, it continues to do the save and then stops the load after the save completes. Otherwise, SQL\*Loader stops the load without committing any work that was not committed already. This means that the value of the `SKIP` parameter will be the same for all tables.

## Status of Tables and Indexes After an Interrupted Load

When a load is discontinued, any data already loaded remains in the tables, and the tables are left in a valid state. If the conventional path is used, all indexes are left in a valid state.

If the direct path load method is used, any indexes on the table are left in an unusable state. You can either rebuild or re-create the indexes before continuing, or after the load is restarted and completes.

Other indexes are valid if no other errors occurred. See [Indexes Left in an Unusable State](#) on page 11-9 for other reasons why an index might be left in an unusable state.

## Using the Log File to Determine Load Status

The SQL\*Loader log file tells you the state of the tables and indexes and the number of logical records already read from the input datafile. Use this information to resume the load where it left off.

## Continuing Single-Table Loads

When SQL\*Loader must discontinue a direct path or conventional path load before it is finished, some rows have probably already been committed or marked with savepoints. To continue the discontinued load, use the `SKIP` parameter to specify the number of logical records that have already been processed by the previous load. At the time the load is discontinued, the value for `SKIP` is written to the log file in a message similar to the following:

```
Specify SKIP=1001 when continuing the load.
```

This message specifying the value of the `SKIP` parameter is preceded by a message indicating why the load was discontinued.

Note that for multiple-table loads, the value of the `SKIP` parameter is displayed only if it is the same for all tables.

**See Also:** [SKIP \(records to skip\)](#) on page 7-10

## Assembling Logical Records from Physical Records

As of Oracle9i, user-defined record sizes larger than 64 KB are supported (see [READSIZE \(read buffer size\)](#) on page 7-8). This reduces the need to break up logical records into multiple physical records. However, there may still be situations in which you may want to do so. At some point, when you want to combine those multiple physical records back into one logical record, you can use one of the following clauses, depending on your data:

- `CONCATENATE`
- `CONTINUEIF`

### Using `CONCATENATE` to Assemble Logical Records

Use `CONCATENATE` when you want SQL\*Loader to always combine the same number of physical records to form one logical record. In the following example, *integer* specifies the number of physical records to combine.

```
CONCATENATE integer
```

The *integer* value specified for `CONCATENATE` determines the number of physical record structures that SQL\*Loader allocates for each row in the column array. In direct path loads, the default value for `COLUMNARRAYROWS` is large, so if you also specify a large value for `CONCATENATE`, then excessive memory allocation can occur. If this happens, you can improve performance by reducing the value of the `COLUMNARRAYROWS` parameter to lower the number of rows in a column array.

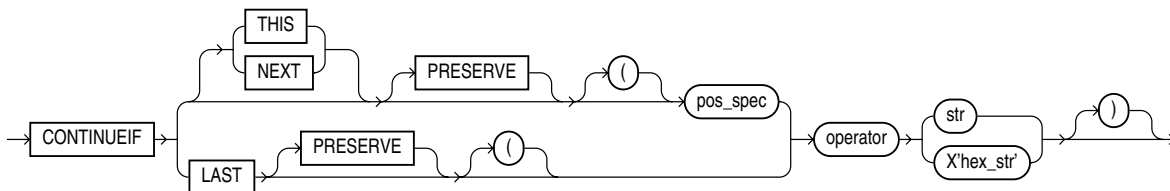
#### See Also:

- [COLUMNARRAYROWS](#) on page 7-3
- [Specifying the Number of Column Array Rows and Size of Stream Buffers](#) on page 11-15

### Using `CONTINUEIF` to Assemble Logical Records

Use `CONTINUEIF` if the number of physical records to be combined varies. The `CONTINUEIF` clause is followed by a condition that is evaluated for each physical record, as it is read. For example, two records might be combined if a pound sign (#) were in byte position 80 of the first record. If any other character were there, the second record would not be added to the first.

The full syntax for `CONTINUEIF` adds even more flexibility:



[Table 8-2](#) describes the parameters for the `CONTINUEIF` clause.

**Table 8–2 Parameters for the CONTINUEIF Clause**

Parameter	Description
THIS	If the condition is true in the current record, then the next physical record is read and concatenated to the current physical record, continuing until the condition is false. If the condition is false, then the current physical record becomes the last physical record of the current logical record. THIS is the default.
NEXT	If the condition is true in the next record, then the current physical record is concatenated to the current logical record, continuing until the condition is false.
<i>operator</i>	The supported operators are equal (=) and not equal (!= or <>).  For the equal operator, the field and comparison string must match exactly for the condition to be true. For the not equal operator, they may differ in any character.
LAST	This test is similar to THIS, but the test is always against the last nonblank character. If the last nonblank character in the current physical record meets the test, then the next physical record is read and concatenated to the current physical record, continuing until the condition is false. If the condition is false in the current record, then the current physical record is the last physical record of the current logical record.  LAST allows only a single character-continuation field (as opposed to THIS and NEXT, which allow multiple character-continuation fields).
<i>pos_spec</i>	Specifies the starting and ending column numbers in the physical record.  Column numbers start with 1. Either a hyphen or a colon is acceptable ( <i>start-end</i> or <i>start:end</i> ).  If you omit end, the length of the continuation field is the length of the byte string or character string. If you use end, and the length of the resulting continuation field is not the same as that of the byte string or the character string, the shorter one is padded. Character strings are padded with blanks, hexadecimal strings with zeros.
<i>str</i>	A string of characters to be compared to the continuation field defined by start and end, according to the operator. The string must be enclosed in double or single quotation marks. The comparison is made character by character, blank padding on the right if necessary.
<i>X'hex-str'</i>	A string of bytes in hexadecimal format used in the same way as <i>str</i> . <i>X'1FB033'</i> would represent the three bytes with values 1F, B0, and 33 (hexadecimal).
PRESERVE	Includes ' <i>char_string</i> ' or ' <i>Xhex_string</i> ' in the logical record. The default is to exclude them.

The positions in the CONTINUEIF clause refer to positions in each physical record. This is the only time you refer to positions in physical records. All other references are to logical records.

For CONTINUEIF THIS and CONTINUEIF LAST, if the PRESERVE parameter is not specified, the continuation field is removed from all physical records when the logical record is assembled. That is, data values are allowed to span the records with no extra characters (continuation characters) in the middle. For example, if CONTINUEIF THIS (3:5) = '\*\*\*' is specified, then positions 3 through 5 are removed from all

records. This means that the continuation characters are removed if they are in positions 3 through 5 of the record. It also means that the characters in positions 3 through 5 are removed from the record even if the continuation characters are not in positions 3 through 5.

For `CONTINUEIF THIS` and `CONTINUEIF LAST`, if the `PRESERVE` parameter is used, the continuation field is kept in all physical records when the logical record is assembled.

`CONTINUEIF LAST` differs from `CONTINUEIF THIS` and `CONTINUEIF NEXT`. For `CONTINUEIF LAST`, where the positions of the continuation field vary from record to record, the continuation field is never removed, even if `PRESERVE` is not specified.

[Example 8-3](#) through [Example 8-6](#) show the use of `CONTINUEIF THIS` and `CONTINUEIF NEXT`, with and without the `PRESERVE` parameter.

### **Example 8-3 `CONTINUEIF THIS` Without the `PRESERVE` Parameter**

Assume that you have physical records 14 bytes long and that a period represents a space:

```
%%aaaaaaaa...
%%bbbbbbbb...
..ccccccc...
%dddddddddd..
%eeeeeeeeee..
..fffffffffff..
```

In this example, the `CONTINUEIF THIS` clause does not use the `PRESERVE` parameter:

```
CONTINUEIF THIS (1:2) = '%%'
```

Therefore, the logical records are assembled as follows:

```
aaaaaaaa...bbbbbbbb...ccccccc...
dddddddddd..eeeeeeeeee..fffffffffff..
```

Note that columns 1 and 2 (for example, `%%` in physical record 1) are removed from the physical records when the logical records are assembled.

### **Example 8-4 `CONTINUEIF THIS` with the `PRESERVE` Parameter**

Assume that you have the same physical records as in [Example 8-3](#).

In this example, the `CONTINUEIF THIS` clause uses the `PRESERVE` parameter:

```
CONTINUEIF THIS PRESERVE (1:2) = '%%'
```

Therefore, the logical records are assembled as follows:

```
%%aaaaaaaa...%%bbbbbbbb...ccccccc...
%dddddddddd..%eeeeeeeeee...fffffffffff..
```

Note that columns 1 and 2 are not removed from the physical records when the logical records are assembled.

### **Example 8-5 `CONTINUEIF NEXT` Without the `PRESERVE` Parameter**

Assume that you have physical records 14 bytes long and that a period represents a space:

```
..aaaaaaaa...
```

```

%%bbbbbbb...
%ccccccc...
..ddddddd..
%eeeeeeee..
%fffffffff..

```

In this example, the `CONTINUEIF NEXT` clause does not use the `PRESERVE` parameter:

```
CONTINUEIF NEXT (1:2) = '%%'
```

Therefore, the logical records are assembled as follows (the same results as for [Example 8-3](#)).

```

aaaaaaaa...bbbbbbb...ccccccc...
ddddddd...eeeeeeee...fffffffff..

```

#### **Example 8-6** *CONTINUEIF NEXT with the PRESERVE Parameter*

Assume that you have the same physical records as in [Example 8-5](#).

In this example, the `CONTINUEIF NEXT` clause uses the `PRESERVE` parameter:

```
CONTINUEIF NEXT PRESERVE (1:2) = '%%'
```

Therefore, the logical records are assembled as follows:

```

..aaaaaaaa...%%bbbbbbb...%ccccccc...
..ddddddd...%eeeeeeee...%fffffffff..

```

**See Also:** Case study 4, Loading Combined Physical Records, for an example of the `CONTINUEIF` clause. (See [SQL\\*Loader Case Studies](#) on page 6-12 for information on how to access case studies.)

## Loading Logical Records into Tables

This section describes the way in which you specify:

- Which tables you want to load
- Which records you want to load into them
- Default data delimiters for those records
- How to handle short records with missing data

## Specifying Table Names

The `INTO TABLE` clause of the `LOAD DATA` statement enables you to identify tables, fields, and datatypes. It defines the relationship between records in the datafile and tables in the database. The specification of fields and datatypes is described in later sections.

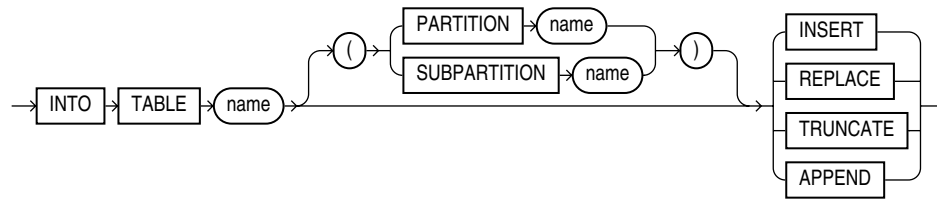
### **INTO TABLE Clause**

Among its many functions, the `INTO TABLE` clause enables you to specify the table into which you load data. To load multiple tables, you include one `INTO TABLE` clause for each table you wish to load.

To begin an `INTO TABLE` clause, use the keywords `INTO TABLE`, followed by the name of the Oracle table that is to receive the data.

The syntax is as follows:





The table must already exist. The table name should be enclosed in double quotation marks if it is the same as any SQL or SQL\*Loader reserved keyword, if it contains any special characters, or if it is case sensitive.

```

INTO TABLE scott."CONSTANT"
INTO TABLE scott."Constant"
INTO TABLE scott."-CONSTANT"
  
```

The user must have `INSERT` privileges for the table being loaded. If the table is not in the user's schema, then the user must either use a synonym to reference the table or include the schema name as part of the table name (for example, `scott.emp` refers to the table `emp` in the `scott` schema).

---

**Note:** SQL\*Loader considers the default schema to be whatever schema is current after your connect to the database finishes executing. This means that the default schema will not necessarily be the one you specified in the connect string, if there are logon triggers present that get executed during connection to a database.

If you have a logon trigger that changes your current schema to a different one when you connect to a certain database, then SQL\*Loader uses that new schema as the default.

---

## Table-Specific Loading Method

When you are loading a table, you can use the `INTO TABLE` clause to specify a table-specific loading method (`INSERT`, `APPEND`, `REPLACE`, or `TRUNCATE`) that applies only to that table. That method overrides the global table-loading method. The global table-loading method is `INSERT`, by default, unless a different method was specified before any `INTO TABLE` clauses. The following sections discuss using these options to load data into empty and nonempty tables.

### Loading Data into Empty Tables

If the tables you are loading into are empty, use the `INSERT` option.

**INSERT** This is SQL\*Loader's default method. It requires the table to be empty before loading. SQL\*Loader terminates with an error if the table contains rows. Case study 1, Loading Variable-Length Data, provides an example. (See [SQL\\*Loader Case Studies](#) on page 6-12 for information on how to access case studies.)

### Loading Data into Nonempty Tables

If the tables you are loading into already contain data, you have three options:

- `APPEND`
- `REPLACE`
- `TRUNCATE`

---

---

**Caution:** When `REPLACE` or `TRUNCATE` is specified, the entire *table* is replaced, not just individual rows. After the rows are successfully deleted, a `COMMIT` statement is issued. You cannot recover the data that was in the table before the load, unless it was saved with Export or a comparable utility.

---

---

**APPEND** If data already exists in the table, `SQL*Loader` appends the new rows to it. If data does not already exist, the new rows are simply loaded. You must have `SELECT` privilege to use the `APPEND` option. Case study 3, Loading a Delimited Free-Format File, provides an example. (See [SQL\\*Loader Case Studies](#) on page 6-12 for information on how to access case studies.)

**REPLACE** The `REPLACE` option executes a `SQL DELETE FROM TABLE` statement. All rows in the table are deleted and the new data is loaded. The table must be in your schema, or you must have `DELETE` privilege on the table. Case study 4, Loading Combined Physical Records, provides an example. (See [SQL\\*Loader Case Studies](#) on page 6-12 for information on how to access case studies.)

The row deletes cause any delete triggers defined on the table to fire. If `DELETE CASCADE` has been specified for the table, then the cascaded deletes are carried out. For more information about cascaded deletes, see the information about data integrity in *Oracle Database Concepts*.

---

---

**Note:** `SQL*Loader REPLACE` reuses a table's extents, as opposed to the `SQL TRUNCATE` statement which does not reuse them.

---

---

**Updating Existing Rows** The `REPLACE` method is a *table* replacement, not a replacement of individual rows. `SQL*Loader` does not update existing records, even if they have null columns. To update existing rows, use the following procedure:

1. Load your data into a work table.
2. Use the `SQL UPDATE` statement with correlated subqueries.
3. Drop the work table.

**TRUNCATE** The `TRUNCATE` option executes a `SQL TRUNCATE TABLE` statement. This quickly and efficiently deletes all rows from a table or cluster, to achieve the best possible performance. For the `TRUNCATE` statement to operate, the table's referential integrity constraints must first be disabled. If they have not been disabled, `SQL*Loader` returns an error.

Once the integrity constraints have been disabled, `DELETE CASCADE` is no longer defined for the table. If the `DELETE CASCADE` functionality is needed, then the contents of the table must be manually deleted before the load begins.

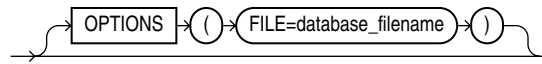
The table must be in your schema, or you must have the `DROP ANY TABLE` privilege.

**See Also:** *Oracle Database SQL Language Reference* for more information about the `SQL` statements discussed in this section

## Table-Specific `OPTIONS` Parameter

The `OPTIONS` parameter can be specified for individual tables in a parallel load. (It is valid only for a parallel load.)

The syntax for the `OPTIONS` parameter is as follows:

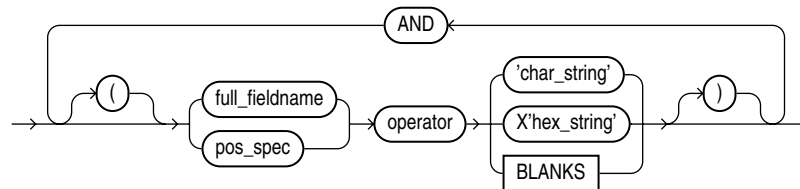


**See Also:** [Parameters for Parallel Direct Path Loads](#) on page 11-24

## Loading Records Based on a Condition

You can choose to load or discard a logical record by using the `WHEN` clause to test a condition in the record.

The `WHEN` clause appears after the table name and is followed by one or more field conditions. The syntax for `field_condition` is as follows:



For example, the following clause indicates that any record with the value "q" in the fifth column position should be loaded:

```
WHEN (5) = 'q'
```

A `WHEN` clause can contain several comparisons, provided each is preceded by `AND`. Parentheses are optional, but should be used for clarity with multiple comparisons joined by `AND`. For example:

```
WHEN (deptno = '10') AND (job = 'SALES')
```

### See Also:

- [Using the WHEN, NULLIF, and DEFAULTIF Clauses](#) on page 9-25 for information about how SQL\*Loader evaluates `WHEN` clauses, as opposed to `NULLIF` and `DEFAULTIF` clauses
- Case study 5, Loading Data into Multiple Tables, for an example of using the `WHEN` clause (see [SQL\\*Loader Case Studies](#) on page 6-12 for information on how to access case studies)

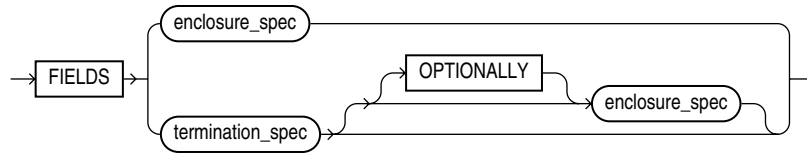
## Using the WHEN Clause with LOBFILES and SDFs

If a record with a LOBFILE or SDF is discarded, SQL\*Loader skips the corresponding data in that LOBFILE or SDF.

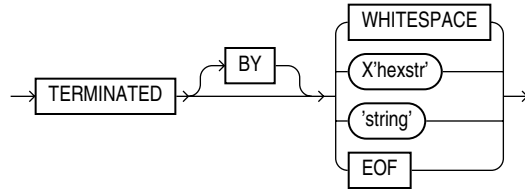
## Specifying Default Data Delimiters

If all data fields are terminated similarly in the datafile, you can use the `FIELDS` clause to indicate the default delimiters. The syntax for the `fields_spec`, `termination_spec`, and `enclosure_spec` clauses is as follows:

### fields\_spec



### termination\_spec

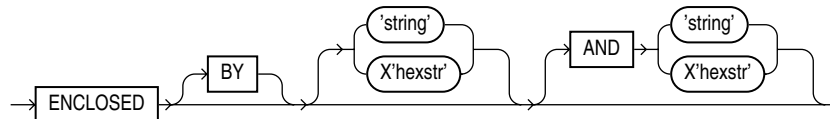



---

**Note:** Terminator strings can contain one or more characters. Also, `TERMINATED BY EOF` applies only to loading LOBs from a LOBFILE.

---

### enclosure\_spec




---

**Note:** Enclosure strings can contain one or more characters.

---

You can override the delimiter for any given column by specifying it after the column name. Case study 3, Loading a Delimited Free-Format File, provides an example. (See [SQL\\*Loader Case Studies](#) on page 6-12 for information on how to access case studies.)

**See Also:**

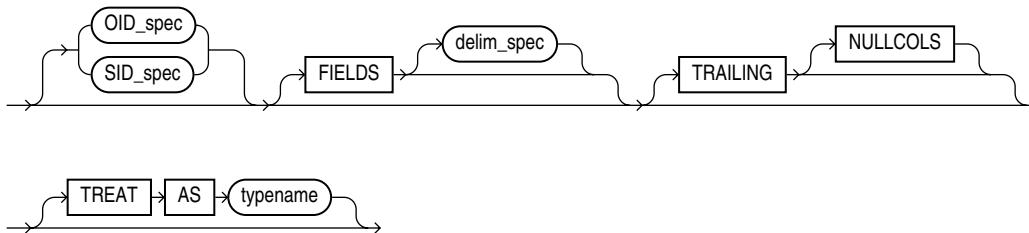
- [Specifying Delimiters](#) on page 9-19 for a complete description of the syntax
- [Loading LOB Data from LOBFILES](#) on page 10-17

## Handling Short Records with Missing Data

When the control file definition specifies more fields for a record than are present in the record, SQL\*Loader must determine whether the remaining (specified) columns should be considered null or whether an error should be generated.

If the control file definition explicitly states that a field's starting position is beyond the end of the logical record, then SQL\*Loader always defines the field as null. If a field is defined with a relative position (such as `dname` and `loc` in the following example), and the record ends before the field is found, then SQL\*Loader could either treat the field as null or generate an error. SQL\*Loader uses the presence or absence of the

TRAILING NULLCOLS clause (shown in the following syntax diagram) to determine the course of action.



### TRAILING NULLCOLS Clause

The TRAILING NULLCOLS clause tells SQL\*Loader to treat any relatively positioned columns that are not present in the record as null columns.

For example, consider the following data:

```
10 Accounting
```

Assume that the preceding data is read with the following control file and the record ends after `dname` :

```

INTO TABLE dept
  TRAILING NULLCOLS
( deptno CHAR TERMINATED BY " ",
  dname CHAR TERMINATED BY WHITESPACE,
  loc CHAR TERMINATED BY WHITESPACE
)

```

In this case, the remaining `loc` field is set to null. Without the TRAILING NULLCOLS clause, an error would be generated due to missing data.

**See Also:** Case study 7, Extracting Data from a Formatted Report, for an example of using TRAILING NULLCOLS (see [SQL\\*Loader Case Studies](#) on page 6-12 for information on how to access case studies)

## Index Options

This section describes the following SQL\*Loader options that control how index entries are created:

- SORTED INDEXES
- SINGLEROW

### SORTED INDEXES Clause

The SORTED INDEXES clause applies to direct path loads. It tells SQL\*Loader that the incoming data has already been sorted on the specified indexes, allowing SQL\*Loader to optimize performance.

**See Also:** [SORTED INDEXES Clause](#) on page 11-13

## SINGLEROW Option

The `SINGLEROW` option is intended for use during a direct path load with `APPEND` on systems with limited memory, or when loading a small number of records into a large table. This option inserts each index entry directly into the index, one record at a time.

By default, `SQL*Loader` does not use `SINGLEROW` to append records to a table. Instead, index entries are put into a separate, temporary storage area and merged with the original index at the end of the load. This method achieves better performance and produces an optimal index, but it requires extra storage space. During the merge operation, the original index, the new index, and the space for new entries all simultaneously occupy storage space.

With the `SINGLEROW` option, storage space is not required for new index entries or for a new index. The resulting index may not be as optimal as a freshly sorted one, but it takes less space to produce. It also takes more time because additional `UNDO` information is generated for each index insert. This option is suggested for use when either of the following situations exists:

- Available storage is limited.
- The number of records to be loaded is small compared to the size of the table (a ratio of 1:20 or less is recommended).

## Benefits of Using Multiple INTO TABLE Clauses

Multiple `INTO TABLE` clauses enable you to:

- Load data into different tables
- Extract multiple logical records from a single input record
- Distinguish different input record formats
- Distinguish different input row object subtypes

In the first case, it is common for the `INTO TABLE` clauses to refer to the same table. This section illustrates the different ways to use multiple `INTO TABLE` clauses and shows you how to use the `POSITION` parameter.

---

---

**Note:** A key point when using multiple `INTO TABLE` clauses is that *field scanning continues from where it left off* when a new `INTO TABLE` clause is processed. The remainder of this section details important ways to make use of that behavior. It also describes alternative ways of using fixed field locations or the `POSITION` parameter.

---

---

## Extracting Multiple Logical Records

Some data storage and transfer media have fixed-length physical records. When the data records are short, more than one can be stored in a single, physical record to use the storage space efficiently.

In this example, `SQL*Loader` treats a single physical record in the input file as two logical records and uses two `INTO TABLE` clauses to load the data into the `emp` table. For example, assume the data is as follows:

```
1119 Smith      1120 Yvonne
1121 Albert     1130 Thomas
```

The following control file extracts the logical records:

```
INTO TABLE emp
  (empno POSITION(1:4)  INTEGER EXTERNAL,
   ename POSITION(6:15) CHAR)
INTO TABLE emp
  (empno POSITION(17:20) INTEGER EXTERNAL,
   ename POSITION(21:30) CHAR)
```

### Relative Positioning Based on Delimiters

The same record could be loaded with a different specification. The following control file uses relative positioning instead of fixed positioning. It specifies that each field is delimited by a single blank (" ") or with an undetermined number of blanks and tabs (WHITESPACE):

```
INTO TABLE emp
  (empno INTEGER EXTERNAL TERMINATED BY " ",
   ename CHAR              TERMINATED BY WHITESPACE)
INTO TABLE emp
  (empno INTEGER EXTERNAL TERMINATED BY " ",
   ename CHAR              TERMINATED BY WHITESPACE)
```

The important point in this example is that the second empno field is found immediately after the first ename, although it is in a separate INTO TABLE clause. Field scanning does not start over from the beginning of the record for a new INTO TABLE clause. Instead, scanning continues where it left off.

To force record scanning to start in a specific location, you use the POSITION parameter. That mechanism is described in [Distinguishing Different Input Record Formats](#) on page 8-31 and in [Loading Data into Multiple Tables](#) on page 8-33.

## Distinguishing Different Input Record Formats

A single datafile might contain records in a variety of formats. Consider the following data, in which emp and dept records are intermixed:

```
1 50 Manufacturing      - DEPT record
2 1119 Smith           50   - EMP record
2 1120 Snyder          50
1 60 Shipping
2 1121 Stevens        60
```

A record ID field distinguishes between the two formats. Department records have a 1 in the first column, while employee records have a 2. The following control file uses exact positioning to load this data:

```
INTO TABLE dept
  WHEN recid = 1
  (recid FILLER POSITION(1:1)  INTEGER EXTERNAL,
   deptno POSITION(3:4)  INTEGER EXTERNAL,
   dname  POSITION(8:21) CHAR)
INTO TABLE emp
  WHEN recid <> 1
  (recid FILLER POSITION(1:1)  INTEGER EXTERNAL,
   empno POSITION(3:6)  INTEGER EXTERNAL,
   ename  POSITION(8:17)  CHAR,
   deptno POSITION(19:20) INTEGER EXTERNAL)
```

### Relative Positioning Based on the POSITION Parameter

The records in the previous example could also be loaded as delimited data. In this case, however, it is necessary to use the POSITION parameter. The following control file could be used:

```
INTO TABLE dept
  WHEN recid = 1
    (recid FILLER INTEGER EXTERNAL TERMINATED BY WHITESPACE,
     deptno INTEGER EXTERNAL TERMINATED BY WHITESPACE,
     dname CHAR TERMINATED BY WHITESPACE)
INTO TABLE emp
  WHEN recid <> 1
    (recid FILLER POSITION(1) INTEGER EXTERNAL TERMINATED BY ' ',
     empno INTEGER EXTERNAL TERMINATED BY ' '
     ename CHAR TERMINATED BY WHITESPACE,
     deptno INTEGER EXTERNAL TERMINATED BY ' ')
```

The POSITION parameter in the second INTO TABLE clause is necessary to load this data correctly. It causes field scanning to start over at column 1 when checking for data that matches the second format. Without it, SQL\*Loader would look for the recid field after dname.

### Distinguishing Different Input Row Object Subtypes

A single datafile may contain records made up of row objects inherited from the same base row object type. For example, consider the following simple object type and object table definitions, in which a nonfinal base object type is defined along with two object subtypes that inherit their row objects from the base type:

```
CREATE TYPE person_t AS OBJECT
  (name VARCHAR2(30),
   age NUMBER(3)) not final;

CREATE TYPE employee_t UNDER person_t
  (empid NUMBER(5),
   deptno NUMBER(4),
   dept VARCHAR2(30)) not final;

CREATE TYPE student_t UNDER person_t
  (stdid NUMBER(5),
   major VARCHAR2(20)) not final;

CREATE TABLE persons OF person_t;
```

The following input datafile contains a mixture of these row objects subtypes. A type ID field distinguishes between the three subtypes. person\_t objects have a P in the first column, employee\_t objects have an E, and student\_t objects have an S.

```
P,James,31,
P,Thomas,22,
E,Pat,38,93645,1122,Engineering,
P,Bill,19,
P,Scott,55,
S,Judy,45,27316,English,
S,Karen,34,80356,History,
E,Karen,61,90056,1323,Manufacturing,
S,Pat,29,98625,Spanish,
S,Cody,22,99743,Math,
P,Ted,43,
E,Judy,44,87616,1544,Accounting,
```



```
E,Bob,50,63421,1314,Shipping,
S,Bob,32,67420,Psychology,
E,Cody,33,25143,1002,Human Resources,
```

The following control file uses relative positioning based on the POSITION parameter to load this data. Note the use of the TREAT AS clause with a specific object type name. This informs SQL\*Loader that all input row objects for the object table will conform to the definition of the named object type.

---

**Note:** Multiple subtypes cannot be loaded with the same INTO TABLE statement. Instead, you must use multiple INTO TABLE statements and have each one load a different subtype.

---

```
INTO TABLE persons
REPLACE
WHEN typid = 'P' TREAT AS person_t
FIELDS TERMINATED BY ","
  (typid  FILLER  POSITION(1) CHAR,
   name   CHAR,
   age    CHAR)
```

```
INTO TABLE persons
REPLACE
WHEN typid = 'E' TREAT AS employee_t
FIELDS TERMINATED BY ","
  (typid  FILLER  POSITION(1) CHAR,
   name   CHAR,
   age    CHAR,
   empid  CHAR,
   deptno CHAR,
   dept   CHAR)
```

```
INTO TABLE persons
REPLACE
WHEN typid = 'S' TREAT AS student_t
FIELDS TERMINATED BY ","
  (typid  FILLER  POSITION(1) CHAR,
   name   CHAR,
   age    CHAR,
   stdid  CHAR,
   major  CHAR)
```

**See Also:** [Loading Column Objects](#) on page 10-1 for more information about loading object types

## Loading Data into Multiple Tables

By using the POSITION parameter with multiple INTO TABLE clauses, data from a single record can be loaded into multiple normalized tables. See case study 5, Loading Data into Multiple Tables, for an example. (See [SQL\\*Loader Case Studies](#) on page 6-12 for information about how to access case studies.)

## Summary

Multiple INTO TABLE clauses allow you to extract multiple logical records from a single input record and recognize different record formats in the same file.

For delimited data, proper use of the `POSITION` parameter is essential for achieving the expected results.

When the `POSITION` parameter is *not* used, multiple `INTO TABLE` clauses process different parts of the same (delimited data) input record, allowing multiple tables to be loaded from one record. When the `POSITION` parameter *is* used, multiple `INTO TABLE` clauses can process the same record in different ways, allowing multiple formats to be recognized in one input file.

## Bind Arrays and Conventional Path Loads

SQL\*Loader uses the SQL array-interface option to transfer data to the database. Multiple rows are read at one time and stored in the *bind array*. When SQL\*Loader sends the Oracle database an `INSERT` command, the entire array is inserted at one time. After the rows in the bind array are inserted, a `COMMIT` statement is issued.

The determination of bind array size pertains to SQL\*Loader's conventional path option. It does not apply to the direct path load method because a direct path load uses the direct path API, rather than Oracle's SQL interface.

**See Also:** *Oracle Call Interface Programmer's Guide* for more information about the concepts of direct path loading

### Size Requirements for Bind Arrays

The bind array must be large enough to contain a single row. If the maximum row length exceeds the size of the bind array, as specified by the `BINDSIZE` parameter, SQL\*Loader generates an error. Otherwise, the bind array contains as many rows as can fit within it, up to the limit set by the value of the `ROWS` parameter.

The `BINDSIZE` and `ROWS` parameters are described in [Command-Line Parameters](#) on page 7-2.

Although the entire bind array need not be in contiguous memory, the buffer for each field in the bind array must occupy contiguous memory. If the operating system cannot supply enough contiguous memory to store a field, SQL\*Loader generates an error.

### Performance Implications of Bind Arrays

Large bind arrays minimize the number of calls to the Oracle database and maximize performance. In general, you gain large improvements in performance with each increase in the bind array size up to 100 rows. Increasing the bind array size to be greater than 100 rows generally delivers more modest improvements in performance. The size (in bytes) of 100 rows is typically a good value to use.

In general, any reasonably large size permits SQL\*Loader to operate effectively. It is not usually necessary to perform the detailed calculations described in this section. Read this section when you need maximum performance or an explanation of memory usage.

### Specifying Number of Rows Versus Size of Bind Array

When you specify a bind array size using the command-line parameter `BINDSIZE` (see [BINDSIZE \(maximum size\)](#) on page 7-2) or the `OPTIONS` clause in the control file (see [OPTIONS Clause](#) on page 8-3), you impose an upper limit on the bind array. The bind array never exceeds that maximum.

As part of its initialization, SQL\*Loader determines the size in bytes required to load a single row. If that size is too large to fit within the specified maximum, the load terminates with an error.

SQL\*Loader then multiplies that size by the number of rows for the load, whether that value was specified with the command-line parameter `ROWS` (see [ROWS \(rows per commit\)](#) on page 7-9) or the `OPTIONS` clause in the control file (see [OPTIONS Clause](#) on page 8-3).

If that size fits within the bind array maximum, the load continues—SQL\*Loader does not try to expand the number of rows to reach the maximum bind array size. *If the number of rows and the maximum bind array size are both specified, SQL\*Loader always uses the smaller value for the bind array.*

If the maximum bind array size is too small to accommodate the initial number of rows, SQL\*Loader uses a smaller number of rows that fits within the maximum.

## Calculations to Determine Bind Array Size

The bind array's size is equivalent to the number of rows it contains times the maximum length of each row. The maximum length of a row is equal to the sum of the maximum field lengths, plus overhead, as follows:

```
bind array size =
  (number of rows) * ( SUM(fixed field lengths)
                      + SUM(maximum varying field lengths)
                      + ( (number of varying length fields)
                          * (size of length indicator) )
                      )
```

Many fields do not vary in size. These fixed-length fields are the same for each loaded row. For these fields, the maximum length of the field is the field size, in bytes, as described in [SQL\\*Loader Datatypes](#) on page 9-6. There is no overhead for these fields.

The fields that *can* vary in size from row to row are:

- CHAR
- DATE
- INTERVAL DAY TO SECOND
- INTERVAL DAY TO YEAR
- LONG VARRAW
- numeric EXTERNAL
- TIME
- TIMESTAMP
- TIME WITH TIME ZONE
- TIMESTAMP WITH TIME ZONE
- VARCHAR
- VARCHARC
- VARGRAPHIC
- VARRAW
- VARRAWC

The maximum length of these datatypes is described in [SQL\\*Loader Datatypes](#) on page 9-6. The maximum lengths describe the number of bytes that the fields can occupy in the input data record. That length also describes the amount of storage that each field occupies in the bind array, but the bind array includes additional overhead for fields that can vary in size.

When the character datatypes (CHAR, DATE, and numeric EXTERNAL) are specified with delimiters, any lengths specified for these fields are maximum lengths. When specified without delimiters, the size in the record is fixed, but the size of the inserted field may still vary, due to whitespace trimming. So internally, these datatypes are always treated as varying-length fields—even when they are fixed-length fields.

A length indicator is included for each of these fields in the bind array. The space reserved for the field in the bind array is large enough to hold the longest possible value of the field. The length indicator gives the actual length of the field for each row.

---



---

**Note:** In conventional path loads, LOBFILES are not included when allocating the size of a bind array.

---



---

### Determining the Size of the Length Indicator

On most systems, the size of the length indicator is 2 bytes. On a few systems, it is 3 bytes. To determine its size, use the following control file:

```
OPTIONS (ROWS=1)
LOAD DATA
INFILE *
APPEND
INTO TABLE DEPT
(deptno POSITION(1:1) CHAR(1))
BEGINDATA
a
```

This control file loads a 1-byte CHAR using a 1-row bind array. In this example, no data is actually loaded because a conversion error occurs when the character a is loaded into a numeric column (deptno). The bind array size shown in the log file, minus one (the length of the character field) is the value of the length indicator.

---



---

**Note:** A similar technique can determine bind array size without doing any calculations. Run your control file without any data and with ROWS=1 to determine the memory requirements for a single row of data. Multiply by the number of rows you want in the bind array to determine the bind array size.

---



---

### Calculating the Size of Field Buffers

[Table 8-3](#) through [Table 8-6](#) summarize the memory requirements for each datatype. "L" is the length specified in the control file. "P" is precision. "S" is the size of the length indicator. For more information about these values, see [SQL\\*Loader Datatypes](#) on page 9-6.

**Table 8-3 Fixed-Length Fields**

Datatype	Size in Bytes (Operating System-Dependent)
INTEGER	The size of the INT datatype, in C

**Table 8–3 (Cont.) Fixed-Length Fields**

Datatype	Size in Bytes (Operating System-Dependent)
INTEGER ( <i>N</i> )	<i>N</i> bytes
SMALLINT	The size of SHORT INT datatype, in C
FLOAT	The size of the FLOAT datatype, in C
DOUBLE	The size of the DOUBLE datatype, in C
BYTEINT	The size of UNSIGNED CHAR, in C
VARRAW	The size of UNSIGNED SHORT, plus 4096 bytes or whatever is specified as <i>max_length</i>
LONG VARRAW	The size of UNSIGNED INT, plus 4096 bytes or whatever is specified as <i>max_length</i>
VARCHARC	Composed of 2 numbers. The first specifies length, and the second (which is optional) specifies <i>max_length</i> (default is 4096 bytes).
VARRAWC	This datatype is for RAW data. It is composed of 2 numbers. The first specifies length, and the second (which is optional) specifies <i>max_length</i> (default is 4096 bytes).

**Table 8–4 Nongraphic Fields**

Datatype	Default Size	Specified Size
(packed) DECIMAL	None	( <i>N</i> +1)/2, rounded up
ZONED	None	P
RAW	None	L
CHAR (no delimiters)	1	L + S
datetime and interval (no delimiters)	None	L + S
numeric EXTERNAL (no delimiters)	None	L + S

**Table 8–5 Graphic Fields**

Datatype	Default Size	Length Specified with POSITION	Length Specified with DATATYPE
GRAPHIC	None	L	2*L
GRAPHIC EXTERNAL	None	L - 2	2*(L-2)
VARGRAPHIC	4KB*2	L+S	(2*L)+S

**Table 8–6 Variable-Length Fields**

Datatype	Default Size	Maximum Length Specified (L)
VARCHAR	4KB	L+S
CHAR (delimited)	255	L+S
datetime and interval (delimited)	255	L+S
numeric EXTERNAL (delimited)	255	L+S

## Minimizing Memory Requirements for Bind Arrays

Pay particular attention to the default sizes allocated for `VARCHAR`, `VARGRAPHIC`, and the delimited forms of `CHAR`, `DATE`, and numeric `EXTERNAL` fields. They can consume enormous amounts of memory—especially when multiplied by the number of rows in the bind array. It is best to specify the smallest possible maximum length for these fields. Consider the following example:

```
CHAR(10) TERMINATED BY ", "
```

With byte-length semantics, this example uses  $(10 + 2) * 64 = 768$  bytes in the bind array, assuming that the length indicator is 2 bytes long and that 64 rows are loaded at a time.

With character-length semantics, the same example uses  $((10 * s) + 2) * 64$  bytes in the bind array, where "s" is the maximum size in bytes of a character in the datafile character set.

Now consider the following example:

```
CHAR TERMINATED BY ", "
```

Regardless of whether byte-length semantics or character-length semantics are used, this example uses  $(255 + 2) * 64 = 16,448$  bytes, because the default maximum size for a delimited field is 255 bytes. This can make a considerable difference in the number of rows that fit into the bind array.

## Calculating Bind Array Size for Multiple INTO TABLE Clauses

When calculating a bind array size for a control file that has multiple `INTO TABLE` clauses, calculate as if the `INTO TABLE` clauses were not present. Imagine all of the fields listed in the control file as one, long data structure—that is, the format of a single row in the bind array.

If the same field in the data record is mentioned in multiple `INTO TABLE` clauses, additional space in the bind array is required each time it is mentioned. It is especially important to minimize the buffer allocations for such fields.

---

---

**Note:** Generated data is produced by the SQL\*Loader functions `CONSTANT`, `EXPRESSION`, `RECNUM`, `SYSDATE`, and `SEQUENCE`. Such generated data does not require any space in the bind array.

---

---

---



---

## SQL\*Loader Field List Reference

This chapter describes the field-list portion of the SQL\*Loader control file. The following topics are included:

- [Field List Contents](#)
- [Specifying the Position of a Data Field](#)
- [Specifying Columns and Fields](#)
- [SQL\\*Loader Datatypes](#)
- [Specifying Field Conditions](#)
- [Using the WHEN, NULLIF, and DEFAULTIF Clauses](#)
- [Loading Data Across Different Platforms](#)
- [Byte Ordering](#)
- [Loading All-Blank Fields](#)
- [Trimming Whitespace](#)
- [How the PRESERVE BLANKS Option Affects Whitespace Trimming](#)
- [Applying SQL Operators to Fields](#)
- [Using SQL\\*Loader to Generate Data for Input](#)

### Field List Contents

The field-list portion of a SQL\*Loader control file provides information about fields being loaded, such as position, datatype, conditions, and delimiters.

[Example 9-1](#) shows the field list section of the sample control file that was introduced in [Chapter 8](#).

**Example 9-1 Field List Section of Sample Control File**

```

.
.
.
1 (hiredate SYSDATE,
2   deptno POSITION(1:2) INTEGER EXTERNAL(2)
   NULLIF deptno=BLANKS,
3   job POSITION(7:14) CHAR TERMINATED BY WHITESPACE
   NULLIF job=BLANKS "UPPER(:job)",
   mgr POSITION(28:31) INTEGER EXTERNAL
   TERMINATED BY WHITESPACE, NULLIF mgr=BLANKS,
   ename POSITION(34:41) CHAR

```

```

        TERMINATED BY WHITESPACE  "UPPER(:ename) ",
empno POSITION(45) INTEGER EXTERNAL
        TERMINATED BY WHITESPACE,
sal   POSITION(51) CHAR  TERMINATED BY WHITESPACE
      "TO_NUMBER(:sal, '$99,999.99') ",
4     comm INTEGER EXTERNAL  ENCLOSED BY '(' AND '%'
      ":comm * 100"
    )

```

In this sample control file, the numbers that appear to the left would not appear in a real control file. They are keyed in this sample to the explanatory notes in the following list:

1. SYSDATE sets the column to the current system date. See [Setting a Column to the Current Date](#) on page 9-45.
2. POSITION specifies the position of a data field. See [Specifying the Position of a Data Field](#) on page 9-2.

INTEGER EXTERNAL is the datatype for the field. See [Specifying the Datatype of a Data Field](#) on page 9-6 and [Numeric EXTERNAL](#) on page 9-15.

The NULLIF clause is one of the clauses that can be used to specify field conditions. See [Using the WHEN, NULLIF, and DEFAULTIF Clauses](#) on page 9-25.

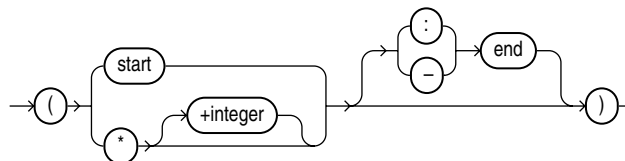
In this sample, the field is being compared to blanks, using the BLANKS parameter. See [Comparing Fields to BLANKS](#) on page 9-24.

3. The TERMINATED BY WHITESPACE clause is one of the delimiters it is possible to specify for a field. See [TERMINATED Fields](#) on page 9-19.
4. The ENCLOSED BY clause is another possible field delimiter. See [ENCLOSED Fields](#) on page 9-20.

## Specifying the Position of a Data Field

To load data from the datafile, SQL\*Loader must know the length and location of the field. To specify the position of a field in the logical record, use the POSITION clause in the column specification. The position may either be stated explicitly or relative to the preceding field. Arguments to POSITION must be enclosed in parentheses. The start, end, and integer values are always in bytes, even if character-length semantics are used for a datafile.

The syntax for the position specification (pos\_spec) clause is as follows:



[Table 9-1](#) describes the parameters for the position specification clause.

**Table 9-1 Parameters for the Position Specification Clause**

Parameter	Description
<i>start</i>	The starting column of the data field in the logical record. The first byte position in a logical record is 1.



**Table 9–1 (Cont.) Parameters for the Position Specification Clause**

Parameter	Description
<i>end</i>	The ending position of the data field in the logical record. Either <i>start-end</i> or <i>start:end</i> is acceptable. If you omit <i>end</i> , the length of the field is derived from the datatype in the datafile. Note that CHAR data specified without <i>start</i> or <i>end</i> , and without a length specification (CHAR( <i>n</i> )), is assumed to have a length of 1. If it is impossible to derive a length from the datatype, an error message is issued.
*	Specifies that the data field follows immediately after the previous field. If you use * for the first data field in the control file, that field is assumed to be at the beginning of the logical record. When you use * to specify position, the length of the field is derived from the datatype.
<i>+integer</i>	You can use an offset, specified as <i>+integer</i> , to offset the current field from the next position after the end of the previous field. A number of bytes, as specified by <i>+integer</i> , are skipped before reading the value for the current field.

You may omit POSITION entirely. If you do, the position specification for the data field is the same as if POSITION(\*) had been used.

## Using POSITION with Data Containing Tabs

When you are determining field positions, be alert for tabs in the datafile. Suppose you use the SQL\*Loader advanced SQL string capabilities to load data from a formatted report. You would probably first look at a printed copy of the report, carefully measure all character positions, and then create your control file. In such a situation, it is highly likely that when you attempt to load the data, the load will fail with multiple "invalid number" and "missing field" errors.

These kinds of errors occur when the data contains tabs. When printed, each tab expands to consume several columns on the paper. In the datafile, however, each tab is still only one character. As a result, when SQL\*Loader reads the datafile, the POSITION specifications are wrong.

To fix the problem, inspect the datafile for tabs and adjust the POSITION specifications, or else use delimited fields.

**See Also:** [Specifying Delimiters](#) on page 9-19

## Using POSITION with Multiple Table Loads

In a multiple table load, you specify multiple INTO TABLE clauses. When you specify POSITION(\*) for the first column of the first table, the position is calculated relative to the beginning of the logical record. When you specify POSITION(\*) for the first column of subsequent tables, the position is calculated relative to the last column of the last table loaded.

Thus, when a subsequent INTO TABLE clause begins, the position is *not* set to the beginning of the logical record automatically. This allows multiple INTO TABLE clauses to process different parts of the same physical record. For an example, see [Extracting Multiple Logical Records](#) on page 8-30.

A logical record might contain data for one of two tables, but not both. In this case, you *would* reset POSITION. Instead of omitting the position specification or using POSITION(\*+*n*) for the first field in the INTO TABLE clause, use POSITION(1) or POSITION(*n*).

## Examples of Using POSITION

```
siteid POSITION (*) SMALLINT
siteloc POSITION (*) INTEGER
```

If these were the first two column specifications, `siteid` would begin in column 1, and `siteloc` would begin in the column immediately following.

```
ename POSITION (1:20) CHAR
empno POSITION (22-26) INTEGER EXTERNAL
allow POSITION (*+2) INTEGER EXTERNAL TERMINATED BY "/"
```

Column `ename` is character data in positions 1 through 20, followed by column `empno`, which is presumably numeric data in columns 22 through 26. Column `allow` is offset from the next position (27) after the end of `empno` by +2, so it starts in column 29 and continues until a slash is encountered.

## Specifying Columns and Fields

You may load any number of a table's columns. Columns defined in the database, but not specified in the control file, are assigned null values.

A column specification is the name of the column, followed by a specification for the value to be put in that column. The list of columns is enclosed by parentheses and separated with commas as follows:

```
(columnspec, columnspec, ...)
```

Each column name (unless it is marked `FILLER`) must correspond to a column of the table named in the `INTO TABLE` clause. A column name must be enclosed in quotation marks if it is a SQL or SQL\*Loader reserved word, contains special characters, or is case sensitive.

If the value is to be generated by SQL\*Loader, the specification includes the `RECNUM`, `SEQUENCE`, or `CONSTANT` parameter. See [Using SQL\\*Loader to Generate Data for Input](#) on page 9-44.

If the column's value is read from the datafile, the data field that contains the column's value is specified. In this case, the column specification includes a *column name* that identifies a column in the database table, and a *field specification* that describes a field in a data record. The field specification includes position, datatype, null restrictions, and defaults.

It is not necessary to specify all attributes when loading column objects. Any missing attributes will be set to `NULL`.

## Specifying Filler Fields

A filler field, specified by `BOUNDFILLER` or `FILLER` is a datafile mapped field that does not correspond to a database column. Filler fields are assigned values from the data fields to which they are mapped.

Keep the following in mind with regard to filler fields:

- The syntax for a filler field is same as that for a column-based field, except that a filler field's name is followed by `FILLER`.
- Filler fields have names but they are not loaded into the table.
- Filler fields can be used as arguments to `init_specs` (for example, `NULLIF` and `DEFAULTIF`).

- Filler fields can be used as arguments to directives (for example, SID, OID, REF, and BFILE).

To avoid ambiguity, if a Filler field is referenced in a directive, such as BFILE, and that field is declared in the control file inside of a column object, then the field name must be qualified with the name of the column object. This is illustrated in the following example:

```
LOAD DATA
INFILE *
INTO TABLE BFILE10_TBL REPLACE
FIELDS TERMINATED BY ','
(
  emp_number char,
  emp_info_b column object
  (
    bfile_name FILLER char(12),
    emp_b BFILE(constant "SQLOP_DIR", emp_info_b.bfile_name) NULLIF
    emp_info_b.bfile_name = 'NULL'
  )
)
BEGINDATA
00001,bfile1.dat,
00002,bfile2.dat,
00003,bfile3.dat,
```

- Filler fields can be used in field condition specifications in NULLIF, DEFAULTIF, and WHEN clauses. However, they cannot be used in SQL strings.
- Filler field specifications cannot contain a NULLIF or DEFAULTIF clause.
- Filler fields are initialized to NULL if TRAILING NULLCOLS is specified and applicable. If another field references a nullified filler field, an error is generated.
- Filler fields can occur anywhere in the datafile, including inside the field list for an object or inside the definition of a VARRAY.
- SQL strings cannot be specified as part of a filler field specification, because no space is allocated for fillers in the bind array.

---



---

**Note:** The information in this section also applies to specifying bound fillers by using BOUNDFILLER. The only exception is that with bound fillers, SQL strings *can* be specified as part of the field, because space is allocated for them in the bind array.

---



---

A sample filler field specification looks as follows:

```
field_1_count FILLER char,
field_1 varray count(field_1_count)
(
  filler_field1 char(2),
  field_1 column object
  (
    attr1 char(2),
    filler_field2 char(2),
    attr2 char(2),
  )
  filler_field3 char(3),
)
filler_field4 char(6)
```

## Specifying the Datatype of a Data Field

The datatype specification of a field tells SQL\*Loader how to interpret the data in the field. For example, a datatype of `INTEGER` specifies binary data, while `INTEGER EXTERNAL` specifies character data that represents a number. A `CHAR` field can contain any character data.

Only *one* datatype can be specified for each field; if a datatype is not specified, `CHAR` is assumed.

[SQL\\*Loader Datatypes](#) on page 9-6 describes how SQL\*Loader datatypes are converted into Oracle datatypes and gives detailed information about each SQL\*Loader datatype.

Before you specify the datatype, you must specify the position of the field.

## SQL\*Loader Datatypes

SQL\*Loader datatypes can be grouped into portable and nonportable datatypes. Within each of these two groups, the datatypes are subgrouped into value datatypes and length-value datatypes.

Portable versus nonportable refers to whether or not the datatype is platform dependent. Platform dependency can exist for a number of reasons, including differences in the byte ordering schemes of different platforms (big endian versus little endian), differences in the number of bits in a platform (16-bit, 32-bit, 64-bit), differences in signed number representation schemes (2's complement versus 1's complement), and so on. In some cases, such as with byte ordering schemes and platform word length, SQL\*Loader provides mechanisms to help overcome platform dependencies. These mechanisms are discussed in the descriptions of the appropriate datatypes.

Both portable and nonportable datatypes can be values or length-values. Value datatypes assume that a data field has a single part. Length-value datatypes require that the data field consist of two subfields where the length subfield specifies how long the value subfield can be.

## Nonportable Datatypes

Nonportable datatypes are grouped into value datatypes and length-value datatypes. The nonportable value datatypes are as follows:

- `INTEGER (n)`
- `SMALLINT`
- `FLOAT`
- `DOUBLE`
- `BYTEINT`
- `ZONED`
- `(packed) DECIMAL`

The nonportable length-value datatypes are as follows:

- `VARGRAPHIC`
- `VARCHAR`
- `VARRAW`

- LONG VARRAW

The syntax for the nonportable datatypes is shown in the syntax diagram for [datatype\\_spec](#) on page A-8.

### INTEGER(*n*)

The data is a full-word binary integer, where *n* is an optionally supplied length of 1, 2, 4, or 8. If no length specification is given, then the length, in bytes, is based on the size of a LONG INT in the C programming language on your particular platform.

INTEGERS are not portable because their byte size, their byte order, and the representation of signed values may be different between systems. However, if the representation of signed values is the same between systems, SQL\*Loader may be able to access INTEGER data with correct results. If INTEGER is specified with a length specification (*n*), and the appropriate technique is used (if necessary) to indicate the byte order of the data, then SQL\*Loader can access the data with correct results between systems. If INTEGER is specified without a length specification, then SQL\*Loader can access the data with correct results only if the size of a LONG INT in the C programming language is the same length in bytes on both systems. In that case, the appropriate technique must still be used (if necessary) to indicated the byte order of the data.

Specifying an explicit length for binary integers is useful in situations where the input data was created on a platform whose word length differs from that on which SQL\*Loader is running. For instance, input data containing binary integers might be created on a 64-bit platform and loaded into a database using SQL\*Loader on a 32-bit platform. In this case, use INTEGER (8) to instruct SQL\*Loader to process the integers as 8-byte quantities, not as 4-byte quantities.

By default, INTEGER is treated as a SIGNED quantity. If you want SQL\*Loader to treat it as an unsigned quantity, specify UNSIGNED. To return to the default behavior, specify SIGNED.

**See Also:** [Loading Data Across Different Platforms](#) on page 9-29

### SMALLINT

The data is a half-word binary integer. The length of the field is the length of a half-word integer on your system. By default, it is treated as a SIGNED quantity. If you want SQL\*Loader to treat it as an unsigned quantity, specify UNSIGNED. To return to the default behavior, specify SIGNED.

SMALLINT can be loaded with correct results only between systems where a SHORT INT has the same length in bytes. If the byte order is different between the systems, use the appropriate technique to indicate the byte order of the data. See [Byte Ordering](#) on page 9-29.

---



---

**Note:** This is the SHORT INT datatype in the C programming language. One way to determine its length is to make a small control file with no data and look at the resulting log file. This length cannot be overridden in the control file.

---



---

### FLOAT

The data is a single-precision, floating-point, binary number. If you specify *end* in the POSITION clause, *end* is ignored. The length of the field is the length of a

single-precision, floating-point binary number on your system. (The datatype is `FLOAT` in C.) This length cannot be overridden in the control file.

`FLOAT` can be loaded with correct results only between systems where the representation of `FLOAT` is compatible and of the same length. If the byte order is different between the two systems, use the appropriate technique to indicate the byte order of the data. See [Byte Ordering](#) on page 9-29.

## DOUBLE

The data is a double-precision, floating-point binary number. If you specify *end* in the `POSITION` clause, *end* is ignored. The length of the field is the length of a double-precision, floating-point binary number on your system. (The datatype is `DOUBLE` or `LONG FLOAT` in C.) This length cannot be overridden in the control file.

`DOUBLE` can be loaded with correct results only between systems where the representation of `DOUBLE` is compatible and of the same length. If the byte order is different between the two systems, use the appropriate technique to indicate the byte order of the data. See [Byte Ordering](#) on page 9-29.

## BYTEINT

The decimal value of the binary representation of the byte is loaded. For example, the input character `x"1C"` is loaded as 28. The length of a `BYTEINT` field is always 1 byte. If `POSITION (start:end)` is specified, *end* is ignored. (The datatype is `UNSIGNED CHAR` in C.)

An example of the syntax for this datatype is:

```
(column1 position(1) BYTEINT,
column2 BYTEINT,
...
)
```

## ZONED

`ZONED` data is in zoned decimal format: a string of decimal digits, one per byte, with the sign included in the last byte. (In COBOL, this is a `SIGN TRAILING` field.) The length of this field is equal to the precision (number of digits) that you specify.

The syntax for the `ZONED` datatype is:



In this syntax, *precision* is the number of digits in the number, and *scale* (if given) is the number of digits to the right of the (implied) decimal point. The following example specifies an 8-digit integer starting at position 32:

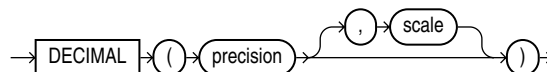
```
sal POSITION(32) ZONED(8),
```

The Oracle database uses the VAX/VMS zoned decimal format when the zoned data is generated on an ASCII-based platform. It is also possible to load zoned decimal data that is generated on an EBCDIC-based platform. In this case, Oracle uses the IBM format as specified in the *ESA/390 Principles of Operations*, version 8.1 manual. The format that is used depends on the character set encoding of the input datafile. See [CHARACTERSET Parameter](#) on page 8-15 for more information.

## DECIMAL

DECIMAL data is in packed decimal format: two digits per byte, except for the last byte, which contains a digit and sign. DECIMAL fields allow the specification of an implied decimal point, so fractional values can be represented.

The syntax for the DECIMAL datatype is:



The *precision* parameter is the number of digits in a value. The length of the field in bytes, as computed from digits, is  $(N+1)/2$  rounded up.

The *scale* parameter is the scaling factor, or number of digits to the right of the decimal point. The default is zero (indicating an integer). The scaling factor can be greater than the number of digits but cannot be negative.

An example is:

```
sal DECIMAL (7,2)
```

This example would load a number equivalent to +12345.67. In the data record, this field would take up 4 bytes. (The byte length of a DECIMAL field is equivalent to  $(N+1)/2$ , rounded up, where N is the number of digits in the value, and 1 is added for the sign.)

## VARGRAPHIC

The data is a varying-length, double-byte character set (DBCS). It consists of a length subfield followed by a string of double-byte characters. The Oracle database does not support double-byte character sets; however, SQL\*Loader reads them as single bytes and loads them as RAW data. Like RAW data, VARGRAPHIC fields are stored without modification in whichever column you specify.

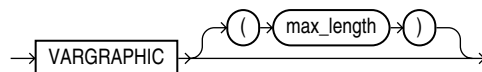
---

**Note:** The size of the length subfield is the size of the SQL\*Loader SMALLINT datatype on your system (C type SHORT INT). See [SMALLINT](#) on page 9-7 for more information.

---

VARGRAPHIC data can be loaded with correct results only between systems where a SHORT INT has the same length in bytes. If the byte order is different between the systems, use the appropriate technique to indicate the byte order of the length subfield. See [Byte Ordering](#) on page 9-29.

The syntax for the VARGRAPHIC datatype is:



The length of the current field is given in the first 2 bytes. A maximum length specified for the VARGRAPHIC datatype does *not* include the size of the length subfield. The maximum length specifies the number of graphic (double-byte) characters. It is multiplied by 2 to determine the maximum length of the field in bytes.

The default maximum field length is 2 KB graphic characters, or 4 KB (2 \* 2KB). To minimize memory requirements, specify a maximum length for such fields whenever possible.

If a position specification is specified (using `pos_spec`) before the `VARGRAPHIC` statement, it provides the location of the length subfield, not of the first graphic character. If you specify `pos_spec (start:end)`, the end location determines a maximum length for the field. Both `start` and `end` identify single-character (byte) positions in the file. `start` is subtracted from  $(end + 1)$  to give the length of the field in bytes. If a maximum length is specified, it overrides any maximum length calculated from the position specification.

If a `VARGRAPHIC` field is truncated by the end of the logical record before its full length is read, a warning is issued. Because the length of a `VARGRAPHIC` field is embedded in every occurrence of the input data for that field, it is assumed to be accurate.

`VARGRAPHIC` data cannot be delimited.

## VARCHAR

A `VARCHAR` field is a length-value datatype. It consists of a binary length subfield followed by a character string of the specified length. The length is in bytes unless character-length semantics are used for the datafile. In that case, the length is in characters. See [Character-Length Semantics](#) on page 8-17.

`VARCHAR` fields can be loaded with correct results only between systems where a `SHORT` data field `INT` has the same length in bytes. If the byte order is different between the systems, or if the `VARCHAR` field contains data in the UTF16 character set, use the appropriate technique to indicate the byte order of the length subfield and of the data. The byte order of the data is only an issue for the UTF16 character set. See [Byte Ordering](#) on page 9-29.

---



---

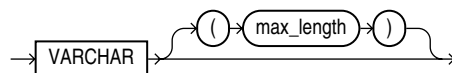
**Note:** The size of the length subfield is the size of the SQL\*Loader `SMALLINT` datatype on your system (C type `SHORT INT`). See [SMALLINT](#) on page 9-7 for more information.

---



---

The syntax for the `VARCHAR` datatype is:



A maximum length specified in the control file does *not* include the size of the length subfield. If you specify the optional maximum length for a `VARCHAR` datatype, then a buffer of that size, in bytes, is allocated for these fields. However, if character-length semantics are used for the datafile, the buffer size in bytes is the `max_length` times the size in bytes of the largest possible character in the character set. See [Character-Length Semantics](#) on page 8-17.

The default maximum size is 4 KB. Specifying the smallest maximum length that is needed to load your data can minimize SQL\*Loader's memory requirements, especially if you have many `VARCHAR` fields.

The `POSITION` clause, if used, gives the location, in bytes, of the length subfield, not of the first text character. If you specify `POSITION (start:end)`, the end location determines a maximum length for the field. `start` is subtracted from  $(end + 1)$  to



give the length of the field in bytes. If a maximum length is specified, it overrides any length calculated from POSITION.

If a VARCHAR field is truncated by the end of the logical record before its full length is read, a warning is issued. Because the length of a VARCHAR field is embedded in every occurrence of the input data for that field, it is assumed to be accurate.

VARCHAR data cannot be delimited.

## VARRAW

VARRAW is made up of a 2-byte binary length subfield followed by a RAW string value subfield.

VARRAW results in a VARRAW with a 2-byte length subfield and a maximum size of 4 KB (that is, the default). VARRAW(65000) results in a VARRAW with a length subfield of 2 bytes and a maximum size of 65000 bytes.

VARRAW fields can be loaded between systems with different byte orders if the appropriate technique is used to indicate the byte order of the length subfield. See [Byte Ordering](#) on page 9-29.

## LONG VARRAW

LONG VARRAW is a VARRAW with a 4-byte length subfield instead of a 2-byte length subfield.

LONG VARRAW results in a VARRAW with 4-byte length subfield and a maximum size of 4 KB (that is, the default). LONG VARRAW(300000) results in a VARRAW with a length subfield of 4 bytes and a maximum size of 300000 bytes.

LONG VARRAW fields can be loaded between systems with different byte orders if the appropriate technique is used to indicate the byte order of the length subfield. See [Byte Ordering](#) on page 9-29.

## Portable Datatypes

The portable datatypes are grouped into value datatypes and length-value datatypes. The portable value datatypes are as follows:

- CHAR
- Datetime and Interval
- GRAPHIC
- GRAPHIC EXTERNAL
- Numeric EXTERNAL (INTEGER, FLOAT, DECIMAL, ZONED)
- RAW

The portable length-value datatypes are as follows:

- VARCHARC
- VARRAWC

The syntax for these datatypes is shown in the diagram for [datatype\\_spec](#) on page A-8.

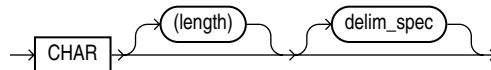
The character datatypes are CHAR, DATE, and the numeric EXTERNAL datatypes. These fields can be delimited and can have lengths (or maximum lengths) specified in the control file.

## CHAR

The data field contains character data. The length, which is optional, is a maximum length. Note the following with regard to length:

- If a length is not specified, it is derived from the POSITION specification.
- If a length *is* specified, it overrides the length in the POSITION specification.
- If no length is given and there is no POSITION specification, CHAR data is assumed to have a length of 1, unless the field is delimited:
  - For a delimited CHAR field, if a length is specified, that length is used as a maximum.
  - For a delimited CHAR field for which no length is specified, the default is 255 bytes.
  - For a delimited CHAR field that is greater than 255 bytes, you must specify a maximum length. Otherwise you will receive an error stating that the field in the datafile exceeds maximum length.

The syntax for the CHAR datatype is:



**See Also:** [Specifying Delimiters](#) on page 9-19

## Datetime and Interval Datatypes

Both datetimes and intervals are made up of fields. The values of these fields determine the value of the datatype.

The datetime datatypes are:

- DATE
- TIME
- TIME WITH TIME ZONE
- TIMESTAMP
- TIMESTAMP WITH TIME ZONE
- TIMESTAMP WITH LOCAL TIME ZONE

Values of datetime datatypes are sometimes called datetimes. In the following descriptions of the datetime datatypes you will see that, except for DATE, you are allowed to optionally specify a value for `fractional_second_precision`. The `fractional_second_precision` specifies the number of digits stored in the fractional part of the SECOND datetime field. When you create a column of this datatype, the value can be a number in the range 0 to 9. The default is 6.

The interval datatypes are:

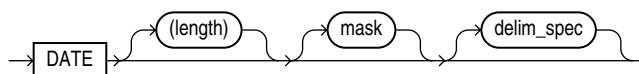
- INTERVAL YEAR TO MONTH
- INTERVAL DAY TO SECOND

Values of interval datatypes are sometimes called intervals. The INTERVAL YEAR TO MONTH datatype allows you to optionally specify a value for `year_precision`. The `year_precision` value is the number of digits in the YEAR datetime field. The default value is 2.

The `INTERVAL DAY TO SECOND` datatype allows you to optionally specify values for `day_precision` and `fractional_second_precision`. The `day_precision` is the number of digits in the `DAY` datetime field. Accepted values are 0 to 9. The default is 2. The `fractional_second_precision` specifies the number of digits stored in the fractional part of the `SECOND` datetime field. When you create a column of this datatype, the value can be a number in the range 0 to 9. The default is 6.

**See Also:** *Oracle Database SQL Language Reference* for more detailed information about specifying datetime and interval datatypes, including the use of `fractional_second_precision`, `year_precision`, and `day_precision`

**DATE** The `DATE` field contains character data that should be converted to an Oracle date using the specified date mask. The syntax for the `DATE` field is:



For example:

```

LOAD DATA
INTO TABLE dates (col_a POSITION (1:15) DATE "DD-Mon-YYYY")
BEGIN DATA
1-Jan-2002
1-Apr-2002 28-Feb-2002
  
```

Whitespace is ignored and dates are parsed from left to right unless delimiters are present. (A `DATE` field that consists entirely of whitespace is loaded as a `NULL` field.)

The length specification is optional, unless a varying-length date mask is specified. The length is in bytes unless character-length semantics are used for the datafile. In that case, the length is in characters. See [Character-Length Semantics](#) on page 8-17.

In the preceding example, the date mask, "DD-Mon-YYYY" contains 11 bytes, with byte-length semantics. Therefore, SQL\*Loader expects a maximum of 11 bytes in the field, so the specification works properly. But, suppose a specification such as the following is given:

```
DATE "Month dd, YYYY"
```

In this case, the date mask contains 14 bytes. If a value with a length longer than 14 bytes is specified, such as "September 30, 1991", a length must be specified.

Similarly, a length is required for any Julian dates (date mask "J"). A field length is required any time the length of the date string could exceed the length of the mask (that is, the count of bytes in the mask).

If an explicit length is not specified, it can be derived from the `POSITION` clause. It is a good idea to specify the length whenever you use a mask, unless you are absolutely sure that the length of the data is less than, or equal to, the length of the mask.

An explicit length specification, if present, overrides the length in the `POSITION` clause. Either of these overrides the length derived from the mask. The mask may be any valid Oracle date mask. If you omit the mask, the default Oracle date mask of "dd-mon-yy" is used.

The length must be enclosed in parentheses and the mask in quotation marks.

A field of datatype `DATE` may also be specified with delimiters. For more information, see [Specifying Delimiters](#) on page 9-19.

**TIME** The `TIME` datatype stores hour, minute, and second values. It is specified as follows:

```
TIME [(fractional_second_precision)]
```

**TIME WITH TIME ZONE** The `TIME WITH TIME ZONE` datatype is a variant of `TIME` that includes a time zone displacement in its value. The time zone displacement is the difference (in hours and minutes) between local time and UTC (coordinated universal time, formerly Greenwich mean time). It is specified as follows:

```
TIME [(fractional_second_precision)] WITH [LOCAL] TIME ZONE
```

If the `LOCAL` option is specified, then data stored in the database is normalized to the database time zone, and time zone displacement is not stored as part of the column data. When the data is retrieved, it is returned in the user's local session time zone.

**TIMESTAMP** The `TIMESTAMP` datatype is an extension of the `DATE` datatype. It stores the year, month, and day of the `DATE` datatype, plus the hour, minute, and second values of the `TIME` datatype. It is specified as follows:

```
TIMESTAMP [(fractional_second_precision)]
```

If you specify a date value without a time component, the default time is 12:00:00 a.m. (midnight).

**TIMESTAMP WITH TIME ZONE** The `TIMESTAMP WITH TIME ZONE` datatype is a variant of `TIMESTAMP` that includes a time zone displacement in its value. The time zone displacement is the difference (in hours and minutes) between local time and UTC (coordinated universal time, formerly Greenwich mean time). It is specified as follows:

```
TIMESTAMP [(fractional_second_precision)] WITH TIME ZONE
```

**TIMESTAMP WITH LOCAL TIME ZONE** The `TIMESTAMP WITH LOCAL TIME ZONE` datatype is another variant of `TIMESTAMP` that includes a time zone offset in its value. Data stored in the database is normalized to the database time zone, and time zone displacement is not stored as part of the column data. When the data is retrieved, it is returned in the user's local session time zone. It is specified as follows:

```
TIMESTAMP [(fractional_second_precision)] WITH LOCAL TIME ZONE
```

**INTERVAL YEAR TO MONTH** The `INTERVAL YEAR TO MONTH` datatype stores a period of time using the `YEAR` and `MONTH` datetime fields. It is specified as follows:

```
INTERVAL YEAR [(year_precision)] TO MONTH
```

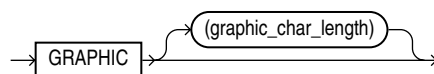
**INTERVAL DAY TO SECOND** The `INTERVAL DAY TO SECOND` datatype stores a period of time using the `DAY` and `SECOND` datetime fields. It is specified as follows:

```
INTERVAL DAY [(day_precision)] TO SECOND [(fractional_second_precision)]
```

## GRAPHIC

The data is in the form of a double-byte character set (DBCS). The Oracle database does not support double-byte character sets; however, SQL\*Loader reads them as single bytes. Like RAW data, GRAPHIC fields are stored without modification in whichever column you specify.

The syntax for the GRAPHIC datatype is:



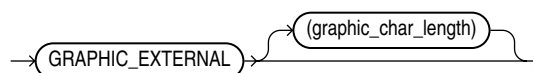
For GRAPHIC and GRAPHIC EXTERNAL, specifying POSITION (*start:end*) gives the exact location of the field in the logical record.

If you specify a length for the GRAPHIC (EXTERNAL) datatype, however, then you give the number of double-byte graphic characters. That value is multiplied by 2 to find the length of the field in bytes. If the number of graphic characters is specified, then any length derived from POSITION is ignored. No delimited data field specification is allowed with GRAPHIC datatype specification.

### GRAPHIC EXTERNAL

If the DBCS field is surrounded by shift-in and shift-out characters, use GRAPHIC EXTERNAL. This is identical to GRAPHIC, except that the first and last characters (the shift-in and shift-out) are not loaded.

The syntax for the GRAPHIC EXTERNAL datatype is:



GRAPHIC indicates that the data is double-byte characters. EXTERNAL indicates that the first and last characters are ignored. The *graphic\_char\_length* value specifies the length in DBCS (see GRAPHIC on page 9-14).

For example, let [ ] represent shift-in and shift-out characters, and let # represent any double-byte character.

To describe #####, use POSITION (1:4) GRAPHIC or POSITION (1) GRAPHIC (2).

To describe [#####], use POSITION (1:6) GRAPHIC EXTERNAL or POSITION (1) GRAPHIC EXTERNAL (2).

### Numeric EXTERNAL

The numeric EXTERNAL datatypes are the numeric datatypes (INTEGER, FLOAT, DECIMAL, and ZONED) specified as EXTERNAL, with optional length and delimiter specifications. The length is in bytes unless character-length semantics are used for the datafile. In that case, the length is in characters. See [Character-Length Semantics](#) on page 8-17.

These datatypes are the human-readable, character form of numeric data. The same rules that apply to CHAR data with regard to length, position, and delimiters apply to numeric EXTERNAL data. See [CHAR](#) on page 9-12 for a complete description of these rules.

The syntax for the numeric EXTERNAL datatypes is shown as part of [datatype\\_spec](#) on page A-8.

---



---

**Note:** The data is a number in character form, not binary representation. Therefore, these datatypes are identical to CHAR and are treated identically, *except for the use of DEFAULTIF*. If you want the default to be null, use CHAR; if you want it to be zero, use EXTERNAL. See [Using the WHEN, NULLIF, and DEFAULTIF Clauses](#) on page 9-25.

---



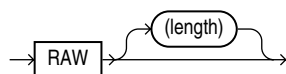
---

FLOAT EXTERNAL data can be given in either scientific or regular notation. Both "5.33" and "533E-2" are valid representations of the same value.

## RAW

When raw, binary data is loaded "as is" into a RAW database column, it is not converted by the Oracle database. If it is loaded into a CHAR column, the Oracle database converts it to hexadecimal. It cannot be loaded into a DATE or number column.

The syntax for the RAW datatype is as follows:



The length of this field is the number of bytes specified in the control file. This length is limited only by the length of the target column in the database and by memory resources. The length is always in bytes, even if character-length semantics are used for the datafile. RAW data fields cannot be delimited.

## VARCHARC

The datatype VARCHARC consists of a character length subfield followed by a character string value-subfield.

The declaration for VARCHARC specifies the length of the length subfield, optionally followed by the maximum size of any string. If byte-length semantics are in use for the datafile, then the length and the maximum size are both in bytes. If character-length semantics are in use for the datafile, then the length and maximum size are in characters. If a maximum size is not specified, 4 KB is the default regardless of whether byte-length semantics or character-length semantics are in use.

For example:

- VARCHARC results in an error because you must at least specify a value for the length subfield.
- VARCHARC (7) results in a VARCHARC whose length subfield is 7 bytes long and whose maximum size is 4 KB (the default) if byte-length semantics are used for the datafile. If character-length semantics are used, it results in a VARCHARC with a length subfield that is 7 characters long and a maximum size of 4 KB (the default). Remember that when a maximum size is not specified, the default of 4 KB is always used, regardless of whether byte-length or character-length semantics are in use.
- VARCHARC (3, 500) results in a VARCHARC whose length subfield is 3 bytes long and whose maximum size is 500 bytes if byte-length semantics are used for the datafile. If character-length semantics are used, it results in a VARCHARC with a length subfield that is 3 characters long and a maximum size of 500 characters.

See [Character-Length Semantics](#) on page 8-17.

## VARRAWC

The datatype VARRAWC consists of a RAW string value subfield.

For example:

- VARRAWC results in an error.
- VARRAWC (7) results in a VARRAWC whose length subfield is 7 bytes long and whose maximum size is 4 KB (that is, the default).
- VARRAWC (3, 500) results in a VARRAWC whose length subfield is 3 bytes long and whose maximum size is 500 bytes.

## Conflicting Native Datatype Field Lengths

There are several ways to specify a length for a field. If multiple lengths are specified and they conflict, then one of the lengths takes precedence. A warning is issued when a conflict exists. The following rules determine which field length is used:

1. The size of SMALLINT, FLOAT, and DOUBLE data is fixed, regardless of the number of bytes specified in the POSITION clause.
2. If the length specified (or precision) of a DECIMAL, INTEGER, ZONED, GRAPHIC, GRAPHIC EXTERNAL, or RAW field conflicts with the size calculated from a POSITION (*start:end*) specification, then the specified length (or precision) is used.
3. If the maximum size specified for a character or VARGRAPHIC field conflicts with the size calculated from a POSITION (*start:end*) specification, then the specified maximum is used.

For example, assume that the native datatype INTEGER is 4 bytes long and the following field specification is given:

```
column1 POSITION(1:6) INTEGER
```

In this case, a warning is issued, and the proper length (4) is used. The log file shows the actual length used under the heading "Len" in the column table:

Column Name	Position	Len	Term	Encl	Datatype
COLUMN1	1:6	4			INTEGER

## Field Lengths for Length-Value Datatypes

A control file can specify a maximum length for the following length-value datatypes: VARCHAR, VARCHARC, VARGRAPHIC, VARRAW, and VARRAWC. The specified maximum length is in bytes if byte-length semantics are used for the field, and in characters if character-length semantics are used for the field. If no length is specified, the maximum length defaults to 4096 bytes. If the length of the field exceeds the maximum length, the record is rejected with the following error:

```
Variable length field exceed maximum length
```

## Datatype Conversions

The datatype specifications in the control file tell SQL\*Loader how to interpret the information in the datafile. The server defines the datatypes for the columns in the database. The link between these two is the *column name* specified in the control file.

SQL\*Loader extracts data from a field in the input file, guided by the datatype specification in the control file. SQL\*Loader then sends the field to the server to be stored in the appropriate column (as part of an array of row inserts).

SQL\*Loader or the server does any necessary data conversion to store the data in the proper internal format. This includes converting data from the datafile character set to the database character set when they differ.

---

---

**Note:** When you use SQL\*Loader conventional path to load character data from the data file into a `LONG RAW` column, the character data is interpreted as a HEX string. SQL converts the HEX string into its binary representation. Be aware that any string longer than 4000 bytes exceeds the byte limit for the `SQL HEXTORAW` conversion operator. Therefore, SQL returns the Oracle error `ORA-01461`. SQL\*Loader will reject that row and continue loading.

---

---

The datatype of the data in the file does not need to be the same as the datatype of the column in the Oracle table. The Oracle database automatically performs conversions, but you need to ensure that the conversion makes sense and does not generate errors. For instance, when a datafile field with datatype `CHAR` is loaded into a database column with datatype `NUMBER`, you must make sure that the contents of the character field represent a valid number.

---

---

**Note:** SQL\*Loader does *not* contain datatype specifications for Oracle internal datatypes such as `NUMBER` or `VARCHAR2`. The SQL\*Loader datatypes describe data that can be produced with text editors (*character* datatypes) and with standard programming languages (*native* datatypes). However, although SQL\*Loader does not recognize datatypes like `NUMBER` and `VARCHAR2`, any data that the Oracle database is capable of converting may be loaded into these or other database columns.

---

---

## Datatype Conversions for Datetime and Interval Datatypes

Table 9–2 shows which conversions between Oracle database datatypes and SQL\*Loader control file datetime and interval datatypes are supported and which are not.

In the table, the abbreviations for the Oracle Database Datatypes are as follows:

N = NUMBER

C = CHAR or VARCHAR2

D = DATE

T = TIME and TIME WITH TIME ZONE

TS = TIMESTAMP and TIMESTAMP WITH TIME ZONE

YM = INTERVAL YEAR TO MONTH

DS = INTERVAL DAY TO SECOND

For the SQL\*Loader datatypes, the definitions for the abbreviations in the table are the same for D, T, TS, YM, and DS. However, as noted in the previous section, SQL\*Loader does *not* contain datatype specifications for Oracle internal datatypes



such as NUMBER, CHAR, and VARCHAR2. However, any data that the Oracle database is capable of converting can be loaded into these or other database columns.

For an example of how to read this table, look at the row for the SQL\*Loader datatype DATE (abbreviated as D). Reading across the row, you can see that datatype conversion is supported for the Oracle database datatypes of CHAR, VARCHAR2, DATE, TIMESTAMP, and TIMESTAMP WITH TIME ZONE datatypes. However, conversion is not supported for the Oracle database datatypes NUMBER, TIME, TIME WITH TIME ZONE, INTERVAL YEAR TO MONTH, or INTERVAL DAY TO SECOND datatypes.

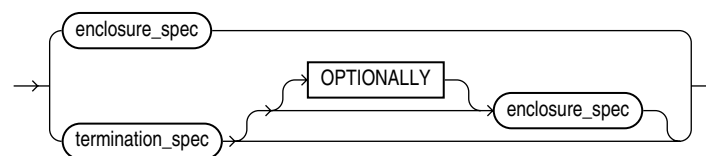
**Table 9–2 Datatype Conversions for Datetime and Interval Datatypes**

SQL*Loader Datatype	Oracle Database Datatype (Conversion Support)
N	N (Yes), C (Yes), D (No), T (No), TS (No), YM (No), DS (No)
C	N (Yes), C (Yes), D (Yes), T (Yes), TS (Yes), YM (Yes), DS (Yes)
D	N (No), C (Yes), D (Yes), T (No), TS (Yes), YM (No), DS (No)
T	N (No), C (Yes), D (No), T (Yes), TS (Yes), YM (No), DS (No)
TS	N (No), C (Yes), D (Yes), T (Yes), TS (Yes), YM (No), DS (No)
YM	N (No), C (Yes), D (No), T (No), TS (No), YM (Yes), DS (No)
DS	N (No), C (Yes), D (No), T (No), TS (No), YM (No), DS (Yes)

## Specifying Delimiters

The boundaries of CHAR, datetime, interval, or numeric EXTERNAL fields may also be marked by specific delimiter characters contained in the input data record. The RAW datatype may also be marked by delimiters, but only if it is in an input LOBFILE, and only if the delimiter is TERMINATED BY EOF (end of file). You indicate how the field is delimited by using a delimiter specification after specifying the datatype.

Delimited data can be terminated or enclosed, as shown in the following syntax:



You can specify a TERMINATED BY clause, an ENCLOSED BY clause, or both. If both are used, the TERMINATED BY clause must come first. To see the syntax for enclosure\_spec and termination\_spec, see [Syntax for Termination and Enclosure Specification](#) on page 9-20.

### TERMINATED Fields

TERMINATED fields are read from the starting position of the field up to, but not including, the first occurrence of the delimiter character. If the terminator delimiter is found in the first column position, the field is null.

If TERMINATED BY WHITESPACE is specified, data is read until the first occurrence of a whitespace character (spaces, tabs, blanks, line feeds, form feeds, or carriage returns). Then the current position is advanced until no more adjacent whitespace characters are found. This allows field values to be delimited by varying amounts of whitespace.

## ENCLOSED Fields

ENCLOSED fields are read by skipping whitespace until a nonwhitespace character is encountered. If that character is the delimiter, then data is read up to the second delimiter. Any other character causes an error.

If two delimiter characters are encountered next to each other, a single occurrence of the delimiter character is used in the data value. For example, 'DON"T' is stored as DON"T. However, if the field consists of just two delimiter characters, its value is null.

## Syntax for Termination and Enclosure Specification

The following diagram shows the syntax for `termination_spec` and `enclosure_spec`.

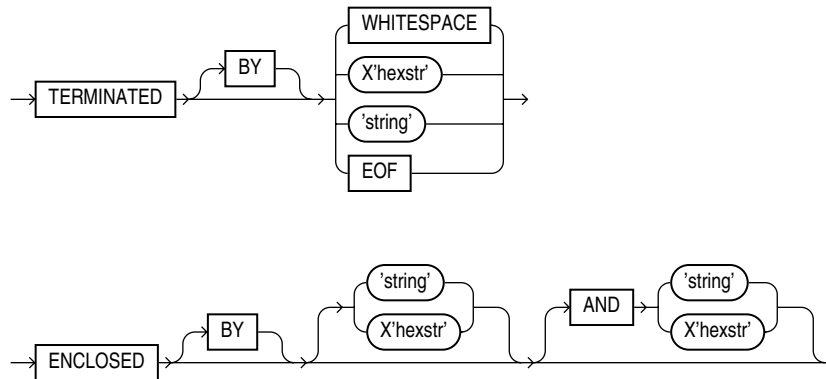


Table 9–3 describes the syntax for the termination and enclosure specifications used to specify delimiters.

**Table 9–3 Parameters Used for Specifying Delimiters**

Parameter	Description
TERMINATED	Data is read until the first occurrence of a delimiter.
BY	An optional word to increase readability.
WHITESPACE	Delimiter is any whitespace character including spaces, tabs, blanks, line feeds, form feeds, or carriage returns. (Only used with TERMINATED, not with ENCLOSED.)
OPTIONALLY	Data can be enclosed by the specified character. If SQL*Loader finds a first occurrence of the character, it reads the data value until it finds the second occurrence. If the data is not enclosed, the data is read as a terminated field. If you specify an optional enclosure, you must specify a TERMINATED BY clause (either locally in the field definition or globally in the FIELDS clause).
ENCLOSED	The data will be found between two delimiters.
<i>string</i>	The delimiter is a string.
<i>X'hexstr'</i>	The delimiter is a string that has the value specified by <i>X'hexstr'</i> in the character encoding scheme, such as X'1F' (equivalent to 31 decimal). "X" can be either lowercase or uppercase.
AND	Specifies a trailing enclosure delimiter that may be different from the initial enclosure delimiter. If AND is not present, then the initial and trailing delimiters are assumed to be the same.

**Table 9–3 (Cont.) Parameters Used for Specifying Delimiters**

Parameter	Description
EOF	Indicates that the entire file has been loaded into the LOB. This is valid only when data is loaded from a LOB file. Fields terminated by EOF cannot be enclosed.

Here are some examples, with samples of the data they describe:

```

TERMINATED BY ','          a data string,
ENCLOSED BY '"'           "a data string"
TERMINATED BY ',' ENCLOSED BY '"' "a data string",
ENCLOSED BY '(' AND ')'   (a data string)

```

### Delimiter Marks in the Data

Sometimes the punctuation mark that is a delimiter must also be included in the data. To make that possible, two adjacent delimiter characters are interpreted as a single occurrence of the character, and this character is included in the data. For example, this data:

```
(The delimiters are left parentheses, (, and right parentheses, ).)
```

with this field specification:

```
ENCLOSED BY "(" AND ")"
```

puts the following string into the database:

```
The delimiters are left parentheses, (, and right parentheses, ).
```

For this reason, problems can arise when adjacent fields use the same delimiters. For example, with the following specification:

```
field1 TERMINATED BY "/"
field2 ENCLOSED BY "/"
```

the following data will be interpreted properly:

```
This is the first string/      /This is the second string/
```

But if `field1` and `field2` were adjacent, then the results would be incorrect, because

```
This is the first string//This is the second string/
```

would be interpreted as a single character string with a "/" in the middle, and that string would belong to `field1`.

### Maximum Length of Delimited Data

The default maximum length of delimited data is 255 bytes. Therefore, delimited fields can require significant amounts of storage for the bind array. A good policy is to specify the smallest possible maximum value if the fields are shorter than 255 bytes. If the fields are longer than 255 bytes, then you must specify a maximum length for the field, either with a length specifier or with the `POSITION` clause.

For example, if you have a string literal that is longer than 255 bytes, then in addition to using `SUBSTR()`, use `CHAR()` to specify the longest string in any record for the field. An example of how this would look is as follows, assuming that 600 bytes is the longest string in any record for `field1`:

```
field1 CHAR(600) SUBSTR(:field, 1, 240)
```

### Loading Trailing Blanks with Delimiters

Trailing blanks are not loaded with nondelimited datatypes unless you specify `PRESERVE BLANKS`. If a data field is 9 characters long and contains the value `DANIELbbb`, where `bbb` is three blanks, it is loaded into the Oracle database as `"DANIEL"` if declared as `CHAR(9)`.

If you want the trailing blanks, you could declare it as `CHAR(9) TERMINATED BY ' : '`, and add a colon to the datafile so that the field is `DANIELbbb:`. This field is loaded as `"DANIEL "`, with the trailing blanks. You could also specify `PRESERVE BLANKS` without the `TERMINATED BY` clause and obtain the same results.

#### See Also:

- [Trimming Whitespace](#) on page 9-33
- [How the PRESERVE BLANKS Option Affects Whitespace Trimming](#) on page 9-39

### Conflicting Field Lengths for Character Datatypes

A control file can specify multiple lengths for the character-data fields `CHAR`, `DATE`, and numeric `EXTERNAL`. If conflicting lengths are specified, one of the lengths takes precedence. A warning is also issued when a conflict exists. This section explains which length is used.

#### Predetermined Size Fields

If you specify a starting position and ending position for one of these fields, then the length of the field is determined by these specifications. If you specify a length as part of the datatype and do not give an ending position, the field has the given length. If starting position, ending position, and length are all specified, and the lengths differ, then the length given as part of the datatype specification is used for the length of the field, as follows:

```
POSITION(1:10) CHAR(15)
```

In this example, the length of the field is 15.

#### Delimited Fields

If a delimited field is specified with a length, or if a length can be calculated from the starting and ending positions, then that length is the *maximum* length of the field. The specified maximum length is in bytes if byte-length semantics are used for the field, and in characters if character-length semantics are used for the field. If no length is specified or can be calculated from the start and end positions, the maximum length defaults to 255 bytes. The actual length can vary up to that maximum, based on the presence of the delimiter.

If starting and ending positions are specified for the field, as well as delimiters, then only the position specification has any effect. Any enclosure or termination delimiters are ignored.

If the expected delimiter is absent, then the end of record terminates the field. If `TRAILING NULLCOLS` is specified, remaining fields are null. If either the delimiter or the end of record produces a field that is longer than the maximum, SQL\*Loader rejects the record and returns an error.

## Date Field Masks

The length of a date field depends on the mask, if a mask is specified. The mask provides a format pattern, telling SQL\*Loader how to interpret the data in the record. For example, assume the mask is specified as follows:

```
"Month dd, yyyy"
```

Then "May 3, 1991" would occupy 11 bytes in the record (with byte-length semantics), while "January 31, 1992" would occupy 16.

If starting and ending positions *are* specified, however, then the length calculated from the position specification overrides a length derived from the mask. A specified length such as `DATE(12)` overrides either of those. If the date field is also specified with terminating or enclosing delimiters, then the length specified in the control file is interpreted as a maximum length for the field.

**See Also:** [Datetime and Interval Datatypes](#) on page 9-12 for more information about the `DATE` field

## Specifying Field Conditions

A field condition is a statement about a field in a logical record that evaluates as true or false. It is used in the `WHEN`, `NULLIF`, and `DEFAULTIF` clauses.

---

**Note:** If a field used in a clause evaluation has a `NULL` value, then that clause will always evaluate to `FALSE`. This feature is illustrated in [Example 9-5](#).

---

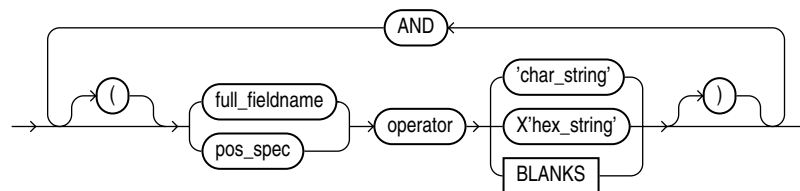
A field condition is similar to the condition in the `CONTINUEIF` clause, with two important differences. First, positions in the field condition refer to the logical record, not to the physical record. Second, you can specify either a position in the logical record or the name of a field in the datafile (including filler fields).

---

**Note:** A field condition cannot be based on fields in a secondary datafile (SDF).

---

The syntax for the `field_condition` clause is as follows:



The syntax for the `pos_spec` clause is as follows:

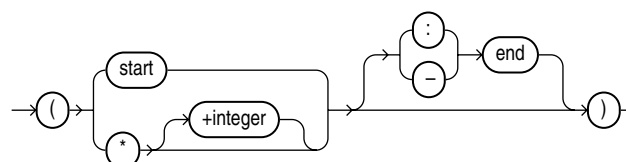


Table 9–4 describes the parameters used for the field condition clause. For a full description of the position specification parameters, see Table 9–1.

**Table 9–4 Parameters for the Field Condition Clause**

Parameter	Description
<i>pos_spec</i>	Specifies the starting and ending position of the comparison field in the logical record. It must be surrounded by parentheses. Either <i>start-end</i> or <i>start:end</i> is acceptable.  The starting location can be specified as a column number, or as * (next column), or as <i>*+n</i> (next column plus an offset).  If you omit an ending position, the length of the field is determined by the length of the comparison string. If the lengths are different, the shorter field is padded. Character strings are padded with blanks, hexadecimal strings with zeros.
<i>start</i>	Specifies the starting position of the comparison field in the logical record.
<i>end</i>	Specifies the ending position of the comparison field in the logical record.
<i>full_fieldname</i>	<i>full_fieldname</i> is the full name of a field specified using dot notation. If the field <i>col2</i> is an attribute of a column object <i>col1</i> , when referring to <i>col2</i> in one of the directives, you must use the notation <i>col1.col2</i> . The column name and the field name referencing or naming the same entity can be different, because the column name never includes the full name of the entity (no dot notation).
<i>operator</i>	A comparison operator for either equal or not equal.
<i>char_string</i>	A string of characters enclosed in single or double quotation marks that is compared to the comparison field. If the comparison is true, the current record is inserted into the table.
<i>X'hex_string'</i>	A string of hexadecimal digits, where each pair of digits corresponds to one byte in the field. It is enclosed in single or double quotation marks. If the comparison is true, the current record is inserted into the table.
BLANKS	Enables you to test a field to see if it consists entirely of blanks. BLANKS is required when you are loading delimited data and you cannot predict the length of the field, or when you use a multibyte character set that has multiple blanks.

## Comparing Fields to BLANKS

The BLANKS parameter makes it possible to determine if a field of unknown length is blank.

For example, use the following clause to load a blank field as null:

```
full_fieldname ... NULLIF column_name=BLANKS
```

The BLANKS parameter recognizes only blanks, not tabs. It can be used in place of a literal string in any field comparison. The condition is true whenever the column is entirely blank.

The BLANKS parameter also works for fixed-length fields. Using it is the same as specifying an appropriately sized literal string of blanks. For example, the following specifications are equivalent:

```
fixed_field CHAR(2) NULLIF fixed_field=BLANKS
```

```
fixed_field CHAR(2) NULLIF fixed_field= " "
```

There can be more than one blank in a multibyte character set. It is a good idea to use the `BLANKS` parameter with these character sets instead of specifying a string of blank characters.

The character string will match only a specific sequence of blank characters, while the `BLANKS` parameter will match combinations of different blank characters. For more information about multibyte character sets, see [Multibyte \(Asian\) Character Sets](#) on page 8-13.

## Comparing Fields to Literals

When a data field is compared to a literal string that is shorter than the data field, the string is padded. Character strings are padded with blanks, for example:

```
NULLIF (1:4)=" "
```

This example compares the data in position 1:4 with 4 blanks. If position 1:4 contains 4 blanks, then the clause evaluates as true.

Hexadecimal strings are padded with hexadecimal zeros, as in the following clause:

```
NULLIF (1:4)=X'FF'
```

This clause compares position 1:4 to hexadecimal 'FF000000'.

## Using the WHEN, NULLIF, and DEFAULTIF Clauses

The following information applies to scalar fields. For nonscalar fields (column objects, LOBs, and collections), the `WHEN`, `NULLIF`, and `DEFAULTIF` clauses are processed differently because nonscalar fields are more complex.

The results of a `WHEN`, `NULLIF`, or `DEFAULTIF` clause can be different depending on whether the clause specifies a field name or a position.

- If the `WHEN`, `NULLIF`, or `DEFAULTIF` clause specifies a field name, SQL\*Loader compares the clause to the evaluated value of the field. The evaluated value takes trimmed whitespace into consideration. See [Trimming Whitespace](#) on page 9-33 for information about trimming blanks and tabs.
- If the `WHEN`, `NULLIF`, or `DEFAULTIF` clause specifies a position, SQL\*Loader compares the clause to the original logical record in the datafile. No whitespace trimming is done on the logical record in that case.

Different results are more likely if the field has whitespace that is trimmed, or if the `WHEN`, `NULLIF`, or `DEFAULTIF` clause contains blanks or tabs or uses the `BLANKS` parameter. If you require the same results for a field specified by name and for the same field specified by position, use the `PRESERVE BLANKS` option. The `PRESERVE BLANKS` option instructs SQL\*Loader not to trim whitespace when it evaluates the values of the fields.

The results of a `WHEN`, `NULLIF`, or `DEFAULTIF` clause are also affected by the order in which SQL\*Loader operates, as described in the following steps. SQL\*Loader performs these steps in order, but it does not always perform all of them. Once a field is set, any remaining steps in the process are ignored. For example, if the field is set in Step 5, SQL\*Loader does not move on to Step 6.

1. SQL\*Loader evaluates the value of each field for the input record and trims any whitespace that should be trimmed (according to existing guidelines for trimming blanks and tabs).
2. For each record, SQL\*Loader evaluates any WHEN clauses for the table.
3. If the record satisfies the WHEN clauses for the table, or no WHEN clauses are specified, SQL\*Loader checks each field for a NULLIF clause.
4. If a NULLIF clause exists, SQL\*Loader evaluates it.
5. If the NULLIF clause is satisfied, SQL\*Loader sets the field to NULL.
6. If the NULLIF clause is not satisfied, or if there is no NULLIF clause, SQL\*Loader checks the length of the field from field evaluation. If the field has a length of 0 from field evaluation (for example, it was a null field, or whitespace trimming resulted in a null field), SQL\*Loader sets the field to NULL. In this case, any DEFAULTIF clause specified for the field is not evaluated.
7. If any specified NULLIF clause is false or there is no NULLIF clause, and if the field does not have a length of 0 from field evaluation, SQL\*Loader checks the field for a DEFAULTIF clause.
8. If a DEFAULTIF clause exists, SQL\*Loader evaluates it.
9. If the DEFAULTIF clause is satisfied, then the field is set to 0 if the field in the datafile is a numeric field. It is set to NULL if the field is not a numeric field. The following fields are numeric fields and will be set to 0 if they satisfy the DEFAULTIF clause:
  - BYTEINT
  - SMALLINT
  - INTEGER
  - FLOAT
  - DOUBLE
  - ZONED
  - (packed) DECIMAL
  - Numeric EXTERNAL (INTEGER, FLOAT, DECIMAL, and ZONED)
10. If the DEFAULTIF clause is not satisfied, or if there is no DEFAULTIF clause, SQL\*Loader sets the field with the evaluated value from Step 1.

The order in which SQL\*Loader operates could cause results that you do not expect. For example, the DEFAULTIF clause may look like it is setting a numeric field to NULL rather than to 0.



---

**Note:** As demonstrated in these steps, the presence of NULLIF and DEFAULTIF clauses results in extra processing that SQL\*Loader must perform. This can affect performance. Note that during Step 1, SQL\*Loader will set a field to NULL if its evaluated length is zero. To improve performance, consider whether it might be possible for you to change your data to take advantage of this. The detection of NULLs as part of Step 1 occurs much more quickly than the processing of a NULLIF or DEFAULTIF clause.

For example, a CHAR (5) will have zero length if it falls off the end of the logical record or if it contains all blanks and blank trimming is in effect. A delimited field will have zero length if there are no characters between the start of the field and the terminator.

Also, for character fields, NULLIF is usually faster to process than DEFAULTIF (the default for character fields is NULL).

---

## Examples of Using the WHEN, NULLIF, and DEFAULTIF Clauses

Example 9–2 through Example 9–5 clarify the results for different situations in which the WHEN, NULLIF, and DEFAULTIF clauses might be used. In the examples, a blank or space is indicated with a period (.). Assume that col1 and col2 are VARCHAR2 (5) columns in the database.

### **Example 9–2** DEFAULTIF Clause Is Not Evaluated

The control file specifies:

```
(col1 POSITION (1:5),
 col2 POSITION (6:8) CHAR INTEGER EXTERNAL DEFAULTIF col1 = 'aname')
```

The datafile contains:

```
aname...
```

In Example 9–2, col1 for the row evaluates to aname. col2 evaluates to NULL with a length of 0 (it is . . . but the trailing blanks are trimmed for a positional field).

When SQL\*Loader determines the final loaded value for col2, it finds no WHEN clause and no NULLIF clause. It then checks the length of the field, which is 0 from field evaluation. Therefore, SQL\*Loader sets the final value for col2 to NULL. The DEFAULTIF clause is not evaluated, and the row is loaded as aname for col1 and NULL for col2.

### **Example 9–3** DEFAULTIF Clause Is Evaluated

The control file specifies:

```
.
.
.
PRESERVE BLANKS
.
.
.
(col1 POSITION (1:5),
 col2 POSITION (6:8) INTEGER EXTERNAL DEFAULTIF col1 = 'aname')
```

The datafile contains:

aname...

In [Example 9-3](#), `col1` for the row again evaluates to `aname`. `col2` evaluates to `'...'` because trailing blanks are not trimmed when `PRESERVE BLANKS` is specified.

When SQL\*Loader determines the final loaded value for `col2`, it finds no `WHEN` clause and no `NULLIF` clause. It then checks the length of the field from field evaluation, which is 3, not 0.

Then SQL\*Loader evaluates the `DEFAULTIF` clause, which evaluates to true because `col1` is `aname`, which is the same as `aname`.

Because `col2` is a numeric field, SQL\*Loader sets the final value for `col2` to 0. The row is loaded as `aname` for `col1` and as 0 for `col2`.

#### **Example 9-4 DEFAULTIF Clause Specifies a Position**

The control file specifies:

```
(col1 POSITION (1:5) ,
 col2 POSITION (6:8) INTEGER EXTERNAL DEFAULTIF (1:5) = BLANKS)
```

The datafile contains:

```
.....123
```

In [Example 9-4](#), `col1` for the row evaluates to `NULL` with a length of 0 (it is `.....` but the trailing blanks are trimmed). `col2` evaluates to 123.

When SQL\*Loader sets the final loaded value for `col2`, it finds no `WHEN` clause and no `NULLIF` clause. It then checks the length of the field from field evaluation, which is 3, not 0.

Then SQL\*Loader evaluates the `DEFAULTIF` clause. It compares `(1:5)` which is `.....` to `BLANKS`, which evaluates to true. Therefore, because `col2` is a numeric field (`integer EXTERNAL` is numeric), SQL\*Loader sets the final value for `col2` to 0. The row is loaded as `NULL` for `col1` and 0 for `col2`.

#### **Example 9-5 DEFAULTIF Clause Specifies a Field Name**

The control file specifies:

```
(col1 POSITION (1:5) ,
 col2 POSITION(6:8) INTEGER EXTERNAL DEFAULTIF col1 = BLANKS)
```

The datafile contains:

```
.....123
```

In [Example 9-5](#), `col1` for the row evaluates to `NULL` with a length of 0 (it is `.....` but the trailing blanks are trimmed). `col2` evaluates to 123.

When SQL\*Loader determines the final value for `col2`, it finds no `WHEN` clause and no `NULLIF` clause. It then checks the length of the field from field evaluation, which is 3, not 0.

Then SQL\*Loader evaluates the `DEFAULTIF` clause. As part of the evaluation, it checks to see that `col1` is `NULL` from field evaluation. It is `NULL`, so the `DEFAULTIF` clause evaluates to false. Therefore, SQL\*Loader sets the final value for `col2` to 123, its original value from field evaluation. The row is loaded as `NULL` for `col1` and 123 for `col2`.

## Loading Data Across Different Platforms

When a datafile created on one platform is to be loaded on a different platform, the data must be written in a form that the target system can read. For example, if the source system has a native, floating-point representation that uses 16 bytes, and the target system's floating-point numbers are 12 bytes, the target system cannot directly read data generated on the source system.

The best solution is to load data across an Oracle Net database link, taking advantage of the automatic conversion of datatypes. This is the recommended approach, whenever feasible, and means that SQL\*Loader must be run on the source system.

Problems with interplatform loads typically occur with *native* datatypes. In some situations, it is possible to avoid problems by lengthening a field by padding it with zeros, or to read only part of the field to shorten it (for example, when an 8-byte integer is to be read on a system that uses 4-byte integers, or the reverse). Note, however, that incompatible datatype implementation may prevent this.

If you cannot use an Oracle Net database link and the datafile must be accessed by SQL\*Loader running on the target system, it is advisable to use only the portable SQL\*Loader datatypes (for example, CHAR, DATE, VARCHARC, and numeric EXTERNAL). Datafiles written using these datatypes may be longer than those written with native datatypes. They may take more time to load, but they transport more readily across platforms.

If you know in advance that the byte ordering schemes or native integer lengths differ between the platform on which the input data will be created and the platform on which SQL\*loader will be run, then investigate the possible use of the appropriate technique to indicate the byte order of the data or the length of the native integer. Possible techniques for indicating the byte order are to use the BYTEORDER parameter or to place a byte-order mark (BOM) in the file. Both methods are described in [Byte Ordering](#) on page 9-29. It may then be possible to eliminate the incompatibilities and achieve a successful cross-platform data load. If the byte order is different from the SQL\*Loader default, then you must indicate a byte order.

## Byte Ordering

---

---

**Note:** The information in this section is only applicable if you are planning to create input data on a system that has a different byte-ordering scheme than the system on which SQL\*Loader will be run. Otherwise, you can skip this section.

---

---

SQL\*Loader can load data from a datafile that was created on a system whose byte ordering is different from the byte ordering on the system where SQL\*Loader is running, even if the datafile contains certain nonportable datatypes.

By default, SQL\*Loader uses the byte order of the system where it is running as the byte order for all datafiles. For example, on a Sun Solaris system, SQL\*Loader uses big-endian byte order. On an Intel or an Intel-compatible PC, SQL\*Loader uses little-endian byte order.

Byte order affects the results when data is written and read an even number of bytes at a time (typically 2 bytes, 4 bytes, or 8 bytes). The following are some examples of this:

- The 2-byte integer value 1 is written as 0x0001 on a big-endian system and as 0x0100 on a little-endian system.

- The 4-byte integer 66051 is written as 0x00010203 on a big-endian system and as 0x03020100 on a little-endian system.

Byte order also affects character data in the UTF16 character set if it is written and read as 2-byte entities. For example, the character 'a' (0x61 in ASCII) is written as 0x0061 in UTF16 on a big-endian system, but as 0x6100 on a little-endian system.

All Oracle-supported character sets, except UTF16, are written one byte at a time. So, even for multibyte character sets such as UTF8, the characters are written and read the same way on all systems, regardless of the byte order of the system. Therefore, data in the UTF16 character set is nonportable because it is byte-order dependent. Data in all other Oracle-supported character sets is portable.

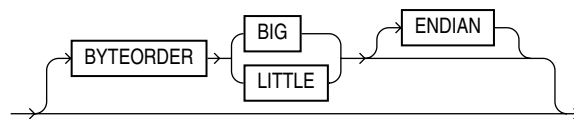
Byte order in a datafile is only an issue if the datafile that contains the byte-order-dependent data is created on a system that has a different byte order from the system on which SQL\*Loader is running. If SQL\*Loader knows the byte order of the data, it swaps the bytes as necessary to ensure that the data is loaded correctly in the target database. Byte swapping means that data in big-endian format is converted to little-endian format, or the reverse.

To indicate byte order of the data to SQL\*Loader, you can use the `BYTEORDER` parameter, or you can place a byte-order mark (BOM) in the file. If you do not use one of these techniques, SQL\*Loader will not correctly load the data into the datafile.

**See Also:** Case study 11, Loading Data in the Unicode Character Set, for an example of how SQL\*Loader handles byte swapping. (See [SQL\\*Loader Case Studies](#) on page 6-12 for information on how to access case studies.)

## Specifying Byte Order

To specify the byte order of data in the input datafiles, use the following syntax in the SQL\*Loader control file:



The `BYTEORDER` parameter has the following characteristics:

- `BYTEORDER` is placed after the `LENGTH` parameter in the SQL\*Loader control file.
- It is possible to specify a different byte order for different datafiles. However, the `BYTEORDER` specification before the `INFILE` parameters applies to the entire list of primary datafiles.
- The `BYTEORDER` specification for the primary datafiles is also used as the default for `LOBFILES` and `SDFs`. To override this default, specify `BYTEORDER` with the `LOBFILE` or `SDF` specification.
- The `BYTEORDER` parameter is not applicable to data contained within the control file itself.
- The `BYTEORDER` parameter applies to the following:
  - Binary `INTEGER` and `SMALLINT` data
  - Binary lengths in varying-length fields (that is, for the `VARCHAR`, `VARGRAPHIC`, `VARRAW`, and `LONG VARRAW` datatypes)

- Character data for datafiles in the UTF16 character set
- FLOAT and DOUBLE datatypes, if the system where the data was written has a compatible floating-point representation with that on the system where SQL\*Loader is running
- The BYTEORDER parameter does not apply to any of the following:
  - Raw datatypes (RAW, VARRAW, or VARRAWC)
  - Graphic datatypes (GRAPHIC, VARGRAPHIC, or GRAPHIC EXTERNAL)
  - Character data for datafiles in any character set other than UTF16
  - ZONED or (packed) DECIMAL datatypes

## Using Byte Order Marks (BOMs)

Datafiles that use a Unicode encoding (UTF-16 or UTF-8) may contain a byte-order mark (BOM) in the first few bytes of the file. For a datafile that uses the character set UTF16, the values {0xFE,0xFF} in the first two bytes of the file are the BOM indicating that the file contains big-endian data. The values {0xFF,0xFE} are the BOM indicating that the file contains little-endian data.

If the first primary datafile uses the UTF16 character set and it also begins with a BOM, that mark is read and interpreted to determine the byte order for all primary datafiles. SQL\*Loader reads and interprets the BOM, skips it, and begins processing data with the byte immediately after the BOM. The BOM setting overrides any BYTEORDER specification for the first primary datafile. BOMs in datafiles other than the first primary datafile are read and used for checking for byte-order conflicts only. They do not change the byte-order setting that SQL\*Loader uses in processing the datafile.

In summary, the precedence of the byte-order indicators for the first primary datafile is as follows:

- BOM in the first primary datafile, if the datafile uses a Unicode character set that is byte-order dependent (UTF16) and a BOM is present
- BYTEORDER parameter value, if specified before the INFILE parameters
- The byte order of the system where SQL\*Loader is running

For a datafile that uses a UTF8 character set, a BOM of {0xEF,0xBB,0xBF} in the first 3 bytes indicates that the file contains UTF8 data. It does not indicate the byte order of the data, because data in UTF8 is not byte-order dependent. If SQL\*Loader detects a UTF8 BOM, it skips it but does not change any byte-order settings for processing the datafiles.

SQL\*Loader first establishes a byte-order setting for the first primary datafile using the precedence order just defined. This byte-order setting is used for all primary datafiles. If another primary datafile uses the character set UTF16 and also contains a BOM, the BOM value is compared to the byte-order setting established for the first primary datafile. If the BOM value matches the byte-order setting of the first primary datafile, SQL\*Loader skips the BOM, and uses that byte-order setting to begin processing data with the byte immediately after the BOM. If the BOM value does not match the byte-order setting established for the first primary datafile, then SQL\*Loader issues an error message and stops processing.

If any LOBFILES or secondary datafiles are specified in the control file, SQL\*Loader establishes a byte-order setting for each LOBFILE and secondary datafile (SDF) when it is ready to process the file. The default byte-order setting for LOBFILES and SDFs is the byte-order setting established for the first primary datafile. This is overridden if

the `BYTEORDER` parameter is specified with a `LOBFILE` or `SDF`. In either case, if the `LOBFILE` or `SDF` uses the UTF16 character set and contains a BOM, the BOM value is compared to the byte-order setting for the file. If the BOM value matches the byte-order setting for the file, SQL\*Loader skips the BOM, and uses that byte-order setting to begin processing data with the byte immediately after the BOM. If the BOM value does not match, then SQL\*Loader issues an error message and stops processing.

In summary, the precedence of the byte-order indicators for `LOBFILES` and `SDFs` is as follows:

- `BYTEORDER` parameter value specified with the `LOBFILE` or `SDF`
- The byte-order setting established for the first primary datafile

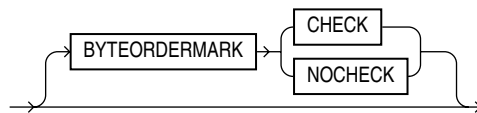
---

**Note:** If the character set of your datafile is a unicode character set and there is a byte-order mark in the first few bytes of the file, do not use the `SKIP` parameter. If you do, the byte-order mark will not be read and interpreted as a byte-order mark.

---

### Suppressing Checks for BOMs

A datafile in a Unicode character set may contain binary data that matches the BOM in the first bytes of the file. For example the integer(2) value `0xFEFF` = 65279 decimal matches the big-endian BOM in UTF16. In that case, you can tell SQL\*Loader to read the first bytes of the datafile as data and not check for a BOM by specifying the `BYTEORDERMARK` parameter with the value `NOCHECK`. The syntax for the `BYTEORDERMARK` parameter is:



`BYTEORDERMARK NOCHECK` indicates that SQL\*Loader should not check for a BOM and should read all the data in the datafile as data.

`BYTEORDERMARK CHECK` tells SQL\*Loader to check for a BOM. This is the default behavior for a datafile in a Unicode character set. But this specification may be used in the control file for clarification. It is an error to specify `BYTEORDERMARK CHECK` for a datafile that uses a non-Unicode character set.

The `BYTEORDERMARK` parameter has the following characteristics:

- It is placed after the optional `BYTEORDER` parameter in the SQL\*Loader control file.
- It applies to the syntax specification for primary datafiles, as well as to `LOBFILES` and secondary datafiles (`SDFs`).
- It is possible to specify a different `BYTEORDERMARK` value for different datafiles; however, the `BYTEORDERMARK` specification before the `INFILE` parameters applies to the entire list of primary datafiles.
- The `BYTEORDERMARK` specification for the primary datafiles is also used as the default for `LOBFILES` and `SDFs`, except that the value `CHECK` is ignored in this case if the `LOBFILE` or `SDF` uses a non-Unicode character set. This default setting for `LOBFILES` and secondary datafiles can be overridden by specifying `BYTEORDERMARK` with the `LOBFILE` or `SDF` specification.

## Loading All-Blank Fields

Fields that are totally blank cause the record to be rejected. To load one of these fields as `NULL`, use the `NULLIF` clause with the `BLANKS` parameter.

If an all-blank `CHAR` field is surrounded by enclosure delimiters, then the blanks within the enclosures are loaded. Otherwise, the field is loaded as `NULL`.

A `DATE` or numeric field that consists entirely of blanks is loaded as a `NULL` field.

### See Also:

- Case study 6, Loading Data Using the Direct Path Load Method, for an example of how to load all-blank fields as `NULL` with the `NULLIF` clause. (See [SQL\\*Loader Case Studies](#) on page 6-12 for information on how to access case studies.)
- [Trimming Whitespace](#) on page 9-33
- [How the PRESERVE BLANKS Option Affects Whitespace Trimming](#) on page 9-39

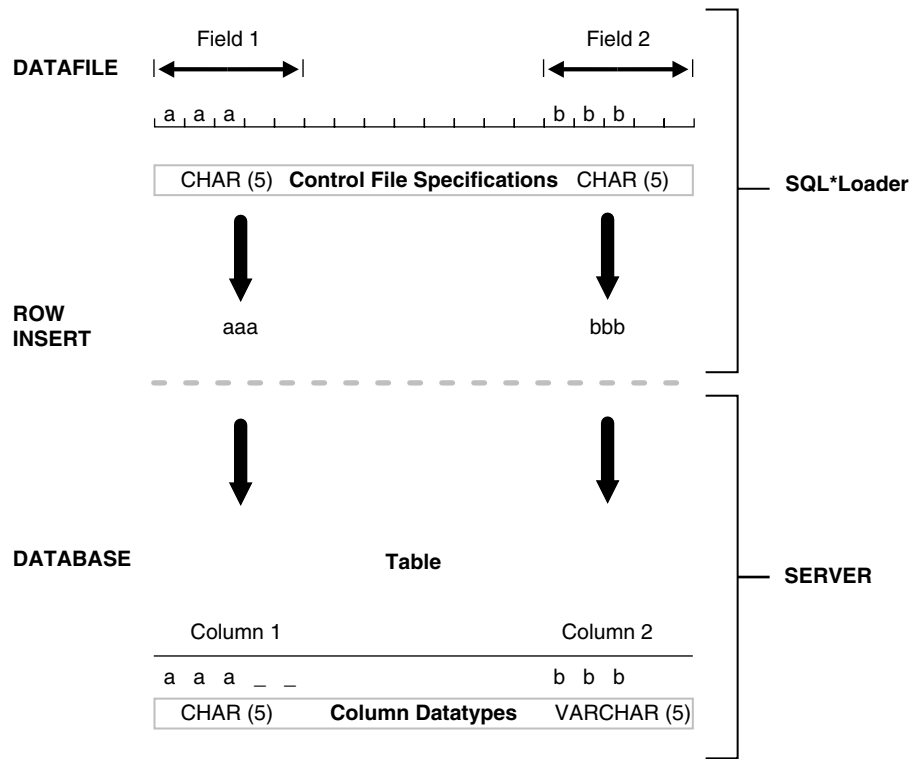
## Trimming Whitespace

Blanks, tabs, and other nonprinting characters (such as carriage returns and line feeds) constitute whitespace. Leading whitespace occurs at the beginning of a field. Trailing whitespace occurs at the end of a field. Depending on how the field is specified, whitespace may or may not be included when the field is inserted into the database. This is illustrated in [Figure 9-1](#), where two `CHAR` fields are defined for a data record.

The field specifications are contained in the control file. The control file `CHAR` specification is not the same as the database `CHAR` specification. A data field defined as `CHAR` in the control file merely tells SQL\*Loader how to create the row insert. The data could then be inserted into a `CHAR`, `VARCHAR2`, `NCHAR`, `NVARCHAR`, or even a `NUMBER` or `DATE` column in the database, with the Oracle database handling any necessary conversions.

By default, SQL\*Loader removes trailing spaces from `CHAR` data before passing it to the database. So, in [Figure 9-1](#), both Field 1 and Field 2 are passed to the database as 3-byte fields. However, when the data is inserted into the table, there is a difference.

**Figure 9–1 Example of Field Conversion**



Column 1 is defined in the database as a fixed-length CHAR column of length 5. So the data (aaa) is left-justified in that column, which remains 5 bytes wide. The extra space on the right is padded with blanks. Column 2, however, is defined as a varying-length field with a *maximum* length of 5 bytes. The data for that column (bbb) is left-justified as well, but the length remains 3 bytes.

Table 9–5 summarizes when and how whitespace is removed from input data fields when PRESERVE BLANKS is not specified. See [How the PRESERVE BLANKS Option Affects Whitespace Trimming](#) on page 9-39 for details on how to prevent whitespace trimming.



**Table 9–5 Behavior Summary for Trimming Whitespace**

Specification	Data	Result	Leading Whitespace Present <sup>1</sup>	Trailing Whitespace Present <sup>1</sup>
Predetermined size	__aa__	__aa	Yes	No
Terminated	__aa_	__aa__	Yes	Yes <sup>2</sup>
Enclosed	"__aa__"	__aa__	Yes	Yes
Terminated and enclosed	"__aa_"	__aa__	Yes	Yes
Optional enclosure (present)	"__aa_"	__aa__	Yes	Yes
Optional enclosure (absent)	__aa_	aa__	No	Yes
Previous field terminated by whitespace	__aa__	aa <sup>3</sup>	No	<sup>3</sup>

<sup>1</sup> When an all-blank field is trimmed, its value is NULL.

<sup>2</sup> Except for fields that are terminated by whitespace.

<sup>3</sup> Presence of trailing whitespace depends on the current field's specification, as shown by the other entries in the table.

The rest of this section discusses the following topics with regard to trimming whitespace:

- [Datatypes for Which Whitespace Can Be Trimmed](#)
- [Specifying Field Length for Datatypes for Which Whitespace Can Be Trimmed](#)
- [Relative Positioning of Fields](#)
- [Leading Whitespace](#)
- [Trimming Trailing Whitespace](#)
- [Trimming Enclosed Fields](#)

## Datatypes for Which Whitespace Can Be Trimmed

The information in this section applies only to fields specified with one of the character-data datatypes:

- CHAR datatype
- Datetime and interval datatypes
- Numeric EXTERNAL datatypes:
  - INTEGER EXTERNAL
  - FLOAT EXTERNAL
  - (packed) DECIMAL EXTERNAL
  - ZONED (decimal) EXTERNAL

---

**Note:** Although VARCHAR and VARCHARC fields also contain character data, these fields are never trimmed. These fields include all whitespace that is part of the field in the datafile.

---

## Specifying Field Length for Datatypes for Which Whitespace Can Be Trimmed

There are two ways to specify field length. If a field has a constant length that is defined in the control file with a position specification or the datatype and length, then it has a predetermined size. If a field's length is not known in advance, but depends on indicators in the record, then the field is delimited, using either enclosure or termination delimiters.

If a position specification with start and end values is defined for a field that also has enclosure or termination delimiters defined, only the position specification has any effect. The enclosure and termination delimiters are ignored.

### Predetermined Size Fields

Fields that have a predetermined size are specified with a starting position and ending position, or with a length, as in the following examples:

```
loc POSITION(19:31)
loc CHAR(14)
```

In the second case, even though the exact position of the field is not specified, the length of the field is predetermined.

### Delimited Fields

Delimiters are characters that demarcate field boundaries.

Enclosure delimiters surround a field, like the quotation marks in the following example, where "\_\_\_" represents blanks or tabs:

```
"__aa__"
```

Termination delimiters signal the end of a field, like the comma in the following example:

```
__aa__,
```

Delimiters are specified with the control clauses `TERMINATED BY` and `ENCLOSED BY`, as shown in the following example:

```
loc TERMINATED BY "." OPTIONALLY ENCLOSED BY '|'
```

## Relative Positioning of Fields

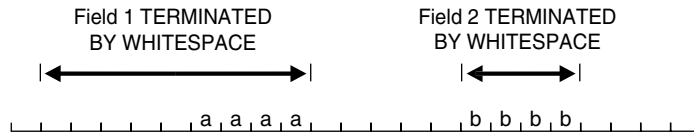
This section describes how SQL\*Loader determines the starting position of a field in the following situations:

- [No Start Position Specified for a Field](#)
- [Previous Field Terminated by a Delimiter](#)
- [Previous Field Has Both Enclosure and Termination Delimiters](#)

### No Start Position Specified for a Field

When a starting position is not specified for a field, it begins immediately after the end of the previous field. [Figure 9-2](#) illustrates this situation when the previous field (Field 1) has a predetermined size.



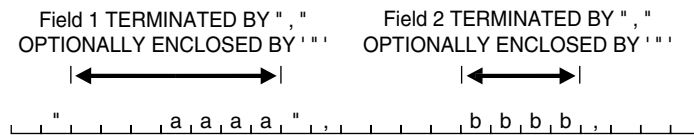
**Figure 9-5 Fields Terminated by Whitespace**

This situation occurs when the previous field is explicitly specified with the `TERMINATED BY WHITESPACE` clause, as shown in the example. It also occurs when you use the global `FIELDS TERMINATED BY WHITESPACE` clause.

### Optional Enclosure Delimiters

Leading whitespace is also removed from a field when optional enclosure delimiters are specified but not present.

Whenever optional enclosure delimiters are specified, SQL\*Loader scans forward, looking for the first enclosure delimiter. If an enclosure delimiter is not found, SQL\*Loader skips over whitespace, eliminating it from the field. The first nonwhitespace character signals the start of the field. This situation is shown in Field 2 in Figure 9-6. (In Field 1 the whitespace is included because SQL\*Loader found enclosure delimiters for the field.)

**Figure 9-6 Fields Terminated by Optional Enclosure Delimiters**

Unlike the case when the previous field is `TERMINATED BY WHITESPACE`, this specification removes leading whitespace even when a starting position is specified for the current field.

---

**Note:** If enclosure delimiters are present, leading whitespace after the initial enclosure delimiter is kept, but whitespace before this delimiter is discarded. See the first quotation mark in Field 1, Figure 9-6.

---

## Trimming Trailing Whitespace

Trailing whitespace is always trimmed from character-data fields that have a predetermined size. These are the only fields for which trailing whitespace is always trimmed.

## Trimming Enclosed Fields

If a field is enclosed, or terminated and enclosed, like the first field shown in Figure 9-6, then any whitespace outside the enclosure delimiters is not part of the field. Any whitespace between the enclosure delimiters belongs to the field, whether it is leading or trailing whitespace.

## How the PRESERVE BLANKS Option Affects Whitespace Trimming

To prevent whitespace trimming in *all* CHAR, DATE, and numeric EXTERNAL fields, you specify PRESERVE BLANKS as part of the LOAD statement in the control file. However, there may be times when you do not want to preserve blanks for *all* CHAR, DATE, and numeric EXTERNAL fields. Therefore, SQL\*Loader also enables you to specify PRESERVE BLANKS as part of the datatype specification for individual fields, rather than specifying it globally as part of the LOAD statement.

In the following example, assume that PRESERVE BLANKS has not been specified as part of the LOAD statement, but you want the c1 field to default to zero when blanks are present. You can achieve this by specifying PRESERVE BLANKS on the individual field. Only that field is affected; blanks will still be removed on other fields.

```
c1 INTEGER EXTERNAL(10) PRESERVE BLANKS DEFAULTIF c1=BLANKS
```

In this example, if PRESERVE BLANKS were not specified for the field, it would result in the field being improperly loaded as NULL (instead of as 0).

There may be times when you want to specify PRESERVE BLANKS as an option to the LOAD statement and have it apply to most CHAR, DATE, and numeric EXTERNAL fields. You can override it for an individual field by specifying NO PRESERVE BLANKS as part of the datatype specification for that field, as follows:

```
c1 INTEGER EXTERNAL(10) NO PRESERVE BLANKS
```

## How [NO] PRESERVE BLANKS Works with Delimiter Clauses

The PRESERVE BLANKS option is affected by the presence of the delimiter clauses, as follows:

- Leading whitespace is left intact when optional enclosure delimiters are not present
- Trailing whitespace is left intact when fields are specified with a predetermined size

For example, consider the following field, where underscores represent blanks:

```
__aa__
```

Suppose this field is loaded with the following delimiter clause:

```
TERMINATED BY ',' OPTIONALLY ENCLOSED BY ''''
```

In such a case, if PRESERVE BLANKS is specified, then both the leading whitespace and the trailing whitespace are retained. If PRESERVE BLANKS is not specified, then the leading whitespace is trimmed.

Now suppose the field is loaded with the following clause:

```
TERMINATED BY WHITESPACE
```

In such a case, if PRESERVE BLANKS is specified, it does not retain the space at the beginning of the next field, unless that field is specified with a POSITION clause that includes some of the whitespace. Otherwise, SQL\*Loader scans past all whitespace at the end of the previous field until it finds a nonblank, nontab character.

**See Also:** [Trimming Whitespace](#) on page 9-33

## Applying SQL Operators to Fields

A wide variety of SQL operators can be applied to field data with the SQL string. This string can contain any combination of SQL expressions that are recognized by the Oracle database as valid for the `VALUES` clause of an `INSERT` statement. In general, any SQL function that returns a single value that is compatible with the target column's datatype can be used. SQL strings can be applied to simple scalar column types as well as to user-defined complex types such as column object and collections. See the information about expressions in the *Oracle Database SQL Language Reference*.

The column name and the name of the column in a SQL string bind variable must, with the interpretation of SQL identifier rules, correspond to the same column. But the two names do not necessarily have to be written exactly the same way, as in the following example of specifying the control file:

```
LOAD DATA
INFILE *
APPEND INTO TABLE XXX
( "Last"   position(1:7)   char   "UPPER(:\"Last\")"
  first   position(8:15)  char   "UPPER(:first || :FIRST || :\"FIRST\")"
)
BEGINDATA
Phil Grant
Jason Taylor
```

Note the following about the preceding example:

- If, during table creation, a column identifier is declared using double quotation marks because it contains lowercase and/or special-case letters (as in the column named `"Last"` above), then the column name in the bind variable must exactly match the column name used in the `CREATE TABLE` statement.
- If a column identifier is declared without double quotation marks during table creation (as in the column name `first` above), then because `first`, `FIRST`, and `"FIRST"` all point to the same column, any of these written formats in a SQL string bind variable would be acceptable.

The following requirements and restrictions apply when you are using SQL strings:

- If your control file specifies character input that has an associated SQL string, `SQL*Loader` makes no attempt to modify the data. This is because `SQL*Loader` assumes that character input data that is modified using a SQL operator will yield results that are correct for database insertion.
- The SQL string appears after any other specifications for a given column.
- The SQL string must be enclosed in double quotation marks.
- To enclose a column name in quotation marks within a SQL string, you must use escape characters.

In the preceding example, `Last` is enclosed in double quotation marks to preserve the mixed case, and the double quotation marks necessitate the use of the backslash (escape) character.

- If a SQL string contains a column name that references a column object attribute, then the full object attribute name must be used in the bind variable. Each attribute name in the full name is an individual identifier. Each identifier is subject to the SQL identifier quoting rules, independent of the other identifiers in the full name. For example, suppose you have a column object named `CHILD` with an attribute name of `"HEIGHT_%TILE"`. (Note that the attribute name is in double

quotation marks.) To use the full object attribute name in a bind variable, any one of the following formats would work:

- :CHILD.\"HEIGHT\_%TILE\"
- :child.\"HEIGHT\_%TILE\"

Enclosing the full name (:\"CHILD.HEIGHT\_%TILE\") generates a warning message that the quoting rule on an object attribute name used in a bind variable has changed. The warning is only to suggest that the bind variable be written correctly; it will not cause the load to abort. The quoting rule was changed because enclosing the full name in quotation marks would have caused SQL to interpret the name as one identifier rather than a full column object attribute name consisting of multiple identifiers.

- The SQL string is evaluated after any NULLIF or DEFAULTIF clauses, but before a date mask.
- If the Oracle database does not recognize the string, the load terminates in error. If the string is recognized, but causes a database error, the row that caused the error is rejected.
- SQL strings are required when using the EXPRESSION parameter in a field specification.
- The SQL string cannot reference fields that are loaded using OID, SID, REF, or BFILE. Also, it cannot reference filler fields.
- In direct path mode, a SQL string cannot reference a VARRAY, nested table, or LOB column. This also includes a VARRAY, nested table, or LOB column that is an attribute of a column object.
- The SQL string cannot be used on RECNUM, SEQUENCE, CONSTANT, or SYSDATE fields.
- The SQL string cannot be used on LOBs, BFILES, XML columns, or a file that is an element of a collection.
- In direct path mode, the final result that is returned after evaluation of the expression in the SQL string must be a scalar datatype. That is, the expression may not return an object or collection datatype when performing a direct path load.

## Referencing Fields

To refer to fields in the record, precede the field name with a colon (:). Field values from the current record are substituted. A field name preceded by a colon (:) in a SQL string is also referred to as a bind variable. Note that bind variables enclosed in single quotation marks are treated as text literals, *not* as bind variables.

The following example illustrates how a reference is made to both the current field and to other fields in the control file. It also illustrates how enclosing bind variables in single quotation marks causes them to be treated as text literals. Be sure to read the notes following this example to help you fully understand the concepts it illustrates.

```
LOAD DATA
INFILE *
APPEND INTO TABLE YYY
(
  field1 POSITION(1:6) CHAR "LOWER(:field1)"
  field2 CHAR TERMINATED BY ','
      NULLIF ((1) = 'a') DEFAULTIF ((1) = 'b')
      "RTRIM(:field2)"
```

```

field3 CHAR(7) "TRANSLATE(:field3, ':field1', ':1')",
field4 COLUMN OBJECT
(
  attr1 CHAR(3) "UPPER(:field4.attr3)",
  attr2 CHAR(2),
  attr3 CHAR(3) ":field4.attr1 + 1"
),
field5 EXPRESSION "MYFUNC(:FIELD4, SYSDATE)"
)
BEGINDATA
ABCDEF1234511 ,:field1500YYabc
abcDEF67890 ,:field2600ZZghl

```

### Notes About This Example:

- In the following line, `:field1` is *not* enclosed in single quotation marks and is therefore interpreted as a bind variable:

```
field1 POSITION(1:6) CHAR "LOWER(:field1)"
```

- In the following line, `' :field1 '` and `' :1 '` are enclosed in single quotation marks and are therefore treated as text literals and passed unchanged to the `TRANSLATE` function:

```
field3 CHAR(7) "TRANSLATE(:field3, ':field1', ':1')"
```

For more information about the use of quotation marks inside quoted strings, see [Specifying Filenames and Object Names](#) on page 8-4.

- For each input record read, the value of the field referenced by the bind variable will be substituted for the bind variable. For example, the value `ABCDEF` in the first record is mapped to the first field `:field1`. This value is then passed as an argument to the `LOWER` function.
- A bind variable in a SQL string need not reference the current field. In the preceding example, the bind variable in the SQL string for field `FIELD4.ATTR1` references field `FIELD4.ATTR3`. The field `FIELD4.ATTR1` is still mapped to the values 500 and 600 in the input records, but the final values stored in its corresponding columns are `ABC` and `GHL`.
- `field5` is not mapped to any field in the input record. The value that is stored in the target column is the result of executing the `MYFUNC` PL/SQL function, which takes two arguments. The use of the `EXPRESSION` parameter requires that a SQL string be used to compute the final value of the column because no input data is mapped to the field.

## Common Uses of SQL Operators in Field Specifications

SQL operators are commonly used for the following tasks:

- Loading external data with an implied decimal point:

```
field1 POSITION(1:9) DECIMAL EXTERNAL(8) ":field1/1000"
```

- Truncating fields that could be too long:

```
field1 CHAR TERMINATED BY "," "SUBSTR(:field1, 1, 10)"
```

## Combinations of SQL Operators

Multiple operators can also be combined, as in the following examples:



```

field1 POSITION(*+3) INTEGER EXTERNAL
      "TRUNC(RPAD(:field1,6,'0'), -2)"
field1 POSITION(1:8) INTEGER EXTERNAL
      "TRANSLATE(RTRIM(:field1), 'N/A', '0')"
field1 CHAR(10)
      "NVL( LTRIM(RTRIM(:field1)), 'unknown' )"

```

## Using SQL Strings with a Date Mask

When a SQL string is used with a date mask, the date mask is evaluated after the SQL string. Consider a field specified as follows:

```
field1 DATE "dd-mon-yy" "RTRIM(:field1)"
```

SQL\*Loader internally generates and inserts the following:

```
TO_DATE(RTRIM(<field1_value>), 'dd-mon-yyyy')
```

Note that when using the DATE field datatype, it is not possible to have a SQL string without a date mask. This is because SQL\*Loader assumes that the first quoted string it finds after the DATE parameter is a date mask. For instance, the following field specification would result in an error (ORA-01821: date format not recognized):

```
field1 DATE "RTRIM(TO_DATE(:field1, 'dd-mon-yyyy'))"
```

In this case, a simple workaround is to use the CHAR datatype.

## Interpreting Formatted Fields

It is possible to use the TO\_CHAR operator to store formatted dates and numbers. For example:

```
field1 ... "TO_CHAR(:field1, '$09999.99')"
```

This example could store numeric input data in formatted form, where `field1` is a character column in the database. This field would be stored with the formatting characters (dollar sign, period, and so on) already in place.

You have even more flexibility, however, if you store such values as numeric quantities or dates. You can then apply arithmetic functions to the values in the database, and still select formatted values for your reports.

An example of using the SQL string to load data from a formatted report is shown in case study 7, *Extracting Data from a Formatted Report*. (See [SQL\\*Loader Case Studies](#) on page 6-12 for information on how to access case studies.)

## Using SQL Strings to Load the ANYDATA Database Type

The ANYDATA database type can contain data of different types. To load the ANYDATA type using SQL\*loader, it must be explicitly constructed by using a function call. The function is invoked using support for SQL strings as has been described in this section.

For example, suppose you have a table with a column named `miscellaneous` which is of type ANYDATA. You could load the column by doing the following, which would create an ANYDATA type containing a number.

```

LOAD DATA
INFILE *
APPEND INTO TABLE ORDERS
(
miscellaneous CHAR "SYS.ANYDATA.CONVERTNUMBER(:miscellaneous)"

```

```
)  
BEGINDATA  
4
```

There can also be more complex situations in which you create an `ANYDATA` type that contains a different type depending upon the values in the record. To do this, you could write your own PL/SQL function that would determine what type should be in the `ANYDATA` type, based on the value in the record, and then call the appropriate `ANYDATA.Convert*()` function to create it.

**See Also:**

- *Oracle Database SQL Language Reference* for more information about the `ANYDATA` database type
- *Oracle Database PL/SQL Packages and Types Reference* for more information about using `ANYDATA` with PL/SQL

## Using SQL\*Loader to Generate Data for Input

The parameters described in this section provide the means for SQL\*Loader to generate the data stored in the database record, rather than reading it from a datafile. The following parameters are described:

- [CONSTANT Parameter](#)
- [EXPRESSION Parameter](#)
- [RECNUM Parameter](#)
- [SYSDATE Parameter](#)
- [SEQUENCE Parameter](#)

## Loading Data Without Files

It is possible to use SQL\*Loader to generate data by specifying only sequences, record numbers, system dates, constants, and SQL string expressions as field specifications.

SQL\*Loader inserts as many records as are specified by the `LOAD` statement. The `SKIP` parameter is not permitted in this situation.

SQL\*Loader is optimized for this case. Whenever SQL\*Loader detects that *only* generated specifications are used, it ignores any specified datafile—no read I/O is performed.

In addition, no memory is required for a bind array. If there are any `WHEN` clauses in the control file, SQL\*Loader assumes that data evaluation is necessary, and input records are read.

## Setting a Column to a Constant Value

This is the simplest form of generated data. It does not vary during the load or between loads.

### **CONSTANT Parameter**

To set a column to a constant value, use `CONSTANT` followed by a value:

```
CONSTANT value
```

CONSTANT data is interpreted by SQL\*Loader as character input. It is converted, as necessary, to the database column type.

You may enclose the value within quotation marks, and you must do so if it contains whitespace or reserved words. Be sure to specify a legal value for the target column. If the value is bad, every record is rejected.

Numeric values larger than  $2^{32} - 1$  (4,294,967,295) must be enclosed in quotation marks.

---



---

**Note:** Do not use the CONSTANT parameter to set a column to null. To set a column to null, do not specify that column at all. Oracle automatically sets that column to null when loading the record. The combination of CONSTANT and a value is a complete column specification.

---



---

## Setting a Column to an Expression Value

Use the EXPRESSION parameter after a column name to set that column to the value returned by a SQL operator or specially written PL/SQL function. The operator or function is indicated in a SQL string that follows the EXPRESSION parameter. Any arbitrary expression may be used in this context provided that any parameters required for the operator or function are correctly specified and that the result returned by the operator or function is compatible with the datatype of the column being loaded.

### EXPRESSION Parameter

The combination of column name, EXPRESSION parameter, and a SQL string is a complete field specification.

```
column_name EXPRESSION "SQL string"
```

## Setting a Column to the Datafile Record Number

Use the RECNUM parameter after a column name to set that column to the number of the logical record from which that record was loaded. Records are counted sequentially from the beginning of the first datafile, starting with record 1. RECNUM is incremented as each logical record is assembled. Thus it increments for records that are discarded, skipped, rejected, or loaded. If you use the option SKIP=10, the first record loaded has a RECNUM of 11.

### RECNUM Parameter

The combination of column name and RECNUM is a complete column specification.

```
column_name RECNUM
```

## Setting a Column to the Current Date

A column specified with SYSDATE gets the current system date, as defined by the SQL language SYSDATE parameter. See the section on the DATE datatype in *Oracle Database SQL Language Reference*.

## SYSDATE Parameter

The combination of column name and the `SYSDATE` parameter is a complete column specification.

```
column_name SYSDATE
```

The database column must be of type `CHAR` or `DATE`. If the column is of type `CHAR`, then the date is loaded in the form 'dd-mon-yy.' After the load, it can be loaded only in that form. If the system date is loaded into a `DATE` column, then it can be loaded in a variety of forms that include the time and the date.

A new system date/time is used for each array of records inserted in a conventional path load and for each block of records loaded during a direct path load.

## Setting a Column to a Unique Sequence Number

The `SEQUENCE` parameter ensures a unique value for a particular column. `SEQUENCE` increments for each record that is loaded or rejected. It does not increment for records that are discarded or skipped.

### SEQUENCE Parameter

The combination of column name and the `SEQUENCE` parameter is a complete column specification.

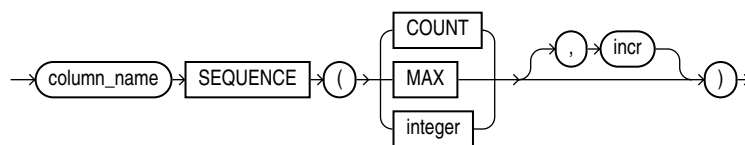


Table 9-6 describes the parameters used for column specification.

**Table 9-6 Parameters Used for Column Specification**

Parameter	Description
<i>column_name</i>	The name of the column in the database to which to assign the sequence.
<code>SEQUENCE</code>	Use the <code>SEQUENCE</code> parameter to specify the value for a column.
<code>COUNT</code>	The sequence starts with the number of records already in the table plus the increment.
<code>MAX</code>	The sequence starts with the current maximum value for the column plus the increment.
<i>integer</i>	Specifies the specific sequence number to begin with.
<i>incr</i>	The value that the sequence number is to increment after a record is loaded or rejected. This is optional. The default is 1.

If a record is rejected (that is, it has a format error or causes an Oracle error), the generated sequence numbers are not reshuffled to mask this. If four rows are assigned sequence numbers 10, 12, 14, and 16 in a particular column, and the row with 12 is rejected, the three rows inserted are numbered 10, 14, and 16, not 10, 12, and 14. This allows the sequence of inserts to be preserved despite data errors. When you correct the rejected data and reinsert it, you can manually set the columns to agree with the sequence.

Case study 3, Loading a Delimited Free-Format File, provides an example of using the `SEQUENCE` parameter. (See [SQL\\*Loader Case Studies](#) on page 6-12 for information on how to access case studies.)

## Generating Sequence Numbers for Multiple Tables

Because a unique sequence number is generated for each logical input record, rather than for each table insert, the same sequence number can be used when inserting data into multiple tables. This is frequently useful.

Sometimes, however, you might want to generate different sequence numbers for each `INTO TABLE` clause. For example, your data format might define three logical records in every input record. In that case, you can use three `INTO TABLE` clauses, each of which inserts a different part of the record into the same table. When you use `SEQUENCE (MAX)`, SQL\*Loader will use the maximum from each table, which can lead to inconsistencies in sequence numbers.

To generate sequence numbers for these records, you must generate unique numbers for each of the three inserts. Use the number of table-inserts per record as the sequence increment, and start the sequence numbers for each insert with successive numbers.

### Example: Generating Different Sequence Numbers for Each Insert

Suppose you want to load the following department names into the `dept` table. Each input record contains three department names, and you want to generate the department numbers automatically.

```
Accounting      Personnel      Manufacturing
Shipping        Purchasing     Maintenance
...
```

You could use the following control file entries to generate unique department numbers:

```
INTO TABLE dept
(deptno SEQUENCE(1, 3),
  dname  POSITION(1:14) CHAR)
INTO TABLE dept
(deptno SEQUENCE(2, 3),
  dname  POSITION(16:29) CHAR)
INTO TABLE dept
(deptno SEQUENCE(3, 3),
  dname  POSITION(31:44) CHAR)
```

The first `INTO TABLE` clause generates department number 1, the second number 2, and the third number 3. They all use 3 as the sequence increment (the number of department names in each record). This control file loads Accounting as department number 1, Personnel as 2, and Manufacturing as 3.

The sequence numbers are then incremented for the next record, so Shipping loads as 4, Purchasing as 5, and so on.



---

---

## Loading Objects, LOBs, and Collections

This chapter discusses the following topics:

- [Loading Column Objects](#)
- [Loading Object Tables](#)
- [Loading REF Columns](#)
- [Loading LOBs](#)
- [Loading BFILE Columns](#)
- [Loading Collections \(Nested Tables and VARRAYs\)](#)
- [Dynamic Versus Static SDF Specifications](#)
- [Loading a Parent Table Separately from Its Child Table](#)

### Loading Column Objects

Column objects in the control file are described in terms of their attributes. If the object type on which the column object is based is declared to be nonfinal, then the column object in the control file may be described in terms of the attributes, both derived and declared, of any subtype derived from the base object type. In the datafile, the data corresponding to each of the attributes of a column object is in a data field similar to that corresponding to a simple relational column.

---

---

**Note:** With SQL\*Loader support for complex datatypes like column objects, the possibility arises that two identical field names could exist in the control file, one corresponding to a column, the other corresponding to a column object's attribute. Certain clauses can refer to fields (for example, *WHEN*, *NULLIF*, *DEFAULTIF*, *SID*, *OID*, *REF*, *BFILE*, and so on), causing a naming conflict if identically named fields exist in the control file.

Therefore, if you use clauses that refer to fields, you must specify the full name. For example, if field *f1d1* is specified to be a *COLUMN OBJECT* and it contains field *f1d2*, when you specify *f1d2* in a clause such as *NULLIF*, you must use the full field name *f1d1.f1d2*.

---

---

The following sections show examples of loading column objects:

- [Loading Column Objects in Stream Record Format](#)
- [Loading Column Objects in Variable Record Format](#)

- [Loading Nested Column Objects](#)
- [Loading Column Objects with a Derived Subtype](#)
- [Specifying Null Values for Objects](#)
- [Loading Column Objects with User-Defined Constructors](#)

## Loading Column Objects in Stream Record Format

[Example 10–1](#) shows a case in which the data is in predetermined size fields. The newline character marks the end of a physical record. You can also mark the end of a physical record by using a custom record separator in the operating system file-processing clause (`os_file_proc_clause`).

### **Example 10–1 Loading Column Objects in Stream Record Format**

#### Control File Contents

```
LOAD DATA
INFILE 'sample.dat'
INTO TABLE departments
  (dept_no      POSITION(01:03)   CHAR,
   dept_name    POSITION(05:15)   CHAR,
  1 dept_mgr    COLUMN OBJECT
   (name        POSITION(17:33)   CHAR,
    age         POSITION(35:37)   INTEGER EXTERNAL,
    emp_id      POSITION(40:46)   INTEGER EXTERNAL) )
```

#### Datafile (sample.dat)

```
101 Mathematics  Johny Quest      30  1024
237 Physics      Albert Einstein  65  0000
```

#### Notes

1. This type of column object specification can be applied recursively to describe nested column objects.

## Loading Column Objects in Variable Record Format

[Example 10–2](#) shows a case in which the data is in delimited fields.

### **Example 10–2 Loading Column Objects in Variable Record Format**

#### Control File Contents

```
LOAD DATA
  1 INFILE 'sample.dat' "var 6"
INTO TABLE departments
FIELDS TERMINATED BY ',' OPTIONALLY ENCLOSED BY '"'
  2 (dept_no
   dept_name,
   dept_mgr      COLUMN OBJECT
   (name         CHAR(30),
    age          INTEGER EXTERNAL(5),
    emp_id       INTEGER EXTERNAL(5)) )
```

#### Datafile (sample.dat)

```
3 000034101,Mathematics,Johny Q.,30,1024,
  000039237,Physics,"Albert Einstein",65,0000,
```



**Notes**

1. The "var" string includes the number of bytes in the length field at the beginning of each record (in this example, the number is 6). If no value is specified, the default is 5 bytes. The maximum size of a variable record is  $2^{32}-1$ . Specifying larger values will result in an error.
2. Although no positional specifications are given, the general syntax remains the same (the column object's name followed by the list of its attributes enclosed in parentheses). Also note that an omitted type specification defaults to CHAR of length 255.
3. The first 6 bytes (italicized) specify the length of the forthcoming record. These length specifications include the newline characters, which are ignored thanks to the terminators after the emp\_id field.

**Loading Nested Column Objects**

[Example 10-3](#) shows a control file describing nested column objects (one column object nested in another column object).

**Example 10-3 Loading Nested Column Objects**

## Control File Contents

```
LOAD DATA
INFILE `sample.dat'
INTO TABLE departments_v2
FIELDS TERMINATED BY ',' OPTIONALLY ENCLOSED BY '''
  (dept_no      CHAR(5),
   dept_name    CHAR(30),
   dept_mgr     COLUMN OBJECT
     (name      CHAR(30),
      age       INTEGER EXTERNAL(3),
      emp_id    INTEGER EXTERNAL(7),
1    em_contact COLUMN OBJECT
      (name      CHAR(30),
       phone_num CHAR(20)))
```

## Datafile (sample.dat)

```
101,Mathematics,Johny Q.,30,1024,"Barbie",650-251-0010,
237,Physics,"Albert Einstein",65,0000,Wife Einstein,654-3210,
```

**Notes**

1. This entry specifies a column object nested within a column object.

**Loading Column Objects with a Derived Subtype**

[Example 10-4](#) shows a case in which a nonfinal base object type has been extended to create a new derived subtype. Although the column object in the table definition is declared to be of the base object type, SQL\*Loader allows any subtype to be loaded into the column object, provided that the subtype is derived from the base object type.

**Example 10-4 Loading Column Objects with a Subtype**

## Object Type Definitions

```
CREATE TYPE person_type AS OBJECT
  (name    VARCHAR(30),
   ssn     NUMBER(9)) not final;
```

```
CREATE TYPE employee_type UNDER person_type
  (empid NUMBER(5));
```

```
CREATE TABLE personnel
  (deptno NUMBER(3),
   deptname VARCHAR(30),
   person person_type);
```

### Control File Contents

```
LOAD DATA
INFILE 'sample.dat'
INTO TABLE personnel
FIELDS TERMINATED BY ',' OPTIONALLY ENCLOSED BY '"'
  (deptno INTEGER EXTERNAL(3),
   deptname CHAR,
  1 person COLUMN OBJECT TREAT AS employee_type
   (name CHAR,
    ssn INTEGER EXTERNAL(9),
  2 empid INTEGER EXTERNAL(5))
```

### Datafile (sample.dat)

```
101,Mathematics,Johny Q.,301189453,10249,
237,Physics,"Albert Einstein",128606590,10030,
```

### Notes

1. The TREAT AS clause indicates that SQL\*Loader should treat the column object person as if it were declared to be of the derived type employee\_type, instead of its actual declared type, person\_type.
2. The empid attribute is allowed here because it is an attribute of the employee\_type. If the TREAT AS clause had not been specified, this attribute would have resulted in an error, because it is not an attribute of the column's declared type.

## Specifying Null Values for Objects

Specifying null values for nonscalar datatypes is somewhat more complex than for scalar datatypes. An object can have a subset of its attributes be null, it can have all of its attributes be null (an attributively null object), or it can be null itself (an atomically null object).

### Specifying Attribute Nulls

In fields corresponding to column objects, you can use the NULLIF clause to specify the field conditions under which a particular attribute should be initialized to NULL. [Example 10-5](#) demonstrates this.

#### **Example 10-5 Specifying Attribute Nulls Using the NULLIF Clause**

##### Control File Contents

```
LOAD DATA
INFILE 'sample.dat'
INTO TABLE departments
  (dept_no POSITION(01:03) CHAR,
   dept_name POSITION(05:15) CHAR NULLIF dept_name=BLANKS,
   dept_mgr COLUMN OBJECT
  1 ( name POSITION(17:33) CHAR NULLIF dept_mgr.name=BLANKS,
```

```

1 age POSITION(35:37) INTEGER EXTERNAL NULLIF dept_mgr.age=BLANKS,
1 emp_id POSITION(40:46) INTEGER EXTERNAL NULLIF dept_mgr.empid=BLANKS))

```

#### Datafile (sample.dat)

```

2 101          Johny Quest          1024
  237 Physics  Albert Einstein    65  0000

```

#### Notes

1. The NULLIF clause corresponding to each attribute states the condition under which the attribute value should be NULL.
2. The age attribute of the dept\_mgr value is null. The dept\_name value is also null.

#### Specifying Atomic Nulls

To specify in the control file the condition under which a particular object should take a null value (atomic null), you must follow that object's name with a NULLIF clause based on a logical combination of any of the mapped fields (for example, in [Example 10–5](#), the named mapped fields would be dept\_no, dept\_name, name, age, emp\_id, but dept\_mgr would not be a named mapped field because it does not correspond (is not mapped) to any field in the datafile).

Although the preceding is workable, it is not ideal when the condition under which an object should take the value of null is *independent of any of the mapped fields*. In such situations, you can use filler fields.

You can map a filler field to the field in the datafile (indicating if a particular object is atomically null or not) and use the filler field in the field condition of the NULLIF clause of the particular object. This is shown in [Example 10–6](#).

#### Example 10–6 Loading Data Using Filler Fields

##### Control File Contents

```

LOAD DATA
INFILE 'sample.dat'
INTO TABLE departments_v2
FIELDS TERMINATED BY ',' OPTIONALLY ENCLOSED BY ''
  (dept_no          CHAR(5),
   dept_name       CHAR(30),
1  is_null        FILLER CHAR,
2  dept_mgr       COLUMN OBJECT NULLIF is_null=BLANKS
   (name          CHAR(30) NULLIF dept_mgr.name=BLANKS,
    age           INTEGER EXTERNAL(3) NULLIF dept_mgr.age=BLANKS,
    emp_id        INTEGER EXTERNAL(7)
                    NULLIF dept_mgr.emp_id=BLANKS,
   em_contact     COLUMN OBJECT NULLIF is_null2=BLANKS
   (name          CHAR(30)
                    NULLIF dept_mgr.em_contact.name=BLANKS,
    phone_num     CHAR(20)
                    NULLIF dept_mgr.em_contact.phone_num=BLANKS)),
1  is_null2      FILLER CHAR)

```

##### Datafile (sample.dat)

```

101,Mathematics,n,Johny Q.,,1024,"Barbie",608-251-0010,,
237,Physics,,"Albert Einstein",65,0000,,650-654-3210,n,

```

**Notes**

1. The filler field (datafile mapped; no corresponding column) is of type CHAR (because it is a delimited field, the CHAR defaults to CHAR(255)). Note that the NULLIF clause is not applicable to the filler field itself.
2. Gets the value of null (atomic null) if the is\_null field is blank.

**See Also:** [Specifying Filler Fields](#) on page 9-4

**Loading Column Objects with User-Defined Constructors**

The Oracle database automatically supplies a default constructor for every object type. This constructor requires that all attributes of the type be specified as arguments in a call to the constructor. When a new instance of the object is created, its attributes take on the corresponding values in the argument list. This constructor is known as the attribute-value constructor. SQL\*Loader uses the attribute-value constructor by default when loading column objects.

It is possible to override the attribute-value constructor by creating one or more user-defined constructors. When you create a user-defined constructor, you must supply a type body that performs the user-defined logic whenever a new instance of the object is created. A user-defined constructor may have the same argument list as the attribute-value constructor but differ in the logic that its type body implements.

When the argument list of a user-defined constructor function matches the argument list of the attribute-value constructor, there is a difference in behavior between conventional and direct path SQL\*Loader. Conventional path mode results in a call to the user-defined constructor. Direct path mode results in a call to the attribute-value constructor. [Example 10-7](#) illustrates this difference.

**Example 10-7 Loading a Column Object with Constructors That Match****Object Type Definitions**

```
CREATE TYPE person_type AS OBJECT
  (name      VARCHAR(30),
   ssn       NUMBER(9)) not final;

CREATE TYPE employee_type UNDER person_type
  (empid     NUMBER(5),
   -- User-defined constructor that looks like an attribute-value constructor
   CONSTRUCTOR FUNCTION
     employee_type (name VARCHAR2, ssn NUMBER, empid NUMBER)
     RETURN SELF AS RESULT);

CREATE TYPE BODY employee_type AS
  CONSTRUCTOR FUNCTION
     employee_type (name VARCHAR2, ssn NUMBER, empid NUMBER)
     RETURN SELF AS RESULT AS
  --User-defined constructor makes sure that the name attribute is uppercase.
  BEGIN
    SELF.name := UPPER(name);
    SELF.ssn  := ssn;
    SELF.empid := empid;
    RETURN;
  END;

CREATE TABLE personnel
  (deptno   NUMBER(3),
   deptname VARCHAR(30),
```

```
employee employee_type);
```

## Control File Contents

```
LOAD DATA
  INFILE *
  REPLACE
  INTO TABLE personnel
  FIELDS TERMINATED BY ',' OPTIONALLY ENCLOSED BY '"'
    (deptno      INTEGER EXTERNAL(3),
     deptname    CHAR,
     employee    COLUMN OBJECT
      (name      CHAR,
       ssn      INTEGER EXTERNAL(9),
       empid    INTEGER EXTERNAL(5)))

  BEGINDATA
1 101,Mathematics,Johny Q.,301189453,10249,
  237,Physics,"Albert Einstein",128606590,10030,
```

## Notes

1. When this control file is run in conventional path mode, the name fields, Johny Q. and Albert Einstein, are both loaded in uppercase. This is because the user-defined constructor is called in this mode. In contrast, when this control file is run in direct path mode, the name fields are loaded exactly as they appear in the input data. This is because the attribute-value constructor is called in this mode.

It is possible to create a user-defined constructor whose argument list does not match that of the attribute-value constructor. In this case, both conventional and direct path modes will result in a call to the attribute-value constructor. Consider the definitions in [Example 10-8](#).

### **Example 10-8 Loading a Column Object with Constructors That Do Not Match**

#### Object Type Definitions

```
CREATE SEQUENCE employee_ids
  START WITH 1000
  INCREMENT BY 1;

CREATE TYPE person_type AS OBJECT
  (name VARCHAR(30),
   ssn NUMBER(9)) not final;

CREATE TYPE employee_type UNDER person_type
  (empid NUMBER(5),
  -- User-defined constructor that does not look like an attribute-value
  -- constructor
  CONSTRUCTOR FUNCTION
    employee_type (name VARCHAR2, ssn NUMBER)
    RETURN SELF AS RESULT);

CREATE TYPE BODY employee_type AS
  CONSTRUCTOR FUNCTION
    employee_type (name VARCHAR2, ssn NUMBER)
    RETURN SELF AS RESULT AS
  -- This user-defined constructor makes sure that the name attribute is in
  -- lowercase and assigns the employee identifier based on a sequence.
    nextid NUMBER;
    stmt VARCHAR2(64);
```

```

BEGIN

    stmt := 'SELECT employee_ids.nextval FROM DUAL';
    EXECUTE IMMEDIATE stmt INTO nextid;

    SELF.name := LOWER(name);
    SELF.ssn := ssn;
    SELF.empid := nextid;
    RETURN;
END;

CREATE TABLE personnel
(deptno NUMBER(3),
deptname VARCHAR(30),
employee employee_type);

```

If the control file described in [Example 10-7](#) is used with these definitions, then the name fields are loaded exactly as they appear in the input data (that is, in mixed case). This is because the attribute-value constructor is called in both conventional and direct path modes.

It is still possible to load this table using conventional path mode by explicitly making reference to the user-defined constructor in a SQL expression. [Example 10-9](#) shows how this can be done.

#### **Example 10-9 Using SQL to Load Column Objects When Constructors Do Not Match**

##### Control File Contents

```

LOAD DATA
  INFILE *
  REPLACE
  INTO TABLE personnel
  FIELDS TERMINATED BY ',' OPTIONALLY ENCLOSED BY '"'
    (deptno      INTEGER EXTERNAL(3),
     deptname    CHAR,
     name        BOUNDFILLER CHAR,
     ssn         BOUNDFILLER INTEGER EXTERNAL(9),
1   employee    EXPRESSION "employee_type(:NAME, :SSN)")

  BEGINDATA
1  101,Mathematics,Johny Q.,301189453,
   237,Physics,"Albert Einstein",128606590,

```

#### **Notes**

1. The employee column object is now loaded using a SQL expression. This expression invokes the user-defined constructor with the correct number of arguments. The name fields, Johny Q. and Albert Einstein, will both be loaded in lowercase. In addition, the employee identifiers for each row's employee column object will have taken their values from the `employee_ids` sequence.

If the control file in [Example 10-9](#) is used in direct path mode, the following error is reported:

```

SQL*Loader-951: Error calling once/load initialization
ORA-26052: Unsupported type 121 for SQL expression on column EMPLOYEE.

```

## Loading Object Tables

The control file syntax required to load an object table is nearly identical to that used to load a typical relational table. [Example 10–10](#) demonstrates loading an object table with primary-key-based object identifiers (OIDs).

### **Example 10–10 Loading an Object Table with Primary Key OIDs**

#### Control File Contents

```
LOAD DATA
INFILE 'sample.dat'
DISCARDFILE 'sample.dsc'
BADFILE 'sample.bad'
REPLACE
INTO TABLE employees
FIELDS TERMINATED BY ',' OPTIONALLY ENCLOSED BY '"'
  (name      CHAR(30)          NULLIF name=BLANKS,
   age       INTEGER EXTERNAL(3) NULLIF age=BLANKS,
   emp_id    INTEGER EXTERNAL(5))
```

#### Datafile (sample.dat)

```
Johny Quest, 18, 007,
Speed Racer, 16, 000,
```

By looking only at the preceding control file you might not be able to determine if the table being loaded was an object table with system-generated OIDs, an object table with primary-key-based OIDs, or a relational table.

You may want to load data that already contains system-generated OIDs and to specify that instead of generating new OIDs, the existing OIDs in the datafile should be used. To do this, you would follow the `INTO TABLE` clause with the `OID` clause:

```
OID (fieldname)
```

In this clause, *fieldname* is the name of one of the fields (typically a filler field) from the field specification list that is mapped to a data field that contains the system-generated OIDs. SQL\*Loader assumes that the OIDs provided are in the correct format and that they preserve OID global uniqueness. Therefore, to ensure uniqueness, you should use the Oracle OID generator to generate the OIDs to be loaded.

The `OID` clause can only be used for system-generated OIDs, not primary-key-based OIDs.

[Example 10–11](#) demonstrates loading system-generated OIDs with the row objects.

### **Example 10–11 Loading OIDs**

#### Control File Contents

```
LOAD DATA
INFILE 'sample.dat'
INTO TABLE employees_v2
1  OID (s_oid)
FIELDS TERMINATED BY ',' OPTIONALLY ENCLOSED BY '"'
  (name      CHAR(30)          NULLIF name=BLANKS,
   age       INTEGER EXTERNAL(3) NULLIF age=BLANKS,
   emp_id    INTEGER EXTERNAL(5),
2  s_oid    FILLER CHAR(32))
```

**Datafile (sample.dat)**

```
3 Johny Quest, 18, 007, 21E978406D3E41FCE03400400B403BC3,  
Speed Racer, 16, 000, 21E978406D4441FCE03400400B403BC3,
```

**Notes**

1. The `OID` clause specifies that the `s_oid` loader field contains the OID. The parentheses are required.
2. If `s_oid` does not contain a valid hexadecimal number, the particular record is rejected.
3. The OID in the datafile is a character string and is interpreted as a 32-digit hexadecimal number. The 32-digit hexadecimal number is later converted into a 16-byte RAW and stored in the object table.

## Loading Object Tables with a Subtype

If an object table's row object is based on a nonfinal type, SQL\*Loader allows for any derived subtype to be loaded into the object table. As previously mentioned, the syntax required to load an object table with a derived subtype is almost identical to that used for a typical relational table. However, in this case, the actual subtype to be used must be named, so that SQL\*Loader can determine if it is a valid subtype for the object table. This concept is illustrated in [Example 10–12](#).

**Example 10–12 Loading an Object Table with a Subtype****Object Type Definitions**

```
CREATE TYPE employees_type AS OBJECT  
  (name    VARCHAR2(30),  
   age     NUMBER(3),  
   emp_id  NUMBER(5)) not final;  
  
CREATE TYPE hourly_emps_type UNDER employees_type  
  (hours   NUMBER(3));  
  
CREATE TABLE employees_v3 OF employees_type;
```

**Control File Contents**

```
LOAD DATA  
  
  INFILE 'sample.dat'  
  INTO TABLE employees_v3  
1 TREAT AS hourly_emps_type  
  FIELDS TERMINATED BY ','  
  (name    CHAR(30),  
   age     INTEGER EXTERNAL(3),  
   emp_id  INTEGER EXTERNAL(5),  
2  hours   INTEGER EXTERNAL(2))
```

**Datafile (sample.dat)**

```
Johny Quest, 18, 007, 32,  
Speed Racer, 16, 000, 20,
```



**Notes**

1. The `TREAT AS` clause indicates that SQL\*Loader should treat the object table as if it were declared to be of type `hourly_emps_type`, instead of its actual declared type, `employee_type`.
2. The `hours` attribute is allowed here because it is an attribute of the `hourly_emps_type`. If the `TREAT AS` clause had not been specified, this attribute would have resulted in an error, because it is not an attribute of the object table's declared type.

## Loading REF Columns

SQL\*Loader can load system-generated OID REF columns, primary-key-based REF columns, and unscoped REF columns that allow primary keys. For each of these, the way in which table names are specified is important, as described in the following section.

### Specifying Table Names in a REF Clause

---



---

**Note:** The information in this section applies only to environments in which the version of both SQL\*Loader and Oracle Database are 11g release 1 (11.1). It does not apply to environments in which either SQL\*Loader, Oracle Database, or both are at an earlier version.

---



---

In the SQL\*Loader control file, the description of the field corresponding to a REF column consists of the column name followed by a REF clause. The REF clause takes as arguments the table name and any attributes applicable to the type of REF column being loaded. The table names can either be specified dynamically (using filler fields) or as constants. The table name can also be specified with or without the schema name.

Whether the table name specified in the REF clause is specified as a constant or by using a filler field, it is interpreted as case-sensitive. This could result in the following situations:

- If user SCOTT creates a table named `table2` in lower case without quotation marks around the table name, then it can be used in a REF clause in any of the following ways:
  - `REF (constant 'TABLE2', ...)`
  - `REF (constant '"TABLE2"', ...)`
  - `REF (constant 'SCOTT.TABLE2', ...)`
- If user SCOTT creates a table named `"Table2"` using quotation marks around a mixed-case name, then it can be used in a REF clause in any of the following ways:
  - `REF (constant 'Table2', ...)`
  - `REF (constant '"Table2"', ...)`
  - `REF (constant 'SCOTT.Table2', ...)`

In both of those situations, if `constant` is replaced with a filler field, the same values as shown in the examples will also work if they are placed in the data section.

## System-Generated OID REF Columns

SQL\*Loader assumes, when loading system-generated REF columns, that the actual OIDs from which the REF columns are to be constructed are in the datafile with the rest of the data. The description of the field corresponding to a REF column consists of the column name followed by the REF clause.

The REF clause takes as arguments the table name and an OID. Note that the arguments can be specified either as constants or dynamically (using filler fields). See [ref\\_spec](#) on page A-6 for the appropriate syntax. [Example 10–13](#) demonstrates loading system-generated OID REF columns.

### **Example 10–13 Loading System-Generated REF Columns**

#### Control File Contents

```
LOAD DATA
INFILE 'sample.dat'
INTO TABLE departments_alt_v2
FIELDS TERMINATED BY ',' OPTIONALLY ENCLOSED BY '"'
  (dept_no      CHAR(5),
   dept_name    CHAR(30),
  1 dept_mgr    REF(t_name, s_oid),
   s_oid        FILLER CHAR(32),
   t_name       FILLER CHAR(30))
```

#### Datafile (sample.dat)

```
22345, QuestWorld, 21E978406D3E41FCE03400400B403BC3, EMPLOYEES_V2,
23423, Geography, 21E978406D4441FCE03400400B403BC3, EMPLOYEES_V2,
```

#### Notes

1. If the specified table does not exist, the record is rejected. The `dept_mgr` field itself does not map to any field in the datafile.

## Primary Key REF Columns

To load a primary key REF column, the SQL\*Loader control-file field description must provide the column name followed by a REF clause. The REF clause takes for arguments a comma-delimited list of field names and constant values. The first argument is the table name, followed by arguments that specify the primary key OID on which the REF column to be loaded is based. See [ref\\_spec](#) on page A-6 for the appropriate syntax.

SQL\*Loader assumes that the ordering of the arguments matches the relative ordering of the columns making up the primary key OID in the referenced table. [Example 10–14](#) demonstrates loading primary key REF columns.

### **Example 10–14 Loading Primary Key REF Columns**

#### Control File Contents

```
LOAD DATA
INFILE 'sample.dat'
INTO TABLE departments_alt
FIELDS TERMINATED BY ',' OPTIONALLY ENCLOSED BY '"'
  (dept_no      CHAR(5),
   dept_name    CHAR(30),
   dept_mgr     REF(CONSTANT 'EMPLOYEES', emp_id),
   emp_id       FILLER CHAR(32))
```

Datafile (sample.dat)

```
22345, QuestWorld, 007,
23423, Geography, 000,
```

## Unscoped REF Columns That Allow Primary Keys

An unscoped REF column that allows primary keys can reference both system-generated and primary key REFs. The syntax for loading into such a REF column is the same as if you were loading into a system-generated OID REF column or into a primary-key-based REF column. See [Example 10–13, "Loading System-Generated REF Columns"](#) and [Example 10–14, "Loading Primary Key REF Columns"](#).

The following restrictions apply when loading into an unscoped REF column that allows primary keys:

- Only one type of REF can be referenced by this column during a single-table load, either system-generated or primary key, but not both. If you try to reference both types, the data row will be rejected with an error message indicating that the referenced table name is invalid.
- If you are loading unscoped primary key REFs to this column, only one object table can be referenced during a single-table load. That is, if you want to load unscoped primary key REFs, some pointing to object table X and some pointing to object table Y, you would have to do one of the following:
  - Perform two single-table loads.
  - Perform a single load using multiple INTO TABLE clauses for which the WHEN clause keys off some aspect of the data, such as the object table name for the unscoped primary key REF. For example:

```
LOAD DATA
INFILE 'data.dat'

INTO TABLE orders_apk
APPEND
when CUST_TBL = "CUSTOMERS_PK"
fields terminated by ","
(
  order_no position(1) char,
  cust_tbl FILLER      char,
  cust_no FILLER      char,
  cust REF (cust_tbl, cust_no) NULLIF order_no='0'
)

INTO TABLE orders_apk
APPEND
when CUST_TBL = "CUSTOMERS_PK2"
fields terminated by ","
(
  order_no position(1) char,
  cust_tbl FILLER      char,
  cust_no FILLER      char,
  cust REF (cust_tbl, cust_no) NULLIF order_no='0'
)
```

If you do not use either of these methods, the data row will be rejected with an error message indicating that the referenced table name is invalid.

- Unscoped primary key REFs in collections are not supported by SQL\*Loader.
- If you are loading system-generated REFs into this REF column, any limitations described in [System-Generated OID REF Columns](#) on page 10-12 also apply here.
- If you are loading primary key REFs into this REF column, any limitations described in [Primary Key REF Columns](#) on page 10-12 also apply here.

---

---

**Note:** For an unscoped REF column that allows primary keys, SQL\*Loader takes the first valid object table parsed (either from the REF directive or from the data rows) and uses that object table's OID type to determine the REF type that can be referenced in that single-table load.

---

---

## Loading LOBs

A LOB is a *large object type*. SQL\*Loader supports the following types of LOBs:

- BLOB: an internal LOB containing unstructured binary data
- CLOB: an internal LOB containing character data
- NCLOB: an internal LOB containing characters from a national character set
- BFILE: a BLOB stored outside of the database tablespaces in a server-side operating system file

LOBs can be column datatypes, and with the exception of the NCLOB, they can be an object's attribute datatypes. LOBs can have actual values, they can be null, or they can be empty. SQL\*Loader creates an empty LOB when there is a 0-length field to store in the LOB. (Note that this is different than other datatypes where SQL\*Loader sets the column to NULL for any 0-length string.) This means that *the only way to load NULL values into a LOB column is to use the NULLIF clause*.

XML columns are columns declared to be of type SYS.XMLTYPE. SQL\*Loader treats XML columns as if they were CLOBs. All of the methods described in the following sections for loading LOB data from the primary datafile or from LOBFILES are applicable to loading XML columns.

---

---

**Note:** You cannot specify a SQL string for LOB fields. This is true even if you specify LOBFILE\_spec.

---

---

Because LOBs can be quite large, SQL\*Loader is able to load LOB data from either a primary datafile (in line with the rest of the data) or from LOBFILES. This section addresses the following topics:

- [Loading LOB Data from a Primary Datafile](#)
- [Loading LOB Data from LOBFILES](#)

### Loading LOB Data from a Primary Datafile

To load internal LOBs (BLOBs, CLOBs, and NCLOBs) or XML columns from a primary datafile, you can use the following standard SQL\*Loader formats:

- Predetermined size fields
- Delimited fields

- Length-value pair fields

Each of these formats is described in the following sections.

### LOB Data in Predetermined Size Fields

This is a very fast and conceptually simple format in which to load LOBs, as shown in [Example 10–15](#).

---

**Note:** Because the LOBs you are loading may not be of equal size, you can use whitespace to pad the LOB data to make the LOBs all of equal length within a particular data field.

---

To load LOBs using this format, you should use either `CHAR` or `RAW` as the loading datatype.

#### **Example 10–15 Loading LOB Data in Predetermined Size Fields**

Control File Contents

```
LOAD DATA
INFILE 'sample.dat' "fix 501"
INTO TABLE person_table
   (name          POSITION(01:21)          CHAR,
  1 "RESUME"      POSITION(23:500)        CHAR  DEFAULTTIF "RESUME"=BLANKS)
```

Datafile (sample.dat)

```
Johny Quest      Johny Quest
                  500 Oracle Parkway
                  jquest@us.oracle.com ...
```

#### **Notes**

1. Because the `DEFAULTTIF` clause is used, if the data field containing the resume is empty, the result is an empty LOB rather than a null LOB. However, if a `NULLTIF` clause had been used instead of `DEFAULTTIF`, the empty data field would be null.

You can use `SQL*Loader` datatypes other than `CHAR` to load LOBs. For example, when loading BLOBs, you would probably want to use the `RAW` datatype.

### LOB Data in Delimited Fields

This format handles LOBs of different sizes within the same column (datafile field) without a problem. However, this added flexibility can affect performance because `SQL*Loader` must scan through the data, looking for the delimiter string.

As with single-character delimiters, when you specify string delimiters, you should consider the character set of the datafile. When the character set of the datafile is different than that of the control file, you can specify the delimiters in hexadecimal notation (that is, *X'hexadecimal string'*). If the delimiters are specified in hexadecimal notation, the specification must consist of characters that are valid in the character set of the input datafile. In contrast, if hexadecimal notation is not used, the delimiter specification is considered to be in the client's (that is, the control file's) character set. In this case, the delimiter is converted into the datafile's character set before `SQL*Loader` searches for the delimiter in the datafile.

Note the following:

- Stutter syntax is supported with string delimiters (that is, the closing enclosure delimiter can be stuttered).
- Leading whitespaces in the initial multicharacter enclosure delimiter are not allowed.
- If a field is terminated by `WHITESPACE`, the leading whitespaces are trimmed.

---

**Note:** `SQL*Loader` defaults to 255 bytes when moving `CLOB` data, but a value of up to 2 gigabytes can be specified. For a delimited field, if a length is specified, that length is used as a maximum. If no maximum is specified, it defaults to 255 bytes. For a `CHAR` field that is delimited and is also greater than 255 bytes, you must specify a maximum length. See [CHAR](#) on page 9-12 for more information about the `CHAR` datatype.

---

[Example 10-16](#) shows an example of loading LOB data in delimited fields.

#### **Example 10-16 Loading LOB Data in Delimited Fields**

##### Control File Contents

```
LOAD DATA
INFILE 'sample.dat' "str '|' "
INTO TABLE person_table
FIELDS TERMINATED BY ','
      (name          CHAR(25),
1  "RESUME"        CHAR(507) ENCLOSED BY '<startlob>' AND '<endlob>')
```

##### Datafile (sample.dat)

```
Johny Quest,<startlob>          Johny Quest
                               500 Oracle Parkway
                               jquest@us.oracle.com ... <endlob>
2 |Speed Racer, .....
```

##### Notes

1. `<startlob>` and `<endlob>` are the enclosure strings. With the default byte-length semantics, the maximum length for a LOB that can be read using `CHAR(507)` is 507 bytes. If character-length semantics were used, the maximum would be 507 characters. See [Character-Length Semantics](#) on page 8-17.
2. If the record separator `'|'` had been placed right after `<endlob>` and followed with the newline character, the newline would have been interpreted as part of the next record. An alternative would be to make the newline part of the record separator (for example, `'|\n'` or, in hexadecimal notation, `X'7C0A'`).

#### **LOB Data in Length-Value Pair Fields**

You can use `VARCHAR`, `VARCHARC`, or `VARRAW` datatypes to load LOB data organized in length-value pair fields. This method of loading provides better performance than using delimited fields, but can reduce flexibility (for example, you must know the LOB length for each LOB before loading). [Example 10-17](#) demonstrates loading LOB data in length-value pair fields.

#### **Example 10-17 Loading LOB Data in Length-Value Pair Fields**

##### Control File Contents

```

LOAD DATA
1 INFILE 'sample.dat' "str '<endrec>\n'"
  INTO TABLE person_table
  FIELDS TERMINATED BY ','
    (name      CHAR(25),
2   "RESUME"   VARCHARC(3,500))

```

#### Datafile (sample.dat)

```

Johny Quest,479           Johny Quest
                        500 Oracle Parkway
                        jquest@us.oracle.com
                        ... <endrec>
3   Speed Racer,000<endrec>

```

#### Notes

1. If the backslash escape character is not supported, the string used as a record separator in the example could be expressed in hexadecimal notation.
2. "RESUME" is a field that corresponds to a CLOB column. In the control file, it is a VARCHARC, whose length field is 3 bytes long and whose maximum size is 500 bytes (with byte-length semantics). If character-length semantics were used, the length would be 3 characters and the maximum size would be 500 characters. See [Character-Length Semantics](#) on page 8-17.
3. The length subfield of the VARCHARC is 0 (the value subfield is empty). Consequently, the LOB instance is initialized to empty.

## Loading LOB Data from LOBFILES

LOB data can be lengthy enough so that it makes sense to load it from a LOBFILE instead of from a primary datafile. In LOBFILES, LOB data instances are still considered to be in fields (predetermined size, delimited, length-value), but these fields are not organized into records (the concept of a record does not exist within LOBFILES). Therefore, the processing overhead of dealing with records is avoided. This type of organization of data is ideal for LOB loading.

There is no requirement that a LOB from a LOBFILE fit in memory. SQL\*Loader reads LOBFILES in 64 KB chunks.

In LOBFILES the data can be in any of the following types of fields:

- A single LOB field into which the entire contents of a file can be read
- Predetermined size fields (fixed-length fields)
- Delimited fields (that is, TERMINATED BY or ENCLOSED BY)

The clause PRESERVE BLANKS is not applicable to fields read from a LOBFILE.

- Length-value pair fields (variable-length fields)

To load data from this type of field, use the VARRAW, VARCHAR, or VARCHARC SQL\*Loader datatypes.

See [Examples of Loading LOB Data from LOBFILES](#) on page 10-18 for examples of using each of these field types. All of the previously mentioned field types can be used to load XML columns.

See [lobfile\\_spec](#) on page A-7 for LOBFILE syntax.

## Dynamic Versus Static LOBFILE Specifications

You can specify LOBFILES either statically (the name of the file is specified in the control file) or dynamically (a `FILLER` field is used as the source of the filename). In either case, if the LOBFILE is *not* terminated by EOF, then when the end of the LOBFILE is reached, the file is closed and further attempts to read data from that file produce results equivalent to reading data from an empty field.

However, if you have a LOBFILE that *is* terminated by EOF, then the entire file is always returned on each attempt to read data from that file.

You should not specify the same LOBFILE as the source of two different fields. If you do so, typically, the two fields will read the data independently.

## Examples of Loading LOB Data from LOBFILES

This section contains examples of loading data from different types of fields in LOBFILES.

**One LOB per File** In [Example 10–18](#), each LOBFILE is the source of a single LOB. To load LOB data that is organized in this way, the column or field name is followed by the LOBFILE datatype specifications.

### Example 10–18 Loading LOB DATA with One LOB per LOBFILE

Control File Contents

```
LOAD DATA
INFILE 'sample.dat'
  INTO TABLE person_table
  FIELDS TERMINATED BY ','
  (name      CHAR(20),
1  ext_fname  FILLER CHAR(40),
2  "RESUME"   LOBFILE(ext_fname) TERMINATED BY EOF)
```

Datafile (sample.dat)

```
Johny Quest,jqresume.txt,
Speed Racer,'/private/sracer/srresume.txt',
```

Secondary Datafile (jqresume.txt)

```
      Johny Quest
      500 Oracle Parkway
      ...
```

Secondary Datafile (srresume.txt)

```
      Speed Racer
      400 Oracle Parkway
      ...
```

## Notes

1. The filler field is mapped to the 40-byte data field, which is read using the `SQL*Loader CHAR` datatype. This assumes the use of default byte-length semantics. If character-length semantics were used, the field would be mapped to a 40-character data field.
2. `SQL*Loader` gets the LOBFILE name from the `ext_fname` filler field. It then loads the data from the LOBFILE (using the `CHAR` datatype) from the first byte to the EOF character. If no existing LOBFILE is specified, the "RESUME" field is initialized to empty.



**Predetermined Size LOBs** In [Example 10–19](#), you specify the size of the LOBs to be loaded into a particular column in the control file. During the load, SQL\*Loader assumes that any LOB data loaded into that particular column is of the specified size. The predetermined size of the fields allows the data-parser to perform optimally. However, it is often difficult to guarantee that all LOBs are the same size.

### **Example 10–19 Loading LOB Data Using Predetermined Size LOBs**

#### Control File Contents

```
LOAD DATA
INFILE 'sample.dat'
INTO TABLE person_table
FIELDS TERMINATED BY ','
      (name      CHAR(20),
1  "RESUME"     LOBFILE(CONSTANT '/usr/private/jquest/jqresume.txt')
                        CHAR(2000))
```

#### Datafile (sample.dat)

```
Johny Quest,
Speed Racer,
```

#### Secondary Datafile (jqresume.txt)

```
      Johny Quest
      500 Oracle Parkway
      ...
      Speed Racer
      400 Oracle Parkway
      ...
```

#### Notes

1. This entry specifies that SQL\*Loader load 2000 bytes of data from the `jqresume.txt` LOBFILE, using the `CHAR` datatype, starting with the byte following the byte loaded last during the current loading session. This assumes the use of the default byte-length semantics. If character-length semantics were used, SQL\*Loader would load 2000 characters of data, starting from the first character after the last-loaded character. See [Character-Length Semantics](#) on page 8-17.

**Delimited LOBs** In [Example 10–20](#), the LOB data instances in the LOBFILE are delimited. In this format, loading different size LOBs into the same column is not a problem. However, this added flexibility can affect performance, because SQL\*Loader must scan through the data, looking for the delimiter string.

### **Example 10–20 Loading LOB Data Using Delimited LOBs**

#### Control File Contents

```
LOAD DATA
INFILE 'sample.dat'
INTO TABLE person_table
FIELDS TERMINATED BY ','
      (name      CHAR(20),
1  "RESUME"     LOBFILE( CONSTANT 'jqresume') CHAR(2000)
                        TERMINATED BY "<endlob>\n")
```

#### Datafile (sample.dat)

```
Johny Quest,
Speed Racer,
```

## Secondary Datafile (jqresume.txt)

```

    Johnny Quest
    500 Oracle Parkway
    ... <endlob>
    Speed Racer
    400 Oracle Parkway
    ... <endlob>

```

**Notes**

1. Because a maximum length of 2000 is specified for CHAR, SQL\*Loader knows what to expect as the maximum length of the field, which can result in memory usage optimization. *If you choose to specify a maximum length, you should be sure not to underestimate its value.* The TERMINATED BY clause specifies the string that terminates the LOBs. Alternatively, you could use the ENCLOSED BY clause. The ENCLOSED BY clause allows a bit more flexibility as to the relative positioning of the LOBs in the LOBFILE (the LOBs in the LOBFILE need not be sequential).

**Length-Value Pair Specified LOBs** In [Example 10–21](#) each LOB in the LOBFILE is preceded by its length. You could use VARCHAR, VARCHARC, or VARRAW datatypes to load LOB data organized in this way.

This method of loading can provide better performance over delimited LOBs, but at the expense of some flexibility (for example, you must know the LOB length for each LOB before loading).

**Example 10–21 Loading LOB Data Using Length-Value Pair Specified LOBs**

## Control File Contents

```

LOAD DATA
INFILE 'sample.dat'
INTO TABLE person_table
FIELDS TERMINATED BY ','
      (name          CHAR(20),
1  "RESUME"          LOBFILE(CONSTANT 'jqresume') VARCHARC(4,2000))

```

## Datafile (sample.dat)

```

Johnny Quest,
Speed Racer,

```

## Secondary Datafile (jqresume.txt)

```

2      0501Johnny Quest
      500 Oracle Parkway
      ...
3      0000

```

**Notes**

1. The entry VARCHARC(4,2000) tells SQL\*Loader that the LOBs in the LOBFILE are in length-value pair format and that the first 4 bytes should be interpreted as the length. The value of 2000 tells SQL\*Loader that the maximum size of the field is 2000 bytes. This assumes the use of the default byte-length semantics. If character-length semantics were used, the first 4 characters would be interpreted as the length in characters. The maximum size of the field would be 2000 characters. See [Character-Length Semantics](#) on page 8-17.

2. The entry 0501 preceding `Johnny Quest` tells SQL\*Loader that the LOB consists of the next 501 characters.
3. This entry specifies an empty (not null) LOB.

### Considerations When Loading LOBs from LOBFILES

Keep in mind the following when you load data using LOBFILES:

- Only LOBs and XML columns can be loaded from LOBFILES.
- The failure to load a particular LOB does not result in the rejection of the record containing that LOB. Instead, you will have a record that contains an empty LOB. In the case of an XML column, a null value will be inserted if there is a failure loading the LOB.
- It is not necessary to specify the maximum length of a field corresponding to a LOB column; nevertheless, if a maximum length is specified, SQL\*Loader uses it as a hint to optimize memory usage. Therefore, it is important that the maximum length specification does not understate the true maximum length.
- You cannot supply a position specification (`pos_spec`) when loading data from a LOBFILE.
- `NULLIF` or `DEFAULTIF` field conditions cannot be based on fields read from LOBFILES.
- If a nonexistent LOBFILE is specified as a data source for a particular field, that field is initialized to empty. If the concept of empty does not apply to the particular field type, the field is initialized to null.
- Table-level delimiters are not inherited by fields that are read from a LOBFILE.
- When loading an XML column or referencing a LOB column in a SQL expression in conventional path mode, SQL\*Loader must process the LOB data as a temporary LOB. To ensure the best load performance possible in these cases, refer to the guidelines concerning temporary LOB performance in *Oracle Database SecureFiles and Large Objects Developer's Guide*.

## Loading BFILE Columns

The `BFILE` datatype stores unstructured binary data in operating system files outside the database. A `BFILE` column or attribute stores a file locator that points to the external file containing the data. The file to be loaded as a `BFILE` does not have to exist at the time of loading; it can be created later. SQL\*Loader assumes that the necessary directory objects have already been created (a logical alias name for a physical directory on the server's file system). For more information, see the *Oracle Database SecureFiles and Large Objects Developer's Guide*.

A control file field corresponding to a `BFILE` column consists of a column name followed by the `BFILE` clause. The `BFILE` clause takes as arguments a directory object (the `server_directory` alias) name followed by a `BFILE` name. Both arguments can be provided as string constants, or they can be dynamically loaded through some other field. See the *Oracle Database SQL Language Reference* for more information.

In the next two examples of loading `BFILES`, [Example 10-22](#) has only the filename specified dynamically, while [Example 10-23](#) demonstrates specifying both the `BFILE` and the directory object dynamically.

**Example 10–22 Loading Data Using BFILES: Only Filename Specified Dynamically**

## Control File Contents

```
LOAD DATA
INFILE sample.dat
INTO TABLE planets
FIELDS TERMINATED BY ','
  (pl_id    CHAR(3),
   pl_name  CHAR(20),
   fname    FILLER CHAR(30),
1  pl_pict  BFILE(CONSTANT "scott_dir1", fname))
```

## Datafile (sample.dat)

```
1,Mercury,mercury.jpeg,
2,Venus,venus.jpeg,
3,Earth,earth.jpeg,
```

**Notes**

1. The directory name is in quotation marks; therefore, the string is used as is and is not capitalized.

**Example 10–23 Loading Data Using BFILES: Filename and Directory Specified Dynamically**

## Control File Contents

```
LOAD DATA
INFILE sample.dat
INTO TABLE planets
FIELDS TERMINATED BY ',' OPTIONALLY ENCLOSED BY '"'
  (pl_id    NUMBER(4),
   pl_name  CHAR(20),
   fname    FILLER CHAR(30),
1  dname    FILLER CHAR(20),
   pl_pict  BFILE(dname, fname) )
```

## Datafile (sample.dat)

```
1, Mercury, mercury.jpeg, scott_dir1,
2, Venus, venus.jpeg, scott_dir1,
3, Earth, earth.jpeg, scott_dir2,
```

**Notes**

1. dname is mapped to the datafile field containing the directory name corresponding to the file being loaded.

## Loading Collections (Nested Tables and VARRAYs)

Like LOBs, collections can be loaded either from a primary datafile (data inline) or from secondary datafiles (data out of line). See [Secondary Datafiles \(SDFs\)](#) on page 10-24 for details about SDFs.

When you load collection data, a mechanism must exist by which SQL\*Loader can tell when the data belonging to a particular collection instance has ended. You can achieve this in two ways:

- To specify the number of rows or elements that are to be loaded into each nested table or VARRAY instance, use the DDL COUNT function. The value specified for COUNT must either be a number or a character string containing a number, and it

must be previously described in the control file before the `COUNT` clause itself. This positional dependency is specific to the `COUNT` clause. `COUNT (0)` or `COUNT (cnt_field)`, where `cnt_field` is 0 for the current row, results in a empty collection (not null), unless overridden by a `NULLIF` clause. See [count\\_spec](#) on page A-10.

If the `COUNT` clause specifies a field in a control file and if that field is set to null for the current row, then the collection that uses that count will be set to empty for the current row as well.

- Use the `TERMINATED BY` and `ENCLOSED BY` clauses to specify a unique collection delimiter. This method cannot be used if an `SDF` clause is used.

In the control file, collections are described similarly to column objects. See [Loading Column Objects](#) on page 10-1. There are some differences:

- Collection descriptions employ the two mechanisms discussed in the preceding list.
- Collection descriptions can include a secondary datafile (SDF) specification.
- A `NULLIF` or `DEFAULTIF` clause cannot refer to a field in an SDF unless the clause is on a field in the same SDF.
- Clauses that take field names as arguments cannot use a field name that is in a collection unless the DDL specification is for a field in the same collection.
- The field list must contain only one nonfiller field and any number of filler fields. If the `VARRAY` is a `VARRAY` of column objects, then the attributes of each column object will be in a nested field list.

## Restrictions in Nested Tables and VARRAYS

The following restrictions exist for nested tables and `VARRAYS`:

- A `field_list` cannot contain a `collection fld_spec`.
- A `col_obj_spec` nested within a `VARRAY` cannot contain a `collection fld_spec`.
- The `column_name` specified as part of the `field_list` must be the same as the `column_name` preceding the `VARRAY` parameter.

Also, be aware that if you are loading into a table containing nested tables, `SQL*Loader` will not automatically split the load into multiple loads and generate a set ID.

[Example 10-24](#) demonstrates loading a `VARRAY` and a nested table.

### **Example 10-24 Loading a VARRAY and a Nested Table**

Control File Contents

```
LOAD DATA
  INFILE 'sample.dat' "str '\n' "
  INTO TABLE dept
  REPLACE
  FIELDS TERMINATED BY ',' OPTIONALLY ENCLOSED BY ''
  (
    dept_no      CHAR(3),
    dname        CHAR(25) NULLIF dname=BLANKS,
1  emps         VARRAY TERMINATED BY ':'
    (
      emps       COLUMN OBJECT
    (
```

```

        name      CHAR(30),
        age       INTEGER EXTERNAL(3),
2      emp_id    CHAR(7) NULLIF emps.emps.emp_id=BLANKS
    )
),
3  proj_cnt     FILLER CHAR(3),
4  projects    NESTED TABLE SDF (CONSTANT "pr.txt" "fix 57") COUNT (proj_cnt)
(
  projects     COLUMN OBJECT
  (
    project_id  POSITION (1:5) INTEGER EXTERNAL(5),
    project_name POSITION (7:30) CHAR
                NULLIF projects.projects.project_name = BLANKS
  )
)
)
)

```

**Datafile (sample.dat)**

```

101,MATH,"Napier",28,2828,"Euclid", 123,9999:0
210,"Topological Transforms",:2

```

**Secondary Datafile (SDF) (pr.txt)**

```

21034 Topological Transforms
77777 Impossible Proof

```

**Notes**

1. The `TERMINATED BY` clause specifies the `VARRAY` instance terminator (note that no `COUNT` clause is used).
2. Full name field references (using dot notation) resolve the field name conflict created by the presence of this filler field.
3. `proj_cnt` is a filler field used as an argument to the `COUNT` clause.
4. This entry specifies the following:
  - An SDF called `pr.txt` as the source of data. It also specifies a fixed-record format within the SDF.
  - If `COUNT` is 0, then the collection is initialized to empty. Another way to initialize a collection to empty is to use a `DEFAULTIF` clause. The main field name corresponding to the nested table field description is the same as the field name of its nested nonfiller-field, specifically, the name of the column object field description.

**Secondary Datafiles (SDFs)**

Secondary datafiles (SDFs) are similar in concept to primary datafiles. Like primary datafiles, SDFs are a collection of records, and each record is made up of fields. The SDFs are specified on a per control-file-field basis. They are useful when you load large nested tables and `VARRAYs`.

---



---

**Note:** Only a `collection_fld_spec` can name an SDF as its data source.

---



---

SDFs are specified using the `SDF` parameter. The `SDF` parameter can be followed by either the file specification string, or a `FILLER` field that is mapped to a data field containing one or more file specification strings.

As for a primary datafile, the following can be specified for each SDF:

- The record format (fixed, stream, or variable). Also, if stream record format is used, you can specify the record separator.
- The record size.
- The character set for an SDF can be specified using the `CHARACTERSET` clause (see [Handling Different Character Encoding Schemes](#) on page 8-13).
- A default delimiter (using the delimiter specification) for the fields that inherit a particular SDF specification (all member fields or attributes of the collection that contain the SDF specification, with exception of the fields containing their own `LOBFILE` specification).

Also note the following with regard to SDFs:

- If a nonexistent SDF is specified as a data source for a particular field, that field is initialized to empty. If the concept of empty does not apply to the particular field type, the field is initialized to null.
- Table-level delimiters are not inherited by fields that are read from an SDF.
- To load SDFs larger than 64 KB, you must use the `READSIZE` parameter to specify a larger physical record size. You can specify the `READSIZE` parameter either from the command line or as part of an `OPTIONS` clause.

**See Also:**

- [READSIZE \(read buffer size\)](#) on page 7-8
- [OPTIONS Clause](#) on page 8-3
- [sdf\\_spec](#) on page A-10

## Dynamic Versus Static SDF Specifications

You can specify SDFs either statically (you specify the actual name of the file) or dynamically (you use a `FILLER` field as the source of the filename). In either case, when the EOF of an SDF is reached, the file is closed and further attempts at reading data from that particular file produce results equivalent to reading data from an empty field.

In a dynamic secondary file specification, this behavior is slightly different. Whenever the specification changes to reference a new file, the old file is closed, and the data is read from the beginning of the newly referenced file.

The dynamic switching of the data source files has a resetting effect. For example, when SQL\*Loader switches from the current file to a previously opened file, the previously opened file is reopened, and the data is read from the beginning of the file.

You should not specify the same SDF as the source of two different fields. If you do so, typically, the two fields will read the data independently.

## Loading a Parent Table Separately from Its Child Table

When you load a table that contains a nested table column, it may be possible to load the parent table separately from the child table. You can load the parent and child

tables independently if the SIDs (system-generated or user-defined) are already known at the time of the load (that is, the SIDs are in the datafile with the data).

[Example 10–25](#) illustrates how to load a parent table with user-provided SIDs.

#### **Example 10–25 Loading a Parent Table with User-Provided SIDs**

Control File Contents

```
LOAD DATA
  INFILE 'sample.dat' "str '|' \n"
  INTO TABLE dept
  FIELDS TERMINATED BY ',' OPTIONALLY ENCLOSED BY '"'
  TRAILING NULLCOLS
  ( dept_no    CHAR(3),
    dname      CHAR(20) NULLIF dname=BLANKS ,
    mysid      FILLER CHAR(32),
  1 projects  SID(mysid))
```

Datafile (sample.dat)

```
101,Math,21E978407D4441FCE03400400B403BC3,|
210,"Topology",21E978408D4441FCE03400400B403BC3,|
```

#### **Notes**

1. `mysid` is a filler field that is mapped to a datafile field containing the actual set IDs and is supplied as an argument to the `SID` clause.

[Example 10–26](#) illustrates how to load a child table (the nested table storage table) with user-provided SIDs.

#### **Example 10–26 Loading a Child Table with User-Provided SIDs**

Control File Contents

```
LOAD DATA
  INFILE 'sample.dat'
  INTO TABLE dept
  FIELDS TERMINATED BY ',' OPTIONALLY ENCLOSED BY '"'
  TRAILING NULLCOLS
  1 SID(sidsrc)
  (project_id    INTEGER EXTERNAL(5),
   project_name  CHAR(20) NULLIF project_name=BLANKS,
   sidsrc        FILLER CHAR(32))
```

Datafile (sample.dat)

```
21034, "Topological Transforms", 21E978407D4441FCE03400400B403BC3,
77777, "Impossible Proof", 21E978408D4441FCE03400400B403BC3,
```

#### **Notes**

1. The table-level `SID` clause tells `SQL*Loader` that it is loading the storage table for nested tables. `sidsrc` is the filler field name that is the source of the real set IDs.

## Memory Issues When Loading VARRAY Columns

The following list describes some issues to keep in mind when you load `VARRAY` columns:

- `VARRAYs` are created in the client's memory before they are loaded into the database. Each element of a `VARRAY` requires 4 bytes of client memory before it



can be loaded into the database. Therefore, when you load a `VARRAY` with a thousand elements, you will require at least 4000 bytes of client memory for each `VARRAY` instance before you can load the `VARRAYS` into the database. In many cases, `SQL*Loader` requires two to three times that amount of memory to successfully construct and load a `VARRAY`.

- The `BINDSIZE` parameter specifies the amount of memory allocated by `SQL*Loader` for loading records. Given the value specified for `BINDSIZE`, `SQL*Loader` takes into consideration the size of each field being loaded, and determines the number of rows it can load in one transaction. The larger the number of rows, the fewer transactions, resulting in better performance. But if the amount of memory on your system is limited, then at the expense of performance, you can specify a lower value for `ROWS` than `SQL*Loader` calculated.
- Loading very large `VARRAYS` or a large number of smaller `VARRAYS` could cause you to run out of memory during the load. If this happens, specify a smaller value for `BINDSIZE` or `ROWS` and retry the load.



---

---

## Conventional and Direct Path Loads

This chapter describes SQL\*Loader's conventional and direct path load methods. The following topics are covered:

- [Data Loading Methods](#)
- [Conventional Path Load](#)
- [Direct Path Load](#)
- [Using Direct Path Load](#)
- [Optimizing Performance of Direct Path Loads](#)
- [Optimizing Direct Path Loads on Multiple-CPU Systems](#)
- [Avoiding Index Maintenance](#)
- [Direct Loads, Integrity Constraints, and Triggers](#)
- [Parallel Data Loading Models](#)
- [General Performance Improvement Hints](#)

For an example of using the direct path load method, see case study 6, Loading Data Using the Direct Path Load Method. The other cases use the conventional path load method. (See [SQL\\*Loader Case Studies](#) on page 6-12 for information on how to access case studies.)

### Data Loading Methods

SQL\*Loader provides two methods for loading data:

- [Conventional Path Load](#)
- [Direct Path Load](#)

A conventional path load executes SQL `INSERT` statements to populate tables in an Oracle database. A direct path load eliminates much of the Oracle database overhead by formatting Oracle data blocks and writing the data blocks directly to the database files. A direct load does not compete with other users for database resources, so it can usually load data at near disk speed. Considerations inherent to direct path loads, such as restrictions, security, and backup implications, are discussed in this chapter.

The tables to be loaded must already exist in the database. SQL\*Loader never creates tables. It loads existing tables that either already contain data or are empty.

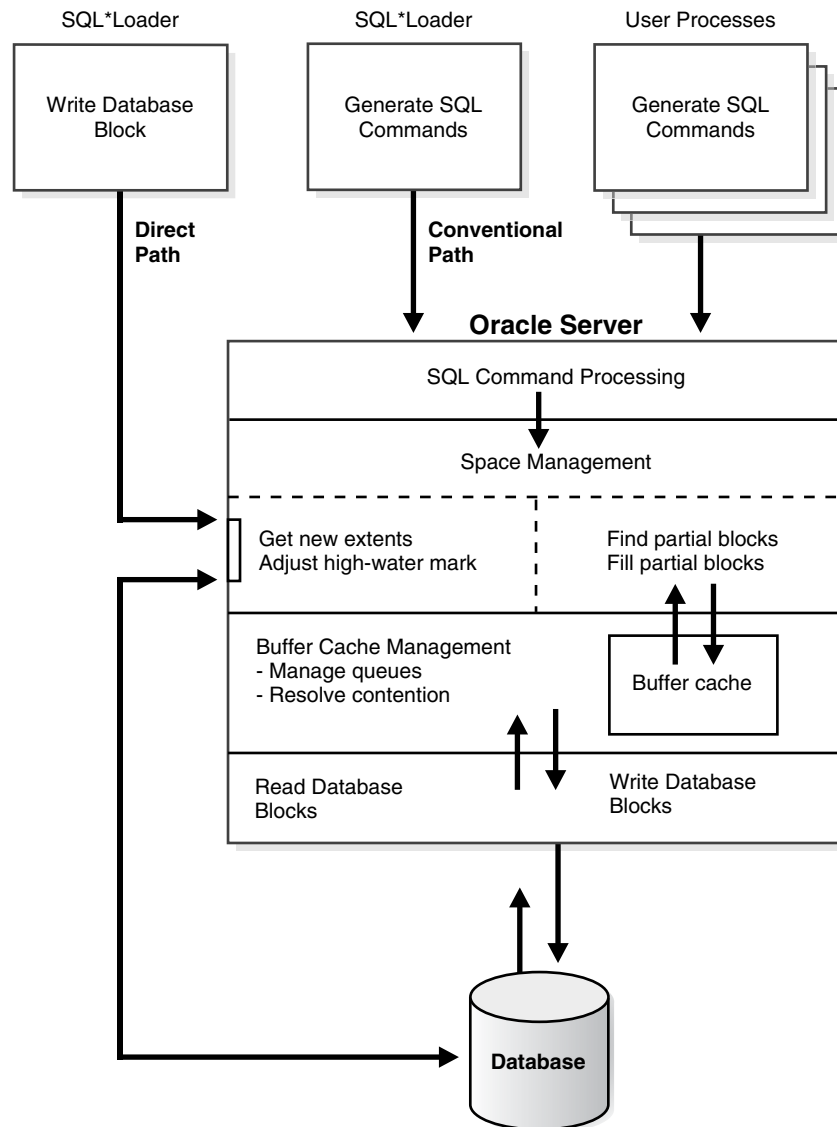
The following privileges are required for a load:

- You must have `INSERT` privileges on the table to be loaded.

- You must have DELETE privileges on the table to be loaded, when using the REPLACE or TRUNCATE option to empty old data from the table before loading the new data in its place.

Figure 11-1 shows how conventional and direct path loads perform database writes.

**Figure 11-1 Database Writes on SQL\*Loader Direct Path and Conventional Path**



## Loading ROWID Columns

In both conventional path and direct path, you can specify a text value for a ROWID column. (This is the same text you get when you perform a `SELECT ROWID FROM table_name` operation.) The character string interpretation of the ROWID is converted into the ROWID type for a column in a table.

## Conventional Path Load

Conventional path load (the default) uses the SQL `INSERT` statement and a bind array buffer to load data into database tables. This method is used by all Oracle tools and applications.

When SQL\*Loader performs a conventional path load, it competes equally with all other processes for buffer resources. This can slow the load significantly. Extra overhead is added as SQL statements are generated, passed to Oracle, and executed.

The Oracle database looks for partially filled blocks and attempts to fill them on each insert. Although appropriate during normal use, this can slow bulk loads dramatically.

**See Also:** [Discontinued Conventional Path Loads](#) on page 8-19

### Conventional Path Load of a Single Partition

By definition, a conventional path load uses SQL `INSERT` statements. During a conventional path load of a single partition, SQL\*Loader uses the partition-extended syntax of the `INSERT` statement, which has the following form:

```
INSERT INTO TABLE T PARTITION (P) VALUES ...
```

The SQL layer of the Oracle kernel determines if the row being inserted maps to the specified partition. If the row does not map to the partition, the row is rejected, and the SQL\*Loader log file records an appropriate error message.

### When to Use a Conventional Path Load

If load speed is most important to you, you should use direct path load because it is faster than conventional path load. However, certain restrictions on direct path loads may require you to use a conventional path load. You should use a conventional path load in the following situations:

- When accessing an indexed table concurrently with the load, or when applying inserts or updates to a nonindexed table concurrently with the load
 

To use a direct path load (with the exception of parallel loads), SQL\*Loader must have exclusive write access to the table and exclusive read/write access to any indexes.
- When loading data into a clustered table
 

A direct path load does not support loading of clustered tables.
- When loading a relatively small number of rows into a large indexed table
 

During a direct path load, the existing index is copied when it is merged with the new index keys. If the existing index is very large and the number of new keys is very small, then the index copy time can offset the time saved by a direct path load.
- When loading a relatively small number of rows into a large table with referential and column-check integrity constraints
 

Because these constraints cannot be applied to rows loaded on the direct path, they are disabled for the duration of the load. Then they are applied to the whole table when the load completes. The costs could outweigh the savings for a very large table and a small number of new rows.

- When loading records and you want to ensure that a record is rejected under any of the following circumstances:
  - If the record, upon insertion, causes an Oracle error
  - If the record is formatted incorrectly, so that SQL\*Loader cannot find field boundaries
  - If the record violates a constraint or tries to make a unique index non-unique

## Direct Path Load

Instead of filling a bind array buffer and passing it to the Oracle database with a SQL `INSERT` statement, a direct path load uses the direct path API to pass the data to be loaded to the load engine in the server. The load engine builds a column array structure from the data passed to it.

The direct path load engine uses the column array structure to format Oracle data blocks and build index keys. The newly formatted database blocks are written directly to the database (multiple blocks per I/O request using asynchronous writes if the host platform supports asynchronous I/O).

Internally, multiple buffers are used for the formatted blocks. While one buffer is being filled, one or more buffers are being written if asynchronous I/O is available on the host platform. Overlapping computation with I/O increases load performance.

**See Also:** [Discontinued Direct Path Loads](#) on page 8-19

## Data Conversion During Direct Path Loads

During a direct path load, data conversion occurs on the client side rather than on the server side. This means that NLS parameters in the initialization parameter file (server-side language handle) will not be used. To override this behavior, you can specify a format mask in the SQL\*Loader control file that is equivalent to the setting of the NLS parameter in the initialization parameter file, or set the appropriate environment variable. For example, to specify a date format for a field, you can either set the date format in the SQL\*Loader control file as shown in [Example 11-1](#) or set an `NLS_DATE_FORMAT` environment variable as shown in [Example 11-2](#).

### **Example 11-1** *Setting the Date Format in the SQL\*Loader Control File*

```
LOAD DATA
INFILE 'data.dat'
INSERT INTO TABLE emp
FIELDS TERMINATED BY "|"
(
EMPNO NUMBER(4) NOT NULL,
ENAME CHAR(10),
JOB CHAR(9),
MGR NUMBER(4),
HIREDATE DATE 'YYYYMMDD',
SAL NUMBER(7,2),
COMM NUMBER(7,2),
DEPTNO NUMBER(2)
)
```

### **Example 11-2** *Setting an NLS\_DATE\_FORMAT Environment Variable*

On UNIX Bourne or Korn shell:

```
% NLS_DATE_FORMAT='YYYYMMDD'
% export NLS_DATE_FORMAT
```

On UNIX csh:

```
%setenv NLS_DATE_FORMAT='YYYYMMDD'
```

## Direct Path Load of a Partitioned or Subpartitioned Table

When loading a partitioned or subpartitioned table, SQL\*Loader partitions the rows and maintains indexes (which can also be partitioned). Note that a direct path load of a partitioned or subpartitioned table can be quite resource-intensive for tables with many partitions or subpartitions.

---

**Note:** If you are performing a direct path load into multiple partitions and a space error occurs, the load is rolled back to the last commit point. If there was no commit point, then the entire load is rolled back. This ensures that no data encountered after the space error is written out to a different partition.

You can use the `ROWS` parameter to specify the frequency of the commit points. If the `ROWS` parameter is not specified, the entire load is rolled back.

---

## Direct Path Load of a Single Partition or Subpartition

When loading a single partition of a partitioned or subpartitioned table, SQL\*Loader partitions the rows and rejects any rows that do not map to the partition or subpartition specified in the SQL\*Loader control file. Local index partitions that correspond to the data partition or subpartition being loaded are maintained by SQL\*Loader. Global indexes are not maintained on single partition or subpartition direct path loads. During a direct path load of a single partition, SQL\*Loader uses the partition-extended syntax of the `LOAD` statement, which has either of the following forms:

```
LOAD INTO TABLE T PARTITION (P) VALUES ...
```

```
LOAD INTO TABLE T SUBPARTITION (P) VALUES ...
```

While you are loading a partition of a partitioned or subpartitioned table, you are also allowed to perform DML operations on, and direct path loads of, other partitions in the table.

Although a direct path load minimizes database processing, several calls to the Oracle database are required at the beginning and end of the load to initialize and finish the load, respectively. Also, certain DML locks are required during load initialization and are released when the load completes. The following operations occur during the load: index keys are built and put into a sort, and space management routines are used to get new extents when needed and to adjust the upper boundary (high-water mark) for a data savepoint. See [Using Data Saves to Protect Against Data Loss](#) on page 11-10 for information about adjusting the upper boundary.

## Advantages of a Direct Path Load

A direct path load is faster than the conventional path for the following reasons:

- Partial blocks are not used, so no reads are needed to find them, and fewer writes are performed.

- SQL\*Loader need not execute any SQL `INSERT` statements; therefore, the processing load on the Oracle database is reduced.
  - A direct path load calls on Oracle to lock tables and indexes at the start of the load and releases them when the load is finished. A conventional path load calls Oracle once for each array of rows to process a SQL `INSERT` statement.
  - A direct path load uses multiblock asynchronous I/O for writes to the database files.
  - During a direct path load, processes perform their own write I/O, instead of using Oracle's buffer cache. This minimizes contention with other Oracle users.
  - The sorted indexes option available during direct path loads enables you to presort data using high-performance sort routines that are native to your system or installation.
  - When a table to be loaded is empty, the presorting option eliminates the sort and merge phases of index-building. The index is filled in as data arrives.
  - Protection against instance failure does not require redo log file entries during direct path loads. Therefore, no time is required to log the load when:
    - The Oracle database has the SQL `NOARCHIVELOG` parameter enabled
    - The SQL\*Loader `UNRECOVERABLE` clause is enabled
    - The object being loaded has the SQL `NOLOGGING` parameter set
- See [Instance Recovery and Direct Path Loads](#) on page 11-11.

## Restrictions on Using Direct Path Loads

The following conditions must be satisfied for you to use the direct path load method:

- Tables are not clustered.
- Tables to be loaded do not have any active transactions pending.

To check for this condition, use the Oracle Enterprise Manager command `MONITOR TABLE` to find the object ID for the tables you want to load. Then use the command `MONITOR LOCK` to see if there are any locks on the tables.
- For versions of the database prior to Oracle9*i*, you can perform a SQL\*Loader direct path load only when the client and server are the same version. This also means that you cannot perform a direct path load of Oracle9*i* data into a database of an earlier version. For example, you cannot use direct path load to load data from a release 9.0.1 database into a release 8.1.7 database.

Beginning with Oracle9*i*, you can perform a SQL\*Loader direct path load when the client and server are different versions. However, both versions must be at least release 9.0.1 and the client version must be the same as or lower than the server version. For example, you can perform a direct path load from a release 9.0.1 database into a release 9.2 database. However, you cannot use direct path load to load data from a release 10.0.0 database into a release 9.2 database.
- Tables to be loaded in direct path mode do not have VPD policies active on `INSERT`.

The following features are not available with direct path load:

- Loading a parent table together with a child table
- Loading `BFILE` columns



- Use of `CREATE SEQUENCE` during the load. This is because in direct path loads there is no SQL being generated to fetch the next value since direct path does not generate `INSERT` statements.

## Restrictions on a Direct Path Load of a Single Partition

In addition to the previously listed restrictions, loading a single partition has the following restrictions:

- The table that the partition is a member of cannot have any global indexes defined on it.
- Enabled referential and check constraints on the table that the partition is a member of are not allowed.
- Enabled triggers are not allowed.

## When to Use a Direct Path Load

If none of the previous restrictions apply, you should use a direct path load when:

- You have a large amount of data to load quickly. A direct path load can quickly load and index large amounts of data. It can also load data into either an empty or nonempty table.
- You want to load data in parallel for maximum performance. See [Parallel Data Loading Models](#) on page 11-23.

## Integrity Constraints

All integrity constraints are enforced during direct path loads, although not necessarily at the same time. `NOT NULL` constraints are enforced during the load. Records that fail these constraints are rejected.

`UNIQUE` constraints are enforced both during and after the load. A record that violates a `UNIQUE` constraint is not rejected (the record is not available in memory when the constraint violation is detected).

Integrity constraints that depend on other rows or tables, such as referential constraints, are disabled before the direct path load and must be reenabled afterwards. If `REENABLE` is specified, `SQL*Loader` can reenable them automatically at the end of the load. When the constraints are reenabled, the entire table is checked. Any rows that fail this check are reported in the specified error log. See [Direct Loads, Integrity Constraints, and Triggers](#) on page 11-18.

## Field Defaults on the Direct Path

Default column specifications defined in the database are not available when you use direct path loading. Fields for which default values are desired must be specified with the `DEFAULTIF` clause. If a `DEFAULTIF` clause is not specified and the field is `NULL`, then a null value is inserted into the database.

## Loading into Synonyms

You can load data into a synonym for a table during a direct path load, but the synonym must point directly to a table. It cannot be a synonym for a view, or a synonym for another synonym.

## Using Direct Path Load

This section explains how to use the SQL\*Loader direct path load method.

### Setting Up for Direct Path Loads

To prepare the database for direct path loads, you must run the setup script, `catldr.sql`, to create the necessary views. You need only run this script once for each database you plan to do direct loads to. You can run this script during database installation if you know then that you will be doing direct loads.

### Specifying a Direct Path Load

To start SQL\*Loader in direct path load mode, set the `DIRECT` parameter to `true` on the command line or in the parameter file, if used, in the format:

```
DIRECT=true
```

#### See Also:

- [Optimizing Performance of Direct Path Loads](#) on page 11-12 for information about parameters you can use to optimize performance of direct path loads
- [Optimizing Direct Path Loads on Multiple-CPU Systems](#) on page 11-17 if you are doing a direct path load on a multiple-CPU system or across systems

### Building Indexes

You can improve performance of direct path loads by using temporary storage. After each block is formatted, the new index keys are put in a sort (temporary) segment. The old index and the new keys are merged at load finish time to create the new index. The old index, sort (temporary) segment, and new index segment all require storage until the merge is complete. Then the old index and temporary segment are removed.

During a conventional path load, every time a row is inserted the index is updated. This method does not require temporary storage space, but it does add processing time.

#### Improving Performance

To improve performance on systems with limited memory, use the `SINGLEROW` parameter. For more information, see [SINGLEROW Option](#) on page 8-30.

---

---

**Note:** If, during a direct load, you have specified that the data is to be presorted and the existing index is empty, a temporary segment is not required, and no merge occurs—the keys are put directly into the index. See [Optimizing Performance of Direct Path Loads](#) on page 11-12 for more information.

---

---

When multiple indexes are built, the temporary segments corresponding to each index exist simultaneously, in addition to the old indexes. The new keys are then merged with the old indexes, one index at a time. As each new index is created, the old index and the corresponding temporary segment are removed.

**See Also:** *Oracle Database Administrator's Guide* for information about how to estimate index size and set storage parameters

### Temporary Segment Storage Requirements

To estimate the amount of temporary segment space needed for storing the new index keys (in bytes), use the following formula:

$$1.3 * \text{key\_storage}$$

In this formula, key storage is defined as follows:

$$\text{key\_storage} = (\text{number\_of\_rows}) * \\ ( 10 + \text{sum\_of\_column\_sizes} + \text{number\_of\_columns} )$$

The columns included in this formula are the columns in the index. There is one length byte per column, and 10 bytes per row are used for a ROWID and additional overhead.

The constant 1.3 reflects the average amount of extra space needed for sorting. This value is appropriate for most randomly ordered data. If the data arrives in exactly opposite order, twice the key-storage space is required for sorting, and the value of this constant would be 2.0. That is the worst case.

If the data is fully sorted, only enough space to store the index entries is required, and the value of this constant would be 1.0. See [Presorting Data for Faster Indexing](#) on page 11-13 for more information.

### Indexes Left in an Unusable State

SQL\*Loader leaves indexes in an Index Unusable state when the data segment being loaded becomes more up-to-date than the index segments that index it.

Any SQL statement that tries to use an index that is in an Index Unusable state returns an error. The following conditions cause a direct path load to leave an index or a partition of a partitioned index in an Index Unusable state:

- SQL\*Loader runs out of space for the index and cannot update the index.
- The data is not in the order specified by the SORTED INDEXES clause.
- There is an instance failure, or the Oracle shadow process fails while building the index.
- There are duplicate keys in a unique index.
- Data savepoints are being used, and the load fails or is terminated by a keyboard interrupt after a data savepoint occurred.

To determine if an index is in an Index Unusable state, you can execute a simple query:

```
SELECT INDEX_NAME, STATUS
FROM USER_INDEXES
WHERE TABLE_NAME = 'tablename';
```

If you are not the owner of the table, then search ALL\_INDEXES or DBA\_INDEXES instead of USER\_INDEXES.

To determine if an index partition is in an unusable state, you can execute the following query:

```
SELECT INDEX_NAME,
PARTITION_NAME,
STATUS FROM USER_IND_PARTITIONS
```

```
WHERE STATUS != 'VALID';
```

If you are not the owner of the table, then search `ALL_IND_PARTITIONS` and `DBA_IND_PARTITIONS` instead of `USER_IND_PARTITIONS`.

## Using Data Saves to Protect Against Data Loss

You can use data saves to protect against loss of data due to instance failure. All data loaded up to the last savepoint is protected against instance failure. To continue the load after an instance failure, determine how many rows from the input file were processed before the failure, then use the `SKIP` parameter to skip those processed rows.

If there are any indexes on the table, drop them before continuing the load, then re-create them after the load. See [Data Recovery During Direct Path Loads](#) on page 11-10 for more information about media and instance recovery.

---

---

**Note:** Indexes are not protected by a data save, because SQL\*Loader does not build indexes until after data loading completes. (The only time indexes are built during the load is when presorted data is loaded into an empty table, but these indexes are also unprotected.)

---

---

## Using the ROWS Parameter

The `ROWS` parameter determines when data saves occur during a direct path load. The value you specify for `ROWS` is the number of rows you want SQL\*Loader to read from the input file before saving inserts in the database.

A data save is an expensive operation. The value for `ROWS` should be set high enough so that a data save occurs once every 15 minutes or longer. The intent is to provide an upper boundary (high-water mark) on the amount of work that is lost when an instance failure occurs during a long-running direct path load. Setting the value of `ROWS` to a small number adversely affects performance and data block space utilization.

## Data Save Versus Commit

In a conventional load, `ROWS` is the number of rows to read before a commit operation. A direct load data save is similar to a conventional load commit, but it is not identical.

The similarities are as follows:

- A data save will make the rows visible to other users.
- Rows cannot be rolled back after a data save.

The major difference is that in a direct path load data save, the indexes will be unusable (in Index Unusable state) until the load completes.

## Data Recovery During Direct Path Loads

SQL\*Loader provides full support for data recovery when using the direct path load method. There are two main types of recovery:

- Media - recovery from the loss of a database file. You must be operating in ARCHIVELOG mode to recover after you lose a database file.

- Instance - recovery from a system failure in which in-memory data was changed but lost due to the failure before it was written to disk. The Oracle database can always recover from instance failures, even when redo logs are not archived.

**See Also:** *Oracle Database Administrator's Guide* for more information about recovery

### Media Recovery and Direct Path Loads

If redo log file archiving is enabled (you are operating in ARCHIVELOG mode), SQL\*Loader logs loaded data when using the direct path, making media recovery possible. If redo log archiving is not enabled (you are operating in NOARCHIVELOG mode), then media recovery is not possible.

To recover a database file that was lost while it was being loaded, use the same method that you use to recover data loaded with the conventional path:

1. Restore the most recent backup of the affected database file.
2. Recover the tablespace using the RECOVER command.

**See Also:** *Oracle Database Backup and Recovery User's Guide* for more information about the RMAN RECOVER command

### Instance Recovery and Direct Path Loads

Because SQL\*Loader writes directly to the database files, all rows inserted up to the last data save will automatically be present in the database files if the instance is restarted. Changes do not need to be recorded in the redo log file to make instance recovery possible.

If an instance failure occurs, the indexes being built may be left in an Index Unusable state. Indexes that are Unusable must be rebuilt before you can use the table or partition. See [Indexes Left in an Unusable State](#) on page 11-9 for information about how to determine if an index has been left in Index Unusable state.

## Loading Long Data Fields

Data that is longer than SQL\*Loader's maximum buffer size can be loaded on the direct path by using LOBs. You can improve performance when doing this by using a large STREAMSIZE value.

**See Also:**

- [Loading LOBs](#) on page 10-14
- [Specifying the Number of Column Array Rows and Size of Stream Buffers](#) on page 11-15

You could also load data that is longer than the maximum buffer size by using the PIECED parameter, as described in the next section, but Oracle highly recommends that you use LOBs instead.

### Loading Data As PIECED

The PIECED parameter can be used to load data in sections, if the data is in the last column of the logical record.

Declaring a column as PIECED informs the direct path loader that a LONG field might be split across multiple physical records (pieces). In such cases, SQL\*Loader processes each piece of the LONG field as it is found in the physical record. All the pieces are read

before the record is processed. SQL\*Loader makes no attempt to materialize the LONG field before storing it; however, all the pieces are read before the record is processed.

The following restrictions apply when you declare a column as PIECED:

- This option is only valid on the direct path.
- Only one field per table may be PIECED.
- The PIECED field must be the last field in the logical record.
- The PIECED field may not be used in any WHEN, NULLIF, or DEFAULTIF clauses.
- The PIECED field's region in the logical record must not overlap with any other field's region.
- The PIECED corresponding database column may not be part of the index.
- It may not be possible to load a rejected record from the bad file if it contains a PIECED field.

For example, a PIECED field could span three records. SQL\*Loader loads the piece from the first record and then reuses the buffer for the second buffer. After loading the second piece, the buffer is reused for the third record. If an error is then discovered, only the third record is placed in the bad file because the first two records no longer exist in the buffer. As a result, the record in the bad file would not be valid.

## Optimizing Performance of Direct Path Loads

You can control the time and temporary storage used during direct path loads.

To minimize time:

- Preallocate storage space
- Presort the data
- Perform infrequent data saves
- Minimize use of the redo log
- Specify the number of column array rows and the size of the stream buffer
- Specify a date cache value

To minimize space:

- When sorting data before the load, sort data on the index that requires the most temporary storage space
- Avoid index maintenance during the load

## Preallocating Storage for Faster Loading

SQL\*Loader automatically adds extents to the table if necessary, but this process takes time. For faster loads into a new table, allocate the required extents when the table is created.

To calculate the space required by a table, see the information about managing database files in the *Oracle Database Administrator's Guide*. Then use the INITIAL or MINEXTENTS clause in the SQL CREATE TABLE statement to allocate the required space.

Another approach is to size extents large enough so that extent allocation is infrequent.

## Presorting Data for Faster Indexing

You can improve the performance of direct path loads by presorting your data on indexed columns. Presorting minimizes temporary storage requirements during the load. Presorting also enables you to take advantage of high-performance sorting routines that are optimized for your operating system or application.

If the data is presorted and the existing index is not empty, then presorting minimizes the amount of temporary segment space needed for the new keys. The sort routine appends each new key to the key list.

Instead of requiring extra space for sorting, only space for the keys is needed. To calculate the amount of storage needed, use a sort factor of 1.0 instead of 1.3. For more information about estimating storage requirements, see [Temporary Segment Storage Requirements](#) on page 11-9.

If presorting is specified and the existing index is empty, then maximum efficiency is achieved. The new keys are simply inserted into the index. Instead of having a temporary segment and new index existing simultaneously with the empty, old index, only the new index exists. So, temporary storage is not required, and time is saved.

### **SORTED INDEXES Clause**

The `SORTED INDEXES` clause identifies the indexes on which the data is presorted. This clause is allowed only for direct path loads. See case study 6, *Loading Data Using the Direct Path Load Method*, for an example. (See [SQL\\*Loader Case Studies](#) on page 6-12 for information on how to access case studies.)

Generally, you specify only one index in the `SORTED INDEXES` clause, because data that is sorted for one index is not usually in the right order for another index. When the data is in the same order for multiple indexes, however, all indexes can be specified at once.

All indexes listed in the `SORTED INDEXES` clause must be created before you start the direct path load.

### **Unsorted Data**

If you specify an index in the `SORTED INDEXES` clause, and the data is not sorted for that index, then the index is left in an Index Unusable state at the end of the load. The data is present, but any attempt to use the index results in an error. Any index that is left in an Index Unusable state must be rebuilt after the load.

### **Multiple-Column Indexes**

If you specify a multiple-column index in the `SORTED INDEXES` clause, the data should be sorted so that it is ordered first on the first column in the index, next on the second column in the index, and so on.

For example, if the first column of the index is city, and the second column is last name; then the data should be ordered by name within each city, as in the following list:

Albuquerque	Adams
Albuquerque	Hartstein
Albuquerque	Klein
...	...
Boston	Andrews
Boston	Bobrowski
Boston	Heigham
...	...

### Choosing the Best Sort Order

For the best overall performance of direct path loads, you should presort the data based on the index that requires the most temporary segment space. For example, if the primary key is one numeric column, and the secondary key consists of three text columns, then you can minimize both sort time and storage requirements by presorting on the secondary key.

To determine the index that requires the most storage space, use the following procedure:

1. For each index, add up the widths of all columns in that index.
2. For a single-table load, pick the index with the largest overall width.
3. For each table in a multiple-table load, identify the index with the largest overall width. If the same number of rows are to be loaded into each table, then again pick the index with the largest overall width. Usually, the same number of rows are loaded into each table.
4. If a different number of rows are to be loaded into the indexed tables in a multiple-table load, then multiply the width of each index identified in Step 3 by the number of rows that are to be loaded into that index, and pick the index with the largest result.

### Infrequent Data Saves

Frequent data saves resulting from a small `ROWS` value adversely affect the performance of a direct path load. A small `ROWS` value can also result in wasted data block space because the last data block is not written to after a save, even if the data block is not full.

Because direct path loads can be many times faster than conventional loads, the value of `ROWS` should be considerably higher for a direct load than it would be for a conventional load.

During a data save, loading stops until all of SQL\*Loader's buffers are successfully written. You should select the largest value for `ROWS` that is consistent with safety. It is a good idea to determine the average time to load a row by loading a few thousand rows. Then you can use that value to select a good value for `ROWS`.

For example, if you can load 20,000 rows per minute, and you do not want to repeat more than 10 minutes of work after an interruption, then set `ROWS` to be 200,000 (20,000 rows/minute \* 10 minutes).

### Minimizing Use of the Redo Log

One way to speed a direct load dramatically is to minimize use of the redo log. There are three ways to do this. You can disable archiving, you can specify that the load is unrecoverable, or you can set the SQL `NOLOGGING` parameter for the objects being loaded. This section discusses all methods.

#### Disabling Archiving

If archiving is disabled, direct path loads do not generate full image redo. Use the SQL `ARCHIVELOG` and `NOARCHIVELOG` parameters to set the archiving mode. See the *Oracle Database Administrator's Guide* for more information about archiving.



## Specifying the SQL\*Loader UNRECOVERABLE Clause

To save time and space in the redo log file, use the SQL\*Loader `UNRECOVERABLE` clause in the control file when you load data. An unrecoverable load does not record loaded data in the redo log file; instead, it generates invalidation redo.

The `UNRECOVERABLE` clause applies to all objects loaded during the load session (both data and index segments). Therefore, media recovery is disabled for the loaded table, although database changes by other users may continue to be logged.

---

**Note:** Because the data load is not logged, you may want to make a backup of the data after loading.

---

If media recovery becomes necessary on data that was loaded with the `UNRECOVERABLE` clause, the data blocks that were loaded are marked as logically corrupted.

To recover the data, drop and re-create the data. It is a good idea to do backups immediately after the load to preserve the otherwise unrecoverable data.

By default, a direct path load is `RECOVERABLE`.

The following is an example of specifying the `UNRECOVERABLE` clause in the control file:

```
UNRECOVERABLE
LOAD DATA
INFILE 'sample.dat'
INTO TABLE emp
(ename VARCHAR2(10), empno NUMBER(4));
```

## Setting the SQL NOLOGGING Parameter

If a data or index segment has the `SQL NOLOGGING` parameter set, then full image redo logging is disabled for that segment (invalidation redo is generated). Use of the `NOLOGGING` parameter allows a finer degree of control over the objects that are not logged.

## Specifying the Number of Column Array Rows and Size of Stream Buffers

The number of column array rows determines the number of rows loaded before the stream buffer is built. The `STREAMSIZE` parameter specifies the size (in bytes) of the data stream sent from the client to the server.

Use the `COLUMNARRAYROWS` parameter to specify a value for the number of column array rows. Note that when `VARRAYs` are loaded using direct path, the `COLUMNARRAYROWS` parameter defaults to 100 to avoid client object cache thrashing.

Use the `STREAMSIZE` parameter to specify the size for direct path stream buffers.

The optimal values for these parameters vary, depending on the system, input datatypes, and Oracle column datatypes used. When you are using optimal values for your particular configuration, the elapsed time in the SQL\*Loader log file should go down.

To see a list of default values for these and other parameters, invoke SQL\*Loader without any parameters, as described in [Invoking SQL\\*Loader](#) on page 7-1.

---

---

**Note:** You should monitor process paging activity, because if paging becomes excessive, performance can be significantly degraded. You may need to lower the values for READSIZE, STREAMSIZE, and COLUMNARRAYROWS to avoid excessive paging.

---

---

It can be particularly useful to specify the number of column array rows and size of the steam buffer when you perform direct path loads on multiple-CPU systems. See [Optimizing Direct Path Loads on Multiple-CPU Systems](#) on page 11-17 for more information.

## Specifying a Value for the Date Cache

If you are performing a direct path load in which the same date or timestamp values are loaded many times, a large percentage of total load time can end up being used for converting date and timestamp data. This is especially true if multiple date columns are being loaded. In such a case, it may be possible to improve performance by using the SQL\*Loader date cache.

The date cache reduces the number of date conversions done when many duplicate values are present in the input data. It enables you to specify the number of unique dates anticipated during the load.

The date cache is enabled by default. To completely disable the date cache, set it to 0.

The default date cache size is 1000 elements. If the default is used and the number of unique input values loaded exceeds 1000, then the date cache is automatically disabled for that table. This prevents excessive and unnecessary lookup times that could affect performance. However, if instead of using the default, you specify a nonzero value for the date cache and it is exceeded, the date cache is *not* disabled. Instead, any input data that exceeded the maximum is explicitly converted using the appropriate conversion routines.

The date cache can be associated with only one table. No date cache sharing can take place across tables. A date cache is created for a table only if all of the following conditions are true:

- The DATE\_CACHE parameter is not set to 0
- One or more date values, timestamp values, or both are being loaded that require datatype conversion in order to be stored in the table
- The load is a direct path load

Date cache statistics are written to the log file. You can use those statistics to improve direct path load performance as follows:

- If the number of cache entries is less than the cache size and there are no cache misses, then the cache size could safely be set to a smaller value.
- If the number of cache hits (entries for which there are duplicate values) is small and the number of cache misses is large, then the cache size should be increased. Be aware that if the cache size is increased too much, it may cause other problems, such as excessive paging or too much memory usage.
- If most of the input date values are unique, the date cache will not enhance performance and therefore should not be used.

---



---

**Note:** Date cache statistics are *not* written to the SQL\*Loader log file if the cache was active by default and disabled because the maximum was exceeded.

---



---

If increasing the cache size does not improve performance, revert to the default behavior or set the cache size to 0. The overall performance improvement also depends on the datatypes of the other columns being loaded. Improvement will be greater for cases in which the total number of date columns loaded is large compared to other types of data loaded.

**See Also:** [DATE\\_CACHE](#) on page 7-3

## Optimizing Direct Path Loads on Multiple-CPU Systems

If you are performing direct path loads on a multiple-CPU system, SQL\*Loader uses multithreading by default. A multiple-CPU system in this case is defined as a single system that has two or more CPUs.

Multithreaded loading means that, when possible, conversion of the column arrays to stream buffers and stream buffer loading are performed in parallel. This optimization works best when:

- Column arrays are large enough to generate multiple direct path stream buffers for loads
- Data conversions are required from input field datatypes to Oracle column datatypes

The conversions are performed in parallel with stream buffer loading.

The status of this process is recorded in the SQL\*Loader log file, as shown in the following sample portion of a log:

```
Total stream buffers loaded by SQL*Loader main thread:      47
Total stream buffers loaded by SQL*Loader load thread:      180
Column array rows:                                         1000
Stream buffer bytes:                                       256000
```

In this example, the SQL\*Loader load thread has offloaded the SQL\*Loader main thread, allowing the main thread to build the next stream buffer while the load thread loads the current stream on the server.

The goal is to have the load thread perform as many stream buffer loads as possible. This can be accomplished by increasing the number of column array rows, decreasing the stream buffer size, or both. You can monitor the elapsed time in the SQL\*Loader log file to determine whether your changes are having the desired effect. See [Specifying the Number of Column Array Rows and Size of Stream Buffers](#) on page 11-15 for more information.

On single-CPU systems, optimization is turned off by default. When the server is on another system, performance may improve if you manually turn on multithreading.

To turn the multithreading option on or off, use the `MULTITHREADING` parameter at the SQL\*Loader command line or specify it in your SQL\*Loader control file.

**See Also:** *Oracle Call Interface Programmer's Guide* for more information about the concepts of direct path loading

## Avoiding Index Maintenance

For both the conventional path and the direct path, SQL\*Loader maintains all existing indexes for a table.

To avoid index maintenance, use one of the following methods:

- Drop the indexes prior to the beginning of the load.
- Mark selected indexes or index partitions as Index Unusable prior to the beginning of the load and use the `SKIP_UNUSABLE_INDEXES` parameter.
- Use the `SKIP_INDEX_MAINTENANCE` parameter (direct path only, use with caution).

By avoiding index maintenance, you minimize the amount of space required during a direct path load, in the following ways:

- You can build indexes one at a time, reducing the amount of sort (temporary) segment space that would otherwise be needed for each index.
- Only one index segment exists when an index is built, instead of the three segments that temporarily exist when the new keys are merged into the old index to make the new index.

Avoiding index maintenance is quite reasonable when the number of rows to be loaded is large compared to the size of the table. But if relatively few rows are added to a large table, then the time required to resort the indexes may be excessive. In such cases, it is usually better to use the conventional path load method, or to use the `SINGLEROW` parameter of SQL\*Loader. For more information, see [SINGLEROW Option](#) on page 8-30.

## Direct Loads, Integrity Constraints, and Triggers

With the conventional path load method, arrays of rows are inserted with standard SQL `INSERT` statements—integrity constraints and insert triggers are automatically applied. But when you load data with the direct path, SQL\*Loader disables some integrity constraints and all database triggers. This section discusses the implications of using direct path loads with respect to these features.

### Integrity Constraints

During a direct path load, some integrity constraints are automatically disabled. Others are not. For a description of the constraints, see the information about maintaining data integrity in the *Oracle Database Advanced Application Developer's Guide*.

#### Enabled Constraints

During a direct path load, the constraints that remain enabled are as follows:

- `NOT NULL`
- `UNIQUE`
- `PRIMARY KEY` (unique-constraints on not-null columns)

`NOT NULL` constraints are checked at column array build time. Any row that violates the `NOT NULL` constraint is rejected.

Even though `UNIQUE` constraints remain enabled during direct path loads, any rows that violate those constraints are loaded anyway (this is different than in conventional

path in which such rows would be rejected). When indexes are rebuilt at the end of the direct path load, UNIQUE constraints are verified and if a violation is detected, the index will be left in an Index Unusable state. See [Indexes Left in an Unusable State](#) on page 11-9.

## Disabled Constraints

During a direct path load, the following constraints are automatically disabled by default:

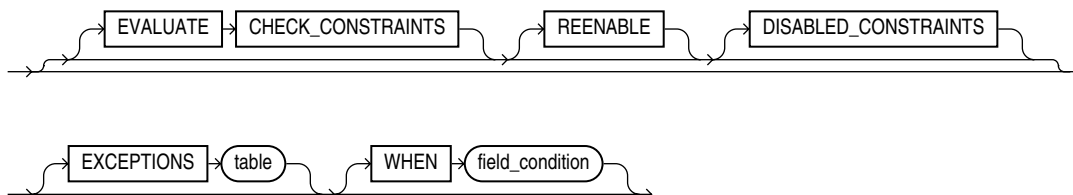
- CHECK constraints
- Referential constraints (FOREIGN KEY)

You can override the automatic disabling of CHECK constraints by specifying the `EVALUATE CHECK_CONSTRAINTS` clause. SQL\*Loader will then evaluate CHECK constraints during a direct path load. Any row that violates the CHECK constraint is rejected. The following example shows the use of the `EVALUATE CHECK_CONSTRAINTS` clause in a SQL\*Loader control file:

```
LOAD DATA
INFILE *
APPEND
INTO TABLE emp
EVALUATE CHECK_CONSTRAINTS
FIELDS TERMINATED BY ',' OPTIONALLY ENCLOSED BY '"'
(c1 CHAR(10) ,c2)
BEGINDATA
Jones,10
Smith,20
Brown,30
Taylor,40
```

## Reenable Constraints

When the load completes, the integrity constraints will be reenabled automatically if the `REENABLE` clause is specified. The syntax for the `REENABLE` clause is as follows:



The optional parameter `DISABLED_CONSTRAINTS` is provided for readability. If the `EXCEPTIONS` clause is included, the table must already exist, and you must be able to insert into it. This table contains the ROWIDs of all rows that violated one of the integrity constraints. It also contains the name of the constraint that was violated. See *Oracle Database SQL Language Reference* for instructions on how to create an exceptions table.

The SQL\*Loader log file describes the constraints that were disabled, the ones that were reenabled, and what error, if any, prevented reenabling or validating of each constraint. It also contains the name of the exceptions table specified for each loaded table.

If the `REENABLE` clause is not used, then the constraints must be reenabled manually, at which time all rows in the table are verified. If the Oracle database finds any errors

in the new data, error messages are produced. The names of violated constraints and the ROWIDs of the bad data are placed in an exceptions table, if one is specified.

If the `REENABLE` clause is used, `SQL*Loader` automatically reenables the constraint and then verifies all new rows. If no errors are found in the new data, `SQL*Loader` automatically marks the constraint as validated. If any errors *are* found in the new data, error messages are written to the log file and `SQL*Loader` marks the status of the constraint as `ENABLE NOVALIDATE`. The names of violated constraints and the ROWIDs of the bad data are placed in an exceptions table, if one is specified.

---

---

**Note:** Normally, when a table constraint is left in an `ENABLE NOVALIDATE` state, new data can be inserted into the table but no new invalid data may be inserted. However, `SQL*Loader` direct path load does not enforce this rule. Thus, if subsequent direct path loads are performed with invalid data, the invalid data will be inserted but the same error reporting and exception table processing as described previously will take place. In this scenario the exception table may contain duplicate entries if it is not cleared out before each load. Duplicate entries can easily be filtered out by performing a query such as the following:

```
SELECT UNIQUE * FROM exceptions_table;
```

---

---

**Note:** Because referential integrity must be reverified for the entire table, performance may be improved by using the conventional path, instead of the direct path, when a small number of rows are to be loaded into a very large table.

---

---

## Database Insert Triggers

Table insert triggers are also disabled when a direct path load begins. After the rows are loaded and indexes rebuilt, any triggers that were disabled are automatically reenabled. The log file lists all triggers that were disabled for the load. There should not be any errors reenabling triggers.

Unlike integrity constraints, insert triggers are not reapplied to the whole table when they are enabled. As a result, insert triggers do *not* fire for any rows loaded on the direct path. When using the direct path, the application must ensure that any behavior associated with insert triggers is carried out for the new rows.

### Replacing Insert Triggers with Integrity Constraints

Applications commonly use insert triggers to implement integrity constraints. Most of the triggers that these application insert are simple enough that they can be replaced with Oracle's automatic integrity constraints.

### When Automatic Constraints Cannot Be Used

Sometimes an insert trigger cannot be replaced with Oracle's automatic integrity constraints. For example, if an integrity check is implemented with a table lookup in an insert trigger, then automatic check constraints cannot be used, because the automatic constraints can only reference constants and columns in the current row. This section describes two methods for duplicating the effects of such a trigger.

## Preparation

Before either method can be used, the table must be prepared. Use the following general guidelines to prepare the table:

1. Before the load, add a 1-byte or 1-character column to the table that marks rows as "old data" or "new data."
2. Let the value of null for this column signify "old data" because null columns do not take up space.
3. When loading, flag all loaded rows as "new data" with SQL\*Loader's `CONSTANT` parameter.

After following this procedure, all newly loaded rows are identified, making it possible to operate on the new data without affecting the old rows.

## Using an Update Trigger

Generally, you can use a database update trigger to duplicate the effects of an insert trigger. This method is the simplest. It can be used whenever the insert trigger does not raise any exceptions.

1. Create an update trigger that duplicates the effects of the insert trigger.  
Copy the trigger. Change all occurrences of "`new.column_name`" to "`old.column_name`".
2. Replace the current update trigger, if it exists, with the new one.
3. Update the table, changing the "new data" flag to null, thereby firing the update trigger.
4. Restore the original update trigger, if there was one.

Depending on the behavior of the trigger, it may be necessary to have exclusive update access to the table during this operation, so that other users do not inadvertently apply the trigger to rows they modify.

## Duplicating the Effects of Exception Conditions

If the insert trigger can raise an exception, then more work is required to duplicate its effects. Raising an exception would prevent the row from being inserted into the table. To duplicate that effect with an update trigger, it is necessary to mark the loaded row for deletion.

The "new data" column cannot be used as a delete flag, because an update trigger cannot modify the columns that caused it to fire. So another column must be added to the table. This column marks the row for deletion. A null value means the row is valid. Whenever the insert trigger would raise an exception, the update trigger can mark the row as invalid by setting a flag in the additional column.

In summary, when an insert trigger can raise an exception condition, its effects can be duplicated by an update trigger, provided:

- Two columns (which are usually null) are added to the table
- The table can be updated exclusively (if necessary)

## Using a Stored Procedure

The following procedure always works, but it is more complex to implement. It can be used when the insert trigger raises exceptions. It does not require a second additional

column; and, because it does not replace the update trigger, it can be used without exclusive access to the table.

1. Do the following to create a stored procedure that duplicates the effects of the insert trigger:
  - a. Declare a cursor for the table, selecting all new rows.
  - b. Open the cursor and fetch rows, one at a time, in a processing loop.
  - c. Perform the operations contained in the insert trigger.
  - d. If the operations succeed, change the "new data" flag to null.
  - e. If the operations fail, change the "new data" flag to "bad data."
2. Execute the stored procedure using an administration tool such as SQL\*Plus.
3. After running the procedure, check the table for any rows marked "bad data."
4. Update or remove the bad rows.
5. Reenable the insert trigger.

## Permanently Disabled Triggers and Constraints

SQL\*Loader needs to acquire several locks on the table to be loaded to disable triggers and constraints. If a competing process is enabling triggers or constraints at the same time that SQL\*Loader is trying to disable them for that table, then SQL\*Loader may not be able to acquire exclusive access to the table.

SQL\*Loader attempts to handle this situation as gracefully as possible. It attempts to reenable disabled triggers and constraints before exiting. However, the same table-locking problem that made it impossible for SQL\*Loader to continue may also have made it impossible for SQL\*Loader to finish enabling triggers and constraints. In such cases, triggers and constraints will remain disabled until they are manually enabled.

Although such a situation is unlikely, it is possible. The best way to prevent it is to make sure that no applications are running that could enable triggers or constraints for the table while the direct load is in progress.

If a direct load is terminated due to failure to acquire the proper locks, carefully check the log. It will show every trigger and constraint that was disabled, and each attempt to reenable them. Any triggers or constraints that were not reenabled by SQL\*Loader should be manually enabled with the `ENABLE` clause of the `ALTER TABLE` statement described in *Oracle Database SQL Language Reference*.

## Increasing Performance with Concurrent Conventional Path Loads

If triggers or integrity constraints pose a problem, but you want faster loading, you should consider using concurrent conventional path loads. That is, use multiple load sessions executing concurrently on a multiple-CPU system. Split the input datafiles into separate files on logical record boundaries, and then load each such input datafile with a conventional path load session. The resulting load has the following attributes:

- It is faster than a single conventional load on a multiple-CPU system, but probably not as fast as a direct load.
- Triggers fire, integrity constraints are applied to the loaded rows, and indexes are maintained using the standard DML execution logic.



## Parallel Data Loading Models

This section discusses three basic models of concurrency that you can use to minimize the elapsed time required for data loading:

- Concurrent conventional path loads
- Intersegment concurrency with the direct path load method
- Intrasegment concurrency with the direct path load method

### Concurrent Conventional Path Loads

Using multiple conventional path load sessions executing concurrently is discussed in [Increasing Performance with Concurrent Conventional Path Loads](#) on page 11-22. You can use this technique to load the same or different objects concurrently with no restrictions.

### Intersegment Concurrency with Direct Path

Intersegment concurrency can be used for concurrent loading of different objects. You can apply this technique to concurrent direct path loading of different tables, or to concurrent direct path loading of different partitions of the same table.

When you direct path load a single partition, consider the following items:

- Local indexes can be maintained by the load.
- Global indexes cannot be maintained by the load.
- Referential integrity and `CHECK` constraints must be disabled.
- Triggers must be disabled.
- The input data should be partitioned (otherwise many records will be rejected, which adversely affects performance).

### Intrasegment Concurrency with Direct Path

SQL\*Loader permits multiple, concurrent sessions to perform a direct path load into the same table, or into the same partition of a partitioned table. Multiple SQL\*Loader sessions improve the performance of a direct path load given the available resources on your system.

This method of data loading is enabled by setting both the `DIRECT` and the `PARALLEL` parameters to `true`, and is often referred to as a parallel direct path load.

It is important to realize that parallelism is user managed. Setting the `PARALLEL` parameter to `true` only allows multiple concurrent direct path load sessions.

### Restrictions on Parallel Direct Path Loads

The following restrictions are enforced on parallel direct path loads:

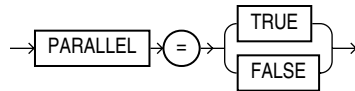
- Neither local nor global indexes can be maintained by the load.
- Referential integrity and `CHECK` constraints must be disabled.
- Triggers must be disabled.
- Rows can only be appended. `REPLACE`, `TRUNCATE`, and `INSERT` cannot be used (this is due to the individual loads not being coordinated). If you must truncate a table before a parallel load, you must do it manually.

- The table being loaded cannot have any LOB columns or columns stored as LOBs (such as VARRAYs).

If a parallel direct path load is being applied to a single partition, you should partition the data first (otherwise, the overhead of record rejection due to a partition mismatch slows down the load).

## Initiating Multiple SQL\*Loader Sessions

Each SQL\*Loader session takes a different datafile as input. In all sessions executing a direct load on the same table, you must set `PARALLEL` to `true`. The syntax is:



`PARALLEL` can be specified on the command line or in a parameter file. It can also be specified in the control file with the `OPTIONS` clause.

For example, to invoke three SQL\*Loader direct path load sessions on the same table, you would execute each of the following commands at the operating system prompt. After entering each command, you will be prompted for a password.

```

sqlldr USERID=scott CONTROL=load1.ct1 DIRECT=TRUE PARALLEL=true
sqlldr USERID=scott CONTROL=load2.ct1 DIRECT=TRUE PARALLEL=true
sqlldr USERID=scott CONTROL=load3.ct1 DIRECT=TRUE PARALLEL=true
  
```

The previous commands must be executed in separate sessions, or if permitted on your operating system, as separate background jobs. Note the use of multiple control files. This enables you to be flexible in specifying the files to use for the direct path load.

---



---

**Note:** Indexes are not maintained during a parallel load. Any indexes must be created or re-created manually after the load completes. You can use the parallel index creation or parallel index rebuild feature to speed the building of large indexes after a parallel load.

---



---

When you perform a parallel load, SQL\*Loader creates temporary segments for each concurrent session and then merges the segments upon completion. The segment created from the merge is then added to the existing segment in the database above the segment's high-water mark. The last extent used of each segment for each loader session is trimmed of any free space before being combined with the other extents of the SQL\*Loader session.

## Parameters for Parallel Direct Path Loads

When you perform parallel direct path loads, there are options available for specifying attributes of the temporary segment to be allocated by the loader. These options are specified with the `FILE` and `STORAGE` parameters. These parameters are valid only for parallel loads.

### Using the `FILE` Parameter to Specify Temporary Segments

To allow for maximum I/O throughput, Oracle recommends that each concurrent direct path load session use files located on different disks. In the SQL\*Loader control

file, use the `FILE` parameter of the `OPTIONS` clause to specify the filename of any valid datafile in the tablespace of the object (table or partition) being loaded.

For example:

```
LOAD DATA
INFILE 'load1.dat'
INSERT INTO TABLE emp
OPTIONS(FILE='/dat/data1.dat')
(empno POSITION(01:04) INTEGER EXTERNAL NULLIF empno=BLANKS
...

```

You could also specify the `FILE` parameter on the command line of each concurrent SQL\*Loader session, but then it would apply globally to all objects being loaded with that session.

**Using the FILE Parameter** The `FILE` parameter in the Oracle database has the following restrictions for parallel direct path loads:

- **For nonpartitioned tables:** The specified file must be in the tablespace of the table being loaded.
- **For partitioned tables, single-partition load:** The specified file must be in the tablespace of the partition being loaded.
- **For partitioned tables, full-table load:** The specified file must be in the tablespace of all partitions being loaded; that is, all partitions must be in the same tablespace.

**Using the STORAGE Parameter** You can use the `STORAGE` parameter to specify the storage attributes of the temporary segments allocated for a parallel direct path load. If the `STORAGE` parameter is not used, the storage attributes of the segment containing the object (table, partition) being loaded are used. Also, when the `STORAGE` parameter is not specified, SQL\*Loader uses a default of 2 KB for `EXTENTS`.

For example, the following `OPTIONS` clause could be used to specify `STORAGE` parameters:

```
OPTIONS (STORAGE=(INITIAL 100M NEXT 100M PCTINCREASE 0))
```

You can use the `STORAGE` parameter only in the SQL\*Loader control file, and not on the command line. Use of the `STORAGE` parameter to specify anything other than `PCTINCREASE` of 0, and `INITIAL` or `NEXT` values is strongly discouraged and may be silently ignored.

## Enabling Constraints After a Parallel Direct Path Load

Constraints and triggers must be enabled manually after all data loading is complete.

Because each SQL\*Loader session can attempt to reenabling constraints on a table after a direct path load, there is a danger that one session may attempt to reenabling a constraint before another session is finished loading data. In this case, the first session to complete the load will be unable to enable the constraint because the remaining sessions possess share locks on the table.

Because there is a danger that some constraints might not be reenabled after a direct path load, you should check the status of the constraint after completing the load to ensure that it was enabled properly.

## PRIMARY KEY and UNIQUE KEY Constraints

PRIMARY KEY and UNIQUE KEY constraints create indexes on a table when they are enabled, and subsequently can take a significantly long time to enable after a direct path loading session if the table is very large. You should consider enabling these constraints manually after a load (and not specifying the automatic enable feature). This enables you to manually create the required indexes in parallel to save time before enabling the constraint.

**See Also:** *Oracle Database Performance Tuning Guide*

## General Performance Improvement Hints

If you have control over the format of the data to be loaded, you can use the following hints to improve load performance:

- Make logical record processing efficient.
  - Use one-to-one mapping of physical records to logical records (avoid using CONTINUEIF and CONCATENATE).
  - Make it easy for the software to identify physical record boundaries. Use the file processing option string "FIX nnn" or "VAR". If you use the default (stream mode) on most platforms (for example, UNIX and NT) the loader must scan each physical record for the record terminator (newline character).
- Make field setting efficient. Field setting is the process of mapping fields in the datafile to their corresponding columns in the table being loaded. The mapping function is controlled by the description of the fields in the control file. Field setting (along with data conversion) is the biggest consumer of CPU cycles for most loads.
  - Avoid delimited fields; use positional fields. If you use delimited fields, the loader must scan the input data to find the delimiters. If you use positional fields, field setting becomes simple pointer arithmetic (very fast).
  - Do not trim whitespace if you do not need to (use PRESERVE BLANKS).
- Make conversions efficient. SQL\*Loader performs character set conversion and datatype conversion for you. Of course, the quickest conversion is no conversion.
  - Use single-byte character sets if you can.
  - Avoid character set conversions if you can. SQL\*Loader supports four character sets:
    - \* Client character set (NLS\_LANG of the client sqlldr process)
    - \* Datafile character set (usually the same as the client character set)
    - \* Database character set
    - \* Database national character set

Performance is optimized if all character sets are the same. For direct path loads, it is best if the datafile character set and the database character set are the same. If the character sets are the same, character set conversion buffers are not allocated.
- Use direct path loads.
- Use the SORTED INDEXES clause.

- Avoid unnecessary NULLIF and DEFAULTIF clauses. Each clause must be evaluated on each column that has a clause associated with it for every row loaded.
- Use parallel direct path loads and parallel index creation when you can.
- Be aware of the effect on performance when you have large values for both the CONCATENATE clause and the COLUMNARRAYROWS clause. See [Using CONCATENATE to Assemble Logical Records](#) on page 8-21.

Additionally, the performance tips provided in [Performance Hints When Using External Tables](#) on page 12-8 also apply to SQL\*Loader.



# Part III

---

---

## External Tables

The chapters in this part describe the use of external tables.

[Chapter 12, "External Tables Concepts"](#)

This chapter describes basic concepts about external tables.

[Chapter 13, "The ORACLE\\_LOADER Access Driver"](#)

This chapter describes the ORACLE\_LOADER access driver.

[Chapter 14, "The ORACLE\\_DATAPUMP Access Driver"](#)

This chapter describes the ORACLE\_DATAPUMP access driver, including its parameters, and information about loading and unloading supported datatypes.





---

---

## External Tables Concepts

The external tables feature is a complement to existing SQL\*Loader functionality. It enables you to access data in external sources as if it were in a table in the database.

Prior to Oracle Database 10g, external tables were read-only. However, as of Oracle Database 10g, external tables can also be written to. Note that SQL\*Loader may be the better choice in data loading situations that require additional indexing of the staging table. See [Behavior Differences Between SQL\\*Loader and External Tables](#) on page 12-10 for more information about how load behavior differs between SQL\*Loader and external tables.

To use the external tables feature, you must have some knowledge of the file format and record format of the datafiles on your platform if the `ORACLE_LOADER` access driver is used and the datafiles are in text format. You must also know enough about SQL to be able to create an external table and perform queries against it.

This chapter discusses the following topics:

- [How Are External Tables Created?](#)
- [Using External Tables to Load and Unload Data](#)
- [Datatype Conversion During External Table Use](#)
- [Parallel Access to External Tables](#)
- [Performance Hints When Using External Tables](#)
- [External Table Restrictions](#)
- [Behavior Differences Between SQL\\*Loader and External Tables](#)

### How Are External Tables Created?

External tables are created using the SQL `CREATE TABLE . . . ORGANIZATION EXTERNAL` statement. When you create an external table, you specify the following attributes:

- `TYPE` - specifies the type of external table. The two available types are the `ORACLE_LOADER` type and the `ORACLE_DATAPUMP` type. Each type of external table is supported by its own access driver.
  - The `ORACLE_LOADER` access driver is the default. It can perform only data loads, and the data must come from text datafiles. Loads from external tables to internal tables are done by reading from the text-only datafiles in the external table.
  - The `ORACLE_DATAPUMP` access driver can perform both loads and unloads. The data must come from binary dump files. Loads to internal tables from

external tables are done by fetching from the binary dump files. Unloads from internal tables to external tables are done by populating the binary dump files of the external table.

- **DEFAULT DIRECTORY** - specifies the default location of files that are read or written by external tables. The location is specified with a directory object, not a directory path. See [Location of Datafiles and Output Files](#) on page 12-3 for more information.
- **ACCESS PARAMETERS** - describe the external data source and implements the type of external table that was specified. Each type of external table has its own access driver that provides access parameters unique to that type of external table. See [Access Parameters](#) on page 12-2.
- **LOCATION** - specifies the location of the external data. The location is specified as a list of directory objects and filenames. If the directory object is not specified, then the default directory object is used as the file location.

The following example shows the use of each of these attributes:

```
SQL> CREATE TABLE emp_load
 2  (employee_number      CHAR(5),
 3  employee_dob          CHAR(20),
 4  employee_last_name   CHAR(20),
 5  employee_first_name  CHAR(15),
 6  employee_middle_name CHAR(15),
 7  employee_hire_date   DATE)
 8  ORGANIZATION EXTERNAL
 9  (TYPE ORACLE_LOADER
10  DEFAULT DIRECTORY def_dir1
11  ACCESS PARAMETERS
12  (RECORDS DELIMITED BY NEWLINE
13  FIELDS (employee_number      CHAR(2),
14         employee_dob          CHAR(20),
15         employee_last_name   CHAR(18),
16         employee_first_name  CHAR(11),
17         employee_middle_name CHAR(11),
18         employee_hire_date   CHAR(10) date_format DATE mask "mm/dd/yyyy"
19         )
20  )
21  LOCATION ('info.dat')
22  );
```

Table created.

The information you provide through the access driver ensures that data from the data source is processed so that it matches the definition of the external table. The fields listed after `CREATE TABLE emp_load` are actually defining the metadata for the data in the `info.dat` source file. The access parameters are optional.

## Access Parameters

When you create an external table of a particular type, you can specify access parameters to modify the default behavior of the access driver. Each access driver has its own syntax for access parameters.

---



---

**Note:** These access parameters are collectively referred to as the `opaque_format_spec` in the SQL `CREATE TABLE . . . ORGANIZATION EXTERNAL` statement.

---



---

**See Also:**

- [Chapter 13, "The ORACLE\\_LOADER Access Driver"](#)
- [Chapter 14, "The ORACLE\\_DATAPUMP Access Driver"](#)

**Location of Datafiles and Output Files**

The access driver runs inside the database server. This is different from SQL\*Loader, which is a client program that sends the data to be loaded over to the server. This difference has the following implications:

- The server must have access to any files to be loaded by the access driver.
- The server must create and write the output files created by the access driver: the log file, bad file, and discard file, as well as any dump files created by the ORACLE\_DATAPUMP access driver.

The access driver does not allow you to specify a complete specification for files. This is because the server may have access to files that you do not, and allowing you to read this data would affect security. Similarly, you might overwrite a file that you normally would not have privileges to delete.

Instead, you are required to specify directory objects as the locations from which to read files and write files. A directory object maps a name to a directory name on the file system. For example, the following statement creates a directory object named `ext_tab_dir` that is mapped to a directory located at `/usr/apps/datafiles`.

```
CREATE DIRECTORY ext_tab_dir AS '/usr/apps/datafiles';
```

Directory objects can be created by DBAs or by any user with the `CREATE ANY DIRECTORY` privilege.

After a directory is created, the user creating the directory object needs to grant `READ` and `WRITE` privileges on the directory to other users. These privileges must be explicitly granted, rather than assigned through the use of roles. For example, to allow the server to read files on behalf of user `scott` in the directory named by `ext_tab_dir`, the user who created the directory object must execute the following command:

```
GRANT READ ON DIRECTORY ext_tab_dir TO scott;
```

The name of the directory object can appear in the following places in a `CREATE TABLE...ORGANIZATION EXTERNAL` statement:

- The `DEFAULT DIRECTORY` clause, which specifies the default directory to use for all input and output files that do not explicitly name a directory object.
- The `LOCATION` clause, which lists all of the datafiles for the external table. The files are named in the form *directory:file*. The *directory* portion is optional. If it is missing, the default directory is used as the directory for the file.
- The `ACCESS PARAMETERS` clause where output files are named. The files are named in the form *directory:file*. The *directory* portion is optional. If it is missing, the default directory is used as the directory for the file. Syntax in the access parameters enables you to indicate that a particular output file should not be created. This is useful if you do not care about the output files or if you do not have write access to any directory objects.

The `SYS` user is the only user that can own directory objects, but the `SYS` user can grant other users the privilege to create directory objects. Note that `READ` or `WRITE` permission to a directory object means only that the Oracle database will read or write that file on your behalf. You are not given direct access to those files outside of the

Oracle database unless you have the appropriate operating system privileges. Similarly, the Oracle database requires permission from the operating system to read and write files in the directories.

## Example: Creating and Loading an External Table Using ORACLE\_LOADER

The steps in this section show an example of using the ORACLE\_LOADER access driver to create and load an external table. A traditional table named emp is defined along with an external table named emp\_load. The external data is then loaded into an internal table.

1. Assume your .dat file looks as follows:

```
56november, 15, 1980 baker          mary      alice     09/01/2004
87december, 20, 1970 roper         lisa      marie     01/01/1999
```

2. Execute the following SQL statements to set up a default directory (which contains the data source) and to grant access to it:

```
CREATE DIRECTORY ext_tab_dir AS '/usr/apps/datafiles';
GRANT READ ON DIRECTORY ext_tab_dir TO SCOTT;
```

3. Create a traditional table named emp:

```
CREATE TABLE emp (emp_no CHAR(6), last_name CHAR(25), first_name CHAR(20),
middle_initial CHAR(1), hire_date DATE, dob DATE);
```

4. Create an external table named emp\_load:

```
SQL> CREATE TABLE emp_load
 2   (employee_number    CHAR(5),
 3   employee_dob        CHAR(20),
 4   employee_last_name  CHAR(20),
 5   employee_first_name CHAR(15),
 6   employee_middle_name CHAR(15),
 7   employee_hire_date  DATE)
 8 ORGANIZATION EXTERNAL
 9   (TYPE ORACLE_LOADER
10   DEFAULT DIRECTORY def_dir1
11   ACCESS PARAMETERS
12     (RECORDS DELIMITED BY NEWLINE
13     FIELDS (employee_number    CHAR(2),
14            employee_dob        CHAR(20),
15            employee_last_name  CHAR(18),
16            employee_first_name CHAR(11),
17            employee_middle_name CHAR(11),
18            employee_hire_date  CHAR(10) date_format DATE mask
"mm/dd/yyyy"
19            )
20            )
21   LOCATION ('info.dat')
22   );
```

Table created.

5. Load the data from the external table emp\_load into the table emp:

```
SQL> INSERT INTO emp (emp_no,
 2   first_name,
 3   middle_initial,
 4   last_name,
 5   hire_date,
```

```

6             dob)
7 (SELECT employee_number,
8         employee_first_name,
9         substr(employee_middle_name, 1, 1),
10        employee_last_name,
11        employee_hire_date,
12        to_date(employee_dob, 'month, dd, yyyy')
13 FROM emp_load);

```

2 rows created.

6. Perform the following select operation to verify that the information in the `.dat` file was loaded into the `emp` table:

```
SQL> SELECT * FROM emp;
```

EMP_NO	LAST_NAME	FIRST_NAME	M	HIRE_DATE	DOB
56	baker	mary	a	01-SEP-04	15-NOV-80
87	roper	lisa	m	01-JAN-99	20-DEC-70

2 rows selected.

Notes about this example:

- The `employee_number` field in the datafile is converted to a character string for the `employee_number` field in the external table.
- The datafile contains an `employee_dob` field that is not loaded into any field in the table.
- The `substr` function is used on the `employee_middle_name` column in the external table to generate the value for `middle_initial` in table `emp`.
- The character string for `employee_hire_date` in `info.dat` is automatically converted into a `DATE` datatype at external table access time, using the format mask specified in the external table definition.
- Unlike `employee_hire_date`, the `DATE` datatype conversion for `employee_dob` is done at `SELECT` time and is not part of the external table definition.

**See Also:** *Oracle Database SQL Language Reference* for detailed information about the correct way to specify date and time formats

## Using External Tables to Load and Unload Data

In the context of external tables, loading data refers to the act of reading data from an external table and loading it into a table in the database. Unloading data refers to the act of reading data from a table in the database and inserting it into an external table.

---



---

**Note:** Data can only be unloaded using the `ORACLE_DATAPUMP` access driver.

---



---

### Loading Data

When data is loaded, the data stream is read from the files specified by the `LOCATION` and `DEFAULT DIRECTORY` clauses. The `INSERT` statement generates a flow of data from the external data source to the Oracle SQL engine, where data is processed. As data from the external source is parsed by the access driver and provided to the

external table interface, it is converted from its external representation to its Oracle internal datatype.

## Unloading Data Using the ORACLE\_DATAPUMP Access Driver

To unload data, you use the `ORACLE_DATAPUMP` access driver. The data stream that is unloaded is in a proprietary format and contains all the column data for every row being unloaded.

An unload operation also creates a metadata stream that describes the contents of the data stream. The information in the metadata stream is required for loading the data stream. Therefore, the metadata stream is written to the datafile and placed before the data stream.

## Dealing with Column Objects

When the external table is accessed through a SQL statement, the fields of the external table can be used just like any other field in a normal table. In particular, the fields can be used as arguments for any SQL built-in function, PL/SQL function, or Java function. This enables you to manipulate the data from the external source.

Although external tables cannot contain a column object, you can use constructor functions to build a column object from attributes in the external table. For example, assume a table in the database is defined as follows:

```
CREATE TYPE student_type AS object (  
  student_no CHAR(5),  
  name CHAR(20))  
/
```

```
CREATE TABLE roster (  
  student student_type,  
  grade CHAR(2));
```

Also assume there is an external table defined as follows:

```
CREATE TABLE roster_data (  
  student_no CHAR(5),  
  name CHAR(20),  
  grade CHAR(2))  
  ORGANIZATION EXTERNAL (TYPE ORACLE_LOADER DEFAULT DIRECTORY ext_tab_dir  
  ACCESS PARAMETERS (FIELDS TERMINATED BY ',')  
  LOCATION ('info.dat'));
```

To load table `roster` from `roster_data`, you would specify something similar to the following:

```
INSERT INTO roster (student, grade)  
  (SELECT student_type(student_no, name), grade FROM roster_data);
```

## Datatype Conversion During External Table Use

When data is moved into or out of an external table, it is possible that the same column will have a different datatype in each of the following three places:

- The database: This is the source when data is unloaded *into* an external table and it is the destination when data is loaded *from* an external table.
- The external table: When data is unloaded into an external table, the data from the database is converted, if necessary, to match the datatype of the column in the

external table. Also, you can apply SQL operators to the source data to change its datatype before the data gets moved to the external table. Similarly, when loading from the external table into a database, the data from the external table is automatically converted to match the datatype of the column in the database. Again, you can perform other conversions by using SQL operators in the SQL statement that is selecting from the external table. For better performance, the datatypes in the external table should match those in the database.

- The datafile: When you unload data into an external table, the datatypes for fields in the datafile exactly match the datatypes of fields in the external table. However, when you load data from the external table, the datatypes in the datafile may not match the datatypes in the external table. In this case, the data from the datafile is converted to match the datatypes of the external table. If there is an error converting a column, then the record containing that column is not loaded. For better performance, the datatypes in the datafile should match the datatypes in the external table.

Any conversion errors that occur between the datafile and the external table cause the row with the error to be ignored. Any errors between the external table and the column in the database (including conversion errors and constraint violations) cause the entire operation to terminate unsuccessfully.

When data is unloaded into an external table, data conversion occurs if the datatype of a column in the source table does not match the datatype of the column in the external table. If a conversion error occurs, then the datafile may not contain all the rows that were processed up to that point and the datafile will not be readable. To avoid problems with conversion errors causing the operation to fail, the datatype of the column in the external table should match the datatype of the column in the database. This is not always possible, because external tables do not support all datatypes. In these cases, the unsupported datatypes in the source table must be converted into a datatype that the external table can support. For example, if a source table has a LONG column, the corresponding column in the external table must be a CLOB and the SELECT subquery that is used to populate the external table must use the TO\_LOB operator to load the column. For example:

```
CREATE TABLE LONG_TAB_XT (LONG_COL CLOB) ORGANIZATION EXTERNAL...SELECT TO_LOB(LONG_COL) FROM LONG_TAB;
```

## Parallel Access to External Tables

To enable external table support of parallel processing on the datafiles, use the PARALLEL clause when you create the external table. Each access driver supports parallel access slightly differently.

### Parallel Access with ORACLE\_LOADER

The ORACLE\_LOADER access driver attempts to divide large datafiles into chunks that can be processed separately.

The following file, record, and data characteristics make it impossible for a file to be processed in parallel:

- Sequential data sources (such as a tape drive or pipe)
- Data in any multibyte character set whose character boundaries cannot be determined starting at an arbitrary byte in the middle of a string

This restriction does not apply to any datafile with a fixed number of bytes per record.

- Records with the VAR format

Specifying a PARALLEL clause is of value only when large amounts of data are involved.

## Parallel Access with ORACLE\_DATAPUMP

When you use the ORACLE\_DATAPUMP access driver to unload data, the data is unloaded in parallel when the PARALLEL clause or parallel hint has been specified and when multiple locations have been specified for the external table.

Each parallel process writes to its own file. Therefore, the LOCATION clause should specify as many files as there are degrees of parallelism. If there are fewer files than the degree of parallelism specified, then the degree of parallelism will be limited to the number of files specified. If there are more files than the degree of parallelism specified, then the extra files will not be used.

In addition to unloading data, the ORACLE\_DATAPUMP access driver can also load data. Parallel processes can read multiple dump files or even chunks of the same dump file concurrently. Thus, data can be loaded in parallel even if there is only one dump file, as long as that file is large enough to contain multiple file offsets. This is because when the ORACLE\_DATAPUMP access driver unloads data, it periodically remembers the offset into the dump file of the start of a new data chunk and writes that information into the file when the unload completes. For nonparallel loads, file offsets are ignored because only one process at a time can access a file. For parallel loads, file offsets are distributed among parallel processes for multiple concurrent processing on a file or within a set of files.

## Performance Hints When Using External Tables

When you monitor performance, the most important measurement is the elapsed time for a load. Other important measurements are CPU usage, memory usage, and I/O rates.

You can alter performance by increasing or decreasing the degree of parallelism. The degree of parallelism indicates the number of access drivers that can be started to process the datafiles. The degree of parallelism enables you to choose on a scale between slower load with little resource usage and faster load with all resources utilized. The access driver cannot automatically tune itself, because it cannot determine how many resources you want to dedicate to the access driver.

An additional consideration is that the access drivers use large I/O buffers for better performance. On databases with shared servers, all memory used by the access drivers comes out of the system global area (SGA). For this reason, you should be careful when using external tables on shared servers. Note that for the ORACLE\_LOADER access driver, you can use the READSIZE clause in the access parameters to specify the size of the buffers.

## Performance Hints Specific to the ORACLE\_LOADER Access Driver

The information about performance provided in this section is specific to the ORACLE\_LOADER access driver.

Performance can sometimes be increased with use of date cache functionality. By using the date cache to specify the number of unique dates anticipated during the load, you can reduce the number of date conversions done when many duplicate date or timestamp values are present in the input data. The date cache functionality



provided by external tables is identical to the date cache functionality provided by SQL\*Loader. See [DATE\\_CACHE](#) on page 13-10 for a detailed description.

In addition to changing the degree of parallelism and using the date cache to improve performance, consider the following information:

- Fixed-length records are processed faster than records terminated by a string.
- Fixed-length fields are processed faster than delimited fields.
- Single-byte character sets are the fastest to process.
- Fixed-width character sets are faster to process than varying-width character sets.
- Byte-length semantics for varying-width character sets are faster to process than character-length semantics.
- Single-character delimiters for record terminators and field delimiters are faster to process than multicharacter delimiters.
- Having the character set in the datafile match the character set of the database is faster than a character set conversion.
- Having datatypes in the datafile match the datatypes in the database is faster than datatype conversion.
- Not writing rejected rows to a reject file is faster because of the reduced overhead.
- Condition clauses (including `WHEN`, `NULLIF`, and `DEFAULTIF`) slow down processing.
- The access driver takes advantage of multithreading to streamline the work as much as possible.

**See Also:** [Choosing External Tables Versus SQL\\*Loader](#) on page 6-10

## External Table Restrictions

This section lists what the external tables feature does *not* do and also describes some processing restrictions.

- Exporting and importing of external tables with encrypted columns is not supported.
- An external table does not describe any data that is stored in the database.
- An external table does not describe how data is stored in the external source. This is the function of the access parameters.
- Column processing: By default, the external tables feature fetches all columns defined for an external table. This guarantees a consistent result set for all queries. However, for performance reasons you can decide to process only the referenced columns of an external table, thus minimizing the amount of data conversion and data handling required to execute a query. In this case, a row that is rejected because a column in the row causes a datatype conversion error will not get rejected in a different query if the query does not reference that column. You can change this column-processing behavior with the `ALTER TABLE` command.
- An external table cannot load data into a `LONG` column.
- SQL strings cannot be specified in access parameters for the `ORACLE_LOADER` access driver. As a workaround, you can use the `DECODE` clause in the `SELECT` clause of the statement that is reading the external table. Alternatively, you can

create a view of the external table that uses the `DECODE` clause and select from that view rather than the external table.

- When identifiers (for example, column or table names) are specified in the external table access parameters, certain values are considered to be reserved words by the access parameter parser. If a reserved word is used as an identifier, it must be enclosed in double quotation marks.

**See Also:**

- [Reserved Words for the ORACLE\\_LOADER Access Driver](#) on page 13-29
- [Reserved Words for the ORACLE\\_DATAPUMP Access Driver](#) on page 14-15

## Restrictions Specific to the ORACLE\_DATAPUMP Access Driver

In addition to the restrictions just described, the `ORACLE_DATAPUMP` access driver has the following restrictions:

- Handling of byte-order marks during a load: In an external table load for which the datafile character set is UTF8 or UTF16, it is not possible to suppress checking for byte-order marks. Suppression of byte-order mark checking is necessary only if the beginning of the datafile contains binary data that matches the byte-order mark encoding. (It is possible to suppress byte-order mark checking with SQL\*Loader loads.) Note that checking for a byte-order mark does not mean that a byte-order mark must be present in the datafile. If no byte-order mark is present, the byte order of the server platform is used.
- The external tables feature does not support the use of the backslash (`\`) escape character within strings. See [Use of the Backslash Escape Character](#) on page 12-11.

## Behavior Differences Between SQL\*Loader and External Tables

This section describes important differences between loading data with external tables, using the `ORACLE_LOADER` access driver, as opposed to loading data with SQL\*Loader conventional and direct path loads. This information does not apply to the `ORACLE_DATAPUMP` access driver.

### Multiple Primary Input Datafiles

If there are multiple primary input datafiles with SQL\*Loader loads, a bad file and a discard file are created for each input datafile. With external table loads, there is only one bad file and one discard file for all input datafiles. If parallel access drivers are used for the external table load, each access driver has its own bad file and discard file.

### Syntax and Datatypes

The following are not supported with external table loads:

- Use of `CONTINUEIF` or `CONCATENATE` to combine multiple physical records into a single logical record.
- Loading of the following SQL\*Loader datatypes: `GRAPHIC`, `GRAPHIC EXTERNAL`, and `VARGRAPHIC`
- Use of the following database column types: `LONGs`, nested tables, `VARRAYs`, `REFs`, primary key `REFs`, and `SIDs`

## Byte-Order Marks

With SQL\*Loader, if a primary datafile uses a Unicode character set (UTF8 or UTF16) and it also contains a byte-order mark (BOM), then the byte-order mark is written at the beginning of the corresponding bad and discard files. With external table loads, the byte-order mark is not written at the beginning of the bad and discard files.

## Default Character Sets, Date Masks, and Decimal Separator

For fields in a datafile, the settings of NLS environment variables on the client determine the default character set, date mask, and decimal separator. For fields in external tables, the database settings of the NLS parameters determine the default character set, date masks, and decimal separator.

## Use of the Backslash Escape Character

In SQL\*Loader, you can use the backslash (\) escape character to mark a single quotation mark as a single quotation mark, as follows:

```
FIELDS TERMINATED BY ',' OPTIONALLY ENCLOSED BY '\'
```

In external tables, the use of the backslash escape character within a string will raise an error. The workaround is to use double quotation marks to mark the separation string, as follows:

```
TERMINATED BY ',' ENCLOSED BY ''
```



---

## The ORACLE\_LOADER Access Driver

This chapter describes the access parameters for the default external tables access driver, `ORACLE_LOADER`. You specify these access parameters when you create the external table.

To use the information in this chapter, you must have some knowledge of the file format and record format (including character sets and field datatypes) of the datafiles on your platform. You must also know enough about SQL to be able to create an external table and perform queries against it.

The following topics are discussed in this chapter:

- [access\\_parameters Clause](#)
- [record\\_format\\_info Clause](#)
- [field\\_definitions Clause](#)
- [column\\_transforms Clause](#)
- [Reserved Words for the ORACLE\\_LOADER Access Driver](#)

You may find it helpful to use the `EXTERNAL_TABLE=GENERATE_ONLY` parameter in SQL\*Loader to get the proper access parameters for a given SQL\*Loader control file. When you specify `GENERATE_ONLY`, all the SQL statements needed to do the load using external tables, as described in the control file, are placed in the SQL\*Loader log file. These SQL statements can be edited and customized. The actual load can be done later without the use of SQL\*Loader by executing these statements in SQL\*Plus.

**See Also:** [EXTERNAL\\_TABLE](#) on page 7-5

**Notes:**

- It is sometimes difficult to describe syntax without using other syntax that is not documented until later in the chapter. If it is not clear what some syntax is supposed to do, you might want to skip ahead and read about that particular element.
- Many examples in this chapter show a `CREATE TABLE . . . ORGANIZATION EXTERNAL` statement followed by a sample of contents of the datafile for the external table. These contents are not part of the `CREATE TABLE` statement, but are shown to help complete the example.
- When identifiers (for example, column or table names) are specified in the external table access parameters, certain values are considered to be reserved words by the access parameter parser. If a reserved word is used as an identifier, it must be enclosed in double quotation marks. See [Reserved Words for the ORACLE\\_LOADER Access Driver](#) on page 13-29.

## access\_parameters Clause

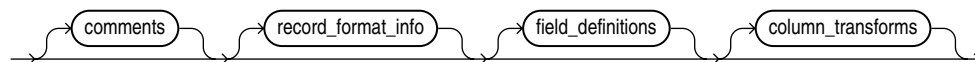
The access parameters clause contains comments, record formatting, and field formatting information.

The description of the data in the data source is separate from the definition of the external table. This means that:

- The source file can contain more or fewer fields than there are columns in the external table
- The datatypes for fields in the data source can be different from the columns in the external table

As stated earlier, the access driver ensures that data from the data source is processed so that it matches the definition of the external table.

The syntax for the `access_parameters` clause is as follows:

**comments**

Comments are lines that begin with two hyphens followed by text. Comments must be placed *before* any access parameters, for example:

```
--This is a comment.
--This is another comment.
RECORDS DELIMITED BY NEWLINE
```

All text to the right of the double hyphen is ignored, until the end of the line.

**record\_format\_info**

The `record_format_info` clause is an optional clause that contains information about the record, such as its format, the character set of the data, and what rules are used to exclude records from being loaded. For a full description of the syntax, see [record\\_format\\_info Clause](#) on page 13-3.

**field\_definitions**

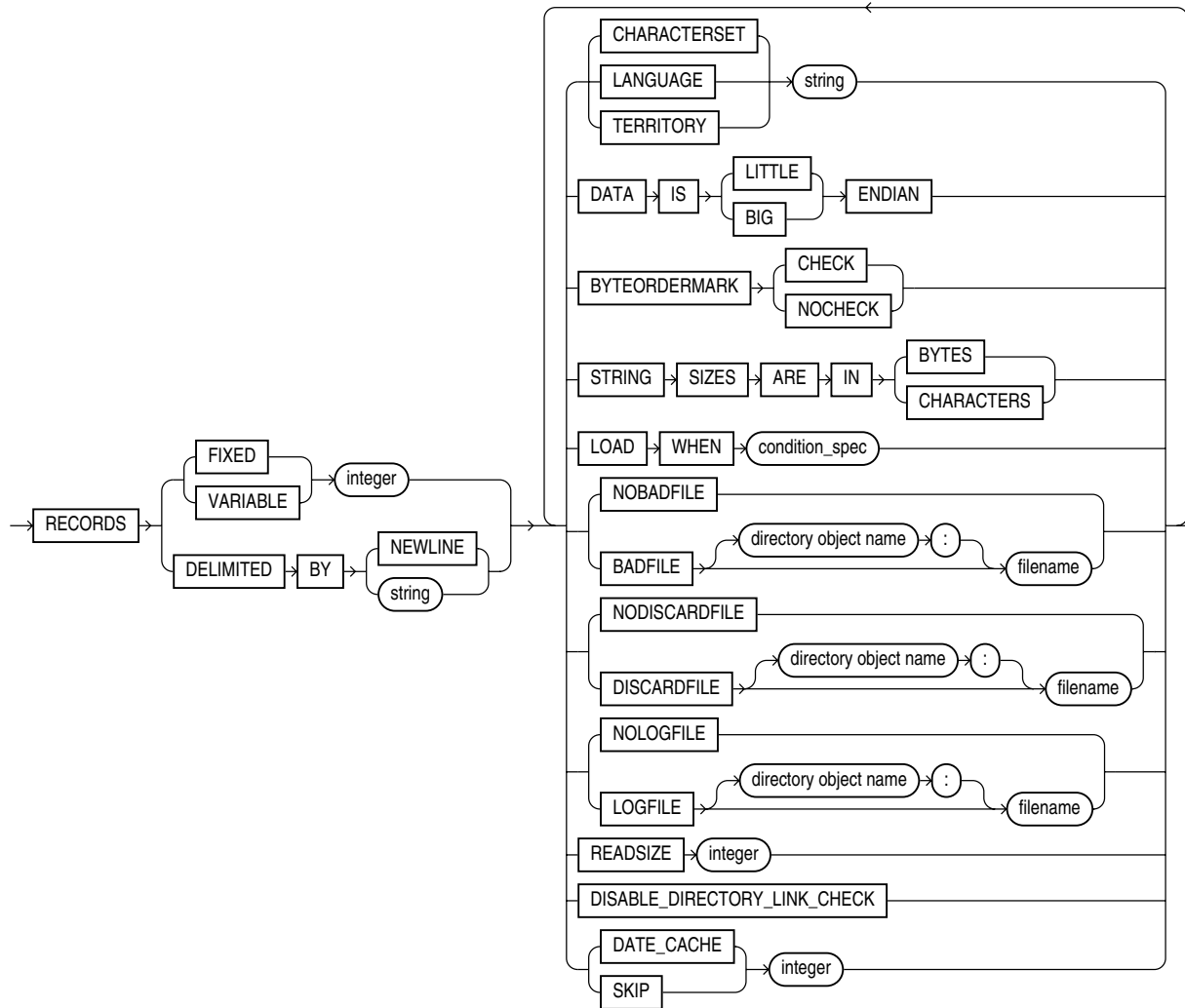
The `field_definitions` clause is used to describe the fields in the datafile. If a datafile field has the same name as a column in the external table, then the data from the field is used for that column. For a full description of the syntax, see [field\\_definitions Clause](#) on page 13-12.

**column\_transforms**

The `column_transforms` clause is an optional clause used to describe how to load columns in the external table that do not map directly to columns in the datafile. This is done using the following transforms: `NULL`, `CONSTANT`, `CONCAT`, and `LOBFILE`. For a full description of the syntax, see [column\\_transforms Clause](#) on page 13-27.

**record\_format\_info Clause**

The `record_format_info` clause contains information about the record, such as its format, the character set of the data, and what rules are used to exclude records from being loaded. The `record_format_info` clause is optional. If the clause is not specified, the default value is `RECORDS DELIMITED BY NEWLINE`. The syntax for the `record_format_info` clause is as follows:



## FIXED length

The `FIXED` clause is used to identify the records as all having a fixed size of length bytes. The size specified for `FIXED` records must include any record termination characters, such as newlines. Compared to other record types, fixed-length fields in fixed-length records are the easiest field and record formats for the access driver to process.

The following is an example of using `FIXED` records. It assumes there is a 1-byte newline character at the end of each record in the datafile. It is followed by a sample of the datafile that can be used to load it.

```
CREATE TABLE emp_load (first_name CHAR(15), last_name CHAR(20), year_of_birth CHAR(4))
  ORGANIZATION EXTERNAL (TYPE ORACLE_LOADER DEFAULT DIRECTORY ext_tab_dir
    ACCESS PARAMETERS (RECORDS FIXED 20 FIELDS (first_name CHAR(7),
      last_name CHAR(8),
      year_of_birth CHAR(4)))
    LOCATION ('info.dat'));
```

Alvin Tolliver1976  
KennethBaer 1963



Mary Dube 1973

## VARIABLE size

The `VARIABLE` clause is used to indicate that the records have a variable length and that each record is preceded by a character string containing a number with the count of bytes for the record. The length of the character string containing the count field is the size argument that follows the `VARIABLE` parameter. Note that size indicates a count of bytes, not characters. The count at the beginning of the record must include any record termination characters, but it does not include the size of the count field itself. The number of bytes in the record termination characters can vary depending on how the file is created and on what platform it is created.

The following is an example of using `VARIABLE` records. It assumes there is a 1-byte newline character at the end of each record in the datafile. It is followed by a sample of the datafile that can be used to load it.

```
CREATE TABLE emp_load (first_name CHAR(15), last_name CHAR(20), year_of_birth CHAR(4))
  ORGANIZATION EXTERNAL (TYPE ORACLE_LOADER DEFAULT DIRECTORY ext_tab_dir
    ACCESS PARAMETERS (RECORDS VARIABLE 2 FIELDS TERMINATED BY ','
      (first_name CHAR(7),
        last_name CHAR(8),
        year_of_birth CHAR(4)))
    LOCATION ('info.dat'));
```

```
21Alvin,Tolliver,1976,
19Kenneth,Baer,1963,
16Mary,Dube,1973,
```

## DELIMITED BY

The `DELIMITED BY` clause is used to indicate the characters that identify the end of a record.

If `DELIMITED BY NEWLINE` is specified, then the actual value used is platform-specific. On UNIX platforms, `NEWLINE` is assumed to be `"\n"`. On Windows NT, `NEWLINE` is assumed to be `"\r\n"`.

If `DELIMITED BY string` is specified, `string` can be either text or a series of hexadecimal digits enclosed within quotation marks and prefixed by `OX` or `X`. If it is text, then the text is converted to the character set of the datafile and the result is used for identifying record boundaries. See [string](#) on page 13-10.

If the following conditions are true, then you must use hexadecimal digits to identify the delimiter:

- The character set of the access parameters is different from the character set of the datafile.
- Some characters in the delimiter string cannot be translated into the character set of the datafile.

The hexadecimal digits are converted into bytes, and there is no character set translation performed on the hexadecimal string.

If the end of the file is found before the record terminator, the access driver proceeds as if a terminator was found, and all unprocessed data up to the end of the file is considered part of the record.

---

---

**Caution:** Do not include any binary data, including binary counts for VARCHAR and VARRAW, in a record that has delimiters. Doing so could cause errors or corruption, because the binary data will be interpreted as characters during the search for the delimiter.

---

---

The following is an example of using DELIMITED BY records.

```
CREATE TABLE emp_load (first_name CHAR(15), last_name CHAR(20), year_of_birth CHAR(4))
  ORGANIZATION EXTERNAL (TYPE ORACLE_LOADER DEFAULT DIRECTORY ext_tab_dir
    ACCESS PARAMETERS (RECORDS DELIMITED BY '|' FIELDS TERMINATED BY ','
      (first_name CHAR(7),
        last_name CHAR(8),
        year_of_birth CHAR(4)))
    LOCATION ('info.dat'));
```

Alvin,Tolliver,1976|Kenneth,Baer,1963|Mary,Dube,1973

## CHARACTERSET

The CHARACTERSET *string* clause identifies the character set of the datafile. If a character set is not specified, the data is assumed to be in the default character set for the database. See [string](#) on page 13-10.

---

---

**Note:** The settings of NLS environment variables on the client have no effect on the character set used for the database.

---

---

**See Also:** *Oracle Database Globalization Support Guide* for a listing of Oracle-supported character sets

## LANGUAGE

The LANGUAGE clause allows you to specify a language name (for example, FRENCH), from which locale-sensitive information about the data can be derived. The following are some examples the type of information that can be derived from the language name:

- Day and month names and their abbreviations
- Symbols for equivalent expressions for A.M., P.M., A.D., and B.C.
- Default sorting sequence for character data when the ORDER BY SQL clause is specified
- Writing direction (right to left or left to right)
- Affirmative and negative response strings (for example, YES and NO)

**See Also:** *Oracle Database Globalization Support Guide* for a listing of Oracle-supported languages

## TERRITORIES

The TERRITORIES clause allows you to specify a territory name to further determine input data characteristics. For example, in some countries a decimal point is used in numbers rather than a comma (for example, 531.298 instead of 531,298).

**See Also:** *Oracle Database Globalization Support Guide* for a listing of Oracle-supported territories

## DATA IS...ENDIAN

The `DATA IS . . . ENDIAN` clause indicates the endianness of data whose byte order may vary depending on the platform that generated the datafile. Fields of the following types are affected by this clause:

- `INTEGER`
- `UNSIGNED INTEGER`
- `FLOAT`
- `BINARY_FLOAT`
- `DOUBLE`
- `BINARY_DOUBLE`
- `VARCHAR` (numeric count only)
- `VARRAW` (numeric count only)
- Any character datatype in the UTF16 character set
- Any string specified by `RECORDS DELIMITED BY string` and in the UTF16 character set

A common platform that generates little-endian data is Windows NT. Big-endian platforms include Sun Solaris and IBM MVS. If the `DATA IS . . . ENDIAN` clause is not specified, then the data is assumed to have the same endianness as the platform where the access driver is running. UTF-16 datafiles may have a mark at the beginning of the file indicating the endianness of the data. This mark will override the `DATA IS . . . ENDIAN` clause.

## BYTEORDERMARK (CHECK | NOCHECK)

The `BYTEORDERMARK` clause is used to specify whether or not the datafile should be checked for the presence of a byte-order mark (BOM). This clause is meaningful only when the character set is Unicode.

`BYTEORDERMARK NOCHECK` indicates that the datafile should not be checked for a BOM and that all the data in the datafile should be read as data.

`BYTEORDERMARK CHECK` indicates that the datafile should be checked for a BOM. This is the default behavior for a datafile in a Unicode character set.

The following are examples of some possible scenarios:

- If the data is specified as being little or big endian and `CHECK` is specified and it is determined that the specified endianness does not match the datafile, then an error is returned. For example, suppose you specify the following:

```
DATA IS LITTLE ENDIAN
BYTEORDERMARK CHECK
```

If the BOM is checked in the Unicode datafile and the data is actually big endian, an error is returned because you specified little endian.

- If a BOM is not found and no endianness is specified with the `DATA IS . . . ENDIAN` parameter, then the endianness of the platform is used.

- If `BYTEORDERMARK NOCHECK` is specified and the `DATA IS . . . ENDIAN` parameter specified an endianness, then that value is used. Otherwise, the endianness of the platform is used.

See Also: [Byte Ordering](#) on page 9-29

## STRING SIZES ARE IN

The `STRING SIZES ARE IN` clause is used to indicate whether the lengths specified for character strings are in bytes or characters. If this clause is not specified, the access driver uses the mode that the database uses. Character types with embedded lengths (such as `VARCHAR`) are also affected by this clause. If this clause is specified, the embedded lengths are a character count, not a byte count. Specifying `STRING SIZES ARE IN CHARACTERS` is needed only when loading multibyte character sets, such as UTF16.

## LOAD WHEN

The `LOAD WHEN condition_spec` clause is used to identify the records that should be passed to the database. The evaluation method varies:

- If the *condition\_spec* references a field in the record, the clause is evaluated only after all fields have been parsed from the record, but *before* any `NULLIF` or `DEFAULTIF` clauses have been evaluated.
- If the condition specification references only ranges (and no field names), then the clause is evaluated before the fields are parsed. This is useful for cases where the records in the file that are not to be loaded cannot be parsed into the current record definition without errors.

See [condition\\_spec](#) on page 13-10.

The following are some examples of using `LOAD WHEN`:

```
LOAD WHEN (empid != BLANKS)
LOAD WHEN ((dept_id = "SPORTING GOODS" OR dept_id = "SHOES") AND total_sales != 0)
```

## BADFILE | NOBADFILE

The `BADFILE` clause names the file to which records are written when they cannot be loaded because of errors. For example, a record was written to the bad file because a field in the datafile could not be converted to the datatype of a column in the external table. Records that fail the `LOAD WHEN` clause are not written to the bad file but are written to the discard file instead. Also, any errors in using a record from an external table (such as a constraint violation when using `INSERT INTO . . . AS SELECT . . .` from an external table) will not cause the record to be written to the bad file.

The purpose of the bad file is to have one file where all rejected data can be examined and fixed so that it can be loaded. If you do not intend to fix the data, then you can use the `NOBADFILE` option to prevent creation of a bad file, even if there are bad records.

If you specify `BADFILE`, you must specify a filename or you will receive an error.

If neither `BADFILE` nor `NOBADFILE` is specified, the default is to create a bad file if at least one record is rejected. The name of the file will be the table name followed by `_` `%p`, and it will have an extension of `.bad`.

See [\[directory object name:\] filename](#) on page 13-11.

## DISCARDFILE | NODISCARDFILE

The `DISCARDFILE` clause names the file to which records are written that fail the condition in the `LOAD WHEN` clause. The discard file is created when the first record to be discarded is encountered. If the same external table is accessed multiple times, then the discard file is rewritten each time. If there is no need to save the discarded records in a separate file, then use `NODISCARDFILE`.

If you specify `DISCARDFILE`, you must specify a filename or you will receive an error.

If neither `DISCARDFILE` nor `NODISCARDFILE` is specified, the default is to create a discard file if at least one record fails the `LOAD WHEN` clause. The name of the file will be the table name followed by `_%p` and it will have an extension of `.dsc`.

See [\[directory object name:\] filename](#) on page 13-11.

## LOG FILE | NOLOGFILE

The `LOGFILE` clause names the file that contains messages generated by the external tables utility while it was accessing data in the datafile. If a log file already exists by the same name, the access driver reopens that log file and appends new log information to the end. This is different from bad files and discard files, which overwrite any existing file. `NOLOGFILE` is used to prevent creation of a log file.

If you specify `LOGFILE`, you must specify a filename or you will receive an error.

If neither `LOGFILE` nor `NOLOGFILE` is specified, the default is to create a log file. The name of the file will be the table name followed by `_%p` and it will have an extension of `.log`.

See [\[directory object name:\] filename](#) on page 13-11.

## SKIP

Skips the specified number of records in the datafile before loading. `SKIP` can be specified only when nonparallel access is being made to the data.

## READSIZE

The `READSIZE` parameter specifies the size of the read buffer used to process records. The size of the read buffer must be at least as big as the largest input record the access driver will encounter. The size is specified with an integer indicating the number of bytes. The default value is 512 KB (524288 bytes). You must specify a larger value if any of the records in the datafile are larger than 512 KB. There is no limit on how large `READSIZE` can be, but practically, it is limited by the largest amount of memory that can be allocated by the access driver.

The amount of memory available for allocation is another limit because additional buffers might be allocated. The additional buffer is used to correctly complete the processing of any records that may have been split (either in the data; at the delimiter; or if multi character/byte delimiters are used, in the delimiter itself).

## DISABLE\_DIRECTORY\_LINK\_CHECK

By default the `ORACLE_LOADER` access driver checks before opening data and log files to make sure that the directory being used is not a symbolic link. The `DISABLE_DIRECTORY_LINK_CHECK` parameter (which takes no arguments) directs the access driver to bypass this check, allowing you to use files for which the parent directory may be a symbolic link.

---



---

**Caution:** Use of this parameter involves security risks because symbolic links can potentially be used to redirect the input/output of the external table load operation.

---



---

## DATE\_CACHE

By default, the date cache feature is enabled (for 1000 elements). To completely disable the date cache feature, set it to 0.

DATE\_CACHE specifies the date cache size (in entries). For example, DATE\_CACHE=5000 specifies that each date cache created can contain a maximum of 5000 unique date entries. Every table has its own date cache, if one is needed. A date cache is created only if at least one date or timestamp value is loaded that requires datatype conversion in order to be stored in the table.

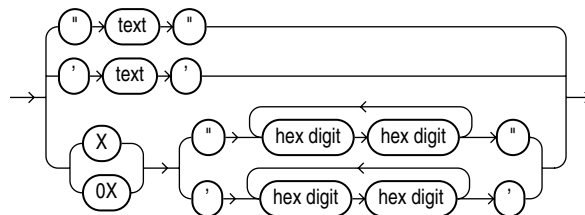
The date cache feature is enabled by default. The default date cache size is 1000 elements. If the default size is used and the number of unique input values loaded exceeds 1000, then the date cache feature is automatically disabled for that table. However, if you override the default and specify a nonzero date cache size and that size is exceeded, then the cache is not disabled.

You can use the date cache statistics (entries, hits, and misses) contained in the log file to tune the size of the cache for future similar loads.

**See Also:** [Specifying a Value for the Date Cache](#) on page 11-16

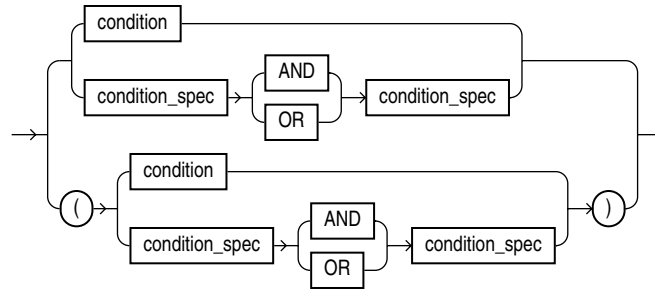
## string

A string is a quoted series of characters or hexadecimal digits. If it is a series of characters, then those characters will be converted into the character set of the data file. If it is a series of hexadecimal digits, then there must be an even number of hexadecimal digits. The hexadecimal digits are converted into their binary translation, and the translation is treated as a character string in the character set of the data file. This means that once the hexadecimal digits have been converted into their binary translation, there is no other character set translation that occurs. The syntax for a string is as follows:



## condition\_spec

The condition\_spec is an expression that evaluates to either true or false. It specifies one or more conditions that are joined by Boolean operators. The conditions and Boolean operators are evaluated from left to right. (Boolean operators are applied after the conditions are evaluated.) Parentheses can be used to override the default order of evaluation of Boolean operators. The evaluation of condition\_spec clauses slows record processing, so these clauses should be used sparingly. The syntax for condition\_spec is as follows:



Note that if the condition specification contains any conditions that reference field names, then the condition specifications are evaluated only after all fields have been found in the record and after blank trimming has been done. It is not useful to compare a field to `BLANKS` if blanks have been trimmed from the field.

The following are some examples of using `condition_spec`:

```
empid = BLANKS OR last_name = BLANKS
(dept_id = SPORTING GOODS OR dept_id = SHOES) AND total_sales != 0
```

**See Also:** [condition](#) on page 13-12

## [directory object name:] filename

This clause is used to specify the name of an output file (`BADFILE`, `DISCARDFILE`, or `LOGFILE`). The directory object name is the name of a directory object where the user accessing the external table has privileges to write. If the directory object name is omitted, then the value specified for the `DEFAULT DIRECTORY` clause in the `CREATE TABLE . . . ORGANIZATION EXTERNAL` statement is used.

The `filename` parameter is the name of the file to create in the directory object. The access driver does some symbol substitution to help make filenames unique in parallel loads. The symbol substitutions supported for UNIX and Windows NT are as follows (other platforms may have different symbols):

- `%p` is replaced by the process ID of the current process. For example, if the process ID of the access driver is 12345, then `exttab_%p.log` becomes `exttab_12345.log`.
- `%a` is replaced by the agent number of the current process. The agent number is the unique number assigned to each parallel process accessing the external table. This number is padded to the left with zeros to fill three characters. For example, if the third parallel agent is creating a file and `bad_data_%a.bad` was specified as the filename, then the agent would create a file named `bad_data_003.bad`.
- `%%` is replaced by `%`. If there is a need to have a percent sign in the filename, then this symbol substitution is used.

If the `%` character is encountered followed by anything other than one of the preceding characters, then an error is returned.

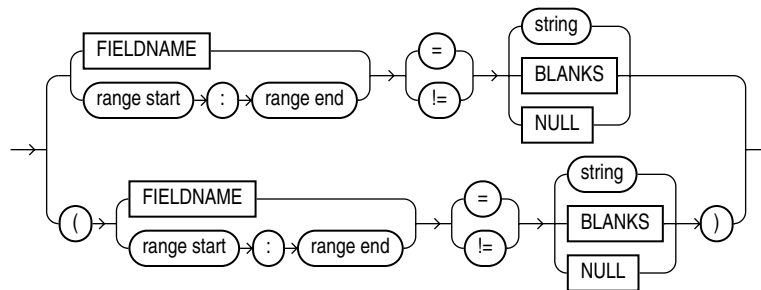
If `%p` or `%a` is not used to create unique filenames for output files and an external table is being accessed in parallel, then output files may be corrupted or agents may be unable to write to the files.

If you specify `BADFILE` (or `DISCARDFILE` or `LOGFILE`), you must specify a filename for it or you will receive an error. However, if you do not specify `BADFILE` (or `DISCARDFILE` or `LOGFILE`), then the access driver uses the name of the table

followed by `_%p` as the name of the file. If no extension is supplied for the file, a default extension will be used. For bad files, the default extension is `.bad`; for discard files, the default is `.dsc`; and for log files, the default is `.log`.

## condition

A `condition` compares a range of bytes or a field from the record against a constant string. The source of the comparison can be either a field in the record or a byte range in the record. The comparison is done on a byte-by-byte basis. If a string is specified as the target of the comparison, it will be translated into the character set of the datafile. If the field has a noncharacter datatype, no datatype conversion is performed on either the field value or the string. The syntax for a `condition` is as follows:



### range start : range end

This clause describes a range of bytes or characters in the record to use for a condition. The value used for the `STRING SIZES ARE` clause determines whether `range` refers to bytes or characters. The `range start` and `range end` are byte or character offsets into the record. The `range start` must be less than or equal to the `range end`. Finding ranges of characters is faster for data in fixed-width character sets than it is for data in varying-width character sets. If the range refers to parts of the record that do not exist, then the record is rejected when an attempt is made to reference the range.

---



---

**Note:** The datafile should not mix binary data (including datatypes with binary counts, such as `VARCHAR`) and character data that is in a varying-width character set or more than one byte wide. In these cases, the access driver may not find the correct start for the field, because it treats the binary data as character data when trying to find the start.

---



---

If a field is `NULL`, then any comparison of that field to any value other than `NULL` will return `FALSE`.

The following are some examples of using `condition`:

```

empid != BLANKS
10:13 = 0x'00000830'
PRODUCT_COUNT = "MISSING"

```

## field\_definitions Clause

The `field_definitions` clause names the fields in the datafile and specifies how to find them in records.

If the `field_definitions` clause is omitted, then:



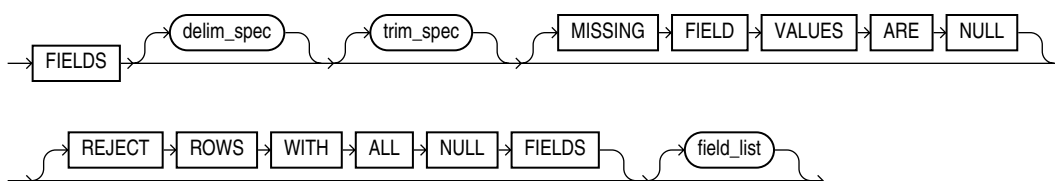
- The fields are assumed to be delimited by ','
- The fields are assumed to be character type
- The maximum length of the field is assumed to be 255
- The order of the fields in the datafile is the order in which the fields were defined in the external table
- No blanks are trimmed from the field

The following is an example of an external table created without any access parameters. It is followed by a sample of the datafile that can be used to load it.

```
CREATE TABLE emp_load (first_name CHAR(15), last_name CHAR(20), year_of_birth CHAR(4))
  ORGANIZATION EXTERNAL (TYPE ORACLE_LOADER DEFAULT DIRECTORY ext_tab_dir LOCATION ('info.dat'));
```

```
Alvin,Tolliver,1976
Kenneth,Baer,1963
```

The syntax for the `field_definitions` clause is as follows:



### delim\_spec Clause

The `delim_spec` clause is used to identify how all fields are terminated in the record. The `delim_spec` specified for all fields can be overridden for a particular field as part of the `field_list` clause. For a full description of the syntax, see [delim\\_spec](#) on page 13-14.

### trim\_spec Clause

The `trim_spec` clause specifies the type of whitespace trimming to be performed by default on all character fields. The `trim_spec` clause specified for all fields can be overridden for individual fields by specifying a `trim_spec` clause for those fields. For a full description of the syntax, see [trim\\_spec](#) on page 13-16.

### MISSING FIELD VALUES ARE NULL

`MISSING FIELD VALUES ARE NULL` indicates that if there is not enough data in a record for all fields, then those fields with missing data values are set to `NULL`. For a full description of the syntax, see [MISSING FIELD VALUES ARE NULL](#) on page 13-17.

### REJECT ROWS WITH ALL NULL FIELDS

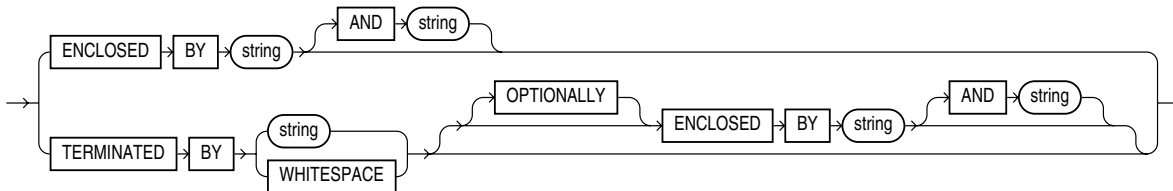
`REJECT ROWS WITH ALL NULL FIELDS` indicates that a row will not be loaded into the external table if all referenced fields in the row are null. If this parameter is not specified, the default value is to accept rows with all null fields. The setting of this parameter is written to the log file either as "reject rows with all null fields" or as "rows with all null fields are accepted."

## field\_list Clause

The `field_list` clause identifies the fields in the datafile and their datatypes. For a full description of the syntax, see [field\\_list](#) on page 13-17.

## delim\_spec

The `delim_spec` clause is used to find the end (and if `ENCLOSED BY` is specified, the start) of a field. Its syntax is as follows:



If `ENCLOSED BY` is specified, the access driver starts at the current position in the record and skips over all whitespace looking for the first delimiter. All whitespace between the current position and the first delimiter is ignored. Next, the access driver looks for the second enclosure delimiter (or looks for the first one again if a second one is not specified). Everything between those two delimiters is considered part of the field.

If `TERMINATED BY string` is specified with the `ENCLOSED BY` clause, then the terminator string must immediately follow the second enclosure delimiter. Any whitespace between the second enclosure delimiter and the terminating delimiter is skipped. If anything other than whitespace is found between the two delimiters, then the row is rejected for being incorrectly formatted.

If `TERMINATED BY` is specified without the `ENCLOSED BY` clause, then everything between the current position in the record and the next occurrence of the termination string is considered part of the field.

If `OPTIONALLY` is specified, then `TERMINATED BY` must also be specified. The `OPTIONALLY` parameter means the `ENCLOSED BY` delimiters can either both be present or both be absent. The terminating delimiter must be present regardless of whether the `ENCLOSED BY` delimiters are present. If `OPTIONALLY` is specified, then the access driver skips over all whitespace, looking for the first nonblank character. Once the first nonblank character is found, the access driver checks to see if the current position contains the first enclosure delimiter. If it does, then the access driver finds the second enclosure string and everything between the first and second enclosure delimiters is considered part of the field. The terminating delimiter must immediately follow the second enclosure delimiter (with optional whitespace allowed between the second enclosure delimiter and the terminating delimiter). If the first enclosure string is not found at the first nonblank character, then the access driver looks for the terminating delimiter. In this case, leading blanks are trimmed.

**See Also:** [Table 9-5](#) for a description of the access driver's default trimming behavior. You can override this behavior with `LTRIM` and `RTRIM`.

After the delimiters have been found, the current position in the record is set to the spot after the last delimiter for the field. If `TERMINATED BY WHITESPACE` was specified, then the current position in the record is set to after all whitespace following the field.

A missing terminator for the last field in the record is not an error. The access driver proceeds as if the terminator was found. It is an error if the second enclosure delimiter is missing.

The string used for the second enclosure can be included in the data field by including the second enclosure twice. For example, if a field is enclosed by single quotation marks, a data field could contain a single quotation mark by doing something like the following:

```
'I don''t like green eggs and ham'
```

There is no way to quote a terminator string in the field data without using enclosing delimiters. Because the field parser does not look for the terminating delimiter until after it has found the enclosing delimiters, the field can contain the terminating delimiter.

In general, specifying single characters for the strings is faster than multiple characters. Also, searching data in fixed-width character sets is usually faster than searching data in varying-width character sets.

---



---

**Note:** The use of the backslash character (\) within strings is not supported in external tables.

---



---

### Example: External Table with Terminating Delimiters

The following is an example of an external table that uses terminating delimiters. It is followed by a sample of the datafile that can be used to load it.

```
CREATE TABLE emp_load (first_name CHAR(15), last_name CHAR(20), year_of_birth CHAR(4))
  ORGANIZATION EXTERNAL (TYPE ORACLE_LOADER DEFAULT DIRECTORY ext_tab_dir
    ACCESS PARAMETERS (FIELDS TERMINATED BY WHITESPACE)
    LOCATION ('info.dat'));
```

```
Alvin Tolliver 1976
Kenneth Baer 1963
Mary Dube 1973
```

### Example: External Table with Enclosure and Terminator Delimiters

The following is an example of an external table that uses both enclosure and terminator delimiters. Remember that all whitespace between a terminating string and the first enclosure string is ignored, as is all whitespace between a second enclosing delimiter and the terminator. The example is followed by a sample of the datafile that can be used to load it.

```
CREATE TABLE emp_load (first_name CHAR(15), last_name CHAR(20), year_of_birth CHAR(4))
  ORGANIZATION EXTERNAL (TYPE ORACLE_LOADER DEFAULT DIRECTORY ext_tab_dir
    ACCESS PARAMETERS (FIELDS TERMINATED BY "," ENCLOSED BY "(" AND ")")
    LOCATION ('info.dat'));
```

```
(Alvin) , (Tolliver), (1976)
(Kenneth), (Baer) , (1963)
(Mary), (Dube) , (1973)
```

### Example: External Table with Optional Enclosure Delimiters

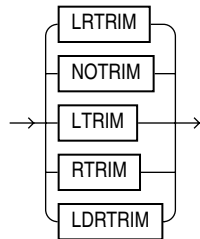
The following is an example of an external table that uses optional enclosure delimiters. Note that LRTRIM is used to trim leading and trailing blanks from fields. The example is followed by a sample of the datafile that can be used to load it.

```
CREATE TABLE emp_load (first_name CHAR(15), last_name CHAR(20), year_of_birth CHAR(4))
  ORGANIZATION EXTERNAL (TYPE ORACLE_LOADER DEFAULT DIRECTORY ext_tab_dir
    ACCESS PARAMETERS (FIELDS TERMINATED BY ','
      OPTIONALLY ENCLOSED BY '(' and ')')
      LRTRIM)
    LOCATION ('info.dat'));
```

```
Alvin , Tolliver , 1976
(Kenneth), (Baer), (1963)
( Mary ), Dube , (1973)
```

## trim\_spec

The `trim_spec` clause is used to specify that spaces should be trimmed from the beginning of a text field, the end of a text field, or both. Spaces include blanks and other nonprinting characters such as tabs, line feeds, and carriage returns. The syntax for the `trim_spec` clause is as follows:



`NOTRIM` indicates that no characters will be trimmed from the field.

`LRTRIM`, `LTRIM`, and `RTRIM` are used to indicate that characters should be trimmed from the field. `LRTRIM` means that both leading and trailing spaces are trimmed. `LTRIM` means that leading spaces will be trimmed. `RTRIM` means trailing spaces are trimmed.

`LDRTRIM` is used to provide compatibility with SQL\*Loader trim features. It is the same as `NOTRIM` except in the following cases:

- If the field is not a delimited field, then spaces will be trimmed from the right.
- If the field is a delimited field with `OPTIONALLY ENCLOSED BY` specified, and the optional enclosures are missing for a particular instance, then spaces will be trimmed from the left.

The default is `LDRTRIM`. Specifying `NOTRIM` yields the fastest performance.

The `trim_spec` clause can be specified before the field list to set the default trimming for all fields. If `trim_spec` is omitted before the field list, then `LDRTRIM` is the default trim setting. The default trimming can be overridden for an individual field as part of the `datatype_spec`.

If trimming is specified for a field that is all spaces, then the field will be set to `NULL`.

In the following example, all data is fixed-length; however, the character data will not be loaded with leading spaces. The example is followed by a sample of the datafile that can be used to load it.

```
CREATE TABLE emp_load (first_name CHAR(15), last_name CHAR(20),
  year_of_birth CHAR(4))
  ORGANIZATION EXTERNAL (TYPE ORACLE_LOADER DEFAULT DIRECTORY ext_tab_dir
    ACCESS PARAMETERS (FIELDS LTRIM)
      LOCATION ('info.dat'));
```

```
Alvin,          Tolliver,1976
Kenneth,       Baer,    1963
Mary,          Dube,    1973
```

## MISSING FIELD VALUES ARE NULL

MISSING FIELD VALUES ARE NULL indicates that if there is not enough data in a record for all fields, then those fields with missing data values are set to NULL. If MISSING FIELD VALUES ARE NULL is not specified, and there is not enough data in the record for all fields, then the row is rejected.

In the following example, the second record is stored with a NULL set for the `year_of_birth` column, even though the data for the year of birth is missing from the datafile. If the MISSING FIELD VALUES ARE NULL clause was omitted from the access parameters, then the second row would be rejected because it did not have a value for the `year_of_birth` column. The example is followed by a sample of the datafile that can be used to load it.

```
CREATE TABLE emp_load (first_name CHAR(15), last_name CHAR(20), year_of_birth INT)
  ORGANIZATION EXTERNAL (TYPE ORACLE_LOADER DEFAULT DIRECTORY ext_tab_dir
    ACCESS PARAMETERS (FIELDS TERMINATED BY ","
      MISSING FIELD VALUES ARE NULL)
    LOCATION ('info.dat'));
```

```
Alvin,Tolliver,1976
Baer,Kenneth
Mary,Dube,1973
```

## field\_list

The `field_list` clause identifies the fields in the datafile and their datatypes. Evaluation criteria for the `field_list` clause are as follows:

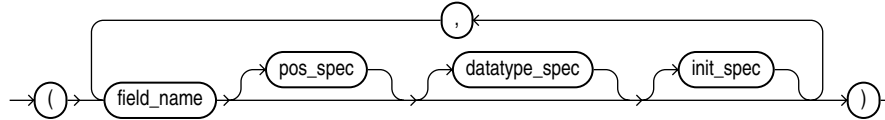
- If no datatype is specified for a field, it is assumed to be CHAR (1) for a nondelimited field, and CHAR (255) for a delimited field.
- If no field list is specified, then the fields in the datafile are assumed to be in the same order as the fields in the external table. The datatype for all fields is CHAR (255) unless the column in the database is CHAR or VARCHAR. If the column in the database is CHAR or VARCHAR, then the datatype for the field is still CHAR but the length is either 255 or the length of the column, whichever is greater.
- If no field list is specified and no `delim_spec` clause is specified, then the fields in the datafile are assumed to be in the same order as fields in the external table. All fields are assumed to be CHAR (255) and terminated by a comma.

This example shows the definition for an external table with no `field_list` and a `delim_spec`. It is followed by a sample of the datafile that can be used to load it.

```
CREATE TABLE emp_load (first_name CHAR(15), last_name CHAR(20), year_of_birth INT)
  ORGANIZATION EXTERNAL (TYPE ORACLE_LOADER DEFAULT DIRECTORY ext_tab_dir
    ACCESS PARAMETERS (FIELDS TERMINATED BY "|")
    LOCATION ('info.dat'));
```

```
Alvin|Tolliver|1976
Kenneth|Baer|1963
Mary|Dube|1973
```

The syntax for the `field_list` clause is as follows:



**field\_name**

The `field_name` is a string identifying the name of a field in the datafile. If the string is not within quotation marks, the name is uppercased when matching field names with column names in the external table.

If `field_name` matches the name of a column in the external table that is referenced in the query, then the field value is used for the value of that external table column. If the name does not match any referenced name in the external table, then the field is not loaded but can be used for clause evaluation (for example `WHEN` or `NULLIF`).

**pos\_spec**

The `pos_spec` clause indicates the position of the column within the record. For a full description of the syntax, see [pos\\_spec Clause](#) on page 13-18.

**datatype\_spec**

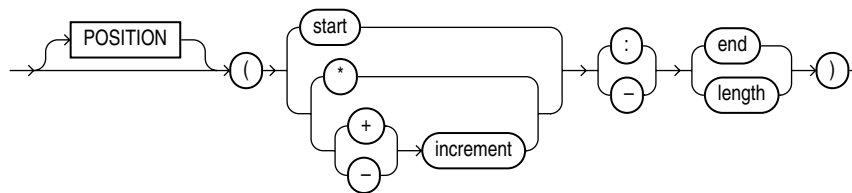
The `datatype_spec` clause indicates the datatype of the field. If `datatype_spec` is omitted, the access driver assumes the datatype is `CHAR(255)`. For a full description of the syntax, see [datatype\\_spec Clause](#) on page 13-19.

**init\_spec**

The `init_spec` clause indicates when a field is `NULL` or has a default value. For a full description of the syntax, see [init\\_spec Clause](#) on page 13-26.

**pos\_spec Clause**

The `pos_spec` clause indicates the position of the column within the record. The setting of the `STRING SIZES ARE IN` clause determines whether `pos_spec` refers to byte positions or character positions. Using character positions with varying-width character sets takes significantly longer than using character positions with fixed-width character sets. Binary and multibyte character data should not be present in the same datafile when `pos_spec` is used for character positions. If they are, then the results are unpredictable. The syntax for the `pos_spec` clause is as follows:



**start**

The `start` parameter is the number of bytes or characters from the beginning of the record to where the field begins. It positions the start of the field at an absolute spot in the record rather than relative to the position of the previous field.

**\***

The `*` parameter indicates that the field begins at the first byte or character after the end of the previous field. This is useful if you have a varying-length field followed by a fixed-length field. This option cannot be used for the first field in the record.

### increment

The `increment` parameter positions the start of the field at a fixed number of bytes or characters from the end of the previous field. Use `*-increment` to indicate that the start of the field starts before the current position in the record (this is a costly operation for multibyte character sets). Use `*+increment` to move the start after the current position.

### end

The `end` parameter indicates the absolute byte or character offset into the record for the last byte of the field. If `start` is specified along with `end`, then `end` cannot be less than `start`. If `*` or `increment` is specified along with `end`, and the `start` evaluates to an offset larger than the `end` for a particular record, then that record will be rejected.

### length

The `length` parameter indicates that the end of the field is a fixed number of bytes or characters from the start. It is useful for fixed-length fields when the start is specified with `*`.

The following example shows various ways of using `pos_spec`. It is followed by a sample of the datafile that can be used to load it.

```
CREATE TABLE emp_load (first_name CHAR(15),
                        last_name CHAR(20),
                        year_of_birth INT,
                        phone CHAR(12),
                        area_code CHAR(3),
                        exchange CHAR(3),
                        extension CHAR(4))

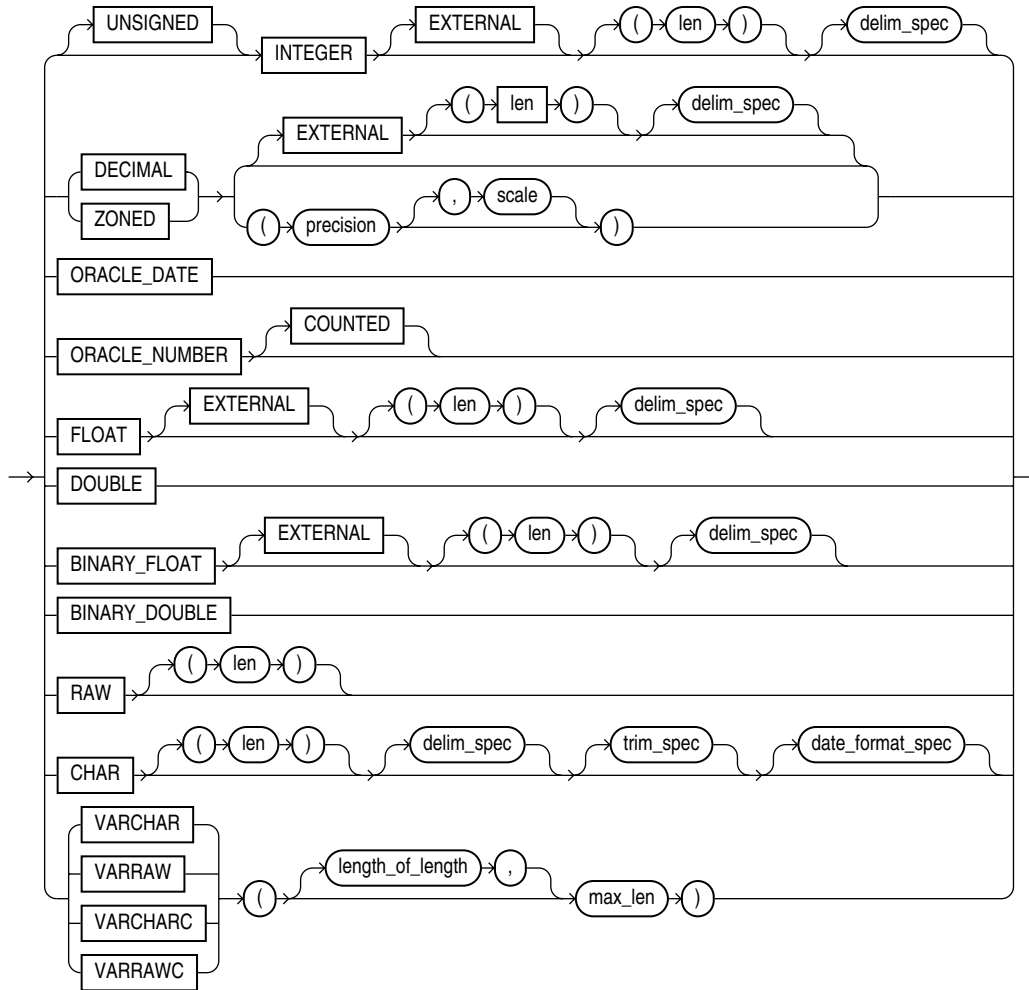
ORGANIZATION EXTERNAL
(TYPE ORACLE_LOADER
DEFAULT DIRECTORY ext_tab_dir
ACCESS PARAMETERS
(FIELDS RTRIM
 (first_name (1:15) CHAR(15),
  last_name (*:+20),
  year_of_birth (36:39),
  phone (40:52),
  area_code (*-12: +3),
  exchange (*+1: +3),
  extension (*+1: +4)))
LOCATION ('info.dat'));

Alvin          Tolliver          1976415-922-1982
Kenneth        Baer                  1963212-341-7912
Mary           Dube                    1973309-672-2341
```

## datatype\_spec Clause

The `datatype_spec` clause is used to describe the datatype of a field in the datafile if the datatype is different than the default. The datatype of the field can be different

than the datatype of a corresponding column in the external table. The access driver handles the necessary conversions. The syntax for the `datatype_spec` clause is as follows:



If the number of bytes or characters in any field is 0, then the field is assumed to be NULL. The optional `DEFAULTIF` clause specifies when the field is set to its default value. Also, the optional `NULLIF` clause specifies other conditions for when the column associated with the field is set to NULL. If the `DEFAULTIF` or `NULLIF` clause is `true`, then the actions of those clauses override whatever values are read from the datafile.

**See Also:**

- [init\\_spec Clause](#) on page 13-26 for more information about NULLIF and DEFAULTIF
- *Oracle Database SQL Language Reference* for more information about datatypes

**[UNSIGNED] INTEGER [EXTERNAL] [(len)]**

This clause defines a field as an integer. If `EXTERNAL` is specified, the number is a character string. If `EXTERNAL` is not specified, the number is a binary field. The valid values for `len` in binary integer fields are 1, 2, 4, and 8. If `len` is omitted for binary



integers, the default value is whatever the value of `sizeof(int)` is on the platform where the access driver is running. Use of the `DATA IS {BIG | LITTLE} ENDIAN` clause may cause the data to be byte-swapped before it is stored.

If `EXTERNAL` is specified, then the value of `len` is the number of bytes or characters in the number (depending on the setting of the `STRING SIZES ARE IN BYTES` or `CHARACTERS` clause). If no length is specified, the default value is 255.

### **DECIMAL [EXTERNAL] and ZONED [EXTERNAL]**

The `DECIMAL` clause is used to indicate that the field is a packed decimal number. The `ZONED` clause is used to indicate that the field is a zoned decimal number. The `precision` field indicates the number of digits in the number. The `scale` field is used to specify the location of the decimal point in the number. It is the number of digits to the right of the decimal point. If `scale` is omitted, a value of 0 is assumed.

Note that there are different encoding formats of zoned decimal numbers depending on whether the character set being used is EBCDIC-based or ASCII-based. If the language of the source data is EBCDIC, then the zoned decimal numbers in that file must match the EBCDIC encoding. If the language is ASCII-based, then the numbers must match the ASCII encoding.

If the `EXTERNAL` parameter is specified, then the data field is a character string whose length matches the precision of the field.

### **ORACLE\_DATE**

`ORACLE_DATE` is a field containing a date in the Oracle binary date format. This is the format used by the `DTYDAT` datatype in Oracle Call Interface (OCI) programs. The field is a fixed length of 7.

### **ORACLE\_NUMBER**

`ORACLE_NUMBER` is a field containing a number in the Oracle number format. The field is a fixed length (the maximum size of an Oracle number field) unless `COUNTED` is specified, in which case the first byte of the field contains the number of bytes in the rest of the field.

`ORACLE_NUMBER` is a fixed-length 22-byte field. The length of an `ORACLE_NUMBER` `COUNTED` field is one for the count byte, plus the number of bytes specified in the count byte.

### **Floating-Point Numbers**

The following four datatypes, `DOUBLE`, `FLOAT`, `BINARY_DOUBLE`, and `BINARY_FLOAT` are floating-point numbers.

`DOUBLE` and `FLOAT` are the floating-point formats used natively on the platform in use. They are the same datatypes used by default for the `DOUBLE` and `FLOAT` datatypes in a C program on that platform. `BINARY_FLOAT` and `BINARY_DOUBLE` are floating-point numbers that conform substantially with the Institute for Electrical and Electronics Engineers (IEEE) Standard for Binary Floating-Point Arithmetic, IEEE Standard 754-1985. Because most platforms use the IEEE standard as their native floating-point format, `FLOAT` and `BINARY_FLOAT` are the same on those platforms and `DOUBLE` and `BINARY_DOUBLE` are also the same.

---

**Note:** See *Oracle Database SQL Language Reference* for more information about floating-point numbers

---

## DOUBLE

The `DOUBLE` clause indicates that the field is the same format as the C language `DOUBLE` datatype on the platform where the access driver is executing. Use of the `DATA IS {BIG | LITTLE} ENDIAN` clause may cause the data to be byte-swapped before it is stored. This datatype may not be portable between certain platforms.

## FLOAT [EXTERNAL]

The `FLOAT` clause indicates that the field is the same format as the C language `FLOAT` datatype on the platform where the access driver is executing. Use of the `DATA IS {BIG | LITTLE} ENDIAN` clause may cause the data to be byte-swapped before it is stored. This datatype may not be portable between certain platforms.

If the `EXTERNAL` parameter is specified, then the field is a character string whose maximum length is 255. See

## BINARY\_DOUBLE

`BINARY_DOUBLE` is a 64-bit, double-precision, floating-point number datatype. Each `BINARY_DOUBLE` value requires 9 bytes, including a length byte. See the information in the note provided for the `FLOAT` datatype for more details about floating-point numbers.

## BINARY\_FLOAT

`BINARY_FLOAT` is a 32-bit, single-precision, floating-point number datatype. Each `BINARY_FLOAT` value requires 5 bytes, including a length byte. See the information in the note provided for the `FLOAT` datatype for more details about floating-point numbers.

## RAW

The `RAW` clause is used to indicate that the source data is binary data. The *len* for `RAW` fields is always in number of bytes. When a `RAW` field is loaded in a character column, the data that is written into the column is the hexadecimal representation of the bytes in the `RAW` field.

## CHAR

The `CHAR` clause is used to indicate that a field is a character datatype. The length (*len*) for `CHAR` fields specifies the largest number of bytes or characters in the field. The *len* is in bytes or characters, depending on the setting of the `STRING SIZES ARE IN` clause.

If no length is specified for a field of datatype `CHAR`, then the size of the field is assumed to be 1, unless the field is delimited:

- For a delimited `CHAR` field, if a length is specified, that length is used as a maximum.
- For a delimited `CHAR` field for which no length is specified, the default is 255 bytes.
- For a delimited `CHAR` field that is greater than 255 bytes, you must specify a maximum length. Otherwise you will receive an error stating that the field in the datafile exceeds maximum length.

The `date_format_spec` clause is used to indicate that the field contains a date or time in the specified format.

The following example shows the use of the `CHAR` clause.

```

SQL> CREATE TABLE emp_load
2   (employee_number    CHAR(5),
3   employee_dob        CHAR(20),
4   employee_last_name  CHAR(20),
5   employee_first_name CHAR(15),
6   employee_middle_name CHAR(15),
7   employee_hire_date  DATE)
8 ORGANIZATION EXTERNAL
9   (TYPE ORACLE_LOADER
10  DEFAULT DIRECTORY def_dir1
11  ACCESS PARAMETERS
12   (RECORDS DELIMITED BY NEWLINE
13   FIELDS (employee_number    CHAR(2),
14          employee_dob        CHAR(20),
15          employee_last_name  CHAR(18),
16          employee_first_name CHAR(11),
17          employee_middle_name CHAR(11),
18          employee_hire_date  CHAR(10) date_format DATE mask "mm/dd/yyyy"
19          )
20   )
21  LOCATION ('info.dat')
22  );

```

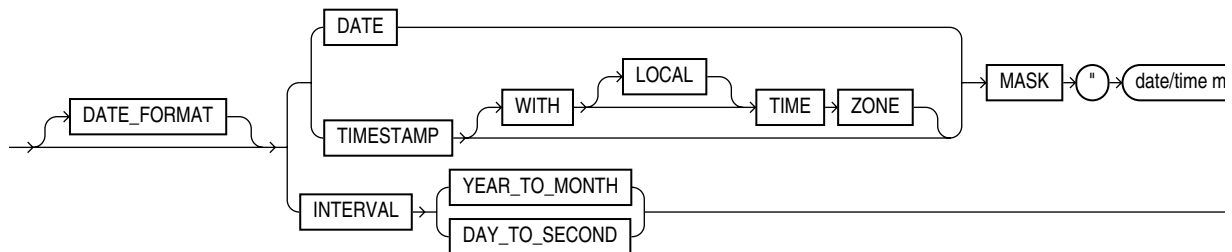
Table created.

### date\_format\_spec

The `date_format_spec` clause is used to indicate that a character string field contains date data, time data, or both, in a specific format. This information is used only when a character field is converted to a date or time datatype and only when a character string field is mapped into a date column.

For detailed information about the correct way to specify date and time formats, see *Oracle Database SQL Language Reference*.

The syntax for the `date_format_spec` clause is as follows:



**DATE** The `DATE` clause indicates that the string contains a date.

**MASK** The `MASK` clause is used to override the default globalization format mask for the datatype. If a date mask is not specified, then the settings of NLS parameters for the database (not the session settings) for the appropriate globalization parameter for the datatype are used. The `NLS_DATABASE_PARAMETERS` view shows these settings.

- `NLS_DATE_FORMAT` for `DATE` datatypes
- `NLS_TIMESTAMP_FORMAT` for `TIMESTAMP` datatypes
- `NLS_TIMESTAMP_TZ_FORMAT` for `TIMESTAMP WITH TIME ZONE` datatypes

Please note the following:

- The database setting for the NLS\_NUMERIC\_CHARACTERS initialization parameter (that is, from the NLS\_DATABASE\_PARAMETERS view) governs the decimal separator for implicit conversion from character to numeric datatypes.
- A group separator is not allowed in the default format.

**TIMESTAMP** The **TIMESTAMP** clause indicates that a field contains a formatted timestamp.

**INTERVAL** The **INTERVAL** clause indicates that a field contains a formatted interval. The type of interval can be either **YEAR TO MONTH** or **DAY TO SECOND**.

The following example shows a sample use of a complex **DATE** character string and a **TIMESTAMP** character string. It is followed by a sample of the datafile that can be used to load it.

```
SQL> CREATE TABLE emp_load
 2  (employee_number      CHAR(5),
 3  employee_dob         CHAR(20),
 4  employee_last_name   CHAR(20),
 5  employee_first_name  CHAR(15),
 6  employee_middle_name CHAR(15),
 7  employee_hire_date   DATE,
 8  rec_creation_date    TIMESTAMP WITH TIME ZONE)
 9  ORGANIZATION EXTERNAL
10  (TYPE ORACLE_LOADER
11  DEFAULT DIRECTORY def_dir1
12  ACCESS PARAMETERS
13  (RECORDS DELIMITED BY NEWLINE
14  FIELDS (employee_number      CHAR(2),
15         employee_dob         CHAR(20),
16         employee_last_name   CHAR(18),
17         employee_first_name  CHAR(11),
18         employee_middle_name CHAR(11),
19         employee_hire_date    CHAR(22) date_format DATE mask "mm/dd/yyyy hh:mi:ss AM",
20         rec_creation_date    CHAR(35) date_format TIMESTAMP WITH TIME ZONE mask
"DD-MON-RR HH.MI.SSXF AM TZH:TZM"
21         )
22  )
23  LOCATION ('infoc.dat')
24  );
```

Table created.

```
SQL> SELECT * FROM emp_load;
```

EMPLO	EMPLOYEE_DOB	EMPLOYEE_LAST_NAME	EMPLOYEE_FIRST_	EMPLOYEE_MIDDLE
56	november, 15, 1980	baker	mary	alice
	01-SEP-04			
	01-DEC-04 11.22.03.034567 AM			-08:00
87	december, 20, 1970	roper	lisa	marie
	01-JAN-99			
	01-DEC-99 02.03.00.678573 AM			-08:00

2 rows selected.

The info.dat file looks like the following. Note that this is 2 long records. There is one space between the data fields (09/01/2004, 01/01/1999) and the time field that follows.

```
56november, 15, 1980 baker          mary      alice      09/01/2004 08:23:01 AM01-DEC-04
11.22.03.034567 AM -08:00
87december, 20, 1970 roper         lisa      marie      01/01/1999 02:44:55 PM01-DEC-99
02.03.00.678573 AM -08:00
```

## VARCHAR and VARRAW

The VARCHAR datatype has a binary count field followed by character data. The value in the binary count field is either the number of bytes in the field or the number of characters. See [STRING SIZES ARE IN](#) on page 13-8 for information about how to specify whether the count is interpreted as a count of characters or count of bytes.

The VARRAW datatype has a binary count field followed by binary data. The value in the binary count field is the number of bytes of binary data. The data in the VARRAW field is not affected by the DATA IS...ENDIAN clause.

The VARIABLE 2 clause in the ACCESS PARAMETERS clause specifies the size of the binary field that contains the length.

The optional *length\_of\_length* field in the specification is the number of bytes in the count field. Valid values for *length\_of\_length* for VARCHAR are 1, 2, 4, and 8. If *length\_of\_length* is not specified, a value of 2 is used. The count field has the same endianness as specified by the DATA IS...ENDIAN clause.

The *max\_len* field is used to indicate the largest size of any instance of the field in the datafile. For VARRAW fields, *max\_len* is number of bytes. For VARCHAR fields, *max\_len* is either number of characters or number of bytes depending on the STRING SIZES ARE IN clause.

The following example shows various uses of VARCHAR and VARRAW. The content of the data file, info.dat, is shown following the example.

```
CREATE TABLE emp_load
    (first_name CHAR(15),
     last_name CHAR(20),
     resume CHAR(2000),
     picture RAW(2000))
ORGANIZATION EXTERNAL
(TYPE ORACLE_LOADER
DEFAULT DIRECTORY ext_tab_dir
ACCESS PARAMETERS
(RECORDS
VARIABLE 2
DATA IS BIG ENDIAN
CHARACTERSET US7ASCII
FIELDS (first_name VARCHAR(2,12),
        last_name VARCHAR(2,20),
        resume VARCHAR(4,10000),
        picture VARRAW(4,100000)))
LOCATION ('info.dat'));
```

## Contents of info.dat Data File

The contents of the data file used in the example are as follows:.

```
0005Alvin0008Tolliver0000001DAlvin Tolliver's Resume etc. 0000001013f4690a30bc29d7e40023ab4599ffff
```

It is important to understand that, for the purposes of readable documentation, the binary values for the count bytes and the values for the raw data are shown in the data file in italics, with 2 characters per binary byte. The values in an actual data file would be in binary format, not ASCII. Therefore, if you attempt to use this example by cutting and pasting, you will receive an error.

## VARCHARC and VARRAWC

The VARCHARC datatype has a character count field followed by character data. The value in the count field is either the number of bytes in the field or the number of characters. See [STRING SIZES ARE IN](#) on page 13-8 for information about how to specify whether the count is interpreted as a count of characters or count of bytes. The optional *length\_of\_length* is either the number of bytes or the number of characters in the count field for VARCHARC, depending on whether lengths are being interpreted as characters or bytes.

The maximum value for *length\_of\_lengths* for VARCHARC is 10 if string sizes are in characters, and 20 if string sizes are in bytes. The default value for *length\_of\_length* is 5.

The VARRAWC datatype has a character count field followed by binary data. The value in the count field is the number of bytes of binary data. The *length\_of\_length* is the number of bytes in the count field.

The *max\_len* field is used to indicate the largest size of any instance of the field in the datafile. For VARRAWC fields, *max\_len* is number of bytes. For VARCHARC fields, *max\_len* is either number of characters or number of bytes depending on the [STRING SIZES ARE IN](#) clause.

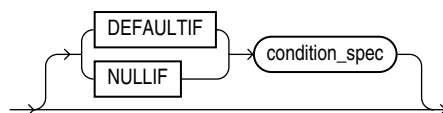
The following example shows various uses of VARCHARC and VARRAWC. The length of the picture field is 0, which means the field is set to NULL.

```
CREATE TABLE emp_load
    (first_name CHAR(15),
     last_name CHAR(20),
     resume CHAR(2000),
     picture RAW (2000))
ORGANIZATION EXTERNAL
(TYPE ORACLE_LOADER
 DEFAULT DIRECTORY ext_tab_dir
 ACCESS PARAMETERS
  (FIELDS (first_name VARCHARC(5,12),
           last_name VARCHARC(2,20),
           resume VARCHARC(4,10000),
           picture VARRAWC(4,100000)))
 LOCATION ('info.dat'));

00007William05Ricca0035Resume for William Ricca is missing0000
```

## init\_spec Clause

The *init\_spec* clause is used to specify when a field should be set to NULL or when it should be set to a default value. The syntax for the *init\_spec* clause is as follows:



Only one `NULLIF` clause and only one `DEFAULTIF` clause can be specified for any field. These clauses behave as follows:

- If `NULLIF condition_spec` is specified and it evaluates to `true`, the field is set to `NULL`.
- If `DEFAULTIF condition_spec` is specified and it evaluates to `true`, the value of the field is set to a default value. The default value depends on the datatype of the field, as follows:
  - For a character datatype, the default value is an empty string.
  - For a numeric datatype, the default value is a 0.
  - For a date datatype, the default value is `NULL`.
- If a `NULLIF` clause and a `DEFAULTIF` clause are both specified for a field, then the `NULLIF` clause is evaluated first and the `DEFAULTIF` clause is evaluated only if the `NULLIF` clause evaluates to `false`.

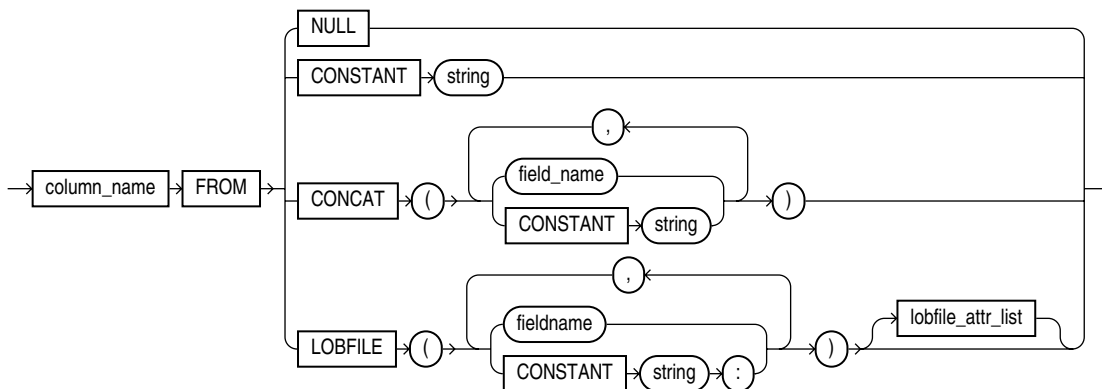
## column\_transforms Clause

The optional `column_transforms` clause provides transforms that you can use to describe how to load columns in the external table that do not map directly to columns in the datafile. The syntax for the `column_transforms` clause is as follows:



## transform

Each transform specified in the `transform` clause identifies a column in the external table and then specifies how to calculate the value of the column. The syntax is as follows:



The `NULL` transform is used to set the external table column to `NULL` in every row. The `CONSTANT` transform is used to set the external table column to the same value in every row. The `CONCAT` transform is used to set the external table column to the concatenation of constant strings and/or fields in the current record from the datafile. The `LOBFILE` transform is used to load data into a field for a record from another datafile. Each of these transforms is explained further in the following sections.

**column\_name**

The `column_name` uniquely identifies a column in the external table to be loaded. Note that if the name of a column is mentioned in the `transform` clause, then that name cannot be specified in the `FIELDS` clause as a field in the datafile.

**NULL**

When the `NULL` transform is specified, every value of the field is set to `NULL` for every record.

**CONSTANT**

The `CONSTANT` transform uses the value of the string specified as the value of the column in the record. If the column in the external table is not a character string type, then the constant string will be converted to the datatype of the column. This conversion will be done for every row.

The character set of the string used for datatype conversions is the character set of the database.

**CONCAT**

The `CONCAT` transform concatenates constant strings and fields in the datafile together to form one string. Only fields that are character datatypes and that are listed in the `fields` clause can be used as part of the concatenation. Other column transforms cannot be specified as part of the concatenation.

**LOBFILE**

The `LOBFILE` transform is used to identify a file whose contents are to be used as the value for a column in the external table. All `LOBFILE`s are identified by an optional directory object and a filename in the form *directory object:filename*. The following rules apply to use of the `LOBFILE` transform:

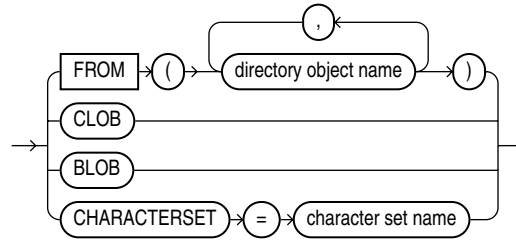
- Both the directory object and the filename can be either a constant string or the name of a field in the field clause.
- If a constant string is specified, then that string is used to find the `LOBFILE` for every row in the table.
- If a field name is specified, then the value of that field in the datafile is used to find the `LOBFILE`.
- If a field name is specified for either the directory object or the filename and if the value of that field is `NULL`, then the column being loaded by the `LOBFILE` is also set to `NULL`.
- If the directory object is not specified, then the default directory specified for the external table is used.
- If a field name is specified for the directory object, the `FROM` clause also needs to be specified.

Note that the entire file is used as the value of the LOB column. If the same file is referenced in multiple rows, then that file is reopened and reread in order to populate each column.

**lobfile\_attr\_list**

The `lobfile_attr_list` lists additional attributes of the `LOBFILE`. The syntax is as follows:





The **FROM** clause lists the names of all directory objects that will be used for LOBFILES. It is used only when a field name is specified for the directory object of the name of the LOBFILE. The purpose of the **FROM** clause is to determine the type of access allowed to the named directory objects during initialization. If directory object in the value of field is not a directory object in this list, then the row will be rejected.

The **CLOB** attribute indicates that the data in the LOBFILE is character data (as opposed to **RAW** data). Character data may need to be translated into the character set used to store the LOB in the database.

The **CHARACTERSET** attribute contains the name of the character set for the data in the LOBFILES.

The **BLOB** attribute indicates that the data in the LOBFILE is raw data.

If neither **CLOB** nor **BLOB** is specified, then **CLOB** is assumed. If no character set is specified for character LOBFILES, then the character set of the datafile is assumed.

## Reserved Words for the ORACLE\_LOADER Access Driver

When identifiers (for example, column or table names) are specified in the external table access parameters, certain values are considered to be reserved words by the access parameter parser. If a reserved word is used as an identifier it must be enclosed in double quotation marks. The following are the reserved words for the **ORACLE\_LOADER** access driver:

- ALL
- AND
- ARE
- ASTERISK
- AT
- ATSIGN
- BADFILE
- BADFILENAME
- BACKSLASH
- BENDIAN
- BIG
- BLANKS
- BY
- BYTES
- BYTESTR

- CHAR
- CHARACTERS
- CHARACTERSET
- CHARSET
- CHARSTR
- CHECK
- CLOB
- COLLENGTH
- COLON
- COLUMN
- COMMA
- CONCAT
- CONSTANT
- COUNTED
- DATA
- DATE
- DATE\_CACHE
- DATE\_FORMAT
- DATEMASK
- DAY
- DEBUG
- DECIMAL
- DEFAULTIF
- DELIMITBY
- DELIMITED
- DISCARDFILE
- DOT
- DOUBLE
- DOUBLETYP
- DQSTRING
- DQUOTE
- DSCFILENAME
- ENCLOSED
- ENDIAN
- ENDPOS
- EOF
- EQUAL

- EXIT
- EXTENDED\_IO\_PARAMETERS
- EXTERNAL
- EXTERNALKW
- EXTPARM
- FIELD
- FIELDS
- FILE
- FILEDIR
- FILENAME
- FIXED
- FLOAT
- FLOATTYPE
- FOR
- FROM
- HASH
- HEXPREFIX
- IN
- INTEGER
- INTERVAL
- LANGUAGE
- IS
- LEFTCB
- LEFTTXTDELIM
- LEFTP
- LENDIAN
- LDRTRIM
- LITTLE
- LOAD
- LOBFILE
- LOBPC
- LOBPCCONST
- LOCAL
- LOCALTZZONE
- LOGFILE
- LOGFILENAME
- LRTRIM

- LTRIM
- MAKE\_REF
- MASK
- MINUSSIGN
- MISSING
- MISSINGFLD
- MONTH
- NEWLINE
- NO
- NOCHECK
- NOT
- NOBADFILE
- NODISCARDFILE
- NOLOGFILE
- NOTEQUAL
- NOTERMBY
- NOTRIM
- NULL
- NULLIF
- OID
- OPTENCLOSE
- OPTIONALLY
- OPTIONS
- OR
- ORACLE\_DATE
- ORACLE\_NUMBER
- PLUSSIGN
- POSITION
- PROCESSING
- QUOTE
- RAW
- READSIZE
- RECNUM
- RECORDS
- REJECT
- RIGHTCB
- RIGHTTXTDELIM

- RIGHTP
- ROW
- ROWS
- RTRIM
- SCALE
- SECOND
- SEMI
- SETID
- SIGN
- SIZES
- SKIP
- STRING
- TERMBY
- TERMEOF
- TERMINATED
- TERMWS
- TERRITORY
- TIME
- TIMESTAMP
- TIMEZONE
- TO
- TRANSFORMS
- UNDERSCORE
- UINTEGER
- UNSIGNED
- VALUES
- VARCHAR
- VARCHARC
- VARIABLE
- VARRAW
- VARRAWC
- VLENELN
- VMAXLEN
- WHEN
- WHITESPACE
- WITH
- YEAR

- ZONED

---

---

## The ORACLE\_DATAPUMP Access Driver

This chapter describes the ORACLE\_DATAPUMP access driver. The following topics are discussed:

- [access\\_parameters Clause](#)
- [Unloading and Loading Data with the ORACLE\\_DATAPUMP Access Driver](#)
- [Supported Datatypes](#)
- [Unsupported Datatypes](#)
- [Reserved Words for the ORACLE\\_DATAPUMP Access Driver](#)

To use the information in this chapter, you must know enough about SQL to be able to create an external table and perform queries against it.

---

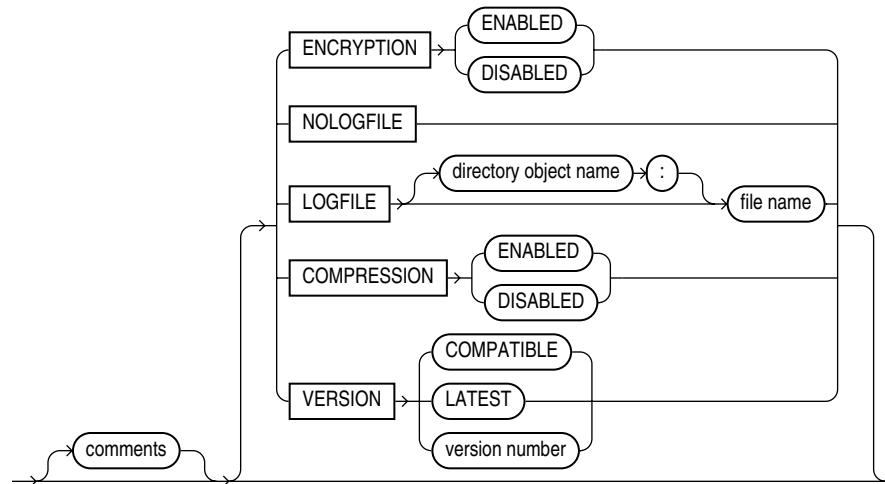
---

### Notes:

- It is sometimes difficult to describe syntax without using other syntax that is not documented until later in the chapter. If it is not clear what some syntax is supposed to do, you might want to skip ahead and read about that particular element.
  - When identifiers (for example, column or table names) are specified in the external table access parameters, certain values are considered to be reserved words by the access parameter parser. If a reserved word is used as an identifier, it must be enclosed in double quotation marks. See [Reserved Words for the ORACLE\\_DATAPUMP Access Driver](#) on page 14-15.
- 
- 

### access\_parameters Clause

When you create the external table, you can specify certain parameters in an `access_parameters` clause. This clause is optional, as are its individual parameters. For example, you could specify `LOGFILE`, but not `VERSION`, or vice versa. The syntax for the `access_parameters` clause is as follows.



## comments

Comments are lines that begin with two hyphens followed by text. Comments must be placed *before* any access parameters, for example:

```
--This is a comment.
--This is another comment.
NOLOG
```

All text to the right of the double hyphen is ignored, until the end of the line.

## COMPRESSION

Default: DISABLED

### Purpose

Specifies whether or not to compress data before it is written to the dump file set.

### Syntax and Description

```
COMPRESSION=[ENABLED | DISABLED]
```

If **ENABLED** is specified, then all data is compressed for the entire upload operation.

If **DISABLED** is specified, then no data is compressed for the upload operation.

### Example

In the following example, the **COMPRESSION** parameter is set to **ENABLED**. Therefore, all data written to the `dept.dmp` dump file will be in compressed format.

```
CREATE TABLE table deptXTec3
  ORGANIZATION EXTERNAL (TYPE ORACLE_DATAPUMP DEFAULT DIRECTORY def_dir1
  ACCESS PARAMETERS (COMPRESSION ENABLED) LOCATION ('dept.dmp'));
```

## ENCRYPTION

Default: DISABLED

### Purpose

Specifies whether or not to encrypt data before it is written to the dump file set.



## Syntax and Description

ENCRYPTION=[ENABLED | DISABLED]

If ENABLED is specified, then all data is written to the dump file set in encrypted format.

If DISABLED is specified, then no data is written to the dump file set in encrypted format.

## Restrictions

This parameter is used only for export operations.

## Example

In the following example, the ENCRYPTION parameter is set to ENABLED. Therefore, all data written to the dept.dmp file will be in encrypted format.

```
CREATE TABLE deptXTec3
  ORGANIZATION EXTERNAL (TYPE ORACLE_DATAPUMP DEFAULT DIRECTORY def_dir1
  ACCESS PARAMETERS (ENCRYPTION ENABLED) LOCATION ('dept.dmp'));
```

## LOGFILE | NOLOGFILE

Default: If LOGFILE is not specified, a log file is created in the default directory and the name of the log file is generated from the table name and the process ID with an extension of .log. If a log file already exists by the same name, the access driver reopens that log file and appends the new log information to the end.

## Purpose

LOGFILE specifies the name of the log file that contains any messages generated while the dump file was being accessed. NOLOGFILE prevents the creation of a log file.

## Syntax and Description

NOLOGFILE

or

LOGFILE=[*directory\_object*:]*logfile\_name*

If a directory object is not specified as part of the log file name, then the directory object specified by the DEFAULT DIRECTORY attribute is used. If a directory object is not specified and no default directory was specified, an error is returned. See [Filenames for LOGFILE](#) on page 14-4 for information about using wildcards to create unique filenames during parallel loads or unloads

## Example

In the following example, the dump file, dept\_dmp, is in the directory identified by the directory object, load\_dir, but the log file, deptxt.log, is in the directory identified by the directory object, log\_dir.

```
CREATE TABLE dept_xt (dept_no INT, dept_name CHAR(20), location CHAR(20))
  ORGANIZATION EXTERNAL (TYPE ORACLE_DATAPUMP DEFAULT DIRECTORY load_dir
  ACCESS PARAMETERS (LOGFILE log_dir:deptxt) LOCATION ('dept_dmp'));
```

### Filenames for LOGFILE

The access driver does some symbol substitution to help make filenames unique in the case of parallel loads. The symbol substitutions supported are as follows:

- `%p` is replaced by the process ID of the current process. For example, if the process ID of the access driver is 12345, then `exttab_%p.log` becomes `exttab_12345.log`.
- `%a` is replaced by the agent number of the current process. The agent number is the unique number assigned to each parallel process accessing the external table. This number is padded to the left with zeros to fill three characters. For example, if the third parallel agent is creating a file and `exttab_%a.log` was specified as the filename, then the agent would create a file named `exttab_003.log`.
- `%%` is replaced by `'%'`. If there is a need to have a percent sign in the filename, then this symbol substitution must be used.

If the `'%'` character is followed by anything other than one of the characters in the preceding list, then an error is returned.

If `%p` or `%a` is not used to create unique filenames for output files and an external table is being accessed in parallel, output files may be corrupted or agents may be unable to write to the files.

If no extension is supplied for the file, a default extension of `.log` will be used. If the name generated is not a valid filename, an error is returned and no data is loaded or unloaded.

### VERSION Clause

The `VERSION` clause is used to specify the minimum version of Oracle Database that will be reading the dump file. If you specify a version of 10.2, then both 10.2 and 11.1 databases can read the dump file. If you specify a version of 11.1, then only 11.1 databases can read the dump file.

The default value is `COMPATIBLE`.

### Effects of Using the SQL ENCRYPT Clause

If you specify the `SQL ENCRYPT` clause when you create an external table, keep the following in mind:

- The columns for which you specify the `ENCRYPT` clause will be encrypted before being written into the dump file.
- If you move the dump file to another database, then the same encryption password must be used for both the encrypted columns in the dump file and for the external table used to read the dump file.
- If you do not specify a password for the correct encrypted columns in the external table on the second database, you will get an error. If you do not specify the correct password, you will get garbage data in the dump file.
- The dump file that is produced must be at version 10.2 or higher. Otherwise, an error is returned.

**See Also:** *Oracle Database SQL Language Reference* for more information about using the `ENCRYPT` clause on a `CREATE TABLE` statement

## Unloading and Loading Data with the ORACLE\_DATAPUMP Access Driver

The ORACLE\_DATAPUMP access driver can be used to populate a file with data. The data in the file is written in a binary format that can only be read by the ORACLE\_DATAPUMP access driver. Once the file has been populated with data, that file can be used as the dump file for another external table in the same database or in a different database.

The following steps use the sample schema, `oe`, to show an extended example of how you can use the ORACLE\_DATAPUMP access driver to unload and load data. (The example assumes that the directory object `def_dir1` already exists, and that user `oe` has read and write access to it.)

1. An external table will populate a file with data only as part of creating the external table with the `AS SELECT` clause. The following example creates an external table named `inventories_xt` and populates the dump file for the external table with the data from table `inventories` in the `oe` schema.

```
SQL> CREATE TABLE inventories_xt
 2 ORGANIZATION EXTERNAL
 3 (
 4   TYPE ORACLE_DATAPUMP
 5   DEFAULT DIRECTORY def_dir1
 6   LOCATION ('inv_xt.dmp')
 7 )
 8 AS SELECT * FROM inventories;
```

Table created.

2. Describe both `inventories` and the new external table, as follows. They should both match.

```
SQL> DESCRIBE inventories
Name                                     Null?    Type
-----
PRODUCT_ID                             NOT NULL NUMBER(6)
WAREHOUSE_ID                            NOT NULL NUMBER(3)
QUANTITY_ON_HAND                        NOT NULL NUMBER(8)

SQL> DESCRIBE inventories_xt
Name                                     Null?    Type
-----
PRODUCT_ID                             NOT NULL NUMBER(6)
WAREHOUSE_ID                            NOT NULL NUMBER(3)
QUANTITY_ON_HAND                        NOT NULL NUMBER(8)
```

3. Now that the external table is created, it can be queried just like any other table. For example, select the count of records in the external table, as follows:

```
SQL> SELECT COUNT(*) FROM inventories_xt;

COUNT(*)
-----
      1112
```

4. Compare the data in the external table against the data in `inventories`. There should be no differences.

```
SQL> SELECT * FROM inventories MINUS SELECT * FROM inventories_xt;
```

```
no rows selected
```

- After an external table has been created and the dump file populated by the CREATE TABLE AS SELECT statement, no rows may be added, updated, or deleted from the external table. Any attempt to modify the data in the external table will fail with an error.

The following example shows an attempt to use data manipulation language (DML) on an existing external table. This will return an error, as shown.

```
SQL> DELETE FROM inventories_xt WHERE warehouse_id = 5;
DELETE FROM inventories_xt WHERE warehouse_id = 5
*
ERROR at line 1:
ORA-30657: operation not supported on external organized table
```

- The dump file created for the external table can now be moved and used as the dump file for another external table in the same database or different database. Note that when you create an external table that uses an existing file, there is no AS SELECT clause for the CREATE TABLE statement.

```
SQL> CREATE TABLE inventories_xt2
 2 (
 3   product_id          NUMBER(6),
 4   warehouse_id       NUMBER(3),
 5   quantity_on_hand   NUMBER(8)
 6 )
 7 ORGANIZATION EXTERNAL
 8 (
 9   TYPE ORACLE_DATAPUMP
10   DEFAULT DIRECTORY def_dir1
11   LOCATION ('inv_xt.dmp')
12 );
```

Table created.

- Compare the data for the new external table against the data in the inventories table. The product\_id field will be converted to a compatible datatype before the comparison is done. There should be no differences.

```
SQL> SELECT * FROM inventories MINUS SELECT * FROM inventories_xt2;

no rows selected
```

- Create an external table with three dump files and with a degree of parallelism of three.

```
SQL> CREATE TABLE inventories_xt3
 2 ORGANIZATION EXTERNAL
 3 (
 4   TYPE ORACLE_DATAPUMP
 5   DEFAULT DIRECTORY def_dir1
 6   LOCATION ('inv_xt1.dmp', 'inv_xt2.dmp', 'inv_xt3.dmp')
 7 )
 8 PARALLEL 3
 9 AS SELECT * FROM inventories;
```

Table created.

- Compare the data unload against inventories. There should be no differences.

```
SQL> SELECT * FROM inventories MINUS SELECT * FROM inventories_xt3;
```

no rows selected

**10. Create an external table containing some rows from table inventories.**

```
SQL> CREATE TABLE inv_part_xt
 2 ORGANIZATION EXTERNAL
 3 (
 4 TYPE ORACLE_DATAPUMP
 5 DEFAULT DIRECTORY def_dir1
 6 LOCATION ('inv_p1_xt.dmp')
 7 )
 8 AS SELECT * FROM inventories WHERE warehouse_id < 5;
```

Table created.

**11. Create another external table containing the rest of the rows from inventories.**

```
SQL> drop table inv_part_xt;
```

Table dropped.

```
SQL>
SQL> CREATE TABLE inv_part_xt
 2 ORGANIZATION EXTERNAL
 3 (
 4 TYPE ORACLE_DATAPUMP
 5 DEFAULT DIRECTORY def_dir1
 6 LOCATION ('inv_p2_xt.dmp')
 7 )
 8 AS SELECT * FROM inventories WHERE warehouse_id >= 5;
```

Table created.

**12. Create an external table that uses the two dump files created in Steps 10 and 11.**

```
SQL> CREATE TABLE inv_part_all_xt
 2 (
 3 product_id NUMBER(6),
 4 warehouse_id NUMBER(3),
 5 quantity_on_hand NUMBER(8)
 6 )
 7 ORGANIZATION EXTERNAL
 8 (
 9 TYPE ORACLE_DATAPUMP
10 DEFAULT DIRECTORY def_dir1
11 LOCATION ('inv_p1_xt.dmp', 'inv_p2_xt.dmp')
12 );
```

Table created.

**13. Compare the new external table to the inventories table. There should be no differences. This is because the two dump files used to create the external table have the same metadata (for example, the same table name inv\_part\_xt and the same column information)**

```
SQL> SELECT * FROM inventories MINUS SELECT * FROM inv_part_all_xt;
```

no rows selected

## Parallel Loading and Unloading

The dump file must be on a disk big enough to hold all the data being written. If there is insufficient space for all of the data, then an error will be returned for the `CREATE TABLE AS SELECT` statement. One way to alleviate the problem is to create multiple files in multiple directory objects (assuming those directories are on different disks) when executing the `CREATE TABLE AS SELECT` statement. Multiple files can be created by specifying multiple locations in the form `directory:file` in the `LOCATION` clause and by specifying the `PARALLEL` clause. Each parallel I/O server process that is created to populate the external table writes to its own file. The number of files in the `LOCATION` clause should match the degree of parallelization because each I/O server process requires its own files. Any extra files that are specified will be ignored. If there are not enough files for the degree of parallelization specified, then the degree of parallelization will be lowered to match the number of files in the `LOCATION` clause.

Here is an example of unloading the `inventories` table into three files.

```
SQL> CREATE TABLE inventories XT_3
 2 ORGANIZATION EXTERNAL
 3 (
 4   TYPE ORACLE_DATAPUMP
 5   DEFAULT DIRECTORY def_dir1
 6   LOCATION ('inv_xt1.dmp', 'inv_xt2.dmp', 'inv_xt3.dmp')
 7 )
 8 PARALLEL 3
 9 AS SELECT * FROM oe.inventories;
```

Table created.

The degree of parallelization is not tied to the number of files in the `LOCATION` clause when reading from `ORACLE_DATAPUMP` external tables. There is information in the dump files so that multiple parallel I/O server processes can read different portions of the same file. So, even if there is only one dump file, the degree of parallelization can be increased to speed the time required to read the file.

## Combining Dump Files

Dump files populated by different external tables can all be specified in the `LOCATION` clause of another external table. For example, data from different production databases can be unloaded into separate files, and then those files can all be included in an external table defined in a data warehouse. This provides an easy way of aggregating data from multiple sources. The only restriction is that the metadata for all of the external tables be exactly the same. This means that the character set, time zone, schema name, table name, and column names must all match. Also, the columns must be defined in the same order, and their datatypes must be exactly alike. This means that after you create the first external table you must drop it so that you can use the same table name for the second external table. This ensures that the metadata listed in the two dump files is the same and they can be used together to create the same external table.

```
SQL> CREATE TABLE inv_part_1_xt
 2 ORGANIZATION EXTERNAL
 3 (
 4   TYPE ORACLE_DATAPUMP
 5   DEFAULT DIRECTORY def_dir1
 6   LOCATION ('inv_p1_xt.dmp')
 7 )
 8 AS SELECT * FROM oe.inventories WHERE warehouse_id < 5;
```

Table created.

```
SQL> DROP TABLE inv_part_1_xt;

SQL> CREATE TABLE inv_part_1_xt
 2 ORGANIZATION EXTERNAL
 3 (
 4   TYPE ORACLE_DATAPUMP
 5   DEFAULT DIRECTORY def_dir1
 6   LOCATION ('inv_p2_xt.dmp')
 7 )
 8 AS SELECT * FROM oe.inventories WHERE warehouse_id >= 5;
```

Table created.

```
SQL> CREATE TABLE inv_part_all_xt
 2 (
 3   PRODUCT_ID          NUMBER(6),
 4   WAREHOUSE_ID        NUMBER(3),
 5   QUANTITY_ON_HAND    NUMBER(8)
 6 )
 7 ORGANIZATION EXTERNAL
 8 (
 9   TYPE ORACLE_DATAPUMP
10   DEFAULT DIRECTORY def_dir1
11   LOCATION ('inv_p1_xt.dmp', 'inv_p2_xt.dmp')
12 );
```

Table created.

```
SQL> SELECT * FROM inv_part_all_xt MINUS SELECT * FROM oe.inventories;
```

no rows selected

## Supported Datatypes

You may encounter the following situations when you use external tables to move data between databases:

- The database character set and the database national character set may be different between the two platforms.
- The endianness of the platforms for the two databases may be different.

The ORACLE\_DATAPUMP access driver automatically resolves some of these situations.

The following datatypes are automatically converted during loads and unloads:

- Character (CHAR, NCHAR, VARCHAR2, NVARCHAR2)
- RAW
- NUMBER
- Date/Time
- BLOB
- CLOB and NCLOB
- ROWID and UROWID

If you attempt to use a datatype that is not supported for external tables, you will receive an error. This is demonstrated in the following example, in which the unsupported datatype, LONG, is used:

```
SQL> CREATE TABLE bad_datatype_xt
 2 (
 3   product_id          NUMBER(6),
 4   language_id        VARCHAR2(3),
 5   translated_name     NVARCHAR2(50),
 6   translated_description LONG
 7 )
 8 ORGANIZATION EXTERNAL
 9 (
10   TYPE ORACLE_DATAPUMP
11   DEFAULT DIRECTORY def_dir1
12   LOCATION ('proddesc.dmp')
13 );
   translated_description LONG
   *
ERROR at line 6:
ORA-30656: column type not supported on external organized table
```

**See Also:** [Unsupported Datatypes](#) on page 14-10

## Unsupported Datatypes

An external table supports a subset of all possible datatypes for columns. In particular, it supports character datatypes (except LONG), the RAW datatype, all numeric datatypes, and all date, timestamp, and interval datatypes.

This section describes how you can use the ORACLE\_DATAPUMP access driver to unload and reload data for some of the unsupported datatypes, specifically:

- BFILE
- LONG and LONG RAW
- Final object types
- Tables of final object types

## Unloading and Loading BFILE Datatypes

The BFILE datatype has two pieces of information stored in it: the directory object for the file and the name of the file within that directory object.

You can unload BFILE columns using the ORACLE\_DATAPUMP access driver by storing the directory object name and the filename in two columns in the external table. The procedure DBMS\_LOB.FILEGETNAME will return both parts of the name. However, because this is a procedure, it cannot be used in a SELECT statement. Instead, two functions are needed. The first will return the name of the directory object, and the second will return the name of the file.

The steps in the following extended example demonstrate the unloading and loading of BFILE datatypes.

1. Create a function to extract the directory object for a BFILE column. Note that if the column is NULL, then NULL is returned.

```
SQL> CREATE FUNCTION get_dir_name (bf BFILE) RETURN VARCHAR2 IS
 2   DIR_ALIAS VARCHAR2(255);
 3   FILE_NAME VARCHAR2(255);
```



```

4 BEGIN
5   IF bf is NULL
6   THEN
7     RETURN NULL;
8   ELSE
9     DBMS_LOB.FILEGETNAME (bf, dir_alias, file_name);
10    RETURN dir_alias;
11  END IF;
12 END;
13 /

```

Function created.

## 2. Create a function to extract the filename for a BFILE column.

```

SQL> CREATE FUNCTION get_file_name (bf BFILE) RETURN VARCHAR2 is
2   dir_alias VARCHAR2(255);
3   file_name VARCHAR2(255);
4 BEGIN
5   IF bf is NULL
6   THEN
7     RETURN NULL;
8   ELSE
9     DBMS_LOB.FILEGETNAME (bf, dir_alias, file_name);
10    RETURN file_name;
11  END IF;
12 END;
13 /

```

Function created.

## 3. You can then add a row with a NULL value for the BFILE column, as follows:

```

SQL> INSERT INTO PRINT_MEDIA (product_id, ad_id, ad_graphic)
2   VALUES (3515, 12001, NULL);

```

1 row created.

You can use the newly created functions to populate an external table. Note that the functions should set columns `ad_graphic_dir` and `ad_graphic_file` to NULL if the BFILE column is NULL.

## 4. Create an external table to contain the data from the `print_media` table. Use the `get_dir_name` and `get_file_name` functions to get the components of the BFILE column.

```

SQL> CREATE TABLE print_media_xt
2   ORGANIZATION EXTERNAL
3   (
4     TYPE oracle_datapump
5     DEFAULT DIRECTORY def_dir1
6     LOCATION ('pm_xt.dmp')
7   ) AS
8   SELECT product_id, ad_id,
9          get_dir_name (ad_graphic) ad_graphic_dir,
10         get_file_name(ad_graphic) ad_graphic_file
11   FROM print_media;

```

Table created.

5. Create a function to load a BFILE column from the data that is in the external table. This function will return NULL if the `ad_graphic_dir` column in the external table is NULL.

```
SQL> CREATE FUNCTION get_bfile (dir VARCHAR2, file VARCHAR2) RETURN
BFILE IS
  2  bf BFILE;
  3  BEGIN
  4    IF dir IS NULL
  5    THEN
  6      RETURN NULL;
  7    ELSE
  8      RETURN BFILENAME(dir, file);
  9    END IF;
 10  END;
 11  /
```

Function created.

6. The `get_bfile` function can be used to populate a new table containing a BFILE column.

```
SQL> CREATE TABLE print_media_int AS
  2  SELECT product_id, ad_id,
  3         get_bfile (ad_graphic_dir, ad_graphic_file) ad_graphic
  4  FROM print_media_xt;
```

Table created.

7. The data in the columns of the newly loaded table should match the data in the columns of the `print_media` table.

```
SQL> SELECT product_id, ad_id,
  2         get_dir_name(ad_graphic) ,
  3         get_file_name(ad_graphic)
  4  FROM print_media_int
  5  MINUS
  6  SELECT product_id, ad_id,
  7         get_dir_name(ad_graphic) ,
  8         get_file_name(ad_graphic)
  9  FROM print_media;
```

no rows selected

## Unloading LONG and LONG RAW Datatypes

The ORACLE\_DATAPUMP access driver can be used to unload LONG and LONG RAW columns, but that data can only be loaded back into LOB fields. The steps in the following extended example demonstrate the unloading of LONG and LONG RAW datatypes.

1. If a table to be unloaded contains a LONG or LONG RAW column, then define the corresponding columns in the external table as CLOB for LONG columns or BLOB for LONG RAW columns.

```
SQL> CREATE TABLE long_tab
  2  (
  3    key                SMALLINT,
  4    description       LONG
  5  );
```

Table created.

```
SQL> INSERT INTO long_tab VALUES (1, 'Description Text');
```

1 row created.

- Now, an external table can be created that contains a CLOB column to contain the data from the LONG column. Note that when loading the external table, the TO\_LOB operator is used to convert the LONG column into a CLOB.

```
SQL> CREATE TABLE long_tab_xt
 2 ORGANIZATION EXTERNAL
 3 (
 4   TYPE ORACLE_DATAPUMP
 5   DEFAULT DIRECTORY def_dir1
 6   LOCATION ('long_tab_xt.dmp')
 7 )
 8 AS SELECT key, TO_LOB(description) description FROM long_tab;
```

Table created.

- The data in the external table can be used to create another table exactly like the one that was unloaded except the new table will contain a LOB column instead of a LONG column.

```
SQL> CREATE TABLE lob_tab
 2 AS SELECT * FROM long_tab_xt;
```

Table created.

- Verify that the table was created correctly.

```
SQL> SELECT * FROM lob_tab;
```

```

      KEY  DESCRIPTION
-----
1  Description Text
```

## Unloading and Loading Columns Containing Final Object Types

Final column objects are populated into an external table by moving each attribute in the object type into a column in the external table. In addition, the external table needs a new column to track whether the column object is atomically null. The following steps demonstrate the unloading and loading of columns containing final object types.

- In the following example, the warehouse column in the external table is used to track whether the warehouse column in the source table is atomically NULL.

```
SQL> CREATE TABLE inventories_obj_xt
 2 ORGANIZATION EXTERNAL
 3 (
 4   TYPE ORACLE_DATAPUMP
 5   DEFAULT DIRECTORY def_dir1
 6   LOCATION ('inv_obj_xt.dmp')
 7 )
 8 AS
 9 SELECT oi.product_id,
10        DECODE (oi.warehouse, NULL, 0, 1) warehouse,
11        oi.warehouse.location_id location_id,
12        oi.warehouse.warehouse_id warehouse_id,
13        oi.warehouse.warehouse_name warehouse_name,
```

```

14         oi.quantity_on_hand
15 FROM oc_inventories oi;

```

Table created.

The columns in the external table containing the attributes of the object type can now be used as arguments to the type constructor function when loading a column of that type. Note that the `warehouse` column in the external table is used to determine whether to call the constructor function for the object or set the column to `NULL`.

2. Load a new internal table that looks exactly like the `oc_inventories` view. (The use of the `WHERE 1=0` clause creates a new table that looks exactly like the old table but does not copy any data from the old table into the new table.)

```

SQL> CREATE TABLE oc_inventories_2 AS SELECT * FROM oc_inventories
WHERE 1 = 0;

```

Table created.

```

SQL> INSERT INTO oc_inventories_2
2  SELECT product_id,
3         DECODE (warehouse, 0, NULL,
4                 warehouse_typ(warehouse_id, warehouse_name,
5                               location_id)), quantity_on_hand
6  FROM inventories_obj_xt;

```

1112 rows created.

## Tables of Final Object Types

Object tables have an object identifier that uniquely identifies every row in the table. The following situations can occur:

- If there is no need to unload and reload the object identifier, then the external table only needs to contain fields for the attributes of the type for the object table.
- If the object identifier (OID) needs to be unloaded and reloaded and the OID for the table is one or more fields in the table, (also known as primary-key-based OIDs), then the external table has one column for every attribute of the type for the table.
- If the OID needs to be unloaded and the OID for the table is system-generated, then the procedure is more complicated. In addition to the attributes of the type, another column needs to be created to hold the system-generated OID.

The steps in the following example demonstrate this last situation.

1. Create a table of a type with system-generated OIDs:

```

SQL> CREATE TYPE person AS OBJECT (name varchar2(20)) NOT FINAL
2 /

```

Type created.

```

SQL> CREATE TABLE people OF person;

```

Table created.

```

SQL> INSERT INTO people VALUES ('Euclid');

```

1 row created.

2. Create an external table in which the column `OID` is used to hold the column containing the system-generated `OID`.

```
SQL> CREATE TABLE people_xt
  2 ORGANIZATION EXTERNAL
  3 (
  4   TYPE ORACLE_DATAPUMP
  5   DEFAULT DIRECTORY def_dir1
  6   LOCATION ('people.dmp')
  7 )
  8 AS SELECT SYS_NC_OID$ oid, name FROM people;
```

Table created.

3. Create another table of the same type with system-generated `OID`s. Then, execute an `INSERT` statement to load the new table with data unloaded from the old table.

```
SQL> CREATE TABLE people2 OF person;
```

Table created.

```
SQL>
SQL> INSERT INTO people2 (SYS_NC_OID$, SYS_NC_ROWINFO$)
  2 SELECT oid, person(name) FROM people_xt;
```

1 row created.

```
SQL>
SQL> SELECT SYS_NC_OID$, name FROM people
  2 MINUS
  3 SELECT SYS_NC_OID$, name FROM people2;
```

no rows selected

## Reserved Words for the ORACLE\_DATAPUMP Access Driver

When identifiers (for example, column or table names) are specified in the external table access parameters, certain values are considered to be reserved words by the access parameter parser. If a reserved word is used as an identifier, it must be enclosed in double quotation marks. The following are the reserved words for the `ORACLE_DATAPUMP` access driver:

- `BADFILE`
- `COMPATIBLE`
- `COMPRESSION`
- `DATAPUMP`
- `DEBUG`
- `ENCRYPTION`
- `INTERNAL`
- `JOB`
- `LATEST`
- `LOGFILE`
- `NOBADFILE`

- NOLOGFILE
- PARALLEL
- TABLE
- VERSION
- WORKERID

# Part IV

---

## Other Utilities

This part contains the following chapters:

[Chapter 15, "ADRCI: ADR Command Interpreter"](#)

This chapter describes the Automatic Diagnostic Repository Command Interpreter (ADRCI), a command-line tool used to manage Oracle Database diagnostic data.

[Chapter 16, "DBVERIFY: Offline Database Verification Utility"](#)

This chapter describes how to use the offline database verification utility, DBVERIFY.

[Chapter 17, "DBNEWID Utility"](#)

This chapter describes how to use the DBNEWID utility to change the name or ID, or both, for a database.

[Chapter 18, "Using LogMiner to Analyze Redo Log Files"](#)

This chapter describes the Oracle LogMiner utility, which enables you to query redo logs through a SQL interface.

[Chapter 19, "Using the Metadata API"](#)

This chapter describes the Metadata API, which you can use to extract and manipulate complete representations of the metadata for database objects.

[Chapter 20, "Original Export and Import"](#)

This chapter describes the original Export and Import utilities.

[Chapter 21, "Enterprise Manager Configuration Assistant \(EMCA\)"](#)

This chapter describes how to use the Enterprise Manager Configuration Assistant (EMCA) command line interface to configure Database Control.





---

---

## ADRCI: ADR Command Interpreter

The ADR Command Interpreter (ADRCI) is a command-line tool that you use to manage Oracle Database diagnostic data.

This chapter contains the following sections:

- [About the ADR Command Interpreter \(ADRCI\)](#)
- [Definitions](#)
- [Starting ADRCI and Getting Help](#)
- [Setting the ADRCI Homepath Before Using ADRCI Commands](#)
- [Viewing the Alert Log](#)
- [Finding Trace Files](#)
- [Viewing Incidents](#)
- [Packaging Incidents](#)
- [ADRCI Command Reference](#)
- [Troubleshooting ADRCI](#)

**See Also:** *Oracle Database Administrator's Guide* for more information on managing diagnostic data.

### About the ADR Command Interpreter (ADRCI)

ADRCI is a command-line tool that is part of the fault diagnosability infrastructure introduced in Oracle Database Release 11g. ADRCI enables you to:

- View diagnostic data within the Automatic Diagnostic Repository (ADR).
- View Health Monitor reports.
- Package incident and problem information into a zip file for transmission to Oracle Support.

Diagnostic data includes incident and problem descriptions, trace files, dumps, health monitor reports, alert log entries, and more.

ADRCI has a rich command set, and can be used in interactive mode or within scripts. In addition, ADRCI can execute scripts of ADRCI commands in the same way that SQL\*Plus executes scripts of SQL and PL/SQL commands.

ADR data is secured by operating system permissions on the ADR directories, hence there is no need to log in to ADRCI.

---

---

**Note:** The easiest and recommended way to manage diagnostic data is with Oracle Enterprise Manager Support Workbench. ADRCI provides a command-line alternative to most of the functionality of Support Workbench, and adds capabilities such as listing and querying trace files.

See *Oracle Database Administrator's Guide* for complete information about the Support Workbench.

---

---

## Definitions

The following are definitions of terms used in the context of ADRCI and the Oracle Database fault diagnosability infrastructure:

### Automatic Diagnostic Repository (ADR)

The ADR is a file-based repository for database diagnostic data such as traces, dumps, the alert log, health monitor reports, and more. It has a unified directory structure across multiple instances and multiple products. Beginning with Release 11g, the database, Automatic Storage Management (ASM), and other Oracle products or components store all diagnostic data in the ADR. Each instance of each product stores diagnostic data underneath its own ADR home directory (see "[ADR Home](#)"). For example, in an Oracle Real Application Clusters environment with shared storage and ASM, each database instance and each ASM instance has a home directory within the ADR. The ADR's unified directory structure enables customers and Oracle Support to correlate and analyze diagnostic data across multiple instances and multiple products.

### Problem

A problem is a critical error in the database. Critical errors include internal errors such as ORA-00600 and other severe errors such as ORA-07445 (operating system exception) or ORA-04031 (out of memory in the shared pool). Problems are tracked in the ADR. Each problem has a problem key and a unique problem ID. (See "[Problem Key](#)".)

### Incident

An incident is a single occurrence of a problem. When a problem occurs multiple times, an incident is created for each occurrence. Incidents are tracked in the ADR. Each incident is identified by a numeric incident ID, which is unique within the ADR. When an incident occurs, the database makes an entry in the alert log, sends an *incident alert* to Oracle Enterprise Manager, gathers diagnostic data about the incident in the form of dump files (incident dumps), tags the incident dumps with the incident ID, and stores the incident dumps in an ADR subdirectory created for that incident.

Diagnosis and resolution of a critical error usually starts with an incident alert. You can obtain a list of all incidents in the ADR with an ADRCI command. Each incident is mapped to a single problem only.

Incidents are *flood-controlled* so that a single problem does not generate too many incidents and incident dumps. See *Oracle Database Administrator's Guide* for more information on incident flood control.

### Problem Key

Every problem has a problem key, which is a text string that includes an error code (such as ORA 600) and in some cases, one or more error parameters. Two incidents are considered to have the same root cause if their problem keys match.

## Incident Package

An incident package (package) is a collection of data about incidents for one or more problems. Before sending incident data to Oracle Support it must be collected into a package using the Incident Packaging Service (IPS). After a package is created, you can add external files to the package, remove selected files from the package, or *scrub* (edit) selected files in the package to remove sensitive data.

A package is a logical construct only, until you create a physical file from the package contents. That is, an incident package starts out as a collection of metadata in the Automatic Diagnostic Repository (ADR). As you add and remove package contents, only the metadata is modified. When you are ready to upload the data to Oracle Support, you create a physical package using ADRCI, which saves the data into a zip file.

## Finalizing

Before ADRCI can generate a physical package from a logical package, the package must be finalized. This means that other components are called to add any correlated diagnostic data files to the incidents already in this package. Finalizing also adds recent trace files, alert log entries, Health Monitor reports, SQL test cases, and configuration information. This step is run automatically when a physical package is generated, and can also be run manually using the ADRCI utility. After manually finalizing a package, you can review the files that were added and then remove or edit any that contain sensitive information.

**See Also:** *Oracle Database Administrator's Guide* for more information about correlated diagnostic data

## ADR Home

An ADR home is the root directory for all diagnostic data—traces, dumps, alert log, and so on—for a particular instance of a particular Oracle product or component. For example, in a Real Application Clusters environment with ASM, each database instance and each ASM instance has an ADR home. All ADR homes share the same hierarchical directory structure. Some of the standard subdirectories in each ADR home include alert (for the alert log), trace (for trace files), and incident (for incident information). All ADR homes are located within the ADR base directory. (See "[ADR Base](#)".)

Some ADRCI commands can work with multiple ADR homes simultaneously. The current ADRCI *homepath* determines the ADR homes that are searched for diagnostic data when an ADRCI command is issued. See "[Homepath](#)" on page 15-4 for more information.

## ADR Base

To permit correlation of diagnostic data across multiple ADR homes, ADR homes are grouped together under the same root directory called the ADR base. For example, in an Oracle Real Application Clusters (RAC) environment, the ADR base could be on a shared disk, and the ADR home for each Oracle RAC instance could be located under this ADR base.

The location of the ADR base for a database instance is set by the `DIAGNOSTIC_DEST` initialization parameter. If this parameter is omitted or is null, the database sets it to a default value. See *Oracle Database Administrator's Guide* for details.

When multiple database instances share an Oracle home, whether they are multiple single instances or the instances of an Oracle Real Application Clusters database, and

when one or more of these instances set ADR base in different locations, the last instance to start up determines the default ADR base for ADRCI.

### Homepath

All ADRCI commands operate on diagnostic data in the "current" ADR homes. More than one ADR home can be current at any one time. Some ADRCI commands (such as `SHOW INCIDENT`) search for and display diagnostic data from all current ADR homes, while other commands require that only one ADR home be current, and display an error message if more than one is current.

The ADRCI homepath determines the ADR homes that are current. It does so by pointing to a directory within the ADR base hierarchy. If it points to a single ADR home directory, that ADR home is the only current ADR home. If the homepath points to a directory that is above the ADR home directory level in the hierarchy, all ADR homes that are below the directory that is pointed to become current.

The homepath is null by default when ADRCI starts. This means that all ADR homes under ADR base are current.

The `SHOW HOME` and `SHOW HOMEPATH` commands display a list of the ADR homes that are current, and the `SET HOMEPATH` command sets the homepath.

#### See Also:

- *Oracle Database Administrator's Guide* for more information on the structure and location of the ADR and its directories.
- ["Setting the ADRCI Homepath Before Using ADRCI Commands"](#) on page 15-6
- ["SET HOMEPATH"](#) on page 15-37
- ["SHOW HOMES"](#) on page 15-42

## Starting ADRCI and Getting Help

You can use ADRCI in interactive mode or batch mode. Details are provided in the following sections:

- [Using ADRCI in Interactive Mode](#)
- [Getting Help](#)
- [Using ADRCI in Batch Mode](#)

### Using ADRCI in Interactive Mode

Interactive mode prompts you to enter individual commands one at a time. Each entered command is followed by its output.

#### To use ADRCI in interactive mode:

1. Ensure that the `ORACLE_HOME` and `PATH` environment variables are set properly.

On the Windows platform, these environment variables are set in the Windows registry automatically upon installation. On other platforms, you must set and check environment variables with operating system commands.

The `PATH` environment variable must include `ORACLE_HOME/bin`.

2. Enter the following command at the operating system command prompt:

```
ADRCI
```

The utility starts and displays the following prompt:

```
adrci>
```

3. Enter ADRCI commands, following each with the Enter key.
4. Enter one of the following commands to exit ADRCI:

```
EXIT
QUIT
```

## Getting Help

With the ADRCI help system, you can:

- View a list of ADR commands.
- View help for an individual command.
- View a list of ADRCI command line options.

### To view a list of ADRCI commands:

1. Start ADRCI in interactive mode.  
See "[Using ADRCI in Interactive Mode](#)" on page 15-4 for instructions.
2. At the ADRCI prompt, enter the following command:

```
HELP
```

### To get help for a specific ADRCI command:

1. Start ADRCI in interactive mode.  
See "[Using ADRCI in Interactive Mode](#)" on page 15-4 for instructions.
2. At the ADRCI prompt, enter the following command:

```
HELP command
```

For example, to get help on the SHOW TRACEFILE command, enter the following:

```
HELP SHOW TRACEFILE
```

### To view a list of command line options:

- Enter the following command at the operating system command prompt:

```
ADRCI -HELP
```

The utility displays output similar to the following:

Syntax:

```
adrci [-help] [script=script_filename] [exec="command [;command;..."]]
```

Options	Description	(Default)
script	script file name	(None)
help	help on the command options	(None)
exec	exec a set of commands	(None)

## Using ADRCI in Batch Mode

Batch mode enables you to run a series of ADRCI commands at once, without being prompted for input. To use batch mode, you add a command line parameter to the ADRCI command when you start ADRCI. Batch mode enables you to include ADRCI commands in shell scripts or Windows batch files. Like interactive mode, the `ORACLE_HOME` and `PATH` environment variables must be set before starting ADRCI.

The following command line parameters are available for batch operation:

**Table 15–1 ADRCI Command Line Parameters for Batch Operation**

Parameter	Description
EXEC	Enables you to submit one or more ADRCI commands on the operating system command line that starts ADRCI. Commands are separated by semicolons (;).
SCRIPT	Enables you to run a script containing ADRCI commands.

### To submit ADRCI commands on the command line:

- Enter the following command at the operating system command prompt:

```
ADRCI EXEC="COMMAND[; COMMAND]..."
```

For example, to run the `SHOW HOMES` command in batch mode, enter the following command at the operating system command prompt:

```
ADRCI EXEC="SHOW HOMES"
```

To run the `SHOW HOMES` command followed by the `SHOW INCIDENT` command, enter the following:

```
ADRCI EXEC="SHOW HOMES; SHOW INCIDENT"
```

### To run ADRCI scripts:

- Enter the following command at the operating system command prompt:

```
ADRCI SCRIPT=SCRIPT_FILE_NAME
```

For example, to run a script file named `adrci_script.txt`, enter the following command at the operating system command prompt:

```
ADRCI SCRIPT=adrci_script.txt
```

A script file contains a series of commands separated by semicolons (;) or line breaks, such as:

```
SET HOMEPATH diag/rdbms/orcl/orcl; SHOW ALERT -term
```

## Setting the ADRCI Homepath Before Using ADRCI Commands

When diagnosing a problem, you may want to work with diagnostic data from multiple database instances or components, or you may want to focus on diagnostic data from one instance or component. To work with diagnostic data from multiple instances or components, you must ensure that the ADR homes for all of these instances or components are "current." To work with diagnostic data from only one instance or component, you must ensure that only the ADR home for that instance or component is current. You control the ADR homes that are current by setting the ADRCI homepath.

If multiple homes are current, this means that the homepath points to a directory in the ADR directory structure that contains multiple ADR home directories underneath it. To focus on a single ADR home, you must set the homepath to point lower in the directory hierarchy, to a single ADR home directory.

For example, if the Oracle Real Application Clusters (RAC) database with database name `orclbi` has two instances, where the instances have SIDs `orclbi1` and `orclbi2`, the following two ADR homes exist:

```
/diag/rdbms/orclbi/orclbi1/
/diag/rdbms/orclbi/orclbi2/
```

Note that in all ADRCI commands and output, ADR home directory paths (ADR homes) are always expressed relative to ADR base. So if ADR base is currently `/u01/app/oracle`, the absolute paths of these two ADR homes are the following:

```
/u01/app/oracle/diag/rdbms/orclbi/orclbi1/
/u01/app/oracle/diag/rdbms/orclbi/orclbi2/
```

You use the `SET HOMEPATH` command to set one or more ADR homes to be current. If ADR base is `/u01/app/oracle` and you want to set the homepath to `/u01/app/oracle/diag/rdbms/orclbi/orclbi2/`, you use this command:

```
adrci> set homepath diag/rdbms/orclbi/orclbi2
```

When ADRCI starts, the homepath is null by default, which means that all ADR homes under ADR base are current. In the previously cited example, therefore, the ADR homes for both Oracle RAC instances would be current:

```
adrci> show homes
ADR Homes:
diag/rdbms/orclbi/orclbi1
diag/rdbms/orclbi/orclbi2
```

In this case, any ADRCI command that you run, assuming that the command supports more than one current ADR home, works with diagnostic data from both ADR homes. If you were to set the homepath to `/diag/rdbms/orclbi/orclbi2`, only the ADR home for the instance with SID `orclbi2` would be current:

```
adrci> set homepath diag/rdbms/orclbi/orclbi2
adrci> show homes
ADR Homes:
diag/rdbms/orclbi/orclbi2
```

In this case, any ADRCI command that you run would work with diagnostic data from this single ADR home only.

#### See Also:

- *Oracle Database Administrator's Guide* for more information on the structure of ADR homes
- ["ADR Base"](#) on page 15-3
- ["ADR Home"](#) on page 15-3
- ["Homepath"](#) on page 15-4
- ["SET HOMEPATH"](#) on page 15-37
- ["SHOW HOMES"](#) on page 15-42

## Viewing the Alert Log

Beginning with Release 11g of Oracle Database, the alert log is written as both an XML-formatted file and as a text file. You can view either format of the file with any text editor, or you can run an ADRCI command to view the XML-formatted alert log with the XML tags stripped. By default, ADRCI displays the alert log in your default editor. You can use the `SET EDITOR` command to change your default editor.

### To view the alert log with ADRCI:

1. Start ADRCI in interactive mode.

See ["Starting ADRCI and Getting Help"](#) on page 15-4 for instructions.

2. (Optional) Use the `SET HOMEPATH` command to select (make current) a single ADR home.

You can use the `SHOW HOMES` command first to see a list of current ADR homes. See ["Homepath"](#) on page 15-4 and ["Setting the ADRCI Homepath Before Using ADRCI Commands"](#) on page 15-6 for more information.

3. At the ADRCI prompt, enter the following command:

```
SHOW ALERT
```

If more than one ADR home is current, you are prompted to select a single ADR home from a list. The alert log is displayed, with XML tags stripped, in your default editor.

4. Exit the editor to return to the ADRCI command prompt.

The following are variations on the `SHOW ALERT` command:

```
SHOW ALERT -TAIL
```

This displays the last portion of the alert log (the last 10 entries) in your terminal session.

```
SHOW ALERT -TAIL 50
```

This displays the last 50 entries in the alert log in your terminal session.

```
SHOW ALERT -TAIL -F
```

This displays the last 10 entries in the alert log, and then waits for more messages to arrive in the alert log. As each message arrives, it is appended to the display. This command enables you to perform "live monitoring" of the alert log. Press `CTRL-C` to stop waiting and return to the ADRCI prompt.

```
SPOOL /home/steve/MYALERT.LOG
SHOW ALERT -TERM
SPOOL OFF
```

This outputs the alert log, without XML tags, to the file `/home/steve/MYALERT.LOG`.

```
SHOW ALERT -P "MESSAGE_TEXT LIKE '%ORA-600%'"
```

This displays only alert log messages that contain the string 'ORA-600'. The output looks something like this:

```
ADR Home = /u01/app/oracle/product/11.1.0/db_1/log/diag/rdbms/orclbi/orclbi:
*****
```



01-SEP-06 09.17.44.849000000 PM -07:00  
AlertMsg1: ORA-600 dbgris01, addr=0xa9876541

**See Also:**

- ["SHOW ALERT"](#) on page 15-37
- ["SET EDITOR"](#) on page 15-36
- *Oracle Database Administrator's Guide* for instructions for viewing the alert log with Oracle Enterprise Manager or with a text editor

## Finding Trace Files

ADRCI enables you to view the names of trace files that are currently in the automatic diagnostic repository (ADR). You can view the names of all trace files in the ADR, or you can apply filters to view a subset of names. For example, ADRCI has commands that enable you to:

- Obtain a list of trace files whose file name matches a search string.
- Obtain a list of trace files in a particular directory.
- Obtain a list of trace files that pertain to a particular incident.

You can combine filtering functions by using the proper command line parameters.

The `SHOW TRACEFILE` command displays a list of the trace files that are present in the trace directory and in all incident directories under the current ADR home. When multiple ADR homes are current, the traces file lists from all ADR homes are output one after another.

The following statement lists the names of all trace files in the current ADR homes, without any filtering:

```
SHOW TRACEFILE
```

The following statement lists the name of every trace file that has the string 'mmon' in its file name. The percent sign (%) is used as a wildcard character, and the search string is case sensitive.

```
SHOW TRACEFILE %mmon%
```

This statement lists the name of every trace file that is located in the `/home/steve/temp` directory and that has the string 'mmon' in its file name:

```
SHOW TRACEFILE %mmon% -PATH /home/steve/temp
```

This statement lists the names of trace files in reverse order of last modified time. That is, the most recently modified trace files are listed first.

```
SHOW TRACEFILE -RT
```

This statement lists the names of all trace files related to incident number 1681:

```
SHOW TRACEFILE -I 1681
```

**See Also:**

- ["SHOW TRACEFILE"](#) on page 15-48
- *Oracle Database Administrator's Guide* for information about the directory structure of the ADR

## Viewing Incidents

The ADRCI `SHOW INCIDENT` command displays information about open incidents. For each incident, the incident ID, problem key, and incident creation time are shown. If the ADRCI homepath is set so that there are multiple current ADR homes, the report includes incidents from all of them.

### To view a report of all open incidents:

1. Start ADRCI in interactive mode, and ensure that the homepath points to the correct directory within the ADR base directory hierarchy.

See ["Starting ADRCI and Getting Help"](#) on page 15-4 and ["Homepath"](#) on page 15-4 for details.

2. At the ADRCI prompt, enter the following command:

```
SHOW INCIDENT
```

ADRCI generates output similar to the following:

```
ADR Home = /u01/app/oracle/product/11.1.0/db_1/log/diag/rdbms/orclbi/orclbi:
*****
INCIDENT_ID          PROBLEM_KEY          CREATE_TIME
-----
3808                 ORA 603              2007-06-18 21:35:49.322161 -07:00
3807                 ORA 600 [4137]      2007-06-18 21:35:47.862114 -07:00
3805                 ORA 600 [4136]      2007-06-18 21:35:25.012579 -07:00
3804                 ORA 1578             2007-06-18 21:35:08.483156 -07:00
4 rows fetched
```

The following are variations on the `SHOW INCIDENT` command:

```
SHOW INCIDENT -MODE BRIEF
SHOW INCIDENT -MODE DETAIL
```

These commands produce more detailed versions of the incident report.

```
SHOW INCIDENT -MODE DETAIL -P "INCIDENT_ID=1681"
```

This shows a detailed incident report for incident 1681 only.

**See Also:** ["ADRCI Command Reference"](#) on page 15-14

## Packaging Incidents

You can use ADRCI commands to *package* one or more incidents for transmission to Oracle Support for analysis. Background information and instructions are presented in the following topics:

- [About Packaging Incidents](#)
- [Creating Incident Packages](#)

### About Packaging Incidents

Packaging incidents is a three-step process:

#### Step 1—Create a logical incident package.

The incident package (package) is denoted as logical because it exists only as metadata in the automatic diagnostic repository (ADR). It has no content until you generate a

physical package from the logical package. The logical package is assigned a package number, and you refer to it by that number in subsequent commands.

You can create the logical package as an empty package, or as a package based on an incident number, a problem number, a problem key, or a time interval. If you create the package as an empty package, you can add diagnostic information to it in step 2.

Creating a package based on an incident means including diagnostic data—dumps, health monitor reports, and so on—for that incident. Creating a package based on a problem number or problem key means including in the package diagnostic data for incidents that reference that problem number or problem key. Creating a package based on a time interval means including diagnostic data on incidents that occurred in the time interval.

### Step 2—Add diagnostic information to the incident package

If you created a logical package based on an incident number, a problem number, a problem key, or a time interval, this step is optional. You can add additional incidents to the package or you can add any file within the ADR to the package. If you created an empty package, you must use ADRCI commands to add incidents or files to the package.

### Step 3—Generate the physical incident package

When you submit the command to generate the physical package, ADRCI gathers all required diagnostic files and adds them to a zip file in a designated directory. You can generate a complete zip file or an incremental zip file. An incremental file contains all the diagnostic files that were added or changed since the last zip file was created for the same logical package. You can create incremental files only after you create a complete file, and you can create as many incremental files as you want. Each zip file is assigned a sequence number so that the files can be analyzed in the correct order.

Zip files are named according to the following scheme:

```
packageName_mode_sequence.zip
```

where:

- *packageName* consists of a portion of the problem key followed by a timestamp
- *mode* is either 'COM' or 'INC', for complete or incremental
- *sequence* is an integer

For example, if you generate a complete zip file for a logical package that was created on September 6, 2006 at 4:53 p.m., and then generate an incremental zip file for the same logical package, you would create files with names similar to the following:

```
ORA603_20060906165316_COM_1.zip
ORA603_20060906165316_INC_2.zip
```

## Creating Incident Packages

The following sections present the ADRCI commands that you use to create a logical incident package (package) and generate a physical package:

- [Creating a Logical Incident Package](#)
- [Adding Diagnostic Information to a Logical Incident Package](#)
- [Generating a Physical Incident Package](#)

**See Also:** ["About Packaging Incidents"](#) on page 15-10

## Creating a Logical Incident Package

You use variants of the `IPS CREATE PACKAGE` command to create a logical package (package).

### To create a package based on an incident:

1. Start ADRCI in interactive mode, and ensure that the homepath points to the correct directory within the ADR base directory hierarchy.

See "[Starting ADRCI and Getting Help](#)" on page 15-4 and "[Homepath](#)" on page 15-4 for details.

2. At the ADRCI prompt, enter the following command:

```
IPS CREATE PACKAGE INCIDENT incident_number
```

For example, the following command creates a package based on incident 3:

```
IPS CREATE PACKAGE INCIDENT 3
```

ADRCI generates output similar to the following:

```
Created package 10 based on incident id 3, correlation level typical
```

The package number assigned to this logical package is 10.

The following are variations on the `IPS CREATE PACKAGE` command:

```
IPS CREATE PACKAGE
```

This creates an empty package. You must use the `IPS ADD INCIDENT` or `IPS ADD FILE` commands to add diagnostic data to the package before generating it.

```
IPS CREATE PACKAGE PROBLEM problem_ID
```

This creates a package and includes diagnostic information for incidents that reference the specified problem ID. (Problem IDs are integers.) You can obtain the problem ID for an incident from the report displayed by the `SHOW INCIDENT -MODE BRIEF` command. Because there can be many incidents with the same problem ID, ADRCI adds to the package the diagnostic information for the first three incidents ("early incidents") that occurred and last three incidents ("late incidents") that occurred with this problem ID, excluding any incidents that are older than 90 days.

---

---

**Note:** The number of early and late incidents, and the 90-day age limit are defaults that can be changed. See "[IPS SET CONFIGURATION](#)" on page 15-28.

---

---

ADRCI may also add other incidents that correlate closely in time or in other criteria with the already added incidents.

```
IPS CREATE PACKAGE PROBLEMKEY "problem_key"
```

This creates a package and includes diagnostic information for incidents that reference the specified problem key. You can obtain problem keys from the report displayed by the `SHOW INCIDENT` command. Because there can be many incidents with the same problem key, ADRCI adds to the package only the diagnostic information for the first three early incidents and last three late incidents with this problem key, excluding incidents that are older than 90 days.

---



---

**Note:** The number of early and late incidents, and the 90-day age limit are defaults that can be changed. See "[IPS SET CONFIGURATION](#)" on page 15-28.

---



---

ADRCI may also add other incidents that correlate closely in time or in other criteria with the already added incidents.

The problem key must be enclosed in single quotes (') or double quotes (") if it contains spaces or quotes.

```
IPS CREATE PACKAGE SECONDS sec
```

This creates a package and includes diagnostic information for all incidents that occurred from *sec* seconds ago until now. *sec* must be an integer.

```
IPS CREATE PACKAGE TIME 'start_time' TO 'end_time'
```

This creates a package and includes diagnostic information for all incidents that occurred within the specified time range. *start\_time* and *end\_time* must be in the format 'YYYY-MM-DD HH24:MI:SS.FF TZR'. This is a valid format string for the NLS\_TIMESTAMP\_TZ\_FORMAT initialization parameter. The fraction (FF) portion of the time is optional, and the HH24:MI:SS delimiters can be colons or periods.

For example, the following command creates a package with incidents that occurred between July 24th and July 30th of 2007:

```
IPS CREATE PACKAGE TIME '2007-07-24 00:00:00 -07:00' to '2007-07-30 23.59.59 -07:00'
```

**See Also:** "[IPS CREATE PACKAGE](#)" on page 15-21

### Adding Diagnostic Information to a Logical Incident Package

You can add the following diagnostic information to an existing logical package (package):

- All diagnostic information for a particular incident
- A named file within the ADR

#### To add an incident to an existing package:

1. Start ADRCI in interactive mode, and ensure that the homedir points to the correct directory within the ADR base directory hierarchy.

See "[Starting ADRCI and Getting Help](#)" on page 15-4 and "[Homepath](#)" on page 15-4 for details.

2. At the ADRCI prompt, enter the following command:

```
IPS ADD INCIDENT incident_number PACKAGE package_number
```

#### To add a file in the ADR to an existing package:

- At the ADRCI prompt, enter the following command:

```
IPS ADD FILE filespec PACKAGE package_number
```

*filespec* must be a fully qualified file name (with path). Only files that are within the ADR base directory hierarchy may be added.

**See Also:** ["ADRCI Command Reference"](#) on page 15-14

### Generating a Physical Incident Package

When you generate a package, you create a physical package (a zip file) for an existing logical package.

#### To generate a physical incident package:

1. Start ADRCI in interactive mode, and ensure that the homopath points to the correct directory within the ADR base directory hierarchy.

See ["Starting ADRCI and Getting Help"](#) on page 15-4 and ["Homopath"](#) on page 15-4 for details.

2. At the ADRCI prompt, enter the following command:

```
IPS GENERATE PACKAGE package_number IN path
```

This generates a complete physical package (zip file) in the designated path. For example, the following command creates a complete physical package in the directory `/home/steve/diagnostics` from logical package number 2:

```
IPS GENERATE PACKAGE 2 IN /home/steve/diagnostics
```

You can also generate an incremental package containing only the incidents that have occurred since the last package generation.

#### To generate an incremental physical incident package:

- At the ADRCI prompt, enter the following command:

```
IPS GENERATE PACKAGE package_number IN path INCREMENTAL
```

#### See Also:

- ["ADRCI Command Reference"](#) on page 15-14
- ["About Packaging Incidents"](#) on page 15-10

## ADRCI Command Reference

There are four command types in ADRCI:

- Commands that work with one or more current ADR homes
- Commands that work with only one current ADR home, and that issue an error message if there is more than one current ADR home
- Commands that prompt you to select an ADR home when there are multiple current ADR homes
- Commands that do not need a current ADR home

All ADRCI commands support the case where there is a single current ADR home.

[Table 15–2](#) lists the set of ADRCI commands.

**Table 15–2 List of ADRCI commands**

Command	Description
<a href="#">CREATE REPORT</a>	Creates a report for the specified report type and ID.
<a href="#">ECHO</a>	Echoes the input string.
<a href="#">EXIT</a>	Exits the current ADRCI session.

**Table 15–2 (Cont.) List of ADRCI commands**

Command	Description
HOST	Executes operating system commands from ADRCI.
IPS	Invokes the IPS utility. See <a href="#">Table 15–3</a> for the IPS commands available within ADRCI.
QUIT	Exits the current ADRCI session.
RUN	Runs an ADRCI script.
SET BASE	Sets the ADR base for the current ADRCI session.
SET BROWSER	Reserved for future use.
SET CONTROL	Set purging policies for ADR contents.
SET ECHO	Toggles command output.
SET EDITOR	Sets the default editor for displaying trace and alert log contents.
SET HOMEPATH	Makes current one or more ADR homes.
SET TERMOUT	Toggles terminal output.
SHOW ALERT	Shows alert log messages.
SHOW BASE	Shows the current ADR base.
SHOW CONTROL	Shows ADR information, including the current purging policy.
SHOW HM_RUN	Shows Health Monitor run information.
SHOW HOMEPATH	Shows the current homedir.
SHOW HOMES	Lists the current ADR homes.
SHOW INCDIR	Lists the trace files created for the specified incidents.
SHOW INCIDENT	Outputs a list of incidents.
SHOW PROBLEM	Outputs a list of problems.
SHOW REPORT	Shows a report for the specified report type and ID.
SHOW TRACEFILE	Lists qualified trace filenames.
SPOOL	Directs output to a file.

---



---

**Note:** Unless otherwise specified, the commands listed below work with multiple current ADR homes.

---



---

## CREATE REPORT

### Purpose

Creates a report for the specified report type and run ID and stores the report in the ADR. Currently, only the `hm_run` (Health Monitor) report type is supported.

---



---

**Note:** Results of Health Monitor runs are stored in the ADR in an internal format. To view these results, you must create a Health Monitor report from them and then view the report. You need create the report only once. You can then view it multiple times.

---



---

**Syntax and Description**

```
create report report_type run_name
```

*report\_type* must be `hm_run`. *run\_name* is a Health Monitor run name. Obtain run names with the [SHOW HM\\_RUN](#) command.

If the report already exists it is overwritten. Use the [SHOW REPORT](#) command to view the report.

**Example**

This example creates a report for the Health Monitor run with run name `hm_run_1421`:

```
create report hm_run hm_run_1421
```

---

---

**Note:** CREATE REPORT does not work when multiple ADR homes are set. For information on setting a single ADR home, see "[Setting the ADRCI Homepath Before Using ADRCI Commands](#)" on page 15-6

---

---

## ECHO

**Purpose**

Prints the input string. You can use this command to print custom text from ADRCI scripts.

**Syntax and Description**

```
echo quoted_string
```

The string must be enclosed in single or double quotes.

This command does not require an ADR home to be set before you can use it.

**Example**

These examples print the string "Hello, world!":

```
echo "Hello, world!"
```

```
echo 'Hello, world!'
```

## EXIT

**Purpose**

Exits the ADRCI utility.

**Syntax and Description**

```
exit
```

EXIT is a synonym for the QUIT command.

This command does not require an ADR home to be set before you can use it.



## HOST

### Purpose

Execute operating system commands without leaving ADRCI.

### Syntax and Description

```
host ["host_command_string"]
```

Use `host` by itself to enter an operating system shell, which allows you to enter multiple operating system commands. Enter `EXIT` to leave the shell and return to ADRCI.

You can also specify the command on the same line (*host\_command\_string*) enclosed in double quotes.

This command does not require an ADR home to be set before you can use it.

### Examples

```
host
```

```
host "ls -l *.pl"
```

## IPS

### Purpose

Invokes the Incident Packaging Service (IPS) command set. The IPS command provides options for creating logical incident packages (packages), adding diagnostic data to packages, and generating physical packages for transmission to Oracle Support.

**See Also:** ["Packaging Incidents"](#) for more information on packaging.

The IPS command set contains the following commands:

**Table 15–3 IPS Command Set**

Command	Description
<a href="#">IPS ADD</a>	Adds an incident, problem, or problem key to a package.
<a href="#">IPS ADD FILE</a>	Adds a file to a package.
<a href="#">IPS ADD NEW INCIDENTS</a>	Finds and adds new incidents for the problems in the specified package.
<a href="#">IPS COPY IN FILE</a>	Copies files into the ADR from the external file system.
<a href="#">IPS COPY OUT FILE</a>	Copies files out of the ADR to the external file system.
<a href="#">IPS CREATE PACKAGE</a>	Creates a new (logical) package.
<a href="#">IPS DELETE PACKAGE</a>	Deletes a package and its contents from the ADR.
<a href="#">IPS FINALIZE</a>	Finalizes a package before uploading.
<a href="#">IPS GENERATE PACKAGE</a>	Generates a ZIP file of the specified package contents in the target directory.
<a href="#">IPS GET MANIFEST</a>	Retrieves and displays the manifest from a package ZIP file.
<a href="#">IPS GET METADATA</a>	Extracts metadata from a package ZIP file and displays it.

**Table 15–3 (Cont.) IPS Command Set**

Command	Description
<a href="#">IPS PACK</a>	Creates a physical package (ZIP file) directly from incidents, problems, or problem keys.
<a href="#">IPS REMOVE</a>	Removes incidents from an existing package.
<a href="#">IPS REMOVE FILE</a>	Remove a file from an existing package.
<a href="#">IPS SET CONFIGURATION</a>	Changes the value of an IPS configuration parameter.
<a href="#">IPS SHOW CONFIGURATION</a>	Displays the values of IPS configuration parameters.
<a href="#">IPS SHOW FILES</a>	Lists the files in a package.
<a href="#">IPS SHOW INCIDENTS</a>	Lists the incidents in a package.
<a href="#">IPS UNPACK FILE</a>	Unpackages a package ZIP file into a specified path.

---

**Note:** IPS commands do not work when multiple ADR homes are set. For information on setting a single ADR home, see "[Setting the ADRCI Homepath Before Using ADRCI Commands](#)" on page 15-6

---

### Using the <ADR\_HOME> and <ADR\_BASE> Variables in IPS Commands

The IPS command set provides shortcuts for referencing the current ADR home and ADR base directories. To access the current ADR home directory, use the <ADR\_HOME> variable as follows:

```
ips add file <ADR_HOME>/trace/orcl_ora_13579.trc package 12
```

Use the <ADR\_BASE> variable to access the ADR base directory as follows:

```
ips add file <ADR_BASE>/diag/rdbms/orcl/orcl/trace/orcl_ora_13579.trc package 12
```

## IPS ADD

### Purpose

Adds incidents to a package.

### Syntax and Description

```
ips add {incident inc_id | problem prob_id | problemkey pr_key |
        seconds secs | time start_time to end_time}
        package pkg_id
```

[Table 15–4](#) describes the arguments of IPS ADD.

**Table 15-4 Arguments of IPS ADD command**

Argument	Description
<code>incident <i>inc_id</i></code>	Adds an incident with ID <i>inc_id</i> to the package
<code>problem <i>prob_id</i></code>	Adds incidents with problem ID <i>prob_id</i> to the package. Adds only the first three early incidents and last three late incidents for the problem, excluding any older than 90 days. (Note: These limits are defaults and can be changed. See "IPS SET CONFIGURATION" on page 15-28.)
<code>problemkey <i>pr_key</i></code>	Adds incidents with problem key <i>pr_key</i> to the package. Adds only the first three early incidents and last three late incidents for the problem key, excluding any older than 90 days. (Note: These limits are defaults and can be changed.)
<code>seconds <i>secs</i></code>	Adds all incidents that have occurred within <i>secs</i> seconds of the present time
<code>time <i>start_time</i> to <i>end_time</i></code>	Adds all incidents between <i>start_time</i> and <i>end_time</i> to the package. Time format is 'YYYY-MM-YY HH24:MI:SS.FF TZR'. Fractional part (FF) is optional.
<code>package <i>pkg_id</i></code>	Specifies the package to which to add incidents.

**Example**

This example adds incident 22 to package 12:

```
ips add incident 22 package 12
```

This example adds the first three early incidents and the last three late incidents with problem ID 6 to package 2, excluding any incidents older than 90 days:

```
ips add problem 6 package 2
```

This example adds all incidents taking place during the last minute to package 5:

```
ips add seconds 60 package 5
```

This example adds all incidents taking place between 10:00 a.m. and 11:00 p.m. on May 1, 2007:

```
ips add time '2007-05-01 10:00:00.00 -07:00' to '2007-05-01 23:00:00.00 -07:00'
```

**IPS ADD FILE****Purpose**

Adds a file to an existing package.

**Syntax and Description**

```
ips add file file_name package pkg_id
```

*file\_name* is the full path name of the file. You can use the <ADR\_HOME> and <ADR\_BASE> variables if desired. The file must be under the same ADR base as the package.

*pkg\_id* is the package ID.

**Example**

This example adds a trace file to package 12:

```
ips add file <ADR_HOME>/trace/orcl_ora_13579.trc package 12
```

**See Also:** See "Using the <ADR\_HOME> and <ADR\_BASE> Variables in IPS Commands" on page 15-18 for information on the <ADR\_HOME> directory syntax

## IPS ADD NEW INCIDENTS

### Purpose

Find and add new incidents for all of the problems in the specified package.

### Syntax and Description

```
ips add new incidents package package_id
```

*package\_id* is the package to update. Only new incidents of the problems in the package are added.

### Example

This example adds up to three of the new late incidents for the problems in package 12:

```
ips add new incidents package 12
```

---

---

**Note:** The number of late incidents added is a default that can be changed. See "IPS SET CONFIGURATION" on page 15-28

---

---

## IPS COPY IN FILE

### Purpose

Copies a file into the ADR from the external file system.

To edit a file in a package, you must copy the file out to a designated directory, edit the file, and copy it back into the package. You may want to do this to delete sensitive data in the file before sending the package to Oracle Support.

### Syntax and Description

```
ips copy in file filename [to new_name] [overwrite] package pkgid [incident incid]
```

Copies an external file, *filename* (specified with full pathname) into the ADR, associating it with an existing package, *pkgid*, and optionally an incident, *incid*. Use the *to new\_name* option to give the copied file a new filename within the ADR. Use the *overwrite* option to overwrite a file that exists already.

### Example

This example copies a trace file from the file system into the ADR, associating it with package 2 and incident 4:

```
ips copy in file /home/nick/trace/orcl_ora_13579.trc to <ADR_HOME>/trace/orcl_ora_13579.trc package 2 incident 4
```

**See Also:**

- ["Using the <ADR\\_HOME> and <ADR\\_BASE> Variables in IPS Commands"](#) on page 15-18 for information on the <ADR\_HOME> variable
- ["IPS SHOW FILES"](#) on page 15-31 for information on listing files in a package

**IPS COPY OUT FILE****Purpose**

Copies a file from the ADR to the external file system.

To edit a file in a package, you must copy the file out to a designated directory, edit the file, and copy it back into the package. You may want to do this to delete sensitive data in the file before sending the package to Oracle Support.

**Syntax and Description**

```
ips copy out file source to target [overwrite]
```

Copies a file, *source*, to a location outside the ADR, *target* (specified with full pathname). Use the `overwrite` option to overwrite the file that exists already.

**Example**

This example copies a file in the ADR home called `/trace/ora_26201` to a local folder.

```
ips copy out file <ADR_HOME>/trace/orcl_ora_13579.trc to /home/nick/trace/orcl_ora_13579.trc
```

**See Also:**

- ["Using the <ADR\\_HOME> and <ADR\\_BASE> Variables in IPS Commands"](#) on page 15-18 for information on the <ADR\_HOME> directory syntax
- ["IPS SHOW FILES"](#) on page 15-31 for information on listing files in a package

**IPS CREATE PACKAGE****Purpose**

Creates a new package. ADRCI automatically assigns the package number for the new package.

**Syntax and Description**

```
ips create package {incident inc_id | problem prob_id |  
                  problemkey prob_key | seconds secs | time start_time to end_time}  
                  [correlate basic | typical | all]
```

Optionally, you can add incidents to the new package using the provided options.

[Table 15-5](#) describes the arguments for IPS CREATE PACKAGE.

**Table 15–5 Arguments of IPS CREATE command**

Argument	Description
<code>incident <i>inc_id</i></code>	Adds an incident with ID <i>inc_id</i> to the package
<code>problem <i>prob_id</i></code>	Adds all incidents with problem ID <i>prob_id</i> to the package. Adds only the first three early incidents and last three late incidents for the problem, excluding any older than 90 days. (Note: These limits are defaults and can be changed. See "IPS SET CONFIGURATION" on page 15-28.)
<code>problemkey <i>pr_key</i></code>	Adds all incidents with problem key <i>pr_key</i> to the package. Adds only the first three early incidents and last three late incidents for the problem key, excluding any older than 90 days. (Note: These limits are defaults and can be changed.)
<code>seconds <i>secs</i></code>	Adds all incidents that have occurred within <i>secs</i> seconds of the present time
<code>time <i>start_time</i> to <i>end_time</i></code>	Adds all incidents taking place between <i>start_time</i> and <i>end_time</i> to the package. Time format is 'YYYY-MM-YY HH24:MI:SS.FF TZR'. Fractional part (FF) is optional.
<code>correlate [basic   typical   all]</code>	<p>Selects a method of including correlated incidents in the package. There are three options for this argument:</p> <ul style="list-style-type: none"> <li>■ <code>correlate basic</code> includes incident dumps and incident process trace files.</li> <li>■ <code>correlate typical</code> includes incident dumps and any trace files that were modified within five minutes of each incident. You can alter the time interval by modifying the <code>INCIDENT_TIME_WINDOW</code> configuration parameter.</li> <li>■ <code>correlate all</code> includes the incident dumps, and all trace files that were modified between the time of the first selected incident and the last selected incident.</li> </ul> <p>The default value is <code>correlate typical</code>.</p>
<code>package <i>pkg_id</i></code>	Adds incidents to the package with ID <i>pkg_id</i> .

### Examples

This example creates a package with no incidents:

```
ips create package
```

#### Output:

```
Created package 5 without any contents, correlation level typical
```

This example creates a package containing all incidents between 10 AM and 11 PM on the given day:

```
ips create package time '2007-05-01 10:00:00.00 -07:00' to '2007-05-01 23:00:00.00 -07:00'
```

#### Output:

```
Created package 6 based on time range 2007-05-01 10:00:00.00 -07:00 to 2007-05-01 23:00:00.00 -07:00, correlation level typical
```

This example creates a package and adds the first three early incidents and the last three late incidents with problem ID 3, excluding incidents that are older than 90 days:

```
ips create package problem 3
```

#### Output:

---

Created package 7 based on problem id 3, correlation level typical

---

---

**Note:** The number of early and late incidents added, and the 90-day age limit are defaults that can be changed. See "[IPS SET CONFIGURATION](#)" on page 15-28.

---

---

**See Also:** "[Creating Incident Packages](#)"

## IPS DELETE PACKAGE

### Purpose

Drops a package and its contents from the ADR.

### Syntax and Description

```
ips delete package pkg_id
```

*pkg\_id* is the package to delete.

### Example

```
ips delete package 12
```

## IPS FINALIZE

### Purpose

Finalizes a package before uploading.

### Syntax and Description

```
ips finalize package pkg_id
```

*pkg\_id* is the package ID to finalize.

### Example

```
ips finalize package 12
```

**See Also:** *Oracle Database Administrator's Guide* for more information on finalizing packages

## IPS GENERATE PACKAGE

### Purpose

Creates a physical package (a ZIP file) in target directory.

### Syntax and Description

```
ips generate package package_id [in path] [complete | incremental]
```

*package\_id* is the ID of the package to generate. Optionally, you can save the file in the directory *path*. Otherwise, the package is generated in the current working directory.

The *complete* option means the package forces ADRCI to include all package files. This is the default behavior.

The `incremental` option includes only files that have been added or changed since the last time that this package was generated. With the `incremental` option, the command finishes more quickly.

**Example**

This example generates a physical package file in path `/home/steve`:

```
ips generate package 12 in /home/steve
```

This example generates a physical package from files added or changed since the last generation:

```
ips generate package 14 incremental
```

**See Also:** ["Generating a Physical Incident Package"](#) on page 15-14

**IPS GET MANIFEST****Purpose**

Extracts the manifest from a package ZIP file and displays it.

**Syntax and Description**

```
ips get manifest from file filename
```

*filename* is a package ZIP file. The manifest is an XML-formatted set of metadata for the package file, including information on ADR configuration, correlated files, incidents, and how the package was generated.

This command does not require an ADR home to be set before you can use it.

**Example**

```
ips get manifest from file /home/steve/ORA603_20060906165316_COM_1.zip
```

**IPS GET METADATA****Purpose**

Extracts ADR-related metadata from a package file and displays it.

**Syntax and Description**

```
ips get metadata {from file filename | from adr}
```

*filename* is a package ZIP file. The metadata in a package file (stored in the file `metadata.xml`) contains information about the ADR home, ADR base, and product.

Use the `from adr` option to get the metadata from a package ZIP file that has been unpacked into an ADR home using `IPS UNPACK`.

The `from adr` option requires an ADR home to be set.

**Example**

This example displays metadata from a package file:

```
ips get metadata from file /home/steve/ORA603_20060906165316_COM_1.zip
```

This next example displays metadata from a package file that was unpacked into the directory `/scratch/oracle/package1`:



```
set base /scratch/oracle/package1
ips get metadata from adr
```

In this previous example, upon receiving the SET BASE command, ADRCI automatically adds to the homedir the ADR home that was created in /scratch/oracle/package1 by the IPS UNPACK FILE command.

**See Also:** ["IPS UNPACK FILE"](#) for more information on unpacking package files

## IPS PACK

### Purpose

Creates a package and generates the physical package immediately.

### Syntax and Description

```
ips pack [incident inc_id | problem prob_id | problemkey prob_key |
seconds secs | time start_time to end_time]
[correlate {basic | typical | all}] [in_path]
```

ADRCI automatically generates the package number for the new package. IPS PACK creates an empty package if no package contents are specified.

[Table 15-6](#) describes the arguments for IPS PACK.

**Table 15-6 Arguments of IPS PACK command**

Argument	Description
incident <i>inc_id</i>	Adds incident with ID <i>inc_id</i> to the package
problem <i>prob_id</i>	Adds incidents with problem ID <i>prob_id</i> to the package. Adds only the first three early incidents and last three late incidents for the problem, excluding any older than 90 days. (Note: These limits are defaults and can be changed. See <a href="#">"IPS SET CONFIGURATION"</a> on page 15-28.)
problemkey <i>pr_key</i>	Adds incidents with problem key <i>pr_key</i> to the package. Adds only the first three early incidents and last three late incidents for the problem key, excluding any older than 90 days. (Note: These limits are defaults and can be changed.)
seconds <i>secs</i>	Adds all incidents that have occurred within <i>secs</i> seconds of the present time

**Table 15–6 (Cont.) Arguments of IPS PACK command**

Argument	Description
<code>time start_time to end_time</code>	Adds all incidents taking place between <i>start_time</i> and <i>end_time</i> to the package. Time format is 'YYYY-MM-YY HH24:MI:SS.FF TZR'. Fractional part (FF) is optional.
<code>correlate [basic   typical   all]</code>	<p>Selects a method of including correlated incidents in the package. There are three options for this argument:</p> <ul style="list-style-type: none"> <li>▪ <code>correlate basic</code> includes incident dumps and incident process trace files.</li> <li>▪ <code>correlate typical</code> includes incident dumps and any trace files that were modified within five minutes of each incident. You can alter the time interval by modifying the <code>INCIDENT_TIME_WINDOW</code> configuration parameter.</li> <li>▪ <code>correlate all</code> includes the incident dumps, and all trace files that were modified between the time of the first selected incident and the last selected incident.</li> </ul> <p>The default value is <code>correlate typical</code>.</p>
<code>[in path]</code>	Saves the physical package to directory <i>path</i> .

**Example**

This example creates an empty package:

```
ips pack
```

This example creates a physical package containing all information for incident 861:

```
ips pack incident 861
```

This example creates a physical package for all incidents in the last minute, fully correlated:

```
ips pack seconds 60 correlate all
```

**See Also:** ["IPS SET CONFIGURATION"](#) for more information on setting configuration parameters.

**IPS REMOVE****Purpose**

Removes incidents from an existing package.

**Syntax and Description**

```
ips remove {incident inc_id | problem prob_id | problemkey prob_key}
           package pkg_id
```

After removing incidents from a package, the incidents continue to be tracked within the package metadata to prevent ADRCI from automatically including them later (such as with `ADD NEW INCIDENTS`).

[Table 15–7](#) describes the arguments of `IPS REMOVE`.

**Table 15-7 Arguments of IPS REMOVE command**

Argument	Description
incident <i>inc_id</i>	Removes the incident with ID <i>inc_id</i> from the package
problem <i>prob_id</i>	Removes all incidents with problem ID <i>prob_id</i> from the package
problemkey <i>pr_key</i>	Removes all incidents with problem key <i>pr_key</i> from the package
package <i>pkg_id</i>	Removes incidents from the package with ID <i>pkg_id</i> .

**Example**

This example removes incident 22 from package 12:

```
ips remove incident 22 package 12
```

**See Also:** ["IPS GET MANIFEST"](#) on page 15-24 for information on package metadata.

**IPS REMOVE FILE****Purpose**

Removes a file from an existing package.

**Syntax and Description**

```
ips remove file file_name package pkg_id
```

*file\_name* is the file to remove from package *pkg\_id*. The complete path of the file must be specified. (You can use the <ADR\_HOME> and <ADR\_BASE> variables if desired.)

After removal, the file continues to be tracked within the package metadata to prevent ADRCI from automatically including it later (such as with ADD NEW INCIDENTS). Removing a file, therefore, only sets the EXCLUDE flag for the file to 1.

**Example**

This example removes a trace file from package 12:

```
ips remove file <ADR_HOME>/trace/orcl_ora_13579.trc package 12
Removed file <ADR_HOME>/trace/orcl_ora_13579.trc from package 12
ips show files package 12
```

```
.
.
.
*****
FILE RECORD
*****
```

-----  
**FILE INFORMATION:**

```
FILE_LOCATION      <ADR_HOME>/trace
FILE_NAME          orcl_ora_13579.trc
LAST_SEQUENCE      0
EXCLUDE          1
```

```
.
.
.
```

**See Also:**

- ["IPS GET MANIFEST"](#) on page 15-24 for information on package metadata.
- ["Using the <ADR\\_HOME> and <ADR\\_BASE> Variables in IPS Commands"](#) on page 15-18 for information on the <ADR\_BASE> directory syntax
- ["IPS SHOW FILES"](#) on page 15-31

## IPS SET CONFIGURATION

**Purpose**

Changes the value of an IPS configuration parameter.

**Syntax and Description**

```
ips set configuration parameter_id value
```

*parameter\_id* is the parameter ID to change, and *value* is the new value. For a list of the configuration parameters and their IDs, use ["IPS SHOW CONFIGURATION"](#).

**Example**

```
ips set configuration 3 10
```

## IPS SHOW CONFIGURATION

**Purpose**

Displays a list of IPS configuration parameters and their values. These parameters control various thresholds for IPS data, such as timeouts and incident inclusion intervals.

**Syntax and Description**

```
ips show configuration [parameter_id]
```

IPS SHOW CONFIGURATION lists the following information for each configuration parameter:

- Parameter ID
- Name
- Description
- Unit used by parameter (such as days or hours)
- Value
- Default value

Optionally, you can get information about a specific parameter by supplying a *parameter\_id*.

**Example**

This command describes all IPS configuration parameters:

```
ips show configuration
```

Output:

## IPS CONFIGURATION PARAMETER

\*\*\*\*\*

## PARAMETER INFORMATION:

```

PARAMETER_ID      1
NAME              CUTOFF_TIME
DESCRIPTION       Maximum age for an incident to be considered for inclusion
UNIT             Days
VALUE            90
DEFAULT_VALUE    90

```

## IPS CONFIGURATION PARAMETER

\*\*\*\*\*

## PARAMETER INFORMATION:

```

PARAMETER_ID      2
NAME              NUM_EARLY_INCIDENTS
DESCRIPTION       How many incidents to get in the early part of the range
UNIT             Number
VALUE            3
DEFAULT_VALUE    3

```

## IPS CONFIGURATION PARAMETER

\*\*\*\*\*

## PARAMETER INFORMATION:

```

PARAMETER_ID      3
NAME              NUM_LATE_INCIDENTS
DESCRIPTION       How many incidents to get in the late part of the range
UNIT             Number
VALUE            3
DEFAULT_VALUE    3

```

## IPS CONFIGURATION PARAMETER

\*\*\*\*\*

## PARAMETER INFORMATION:

```

PARAMETER_ID      4
NAME              INCIDENT_TIME_WINDOW
DESCRIPTION       Incidents this close to each other are considered correlated
UNIT             Minutes
VALUE            5
DEFAULT_VALUE    5

```

## IPS CONFIGURATION PARAMETER

\*\*\*\*\*

## PARAMETER INFORMATION:

```

PARAMETER_ID      5
NAME              PACKAGE_TIME_WINDOW
DESCRIPTION       Time window for content inclusion is from x hours before first
included incident to x hours after last incident

```

```

UNIT          Hours
VALUE         24
DEFAULT_VALUE 24
    
```

```

-----
*****
IPS CONFIGURATION PARAMETER
*****
-----
PARAMETER INFORMATION:
PARAMETER_ID 6
NAME         DEFAULT_CORRELATION_LEVEL
DESCRIPTION   Default correlation level for packages
UNIT         Number
VALUE        2
DEFAULT_VALUE 2
    
```

**Example**

This command describes configuration parameter 3:

```
ips show configuration 3
```

**Configuration Parameter Descriptions**

[Table 15–8](#) describes the IPS configuration parameters in detail.

**Table 15–8 IPS Configuration Parameters**

Parameter	ID	Description
CUTOFF_TIME	1	Maximum age, in days, for an incident to be considered for inclusion
NUM_EARLY_INCIDENTS	2	Number of incidents to include in the early part of the range when creating a package based on a problem. By default, ADRCI adds the three earliest incidents and three most recent incidents to the package.
NUM_LATE_INCIDENTS	3	Number of incidents to include in the late part of the range when creating a package based on a problem. By default, ADRCI adds the three earliest incidents and three most recent incidents to the package.

**Table 15–8 (Cont.) IPS Configuration Parameters**

Parameter	ID	Description
INCIDENT_TIME_WINDOW	4	Number of minutes between two incidents in order for them to be considered correlated.
PACKAGE_TIME_WINDOW	5	Number of hours to use as a time window for including incidents in a package. For example, a value of 5 includes incidents five hours before the earliest incident in the package, and five hours after the most recent incident in the package.
DEFAULT_CORRELATION_LEVEL	6	The default correlation level to use for correlating incidents in a package. The correlation levels are: <ul style="list-style-type: none"> <li>■ 1 ("basic" correlation): includes incident dumps and incident process trace files.</li> <li>■ 2 ("typical" correlation): includes incident dumps and any trace files that were modified within the time window specified by <code>INCIDENT_TIME_WINDOW</code> (see above).</li> <li>■ 4 ("all"): includes the incident dumps, and all trace files that were modified between the first selected incident and the last selected incident. Additional incidents can be included automatically if they occurred in the same time range.</li> </ul>

**See Also:** ["IPS SET CONFIGURATION"](#) on page 15-28

## IPS SHOW FILES

### Purpose

Lists files included in the specified package.

### Syntax and Description

```
ips show files package pkg_id
```

*pkg\_id* is the package ID to display.

### Example

This example shows all files associated with package 3:

```
ips show files package 3
```

### Output:

```
*****
FILE RECORD
*****

-----
FILE INFORMATION:
  FILE_LOCATION      <ADR_HOME>/incident/incdir_4!/nick/oracle/log/diag/rdbms/
  FILE_NAME          orcl_ora_13579_i4_2.trc
  LAST_SEQUENCE      0
  EXCLUDE            0

-----
*****
FILE RECORD
*****
-----
```

```

FILE INFORMATION:
FILE_LOCATION      <ADR_HOME>/incident/incdir_4!/nick/oracle/log/diag/rdbms/
FILE_NAME          orcl_ora_13579_i4.trc
LAST_SEQUENCE      0
EXCLUDE            0
    
```

```

-----
*****
FILE RECORD
*****
    
```

```

FILE INFORMATION:
FILE_LOCATION      <ADR_HOME>/incident/incdir_4!/nick/oracle/log/diag/rdbms/
FILE_NAME          orcl_ora_13579_i4_sql_2.trc
LAST_SEQUENCE      0
EXCLUDE            0
    
```

## IPS SHOW INCIDENTS

### Purpose

Lists incidents included in the specified package.

### Syntax and Description

```
ips show incidents package pkg_id
```

*pkg\_id* is the package ID to display.

### Example

This example lists the incidents in package 3:

```
ips show incidents package 3
```

### Output:

```

*****
Main INCIDENTS
*****
-----
INCIDENT RECORD
*****
-----
INCIDENT INFORMATION:
INCIDENT_ID        3827
PROBLEM_ID         3
EXCLUDE            0
-----
*****
Correlated INCIDENTS
*****
-----
    
```



```

INCIDENT RECORD
*****

-----

INCIDENT INFORMATION:
  INCIDENT_ID          3633
  PROBLEM_ID           2
  EXCLUDE              0

-----

*****

INCIDENT RECORD
*****

-----

INCIDENT INFORMATION:
  INCIDENT_ID          3634
  PROBLEM_ID           3
  EXCLUDE              0

-----

```

## IPS UNPACK FILE

### Purpose

Unpacks a physical package file into the specified path.

### Syntax and Description

```
ips unpack file file_name [into path]
```

*file\_name* is the full pathname of the physical package (zip file) to unpack. Optionally, you can unpack the file into directory *path*, which must exist and be writable. If you omit the path, the current working directory is used. The destination directory is treated as an ADR base, and the entire ADR base directory hierarchy is created, including a valid ADR home.

This command does not require an ADR home to be set before you can use it.

### Example

```
ips unpack file /tmp/ORA603_20060906165316_COM_1.zip into /tmp/newadr
```

## PURGE

### Purpose

Purges diagnostic data in the current ADR home, according to current purging policies. Only ADR contents that are due to be purged are purged.

Diagnostic data in the ADR has a default lifecycle. For example, information about incidents and problems is subject to purging after one year, whereas the associated dump files (dumps) are subject to purging after only 30 days.

Some Oracle products, such as Oracle Database, automatically purge diagnostic data at the end of its lifecycle. Other products and components require you to purge diagnostic data manually with this command. You can also use this command to purge data that is due to be automatically purged.

The [SHOW CONTROL](#) command displays the default purging policies for short-lived ADR contents and long-lived ADR contents.

### Syntax and Description

```
purge [[-i {id | start_id end_id}] | [-age mins [-type
      {ALERT | INCIDENT | TRACE | CDUMP | HM}]]]
```

[Table 15-9](#) describes the flags for PURGE.

**Table 15-9** Flags for the PURGE command

Flag	Description
<code>[-i {id1   start_id end_id}]</code>	Purges either a specific incident ID ( <i>id</i> ) or a range of incident IDs ( <i>start_id</i> and <i>end_id</i> ).
<code>[-age mins]</code>	Purges only data older than <i>mins</i> minutes.
<code>[-type {ALERT   INCIDENT   TRACE   CDUMP   HM} ]</code>	Specifies the type of diagnostic data to purge (alert log messages, incident data, trace files (including dumps), core files, or Health Monitor run data and reports).

### Examples

This example purges all diagnostic data in the current ADR home based on the default purging policies:

```
purge
```

This example purges all diagnostic data for all incidents between 123 and 456:

```
purge -i 123 456
```

This example purges all incident data from the last hour:

```
purge -age 60 -type incident
```

---



---

**Note:** PURGE does not work when multiple ADR homes are set. For information on setting a single ADR home, see ["Setting the ADRCI Homepath Before Using ADRCI Commands"](#) on page 15-6

---



---

## QUIT

See ["EXIT"](#)

## RUN

### Purpose

Runs an ADRCI script.

### Syntax and Description

```
run script_name
```

```
@ script_name
```

```
@@ script_name
```

*script\_name* is the file containing the ADRCI commands to execute. ADRCI looks for the script in the current directory unless a full pathname is supplied. If the file name is given without a file extension, ADRCI uses the default extension ".adi".

The `run` and `@` commands are synonyms. The `@@` command is similar to `run` and `@` except that when used inside a script, `@@` uses the path of the calling script to locate *script\_name*, rather than the current directory.

This command does not require an ADR home to be set before you can use it.

**Example**

```
run my_script
```

```
@my_script
```

## SET BASE

**Purpose**

Sets the ADR base to use in the current ADRCI session.

**Syntax and Description**

```
set base base_str
```

*base\_str* is a full path to a directory. The format for *base\_str* depends on the operating system. If there are valid ADR homes under the base directory, these homes are added to the homepath of the current ADRCI session.

This command does not require an ADR home to be set before you can use it.

**Example**

```
set base /net/sttttd1/scratch/steve/view_storage/steve_v1/log
```

**See Also:** ["ADR Base"](#) on page 15-3

## SET BROWSER

**Purpose**

Sets the default browser for displaying reports.

---

---

**Note:** This command is reserved for future use. At this time ADRCI does not support HTML-formatted reports in a browser.

---

---

**Syntax and Description**

```
set browser browser_program
```

*browser\_program* is the browser program name (it is assumed the browser can be started from the current ADR working directory). If no browser is set, ADRCI will display reports to the terminal or spool file.

This command does not require an ADR home to be set before you can use it.

**Example**

```
set browser mozilla
```

**See Also:**

- ["SHOW REPORT"](#) on page 15-47 for more information on showing reports
- ["SPOOL"](#) on page 15-48 for more information on spooling

## SET CONTROL

**Purpose**

Sets purging policies for ADR contents.

**Syntax and Description**

```
set control (purge_policy = value, ...)
```

*purge\_policy* is either `SHORTP_POLICY` or `LONGP_POLICY`. See ["SHOW CONTROL"](#) on page 15-40 for more information.

*value* is the number of hours after which the ADR contents become eligible for purging.

This command works with a single ADR home only.

**Example**

```
set control (SHORTP_POLICY = 360)
```

## SET ECHO

**Purpose**

Turns command output on or off. This command only affects output being displayed in a script or using the spool mode.

**Syntax and Description**

```
set echo on|off
```

This command does not require an ADR home to be set before you can use it.

**Example**

```
set echo off
```

**See Also:** ["SPOOL"](#) on page 15-48 for more information on spooling

## SET EDITOR

**Purpose**

Sets the editor for displaying the alert log and the contents of trace files.

**Syntax and Description**

```
set editor editor_program
```

*editor\_program* is the editor program name. If no editor is set, ADRCI uses the editor specified by the operating system environment variable `$EDITOR`. If `$EDITOR` is not set, ADRCI uses `vi` as the default editor.

This command does not require an ADR home to be set before you can use it.

**Example**

```
set editor xemacs
```

**See Also:** ["SHOW REPORT"](#) on page 15-47

## SET HOMEPATH

**Purpose**

Makes one or more ADR homes current. Many ADR commands work with the current ADR homes only.

**Syntax and Description**

```
set homopath homepath_str1 homepath_str2 . . .
```

The *homepath\_strn* strings are the paths of the ADR homes *relative to the current ADR base*. The "diag" in the directory name can be omitted. If the specified path contains multiple ADR homes, all of the homes are added to the homopath.

If a desired new ADR home is not within the current ADR base, use SET BASE to set a new ADR base and then use SET HOMEPATH.

This command does not require an ADR home to be set before you can use it.

**Example**

```
set homopath diag/rdbms/aime3/aime3  diag/rdbms/aime3/aime32
```

**See Also:** ["Homepath"](#) on page 15-4

## SET TERMOUT

**Purpose**

Turns output to the terminal on or off.

**Syntax and Description**

```
set termout on|off
```

This setting is independent of spooling. That is, the output can be directed to both terminal and a file at the same time.

This command does not require an ADR home to be set before you can use it.

**See Also:** ["SPOOL"](#) for more information on spooling.

**Example**

```
set termout on
```

## SHOW ALERT

**Purpose**

Shows the contents of the alert log in the default editor.

**Syntax and Description**

```
show alert [-p predicate_string] [-tail [num] [-f]] [-term]
```

[`-file alert_file_name`]

Except when using the `-term` flag, this command works with only a single current ADR home. If more than one ADR home is set, ADRCI prompts you to choose the ADR home to use.

**Table 15–10** *Flags for the SHOW ALERT command*

Flag	Description
<code>-p predicate_string</code>	Uses a SQL-like predicate string to show only the alert log entries for which the predicate is true. The predicate string must be enclosed in double quotes.  Table 15–11 lists the fields that can be used in the predicate string.
<code>-tail [num] [-f]</code>	Displays the most recent entries in the alert log.  Use the <code>num</code> option to display the last <code>num</code> entries in the alert log. If <code>num</code> is omitted, the last 10 entries are displayed.  If the <code>-f</code> option is given, after displaying the requested messages, the command does not return. Instead, it remains active and continuously displays new alert log entries to the terminal as they arrive in the alert log. You can use this command to perform live monitoring of the alert log. To terminate the command, press CTRL-C.
<code>-term</code>	Directs results to the terminal. Outputs the entire alert logs from all current ADR homes, one after another. If this option is not given, the results are displayed in the default editor.
<code>-file alert_file_name</code>	Enables you to specify an alert file outside the ADR. <code>alert_file_name</code> must be specified with a full path name. Note that this option cannot be used with the <code>-tail</code> option.

**Table 15–11** *Alert Fields for SHOW ALERT*

Field	Type
ORIGINATING_TIMESTAMP	timestamp
NORMALIZED_TIMESTAMP	timestamp
ORGANIZATION_ID	text (65)
COMPONENT_ID	text (65)
HOST_ID	text (65)
HOST_ADDRESS	text (17)
MESSAGE_TYPE	number
MESSAGE_LEVEL	number
MESSAGE_ID	text (65)
MESSAGE_GROUP	text (65)
CLIENT_ID	text (65)
MODULE_ID	text (65)
PROCESS_ID	text (33)
THREAD_ID	text (65)
USER_ID	text (65)
INSTANCE_ID	text (65)

**Table 15–11 (Cont.) Alert Fields for SHOW ALERT**

Field	Type
DETAILED_LOCATION	text (161)
UPSTREAM_COMP_ID	text (101)
DOWNSTREAM_COMP_ID	text (101)
EXECUTION_CONTEXT_ID	text (101)
EXECUTION_CONTEXT_SEQUENCE	number
ERROR_INSTANCE_ID	number
ERROR_INSTANCE_SEQUENCE	number
MESSAGE_TEXT	text (2049)
MESSAGE_ARGUMENTS	text (129)
SUPPLEMENTAL_ATTRIBUTES	text (129)
SUPPLEMENTAL_DETAILS	text (129)
PROBLEM_KEY	text (65)

**Example**

This example shows all alert messages for the current ADR home in the default editor:

```
show alert
```

This example shows all alert messages for the current ADR home and directs the output to the terminal instead of the default editor:

```
show alert -term
```

This example shows all alert messages for the current ADR home with message text describing an incident:

```
show alert -p "message_text like '%incident%'"
```

This example shows the last twenty alert messages, and then keeps the alert log open, displaying new alert log entries as they arrive:

```
show alert -tail 20 -f
```

This example shows all alert messages for a single ADR home in the default editor when multiple ADR homes have been set:

```
show alert
```

Choose the alert log from the following homes to view:

```
1: diag/rdbms/
2: diag/tnslsnr/sta00339/listener
Q: to quit
```

Please select option:

```
1
```

**See Also:** ["SET EDITOR"](#) on page 15-36

## SHOW BASE

### Purpose

Shows the current ADR base.

### Syntax and Description

```
show base [-product product_name]
```

Optionally, you can show the product's ADR base location for a specific product. The products currently supported are "CLIENT" and "ADRCI".

This command does not require an ADR home to be set before you can use it.

### Example

This example shows the current ADR base:

```
show base
```

Output:

```
ADR base is "/scratch/nick/rdbms/log"
```

This example shows the current ADR base for Oracle Database clients:

```
show base -product client
```

## SHOW CONTROL

### Purpose

Displays information about the Automatic Diagnostic Repository (ADR), including the purging policy.

### Syntax and Description

```
show control
```

Displays various attributes of the ADR, including the following purging policy attributes:

Attribute Name	Description
SHORTP_POLICY	Number of hours after which to purge ADR contents that have a short life. Default is 720 (30 days).
LONGP_POLICY	Number of hours after which to purge ADR contents that have a long life. Default is 8760 (365 days).

## SHOW HM\_RUN

### Purpose

Shows all information for Health Monitor runs.

### Syntax and Description

```
show hm_run [-p predicate_string]
```

*[-p predicate\_string]* is a SQL-like predicate specifying the field names to select. [Table 15-12](#) displays the list of field names you can use.



**Table 15–12 Fields for Health Monitor Runs**

Field	Type
RUN_ID	number
RUN_NAME	text (31)
CHECK_NAME	text (31)
NAME_ID	number
MODE	number
START_TIME	timestamp
RESUME_TIME	timestamp
END_TIME	timestamp
MODIFIED_TIME	timestamp
TIMEOUT	number
FLAGS	number
STATUS	number
SRC_INCIDENT_ID	number
NUM_INCIDENTS	number
ERR_NUMBER	number
REPORT_FILE	bfile

**Example**

This example displays data for all Health Monitor runs:

```
show hm_run
```

This example displays data for the Health Monitor run with ID 123:

```
show hm_run -p "run_id=123"
```

**See Also:** *Oracle Database Administrator's Guide* for more information on Health Monitor

## SHOW HOMEPATH

**Purpose**

Identical to the `SHOW HOMES` command.

**Syntax and Description**

```
show homepath | show homes | show home
```

This command does not require an ADR home to be set before you can use it.

**Example**

```
show homepath
```

**Output:**

```
ADR Homes:
diag/diagtool/user_nick/host_3075434791_11
diag/rdbms/db1/db1
```

```
diag/rdbms/db2/db2
```

**See Also:** ["SET HOMEPATH"](#) for information on how to set the homepath

## SHOW HOMES

### Purpose

Show the ADR homes in the current ADRCI session.

### Syntax and Description

```
show homes | show home | show homepath
```

This command does not require an ADR home to be set before you can use it.

### Example

```
show homes
```

### Output:

```
ADR Homes:
diag/diagtool/user_nick/host_3075434791_11
diag/rdbms/db1/db1
diag/rdbms/db2/db2
```

## SHOW INCDIR

### Purpose

Shows trace files for the specified incident.

### Syntax and Description

```
show incdir [id | id_low id_high]
```

You can provide a single incident ID (*id*) or a range of incidents (*id\_low* to *id\_high*). If no incident ID is given, trace files for all incidents are listed.

### Example

This example shows all trace files for all incidents:

```
show incdir
```

### Output:

```
ADR Home = /ade/sfogel_emdb/oracle/log/diag/rdbms/emdb/emdb:
*****
diag/rdbms/emdb/emdb/incident/incdir_3801/emdb_ora_23604_i3801.trc
diag/rdbms/emdb/emdb/incident/incdir_3801/emdb_m000_23649_i3801_a.trc
diag/rdbms/emdb/emdb/incident/incdir_3802/emdb_ora_23604_i3802.trc
diag/rdbms/emdb/emdb/incident/incdir_3803/emdb_ora_23604_i3803.trc
diag/rdbms/emdb/emdb/incident/incdir_3804/emdb_ora_23604_i3804.trc
diag/rdbms/emdb/emdb/incident/incdir_3805/emdb_ora_23716_i3805.trc
diag/rdbms/emdb/emdb/incident/incdir_3805/emdb_m000_23767_i3805_a.trc
diag/rdbms/emdb/emdb/incident/incdir_3806/emdb_ora_23716_i3806.trc
diag/rdbms/emdb/emdb/incident/incdir_3633/emdb_pmon_28970_i3633.trc
diag/rdbms/emdb/emdb/incident/incdir_3633/emdb_m000_23778_i3633_a.trc
diag/rdbms/emdb/emdb/incident/incdir_3713/emdb_smon_28994_i3713.trc
diag/rdbms/emdb/emdb/incident/incdir_3713/emdb_m000_23797_i3713_a.trc
```

```
diag/rdbms/emdb/emdb/incident/incdir_3807/emdb_ora_23783_i3807.trc
diag/rdbms/emdb/emdb/incident/incdir_3807/emdb_m000_23803_i3807_a.trc
diag/rdbms/emdb/emdb/incident/incdir_3808/emdb_ora_23783_i3808.trc
```

This example shows all trace files for incident 3713

```
show incdir 3713
```

Output:

```
ADR Home = /ade/sfogel_emdb/oracle/log/diag/rdbms/emdb/emdb:
*****
diag/rdbms/emdb/emdb/incident/incdir_3713/emdb_smon_28994_i3713.trc
diag/rdbms/emdb/emdb/incident/incdir_3713/emdb_m000_23797_i3713_a.trc
```

This example shows all tracefiles for incidents between 3801 and 3804:

```
show incdir 3801 3804
```

Output:

```
ADR Home = /ade/sfogel_emdb/oracle/log/diag/rdbms/emdb/emdb:
*****
diag/rdbms/emdb/emdb/incident/incdir_3801/emdb_ora_23604_i3801.trc
diag/rdbms/emdb/emdb/incident/incdir_3801/emdb_m000_23649_i3801_a.trc
diag/rdbms/emdb/emdb/incident/incdir_3802/emdb_ora_23604_i3802.trc
diag/rdbms/emdb/emdb/incident/incdir_3803/emdb_ora_23604_i3803.trc
diag/rdbms/emdb/emdb/incident/incdir_3804/emdb_ora_23604_i3804.trc
```

## SHOW INCIDENT

### Purpose

Lists all of the incidents associated with the current ADR home. Includes both open and closed incidents.

### Syntax and Description

```
show incident [-p predicate_string] [-mode {BASIC|BRIEF|DETAIL}]
              [-orderby field1, field2, ...] [ASC|DSC]
```

[Table 15–13](#) describes the flags for SHOW INCIDENT.

**Table 15–13** *Flags for SHOW INCIDENT command*

Flag	Description
<code>-p <i>predicate_string</i></code>	Use a predicate string to show only the incidents for which the predicate is true. The predicate string must be enclosed in double quotes. <a href="#">Table 15–14</a> lists the fields that can be used in the predicate string.

**Table 15–13 (Cont.) Flags for SHOW INCIDENT command**

Flag	Description
<code>[-mode {BASIC BRIEF DETAIL}]</code>	<p>Choose an output mode for incidents. BASIC is the default.</p> <ul style="list-style-type: none"> <li>▪ BASIC displays only basic incident information (the INCIDENT_ID, PROBLEM_ID, and CREATE_TIME fields). It does not display flood-controlled incidents.</li> <li>▪ BRIEF displays all information related to the incidents, as given by the fields in Table 15–14. It includes flood-controlled incidents.</li> <li>▪ DETAIL displays all information for the incidents (as with BRIEF mode) as well as information about incident dumps. It includes flood-controlled incidents.</li> </ul>
<code>[-orderby field1, field2, ...] [ASC DSC]</code>	<p>Show results sorted by field in the given order, as well as in ascending (ASC) and descending order (DSC). By default, results are shown in ascending order.</p>

**Table 15–14 Incident Fields for SHOW INCIDENT**

Field	Type
INCIDENT_ID	number
PROBLEM_KEY	text (550)
PROBLEM_ID	number
CREATE_TIME	timestamp
CLOSE_TIME	timestamp
STATUS	number
FLAGS	number
FLOOD_CONTROLLED	number (decoded to a text status by ADRCI)
ERROR_FACILITY	text (10)
ERROR_NUMBER	number
ERROR_ARG1	text (64)
ERROR_ARG2	text (64)
ERROR_ARG3	text (64)
ERROR_ARG4	text (64)
ERROR_ARG5	text (64)
ERROR_ARG6	text (64)
ERROR_ARG7	text (64)
ERROR_ARG8	text (64)
SIGNALLING_COMPONENT	text (64)
SIGNALLING_SUBCOMPONENT	text (64)
SUSPECT_COMPONENT	text (64)
SUSPECT_SUBCOMPONENT	text (64)

**Table 15-14 (Cont.) Incident Fields for SHOW INCIDENT**

Field	Type
ECID	text (64)
IMPACT	number

**Examples**

This example shows all incidents for this ADR home:

```
show incident
```

**Output:**

```
ADR Home = /ade/sfogel_emdb/oracle/log/diag/rdbms/emdb/emdb:
*****
INCIDENT_ID          PROBLEM_KEY          CREATE_TIME
-----
3808                 ORA 603              2007-06-18 21:35:49.322161 -07:00
3807                 ORA 600 [4137]      2007-06-18 21:35:47.862114 -07:00
3806                 ORA 603              2007-06-18 21:35:26.666485 -07:00
3805                 ORA 600 [4136]      2007-06-18 21:35:25.012579 -07:00
3804                 ORA 1578             2007-06-18 21:35:08.483156 -07:00
3713                 ORA 600 [4136]      2007-06-18 21:35:44.754442 -07:00
3633                 ORA 600 [4136]      2007-06-18 21:35:35.776151 -07:00
7 rows fetched
```

This example shows the detail view for incident 3805:

```
adrci> show incident -mode DETAIL -p "incident_id=3805"
```

**Output:**

```
ADR Home = /ade/sfogel_emdb/oracle/log/diag/rdbms/emdb/emdb:
*****
*****
INCIDENT INFO RECORD 1
*****
INCIDENT_ID          3805
STATUS                closed
CREATE_TIME          2007-06-18 21:35:25.012579 -07:00
PROBLEM_ID           2
CLOSE_TIME           2007-06-18 22:26:54.143537 -07:00
FLOOD_CONTROLLED     none
ERROR_FACILITY       ORA
ERROR_NUMBER         600
ERROR_ARG1            4136
ERROR_ARG2            2
ERROR_ARG3            18.0.628
ERROR_ARG4            <NULL>
ERROR_ARG5            <NULL>
ERROR_ARG6            <NULL>
ERROR_ARG7            <NULL>
ERROR_ARG8            <NULL>
SIGNALLING_COMPONENT <NULL>
SIGNALLING_SUBCOMPONENT <NULL>
SUSPECT_COMPONENT    <NULL>
SUSPECT_SUBCOMPONENT <NULL>
ECID                  <NULL>
IMPACTS               0
```

```

PROBLEM_KEY          ORA 600 [4136]
FIRST_INCIDENT       3805
FIRSTINC_TIME        2007-06-18 21:35:25.012579 -07:00
LAST_INCIDENT        3713
LASTINC_TIME         2007-06-18 21:35:44.754442 -07:00
IMPACT1              0
IMPACT2              0
IMPACT3              0
IMPACT4              0
KEY_NAME             Client ProcId
KEY_VALUE            oracle@stadh43 (TNS V1-V3).23716_3083142848
KEY_NAME             SID
KEY_VALUE            127.52237
KEY_NAME             ProcId
KEY_VALUE            23.90
KEY_NAME             PQ
KEY_VALUE            (0, 1182227717)
OWNER_ID             1
INCIDENT_FILE        /.../emdb/emdb/incident/incdir_3805/emdb_ora_23716_i3805.trc
OWNER_ID             1
INCIDENT_FILE        /.../emdb/emdb/trace/emdb_ora_23716.trc
OWNER_ID             1
INCIDENT_FILE        /.../emdb/emdb/incident/incdir_3805/emdb_m000_23767_i3805_a.trc
1 rows fetched

```

## SHOW PROBLEM

### Purpose

Show problem information for the current ADR home.

### Syntax and Description

```

show problem [-p predicate_string]
             [-last num | -all]
             [-orderby field1, field2, ...] [ASC|DSC]

```

[Table 15-15](#) describes the flags for SHOW PROBLEM.

**Table 15-15** *Flags for SHOW PROBLEM command*

Flag	Description
<code>[-p <i>predicate_string</i>]</code>	Use a SQL-like predicate string to show only the incidents for which the predicate is true. The predicate string must be enclosed in double quotes.  <a href="#">Table 15-16</a> lists the fields that can be used in the predicate string.
<code>[-last <i>num</i>   -all]</code>	Shows the last <i>num</i> problems ( <code>-last</code> ), or list all the problems ( <code>-all</code> ). By default, SHOW PROBLEM lists the most recent 50 problems.
<code>[-orderby <i>field1, field2, ...</i>] [ASC DSC]</code>	Show results sorted by field in the given order ( <i>field1, field2, ...</i> ), as well as in ascending (ASC) and descending order (DSC). By default, results are shown in ascending order.

**Table 15–16 Problem Fields for SHOW PROBLEM**

Field	Type
PROBLEM_ID	number
PROBLEM_KEY	text (550)
FIRST_INCIDENT	number
FIRSTINC_TIME	timestamp
LAST_INCIDENT	number
LASTINC_TIME	timestamp
IMPACT1	number
IMPACT2	number
IMPACT3	number
IMPACT4	number
SERVICE_REQUEST	text (64)
BUG_NUMBER	text (64)

**Example**

This example lists all the problems in the current ADR home:

```
show problem -all
```

This example shows the problem with ID 4:

```
show problem -p "problem_id=4"
```

## SHOW REPORT

**Purpose**

Show a report for the specified report type and run name. Currently, only the `hm_run` (Health Monitor) report type is supported, and only in XML formatting. To view HTML-formatted Health Monitor reports, use Enterprise Manager or the `DBMS_HM` PL/SQL package. See *Oracle Database Administrator's Guide* for more information.

**Syntax and Description**

```
SHOW REPORT report_type run_name
```

*report\_type* must be `hm_run`. *run\_name* is the Health Monitor run name from which you created the report. You must first create the report using the `CREATE REPORT` command.

This command does not require an ADR home to be set before you can use it.

**Example**

```
show report hm_run hm_run_1421
```

**See Also:**

- ["CREATE REPORT"](#) on page 15-15
- ["SHOW HM\\_RUN"](#) on page 15-40

## SHOW TRACEFILE

### Purpose

List trace files.

### Syntax and Description

```
show tracefile [file1 file2 ...] [-rt | -t]
                [-i inc1 inc2 ...] [-path path1 path2 ...]
```

This command searches for one or more files under the trace directory and all incident directories of the current ADR homes, unless the `-i` or `-path` flags are given.

This command does not require an ADR home to be set unless using the `-i` option.

[Table 15–18](#) describes the arguments of `SHOW TRACEFILE`.

**Table 15–17 Arguments for SHOW TRACEFILE Command**

Argument	Description
<i>file1 file2</i>	Filter results by file name. The % symbol is a wildcard character.

**Table 15–18 Flags for SHOW TRACEFILE Command**

Flag	Description
<code>-rt   -t</code>	Order the trace filenames by timestamp. <code>-t</code> sorts the filenames in ascending order by timestamp, and <code>-rt</code> sorts them in reverse order. Note that filenames are only ordered relative to their directory. Listing multiple directories of trace files applies a separate ordering to each directory.  Timestamps are listed next to each filename when using this option.
<code>[-i <i>inc1 inc2 ...</i>]</code>	Select only the trace files produced for the given incident IDs.
<code>-path <i>path1 path2</i></code>	Query only the trace files under the given pathnames.

### Example

This example shows all the trace files under the current ADR home:

```
show tracefile
```

This example shows all the MMON trace files, sorted by timestamp in reverse order:

```
show tracefile %mmon% -rt
```

This example shows all trace files for incidents 1 and 4, under the path `/home/steve/temp`:

```
show tracefile -i 1 4 -path /home/steve/temp
```

## SPOOL

### Purpose

Directs ADRCI output to a file.

### Syntax and Description

```
SPOOL filename [[APPEND] | [OFF]]
```



*filename* is the filename where the output is to be directed. If a full pathname is not given, the file is created in the current ADRCI working directory. If no file extension is given, the default extension ".ado" is used. APPEND causes the output to be appended to the end of the file. Otherwise, the file is overwritten. Use OFF to turn off spooling.

This command does not require an ADR home to be set before you can use it.

### Example

```
spool myfile

spool myfile.ado append

spool off

spool
```

## Troubleshooting ADRCI

The following are some common ADRCI error messages, with their possible causes and remedies:

### No ADR base is set

**Cause:** You may have started ADRCI with a null or invalid value for the ORACLE\_HOME environment variable.

**Action:** Exit ADRCI, set the ORACLE\_HOME environment variable, and restart ADRCI. See "ADR Base" on page 15-3 for more information.

### DIA-48323: Specified pathname *string* must be inside current ADR home

**Cause:** A file outside of the ADR home is not allowed as an incident file for this command.

**Action:** Retry using an incident file inside the ADR home

### DIA-48400: ADRCI initialization failed

**Cause:** The ADR Base directory does not exist

**Action:** Check the value of the DIAGNOSTIC\_DEST initialization parameter, and ensure that it points to an ADR base directory that contains at least one ADR home. If DIAGNOSTIC\_DEST is missing or null, check for a valid ADR base directory hierarchy in ORACLE\_HOME/log.

### DIA-48431: Must specify at least one ADR home path

**Cause:** The command requires at least one ADR home to be current

**Action:** Use the SET HOMEPATH command to make one or more ADR homes current.

### DIA-48432: The ADR home path *string* is not valid

**Cause:** The supplied ADR home is not valid, possibly because the path does not exist.

**Action:** Check if the supplied ADR home path exists

### DIA-48447: The input path [*path*] does not contain any ADR homes

**Cause:** When using SET HOMEPATH to set an ADR home, you must supply a path relative to the current ADR base.

**Action:** If the new desired ADR home is not within the current ADR base, first set ADR base with `SET BASE`, and then use `SHOW HOMES` to check the ADR homes under the new ADR base. Next, use `SET HOMEPath` to set a new ADR home if necessary.

**DIA-48448: This command does not support multiple ADR homes**

**Cause:** There are multiple current ADR homes in the current ADRCI session.

**Action:** Use the `SET HOMEPath` command to make a single ADR home current.

---

---

## DBVERIFY: Offline Database Verification Utility

DBVERIFY is an external command-line utility that performs a physical data structure integrity check.

DBVERIFY can be used on offline or online databases, as well on backup files. You use DBVERIFY primarily when you need to ensure that a backup database (or datafile) is valid before it is restored, or as a diagnostic aid when you have encountered data corruption problems. Because DBVERIFY can be run against an offline database, integrity checks are significantly faster.

DBVERIFY checks are limited to cache-managed blocks (that is, data blocks). Because DBVERIFY is only for use with datafiles, it will not work against control files or redo logs.

There are two command-line interfaces to DBVERIFY. With the first interface, you specify disk blocks of a single datafile for checking. With the second interface, you specify a segment for checking. Both interfaces are started with the `dbv` command. The following sections provide descriptions of these interfaces:

- [Using DBVERIFY to Validate Disk Blocks of a Single Datafile](#)
- [Using DBVERIFY to Validate a Segment](#)

### Using DBVERIFY to Validate Disk Blocks of a Single Datafile

In this mode, DBVERIFY scans one or more disk blocks of a single datafile and performs page checks.

---

---

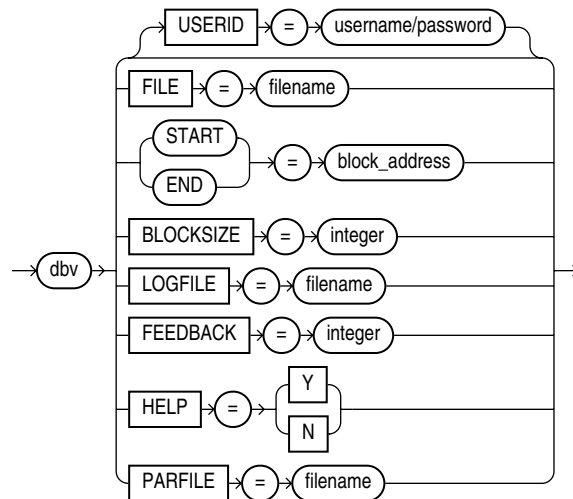
**Note:** If the file you are verifying is an Automatic Storage Management (ASM) file, you must supply a `USERID`. This is because DBVERIFY needs to connect to an Oracle instance to access ASM files.

---

---

### Syntax

The syntax for DBVERIFY when you want to validate disk blocks of a single datafile is as follows:



## Parameters

Descriptions of the parameters are as follows:

Parameter	Description
USERID	Specifies your username and password. This parameter is only necessary when the files being verified are ASM files.
FILE	The name of the database file to verify.
START	The starting block address to verify. Specify block addresses in Oracle blocks (as opposed to operating system blocks). If you do not specify <i>START</i> , DBVERIFY defaults to the first block in the file.
END	The ending block address to verify. If you do not specify <i>END</i> , DBVERIFY defaults to the last block in the file.
BLOCKSIZE	<i>BLOCKSIZE</i> is required only if the file to be verified does not have a block size of 2 KB. If the file does not have block size of 2 KB and you do not specify <i>BLOCKSIZE</i> , you will receive the error DBV-00103.
LOGFILE	Specifies the file to which logging information should be written. The default sends output to the terminal display.
FEEDBACK	Causes DBVERIFY to send a progress display to the terminal in the form of a single period (.) for <i>n</i> number of pages verified during the DBVERIFY run. If <i>n</i> = 0, there is no progress display.
HELP	Provides online help.
PARFILE	Specifies the name of the parameter file to use. You can store various values for DBVERIFY parameters in flat files. This enables you to customize parameter files to handle different types of datafiles and to perform specific types of integrity checks on datafiles.

## Sample DBVERIFY Output For a Single Datafile

The following is a sample verification of the file `t_db1.dbf`. The feedback parameter has been given the value 100 to display one period (.) for every 100 pages processed. A portion of the resulting output is also shown.

```
% dbv FILE=t_db1.dbf FEEDBACK=100
.
.
.
DBVERIFY - Verification starting : FILE = t_db1.dbf
```

```
.....

DBVERIFY - Verification complete
```

```
Total Pages Examined          : 9216
Total Pages Processed (Data)  : 2044
Total Pages Failing   (Data)  : 0
Total Pages Processed (Index): 733
Total Pages Failing   (Index): 0
Total Pages Empty       : 5686
Total Pages Marked Corrupt  : 0

Total Pages Influx          : 0
```

#### Notes:

- Pages = Blocks
- Total Pages Examined = number of blocks in the file
- Total Pages Processed = number of blocks that were verified (formatted blocks)
- Total Pages Failing (Data) = number of blocks that failed the data block checking routine
- Total Pages Failing (Index) = number of blocks that failed the index block checking routine
- Total Pages Marked Corrupt = number of blocks for which the cache header is invalid, thereby making it impossible for DBVERIFY to identify the block type
- Total Pages Influx = number of blocks that are being read and written to at the same time. If the database is open when DBVERIFY is run, DBVERIFY reads blocks multiple times to get a consistent image. But because the database is open, there may be blocks that are being read and written to at the same time (INFLUX). DBVERIFY cannot get a consistent image of pages that are in flux.

## Using DBVERIFY to Validate a Segment

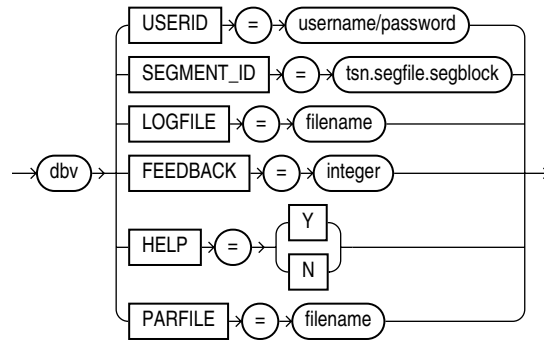
In this mode, DBVERIFY enables you to specify a table segment or index segment for verification. It checks to make sure that a row chain pointer is within the segment being verified.

This mode requires that you specify a segment (data or index) to be validated. It also requires that you log on to the database with SYSDBA privileges, because information about the segment must be retrieved from the database.

During this mode, the segment is locked. If the specified segment is an index, the parent table is locked. Note that some indexes, such as IOTs, do not have parent tables.

### Syntax

The syntax for DBVERIFY when you want to validate a segment is as follows:



## Parameters

Descriptions of the parameters are as follows:

Parameter	Description
USERID	Specifies your username and password.
SEGMENT_ID	Specifies the segment that you want to verify. It is composed of the tablespace ID number ( <i>tsn</i> ), segment header file number ( <i>segfile</i> ), and segment header block number ( <i>segblock</i> ). You can get this information from <i>SYS_USER_SEGS</i> . The relevant columns are <i>TABLESPACE_ID</i> , <i>HEADER_FILE</i> , and <i>HEADER_BLOCK</i> . You must have <i>SYSDBA</i> privileges to query <i>SYS_USER_SEGS</i> .
LOGFILE	Specifies the file to which logging information should be written. The default sends output to the terminal display.
FEEDBACK	Causes DBVERIFY to send a progress display to the terminal in the form of a single period (.) for <i>n</i> number of pages verified during the DBVERIFY run. If <i>n</i> = 0, there is no progress display.
HELP	Provides online help.
PARFILE	Specifies the name of the parameter file to use. You can store various values for DBVERIFY parameters in flat files. This enables you to customize parameter files to handle different types of datafiles and to perform specific types of integrity checks on datafiles.

## Sample DBVERIFY Output For a Validated Segment

The following is a sample of the output that would be shown for a DBVERIFY operation to validate *SEGMENT\_ID* 1.2.67.

```
DBVERIFY - Verification starting : SEGMENT_ID = 1.2.67
```

```
DBVERIFY - Verification complete
```

```

Total Pages Examined      : 8
Total Pages Processed (Data) : 0
Total Pages Failing (Data) : 0
Total Pages Processed (Index) : 1
Total Pages Failing (Index) : 0
Total Pages Processed (Other) : 2
Total Pages Processed (Seg) : 1
Total Pages Failing (Seg) : 0
Total Pages Empty        : 4

```

Total Pages Marked Corrupt : 0  
Total Pages Influx : 0  
Highest block SCN : 7358 (0.7358)





---

---

## DBNEWID Utility

DBNEWID is a database utility that can change the internal database identifier (DBID) and the database name (DBNAME) for an operational database.

This chapter contains the following sections:

- [What Is the DBNEWID Utility?](#)
- [Ramifications of Changing the DBID and DBNAME](#)
- [Changing the DBID and DBNAME of a Database](#)
- [DBNEWID Syntax](#)

### What Is the DBNEWID Utility?

Prior to the introduction of the DBNEWID utility, you could manually create a copy of a database and give it a new database name (DBNAME) by re-creating the control file. However, you could not give the database a new identifier (DBID). The DBID is an internal, unique identifier for a database. Because Recovery Manager (RMAN) distinguishes databases by DBID, you could not register a seed database and a manually copied database together in the same RMAN repository. The DBNEWID utility solves this problem by allowing you to change any of the following:

- Only the DBID of a database
- Only the DBNAME of a database
- Both the DBNAME and DBID of a database

### Ramifications of Changing the DBID and DBNAME

Changing the DBID of a database is a serious procedure. When the DBID of a database is changed, all previous backups and archived logs of the database become unusable. This is similar to creating a database except that the data is already in the datafiles. After you change the DBID, backups and archive logs that were created prior to the change can no longer be used because they still have the original DBID, which does not match the current DBID. You must open the database with the `RESETLOGS` option, which re-creates the online redo logs and resets their sequence to 1 (see *Oracle Database Administrator's Guide*). Consequently, you should make a backup of the whole database immediately after changing the DBID.

Changing the DBNAME without changing the DBID does not require you to open with the `RESETLOGS` option, so database backups and archived logs are not invalidated. However, changing the DBNAME does have consequences. You must change the `DB_NAME` initialization parameter after a database name change to reflect

the new name. Also, you may have to re-create the Oracle password file. If you restore an old backup of the control file (before the name change), then you should use the initialization parameter file and password file from before the database name change.

---

---

**Note:** Do not change the DBID or DBNAME of a database if you are using a capture process to capture changes to the database. See *Oracle Streams Concepts and Administration* for more information about capture processes.

---

---

## Considerations for Global Database Names

If you are dealing with a database in a distributed database system, then each database should have a unique global database name. *The DBNEWID utility does not change global database names.* This can only be done with the SQL `ALTER DATABASE` statement, for which the syntax is as follows:

```
ALTER DATABASE RENAME GLOBAL_NAME TO newname.domain;
```

The global database name is made up of a database name and a domain, which are determined by the `DB_NAME` and `DB_DOMAIN` initialization parameters when the database is first created.

The following example changes the database name to `sales` in the domain `us.oracle.com`:

```
ALTER DATABASE RENAME GLOBAL_NAME TO sales.us.oracle.com
```

You would do this after you finished using `DBNEWID` to change the database name.

**See Also:** *Oracle Database Administrator's Guide* for more information about global database names

## Changing the DBID and DBNAME of a Database

This section contains these topics:

- [Changing the DBID and Database Name](#)
- [Changing Only the Database ID](#)
- [Changing Only the Database Name](#)
- [Troubleshooting DBNEWID](#)

## Changing the DBID and Database Name

The following steps describe how to change the DBID of a database. Optionally, you can change the database name as well.

1. Ensure that you have a recoverable whole database backup.
2. Ensure that the target database is mounted but not open, and that it was shut down consistently prior to mounting. For example:

```
SHUTDOWN IMMEDIATE  
STARTUP MOUNT
```

3. Invoke the `DBNEWID` utility on the command line, specifying a valid user with the `SYSDBA` privilege. You will be prompted for a password. For example:

```
% nid TARGET=SYS
```

DBNEWID: Release 11.1.0.6.0 - Production on Tue Aug 21 05:25:22 2007

Copyright (c) 1982, 2007, Oracle. All rights reserved.

Password: *password*

To change the database name in addition to the DBID, also specify the DBNAME parameter on the command line. You will be prompted for a password. This example changes the database name to `test_db`:

```
% nid TARGET=SYS DBNAME=test_db
```

DBNEWID: Release 11.1.0.6.0 - Production on Tue Aug 21 05:35:18 2007

Copyright (c) 1982, 2007, Oracle. All rights reserved.

Password: *password*

The DBNEWID utility performs validations in the headers of the datafiles and control files before attempting I/O to the files. If validation is successful, then DBNEWID prompts you to confirm the operation (unless you specify a log file, in which case it does not prompt), changes the DBID (and the DBNAME, if specified, as in this example) for each datafile, including offline normal and read-only datafiles, shuts down the database, and then exits. The following is an example of what the output for this would look like:

```
.
.
.
Connected to database PROD (DBID=86997811)
.
.
.
Control Files in database:
  /oracle/TEST_DB/data/cf1.f
  /oracle/TEST_DB/data/cf2.f

The following datafiles are offline clean:
  /oracle/TEST_DB/data/tbs_61.f (23)
  /oracle/TEST_DB/data/tbs_62.f (24)
  /oracle/TEST_DB/data/temp3.f (3)
These files must be writable by this utility.

The following datafiles are read-only:
  /oracle/TEST_DB/data/tbs_51.f (15)
  /oracle/TEST_DB/data/tbs_52.f (16)
  /oracle/TEST_DB/data/tbs_53.f (22)
These files must be writable by this utility.

Changing database ID from 86997811 to 1250654267
Changing database name from PROD to TEST_DB
Control File /oracle/TEST_DB/data/cf1.f - modified
Control File /oracle/TEST_DB/data/cf2.f - modified
Datafile /oracle/TEST_DB/data/tbs_01.f - dbid changed, wrote new name
Datafile /oracle/TEST_DB/data/tbs_ax1.f - dbid changed, wrote new name
Datafile /oracle/TEST_DB/data/tbs_02.f - dbid changed, wrote new name
Datafile /oracle/TEST_DB/data/tbs_11.f - dbid changed, wrote new name
Datafile /oracle/TEST_DB/data/tbs_12.f - dbid changed, wrote new name
Datafile /oracle/TEST_DB/data/temp1.f - dbid changed, wrote new name
```

```
Control File /oracle/TEST_DB/data/cf1.f - dbid changed, wrote new name
Control File /oracle/TEST_DB/data/cf2.f - dbid changed, wrote new name
Instance shut down
```

```
Database name changed to TEST_DB.
Modify parameter file and generate a new password file before restarting.
Database ID for database TEST_DB changed to 1250654267.
All previous backups and archived redo logs for this database are unusable.
Database has been shutdown, open database with RESETLOGS option.
Successfully changed database name and ID.
DBNEWID - Completed successfully.
```

If validation is not successful, then DBNEWID terminates and leaves the target database intact, as shown in the following sample output. You can open the database, fix the error, and then either resume the DBNEWID operation or continue using the database without changing its DBID.

```
.
.
.
Connected to database PROD (DBID=86997811)
.
.
.
Control Files in database:
  /oracle/TEST_DB/data/cf1.f
  /oracle/TEST_DB/data/cf2.f

The following datafiles are offline clean:
  /oracle/TEST_DB/data/tbs_61.f (23)
  /oracle/TEST_DB/data/tbs_62.f (24)
  /oracle/TEST_DB/data/temp3.f (3)
These files must be writable by this utility.

The following datafiles are read-only:
  /oracle/TEST_DB/data/tbs_51.f (15)
  /oracle/TEST_DB/data/tbs_52.f (16)
  /oracle/TEST_DB/data/tbs_53.f (22)
These files must be writable by this utility.

The following datafiles are offline immediate:
  /oracle/TEST_DB/data/tbs_71.f (25)
  /oracle/TEST_DB/data/tbs_72.f (26)

NID-00122: Database should have no offline immediate datafiles

Change of database name failed during validation - database is intact.
DBNEWID - Completed with validation errors.
```

**4. Mount the database. For example:**

```
STARTUP MOUNT
```

**5. Open the database in RESETLOGS mode and resume normal use. For example:**

```
ALTER DATABASE OPEN RESETLOGS;
```

Make a new database backup. Because you reset the online redo logs, the old backups and archived logs are no longer usable in the current incarnation of the database.

## Changing Only the Database ID

To change the database ID without changing the database name, follow the steps in [Changing the DBID and Database Name](#) on page 17-2, but in Step 3 do not specify the optional database name (DBNAME). The following is an example of the type of output that is generated when only the database ID is changed.

```
.
.
.
Connected to database PROD (DBID=86997811)
.
.
.
Control Files in database:
  /oracle/TEST_DB/data/cf1.f
  /oracle/TEST_DB/data/cf2.f

The following datafiles are offline clean:
  /oracle/TEST_DB/data/tbs_61.f (23)
  /oracle/TEST_DB/data/tbs_62.f (24)
  /oracle/TEST_DB/data/temp3.f (3)
These files must be writable by this utility.

The following datafiles are read-only:
  /oracle/TEST_DB/data/tbs_51.f (15)
  /oracle/TEST_DB/data/tbs_52.f (16)
  /oracle/TEST_DB/data/tbs_53.f (22)
These files must be writable by this utility.

Changing database ID from 86997811 to 4004383693
Control File /oracle/TEST_DB/data/cf1.f - modified
Control File /oracle/TEST_DB/data/cf2.f - modified
Datafile /oracle/TEST_DB/data/tbs_01.f - dbid changed
Datafile /oracle/TEST_DB/data/tbs_ax1.f - dbid changed
Datafile /oracle/TEST_DB/data/tbs_02.f - dbid changed
Datafile /oracle/TEST_DB/data/tbs_11.f - dbid changed
Datafile /oracle/TEST_DB/data/tbs_12.f - dbid changed
Datafile /oracle/TEST_DB/data/temp1.f - dbid changed
Control File /oracle/TEST_DB/data/cf1.f - dbid changed
Control File /oracle/TEST_DB/data/cf2.f - dbid changed
Instance shut down

Database ID for database TEST_DB changed to 4004383693.
All previous backups and archived redo logs for this database are unusable.
Database has been shutdown, open database with RESETLOGS option.
Successfully changed database ID.
DBNEWID - Completed successfully.
```

## Changing Only the Database Name

The following steps describe how to change the database name without changing the DBID.

1. Ensure that you have a recoverable whole database backup.
2. Ensure that the target database is mounted but not open, and that it was shut down consistently prior to mounting. For example:

```
SHUTDOWN IMMEDIATE
STARTUP MOUNT
```

3. Invoke the utility on the command line, specifying a valid user with the SYSDBA privilege (you will be prompted for a password). You must specify both the DBNAME and SETNAME parameters. This example changes the name to test\_db:

```
% nid TARGET=SYS DBNAME=test_db SETNAME=YES
```

```
DBNEWID: Release 11.1.0.6.0 - Production on Tue Aug 21 05:40:21 2007
```

```
Copyright (c) 1982, 2007, Oracle. All rights reserved.
```

```
Password: password
```

DBNEWID performs validations in the headers of the control files (not the datafiles) before attempting I/O to the files. If validation is successful, then DBNEWID prompts for confirmation, changes the database name in the control files, shuts down the database and exits. The following is an example of what the output for this would look like:

```
.  
.
.
```

```
Control Files in database:
```

```
  /oracle/TEST_DB/data/cf1.f  
  /oracle/TEST_DB/data/cf2.f
```

```
The following datafiles are offline clean:
```

```
  /oracle/TEST_DB/data/tbs_61.f (23)  
  /oracle/TEST_DB/data/tbs_62.f (24)  
  /oracle/TEST_DB/data/temp3.f (3)
```

```
These files must be writable by this utility.
```

```
The following datafiles are read-only:
```

```
  /oracle/TEST_DB/data/tbs_51.f (15)  
  /oracle/TEST_DB/data/tbs_52.f (16)  
  /oracle/TEST_DB/data/tbs_53.f (22)
```

```
These files must be writable by this utility.
```

```
Changing database name from PROD to TEST_DB
```

```
Control File /oracle/TEST_DB/data/cf1.f - modified  
Control File /oracle/TEST_DB/data/cf2.f - modified  
Datafile /oracle/TEST_DB/data/tbs_01.f - wrote new name  
Datafile /oracle/TEST_DB/data/tbs_ax1.f - wrote new name  
Datafile /oracle/TEST_DB/data/tbs_02.f - wrote new name  
Datafile /oracle/TEST_DB/data/tbs_11.f - wrote new name  
Datafile /oracle/TEST_DB/data/tbs_12.f - wrote new name  
Datafile /oracle/TEST_DB/data/temp1.f - wrote new name  
Control File /oracle/TEST_DB/data/cf1.f - wrote new name  
Control File /oracle/TEST_DB/data/cf2.f - wrote new name  
Instance shut down
```

```
Database name changed to TEST_DB.
```

```
Modify parameter file and generate a new password file before restarting.
```

```
Successfully changed database name.
```

```
DBNEWID - Completed successfully.
```

If validation is not successful, then DBNEWID terminates and leaves the target database intact. You can open the database, fix the error, and then either resume the DBNEWID operation or continue using the database without changing the

database name. (For an example of what the output looks like for an unsuccessful validation, see Step 3 in [Changing the DBID and Database Name](#) on page 17-2.)

4. Set the `DB_NAME` initialization parameter in the initialization parameter file (PFILE) to the new database name.

---



---

**Note:** The DBNEWID utility does not change the server parameter file (SPFILE). Therefore, if you use `SPFILE` to start your Oracle database, you must re-create the initialization parameter file from the server parameter file, remove the server parameter file, change the `DB_NAME` in the initialization parameter file, and then re-create the server parameter file.

---



---

5. Create a new password file.
6. Start up the database and resume normal use. For example:

```
STARTUP
```

Because you have changed only the database name, and not the database ID, it is not necessary to use the `RESETLOGS` option when you open the database. This means that all previous backups are still usable.

## Troubleshooting DBNEWID

If the DBNEWID utility succeeds in its validation stage but detects an error while performing the requested change, then the utility stops and leaves the database in the middle of the change. In this case, you cannot open the database until the DBNEWID operation is either completed or reverted. DBNEWID displays messages indicating the status of the operation.

Before continuing or reverting, fix the underlying cause of the error. Sometimes the only solution is to restore the whole database from a recent backup and perform recovery to the point in time before DBNEWID was started. This underscores the importance of having a recent backup available before running DBNEWID.

If you choose to continue with the change, then re-execute your original command. The DBNEWID utility resumes and attempts to continue the change until all datafiles and control files have the new value or values. At this point, the database is shut down. You should mount it prior to opening it with the `RESETLOGS` option.

If you choose to revert a DBNEWID operation, and if the reversion succeeds, then DBNEWID reverts all performed changes and leaves the database in a mounted state.

If DBNEWID is run against a release 10.1 or later Oracle database, a summary of the operation is written to the alert file. For example, for a change of database name and database ID, you might see something similar to the following:

```
*** DBNEWID utility started ***
DBID will be changed from 86997811 to new DBID of 1250452230 for
database PROD
DBNAME will be changed from PROD to new DBNAME of TEST_DB
Starting datafile conversion
Setting recovery target incarnation to 1
Datafile conversion complete
Database name changed to TEST_DB.
Modify parameter file and generate a new password file before restarting.
Database ID for database TEST_DB changed to 1250452230.
All previous backups and archived redo logs for this database are unusable.
```

```
Database has been shutdown, open with RESETLOGS option.
Successfully changed database name and ID.
*** DBNEWID utility finished successfully ***
```

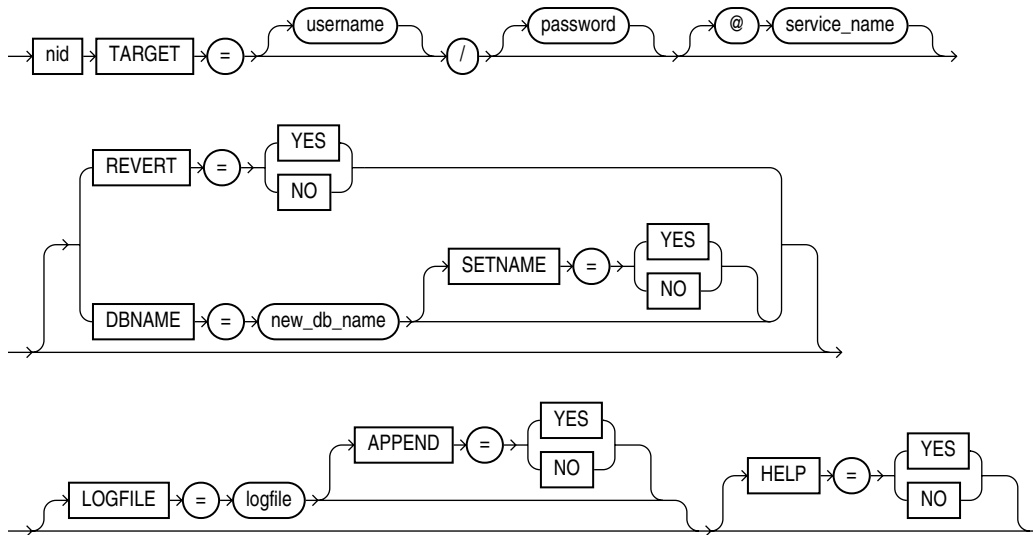
For a change of just the database name, the alert file might show something similar to the following:

```
*** DBNEWID utility started ***
DBNAME will be changed from PROD to new DBNAME of TEST_DB
Starting datafile conversion
Datafile conversion complete
Database name changed to TEST_DB.
Modify parameter file and generate a new password file before restarting.
Successfully changed database name.
*** DBNEWID utility finished successfully ***
```

```
In case of failure during DBNEWID the alert will also log the failure:
*** DBNEWID utility started ***
DBID will be changed from 86997811 to new DBID of 86966847 for database
AV3
Change of database ID failed.
Must finish change or REVERT changes before attempting any database
operation.
*** DBNEWID utility finished with errors ***
```

## DBNEWID Syntax

The following diagrams show the syntax for the DBNEWID utility.



## Parameters

Table 17-1 describes the parameters in the DBNEWID syntax.



**Table 17–1 Parameters for the DBNEWID Utility**

Parameter	Description
TARGET	Specifies the username and password used to connect to the database. The user must have the SYSDBA privilege. If you are using operating system authentication, then you can connect with the slash (/). If the \$ORACLE_HOME and \$ORACLE_SID variables are not set correctly in the environment, then you can specify a secure (IPC or BEQ) service to connect to the target database. A target database must be specified in all invocations of the DBNEWID utility.
REVERT	Specify YES to indicate that a failed change of DBID should be reverted (default is NO). The utility signals an error if no change DBID operation is in progress on the target database. A successfully completed change of DBID cannot be reverted. REVERT=YES is valid only when a DBID change failed.
DBNAME= <i>new_db_name</i>	Changes the database name of the database. You can change the DBID and the DBNAME of a database at the same time. To change only the DBNAME, also specify the SETNAME parameter.
SETNAME	Specify YES to indicate that DBNEWID should change the database name of the database but should not change the DBID (default is NO). When you specify SETNAME=YES, the utility writes only to the target database control files.
LOGFILE= <i>logfile</i>	Specifies that DBNEWID should write its messages to the specified file. By default the utility overwrites the previous log. If you specify a log file, then DBNEWID does not prompt for confirmation.
APPEND	Specify YES to append log output to the existing log file (default is NO).
HELP	Specify YES to print a list of the DBNEWID syntax options (default is NO).

## Restrictions and Usage Notes

The DBNEWID utility has the following restrictions:

- To change the DBID of a database, the database must be mounted and must have been shut down consistently prior to mounting. In the case of an Oracle Real Application Clusters database, the database must be mounted in NOPARALLEL mode.
- You must open the database with the RESETLOGS option after changing the DBID. However, you do not have to open with the RESETLOGS option after changing only the database name.
- No other process should be running against the database when DBNEWID is executing. If another session shuts down and starts the database, then DBNEWID terminates unsuccessfully.
- All online datafiles should be consistent without needing recovery.
- Normal offline datafiles should be accessible and writable. If this is not the case, you must drop these files before invoking the DBNEWID utility.
- All read-only tablespaces must be accessible and made writable at the operating system level prior to invoking DBNEWID. If these tablespaces cannot be made writable (for example, they are on a CD-ROM), then you must unplug the tablespaces using the transportable tablespace feature and then plug them back in the database before invoking the DBNEWID utility (see the *Oracle Database Administrator's Guide*).
- The DBNEWID utility does not change global database names. See [Considerations for Global Database Names](#) on page 17-2.

## Additional Restrictions for Releases Prior to Oracle Database 10g

The following additional restrictions apply if the DBNEWID utility is run against an Oracle Database release prior to 10.1:

- The `nid` executable file should be owned and run by the Oracle owner because it needs direct access to the datafiles and control files. If another user runs the utility, then set the user ID to the owner of the datafiles and control files.
- The DBNEWID utility must access the datafiles of the database directly through a local connection. Although DBNEWID can accept a net service name, it cannot change the DBID of a nonlocal database.

---

---

## Using LogMiner to Analyze Redo Log Files

Oracle LogMiner, which is part of Oracle Database, enables you to query online and archived redo log files through a SQL interface. Redo log files contain information about the history of activity on a database.

This chapter contains the following sections:

- [LogMiner Benefits](#)
- [Introduction to LogMiner](#)
- [LogMiner Dictionary Files and Redo Log Files](#)
- [Starting LogMiner](#)
- [Querying V\\$LOGMNR\\_CONTENTS for Redo Data of Interest](#)
- [Filtering and Formatting Data Returned to V\\$LOGMNR\\_CONTENTS](#)
- [Reapplying DDL Statements Returned to V\\$LOGMNR\\_CONTENTS](#)
- [Calling DBMS\\_LOGMNR.START\\_LOGMNR Multiple Times](#)
- [Supplemental Logging](#)
- [Accessing LogMiner Operational Information in Views](#)
- [Steps in a Typical LogMiner Session](#)
- [Examples Using LogMiner](#)
- [Supported Datatypes, Storage Attributes, and Database and Redo Log File Versions](#)

This chapter describes LogMiner as it is used from the command line. You can also access LogMiner through the Oracle LogMiner Viewer graphical user interface. Oracle LogMiner Viewer is a part of Oracle Enterprise Manager. See the Oracle Enterprise Manager online Help for more information about Oracle LogMiner Viewer.

### LogMiner Benefits

All changes made to user data or to the database dictionary are recorded in the Oracle redo log files so that database recovery operations can be performed.

Because LogMiner provides a well-defined, easy-to-use, and comprehensive relational interface to redo log files, it can be used as a powerful data audit tool, as well as a tool for sophisticated data analysis. The following list describes some key capabilities of LogMiner:

- Pinpointing when a logical corruption to a database, such as errors made at the application level, may have begun. These might include errors such as those

where the wrong rows were deleted because of incorrect values in a `WHERE` clause, rows were updated with incorrect values, the wrong index was dropped, and so forth. For example, a user application could mistakenly update a database to give all employees 100 percent salary increases rather than 10 percent increases, or a database administrator (DBA) could accidentally delete a critical system table. It is important to know exactly when an error was made so that you know when to initiate time-based or change-based recovery. This enables you to restore the database to the state it was in just before corruption. See [Querying V\\$LOGMNR\\_CONTENTS Based on Column Values](#) on page 18-13 for details about how you can use LogMiner to accomplish this.

- Determining what actions you would have to take to perform fine-grained recovery at the transaction level. If you fully understand and take into account existing dependencies, it may be possible to perform a table-specific undo operation to return the table to its original state. This is achieved by applying table-specific reconstructed SQL statements that LogMiner provides in the reverse order from which they were originally issued. See [Scenario 1: Using LogMiner to Track Changes Made by a Specific User](#) on page 18-66 for an example.

Normally you would have to restore the table to its previous state, and then apply an archived redo log file to roll it forward.

- Performance tuning and capacity planning through trend analysis. You can determine which tables get the most updates and inserts. That information provides a historical perspective on disk access statistics, which can be used for tuning purposes. See [Scenario 2: Using LogMiner to Calculate Table Access Statistics](#) on page 18-67 for an example.
- Performing postauditing. LogMiner can be used to track any data manipulation language (DML) and data definition language (DDL) statements executed on the database, the order in which they were executed, and who executed them. (However, to use LogMiner for such a purpose, you need to have an idea when the event occurred so that you can specify the appropriate logs for analysis; otherwise you might have to mine a large number of redo log files, which can take a long time. Consider using LogMiner as a complementary activity to auditing database use. See the *Oracle Database Administrator's Guide* for information about database auditing.)

## Introduction to LogMiner

The following sections provide a brief introduction to LogMiner, including the following topics:

- [LogMiner Configuration](#)
- [Directing LogMiner Operations and Retrieving Data of Interest](#)

The remaining sections in this chapter describe these concepts and related topics in more detail.

## LogMiner Configuration

There are four basic objects in a LogMiner configuration that you should be familiar with: the source database, the mining database, the LogMiner dictionary, and the redo log files containing the data of interest:

- The **source database** is the database that produces all the redo log files that you want LogMiner to analyze.

- The **mining database** is the database that LogMiner uses when it performs the analysis.
- The **LogMiner dictionary** allows LogMiner to provide table and column names, instead of internal object IDs, when it presents the redo log data that you request.

LogMiner uses the dictionary to translate internal object identifiers and datatypes to object names and external data formats. Without a dictionary, LogMiner returns internal object IDs and presents data as binary data.

For example, consider the following the SQL statement:

```
INSERT INTO HR.JOBS(JOB_ID, JOB_TITLE, MIN_SALARY, MAX_SALARY)
VALUES('IT_WT','Technical Writer', 4000, 11000);
```

Without the dictionary, LogMiner will display:

```
insert into "UNKNOWN"."OBJ# 45522"("COL 1","COL 2","COL 3","COL 4") values
(HEXTORAW('45465f4748'),HEXTORAW('546563686e6963616c20577269746572'),
HEXTORAW('c229'),HEXTORAW('c3020b'));
```

- The **redo log files** contain the changes made to the database or database dictionary.

### Sample Configuration

Figure 18-1 shows a sample LogMiner configuration. In this figure, the source database in Boston generates redo log files that are archived and shipped to a database in San Francisco. A LogMiner dictionary has been extracted to these redo log files. The mining database, where LogMiner will actually analyze the redo log files, is in San Francisco. The Boston database is running Oracle9i, and the San Francisco database is running Oracle Database 10g.

**Figure 18-1 Sample LogMiner Database Configuration**

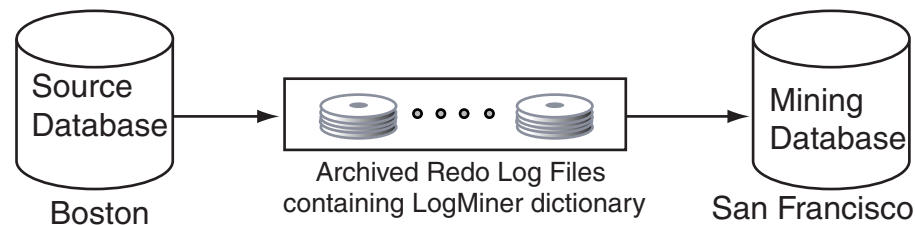


Figure 18-1 shows just one valid LogMiner configuration. Other valid configurations are those that use the same database for both the source and mining database, or use another method for providing the data dictionary. These other data dictionary options are described in the section about [LogMiner Dictionary Options](#) on page 18-5.

### Requirements

The following are requirements for the source and mining database, the data dictionary, and the redo log files that LogMiner will mine:

- Source and mining database
  - Both the source database and the mining database must be running on the same hardware platform.
  - The mining database can be the same as, or completely separate from, the source database.

- The mining database must run the same version or a later version of the Oracle Database software as the source database.
- The mining database must use the same character set (or a superset of the character set) used by the source database.
- LogMiner dictionary
  - The dictionary must be produced by the same source database that generates the redo log files that LogMiner will analyze.
- All redo log files:
  - Must be produced by the same source database.
  - Must be associated with the same database `RESETLOGS` `SCN`.
  - Must be from a release 8.0 or later Oracle Database. However, several of the LogMiner features introduced as of release 9.0.1 work only with redo log files produced on an Oracle9i or later database. See [Supported Databases and Redo Log File Versions](#) on page 18-69.

LogMiner does not allow you to mix redo log files from different databases or to use a dictionary from a different database than the one that generated the redo log files to be analyzed.

---

---

**Note:** You must enable supplemental logging prior to generating log files that will be analyzed by LogMiner.

When you enable supplemental logging, additional information is recorded in the redo stream that is needed to make the information in the redo log files useful to you. Therefore, at the very least, you must enable minimal supplemental logging, as the following SQL statement shows:

```
ALTER DATABASE ADD SUPPLEMENTAL LOG DATA;
```

To determine whether supplemental logging is enabled, query the `V$DATABASE` view, as the following SQL statement shows:

```
SELECT SUPPLEMENTAL_LOG_DATA_MIN FROM V$DATABASE;
```

If the query returns a value of `YES` or `IMPLICIT`, minimal supplemental logging is enabled. See [Supplemental Logging](#) on page 18-26 for complete information about supplemental logging.

---

---

## Directing LogMiner Operations and Retrieving Data of Interest

You direct LogMiner operations using the `DBMS_LOGMNR` and `DBMS_LOGMNR_D` PL/SQL packages, and retrieve data of interest using the `V$LOGMNR_CONTENTS` view, as follows:

1. Specify a LogMiner dictionary.
  - Use the `DBMS_LOGMNR_D.BUILD` procedure or specify the dictionary when you start LogMiner (in Step 3), or both, depending on the type of dictionary you plan to use.
2. Specify a list of redo log files for analysis.
  - Use the `DBMS_LOGMNR.ADD_LOGFILE` procedure, or direct LogMiner to create a list of log files for analysis automatically when you start LogMiner (in Step 3).

3. Start LogMiner.

Use the `DBMS_LOGMNR.START_LOGMNR` procedure.

4. Request the redo data of interest.

Query the `V$LOGMNR_CONTENTS` view. (You must have the `SELECT ANY TRANSACTION` privilege to query this view.)

5. End the LogMiner session.

Use the `DBMS_LOGMNR.END_LOGMNR` procedure.

You must have been granted the `EXECUTE_CATALOG_ROLE` role to use the LogMiner PL/SQL packages and to query the `V$LOGMNR_CONTENTS` view.

---

---

**Note:** When mining a specified time or SCN range of interest within archived logs generated by an Oracle RAC database, you must ensure that you have specified all archived logs from all redo threads that were active during that time or SCN range. If you fail to do this, any queries of `V$LOGMNR_CONTENTS` will return only partial results (based on the archived logs specified to LogMiner through the `DBMS_LOGMNR.ADD_LOGFILE` procedure). This restriction is also in effect when you are mining the archived logs at the source database using the `CONTINUOUS_MINE` option. You should only use `CONTINUOUS_MINE` on an Oracle RAC database if no thread is being enabled or disabled.

---

---

**See Also:** [Steps in a Typical LogMiner Session](#) on page 18-37 for an example of using LogMiner

## LogMiner Dictionary Files and Redo Log Files

Before you begin using LogMiner, it is important to understand how LogMiner works with the LogMiner dictionary file (or files) and redo log files. This will help you to get accurate results and to plan the use of your system resources.

The following concepts are discussed in this section:

- [LogMiner Dictionary Options](#)
- [Redo Log File Options](#)

### LogMiner Dictionary Options

LogMiner requires a dictionary to translate object IDs into object names when it returns redo data to you. LogMiner gives you three options for supplying the dictionary:

- [Using the Online Catalog](#)

Oracle recommends that you use this option when you will have access to the source database from which the redo log files were created and when no changes to the column definitions in the tables of interest are anticipated. This is the most efficient and easy-to-use option.

- [Extracting a LogMiner Dictionary to the Redo Log Files](#)

Oracle recommends that you use this option when you do not expect to have access to the source database from which the redo log files were created, or if you

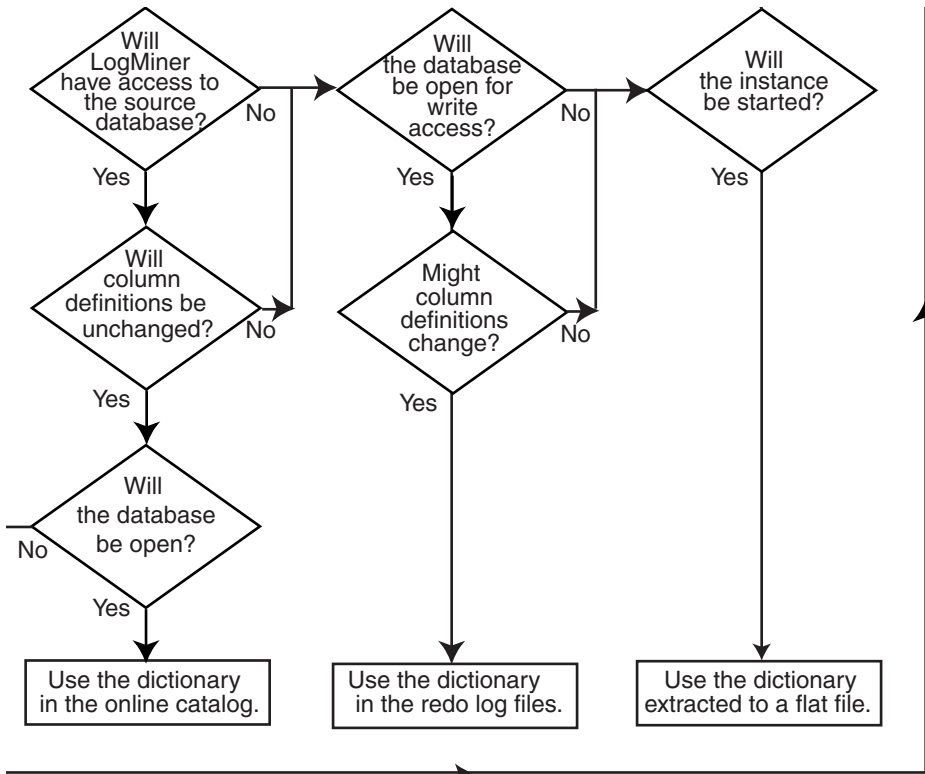
anticipate that changes will be made to the column definitions in the tables of interest.

- **Extracting the LogMiner Dictionary to a Flat File**

This option is maintained for backward compatibility with previous releases. This option does not guarantee transactional consistency. Oracle recommends that you use either the online catalog or extract the dictionary from redo log files instead.

Figure 18–2 shows a decision tree to help you select a LogMiner dictionary, depending on your situation.

**Figure 18–2 Decision Tree for Choosing a LogMiner Dictionary**



The following sections provide instructions on how to specify each of the available dictionary options.

### Using the Online Catalog

To direct LogMiner to use the dictionary currently in use for the database, specify the online catalog as your dictionary source when you start LogMiner, as follows:

```
EXECUTE DBMS_LOGMNR.START_LOGMNR (-
    OPTIONS => DBMS_LOGMNR.DICT_FROM_ONLINE_CATALOG);
```

In addition to using the online catalog to analyze online redo log files, you can use it to analyze archived redo log files, if you are on the same system that generated the archived redo log files.

The online catalog contains the latest information about the database and may be the fastest way to start your analysis. Because DDL operations that change important



tables are somewhat rare, the online catalog generally contains the information you need for your analysis.

Remember, however, that the online catalog can only reconstruct SQL statements that are executed on the latest version of a table. As soon as a table is altered, the online catalog no longer reflects the previous version of the table. This means that LogMiner will not be able to reconstruct any SQL statements that were executed on the previous version of the table. Instead, LogMiner generates nonexecutable SQL (including hexadecimal-to-raw formatting of binary values) in the `SQL_REDO` column of the `V$LOGMNR_CONTENTS` view similar to the following example:

```
insert into HR.EMPLOYEES(col#1, col#2) values (hextoraw('4a6f686e20446f65'),
hextoraw('c306'));"
```

The online catalog option requires that the database be open.

The online catalog option is not valid with the `DDL_DICT_TRACKING` option of `DBMS_LOGMNR.START_LOGMNR`.

### Extracting a LogMiner Dictionary to the Redo Log Files

To extract a LogMiner dictionary to the redo log files, the database must be open and in `ARCHIVELOG` mode and archiving must be enabled. While the dictionary is being extracted to the redo log stream, no DDL statements can be executed. Therefore, the dictionary extracted to the redo log files is guaranteed to be consistent (whereas the dictionary extracted to a flat file is not).

To extract dictionary information to the redo log files, execute the PL/SQL `DBMS_LOGMNR_D.BUILD` procedure with the `STORE_IN_REDO_LOGS` option. Do not specify a filename or location.

```
EXECUTE DBMS_LOGMNR_D.BUILD( -
OPTIONS=> DBMS_LOGMNR_D.STORE_IN_REDO_LOGS);
```

**See Also:** *Oracle Database Backup and Recovery Basics* for more information about `ARCHIVELOG` mode and the *Oracle Database PL/SQL Packages and Types Reference* for a complete description of the `DBMS_LOGMNR_D.BUILD` procedure

The process of extracting the dictionary to the redo log files does consume database resources, but if you limit the extraction to off-peak hours, this should not be a problem, and it is faster than extracting to a flat file. Depending on the size of the dictionary, it may be contained in multiple redo log files. If the relevant redo log files have been archived, you can find out which redo log files contain the start and end of an extracted dictionary. To do so, query the `V$ARCHIVED_LOG` view, as follows:

```
SELECT NAME FROM V$ARCHIVED_LOG WHERE DICTIONARY_BEGIN='YES';
SELECT NAME FROM V$ARCHIVED_LOG WHERE DICTIONARY_END='YES';
```

Specify the names of the start and end redo log files, and possibly other logs in between them, with the `ADD_LOGFILE` procedure when you are preparing to begin a LogMiner session.

Oracle recommends that you periodically back up the redo log files so that the information is saved and available at a later date. Ideally, this will not involve any extra steps because if your database is being properly managed, there should already be a process in place for backing up and restoring archived redo log files. Again, because of the time required, it is good practice to do this during off-peak hours.

## Extracting the LogMiner Dictionary to a Flat File

When the LogMiner dictionary is in a flat file, fewer system resources are used than when it is contained in the redo log files. Oracle recommends that you regularly back up the dictionary extract to ensure correct analysis of older redo log files.

To extract database dictionary information to a flat file, use the `DBMS_LOGMNR_D.BUILD` procedure with the `STORE_IN_FLAT_FILE` option.

Be sure that no DDL operations occur while the dictionary is being built.

The following steps describe how to extract a dictionary to a flat file. Steps 1 and 2 are preparation steps. You only need to do them once, and then you can extract a dictionary to a flat file as many times as you wish.

1. The `DBMS_LOGMNR_D.BUILD` procedure requires access to a directory where it can place the dictionary file. Because PL/SQL procedures do not normally access user directories, you must specify a directory for use by the `DBMS_LOGMNR_D.BUILD` procedure or the procedure will fail. To specify a directory, set the initialization parameter, `UTL_FILE_DIR`, in the initialization parameter file.

**See Also:** *Oracle Database Reference* for more information about the initialization parameter file (`init.ora`) and the *Oracle Database PL/SQL Packages and Types Reference* for a complete description of the `DBMS_LOGMNR_D.BUILD` procedure

For example, to set `UTL_FILE_DIR` to use `/oracle/database` as the directory where the dictionary file is placed, place the following in the initialization parameter file:

```
UTL_FILE_DIR = /oracle/database
```

Remember that for the changes to the initialization parameter file to take effect, you must stop and restart the database.

2. If the database is closed, use SQL\*Plus to mount and then open the database whose redo log files you want to analyze. For example, entering the `SQL STARTUP` command mounts and opens the database:

```
STARTUP
```

3. Execute the PL/SQL procedure `DBMS_LOGMNR_D.BUILD`. Specify a filename for the dictionary and a directory path name for the file. This procedure creates the dictionary file. For example, enter the following to create the file `dictionary.ora` in `/oracle/database`:

```
EXECUTE DBMS_LOGMNR_D.BUILD('dictionary.ora', -  
    '/oracle/database/', -  
    DBMS_LOGMNR_D.STORE_IN_FLAT_FILE);
```

You could also specify a filename and location without specifying the `STORE_IN_FLAT_FILE` option. The result would be the same.

## Redo Log File Options

To mine data in the redo log files, LogMiner needs information about which redo log files to mine. Changes made to the database that are found in these redo log files are delivered to you through the `V$LOGMNR_CONTENTS` view.

You can direct LogMiner to automatically and dynamically create a list of redo log files to analyze, or you can explicitly specify a list of redo log files for LogMiner to analyze, as follows:

- Automatically

If LogMiner is being used on the source database, then you can direct LogMiner to find and create a list of redo log files for analysis automatically. Use the `CONTINUOUS_MINE` option when you start LogMiner with the `DBMS_LOGMNR.START_LOGMNR` procedure, and specify a time or SCN range. Although this example specifies the dictionary from the online catalog, any LogMiner dictionary can be used.

---

**Note:** The `CONTINUOUS_MINE` option requires that the database be mounted and that archiving be enabled.

---

LogMiner will use the database control file to find and add redo log files that satisfy your specified time or SCN range to the LogMiner redo log file list. For example:

```
ALTER SESSION SET NLS_DATE_FORMAT = 'DD-MON-YYYY HH24:MI:SS';
EXECUTE DBMS_LOGMNR.START_LOGMNR( -
    STARTTIME => '01-Jan-2003 08:30:00', -
    ENDTIME => '01-Jan-2003 08:45:00', -
    OPTIONS => DBMS_LOGMNR.DICT_FROM_ONLINE_CATALOG + -
    DBMS_LOGMNR.CONTINUOUS_MINE);
```

(To avoid the need to specify the date format in the PL/SQL call to the `DBMS_LOGMNR.START_LOGMNR` procedure, this example uses the SQL `ALTER SESSION SET NLS_DATE_FORMAT` statement first.)

You can also direct LogMiner to automatically build a list of redo log files to analyze by specifying just one redo log file using `DBMS_LOGMNR.ADD_LOGFILE`, and then specifying the `CONTINUOUS_MINE` option when you start LogMiner. The previously described method is more typical, however.

- Manually

Use the `DBMS_LOGMNR.ADD_LOGFILE` procedure to manually create a list of redo log files before you start LogMiner. After the first redo log file has been added to the list, each subsequently added redo log file must be from the same database and associated with the same database `RESETLOGS` SCN. When using this method, LogMiner need not be connected to the source database.

For example, to start a new list of redo log files, specify the `NEW` option of the `DBMS_LOGMNR.ADD_LOGFILE` PL/SQL procedure to signal that this is the beginning of a new list. For example, enter the following to specify `/oracle/logs/log1.f`:

```
EXECUTE DBMS_LOGMNR.ADD_LOGFILE( -
    LOGFILENAME => '/oracle/logs/log1.f', -
    OPTIONS => DBMS_LOGMNR.NEW);
```

If desired, add more redo log files by specifying the `ADDFILE` option of the PL/SQL `DBMS_LOGMNR.ADD_LOGFILE` procedure. For example, enter the following to add `/oracle/logs/log2.f`:

```
EXECUTE DBMS_LOGMNR.ADD_LOGFILE( -
    LOGFILENAME => '/oracle/logs/log2.f', -
    OPTIONS => DBMS_LOGMNR.ADDFILE);
```

To determine which redo log files are being analyzed in the current LogMiner session, you can query the `V$LOGMNR_LOGS` view, which contains one row for each redo log file.

## Starting LogMiner

You call the `DBMS_LOGMNR.START_LOGMNR` procedure to start LogMiner. Because the options available with the `DBMS_LOGMNR.START_LOGMNR` procedure allow you to control output to the `V$LOGMNR_CONTENTS` view, you must call `DBMS_LOGMNR.START_LOGMNR` before querying the `V$LOGMNR_CONTENTS` view.

When you start LogMiner, you can:

- Specify how LogMiner should filter data it returns (for example, by starting and ending time or SCN value)
- Specify options for formatting the data returned by LogMiner
- Specify the LogMiner dictionary to use

The following list is a summary of LogMiner settings that you can specify with the `OPTIONS` parameter to `DBMS_LOGMNR.START_LOGMNR` and where to find more information about them.

- `DICTIONARY_FROM_ONLINE_CATALOG` — See [Using the Online Catalog](#) on page 18-6
- `DICTIONARY_FROM_REDO_LOGS` — See [Start LogMiner](#) on page 18-39
- `CONTINUOUS_MINE` — See [Redo Log File Options](#) on page 18-8
- `COMMITTED_DATA_ONLY` — See [Showing Only Committed Transactions](#) on page 18-20
- `SKIP_CORRUPTION` — See [Skipping Redo Corruptions](#) on page 18-22
- `NO_SQL_DELIMITER` — See [Formatting Reconstructed SQL Statements for Re-execution](#) on page 18-24
- `PRINT_PRETTY_SQL` — See [Formatting the Appearance of Returned Data for Readability](#) on page 18-24
- `NO_ROWID_IN_STMT` — See [Formatting Reconstructed SQL Statements for Re-execution](#) on page 18-24
- `DDL_DICT_TRACKING` — See [Tracking DDL Statements in the LogMiner Dictionary](#) on page 18-31

When you execute the `DBMS_LOGMNR.START_LOGMNR` procedure, LogMiner checks to ensure that the combination of options and parameters that you have specified is valid and that the dictionary and redo log files that you have specified are available. However, the `V$LOGMNR_CONTENTS` view is not populated until you query the view, as described in [How the V\\$LOGMNR\\_CONTENTS View Is Populated](#) on page 18-12.

Note that parameters and options are not persistent across calls to `DBMS_LOGMNR.START_LOGMNR`. You must specify all desired parameters and options (including SCN and time ranges) each time you call `DBMS_LOGMNR.START_LOGMNR`.

## Querying V\$LOGMNR\_CONTENTS for Redo Data of Interest

You access the redo data of interest by querying the `V$LOGMNR_CONTENTS` view. (Note that you must have the `SELECT ANY TRANSACTION` privilege to query

V\$LOGMNR\_CONTENTS.) This view provides historical information about changes made to the database, including (but not limited to) the following:

- The type of change made to the database: INSERT, UPDATE, DELETE, or DDL (OPERATION column).
- The SCN at which a change was made (SCN column).
- The SCN at which a change was committed (COMMIT\_SCN column).
- The transaction to which a change belongs (XIDUSN, XIDSLT, and XIDSQN columns).
- The table and schema name of the modified object (SEG\_NAME and SEG\_OWNER columns).
- The name of the user who issued the DDL or DML statement to make the change (USERNAME column).
- If the change was due to a SQL DML statement, the reconstructed SQL statements showing SQL DML that is equivalent (but not necessarily identical) to the SQL DML used to generate the redo records (SQL\_REDO column).
- If a password is part of the statement in a SQL\_REDO column, the password is encrypted. SQL\_REDO column values that correspond to DDL statements are always identical to the SQL DDL used to generate the redo records.
- If the change was due to a SQL DML change, the reconstructed SQL statements showing the SQL DML statements needed to undo the change (SQL\_UNDO column).

SQL\_UNDO columns that correspond to DDL statements are always NULL. The SQL\_UNDO column may be NULL also for some datatypes and for rolled back operations.

---

**Note:** LogMiner supports transparent data encryption (TDE) in that V\$LOGMNR\_CONTENTS shows DML operations performed on tables with encrypted columns (including the encrypted columns being updated), provided the LogMiner data dictionary contains the metadata for the object in question and provided the appropriate master key is in the Oracle Wallet. The Oracle Wallet must be open or V\$LOGMNR\_CONTENTS cannot interpret the associated redo records. TDE support is not available if the database is not open (either read-only or read-write).

---

### Example of Querying V\$LOGMNR\_CONTENTS

Suppose you wanted to find out about any delete operations that a user named Ron had performed on the oe.orders table. You could issue a SQL query similar to the following:

```
SELECT OPERATION, SQL_REDO, SQL_UNDO
   FROM V$LOGMNR_CONTENTS
  WHERE SEG_OWNER = 'OE' AND SEG_NAME = 'ORDERS' AND
        OPERATION = 'DELETE' AND USERNAME = 'RON';
```

The following output would be produced. The formatting may be different on your display than that shown here.

```
OPERATION  SQL_REDO  SQL_UNDO
```

```

DELETE      delete from "OE"."ORDERS"      insert into "OE"."ORDERS"
           where "ORDER_ID" = '2413'      ("ORDER_ID", "ORDER_MODE",
           and "ORDER_MODE" = 'direct'    "CUSTOMER_ID", "ORDER_STATUS",
           and "CUSTOMER_ID" = '101'      "ORDER_TOTAL", "SALES_REP_ID",
           and "ORDER_STATUS" = '5'      "PROMOTION_ID")
           and "ORDER_TOTAL" = '48552'    values ('2413', 'direct', '101',
           and "SALES_REP_ID" = '161'    '5', '48552', '161', NULL);
           and "PROMOTION_ID" IS NULL
           and ROWID = 'AAAHTCAABAAAZAPAAAN';

DELETE      delete from "OE"."ORDERS"      insert into "OE"."ORDERS"
           where "ORDER_ID" = '2430'      ("ORDER_ID", "ORDER_MODE",
           and "ORDER_MODE" = 'direct'    "CUSTOMER_ID", "ORDER_STATUS",
           and "CUSTOMER_ID" = '101'      "ORDER_TOTAL", "SALES_REP_ID",
           and "ORDER_STATUS" = '8'      "PROMOTION_ID")
           and "ORDER_TOTAL" = '29669.9'  values('2430', 'direct', '101',
           and "SALES_REP_ID" = '159'    '8', '29669.9', '159', NULL);
           and "PROMOTION_ID" IS NULL
           and ROWID = 'AAAHTCAABAAAZAPAAe';

```

This output shows that user Ron deleted two rows from the `oe.orders` table. The reconstructed SQL statements are equivalent, but not necessarily identical, to the actual statement that Ron issued. The reason for this is that the original `WHERE` clause is not logged in the redo log files, so LogMiner can only show deleted (or updated or inserted) rows individually.

Therefore, even though a single `DELETE` statement may have been responsible for the deletion of both rows, the output in `V$LOGMNR_CONTENTS` does not reflect that. Thus, the actual `DELETE` statement may have been `DELETE FROM OE.ORDERS WHERE CUSTOMER_ID = '101'` or it might have been `DELETE FROM OE.ORDERS WHERE PROMOTION_ID = NULL`.

## How the V\$LOGMNR\_CONTENTS View Is Populated

The `V$LOGMNR_CONTENTS` fixed view is unlike other views in that it is not a selective presentation of data stored in a table. Instead, it is a relational presentation of the data that you request from the redo log files. LogMiner populates the view only in response to a query against it. You must successfully start LogMiner before you can query `V$LOGMNR_CONTENTS`.

When a SQL select operation is executed against the `V$LOGMNR_CONTENTS` view, the redo log files are read sequentially. Translated information from the redo log files is returned as rows in the `V$LOGMNR_CONTENTS` view. This continues until either the filter criteria specified at startup are met or the end of the redo log file is reached.

In some cases, certain columns in `V$LOGMNR_CONTENTS` may not be populated. For example:

- The `TABLE_SPACE` column is not populated for rows where the value of the `OPERATION` column is `DDL`. This is because a `DDL` may operate on more than one tablespace. For example, a table can be created with multiple partitions spanning multiple table spaces; hence it would not be accurate to populate the column.
- LogMiner does not generate SQL redo or SQL undo for temporary tables. The `SQL_REDO` column will contain the string `/* No SQL_REDO for temporary tables */` and the `SQL_UNDO` column will contain the string `/* No SQL_UNDO for temporary tables */`.

LogMiner returns all the rows in SCN order unless you have used the `COMMITTED_DATA_ONLY` option to specify that only committed transactions should be retrieved. SCN order is the order normally applied in media recovery.

**See Also:** [Showing Only Committed Transactions](#) on page 18-20 for more information about the `COMMITTED_DATA_ONLY` option to `DBMS_LOGMNR.START_LOGMNR`

---

**Note:** Because LogMiner populates the `V$LOGMNR_CONTENTS` view only in response to a query and does not store the requested data in the database, the following is true:

- Every time you query `V$LOGMNR_CONTENTS`, LogMiner analyzes the redo log files for the data you request.
  - The amount of memory consumed by the query is not dependent on the number of rows that must be returned to satisfy a query.
  - The time it takes to return the requested data is dependent on the amount and type of redo log data that must be mined to find that data.
- 

For the reasons stated in the previous note, Oracle recommends that you create a table to temporarily hold the results from a query of `V$LOGMNR_CONTENTS` if you need to maintain the data for further analysis, particularly if the amount of data returned by a query is small in comparison to the amount of redo data that LogMiner must analyze to provide that data.

## Querying V\$LOGMNR\_CONTENTS Based on Column Values

LogMiner lets you make queries based on column values. For instance, you can perform a query to show all updates to the `hr.employees` table that increase `salary` more than a certain amount. Data such as this can be used to analyze system behavior and to perform auditing tasks.

LogMiner data extraction from redo log files is performed using two mine functions: `DBMS_LOGMNR.MINE_VALUE` and `DBMS_LOGMNR.COLUMN_PRESENT`. Support for these mine functions is provided by the `REDO_VALUE` and `UNDO_VALUE` columns in the `V$LOGMNR_CONTENTS` view.

The following is an example of how you could use the `MINE_VALUE` function to select all updates to `hr.employees` that increased the `salary` column to more than twice its original value:

```
SELECT SQL_REDO FROM V$LOGMNR_CONTENTS
WHERE
  SEG_NAME = 'EMPLOYEES' AND
  SEG_OWNER = 'HR' AND
  OPERATION = 'UPDATE' AND
  DBMS_LOGMNR.MINE_VALUE(REDO_VALUE, 'HR.EMPLOYEES.SALARY') >
  2*DBMS_LOGMNR.MINE_VALUE(UNDO_VALUE, 'HR.EMPLOYEES.SALARY');
```

As shown in this example, the `MINE_VALUE` function takes two arguments:

- The first one specifies whether to mine the redo (`REDO_VALUE`) or undo (`UNDO_VALUE`) portion of the data. The redo portion of the data is the data that is in the

column after an insert, update, or delete operation; the undo portion of the data is the data that was in the column before an insert, update, or delete operation. It may help to think of the REDO\_VALUE as the new value and the UNDO\_VALUE as the old value.

- The second argument is a string that specifies the fully qualified name of the column to be mined (in this case, hr.employees.salary). The MINE\_VALUE function always returns a string that can be converted back to the original datatype.

### The Meaning of NULL Values Returned by the MINE\_VALUE Function

If the MINE\_VALUE function returns a NULL value, it can mean either:

- The specified column is not present in the redo or undo portion of the data.
- The specified column is present and has a null value.

To distinguish between these two cases, use the DBMS\_LOGMNR.COLUMN\_PRESENT function which returns a 1 if the column is present in the redo or undo portion of the data. Otherwise, it returns a 0. For example, suppose you wanted to find out the increment by which the values in the salary column were modified and the corresponding transaction identifier. You could issue the following SQL query:

```
SELECT
(XIDUSN || '.' || XIDSLT || '.' || XIDSQN) AS XID,
(DBMS_LOGMNR.MINE_VALUE(REDO_VALUE, 'HR.EMPLOYEES.SALARY') -
DBMS_LOGMNR.MINE_VALUE(UNDO_VALUE, 'HR.EMPLOYEES.SALARY')) AS INCR_SAL
FROM V$LOGMNR_CONTENTS
WHERE
OPERATION = 'UPDATE' AND
DBMS_LOGMNR.COLUMN_PRESENT(REDO_VALUE, 'HR.EMPLOYEES.SALARY') = 1 AND
DBMS_LOGMNR.COLUMN_PRESENT(UNDO_VALUE, 'HR.EMPLOYEES.SALARY') = 1;
```

### Usage Rules for the MINE\_VALUE and COLUMN\_PRESENT Functions

The following usage rules apply to the MINE\_VALUE and COLUMN\_PRESENT functions:

- They can only be used within a LogMiner session.
- They must be invoked in the context of a select operation from the V\$LOGMNR\_CONTENTS view.
- They do not support LONG, LONG RAW, CLOB, BLOB, NCLOB, ADT, or COLLECTION datatypes.

**See Also:** *Oracle Database PL/SQL Packages and Types Reference* for a description of the DBMS\_LOGMNR package, which contains the MINE\_VALUE and COLUMN\_PRESENT functions

## Querying V\$LOGMNR\_CONTENTS Based on XMLType Columns and Tables

LogMiner supports XMLType data when it is stored as a CLOB. Unlike LOB data, XML documents cannot be inserted as empty and then incrementally appended to with each piece of the document. Therefore, the XML document must be assembled and then inserted in its entirety.

To meet this requirement, LogMiner presents the SQL\_REDO in V\$LOGMNR\_CONTENTS for the DML statement with a bind variable to represent the XML data. This is then followed by one or more rows that contain the pieces of the XML document.



## Querying V\$LOGMNR\_CONTENTS For Changes to Tables With XMLType Columns

The example in this section is for a table named XML\_CLOB\_COL\_TAB that has the following columns:

- f1 NUMBER
- f2 VARCHAR2(100)
- f3 XMLTYPE
- f4 XMLTYPE
- f5 VARCHAR2(10)

Assume that a LogMiner session has been started with the logs and with the COMMITTED\_DATA\_ONLY option. The following query is executed against V\$LOGMNR\_CONTENTS for changes to the XML\_CLOB\_COL\_TAB table.

```
SELECT OPERATION, STATUS, SQL_REDO FROM V$LOGMNR_CONTENTS
       WHERE SEG_OWNER = 'SCOTT' AND TABLE_NAME = 'XML_CLOB_COL_TAB';
```

The query output looks similar to the following:

OPERATION	STATUS	SQL_REDO
INSERT	0	insert into "SCOTT"."XML_CLOB_COL_TAB" ("F1", "F2", "F5") values ('5010', 'Aho40431', 'PETER')
XML DOC BEGIN	5	update "SCOTT"."XML_CLOB_COL_TAB" a set a."F3" = XMLType(:1) where a."F1" = '5010' and a."F2" = 'Aho40431' and a."F5" = 'PETER'
XML DOC WRITE	5	XML Data
XML DOC WRITE	5	XML Data
XML DOC WRITE	5	XML Data
XML DOC END	5	

In the SQL\_REDO columns for the XML DOC WRITE operations there will be actual data for the XML document. It will not be the string 'XML Data'.

This output shows that the general model for an insert into a table with an XMLType column is the following:

1. An initial insert with all of the scalar columns.
2. An XML DOC BEGIN operation with an update statement that sets the value for one XMLType column using a bind variable.
3. One or more XML DOC WRITE operations with the data for the XML document.
4. An XML DOC END operation to indicate that all of the data for that XML document has been seen.
5. If there is more than one XMLType column in the table, then steps 2 through 4 will be repeated for each XMLType column that is modified by the original DML.

If the XML document is not stored as an out-of-line column, then there will be no XML DOC BEGIN, XML DOC WRITE, or XML DOC END operations for that column. The document will be included in an update statement similar to the following:

OPERATION	STATUS	SQL_REDO
-----------	--------	----------

```

UPDATE      0      update "SCOTT"."XML_CLOB_COL_TAB" a
              set a."F3" = XMLType('<?xml version="1.0"?>
              <PO pono="1">
              <PNAME>Po_99</PNAME>
              <CUSTNAME>Dave Davids</CUSTNAME>
              </PO>')
              where a."F1" = '5006' and a."F2" = 'Janosik' and a."F5" = 'MMM'
    
```

### Queries V\$LOGMNR\_CONTENTS For Changes to XMLType Tables

DMLs to XMLType tables are slightly different from DMLs to XMLType columns. The XML document represents the value for the row in the XMLType table. Unlike the XMLType column case, an initial insert cannot be done which is then followed by an update containing the XML document. Rather, the whole document must be assembled before anything can be inserted into the table.

Another difference for XMLType tables is the presence of the OBJECT\_ID column. An object identifier is used to uniquely identify every object in an object table. For XMLType tables stored as CLOBs, this value is generated by Oracle Database when the row is inserted into the table. The OBJECT\_ID value cannot be directly inserted into the table using SQL. Therefore, LogMiner cannot generate SQL\_REDO which is executable that includes this value.

The V\$LOGMNR\_CONTENTS view has a new OBJECT\_ID column which is populated for changes to XMLType tables. This value is the object identifier from the original table. However, even if this same XML document is inserted into the same XMLType table, a new object identifier will be generated. The SQL\_REDO for subsequent DMLs, such as updates and deletes, on the XMLType table will include the object identifier in the WHERE clause to uniquely identify the row from the original table.

The following shows an example of mining changes to an XMLType table stored as CLOB:

```

select operation, status, object_id, sql_redo from v$logmnr_contents
where seg_owner = 'SCOTT' and table_name = 'XML_TYPE_CLOB_TAB';
    
```

OPERATION	STATUS	OBJECT_ID	SQL_REDO
INSERT	2	300A9394B0F7B2D0E040578CF5025CC3	insert into "SCOTT"."XML_TYPE_CLOB_TAB" values (EMPTY_CLOB())
XML DOC BEGIN	5	300A9394B0F7B2D0E040578CF5025CC3	insert into "SCOTT"."XML_TYPE_CLOB_TAB" values (XMLType(:1))
XML DOC WRITE	5	300A9394B0F7B2D0E040578CF5025CC3	XML Data
XML DOC WRITE	5	300A9394B0F7B2D0E040578CF5025CC3	XML Data
XML DOC WRITE	5	300A9394B0F7B2D0E040578CF5025CC3	XML Data
XML DOC END	5		

The general pattern is very similar to XMLType columns. However, there are a few key differences. The first is that now the OBJECT\_ID column is populated. The second difference is that there is an initial insert, but its status is 2 for INVALID\_SQL. This indicates that this record occurs in the redo as a placeholder for the change to come, but that the SQL generated for this change should not be applied. The SQL\_REDO from the XML DOC BEGIN operation reflects the changes that were made to the row when used with the assembled XML document.

If the XML document is not stored as an out-of-line column, then there will be no XML DOC BEGIN, XML DOC WRITE, or XML DOC END operations for that document. The document will be included in an INSERT statement similar to the following:

OPERATION	STATUS	OBJECT_ID	SQL_REDO
INSERT	2	300AD8CECBA75ACAE040578CF502640C	insert into "SCOTT"."XML_TYPE_CLOB_TAB" values (EMPTY_CLOB())
INSERT	0	300AD8CECBA75ACAE040578CF502640C	insert into "SCOTT"."XML_TYPE_CLOB_TAB" values (XMLType( '<?xml version="1.0"?> <PO pono="1"> <PNAME>Po_99</PNAME> <CUSTNAME> Dave Davids </CUSTNAME> </PO>'))

### Restrictions When Using LogMiner With XMLType Data

Mining XMLType data should only be done when using the DBMS\_LOGMNR.COMMITTED\_DATA\_ONLY option. Otherwise, incomplete changes could be displayed or changes which should be displayed as XML might be displayed as CLOB changes due to missing parts of the row change. This can lead to incomplete and invalid SQL\_REDO for these SQL DML statements.

The SQL\_UNDO column is not populated for changes to XMLType data.

### Example of a PL/SQL Procedure for Assembling XMLType Data

The example presented in this section shows a procedure that can be used to mine and assemble XML redo for tables that contain out of line XML data. This shows how to assemble the XML data using a temporary LOB. Once the XML document is assembled, it can be used in a meaningful way. This example queries the assembled document for the EmployeeName element and then stores the returned name, the XML document and the SQL\_REDO for the original DML in the EMPLOYEE\_XML\_DOCS table.

---

**Note:** This procedure is an example only and is simplified. It is only intended to illustrate that DMLs to tables with XMLType data can be mined and assembled using LogMiner.

---

Before calling this procedure, all of the relevant logs must be added to a LogMiner session and DBMS\_LOGMNR.START\_LOGMNR() must be called with the COMMITTED\_DATA\_ONLY option. The MINE\_AND\_ASSEMBLE() procedure can then be called with the schema and table name of the table that has XML data to be mined.

```
-- table to store assembled XML documents
create table employee_xml_docs (
  employee_name      varchar2(100),
  sql_stmt           varchar2(4000),
  xml_doc            SYS.XMLType);

-- procedure to assemble the XML documents
create or replace procedure mine_and_assemble(
  schemaname         in varchar2,
  tablename          in varchar2)
```

```

AS
loc_c      CLOB;
row_op     VARCHAR2(100);
row_status NUMBER;
stmt       VARCHAR2(4000);
row_redo   VARCHAR2(4000);
xml_data   VARCHAR2(32767 CHAR);
data_len   NUMBER;
xml_lob    clob;
xml_doc    XMLType;
BEGIN

-- Look for the rows in V$LOGMNR_CONTENTS that are for the appropriate schema
-- and table name but limit it to those that are valid sql or that need assembly
-- because they are XML documents.

For item in ( SELECT operation, status, sql_redo FROM v$logmnr_contents
where seg_owner = schemaname and table_name = tablename
and status IN (DBMS_LOGMNR.VALID_SQL, DBMS_LOGMNR.ASSEMBLY_REQUIRED_SQL))
LOOP
    row_op := item.operation;
    row_status := item.status;
    row_redo := item.sql_redo;

    CASE row_op

        WHEN 'XML DOC BEGIN' THEN
            BEGIN
                -- save statement and begin assembling XML data
                stmt := row_redo;
                xml_data := '';
                data_len := 0;
                DBMS_LOB.CreateTemporary(xml_lob, TRUE);
            END;

        WHEN 'XML DOC WRITE' THEN
            BEGIN
                -- Continue to assemble XML data
                xml_data := xml_data || row_redo;
                data_len := data_len + length(row_redo);
                DBMS_LOB.WriteAppend(xml_lob, length(row_redo), row_redo);
            END;

        WHEN 'XML DOC END' THEN
            BEGIN
                -- Now that assembly is complete, we can use the XML document
                xml_doc := XMLType.createXML(xml_lob);
                insert into employee_xml_docs values
                    (extractvalue(xml_doc, '/EMPLOYEE/NAME'), stmt, xml_doc);
                commit;

                -- reset
                xml_data := '';
                data_len := 0;
                xml_lob := NULL;
            END;

        WHEN 'INSERT' THEN
            BEGIN
                stmt := row_redo;
    
```

```

END;

WHEN 'UPDATE' THEN
BEGIN
    stmt := row_redo;
END;

WHEN 'INTERNAL' THEN
    DBMS_OUTPUT.PUT_LINE('Skip rows marked INTERNAL');

ELSE
BEGIN
    stmt := row_redo;
    DBMS_OUTPUT.PUT_LINE('Other - ' || stmt);
    IF row_status != DBMS_LOGMNR.VALID_SQL then
        DBMS_OUTPUT.PUT_LINE('Skip rows marked non-executable');
    ELSE
        dbms_output.put_line('Status : ' || row_status);
    END IF;
END;

END CASE;

End LOOP;

End;
/

show errors;

```

This procedure can then be called to mine the changes to the SCOTT.XML\_DATA\_TAB and apply the DMLs.

```
EXECUTE MINE_AND_ASSEMBLE ('SCOTT', 'XML_DATA_TAB');
```

As a result of this procedure, the EMPLOYEE\_XML\_DOCS table will have a row for each out-of-line XML column that was changed. The EMPLOYEE\_NAME column will have the value extracted from the XML document and the SQL\_STMT column and the XML\_DOC column reflect the original row change.

The following is an example query to the resulting table that displays only the employee name and SQL statement:

```
SELECT EMPLOYEE_NAME, SQL_STMT FROM EMPLOYEE_XML_DOCS;
```

EMPLOYEE_NAME	SQL_STMT
Scott Davis	update "SCOTT"."XML_DATA_TAB" a set a."F3" = XMLType(:1) where a."F1" = '5000' and a."F2" = 'Chen' and a."F5" = 'JJJ'
Richard Harry	update "SCOTT"."XML_DATA_TAB" a set a."F4" = XMLType(:1) where a."F1" = '5000' and a."F2" = 'Chen' and a."F5" = 'JJJ'
Margaret Sally	update "SCOTT"."XML_DATA_TAB" a set a."F4" = XMLType(:1) where a."F1" = '5006' and a."F2" = 'Janosik' and a."F5" = 'MMM'

## Filtering and Formatting Data Returned to V\$LOGMNR\_CONTENTS

LogMiner can potentially deal with large amounts of information. You can limit the information that is returned to the V\$LOGMNR\_CONTENTS view, and the speed at

which it is returned. The following sections demonstrate how to specify these limits and their impact on the data returned when you query V\$LOGMNR\_CONTENTS.

- [Showing Only Committed Transactions](#)
- [Skipping Redo Corruptions](#)
- [Filtering Data by Time](#)
- [Filtering Data by SCN](#)

In addition, LogMiner offers features for formatting the data that is returned to V\$LOGMNR\_CONTENTS, as described in the following sections:

- [Formatting Reconstructed SQL Statements for Re-execution](#)
- [Formatting the Appearance of Returned Data for Readability](#)

You request each of these filtering and formatting features using parameters or options to the DBMS\_LOGMNR.START\_LOGMNR procedure.

## Showing Only Committed Transactions

When you use the COMMITTED\_DATA\_ONLY option to DBMS\_LOGMNR.START\_LOGMNR, only rows belonging to committed transactions are shown in the V\$LOGMNR\_CONTENTS view. This enables you to filter out rolled back transactions, transactions that are in progress, and internal operations.

To enable this option, specify it when you start LogMiner, as follows:

```
EXECUTE DBMS_LOGMNR.START_LOGMNR(OPTIONS => -
    DBMS_LOGMNR.COMMITTED_DATA_ONLY);
```

When you specify the COMMITTED\_DATA\_ONLY option, LogMiner groups together all DML operations that belong to the same transaction. Transactions are returned in the order in which they were committed.

---

---

**Note:** If the COMMITTED\_DATA\_ONLY option is specified and you issue a query, LogMiner stages all redo records within a single transaction in memory until LogMiner finds the commit record for that transaction. Therefore, it is possible to exhaust memory, in which case an "Out of Memory" error will be returned. If this occurs, you must restart LogMiner without the COMMITTED\_DATA\_ONLY option specified and reissue the query.

---

---

The default is for LogMiner to show rows corresponding to all transactions and to return them in the order in which they are encountered in the redo log files.

For example, suppose you start LogMiner without specifying the COMMITTED\_DATA\_ONLY option and you execute the following query:

```
SELECT (XIDUSN || '.' || XIDSLT || '.' || XIDSQN) AS XID,
       USERNAME, SQL_REDO FROM V$LOGMNR_CONTENTS WHERE USERNAME != 'SYS'
       AND SEG_OWNER IS NULL OR SEG_OWNER NOT IN ('SYS', 'SYSTEM');
```

The output is as follows. Both committed and uncommitted transactions are returned and rows from different transactions are interwoven.

```
XID          USERNAME  SQL_REDO
1.15.3045    RON        set transaction read write;
```

```

1.15.3045  RON      insert into "HR"."JOBS"("JOB_ID","JOB_TITLE",
"MIN_SALARY","MAX_SALARY") values ('9782',
'HR_ENTRY',NULL,NULL);
1.18.3046  JANE      set transaction read write;
1.18.3046  JANE      insert into "OE"."CUSTOMERS"("CUSTOMER_ID",
"CUST_FIRST_NAME","CUST_LAST_NAME",
"CUST_ADDRESS","PHONE_NUMBERS","NLS_LANGUAGE",
"NLS_TERRITORY","CREDIT_LIMIT","CUST_EMAIL",
"ACCOUNT_MGR_ID") values ('9839','Edgar',
'Cummings',NULL,NULL,NULL,NULL,
NULL,NULL,NULL);
1.9.3041   RAJIV     set transaction read write;
1.9.3041   RAJIV     insert into "OE"."CUSTOMERS"("CUSTOMER_ID",
"CUST_FIRST_NAME","CUST_LAST_NAME","CUST_ADDRESS",
"PHONE_NUMBERS","NLS_LANGUAGE","NLS_TERRITORY",
"CREDIT_LIMIT","CUST_EMAIL","ACCOUNT_MGR_ID")
values ('9499','Rodney','Emerson',NULL,NULL,NULL,NULL,
NULL,NULL,NULL);
1.15.3045  RON      commit;
1.8.3054   RON      set transaction read write;
1.8.3054   RON      insert into "HR"."JOBS"("JOB_ID","JOB_TITLE",
"MIN_SALARY","MAX_SALARY") values ('9566',
'FI_ENTRY',NULL,NULL);
1.18.3046  JANE      commit;
1.11.3047  JANE      set transaction read write;
1.11.3047  JANE      insert into "OE"."CUSTOMERS"("CUSTOMER_ID",
"CUST_FIRST_NAME","CUST_LAST_NAME",
"CUST_ADDRESS","PHONE_NUMBERS","NLS_LANGUAGE",
"NLS_TERRITORY","CREDIT_LIMIT","CUST_EMAIL",
"ACCOUNT_MGR_ID") values ('8933','Ronald',
'Frost',NULL,NULL,NULL,NULL,NULL,NULL);
1.11.3047  JANE      commit;
1.8.3054   RON      commit;

```

Now suppose you start LogMiner, but this time you specify the `COMMITTED_DATA_ONLY` option. If you execute the previous query again, the output is as follows:

```

1.15.3045  RON      set transaction read write;
1.15.3045  RON      insert into "HR"."JOBS"("JOB_ID","JOB_TITLE",
"MIN_SALARY","MAX_SALARY") values ('9782',
'HR_ENTRY',NULL,NULL);
1.15.3045  RON      commit;
1.18.3046  JANE      set transaction read write;
1.18.3046  JANE      insert into "OE"."CUSTOMERS"("CUSTOMER_ID",
"CUST_FIRST_NAME","CUST_LAST_NAME",
"CUST_ADDRESS","PHONE_NUMBERS","NLS_LANGUAGE",
"NLS_TERRITORY","CREDIT_LIMIT","CUST_EMAIL",
"ACCOUNT_MGR_ID") values ('9839','Edgar',
'Cummings',NULL,NULL,NULL,NULL,
NULL,NULL,NULL);
1.18.3046  JANE      commit;
1.11.3047  JANE      set transaction read write;
1.11.3047  JANE      insert into "OE"."CUSTOMERS"("CUSTOMER_ID",
"CUST_FIRST_NAME","CUST_LAST_NAME",
"CUST_ADDRESS","PHONE_NUMBERS","NLS_LANGUAGE",
"NLS_TERRITORY","CREDIT_LIMIT","CUST_EMAIL",
"ACCOUNT_MGR_ID") values ('8933','Ronald',
'Frost',NULL,NULL,NULL,NULL,NULL,NULL);
1.11.3047  JANE      commit;
1.8.3054   RON      set transaction read write;
1.8.3054   RON      insert into "HR"."JOBS"("JOB_ID","JOB_TITLE",

```

```
                "MIN_SALARY", "MAX_SALARY") values ('9566',
                'FI_ENTRY', NULL, NULL);
1.8.3054      RON      commit;
```

Because the COMMIT statement for the 1.15.3045 transaction was issued before the COMMIT statement for the 1.18.3046 transaction, the entire 1.15.3045 transaction is returned first. This is true even though the 1.18.3046 transaction started before the 1.15.3045 transaction. None of the 1.9.3041 transaction is returned because a COMMIT statement was never issued for it.

**See Also:** See [Examples Using LogMiner](#) on page 18-41 for a complete example that uses the COMMITTED\_DATA\_ONLY option

## Skipping Redo Corruptions

When you use the SKIP\_CORRUPTION option to DBMS\_LOGMNR.START\_LOGMNR, any corruptions in the redo log files are skipped during select operations from the V\$LOGMNR\_CONTENTS view. For every corrupt redo record encountered, a row is returned that contains the value CORRUPTED\_BLOCKS in the OPERATION column, 1343 in the STATUS column, and the number of blocks skipped in the INFO column.

Be aware that the skipped records may include changes to ongoing transactions in the corrupted blocks; such changes will not be reflected in the data returned from the V\$LOGMNR\_CONTENTS view.

The default is for the select operation to terminate at the first corruption it encounters in the redo log file.

The following SQL example shows how this option works:

```
-- Add redo log files of interest.
--
EXECUTE DBMS_LOGMNR.ADD_LOGFILE(-
    logfilename => '/usr/oracle/data/dblarch_1_16_482701534.log' -
    options => DBMS_LOGMNR.NEW);

-- Start LogMiner
--
EXECUTE DBMS_LOGMNR.START_LOGMNR();

-- Select from the V$LOGMINER_CONTENTS view. This example shows corruptions are --
-- in the redo log files.
--
SELECT rbasqn, rbablk, rbabyte, operation, status, info
    FROM V$LOGMNR_CONTENTS;

ERROR at line 3:
ORA-00368: checksum error in redo log block
ORA-00353: log corruption near block 6 change 73528 time 11/06/2002 11:30:23
ORA-00334: archived log: /usr/oracle/data/dbarch1_16_482701534.log

-- Restart LogMiner. This time, specify the SKIP_CORRUPTION option.
--
EXECUTE DBMS_LOGMNR.START_LOGMNR(-
    options => DBMS_LOGMNR.SKIP_CORRUPTION);

-- Select from the V$LOGMINER_CONTENTS view again. The output indicates that
-- corrupted blocks were skipped: CORRUPTED_BLOCKS is in the OPERATION
-- column, 1343 is in the STATUS column, and the number of corrupt blocks
-- skipped is in the INFO column.
```



```
--
SELECT rbasqn, rbablk, rbabyte, operation, status, info
       FROM V$LOGMNR_CONTENTS;

RBASQN  RBABLK  RBABYTE  OPERATION          STATUS  INFO
-----  -----  -
13       2         76      START              0
13       2         76      DELETE             0
13       3        100     INTERNAL           0
13       3        380     DELETE             0
13       0         0       CORRUPTED_BLOCKS  1343   corrupt blocks 4 to 19 skipped
13      20        116     UPDATE             0
```

## Filtering Data by Time

To filter data by time, set the `STARTTIME` and `ENDTIME` parameters in the `DBMS_LOGMNR.START_LOGMNR` procedure.

To avoid the need to specify the date format in the call to the PL/SQL `DBMS_LOGMNR.START_LOGMNR` procedure, you can use the SQL `ALTER SESSION SET NLS_DATE_FORMAT` statement first, as shown in the following example.

```
ALTER SESSION SET NLS_DATE_FORMAT = 'DD-MON-YYYY HH24:MI:SS';
EXECUTE DBMS_LOGMNR.START_LOGMNR( -
    DICTFILENAME => '/oracle/database/dictionary.ora', -
    STARTTIME   => '01-Jan-1998 08:30:00', -
    ENDTIME     => '01-Jan-1998 08:45:00' -
    OPTIONS     => DBMS_LOGMNR.CONTINUOUS_MINE);
```

The timestamps should not be used to infer ordering of redo records. You can infer the order of redo records by using the SCN.

### See Also:

- [Examples Using LogMiner](#) on page 18-41 for a complete example of filtering data by time
- *Oracle Database PL/SQL Packages and Types Reference* for information about what happens if you specify starting and ending times and they are not found in the LogMiner redo log file list, and for information about how these parameters interact with the `CONTINUOUS_MINE` option

## Filtering Data by SCN

To filter data by SCN (system change number), use the `STARTSCN` and `ENDSCN` parameters to the PL/SQL `DBMS_LOGMNR.START_LOGMNR` procedure, as shown in this example:

```
EXECUTE DBMS_LOGMNR.START_LOGMNR(-
    STARTSCN => 621047, -
    ENDSN    => 625695, -
    OPTIONS  => DBMS_LOGMNR.DICT_FROM_ONLINE_CATALOG + -
              DBMS_LOGMNR.CONTINUOUS_MINE);
```

The `STARTSCN` and `ENDSCN` parameters override the `STARTTIME` and `ENDTIME` parameters in situations where all are specified.

**See Also:**

- [Examples Using LogMiner](#) on page 18-41 for a complete example of filtering data by SCN
- *Oracle Database PL/SQL Packages and Types Reference* for information about what happens if you specify starting and ending SCN values and they are not found in the LogMiner redo log file list and for information about how these parameters interact with the CONTINUOUS\_MINE option

## Formatting Reconstructed SQL Statements for Re-execution

By default, a ROWID clause is included in the reconstructed SQL\_REDO and SQL\_UNDO statements and the statements are ended with a semicolon.

However, you can override the default settings, as follows:

- Specify the NO\_ROWID\_IN\_STMT option when you start LogMiner.  
This excludes the ROWID clause from the reconstructed statements. Because row IDs are not consistent between databases, if you intend to re-execute the SQL\_REDO or SQL\_UNDO statements against a different database than the one against which they were originally executed, specify the NO\_ROWID\_IN\_STMT option when you start LogMiner.
- Specify the NO\_SQL\_DELIMITER option when you start LogMiner.  
This suppresses the semicolon from the reconstructed statements. This is helpful for applications that open a cursor and then execute the reconstructed statements.

Note that if the STATUS field of the V\$LOGMNR\_CONTENTS view contains the value 2 (invalid sql), then the associated SQL statement cannot be executed.

## Formatting the Appearance of Returned Data for Readability

Sometimes a query can result in a large number of columns containing reconstructed SQL statements, which can be visually busy and hard to read. LogMiner provides the PRINT\_PRETTY\_SQL option to address this problem. The PRINT\_PRETTY\_SQL option to the DBMS\_LOGMNR.START\_LOGMNR procedure formats the reconstructed SQL statements as follows, which makes them easier to read:

```
insert into "HR"."JOBS"
values
  "JOB_ID" = '9782',
  "JOB_TITLE" = 'HR_ENTRY',
  "MIN_SALARY" IS NULL,
  "MAX_SALARY" IS NULL;
update "HR"."JOBS"
set
  "JOB_TITLE" = 'FI_ENTRY'
where
  "JOB_TITLE" = 'HR_ENTRY' and
  ROWID = 'AAAHSeAABAAAY+CAAX';

update "HR"."JOBS"
set
  "JOB_TITLE" = 'FI_ENTRY'
where
  "JOB_TITLE" = 'HR_ENTRY' and
  ROWID = 'AAAHSeAABAAAY+CAAX';
```

```
delete from "HR"."JOBS"
where
  "JOB_ID" = '9782' and
  "JOB_TITLE" = 'FI_ENTRY' and
  "MIN_SALARY" IS NULL and
  "MAX_SALARY" IS NULL and
  ROWID = 'AAAHSeAABAAAY+CAAX';
```

SQL statements that are reconstructed when the `PRINT_PRETTY_SQL` option is enabled are not executable, because they do not use standard SQL syntax.

**See Also:** [Examples Using LogMiner](#) on page 18-41 for a complete example of using the `PRINT_PRETTY_SQL` option

## Reapplying DDL Statements Returned to V\$LOGMNR\_CONTENTS

Be aware that some DDL statements issued by a user cause Oracle to internally execute one or more other DDL statements. If you want to reapply SQL DDL from the `SQL_REDO` or `SQL_UNDO` columns of the `V$LOGMNR_CONTENTS` view as it was originally applied to the database, you should not execute statements that were executed internally by Oracle.

---

**Note:** If you execute DML statements that were executed internally by Oracle you may corrupt your database. See Step 5 of [Example 4: Using the LogMiner Dictionary in the Redo Log Files](#) on page 18-48 for an example.

---

To differentiate between DDL statements that were issued by a user from those that were issued internally by Oracle, query the `INFO` column of `V$LOGMNR_CONTENTS`. The value of the `INFO` column indicates whether the DDL was executed by a user or by Oracle.

If you want to reapply SQL DDL as it was originally applied, you should only re-execute the DDL SQL contained in the `SQL_REDO` or `SQL_UNDO` column of `V$LOGMNR_CONTENTS` if the `INFO` column contains the value `USER_DDL`.

## Calling DBMS\_LOGMNR.START\_LOGMNR Multiple Times

Even after you have successfully called `DBMS_LOGMNR.START_LOGMNR` and selected from the `V$LOGMNR_CONTENTS` view, you can call `DBMS_LOGMNR.START_LOGMNR` again without ending the current LogMiner session and specify different options and time or SCN ranges. The following list presents reasons why you might want to do this:

- You want to limit the amount of redo data that LogMiner has to analyze.
- You want to specify different options. For example, you might decide to specify the `PRINT_PRETTY_SQL` option or that you only want to see committed transactions (so you specify the `COMMITTED_DATA_ONLY` option).
- You want to change the time or SCN range to be analyzed.

The following examples illustrate situations where it might be useful to call `DBMS_LOGMNR.START_LOGMNR` multiple times.

**Example 1 Mining Only a Subset of the Data in the Redo Log Files**

Suppose the list of redo log files that LogMiner has to mine include those generated for an entire week. However, you want to analyze only what happened from 12:00 to 1:00 each day. You could do this most efficiently by:

1. Calling `DBMS_LOGMNR.START_LOGMNR` with this time range for Monday.
2. Selecting changes from the `V$LOGMNR_CONTENTS` view.
3. Repeating Steps 1 and 2 for each day of the week.

If the total amount of redo data is large for the week, then this method would make the whole analysis much faster, because only a small subset of each redo log file in the list would be read by LogMiner.

**Example 1 Adjusting the Time Range or SCN Range**

Suppose you specify a redo log file list and specify a time (or SCN) range when you start LogMiner. When you query the `V$LOGMNR_CONTENTS` view, you find that only part of the data of interest is included in the time range you specified. You can call `DBMS_LOGMNR.START_LOGMNR` again to expand the time range by an hour (or adjust the SCN range).

**Example 2 Analyzing Redo Log Files As They Arrive at a Remote Database**

Suppose you have written an application to analyze changes or to replicate changes from one database to another database. The source database sends its redo log files to the mining database and drops them into an operating system directory. Your application:

1. Adds all redo log files currently in the directory to the redo log file list
2. Calls `DBMS_LOGMNR.START_LOGMNR` with appropriate settings and selects from the `V$LOGMNR_CONTENTS` view
3. Adds additional redo log files that have newly arrived in the directory
4. Repeats Steps 2 and 3, indefinitely

## Supplemental Logging

Redo log files are generally used for instance recovery and media recovery. The data needed for such operations is automatically recorded in the redo log files. However, a redo-based application may require that additional columns be logged in the redo log files. The process of logging these additional columns is called **supplemental logging**.

By default, Oracle Database does not provide any supplemental logging, which means that by default LogMiner is not usable. Therefore, you must enable at least minimal supplemental logging prior to generating log files which will be analyzed by LogMiner.

The following are examples of situations in which additional columns may be needed:

- An application that applies reconstructed SQL statements to a different database must identify the update statement by a set of columns that uniquely identify the row (for example, a primary key), not by the `ROWID` shown in the reconstructed SQL returned by the `V$LOGMNR_CONTENTS` view, because the `ROWID` of one database will be different and therefore meaningless in another database.
- An application may require that the before-image of the whole row be logged, not just the modified columns, so that tracking of row changes is more efficient.

A **supplemental log group** is the set of additional columns to be logged when supplemental logging is enabled. There are two types of supplemental log groups that determine when columns in the log group are logged:

- **Unconditional supplemental log groups:** The before-images of specified columns are logged any time a row is updated, regardless of whether the update affected any of the specified columns. This is sometimes referred to as an ALWAYS log group.
- **Conditional supplemental log groups:** The before-images of all specified columns are logged only if at least one of the columns in the log group is updated.

Supplemental log groups can be system-generated or user-defined.

In addition to the two types of supplemental logging, there are two levels of supplemental logging, as described in the following sections:

- [Database-Level Supplemental Logging](#) on page 18-27
- [Table-Level Supplemental Logging](#) on page 18-29

**See Also:** [Querying Views for Supplemental Logging Settings](#) on page 18-36

## Database-Level Supplemental Logging

There are two types of database-level supplemental logging: minimal supplemental logging and identification key logging, as described in the following sections. Minimal supplemental logging does not impose significant overhead on the database generating the redo log files. However, enabling database-wide identification key logging can impose overhead on the database generating the redo log files. Oracle recommends that you at least enable minimal supplemental logging for LogMiner.

### Minimal Supplemental Logging

Minimal supplemental logging logs the minimal amount of information needed for LogMiner to identify, group, and merge the redo operations associated with DML changes. It ensures that LogMiner (and any product building on LogMiner technology) has sufficient information to support chained rows and various storage arrangements, such as cluster tables and index-organized tables. To enable minimal supplemental logging, execute the following SQL statement:

```
ALTER DATABASE ADD SUPPLEMENTAL LOG DATA;
```

---

**Note:** In Oracle Database release 9.0.1, minimal supplemental logging was the default behavior in LogMiner. In release 9.2 and later, the default is no supplemental logging. Supplemental logging must be specifically enabled.

---

### Database-Level Identification Key Logging

Identification key logging is necessary when redo log files will not be mined at the source database instance, for example, when the redo log files will be mined at a logical standby database.

Using database identification key logging, you can enable database-wide before-image logging for all updates by specifying one or more of the following options to the SQL `ALTER DATABASE ADD SUPPLEMENTAL LOG` statement:

- ALL system-generated unconditional supplemental log group

This option specifies that when a row is updated, all columns of that row (except for LOBs, LONGS, and ADTs) are placed in the redo log file.

To enable all column logging at the database level, execute the following statement:

```
SQL> ALTER DATABASE ADD SUPPLEMENTAL LOG DATA (ALL) COLUMNS;
```

- PRIMARY KEY system-generated unconditional supplemental log group

This option causes the database to place all columns of a row's primary key in the redo log file whenever a row containing a primary key is updated (even if no value in the primary key has changed).

If a table does not have a primary key, but has one or more non-null unique index key constraints or index keys, then one of the unique index keys is chosen for logging as a means of uniquely identifying the row being updated.

If the table has neither a primary key nor a non-null unique index key, then all columns except LONG and LOB are supplementally logged; this is equivalent to specifying ALL supplemental logging for that row. Therefore, Oracle recommends that when you use database-level primary key supplemental logging, all or most tables be defined to have primary or unique index keys.

To enable primary key logging at the database level, execute the following statement:

```
SQL> ALTER DATABASE ADD SUPPLEMENTAL LOG DATA (PRIMARY KEY) COLUMNS;
```

- UNIQUE system-generated conditional supplemental log group

This option causes the database to place all columns of a row's composite unique key or bitmap index in the redo log file if any column belonging to the composite unique key or bitmap index is modified. The unique key can be due to either a unique constraint or a unique index.

To enable unique index key and bitmap index logging at the database level, execute the following statement:

```
SQL> ALTER DATABASE ADD SUPPLEMENTAL LOG DATA (UNIQUE) COLUMNS;
```

- FOREIGN KEY system-generated conditional supplemental log group

This option causes the database to place all columns of a row's foreign key in the redo log file if any column belonging to the foreign key is modified.

To enable foreign key logging at the database level, execute the following SQL statement:

```
ALTER DATABASE ADD SUPPLEMENTAL LOG DATA (FOREIGN KEY) COLUMNS;
```

---

---

**Note:** Regardless of whether or not identification key logging is enabled, the SQL statements returned by LogMiner always contain the ROWID clause. You can filter out the ROWID clause by using the NO\_ROWID\_IN\_STMT option to the DBMS\_LOGMNR.START\_LOGMNR procedure call. See [Formatting Reconstructed SQL Statements for Re-execution](#) on page 18-24 for details.

---

---

Keep the following in mind when you use identification key logging:

- If the database is open when you enable identification key logging, all DML cursors in the cursor cache are invalidated. This can affect performance until the cursor cache is repopulated.
- When you enable identification key logging at the database level, minimal supplemental logging is enabled implicitly.
- Supplemental logging statements are cumulative. If you issue the following SQL statements, both primary key and unique key supplemental logging is enabled:

```
ALTER DATABASE ADD SUPPLEMENTAL LOG DATA (PRIMARY KEY) COLUMNS;
ALTER DATABASE ADD SUPPLEMENTAL LOG DATA (UNIQUE) COLUMNS;
```

## Disabling Database-Level Supplemental Logging

You disable database-level supplemental logging using the SQL `ALTER DATABASE` statement with the `DROP SUPPLEMENTAL LOGGING` clause. You can drop supplemental logging attributes incrementally. For example, suppose you issued the following SQL statements, in the following order:

```
ALTER DATABASE ADD SUPPLEMENTAL LOG DATA (PRIMARY KEY) COLUMNS;
ALTER DATABASE ADD SUPPLEMENTAL LOG DATA (UNIQUE) COLUMNS;
ALTER DATABASE DROP SUPPLEMENTAL LOG DATA (PRIMARY KEY) COLUMNS;
ALTER DATABASE DROP SUPPLEMENTAL LOG DATA;
```

The statements would have the following effects:

- After the first statement, primary key supplemental logging is enabled.
- After the second statement, primary key and unique key supplemental logging are enabled.
- After the third statement, only unique key supplemental logging is enabled.
- After the fourth statement, all supplemental logging is not disabled. The following error is returned: `ORA-32589: unable to drop minimal supplemental logging`.

To disable all database supplemental logging, you must first disable any identification key logging that has been enabled, then disable minimal supplemental logging. The following example shows the correct order:

```
ALTER DATABASE ADD SUPPLEMENTAL LOG DATA (PRIMARY KEY) COLUMNS;
ALTER DATABASE ADD SUPPLEMENTAL LOG DATA (UNIQUE) COLUMNS;
ALTER DATABASE DROP SUPPLEMENTAL LOG DATA (PRIMARY KEY) COLUMNS;
ALTER DATABASE DROP SUPPLEMENTAL LOG DATA (UNIQUE) COLUMNS;
ALTER DATABASE DROP SUPPLEMENTAL LOG DATA;
```

Dropping minimal supplemental log data is allowed only if no other variant of database-level supplemental logging is enabled.

## Table-Level Supplemental Logging

Table-level supplemental logging specifies, at the table level, which columns are to be supplementally logged. You can use identification key logging or user-defined conditional and unconditional supplemental log groups to log supplemental information, as described in the following sections.

### Table-Level Identification Key Logging

Identification key logging at the table level offers the same options as those provided at the database level: all, primary key, foreign key, and unique key. However, when

you specify identification key logging at the table level, only the specified table is affected. For example, if you enter the following SQL statement (specifying database-level supplemental logging), then whenever a column in any database table is changed, the entire row containing that column (except columns for LOBs, LONGs, and ADTs) will be placed in the redo log file:

```
ALTER DATABASE ADD SUPPLEMENTAL LOG DATA (ALL) COLUMNS;
```

However, if you enter the following SQL statement (specifying table-level supplemental logging) instead, then only when a column in the `employees` table is changed will the entire row (except for LOB, LONGs, and ADTs) of the table be placed in the redo log file. If a column changes in the `departments` table, only the changed column will be placed in the redo log file.

```
ALTER TABLE HR.EMPLOYEES ADD SUPPLEMENTAL LOG DATA (ALL) COLUMNS;
```

Keep the following in mind when you use table-level identification key logging:

- If the database is open when you enable identification key logging on a table, all DML cursors for that table in the cursor cache are invalidated. This can affect performance until the cursor cache is repopulated.
- Supplemental logging statements are cumulative. If you issue the following SQL statements, both primary key and unique index key table-level supplemental logging is enabled:

```
ALTER TABLE HR.EMPLOYEES  
  ADD SUPPLEMENTAL LOG DATA (PRIMARY KEY) COLUMNS;  
ALTER TABLE HR.EMPLOYEES  
  ADD SUPPLEMENTAL LOG DATA (UNIQUE) COLUMNS;
```

See [Database-Level Identification Key Logging](#) on page 18-27 for a description of each of the identification key logging options.

### Table-Level User-Defined Supplemental Log Groups

In addition to table-level identification key logging, Oracle supports user-defined supplemental log groups. With user-defined supplemental log groups, you can specify which columns are supplementally logged. You can specify conditional or unconditional log groups, as follows:

- User-defined unconditional log groups

To enable supplemental logging that uses user-defined unconditional log groups, use the `ALWAYS` clause as shown in the following example:

```
ALTER TABLE HR.EMPLOYEES  
  ADD SUPPLEMENTAL LOG GROUP emp_parttime (EMPLOYEE_ID, LAST_NAME,  
  DEPARTMENT_ID) ALWAYS;
```

This creates a log group named `emp_parttime` on the `hr.employees` table that consists of the columns `employee_id`, `last_name`, and `department_id`. These columns will be logged every time an `UPDATE` statement is executed on the `hr.employees` table, regardless of whether or not the update affected these columns. (If you want to have the entire row image logged any time an update was made, use table-level `ALL` identification key logging, as described previously).

---

---

**Note:** LOB, LONG, and ADT columns cannot be supplementally logged.

---

---



- User-defined conditional supplemental log groups

To enable supplemental logging that uses user-defined conditional log groups, omit the `ALWAYS` clause from the `SQL ALTER TABLE` statement, as shown in the following example:

```
ALTER TABLE HR.EMPLOYEES
  ADD SUPPLEMENTAL LOG GROUP emp_fulltime (EMPLOYEE_ID, LAST_NAME,
  DEPARTMENT_ID);
```

This creates a log group named `emp_fulltime` on table `hr.employees`. Just like the previous example, it consists of the columns `employee_id`, `last_name`, and `department_id`. But because the `ALWAYS` clause was omitted, before-images of the columns will be logged only if at least one of the columns is updated.

For both unconditional and conditional user-defined supplemental log groups, you can explicitly specify that a column in the log group be excluded from supplemental logging by specifying the `NO LOG` option. When you specify a log group and use the `NO LOG` option, you must specify at least one column in the log group without the `NO LOG` option, as shown in the following example:

```
ALTER TABLE HR.EMPLOYEES
  ADD SUPPLEMENTAL LOG GROUP emp_parttime(
  DEPARTMENT_ID NO LOG, EMPLOYEE_ID);
```

This enables you to associate this column with other columns in the named supplemental log group such that any modification to the `NO LOG` column causes the other columns in the supplemental log group to be placed in the redo log file. This might be useful, for example, if you want to log certain columns in a group if a `LONG` column changes. You cannot supplementally log the `LONG` column itself; however, you can use changes to that column to trigger supplemental logging of other columns in the same row.

### Usage Notes for User-Defined Supplemental Log Groups

Keep the following in mind when you specify user-defined supplemental log groups:

- A column can belong to more than one supplemental log group. However, the before-image of the columns gets logged only once.
- If you specify the same columns to be logged both conditionally and unconditionally, the columns are logged unconditionally.

## Tracking DDL Statements in the LogMiner Dictionary

LogMiner automatically builds its own internal dictionary from the LogMiner dictionary that you specify when you start LogMiner (either an online catalog, a dictionary in the redo log files, or a flat file). This dictionary provides a snapshot of the database objects and their definitions.

If your LogMiner dictionary is in the redo log files or is a flat file, you can use the `DDL_DICT_TRACKING` option to the `PL/SQL DBMS_LOGMNR.START_LOGMNR` procedure to direct LogMiner to track data definition language (DDL) statements. DDL tracking enables LogMiner to successfully track structural changes made to a database object, such as adding or dropping columns from a table. For example:

```
EXECUTE DBMS_LOGMNR.START_LOGMNR (OPTIONS => -
  DBMS_LOGMNR.DDL_DICT_TRACKING + DBMS_LOGMNR.DICT_FROM_REDO_LOGS);
```

See [Example 5: Tracking DDL Statements in the Internal Dictionary](#) on page 18-56 for a complete example.

With this option set, LogMiner applies any DDL statements seen in the redo log files to its internal dictionary.

---

---

**Note:** In general, it is a good idea to keep supplemental logging and the DDL tracking feature enabled, because if they are not enabled and a DDL event occurs, LogMiner returns some of the redo data as binary data. Also, a metadata version mismatch could occur.

---

---

When you enable `DDL_DICT_TRACKING`, data manipulation language (DML) operations performed on tables created after the LogMiner dictionary was extracted can be shown correctly.

For example, if a table `employees` is updated through two successive DDL operations such that column `gender` is added in one operation, and column `commission_pct` is dropped in the next, LogMiner will keep versioned information for `employees` for each of these changes. This means that LogMiner can successfully mine redo log files that are from before and after these DDL changes, and no binary data will be presented for the `SQL_REDO` or `SQL_UNDO` columns.

Because LogMiner automatically assigns versions to the database metadata, it will detect and notify you of any mismatch between its internal dictionary and the dictionary in the redo log files. If LogMiner detects a mismatch, it generates binary data in the `SQL_REDO` column of the `V$LOGMNR_CONTENTS` view, the `INFO` column contains the string "Dictionary Version Mismatch", and the `STATUS` column will contain the value 2.

---

---

**Note:** It is important to understand that the LogMiner internal dictionary is not the same as the LogMiner dictionary contained in a flat file, in redo log files, or in the online catalog. LogMiner does update its internal dictionary, but it does not update the dictionary that is contained in a flat file, in redo log files, or in the online catalog.

---

---

The following list describes the requirements for specifying the `DDL_DICT_TRACKING` option with the `DBMS_LOGMNR.START_LOGMNR` procedure.

- The `DDL_DICT_TRACKING` option is not valid with the `DICTIONARY_FROM_ONLINE_CATALOG` option.
- The `DDL_DICT_TRACKING` option requires that the database be open.
- Supplemental logging must be enabled database-wide, or log groups must have been created for the tables of interest.

## DDL\_DICT\_TRACKING and Supplemental Logging Settings

Note the following interactions that occur when various settings of dictionary tracking and supplemental logging are combined:

- If `DDL_DICT_TRACKING` is enabled, but supplemental logging is not enabled and:
  - A DDL transaction is encountered in the redo log file, then a query of `V$LOGMNR_CONTENTS` will terminate with the ORA-01347 error.
  - A DML transaction is encountered in the redo log file, LogMiner will not assume that the current version of the table (underlying the DML) in its

dictionary is correct, and columns in V\$LOGMNR\_CONTENTS will be set as follows:

- \* The SQL\_REDO column will contain binary data.
  - \* The STATUS column will contain a value of 2 (which indicates that the SQL is not valid).
  - \* The INFO column will contain the string 'Dictionary Mismatch'.
- If DDL\_DICT\_TRACKING is not enabled and supplemental logging is not enabled, and the columns referenced in a DML operation match the columns in the LogMiner dictionary, then LogMiner assumes that the latest version in its dictionary is correct, and columns in V\$LOGMNR\_CONTENTS will be set as follows:
    - LogMiner will use the definition of the object in its dictionary to generate values for the SQL\_REDO and SQL\_UNDO columns.
    - The status column will contain a value of 3 (which indicates that the SQL is not guaranteed to be accurate).
    - The INFO column will contain the string 'no supplemental log data found'.
  - If DDL\_DICT\_TRACKING is not enabled and supplemental logging is not enabled and there are more modified columns in the redo log file for a table than the LogMiner dictionary definition for the table defines, then:
    - The SQL\_REDO and SQL\_UNDO columns will contain the string 'Dictionary Version Mismatch'.
    - The STATUS column will contain a value of 2 (which indicates that the SQL is not valid).
    - The INFO column will contain the string 'Dictionary Mismatch'.

Also be aware that it is possible to get unpredictable behavior if the dictionary definition of a column indicates one type but the column is really another type.

## DDL\_DICT\_TRACKING and Specified Time or SCN Ranges

Because LogMiner must not miss a DDL statement if it is to ensure the consistency of its dictionary, LogMiner may start reading redo log files prior to your requested starting time or SCN (as specified with DBMS\_LOGMNR.START\_LOGMNR) when the DDL\_DICT\_TRACKING option is enabled. The actual time or SCN at which LogMiner starts reading redo log files is referred to as the **required starting time** or the **required starting SCN**.

No missing redo log files (based on sequence numbers) are allowed from the required starting time or the required starting SCN.

LogMiner determines where it will start reading redo log data as follows:

- After the dictionary is loaded, the first time that you call DBMS\_LOGMNR.START\_LOGMNR, LogMiner begins reading as determined by one of the following, whichever causes it to begin earlier:
  - Your requested starting time or SCN value
  - The commit SCN of the dictionary dump
- On subsequent calls to DBMS\_LOGMNR.START\_LOGMNR, LogMiner begins reading as determined for one of the following, whichever causes it to begin earliest:
  - Your requested starting time or SCN value

- The start of the earliest DDL transaction where the COMMIT statement has not yet been read by LogMiner
- The highest SCN read by LogMiner

The following scenario helps illustrate this:

Suppose you create a redo log file list containing five redo log files. Assume that a dictionary is contained in the first redo file, and the changes that you have indicated that you want to see (using `DBMS_LOGMNR.START_LOGMNR`) are recorded in the third redo log file. You then do the following:

1. Call `DBMS_LOGMNR.START_LOGMNR`. LogMiner will read:
  - a. The first log file to load the dictionary
  - b. The second redo log file to pick up any possible DDLs contained within it
  - c. The third log file to retrieve the data of interest
2. Call `DBMS_LOGMNR.START_LOGMNR` again with the same requested range.  
LogMiner will begin with redo log file 3; it no longer needs to read redo log file 2, because it has already processed any DDL statements contained within it.
3. Call `DBMS_LOGMNR.START_LOGMNR` again, this time specifying parameters that require data to be read from redo log file 5.  
LogMiner will start reading from redo log file 4 to pick up any DDL statements that may be contained within it.

Query the `REQUIRED_START_DATE` or the `REQUIRED_START_SCN` columns of the `V$LOGMNR_PARAMETERS` view to see where LogMiner will actually start reading. Regardless of where LogMiner starts reading, only rows in your requested range will be returned from the `V$LOGMINER_CONTENTS` view.

## Accessing LogMiner Operational Information in Views

LogMiner operational information (as opposed to redo data) is contained in the following views. You can use SQL to query them as you would any other view.

- `V$LOGMNR_DICTIONARY`  
Shows information about a LogMiner dictionary file that was created using the `STORE_IN_FLAT_FILE` option to `DBMS_LOGMNR.START_LOGMNR`. The information shown includes information about the database from which the LogMiner dictionary was created.
- `V$LOGMNR_LOGS`  
Shows information about specified redo log files, as described in [Querying V\\$LOGMNR\\_LOGS](#) on page 18-35.
- `V$LOGMNR_PARAMETERS`  
Shows information about optional LogMiner parameters, including starting and ending system change numbers (SCNs) and starting and ending times.
- `V$DATABASE`, `DBA_LOG_GROUPS`, `ALL_LOG_GROUPS`, `USER_LOG_GROUPS`, `DBA_LOG_GROUP_COLUMNS`, `ALL_LOG_GROUP_COLUMNS`, `USER_LOG_GROUP_COLUMNS`  
Shows information about the current settings for supplemental logging, as described in [Querying Views for Supplemental Logging Settings](#) on page 18-36.

**See Also:** *Oracle Database Reference* for detailed information about the contents of these views

## Querying V\$LOGMNR\_LOGS

You can query the V\$LOGMNR\_LOGS view to determine which redo log files have been manually or automatically added to the list of redo log files for LogMiner to analyze. This view contains one row for each redo log file. It provides valuable information about each of the redo log files including filename, sequence #, SCN and time ranges, and whether it contains all or part of the LogMiner dictionary.

After a successful call to DBMS\_LOGMNR.START\_LOGMNR, the STATUS column of the V\$LOGMNR\_LOGS view contains one of the following values:

- 0  
Indicates that the redo log file will be processed during a query of the V\$LOGMNR\_CONTENTS view.
- 1  
Indicates that this will be the first redo log file to be processed by LogMiner during a select operation against the V\$LOGMNR\_CONTENTS view.
- 2  
Indicates that the redo log file has been pruned and therefore will not be processed by LogMiner during a query of the V\$LOGMNR\_CONTENTS view. It has been pruned because it is not needed to satisfy your requested time or SCN range.
- 4  
Indicates that a redo log file (based on sequence number) is missing from the LogMiner redo log file list.

The V\$LOGMNR\_LOGS view contains a row for each redo log file that is missing from the list, as follows:

- The FILENAME column will contain the consecutive range of sequence numbers and total SCN range gap.  
For example: 'Missing log file(s) for thread number 1, sequence number(s) 100 to 102'.
- The INFO column will contain the string 'MISSING\_LOGFILE'.

Information about files missing from the redo log file list can be useful for the following reasons:

- The DDL\_DICT\_TRACKING and CONTINUOUS\_MINE options that can be specified when you call DBMS\_LOGMNR.START\_LOGMNR will not allow redo log files to be missing from the LogMiner redo log file list for the requested time or SCN range. If a call to DBMS\_LOGMNR.START\_LOGMNR fails, you can query the STATUS column in the V\$LOGMNR\_LOGS view to determine which redo log files are missing from the list. You can then find and manually add these redo log files and attempt to call DBMS\_LOGMNR.START\_LOGMNR again.
- Although all other options that can be specified when you call DBMS\_LOGMNR.START\_LOGMNR allow files to be missing from the LogMiner redo log file list, you may not want to have missing files. You can query the V\$LOGMNR\_LOGS view before querying the V\$LOGMNR\_CONTENTS view to ensure that all required files are in the list. If the list is left with missing files and you query the

V\$LOGMNR\_CONTENTS view, a row is returned in V\$LOGMNR\_CONTENTS with the following column values:

- In the OPERATION column, a value of 'MISSING\_SCN'
- In the STATUS column, a value of 1291
- In the INFO column, a string indicating the missing SCN range (for example, 'Missing SCN 100 - 200')

## Querying Views for Supplemental Logging Settings

You can query a number of views to determine the current settings for supplemental logging, as described in the following list:

- V\$DATABASE view
  - SUPPLEMENTAL\_LOG\_DATA\_FK column  
This column contains one of the following values:
    - \* NO - if database-level identification key logging with the FOREIGN KEY option is not enabled
    - \* YES - if database-level identification key logging with the FOREIGN KEY option is enabled
  - SUPPLEMENTAL\_LOG\_DATA\_ALL column  
This column contains one of the following values:
    - \* NO - if database-level identification key logging with the ALL option is not enabled
    - \* YES - if database-level identification key logging with the ALL option is enabled
  - SUPPLEMENTAL\_LOG\_DATA\_UI column
    - \* NO - if database-level identification key logging with the UNIQUE option is not enabled
    - \* YES - if database-level identification key logging with the UNIQUE option is enabled
  - SUPPLEMENTAL\_LOG\_DATA\_MIN column  
This column contains one of the following values:
    - \* NO - if no database-level supplemental logging is enabled
    - \* IMPLICIT - if minimal supplemental logging is enabled because database-level identification key logging options is enabled
    - \* YES - if minimal supplemental logging is enabled because the SQL ALTER DATABASE ADD SUPPLEMENTAL LOG DATA statement was issued
- DBA\_LOG\_GROUPS, ALL\_LOG\_GROUPS, and USER\_LOG\_GROUPS views
  - ALWAYS column  
This column contains one of the following values:
    - \* ALWAYS - indicates that the columns in this log group will be supplementally logged if any column in the associated row is updated
    - \* CONDITIONAL - indicates that the columns in this group will be supplementally logged only if a column in the log group is updated

- GENERATED column
 

This column contains one of the following values:

  - \* GENERATED NAME - if the LOG\_GROUP name was system-generated
  - \* USER NAME - if the LOG\_GROUP name was user-defined
- LOG\_GROUP\_TYPES column
 

This column contains one of the following values to indicate the type of logging defined for this log group. USER LOG GROUP indicates that the log group was user-defined (as opposed to system-generated).

  - \* ALL COLUMN LOGGING
  - \* FOREIGN KEY LOGGING
  - \* PRIMARY KEY LOGGING
  - \* UNIQUE KEY LOGGING
  - \* USER LOG GROUP
- DBA\_LOG\_GROUP\_COLUMNS, ALL\_LOG\_GROUP\_COLUMNS, and USER\_LOG\_GROUP\_COLUMNS views
  - The LOGGING\_PROPERTY column
 

This column contains one of the following values:

    - \* LOG - indicates that this column in the log group will be supplementally logged
    - \* NO LOG - indicates that this column in the log group will not be supplementally logged

## Steps in a Typical LogMiner Session

This section describes the steps in a typical LogMiner session. Each step is described in its own subsection.

1. [Enable Supplemental Logging](#)
2. [Extract a LogMiner Dictionary](#) (unless you plan to use the online catalog)
3. [Specify Redo Log Files for Analysis](#)
4. [Start LogMiner](#)
5. [Query V\\$LOGMNR\\_CONTENTS](#)
6. [End the LogMiner Session](#)

To run LogMiner, you use the DBMS\_LOGMNR PL/SQL package. Additionally, you might also use the DBMS\_LOGMNR\_D package if you choose to extract a LogMiner dictionary rather than use the online catalog.

The DBMS\_LOGMNR package contains the procedures used to initialize and run LogMiner, including interfaces to specify names of redo log files, filter criteria, and session characteristics. The DBMS\_LOGMNR\_D package queries the database dictionary tables of the current database to create a LogMiner dictionary file.

The LogMiner PL/SQL packages are owned by the SYS schema. Therefore, if you are not connected as user sys :

- You must include SYS in your call. For example:

```
EXECUTE SYS.DBMS_LOGMNR.END_LOGMNR;
```

- You must have been granted the EXECUTE\_CATALOG\_ROLE role.

**See Also:**

- *Oracle Database PL/SQL Packages and Types Reference* for details about syntax and parameters for these LogMiner packages
- *Oracle Database Advanced Application Developer's Guide* for information about executing PL/SQL procedures

## Enable Supplemental Logging

Enable the type of supplemental logging you want to use. At the very least, you must enable minimal supplemental logging, as follows:

```
ALTER DATABASE ADD SUPPLEMENTAL LOG DATA;
```

See [Supplemental Logging](#) on page 18-26 for more information.

## Extract a LogMiner Dictionary

To use LogMiner, you must supply it with a dictionary by doing one of the following:

- Specify use of the online catalog by using the DICT\_FROM\_ONLINE\_CATALOG option when you start LogMiner. See [Using the Online Catalog](#) on page 18-6.
- Extract database dictionary information to the redo log files. See [Extracting a LogMiner Dictionary to the Redo Log Files](#) on page 18-7.
- Extract database dictionary information to a flat file. See [Extracting the LogMiner Dictionary to a Flat File](#) on page 18-8.

## Specify Redo Log Files for Analysis

Before you can start LogMiner, you must specify the redo log files that you want to analyze. To do so, execute the DBMS\_LOGMNR.ADD\_LOGFILE procedure, as demonstrated in the following steps. You can add and remove redo log files in any order.

---

---

**Note:** If you will be mining in the database instance that is generating the redo log files, you only need to specify the CONTINUOUS\_MINE option and one of the following when you start LogMiner:

- The STARTSCN parameter
- The STARTTIME parameter

For more information, see [Redo Log File Options](#) on page 18-8.

---

---

1. Use SQL\*Plus to start an Oracle instance, with the database either mounted or unmounted. For example, enter the STARTUP statement at the SQL prompt:

```
STARTUP
```

2. Create a list of redo log files. Specify the NEW option of the DBMS\_LOGMNR.ADD\_LOGFILE PL/SQL procedure to signal that this is the beginning of a new list. For example, enter the following to specify the /oracle/logs/log1.f redo log file:



```
EXECUTE DBMS_LOGMNR.ADD_LOGFILE( -
  LOGFILENAME => '/oracle/logs/log1.f', -
  OPTIONS => DBMS_LOGMNR.NEW);
```

3. If desired, add more redo log files by specifying the `ADDFILE` option of the `DBMS_LOGMNR.ADD_LOGFILE` PL/SQL procedure. For example, enter the following to add the `/oracle/logs/log2.f` redo log file:

```
EXECUTE DBMS_LOGMNR.ADD_LOGFILE( -
  LOGFILENAME => '/oracle/logs/log2.f', -
  OPTIONS => DBMS_LOGMNR.ADDFILE);
```

The `OPTIONS` parameter is optional when you are adding additional redo log files. For example, you could simply enter the following:

```
EXECUTE DBMS_LOGMNR.ADD_LOGFILE( -
  LOGFILENAME=>'/oracle/logs/log2.f');
```

4. If desired, remove redo log files by using the `DBMS_LOGMNR.REMOVE_LOGFILE` PL/SQL procedure. For example, enter the following to remove the `/oracle/logs/log2.f` redo log file:

```
EXECUTE DBMS_LOGMNR.REMOVE_LOGFILE( -
  LOGFILENAME => '/oracle/logs/log2.f');
```

## Start LogMiner

After you have created a LogMiner dictionary file and specified which redo log files to analyze, you must start LogMiner. Take the following steps:

1. Execute the `DBMS_LOGMNR.START_LOGMNR` procedure to start LogMiner.

Oracle recommends that you specify a LogMiner dictionary option. If you do not, LogMiner cannot translate internal object identifiers and datatypes to object names and external data formats. Therefore, it would return internal object IDs and present data as binary data. Additionally, the `MINE_VALUE` and `COLUMN_PRESENT` functions cannot be used without a dictionary.

If you are specifying the name of a flat file LogMiner dictionary, you must supply a fully qualified filename for the dictionary file. For example, to start LogMiner using `/oracle/database/dictionary.ora`, issue the following statement:

```
EXECUTE DBMS_LOGMNR.START_LOGMNR( -
  DICTFILENAME => '/oracle/database/dictionary.ora');
```

If you are not specifying a flat file dictionary name, then use the `OPTIONS` parameter to specify either the `DICT_FROM_REDO_LOGS` or `DICT_FROM_ONLINE_CATALOG` option.

If you specify `DICT_FROM_REDO_LOGS`, LogMiner expects to find a dictionary in the redo log files that you specified with the `DBMS_LOGMNR.ADD_LOGFILE` procedure. To determine which redo log files contain a dictionary, look at the `V$ARCHIVED_LOG` view. See [Extracting a LogMiner Dictionary to the Redo Log Files](#) on page 18-7 for an example.

---

---

**Note:** If you add additional redo log files after LogMiner has been started, you must restart LogMiner. LogMiner will not retain options that were included in the previous call to `DBMS_LOGMNR.START_LOGMNR`; you must respecify those options that you want to use. However, LogMiner will retain the dictionary specification from the previous call if you do not specify a dictionary in the current call to `DBMS_LOGMNR.START_LOGMNR`.

---

---

For more information about the `DICT_FROM_ONLINE_CATALOG` option, see [Using the Online Catalog](#) on page 18-6.

2. Optionally, you can filter your query by time or by SCN. See [Filtering Data by Time](#) on page 18-23 or [Filtering Data by SCN](#) on page 18-23.
3. You can also use the `OPTIONS` parameter to specify additional characteristics of your LogMiner session. For example, you might decide to use the online catalog as your LogMiner dictionary and to have only committed transactions shown in the `V$LOGMNR_CONTENTS` view, as follows:

```
EXECUTE DBMS_LOGMNR.START_LOGMNR (OPTIONS => -  
    DBMS_LOGMNR.DICT_FROM_ONLINE_CATALOG + -  
    DBMS_LOGMNR.COMMITTED_DATA_ONLY);
```

For more information about `DBMS_LOGMNR.START_LOGMNR` options, see *Oracle Database PL/SQL Packages and Types Reference*.

You can execute the `DBMS_LOGMNR.START_LOGMNR` procedure multiple times, specifying different options each time. This can be useful, for example, if you did not get the desired results from a query of `V$LOGMNR_CONTENTS`, and want to restart LogMiner with different options. Unless you need to respecify the LogMiner dictionary, you do not need to add redo log files if they were already added with a previous call to `DBMS_LOGMNR.START_LOGMNR`.

## Query V\$LOGMNR\_CONTENTS

At this point, LogMiner is started and you can perform queries against the `V$LOGMNR_CONTENTS` view. See [Filtering and Formatting Data Returned to V\\$LOGMNR\\_CONTENTS](#) on page 18-19 for examples of this.

## End the LogMiner Session

To properly end a LogMiner session, use the `DBMS_LOGMNR.END_LOGMNR` PL/SQL procedure, as follows:

```
EXECUTE DBMS_LOGMNR.END_LOGMNR;
```

This procedure closes all the redo log files and allows all the database and system resources allocated by LogMiner to be released.

If this procedure is not executed, LogMiner retains all its allocated resources until the end of the Oracle session in which it was invoked. It is particularly important to use this procedure to end the LogMiner session if either the `DDL_DICT_TRACKING` option or the `DICT_FROM_REDO_LOGS` option was used.

## Examples Using LogMiner

This section provides several examples of using LogMiner in each of the following general categories:

- [Examples of Mining by Explicitly Specifying the Redo Log Files of Interest](#)
- [Examples of Mining Without Specifying the List of Redo Log Files Explicitly](#)
- [Example Scenarios](#)

---

**Note:** All examples in this section assume that minimal supplemental logging has been enabled:

```
SQL> ALTER DATABASE ADD SUPPLEMENTAL LOG DATA;
```

See [Supplemental Logging](#) on page 18-26 for more information.

All examples, except [Example 2: Mining the Redo Log Files in a Given SCN Range](#) on page 18-64 and the [Example Scenarios](#) on page 18-66, assume that the `NLS_DATE_FORMAT` parameter has been set as follows:

```
SQL> ALTER SESSION SET NLS_DATE_FORMAT = 'dd-mon-yyyy hh24:mi:ss';
```

Because LogMiner displays date data using the setting for the `NLS_DATE_FORMAT` parameter that is active for the user session, this step is optional. However, setting the parameter explicitly lets you predict the date format.

---

### Examples of Mining by Explicitly Specifying the Redo Log Files of Interest

The following examples demonstrate how to use LogMiner when you know which redo log files contain the data of interest. This section contains the following list of examples; these examples are best read sequentially, because each example builds on the example or examples that precede it:

- [Example 1: Finding All Modifications in the Last Archived Redo Log File](#)
- [Example 2: Grouping DML Statements into Committed Transactions](#)
- [Example 3: Formatting the Reconstructed SQL](#)
- [Example 4: Using the LogMiner Dictionary in the Redo Log Files](#)
- [Example 5: Tracking DDL Statements in the Internal Dictionary](#)
- [Example 6: Filtering Output by Time Range](#)

The SQL output formatting may be different on your display than that shown in these examples.

#### Example 1: Finding All Modifications in the Last Archived Redo Log File

The easiest way to examine the modification history of a database is to mine at the source database and use the online catalog to translate the redo log files. This example shows how to do the simplest analysis using LogMiner.

This example finds all modifications that are contained in the last archived redo log generated by the database (assuming that the database is not an Oracle Real Application Clusters database).

**Step 1 Determine which redo log file was most recently archived.**

This example assumes that you know that you want to mine the redo log file that was most recently archived.

```
SELECT NAME FROM V$ARCHIVED_LOG
       WHERE FIRST_TIME = (SELECT MAX(FIRST_TIME) FROM V$ARCHIVED_LOG);
```

```
NAME
-----
/usr/oracle/data/dblarch_1_16_482701534.dbf
```

**Step 2 Specify the list of redo log files to be analyzed.**

Specify the redo log file that was returned by the query in Step 1. The list will consist of one redo log file.

```
EXECUTE DBMS_LOGMNR.ADD_LOGFILE( -
      LOGFILENAME => '/usr/oracle/data/dblarch_1_16_482701534.dbf', -
      OPTIONS => DBMS_LOGMNR.NEW);
```

**Step 3 Start LogMiner.**

Start LogMiner and specify the dictionary to use.

```
EXECUTE DBMS_LOGMNR.START_LOGMNR( -
      OPTIONS => DBMS_LOGMNR.DICT_FROM_ONLINE_CATALOG);
```

**Step 4 Query the V\$LOGMNR\_CONTENTS view.**

Note that there are four transactions (two of them were committed within the redo log file being analyzed, and two were not). The output shows the DML statements in the order in which they were executed; thus transactions interleave among themselves.

```
SELECT username AS USR, (XIDUSN || '.' || XIDSLT || '.' || XIDSQN) AS XID,
       SQL_REDO, SQL_UNDO FROM V$LOGMNR_CONTENTS WHERE username IN ('HR', 'OE');
```

USR	XID	SQL_REDO	SQL_UNDO
HR	1.11.1476	set transaction read write;	
HR	1.11.1476	insert into "HR"."EMPLOYEES"( "EMPLOYEE_ID", "FIRST_NAME", "LAST_NAME", "EMAIL", "PHONE_NUMBER", "HIRE_DATE", "JOB_ID", "SALARY", "COMMISSION_PCT", "MANAGER_ID", "DEPARTMENT_ID") values ( '306', 'Nandini', 'Shastry', 'NSHASTRY', '1234567890', TO_DATE('10-jan-2003 13:34:43', 'dd-mon-yyyy hh24:mi:ss'), 'HR_REP', '120000', '.05', '105', '10');	delete from "HR"."EMPLOYEES" where "EMPLOYEE_ID" = '306' and "FIRST_NAME" = 'Nandini' and "LAST_NAME" = 'Shastry' and "EMAIL" = 'NSHASTRY' and "PHONE_NUMBER" = '1234567890' and "HIRE_DATE" = TO_DATE('10-JAN-2003 13:34:43', 'dd-mon-yyyy hh24:mi:ss') and "JOB_ID" = 'HR_REP' and "SALARY" = '120000' and "COMMISSION_PCT" = '.05' and "DEPARTMENT_ID" = '10' and ROWID = 'AAAHSkAABAAAY6rAAO';
OE	1.1.1484	set transaction read write;	
OE	1.1.1484	update "OE"."PRODUCT_INFORMATION" set "WARRANTY_PERIOD" = TO_YMINTERVAL('+05-00') where "PRODUCT_ID" = '1799' and "WARRANTY_PERIOD" =	update "OE"."PRODUCT_INFORMATION" set "WARRANTY_PERIOD" = TO_YMINTERVAL('+01-00') where "PRODUCT_ID" = '1799' and "WARRANTY_PERIOD" =

		TO_YMINTERVAL('+01-00') and ROWID = 'AAAHTKAABAAAY9mAAB';	TO_YMINTERVAL('+05-00') and ROWID = 'AAAHTKAABAAAY9mAAB';
OE	1.1.1484	update "OE"."PRODUCT_INFORMATION" set "WARRANTY_PERIOD" = TO_YMINTERVAL('+05-00') where "PRODUCT_ID" = '1801' and "WARRANTY_PERIOD" = TO_YMINTERVAL('+01-00') and ROWID = 'AAAHTKAABAAAY9mAAC';	update "OE"."PRODUCT_INFORMATION" set "WARRANTY_PERIOD" = TO_YMINTERVAL('+01-00') where "PRODUCT_ID" = '1801' and "WARRANTY_PERIOD" = TO_YMINTERVAL('+05-00') and ROWID = 'AAAHTKAABAAAY9mAAC';
HR	1.11.1476	insert into "HR"."EMPLOYEES"( "EMPLOYEE_ID", "FIRST_NAME", "LAST_NAME", "EMAIL", "PHONE_NUMBER", "HIRE_DATE", "JOB_ID", "SALARY", "COMMISSION_PCT", "MANAGER_ID", "DEPARTMENT_ID") values ( '307', 'John', 'Silver', 'JSILVER', '5551112222', TO_DATE('10-jan-2003 13:41:03', 'dd-mon-yyyy hh24:mi:ss'), 'SH_CLERK', '110000', '.05', '105', '50');	delete from "HR"."EMPLOYEES" "EMPLOYEE_ID" = '307' and "FIRST_NAME" = 'John' and "LAST_NAME" = 'Silver' and "EMAIL" = 'JSILVER' and "PHONE_NUMBER" = '5551112222' and "HIRE_DATE" = TO_DATE('10-jan-2003 13:41:03', 'dd-mon-yyyy hh24:mi:ss') and "JOB_ID" = '105' and "DEPARTMENT_ID" = '50' and ROWID = 'AAHSKaABAAAY6rAAP';
OE	1.1.1484	commit;	
HR	1.15.1481	set transaction read write;	
HR	1.15.1481	delete from "HR"."EMPLOYEES" where "EMPLOYEE_ID" = '205' and "FIRST_NAME" = 'Shelley' and "LAST_NAME" = 'Higgins' and "EMAIL" = 'SHIGGINS' and "PHONE_NUMBER" = '515.123.8080' and "HIRE_DATE" = TO_DATE( '07-jun-1994 10:05:01', 'dd-mon-yyyy hh24:mi:ss') and "JOB_ID" = 'AC_MGR' and "SALARY" = '12000' and "COMMISSION_PCT" IS NULL and "MANAGER_ID" = '101' and "DEPARTMENT_ID" = '110' and ROWID = 'AAHSKaABAAAY6rAAM';	insert into "HR"."EMPLOYEES"( "EMPLOYEE_ID", "FIRST_NAME", "LAST_NAME", "EMAIL", "PHONE_NUMBER", "HIRE_DATE", "JOB_ID", "SALARY", "COMMISSION_PCT", "MANAGER_ID", "DEPARTMENT_ID") values ( '205', 'Shelley', 'Higgins', and 'SHIGGINS', '515.123.8080', TO_DATE('07-jun-1994 10:05:01', 'dd-mon-yyyy hh24:mi:ss'), 'AC_MGR', '12000', NULL, '101', '110');
OE	1.8.1484	set transaction read write;	
OE	1.8.1484	update "OE"."PRODUCT_INFORMATION" set "WARRANTY_PERIOD" = TO_YMINTERVAL('+12-06') where "PRODUCT_ID" = '2350' and "WARRANTY_PERIOD" = TO_YMINTERVAL('+20-00') and ROWID = 'AAAHTKAABAAAY9tAAD';	update "OE"."PRODUCT_INFORMATION" set "WARRANTY_PERIOD" = TO_YMINTERVAL('+20-00') where "PRODUCT_ID" = '2350' and "WARRANTY_PERIOD" = TO_YMINTERVAL('+20-00') and ROWID = 'AAAHTKAABAAAY9tAAD';
HR	1.11.1476	commit;	

**Step 5 End the LogMiner session.**

```
SQL> EXECUTE DBMS_LOGMNR.END_LOGMNR();
```

**Example 2: Grouping DML Statements into Committed Transactions**

As shown in the first example, [Example 1: Finding All Modifications in the Last Archived Redo Log File](#) on page 18-41, LogMiner displays all modifications it finds in the redo log files that it analyzes by default, regardless of whether the transaction has been committed or not. In addition, LogMiner shows modifications in the same order in which they were executed. Because DML statements that belong to the same transaction are not grouped together, visual inspection of the output can be difficult. Although you can use SQL to group transactions, LogMiner provides an easier way. In this example, the latest archived redo log file will again be analyzed, but it will return only committed transactions.

**Step 1 Determine which redo log file was most recently archived by the database.**

This example assumes that you know that you want to mine the redo log file that was most recently archived.

```
SELECT NAME FROM V$ARCHIVED_LOG
       WHERE FIRST_TIME = (SELECT MAX(FIRST_TIME) FROM V$ARCHIVED_LOG);
```

```
NAME
```

```
-----
/usr/oracle/data/db1arch_1_16_482701534.dbf
```

**Step 2 Specify the list of redo log files to be analyzed.**

Specify the redo log file that was returned by the query in Step 1. The list will consist of one redo log file.

```
EXECUTE DBMS_LOGMNR.ADD_LOGFILE( -
      LOGFILENAME => '/usr/oracle/data/db1arch_1_16_482701534.dbf', -
      OPTIONS => DBMS_LOGMNR.NEW);
```

**Step 3 Start LogMiner.**

Start LogMiner by specifying the dictionary to use and the `COMMITTED_DATA_ONLY` option.

```
EXECUTE DBMS_LOGMNR.START_LOGMNR( -
      OPTIONS => DBMS_LOGMNR.DICT_FROM_ONLINE_CATALOG + -
      DBMS_LOGMNR.COMMITTED_DATA_ONLY);
```

**Step 4 Query the V\$LOGMNR\_CONTENTS view.**

Although transaction 1.11.1476 was started before transaction 1.1.1484 (as revealed in [Example 1: Finding All Modifications in the Last Archived Redo Log File](#) on page 18-41), it committed after transaction 1.1.1484 committed. In this example, therefore, transaction 1.1.1484 is shown in its entirety before transaction 1.11.1476. The two transactions that did not commit within the redo log file being analyzed are not returned.

```
SELECT username AS USR, (XIDUSN || '.' || XIDSLT || '.' || XIDSQN) AS XID, SQL_REDO,
       SQL_UNDO FROM V$LOGMNR_CONTENTS WHERE username IN ('HR', 'OE');
```

```
;
```

```
USR      XID          SQL_REDO          SQL_UNDO
-----  -
```

```

OE      1.1.1484  set transaction read write;

OE      1.1.1484  update "OE"."PRODUCT_INFORMATION" update "OE"."PRODUCT_INFORMATION"
set "WARRANTY_PERIOD" =           set "WARRANTY_PERIOD" =
TO_YMINTERVAL('+05-00') where     TO_YMINTERVAL('+01-00') where
"PRODUCT_ID" = '1799' and        "PRODUCT_ID" = '1799' and
"WARRANTY_PERIOD" =             "WARRANTY_PERIOD" =
TO_YMINTERVAL('+01-00') and      TO_YMINTERVAL('+05-00') and
ROWID = 'AAAHTKAABAAAY9mAAB';   ROWID = 'AAAHTKAABAAAY9mAAB';

OE      1.1.1484  update "OE"."PRODUCT_INFORMATION" update "OE"."PRODUCT_INFORMATION"
set "WARRANTY_PERIOD" =           set "WARRANTY_PERIOD" =
TO_YMINTERVAL('+05-00') where     TO_YMINTERVAL('+01-00') where
"PRODUCT_ID" = '1801' and        "PRODUCT_ID" = '1801' and
"WARRANTY_PERIOD" =             "WARRANTY_PERIOD" =
TO_YMINTERVAL('+01-00') and      TO_YMINTERVAL('+05-00') and
ROWID = 'AAAHTKAABAAAY9mAAC';   ROWID = 'AAAHTKAABAAAY9mAAC';

OE      1.1.1484  commit;

HR      1.11.1476 set transaction read write;

HR      1.11.1476 insert into "HR"."EMPLOYEES" (      delete from "HR"."EMPLOYEES"
"EMPLOYEE_ID", "FIRST_NAME",     where "EMPLOYEE_ID" = '306'
"LAST_NAME", "EMAIL",            and "FIRST_NAME" = 'Nandini'
"PHONE_NUMBER", "HIRE_DATE",     and "LAST_NAME" = 'Shastry'
"JOB_ID", "SALARY",              and "EMAIL" = 'NSHASTRY'
"COMMISSION_PCT", "MANAGER_ID",  and "PHONE_NUMBER" = '1234567890'
"DEPARTMENT_ID") values         and "HIRE_DATE" = TO_DATE('10-JAN-2003
('306', 'Nandini', 'Shastry',    13:34:43', 'dd-mon-yyyy hh24:mi:ss')
'NSHASTRY', '1234567890',        and "JOB_ID" = 'HR_REP' and
TO_DATE('10-jan-2003 13:34:43', "SALARY" = '120000' and
'dd-mon-yyy hh24:mi:ss'),        "COMMISSION_PCT" = '.05' and
'HR_REP', '120000', '.05',       "DEPARTMENT_ID" = '10' and
'105', '10');                   ROWID = 'AAAHSkAABAAAY6rAAO';

HR      1.11.1476 insert into "HR"."EMPLOYEES" (      delete from "HR"."EMPLOYEES"
"EMPLOYEE_ID", "FIRST_NAME",     "EMPLOYEE_ID" = '307' and
"LAST_NAME", "EMAIL",            "FIRST_NAME" = 'John' and
"PHONE_NUMBER", "HIRE_DATE",     "LAST_NAME" = 'Silver' and
"JOB_ID", "SALARY",              "EMAIL" = 'JSILVER' and
"COMMISSION_PCT", "MANAGER_ID",  "PHONE_NUMBER" = '5551112222'
"DEPARTMENT_ID") values         and "HIRE_DATE" = TO_DATE('10-jan-2003
('307', 'John', 'Silver',        13:41:03', 'dd-mon-yyyy hh24:mi:ss')
'JSILVER', '5551112222',        and "JOB_ID" = '105' and "DEPARTMENT_ID"
TO_DATE('10-jan-2003 13:41:03', = '50' and ROWID = 'AAAHSkAABAAAY6rAAP';
'dd-mon-yyyy hh24:mi:ss'),
'SH_CLERK', '110000', '.05',
'105', '50');

HR      1.11.1476 commit;

```

### Step 5 End the LogMiner session.

```
EXECUTE DBMS_LOGMNR.END_LOGMNR();
```

### Example 3: Formatting the Reconstructed SQL

As shown in [Example 2: Grouping DML Statements into Committed Transactions](#) on page 18-44, using the `COMMITTED_DATA_ONLY` option with the dictionary in the

online redo log file is an easy way to focus on committed transactions. However, one aspect remains that makes visual inspection difficult: the association between the column names and their respective values in an `INSERT` statement are not apparent. This can be addressed by specifying the `PRINT_PRETTY_SQL` option. Note that specifying this option will make some of the reconstructed SQL statements nonexecutable.

### Step 1 Determine which redo log file was most recently archived.

This example assumes that you know that you want to mine the redo log file that was most recently archived.

```
SELECT NAME FROM V$ARCHIVED_LOG
       WHERE FIRST_TIME = (SELECT MAX(FIRST_TIME) FROM V$ARCHIVED_LOG);
```

```
NAME
-----
/usr/oracle/data/db1arch_1_16_482701534.dbf
```

### Step 2 Specify the list of redo log files to be analyzed.

Specify the redo log file that was returned by the query in Step 1. The list will consist of one redo log file.

```
EXECUTE DBMS_LOGMNR.ADD_LOGFILE( -
       LOGFILENAME => '/usr/oracle/data/db1arch_1_16_482701534.dbf', -
       OPTIONS => DBMS_LOGMNR.NEW);
```

### Step 3 Start LogMiner.

Start LogMiner by specifying the dictionary to use and the `COMMITTED_DATA_ONLY` and `PRINT_PRETTY_SQL` options.

```
EXECUTE DBMS_LOGMNR.START_LOGMNR(-
       OPTIONS => DBMS_LOGMNR.DICT_FROM_ONLINE_CATALOG + -
                 DBMS_LOGMNR.COMMITTED_DATA_ONLY + -
                 DBMS_LOGMNR.PRINT_PRETTY_SQL);
```

The `DBMS_LOGMNR.PRINT_PRETTY_SQL` option changes only the format of the reconstructed SQL, and therefore is useful for generating reports for visual inspection.

### Step 4 Query the V\$LOGMNR\_CONTENTS view for SQL\_REDO statements.

```
SELECT username AS USR, (XIDUSN || '.' || XIDSLT || '.' || XIDSQN) AS XID, SQL_REDO
       FROM V$LOGMNR_CONTENTS;
```

```
USR      XID      SQL_REDO
-----  -
OE       1.1.1484  set transaction read write;
OE       1.1.1484  update "OE"."PRODUCT_INFORMATION"
       set
       "WARRANTY_PERIOD" = TO_YMINTERVAL('+05-00')
       where
       "PRODUCT_ID" = '1799' and
       "WARRANTY_PERIOD" = TO_YMINTERVAL('+01-00') and
       ROWID = 'AAAHTKAABAAAY9mAAB';
OE       1.1.1484  update "OE"."PRODUCT_INFORMATION"
       set
       "WARRANTY_PERIOD" = TO_YMINTERVAL('+05-00')
```



```

        where
        "PRODUCT_ID" = '1801' and
        "WARRANTY_PERIOD" = TO_YMINTERVAL('+01-00') and
        ROWID = 'AAAHTKAABAAAY9mAAC';

OE      1.1.1484  commit;

HR      1.11.1476  set transaction read write;

HR      1.11.1476  insert into "HR"."EMPLOYEES"
        values
        "EMPLOYEE_ID" = 306,
        "FIRST_NAME" = 'Nandini',
        "LAST_NAME" = 'Shastry',
        "EMAIL" = 'NSHASTRY',
        "PHONE_NUMBER" = '1234567890',
        "HIRE_DATE" = TO_DATE('10-jan-2003 13:34:43',
        'dd-mon-yyyy hh24:mi:ss',
        "JOB_ID" = 'HR_REP',
        "SALARY" = 120000,
        "COMMISSION_PCT" = .05,
        "MANAGER_ID" = 105,
        "DEPARTMENT_ID" = 10;

HR      1.11.1476  insert into "HR"."EMPLOYEES"
        values
        "EMPLOYEE_ID" = 307,
        "FIRST_NAME" = 'John',
        "LAST_NAME" = 'Silver',
        "EMAIL" = 'JSILVER',
        "PHONE_NUMBER" = '5551112222',
        "HIRE_DATE" = TO_DATE('10-jan-2003 13:41:03',
        'dd-mon-yyyy hh24:mi:ss'),
        "JOB_ID" = 'SH_CLERK',
        "SALARY" = 110000,
        "COMMISSION_PCT" = .05,
        "MANAGER_ID" = 105,
        "DEPARTMENT_ID" = 50;

HR      1.11.1476  commit;

```

### Step 5 Query the V\$LOGMNR\_CONTENTS view for reconstructed SQL\_UNDO statements.

```

SELECT username AS USR, (XIDUSN || '.' || XIDSLT || '.' || XIDSQN) AS XID, SQL_UNDO
FROM V$LOGMNR_CONTENTS;

```

USR	XID	SQL_UNDO
----	-----	-----
OE	1.1.1484	set transaction read write;
OE	1.1.1484	update "OE"."PRODUCT_INFORMATION" set "WARRANTY_PERIOD" = TO_YMINTERVAL('+01-00') where "PRODUCT_ID" = '1799' and "WARRANTY_PERIOD" = TO_YMINTERVAL('+05-00') and ROWID = 'AAAHTKAABAAAY9mAAB';

```
OE      1.1.1484  update "OE"."PRODUCT_INFORMATION"
        set
          "WARRANTY_PERIOD" = TO_YMINTERVAL('+01-00')
        where
          "PRODUCT_ID" = '1801' and
          "WARRANTY_PERIOD" = TO_YMINTERVAL('+05-00') and
          ROWID = 'AAAHTKAABAAAY9mAAC';

OE      1.1.1484  commit;

HR      1.11.1476 set transaction read write;

HR      1.11.1476 delete from "HR"."EMPLOYEES"
        where
          "EMPLOYEE_ID" = 306 and
          "FIRST_NAME" = 'Nandini' and
          "LAST_NAME" = 'Shastry' and
          "EMAIL" = 'NSHASTRY' and
          "PHONE_NUMBER" = '1234567890' and
          "HIRE_DATE" = TO_DATE('10-jan-2003 13:34:43',
          'dd-mon-yyyy hh24:mi:ss') and
          "JOB_ID" = 'HR_REP' and
          "SALARY" = 120000 and
          "COMMISSION_PCT" = .05 and
          "MANAGER_ID" = 105 and
          "DEPARTMENT_ID" = 10 and
          ROWID = 'AAAHSkAABAAAY6rAAO';

HR      1.11.1476 delete from "HR"."EMPLOYEES"
        where
          "EMPLOYEE_ID" = 307 and
          "FIRST_NAME" = 'John' and
          "LAST_NAME" = 'Silver' and
          "EMAIL" = 'JSILVER' and
          "PHONE_NUMBER" = '555122122' and
          "HIRE_DATE" = TO_DATE('10-jan-2003 13:41:03',
          'dd-mon-yyyy hh24:mi:ss') and
          "JOB_ID" = 'SH_CLERK' and
          "SALARY" = 110000 and
          "COMMISSION_PCT" = .05 and
          "MANAGER_ID" = 105 and
          "DEPARTMENT_ID" = 50 and
          ROWID = 'AAAHSkAABAAAY6rAAP';

HR      1.11.1476 commit;
```

**Step 6 End the LogMiner session.**

```
EXECUTE DBMS_LOGMNR.END_LOGMNR();
```

**Example 4: Using the LogMiner Dictionary in the Redo Log Files**

This example shows how to use the dictionary that has been extracted to the redo log files. When you use the dictionary in the online catalog, you must mine the redo log files in the same database that generated them. Using the dictionary contained in the redo log files enables you to mine redo log files in a different database.

**Step 1 Determine which redo log file was most recently archived by the database.**

This example assumes that you know that you want to mine the redo log file that was most recently archived.

```
SELECT NAME, SEQUENCE# FROM V$ARCHIVED_LOG
WHERE FIRST_TIME = (SELECT MAX(FIRST_TIME) FROM V$ARCHIVED_LOG);
```

NAME	SEQUENCE#
/usr/oracle/data/dblarch_1_210_482701534.dbf	210

## Step 2 Find the redo log files containing the dictionary.

The dictionary may be contained in more than one redo log file. Therefore, you need to determine which redo log files contain the start and end of the dictionary. Query the V\$ARCHIVED\_LOG view, as follows:

1. Find a redo log file that contains the end of the dictionary extract. This redo log file must have been created before the redo log file that you want to analyze, but should be as recent as possible.

```
SELECT NAME, SEQUENCE#, DICTIONARY_BEGIN d_beg, DICTIONARY_END d_end
FROM V$ARCHIVED_LOG
WHERE SEQUENCE# = (SELECT MAX (SEQUENCE#) FROM V$ARCHIVED_LOG
WHERE DICTIONARY_END = 'YES' and SEQUENCE# <= 210);
```

NAME	SEQUENCE#	D_BEG	D_END
/usr/oracle/data/dblarch_1_208_482701534.dbf	208	NO	YES

2. Find the redo log file that contains the start of the data dictionary extract that matches the end of the dictionary found in the previous step:

```
SELECT NAME, SEQUENCE#, DICTIONARY_BEGIN d_beg, DICTIONARY_END d_end
FROM V$ARCHIVED_LOG
WHERE SEQUENCE# = (SELECT MAX (SEQUENCE#) FROM V$ARCHIVED_LOG
WHERE DICTIONARY_BEGIN = 'YES' and SEQUENCE# <= 208);
```

NAME	SEQUENCE#	D_BEG	D_END
/usr/oracle/data/dblarch_1_207_482701534.dbf	207	YES	NO

3. Specify the list of the redo log files of interest. Add the redo log files that contain the start and end of the dictionary and the redo log file that you want to analyze. You can add the redo log files in any order.

```
EXECUTE DBMS_LOGMNR.ADD_LOGFILE(-
LOGFILENAME => '/usr/oracle/data/dblarch_1_210_482701534.dbf', -
OPTIONS => DBMS_LOGMNR.NEW);
EXECUTE DBMS_LOGMNR.ADD_LOGFILE(-
LOGFILENAME => '/usr/oracle/data/dblarch_1_208_482701534.dbf');
EXECUTE DBMS_LOGMNR.ADD_LOGFILE(-
LOGFILENAME => '/usr/oracle/data/dblarch_1_207_482701534.dbf');
```

4. Query the V\$LOGMNR\_LOGS view to display the list of redo log files to be analyzed, including their timestamps.

In the output, LogMiner flags a missing redo log file. LogMiner lets you proceed with mining, provided that you do not specify an option that requires the missing redo log file for proper functioning.

```
SQL> SELECT FILENAME AS name, LOW_TIME, HIGH_TIME FROM V$LOGMNR_LOGS;
NAME                                LOW_TIME                            HIGH_TIME
-----
/usr/data/dblarch_1_207_482701534.dbf 10-jan-2003 12:01:34 10-jan-2003 13:32:46
```

```
/usr/data/dblarch_1_208_482701534.dbf 10-jan-2003 13:32:46 10-jan-2003 15:57:03
```

```
Missing logfile(s) for thread number 1, 10-jan-2003 15:57:03 10-jan-2003 15:59:53
sequence number(s) 209 to 209
```

```
/usr/data/dblarch_1_210_482701534.dbf 10-jan-2003 15:59:53 10-jan-2003 16:07:41
```

### Step 3 Start LogMiner.

Start LogMiner by specifying the dictionary to use and the COMMITTED\_DATA\_ONLY and PRINT\_PRETTY\_SQL options.

```
EXECUTE DBMS_LOGMNR.START_LOGMNR (-
    OPTIONS => DBMS_LOGMNR.DICT_FROM_REDO_LOGS + -
              DBMS_LOGMNR.COMMITTED_DATA_ONLY + -
              DBMS_LOGMNR.PRINT_PRETTY_SQL);
```

### Step 4 Query the V\$LOGMNR\_CONTENTS view.

To reduce the number of rows returned by the query, exclude from the query all DML statements done in the SYS or SYSTEM schemas. (This query specifies a timestamp to exclude transactions that were involved in the dictionary extraction.)

The output shows three transactions: two DDL transactions and one DML transaction. The DDL transactions, 1.2.1594 and 1.18.1602, create the table oe.product\_tracking and create a trigger on table oe.product\_information, respectively. In both transactions, the DML statements done to the system tables (tables owned by SYS) are filtered out because of the query predicate.

The DML transaction, 1.9.1598, updates the oe.product\_information table. The update operation in this transaction is fully translated. However, the query output also contains some untranslated reconstructed SQL statements. Most likely, these statements were done on the oe.product\_tracking table that was created after the data dictionary was extracted to the redo log files.

(The next example shows how to run LogMiner with the DDL\_DICT\_TRACKING option so that all SQL statements are fully translated; no binary data is returned.)

```
SELECT USERNAME AS usr, SQL_REDO FROM V$LOGMNR_CONTENTS
WHERE SEG_OWNER IS NULL OR SEG_OWNER NOT IN ('SYS', 'SYSTEM') AND
TIMESTAMP > '10-jan-2003 15:59:53';
```

USR	XID	SQL_REDO
---	-----	-----
SYS	1.2.1594	set transaction read write;
SYS	1.2.1594	create table oe.product_tracking (product_id number not null, modified_time date, old_list_price number(8,2), old_warranty_period interval year(2) to month);
SYS	1.2.1594	commit;
SYS	1.18.1602	set transaction read write;
SYS	1.18.1602	create or replace trigger oe.product_tracking_trigger before update on oe.product_information for each row when (new.list_price <> old.list_price or new.warranty_period <> old.warranty_period) declare begin insert into oe.product_tracking values (:old.product_id, sysdate,

```

                :old.list_price, :old.warranty_period);
            end;
SYS          1.18.1602  commit;
OE           1.9.1598  update "OE"."PRODUCT_INFORMATION"
                set
                    "WARRANTY_PERIOD" = TO_YMINTERVAL('+08-00'),
                    "LIST_PRICE" = 100
                where
                    "PRODUCT_ID" = 1729 and
                    "WARRANTY_PERIOD" = TO_YMINTERVAL('+05-00') and
                    "LIST_PRICE" = 80 and
                    ROWID = 'AAAHTKAABAAAY9yAAA';
OE           1.9.1598  insert into "UNKNOWN"."OBJ# 33415"
                values
                    "COL 1" = HEXTORAW('c2121e'),
                    "COL 2" = HEXTORAW('7867010d110804'),
                    "COL 3" = HEXTORAW('c151'),
                    "COL 4" = HEXTORAW('800000053c');
OE           1.9.1598  update "OE"."PRODUCT_INFORMATION"
                set
                    "WARRANTY_PERIOD" = TO_YMINTERVAL('+08-00'),
                    "LIST_PRICE" = 92
                where
                    "PRODUCT_ID" = 2340 and
                    "WARRANTY_PERIOD" = TO_YMINTERVAL('+05-00') and
                    "LIST_PRICE" = 72 and
                    ROWID = 'AAAHTKAABAAAY9zAAA';
OE           1.9.1598  insert into "UNKNOWN"."OBJ# 33415"
                values
                    "COL 1" = HEXTORAW('c21829'),
                    "COL 2" = HEXTORAW('7867010d110808'),
                    "COL 3" = HEXTORAW('c149'),
                    "COL 4" = HEXTORAW('800000053c');
OE           1.9.1598  commit;

```

### Step 5 Issue additional queries, if desired.

Display all the DML statements that were executed as part of the CREATE TABLE DDL statement. This includes statements executed by users and internally by Oracle.

---

**Note:** If you choose to reapply statements displayed by a query such as the one shown here, reapply DDL statements only. Do not reapply DML statements that were executed internally by Oracle, or you risk corrupting your database. In the following output, the only statement that you should use in a reapply operation is the CREATE TABLE OE.PRODUCT\_TRACKING statement.

---

```

SELECT SQL_REDO FROM V$LOGMNR_CONTENTS
       WHERE XIDUSN = 1 and XIDSLT = 2 and XIDSQN = 1594;

```

```
SQL_REDO
```

```
-----
set transaction read write;
```

```
insert into "SYS"."OBJ$"
values
  "OBJ#" = 33415,
  "DATAOBJ#" = 33415,
  "OWNER#" = 37,
  "NAME" = 'PRODUCT_TRACKING',
  "NAMESPACE" = 1,
  "SUBNAME" IS NULL,
  "TYPE#" = 2,
  "CTIME" = TO_DATE('13-jan-2003 14:01:03', 'dd-mon-yyyy hh24:mi:ss'),
  "MTIME" = TO_DATE('13-jan-2003 14:01:03', 'dd-mon-yyyy hh24:mi:ss'),
  "STIME" = TO_DATE('13-jan-2003 14:01:03', 'dd-mon-yyyy hh24:mi:ss'),
  "STATUS" = 1,
  "REMOTEOWNER" IS NULL,
  "LINKNAME" IS NULL,
  "FLAGS" = 0,
  "OID$" IS NULL,
  "SPARE1" = 6,
  "SPARE2" = 1,
  "SPARE3" IS NULL,
  "SPARE4" IS NULL,
  "SPARE5" IS NULL,
  "SPARE6" IS NULL;
```

```
insert into "SYS"."TAB$"
values
  "OBJ#" = 33415,
  "DATAOBJ#" = 33415,
  "TS#" = 0,
  "FILE#" = 1,
  "BLOCK#" = 121034,
  "BOBJ#" IS NULL,
  "TAB#" IS NULL,
  "COLS" = 5,
  "CLUCOLS" IS NULL,
  "PCTFREE$" = 10,
  "PCTUSED$" = 40,
  "INITRANS" = 1,
  "MAXTRANS" = 255,
  "FLAGS" = 1,
  "AUDIT$" = '-----',
  "ROWCNT" IS NULL,
  "BLKCNT" IS NULL,
  "EMPCNT" IS NULL,
  "AVGSPC" IS NULL,
  "CHNCNT" IS NULL,
  "AVGRLN" IS NULL,
  "AVGSPC_FLB" IS NULL,
  "FLECNT" IS NULL,
  "ANALYZETIME" IS NULL,
  "SAMPLESIZE" IS NULL,
  "DEGREE" IS NULL,
  "INSTANCES" IS NULL,
  "INTCOLS" = 5,
  "KERNELCOLS" = 5,
  "PROPERTY" = 536870912,
  "TRIGFLAG" = 0,
  "SPARE1" = 178,
  "SPARE2" IS NULL,
```

```

"SPARE3" IS NULL,
"SPARE4" IS NULL,
"SPARE5" IS NULL,
"SPARE6" = TO_DATE('13-jan-2003 14:01:05', 'dd-mon-yyyy hh24:mi:ss'),

insert into "SYS"."COL$"
values
"OBJ#" = 33415,
"COL#" = 1,
"SEGCOL#" = 1,
"SEGCOLLENGTH" = 22,
"OFFSET" = 0,
"NAME" = 'PRODUCT_ID',
"TYPE#" = 2,
"LENGTH" = 22,
"FIXEDSTORAGE" = 0,
"PRECISION#" IS NULL,
"SCALE" IS NULL,
"NULL$" = 1,
"DEFLLENGTH" IS NULL,
"SPARE6" IS NULL,
"INTCOL#" = 1,
"PROPERTY" = 0,
"CHARSETID" = 0,
"CHARSETFORM" = 0,
"SPARE1" = 0,
"SPARE2" = 0,
"SPARE3" = 0,
"SPARE4" IS NULL,
"SPARE5" IS NULL,
"DEFAULT$" IS NULL;

insert into "SYS"."COL$"
values
"OBJ#" = 33415,
"COL#" = 2,
"SEGCOL#" = 2,
"SEGCOLLENGTH" = 7,
"OFFSET" = 0,
"NAME" = 'MODIFIED_TIME',
"TYPE#" = 12,
"LENGTH" = 7,
"FIXEDSTORAGE" = 0,
"PRECISION#" IS NULL,
"SCALE" IS NULL,
"NULL$" = 0,
"DEFLLENGTH" IS NULL,
"SPARE6" IS NULL,
"INTCOL#" = 2,
"PROPERTY" = 0,
"CHARSETID" = 0,
"CHARSETFORM" = 0,
"SPARE1" = 0,
"SPARE2" = 0,
"SPARE3" = 0,
"SPARE4" IS NULL,
"SPARE5" IS NULL,
"DEFAULT$" IS NULL;

insert into "SYS"."COL$"

```

```
values
  "OBJ#" = 33415,
  "COL#" = 3,
  "SEGCOL#" = 3,
  "SEGCOLLENGTH" = 22,
  "OFFSET" = 0,
  "NAME" = 'OLD_LIST_PRICE',
  "TYPE#" = 2,
  "LENGTH" = 22,
  "FIXEDSTORAGE" = 0,
  "PRECISION#" = 8,
  "SCALE" = 2,
  "NULL$" = 0,
  "DEFLLENGTH" IS NULL,
  "SPARE6" IS NULL,
  "INTCOL#" = 3,
  "PROPERTY" = 0,
  "CHARSETID" = 0,
  "CHARSETFORM" = 0,
  "SPARE1" = 0,
  "SPARE2" = 0,
  "SPARE3" = 0,
  "SPARE4" IS NULL,
  "SPARE5" IS NULL,
  "DEFAULT$" IS NULL;
```

```
insert into "SYS"."COL$"
values
  "OBJ#" = 33415,
  "COL#" = 4,
  "SEGCOL#" = 4,
  "SEGCOLLENGTH" = 5,
  "OFFSET" = 0,
  "NAME" = 'OLD_WARRANTY_PERIOD',
  "TYPE#" = 182,
  "LENGTH" = 5,
  "FIXEDSTORAGE" = 0,
  "PRECISION#" = 2,
  "SCALE" = 0,
  "NULL$" = 0,
  "DEFLLENGTH" IS NULL,
  "SPARE6" IS NULL,
  "INTCOL#" = 4,
  "PROPERTY" = 0,
  "CHARSETID" = 0,
  "CHARSETFORM" = 0,
  "SPARE1" = 0,
  "SPARE2" = 2,
  "SPARE3" = 0,
  "SPARE4" IS NULL,
  "SPARE5" IS NULL,
  "DEFAULT$" IS NULL;
```

```
insert into "SYS"."CCOL$"
values
  "OBJ#" = 33415,
  "CON#" = 2090,
  "COL#" = 1,
  "POS#" IS NULL,
  "INTCOL#" = 1,
```



```

"SPARE1" = 0,
"SPARE2" IS NULL,
"SPARE3" IS NULL,
"SPARE4" IS NULL,
"SPARE5" IS NULL,
"SPARE6" IS NULL;

insert into "SYS"."CDEF$"
values
"OBJ#" = 33415,
"CON#" = 2090,
"COLS" = 1,
"TYPE#" = 7,
"ROBJ#" IS NULL,
"RCON#" IS NULL,
"RRULES" IS NULL,
"MATCH#" IS NULL,
"REFACT" IS NULL,
"ENABLED" = 1,
"CONDLLENGTH" = 24,
"SPARE6" IS NULL,
"INTCOLS" = 1,
"MTIME" = TO_DATE('13-jan-2003 14:01:08', 'dd-mon-yyyy hh24:mi:ss'),
"DEFER" = 12,
"SPARE1" = 6,
"SPARE2" IS NULL,
"SPARE3" IS NULL,
"SPARE4" IS NULL,
"SPARE5" IS NULL,
"CONDITION" = '"PRODUCT_ID" IS NOT NULL';

create table oe.product_tracking (product_id number not null,
modified_time date,
old_product_description varchar2(2000),
old_list_price number(8,2),
old_warranty_period interval year(2) to month);

update "SYS"."SEG$"
set
"TYPE#" = 5,
"BLOCKS" = 5,
"EXTENTS" = 1,
"INIXEXTS" = 5,
"MINEXTS" = 1,
"MAXEXTS" = 121,
"EXTSIZE" = 5,
"EXTPCT" = 50,
"USER#" = 37,
"LISTS" = 0,
"GROUPS" = 0,
"CACHEHINT" = 0,
"HWMINCR" = 33415,
"SPARE1" = 1024
where
"TS#" = 0 and
"FILE#" = 1 and
"BLOCK#" = 121034 and
"TYPE#" = 3 and
"BLOCKS" = 5 and
"EXTENTS" = 1 and

```

```

"INIXEXTS" = 5 and
"MINEXTS" = 1 and
"MAXEXTS" = 121 and
"EXTSIZE" = 5 and
"EXTPCT" = 50 and
"USER#" = 37 and
"LISTS" = 0 and
"GROUPS" = 0 and
"BITMAPRANGES" = 0 and
"CACHEHINT" = 0 and
"SCANHINT" = 0 and
"HWMINCR" = 33415 and
"SPARE1" = 1024 and
"SPARE2" IS NULL and
ROWID = 'AAAAAIAABAAAdMOAAB';

insert into "SYS"."CON$"
values
  "OWNER#" = 37,
  "NAME" = 'SYS_C002090',
  "CON#" = 2090,
  "SPARE1" IS NULL,
  "SPARE2" IS NULL,
  "SPARE3" IS NULL,
  "SPARE4" IS NULL,
  "SPARE5" IS NULL,
  "SPARE6" IS NULL;

commit;

```

**Step 6 End the LogMiner session.**

```
EXECUTE DBMS_LOGMNR.END_LOGMNR();
```

**Example 5: Tracking DDL Statements in the Internal Dictionary**

By using the `DBMS_LOGMNR.DDL_DICT_TRACKING` option, this example ensures that the LogMiner internal dictionary is updated with the DDL statements encountered in the redo log files.

**Step 1 Determine which redo log file was most recently archived by the database.**

This example assumes that you know that you want to mine the redo log file that was most recently archived.

```
SELECT NAME, SEQUENCE# FROM V$ARCHIVED_LOG
WHERE FIRST_TIME = (SELECT MAX(FIRST_TIME) FROM V$ARCHIVED_LOG);
```

NAME	SEQUENCE#
-----	-----
/usr/oracle/data/dblarch_1_210_482701534.dbf	210

**Step 2 Find the dictionary in the redo log files.**

Because the dictionary may be contained in more than one redo log file, you need to determine which redo log files contain the start and end of the data dictionary. Query the `V$ARCHIVED_LOG` view, as follows:

1. Find a redo log that contains the end of the data dictionary extract. This redo log file must have been created before the redo log files that you want to analyze, but should be as recent as possible.

```

SELECT NAME, SEQUENCE#, DICTIONARY_BEGIN d_beg, DICTIONARY_END d_end
FROM V$ARCHIVED_LOG
WHERE SEQUENCE# = (SELECT MAX (SEQUENCE#) FROM V$ARCHIVED_LOG
WHERE DICTIONARY_END = 'YES' and SEQUENCE# < 210);

```

NAME	SEQUENCE#	D_BEG	D_END
/usr/oracle/data/dblarch_1_208_482701534.dbf	208	NO	YES

- Find the redo log file that contains the start of the data dictionary extract that matches the end of the dictionary found by the previous SQL statement:

```

SELECT NAME, SEQUENCE#, DICTIONARY_BEGIN d_beg, DICTIONARY_END d_end
FROM V$ARCHIVED_LOG
WHERE SEQUENCE# = (SELECT MAX (SEQUENCE#) FROM V$ARCHIVED_LOG
WHERE DICTIONARY_BEGIN = 'YES' and SEQUENCE# <= 208);

```

NAME	SEQUENCE#	D_BEG	D_END
/usr/oracle/data/dblarch_1_208_482701534.dbf	207	YES	NO

### Step 3 Make sure you have a complete list of redo log files.

To successfully apply DDL statements encountered in the redo log files, ensure that all files are included in the list of redo log files to mine. The missing log file corresponding to sequence# 209 must be included in the list. Determine the names of the redo log files that you need to add to the list by issuing the following query:

```

SELECT NAME FROM V$ARCHIVED_LOG
WHERE SEQUENCE# >= 207 AND SEQUENCE# <= 210
ORDER BY SEQUENCE# ASC;

```

NAME
/usr/oracle/data/dblarch_1_207_482701534.dbf
/usr/oracle/data/dblarch_1_208_482701534.dbf
/usr/oracle/data/dblarch_1_209_482701534.dbf
/usr/oracle/data/dblarch_1_210_482701534.dbf

### Step 4 Specify the list of the redo log files of interest.

Include the redo log files that contain the beginning and end of the dictionary, the redo log file that you want to mine, and any redo log files required to create a list without gaps. You can add the redo log files in any order.

```

EXECUTE DBMS_LOGMNR.ADD_LOGFILE(-
LOGFILENAME => '/usr/oracle/data/dblarch_1_210_482701534.dbf', -
OPTIONS => DBMS_LOGMNR.NEW);
EXECUTE DBMS_LOGMNR.ADD_LOGFILE(-
LOGFILENAME => '/usr/oracle/data/dblarch_1_209_482701534.dbf');
EXECUTE DBMS_LOGMNR.ADD_LOGFILE(-
LOGFILENAME => '/usr/oracle/data/dblarch_1_208_482701534.dbf');
EXECUTE DBMS_LOGMNR.ADD_LOGFILE(-
LOGFILENAME => '/usr/oracle/data/dblarch_1_207_482701534.dbf');

```

### Step 5 Start LogMiner.

Start LogMiner by specifying the dictionary to use and the DDL\_DICT\_TRACKING, COMMITTED\_DATA\_ONLY, and PRINT\_PRETTY\_SQL options.

```
EXECUTE DBMS_LOGMNR.START_LOGMNR(-
  OPTIONS => DBMS_LOGMNR.DICT_FROM_REDO_LOGS + -
            DBMS_LOGMNR.DDL_DICT_TRACKING + -
            DBMS_LOGMNR.COMMITTED_DATA_ONLY + -
            DBMS_LOGMNR.PRINT_PRETTY_SQL);
```

### Step 6 Query the V\$LOGMNR\_CONTENTS view.

To reduce the number of rows returned, exclude from the query all DML statements done in the SYS or SYSTEM schemas. (This query specifies a timestamp to exclude transactions that were involved in the dictionary extraction.)

The query returns all the reconstructed SQL statements correctly translated and the insert operations on the oe.product\_tracking table that occurred because of the trigger execution.

```
SELECT USERNAME AS usr, (XIDUSN || '.' || XIDSLT || '.' || XIDSQN) as XID, SQL_REDO FROM
  V$LOGMNR_CONTENTS
  WHERE SEG_OWNER IS NULL OR SEG_OWNER NOT IN ('SYS', 'SYSTEM') AND
  TIMESTAMP > '10-jan-2003 15:59:53';
```

USR	XID	SQL_REDO
-----	-----	-----
SYS	1.2.1594	set transaction read write;
SYS	1.2.1594	create table oe.product_tracking (product_id number not null, modified_time date, old_list_price number(8,2), old_warranty_period interval year(2) to month);
SYS	1.2.1594	commit;
SYS	1.18.1602	set transaction read write;
SYS	1.18.1602	create or replace trigger oe.product_tracking_trigger before update on oe.product_information for each row when (new.list_price <> old.list_price or new.warranty_period <> old.warranty_period) declare begin insert into oe.product_tracking values (:old.product_id, sysdate, :old.list_price, :old.warranty_period); end;
SYS	1.18.1602	commit;
OE	1.9.1598	update "OE"."PRODUCT_INFORMATION" set "WARRANTY_PERIOD" = TO_YMINTERVAL('+08-00'), "LIST_PRICE" = 100 where "PRODUCT_ID" = 1729 and "WARRANTY_PERIOD" = TO_YMINTERVAL('+05-00') and "LIST_PRICE" = 80 and ROWID = 'AAAHTKAABAAAY9yAAA';
OE	1.9.1598	insert into "OE"."PRODUCT_TRACKING" values "PRODUCT_ID" = 1729, "MODIFIED_TIME" = TO_DATE('13-jan-2003 16:07:03', 'dd-mon-yyyy hh24:mi:ss'), "OLD_LIST_PRICE" = 80, "OLD_WARRANTY_PERIOD" = TO_YMINTERVAL('+05-00');

```

OE          1.9.1598      update "OE"."PRODUCT_INFORMATION"
                                set
                                    "WARRANTY_PERIOD" = TO_YMINTERVAL('+08-00'),
                                    "LIST_PRICE" = 92
                                where
                                    "PRODUCT_ID" = 2340 and
                                    "WARRANTY_PERIOD" = TO_YMINTERVAL('+05-00') and
                                    "LIST_PRICE" = 72 and
                                    ROWID = 'AAAHTKAABAAAY9zAAA';

OE          1.9.1598      insert into "OE"."PRODUCT_TRACKING"
                                values
                                    "PRODUCT_ID" = 2340,
                                    "MODIFIED_TIME" = TO_DATE('13-jan-2003 16:07:07',
'dd-mon-yyyy hh24:mi:ss'),
                                    "OLD_LIST_PRICE" = 72,
                                    "OLD_WARRANTY_PERIOD" = TO_YMINTERVAL('+05-00');

OE          1.9.1598      commit;

```

### Step 7 End the LogMiner session.

```
EXECUTE DBMS_LOGMNR.END_LOGMNR();
```

### Example 6: Filtering Output by Time Range

In the previous two examples, rows were filtered by specifying a timestamp-based predicate (`timestamp > '10-jan-2003 15:59:53'`) in the query. However, a more efficient way to filter out redo records based on timestamp values is by specifying the time range in the `DBMS_LOGMNR.START_LOGMNR` procedure call, as shown in this example.

### Step 1 Create a list of redo log files to mine.

Suppose you want to mine redo log files generated since a given time. The following procedure creates a list of redo log files based on a specified time. The subsequent SQL `EXECUTE` statement calls the procedure and specifies the starting time as 2 p.m. on Jan-13-2003.

```

--
-- my_add_logfiles
-- Add all archived logs generated after a specified start_time.
--
CREATE OR REPLACE PROCEDURE my_add_logfiles (in_start_time IN DATE) AS
    CURSOR c_log IS
        SELECT NAME FROM V$ARCHIVED_LOG
            WHERE FIRST_TIME >= in_start_time;

    count      pls_integer := 0;
    my_option  pls_integer := DBMS_LOGMNR.NEW;

BEGIN
    FOR c_log_rec IN c_log
    LOOP
        DBMS_LOGMNR.ADD_LOGFILE(LOGFILENAME => c_log_rec.name,
                                OPTIONS => my_option);
        my_option := DBMS_LOGMNR.ADDFILE;
        DBMS_OUTPUT.PUT_LINE('Added logfile ' || c_log_rec.name);
    END LOOP;
END;
/

```

```
EXECUTE my_add_logfiles(in_start_time => '13-jan-2003 14:00:00');
```

### Step 2 Query the V\$LOGMNR\_LOGS to see the list of redo log files.

This example includes the size of the redo log files in the output.

```
SELECT FILENAME name, LOW_TIME start_time, FILESIZE bytes
FROM V$LOGMNR_LOGS;
```

NAME	START_TIME	BYTES
/usr/orcl/arch1_310_482932022.dbf	13-jan-2003 14:02:35	23683584
/usr/orcl/arch1_311_482932022.dbf	13-jan-2003 14:56:35	2564096
/usr/orcl/arch1_312_482932022.dbf	13-jan-2003 15:10:43	23683584
/usr/orcl/arch1_313_482932022.dbf	13-jan-2003 15:17:52	23683584
/usr/orcl/arch1_314_482932022.dbf	13-jan-2003 15:23:10	23683584
/usr/orcl/arch1_315_482932022.dbf	13-jan-2003 15:43:22	23683584
/usr/orcl/arch1_316_482932022.dbf	13-jan-2003 16:03:10	23683584
/usr/orcl/arch1_317_482932022.dbf	13-jan-2003 16:33:43	23683584
/usr/orcl/arch1_318_482932022.dbf	13-jan-2003 17:23:10	23683584

### Step 3 Adjust the list of redo log files.

Suppose you realize that you want to mine just the redo log files generated between 3 p.m. and 4 p.m.

You could use the query predicate (`timestamp > '13-jan-2003 15:00:00'` and `timestamp < '13-jan-2003 16:00:00'`) to accomplish this. However, the query predicate is evaluated on each row returned by LogMiner, and the internal mining engine does not filter rows based on the query predicate. Thus, although you only wanted to get rows out of redo log files `arch1_311_482932022.dbf` to `arch1_315_482932022.dbf`, your query would result in mining all redo log files registered to the LogMiner session.

Furthermore, although you could use the query predicate and manually remove the redo log files that do not fall inside the time range of interest, the simplest solution is to specify the time range of interest in the `DBMS_LOGMNR.START_LOGMNR` procedure call.

Although this does not change the list of redo log files, LogMiner will mine only those redo log files that fall in the time range specified.

```
EXECUTE DBMS_LOGMNR.START_LOGMNR(-
  STARTTIME => '13-jan-2003 15:00:00', -
  ENDTIME   => '13-jan-2003 16:00:00', -
  OPTIONS   => DBMS_LOGMNR.DICT_FROM_ONLINE_CATALOG + -
              DBMS_LOGMNR.COMMITTED_DATA_ONLY + -
              DBMS_LOGMNR.PRINT_PRETTY_SQL);
```

### Step 4 Query the V\$LOGMNR\_CONTENTS view.

```
SELECT TIMESTAMP, (XIDUSN || '.' || XIDSLT || '.' || XIDSQN) AS XID,
SQL_REDO FROM V$LOGMNR_CONTENTS WHERE SEG_OWNER = 'OE';
```

TIMESTAMP	XID	SQL_REDO
13-jan-2003 15:29:31	1.17.2376	update "OE"."PRODUCT_INFORMATION" set "WARRANTY_PERIOD" = TO_YMINTERVAL('+05-00') where "PRODUCT_ID" = 3399 and "WARRANTY_PERIOD" = TO_YMINTERVAL('+02-00') and ROWID = 'AAAHTKAABAAAY9TAAE';
13-jan-2003 15:29:34	1.17.2376	insert into "OE"."PRODUCT_TRACKING"

```

values
"PRODUCT_ID" = 3399,
"MODIFIED_TIME" = TO_DATE('13-jan-2003 15:29:34',
'dd-mon-yyyy hh24:mi:ss'),
"OLD_LIST_PRICE" = 815,
"OLD_WARRANTY_PERIOD" = TO_YMINTERVAL('+02-00');

13-jan-2003 15:52:43  1.15.1756  update "OE"."PRODUCT_INFORMATION"
set
"WARRANTY_PERIOD" = TO_YMINTERVAL('+05-00')
where
"PRODUCT_ID" = 1768 and
"WARRANTY_PERIOD" = TO_YMINTERVAL('+02-00') and
ROWID = 'AAHTKAABAAAY9UAAB';

13-jan-2003 15:52:43  1.15.1756  insert into "OE"."PRODUCT_TRACKING"
values
"PRODUCT_ID" = 1768,
"MODIFIED_TIME" = TO_DATE('13-jan-2003 16:52:43',
'dd-mon-yyyy hh24:mi:ss'),
"OLD_LIST_PRICE" = 715,
"OLD_WARRANTY_PERIOD" = TO_YMINTERVAL('+02-00');

```

### Step 5 End the LogMiner session.

```
EXECUTE DBMS_LOGMNR.END_LOGMNR();
```

## Examples of Mining Without Specifying the List of Redo Log Files Explicitly

The previous set of examples explicitly specified the redo log file or files to be mined. However, if you are mining in the same database that generated the redo log files, then you can mine the appropriate list of redo log files by just specifying the time (or SCN) range of interest. To mine a set of redo log files without explicitly specifying them, use the `DBMS_LOGMNR.CONTINUOUS_MINE` option to the `DBMS_LOGMNR.START_LOGMNR` procedure, and specify either a time range or an SCN range of interest.

This section contains the following list of examples; these examples are best read in sequential order, because each example builds on the example or examples that precede it:

- [Example 1: Mining Redo Log Files in a Given Time Range](#)
- [Example 2: Mining the Redo Log Files in a Given SCN Range](#)
- [Example 3: Using Continuous Mining to Include Future Values in a Query](#)

The SQL output formatting may be different on your display than that shown in these examples.

### Example 1: Mining Redo Log Files in a Given Time Range

This example is similar to [Example 4: Using the LogMiner Dictionary in the Redo Log Files](#) on page 18-48, except the list of redo log files are not specified explicitly. This example assumes that you want to use the data dictionary extracted to the redo log files.

#### Step 1 Determine the timestamp of the redo log file that contains the start of the data dictionary.

```
SELECT NAME, FIRST_TIME FROM V$ARCHIVED_LOG
WHERE SEQUENCE# = (SELECT MAX(SEQUENCE#) FROM V$ARCHIVED_LOG
WHERE DICTIONARY_BEGIN = 'YES');
```

```

NAME                                     FIRST_TIME
-----
/usr/oracle/data/dblarch_1_207_482701534.dbf  10-jan-2003 12:01:34

```

### Step 2 Display all the redo log files that have been generated so far.

This step is not required, but is included to demonstrate that the CONTINUOUS\_MINE option works as expected, as will be shown in Step 4.

```

SELECT FILENAME name FROM V$LOGMNR_LOGS
       WHERE LOW_TIME > '10-jan-2003 12:01:34';

```

```

NAME
-----
/usr/oracle/data/dblarch_1_207_482701534.dbf
/usr/oracle/data/dblarch_1_208_482701534.dbf
/usr/oracle/data/dblarch_1_209_482701534.dbf
/usr/oracle/data/dblarch_1_210_482701534.dbf

```

### Step 3 Start LogMiner.

Start LogMiner by specifying the dictionary to use and the COMMITTED\_DATA\_ONLY, PRINT\_PRETTY\_SQL, and CONTINUOUS\_MINE options.

```

EXECUTE DBMS_LOGMNR.START_LOGMNR(-
    STARTTIME => '10-jan-2003 12:01:34', -
    ENDTIME => SYSDATE, -
    OPTIONS => DBMS_LOGMNR.DICT_FROM_REDO_LOGS + -
              DBMS_LOGMNR.COMMITTED_DATA_ONLY + -
              DBMS_LOGMNR.PRINT_PRETTY_SQL + -
              DBMS_LOGMNR.CONTINUOUS_MINE);

```

### Step 4 Query the V\$LOGMNR\_LOGS view.

This step shows that the DBMS\_LOGMNR.START\_LOGMNR procedure with the CONTINUOUS\_MINE option includes all of the redo log files that have been generated so far, as expected. (Compare the output in this step to the output in Step 2.)

```

SELECT FILENAME name FROM V$LOGMNR_LOGS;

```

```

NAME
-----
/usr/oracle/data/dblarch_1_207_482701534.dbf
/usr/oracle/data/dblarch_1_208_482701534.dbf
/usr/oracle/data/dblarch_1_209_482701534.dbf
/usr/oracle/data/dblarch_1_210_482701534.dbf

```

### Step 5 Query the V\$LOGMNR\_CONTENTS view.

To reduce the number of rows returned by the query, exclude all DML statements done in the SYS or SYSTEM schema. (This query specifies a timestamp to exclude transactions that were involved in the dictionary extraction.)

Note that all reconstructed SQL statements returned by the query are correctly translated.

```

SELECT USERNAME AS usr, (XIDUSN || '.' || XIDSLT || '.' || XIDSQN) as XID,
       SQL_REDO FROM V$LOGMNR_CONTENTS
       WHERE SEG_OWNER IS NULL OR SEG_OWNER NOT IN ('SYS', 'SYSTEM') AND
       TIMESTAMP > '10-jan-2003 15:59:53';

```

```

USR          XID          SQL_REDO

```



```

-----
SYS      1.2.1594  set transaction read write;
SYS      1.2.1594  create table oe.product_tracking (product_id number not null,
                                modified_time date,
                                old_list_price number(8,2),
                                old_warranty_period interval year(2) to month);
SYS      1.2.1594  commit;

SYS      1.18.1602 set transaction read write;
SYS      1.18.1602 create or replace trigger oe.product_tracking_trigger
                                before update on oe.product_information
                                for each row
                                when (new.list_price <> old.list_price or
                                        new.warranty_period <> old.warranty_period)
                                declare
                                begin
                                insert into oe.product_tracking values
                                    (:old.product_id, sysdate,
                                    :old.list_price, :old.warranty_period);
                                end;
SYS      1.18.1602 commit;

OE       1.9.1598  update "OE"."PRODUCT_INFORMATION"
                                set
                                    "WARRANTY_PERIOD" = TO_YMINTERVAL('+08-00'),
                                    "LIST_PRICE" = 100
                                where
                                    "PRODUCT_ID" = 1729 and
                                    "WARRANTY_PERIOD" = TO_YMINTERVAL('+05-00') and
                                    "LIST_PRICE" = 80 and
                                    ROWID = 'AAAHTKAABAAAY9yAAA';
OE       1.9.1598  insert into "OE"."PRODUCT_TRACKING"
                                values
                                    "PRODUCT_ID" = 1729,
                                    "MODIFIED_TIME" = TO_DATE('13-jan-2003 16:07:03',
                                    'dd-mon-yyyy hh24:mi:ss'),
                                    "OLD_LIST_PRICE" = 80,
                                    "OLD_WARRANTY_PERIOD" = TO_YMINTERVAL('+05-00');

OE       1.9.1598  update "OE"."PRODUCT_INFORMATION"
                                set
                                    "WARRANTY_PERIOD" = TO_YMINTERVAL('+08-00'),
                                    "LIST_PRICE" = 92
                                where
                                    "PRODUCT_ID" = 2340 and
                                    "WARRANTY_PERIOD" = TO_YMINTERVAL('+05-00') and
                                    "LIST_PRICE" = 72 and
                                    ROWID = 'AAAHTKAABAAAY9zAAA';

OE       1.9.1598  insert into "OE"."PRODUCT_TRACKING"
                                values
                                    "PRODUCT_ID" = 2340,
                                    "MODIFIED_TIME" = TO_DATE('13-jan-2003 16:07:07',
                                    'dd-mon-yyyy hh24:mi:ss'),
                                    "OLD_LIST_PRICE" = 72,
                                    "OLD_WARRANTY_PERIOD" = TO_YMINTERVAL('+05-00');

OE       1.9.1598  commit;

```

**Step 6 End the LogMiner session.**

```
EXECUTE DBMS_LOGMNR.END_LOGMNR();
```

**Example 2: Mining the Redo Log Files in a Given SCN Range**

This example shows how to specify an SCN range of interest and mine the redo log files that satisfy that range. You can use LogMiner to see all committed DML statements whose effects have not yet been made permanent in the datafiles.

Note that in this example (unlike the other examples) it is not assumed that you have set the `NLS_DATE_FORMAT` parameter.

**Step 1 Determine the SCN of the last checkpoint taken.**

```
SELECT CHECKPOINT_CHANGE#, CURRENT_SCN FROM V$DATABASE;
```

```
CHECKPOINT_CHANGE#  CURRENT_SCN
-----
56453576            56454208
```

**Step 2 Start LogMiner and specify the CONTINUOUS\_MINE option.**

```
EXECUTE DBMS_LOGMNR.START_LOGMNR (-
  STARTSCN => 56453576, -
  ENDSN    => 56454208, -
  OPTIONS  => DBMS_LOGMNR.DICT_FROM_ONLINE_CATALOG + -
             DBMS_LOGMNR.COMMITTED_DATA_ONLY + -
             DBMS_LOGMNR.PRINT_PRETTY_SQL + -
             DBMS_LOGMNR.CONTINUOUS_MINE);
```

**Step 3 Display the list of archived redo log files added by LogMiner.**

```
SELECT FILENAME name, LOW_SCN, NEXT_SCN FROM V$LOGMNR_LOGS;
```

```
NAME                                     LOW_SCN  NEXT_SCN
-----
/usr/oracle/data/dblarch_1_215_482701534.dbf 56316771 56453579
```

Note that the redo log file that LogMiner added does not contain the whole SCN range. When you specify the `CONTINUOUS_MINE` option, LogMiner adds only archived redo log files when you call the `DBMS_LOGMNR.START_LOGMNR` procedure. LogMiner will add the rest of the SCN range contained in the online redo log files automatically, as needed during the query execution. Use the following query to determine whether the redo log file added is the latest archived redo log file produced.

```
SELECT NAME FROM V$ARCHIVED_LOG
  WHERE SEQUENCE# = (SELECT MAX(SEQUENCE#) FROM V$ARCHIVED_LOG);
```

```
NAME
-----
/usr/oracle/data/dblarch_1_215_482701534.dbf
```

**Step 4 Query the V\$LOGMNR\_CONTENTS view for changes made to the user tables.**

The following query does not return the `SET TRANSACTION READ WRITE` and `COMMIT` statements associated with transaction 1.6.1911 because these statements do not have a segment owner (`SEG_OWNER`) associated with them.

Note that the default `NLS_DATE_FORMAT`, 'DD-MON-RR', is used to display the column `MODIFIED_TIME` of type `DATE`.

```
SELECT SCN, (XIDUSN || '.' || XIDSLT || '.' || XIDSQN) as XID, SQL_REDO
  FROM V$LOGMNR_CONTENTS
  WHERE SEG_OWNER NOT IN ('SYS', 'SYSTEM');
```

```

SCN          XID          SQL_REDO
-----
56454198    1.6.1911    update "OE"."PRODUCT_INFORMATION"
              set
              "WARRANTY_PERIOD" = TO_YMINTERVAL('+05-00')
              where
              "PRODUCT_ID" = 2430 and
              "WARRANTY_PERIOD" = TO_YMINTERVAL('+02-00') and
              ROWID = 'AAAHTKAABAAAY9AAAC';

56454199    1.6.1911    insert into "OE"."PRODUCT_TRACKING"
              values
              "PRODUCT_ID" = 2430,
              "MODIFIED_TIME" = TO_DATE('17-JAN-03', 'DD-MON-RR'),
              "OLD_LIST_PRICE" = 175,
              "OLD_WARRANTY_PERIOD" = TO_YMINTERVAL('+02-00');

56454204    1.6.1911    update "OE"."PRODUCT_INFORMATION"
              set
              "WARRANTY_PERIOD" = TO_YMINTERVAL('+05-00')
              where
              "PRODUCT_ID" = 2302 and
              "WARRANTY_PERIOD" = TO_YMINTERVAL('+02-00') and
              ROWID = 'AAAHTKAABAAAY9QAAA';

56454206    1.6.1911    insert into "OE"."PRODUCT_TRACKING"
              values
              "PRODUCT_ID" = 2302,
              "MODIFIED_TIME" = TO_DATE('17-JAN-03', 'DD-MON-RR'),
              "OLD_LIST_PRICE" = 150,
              "OLD_WARRANTY_PERIOD" = TO_YMINTERVAL('+02-00');

```

### Step 5 End the LogMiner session.

```
EXECUTE DBMS_LOGMNR.END_LOGMNR();
```

### Example 3: Using Continuous Mining to Include Future Values in a Query

To specify that a query not finish until some future time occurs or SCN is reached, use the `CONTINUOUS_MINE` option and set either the `ENDTIME` or `ENDSCAN` option in your call to the `DBMS_LOGMNR.START_LOGMNR` procedure to a time in the future or to an SCN value that has not yet been reached.

This examples assumes that you want to monitor all changes made to the table `hr.employees` from now until 5 hours from now, and that you are using the dictionary in the online catalog.

#### Step 1 Start LogMiner.

```
EXECUTE DBMS_LOGMNR.START_LOGMNR (-
  STARTTIME => SYSDATE, -
  ENDTIME   => SYSDATE + 5/24, -
  OPTIONS   => DBMS_LOGMNR.CONTINUOUS_MINE + -
             DBMS_LOGMNR.DICT_FROM_ONLINE_CATALOG);
```

#### Step 2 Query the V\$LOGMNR\_CONTENTS view.

This select operation will not complete until it encounters the first redo log file record that is generated after the time range of interest (5 hours from now). You can end the select operation prematurely by entering `Ctrl+C`.

This example specifies the `SET ARRAYSIZE` statement so that rows are displayed as they are entered in the redo log file. If you do not specify the `SET ARRAYSIZE` statement, rows are not returned until the SQL internal buffer is full.

```
SET ARRAYSIZE 1;
SELECT USERNAME AS usr, SQL_REDO FROM V$LOGMNR_CONTENTS
WHERE SEG_OWNER = 'HR' AND TABLE_NAME = 'EMPLOYEES';
```

### Step 3 End the LogMiner session.

```
EXECUTE DBMS_LOGMNR.END_LOGMNR();
```

## Example Scenarios

The examples in this section demonstrate how to use LogMiner for typical scenarios. This section includes the following examples:

- [Scenario 1: Using LogMiner to Track Changes Made by a Specific User](#)
- [Scenario 2: Using LogMiner to Calculate Table Access Statistics](#)

### Scenario 1: Using LogMiner to Track Changes Made by a Specific User

This example shows how to see all changes made to the database in a specific time range by a single user: `joe devo`. Connect to the database and then take the following steps:

1. Create the LogMiner dictionary file.

To use LogMiner to analyze `joe devo`'s data, you must either create a LogMiner dictionary file before any table definition changes are made to tables that `joe devo` uses or use the online catalog at LogMiner startup. See [Extract a LogMiner Dictionary](#) on page 18-38 for examples of creating LogMiner dictionaries. This example uses a LogMiner dictionary that has been extracted to the redo log files.

2. Add redo log files.

Assume that `joe devo` has made some changes to the database. You can now specify the names of the redo log files that you want to analyze, as follows:

```
EXECUTE DBMS_LOGMNR.ADD_LOGFILE( -
LOGFILENAME => 'log1orc1.ora', -
OPTIONS => DBMS_LOGMNR.NEW);
```

If desired, add additional redo log files, as follows:

```
EXECUTE DBMS_LOGMNR.ADD_LOGFILE( -
LOGFILENAME => 'log2orc1.ora', -
OPTIONS => DBMS_LOGMNR.ADDFILE);
```

3. Start LogMiner and limit the search to the specified time range:

```
EXECUTE DBMS_LOGMNR.START_LOGMNR( -
DICTFILENAME => 'orcldict.ora', -
STARTTIME => TO_DATE('01-Jan-1998 08:30:00', 'DD-MON-YYYY HH:MI:SS'), -
ENDTIME => TO_DATE('01-Jan-1998 08:45:00', 'DD-MON-YYYY HH:MI:SS'));
```

4. Query the `V$LOGMNR_CONTENTS` view.

At this point, the V\$LOGMNR\_CONTENTS view is available for queries. You decide to find all of the changes made by user joedevo to the salary table. Execute the following SELECT statement:

```
SELECT SQL_REDO, SQL_UNDO FROM V$LOGMNR_CONTENTS
       WHERE USERNAME = 'joedevo' AND SEG_NAME = 'salary';
```

For both the SQL\_REDO and SQL\_UNDO columns, two rows are returned (the format of the data display will be different on your screen). You discover that joedevo requested two operations: he deleted his old salary and then inserted a new, higher salary. You now have the data necessary to undo this operation.

SQL_REDO	SQL_UNDO
-----	-----
delete from SALARY where EMPNO = 12345 and NAME='JOEDEVO' and SAL=500;	insert into SALARY(NAME, EMPNO, SAL) values ('JOEDEVO', 12345, 500)
 insert into SALARY(NAME, EMPNO, SAL) values ('JOEDEVO',12345, 2500)	 delete from SALARY where EMPNO = 12345 and NAME = 'JOEDEVO' and SAL = 2500;
2 rows selected	

#### 5. End the LogMiner session.

Use the DBMS\_LOGMNR.END\_LOGMNR procedure to finish the LogMiner session properly:

```
DBMS_LOGMNR.END_LOGMNR( );
```

## Scenario 2: Using LogMiner to Calculate Table Access Statistics

In this example, assume you manage a direct marketing database and want to determine how productive the customer contacts have been in generating revenue for a 2-week period in January. Assume that you have already created the LogMiner dictionary and added the redo log files that you want to search (as demonstrated in the previous example). Take the following steps:

#### 1. Start LogMiner and specify a range of times:

```
EXECUTE DBMS_LOGMNR.START_LOGMNR( -
  STARTTIME => TO_DATE('07-Jan-2003 08:30:00','DD-MON-YYYY HH:MI:SS'), -
  ENDTIME => TO_DATE('21-Jan-2003 08:45:00','DD-MON-YYYY HH:MI:SS'), -
  DICTFILENAME => '/usr/local/dict.ora');
```

#### 2. Query the V\$LOGMNR\_CONTENTS view to determine which tables were modified in the time range you specified, as shown in the following example. (This query filters out system tables that traditionally have a \$ in their name.)

```
SELECT SEG_OWNER, SEG_NAME, COUNT(*) AS Hits FROM
       V$LOGMNR_CONTENTS WHERE SEG_NAME NOT LIKE '%$' GROUP BY
       SEG_OWNER, SEG_NAME ORDER BY Hits DESC;
```

#### 3. The following data is displayed. (The format of your display may be different.)

SEG_OWNER	SEG_NAME	Hits
-----	-----	----
CUST	ACCOUNT	384
UNIV	EXECDONOR	325
UNIV	DONOR	234
UNIV	MEGADONOR	32

HR	EMPLOYEES	12
SYS	DONOR	12

The values in the `HITS` column show the number of times that the named table had an insert, delete, or update operation performed on it during the 2-week period specified in the query. In this example, the `cust.account` table was modified the most during the specified 2-week period, and the `hr.employees` and `sys.donor` tables were modified the least during the same time period.

4. End the LogMiner session.

Use the `DBMS_LOGMNR.END_LOGMNR` procedure to finish the LogMiner session properly:

```
DBMS_LOGMNR.END_LOGMNR( );
```

## Supported Datatypes, Storage Attributes, and Database and Redo Log File Versions

The following sections provide information about datatype and storage attribute support and the versions of the database and redo log files supported:

- [Supported Datatypes and Table Storage Attributes](#)
- [Unsupported Datatypes and Table Storage Attributes](#)
- [Supported Databases and Redo Log File Versions](#)

### Supported Datatypes and Table Storage Attributes

LogMiner supports the following datatypes and table storage attributes:

- CHAR
- NCHAR
- VARCHAR2 and VARCHAR
- NVARCHAR2
- NUMBER
- DATE
- TIMESTAMP
- TIMESTAMP WITH TIME ZONE
- TIMESTAMP WITH LOCAL TIME ZONE
- INTERVAL YEAR TO MONTH
- INTERVAL DAY TO SECOND
- RAW
- CLOB
- NCLOB
- BLOB
- LONG
- LONG RAW
- BINARY\_FLOAT

- BINARY\_DOUBLE
- Index-organized tables (IOTs), including those with overflows or LOB columns
- Function-based indexes
- XMLTYPE data when it is stored in CLOB format

Support for multibyte CLOBs is available only for redo logs generated by a database with compatibility set to a value of 10.1 or higher.

Support for LOB and LONG data types is available only for redo logs generated by a database with compatibility set to a value of 9.2.0.0 or higher.

Support for index-organized tables without overflow segment or with no LOB columns in them is available only for redo logs generated by a database with compatibility set to 10.0.0.0 or higher. Support for index-organized tables with overflow segment or with LOB columns is available only for redo logs generated by a database with compatibility set to 10.2.0.0 or higher.

## Unsupported Datatypes and Table Storage Attributes

LogMiner does not support these datatypes and table storage attributes:

- BFILE datatype
- Simple and nested abstract datatypes (ADTs)
- Collections (nested tables and VARRAYs)
- Object refs
- Tables using table compression
- SecureFiles

## Supported Databases and Redo Log File Versions

LogMiner runs only on databases of release 8.1 or later, but you can use it to analyze redo log files from release 8.0 databases. However, the information that LogMiner is able to retrieve from a redo log file depends on the version of the log, not the version of the database in use. For example, redo log files for Oracle9i can be augmented to capture additional information when supplemental logging is enabled. This allows LogMiner functionality to be used to its fullest advantage. Redo log files created with older releases of Oracle will not have that additional data and may therefore have limitations on the operations and datatypes supported by LogMiner.

**See Also:** [Steps in a Typical LogMiner Session](#) on page 18-37 and [Supplemental Logging](#) on page 18-26





---

---

## Using the Metadata API

This chapter describes the Metadata application programming interface (API), which provides a means for you to do the following:

- Retrieve an object's metadata as XML
- Transform the XML in a variety of ways, including transforming it into SQL DDL
- Submit the XML to re-create the object extracted by the retrieval

The following topics are discussed in this chapter:

- [Why Use the Metadata API?](#)
- [Overview of the Metadata API](#)
- [Using the Metadata API to Retrieve an Object's Metadata](#)
- [Using the Metadata API to Re-Create a Retrieved Object](#)
- [Retrieving Collections of Different Object Types](#)
- [Performance Tips for the Programmatic Interface of the Metadata API](#)
- [Example Usage of the Metadata API](#)
- [Summary of DBMS\\_METADATA Procedures](#)

### Why Use the Metadata API?

Over time, as you have used the Oracle database, you may have developed your own code for extracting metadata from the dictionary, manipulating the metadata (adding columns, changing column datatypes, and so on) and then converting the metadata to DDL so that you could re-create the object on the same or another database. Keeping that code updated to support new dictionary features has probably proven to be challenging.

The Metadata API eliminates the need for you to write and maintain your own code for metadata extraction. It provides a centralized facility for the extraction, manipulation, and resubmission of dictionary metadata. And it supports all dictionary objects at their most current level.

Although the Metadata API can dramatically decrease the amount of custom code you are writing and maintaining, it does not involve any changes to your normal database procedures. The Metadata API is installed in the same way as data dictionary views, by running `catproc.sql` to invoke a SQL script at database installation time. Once it is installed, it is available whenever the instance is operational, even in restricted mode.

The Metadata API does not require you to make any source code changes when you change database versions because it is upwardly compatible across different Oracle versions. XML documents retrieved by one version can be processed by the submit interface on the same or later version. For example, XML documents retrieved by an Oracle9i database can be submitted to Oracle Database 10g.

## Overview of the Metadata API

For the purposes of the Metadata API, every entity in the database is modeled as an object that belongs to an object type. For example, the table `scott.emp` is an object and its object type is `TABLE`. When you fetch an object's metadata you must specify the object type.

In order to fetch a particular object or set of objects within an object type, you specify a filter. Different filters are defined for each object type. For example, two of the filters defined for the `TABLE` object type are `SCHEMA` and `NAME`. They allow you to say, for example, that you want the table whose schema is `scott` and whose name is `emp`.

The Metadata API makes use of XML (Extensible Markup Language) and XSLT (Extensible Stylesheet Language Transformation). The Metadata API represents object metadata as XML because it is a universal format that can be easily parsed and transformed. The Metadata API uses XSLT to transform XML documents into either other XML documents or into SQL DDL.

You can use the Metadata API to specify one or more transforms (XSLT scripts) to be applied to the XML when the metadata is fetched (or when it is resubmitted). The API provides some predefined transforms, including one named `DDL` that transforms the XML document into SQL creation DDL.

You can then specify conditions on the transform by using transform parameters. You can also specify optional parse items to access specific attributes of an object's metadata. For more details about all of these options, as well as examples of their implementation, see the following sections:

- [Using the Metadata API to Retrieve an Object's Metadata](#)
- [Using the Metadata API to Re-Create a Retrieved Object](#)
- [Retrieving Collections of Different Object Types](#)

## Using the Metadata API to Retrieve an Object's Metadata

The Metadata API's retrieval interface lets you specify the kind of object to be retrieved. This can be either a particular object type (such as a table, index, or procedure) or a heterogeneous collection of object types that form a logical unit (such as a database export or schema export). By default, metadata that you fetch is returned in an XML document.

---

---

**Note:** To access objects that are not in your own schema you must have the `SELECT_CATALOG_ROLE` role. However, roles are disabled within many PL/SQL objects (stored procedures, functions, definer's rights packages). Therefore, if you are writing a PL/SQL program that will access objects in another schema (or, in general, any objects for which you need the `SELECT_CATALOG_ROLE` role), you must put the code in an invoker's rights package.

---

---

You can use the programmatic interface for casual browsing, or you can use it to develop applications. You would use the browsing interface if you simply wanted to make ad hoc queries of the system metadata. You would use the programmatic interface when you want to extract dictionary metadata as part of an application. In such cases, the procedures provided by the Metadata API can be used in place of SQL scripts and customized code that you may be currently using to do the same thing.

## Typical Steps Used for Basic Metadata Retrieval

When you retrieve metadata, you use the `DBMS_METADATA` PL/SQL package, which contains procedures for the Metadata API. The following examples illustrate the programmatic and browsing interfaces.

### See Also:

- [Table 19-1](#) for descriptions of `DBMS_METADATA` procedures used in the programmatic interface
- [Table 19-2](#) for descriptions of `DBMS_METADATA` procedures used in the browsing interface
- *Oracle Database PL/SQL Packages and Types Reference* for a complete description of the `DBMS_METADATA` package.

[Example 19-1](#) provides a basic demonstration of how you might use the Metadata API programmatic interface to retrieve metadata for one table. It creates a Metadata API program that creates a function named `get_table_md`. This function returns metadata for one table.

### Example 19-1 Using the `DBMS_METADATA` Programmatic Interface to Retrieve Data

1. Create a Metadata API program that creates a function named `get_table_md`, which will return the metadata for one table, `timecards`, in the `hr` schema. The content of such a program looks as follows. (For this example, we will name the program `metadata_program.sql`.)

```
CREATE OR REPLACE FUNCTION get_table_md RETURN CLOB IS
-- Define local variables.
h NUMBER; --handle returned by OPEN
th NUMBER; -- handle returned by ADD_TRANSFORM
doc CLOB;
BEGIN

-- Specify the object type.
h := DBMS_METADATA.OPEN('TABLE');

-- Use filters to specify the particular object desired.
DBMS_METADATA.SET_FILTER(h, 'SCHEMA', 'HR');
DBMS_METADATA.SET_FILTER(h, 'NAME', 'TIMECARDS');

-- Request that the metadata be transformed into creation DDL.
th := DBMS_METADATA.ADD_TRANSFORM(h, 'DDL');

-- Fetch the object.
doc := DBMS_METADATA.FETCH_CLOB(h);

-- Release resources.
DBMS_METADATA.CLOSE(h);
RETURN doc;
END;
```

- /
2. Connect as user `hr`.
  3. Run the program to create the `get_table_md` function:
 

```
SQL> @metadata_program
```
  4. Use the newly created `get_table_md` function in a select operation. To generate complete, uninterrupted output, set the `PAGESIZE` to 0 and set `LONG` to some large number, as shown, before executing your query:
 

```
SQL> SET PAGESIZE 0
SQL> SET LONG 1000000
SQL> SELECT get_table_md FROM dual;
```
  5. The output, which shows the metadata for the `timecards` table in the `hr` schema, looks similar to the following:

```
CREATE TABLE "HR"."TIMECARDS"
  ( "EMPLOYEE_ID" NUMBER(6,0),
    "WEEK" NUMBER(2,0),
    "JOB_ID" VARCHAR2(10),
    "HOURS_WORKED" NUMBER(4,2),
    FOREIGN KEY ("EMPLOYEE_ID")
      REFERENCES "HR"."EMPLOYEES" ("EMPLOYEE_ID") ENABLE
  ) PCTFREE 10 PCTUSED 40 INITRANS 1 MAXTRANS 255 NOCOMPRESS LOGGING
  STORAGE(INITIAL 65536 NEXT 1048576 MINEXTENTS 1 MAXEXTENTS 2147483645
  PCTINCREASE 0 FREELISTS 1 FREELIST GROUPS 1 BUFFER_POOL DEFAULT)
  TABLESPACE "EXAMPLE"
```

You can use the browsing interface and get the same results, as shown in [Example 19-2](#).

**Example 19-2 Using the DBMS\_METADATA Browsing Interface to Retrieve Data**

```
SQL> SET PAGESIZE 0
SQL> SET LONG 1000000
SQL> SELECT DBMS_METADATA.GET_DDL('TABLE', 'TIMECARDS', 'HR') FROM dual;
```

The results will be the same as shown in step 5 for [Example 19-1](#).

## Retrieving Multiple Objects

In [Example 19-1](#), the `FETCH_CLOB` procedure was called only once, because it was known that there was only one object. However, you can also retrieve multiple objects, for example, all the tables in schema `scott`. To do this, you need to use the following construct:

```
LOOP
  doc := DBMS_METADATA.FETCH_CLOB(h);
  --
  -- When there are no more objects to be retrieved, FETCH_CLOB returns NULL.
  --
  EXIT WHEN doc IS NULL;
END LOOP;
```

[Example 19-3](#) demonstrates use of this construct and retrieving multiple objects. Connect as user `scott` for this example. The password is `tiger`.

**Example 19–3 Retrieving Multiple Objects**

-- Because not all objects can be returned, they are stored in a table and queried at the end.

```

DROP TABLE my_metadata;
CREATE TABLE my_metadata (md clob);
CREATE OR REPLACE PROCEDURE get_tables_md IS
-- Define local variables
h      NUMBER;          -- handle returned by 'OPEN'
th     NUMBER;          -- handle returned by 'ADD_TRANSFORM'
doc    CLOB;            -- metadata is returned in a CLOB
BEGIN
-- Specify the object type.
h := DBMS_METADATA.OPEN('TABLE');

-- Use filters to specify the schema.
DBMS_METADATA.SET_FILTER(h, 'SCHEMA', 'SCOTT');

-- Request that the metadata be transformed into creation DDL.
th := DBMS_METADATA.ADD_TRANSFORM(h, 'DDL');

-- Fetch the objects.
LOOP
  doc := DBMS_METADATA.FETCH_CLOB(h);

  -- When there are no more objects to be retrieved, FETCH_CLOB returns NULL.
  EXIT WHEN doc IS NULL;

  -- Store the metadata in a table.
  INSERT INTO my_metadata(md) VALUES (doc);
  COMMIT;
END LOOP;

-- Release resources.
DBMS_METADATA.CLOSE(h);
END;
/
-- Execute the procedure.

EXECUTE get_tables_md;

-- See what was retrieved.

SET LONG 9000000
SET PAGES 0
SELECT * FROM my_metadata;

```

**Placing Conditions on Transforms**

You can use transform parameters to specify conditions on the transforms you add. To do this, you use the `SET_TRANSFORM_PARAM` procedure. For example, if you have added the DDL transform for a TABLE object, you can specify the `SEGMENT_ATTRIBUTES` transform parameter to indicate that you do not want segment attributes (physical, storage, logging, and so on) to appear in the DDL. The default is that segment attributes do appear in the DDL.

[Example 19–4](#) shows use of the `SET_TRANSFORM_PARAM` procedure.

**Example 19–4 Placing Conditions on Transforms**

```

CREATE OR REPLACE FUNCTION get_table_md RETURN CLOB IS
-- Define local variables.
  h   NUMBER; -- handle returned by 'OPEN'
  th  NUMBER; -- handle returned by 'ADD_TRANSFORM'
  doc CLOB;
BEGIN
  -- Specify the object type.
  h := DBMS_METADATA.OPEN('TABLE');

  -- Use filters to specify the particular object desired.
  DBMS_METADATA.SET_FILTER(h,'SCHEMA','HR');
  DBMS_METADATA.SET_FILTER(h,'NAME','TIMECARDS');

  -- Request that the metadata be transformed into creation DDL.
  th := dbms_metadata.add_transform(h,'DDL');

  -- Specify that segment attributes are not to be returned.
  -- Note that this call uses the TRANSFORM handle, not the OPEN handle.
  DBMS_METADATA.SET_TRANSFORM_PARAM(th,'SEGMENT_ATTRIBUTES',false);

  -- Fetch the object.
  doc := DBMS_METADATA.FETCH_CLOB(h);

  -- Release resources.
  DBMS_METADATA.CLOSE(h);

  RETURN doc;
END;
/

```

When you execute the SQL statement (`SELECT get_table_md FROM DUAL;`), the output looks similar to the following:

```

CREATE TABLE "HR"."TIMECARDS"
(
  "EMPLOYEE_ID" NUMBER(6,0),
  "WEEK" NUMBER(2,0),
  "JOB_ID" VARCHAR2(10),
  "HOURS_WORKED" NUMBER(4,2),
  FOREIGN KEY ("EMPLOYEE_ID")
    REFERENCES "HR"."EMPLOYEES" ("EMPLOYEE_ID") ENABLE
)

```

The examples shown up to this point have used a single transform, the DDL transform. The Metadata API also enables you to specify multiple transforms, with the output of the first being the input to the next and so on.

Oracle supplies a transform called `MODIFY` that modifies an XML document. You can do things like change schema names or tablespace names. To do this, you use `remap` parameters and the `SET_REMAP_PARAM` procedure.

[Example 19–5](#) shows a sample use of the `SET_REMAP_PARAM` procedure. It first adds the `MODIFY` transform and specifies `remap` parameters to change the schema name from `hr` to `scott`. It then adds the DDL transform. The output of the `MODIFY` transform is an XML document that becomes the input to the DDL transform. The end result is the creation DDL for the `timecards` table with all instances of schema `hr` changed to `scott`.

**Example 19–5 Modifying an XML Document**

```

CREATE OR REPLACE FUNCTION remap_schema RETURN CLOB IS
-- Define local variables.
h NUMBER; --handle returned by OPEN
th NUMBER; -- handle returned by ADD_TRANSFORM
doc CLOB;
BEGIN

-- Specify the object type.
h := DBMS_METADATA.OPEN('TABLE');

-- Use filters to specify the particular object desired.
DBMS_METADATA.SET_FILTER(h, 'SCHEMA', 'HR');
DBMS_METADATA.SET_FILTER(h, 'NAME', 'TIMECARDS');

-- Request that the schema name be modified.
th := DBMS_METADATA.ADD_TRANSFORM(h, 'MODIFY');
DBMS_METADATA.SET_REMAP_PARAM(th, 'REMAP_SCHEMA', 'HR', 'SCOTT');

-- Request that the metadata be transformed into creation DDL.
th := DBMS_METADATA.ADD_TRANSFORM(h, 'DDL');

-- Specify that segment attributes are not to be returned.

DBMS_METADATA.SET_TRANSFORM_PARAM(th, 'SEGMENT_ATTRIBUTES', false);

-- Fetch the object.
doc := DBMS_METADATA.FETCH_CLOB(h);

-- Release resources.
DBMS_METADATA.CLOSE(h);
RETURN doc;
END;
/

```

When you execute the SQL statement (`SELECT remap_schema FROM DUAL;`), the output looks similar to the following:

```

CREATE TABLE "SCOTT"."TIMECARDS"
(
  "EMPLOYEE_ID" NUMBER(6,0),
  "WEEK" NUMBER(2,0),
  "JOB_ID" VARCHAR2(10),
  "HOURS_WORKED" NUMBER(4,2),
  FOREIGN KEY ("EMPLOYEE_ID")
    REFERENCES "SCOTT"."EMPLOYEES" ("EMPLOYEE_ID") ENABLE
)

```

If you are familiar with XSLT, you can add your own user-written transforms to process the XML.

**Accessing Specific Metadata Attributes**

It is often desirable to access specific attributes of an object's metadata, for example, its name or schema. You could get this information by parsing the returned metadata, but the Metadata API provides another mechanism; you can specify parse items, specific attributes that will be parsed out of the metadata and returned in a separate data structure. To do this, you use the `SET_PARSE_ITEM` procedure.

[Example 19–6](#) fetches all tables in a schema. For each table, a parse item is used to get its name. The name is then used to get all indexes on the table. The example illustrates

the use of the `FETCH_DDL` function, which returns metadata in a `sys.ku$_ddl`s object.

This example assumes you are connected to a schema that contains some tables and indexes. It also creates a table named `my_metadata`.

**Example 19–6 Using Parse Items to Access Specific Metadata Attributes**

```
DROP TABLE my_metadata;
CREATE TABLE my_metadata (
  object_type VARCHAR2(30),
  name        VARCHAR2(30),
  md          CLOB);
CREATE OR REPLACE PROCEDURE get_tables_and_indexes IS
-- Define local variables.
h1      NUMBER;      -- handle returned by OPEN for tables
h2      NUMBER;      -- handle returned by OPEN for indexes
th1     NUMBER;      -- handle returned by ADD_TRANSFORM for tables
th2     NUMBER;      -- handle returned by ADD_TRANSFORM for indexes
doc     sys.ku$_ddl;  -- metadata is returned in sys.ku$_ddl,
                    -- a nested table of sys.ku$_ddl objects
ddl     CLOB;        -- creation DDL for an object
pi      sys.ku$_parsed_items; -- parse items are returned in this object
                    -- which is contained in sys.ku$_ddl
objname VARCHAR2(30); -- the parsed object name
BEGIN
  -- This procedure has an outer loop that fetches tables,
  -- and an inner loop that fetches indexes.

  -- Specify the object type: TABLE.
  h1 := DBMS_METADATA.OPEN('TABLE');

  -- Request that the table name be returned as a parse item.
  DBMS_METADATA.SET_PARSE_ITEM(h1, 'NAME');

  -- Request that the metadata be transformed into creation DDL.
  th1 := DBMS_METADATA.ADD_TRANSFORM(h1, 'DDL');

  -- Specify that segment attributes are not to be returned.
  DBMS_METADATA.SET_TRANSFORM_PARAM(th1, 'SEGMENT_ATTRIBUTES', false);

  -- Set up the outer loop: fetch the TABLE objects.
  LOOP
    doc := dbms_metadata.fetch_ddl(h1);

    -- When there are no more objects to be retrieved, FETCH_DDL returns NULL.
    EXIT WHEN doc IS NULL;

    -- Loop through the rows of the ku$_ddl nested table.
    FOR i IN doc.FIRST..doc.LAST LOOP
      ddl := doc(i).ddlText;
      pi := doc(i).parsedItems;
      -- Loop through the returned parse items.
      IF pi IS NOT NULL AND pi.COUNT > 0 THEN
        FOR j IN pi.FIRST..pi.LAST LOOP
          IF pi(j).item='NAME' THEN
            objname := pi(j).value;
          END IF;
        END LOOP;
      END IF;
      -- Insert information about this object into our table.
```



```

INSERT INTO my_metadata(object_type, name, md)
VALUES ('TABLE',objname,ddl);
COMMIT;
END LOOP;

-- Now fetch indexes using the parsed table name as
-- a BASE_OBJECT_NAME filter.

-- Specify the object type.
h2 := DBMS_METADATA.OPEN('INDEX');

-- The base object is the table retrieved in the outer loop.
DBMS_METADATA.SET_FILTER(h2,'BASE_OBJECT_NAME',objname);

-- Exclude system-generated indexes.
DBMS_METADATA.SET_FILTER(h2,'SYSTEM_GENERATED',false);

-- Request that the metadata be transformed into creation DDL.
th2 := DBMS_METADATA.ADD_TRANSFORM(h2,'DDL');

-- Specify that segment attributes are not to be returned.
DBMS_METADATA.SET_TRANSFORM_PARAM(th2,'SEGMENT_ATTRIBUTES',false);

-- Set up the inner loop: fetch the INDEX objects.
LOOP
DDL := DBMS_METADATA.FETCH_CLOB(h2);

-- When there are no more objects to be retrieved, FETCH_CLOB returns NULL.
EXIT WHEN ddl IS NULL;

-- Store the metadata in our table.
INSERT INTO my_metadata(object_type, name, md)
VALUES ('INDEX',NULL,ddl);
COMMIT;
END LOOP;
DBMS_METADATA.CLOSE(h2);
END LOOP;
DBMS_METADATA.CLOSE(h1);
END;
/

-- Execute the procedure.

EXECUTE get_tables_and_indexes;

-- Perform a query to check what was retrieved.

SET LONG 9000000
SET PAGES 0
SELECT * FROM my_metadata;

```

## Using the Metadata API to Re-Create a Retrieved Object

When you fetch metadata for an object, you may want to use it to re-create the object in a different database or schema.

You may not be ready to make remapping decisions when you fetch the metadata. You may want to defer these decisions until later. To accomplish this, you fetch the metadata as XML and store it in a file or table. Later you can use the submit interface to re-create the object.

The submit interface is similar in form to the retrieval interface. It has an `OPENW` procedure in which you specify the object type of the object to be created. You can specify transforms, transform parameters, and parse items. You can call the `CONVERT` function to convert the XML to DDL, or you can call the `PUT` function to both convert XML to DDL and submit the DDL to create the object.

**See Also:** [Table 19-3](#) on page 19-20 for descriptions of `DBMS_METADATA` procedures and functions used in the submit interface

[Example 19-7](#) fetches the XML for a table in one schema, and then uses the submit interface to re-create the table in another schema.

**Example 19-7 Using the Submit Interface to Re-Create a Retrieved Object**

```
-- Connect as a privileged user.

CONNECT system
Enter password: password

-- Create an invoker's rights package to hold the procedure
-- because access to objects in another schema requires the
-- SELECT_CATALOG_ROLE role. In a definer's rights PL/SQL object
-- (such as a procedure or function), roles are disabled.

CREATE OR REPLACE PACKAGE example_pkg AUTHID current_user IS
  PROCEDURE move_table(
    table_name in VARCHAR2,
    from_schema in VARCHAR2,
    to_schema in VARCHAR2 );
END example_pkg;
/
CREATE OR REPLACE PACKAGE BODY example_pkg IS
  PROCEDURE move_table(
    table_name in VARCHAR2,
    from_schema in VARCHAR2,
    to_schema in VARCHAR2 ) IS

    -- Define local variables.
    h1 NUMBER;          -- handle returned by OPEN
    h2 NUMBER;          -- handle returned by OPENW
    th1 NUMBER;         -- handle returned by ADD_TRANSFORM for MODIFY
    th2 NUMBER;         -- handle returned by ADD_TRANSFORM for DDL
    xml CLOB;           -- XML document
    errs sys.ku$_SubmitResults := sys.ku$_SubmitResults();
    err sys.ku$_SubmitResult;
    result BOOLEAN;
  BEGIN

    -- Specify the object type.
    h1 := DBMS_METADATA.OPEN('TABLE');

    -- Use filters to specify the name and schema of the table.
    DBMS_METADATA.SET_FILTER(h1, 'NAME', table_name);
    DBMS_METADATA.SET_FILTER(h1, 'SCHEMA', from_schema);

    -- Fetch the XML.
    xml := DBMS_METADATA.FETCH_CLOB(h1);
    IF xml IS NULL THEN
      DBMS_OUTPUT.PUT_LINE('Table ' || from_schema || '.' || table_name
```

```

|| ' not found');
    RETURN;
END IF;

-- Release resources.
DBMS_METADATA.CLOSE(h1);

-- Use the submit interface to re-create the object in another schema.

-- Specify the object type using OPENW (instead of OPEN).
h2 := DBMS_METADATA.OPENW('TABLE');

-- First, add the MODIFY transform.
th1 := DBMS_METADATA.ADD_TRANSFORM(h2, 'MODIFY');

-- Specify the desired modification: remap the schema name.
DBMS_METADATA.SET_REMAP_PARAM(th1, 'REMAP_SCHEMA', from_schema, to_schema);

-- Now add the DDL transform so that the modified XML can be
-- transformed into creation DDL.
th2 := DBMS_METADATA.ADD_TRANSFORM(h2, 'DDL');

-- Call PUT to re-create the object.
result := DBMS_METADATA.PUT(h2, xml, 0, errs);

DBMS_METADATA.CLOSE(h2);
IF NOT result THEN
    -- Process the error information.
    FOR i IN errs.FIRST..errs.LAST LOOP
        err := errs(i);
        FOR j IN err.errorLines.FIRST..err.errorLines.LAST LOOP
            dbms_output.put_line(err.errorLines(j).errorText);
        END LOOP;
    END LOOP;
END IF;
END;
END example_pkg;
/

-- Now try it: create a table in SCOTT...

CONNECT scott
Enter password:
-- The password is tiger.

DROP TABLE my_example;
CREATE TABLE my_example (a NUMBER, b VARCHAR2(30));

CONNECT system
Enter password: password

SET LONG 9000000
SET PAGESIZE 0
SET SERVEROUTPUT ON SIZE 100000

-- ...and copy it to SYSTEM.

DROP TABLE my_example;
EXECUTE example_pkg.move_table('MY_EXAMPLE', 'SCOTT', 'SYSTEM');

```

```
-- Verify that it worked.  
  
SELECT DBMS_METADATA.GET_DDL('TABLE', 'MY_EXAMPLE') FROM dual;
```

## Retrieving Collections of Different Object Types

There may be times when you need to retrieve collections of objects in which the objects are of different types, but comprise a logical unit. For example, you might need to retrieve all the objects in a database or a schema, or a table and all its dependent indexes, constraints, grants, audits, and so on. To make such a retrieval possible, the Metadata API provides a number of heterogeneous object types. A heterogeneous object type is an ordered set of object types.

Oracle supplies a number of heterogeneous object types:

- `TABLE_EXPORT` - a table and its dependent objects
- `SCHEMA_EXPORT` - a schema and its contents
- `DATABASE_EXPORT` - the objects in the database

These object types were developed for use by the Data Pump Export utility, but you can use them in your own applications.

You can use only the programmatic retrieval interface (`OPEN`, `FETCH`, `CLOSE`) with these types, not the browsing interface or the submit interface.

You can specify filters for heterogeneous object types, just as you do for the homogeneous types. For example, you can specify the `SCHEMA` and `NAME` filters for `TABLE_EXPORT`, or the `SCHEMA` filter for `SCHEMA_EXPORT`.

[Example 19-8](#) shows how to retrieve the object types in the `scott` schema. Connect as user `scott`. The password is `tiger`.

### **Example 19-8** Retrieving Heterogeneous Object Types

```
-- Create a table to store the retrieved objects.  
DROP TABLE my_metadata;  
CREATE TABLE my_metadata (md CLOB);  
CREATE OR REPLACE PROCEDURE get_schema_md IS  
  
-- Define local variables.  
h      NUMBER;          -- handle returned by OPEN  
th     NUMBER;         -- handle returned by ADD_TRANSFORM  
doc    CLOB;           -- metadata is returned in a CLOB  
BEGIN  
  
-- Specify the object type.  
h := DBMS_METADATA.OPEN('SCHEMA_EXPORT');  
  
-- Use filters to specify the schema.  
DBMS_METADATA.SET_FILTER(h, 'SCHEMA', 'SCOTT');  
  
-- Request that the metadata be transformed into creation DDL.  
th := DBMS_METADATA.ADD_TRANSFORM(h, 'DDL');  
  
-- Fetch the objects.  
LOOP  
    doc := DBMS_METADATA.FETCH_CLOB(h);  
  
    -- When there are no more objects to be retrieved, FETCH_CLOB returns NULL.  
    EXIT WHEN doc IS NULL;
```

```

-- Store the metadata in the table.
INSERT INTO my_metadata(md) VALUES (doc);
COMMIT;
END LOOP;

-- Release resources.
DBMS_METADATA.CLOSE(h);
END;
/
-- Execute the procedure.

EXECUTE get_schema_md;

-- See what was retrieved.

SET LONG 9000000
SET PAGESIZE 0
SELECT * FROM my_metadata;

```

Note the following about this example:

The objects are returned ordered by object type; for example, all tables are returned, then all grants on tables, then all indexes on tables, and so on. The order is, generally speaking, a valid creation order. Thus, if you take the objects in the order in which they were returned and use the submit interface to re-create them in the same order in another schema or database, there will usually be no errors. (The exceptions usually involve circular references; for example, if package A contains a call to package B, and package B contains a call to package A, then one of the packages will need to be recompiled a second time.)

## Filtering the Return of Heterogeneous Object Types

If you want finer control of the objects returned, you can use the `SET_FILTER` procedure and specify that the filter apply only to a specific member type. You do this by specifying the path name of the member type as the fourth parameter to `SET_FILTER`. In addition, you can use the `EXCLUDE_PATH_EXPR` filter to exclude all objects of an object type. For a list of valid path names, see the `TABLE_EXPORT_OBJECTS` catalog view.

[Example 19-9](#) shows how you can use `SET_FILTER` to specify finer control on the objects returned. Connect as user `scott`. The password is `tiger`.

### **Example 19-9 Filtering the Return of Heterogeneous Object Types**

```

-- Create a table to store the retrieved objects.
DROP TABLE my_metadata;
CREATE TABLE my_metadata (md CLOB);
CREATE OR REPLACE PROCEDURE get_schema_md2 IS

-- Define local variables.
h      NUMBER;          -- handle returned by 'OPEN'
th     NUMBER;          -- handle returned by 'ADD_TRANSFORM'
doc    CLOB;            -- metadata is returned in a CLOB
BEGIN

-- Specify the object type.
h := DBMS_METADATA.OPEN('SCHEMA_EXPORT');

-- Use filters to specify the schema.

```

```
DBMS_METADATA.SET_FILTER(h, 'SCHEMA', 'SCOTT');

-- Use the fourth parameter to SET_FILTER to specify a filter
-- that applies to a specific member object type.
DBMS_METADATA.SET_FILTER(h, 'NAME_EXPR', '!='MY_METADATA'', 'TABLE');

-- Use the EXCLUDE_PATH_EXPR filter to exclude procedures.
DBMS_METADATA.SET_FILTER(h, 'EXCLUDE_PATH_EXPR', '='PROCEDURE'');

-- Request that the metadata be transformed into creation DDL.
th := DBMS_METADATA.ADD_TRANSFORM(h, 'DDL');

-- Use the fourth parameter to SET_TRANSFORM_PARAM to specify a parameter
-- that applies to a specific member object type.
DBMS_METADATA.SET_TRANSFORM_PARAM(th, 'SEGMENT_ATTRIBUTES', false, 'TABLE');

-- Fetch the objects.
LOOP
  doc := dbms_metadata.fetch_clob(h);

  -- When there are no more objects to be retrieved, FETCH_CLOB returns NULL.
  EXIT WHEN doc IS NULL;

  -- Store the metadata in the table.
  INSERT INTO my_metadata(md) VALUES (doc);
  COMMIT;
END LOOP;

-- Release resources.
DBMS_METADATA.CLOSE(h);
END;
/
-- Execute the procedure.

EXECUTE get_schema_md2;

-- See what was retrieved.

SET LONG 9000000
SET PAGESIZE 0
SELECT * FROM my_metadata;
```

## Performance Tips for the Programmatic Interface of the Metadata API

This section describes how to enhance performance when using the programmatic interface of the Metadata API.

1. Fetch all of one type of object before fetching the next. For example, if you are retrieving the definitions of all objects in your schema, first fetch all tables, then all indexes, then all triggers, and so on. This will be much faster than nesting OPEN contexts; that is, fetch one table then all of its indexes, grants, and triggers, then the next table and all of its indexes, grants, and triggers, and so on. [Example Usage of the Metadata API](#) on page 19-15 reflects this second, less efficient means, but its purpose is to demonstrate most of the programmatic calls, which are best shown by this method.
2. Use the SET\_COUNT procedure to retrieve more than one object at a time. This minimizes server round trips and eliminates many redundant function calls.

3. When writing a PL/SQL package that calls the Metadata API, declare LOB variables and objects that contain LOBs (such as `SYS.KU$_DDL$`) at package scope rather than within individual functions. This eliminates the creation and deletion of LOB duration structures upon function entrance and exit, which are very expensive operations.

**See Also:** *Oracle Database SecureFiles and Large Objects Developer's Guide*

## Example Usage of the Metadata API

This section provides an example of how the Metadata API could be used. A script is provided that automatically runs the demo for you by performing the following actions:

- Establishes a schema (MDDEMO) and some payroll users.
- Creates three payroll-like tables within the schema, as well as any associated indexes, triggers, and grants.
- Creates a package, `PAYROLL_DEMO`, that uses the Metadata API. The `PAYROLL_DEMO` package contains a procedure, `GET_PAYROLL_TABLES`, that retrieves the DDL for the two tables in the MDDEMO schema that start with `PAYROLL`. For each table, it retrieves the DDL for the table's associated dependent objects; indexes, grants, and triggers. All the DDL is written to a table named `MDDEMO.DDL`.

To execute the example, do the following:

1. Start SQL\*Plus as user `system`. You will be prompted for a password.

```
sqlplus system
```

2. Install the demo, which is located in the file `mddemo.sql` in `rdbms/demo`:

```
SQL> @mddemo
```

For an explanation of what happens during this step, see [What Does the Metadata API Example Do?](#) on page 19-16.

3. Connect as user `mddemo`. You will be prompted for a password, which is also `mddemo`.

```
SQL> CONNECT mddemo
Enter password:
```

4. Set the following parameters so that query output will be complete and readable:

```
SQL> SET PAGESIZE 0
SQL> SET LONG 1000000
```

5. Execute the `GET_PAYROLL_TABLES` procedure, as follows:

```
SQL> CALL payroll_demo.get_payroll_tables();
```

6. Execute the following SQL query:

```
SQL> SELECT ddl FROM DDL ORDER BY SEQNO;
```

The output generated is the result of the execution of the `GET_PAYROLL_TABLES` procedure. It shows all the DDL that was performed in Step 2 when the demo was installed. See [Output Generated from the GET\\_PAYROLL\\_TABLES Procedure](#) on page 19-18 for a listing of the actual output.

## What Does the Metadata API Example Do?

When the `mddemo` script is run, the following steps take place. You can adapt these steps to your own situation.

1. Drops users as follows, if they exist. This will ensure that you are starting out with fresh data. If the users do not exist, a message to that effect is displayed, no harm is done, and the demo continues to execute.

```
CONNECT system
Enter password: password
SQL> DROP USER mddemo CASCADE;
SQL> DROP USER mddemo_clerk CASCADE;
SQL> DROP USER mddemo_mgr CASCADE;
```

2. Creates user `mddemo`, identified by `mddemo`:

```
SQL> CREATE USER mddemo IDENTIFIED BY mddemo;
SQL> GRANT resource, connect, create session,
1   create table,
2   create procedure,
3   create sequence,
4   create trigger,
5   create view,
6   create synonym,
7   alter session,
8   TO mddemo;
```

3. Creates user `mddemo_clerk`, identified by `clerk`:

```
CREATE USER mddemo_clerk IDENTIFIED BY clerk;
```

4. Creates user `mddemo_mgr`, identified by `mgr`:

```
CREATE USER mddemo_mgr IDENTIFIED BY mgr;
```

5. Connect to SQL\*Plus as `mddemo` (the password is also `mddemo`):

```
CONNECT mddemo
Enter password:
```

6. Creates some payroll-type tables:

```
SQL> CREATE TABLE payroll_emps
2   ( lastname VARCHAR2(60) NOT NULL,
3   firstname VARCHAR2(20) NOT NULL,
4   mi VARCHAR2(2),
5   suffix VARCHAR2(10),
6   dob DATE NOT NULL,
7   badge_no NUMBER(6) PRIMARY KEY,
8   exempt VARCHAR(1) NOT NULL,
9   salary NUMBER(9,2),
10  hourly_rate NUMBER(7,2) )
11 /

SQL> CREATE TABLE payroll_timecards
2   (badge_no NUMBER(6) REFERENCES payroll_emps (badge_no),
3   week NUMBER(2),
4   job_id NUMBER(5),
5   hours_worked NUMBER(4,2) )
6 /
```



7. Creates a dummy table, `audit_trail`. This table is used to show that tables that do not start with "PAYROLL" are not retrieved by the `GET_PAYROLL_TABLES` procedure.

```
SQL> CREATE TABLE audit_trail
  2  (action_time DATE,
  3  lastname VARCHAR2(60),
  4  action LONG )
  5  /
```

8. Creates some grants on the tables just created:

```
SQL> GRANT UPDATE (salary, hourly_rate) ON payroll_emps TO mddemo_clerk;
SQL> GRANT ALL ON payroll_emps TO mddemo_mgr WITH GRANT OPTION;
```

```
SQL> GRANT INSERT, UPDATE ON payroll_timecards TO mddemo_clerk;
SQL> GRANT ALL ON payroll_timecards TO mddemo_mgr WITH GRANT OPTION;
```

9. Creates some indexes on the tables just created:

```
SQL> CREATE INDEX i_payroll_emps_name ON payroll_emps(lastname);
SQL> CREATE INDEX i_payroll_emps_dob ON payroll_emps(dob);
SQL> CREATE INDEX i_payroll_timecards_badge ON payroll_timecards(badge_no);
```

10. Creates some triggers on the tables just created:

```
SQL> CREATE OR REPLACE PROCEDURE check_sal( salary in number) AS BEGIN
  2  RETURN;
  3  END;
  4  /
```

Note that the security is kept fairly loose to keep the example simple.

```
SQL> CREATE OR REPLACE TRIGGER salary_trigger BEFORE INSERT OR UPDATE OF salary
ON payroll_emps
FOR EACH ROW WHEN (new.salary > 150000)
CALL check_sal(:new.salary)
/
```

```
SQL> CREATE OR REPLACE TRIGGER hourly_trigger BEFORE UPDATE OF hourly_rate ON
payroll_emps
FOR EACH ROW
BEGIN :new.hourly_rate:=:old.hourly_rate;END;
/
```

11. Sets up a table to hold the generated DDL:

```
CREATE TABLE ddl (ddl CLOB, seqno NUMBER);
```

12. Creates the `PAYROLL_DEMO` package, which provides examples of how `DBMS_METADATA` procedures can be used.

```
SQL> CREATE OR REPLACE PACKAGE payroll_demo AS PROCEDURE get_payroll_tables;
END;
/
```

---



---

**Note:** To see the entire script for this example, including the contents of the `PAYROLL_DEMO` package, see the file `mddemo.sql` located in your `$ORACLE_HOME/rdbms/demo` directory.

---



---

## Output Generated from the GET\_PAYROLL\_TABLES Procedure

After you execute the `mddemo.payroll_demo.get_payroll_tables` procedure, you can execute the following query:

```
SQL> SELECT ddl FROM ddl ORDER BY seqno;
```

The results are as follows, which reflect all the DDL executed by the script as described in the previous section.

```
CREATE TABLE "MDDEMO"."PAYROLL_EMPS"
(
  "LASTNAME" VARCHAR2(60) NOT NULL ENABLE,
  "FIRSTNAME" VARCHAR2(20) NOT NULL ENABLE,
  "MI" VARCHAR2(2),
  "SUFFIX" VARCHAR2(10),
  "DOB" DATE NOT NULL ENABLE,
  "BADGE_NO" NUMBER(6,0),
  "EXEMPT" VARCHAR2(1) NOT NULL ENABLE,
  "SALARY" NUMBER(9,2),
  "HOURLY_RATE" NUMBER(7,2),
  PRIMARY KEY ("BADGE_NO") ENABLE
) ;

GRANT UPDATE ("SALARY") ON "MDDEMO"."PAYROLL_EMPS" TO "MDDEMO_CLERK";
GRANT UPDATE ("HOURLY_RATE") ON "MDDEMO"."PAYROLL_EMPS" TO "MDDEMO_CLERK";
GRANT ALTER ON "MDDEMO"."PAYROLL_EMPS" TO "MDDEMO_MGR" WITH GRANT OPTION;
GRANT DELETE ON "MDDEMO"."PAYROLL_EMPS" TO "MDDEMO_MGR" WITH GRANT OPTION;
GRANT INDEX ON "MDDEMO"."PAYROLL_EMPS" TO "MDDEMO_MGR" WITH GRANT OPTION;
GRANT INSERT ON "MDDEMO"."PAYROLL_EMPS" TO "MDDEMO_MGR" WITH GRANT OPTION;
GRANT SELECT ON "MDDEMO"."PAYROLL_EMPS" TO "MDDEMO_MGR" WITH GRANT OPTION;
GRANT UPDATE ON "MDDEMO"."PAYROLL_EMPS" TO "MDDEMO_MGR" WITH GRANT OPTION;
GRANT REFERENCES ON "MDDEMO"."PAYROLL_EMPS" TO "MDDEMO_MGR" WITH GRANT OPTION;
GRANT ON COMMIT REFRESH ON "MDDEMO"."PAYROLL_EMPS" TO "MDDEMO_MGR" WITH GRANT OPTION;
GRANT QUERY REWRITE ON "MDDEMO"."PAYROLL_EMPS" TO "MDDEMO_MGR" WITH GRANT OPTION;

CREATE INDEX "MDDEMO"."I_PAYROLL_EMPS_DOB" ON "MDDEMO"."PAYROLL_EMPS" ("DOB")
PCTFREE 10 INITRANS 2 MAXTRANS 255
STORAGE(INITIAL 10240 NEXT 10240 MINEXTENTS 1 MAXEXTENTS 121 PCTINCREASE 50
FREELISTS 1 FREELIST GROUPS 1 BUFFER_POOL DEFAULT) TABLESPACE "SYSTEM" ;

CREATE INDEX "MDDEMO"."I_PAYROLL_EMPS_NAME" ON "MDDEMO"."PAYROLL_EMPS" ("LASTNAME")
PCTFREE 10 INITRANS 2 MAXTRANS 255
STORAGE(INITIAL 10240 NEXT 10240 MINEXTENTS 1 MAXEXTENTS 121 PCTINCREASE 50
FREELISTS 1 FREELIST GROUPS 1 BUFFER_POOL DEFAULT) TABLESPACE "SYSTEM" ;

CREATE OR REPLACE TRIGGER hourly_trigger before update of hourly_rate on payroll_emps
for each row
begin :new.hourly_rate:=:old.hourly_rate;end;
/
ALTER TRIGGER "MDDEMO"."HOURLY_TRIGGER" ENABLE;

CREATE OR REPLACE TRIGGER salary_trigger before insert or update of salary on payroll_emps
for each row
WHEN (new.salary > 150000) CALL check_sal(:new.salary)
/
ALTER TRIGGER "MDDEMO"."SALARY_TRIGGER" ENABLE;

CREATE TABLE "MDDEMO"."PAYROLL_TIMECARDS"
(
  "BADGE_NO" NUMBER(6,0),
```

```

        "WEEK" NUMBER(2,0),
        "JOB_ID" NUMBER(5,0),
        "HOURS_WORKED" NUMBER(4,2),
FOREIGN KEY ("BADGE_NO")
REFERENCES "MDDEMO"."PAYROLL_EMPS" ("BADGE_NO") ENABLE
    ) ;

GRANT INSERT ON "MDDEMO"."PAYROLL_TIMECARDS" TO "MDDEMO_CLERK";
GRANT UPDATE ON "MDDEMO"."PAYROLL_TIMECARDS" TO "MDDEMO_CLERK";
GRANT ALTER ON "MDDEMO"."PAYROLL_TIMECARDS" TO "MDDEMO_MGR" WITH GRANT OPTION;
GRANT DELETE ON "MDDEMO"."PAYROLL_TIMECARDS" TO "MDDEMO_MGR" WITH GRANT OPTION;
GRANT INDEX ON "MDDEMO"."PAYROLL_TIMECARDS" TO "MDDEMO_MGR" WITH GRANT OPTION;
GRANT INSERT ON "MDDEMO"."PAYROLL_TIMECARDS" TO "MDDEMO_MGR" WITH GRANT OPTION;
GRANT SELECT ON "MDDEMO"."PAYROLL_TIMECARDS" TO "MDDEMO_MGR" WITH GRANT OPTION;
GRANT UPDATE ON "MDDEMO"."PAYROLL_TIMECARDS" TO "MDDEMO_MGR" WITH GRANT OPTION;
GRANT REFERENCES ON "MDDEMO"."PAYROLL_TIMECARDS" TO "MDDEMO_MGR" WITH GRANT OPTION;
GRANT ON COMMIT REFRESH ON "MDDEMO"."PAYROLL_TIMECARDS" TO "MDDEMO_MGR" WITH GRANT OPTION;
GRANT QUERY REWRITE ON "MDDEMO"."PAYROLL_TIMECARDS" TO "MDDEMO_MGR" WITH GRANT OPTION;

CREATE INDEX "MDDEMO"."I_PAYROLL_TIMECARDS_BADGE" ON "MDDEMO"."PAYROLL_TIMECARDS" ("BADGE_NO")
PCTFREE 10 INITRANS 2 MAXTRANS 255
STORAGE(INITIAL 10240 NEXT 10240 MINEXTENTS 1 MAXEXTENTS 121 PCTINCREASE 50
FREELISTS 1 FREELIST GROUPS 1 BUFFER_POOL DEFAULT) TABLESPACE "SYSTEM" ;

```

## Summary of DBMS\_METADATA Procedures

This section provides brief descriptions of the procedures provided by the Metadata API. For detailed descriptions of these procedures, see *Oracle Database PL/SQL Packages and Types Reference*.

**Table 19–1** provides a brief description of the procedures provided by the DBMS\_METADATA programmatic interface for retrieving multiple objects.

**Table 19–1 DBMS\_METADATA Procedures Used for Retrieving Multiple Objects**

PL/SQL Procedure Name	Description
DBMS_METADATA.OPEN()	Specifies the type of object to be retrieved, the version of its metadata, and the object model.
DBMS_METADATA.SET_FILTER()	Specifies restrictions on the objects to be retrieved, for example, the object name or schema.
DBMS_METADATA.SET_COUNT()	Specifies the maximum number of objects to be retrieved in a single FETCH_xxx call.
DBMS_METADATA.GET_QUERY()	Returns the text of the queries that are used by FETCH_xxxx. You can use this as a debugging aid.
DBMS_METADATA.SET_PARSE_ITEM()	Enables output parsing by specifying an object attribute to be parsed and returned.
DBMS_METADATA.ADD_TRANSFORM()	Specifies a transform that FETCH_xxxx applies to the XML representation of the retrieved objects.
DBMS_METADATA.SET_TRANSFORM_PARAM()	Specifies parameters to the XSLT stylesheet identified by transform_handle.

**Table 19–1 (Cont.) DBMS\_METADATA Procedures Used for Retrieving Multiple Objects**

PL/SQL Procedure Name	Description
DBMS_METADATA.SET_REMAP_PARAM()	Specifies parameters to the XSLT stylesheet identified by <code>transform_handle</code> .
DBMS_METADATA.FETCH_XXX()	Returns metadata for objects meeting the criteria established by OPEN, SET_FILTER, SET_COUNT, ADD_TRANSFORM, and so on.
DBMS_METADATA.CLOSE()	Invalidates the handle returned by OPEN and cleans up the associated state.

Table 19–2 lists the procedures provided by the DBMS\_METADATA browsing interface and provides a brief description of each one. These functions return metadata for one or more dependent or granted objects. These procedures do not support heterogeneous object types.

**Table 19–2 DBMS\_METADATA Procedures Used for the Browsing Interface**

PL/SQL Procedure Name	Description
DBMS_METADATA.GET_XXX()	Provides a way to return metadata for a single object. Each GET_XXX call consists of an OPEN procedure, one or two SET_FILTER calls, optionally an ADD_TRANSFORM procedure, a FETCH_XXX call, and a CLOSE procedure.  The <i>object_type</i> parameter has the same semantics as in the OPEN procedure. <i>schema</i> and <i>name</i> are used for filtering.  If a transform is specified, session-level transform flags are inherited.
DBMS_METADATA.GET_DEPENDENT_XXX()	Returns the metadata for one or more dependent objects, specified as XML or DDL.
DBMS_METADATA.GET_GRANTED_XXX()	Returns the metadata for one or more granted objects, specified as XML or DDL.

Table 19–3 provides a brief description of the DBMS\_METADATA procedures and functions used for XML submission.

**Table 19–3 DBMS\_METADATA Procedures and Functions for Submitting XML Data**

PL/SQL Name	Description
DBMS_METADATA.OPENW()	Opens a write context.
DBMS_METADATA.ADD_TRANSFORM()	Specifies a transform for the XML documents
DBMS_METADATA.SET_TRANSFORM_PARAM() and DBMS_METADATA.SET_REMAP_PARAM()	SET_TRANSFORM_PARAM specifies a parameter to a transform. SET_REMAP_PARAM specifies a remapping for a transform.
DBMS_METADATA.SET_PARSE_ITEM()	Specifies an object attribute to be parsed.
DBMS_METADATA.CONVERT()	Converts an XML document to DDL.
DBMS_METADATA.PUT()	Submits an XML document to the database.
DBMS_METADATA.CLOSE()	Closes the context opened with OPENW.

---

---

## Original Export and Import

This chapter describes how to use the original Export and Import utilities, invoked with the `exp` and `imp` command, respectively. These are called the original Export and Import utilities to differentiate them from the Oracle Data Pump Export and Import utilities available as of Oracle Database 10g. The Data Pump Export and Import utilities are invoked with the `expdp` and `impdp` commands, respectively.

---

---

**Note:** Original export is desupported for general use as of Oracle Database 11g. The only supported use of Original Export in 11g is backward migration of XMLType data to a database version 10g release 2 (10.2) or earlier. Therefore, Oracle recommends that you use the new Data Pump Export and Import utilities, except in the following situations which require Original Export and Import:

- You want to import files that were created using the original Export utility (`exp`).
  - You want to export files that will be imported using the original Import utility (`imp`). An example of this would be if you wanted to export data from Oracle Database 10g and then import it into an earlier database release.
- 
- 

**See Also:** [Part I, "Oracle Data Pump"](#)

This chapter discusses the following topics:

- [What Are the Export and Import Utilities?](#)
- [Before Using Export and Import](#)
- [Invoking Export and Import](#)
- [Importing Objects into Your Own Schema](#)
- [Table Objects: Order of Import](#)
- [Importing into Existing Tables](#)
- [Effect of Schema and Database Triggers on Import Operations](#)
- [Export and Import Modes](#)
- [Export Parameters](#)
- [Import Parameters](#)
- [Example Export Sessions](#)

- [Example Import Sessions](#)
- [Using Export and Import to Move a Database Between Platforms](#)
- [Warning, Error, and Completion Messages](#)
- [Exit Codes for Inspection and Display](#)
- [Network Considerations](#)
- [Character Set and Globalization Support Considerations](#)
- [Materialized Views and Snapshots](#)
- [Transportable Tablespaces](#)
- [Read-Only Tablespaces](#)
- [Dropping a Tablespace](#)
- [Reorganizing Tablespaces](#)
- [Support for Fine-Grained Access Control](#)
- [Using Instance Affinity with Export and Import](#)
- [Reducing Database Fragmentation](#)
- [Using Storage Parameters with Export and Import](#)
- [Information Specific to Export](#)
- [Information Specific to Import](#)
- [Using Export and Import to Partition a Database Migration](#)
- [Using Different Releases and Versions of Export](#)

## What Are the Export and Import Utilities?

The Export and Import utilities provide a simple way for you to transfer data objects between Oracle databases, even if they reside on platforms with different hardware and software configurations.

When you run Export against an Oracle database, objects (such as tables) are extracted, followed by their related objects (such as indexes, comments, and grants), if any. The extracted data is written to an export dump file. The Import utility reads the object definitions and table data from the dump file.

An export file is an Oracle binary-format dump file that is typically located on disk or tape. The dump files can be transferred using FTP or physically transported (in the case of tape) to a different site. The files can then be used with the Import utility to transfer data between databases that are on systems not connected through a network. The files can also be used as backups in addition to normal backup procedures.

Export dump files can only be read by the Oracle Import utility. The version of the Import utility cannot be earlier than the version of the Export utility used to create the dump file.

You can also display the contents of an export file without actually performing an import. To do this, use the Import `SHOW` parameter. See [SHOW](#) on page 20-35 for more information.

To load data from ASCII fixed-format or delimited files, use the `SQL*Loader` utility.

**See Also:**

- [Using Different Releases and Versions of Export](#) on page 20-77
- [Part II](#) of this manual for information about the SQL\*Loader utility
- *Oracle Database Advanced Replication* for information about how to use the Export and Import utilities to facilitate certain aspects of Oracle Advanced Replication, such as offline instantiation

## Before Using Export and Import

Before you begin using Export and Import, be sure you take care of the following items (described in detail in the following sections):

- Run the `catexp.sql` or `catalog.sql` script
- Ensure there is sufficient disk or tape storage to write the export file
- Verify that you have the required access privileges

## Running `catexp.sql` or `catalog.sql`

To use Export and Import, you must run the script `catexp.sql` or `catalog.sql` (which runs `catexp.sql`) after the database has been created or migrated to Oracle Database 10g.

The `catexp.sql` or `catalog.sql` script needs to be run only once on a database. The script performs the following tasks to prepare the database for export and import operations:

- Creates the necessary export and import views in the data dictionary
- Creates the `EXP_FULL_DATABASE` role
- Assigns all necessary privileges to the `EXP_FULL_DATABASE` and `IMP_FULL_DATABASE` roles
- Assigns `EXP_FULL_DATABASE` and `IMP_FULL_DATABASE` to the `DBA` role
- Records the version of `catexp.sql` that has been installed

## Ensuring Sufficient Disk Space for Export Operations

Before you run Export, ensure that there is sufficient disk or tape storage space to write the export file. If there is not enough space, Export terminates with a write-failure error.

You can use table sizes to estimate the maximum space needed. You can find table sizes in the `USER_SEGMENTS` view of the Oracle data dictionary. The following query displays disk usage for all tables:

```
SELECT SUM(BYTES) FROM USER_SEGMENTS WHERE SEGMENT_TYPE='TABLE';
```

The result of the query does not include disk space used for data stored in LOB (large object) or `VARRAY` columns or in partitioned tables.

**See Also:** *Oracle Database Reference* for more information about dictionary views

## Verifying Access Privileges for Export and Import Operations

To use Export and Import, you must have the `CREATE SESSION` privilege on an Oracle database. This privilege belongs to the `CONNECT` role established during database creation. To export tables owned by another user, you must have the `EXP_FULL_DATABASE` role enabled. This role is granted to all database administrators (DBAs).

If you do not have the system privileges contained in the `EXP_FULL_DATABASE` role, you cannot export objects contained in another user's schema. For example, you cannot export a table in another user's schema, even if you created a synonym for it.

A number of system schemas cannot be exported because they are not user schemas; they contain Oracle-managed data and metadata. Examples of schemas that are not exported include `SYS`, `ORDSYS`, and `MDSYS`.

You can perform an import operation even if you did not create the export file. However, keep in mind that if the export file was created by a user with the `EXP_FULL_DATABASE` role, then you must have the `IMP_FULL_DATABASE` role to import it. Both of these roles are typically assigned to database administrators (DBAs).

## Invoking Export and Import

You can invoke Export and Import, and specify parameters by using any of the following methods:

- Command-line entries
- Parameter files
- Interactive mode

Before you use one of these methods, be sure to read the descriptions of the available parameters. See [Export Parameters](#) on page 20-16 and [Import Parameters](#) on page 20-29.

---

---

**Note:** The import job attributes, `LOG_USER` and `PRIV_USER`, are always set to the importing user regardless of what their values were during the export operation. For example, if you perform an export as user `scott`, but then import as user `system`, any jobs in the dump file set will be created with `LOG_USER` and `PRIV_USER = SYSTEM`.

To work around this restriction, you must export and import the job as the job owner.

---

---

## Invoking Export and Import As SYSDBA

`SYSDBA` is used internally and has specialized functions; its behavior is not the same as for generalized users. Therefore, you should not typically need to invoke Export or Import as `SYSDBA`, except in the following situations:

- At the request of Oracle technical support
- When importing a transportable tablespace set

## Command-Line Entries

You can specify all valid parameters and their values from the command line using the following syntax (you will then be prompted for a username and password):



```
exp PARAMETER=value
```

or

```
exp PARAMETER=(value1,value2,...,valuen)
```

The number of parameters cannot exceed the maximum length of a command line on the system. Note that the examples could use `imp` to invoke Import rather than `exp` to invoke Export.

## Parameter Files

The information in this section applies to both Export and Import, but the examples show use of the Export command, `exp`.

You can specify all valid parameters and their values in a parameter file. Storing the parameters in a file allows them to be easily modified or reused, and is the recommended method for invoking Export. If you use different parameters for different databases, you can have multiple parameter files.

Create the parameter file using any flat file text editor. The command-line option `PARFILE=filename` tells Export to read the parameters from the specified file rather than from the command line. For example:

The syntax for parameter file specifications is one of the following:

```
PARAMETER=value
PARAMETER=(value)
PARAMETER=(value1, value2, ...)
```

The following example shows a partial parameter file listing:

```
FULL=y
FILE=dba.dmp
GRANTS=y
INDEXES=y
CONSISTENT=y
```

---



---

**Note:** The maximum size of the parameter file may be limited by the operating system. The name of the parameter file is subject to the file-naming conventions of the operating system.

---



---

You can add comments to the parameter file by preceding them with the pound (#) sign. Export ignores all characters to the right of the pound (#) sign.

You can specify a parameter file at the same time that you are entering parameters on the command line. In fact, you can specify the same parameter in both places. The position of the `PARFILE` parameter and other parameters on the command line determines which parameters take precedence. For example, assume the parameter file `params.dat` contains the parameter `INDEXES=y` and Export is invoked with the following line:

```
exp PARFILE=params.dat INDEXES=n
```

In this case, because `INDEXES=n` occurs *after* `PARFILE=params.dat`, `INDEXES=n` overrides the value of the `INDEXES` parameter in the parameter file.

**See Also:**

- [Export Parameters](#) on page 20-16 for descriptions of the Export parameters
- [Import Parameters](#) on page 20-29
- [Exporting and Importing with Oracle Net](#) on page 20-54 for information about how to specify an export from a remote database

## Interactive Mode

If you prefer to be prompted for the value of each parameter, you can simply specify either `exp` or `imp` at the command line. You will be prompted for a username and password.

Commonly used parameters are then displayed. You can accept the default value, if one is provided, or enter a different value. The command-line interactive method does not provide prompts for all functionality and is provided only for backward compatibility. If you want to use an interactive interface, Oracle recommends that you use the Oracle Enterprise Manager Export or Import Wizard.

### Restrictions When Using Export's Interactive Method

Keep in mind the following points when you use the interactive method:

- In user mode, Export prompts for all usernames to be included in the export before exporting any data. To indicate the end of the user list and begin the current Export session, press Enter.
- In table mode, if you do not specify a schema prefix, Export defaults to the exporter's schema or the schema containing the last table exported in the current session.

For example, if `beth` is a privileged user exporting in table mode, Export assumes that all tables are in the `beth` schema until another schema is specified. Only a privileged user (someone with the `EXP_FULL_DATABASE` role) can export tables in another user's schema.

- If you specify a null table list to the prompt "Table to be exported," the Export utility exits.

## Getting Online Help

Export and Import both provide online help. Enter `exp help=y` on the command line to invoke Export help or `imp help=y` to invoke Import help.

## Importing Objects into Your Own Schema

[Table 20–1](#) lists the privileges required to import objects into your own schema. All of these privileges initially belong to the `RESOURCE` role.

**Table 20–1 Privileges Required to Import Objects into Your Own Schema**

Object	Required Privilege (Privilege Type, If Applicable)
Clusters	CREATE CLUSTER (System) or UNLIMITED TABLESPACE (System). The user must also be assigned a tablespace quota.

**Table 20–1 (Cont.) Privileges Required to Import Objects into Your Own Schema**

Object	Required Privilege (Privilege Type, If Applicable)
Database links	CREATE DATABASE LINK (System) and CREATE SESSION (System) on remote database
Triggers on tables	CREATE TRIGGER (System)
Triggers on schemas	CREATE ANY TRIGGER (System)
Indexes	CREATE INDEX (System) or UNLIMITED TABLESPACE (System). The user must also be assigned a tablespace quota.
Integrity constraints	ALTER TABLE (Object)
Libraries	CREATE ANY LIBRARY (System)
Packages	CREATE PROCEDURE (System)
Private synonyms	CREATE SYNONYM (System)
Sequences	CREATE SEQUENCE (System)
Snapshots	CREATE SNAPSHOT (System)
Stored functions	CREATE PROCEDURE (System)
Stored procedures	CREATE PROCEDURE (System)
Table data	INSERT TABLE (Object)
Table definitions (including comments and audit options)	CREATE TABLE (System) or UNLIMITED TABLESPACE (System). The user must also be assigned a tablespace quota.
Views	CREATE VIEW (System) and SELECT (Object) on the base table, or SELECT ANY TABLE (System)
Object types	CREATE TYPE (System)
Foreign function libraries	CREATE LIBRARY (System)
Dimensions	CREATE DIMENSION (System)
Operators	CREATE OPERATOR (System)
Indextypes	CREATE INDEXTYPE (System)

## Importing Grants

To import the privileges that a user has granted to others, the user initiating the import must either own the objects or have object privileges with the `WITH GRANT OPTION`. [Table 20–2](#) shows the required conditions for the authorizations to be valid on the target system.

**Table 20–2 Privileges Required to Import Grants**

Grant	Conditions
Object privileges	The object must exist in the user's schema, <i>or</i> the user must have the object privileges with the <code>WITH GRANT OPTION</code> <i>or</i> , the user must have the <code>IMP_FULL_DATABASE</code> role enabled.
System privileges	User must have the <code>SYSTEM</code> privilege as well as the <code>WITH ADMIN OPTION</code> .

## Importing Objects into Other Schemas

To import objects into another user's schema, you must have the `IMP_FULL_DATABASE` role enabled.

## Importing System Objects

To import system objects from a full database export file, the `IMP_FULL_DATABASE` role must be enabled. The parameter `FULL` specifies that the following system objects are included in the import when the export file is a full export:

- Profiles
- Public database links
- Public synonyms
- Roles
- Rollback segment definitions
- Resource costs
- Foreign function libraries
- Context objects
- System procedural objects
- System audit options
- System privileges
- Tablespace definitions
- Tablespace quotas
- User definitions
- Directory aliases
- System event triggers

## Processing Restrictions

The following restrictions apply when you process data with the Export and Import utilities:

- Java classes, resources, and procedures that are created using Enterprise JavaBeans (EJB) are not placed in the export file.
- Constraints that have been altered using the `RELY` keyword lose the `RELY` attribute when they are exported.
- When a type definition has evolved and then data referencing that evolved type is exported, the type definition on the import system must have evolved in the same manner.
- The table compression attribute of tables and partitions is preserved during export and import. However, the import process does not use the direct path API, hence the data will not be stored in the compressed format when imported.

## Table Objects: Order of Import

Table objects are imported as they are read from the export file. The export file contains objects in the following order:

1. Type definitions
2. Table definitions
3. Table data
4. Table indexes
5. Integrity constraints, views, procedures, and triggers
6. Bitmap, function-based, and domain indexes

The order of import is as follows: new tables are created, data is imported and indexes are built, triggers are imported, integrity constraints are enabled on the new tables, and any bitmap, function-based, and/or domain indexes are built. This sequence prevents data from being rejected due to the order in which tables are imported. This sequence also prevents redundant triggers from firing twice on the same data (once when it is originally inserted and again during the import).

For example, if the `emp` table has a referential integrity constraint on the `dept` table and the `emp` table is imported first, all `emp` rows that reference departments that have not yet been imported into `dept` would be rejected if the constraints were enabled.

When data is imported into existing tables, however, the order of import can still produce referential integrity failures. In the situation just given, if the `emp` table already existed and referential integrity constraints were in force, many rows could be rejected.

A similar situation occurs when a referential integrity constraint on a table references itself. For example, if `scott`'s manager in the `emp` table is `drake`, and `drake`'s row has not yet been loaded, `scott`'s row will fail, even though it would be valid at the end of the import.

---

---

**Note:** For the reasons mentioned previously, it is a good idea to disable referential constraints when importing into an existing table. You can then reenable the constraints after the import is completed.

---

---

## Importing into Existing Tables

This section describes factors to take into account when you import data into existing tables.

### Manually Creating Tables Before Importing Data

When you choose to create tables manually before importing data into them from an export file, you should use either the same table definition previously used or a compatible format. For example, although you can increase the width of columns and change their order, you cannot do the following:

- Add `NOT NULL` columns
- Change the datatype of a column to an incompatible datatype (`LONG` to `NUMBER`, for example)
- Change the definition of object types used in a table

- Change `DEFAULT` column values

---

---

**Note:** When tables are manually created before data is imported, the `CREATE TABLE` statement in the export dump file will fail because the table already exists. To avoid this failure and continue loading data into the table, set the Import parameter `IGNORE=y`. Otherwise, no data will be loaded into the table because of the table creation error.

---

---

## Disabling Referential Constraints

In the normal import order, referential constraints are imported only after all tables are imported. This sequence prevents errors that could occur if a referential integrity constraint exists for data that has not yet been imported.

These errors can still occur when data is loaded into existing tables. For example, if table `emp` has a referential integrity constraint on the `mgr` column that verifies that the manager number exists in `emp`, a legitimate employee row might fail the referential integrity constraint if the manager's row has not yet been imported.

When such an error occurs, Import generates an error message, bypasses the failed row, and continues importing other rows in the table. You can disable constraints manually to avoid this.

Referential constraints between tables can also cause problems. For example, if the `emp` table appears before the `dept` table in the export file, but a referential check exists from the `emp` table into the `dept` table, some of the rows from the `emp` table may not be imported due to a referential constraint violation.

To prevent errors like these, you should disable referential integrity constraints when importing data into existing tables.

## Manually Ordering the Import

When the constraints are reenabled after importing, the entire table is checked, which may take a long time for a large table. If the time required for that check is too long, it may be beneficial to order the import manually.

To do so, perform several imports from an export file instead of one. First, import tables that are the targets of referential checks. Then, import the tables that reference them. This option works if tables do not reference each other in a circular fashion, and if a table does not reference itself.

## Effect of Schema and Database Triggers on Import Operations

Triggers that are defined to trigger on DDL events for a specific schema or on DDL-related events for the database, are system triggers. These triggers can have detrimental effects on certain import operations. For example, they can prevent successful re-creation of database objects, such as tables. This causes errors to be returned that give no indication that a trigger caused the problem.

Database administrators and anyone creating system triggers should verify that such triggers do not prevent users from performing database operations for which they are authorized. To test a system trigger, take the following steps:

1. Define the trigger.
2. Create some database objects.

3. Export the objects in table or user mode.
4. Delete the objects.
5. Import the objects.
6. Verify that the objects have been successfully re-created.

---

**Note:** A full export does not export triggers owned by schema `SYS`. You must manually re-create `SYS` triggers either before or after the full import. Oracle recommends that you re-create them after the import in case they define actions that would impede progress of the import.

---

## Export and Import Modes

The Export and Import utilities support four modes of operation:

- **Full:** Exports and imports a full database. Only users with the `EXP_FULL_DATABASE` and `IMP_FULL_DATABASE` roles can use this mode. Use the `FULL` parameter to specify this mode.
- **Tablespace:** Enables a privileged user to move a set of tablespaces from one Oracle database to another. Use the `TRANSPORT_TABLESPACE` parameter to specify this mode.
- **User:** Enables you to export and import all objects that belong to you (such as tables, grants, indexes, and procedures). A privileged user importing in user mode can import all objects in the schemas of a specified set of users. Use the `OWNER` parameter to specify this mode in Export, and use the `FROMUSER` parameter to specify this mode in Import.
- **Table:** Enables you to export and import specific tables and partitions. A privileged user can qualify the tables by specifying the schema that contains them. For any table for which a schema name is not specified, Export defaults to the exporter's schema name. Use the `TABLES` parameter to specify this mode.

See [Table 20-3](#) for a list of objects that are exported and imported in each mode.

---

**Caution:** When you use table mode to import tables that have columns of type `ANYDATA`, you may receive the following error:

ORA-22370: Incorrect usage of method. Nonexistent type.

This indicates that the `ANYDATA` column depends on other types that are not present in the database. You must manually create dependent types in the target database before you use table mode to import tables that use the `ANYDATA` type.

---

A user with the `IMP_FULL_DATABASE` role must specify one of these modes. Otherwise, an error results. If a user without the `IMP_FULL_DATABASE` role fails to specify one of these modes, a user-level Import is performed.

You can use conventional path Export or direct path Export to export in any mode except tablespace mode. The differences between conventional path Export and direct path Export are described in [Conventional Path Export Versus Direct Path Export](#) on page 20-61.

**See Also:**

- *Oracle Database Administrator's Guide*
- *Oracle Database Concepts* for an introduction to the transportable tablespaces feature

**Table 20–3 Objects Exported and Imported in Each Mode**

<b>Object</b>	<b>Table Mode</b>	<b>User Mode</b>	<b>Full Database Mode</b>	<b>Tablespace Mode</b>
Analyze cluster	No	Yes	Yes	No
Analyze tables/statistics	Yes	Yes	Yes	Yes
Application contexts	No	No	Yes	No
Auditing information	Yes	Yes	Yes	No
B-tree, bitmap, domain function-based indexes	Yes <sup>1</sup>	Yes	Yes	Yes
Cluster definitions	No	Yes	Yes	Yes
Column and table comments	Yes	Yes	Yes	Yes
Database links	No	Yes	Yes	No
Default roles	No	No	Yes	No
Dimensions	No	Yes	Yes	No
Directory aliases	No	No	Yes	No
External tables (without data)	Yes	Yes	Yes	No
Foreign function libraries	No	Yes	Yes	No
Indexes owned by users other than table owner	Yes (Privileged users only)	Yes	Yes	Yes
Index types	No	Yes	Yes	No
Java resources and classes	No	Yes	Yes	No
Job queues	No	Yes	Yes	No
Nested table data	Yes	Yes	Yes	Yes
Object grants	Yes (Only for tables and indexes)	Yes	Yes	Yes
Object type definitions used by table	Yes	Yes	Yes	Yes
Object types	No	Yes	Yes	No
Operators	No	Yes	Yes	No
Password history	No	No	Yes	No
Postinstance actions and objects	No	No	Yes	No



**Table 20-3 (Cont.) Objects Exported and Imported in Each Mode**

<b>Object</b>	<b>Table Mode</b>	<b>User Mode</b>	<b>Full Database Mode</b>	<b>Tablespace Mode</b>
Postschema procedural actions and objects	No	Yes	Yes	No
Posttable actions	Yes	Yes	Yes	Yes
Posttable procedural actions and objects	Yes	Yes	Yes	Yes
Preschema procedural objects and actions	No	Yes	Yes	No
Pretable actions	Yes	Yes	Yes	Yes
Pretable procedural actions	Yes	Yes	Yes	Yes
Private synonyms	No	Yes	Yes	No
Procedural objects	No	Yes	Yes	No
Profiles	No	No	Yes	No
Public synonyms	No	No	Yes	No
Referential integrity constraints	Yes	Yes	Yes	No
Refresh groups	No	Yes	Yes	No
Resource costs	No	No	Yes	No
Role grants	No	No	Yes	No
Roles	No	No	Yes	No
Rollback segment definitions	No	No	Yes	No
Security policies for table	Yes	Yes	Yes	Yes
Sequence numbers	No	Yes	Yes	No
Snapshot logs	No	Yes	Yes	No
Snapshots and materialized views	No	Yes	Yes	No
System privilege grants	No	No	Yes	No
Table constraints (primary, unique, check)	Yes	Yes	Yes	Yes
Table data	Yes	Yes	Yes	Yes
Table definitions	Yes	Yes	Yes	Yes
Tablespace definitions	No	No	Yes	No
Tablespace quotas	No	No	Yes	No
Triggers	Yes	Yes <sup>2</sup>	Yes <sup>3</sup>	Yes
Triggers owned by other users	Yes (Privileged users only)	No	No	No
User definitions	No	No	Yes	No

**Table 20–3 (Cont.) Objects Exported and Imported in Each Mode**

Object	Table Mode	User Mode	Full Database Mode	Tablespace Mode
User proxies	No	No	Yes	No
User views	No	Yes	Yes	No
User-stored procedures, packages, and functions	No	Yes	Yes	No

<sup>1</sup> Nonprivileged users can export and import only indexes they own on tables they own. They cannot export indexes they own that are on tables owned by other users, nor can they export indexes owned by other users on their own tables. Privileged users can export and import indexes on the specified users' tables, even if the indexes are owned by other users. Indexes owned by the specified user on other users' tables are not included, unless those other users are included in the list of users to export.

<sup>2</sup> Nonprivileged and privileged users can export and import all triggers owned by the user, even if they are on tables owned by other users.

<sup>3</sup> A full export does not export triggers owned by schema SYS. You must manually re-create SYS triggers either before or after the full import. Oracle recommends that you re-create them after the import in case they define actions that would impede progress of the import.

## Table-Level and Partition-Level Export

You can export tables, partitions, and subpartitions in the following ways:

- **Table-level Export:** exports all data from the specified tables
- **Partition-level Export:** exports only data from the specified source partitions or subpartitions

In all modes, partitioned data is exported in a format such that partitions or subpartitions can be imported selectively.

### Table-Level Export

In table-level Export, you can export an entire table (partitioned or nonpartitioned) along with its indexes and other table-dependent objects. If the table is partitioned, all of its partitions and subpartitions are also exported. This applies to both direct path Export and conventional path Export. You can perform a table-level export in any Export mode.

### Partition-Level Export

In partition-level Export, you can export one or more specified partitions or subpartitions of a table. You can only perform a partition-level export in table mode.

For information about how to specify table-level and partition-level Exports, see [TABLES](#) on page 20-26.

## Table-Level and Partition-Level Import

You can import tables, partitions, and subpartitions in the following ways:

- **Table-level Import:** Imports all data from the specified tables in an export file.
- **Partition-level Import:** Imports only data from the specified source partitions or subpartitions.

You must set the parameter `IGNORE=y` when loading data into an existing table. See [IGNORE](#) on page 20-32 for more information.

## Guidelines for Using Table-Level Import

For each specified table, table-level Import imports all rows of the table. With table-level Import:

- All tables exported using any Export mode (except `TRANSPORT_TABLESPACES`) can be imported.
- Users can import the entire (partitioned or nonpartitioned) table, partitions, or subpartitions from a table-level export file into a (partitioned or nonpartitioned) target table with the same name.

If the table does not exist, and if the exported table was partitioned, table-level Import creates a partitioned table. If the table creation is successful, table-level Import reads all source data from the export file into the target table. After Import, the target table contains the partition definitions of *all* partitions and subpartitions associated with the source table in the export file. This operation ensures that the physical and logical attributes (including partition bounds) of the source partitions are maintained on import.

## Guidelines for Using Partition-Level Import

Partition-level Import can only be specified in table mode. It lets you selectively load data from specified partitions or subpartitions in an export file. Keep the following guidelines in mind when using partition-level Import.

- Import always stores the rows according to the partitioning scheme of the target table.
- Partition-level Import inserts only the row data from the specified source partitions or subpartitions.
- If the target table is partitioned, partition-level Import rejects any rows that fall above the highest partition of the target table.
- Partition-level Import cannot import a nonpartitioned exported table. However, a partitioned table can be imported from a nonpartitioned exported table using table-level Import.
- Partition-level Import is legal only if the source table (that is, the table called `tablename` at export time) was partitioned and exists in the export file.
- If the partition or subpartition name is not a valid partition in the export file, Import generates a warning.
- The partition or subpartition name in the parameter refers to only the partition or subpartition in the export file, which may not contain all of the data of the table on the export source system.
- If `ROWS=y` (default), and the table does not exist in the import target system, the table is created and all rows from the source partition or subpartition are inserted into the partition or subpartition of the target table.
- If `ROWS=y` (default) and `IGNORE=y`, but the table already existed before import, all rows for the specified partition or subpartition in the table are inserted into the table. The rows are stored according to the existing partitioning scheme of the target table.
- If `ROWS=n`, Import does not insert data into the target table and continues to process other objects associated with the specified table and partition or subpartition in the file.

- If the target table is nonpartitioned, the partitions and subpartitions are imported into the entire table. Import requires `IGNORE=y` to import one or more partitions or subpartitions from the export file into a nonpartitioned table on the import target system.

### Migrating Data Across Partitions and Tables

If you specify a partition name for a composite partition, all subpartitions within the composite partition are used as the source.

In the following example, the partition specified by the partition name is a composite partition. All of its subpartitions will be imported:

```
imp SYSTEM FILE=expdat.dmp FROMUSER=scott TABLES=b:py
```

The following example causes row data of partitions `qc` and `qd` of table `scott.e` to be imported into the table `scott.e`:

```
imp scott FILE=expdat.dmp TABLES=(e:qc, e:qd) IGNORE=y
```

If table `e` does not exist in the import target database, it is created and data is inserted into the same partitions. If table `e` existed on the target system before import, the row data is inserted into the partitions whose range allows insertion. The row data can end up in partitions of names other than `qc` and `qd`.

---

---

**Note:** With partition-level Import to an existing table, you *must* set up the target partitions or subpartitions properly and use `IGNORE=y`.

---

---

## Export Parameters

This section contains descriptions of the Export command-line parameters.

### BUFFER

Default: operating system-dependent. See your Oracle operating system-specific documentation to determine the default value for this parameter.

Specifies the size, in bytes, of the buffer used to fetch rows. As a result, this parameter determines the maximum number of rows in an array fetched by Export. Use the following formula to calculate the buffer size:

```
buffer_size = rows_in_array * maximum_row_size
```

If you specify zero, the Export utility fetches only one row at a time.

Tables with columns of type LOBs, LONG, BFILE, REF, ROWID, LOGICAL ROWID, or DATE are fetched one row at a time.

---

---

**Note:** The `BUFFER` parameter applies only to conventional path Export. It has no effect on a direct path Export. For direct path Exports, use the `RECORDLENGTH` parameter to specify the size of the buffer that Export uses for writing to the export file.

---

---

### Example: Calculating Buffer Size

This section shows an example of how to calculate buffer size.

The following table is created:

```
CREATE TABLE sample (name varchar(30), weight number);
```

The maximum size of the `name` column is 30, plus 2 bytes for the indicator. The maximum size of the `weight` column is 22 (the size of the internal representation for Oracle numbers), plus 2 bytes for the indicator.

Therefore, the maximum row size is 56 (30+2+22+2).

To perform array operations for 100 rows, a buffer size of 5600 should be specified.

## COMPRESS

Default: `y`

Specifies how Export and Import manage the initial extent for table data.

The default, `COMPRESS=y`, causes Export to flag table data for consolidation into one initial extent upon import. If extent sizes are large (for example, because of the `PCTINCREASE` parameter), the allocated space will be larger than the space required to hold the data.

If you specify `COMPRESS=n`, Export uses the current storage parameters, including the values of initial extent size and next extent size. The values of the parameters may be the values specified in the `CREATE TABLE` or `ALTER TABLE` statements or the values modified by the database system. For example, the `NEXT` extent size value may be modified if the table grows and if the `PCTINCREASE` parameter is nonzero.

The `COMPRESS` parameter does not work with bitmapped tablespaces.

---



---

**Note:** Although the actual consolidation is performed upon import, you can specify the `COMPRESS` parameter only when you export, not when you import. The Export utility, not the Import utility, generates the data definitions, including the storage parameter definitions. Therefore, if you specify `COMPRESS=y` when you export, you can import the data in consolidated form only.

---



---



---



---

**Note:** Neither LOB data nor subpartition data is compressed. Rather, values of initial extent size and next extent size at the time of export are used.

---



---

## CONSISTENT

Default: `n`

Specifies whether or not Export uses the `SET TRANSACTION READ ONLY` statement to ensure that the data seen by Export is consistent to a single point in time and does not change during the execution of the `exp` command. You should specify `CONSISTENT=y` when you anticipate that other applications will be updating the target data after an export has started.

If you use `CONSISTENT=n`, each table is usually exported in a single transaction. However, if a table contains nested tables, the outer table and each inner table are exported as separate transactions. If a table is partitioned, each partition is exported as a separate transaction.

Therefore, if nested tables and partitioned tables are being updated by other applications, the data that is exported could be inconsistent. To minimize this possibility, export those tables at a time when updates are not being done.

Table 20–4 shows a sequence of events by two users: `user1` exports partitions in a table and `user2` updates data in that table.

**Table 20–4 Sequence of Events During Updates by Two Users**

Time Sequence	User1	User2
1	Begins export of TAB:P1	No activity
2	No activity	Updates TAB:P2 Updates TAB:P1 Commits transaction
3	Ends export of TAB:P1	No activity
4	Exports TAB:P2	No activity

If the export uses `CONSISTENT=y`, none of the updates by `user2` are written to the export file.

If the export uses `CONSISTENT=n`, the updates to TAB:P1 are not written to the export file. However, the updates to TAB:P2 are written to the export file, because the update transaction is committed before the export of TAB:P2 begins. As a result, the `user2` transaction is only partially recorded in the export file, making it inconsistent.

If you use `CONSISTENT=y` and the volume of updates is large, the rollback segment usage will be large. In addition, the export of each table will be slower, because the rollback segment must be scanned for uncommitted transactions.

Keep in mind the following points about using `CONSISTENT=y`:

- `CONSISTENT=y` is unsupported for exports that are performed when you are connected as user `SYS` or you are using `AS SYSDBA`, or both.
- Export of certain metadata may require the use of the `SYS` schema within recursive SQL. In such situations, the use of `CONSISTENT=y` will be ignored. Oracle recommends that you avoid making metadata changes during an export process in which `CONSISTENT=y` is selected.
- To minimize the time and space required for such exports, you should export tables that need to remain consistent separately from those that do not. For example, export the `emp` and `dept` tables together in a consistent export, and then export the remainder of the database in a second pass.
- A "snapshot too old" error occurs when rollback space is used up, and space taken up by committed transactions is reused for new transactions. Reusing space in the rollback segment allows database integrity to be preserved with minimum space requirements, but it imposes a limit on the amount of time that a read-consistent image can be preserved.

If a committed transaction has been overwritten and the information is needed for a read-consistent view of the database, a "snapshot too old" error results.

To avoid this error, you should minimize the time taken by a read-consistent export. (Do this by restricting the number of objects exported and, if possible, by reducing the database transaction rate.) Also, make the rollback segment as large as possible.

---

---

**Note:** Rollback segments will be deprecated in a future Oracle database release. Oracle recommends that you use automatic undo management instead.

---

---

**See Also:** [OBJECT\\_CONSISTENT](#) on page 20-22

## CONSTRAINTS

Default: *y*

Specifies whether or not the Export utility exports table constraints.

## DIRECT

Default: *n*

Specifies the use of direct path Export.

Specifying `DIRECT=y` causes Export to extract data by reading the data directly, bypassing the SQL command-processing layer (evaluating buffer). This method can be much faster than a conventional path Export.

For information about direct path Exports, including security and performance considerations, see [Invoking a Direct Path Export](#) on page 20-61.

## FEEDBACK

Default: 0 (zero)

Specifies that Export should display a progress meter in the form of a period for *n* number of rows exported. For example, if you specify `FEEDBACK=10`, Export displays a period each time 10 rows are exported. The `FEEDBACK` value applies to all tables being exported; it cannot be set individually for each table.

## FILE

Default: `expdat.dmp`

Specifies the names of the export dump files. The default extension is `.dmp`, but you can specify any extension. Because Export supports multiple export files, you can specify multiple filenames to be used. For example:

```
exp scott/tiger FILE = dat1.dmp, dat2.dmp, dat3.dmp FILESIZE=2048
```

When Export reaches the value you have specified for the maximum `FILESIZE`, Export stops writing to the current file, opens another export file with the next name specified by the `FILE` parameter, and continues until complete or the maximum value of `FILESIZE` is again reached. If you do not specify sufficient export filenames to complete the export, Export will prompt you to provide additional filenames.

## FILESIZE

Default: Data is written to one file until the maximum size, as specified in [Table 20-5](#), is reached.

Export supports writing to multiple export files, and Import can read from multiple export files. If you specify a value (byte limit) for the `FILESIZE` parameter, Export will write only the number of bytes you specify to each dump file.

When the amount of data Export must write exceeds the maximum value you specified for `FILESIZE`, it will get the name of the next export file from the `FILE` parameter (see [FILE](#) on page 20-19 for more information) or, if it has used all the names specified in the `FILE` parameter, it will prompt you to provide a new export filename. If you do not specify a value for `FILESIZE` (note that a value of 0 is equivalent to not specifying `FILESIZE`), then Export will write to only one file, regardless of the number of files specified in the `FILE` parameter.

---



---

**Note:** If the space requirements of your export file exceed the available disk space, Export will terminate, and you will have to repeat the Export after making sufficient disk space available.

---



---

The `FILESIZE` parameter has a maximum value equal to the maximum value that can be stored in 64 bits.

[Table 20–5](#) shows that the maximum size for dump files depends on the operating system you are using and on the release of the Oracle database that you are using.

**Table 20–5** *Maximum Size for Dump Files*

Operating System	Release of Oracle Database	Maximum Size
Any	Prior to 8.1.5	2 gigabytes
32-bit	8.1.5	2 gigabytes
64-bit	8.1.5 and later	Unlimited
32-bit with 32-bit files	Any	2 gigabytes
32-bit with 64-bit files	8.1.6 and later	Unlimited

The maximum value that can be stored in a file is dependent on your operating system. You should verify this maximum value in your Oracle operating system-specific documentation before specifying `FILESIZE`. You should also ensure that the file size you specify for Export is supported on the system on which Import will run.

The `FILESIZE` value can also be specified as a number followed by KB (number of kilobytes). For example, `FILESIZE=2KB` is the same as `FILESIZE=2048`. Similarly, MB specifies megabytes (1024 \* 1024) and GB specifies gigabytes (1024\*\*3). B remains the shorthand for bytes; the number is not multiplied to obtain the final file size (`FILESIZE=2048B` is the same as `FILESIZE=2048`).

## FLASHBACK\_SCN

Default: none

Specifies the system change number (SCN) that Export will use to enable flashback. The export operation is performed with data consistent as of this specified SCN.

**See Also:** *Oracle Database Advanced Application Developer's Guide* for more information about using flashback

The following is an example of specifying an SCN. When the export is performed, the data will be consistent as of SCN 3482971.

```
> exp FILE=exp.dmp FLASHBACK_SCN=3482971
```



## FLASHBACK\_TIME

Default: none

Enables you to specify a timestamp. Export finds the SCN that most closely matches the specified timestamp. This SCN is used to enable flashback. The export operation is performed with data consistent as of this SCN.

You can specify the time in any format that the `DBMS_FLASHBACK.ENABLE_AT_TIME` procedure accepts. This means that you can specify it in either of the following ways:

```
> exp FILE=exp.dmp FLASHBACK_TIME="TIMESTAMP '2002-05-01 11:00:00'"
> exp FILE=exp.dmp FLASHBACK_TIME="TO_TIMESTAMP('12-02-2001 14:35:00', 'DD-MM-YYYY HH24:MI:SS')"
```

Also, the old format, as shown in the following example, will continue to be accepted to ensure backward compatibility:

```
> exp FILE=exp.dmp FLASHBACK_TIME="'2002-05-01 11:00:00'"
```

### See Also:

- *Oracle Database Advanced Application Developer's Guide* for more information about using flashback
- *Oracle Database PL/SQL Packages and Types Reference* for more information about the `DBMS_FLASHBACK` package

## FULL

Default: n

Indicates that the export is a full database mode export (that is, it exports the entire database). Specify `FULL=y` to export in full database mode. You need to have the `EXP_FULL_DATABASE` role to export in this mode.

### Points to Consider for Full Database Exports and Imports

A full database export and import can be a good way to replicate or clean up a database. However, to avoid problems be sure to keep the following points in mind:

- A full export does not export triggers owned by schema `SYS`. You must manually re-create `SYS` triggers either before or after the full import. Oracle recommends that you re-create them after the import in case they define actions that would impede progress of the import.
- A full export also does not export the default profile. If you have modified the default profile in the source database (for example, by adding a password verification function owned by schema `SYS`), then you must manually pre-create the function and modify the default profile in the target database after the import completes.
- If possible, before beginning, make a physical copy of the exported database and the database into which you intend to import. This ensures that any mistakes are reversible.
- Before you begin the export, it is advisable to produce a report that includes the following information:
  - A list of tablespaces and datafiles
  - A list of rollback segments

- A count, by user, of each object type such as tables, indexes, and so on

This information lets you ensure that tablespaces have already been created and that the import was successful.

- If you are creating a completely new database from an export, remember to create an extra rollback segment in `SYSTEM` and to make it available in your initialization parameter file (`init.ora`) before proceeding with the import.
- When you perform the import, ensure you are pointing at the correct instance. This is very important because on some UNIX systems, just the act of entering a subshell can change the database against which an import operation was performed.
- Do not perform a full import on a system that has more than one database unless you are certain that all tablespaces have already been created. A full import creates any undefined tablespaces using the same datafile names as the exported database. This can result in problems in the following situations:
  - If the datafiles belong to any other database, they will become corrupted. This is especially true if the exported database is on the same system, because its datafiles will be reused by the database into which you are importing.
  - If the datafiles have names that conflict with existing operating system files.

## GRANTS

Default: `y`

Specifies whether or not the Export utility exports object grants. The object grants that are exported depend on whether you use full database mode or user mode. In full database mode, all grants on a table are exported. In user mode, only those granted by the owner of the table are exported. System privilege grants are always exported.

## HELP

Default: `none`

Displays a description of the Export parameters. Enter `exp help=y` on the command line to invoke it.

## INDEXES

Default: `y`

Specifies whether or not the Export utility exports indexes.

## LOG

Default: `none`

Specifies a filename (for example, `export.log`) to receive informational and error messages.

If you specify this parameter, messages are logged in the log file *and* displayed to the terminal display.

## OBJECT\_CONSISTENT

Default: `n`

Specifies whether or not the Export utility uses the `SET TRANSACTION READ ONLY` statement to ensure that the data exported is consistent to a single point in time and does not change during the export. If `OBJECT_CONSISTENT` is set to `Y`, each object is exported in its own read-only transaction, even if it is partitioned. In contrast, if you use the `CONSISTENT` parameter, then there is only one read-only transaction.

**See Also:** [CONSISTENT](#) on page 20-17

## OWNER

Default: none

Indicates that the export is a user-mode export and lists the users whose objects will be exported. If the user initiating the export is the database administrator (DBA), multiple users can be listed.

User-mode exports can be used to back up one or more database users. For example, a DBA may want to back up the tables of deleted users for a period of time. User mode is also appropriate for users who want to back up their own data or who want to move objects from one owner to another.

## PARFILE

Default: none

Specifies a filename for a file that contains a list of Export parameters. For more information about using a parameter file, see [Invoking Export and Import](#) on page 20-4.

## QUERY

Default: none

This parameter enables you to select a subset of rows from a set of tables when doing a table mode export. The value of the query parameter is a string that contains a `WHERE` clause for a SQL `SELECT` statement that will be applied to all tables (or table partitions) listed in the `TABLES` parameter.

For example, if user `scott` wants to export only those employees whose job title is `SALESMAN` and whose salary is less than 1600, he could do the following (this example is UNIX-based):

```
exp scott/tiger TABLES=emp QUERY="WHERE job='SALESMAN' and sal <1600"
```

---

**Note:** Because the value of the `QUERY` parameter contains blanks, most operating systems require that the entire strings `WHERE job='SALESMAN' and sal <1600` be placed in double quotation marks or marked as a literal by some method. Operating system reserved characters also need to be preceded by an escape character. See your Oracle operating system-specific documentation for information about special and reserved characters on your system.

---

When executing this query, Export builds a SQL `SELECT` statement similar to the following:

```
SELECT * FROM emp WHERE job='SALESMAN' and sal <1600;
```

The values specified for the `QUERY` parameter are applied to all tables (or table partitions) listed in the `TABLES` parameter. For example, the following statement will unload rows in both `emp` and `bonus` that match the query:

```
exp scott/tiger TABLES=emp,bonus QUERY=\"WHERE job='SALESMAN' and sal<1600\"
```

Again, the SQL statements that Export executes are similar to the following:

```
SELECT * FROM emp WHERE job='SALESMAN' and sal <1600;
```

```
SELECT * FROM bonus WHERE job='SALESMAN' and sal <1600;
```

If a table is missing the columns specified in the `QUERY` clause, an error message will be produced, and no rows will be exported for the offending table.

### Restrictions When Using the `QUERY` Parameter

- The `QUERY` parameter cannot be specified for full, user, or tablespace-mode exports.
- The `QUERY` parameter must be applicable to all specified tables.
- The `QUERY` parameter cannot be specified in a direct path Export (`DIRECT=y`)
- The `QUERY` parameter cannot be specified for tables with inner nested tables.
- You cannot determine from the contents of the export file whether the data is the result of a `QUERY` export.

## RECORDLENGTH

Default: operating system-dependent

Specifies the length, in bytes, of the file record. The `RECORDLENGTH` parameter is necessary when you must transfer the export file to another operating system that uses a different default value.

If you do not define this parameter, it defaults to your platform-dependent value for buffer size.

You can set `RECORDLENGTH` to any value equal to or greater than your system's buffer size. (The highest value is 64 KB.) Changing the `RECORDLENGTH` parameter affects only the size of data that accumulates before writing to the disk. It does not affect the operating system file block size.

---

---

**Note:** You can use this parameter to specify the size of the Export I/O buffer.

---

---

## RESUMABLE

Default: n

The `RESUMABLE` parameter is used to enable and disable resumable space allocation. Because this parameter is disabled by default, you must set `RESUMABLE=y` in order to use its associated parameters, `RESUMABLE_NAME` and `RESUMABLE_TIMEOUT`.

**See Also:**

- *Oracle Database Concepts*
- *Oracle Database Administrator's Guide* for more information about resumable space allocation

**RESUMABLE\_NAME**

Default: 'User USERNAME (USERID), Session SESSIONID, Instance INSTANCEID'

The value for this parameter identifies the statement that is resumable. This value is a user-defined text string that is inserted in either the `USER_RESUMABLE` or `DBA_RESUMABLE` view to help you identify a specific resumable statement that has been suspended.

This parameter is ignored unless the `RESUMABLE` parameter is set to `y` to enable resumable space allocation.

**RESUMABLE\_TIMEOUT**

Default: 7200 seconds (2 hours)

The value of the parameter specifies the time period during which an error must be fixed. If the error is not fixed within the timeout period, execution of the statement is terminated.

This parameter is ignored unless the `RESUMABLE` parameter is set to `y` to enable resumable space allocation.

**ROWS**

Default: `y`

Specifies whether or not the rows of table data are exported.

**STATISTICS**

Default: `ESTIMATE`

Specifies the type of database optimizer statistics to generate when the exported data is imported. Options are `ESTIMATE`, `COMPUTE`, and `NONE`. See the Import parameter [STATISTICS](#) on page 20-36 and [Importing Statistics](#) on page 20-68.

In some cases, Export will place the precalculated statistics in the export file, as well as the `ANALYZE` statements to regenerate the statistics.

However, the precalculated optimizer statistics will not be used at export time if a table has columns with system-generated names.

The precalculated optimizer statistics are flagged as questionable at export time if:

- There are row errors while exporting
- The client character set or NCHAR character set does not match the server character set or NCHAR character set
- A `QUERY` clause is specified
- Only certain partitions or subpartitions are exported

---

---

**Note:** Specifying `ROWS=n` does not preclude saving the precalculated statistics in the export file. This enables you to tune plan generation for queries in a nonproduction database using statistics from a production database.

---

---

**See Also:** *Oracle Database Concepts*

## TABLES

Default: none

Specifies that the export is a table-mode export and lists the table names and partition and subpartition names to export. You can specify the following when you specify the name of the table:

- *schemaname* specifies the name of the user's schema from which to export the table or partition. If a schema name is not specified, the exporter's schema is used as the default. System schema names such as `ORDSYS`, `MDSYS`, `CTXSYS`, `LBACSYS`, and `ORDPLUGINS` are reserved by Export.
- *tablename* specifies the name of the table or tables to be exported. Table-level export lets you export entire partitioned or nonpartitioned tables. If a table in the list is partitioned and you do not specify a partition name, all its partitions and subpartitions are exported.

The table name can contain any number of '%' pattern matching characters, which can each match zero or more characters in the table name against the table objects in the database. All the tables in the relevant schema that match the specified pattern are selected for export, as if the respective table names were explicitly specified in the parameter.

- *partition\_name* indicates that the export is a partition-level Export. Partition-level Export lets you export one or more specified partitions or subpartitions within a table.

The syntax you use to specify the preceding is in the form:

```
schemaname.tablename:partition_name  
schemaname.tablename:subpartition_name
```

If you use *tablename:partition\_name*, the specified table must be partitioned, and *partition\_name* must be the name of one of its partitions or subpartitions. If the specified table is not partitioned, the *partition\_name* is ignored and the entire table is exported.

See [Example Export Session Using Partition-Level Export](#) on page 20-45 for several examples of partition-level Exports.

### Table Name Restrictions

The following restrictions apply to table names:

- By default, table names in a database are stored as uppercase. If you have a table name in mixed-case or lowercase, and you want to preserve case-sensitivity for the table name, you must enclose the name in quotation marks. The name must exactly match the table name stored in the database.

Some operating systems require that quotation marks on the command line be preceded by an escape character. The following are examples of how case-sensitivity can be preserved in the different Export modes.

- In command-line mode:

```
TABLES='\"Emp\"'
```

- In interactive mode:

```
Table(T) to be exported: "Emp"
```

- In parameter file mode:

```
TABLES='\"Emp\"'
```

- Table names specified on the command line cannot include a pound (#) sign, unless the table name is enclosed in quotation marks. Similarly, in the parameter file, if a table name includes a pound (#) sign, the Export utility interprets the rest of the line as a comment, unless the table name is enclosed in quotation marks.

For example, if the parameter file contains the following line, Export interprets everything on the line after `emp#` as a comment and does not export the tables `dept` and `mydata`:

```
TABLES=(emp#, dept, mydata)
```

However, given the following line, the Export utility exports all three tables, because `emp#` is enclosed in quotation marks:

```
TABLES=(\"emp#\", dept, mydata)
```

---



---

**Note:** Some operating systems require single quotation marks rather than double quotation marks, or the reverse. Different operating systems also have other restrictions on table naming.

---



---

## TABLESPACES

Default: none

The `TABLESPACES` parameter specifies that all tables in the specified tablespace be exported to the Export dump file. This includes all tables contained in the list of tablespaces and all tables that have a partition located in the list of tablespaces. Indexes are exported with their tables, regardless of where the index is stored.

You must have the `EXP_FULL_DATABASE` role to use `TABLESPACES` to export all tables in the tablespace.

When `TABLESPACES` is used in conjunction with `TRANSPORT_TABLESPACE=y`, you can specify a limited list of tablespaces to be exported from the database to the export file.

## TRANSPORT\_TABLESPACE

Default: n

When specified as `y`, this parameter enables the export of transportable tablespace metadata.

Encrypted columns are not supported in transportable tablespace mode.

---

---

**Note:** You cannot export transportable tablespaces and then import them into a database at a lower release level. The target database must be at the same or higher release level as the source database.

---

---

**See Also:**

- [Transportable Tablespaces](#) on page 20-57
- *Oracle Database Administrator's Guide*
- *Oracle Database Concepts*

## TRIGGERS

Default: *y*

Specifies whether or not the Export utility exports triggers.

## TTS\_FULL\_CHECK

Default: *n*

When `TTS_FULL_CHECK` is set to *y*, Export verifies that a recovery set (set of tablespaces to be recovered) has no dependencies (specifically, `IN` pointers) on objects outside the recovery set, and the reverse.

## USERID (username/password)

Default: none

Specifies the username, password, and optional connect string of the user performing the export. If you omit the password, Export will prompt you for it.

If you connect as user `SYS`, you must also specify `AS SYSDBA` in the connect string. Your operating system may require you to treat `AS SYSDBA` as a special string, in which case the entire string would be enclosed in quotation marks.

**See Also:**

- *Oracle Database Heterogeneous Connectivity Administrator's Guide*
- The user's guide for your Oracle Net protocol for information about specifying a connect string for Oracle Net

## VOLSIZE

Default: none

Specifies the maximum number of bytes in an export file on each volume of tape.

The `VOLSIZE` parameter has a maximum value equal to the maximum value that can be stored in 64 bits on your platform.

The `VOLSIZE` value can be specified as a number followed by KB (number of kilobytes). For example, `VOLSIZE=2KB` is the same as `VOLSIZE=2048`. Similarly, MB specifies megabytes ( $1024 * 1024$ ) and GB specifies gigabytes ( $1024^{**}3$ ). B remains the shorthand for bytes; the number is not multiplied to get the final file size (`VOLSIZE=2048B` is the same as `VOLSIZE=2048`).



## Import Parameters

This section contains descriptions of the Import command-line parameters.

### BUFFER

Default: operating system-dependent

The integer specified for BUFFER is the size, in bytes, of the buffer through which data rows are transferred.

BUFFER determines the number of rows in the array inserted by Import. The following formula gives an approximation of the buffer size that inserts a given array of rows:

$$\text{buffer\_size} = \text{rows\_in\_array} * \text{maximum\_row\_size}$$

For tables containing LOBs or LONG, BFILE, REF, ROWID, UROWID, or TIMESTAMP columns, rows are inserted individually. The size of the buffer must be large enough to contain the entire row, except for LOB and LONG columns. If the buffer cannot hold the longest row in a table, Import attempts to allocate a larger buffer.

For DATE columns, two or more rows are inserted at once if the buffer is large enough.

---

---

**Note:** See your Oracle operating system-specific documentation to determine the default value for this parameter.

---

---

### COMMIT

Default: n

Specifies whether Import should commit after each array insert. By default, Import commits only after loading each table, and Import performs a rollback when an error occurs, before continuing with the next object.

If a table has nested table columns or attributes, the contents of the nested tables are imported as separate tables. Therefore, the contents of the nested tables are always committed in a transaction distinct from the transaction used to commit the outer table.

If COMMIT=n and a table is partitioned, each partition and subpartition in the Export file is imported in a separate transaction.

For tables containing LOBs, LONG, BFILE, REF, ROWID, or UROWID columns, array inserts are not done. If COMMIT=y, Import commits these tables after each row.

### COMPILE

Default: y

Specifies whether or not Import should compile packages, procedures, and functions as they are created.

If COMPILE=n, these units are compiled on their first use. For example, packages that are used to build domain indexes are compiled when the domain indexes are created.

**See Also:** [Importing Stored Procedures, Functions, and Packages](#)  
on page 20-74

## CONSTRAINTS

Default: *y*

Specifies whether or not table constraints are to be imported. The default is to import constraints. If you do not want constraints to be imported, you must set the parameter value to *n*.

Note that primary key constraints for index-organized tables (IOTs) and object tables are always imported.

## DATAFILES

Default: none

When `TRANSPORT_TABLESPACE` is specified as *y*, use this parameter to list the datafiles to be transported into the database.

**See Also:** [TRANSPORT\\_TABLESPACE](#) on page 20-40

## DESTROY

Default: *n*

Specifies whether or not the existing datafiles making up the database should be reused. That is, specifying `DESTROY=y` causes Import to include the `REUSE` option in the datafile clause of the `SQL CREATE TABLESPACE` statement, which causes Import to reuse the original database's datafiles after deleting their contents.

Note that the export file contains the datafile names used in each tablespace. If you specify `DESTROY=y` and attempt to create a second database on the same system (for testing or other purposes), the Import utility will overwrite the first database's datafiles when it creates the tablespace. In this situation you should use the default, `DESTROY=n`, so that an error occurs if the datafiles already exist when the tablespace is created. Also, when you need to import into the original database, you will need to specify `IGNORE=y` to add to the existing datafiles without replacing them.

---

---

**Caution:** If datafiles are stored on a raw device, `DESTROY=n` *does not prevent* files from being overwritten.

---

---

## FEEDBACK

Default: 0 (zero)

Specifies that Import should display a progress meter in the form of a period for *n* number of rows imported. For example, if you specify `FEEDBACK=10`, Import displays a period each time 10 rows have been imported. The `FEEDBACK` value applies to all tables being imported; it cannot be individually set for each table.

## FILE

Default: `expdat.dmp`

Specifies the names of the export files to import. The default extension is `.dmp`. Because Export supports multiple export files (see the following description of the `FILESIZE` parameter), you may need to specify multiple filenames to be imported. For example:

```
imp scott/tiger IGNORE=y FILE = dat1.dmp, dat2.dmp, dat3.dmp FILESIZE=2048
```

You need not be the user who exported the export files; however, you must have read access to the files. If you were not the exporter of the export files, you must also have the `IMP_FULL_DATABASE` role granted to you.

## FILESIZE

Default: operating system-dependent

Export supports writing to multiple export files, and Import can read from multiple export files. If, on export, you specify a value (byte limit) for the Export `FILESIZE` parameter, Export will write only the number of bytes you specify to each dump file. On import, you must use the Import parameter `FILESIZE` to tell Import the maximum dump file size you specified on export.

---

---

**Note:** The maximum size allowed is operating system-dependent. You should verify this maximum value in your Oracle operating system-specific documentation before specifying `FILESIZE`.

---

---

The `FILESIZE` value can be specified as a number followed by KB (number of kilobytes). For example, `FILESIZE=2KB` is the same as `FILESIZE=2048`. Similarly, MB specifies megabytes ( $1024 * 1024$ ) and GB specifies gigabytes ( $1024^{**3}$ ). B remains the shorthand for bytes; the number is not multiplied to obtain the final file size (`FILESIZE=2048B` is the same as `FILESIZE=2048`).

For information about the maximum size of dump files, see [Table 20-5](#).

## FROMUSER

Default: none

A comma-delimited list of schemas to import. This parameter is relevant only to users with the `IMP_FULL_DATABASE` role. The parameter enables you to import a subset of schemas from an export file containing multiple schemas (for example, a full export dump file or a multischema, user-mode export dump file).

Schema names that appear inside function-based indexes, functions, procedures, triggers, type bodies, views, and so on, are *not* affected by `FROMUSER` or `TOUSER` processing. Only the *name* of the object is affected. After the import has completed, items in any `TOUSER` schema should be manually checked for references to old (`FROMUSER`) schemas, and corrected if necessary.

You will typically use `FROMUSER` in conjunction with the Import parameter `TOUSER`, which you use to specify a list of usernames whose schemas will be targets for import (see [TOUSER](#) on page 20-40). The user that you specify with `TOUSER` must exist in the target database prior to the import operation; otherwise an error is returned.

If you do not specify `TOUSER`, Import will do the following:

- Import objects into the `FROMUSER` schema if the export file is a full dump or a multischema, user-mode export dump file
- Create objects in the importer's schema (regardless of the presence of or absence of the `FROMUSER` schema on import) if the export file is a single-schema, user-mode export dump file created by an unprivileged user

---

---

**Note:** Specifying FROMUSER=SYSTEM causes only schema objects belonging to user SYSTEM to be imported; it does not cause system objects to be imported.

---

---

## FULL

Default: *y*

Specifies whether to import the entire export dump file.

## GRANTS

Default: *y*

Specifies whether to import object grants.

By default, the Import utility imports any object grants that were exported. If the export was a user-mode export, the export file contains only first-level object grants (those granted by the owner).

If the export was a full database mode export, the export file contains all object grants, including lower-level grants (those granted by users given a privilege with the WITH GRANT OPTION). If you specify GRANTS=*n*, the Import utility does not import object grants. (Note that system grants *are* imported even if GRANTS=*n*.)

---

---

**Note:** Export does not export grants on data dictionary views for security reasons that affect Import. If such grants were exported, access privileges would be changed and the importer would not be aware of this.

---

---

## HELP

Default: *none*

Displays a description of the Import parameters. Enter `imp HELP=y` on the command line to invoke it.

## IGNORE

Default: *n*

Specifies how object creation errors should be handled. If you accept the default, IGNORE=*n*, Import logs or displays object creation errors before continuing.

If you specify IGNORE=*y*, Import overlooks object creation errors when it attempts to create database objects, and continues without reporting the errors.

Note that only *object creation errors* are ignored; other errors, such as operating system, database, and SQL errors, *are not* ignored and may cause processing to stop.

In situations where multiple refreshes from a single export file are done with IGNORE=*y*, certain objects can be created multiple times (although they will have unique system-defined names). You can prevent this for certain objects (for example, constraints) by doing an import with CONSTRAINTS=*n*. If you do a full import with CONSTRAINTS=*n*, no constraints for any tables are imported.

If a table already exists and IGNORE=*y*, then rows are imported into existing tables without any errors or messages being given. You might want to import data into

tables that already exist in order to use new storage parameters or because you have already created the table in a cluster.

If a table already exists and `IGNORE=n`, then errors are reported and the table is skipped with no rows inserted. Also, objects dependent on tables, such as indexes, grants, and constraints, will not be created.

---



---

**Caution:** When you import into existing tables, if no column in the table is uniquely indexed, rows could be duplicated.

---



---

## INDEXES

Default: `y`

Specifies whether or not to import indexes. System-generated indexes such as LOB indexes, OID indexes, or unique constraint indexes are re-created by Import regardless of the setting of this parameter.

You can postpone all user-generated index creation until after Import completes, by specifying `INDEXES=n`.

If indexes for the target table already exist at the time of the import, Import performs index maintenance when data is inserted into the table.

## INDEXFILE

Default: none

Specifies a file to receive index-creation statements.

When this parameter is specified, index-creation statements for the requested mode are extracted and written to the specified file, rather than used to create indexes in the database. No database objects are imported.

If the Import parameter `CONSTRAINTS` is set to `y`, Import also writes table constraints to the index file.

The file can then be edited (for example, to change storage parameters) and used as a SQL script to create the indexes.

To make it easier to identify the indexes defined in the file, the export file's `CREATE TABLE` statements and `CREATE CLUSTER` statements are included as comments.

Perform the following steps to use this feature:

1. Import using the `INDEXFILE` parameter to create a file of index-creation statements.
2. Edit the file, making certain to add a valid password to the `connect` strings.
3. Rerun Import, specifying `INDEXES=n`.

(This step imports the database objects while preventing Import from using the index definitions stored in the export file.)

4. Execute the file of index-creation statements as a SQL script to create the index.

The `INDEXFILE` parameter can be used only with the `FULL=y`, `FROMUSER`, `TOUSER`, or `TABLES` parameters.

## LOG

Default: none

Specifies a file (for example, import.log) to receive informational and error messages. If you specify a log file, the Import utility writes all information to the log in addition to the terminal display.

## PARFILE

Default: none

Specifies a filename for a file that contains a list of Import parameters. For more information about using a parameter file, see [Parameter Files](#) on page 20-5.

## RECORDLENGTH

Default: operating system-dependent

Specifies the length, in bytes, of the file record. The RECORDLENGTH parameter is necessary when you must transfer the export file to another operating system that uses a different default value.

If you do not define this parameter, it defaults to your platform-dependent value for BUFSIZ .

You can set RECORDLENGTH to any value equal to or greater than your system's BUFSIZ. (The highest value is 64 KB.) Changing the RECORDLENGTH parameter affects only the size of data that accumulates before writing to the database. It does not affect the operating system file block size.

You can also use this parameter to specify the size of the Import I/O buffer.

## RESUMABLE

Default: n

The RESUMABLE parameter is used to enable and disable resumable space allocation. Because this parameter is disabled by default, you must set RESUMABLE=y in order to use its associated parameters, RESUMABLE\_NAME and RESUMABLE\_TIMEOUT.

### See Also:

- *Oracle Database Concepts*
- *Oracle Database Administrator's Guide* for more information about resumable space allocation

## RESUMABLE\_NAME

Default: 'User USERNAME (USERID), Session SESSIONID, Instance INSTANCEID'

The value for this parameter identifies the statement that is resumable. This value is a user-defined text string that is inserted in either the USER\_RESUMABLE or DBA\_RESUMABLE view to help you identify a specific resumable statement that has been suspended.

This parameter is ignored unless the RESUMABLE parameter is set to y to enable resumable space allocation.

## RESUMABLE\_TIMEOUT

Default: 7200 seconds (2 hours)

The value of the parameter specifies the time period during which an error must be fixed. If the error is not fixed within the timeout period, execution of the statement is terminated.

This parameter is ignored unless the `RESUMABLE` parameter is set to `y` to enable resumable space allocation.

## ROWS

Default: `y`

Specifies whether or not to import the rows of table data.

If `ROWS=n`, then statistics for all imported tables will be locked after the import operation is finished.

## SHOW

Default: `n`

When `SHOW=y`, the contents of the export dump file are listed to the display and not imported. The SQL statements contained in the export are displayed in the order in which Import will execute them.

The `SHOW` parameter can be used only with the `FULL=y`, `FROMUSER`, `TOUSER`, or `TABLES` parameter.

## SKIP\_UNUSABLE\_INDEXES

Default: the value of the Oracle database configuration parameter, `SKIP_UNUSABLE_INDEXES`, as specified in the initialization parameter file

Both Import and the Oracle database provide a `SKIP_UNUSABLE_INDEXES` parameter. The Import `SKIP_UNUSABLE_INDEXES` parameter is specified at the Import command line. The Oracle database `SKIP_UNUSABLE_INDEXES` parameter is specified as a configuration parameter in the initialization parameter file. It is important to understand how they affect each other.

If you do not specify a value for `SKIP_UNUSABLE_INDEXES` at the Import command line, then Import uses the database setting for the `SKIP_UNUSABLE_INDEXES` configuration parameter, as specified in the initialization parameter file.

If you do specify a value for `SKIP_UNUSABLE_INDEXES` at the Import command line, it overrides the value of the `SKIP_UNUSABLE_INDEXES` configuration parameter in the initialization parameter file.

A value of `y` means that Import will skip building indexes that were set to the Index Unusable state (by either system or user). Other indexes (not previously set to Index Unusable) continue to be updated as rows are inserted.

This parameter enables you to postpone index maintenance on selected index partitions until after row data has been inserted. You then have the responsibility to rebuild the affected index partitions after the Import.

---

---

**Note:** Indexes that are unique and marked Unusable are not allowed to skip index maintenance. Therefore, the `SKIP_UNUSABLE_INDEXES` parameter has no effect on unique indexes.

---

---

You can use the `INDEXFILE` parameter in conjunction with `INDEXES=n` to provide the SQL scripts for re-creating the index. If the `SKIP_UNUSABLE_INDEXES` parameter is not specified, row insertions that attempt to update unusable indexes will fail.

**See Also:** The `ALTER SESSION` statement in the *Oracle Database SQL Language Reference*

## STATISTICS

Default: `ALWAYS`

Specifies what is done with the database optimizer statistics at import time.

The options are:

- `ALWAYS`  
Always import database optimizer statistics regardless of whether or not they are questionable.
- `NONE`  
Do not import or recalculate the database optimizer statistics.
- `SAFE`  
Import database optimizer statistics only if they are not questionable. If they are questionable, recalculate the optimizer statistics.
- `RECALCULATE`  
Do not import the database optimizer statistics. Instead, recalculate them on import. This requires that the original export operation that created the dump file must have generated the necessary `ANALYZE` statements (that is, the export was not performed with `STATISTICS=NONE`). These `ANALYZE` statements are included in the dump file and used by the import operation for recalculation of the table's statistics.

**See Also:**

- *Oracle Database Concepts* for more information about the optimizer and the statistics it uses
- [Importing Statistics](#) on page 20-68

## STREAMS\_CONFIGURATION

Default: `y`

Specifies whether or not to import any general Streams metadata that may be present in the export dump file.

**See Also:** *Oracle Streams Replication Administrator's Guide*

## STREAMS\_INSTANTIATION

Default: `n`



Specifies whether or not to import Streams instantiation metadata that may be present in the export dump file. Specify *y* if the import is part of an instantiation in a Streams environment.

**See Also:** *Oracle Streams Replication Administrator's Guide*

## TABLES

Default: none

Specifies that the import is a table-mode import and lists the table names and partition and subpartition names to import. Table-mode import lets you import entire partitioned or nonpartitioned tables. The TABLES parameter restricts the import to the specified tables and their associated objects, as listed in [Table 20-3](#) on page 20-12. You can specify the following values for the TABLES parameter:

- *tablename* specifies the name of the table or tables to be imported. If a table in the list is partitioned and you do not specify a partition name, all its partitions and subpartitions are imported. To import all the exported tables, specify an asterisk (\*) as the only table name parameter.

*tablename* can contain any number of '%' pattern matching characters, which can each match zero or more characters in the table names in the export file. All the tables whose names match all the specified patterns of a specific table name in the list are selected for import. A table name in the list that consists of all pattern matching characters and no partition name results in all exported tables being imported.

- *partition\_name* and *subpartition\_name* let you restrict the import to one or more specified partitions or subpartitions within a partitioned table.

The syntax you use to specify the preceding is in the form:

```
tablename:partition_name
```

```
tablename:subpartition_name
```

If you use *tablename:partition\_name*, the specified table must be partitioned, and *partition\_name* must be the name of one of its partitions or subpartitions. If the specified table is not partitioned, the *partition\_name* is ignored and the entire table is imported.

The number of tables that can be specified at the same time is dependent on command-line limits.

As the export file is processed, each table name in the export file is compared against each table name in the list, in the order in which the table names were specified in the parameter. To avoid ambiguity and excessive processing time, specific table names should appear at the beginning of the list, and more general table names (those with patterns) should appear at the end of the list.

Although you can qualify table names with schema names (as in `scott.emp`) when exporting, you *cannot* do so when importing. In the following example, the TABLES parameter is specified incorrectly:

```
imp TABLES=(jones.accts, scott.emp, scott.dept)
```

The valid specification to import these tables is as follows:

```
imp FROMUSER=jones TABLES=(accts)
imp FROMUSER=scott TABLES=(emp,dept)
```

For a more detailed example, see [Example Import Using Pattern Matching to Import Various Tables](#) on page 20-51.

---

---

**Note:** Some operating systems, such as UNIX, require that you use escape characters before special characters, such as a parenthesis, so that the character is not treated as a special character. On UNIX, use a backslash (\) as the escape character, as shown in the following example:

```
TABLES=\ (emp, dept\)
```

---

---

### Table Name Restrictions

The following restrictions apply to table names:

- By default, table names in a database are stored as uppercase. If you have a table name in mixed-case or lowercase, and you want to preserve case-sensitivity for the table name, you must enclose the name in quotation marks. The name must exactly match the table name stored in the database.

Some operating systems require that quotation marks on the command line be preceded by an escape character. The following are examples of how case-sensitivity can be preserved in the different Import modes.

- In command-line mode:

```
tables=\' \"Emp\''
```

- In interactive mode:

```
Table(T) to be exported: "Exp"
```

- In parameter file mode:

```
tables=' \"Emp\"'
```

- Table names specified on the command line cannot include a pound (#) sign, unless the table name is enclosed in quotation marks. Similarly, in the parameter file, if a table name includes a pound (#) sign, the Import utility interprets the rest of the line as a comment, unless the table name is enclosed in quotation marks.

For example, if the parameter file contains the following line, Import interprets everything on the line after `emp#` as a comment and does not import the tables `dept` and `mydata`:

```
TABLES=(emp#, dept, mydata)
```

However, given the following line, the Import utility imports all three tables because `emp#` is enclosed in quotation marks:

```
TABLES=(\"emp#\", dept, mydata)
```

---



---

**Note:** Some operating systems require single quotation marks rather than double quotation marks, or the reverse; see your Oracle operating system-specific documentation. Different operating systems also have other restrictions on table naming.

For example, the UNIX C shell attaches a special meaning to a dollar sign (\$) or pound sign (#) (or certain other special characters). You must use escape characters to get such characters in the name past the shell and into Import.

---



---

## TABLESPACES

Default: none

When `TRANSPORT_TABLESPACE` is specified as `y`, use this parameter to list the tablespaces to be transported into the database. If there is more than one tablespace in the export file, you must specify all of them as part of the import operation.

See [TRANSPORT\\_TABLESPACE](#) on page 20-40 for more information.

## TOID\_NOVALIDATE

Default: none

When you import a table that references a type, but a type of that name already exists in the database, Import attempts to verify that the preexisting type is, in fact, the type used by the table (rather than a different type that just happens to have the same name).

To do this, Import compares the type's unique identifier (TOID) with the identifier stored in the export file. Import will not import the table rows if the TOIDs do not match.

In some situations, you may not want this validation to occur on specified types (for example, if the types were created by a cartridge installation). You can use the `TOID_NOVALIDATE` parameter to specify types to exclude from TOID comparison.

The syntax is as follows:

```
TOID_NOVALIDATE=([schemaname.]typename [, ...])
```

For example:

```
imp scott/tiger TABLES=jobs TOID_NOVALIDATE=typ1
imp scott/tiger TABLES=salaries TOID_NOVALIDATE=(fred.typ0,sally.typ2,typ3)
```

If you do not specify a schema name for the type, it defaults to the schema of the importing user. For example, in the first preceding example, the type `typ1` defaults to `scott.typ1` and in the second example, the type `typ3` defaults to `scott.typ3`.

Note that `TOID_NOVALIDATE` deals only with table column types. It has no effect on table types.

The output of a typical import with excluded types would contain entries similar to the following:

```
[...]
. importing IMP3's objects into IMP3
. . skipping TOID validation on type IMP2.TOIDTYP0
. . importing table          "TOIDTAB3"
[...]
```

---

---

**Caution:** When you inhibit validation of the type identifier, it is your responsibility to ensure that the attribute list of the imported type matches the attribute list of the existing type. If these attribute lists do not match, results are unpredictable.

---

---

## TOUSER

Default: none

Specifies a list of user names whose schemas will be targets for Import. The user names must exist prior to the import operation; otherwise an error is returned. The `IMP_FULL_DATABASE` role is required to use this parameter. To import to a different schema than the one that originally contained the object, specify `TOUSER`. For example:

```
imp FROMUSER=scott TOUSER=joe TABLES=emp
```

If multiple schemas are specified, the schema names are paired. The following example imports `scott`'s objects into `joe`'s schema, and `fred`'s objects into `ted`'s schema:

```
imp FROMUSER=scott,fred TOUSER=joe,ted
```

If the `FROMUSER` list is longer than the `TOUSER` list, the remaining schemas will be imported into either the `FROMUSER` schema, or into the importer's schema, based on normal defaulting rules. You can use the following syntax to ensure that any extra objects go into the `TOUSER` schema:

```
imp FROMUSER=scott,adams TOUSER=ted,ted
```

Note that user `ted` is listed twice.

**See Also:** [FROMUSER](#) on page 20-31 for information about restrictions when using `FROMUSER` and `TOUSER`

## TRANSPORT\_TABLESPACE

Default: n

When specified as `y`, instructs Import to import transportable tablespace metadata from an export file.

Encrypted columns are not supported in transportable tablespace mode.

---

---

**Note:** You cannot export transportable tablespaces and then import them into a database at a lower release level. The target database must be at the same or higher release level as the source database.

---

---

## TTS\_OWNERS

Default: none

When `TRANSPORT_TABLESPACE` is specified as `y`, use this parameter to list the users who own the data in the transportable tablespace set.

See [TRANSPORT\\_TABLESPACE](#) on page 20-40.

## USERID (username/password)

Default: none

Specifies the username, password, and an optional connect string of the user performing the import.

If you connect as user `SYS`, you must also specify `AS SYSDBA` in the connect string. Your operating system may require you to treat `AS SYSDBA` as a special string, in which case the entire string would be enclosed in quotation marks.

### See Also:

- *Oracle Database Heterogeneous Connectivity Administrator's Guide*
- The user's guide for your Oracle Net protocol for information about specifying a connect string for Oracle Net

## VOLSIZE

Default: none

Specifies the maximum number of bytes in a dump file on each volume of tape.

The `VOLSIZE` parameter has a maximum value equal to the maximum value that can be stored in 64 bits on your platform.

The `VOLSIZE` value can be specified as number followed by KB (number of kilobytes). For example, `VOLSIZE=2KB` is the same as `VOLSIZE=2048`. Similarly, MB specifies megabytes ( $1024 * 1024$ ) and GB specifies gigabytes ( $1024**3$ ). The shorthand for bytes remains B; the number is not multiplied to get the final file size (`VOLSIZE=2048B` is the same as `VOLSIZE=2048`).

## Example Export Sessions

This section provides examples of the following types of Export sessions:

- [Example Export Session in Full Database Mode](#)
- [Example Export Session in User Mode](#)
- [Example Export Sessions in Table Mode](#)
- [Example Export Session Using Partition-Level Export](#)

In each example, you are shown how to use both the command-line method and the parameter file method. Some examples use vertical ellipses to indicate sections of example output that were too long to include.

### Example Export Session in Full Database Mode

Only users with the DBA role or the `EXP_FULL_DATABASE` role can export in full database mode. In this example, an entire database is exported to the file `dba.dmp` with all GRANTS and all data.

#### Parameter File Method

```
> exp PARFILE=params.dat
```

The `params.dat` file contains the following information:

```
FILE=dba.dmp
GRANTS=y
```

```
FULL=y
ROWS=y
```

### Command-Line Method

```
> exp FULL=y FILE=dba.dmp GRANTS=y ROWS=y
```

### Export Messages

Information is displayed about the release of Export you are using and the release of Oracle Database that you are connected to. Status messages are written out as the entire database is exported. A final completion message is returned when the export completes successfully, without warnings.

## Example Export Session in User Mode

User-mode exports can be used to back up one or more database users. For example, a DBA may want to back up the tables of deleted users for a period of time. User mode is also appropriate for users who want to back up their own data or who want to move objects from one owner to another. In this example, user `scott` is exporting his own tables.

### Parameter File Method

```
> exp scott/tiger PARFILE=params.dat
```

The `params.dat` file contains the following information:

```
FILE=scott.dmp
OWNER=scott
GRANTS=y
ROWS=y
COMPRESS=y
```

### Command-Line Method

```
> exp scott/tiger FILE=scott.dmp OWNER=scott GRANTS=y ROWS=y COMPRESS=y
```

### Export Messages

Information is displayed about the release of Export you are using and the release of Oracle Database that you are connected to. Then, status messages similar to the following are shown:

```
.
.
. about to export SCOTT's tables via Conventional Path ...
. . exporting table          BONUS          0 rows exported
. . exporting table          DEPT            4 rows exported
. . exporting table          EMP            14 rows exported
. . exporting table          SALGRADE       5 rows exported
.
.
.
Export terminated successfully without warnings.
```

## Example Export Sessions in Table Mode

In table mode, you can export table data or the table definitions. (If no rows are exported, the `CREATE TABLE` statement is placed in the export file, with grants and indexes, if they are specified.)

A user with the `EXP_FULL_DATABASE` role can use table mode to export tables from any user's schema by specifying `TABLES=schemaname.tablename`.

If `schemaname` is not specified, Export defaults to the exporter's schema name. In the following example, Export defaults to the `SYSTEM` schema for table `a` and table `c`:

```
> exp TABLES=(a, scott.b, c, mary.d)
```

A user with the `EXP_FULL_DATABASE` role can also export dependent objects that are owned by other users. A nonprivileged user can export only dependent objects for the specified tables that the user owns.

Exports in table mode do not include cluster definitions. As a result, the data is exported as unclustered tables. Thus, you can use table mode to uncluster tables.

### Example 1: DBA Exporting Tables for Two Users

In this example, a DBA exports specified tables for two users.

#### Parameter File Method

```
> exp PARFILE=params.dat
```

The `params.dat` file contains the following information:

```
FILE=expdat.dmp
TABLES=(scott.emp,blake.dept)
GRANTS=y
INDEXES=y
```

#### Command-Line Method

```
> exp FILE=expdat.dmp TABLES=(scott.emp,blake.dept) GRANTS=y INDEXES=y
```

#### Export Messages

Information is displayed about the release of Export you are using and the release of Oracle Database that you are connected to. Then, status messages similar to the following are shown:

```
.
.
.
About to export specified tables via Conventional Path ...
Current user changed to SCOTT
. . exporting table                EMP                14 rows exported
Current user changed to BLAKE
. . exporting table                DEPT                8 rows exported
Export terminated successfully without warnings.
```

### Example 2: User Exports Tables That He Owns

In this example, user `blake` exports selected tables that he owns.

#### Parameter File Method

```
> exp blake/paper PARFILE=params.dat
```

The `params.dat` file contains the following information:

```
FILE=blake.dmp
TABLES=(dept,manager)
ROWS=y
```

COMPRESS=y

### Command-Line Method

```
> exp blake/paper FILE=blake.dmp TABLES=(dept, manager) ROWS=y COMPRESS=y
```

### Export Messages

Information is displayed about the release of Export you are using and the release of Oracle Database that you are connected to. Then, status messages similar to the following are shown:

```
.
.
.

About to export specified tables via Conventional Path ...
. . exporting table                DEPT                8 rows exported
. . exporting table                MANAGER            4 rows exported
Export terminated successfully without warnings.
```

### Example 3: Using Pattern Matching to Export Various Tables

In this example, pattern matching is used to export various tables for users scott and blake.

### Parameter File Method

```
> exp PARFILE=params.dat
```

The `params.dat` file contains the following information:

```
FILE=misc.dmp
TABLES=(scott.%P%,blake.%,scott.%S%)
```

### Command-Line Method

```
> exp FILE=misc.dmp TABLES=(scott.%P%,blake.%,scott.%S%)
```

### Export Messages

Information is displayed about the release of Export you are using and the release of Oracle Database that you are connected to. Then, status messages similar to the following are shown:

```
.
.
.

About to export specified tables via Conventional Path ...
Current user changed to SCOTT
. . exporting table                DEPT                4 rows exported
. . exporting table                EMP                14 rows exported
Current user changed to BLAKE
. . exporting table                DEPT                8 rows exported
. . exporting table                MANAGER            4 rows exported
Current user changed to SCOTT
. . exporting table                BONUS                0 rows exported
. . exporting table                SALGRADE            5 rows exported
Export terminated successfully without warnings.
```



## Example Export Session Using Partition-Level Export

In partition-level Export, you can specify the partitions and subpartitions of a table that you want to export.

### Example 1: Exporting a Table Without Specifying a Partition

Assume `emp` is a table that is partitioned on employee name. There are two partitions, `m` and `z`. As this example shows, if you export the table without specifying a partition, all of the partitions are exported.

#### Parameter File Method

```
> exp scott/tiger PARFILE=params.dat
```

The `params.dat` file contains the following:

```
TABLES=(emp)
ROWS=y
```

#### Command-Line Method

```
> exp scott/tiger TABLES=emp rows=y
```

#### Export Messages

Information is displayed about the release of Export you are using and the release of Oracle Database that you are connected to. Then, status messages similar to the following are shown:

```
.
.
.
About to export specified tables via Conventional Path ...
. . exporting table                EMP
. . exporting partition              M           8 rows exported
. . exporting partition              Z           6 rows exported
Export terminated successfully without warnings.
```

### Example 2: Exporting a Table with a Specified Partition

Assume `emp` is a table that is partitioned on employee name. There are two partitions, `m` and `z`. As this example shows, if you export the table and specify a partition, only the specified partition is exported.

#### Parameter File Method

```
> exp scott/tiger PARFILE=params.dat
```

The `params.dat` file contains the following:

```
TABLES=(emp:m)
ROWS=y
```

#### Command-Line Method

```
> exp scott/tiger TABLES=emp:m rows=y
```

#### Export Messages

Information is displayed about the release of Export you are using and the release of Oracle Database that you are connected to. Then, status messages similar to the following are shown:

```

.
.
.
About to export specified tables via Conventional Path ...
. . exporting table                               EMP
. . exporting partition                            M           8 rows exported
Export terminated successfully without warnings.

```

### Example 3: Exporting a Composite Partition

Assume emp is a partitioned table with two partitions, m and z. Table emp is partitioned using the composite method. Partition m has subpartitions sp1 and sp2, and partition z has subpartitions sp3 and sp4. As the example shows, if you export the composite partition m, all its subpartitions (sp1 and sp2) will be exported. If you export the table and specify a subpartition (sp4), only the specified subpartition is exported.

#### Parameter File Method

```
> exp scott/tiger PARFILE=params.dat
```

The params.dat file contains the following:

```
TABLES=(emp:m,emp:sp4)
ROWS=y
```

#### Command-Line Method

```
> exp scott/tiger TABLES=(emp:m, emp:sp4) ROWS=y
```

#### Export Messages

Information is displayed about the release of Export you are using and the release of Oracle Database that you are connected to. Then, status messages similar to the following are shown:

```

.
.
.
About to export specified tables via Conventional Path ...
. . exporting table                               EMP
. . exporting composite partition                  M
. . exporting subpartition                         SP1           1 rows exported
. . exporting subpartition                         SP2           3 rows exported
. . exporting composite partition                  Z
. . exporting subpartition                         SP4           1 rows exported
Export terminated successfully without warnings.

```

## Example Import Sessions

This section gives some examples of import sessions that show you how to use the parameter file and command-line methods. The examples illustrate the following scenarios:

- [Example Import of Selected Tables for a Specific User](#)
- [Example Import of Tables Exported by Another User](#)
- [Example Import of Tables from One User to Another](#)
- [Example Import Session Using Partition-Level Import](#)

- [Example Import Using Pattern Matching to Import Various Tables](#)

## Example Import of Selected Tables for a Specific User

In this example, using a full database export file, an administrator imports the `dept` and `emp` tables into the `scott` schema.

### Parameter File Method

```
> imp PARFILE=params.dat
```

The `params.dat` file contains the following information:

```
FILE=dba.dmp
SHOW=n
IGNORE=n
GRANTS=y
FROMUSER=scott
TABLES=(dept,emp)
```

### Command-Line Method

```
> imp FILE=dba.dmp FROMUSER=scott TABLES=(dept,emp)
```

### Import Messages

Information is displayed about the release of Import you are using and the release of Oracle Database that you are connected to. Status messages are also displayed.

## Example Import of Tables Exported by Another User

This example illustrates importing the `unit` and `manager` tables from a file exported by `blake` into the `scott` schema.

### Parameter File Method

```
> imp PARFILE=params.dat
```

The `params.dat` file contains the following information:

```
FILE=blake.dmp
SHOW=n
IGNORE=n
GRANTS=y
ROWS=y
FROMUSER=blake
TOUSER=scott
TABLES=(unit,manager)
```

### Command-Line Method

```
> imp FROMUSER=blake TOUSER=scott FILE=blake.dmp TABLES=(unit,manager)
```

### Import Messages

Information is displayed about the release of Import you are using and the release of Oracle Database that you are connected to. Status messages are also displayed.

## Example Import of Tables from One User to Another

In this example, a database administrator (DBA) imports all tables belonging to `scott` into user `blake`'s account.

### Parameter File Method

```
> imp PARFILE=params.dat
```

The `params.dat` file contains the following information:

```
FILE=scott.dmp
FROMUSER=scott
TOUSER=blake
TABLES=(*)
```

### Command-Line Method

```
> imp FILE=scott.dmp FROMUSER=scott TOUSER=blake TABLES=(*)
```

### Import Messages

Information is displayed about the release of Import you are using and the release of Oracle Database that you are connected to. Then, status messages similar to the following are shown:

```
.
.
.
Warning: the objects were exported by SCOTT, not by you

import done in WE8DEC character set and AL16UTF16 NCHAR character set
. importing SCOTT's objects into BLAKE
. . importing table          "BONUS"          0 rows imported
. . importing table          "DEPT"           4 rows imported
. . importing table          "EMP"            14 rows imported
. . importing table          "SALGRADE"       5 rows imported
Import terminated successfully without warnings.
```

## Example Import Session Using Partition-Level Import

This section describes an import of a table with multiple partitions, a table with partitions and subpartitions, and repartitioning a table on different columns.

### Example 1: A Partition-Level Import

In this example, `emp` is a partitioned table with three partitions: `P1`, `P2`, and `P3`.

A table-level export file was created using the following command:

```
> exp scott/tiger TABLES=emp FILE=exmpexp.dat ROWS=y
```

### Export Messages

Information is displayed about the release of Export you are using and the release of Oracle Database that you are connected to. Then, status messages similar to the following are shown:

```
.
.
.
About to export specified tables via Conventional Path ...
. . exporting table          EMP
```

```

. . exporting partition                P1          7 rows exported
. . exporting partition                P2          12 rows exported
. . exporting partition                P3           3 rows exported
Export terminated successfully without warnings.

```

In a partition-level Import you can specify the specific partitions of an exported table that you want to import. In this example, these are P1 and P3 of table emp:

```
> imp scott/tiger TABLES=(emp:p1,emp:p3) FILE=exmpexp.dat ROWS=y
```

### Import Messages

Information is displayed about the release of Import you are using and the release of Oracle Database that you are connected to. Status messages are also displayed.

### Example 2: A Partition-Level Import of a Composite Partitioned Table

This example demonstrates that the partitions and subpartitions of a composite partitioned table are imported. emp is a partitioned table with two composite partitions: P1 and P2. Partition P1 has three subpartitions: P1\_SP1, P1\_SP2, and P1\_SP3. Partition P2 has two subpartitions: P2\_SP1 and P2\_SP2.

A table-level export file was created using the following command:

```
> exp scott/tiger TABLES=emp FILE=exmpexp.dat ROWS=y
```

### Export Messages

Information is displayed about the release of Export you are using and the release of Oracle Database that you are connected to. Then, status messages similar to the following are shown:

When the command executes, the following Export messages are displayed:

```

.
.
.
About to export specified tables via Conventional Path ...
. . exporting table                EMP
. . exporting composite partition    P1
. . exporting subpartition          P1_SP1      2 rows exported
. . exporting subpartition          P1_SP2     10 rows exported
. . exporting subpartition          P1_SP3      7 rows exported
. . exporting composite partition    P2
. . exporting subpartition          P2_SP1      4 rows exported
. . exporting subpartition          P2_SP2      2 rows exported
Export terminated successfully without warnings.

```

The following Import command results in the importing of subpartition P1\_SP2 and P1\_SP3 of composite partition P1 in table emp and all subpartitions of composite partition P2 in table emp.

```
> imp scott/tiger TABLES=(emp:p1_sp2,emp:p1_sp3,emp:p2) FILE=exmpexp.dat ROWS=y
```

### Import Messages

Information is displayed about the release of Import you are using and the release of Oracle Database that you are connected to. Then, status messages similar to the following are shown:

```

.
.
.

```

```

. importing SCOTT's objects into SCOTT
. . importing subpartition          "EMP": "P1_SP2"          10 rows imported
. . importing subpartition          "EMP": "P1_SP3"          7 rows imported
. . importing subpartition          "EMP": "P2_SP1"          4 rows imported
. . importing subpartition          "EMP": "P2_SP2"          2 rows imported
Import terminated successfully without warnings.

```

### Example 3: Repartitioning a Table on a Different Column

This example assumes the emp table has two partitions based on the empno column. This example repartitions the emp table on the deptno column.

Perform the following steps to repartition a table on a different column:

1. Export the table to save the data.
2. Drop the table from the database.
3. Create the table again with the new partitions.
4. Import the table data.

The following example illustrates these steps.

```

> exp scott/tiger table=emp file=empexp.dat
.
.
.

About to export specified tables via Conventional Path ...
. . exporting table                      EMP
. . exporting partition                   EMP_LOW          4 rows exported
. . exporting partition                   EMP_HIGH         10 rows exported
Export terminated successfully without warnings.

SQL> connect scott/tiger
Connected.
SQL> drop table emp cascade constraints;
Statement processed.
SQL> create table emp
 2  (
 3  empno    number(4) not null,
 4  ename    varchar2(10),
 5  job      varchar2(9),
 6  mgr      number(4),
 7  hiredate date,
 8  sal      number(7,2),
 9  comm     number(7,2),
10  deptno   number(2)
11  )
12 partition by range (deptno)
13  (
14  partition dept_low values less than (15)
15    tablespace tbs_1,
16  partition dept_mid values less than (25)
17    tablespace tbs_2,
18  partition dept_high values less than (35)
19    tablespace tbs_3
20  );
Statement processed.
SQL> exit

> imp scott/tiger tables=emp file=empexp.dat ignore=y

```

```

.
.
.
import done in WE8DEC character set and AL16UTF16 NCHAR character set
. importing SCOTT's objects into SCOTT
. . importing partition          "EMP": "EMP_LOW"          4 rows imported
. . importing partition          "EMP": "EMP_HIGH"         10 rows imported
Import terminated successfully without warnings.

```

The following SQL SELECT statements show that the data is partitioned on the deptno column:

```

SQL> connect scott/tiger
Connected.
SQL> select empno, deptno from emp partition (dept_low);
EMPNO      DEPTNO
-----
          7782          10
          7839          10
          7934          10
3 rows selected.
SQL> select empno, deptno from emp partition (dept_mid);
EMPNO      DEPTNO
-----
          7369          20
          7566          20
          7788          20
          7876          20
          7902          20
5 rows selected.
SQL> select empno, deptno from emp partition (dept_high);
EMPNO      DEPTNO
-----
          7499          30
          7521          30
          7654          30
          7698          30
          7844          30
          7900          30
6 rows selected.
SQL> exit;

```

## Example Import Using Pattern Matching to Import Various Tables

In this example, pattern matching is used to import various tables for user scott.

### Parameter File Method

```
imp PARFILE=params.dat
```

The params.dat file contains the following information:

```

FILE=scott.dmp
IGNORE=n
GRANTS=y
ROWS=y
FROMUSER=scott
TABLES=(%d%,b%s)

```

## Command-Line Method

```
imp FROMUSER=scott FILE=scott.dmp TABLES=(%d%,b%s)
```

## Import Messages

Information is displayed about the release of Import you are using and the release of Oracle Database that you are connected to. Then, status messages similar to the following are shown:

```
.
.
.
import done in US7ASCII character set and AL16UTF16 NCHAR character set
import server uses JA16SJIS character set (possible charset conversion)
. importing SCOTT's objects into SCOTT
. . importing table          "BONUS"          0 rows imported
. . importing table          "DEPT"           4 rows imported
. . importing table          "SALGRADE"       5 rows imported
Import terminated successfully without warnings.
```

## Using Export and Import to Move a Database Between Platforms

The Export and Import utilities are the only method that Oracle supports for moving an existing Oracle database from one hardware platform to another. This includes moving between UNIX and NT systems and also moving between two NT systems running on different platforms.

The following steps present a general overview of how to move a database between platforms.

1. As a DBA user, issue the following SQL query to get the exact name of all tablespaces. You will need this information later in the process.

```
SQL> SELECT tablespace_name FROM dba_tablespaces;
```

2. As a DBA user, perform a full export from the source database, for example:

```
> exp FULL=y FILE=expdat.dmp
```

**See Also:** [Points to Consider for Full Database Exports and Imports](#) on page 20-21

3. Move the dump file to the target database server. If you use FTP, be sure to copy it in binary format (by entering `binary` at the FTP prompt) to avoid file corruption.
4. Create a database on the target server.

**See Also:** *Oracle Database Administrator's Guide* for information about how to create a database

5. Before importing the dump file, you must first create your tablespaces, using the information obtained in Step 1. Otherwise, the import will create the corresponding datafiles in the same file structure as at the source database, which may not be compatible with the file structure on the target system.
6. As a DBA user, perform a full import with the `IGNORE` parameter enabled:

```
> imp FULL=y IGNORE=y FILE=expdat.dmp
```

Using `IGNORE=y` instructs Oracle to ignore any creation errors during the import and permit the import to complete.



7. Perform a full backup of your new database.

## Warning, Error, and Completion Messages

This section describes the different types of messages issued by Export and Import and how to save them in a log file.

### Log File

You can capture all Export and Import messages in a log file, either by using the `LOG` parameter or, for those systems that permit it, by redirecting the output to a file. A log of detailed information is written about successful unloads and loads and any errors that may have occurred.

### Warning Messages

Export and Import do not terminate after recoverable errors. For example, if an error occurs while exporting a table, Export displays (or logs) an error message, skips to the next table, and continues processing. These recoverable errors are known as warnings.

Export and Import also issue warnings when invalid objects are encountered.

For example, if a nonexistent table is specified as part of a table-mode Export, the Export utility exports all other tables. Then it issues a warning and terminates successfully.

### Nonrecoverable Error Messages

Some errors are nonrecoverable and terminate the Export or Import session. These errors typically occur because of an internal problem or because a resource, such as memory, is not available or has been exhausted. For example, if the `catexp.sql` script is not executed, Export issues the following nonrecoverable error message:

```
EXP-00024: Export views not installed, please notify your DBA
```

### Completion Messages

When an export or import completes without errors, a message to that effect is displayed, for example:

```
Export terminated successfully without warnings
```

If one or more recoverable errors occurs but the job continues to completion, a message similar to the following is displayed:

```
Export terminated successfully with warnings
```

If a nonrecoverable error occurs, the job terminates immediately and displays a message stating so, for example:

```
Export terminated unsuccessfully
```

## Exit Codes for Inspection and Display

Export and Import provide the results of an operation immediately upon completion. Depending on the platform, the outcome may be reported in a process exit code and the results recorded in the log file. This enables you to check the outcome from the

command line or script. [Table 20–6](#) shows the exit codes that get returned for various results.

**Table 20–6 Exit Codes for Export and Import**

Result	Exit Code
Export terminated successfully without warnings	EX_SUCC
Import terminated successfully without warnings	
Export terminated successfully with warnings	EX_OKWARN
Import terminated successfully with warnings	
Export terminated unsuccessfully	EX_FAIL
Import terminated unsuccessfully	

For UNIX, the exit codes are as follows:

```
EX_SUCC  0
EX_OKWARN 0
EX_FAIL  1
```

## Network Considerations

This section describes factors to take into account when using Export and Import across a network.

### Transporting Export Files Across a Network

Because the export file is in binary format, use a protocol that supports binary transfers to prevent corruption of the file when you transfer it across a network. For example, use FTP or a similar file transfer protocol to transmit the file in binary mode. Transmitting export files in character mode causes errors when the file is imported.

### Exporting and Importing with Oracle Net

With Oracle Net, you can perform exports and imports over a network. For example, if you run Export locally, you can write data from a remote Oracle database into a local export file. If you run Import locally, you can read data into a remote Oracle database.

To use Export or Import with Oracle Net, include the connection qualifier string `@connect_string` when entering the username and password in the `exp` or `imp` command. For the exact syntax of this clause, see the user's guide for your Oracle Net protocol.

**See Also:**

- *Oracle Database Net Services Administrator's Guide*
- *Oracle Database Heterogeneous Connectivity Administrator's Guide*

## Character Set and Globalization Support Considerations

The following sections describe the globalization support behavior of Export and Import with respect to character set conversion of user data and data definition language (DDL).

## User Data

The Export utility always exports user data, including Unicode data, in the character sets of the Export server. (Character sets are specified at database creation.) If the character sets of the source database are different than the character sets of the import database, a single conversion is performed to automatically convert the data to the character sets of the Import server.

### Effect of Character Set Sorting Order on Conversions

If the export character set has a different sorting order than the import character set, then tables that are partitioned on character columns may yield unpredictable results. For example, consider the following table definition, which is produced on a database having an ASCII character set:

```
CREATE TABLE partlist
(
  part      VARCHAR2(10),
  partno    NUMBER(2)
)
PARTITION BY RANGE (part)
(
  PARTITION part_low VALUES LESS THAN ('Z')
    TABLESPACE tbs_1,
  PARTITION part_mid VALUES LESS THAN ('z')
    TABLESPACE tbs_2,
  PARTITION part_high VALUES LESS THAN (MAXVALUE)
    TABLESPACE tbs_3
);
```

This partitioning scheme makes sense because z comes after Z in ASCII character sets.

When this table is imported into a database based upon an EBCDIC character set, all of the rows in the `part_mid` partition will migrate to the `part_low` partition because z comes before Z in EBCDIC character sets. To obtain the desired results, the owner of `partlist` must repartition the table following the import.

**See Also:** *Oracle Database Globalization Support Guide*

## Data Definition Language (DDL)

Up to three character set conversions may be required for data definition language (DDL) during an export/import operation:

1. Export writes export files using the character set specified in the `NLS_LANG` environment variable for the user session. A character set conversion is performed if the value of `NLS_LANG` differs from the database character set.
2. If the export file's character set is different than the import user session character set, then Import converts the character set to its user session character set. Import can only perform this conversion for single-byte character sets. This means that for multibyte character sets, the import file's character set must be identical to the export file's character set.
3. A final character set conversion may be performed if the target database's character set is different from the character set used by the import user session.

To minimize data loss due to character set conversions, ensure that the export database, the export user session, the import user session, and the import database all use the same character set.

## Single-Byte Character Sets and Export and Import

Some 8-bit characters can be lost (that is, converted to 7-bit equivalents) when you import an 8-bit character set export file. This occurs if the system on which the import occurs has a native 7-bit character set, or the `NLS_LANG` operating system environment variable is set to a 7-bit character set. Most often, this is apparent when accented characters lose the accent mark.

To avoid this unwanted conversion, you can set the `NLS_LANG` operating system environment variable to be that of the export file character set.

## Multibyte Character Sets and Export and Import

During character set conversion, any characters in the export file that have no equivalent in the target character set are replaced with a default character. (The default character is defined by the target character set.) To guarantee 100% conversion, the target character set must be a superset (or equivalent) of the source character set.

**See Also:** *Oracle Database Globalization Support Guide*

---

---

**Caution:** When the character set width differs between the Export server and the Import server, truncation of data can occur if conversion causes expansion of data. If truncation occurs, Import displays a warning message.

---

---

## Materialized Views and Snapshots

---

---

**Note:** In certain situations, particularly those involving data warehousing, snapshots may be referred to as *materialized views*. This section retains the term snapshot.

---

---

The three interrelated objects in a snapshot system are the master table, optional snapshot log, and the snapshot itself. The tables (master table, snapshot log table definition, and snapshot tables) can be exported independently of one another. Snapshot logs can be exported only if you export the associated master table. You can export snapshots using full database or user-mode export; you cannot use table-mode export.

**See Also:** *Oracle Database Advanced Replication* for Import-specific information about migration and compatibility and for more information about snapshots and snapshot logs

## Snapshot Log

The snapshot log in a dump file is imported if the master table already exists for the database to which you are importing and it has a snapshot log.

When a ROWID snapshot log is exported, ROWIDs stored in the snapshot log have no meaning upon import. As a result, each ROWID snapshot's first attempt to do a fast refresh fails, generating an error indicating that a complete refresh is required.

To avoid the refresh error, do a complete refresh after importing a ROWID snapshot log. After you have done a complete refresh, subsequent fast refreshes will work properly. In contrast, when a primary key snapshot log is exported, the values of the

primary keys do retain their meaning upon import. Therefore, primary key snapshots can do a fast refresh after the import.

## Snapshots

A snapshot that has been restored from an export file has reverted to a previous state. On import, the time of the last refresh is imported as part of the snapshot table definition. The function that calculates the next refresh time is also imported.

Each refresh leaves a signature. A fast refresh uses the log entries that date from the time of that signature to bring the snapshot up to date. When the fast refresh is complete, the signature is deleted and a new signature is created. Any log entries that are not needed to refresh other snapshots are also deleted (all log entries with times before the earliest remaining signature).

### Importing a Snapshot

When you restore a snapshot from an export file, you may encounter a problem under certain circumstances.

Assume that a snapshot is refreshed at time A, exported at time B, and refreshed again at time C. Then, because of corruption or other problems, the snapshot needs to be restored by dropping the snapshot and importing it again. The newly imported version has the last refresh time recorded as time A. However, log entries needed for a fast refresh may no longer exist. If the log entries do exist (because they are needed for another snapshot that has yet to be refreshed), they are used, and the fast refresh completes successfully. Otherwise, the fast refresh fails, generating an error that says a complete refresh is required.

### Importing a Snapshot into a Different Schema

Snapshots and related items are exported with the schema name explicitly given in the DDL statements. To import them into a different schema, use the `FROMUSER` and `TOUSER` parameters. This does not apply to snapshot logs, which cannot be imported into a different schema.

## Transportable Tablespaces

The transportable tablespace feature enables you to move a set of tablespaces from one Oracle database to another.

---

---

**Note:** You cannot export transportable tablespaces and then import them into a database at a lower release level. The target database must be at the same or higher release level as the source database.

---

---

To move or copy a set of tablespaces, you must make the tablespaces read-only, copy the datafiles of these tablespaces, and use Export and Import to move the database information (metadata) stored in the data dictionary. Both the datafiles and the metadata export file must be copied to the target database. The transport of these files can be done using any facility for copying flat binary files, such as the operating system copying facility, binary-mode FTP, or publishing on CD-ROMs.

After copying the datafiles and exporting the metadata, you can optionally put the tablespaces in read/write mode.

Export and Import provide the following parameters to enable movement of transportable tablespace metadata.

- TABLESPACES
- TRANSPORT\_TABLESPACE

See [TABLESPACES](#) on page 20-27 and [TRANSPORT\\_TABLESPACE](#) on page 20-27 for more information about using these parameters during an export operation.

See [TABLESPACES](#) on page 20-39 and [TRANSPORT\\_TABLESPACE](#) on page 20-40 for information about using these parameters during an import operation.

**See Also:**

- *Oracle Database Administrator's Guide* for details about managing transportable tablespaces
- *Oracle Database Concepts* for an introduction to transportable tablespaces

## Read-Only Tablespaces

Read-only tablespaces can be exported. On import, if the tablespace does not already exist in the target database, the tablespace is created as a read/write tablespace. If you want read-only functionality, you must manually make the tablespace read-only after the import.

If the tablespace already exists in the target database and is read-only, you must make it read/write before the import.

## Dropping a Tablespace

You can drop a tablespace by redefining the objects to use different tablespaces before the import. You can then issue the `imp` command and specify `IGNORE=y`.

In many cases, you can drop a tablespace by doing a full database export, then creating a zero-block tablespace with the same name (before logging off) as the tablespace you want to drop. During import, with `IGNORE=y`, the relevant `CREATE TABLESPACE` statement will fail and prevent the creation of the unwanted tablespace.

All objects from that tablespace will be imported into their owner's default tablespace with the exception of partitioned tables, type tables, and tables that contain LOB or VARRAY columns or index-only tables with overflow segments. Import cannot determine which tablespace caused the error. Instead, you must first create a table and then import the table again, specifying `IGNORE=y`.

Objects are not imported into the default tablespace if the tablespace does not exist, or you do not have the necessary quotas for your default tablespace.

## Reorganizing Tablespaces

If a user's quota allows it, the user's tables are imported into the same tablespace from which they were exported. However, if the tablespace no longer exists or the user does not have the necessary quota, the system uses the default tablespace for that user as long as the table is unpartitioned, contains no LOB or VARRAY columns, is not a type table, and is not an index-only table with an overflow segment. This scenario can be used to move a user's tables from one tablespace to another.

For example, you need to move `joe`'s tables from tablespace A to tablespace B after a full database export. Follow these steps:

1. If `joe` has the `UNLIMITED TABLESPACE` privilege, revoke it. Set `joe`'s quota on tablespace A to zero. Also revoke all roles that might have such privileges or quotas.

When you revoke a role, it does not have a cascade effect. Therefore, users who were granted other roles by `joe` will be unaffected.

2. Export `joe`'s tables.
3. Drop `joe`'s tables from tablespace A.
4. Give `joe` a quota on tablespace B and make it the default tablespace for `joe`.
5. Import `joe`'s tables. (By default, Import puts `joe`'s tables into tablespace B.)

## Support for Fine-Grained Access Control

You can export and import tables with fine-grained access control policies enabled. When doing so, consider the following:

- To restore the fine-grained access control policies, the user who imports from an export file containing such tables must have the `EXECUTE` privilege on the `DBMS_RLS` package, so that the security policies on the tables can be reinstated. If a user without the correct privileges attempts to export a table with fine-grained access policies enabled, only those rows that the user has privileges to read will be exported.

If a user without the correct privileges attempts to import from an export file that contains tables with fine-grained access control policies, a warning message will be issued. Therefore, it is advisable for security reasons that the exporter and importer of such tables be the `DBA`.

- If fine-grained access control is enabled on a `SELECT` statement, then conventional path Export may not export the entire table, because fine-grained access may rewrite the query.
- Only user `SYS`, or a user with the `EXP_FULL_DATABASE` role enabled or who has been granted the `EXEMPT ACCESS POLICY` privilege, can perform direct path Exports on tables having fine-grained access control.

**See Also:** *Oracle Database Advanced Application Developer's Guide* for more information about fine-grained access control

## Using Instance Affinity with Export and Import

You can use instance affinity to associate jobs with instances in databases you plan to export and import. Be aware that there may be some compatibility issues if you are using a combination of releases.

**See Also:**

- *Oracle Database Administrator's Guide*
- *Oracle Database Reference*
- *Oracle Database Upgrade Guide*

## Reducing Database Fragmentation

A database with many noncontiguous, small blocks of free space is said to be fragmented. A fragmented database should be reorganized to make space available in contiguous, larger blocks. You can reduce fragmentation by performing a full database export and import as follows:

1. Do a full database export (`FULL=y`) to back up the entire database.
2. Shut down the Oracle database after all users are logged off.
3. Delete the database. See your Oracle operating system-specific documentation for information about how to delete a database.
4. Re-create the database using the `CREATE DATABASE` statement.
5. Do a full database import (`FULL=y`) to restore the entire database.

**See Also:** *Oracle Database Administrator's Guide* for more information about creating databases

## Using Storage Parameters with Export and Import

By default, a table is imported into its original tablespace.

If the tablespace no longer exists, or the user does not have sufficient quota in the tablespace, the system uses the default tablespace for that user, unless the table:

- Is partitioned
- Is a type table
- Contains LOB, VARRAY, or OPAQUE type columns
- Has an index-organized table (IOT) overflow segment

If the user does not have sufficient quota in the default tablespace, the user's tables are not imported. See [Reorganizing Tablespaces](#) on page 20-58 to see how you can use this to your advantage.

### The OPTIMAL Parameter

The storage parameter `OPTIMAL` for rollback segments is not preserved during export and import.

### Storage Parameters for OID Indexes and LOB Columns

Tables are exported with their current storage parameters. For object tables, the `OIDINDEX` is created with its current storage parameters and name, if given. For tables that contain LOB, VARRAY, or OPAQUE type columns, LOB, VARRAY, or OPAQUE type data is created with their current storage parameters.

If you alter the storage parameters of existing tables prior to export, the tables are exported using those altered storage parameters. Note, however, that storage parameters for LOB data cannot be altered prior to export (for example, chunk size for a LOB column, whether a LOB column is `CACHE` or `NOCACHE`, and so forth).

Note that LOB data might not reside in the same tablespace as the containing table. The tablespace for that data must be read/write at the time of import or the table will not be imported.

If LOB data resides in a tablespace that does not exist at the time of import, or the user does not have the necessary quota in that tablespace, the table will not be imported.



Because there can be multiple tablespace clauses, including one for the table, Import cannot determine which tablespace clause caused the error.

## Overriding Storage Parameters

Before using the Import utility to import data, you may want to create large tables with different storage parameters. If so, you must specify `IGNORE=y` on the command line or in the parameter file.

## The Export COMPRESS Parameter

By default at export time, storage parameters are adjusted to consolidate all data into its initial extent. To preserve the original size of an initial extent, you must specify at export time that extents are *not* to be consolidated (by setting `COMPRESS=n`). See [COMPRESS](#) on page 20-17.

## Information Specific to Export

The material presented in this section is specific to the original Export utility. The following topics are discussed:

- [Conventional Path Export Versus Direct Path Export](#)
- [Invoking a Direct Path Export](#)
- [Exporting from a Read-Only Database](#)
- [Considerations When Importing Database Objects](#)

## Conventional Path Export Versus Direct Path Export

Export provides two methods for exporting table data:

- Conventional path Export
- Direct path Export

Conventional path Export uses the SQL `SELECT` statement to extract data from tables. Data is read from disk into a buffer cache, and rows are transferred to the evaluating buffer. The data, after passing expression evaluation, is transferred to the Export client, which then writes the data into the export file.

Direct path Export is much faster than conventional path Export because data is read from disk into the buffer cache and rows are transferred *directly* to the Export client. The evaluating buffer (that is, the SQL command-processing layer) is bypassed. The data is already in the format that Export expects, thus avoiding unnecessary data conversion. The data is transferred to the Export client, which then writes the data into the export file.

## Invoking a Direct Path Export

To use direct path Export, specify the `DIRECT=y` parameter on the command line or in the parameter file. The default is `DIRECT=n`, which extracts the table data using the conventional path. The rest of this section discusses the following topics:

- [Security Considerations for Direct Path Exports](#)
- [Performance Considerations for Direct Path Exports](#)
- [Restrictions for Direct Path Exports](#)

---

---

**Note:** When you export a table in direct path, be sure that no other transaction is updating the same table, and that the size of the rollback segment is sufficient. Otherwise, you may receive the following error:

ORA-01555 snapshot too old; rollback segment number *string* with name "*string*" too small

This will cause the export to terminate unsuccessfully.

---

---

### Security Considerations for Direct Path Exports

Oracle Virtual Private Database (VPD) and Oracle Label Security are not enforced during direct path Exports.

The following users are exempt from Virtual Private Database and Oracle Label Security enforcement regardless of the export mode, application, or utility used to extract data from the database:

- The database user `SYS`
- Database users granted the `EXEMPT ACCESS POLICY` privilege, either directly or through a database role

This means that *any* user who is granted the `EXEMPT ACCESS POLICY` privilege is completely exempt from enforcement of VPD and Oracle Label Security. This is a powerful privilege and should be carefully managed. This privilege does not affect the enforcement of traditional object privileges such as `SELECT`, `INSERT`, `UPDATE`, and `DELETE`. These privileges are enforced even if a user has been granted the `EXEMPT ACCESS POLICY` privilege.

#### See Also:

- [Support for Fine-Grained Access Control](#) on page 20-59
- *Oracle Database Advanced Application Developer's Guide*

### Performance Considerations for Direct Path Exports

You may be able to improve performance by increasing the value of the `RECORDLENGTH` parameter when you invoke a direct path Export. Your exact performance gain depends upon the following factors:

- `DB_BLOCK_SIZE`
- The types of columns in your table
- Your I/O layout (The drive receiving the export file should be separate from the disk drive where the database files reside.)

The following values are generally recommended for `RECORDLENGTH`:

- Multiples of the file system I/O block size
- Multiples of `DB_BLOCK_SIZE`

An export file that is created using direct path Export will take the same amount of time to import as an export file created using conventional path Export.

### Restrictions for Direct Path Exports

Keep the following restrictions in mind when you are using direct path mode:

- To invoke a direct path Export, you must use either the command-line method or a parameter file. You cannot invoke a direct path Export using the interactive method.
- The Export parameter `BUFFER` applies only to conventional path Exports. For direct path Export, use the `RECORDLENGTH` parameter to specify the size of the buffer that Export uses for writing to the export file.
- You cannot use direct path when exporting in tablespace mode (`TRANSPORT_TABLESPACES=Y`).
- The `QUERY` parameter cannot be specified in a direct path Export.
- A direct path Export can only export data when the `NLS_LANG` environment variable of the session invoking the export is equal to the database character set. If `NLS_LANG` is not set or if it is different than the database character set, a warning is displayed and the export is discontinued. The default value for the `NLS_LANG` environment variable is `AMERICAN_AMERICA.US7ASCII`.

## Exporting from a Read-Only Database

To extract metadata from a source database, Export uses queries that contain ordering clauses (sort operations). For these queries to succeed, the user performing the export must be able to allocate sort segments. For these sort segments to be allocated in a read-only database, the user's temporary tablespace should be set to point at a temporary, locally managed tablespace.

**See Also:** *Oracle Data Guard Concepts and Administration* for more information about setting up this environment

## Considerations When Exporting Database Objects

The following sections describe points you should consider when you export particular database objects.

### Exporting Sequences

If transactions continue to access sequence numbers during an export, sequence numbers might be skipped. The best way to ensure that sequence numbers are not skipped is to ensure that the sequences are not accessed during the export.

Sequence numbers can be skipped only when cached sequence numbers are in use. When a cache of sequence numbers has been allocated, they are available for use in the current database. The exported value is the *next* sequence number (after the cached values). Sequence numbers that are cached, but unused, are lost when the sequence is imported.

### Exporting LONG and LOB Datatypes

On export, LONG datatypes are fetched in sections. However, enough memory must be available to hold all of the contents of each row, including the LONG data.

LONG columns can be up to 2 gigabytes in length.

All data in a LOB column does not need to be held in memory at the same time. LOB data is loaded and unloaded in sections.

---

---

**Note:** Oracle also recommends that you convert existing `LONG` columns to `LOB` columns. `LOB` columns are subject to far fewer restrictions than `LONG` columns. Further, `LOB` functionality is enhanced in every release, whereas `LONG` functionality has been static for several releases.

---

---

### **Exporting Foreign Function Libraries**

The contents of foreign function libraries are not included in the export file. Instead, only the library specification (name, location) is included in full database mode and user-mode export. You must move the library's executable files and update the library specification if the database is moved to a new location.

### **Exporting Offline Locally Managed Tablespaces**

If the data you are exporting contains offline locally managed tablespaces, Export will not be able to export the complete tablespace definition and will display an error message. You can still import the data; however, you must create the offline locally managed tablespaces before importing to prevent DDL commands that may reference the missing tablespaces from failing.

### **Exporting Directory Aliases**

Directory alias definitions are included only in a full database mode export. To move a database to a new location, the database administrator must update the directory aliases to point to the new location.

Directory aliases are not included in user-mode or table-mode export. Therefore, you must ensure that the directory alias has been created on the target system before the directory alias is used.

### **Exporting BFILE Columns and Attributes**

The export file does not hold the contents of external files referenced by `BFILE` columns or attributes. Instead, only the names and directory aliases for files are copied on Export and restored on Import. If you move the database to a location where the old directories cannot be used to access the included files, the database administrator (DBA) must move the directories containing the specified files to a new location where they can be accessed.

### **Exporting External Tables**

The contents of external tables are not included in the export file. Instead, only the table specification (name, location) is included in full database mode and user-mode export. You must manually move the external data and update the table specification if the database is moved to a new location.

### **Exporting Object Type Definitions**

In all Export modes, the Export utility includes information about object type definitions used by the tables being exported. The information, including object name, object identifier, and object geometry, is needed to verify that the object type on the target system is consistent with the object instances contained in the export file. This ensures that the object types needed by a table are created with the same object identifier at import time.

Note, however, that in table mode, user mode, and tablespace mode, the export file does not include a full object type definition needed by a table if the user running

Export does not have execute access to the object type. In this case, only enough information is written to verify that the type exists, with the same object identifier and the same geometry, on the Import target system.

The user must ensure that the proper type definitions exist on the target system, either by working with the DBA to create them, or by importing them from full database mode or user-mode exports performed by the DBA.

It is important to perform a full database mode export regularly to preserve all object type definitions. Alternatively, if object type definitions from different schemas are used, the DBA should perform a user mode export of the appropriate set of users. For example, if `table1` belonging to user `scott` contains a column on `blake`'s type `type1`, the DBA should perform a user mode export of both `blake` and `scott` to preserve the type definitions needed by the table.

### Exporting Nested Tables

Inner nested table data is exported whenever the outer containing table is exported. Although inner nested tables can be named, they cannot be exported individually.

### Exporting Advanced Queue (AQ) Tables

Queues are implemented on tables. The export and import of queues constitutes the export and import of the underlying queue tables and related dictionary tables. You can export and import queues only at queue table granularity.

When you export a queue table, both the table definition information and queue data are exported. Because the queue table data is exported as well as the table definition, the user is responsible for maintaining application-level data integrity when queue table data is imported.

**See Also:** *Oracle Streams Advanced Queuing User's Guide*

### Exporting Synonyms

You should be cautious when exporting compiled objects that reference a name used as a synonym and as another object. Exporting and importing these objects will force a recompilation that could result in changes to the object definitions.

The following example helps to illustrate this problem:

```
CREATE PUBLIC SYNONYM emp FOR scott.emp;

CONNECT blake/paper;
CREATE TRIGGER t_emp BEFORE INSERT ON emp BEGIN NULL; END;
CREATE VIEW emp AS SELECT * FROM dual;
```

If the database in the preceding example were exported, the reference to `emp` in the trigger would refer to `blake`'s view rather than to `scott`'s table. This would cause an error when Import tried to reestablish the `t_emp` trigger.

### Possible Export Errors Related to Java Synonyms

If an export operation attempts to export a synonym named `DBMS_JAVA` when there is no corresponding `DBMS_JAVA` package or when Java is either not loaded or loaded incorrectly, the export will terminate unsuccessfully. The error messages that are generated include, but are not limited to, the following: EXP-00008, ORA-00904, and ORA-29516.

If Java is enabled, make sure that both the `DBMS_JAVA` synonym and `DBMS_JAVA` package are created and valid before rerunning the export.

If Java is not enabled, remove Java-related objects before rerunning the export.

## Information Specific to Import

The material in this section is specific to the original Import utility. The following topics are discussed:

- [Error Handling During an Import Operation](#)
- [Controlling Index Creation and Maintenance](#)
- [Importing Statistics](#)
- [Tuning Considerations for Import Operations](#)
- [Considerations When Importing Database Objects](#)

## Error Handling During an Import Operation

This section describes errors that can occur when you import database objects.

### Row Errors

If a row is rejected due to an integrity constraint violation or invalid data, Import displays a warning message but continues processing the rest of the table. Some errors, such as "tablespace full," apply to all subsequent rows in the table. These errors cause Import to stop processing the current table and skip to the next table.

A "tablespace full" error can suspend the import if the `RESUMABLE=Y` parameter is specified.

**Failed Integrity Constraints** A row error is generated if a row violates one of the integrity constraints in force on your system, including:

- NOT NULL constraints
- Uniqueness constraints
- Primary key (not null and unique) constraints
- Referential integrity constraints
- Check constraints

#### See Also:

- *Oracle Database Advanced Application Developer's Guide*
- *Oracle Database Concepts*

**Invalid Data** Row errors can also occur when the column definition for a table in a database is different from the column definition in the export file. The error is caused by data that is too long to fit into a new table's columns, by invalid datatypes, or by any other `INSERT` error.

### Errors Importing Database Objects

Errors can occur for many reasons when you import database objects, as described in this section. When these errors occur, import of the current database object is discontinued. Import then attempts to continue with the next database object in the export file.

**Object Already Exists** If a database object to be imported already exists in the database, an object creation error occurs. What happens next depends on the setting of the `IGNORE` parameter.

If `IGNORE=n` (the default), the error is reported, and Import continues with the next database object. The current database object is not replaced. For tables, this behavior means that rows contained in the export file are not imported.

If `IGNORE=y`, object creation errors are not reported. The database object is not replaced. If the object is a table, rows are imported into it. Note that only *object creation errors* are ignored; all other errors (such as operating system, database, and SQL errors) *are* reported and processing may stop.

---

**Caution:** Specifying `IGNORE=y` can cause duplicate rows to be entered into a table unless one or more columns of the table are specified with the `UNIQUE` integrity constraint. This could occur, for example, if Import were run twice.

---

**Sequences** If sequence numbers need to be reset to the value in an export file as part of an import, you should drop sequences. If a sequence is not dropped before the import, it is not set to the value captured in the export file, because Import does not drop and re-create a sequence that already exists. If the sequence already exists, the export file's `CREATE SEQUENCE` statement fails and the sequence is not imported.

**Resource Errors** Resource limitations can cause objects to be skipped. When you are importing tables, for example, resource errors can occur as a result of internal problems, or when a resource such as memory has been exhausted.

If a resource error occurs while you are importing a row, Import stops processing the current table and skips to the next table. If you have specified `COMMIT=y`, Import commits the partial import of the current table. If not, a rollback of the current table occurs before Import continues. See the description of [COMMIT](#) on page 20-29.

**Domain Index Metadata** Domain indexes can have associated application-specific metadata that is imported using anonymous PL/SQL blocks. These PL/SQL blocks are executed at import time prior to the `CREATE INDEX` statement. If a PL/SQL block causes an error, the associated index is not created because the metadata is considered an integral part of the index.

## Controlling Index Creation and Maintenance

This section describes the behavior of Import with respect to index creation and maintenance.

### Delaying Index Creation

Import provides you with the capability of delaying index creation and maintenance services until after completion of the import and insertion of exported data. Performing index creation, re-creation, or maintenance after Import completes is generally faster than updating the indexes for each row inserted by Import.

Index creation can be time consuming, and therefore can be done more efficiently after the import of all other objects has completed. You can postpone creation of indexes until after the import completes by specifying `INDEXES=n`. (`INDEXES=y` is the default.) You can then store the missing index definitions in a SQL script by running

Import while using the `INDEXFILE` parameter. The index-creation statements that would otherwise be issued by Import are instead stored in the specified file.

After the import is complete, you must create the indexes, typically by using the contents of the file (specified with `INDEXFILE`) as a SQL script after specifying passwords for the connect statements.

### Index Creation and Maintenance Controls

If `SKIP_UNUSABLE_INDEXES=y`, the Import utility postpones maintenance on all indexes that were set to Index Unusable before the Import. Other indexes (not previously set to Index Unusable) continue to be updated as rows are inserted. This approach saves on index updates during the import of existing tables.

Delayed index maintenance may cause a violation of an existing unique integrity constraint supported by the index. The existence of a unique integrity constraint on a table does not prevent existence of duplicate keys in a table that was imported with `INDEXES=n`. The supporting index will be in an `UNUSABLE` state until the duplicates are removed and the index is rebuilt.

**Example of Postponing Index Maintenance** For example, assume that partitioned table `t` with partitions `p1` and `p2` exists on the import target system. Assume that local indexes `p1_ind` on partition `p1` and `p2_ind` on partition `p2` exist also. Assume that partition `p1` contains a much larger amount of data in the existing table `t`, compared with the amount of data to be inserted by the export file (`expdat.dmp`). Assume that the reverse is true for `p2`.

Consequently, performing index updates for `p1_ind` during table data insertion time is more efficient than at partition index rebuild time. The opposite is true for `p2_ind`.

Users can postpone local index maintenance for `p2_ind` during import by using the following steps:

1. Issue the following SQL statement before import:

```
ALTER TABLE t MODIFY PARTITION p2 UNUSABLE LOCAL INDEXES;
```

2. Issue the following Import command:

```
imp scott/tiger FILE=expdat.dmp TABLES = (t:p1, t:p2) IGNORE=y
SKIP_UNUSABLE_INDEXES=y
```

This example executes the `ALTER SESSION SET SKIP_UNUSABLE_INDEXES=y` statement before performing the import.

3. Issue the following SQL statement after import:

```
ALTER TABLE t MODIFY PARTITION p2 REBUILD UNUSABLE LOCAL INDEXES;
```

In this example, local index `p1_ind` on `p1` will be updated when table data is inserted into partition `p1` during import. Local index `p2_ind` on `p2` will be updated at index rebuild time, after import.

## Importing Statistics

If statistics are requested at export time and analyzer statistics are available for a table, Export will include the `ANALYZE` statement used to recalculate the statistics for the table into the dump file. In most circumstances, Export will also write the precalculated optimizer statistics for tables, indexes, and columns to the dump file. See the description of the Export parameter [STATISTICS](#) on page 20-25 and the Import parameter [STATISTICS](#) on page 20-36.



Because of the time it takes to perform an `ANALYZE` statement, it is usually preferable for Import to use the precalculated optimizer statistics for a table (and its indexes and columns) rather than execute the `ANALYZE` statement saved by Export. By default, Import will always use the precalculated statistics that are found in the export dump file.

The Export utility flags certain precalculated statistics as questionable. The importer might want to import only unquestionable statistics, not precalculated statistics, in the following situations:

- Character set translations between the dump file and the import client and the import database could potentially change collating sequences that are implicit in the precalculated statistics.
- Row errors occurred while importing the table.
- A partition level import is performed (column statistics will no longer be accurate).

---

---

**Note:** Specifying `ROWS=n` will not prevent the use of precalculated statistics. This feature allows plan generation for queries to be tuned in a nonproduction database using statistics from a production database. In these cases, the import should specify `STATISTICS=SAFE`.

---

---

In certain situations, the importer might want to always use `ANALYZE` statements rather than precalculated statistics. For example, the statistics gathered from a fragmented database may not be relevant when the data is imported in a compressed form. In these cases, the importer should specify `STATISTICS=RECALCULATE` to force the recalculation of statistics.

If you do not want any statistics to be established by Import, you should specify `STATISTICS=NONE`.

## Tuning Considerations for Import Operations

This section discusses some ways to possibly improve the performance of an import operation. The information is categorized as follows:

- [Changing System-Level Options](#)
- [Changing Initialization Parameters](#)
- [Changing Import Options](#)
- [Dealing with Large Amounts of LOB Data](#)
- [Dealing with Large Amounts of LONG Data](#)

### Changing System-Level Options

The following suggestions about system-level options may help to improve performance of an import operation:

- Create and use one large rollback segment and take all other rollback segments offline. Generally a rollback segment that is one half the size of the largest table being imported should be big enough. It can also help if the rollback segment is created with the minimum number of two extents, of equal size.

---

---

**Note:** Rollback segments will be deprecated in a future Oracle Database release. Oracle recommends that you use automatic undo management instead.

---

---

- Put the database in `NOARCHIVELOG` mode until the import is complete. This will reduce the overhead of creating and managing archive logs.
- Create several large redo files and take any small redo log files offline. This will result in fewer log switches being made.
- If possible, have the rollback segment, table data, and redo log files all on separate disks. This will reduce I/O contention and increase throughput.
- If possible, do not run any other jobs at the same time that may compete with the import operation for system resources.
- Make sure there are no statistics on dictionary tables.
- Set `TRACE_LEVEL_CLIENT=OFF` in the `sqlnet.ora` file.
- If possible, increase the value of `DB_BLOCK_SIZE` when you re-create the database. The larger the block size, the smaller the number of I/O cycles needed. *This change is permanent, so be sure to carefully consider all effects it will have before making it.*

### Changing Initialization Parameters

The following suggestions about settings in your initialization parameter file may help to improve performance of an import operation.

- Set `LOG_CHECKPOINT_INTERVAL` to a number that is larger than the size of the redo log files. This number is in operating system blocks (512 on most UNIX systems). This reduces checkpoints to a minimum (at log switching time).
- Increase the value of `SORT_AREA_SIZE`. The amount you increase it depends on other activity taking place on the system and on the amount of free memory available. (If the system begins swapping and paging, the value is probably set too high.)
- Increase the value for `DB_BLOCK_BUFFERS` and `SHARED_POOL_SIZE`.

### Changing Import Options

The following suggestions about usage of import options may help to improve performance. Be sure to also read the individual descriptions of all the available options in [Import Parameters](#) on page 20-29.

- Set `COMMIT=N`. This causes Import to commit after each object (table), not after each buffer. This is why one large rollback segment is needed. (Because rollback segments will be deprecated in future releases, Oracle recommends that you use automatic undo management instead.)
- Specify a large value for `BUFFER` or `RECORDLENGTH`, depending on system activity, database size, and so on. A larger size reduces the number of times that the export file has to be accessed for data. Several megabytes is usually enough. Be sure to check your system for excessive paging and swapping activity, which can indicate that the buffer size is too large.
- Consider setting `INDEXES=N` because indexes can be created at some point after the import, when time is not a factor. If you choose to do this, you need to use the

`INDEXFILE` parameter to extract the DLL for the index creation or to rerun the import with `INDEXES=Y` and `ROWS=N`.

### Dealing with Large Amounts of LOB Data

Keep the following in mind when you are importing large amounts of LOB data:

Eliminating indexes significantly reduces total import time. This is because LOB data requires special consideration during an import because the LOB locator has a primary key that cannot be explicitly dropped or ignored during an import.

Make sure there is enough space available in large contiguous chunks to complete the data load.

### Dealing with Large Amounts of LONG Data

Keep in mind that importing a table with a `LONG` column may cause a higher rate of I/O and disk usage, resulting in reduced performance of the import operation. There are no specific parameters that will improve performance during an import of large amounts of `LONG` data, although some of the more general tuning suggestions made in this section may help overall performance.

**See Also:** [Importing LONG Columns](#) on page 20-74

## Considerations When Importing Database Objects

The following sections describe restrictions and points you should consider when you import particular database objects.

### Importing Object Identifiers

The Oracle database assigns object identifiers to uniquely identify object types, object tables, and rows in object tables. These object identifiers are preserved by Import.

When you import a table that references a type, but a type of that name already exists in the database, Import attempts to verify that the preexisting type is, in fact, the type used by the table (rather than a different type that just happens to have the same name).

To do this, Import compares the type's unique identifier (TOID) with the identifier stored in the export file. If those match, Import then compares the type's unique hashcode with that stored in the export file. Import will not import table rows if the TOIDs or hashcodes do not match.

In some situations, you may not want this validation to occur on specified types (for example, if the types were created by a cartridge installation). You can use the parameter `TOID_NOVALIDATE` to specify types to exclude from the TOID and hashcode comparison. See [TOID\\_NOVALIDATE](#) on page 20-39 for more information.

---



---

**Caution:** Be very careful about using `TOID_NOVALIDATE`, because type validation provides an important capability that helps avoid data corruption. Be sure you are confident of your knowledge of type validation and how it works before attempting to perform an import operation with this feature disabled.

---



---

Import uses the following criteria to decide how to handle object types, object tables, and rows in object tables:

- For object types, if `IGNORE=y`, the object type already exists, and the object identifiers, hashcodes, and type descriptors match, no error is reported. If the object identifiers or hashcodes do not match and the parameter `TOID_NOVALIDATE` has not been set to ignore the object type, an error is reported and any tables using the object type are not imported.
- For object types, if `IGNORE=n` and the object type already exists, an error is reported. If the object identifiers, hashcodes, or type descriptors do not match and the parameter `TOID_NOVALIDATE` has not been set to ignore the object type, any tables using the object type are not imported.
- For object tables, if `IGNORE=y`, the table already exists, and the object identifiers, hashcodes, and type descriptors match, no error is reported. Rows are imported into the object table. Import of rows may fail if rows with the same object identifier already exist in the object table. If the object identifiers, hashcodes, or type descriptors do not match, and the parameter `TOID_NOVALIDATE` has not been set to ignore the object type, an error is reported and the table is not imported.
- For object tables, if `IGNORE=n` and the table already exists, an error is reported and the table is not imported.

Because Import preserves object identifiers of object types and object tables, consider the following when you import objects from one schema into another schema using the `FROMUSER` and `TOUSER` parameters:

- If the `FROMUSER` object types and object tables already exist on the target system, errors occur because the object identifiers of the `TOUSER` object types and object tables are already in use. The `FROMUSER` object types and object tables must be dropped from the system before the import is started.
- If an object table was created using the `OID AS` option to assign it the same object identifier as another table, both tables cannot be imported. You can import one of the tables, but the second table receives an error because the object identifier is already in use.

### Importing Existing Object Tables and Tables That Contain Object Types

Users frequently create tables before importing data to reorganize tablespace usage or to change a table's storage parameters. The tables must be created with the same definitions as were previously used or a compatible format (except for storage parameters). For object tables and tables that contain columns of object types, format compatibilities are more restrictive.

For object tables and for tables containing columns of objects, each object the table references has its name, structure, and version information written out to the export file. Export also includes object type information from different schemas, as needed.

Import verifies the existence of each object type required by a table prior to importing the table data. This verification consists of a check of the object type's name followed by a comparison of the object type's structure and version from the import system with that found in the export file.

If an object type name is found on the import system, but the structure or version do not match that from the export file, an error message is generated and the table data is not imported.

The Import parameter `TOID_NOVALIDATE` can be used to disable the verification of the object type's structure and version for specific objects.

## Importing Nested Tables

Inner nested tables are exported separately from the outer table. Therefore, situations may arise where data in an inner nested table might not be properly imported:

- Suppose a table with an inner nested table is exported and then imported without dropping the table or removing rows from the table. If the `IGNORE=Y` parameter is used, there will be a constraint violation when inserting each row in the outer table. However, data in the inner nested table may be successfully imported, resulting in duplicate rows in the inner table.
- If nonrecoverable errors occur inserting data in outer tables, the rest of the data in the outer table is skipped, but the corresponding inner table rows are not skipped. This may result in inner table rows not being referenced by any row in the outer table.
- If an insert to an inner table fails after a recoverable error, its outer table row will already have been inserted in the outer table and data will continue to be inserted in it and any other inner tables of the containing table. This circumstance results in a partial logical row.
- If nonrecoverable errors occur inserting data in an inner table, Import skips the rest of that inner table's data but does not skip the outer table or other nested tables.

You should always carefully examine the log file for errors in outer tables and inner tables. To be consistent, table data may need to be modified or deleted.

Because inner nested tables are imported separately from the outer table, attempts to access data from them while importing may produce unexpected results. For example, if an outer row is accessed before its inner rows are imported, an incomplete row may be returned to the user.

## Importing REF Data

REF columns and attributes may contain a hidden ROWID that points to the referenced type instance. Import does not automatically recompute these ROWIDs for the target database. You should execute the following statement to reset the ROWIDs to their proper values:

```
ANALYZE TABLE [schema.]table VALIDATE REF UPDATE;
```

**See Also:** *Oracle Database SQL Language Reference* for more information about the `ANALYZE TABLE` statement

## Importing BFILE Columns and Directory Aliases

Export and Import do not copy data referenced by BFILE columns and attributes from the source database to the target database. Export and Import only propagate the names of the files and the directory aliases referenced by the BFILE columns. It is the responsibility of the DBA or user to move the actual files referenced through BFILE columns and attributes.

When you import table data that contains BFILE columns, the BFILE locator is imported with the directory alias and filename that was present at export time. Import does not verify that the directory alias or file exists. If the directory alias or file does not exist, an error occurs when the user accesses the BFILE data.

For directory aliases, if the operating system directory syntax used in the export system is not valid on the import system, no error is reported at import time. The error occurs when the user seeks subsequent access to the file data. It is the responsibility of the DBA or user to ensure the directory alias is valid on the import system.

### Importing Foreign Function Libraries

Import does not verify that the location referenced by the foreign function library is correct. If the formats for directory and filenames used in the library's specification on the export file are invalid on the import system, no error is reported at import time. Subsequent usage of the callout functions will receive an error.

It is the responsibility of the DBA or user to manually move the library and ensure the library's specification is valid on the import system.

### Importing Stored Procedures, Functions, and Packages

The behavior of Import when a local stored procedure, function, or package is imported depends upon whether the `COMPILE` parameter is set to `y` or to `n`.

When a local stored procedure, function, or package is imported and `COMPILE=y`, the procedure, function, or package is recompiled upon import and retains its original timestamp specification. If the compilation is successful, it can be accessed by remote procedures without error.

If `COMPILE=n`, the procedure, function, or package is still imported, but the original timestamp is lost. The compilation takes place the next time the procedure, function, or package is used.

**See Also:** [COMPILE](#) on page 20-29

### Importing Java Objects

When you import Java objects into any schema, the Import utility leaves the resolver unchanged. (The resolver is the list of schemas used to resolve Java full names.) This means that after an import, all user classes are left in an invalid state until they are either implicitly or explicitly revalidated. An implicit revalidation occurs the first time the classes are referenced. An explicit revalidation occurs when the SQL statement `ALTER JAVA CLASS . . . RESOLVE` is used. Both methods result in the user classes being resolved successfully and becoming valid.

### Importing External Tables

Import does not verify that the location referenced by the external table is correct. If the formats for directory and filenames used in the table's specification on the export file are invalid on the import system, no error is reported at import time. Subsequent usage of the callout functions will result in an error.

It is the responsibility of the DBA or user to manually move the table and ensure the table's specification is valid on the import system.

### Importing Advanced Queue (AQ) Tables

Importing a queue table also imports any underlying queues and the related dictionary information. A queue can be imported only at the granularity level of the queue table. When a queue table is imported, export pre-table and post-table action procedures maintain the queue dictionary.

**See Also:** *Oracle Streams Advanced Queuing User's Guide*

### Importing LONG Columns

LONG columns can be up to 2 gigabytes in length. In importing and exporting, the LONG columns must fit into memory with the rest of each row's data. The memory used to store LONG columns, however, does not need to be contiguous, because LONG data is loaded in sections.

Import can be used to convert LONG columns to CLOB columns. To do this, first create a table specifying the new CLOB column. When Import is run, the LONG data is converted to CLOB format. The same technique can be used to convert LONG RAW columns to BLOB columns.

---

---

**Note:** Oracle recommends that you convert existing LONG columns to LOB columns. LOB columns are subject to far fewer restrictions than LONG columns. Further, LOB functionality is enhanced in every release, whereas LONG functionality has been static for several releases.

---

---

### Importing LOB Columns When Triggers Are Present

As of Oracle Database 10g, LOB handling has been improved to ensure that triggers work properly and that performance remains high when LOBs are being loaded. To achieve these improvements, the Import utility automatically changes all LOBs that were empty at export time to be NULL after they are imported.

If you have applications that expect the LOBs to be empty rather than NULL, then after the import you can issue a SQL UPDATE statement for each LOB column. Depending on whether the LOB column type was a BLOB or a CLOB, the syntax would be one of the following:

```
UPDATE <tablename> SET <lob column> = EMPTY_BLOB() WHERE <lob column> = IS NULL;
UPDATE <tablename> SET <lob column> = EMPTY_CLOB() WHERE <lob column> = IS NULL;
```

It is important to note that once the import is performed, there is no way to distinguish between LOB columns that are NULL versus those that are empty. Therefore, if that information is important to the integrity of your data, be sure you know which LOB columns are NULL and which are empty before you perform the import.

### Importing Views

Views are exported in dependency order. In some cases, Export must determine the ordering, rather than obtaining the order from the database. In doing so, Export may not always be able to duplicate the correct ordering, resulting in compilation warnings when a view is imported, and the failure to import column comments on such views.

In particular, if *viewa* uses the stored procedure *procb*, and *procb* uses the view *viewc*, Export cannot determine the proper ordering of *viewa* and *viewc*. If *viewa* is exported before *viewc* and *procb* already exists on the import system, *viewa* receives compilation warnings at import time.

Grants on views are imported even if a view has compilation errors. A view could have compilation errors if an object it depends on, such as a table, procedure, or another view, does not exist when the view is created. If a base table does not exist, the server cannot validate that the grantor has the proper privileges on the base table with the GRANT OPTION. Access violations could occur when the view is used if the grantor does not have the proper privileges after the missing tables are created.

Importing views that contain references to tables in other schemas requires that the importer have SELECT ANY TABLE privilege. If the importer has not been granted this privilege, the views will be imported in an uncompiled state. Note that granting the privilege to a role is insufficient. For the view to be compiled, the privilege must be granted directly to the importer.

### Importing Partitioned Tables

Import attempts to create a partitioned table with the same partition or subpartition names as the exported partitioned table, including names of the form `SYS_Pnnn`. If a table with the same name already exists, Import processing depends on the value of the `IGNORE` parameter.

Unless `SKIP_UNUSABLE_INDEXES=y`, inserting the exported data into the target table fails if Import cannot update a nonpartitioned index or index partition that is marked `Indexes Unusable` or is otherwise not suitable.

## Using Export and Import to Partition a Database Migration

When you use the Export and Import utilities to migrate a large database, it may be more efficient to partition the migration into multiple export and import jobs. If you decide to partition the migration, be aware of the following advantages and disadvantages.

### Advantages of Partitioning a Migration

Partitioning a migration has the following advantages:

- Time required for the migration may be reduced, because many of the subjobs can be run in parallel.
- The import can start as soon as the first export subjob completes, rather than waiting for the entire export to complete.

### Disadvantages of Partitioning a Migration

Partitioning a migration has the following disadvantages:

- The export and import processes become more complex.
- Support of cross-schema references for certain types of objects may be compromised. For example, if a schema contains a table with a foreign key constraint against a table in a different schema, you may not have the required parent records when you import the table into the dependent schema.

## How to Use Export and Import to Partition a Database Migration

To perform a database migration in a partitioned manner, take the following steps:

1. For all top-level metadata in the database, issue the following commands:
  - a. `exp FILE=full FULL=y CONSTRAINTS=n TRIGGERS=n ROWS=n INDEXES=n`
  - b. `imp FILE=full FULL=y`
2. For each schema *n* in the database, issue the following commands:
  - a. `exp OWNER=scheman FILE=scheman`
  - b. `imp FILE=scheman FROMUSER=scheman TOUSER=scheman IGNORE=y`

All exports can be done in parallel. When the import of `full.dmp` completes, all remaining imports can also be done in parallel.



## Using Different Releases and Versions of Export

This section describes compatibility issues that relate to using different releases of Export and the Oracle database.

Whenever you are moving data between different releases of the Oracle database, the following basic rules apply:

- The Import utility and the database to which data is being imported (the target database) must be the same version. For example, if you try to use the Import utility 9.2.0.7 to import into a 9.2.0.8 database, you may encounter errors.
- The version of the Export utility must be equal to the earliest version of the source or target database.

For example, to create an export file for an import into a later release database, use a version of the Export utility that is equal to the source database. Conversely, to create an export file for an import into an earlier release database, use a version of the Export utility that is equal to the version of the target database.

- In general, you can use the Export utility from any Oracle8 release to export from an Oracle9i server and create an Oracle8 export file. See [Creating Oracle Release 8.0 Export Files from an Oracle9i Database](#) on page 20-78.

## Restrictions When Using Different Releases and Versions of Export and Import

The following restrictions apply when you are using different releases of Export and Import:

- Export dump files can be read only by the Import utility because they are stored in a special binary format.
- Any export dump file can be imported into a later release of the Oracle database.
- The Import utility cannot read export dump files created by the Export utility of a later maintenance release or version. For example, a release 9.2 export dump file cannot be imported by a release 9.0.1 Import utility.
- Whenever a lower version of the Export utility runs with a later version of the Oracle database, categories of database objects that did not exist in the earlier version are excluded from the export.
- Export files generated by Oracle9i Export, either direct path or conventional path, are incompatible with earlier releases of Import and can be imported only with Oracle9i Import. When backward compatibility is an issue, use the earlier release or version of the Export utility against the Oracle9i database.

## Examples of Using Different Releases of Export and Import

[Table 20–7](#) shows some examples of which Export and Import releases to use when moving data between different releases of the Oracle database.

**Table 20–7 Using Different Releases of Export and Import**

Export from->Import to	Use Export Release	Use Import Release
8.1.6 -> 8.1.6	8.1.6	8.1.6
8.1.5 -> 8.0.6	8.0.6	8.0.6
8.1.7 -> 8.1.6	8.1.6	8.1.6
9.0.1 -> 8.1.6	8.1.6	8.1.6

**Table 20–7 (Cont.) Using Different Releases of Export and Import**

<b>Export from-&gt;Import to</b>	<b>Use Export Release</b>	<b>Use Import Release</b>
9.0.1 -> 9.0.2	9.0.1	9.0.2
9.0.2 -> 10.1.0	9.0.2	10.1.0
10.1.0 -> 9.0.2	9.0.2	9.0.2

## Creating Oracle Release 8.0 Export Files from an Oracle9i Database

You do not need to take any special steps to create an Oracle release 8.0 export file from an Oracle9i database. However, the following features are not supported when you use Export release 8.0 on an Oracle9i database:

- Export does not export rows from tables containing objects and LOBs when you have specified a direct path load (`DIRECT=y`).
- Export does not export dimensions.
- Function-based indexes and domain indexes are not exported.
- Secondary objects (tables, indexes, sequences, and so on, created in support of a domain index) are not exported.
- Views, procedures, functions, packages, type bodies, and types containing references to new Oracle9i features may not compile.
- Objects whose DDL is implemented as a stored procedure rather than SQL are not exported.
- Triggers whose action is a `CALL` statement are not exported.
- Tables containing logical `ROWID` columns, primary key refs, or user-defined `OID` columns are not exported.
- Temporary tables are not exported.
- Index-organized tables (IOTs) revert to an uncompressed state.
- Partitioned IOTs lose their partitioning information.
- Index types and operators are not exported.
- Bitmapped, temporary, and `UNDO` tablespaces are not exported.
- Java sources, classes, and resources are not exported.
- Varying-width `CLOBs`, collection enhancements, and `LOB-storage` clauses for `VARRAY` columns or nested table enhancements are not exported.
- Fine-grained access control policies are not preserved.
- External tables are not exported.

---

---

# Enterprise Manager Configuration Assistant (EMCA)

This chapter describes the Enterprise Manager Configuration Assistant (EMCA). Specifically, this chapter includes the following topics:

- [Configuring Database Control with EMCA](#)
- [Configuring Software Library With EMCA](#)
- [Using an Input File for EMCA Parameters](#)
- [Using EMCA With Oracle Real Application Clusters](#)
- [Specifying the Ports Used by EMCA](#)
- [EMCA Troubleshooting Tips](#)

**See Also:** *Oracle Enterprise Manager Advanced Configuration* for information about other advanced configuration topics.

## Configuring Database Control with EMCA

When you use the Database Configuration Assistant (DBCA) to configure Oracle Database 11g, DBCA provides a graphical user interface to help you select Database Control options and to configure other aspects of your database.

However, if you want to use the operating system command line to configure Database Control, you can use the Enterprise Manager Configuration Assistant (EMCA).

To configure Database Control with EMCA:

1. Set the following environment variables to identify the Oracle home and the system identifier (SID) for the database you want to manage:
  - ORACLE\_HOME
  - ORACLE\_SID
2. Change directory to the ORACLE\_HOME/bin directory.
3. Start EMCA by entering the following command with any of the optional command-line arguments shown in [Table 21-1](#):

```
$PROMPT> ./emca
```

Depending upon the arguments you include on the EMCA command line, EMCA prompts you for the information required to configure Database Control.

For example, enter the following command to configure Database Control so it will perform automatic daily backups of your database:

```
$PROMPT> ./emca -config dbcontrol db -backup
```

EMCA commands are of the form:

```
emca [operation] [mode] [flags] [parameters]
```

---



---

**Note:** To configure Database Console for single instance database using ASM, no extra parameters need to be passed along with the EMCA command. Run the following command to configure the Database Console which will automatically detect the ASM instance:

```
emca -config dbcontrol db -repos create
```

---



---

**Note:** The Database Control repository is in secure mode, which means that Enterprise Manager data is encrypted. The file location of the encryption key depends upon the type of database, as follows:

- For single instance databases:  
ORACLE\_HOME/<host>\_<sid>/emkey.ora
- For Oracle RAC databases:  
ORACLE\_HOME/<node>\_<sid>/emkey.ora

Oracle strongly recommends that you ensure this file is backed up because the encrypted data will become unusable if this file is lost.

---



---

Table 21-1 describes the valid execution operations and modes, and lists the optional parameters in brackets. Table 21-2 discusses the flags and their behavior, while Table 21-3 defines the optional parameters in detail. EMCA parameters are of the form [ -parameterName parameterValue ]. Multiple parameters can be used in combination at the command line.

**Table 21-1 EMCA Command-Line Operations**

Command	Description
emca -h   --h   -help   --help	Use this option to display the Help message for the EMCA utility. The options described in Table 21-1, Table 21-2, and Table 21-3, and the valid parameters you may include are listed.
emca --version	Prints the version information associated with EMCA.
emca -config dbcontrol db [-repos (create   recreate)] [-cluster] [-silent] [-backup] [parameters]	Configures Database Control for a database. Options include creating (or recreating) Database Control repository, configuring automatic backups, and performing these operations on a cluster database.

**Table 21–1 (Cont.) EMCA Command-Line Operations**

Command	Description
emca -config centralAgent (db   asm) [-cluster] [-silent] [parameters]	Configures central agent management for a database or an Automatic Storage Management (ASM) instance. Options include performing this operation on a cluster environment. This operation will configure the database so that it can be centrally managed by the Oracle Enterprise Manager Grid Control Console. To use this option, you must have previously installed the Oracle Management Service component of Enterprise Manager on a network host. In addition, the Oracle Management Agent must be installed on the host where you are running the database.
emca -config all db [-repos (create   recreate)] [-cluster] [-silent] [-backup] [parameters]	Configures both Database Control and central agent management for a database. The possible configuration options are similar to those described above.
emca -deconfig dbcontrol db [-repos drop] [-cluster] [-silent] [parameters]	Deconfigures Database Control for a database. Options include dropping the Database Control repository and performing these operations on a cluster database. For example, you might use this command to remove the Database Control configuration from a database you are planning to delete. In such a scenario, remove the Database Control configuration before physically deleting the database. This operation does not remove the actual database or its data files.
emca -deconfig centralAgent (db   asm) [-cluster] [-silent] [parameters]	Deconfigures central agent management for a database or an ASM instance. Options include performing this operation on a cluster environment. For example, you might use this command to remove the central agent management configuration from a database you are planning to delete. In such a scenario, remove the central agent management configuration before physically deleting the database. This operation does not remove the actual database or its data files.
emca -deconfig all db [-repos drop] [-cluster] [-silent] [parameters]	Deconfigures both Database Control and central agent management for a database. The possible deconfiguration options are similar to those described above.
emca -addInst (db   asm) [-silent] [parameters]	Configures Enterprise Manager for a new cluster instance of a database or ASM storage. For more information, refer to <a href="#">Using EMCA With Oracle Real Application Clusters</a> on page 21-7.
emca -deleteInst (db   asm) [-silent] [parameters]	Deconfigures Enterprise Manager for a specific instance of a cluster database or ASM storage. This is discussed further below, in <a href="#">Using EMCA With Oracle Real Application Clusters</a> on page 21-7.
emca -reconfig ports [-cluster] [parameters]	Explicitly reassigns Database Control ports. Options include performing this operation on a cluster environment. For more information, refer to <a href="#">Specifying the Ports Used by EMCA</a> on page 21-9.
emca -reconfig dbcontrol -cluster [-silent] [parameters]	Reconfigures Database Control deployment for a cluster database. Note that this command must be used with the "-cluster" option. For more information, refer to <a href="#">Using EMCA With Oracle Real Application Clusters</a> on page 21-7.
emca -displayConfig dbcontrol -cluster [-silent] [parameters]	Displays information about the current deployment configuration of Database Control in a cluster environment. Note that this command must be used with the "-cluster" option. For more information, refer to <a href="#">Using EMCA With Oracle Real Application Clusters</a> on page 21-7.

**Table 21–1 (Cont.) EMCA Command-Line Operations**

Command	Description
emca -upgrade (db   asm   db_asm) [-cluster] [-silent] [parameters]	Upgrades the configuration of an earlier version of Enterprise Manager to the current version. This operation can be performed for database, ASM, or database and ASM instances together simultaneously. This does not upgrade the actual database or ASM instances, nor does it upgrade the Enterprise Manager software. Instead, it upgrades the configuration files for the specified instance so that they are compatible with the current version of the Enterprise Manager software. EMCA will attempt to upgrade all instances of the specified database and/or ASM target on the host, across all Oracle Homes (since it is likely that certain target properties, such as listener port or Oracle Home, have changed).
emca -restore (db   asm   db_asm) [-cluster] [-silent] [parameters]	Restores the current version of Enterprise Manager configuration to an earlier version. This is the inverse of the "-upgrade" option (and will reverse any changes that result from an "-upgrade" operation), and as such, the options are similar.
emca -migrate -from dbcontrol -to centralAgent [-repos drop] [-cluster] [-silent] [parameters]	Migrates the Enterprise Manager configuration from Database Control to Central Agent.

**Table 21–2 EMCA Command-Line Flags**

Flag	Description
db	Performs the operation for a database (including cluster databases). Use this option for databases that use Automatic Storage Management (ASM) to store the data files. If a database is using ASM, all the configuration operations and modes described above (except for "-upgrade" and "-restore") will detect this automatically and apply the changes to both the database and ASM instance(s).
asm	Performs the operation for an ASM-only instance (including cluster ASM instances).
db_asm	This flag can only be used in "-upgrade" and "-restore" mode. Performs the upgrade/restore operation for a database and an ASM instance together. Database and ASM instances may be upgraded or restored separately (that is, upgrading an ASM instance does not require upgrading the database instances it services). Hence, the Enterprise Manager configuration can be upgraded or restored separately for a database and its respective ASM instance.
-repos create	Creates a new Database Control management repository.
-repos drop	Drops the current Database Control management repository.
-repos recreate	Drops the current Database Control management repository and then recreates a new one.
-cluster	Performs the operation for a cluster database or ASM instance.
-silent	Performs the operation without prompting for additional information. If this mode is specified, all the required parameters must be entered at the command line or specified in an input file using the <code>-respFile</code> argument. You can view a list of the available parameters by entering <code>emca -help</code> at the command line.

**Table 21–2 (Cont.) EMCA Command-Line Flags**

Flag	Description
-backup	Configures automatic backup for a database. EMCA will prompt for daily automatic backup options. The default Enterprise Manager settings will be used to backup the database files.  Note: If you use this option, EMCA will use the value of the db_recovery_file_dest initialization parameter to identify the flashback recovery area for the automated backups. If that parameter is not set, EMCA will generate an error. You can modify these settings later using the Maintenance page in Database Control. For more information, see the Database Control online Help.

**Table 21–3 EMCA Command-Line Parameters**

Parameter	Description
-respFile	Specifies the path of an input file listing parameters for EMCA to use while performing its configuration operation. For more information, refer to <a href="#">Using an Input File for EMCA Parameters</a> on page 21-6.
-SID	Database system identifier
-PORT	Port number for the listener servicing the database
-ORACLE_HOME	Database Oracle Home, as an absolute path
-ORACLE_HOSTNAME	Local Hostname
-LISTENER_OH	Oracle Home from where the listener is running. If the listener is running from an Oracle Home other than the one on which the database is running, the parameter LISTENER_OH must be specified.
-HOST_USER	Host machine user name (for automatic backup)
-HOST_USER_PWD	Host machine user password (for automatic backup)
-BACKUP_SCHEDULE	Schedule in the form of "HH:MM" (for daily automatic backups)
-EMAIL_ADDRESS	E-mail address for notifications
-MAIL_SERVER_NAME	Outgoing Mail (SMTP) server for notifications
-ASM_OH	Automatic Storage Management Oracle Home
-ASM_SID	System identifier for ASM instance
-ASM_PORT	Port number for the listener servicing the ASM instance
-ASM_USER_ROLE	User role for connecting to the ASM instance
-ASM_USER_NAME	User name for connecting to the ASM instance
-ASM_USER_PWD	Password for connecting to the ASM instance
-DBSNMP_PWD	Password for DBSNMP user
-SYSMAN_PWD	Password for SYSMAN user
-SYS_PWD	Password for SYS user
-SRC_OH	Oracle Home of the database with Enterprise Manager configuration to be upgraded/restored
-DBCCONTROL_HTTP_PORT	Use this parameter to specify the port you use to display the Database Control Console in your Web browser. For more information, refer to <a href="#">Specifying the Ports Used by EMCA</a> on page 21-9.

**Table 21-3 (Cont.) EMCA Command-Line Parameters**

Parameter	Description
-AGENT_PORT	Use this parameter to specify the Management Agent port for Database Control. For more information, refer to <a href="#">Specifying the Ports Used by EMCA</a> on page 21-9.
-RMI_PORT	Use this parameter to specify the RMI port for Database Control. For more information, refer to <a href="#">Specifying the Ports Used by EMCA</a> on page 21-9.
-JMS_PORT	Use this parameter to specify the JMS port for Database Control. For more information, refer to <a href="#">Specifying the Ports Used by EMCA</a> on page 21-9.
-CLUSTER_NAME	Cluster name (for cluster databases)
-DB_UNIQUE_NAME	Database unique name (for cluster databases)
-SERVICE_NAME	Database service name (for cluster databases)
-EM_NODE	Node from which Database Control console is to be run (for cluster databases). For more information, refer to <a href="#">Using EMCA With Oracle Real Application Clusters</a> on page 21-7.
-EM_SID_LIST	Comma-separated list of SIDs for agent-only configurations, uploading data to -EM_NODE. For more information, refer to <a href="#">Using EMCA With Oracle Real Application Clusters</a> on page 21-7.
-EM_SWLIB_STAGE_LOC	Software library location
-PORTS_FILE	Path to a static file specifying the ports to use. The default value is: <code>\${ORACLE_HOME}/install/staticports.ini</code>

## Configuring Software Library With EMCA

As part of Database Control configuration, the software library will be configured and provisioning archives will be deployed. By default, the software library will be configured at the following location:

```
ORACLE_HOME/EMStagePatches_<db_unique_name>
```

You can also use the EMCA `EM_SWLIB_STAGE_LOC` command-line parameter to configure the software library after you have installed and configured Oracle Database 11g.

For Oracle Real Application Clusters (RAC), the software library will be configured and provisioning archives will be deployed only if `ORACLE_HOME` or the software library location passed to the `EM_SWLIB_STAGE_LOC` parameter is in shared storage.

## Using an Input File for EMCA Parameters

Instead of answering a series of prompts when you run EMCA, you can use the `-respFile` argument to specify an input file. The input file you create must be in a format similar to the following example:

```
PORT=1521
SID=DB
DBSNMP_PWD=xpE234D
SYSMAN_PWD=KD0dk432
```

After you create an EMCA input file, you can use it on the command line as follows:

```
$PROMPT> ./emca -config dbcontrol db -respFile input_file_path
```



For example, to configure the Database Control to perform daily backups and create the Database Control Management Repository, create an input file similar to the one shown in [Example 21-1](#) and enter the following command at the operating system prompt:

```
$PROMPT> ./emca -config dbcontrol db -repos create -backup -respFile input_file_
path
```

**Example 21-1 Sample EMCA Input File**

```
PORT=1521
SID=DB
DBSNMP_PWD=dow31224
SYSMAN_PWD=squN3243
HOST_USER=johnson
HOST_USER_PWD=diTf32of
SYS_PWD=q1Kj4352
BACKUP_SCHEDULE=06:30
```

## Using EMCA With Oracle Real Application Clusters

Oracle Real Application Clusters (RAC) provides a high availability database environment spanning multiple hosts. Each cluster may be made up of multiple cluster databases, each of which consists of multiple cluster database instances. A cluster database is available as long as one of its instances is available.

All EMCA commands can be used in Oracle RAC environments; certain commands are only applicable in cluster setups. To indicate that you have a cluster database, use the `-cluster` flag which is available in almost every EMCA operational mode.

When you use EMCA to configure Database Control for Oracle RAC, you configure the Database Control for each instance in the cluster. However, by default, the Database Control Console will only start on the local node. On every other node of the cluster, only the Enterprise Manager agent will start. This is because the Database Control Console opens a number of connections to the database. If an instance of the console is running on every host in the cluster, then you may easily exceed the maximum number of permitted open connections on a 32-node or 64-node environment.

To remedy this, the Database Control Console is only started on the local node. On every other node, the commands `emctl start dbconsole` and `emctl stop dbconsole` only start and stop the agent. Each of the remote agents will upload their respective data to the console running on the local node, from where you can monitor and manage all the targets in the cluster. On each instance of the RAC database, the following subdirectories will be created:

```
$ORACLE_HOME/hostname1.domainname_SID1
$ORACLE_HOME/hostname2.domainname_SID2
.
.
$ORACLE_HOME/hostnamen.domainname_SIDn
```

where `<SID1>...<SIDn>` are database system identifiers.

However, note that if you upgrade an Oracle 10g Release 2 Oracle RAC database configured with Database Control to Oracle 11g Release 1, the 10g Release 2 Database Control configuration will be retained. Database Control for Oracle 10g Release 2 has a Database Console running on each Oracle RAC node. The console is still started on

each individual node. If you want to modify this configuration, then use the following command:

```
emca -reconfig dbcontrol -cluster -EM_NODE <nodename> -EM_SID_LIST <SID list>
```

where <nodename> is the public name of the node and <SID list> is a comma-separated list of database system identifiers. This command reconfigures the current Database Control setup and:

1. Starts a Database Control Console on <nodename>, if one has not been started yet.
2. Redirects the agents monitoring the database instances in <SID list> so that they upload their data to the console running on <nodename>. Also, agents monitoring database instances on <nodename> will also upload their data to the local console. Note that if you do not pass -EM\_NODE or -EM\_SID\_LIST at the command line, you will be prompted for them.

-EM\_NODE defaults to the local node if not specified when prompted. -EM\_SID\_LIST defaults to all database instances if not specified.

You may use this command to start the console on more than one node. For instance, on an 8-node cluster with <node1, node2, node3, node4, node5, node6, node7, node8> and database instances <oradb1, oradb2, oradb3, oradb4, oradb5, oradb6, oradb7, oradb8>, you can run the following commands in succession:

```
$PROMPT> emca -reconfig dbcontrol -cluster -EM_NODE node1 -EM_SID_LIST  
oradb2,oradb3,oradb4  
$PROMPT> emca -reconfig dbcontrol -cluster -EM_NODE node5 -EM_SID_LIST  
oradb6,oradb7,oradb8
```

In this scenario, there will be two Database Control consoles running, one on node1 and the other on node5. From either of these consoles, you can manage and monitor all targets in the cluster.

For information on the current cluster configuration, you can run:

```
emca -displayConfig dbcontrol -cluster
```

The above command prompts for the database unique name for the cluster database. This will print the current configuration onto the screen, indicating the nodes that have consoles running on them and the consoles where each agent is uploading.

For configuring Enterprise Manager for a new cluster instance of a database or ASM storage, use the following command:

```
emca -addInst db
```

On cluster databases, another common operation is the creation and deletion of database instances. After you create a new instance, you can run EMCA to configure Database Control or central agent management for that instance using the command `emca -addInst db`. Running EMCA does not create the actual database instance; it only configures Enterprise Manager so that you can manage the instance in a way consistent with the rest of the cluster database instances. When configuring Enterprise Manager for a new instance, run the EMCA command only after you have created the instance. Also, run the command from a node in the cluster that already has Enterprise Manager configured for its associated database instance, as these configuration settings will be propagated to the new instance. Do not run this command from the node on which the new instance was created. Note that this option can be used only in an Oracle RAC environment, so you do not need to use the -cluster option on the command line. After running the command `emca -addInst db`, enter the following information for the node and database:

```
Node name: node2
Database Unique Name: EM102
Database SID: EM1022
```

To deconfigure Enterprise Manager for a specific database instance (typically before the database instance is deleted), use the inverse command, `emca -deleteInst db`. Running EMCA does not delete the database instance; it only removes the Enterprise Manager configuration so that you will no longer be able to manage the instance with Enterprise Manager. Ensure that you run the EMCA command before you delete the actual cluster database instance. Also, ensure that you run the command from a different node and not from the node on which the database instance will be deleted. Note that this option can be used only in an Oracle RAC environment, so you do not need to use the `-cluster` option on the command line.

For more information, see [Table 21–1](#) which describes EMCA command-line operations.

---



---

**Caution:** If you use `emca -c` to configure the Database Control for Oracle RAC, check `TNS_ADMIN` on all cluster nodes. If different `TNS_ADMIN` are set for each node, the listener for the target cannot be configured correctly. If so, set the same `TNS_ADMIN` on all cluster nodes before executing the `emca -c` command.

---



---

## Specifying the Ports Used by EMCA

When you initially install Oracle Database 11g or configure the Database Control with EMCA, the Database Control uses a set of default system ports. For example, by default, you access Database Control using port 1158 in 11g Release 1, as in:

```
http://host.domain:1158/em
```

This is the default port assigned to Database Control by the Internet Assigned Numbers Authority (IANA). Likewise, the default Database Control Agent port, as assigned by the IANA, is 3938.

To use ports other than the default ports, use the following EMCA command-line arguments when you initially configure the Database Control with EMCA. Alternatively, you can explicitly assign ports after configuring Database Control using the following command:

```
emca -reconfig ports [-cluster]
```

---



---

**Note:** You can also use the following EMCA command-line arguments to configure Database Control after you have installed and configured Oracle Database 11g.

---



---

The following list summarizes the EMCA command-line arguments that control the standard Database Control port assignments:

- `-DBCONTROL_HTTP_PORT <port_number>`

This port number is used in the Database Control Console URL. For example, if you set this port to 5570, you can then display the Database Control Console using the following URL:

```
http://host.domain:5570/em
```

- `-RMI_PORT <port_number>`

This port number is used by the Remote Method Invocation (RMI) system, which is part of the J2EE software required by Database Control. The default port can be changed if the user wants to configure a specific port for Database Console. When a port other than the default port (1521) is used, use the `-RMI_PORT` or `-JMS_PORT` options along with the `emca reconfig` command.
- `-JMS_PORT <port_number>`

This port is used by the OC4J Java Message Service (JMS), which is part of the J2EE software required by Database Control. The default port can be changed if the user wants to configure a specific port for Database Console. When a port other than the default port (1521) is used, use the `-RMI_PORT` or `-JMS_PORT` options along with the `emca reconfig` command.
- `-AGENT_PORT <port_number>`

This port is used by the Database Control Management Agent, which is monitoring and administering the database for the Database Control.

## EMCA Troubleshooting Tips

The following section describes some troubleshooting tips to consider when using EMCA to configure the Database Control:

- [Using EMCA After Changing the Database Listener Port](#)
- [Upgrading Database or ASM Instances With 11g Release 1 Grid Control Agents](#)
- [Using EMCA When Database Host Name or IP Address Changes](#)
- [Using EMCA When the TNS Configuration Is Changed](#)

### Using EMCA After Changing the Database Listener Port

If you change the listener port of the database after you have configured Database Control, the database status will appear as down. To reconfigure Database Control so it uses the new listener port, run the EMCA command using the `-config dbcontrol db [-cluster]` command-line arguments.

### Upgrading Database or ASM Instances With 11g Release 1 Grid Control Agents

When upgrading a 10g Release 2 database and/or ASM instance that was configured for Oracle Enterprise Manager (either Database Control or a Grid Control central agent) to 11g Release 1, all Enterprise Manager targets on the relevant host(s) referring to the upgraded instance(s) will be updated automatically. This is because the upgrade involves altering the instance's Oracle Home, port, or other target-associated properties. However, some of these targets on the host(s) will not be updated successfully during the upgrade if they are managed by an 11g Release 1 Grid Control Agent. To update these targets, in the Home page for the upgraded database (or ASM) target, click the "Monitoring Configuration" link. On this page, you can update the required properties such as Oracle Home, listener port and so on to the correct values.

### Using EMCA When Database Host Name or IP Address Changes

When the database host name (including the domain name) or the IP address changes, deconfigure and then reconfigure the Database Console with the repository create command. Run the following command:

```
emca -deconfig dbcontrol db -repos drop  
emca -config dbcontrol db -repos create
```

or

```
emca -deconfig dbcontrol db  
emca -config dbcontrol db -repos recreate
```

## Using EMCA When the TNS Configuration Is Changed

When the TNS configuration is changed, set the environment variable and then run the following command:

```
emca -config dbcontrol db
```



# Part V

---

## Appendixes

This section contains the following appendix:

[Appendix A, "SQL\\*Loader Syntax Diagrams"](#)

This appendix provides diagrams of the SQL\*Loader syntax.





---

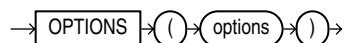
---

## SQL\*Loader Syntax Diagrams

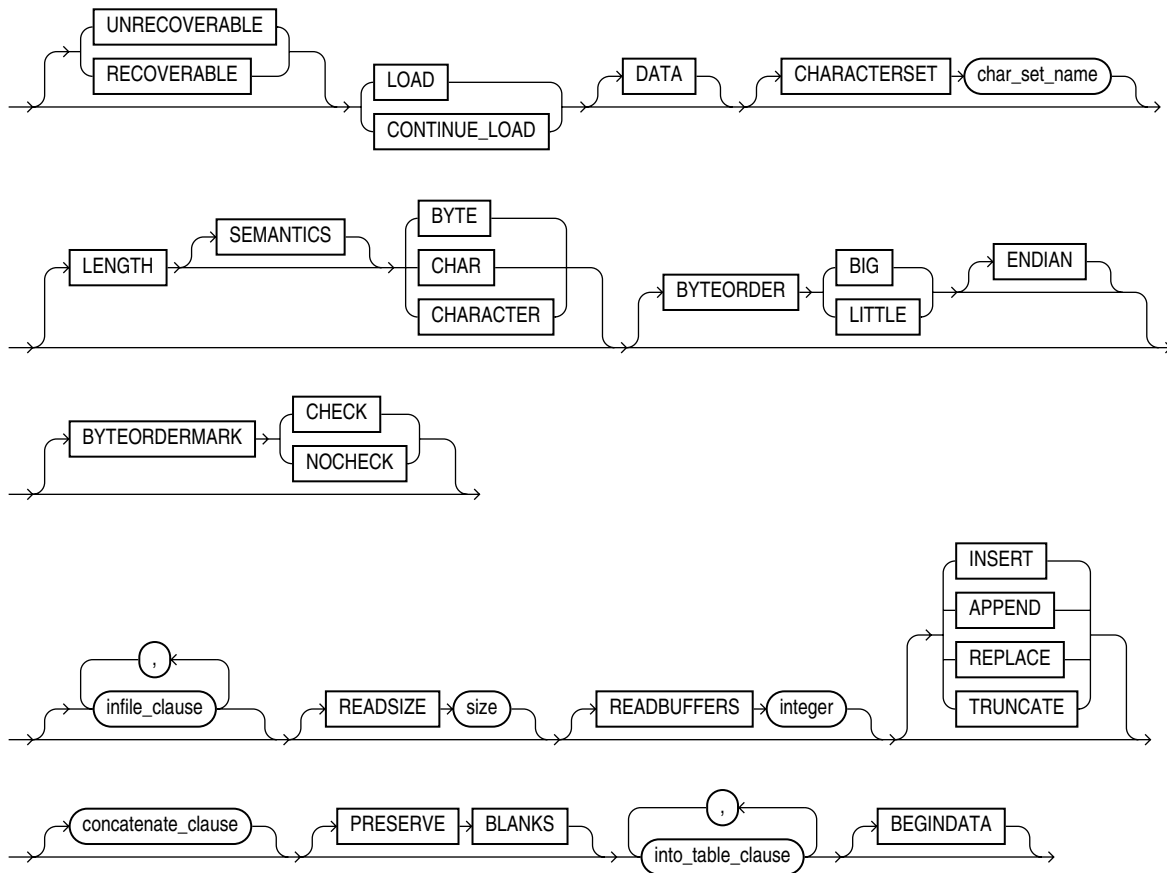
This appendix provides descriptions of SQL\*Loader syntax in graphic form (sometimes called railroad diagrams or DDL diagrams). For information about the syntax notation used, see the *Oracle Database SQL Language Reference*.

The following diagrams are shown with certain clauses collapsed (such as `pos_spec`). These diagrams are expanded and explained further along in the appendix.

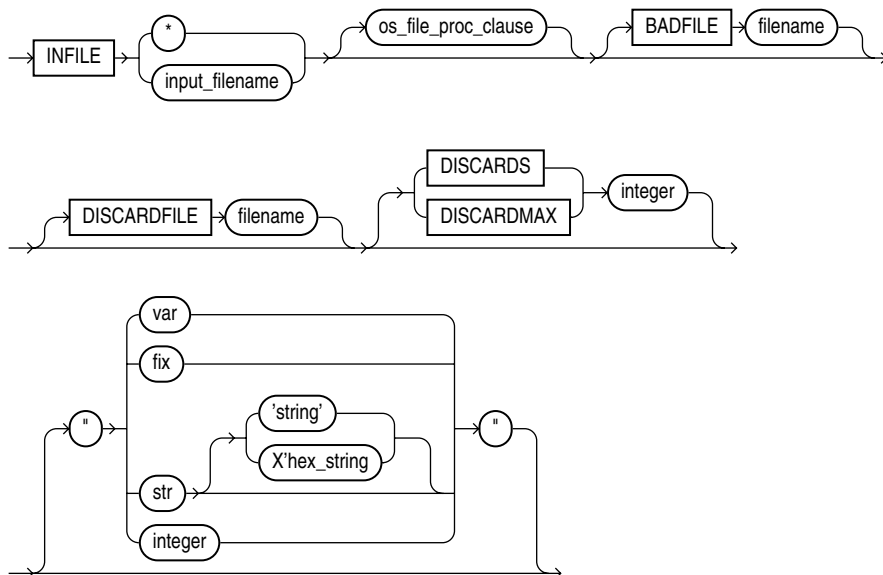
### Options Clause



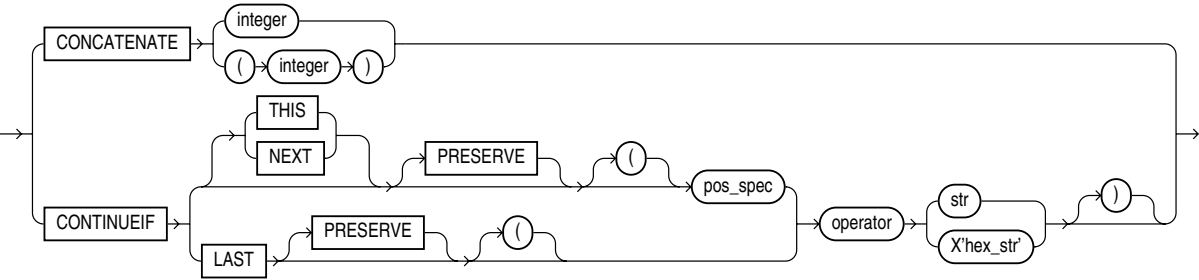
## Load Statement



## infile\_clause

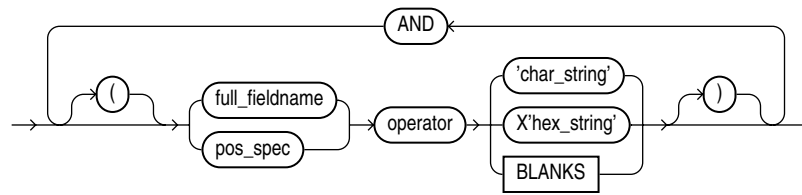


**concatenate\_clause**

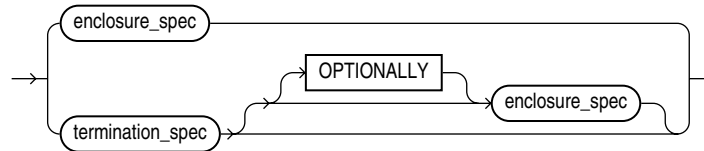




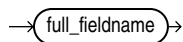
## field\_condition



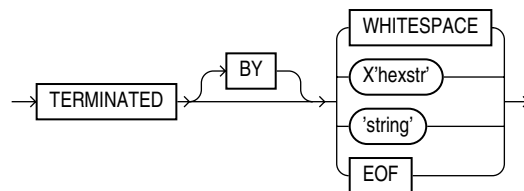
## delim\_spec



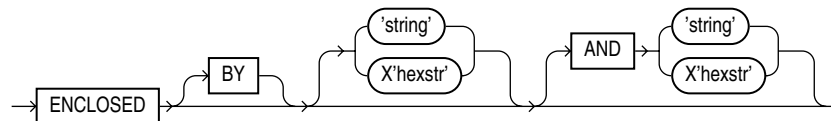
## full\_fieldname



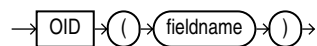
## termination\_spec



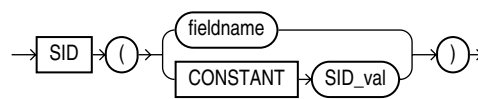
## enclosure\_spec



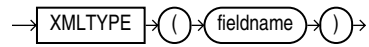
## oid\_spec



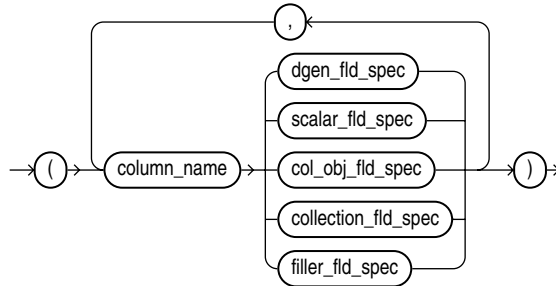
## sid\_spec



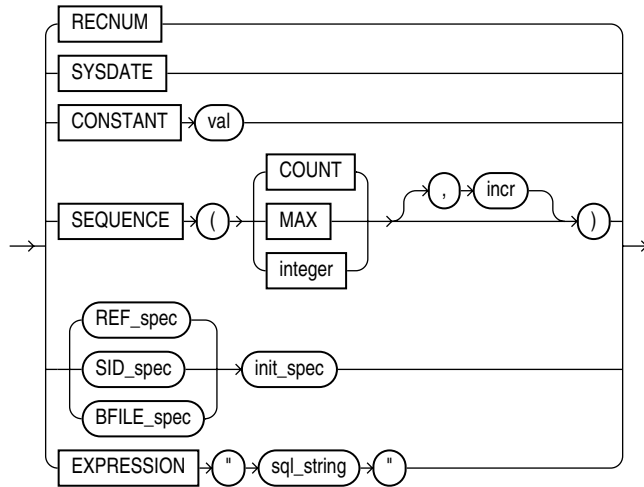
## xmltype\_spec



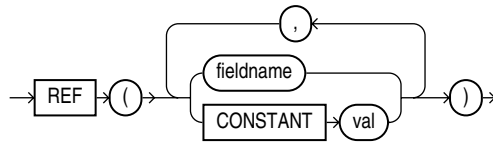
## field\_list



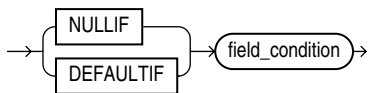
## dgen\_fld\_spec



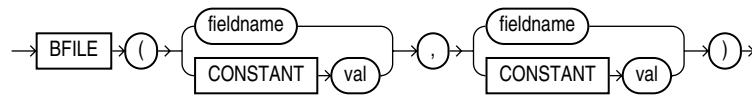
## ref\_spec



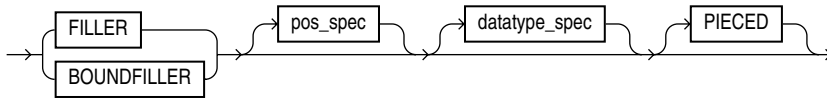
## init\_spec



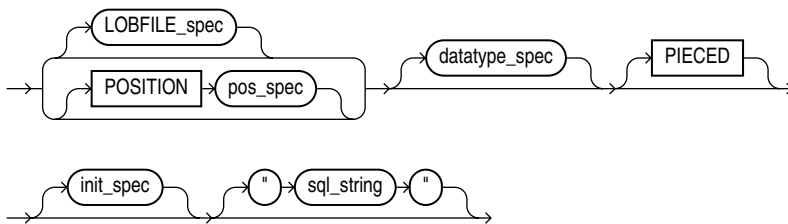
### bfile\_spec



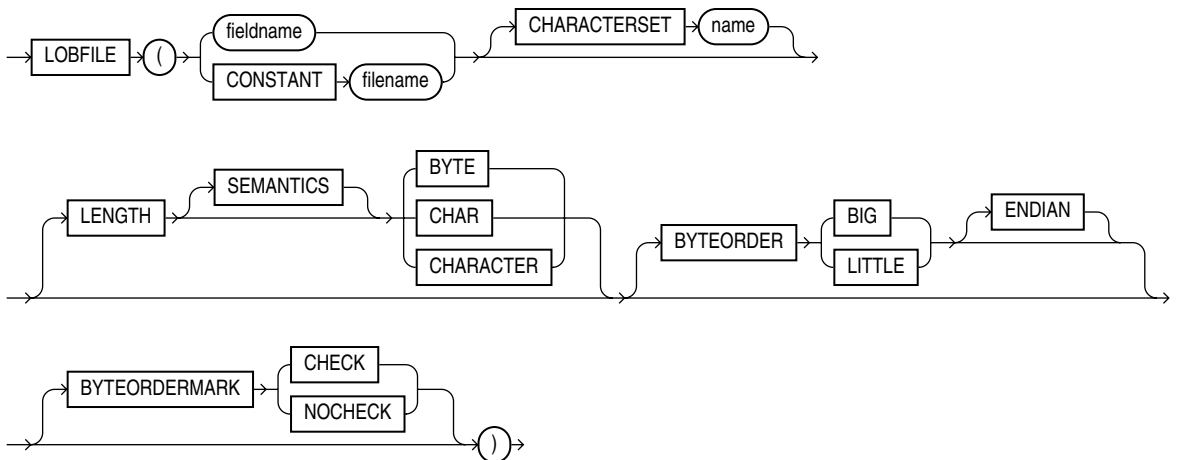
### filler\_fld\_spec



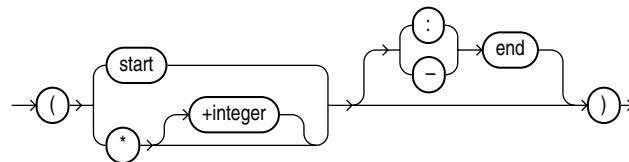
### scalar\_fld\_spec



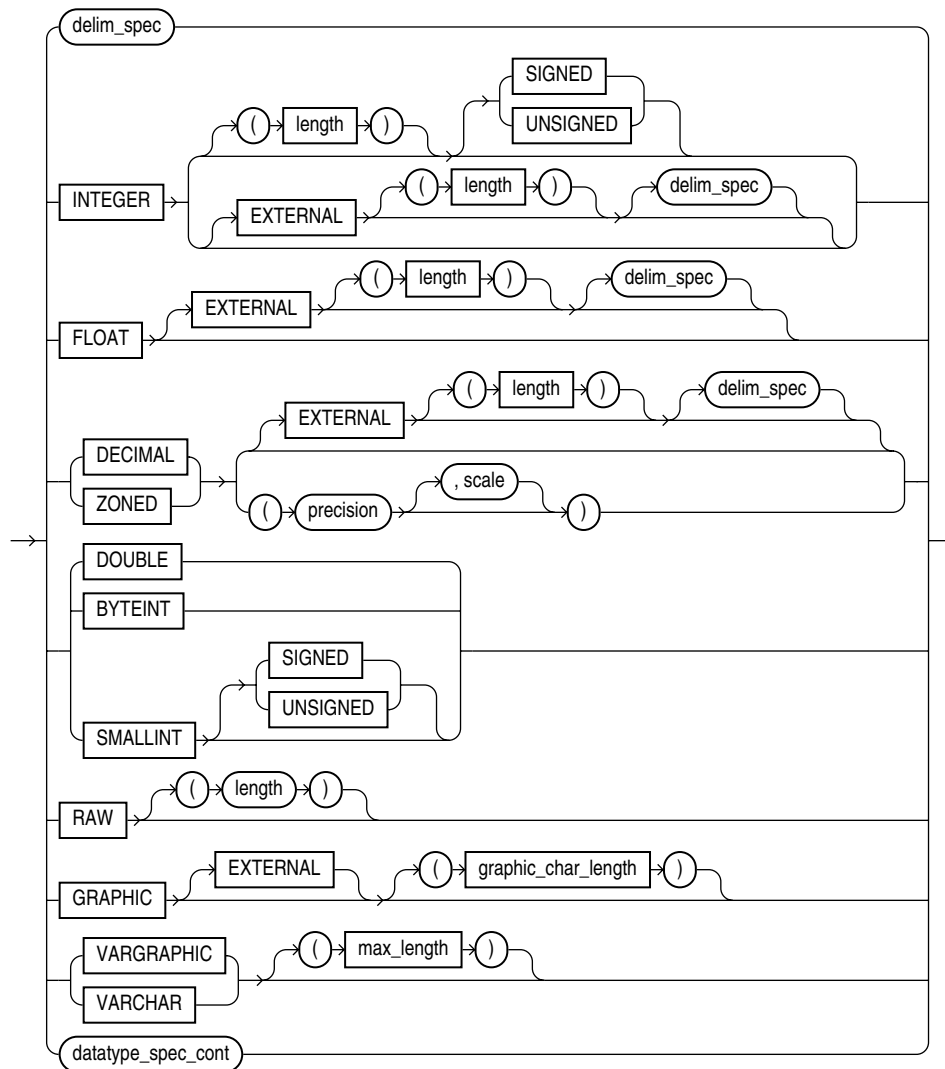
### lobfile\_spec



### pos\_spec

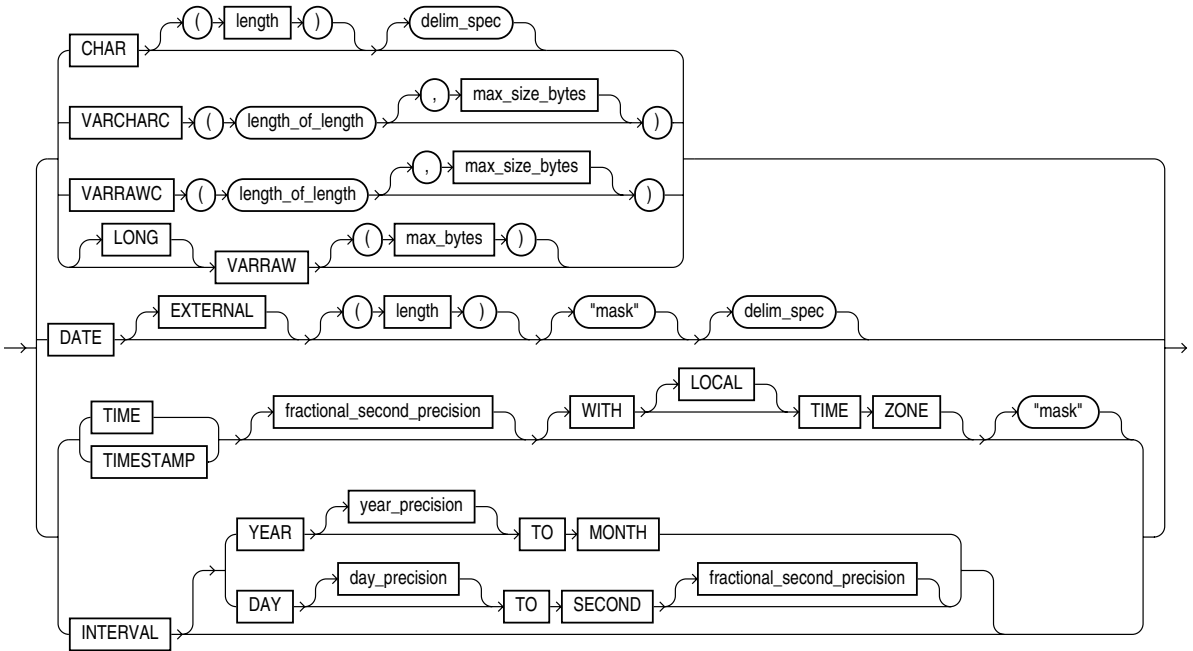


## datatype\_spec

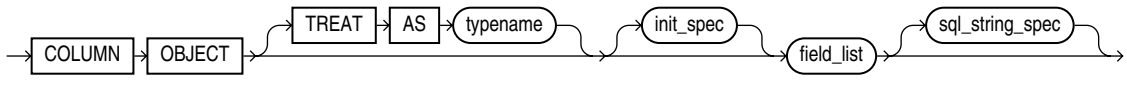




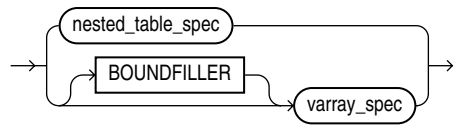
### datatype\_spec\_cont



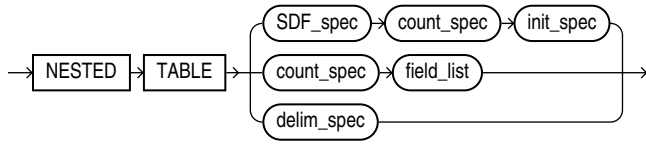
### col\_obj\_fld\_spec



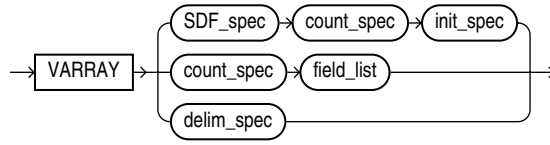
### collection\_fld\_spec



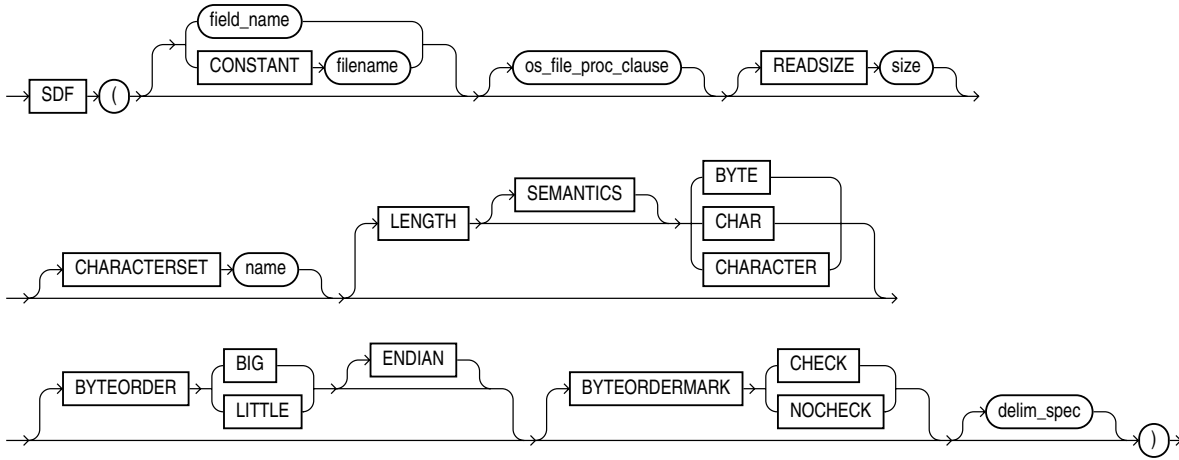
### nested\_table\_spec



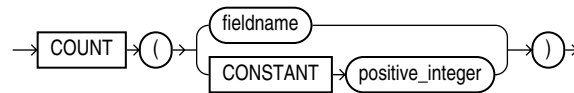
### varray\_spec



### sdf\_spec



### count\_spec



---

---

# Index

## A

---

access privileges  
  Export and Import, 20-4

ADD\_FILE parameter  
  Data Pump Export utility  
    interactive-command mode, 2-41

ADR  
  *See* automatic diagnostic repository

ADR base  
  in ADRCI utility, 15-3

ADR home  
  in ADRCI utility, 15-3

ADRCI  
  troubleshooting, 15-49

ADRCI utility  
  ADR base, 15-3  
  ADR home, 15-3  
  batch mode, 15-6  
  getting help, 15-4  
  homepath, 15-4  
  interactive mode, 15-4  
  starting, 15-4

Advanced Queuing  
  exporting advanced queue tables, 20-65  
  importing advanced queue tables, 20-74

aliases  
  directory  
    exporting, 20-64  
    importing, 20-73

analyzer statistics, 20-68

analyzing redo log files, 18-1

ANYDATA type  
  effect on table-mode Import, 20-11  
  using SQL strings to load, 9-43

APPEND parameter  
  SQL\*Loader utility, 8-30

append to table  
  SQL\*Loader, 8-26

archiving  
  disabling  
    effect on direct path loads, 11-14

arrays  
  committing after insert, 20-29

atomic null, 10-5

ATTACH parameter

  Data Pump Export utility, 2-8  
  Data Pump Import utility, 3-8

attaching to an existing job  
  Data Pump Export utility, 2-8

attributes  
  null, 10-4

attribute-value constructors  
  overriding, 10-6

automatic diagnostic repository, 15-2

Automatic Storage Management (ASM)  
  Data Pump and, 1-12

## B

---

backslash escape character, 8-4

backups  
  restoring dropped snapshots  
    Import, 20-57

bad files  
  specifying for SQL\*Loader, 8-9

BAD parameter  
  SQL\*Loader command line, 7-2

BADFILE parameter  
  SQL\*Loader utility, 8-9

BEGINDATA parameter  
  SQL\*Loader control file, 8-8

BFILE columns  
  exporting, 20-64  
  importing, 20-73

BFILE datatype, 10-21

big-endian data  
  external tables, 13-7

bind arrays  
  determining size of for SQL\*Loader, 8-35  
  minimizing SQL\*Loader memory  
    requirements, 8-38  
  minimum requirements, 8-34  
  size with multiple SQL\*Loader INTO TABLE  
    statements, 8-38  
  specifying maximum size, 7-2  
  specifying number of rows, 7-9  
  SQL\*Loader performance implications, 8-34

BINDSIZE parameter  
  SQL\*Loader command line, 7-2, 8-34

blanks  
  loading fields consisting of blanks, 9-33

- SQL\*Loader BLANKS parameter for field
  - comparison, 9-24
  - trailing, 9-22
  - trimming, 9-33
    - external tables, 13-16
    - whitespace, 9-33
- BLANKS parameter
  - SQL\*Loader utility, 9-24
- bound fillers, 9-5
- buffer cache size
  - and Data Pump operations involving
    - Streams, 4-3
- BUFFER parameter
  - Export utility, 20-16
  - Import utility, 20-29
- buffers
  - calculating for export, 20-16
  - space required by
    - VARCHAR data in SQL\*Loader, 9-10
  - specifying with SQL\*Loader BINDSIZE
    - parameter, 8-35
- byte order, 9-29
  - big-endian, 9-29
  - little-endian, 9-29
  - specifying in SQL\*Loader control file, 9-30
- byte order marks, 9-31
  - precedence
    - for first primary datafile, 9-31
    - for LOBFILES and SDFs, 9-32
  - suppressing checks for, 9-32
- BYTEINT datatype, 9-8
- BYTEORDER parameter
  - SQL\*Loader utility, 9-30
- BYTEORDERMARK parameter
  - SQL\*Loader utility, 9-32

## C

---

- cached sequence numbers
  - Export, 20-63
- catalog.sql script
  - preparing database for Export and Import, 20-3
- catexp.sql script
  - preparing database for Export and Import, 20-3
- catldr.sql script
  - preparing for direct path loads, 11-8
- changing a database ID, 17-2
- changing a database name, 17-5
- CHAR datatype
  - delimited form and SQL\*Loader, 9-19
  - reference
    - SQL\*Loader, 9-12
- character fields
  - delimiters and SQL\*Loader, 9-11, 9-19
  - determining length for SQL\*Loader, 9-22
  - SQL\*Loader datatypes, 9-11
- character sets
  - conversion
    - during Export and Import, 20-55
    - eight-bit to seven-bit conversions
      - Export/Import, 20-56
      - identifying for external tables, 13-6
      - multibyte
        - Export/Import, 20-56
        - SQL\*Loader, 8-13
      - single-byte
        - Export/Import, 20-56
      - SQL\*Loader control file, 8-16
      - SQL\*Loader conversion between, 8-13
      - Unicode, 8-13
- character strings
  - external tables
    - specifying bytes or characters, 13-8
    - SQL\*Loader, 9-25
- character-length semantics, 8-17
- CHARACTERSET parameter
  - SQL\*Loader utility, 8-16
- check constraints
  - overriding disabling of, 11-19
- collections, 6-10
  - loading, 10-22
- column array rows
  - specifying number of, 11-15
- column objects
  - loading, 10-1
    - with user-defined constructors, 10-6
- COLUMNARRAYROWS parameter
  - SQL\*Loader command line, 7-3
- columns
  - exporting LONG datatypes, 20-63
  - loading REF columns, 10-11
  - naming
    - SQL\*Loader, 9-4
  - objects
    - loading nested column objects, 10-3
    - stream record format, 10-2
    - variable record format, 10-2
  - reordering before Import, 20-9
  - setting to a constant value with SQL\*Loader, 9-44
  - setting to a unique sequence number with
    - SQL\*Loader, 9-46
  - setting to an expression value with
    - SQL\*Loader, 9-45
  - setting to null with SQL\*Loader, 9-45
  - setting to the current date with SQL\*Loader, 9-45
  - setting to the datafile record number with
    - SQL\*Loader, 9-45
  - specifying
    - SQL\*Loader, 9-4
  - specifying as PIECED
    - SQL\*Loader, 11-12
  - using SQL\*Loader, 9-45
- comments
  - in Export and Import parameter files, 20-5
  - with external tables, 13-2, 14-2
- COMMIT parameter
  - Import utility, 20-29
- COMPILE parameter
  - Import utility, 20-29
- completion messages

- Export, 20-53
- Import, 20-53
- COMPRESS parameter
  - Export utility, 20-17
- COMPRESSION parameter
  - Data Pump Export utility, 2-9
- CONCATENATE parameter
  - SQL\*Loader utility, 8-21
- concurrent conventional path loads, 11-22
- configuration
  - of LogMiner utility, 18-2
- CONSISTENT parameter
  - Export utility, 20-17
    - nested tables and, 20-17
    - partitioned table and, 20-17
- consolidating
  - extents, 20-17
- CONSTANT parameter
  - SQL\*Loader, 9-44
- constraints
  - automatic integrity and SQL\*Loader, 11-20
  - direct path load, 11-18
  - disabling referential constraints, 20-10
  - enabling
    - after a parallel direct path load, 11-25
  - enforced on a direct load, 11-18
  - failed
    - Import, 20-66
  - load method, 11-7
- CONSTRAINTS parameter
  - Export utility, 20-19
  - Import utility, 20-30
- constructors
  - attribute-value, 10-6
    - overriding, 10-6
  - user-defined, 10-6
    - loading column objects with, 10-6
- CONTENT parameter
  - Data Pump Export utility, 2-9
  - Data Pump Import utility, 3-8
- CONTINUE\_CLIENT parameter
  - Data Pump Export utility
    - interactive-command mode, 2-42
  - Data Pump Import utility
    - interactive-command mode, 3-45
- CONTINUEIF parameter
  - SQL\*Loader utility, 8-21
- control files
  - character sets, 8-16
  - creating
    - guidelines, 6-3
  - data definition language syntax, 8-1
  - specifying data, 8-8
  - specifying SQL\*Loader discard file, 8-11
- CONTROL parameter
  - SQL\*Loader command line, 7-3
- conventional path Export
  - compared to direct path, 20-61
- conventional path loads
  - behavior when discontinued, 8-19

- compared to direct path loads, 11-7
  - concurrent, 11-23
    - of a single partition, 11-3
  - SQL\*Loader bind array, 8-34
  - when to use, 11-3
- conversion of character sets
  - during Export/Import, 20-55
  - effect of character set sorting on, 20-55
- conversion of data
  - during direct path loads, 11-4
- conversion of input characters, 8-14
- CREATE SESSION privilege
  - Export, 20-4
  - Import, 20-4
- creating
  - incident package, 15-11
  - tables
    - manually, before import, 20-9

## D

---

- data
  - conversion
    - direct path load, 11-4
  - delimiter marks in data and SQL\*Loader, 9-21
  - distinguishing different input formats for
    - SQL\*Loader, 8-30
  - distinguishing different input row object
    - subtypes, 8-30, 8-32
  - exporting, 20-25
  - generating unique values with SQL\*Loader, 9-46
  - including in control files, 8-8
  - loading data contained in the SQL\*Loader control
    - file, 9-44
  - loading in sections
    - SQL\*Loader, 11-11
  - loading into more than one table
    - SQL\*Loader, 8-30
  - maximum length of delimited data for
    - SQL\*Loader, 9-21
  - moving between operating systems using
    - SQL\*Loader, 9-29
  - recovery
    - SQL\*Loader direct path load, 11-11
    - saving in a direct path load, 11-10
  - saving rows
    - SQL\*Loader, 11-14
  - unsorted
    - SQL\*Loader, 11-13
  - values optimized for SQL\*Loader
    - performance, 9-44
- data fields
  - specifying the SQL\*Loader datatype, 9-6
- data movement
  - in Data Pump Export and Import, 1-2
- DATA parameter
  - SQL\*Loader command line, 7-3
- Data Pump Export utility
  - and transparent data encryption, 2-15
  - ATTACH parameter, 2-8

- command-line mode, 2-7, 3-6
- compared to original Export utility, 2-39
- COMPRESSION parameter, 2-9
- CONTENT parameter, 2-9
- controlling resource consumption, 4-2
- data movement methods, 1-2
- DATA\_OPTIONS parameter, 2-10
- dump file set, 2-1
- DUMPFIL parameter, 2-11
- encryption of SecureFiles, 2-13
- ENCRYPTION parameter, 2-13
- ENCRYPTION\_ALGORITHM parameter, 2-13
- ENCRYPTION\_MODE parameter, 2-14
- ENCRYPTION\_PASSWORD parameter, 2-15
- ESTIMATE parameter, 2-17
- ESTIMATE\_ONLY parameter, 2-17
- EXCLUDE parameter, 2-18
- excluding objects, 2-18
- export modes, 2-3
- FILESIZE command
  - interactive-command mode, 2-43
- FILESIZE parameter, 2-19
- filtering data that is exported
  - using EXCLUDE parameter, 2-18
  - using INCLUDE parameter, 2-23
- FLASHBACK\_SCN parameter, 2-20
- FLASHBACK\_TIME parameter, 2-21
- FULL parameter, 2-22
- HELP parameter
  - interactive-command mode, 2-43
- INCLUDE parameter, 2-23
- interactive-command mode, 2-41
  - ADD\_FILE parameter, 2-41
  - CONTINUE\_CLIENT parameter, 2-42
  - EXIT\_CLIENT parameter, 2-42
  - FILESIZE, 2-43
  - HELP parameter, 2-43
  - KILL\_JOB parameter, 2-43
  - PARALLEL parameter, 2-44
  - START\_JOB parameter, 2-44
  - STATUS parameter, 2-44
  - STOP\_JOB parameter, 2-45, 3-47
- interfaces, 2-2
- invoking
  - as SYSDBA, 2-2, 3-2
- job names
  - specifying, 2-24
- JOB\_NAME parameter, 2-24
- LOGFILE parameter, 2-25
- NETWORK\_LINK parameter, 2-26
- NOLOGFILE parameter, 2-27
- PARALLEL parameter
  - command-line mode, 2-27
  - interactive-command mode, 2-44
- PARFILE parameter, 2-28
- QUERY parameter, 2-29
- REMAP\_DATA parameter, 2-30
- REUSE\_DUMPFIL parameter, 2-31
- SAMPLE parameter, 2-31
- SCHEMAS parameter, 2-32
- specifying a job name, 2-24
- syntax diagrams, 2-48
- TABLES parameter, 2-33
- TABLESPACES parameter, 2-35
- TRANSPORT\_FULL\_CHECK parameter, 2-35
- TRANSPORT\_TABLESPACES parameter, 2-36
- TRANSPORTABLE parameter, 2-37
- VERSION parameter, 2-38
- versioning, 1-13
- Data Pump Import utility
  - and transparent data encryption, 3-12
  - ATTACH parameter, 3-8
  - attaching to an existing job, 3-8
  - changing name of source datafile, 3-26
  - command-line mode
    - NOLOGFILE parameter, 3-21
    - STATUS parameter, 3-32
  - compared to original Import utility, 3-42
  - CONTENT parameter, 3-9
  - controlling resource consumption, 4-2
  - data movement methods, 1-2
  - DATA\_OPTIONS parameter, 3-9
  - DIRECTORY parameter, 3-10
  - DUMPFIL parameter, 3-11
  - ENCRYPTION\_PASSWORD parameter, 3-12
  - ESTIMATE parameter, 3-13
  - estimating size of job, 3-12
  - EXCLUDE parameter, 3-13
  - filtering data that is imported
    - using EXCLUDE parameter, 3-13
    - using INCLUDE parameter, 3-17
  - FLASHBACK\_SCN parameter, 3-15
  - FLASHBACK\_TIME parameter, 3-16
  - full import mode, 3-3
  - FULL parameter, 3-17
  - HELP parameter
    - command-line mode, 3-17
    - interactive-command mode, 3-45
  - INCLUDE parameter, 3-17
  - interactive-command mode, 3-44
    - CONTINUE\_CLIENT parameter, 3-45
    - EXIT\_CLIENT parameter, 3-45
    - HELP parameter, 3-45
    - KILL\_JOB parameter, 3-46
    - START\_JOB parameter, 3-46
    - STATUS parameter, 3-47
    - STOP\_JOB parameter, 3-47
  - interfaces, 3-2
  - JOB\_NAME parameter, 3-19
  - LOGFILE parameter, 3-19
  - PARALLEL parameter
    - command-line mode, 3-22
    - interactive-command mode, 3-46
  - PARFILE parameter, 3-22
  - PARTITION\_OPTIONS parameter, 3-23
  - QUERY parameter, 3-24
  - REMAP\_DATA parameter, 3-25
  - REMAP\_DATAFILE parameter, 3-26
  - REMAP\_SCHEMA parameter, 3-27
  - REMAP\_TABLE parameter, 3-28

- REMAP\_TABLESPACE parameter, 3-29
- REUSE\_DATAFILES parameter, 3-30
- schema mode, 3-4
- SCHEMAS parameter, 3-30
- SKIP\_UNUSABLE\_INDEXES parameter, 3-31
- specifying a job name, 3-19
- specifying dump file set to import, 3-11
- SQLFILE parameter, 3-31
- STREAMS\_CONFIGURATION parameter, 3-33
- syntax diagrams, 3-49
- table mode, 3-4
- TABLE\_EXISTS\_ACTION parameter, 3-33
- TABLES parameter, 3-34
- tablespace mode, 3-4
- TABLESPACES parameter, 3-35
- TRANSFORM parameter, 3-36
- TRANSPORT\_DATAFILES parameter, 3-38
- TRANSPORT\_FULL\_CHECK parameter, 3-39
- TRANSPORT\_TABLESPACES parameter, 3-40
- TRANSPORTABLE parameter, 3-41
- transportable tablespace mode, 3-4
- VERSION parameter, 3-41
- versioning, 1-13
- DATA\_OPTIONS parameter
  - Data Pump Export utility, 2-10
  - Data Pump Import utility, 3-9
- database ID (DBID)
  - changing, 17-2
- database identifier
  - changing, 17-2
- database migration
  - partitioning of, 20-76
- database name (DBNAME)
  - changing, 17-5
- database objects
  - exporting LONG columns, 20-63
- databases
  - changing the database ID, 17-2
  - changing the name, 17-5
  - exporting entire, 20-21
  - full import, 20-32
  - moving between platforms, 20-52
  - privileges for exporting and importing, 20-4
  - reducing fragmentation, 20-60
  - reusing existing datafiles
    - Import, 20-30
- datafiles
  - preventing overwrite during import, 20-30
  - reusing during import, 20-30
  - specifying, 7-3
  - specifying buffering for SQL\*Loader, 8-9
  - specifying for SQL\*Loader, 8-6
  - specifying format for SQL\*Loader, 8-9
- DATAFILES parameter
  - Import utility, 20-30
- datatypes
  - BFILE
    - Export, 20-64
    - Import, 20-73
  - BYTEINT, 9-8
  - CHAR, 9-12
    - converting SQL\*Loader, 9-17
  - DATE, 9-13
  - datetime, 9-12
  - DECIMAL, 9-9
    - default in SQL\*Loader, 9-6
  - describing for external table fields, 13-19
  - determining character field lengths for
    - SQL\*Loader, 9-22
  - determining DATE length, 9-23
  - DOUBLE, 9-8
  - FLOAT, 9-8
  - GRAPHIC, 9-14
  - GRAPHIC EXTERNAL, 9-15
  - identifying for external tables, 13-17
  - INTEGER (n), 9-7
  - interval, 9-12
  - length-value, 9-6
  - LONG
    - Export, 20-63
    - Import, 20-74
  - LONG VARRAW, 9-11
    - native
      - conflicting length specifications in
        - SQL\*Loader, 9-17
    - nonportable, 9-6
    - nonscalar, 10-4
  - NUMBER
    - SQL\*Loader, 9-18, 9-19
  - numeric EXTERNAL, 9-15
  - portable, 9-11
  - RAW, 9-16
  - SMALLINT, 9-7
  - specifying the SQL\*Loader datatype of a data
    - field, 9-6
  - supported by the LogMiner utility, 18-68
  - unsupported by LogMiner utility, 18-69
  - value, 9-6
  - VARCHAR, 9-10
  - VARCHAR2
    - SQL\*Loader, 9-18
  - VARCHARC, 9-16
  - VARGRAPHIC, 9-9
  - VARRAW, 9-11
  - VARRAWC, 9-17
  - ZONED, 9-8
- date cache feature
  - DATE\_CACHE parameter, 7-3
    - external tables, 12-8
    - SQL\*Loader, 11-16
- DATE datatype
  - delimited form and SQL\*Loader, 9-19
  - determining length, 9-23
  - mask
    - SQL\*Loader, 9-23
    - SQL\*Loader, 9-13
- DATE\_CACHE parameter
  - SQL\*Loader utility, 7-3
- datetime datatypes, 9-12
- DBID (database identifier)

- changing, 17-2
- DBMS\_DATAPUMP PL/SQL package, 5-1
- DBMS\_LOGMNR PL/SQL procedure
  - LogMiner utility and, 18-4
- DBMS\_LOGMNR\_D PL/SQL procedure
  - LogMiner utility and, 18-4
- DBMS\_LOGMNR\_D.ADD\_LOGFILES PL/SQL procedure
  - LogMiner utility and, 18-4
- DBMS\_LOGMNR\_D.BUILD PL/SQL procedure
  - LogMiner utility and, 18-4
- DBMS\_LOGMNR\_D.END\_LOGMNR PL/SQL procedure
  - LogMiner utility and, 18-5
- DBMS\_LOGMNR.ADD\_LOGFILE PL/SQL procedure
  - ADDFILE option, 18-9
  - NEW option, 18-9
- DBMS\_LOGMNR.COLUMN\_PRESENT function, 18-13
- DBMS\_LOGMNR.MINE\_VALUE function, 18-13
  - null values and, 18-14
- DBMS\_LOGMNR.START\_LOGMNR PL/SQL procedure, 18-10
  - calling multiple times, 18-25
  - COMMITTED\_DATA\_ONLY option, 18-20
  - CONTINUOUS\_MINE option, 18-9
  - ENDTIME parameter, 18-23
  - LogMiner utility and, 18-5
  - options for, 18-10
  - PRINT\_PRETTY\_SQL option, 18-24
  - SKIP\_CORRUPTION option, 18-22
  - STARTTIME parameter, 18-23
- DBMS\_METADATA PL/SQL package, 19-3
- DBNAME
  - changing, 17-5
- DBNEWID utility, 17-1
  - changing a database ID, 17-2
  - changing a database name, 17-5
  - effect on global database names, 17-2
  - restrictions, 17-9
  - syntax, 17-8
  - troubleshooting a database ID change, 17-7
- DBVERIFY utility
  - output, 16-2
  - restrictions, 16-1
  - syntax, 16-1
  - validating a segment, 16-3
  - validating disk blocks, 16-1
- DECIMAL datatype, 9-9
  - EXTERNAL format
    - SQL\*Loader, 9-15
- default schema
  - as determined by SQL\*Loader, 8-25
- DEFAULTTIF parameter
  - SQL\*Loader, 9-23
- DELETE ANY TABLE privilege
  - SQL\*Loader, 8-26
- DELETE CASCADE
  - effect on loading nonempty tables, 8-26
  - SQL\*Loader, 8-26
- DELETE privilege
  - SQL\*Loader, 8-26
- delimited data
  - maximum length for SQL\*Loader, 9-21
- delimited fields
  - field length, 9-22
- delimited LOBs, 10-19
- delimiters
  - in external tables, 13-5
  - loading trailing blanks, 9-22
  - marks in data and SQL\*Loader, 9-21
  - specifying for external tables, 13-14
  - specifying for SQL\*Loader, 8-27, 9-19
  - SQL\*Loader enclosure, 9-36
  - SQL\*Loader field specifications, 9-36
  - termination, 9-36
- DESTROY parameter
  - Import utility, 20-30
- dictionary
  - requirements for LogMiner utility, 18-4
  - dictionary version mismatch, 18-32
- DIRECT parameter
  - Export utility, 20-19
- direct path Export, 20-61
  - compared to conventional path, 20-61
  - effect of EXEMPT ACCESS POLICY privilege, 20-62
  - performance issues, 20-62
  - restrictions, 20-62
  - security considerations, 20-62
- direct path load
  - advantages, 11-5
  - behavior when discontinued, 8-19
  - choosing sort order
    - SQL\*Loader, 11-14
  - compared to conventional path load, 11-7
  - concurrent, 11-23
  - conditions for use, 11-6
  - data saves, 11-10, 11-14
  - DIRECT command-line parameter
    - SQL\*Loader, 11-8
  - dropping indexes, 11-18
  - effect of disabling archiving, 11-14
  - effect of PRIMARY KEY constraints, 11-26
  - effect of UNIQUE KEY constraints, 11-26
  - field defaults, 11-7
  - improper sorting
    - SQL\*Loader, 11-13
  - indexes, 11-8
  - instance recovery, 11-11
  - intersegment concurrency, 11-23
  - intra-segment concurrency, 11-23
  - loading into synonyms, 11-7
  - location of data conversion, 11-4
  - media recovery, 11-11
  - optimizing on multiple-CPU systems, 11-17
  - partitioned load
    - SQL\*Loader, 11-22
  - performance, 11-8, 11-12



- preallocating storage, 11-12
- presorting data, 11-13
- recovery, 11-11
- ROWS command-line parameter, 11-10
- setting up, 11-8
- specifying, 11-8
- specifying number of rows to be read, 7-9
- SQL\*Loader data loading method, 6-9
- table insert triggers, 11-20
- temporary segment storage requirements, 11-9
- triggers, 11-18
- using, 11-7, 11-8
- version requirements, 11-6
- directory aliases
  - exporting, 20-64
  - importing, 20-73
- directory objects
  - Data Pump
    - effect of automatic storage management, 1-12
    - using with Data Pump, 1-12
- DIRECTORY parameter
  - Data Pump Export utility, 2-11
  - Data Pump Import utility, 3-10
- discard files
  - SQL\*Loader, 8-11
    - specifying a maximum, 8-12
- DISCARD parameter
  - SQL\*Loader command-line, 7-4
- discarded SQL\*Loader records, 6-8
  - causes, 8-12
  - discard file, 8-11
  - limiting, 8-12
- DISCARDMAX parameter
  - SQL\*Loader command-line, 7-4
- discontinued loads, 8-18
  - continuing, 8-20
  - conventional path behavior, 8-19
  - direct path behavior, 8-19
- DOUBLE datatype, 9-8
- dropped snapshots
  - Import, 20-57
- dump files
  - maximum size, 20-20
- DUMPFIL parameter
  - Data Pump Export utility, 2-11
  - Data Pump Import utility, 3-11

## E

- EBCDIC character set
  - Import, 20-56
- eight-bit character set support, 20-56
- EMCA
  - command-line arguments, 21-2
  - sample EMCA input file, 21-7
- enclosed fields
  - specified with enclosure delimiters and
    - SQL\*Loader, 9-20
  - whitespace, 9-38
- enclosure delimiters, 9-19

- SQL\*Loader, 9-20, 9-36
- encrypted columns
  - in external tables, 14-4
- ENCRYPTION parameter
  - Data Pump Export utility, 2-13
- ENCRYPTION\_ALGORITHM parameter
  - Data Pump Export utility, 2-13
- ENCRYPTION\_MODE parameter
  - Data Pump Export utility, 2-14
- ENCRYPTION\_PASSWORD parameter
  - Data Pump Export utility, 2-15
  - Data Pump Import utility, 3-12
- errors
  - caused by tab characters in SQL\*Loader data, 9-3
  - LONG data, 20-66
  - object creation, 20-67
    - Import parameter IGNORE, 20-32
  - resource errors on import, 20-67
  - row errors during import, 20-66
  - writing to export log file, 20-22
- ERRORS parameter
  - SQL\*Loader command line, 7-4
- escape character
  - quoted strings and, 8-4
  - usage in Data Pump Export, 2-7
  - usage in Data Pump Import, 3-7
  - usage in Export, 20-26
  - usage in Import, 20-38
- ESTIMATE parameter
  - Data Pump Export utility, 2-17
  - Data Pump Import utility, 3-12
- ESTIMATE\_ONLY parameter
  - Data Pump Export utility, 2-17
- estimating size of job
  - Data Pump Export utility, 2-17
- EVALUATE CHECK\_CONSTRAINTS clause, 11-19
- EXCLUDE parameter
  - Data Pump Export utility, 2-18
  - Data Pump Import utility, 3-13
- exit codes
  - Export and Import, 20-53
  - SQL\*Loader, 7-12
- EXIT\_CLIENT parameter
  - Data Pump Export utility
    - interactive-command mode, 2-42
  - Data Pump Import utility
    - interactive-command mode, 3-45
- EXP\_FULL\_DATABASE role
  - assigning in Export, 20-3
- expdat.dmp
  - Export output file, 20-19
- Export
  - BUFFER parameter, 20-16
  - character set conversion, 20-55
  - COMPRESS parameter, 20-17
  - CONSISTENT parameter, 20-17
  - CONSTRAINTS parameter, 20-19
  - conventional path, 20-61
  - creating
    - necessary privileges, 20-3

- necessary views, 20-3
- database optimizer statistics, 20-25
- DIRECT parameter, 20-19
- direct path, 20-61
- displaying online help, 20-22
- example sessions, 20-41
  - full database mode, 20-41
  - partition-level, 20-45
  - table mode, 20-42
  - user mode, 20-23, 20-42
- exit codes, 20-53
- exporting an entire database, 20-21
- exporting indexes, 20-22
- exporting sequence numbers, 20-63
- exporting synonyms, 20-65
- exporting to another operating system, 20-24, 20-34
- FEEDBACK parameter, 20-19
- FILE parameter, 20-19
- FILESIZE parameter, 20-19
- FLASHBACK\_SCN parameter, 20-20
- FLASHBACK\_TIME parameter, 20-21
- full database mode
  - example, 20-41
- FULL parameter, 20-21
- GRANTS parameter, 20-22
- HELP parameter, 20-22
- INDEXES parameter, 20-22
- invoking, 20-4
- log files
  - specifying, 20-22
- LOG parameter, 20-22
- logging error messages, 20-22
- LONG columns, 20-63
- OBJECT\_CONSISTENT parameter, 20-22
- online help, 20-6
- OWNER parameter, 20-23
- parameter file, 20-23
  - maximum size, 20-5
- parameter syntax, 20-16
- PARFILE parameter, 20-23
- partitioning a database migration, 20-76
- QUERY parameter, 20-23
- RECORDLENGTH parameter, 20-24
- redirecting output to a log file, 20-53
- remote operation, 20-54
- restrictions based on privileges, 20-4
- RESUMABLE parameter, 20-24
- RESUMABLE\_NAME parameter, 20-25
- RESUMABLE\_TIMEOUT parameter, 20-25
- ROWS parameter, 20-25
- sequence numbers, 20-63
- STATISTICS parameter, 20-25
- storage requirements, 20-3
- table mode
  - example session, 20-42
- table name restrictions, 20-27
- TABLES parameter, 20-26
- TABLESPACES parameter, 20-27
- TRANSPORT\_TABLESPACE parameter, 20-27

- TRIGGERS parameter, 20-28
- TTS\_FULL\_CHECK parameter, 20-28
- user access privileges, 20-4
- user mode
  - example session, 20-23, 20-42
  - specifying, 20-23
- USERID parameter, 20-28
- VOLSIZE parameter, 20-28
- export dump file
  - importing the entire file, 20-32
- export file
  - listing contents before importing, 20-35
  - specifying, 20-19
- EXPRESSION parameter
  - SQL\*Loader, 9-45
- extents
  - consolidating, 20-17
  - importing consolidated, 20-61
- external files
  - exporting, 20-64
- EXTERNAL parameter
  - SQL\*Loader, 9-16
- EXTERNAL SQL\*Loader datatypes, 9-15
  - DECIMAL, 9-15
  - FLOAT, 9-15
  - GRAPHIC, 9-15
  - numeric, 9-15
    - determining len, 9-22
  - ZONED, 9-15
- external tables
  - access parameters, 12-2
  - and encrypted columns, 14-4
  - big-endian data, 13-7
  - column\_transforms clause, 13-3
  - datatypes, 13-19
  - date cache feature, 12-8
  - delimiters, 13-5
  - describing datatype of a field, 13-19
  - differences in load behavior from
    - SQL\*Loader, 12-10
  - field\_definitions clause, 13-3, 13-12
  - fixed-length records, 13-4
  - identifying character sets, 13-6
  - identifying datatypes, 13-17
  - improving performance when using, 12-8
    - date cache feature, 12-8
  - little-endian data, 13-7
  - opaque\_format\_spec, 12-2
  - record\_format\_info clause, 13-2, 13-3
  - reserved words, 12-10
  - restrictions, 12-9
  - setting a field to a default value, 13-26
  - setting a field to null, 13-26
  - skipping records when loading data, 13-9
  - specifying delimiters, 13-14
  - specifying load conditions, 13-8
  - trimming blanks, 13-16
  - use of SQL strings, 12-9
  - using comments, 13-2, 14-2
  - using constructor functions with, 12-6

- using to load data, 12-5
- variable-length records, 13-5

EXTERNAL\_TABLE parameter

- SQL\*Loader, 7-5

## F

---

fatal errors

- See* nonrecoverable error messages

FEEDBACK parameter

- Export utility, 20-19

- Import utility, 20-30

field conditions

- specifying for SQL\*Loader, 9-23

field length

- SQL\*Loader specifications, 9-36

field location

- SQL\*Loader, 9-2

fields

- character data length and SQL\*Loader, 9-22

- comparing to literals with SQL\*Loader, 9-25

- delimited

  - determining length, 9-22

  - SQL\*Loader, 9-19

- enclosed and SQL\*Loader, 9-20

- loading all blanks, 9-33

- predetermined size

  - length, 9-22

  - SQL\*Loader, 9-36

- relative positioning and SQL\*Loader, 9-36

- specified with a termination delimiter and

  - SQL\*Loader, 9-19

- specified with enclosure delimiters and

  - SQL\*Loader, 9-20

- specifying default delimiters for

  - SQL\*Loader, 8-27

- specifying for SQL\*Loader, 9-4

- SQL\*Loader delimited

  - specifications, 9-36

- terminated and SQL\*Loader, 9-19

FIELDS clause

- SQL\*Loader, 8-27

- terminated by whitespace, 9-38

FILE parameter

- Export utility, 20-19

- Import utility, 20-30

- SQL\*Loader utility, 11-25

filenames

- quotation marks and, 8-4

- specifying multiple SQL\*Loader, 8-8

- SQL\*Loader, 8-4

- SQL\*Loader bad file, 8-9

FILESIZE parameter

- Data Pump Export utility, 2-19

- Export utility, 20-19

- Import utility, 20-31

FILLER field

- using as argument to `init_spec`, 9-4

filtering data

- using Data Pump Export utility, 2-1

- using Data Pump Import utility, 3-1

filtering metadata that is imported

- Data Pump Import utility, 3-13

finalizing

- in ADRCI utility, 15-3

fine-grained access support

- Export and Import, 20-59

fixed-format records, 6-4

fixed-length records

- external tables, 13-4

FLASHBACK\_SCN parameter

- Data Pump Export utility, 2-20

- Data Pump Import utility, 3-15

- Export utility, 20-20

FLASHBACK\_TIME parameter

- Data Pump Export utility, 2-21

- Data Pump Import utility, 3-15

- Export utility, 20-21

FLOAT datatype, 9-7

- EXTERNAL format

  - SQL\*Loader, 9-15

FLOAT EXTERNAL data values

- SQL\*Loader, 9-16

foreign function libraries

- exporting, 20-64

- importing, 20-74

formats

- SQL\*Loader input records and, 8-31

formatting errors

- SQL\*Loader, 8-9

fragmentation

- reducing, 20-60

FROMUSER parameter

- Import utility, 20-31

full database mode

- Import, 20-32

- specifying with FULL, 20-21

full export mode

- Data Pump Export utility, 2-3

FULL parameter

- Data Pump Export utility, 2-22

- Data Pump Import utility, 3-16

- Export utility, 20-21

- Import utility, 20-32

## G

---

globalization

- SQL\*Loader, 8-13

grants

- exporting, 20-22

- importing, 20-7, 20-32

GRANTS parameter

- Export utility, 20-22

- Import utility, 20-32

GRAPHIC datatype

- EXTERNAL format in SQL\*Loader, 9-15

## H

---

### HELP parameter

- Data Pump Export utility
  - command-line mode, 2-22
  - interactive-command mode, 2-43
- Data Pump Import utility
  - command-line mode, 3-17
  - interactive-command mode, 3-45
- Export utility, 20-22
- Import utility, 20-32

### hexadecimal strings

- SQL\*Loader, 9-25

### homepath

- in ADRCI utility, 15-4

## I

---

### IGNORE parameter

- Import utility, 20-32

### IMP\_FULL\_DATABASE role

- assigning in Import, 20-3

### Import

- BUFFER parameter, 20-29
- character set conversion, 20-55, 20-56
- COMMIT parameter, 20-29
- committing after array insert, 20-29
- COMPILE parameter, 20-29
- consolidated extents, 20-61
- CONSTRAINTS parameter, 20-30
- creating
  - necessary privileges, 20-3
  - necessary views, 20-3
- creating an index-creation SQL script, 20-33
- database optimizer statistics, 20-36
- DATAFILES parameter, 20-30
- DESTROY parameter, 20-30
- disabling referential constraints, 20-10
- displaying online help, 20-32
- dropping a tablespace, 20-58
- errors importing database objects, 20-66
- example sessions, 20-46
  - all tables from one user to another, 20-48
  - selected tables for specific user, 20-47
  - tables exported by another user, 20-47
  - using partition-level Import, 20-48
- exit codes, 20-53
- export file
  - importing the entire file, 20-32
  - listing contents before import, 20-35
- failed integrity constraints, 20-66
- FEEDBACK parameter, 20-30
- FILE parameter, 20-30
- FILESIZE parameter, 20-31
- FROMUSER parameter, 20-31
- FULL parameter, 20-32
- grants
  - specifying for import, 20-32
- GRANTS parameter, 20-32
- HELP parameter, 20-32
- IGNORE parameter, 20-32
- importing grants, 20-32
- importing objects into other schemas, 20-8
- importing rows, 20-35
- importing tables, 20-37
- INDEXES parameter, 20-33
- INDEXFILE parameter, 20-33
- INSERT errors, 20-66
- invalid data, 20-66
- invoking, 20-4
- LOG parameter, 20-34
- LONG columns, 20-74
- manually creating tables before import, 20-9
- manually ordering tables, 20-10
- NLS\_LANG environment variable, 20-56
- object creation errors, 20-32
- online help, 20-6
- parameter file, 20-34
  - maximum size, 20-5
- parameter syntax, 20-29
- PARFILE parameter, 20-34
- partition-level, 20-14
- pattern matching of table names, 20-37
- preserving size of initial extent, 20-61
- read-only tablespaces, 20-58
- RECORDLENGTH parameter, 20-34
- records
  - specifying length, 20-34
- redirecting output to a log file, 20-53
- reducing database fragmentation, 20-60
- refresh error, 20-56
- remote operation, 20-54
- reorganizing tablespace during, 20-58
- resource errors, 20-67
- restrictions
  - importing into own schema, 20-6
- RESUMABLE parameter, 20-34
- RESUMABLE\_NAME parameter, 20-34
- RESUMABLE\_TIMEOUT parameter, 20-35
- reusing existing datafiles, 20-30
- rows
  - specifying for import, 20-35
- ROWS parameter, 20-35
- schema objects, 20-8
- sequences, 20-67
- SHOW parameter, 20-35
- single-byte character sets, 20-56
- SKIP\_UNUSABLE\_INDEXES parameter, 20-35
- snapshot master table, 20-56
- snapshots, 20-56
  - restoring dropped, 20-57
- specifying by user, 20-31
- specifying index creation commands, 20-33
- specifying the export file, 20-30
- STATISTICS parameter, 20-36
- storage parameters
  - overriding, 20-61
- stored functions, 20-74
- stored procedures, 20-74
- STREAMS\_CONFIGURATION parameter, 20-36
- STREAMS\_INSTANTIATION parameter, 20-36

- system objects, 20-8
- table name restrictions, 20-38
- table objects
  - import order, 20-9
- table-level, 20-14
- TABLES parameter, 20-37
- TABLESPACES parameter, 20-39
- TOID\_NOVALIDATE parameter, 20-39
- TOUSER parameter, 20-40
- TRANSPORT\_TABLESPACE parameter, 20-40
- TTS\_OWNER parameter, 20-40
- tuning considerations, 20-69
- types of errors during, 20-66
- user access privileges, 20-4
- USERID parameter, 20-41
- VOLSIZE parameter, 20-41
- incident
  - fault diagnosability infrastructure, 15-2
  - packaging, 15-10
- incident package
  - fault diagnosability infrastructure, 15-3
- INCLUDE parameter
  - Data Pump Export utility, 2-23
  - Data Pump Import utility, 3-17
- index options
  - SORTED INDEXES with SQL\*Loader, 8-29
  - SQL\*Loader SINGLEROW parameter, 8-30
- Index Unusable state
  - indexes left in Index Unusable state, 8-20, 11-9
- indexes
  - creating manually, 20-33
  - direct path load
    - left in direct load state, 11-9
  - dropping
    - SQL\*Loader, 11-18
  - estimating storage requirements, 11-9
  - exporting, 20-22
  - importing, 20-33
  - index-creation commands
    - Import, 20-33
  - left in unusable state, 8-20, 11-13
  - multiple-column
    - SQL\*Loader, 11-13
  - presorting data
    - SQL\*Loader, 11-13
  - skipping maintenance, 7-10, 11-18
  - skipping unusable, 7-11, 11-18
  - SQL\*Loader, 8-29
  - state after discontinued load, 8-20
  - unique, 20-33
- INDEXES parameter
  - Export utility, 20-22
  - Import utility, 20-33
- INDEXFILE parameter
  - Import utility, 20-33
- INFILE parameter
  - SQL\*Loader utility, 8-7
- insert errors
  - Import, 20-66
  - specifying, 7-4

- INSERT into table
  - SQL\*Loader, 8-25
- instance affinity
  - Export and Import, 20-59
- instance recovery, 11-11
- INTEGER datatype, 9-7
  - EXTERNAL format, 9-15
- integrity constraints
  - disabled during direct path load, 11-19
  - enabled during direct path load, 11-18
  - failed on Import, 20-66
  - load method, 11-7
- interactive method
  - Data Pump Export utility, 2-2
- internal LOBs
  - loading, 10-14
- interrupted loads, 8-18
- interval datatypes, 9-12
- INTO TABLE statement
  - effect on bind array size, 8-38
  - multiple statements with SQL\*Loader, 8-30
  - SQL\*Loader, 8-24
    - column names, 9-4
    - discards, 8-12
- invalid data
  - Import, 20-66
- invoking
  - Export, 20-4
    - at the command line, 20-4
    - direct path, 20-61
    - interactively, 20-6
    - with a parameter file, 20-5
  - Import, 20-4
    - as SYSDBA, 20-4
    - at the command line, 20-4
    - interactively, 20-6
    - with a parameter file, 20-5

## J

---

- Java Message Service (JMS), 21-10
- JOB\_NAME parameter
  - Data Pump Export utility, 2-24
  - Data Pump Import utility, 3-18

## K

---

- key values
  - generating with SQL\*Loader, 9-46
- KILL\_JOB parameter
  - Data Pump Export utility
    - interactive-command mode, 2-43
  - Data Pump Import utility, 3-46

## L

---

- leading whitespace
  - definition, 9-35
  - trimming and SQL\*Loader, 9-37
- length indicator
  - determining size, 8-36

- length subfield
  - VARCHAR DATA
    - SQL\*Loader, 9-10
- length-value datatypes, 9-6
- length-value pair specified LOBs, 10-20
- libraries
  - foreign function
    - exporting, 20-64
    - importing, 20-74
- little-endian data
  - external tables, 13-7
- LOAD parameter
  - SQL\*Loader command line, 7-7
- loading
  - collections, 10-22
  - column objects, 10-1
    - in variable record format, 10-2
    - with a derived subtype, 10-3
    - with user-defined constructors, 10-6
  - datafiles containing tabs
    - SQL\*Loader, 9-3
  - external table data
    - skipping records, 13-9
    - specifying conditions, 13-7, 13-10
  - into LONG RAW columns, 9-18
  - LOBs, 10-14
  - nested column objects, 10-3
  - object tables, 10-9
  - object tables with a subtype, 10-10
  - REF columns, 10-11
  - subpartitioned tables, 11-5
  - tables, 11-5
  - XML columns, 10-14
- LOB data, 6-7
  - compression during export, 20-17
  - Export, 20-63
  - in delimited fields, 10-15
  - in length-value pair fields, 10-16
  - in predetermined size fields, 10-15
- LOB read buffer
  - size of, 7-8
- LOBFILES, 6-7, 10-14, 10-17
- LOBs
  - loading, 10-14
- log files
  - after a discontinued load, 8-20
  - Export, 20-22, 20-53
  - Import, 20-34, 20-53
  - specifying for SQL\*Loader, 7-7
  - SQL\*Loader, 6-9
- LOG parameter
  - Export utility, 20-22
  - Import utility, 20-34
  - SQL\*Loader command line, 7-7
- LOGFILE parameter
  - Data Pump Export utility, 2-25
  - Data Pump Import utility, 3-19
- logical records
  - consolidating multiple physical records using
    - SQL\*Loader, 8-21
- LogMiner utility
  - accessing redo data of interest, 18-10
  - adjusting redo log file list, 18-26
  - analyzing output, 18-12
  - configuration, 18-2
  - considerations for reapplying DDL
    - statements, 18-25
  - current log file list
    - stored information about, 18-35
  - DBMS\_LOGMNR PL/SQL procedure and, 18-4
  - DBMS\_LOGMNR\_D PL/SQL procedure
    - and, 18-4
  - DBMS\_LOGMNR\_D.ADD\_LOGFILES PL/SQL
    - procedure and, 18-4
  - DBMS\_LOGMNR\_D.BUILD PL/SQL procedure
    - and, 18-4
  - DBMS\_LOGMNR\_D.END\_LOGMNR PL/SQL
    - procedure and, 18-5
  - DBMS\_LOGMNR.START\_LOGMNR PL/SQL
    - procedure and, 18-5
  - DDL tracking
    - time or SCN ranges, 18-33
  - determining redo log files being analyzed, 18-10
  - dictionary
    - purpose of, 18-3
  - dictionary extracted to flat file
    - stored information about, 18-34
  - dictionary options, 18-5
    - flat file and, 18-6
    - online catalog and, 18-5
    - redo log files and, 18-5
  - ending a session, 18-40
  - executing reconstructed SQL, 18-24
  - extracting data values from redo logs, 18-13
  - filtering data by SCN, 18-23
  - filtering data by time, 18-23
  - formatting returned data, 18-24
  - graphical user interface, 18-1
  - levels of supplemental logging, 18-27
  - LogMiner dictionary defined, 18-3
  - mining a subset of data in redo log files, 18-26
  - mining database definition for, 18-3
  - operations overview, 18-4
  - parameters
    - stored information about, 18-34
  - redo log files
    - on a remote database, 18-26
    - stored information about, 18-34
  - requirements for dictionary, 18-4
  - requirements for redo log files, 18-4
  - requirements for source and mining
    - databases, 18-3
  - restrictions with XMLType data, 18-17
  - sample configuration, 18-3
  - showing committed transactions only, 18-20
  - skipping corruptions, 18-22
  - source database definition for, 18-2
  - specifying redo log files to mine, 18-8
    - automatically, 18-9
    - manually, 18-9

- specifying redo logs for analysis, 18-38
- starting, 18-10, 18-39
- starting multiple times within a session, 18-25
- steps for extracting dictionary to a flat file, 18-8
- steps for extracting dictionary to redo log files, 18-7
- steps for using dictionary in online catalog, 18-6
- steps in a typical session, 18-37
- supplemental log groups, 18-27
  - conditional, 18-27
  - unconditional, 18-27
- supplemental logging, 18-26
  - database level, 18-27
    - database-level identification keys, 18-27
    - disabling database-level, 18-29
    - interactions with DDL tracking, 18-32
    - log groups, 18-27
    - minimal, 18-27
    - stored information about, 18-34
    - table-level identification keys, 18-29
    - table-level log groups, 18-30
    - user-defined log groups, 18-31
- support for transparent data encryption, 18-11
- supported database versions, 18-69
- supported datatypes, 18-68
- supported redo log file versions, 18-69
- suppressing delimiters in SQL\_REDO and SQL\_UNDO, 18-24
- table-level supplemental logging, 18-29
- tracking DDL statements, 18-31
  - requirements, 18-32
- unsupported datatypes, 18-69
- using the online catalog, 18-6
- using to analyze redo log files, 18-1
- V\$DATABASE view, 18-34
- V\$LOGMNR\_CONTENTS view, 18-4, 18-12, 18-19
- V\$LOGMNR\_DICTIONARY view, 18-34
- V\$LOGMNR\_LOGS view, 18-34
  - querying, 18-35
- V\$LOGMNR\_PARAMETERS view, 18-34
- views, 18-34
- LogMiner Viewer, 18-1
- LONG data
  - C language datatype LONG FLOAT, 9-8
  - exporting, 20-63
  - importing, 20-74
- LONG VARRAW datatype, 9-11

## M

---

- master tables
  - Oracle Data Pump API, 1-6
  - snapshots
    - original Import, 20-56
- materialized views, 20-56
- media recovery
  - direct path load, 11-11
- Metadata API, 19-1
  - enhancing performance, 19-14

- retrieving collections, 19-12
  - using to retrieve object metadata, 19-2
- missing data columns
  - SQL\*Loader, 8-28
- moving databases between platforms, 20-52
- multibyte character sets
  - blanks with SQL\*Loader, 9-25
  - SQL\*Loader, 8-13
- multiple-column indexes
  - SQL\*Loader, 11-13
- multiple-CPU systems
  - optimizing direct path loads, 11-17
- multiple-table load
  - generating unique sequence numbers using SQL\*Loader, 9-47
  - SQL\*Loader control file specification, 8-30
- multithreading
  - on multiple-CPU systems, 11-17
- MULTITHREADING parameter
  - SQL\*Loader command line, 7-7

## N

---

- named pipes
  - external table loads, 6-10
- native datatypes
  - conflicting length specifications
    - SQL\*Loader, 9-17
- nested column objects
  - loading, 10-3
- nested tables
  - exporting, 20-65
    - consistency and, 20-17
  - importing, 20-73
- NETWORK\_LINK parameter
  - Data Pump Export utility, 2-26
  - Data Pump Import utility, 3-20
- networks
  - Export and Import, 20-54
- NLS\_LANG environment variable, 20-55
  - with Export and Import, 20-56
- NOLOGFILE parameter
  - Data Pump Export utility, 2-27
  - Data Pump Import utility, 3-21
- nonrecoverable error messages
  - Export, 20-53
  - Import, 20-53
- nonscalar datatypes, 10-4
- NOT NULL constraint
  - load method, 11-7
- null data
  - missing columns at end of record during load, 8-28
  - unspecified columns and SQL\*Loader, 9-4
- NULL values
  - objects, 10-4
- NULLIF clause
  - SQL\*Loader, 9-23, 9-33
- NULLIF...BLANKS clause
  - SQL\*Loader, 9-24

- nulls
  - atomic, 10-5
  - attribute, 10-4
- NUMBER datatype
  - SQL\*Loader, 9-18, 9-19
- numeric EXTERNAL datatypes
  - delimited form and SQL\*Loader, 9-19
  - determining length, 9-22
  - SQL\*Loader, 9-15

## O

---

- object identifiers, 10-9
  - importing, 20-71
- object names
  - SQL\*Loader, 8-4
- object support, 6-12
- object tables
  - loading, 10-9
    - with a subtype
  - loading, 10-10
- object type definitions
  - exporting, 20-64
- OBJECT\_CONSISTENT parameter
  - Export utility, 20-22
- objects, 6-10
  - considerations for importing, 20-71
  - creation errors, 20-67
  - ignoring existing objects during import, 20-32
  - import creation errors, 20-32
  - loading nested column objects, 10-3
  - NULL values, 10-4
  - stream record format, 10-2
  - variable record format, 10-2
- offline locally managed tablespaces
  - exporting, 20-64
- OID
  - See* object identifiers
- online help
  - Export and Import, 20-6
- opaque\_format\_spec, 12-2
- operating systems
  - moving data to different systems using SQL\*Loader, 9-29
- OPTIMAL storage parameter
  - used with Export/Import, 20-60
- optimizer statistics, 20-68
- optimizing
  - direct path loads, 11-12
  - SQL\*Loader input file processing, 8-9
- OPTIONALLY ENCLOSED BY clause
  - SQL\*Loader, 9-36
- OPTIONS parameter
  - for parallel loads, 8-26
  - SQL\*Loader utility, 8-3
- Oracle Advanced Queuing
  - See* Advanced Queuing
- Oracle Data Pump
  - direct path loads
  - restrictions, 1-4

- master table, 1-6
- tuning performance, 4-2

- Oracle Data Pump API, 5-1
  - client interface, 5-1
  - job states, 5-1
  - monitoring job progress, 1-9
- ORACLE\_DATAPUMP access driver
  - effect of SQL ENCRYPT clause on, 14-4
  - reserved words, 14-1, 14-15
- ORACLE\_LOADER access driver
  - reserved words, 13-2, 13-29
- OWNER parameter
  - Export utility, 20-23

## P

---

- packages
  - creating, 15-11
- padding of literal strings
  - SQL\*Loader, 9-25
- parallel loads, 11-23
  - restrictions on direct path, 11-23
- PARALLEL parameter
  - Data Pump Export utility
    - command-line interface, 2-27
    - interactive-command mode, 2-44
  - Data Pump Import utility
    - command-line mode, 3-22
    - interactive-command mode, 3-46
  - SQL\*Loader command line, 7-7
- parameter files
  - Export, 20-23
  - Export and Import
    - comments in, 20-5
    - maximum size, 20-5
  - Import, 20-34
  - SQL\*Loader, 7-7
- PARFILE parameter
  - Data Pump Export utility, 2-28
  - Data Pump Import utility, 3-22
  - Export command line, 20-23
  - Import command line, 20-34
  - SQL\*Loader command line, 7-7
- PARTITION\_OPTIONS parameter
  - Data Pump Import utility, 3-23
- partitioned loads
  - concurrent conventional path loads, 11-22
  - SQL\*Loader, 11-22
- partitioned tables
  - export consistency and, 20-17
  - exporting, 20-14
  - importing, 20-15, 20-47
  - loading, 11-5
- partitioning a database migration, 20-76
  - advantages of, 20-76
  - disadvantages of, 20-76
  - procedure during export, 20-76
- partition-level Export, 20-14
  - example session, 20-45
- partition-level Import, 20-14



- specifying, 20-26
- pattern matching
  - table names during import, 20-37
- performance
  - improving when using integrity constraints, 11-22
  - issues when using external tables, 12-8
  - optimizing for direct path loads, 11-12
  - optimizing reading of SQL\*Loader datafiles, 8-9
  - tuning original Import, 20-69
- performance tuning
  - Oracle Data Pump, 4-2
- PIECED parameter
  - SQL\*Loader, 11-11
- POSITION parameter
  - using with data containing tabs, 9-3
  - with multiple SQL\*Loader INTO TABLE clauses, 8-32, 9-2, 9-3
- predetermined size fields
  - SQL\*Loader, 9-36
- predetermined size LOBs, 10-19
- prerequisites
  - SQL\*Loader, 11-1
- PRESERVE parameter, 8-22
- preserving
  - whitespace, 9-39
- PRIMARY KEY constraints
  - effect on direct path load, 11-26
- primary key OIDs
  - example, 10-9
- primary key REF columns, 10-12
- privileges
  - EXEMPT ACCESS POLICY
    - effect on direct path export, 20-62
  - required for Export and Import, 20-3
  - required for SQL\*Loader, 11-1
- problem
  - fault diagnosability infrastructure, 15-2
- problem key
  - fault diagnosability infrastructure, 15-2

## Q

---

- QUERY parameter
  - Data Pump Export utility, 2-29
  - Data Pump Import utility, 3-24
  - Export utility, 20-23
    - restrictions, 20-24
- quotation marks
  - escape characters and, 8-4
  - filenames and, 8-4
  - SQL strings and, 8-4
  - table names and, 20-27, 20-38
  - usage in Data Pump Export, 2-7
  - usage in Data Pump Import, 3-7
  - use with database object names, 8-4

## R

---

- RAW datatype

- SQL\*Loader, 9-16
- read-consistent export, 20-17
- read-only tablespaces
  - Import, 20-58
- READSIZE parameter
  - SQL\*Loader command line, 7-8
    - effect on LOBs, 7-8
    - maximum size, 7-8
- RECNUM parameter
  - use with SQL\*Loader SKIP parameter, 9-45
- RECORDLENGTH parameter
  - Export utility, 20-24
  - Import utility, 20-34
- records
  - consolidating into a single logical record
    - SQL\*Loader, 8-21
  - discarded by SQL\*Loader, 6-8, 8-11
  - DISCARDMAX command-line parameter, 7-4
  - distinguishing different formats for
    - SQL\*Loader, 8-31
  - extracting multiple logical records using
    - SQL\*Loader, 8-30
  - fixed format, 6-4
  - missing data columns during load, 8-28
  - rejected by SQL\*Loader, 6-8, 8-9
  - setting column to record number with
    - SQL\*Loader, 9-45
  - specifying how to load, 7-7
  - specifying length for export, 20-24
  - specifying length for import, 20-34
  - stream record format, 6-5
- recovery
  - direct path load
    - SQL\*Loader, 11-11
  - replacing rows, 8-26
- redo log file
  - LogMiner utility
    - versions supported, 18-69
- redo log files
  - analyzing, 18-1
  - requirements for LogMiner utility, 18-4
  - specifying for the LogMiner utility, 18-8
- redo logs
  - direct path load, 11-11
  - instance and media recovery
    - SQL\*Loader, 11-11
  - minimizing use during direct path loads, 11-14
  - saving space
    - direct path load, 11-15
- REF columns, 10-11
  - loading, 10-11
  - primary key, 10-12
  - system-generated, 10-12
- REF data
  - importing, 20-73
- referential integrity constraints
  - disabling for import, 20-10
  - SQL\*Loader, 11-18
- refresh error
  - snapshots

- Import, 20-56
- reject files
  - specifying for SQL\*Loader, 8-9
- rejected records
  - SQL\*Loader, 6-8, 8-9
- relative field positioning
  - where a field starts and SQL\*Loader, 9-36
  - with multiple SQL\*Loader INTO TABLE clauses, 8-31
- REMAP\_DATA parameter
  - Data Pump Export utility, 2-30
  - Data Pump Import utility, 3-25
- REMAP\_DATAFILE parameter
  - Data Pump Import utility, 3-26
- REMAP\_SCHEMA parameter
  - Data Pump Import utility, 3-27
- REMAP\_TABLE parameter
  - Data Pump Import utility, 3-28
- REMAP\_TABLESPACE parameter
  - Data Pump Import utility, 3-29
- Remote Method Invocation (RMI), 21-10
- remote operation
  - Export/Import, 20-54
- REPLACE table
  - replacing a table using SQL\*Loader, 8-26
- reserved words
  - external tables, 12-10
  - ORACLE\_DATAPUMP access driver, 14-1, 14-15
  - ORACLE\_LOADER access driver, 13-2, 13-29
  - SQL\*Loader, 6-3
- resource consumption
  - controlling in Data Pump Export utility, 4-2
  - controlling in Data Pump Import utility, 4-2
- resource errors
  - Import, 20-67
- RESOURCE role, 20-6
- restrictions
  - importing into another user's schema, 20-8
  - table names in Export parameter file, 20-27
  - table names in Import parameter file, 20-38
- RESUMABLE parameter
  - Export utility, 20-24
  - Import utility, 20-34
  - SQL\*Loader utility, 7-8
- resumable space allocation
  - enabling and disabling, 7-8, 20-24, 20-34
- RESUMABLE\_NAME parameter
  - Export utility, 20-25
  - Import utility, 20-34
  - SQL\*Loader utility, 7-8
- RESUMABLE\_TIMEOUT parameter
  - Export utility, 20-25
  - Import utility, 20-35
  - SQL\*Loader utility, 7-9
- retrieving object metadata
  - using Metadata API, 19-2
- REUSE\_DATAFILES parameter
  - Data Pump Import utility, 3-29
- REUSE\_DUMPFILERS parameter
  - Data Pump Export utility, 2-31

- roles
  - EXP\_FULL\_DATABASE, 20-4
  - RESOURCE, 20-6
- rollback segments
  - effects of CONSISTENT Export parameter, 20-17
- row errors
  - Import, 20-66
- ROWID columns
  - loading with SQL\*Loader, 11-2
- rows
  - choosing which to load using SQL\*Loader, 8-27
  - exporting, 20-25
  - specifying for import, 20-35
  - specifying number to insert before save
    - SQL\*Loader, 11-10
  - updates to existing rows with SQL\*Loader, 8-26
- ROWS parameter
  - Export utility, 20-25
  - Import utility, 20-35
  - performance issues
    - SQL\*Loader, 11-14
  - SQL\*Loader command line, 7-9
  - using to specify when data saves occur, 11-10

## S

---

- SAMPLE parameter
  - Data Pump Export utility, 2-31
- schema mode export
  - Data Pump Export utility, 2-3
- schemas
  - specifying for Export, 20-26
- SCHEMAS parameter
  - Data Pump Export utility, 2-32
  - Data Pump Import utility, 3-30
- scientific notation for FLOAT EXTERNAL, 9-16
- script files
  - running before Export and Import, 20-3
- SDFs
  - See secondary datafiles
- secondary datafiles, 6-7, 10-24
- SecureFiles
  - encryption during Data Pump export, 2-13
- security considerations
  - direct path export, 20-62
- segments
  - temporary
    - FILE parameter in SQL\*Loader, 11-25
- sequence numb, 9-46
- sequence numbers
  - cached, 20-63
  - exporting, 20-63
  - for multiple tables and SQL\*Loader, 9-47
  - generated by SQL\*Loader SEQUENCE clause, 9-46
  - generated, not read and SQL\*Loader, 9-4
- short records with missing data
  - SQL\*Loader, 8-28
- SHORTINT datatype
  - C language, 9-7

- SHOW parameter
  - Import utility, 20-35
- SILENT parameter
  - SQL\*Loader command line, 7-9
- single-byte character sets
  - Export and Import, 20-56
- SINGLEROW parameter, 8-30, 11-18
- single-table loads
  - continuing, 8-20
- SKIP parameter
  - effect on SQL\*Loader RECNUM specification, 9-45
  - SQL\*Loader command line, 7-10
- SKIP\_INDEX\_MAINTENANCE parameter
  - SQL\*Loader command line, 7-10, 11-18
- SKIP\_UNUSABLE\_INDEXES parameter
  - Import utility, 20-35
  - SQL\*Loader command line, 7-11, 11-18
- SKIP\_USABLE\_INDEXES parameter
  - Data Pump Import utility, 3-31
- skipping index maintenance, 7-10, 11-18
- skipping unusable indexes, 7-11, 11-18
- SMALLINT datatype, 9-7
- snapshot log
  - Import, 20-56
- snapshots, 20-57
  - importing, 20-56
  - master table
    - Import, 20-56
  - restoring dropped
    - Import, 20-57
- SORTED INDEXES clause
  - direct path loads, 8-29
  - SQL\*Loader, 11-13
- sorting
  - multiple-column indexes
    - SQL\*Loader, 11-13
  - optimum sort order
    - SQL\*Loader, 11-14
  - presorting in direct path load, 11-13
  - SORTED INDEXES clause
    - SQL\*Loader, 11-13
- SQL operators
  - applying to fields, 9-40
- SQL strings
  - applying SQL operators to fields, 9-40
  - quotation marks and, 8-4
- SQL\*Loader
  - appending rows to tables, 8-26
  - BAD command-line parameter, 7-2
  - bad file, 7-2
  - BADFILE parameter, 8-9
  - bind arrays and performance, 8-34
  - BINDSIZE command-line parameter, 7-2, 8-34
  - choosing which rows to load, 8-27
  - COLUMNARRAYROWS command-line parameter, 7-3
  - command-line parameters, 7-1
  - continuing single-table loads, 8-20
  - CONTROL command-line parameter, 7-3
  - conventional path loads, 6-9, 11-3
  - DATA command-line parameter, 7-3
  - data conversion, 6-7
  - data definition language
    - syntax diagrams, A-1
  - datatype specifications, 6-7
  - DATE\_CACHE command-line parameter, 7-3
  - determining default schema, 8-25
  - DIRECT command-line parameter, 11-8
  - direct path method, 6-9
    - using date cache feature to improve performance, 11-16
  - DISCARD command-line parameter, 7-4
  - discarded records, 6-8
  - DISCARDFILE parameter, 8-11
  - DISCARDMAX command-line parameter, 7-4
  - DISCARDMAX parameter, 8-12
  - DISCARDS parameter, 8-12
  - errors caused by tabs, 9-3
  - ERRORS command-line parameter, 7-4
  - exclusive access, 11-22
  - external table loads, 6-10
  - EXTERNAL\_TABLE parameter, 7-5
  - FILE command-line parameter, 7-6
  - filenames, 8-4
  - globalization technology, 8-13
  - index options, 8-29
  - inserting rows into tables, 8-25
  - INTO TABLE statement, 8-24
  - LOAD command-line parameter, 7-7
  - load methods, 11-1
  - loading column objects, 10-1
  - loading data across different platforms, 9-29
  - loading data contained in the control file, 9-44
  - loading object tables, 10-9
  - LOG command-line parameter, 7-7
  - log files, 6-9
  - methods of loading data, 6-9
  - multiple INTO TABLE statements, 8-30
  - MULTITHREADING command-line parameter, 7-7
  - object names, 8-4
  - parallel data loading, 11-23, 11-26
  - PARFILE command-line parameter, 7-7
  - READSIZE command-line parameter, 7-8
    - maximum size, 7-8
  - rejected records, 6-8
  - replacing rows in tables, 8-26
  - required privileges, 11-1
  - RESUMABLE parameter, 7-8
  - RESUMABLE\_NAME parameter, 7-8
  - RESUMABLE\_TIMEOUT parameter, 7-9
  - ROWS command-line parameter, 7-9
  - SILENT command-line parameter, 7-9
  - SINGLEROW parameter, 8-30
  - SKIP\_INDEX\_MAINTENANCE command-line parameter, 7-10
  - SKIP\_UNUSABLE\_INDEXES command-line parameter, 7-11
  - SORTED INDEXES during direct path loads, 8-29

- specifying columns, 9-4
- specifying datafiles, 8-6
- specifying field conditions, 9-23
- specifying fields, 9-4
- specifying more than one datafile, 8-8
- STREAMSIZE command-line parameter, 7-11
- suppressing messages, 7-9
- USERID command-line parameter, 7-12
- SQLFILE parameter
  - Data Pump Import utility, 3-31
- START\_JOB parameter
  - Data Pump Export utility
    - interactive-command mode, 2-44
  - Data Pump Import utility
    - interactive-command mode, 3-46
- starting
  - LogMiner utility, 18-10
- statistics
  - analyzer, 20-68
  - database optimizer
    - specifying for Export, 20-25
  - optimizer, 20-68
  - specifying for Import, 20-36
- STATISTICS parameter
  - Export utility, 20-25
  - Import utility, 20-36
- STATUS parameter
  - Data Pump Export utility, 2-33
    - interactive-command mode, 2-44
  - Data Pump Import utility, 3-32
    - interactive-command mode, 3-47
- STOP\_JOB parameter
  - Data Pump Export utility
    - interactive-command mode, 2-45
  - Data Pump Import utility
    - interactive-command mode, 3-47
- STORAGE parameter, 11-25
- storage parameters
  - estimating export requirements, 20-3
  - OPTIMAL parameter, 20-60
  - overriding
    - Import, 20-61
  - preallocating
    - direct path load, 11-12
  - temporary for a direct path load, 11-9
  - using with Export/Import, 20-60
- stored functions
  - importing, 20-74
    - effect of COMPILE parameter, 20-74
- stored package, 20-74
- stored packages
  - importing, 20-74
- stored procedures
  - direct path load, 11-21
  - importing, 20-74
    - effect of COMPILE parameter, 20-74
- stream buffer
  - specifying size for direct path, 11-15
- stream record format, 6-5
  - loading column objects in, 10-2
- Streams environment in Data Pump
  - setting buffer cache size, 4-3
- STREAMS\_CONFIGURATION parameter
  - Data Pump Import utility, 3-33
  - Import utility, 20-36
- STREAMS\_INSTANTIATION parameter
  - Import utility, 20-36
- STREAMSIZE parameter
  - SQL\*Loader command line, 7-11
- string comparisons
  - SQL\*Loader, 9-25
- subpartitioned tables
  - loading, 11-5
- subtypes
  - loading multiple, 8-33
- supplemental logging
  - LogMiner utility, 18-26
    - database-level identification keys, 18-27
    - log groups, 18-27
    - table-level, 18-29
    - table-level identification keys, 18-29
    - table-level log groups, 18-30
  - See also* LogMiner utility
- synonyms
  - direct path load, 11-7
  - exporting, 20-65
- syntax diagrams
  - Data Pump Export, 2-48
  - Data Pump Import, 3-49
  - SQL\*Loader, A-1
- SYSDATE parameter
  - SQL\*Loader, 9-45
- system objects
  - importing, 20-8
- system triggers
  - effect on import, 20-10
  - testing, 20-10
- system-generated OID REF columns, 10-12

## T

---

- table names
  - preserving case sensitivity, 20-27
- TABLE\_EXISTS\_ACTION parameter
  - Data Pump Import utility, 3-33
- table-level Export, 20-14
- table-level Import, 20-14
- table-mode Export
  - Data Pump Export utility, 2-3
  - specifying, 20-26
- table-mode Import
  - examples, 20-47
- tables
  - Advanced Queuing
    - exporting, 20-65
    - importing, 20-74
  - appending rows with SQL\*Loader, 8-26
  - defining before Import, 20-9
  - definitions
    - creating before Import, 20-9

- exclusive access during direct path loads
  - SQL\*Loader, 11-22
- external, 12-1
- importing, 20-37
- insert triggers
  - direct path load in SQL\*Loader, 11-20
- inserting rows using SQL\*Loader, 8-25
- loading data into more than one table using
  - SQL\*Loader, 8-30
- loading object tables, 10-9
- maintaining consistency during Export, 20-17
- manually ordering for Import, 20-10
- master table
  - Import, 20-56
- name restrictions
  - Export, 20-27
  - Import, 20-37, 20-38
- nested
  - exporting, 20-65
  - importing, 20-73
- objects
  - order of import, 20-9
- partitioned, 20-14
- replacing rows using SQL\*Loader, 8-26
- specifying for export, 20-26
- specifying table-mode Export, 20-26
- SQL\*Loader method for individual tables, 8-25
- truncating
  - SQL\*Loader, 8-26
- updating existing rows using SQL\*Loader, 8-26
  - See also* external tables
- TABLES parameter
  - Data Pump Export utility, 2-33
  - Data Pump Import utility, 3-34
  - Export utility, 20-26
  - Import utility, 20-37
- tablespace mode Export
  - Data Pump Export utility, 2-4
- tablespaces
  - dropping during import, 20-58
  - exporting a set of, 20-57
  - metadata
    - transporting, 20-40
  - read-only
    - Import, 20-58
  - reorganizing
    - Import, 20-58
- TABLESPACES parameter
  - Data Pump Export utility, 2-35
  - Data Pump Import utility, 3-35
  - Export utility, 20-27
  - Import utility, 20-39
- tabs
  - loading datafiles containing tabs, 9-3
  - trimming, 9-33
  - whitespace, 9-33
- temporary segments, 11-24
  - FILE parameter
    - SQL\*Loader, 11-25
- temporary storage in a direct path load, 11-9
- TERMINATED BY clause
  - WHITESPACE
    - SQL\*Loader, 9-19
  - with OPTIONALLY ENCLOSED BY, 9-36
- terminated fields
  - specified with a delimiter, 9-36
  - specified with delimiters and SQL\*Loader, 9-19
- time
  - SQL\*Loader datatypes for, 9-12
- TOID\_NOVALIDATE parameter
  - Import utility, 20-39
- TOUSER parameter
  - Import utility, 20-40
- trace files
  - viewing with ADRCLI, 15-9
- trailing blanks
  - loading with delimiters, 9-22
- TRAILING NULLCOLS parameter
  - SQL\*Loader utility, 8-3, 8-29
- trailing whitespace
  - trimming, 9-38
- TRANSFORM parameter
  - Data Pump Import utility, 3-36
- transparent data encryption
  - as handled by Data Pump Export, 2-15
  - as handled by Data Pump Import, 3-12
  - LogMiner support, 18-11
- TRANSPORT\_DATAFILES parameter
  - Data Pump Import utility, 3-38
- TRANSPORT\_FULL\_CHECK parameter
  - Data Pump Export utility, 2-35
  - Data Pump Import utility, 3-39
- TRANSPORT\_TABLESPACE parameter
  - Export utility, 20-27
  - Import utility, 20-40
- TRANSPORT\_TABLESPACES parameter
  - Data Pump Export utility, 2-36
  - Data Pump Import utility, 3-40
- transportable option
  - used during table-mode export, 2-34
- TRANSPORTABLE parameter
  - Data Pump Export utility, 2-37
  - Data Pump Import utility, 3-41
- transportable tablespaces, 20-57
- transportable-tablespace mode Export
  - Data Pump Export utility, 2-4
- triggers
  - database insert, 11-20
  - logon
    - effect in SQL\*Loader, 8-25
    - permanently disabled, 11-22
    - replacing with integrity constraints, 11-20
  - system
    - testing, 20-10
  - update
    - SQL\*Loader, 11-21
- TRIGGERS parameter
  - Export utility, 20-28
- trimming
  - summary, 9-34

- trailing whitespace
  - SQL\*Loader, 9-38
- TTS\_FULL\_CHECK parameter
  - Export utility, 20-28
- TTS\_OWNERS parameter
  - Import utility, 20-40

## U

---

- UNIQUE KEY constraints
  - effect on direct path load, 11-26
- unique values
  - generating with SQL\*Loader, 9-46
- unloading entire database
  - Data Pump Export utility, 2-3
- UNRECOVERABLE clause
  - SQL\*Loader, 11-15
- unsorted data
  - direct path load
    - SQL\*Loader, 11-13
- user mode export
  - specifying, 20-23
- USER\_SEGMENTS view
  - Export and, 20-3
- user-defined constructors, 10-6
  - loading column objects with, 10-6
- USERID parameter
  - Export utility, 20-28
  - Import utility, 20-41
  - SQL\*Loader command line, 7-12

## V

---

- V\$DATABASE view, 18-34
- V\$LOGMNR\_CONTENTS view, 18-12
  - formatting information returned to, 18-20
  - impact of querying, 18-13
  - information within, 18-10
  - limiting information returned to, 18-19
  - LogMiner utility, 18-4
  - requirements for querying, 18-10, 18-12
- V\$LOGMNR\_DICTIONARY view, 18-34
- V\$LOGMNR\_LOGS view, 18-10, 18-34
  - querying, 18-35
- V\$LOGMNR\_PARAMETERS view, 18-34
- V\$SESSION\_LONGOPS view
  - monitoring Data Pump jobs with, 1-9
- value datatypes, 9-6
- VARCHAR datatype
  - SQL\*Loader, 9-10
- VARCHAR2 datatype
  - SQL\*Loader, 9-18
- VARCHARC datatype
  - SQL\*Loader, 9-16
- VARGRAPHIC datatype
  - SQL\*Loader, 9-9
- variable records, 6-4
  - format, 10-2
- variable-length records
  - external tables, 13-5

- VARRAW datatype, 9-11
- VARRAWC datatype, 9-17
- VARRAY columns
  - memory issues when loading, 10-26
- VERSION parameter
  - Data Pump Export utility, 2-38
  - Data Pump Import utility, 3-41
- viewing
  - trace files with ADRCI, 15-9
- VOLSIZE parameter
  - Export utility, 20-28
  - Import utility, 20-41

## W

---

- warning messages
  - Export, 20-53
  - Import, 20-53
- WHEN clause
  - SQL\*Loader, 8-27, 9-23
  - SQL\*Loader discards resulting from, 8-12
- whitespace
  - included in a field, 9-37
  - leading, 9-35
  - preserving, 9-39
  - terminating a field, 9-19, 9-37
  - trimming, 9-33

## X

---

- XML columns
  - loading, 10-14
  - treatment by SQL\*Loader, 10-14
- XML type tables
  - identifying in SQL\*Loader, 8-5
- XMLTYPE clause
  - in SQL\*Loader control file, 8-5

## Z

---

- ZONED datatype, 9-8
- EXTERNAL format
  - SQL\*Loader, 9-15