



Sun™ Rack Cabinet Extension Installation Guide

For Sun Rack 900-38, 1000-38, and 1000-42

Sun Microsystems, Inc.
www.sun.com

Part No. 819-3235-10
November 2006, Revision A

Submit comments about this document at: <http://www.sun.com/hwdocs/feedback>

Copyright © 2006 Sun Microsystems, Inc., 4150 Network Circle, Santa Clara, California 95054, U.S.A. All rights reserved.

Sun Microsystems, Inc. has intellectual property rights relating to technology embodied in the product that is described in this document. In particular, and without limitation, these intellectual property rights may include one or more of the U.S. patents listed at <http://www.sun.com/patents> and one or more additional patents or pending patent applications in the U.S. and in other countries.

Sun, Sun Microsystems, the Sun logo, Netra, Sun Ray, Sun Rack and the SunTone Certified logo are trademarks or registered trademarks of Sun Microsystems, Inc. in the U.S. and other countries.

Use of any spare or replacement CPUs is limited to repair or one-for-one replacement of CPUs in products exported in compliance with U.S. export laws. Use of CPUs as product upgrades unless authorized by the U.S. Government is strictly prohibited.

DOCUMENTATION IS PROVIDED "AS IS" AND ALL EXPRESS OR IMPLIED CONDITIONS, REPRESENTATIONS AND WARRANTIES, INCLUDING ANY IMPLIED WARRANTY OF MERCHANTABILITY, FITNESS FOR A PARTICULAR PURPOSE OR NON-INFRINGEMENT, ARE DISCLAIMED, EXCEPT TO THE EXTENT THAT SUCH DISCLAIMERS ARE HELD TO BE LEGALLY INVALID.

Copyright © 2006 Sun Microsystems, Inc., 4150 Network Circle, Santa Clara, California 95054, Etats-Unis. Tous droits réservés.

Sun Microsystems, Inc. détient les droits de propriété intellectuelle relatifs à la technologie incorporée dans le produit qui est décrit dans ce document. En particulier, et ce sans limitation, ces droits de propriété intellectuelle peuvent inclure un ou plus des brevets américains listés à l'adresse <http://www.sun.com/patents> et un ou les brevets supplémentaires ou les applications de brevet en attente aux Etats - Unis et dans les autres pays.

Sun, Sun Microsystems, le logo Sun, Netra, Sun Ray, Sun Rack et le logo SunTone Certified sont des marques de fabrique ou des marques déposées de Sun Microsystems, Inc. aux Etats-Unis et dans d'autres pays.

L'utilisation de pieces detachees ou d'unites centrales de remplacement est limitee aux reparations ou a l'echange standard d'unites centrales pour les produits exportes, conformement a la legislation americaine en matiere d'exportation. Sauf autorisation par les autorites des Etats-Unis, l'utilisation d'unites centrales pour proceder a des mises a jour de produits est rigoureusement interdite.

LA DOCUMENTATION EST FOURNIE "EN L'ETAT" ET TOUTES AUTRES CONDITIONS, DECLARATIONS ET GARANTIES EXPRESSES OU TACITES SONT FORMELLEMENT EXCLUES, DANS LA MESURE AUTORISEE PAR LA LOI APPLICABLE, Y COMPRIS NOTAMMENT TOUTE GARANTIE IMPLICITE RELATIVE A LA QUALITE MARCHANDE, A L'APTITUDE A UNE UTILISATION PARTICULIERE OU A L'ABSENCE DE CONTREFACON.



Please
Recycle



Adobe PostScript

Contents

- Preface** vii
- 1. Preparing for Installation** 1
- About the Sun Rack Cabinet Extension 1
 - Cabinet Extension Dimensions 3
 - Parts List 3
 - Tools Required 3
- 2. Installing the Cabinet Extension on Racks with Gold Hinges** 5
- Preparing for Installation 5
 - Installing the Cabinet Extension on Racks with Gold Hinges 6
 - Installing the Cabinet Extension 7
- 3. Securing the Ground Cables and Stabilizer Feet** 11
- Securing the Stabilizer Feet 11
 - Connecting the Ground Cables 12
- 4. Installing the Cabinet Extension on the Front of Sun Racks With Silver Alloy Doors** 15
- Preparing for Installation 15
 - Removing the Silver Alloy Door 16
 - Installing the Gold Hinges on the Sun Rack 19

Figures

| | | |
|------------|---|----|
| FIGURE 1-1 | Comparison of Sun Rack Doors and Hinges | 2 |
| FIGURE 2-1 | Removing the Power, Deploying the Antitilt Bar and Lowering the Sun Rack Feet | 6 |
| FIGURE 2-2 | Removing the Purple Cabinet Door | 7 |
| FIGURE 2-3 | Installing Four Hinge Pins, the Cabinet Extension, and Angle Bracket Screws | 8 |
| FIGURE 2-4 | Lifting the Door onto the Sun Rack | 9 |
| FIGURE 3-1 | Securing the Cabinet Extension Stabilizer Feet | 11 |
| FIGURE 3-2 | Connecting the Cabinet Extension Ground Cables to the Sun Rack | 13 |
| FIGURE 4-1 | Deploying the Antitilt Bar and Lowering the Sun Rack Feet | 16 |
| FIGURE 4-2 | Removing the Silver Alloy Door and Ground Strap | 17 |
| FIGURE 4-3 | Removing the Silver Alloy Door Hinges and Latches | 18 |
| FIGURE 4-4 | Removing Four Gold Hinges from the Cabinet Extension | 19 |
| FIGURE 4-5 | Attaching the Gold Hinges to the Sun Rack | 20 |
| FIGURE 4-6 | Installing the Silver Alloy Hinges and Latches on the Cabinet Extension | 21 |
| FIGURE 4-7 | Installing the Cabinet Extension | 22 |

Preface

The *Sun Rack Cabinet Extension Installation Guide for Sun Rack 900-38, 1000-38, and 1000-42* describes how to install the cabinet extension. This document is written for users who have experience troubleshooting and replacing hardware.

Related Documentation

Find the following documents online at:

<http://www.sun.com/documentation/>

or:

http://www.sun.com/products-n-solutions/hardware/docs/peripherals/cabinets_racks/sun_rack/index.html

| Application | Title | Part Number | Format | Location |
|--------------------|--|--------------------|---------------|-----------------|
| Recent Changes | <i>Sun Rack Product Notes</i> | 819-7994 | PDF | Online |
| Service | <i>Sun Rack Service Manual</i> | 816-6387 | PDF | Online |
| Safety | <i>Sun Rack Safety and Regulatory Compliance Information</i> | 819-7096 | PDF | Online |

Documentation, Support, and Training

| Sun Function | URL |
|---------------|---|
| Documentation | http://www.sun.com/documentation/ |
| Support | http://www.sun.com/support/ |
| Training | http://www.sun.com/training/ |

Third-Party Web Sites

Sun is not responsible for the availability of third-party web sites mentioned in this document. Sun does not endorse and is not responsible or liable for any content, advertising, products, or other materials that are available on or through such sites or resources. Sun will not be responsible or liable for any actual or alleged damage or loss caused by or in connection with the use of or reliance on any such content, goods, or services that are available on or through such sites or resources.

Sun Welcomes Your Comments

Sun is interested in improving its documentation and welcomes your comments and suggestions. You can submit your comments by going to:

<http://www.sun.com/hwdocs/feedback>

Please include the title and part number of your document with your feedback:

Sun Rack Cabinet Extension Installation Guide for Sun Rack 900-38, 1000-38, and 1000-42, part number 819-3235-10

Preparing for Installation

About the Sun Rack Cabinet Extension

Ensure that you plan the installation process ahead of time. You may need to power-off systems and disconnect cables to install the cabinet extension.

You can install the Sun Rack cabinet extension on the front or the back of the Sun Rack 900-38, 1000-38, and 1000-42. The rear door hinges of all Sun Racks are identical ([FIGURE 1-1](#)).

To install the cabinet extension on the *front* of Sun racks with silver alloy doors, you need to replace the front hinges.

The Sun cabinet extension can be installed on older Sun Racks that have illuminated logos, but the logo will be partially blocked by the cabinet extension.



Caution – The cabinet extension cannot support the weight of an HVAC system. If you plan to install the cabinet extension on a Sun Rack 1042 with an HVAC rear door assembly, you must install the cabinet extension on the front of the Sun Rack.

Note – If you need to move a Sun Rack in the original shipping carton, you must remove the Sun Rack cabinet extension from the rack. The cabinet extension does not fit inside the top carton.

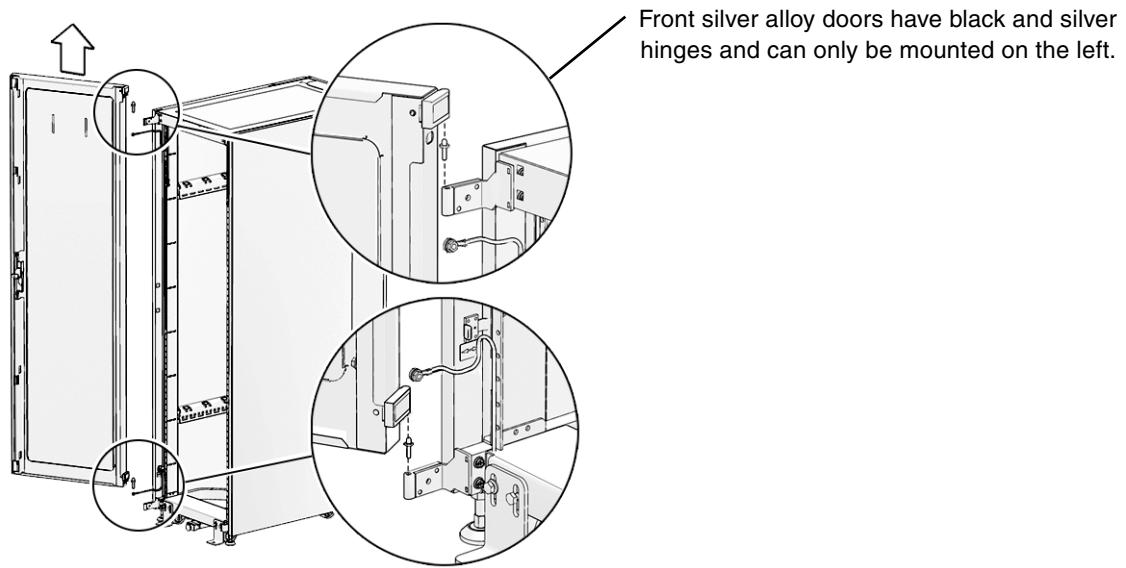
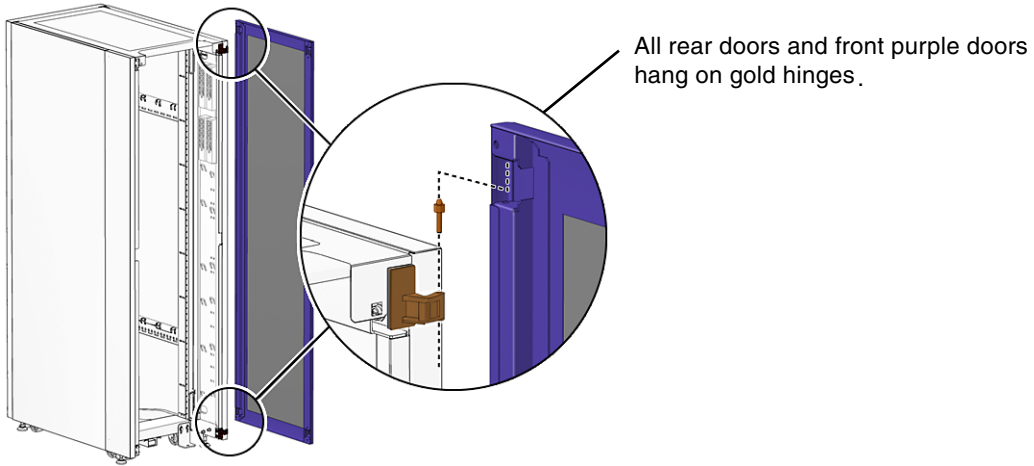


FIGURE 1-1 Comparison of Sun Rack Doors and Hinges

Cabinet Extension Dimensions

| Cabinet Extension | Height | Depth | Width | Weight |
|-------------------|-------------------|-----------------|--------------------|-------------------|
| 900-38 | 188 cm (74 in.) | 96 mm (3.8 in.) | 600 mm (23.62 in.) | 21.77 kg (48 lbs) |
| 1000-38 | 188 cm (74 in.) | 96 mm (3.8 in.) | 600 mm (23.62 in.) | 21.77 kg (48 lbs) |
| 1000-42 | 205.7 cm (81 in.) | 96 mm (3.8 in.) | 600 mm (23.62 in.) | 24.94 kg (55 lbs) |

Parts List

- Cabinet Extension with four hinges, two ground cables, and two stabilizing feet
- Four hinge pins
- Four M6 Phillips screws (pre-inserted in the cabinet extension)

Tools Required

- #3 Phillips screwdriver
- Large flat head screwdriver
- Small flat head screwdriver
- 10 mm wrench or a 10 mm socket wrench with offset socket adapter
- Adjustable crescent wrench (or one 13 mm and one 17 mm wrench)

Installing the Cabinet Extension on Racks with Gold Hinges

Use this procedure to install the extension on *the rear of all Sun Racks* and any rack with a front purple door.

If you need to install a cabinet extension on the front of a rack with the silver alloy doors, see: [“Installing the Cabinet Extension on the Front of Sun Racks With Silver Alloy Doors”](#) on page 15.

Preparing for Installation

- 1. If necessary, remove all power, and disconnect all power and data cables from the Sun Rack and installed equipment.**
Follow the manufacturer’s recommended shutdown procedures before removing power from any equipment.
- 2. Pull out the end of the antitilt bar to the fully extended position (FIGURE 2-1).**
- 3. Rotate the foot 90 degrees and adjust the height of the foot so that it rests on the floor.**
- 4. If necessary, lower the four cabinet feet to contact the floor.**

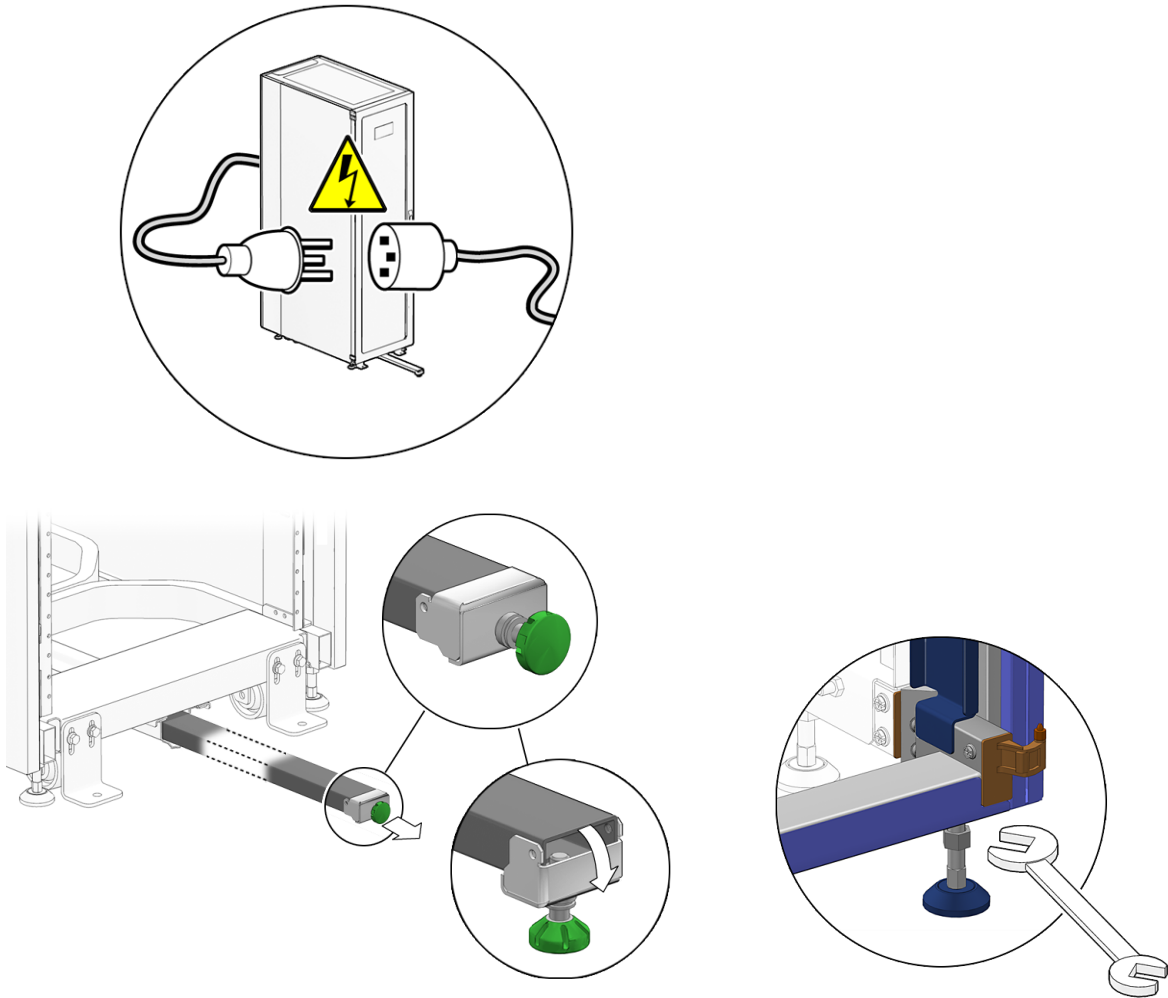


FIGURE 2-1 Removing the Power, Deploying the Antitilt Bar and Lowering the Sun Rack Feet

Installing the Cabinet Extension on Racks with Gold Hinges

Use this procedure to install the extension on the *rear of all Sun Racks*. This procedure should also be used for any rack with a front purple door.

If you need to install a cabinet extension on a rack with the silver alloy doors (and silver and black hinges) see: [“Installing the Cabinet Extension on the Front of Sun Racks With Silver Alloy Doors”](#) on page 15.



Caution – The cabinet extension weighs up to 55 lbs and may require two people to safely install.

Installing the Cabinet Extension

1. Determine whether you will extend the front or rear of the cabinet and open that door.
2. Using a 10 mm wrench, disconnect the ground cable from the door ([FIGURE 2-2](#)).

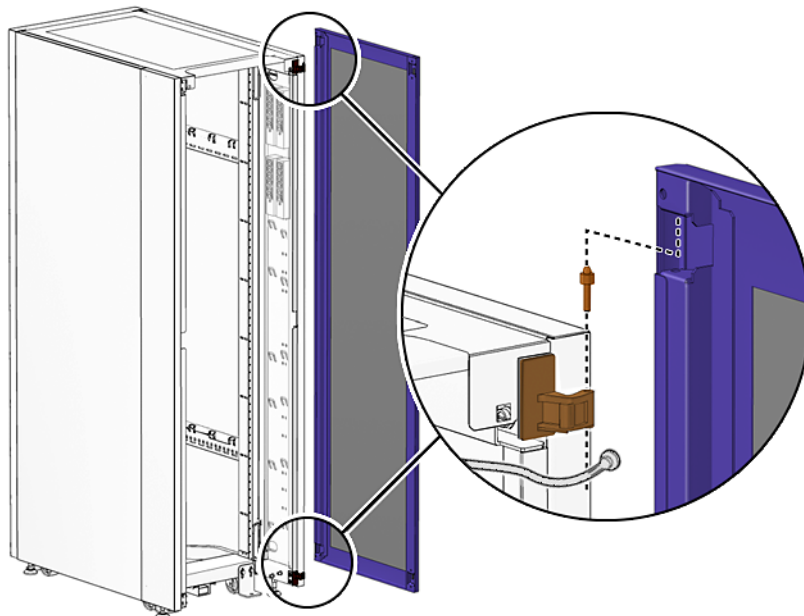


FIGURE 2-2 Removing the Purple Cabinet Door

3. Lift the door from the hinges and remove the door from the cabinet.
4. Install the two provided hinge pins onto the unused hinges, one on the top of the cabinet and one on the bottom of the cabinet ([FIGURE 2-3](#)).

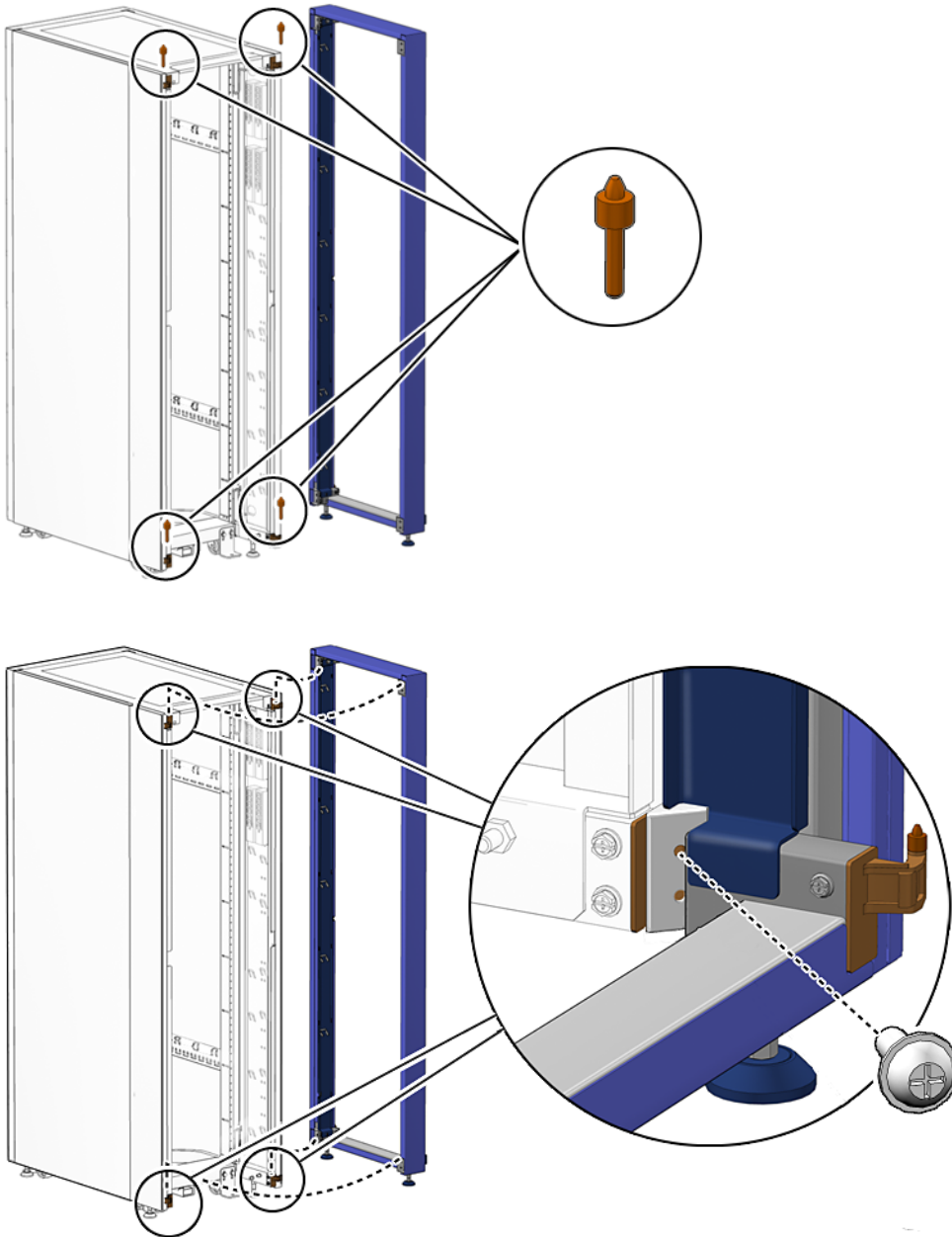


FIGURE 2-3 Installing Four Hinge Pins, the Cabinet Extension, and Angle Bracket Screws

5. Position the cabinet extension over all four hinge pins and lift the cabinet extension into place (FIGURE 2-3).
6. Secure the angle bracket phillips screws into the side of all four hinges (FIGURE 2-3).
7. Position the door over two of the hinge pins and lift the door onto the cabinet extension (FIGURE 2-4).

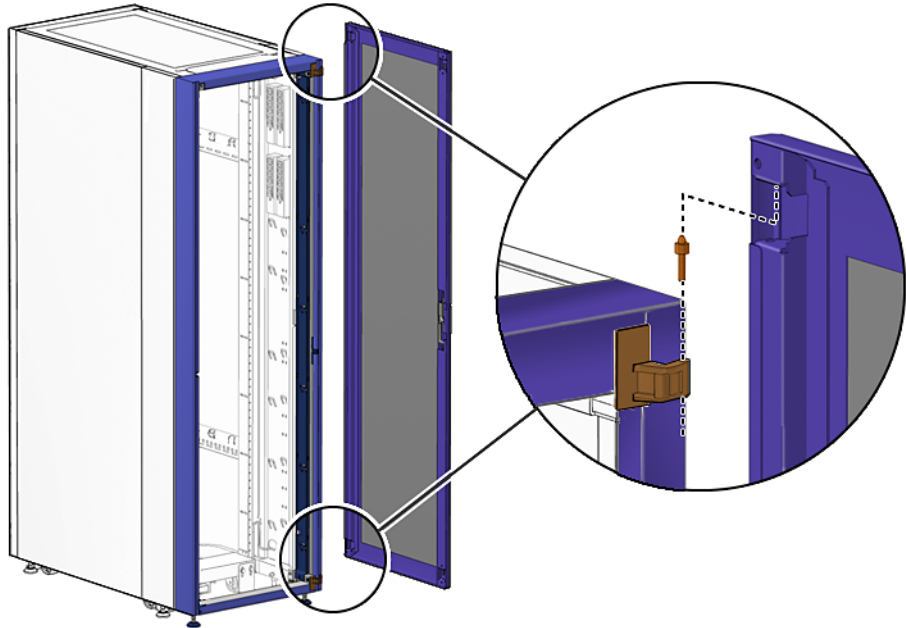


FIGURE 2-4 Lifting the Door onto the Sun Rack



Caution – The ground cables must be properly attached at three points: the Sun rack, the cabinet extension, and the door.

8. Secure the cabinet extension ground cables and stabilizer feet. See “Securing the Ground Cables and Stabilizer Feet” on page 11.

Securing the Ground Cables and Stabilizer Feet

Securing the Stabilizer Feet

1. Using an adjustable wrench or a small flat blade screwdriver, adjust the cabinet extension feet ([FIGURE 3-1](#)).
2. Secure the lock nut with a crescent wrench (or one 13 mm and one 17 mm open end wrench).

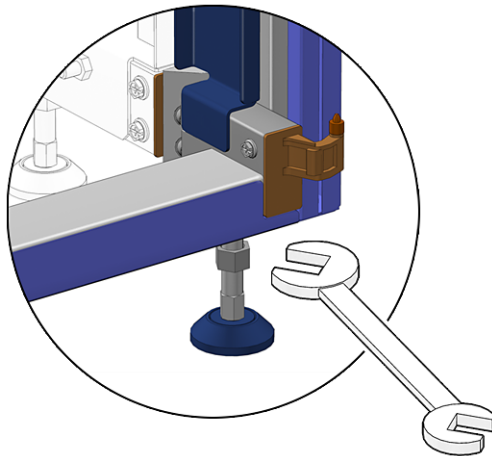


FIGURE 3-1 Securing the Cabinet Extension Stabilizer Feet

Connecting the Ground Cables



Caution – The ground cables must be properly attached at three points on the Sun rack, the cabinet extension, and the door.

Both ends of the cabinet extension cable are screwed into the extension for shipping (FIGURE 3-2).

If the door is hung on the left hinges, use the top ground cables. If the door is hung on the right hinges, connect the bottom ground cable. Racks with silver alloy doors only allow the front door to be hung on the left side.

1. Using a 10 mm wrench, disconnect the front portion of the ground cable. This part will attach to the door (FIGURE 3-2).
2. Connect the original rack cabinet ground cable to the cabinet extension (FIGURE 3-2).
3. Connect the cabinet extension ground cable to the door at the top or the bottom of the door.

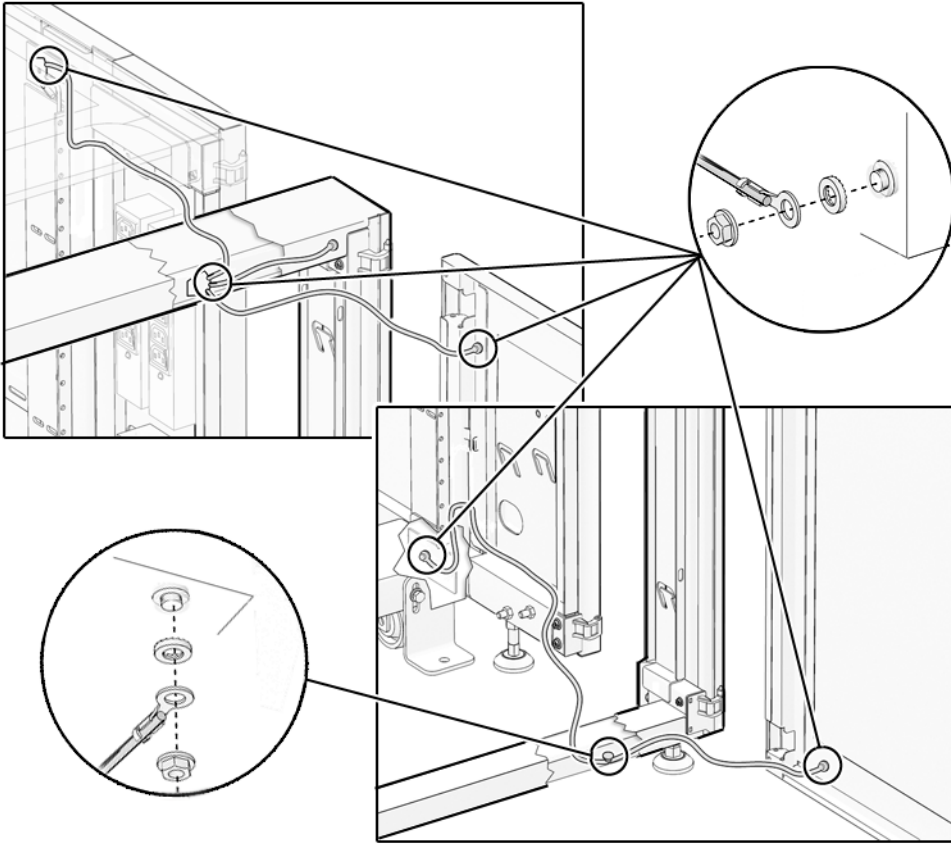


FIGURE 3-2 Connecting the Cabinet Extension Ground Cables to the Sun Rack

Installing the Cabinet Extension on the Front of Sun Racks With Silver Alloy Doors

The front silver alloy doors can only be installed on the left side of the Sun Rack. The black and silver alloy front hinges are different than all other Sun Rack hinges. You must replace the alloy hinges with the gold hinges to install the cabinet extension. You will then install the original black and silver alloy hinges on the front of the cabinet extension.

Preparing for Installation

- 1. If necessary, remove all power, and disconnect all power and data cables from the Sun Rack and installed equipment.**
Follow the manufacturer's recommended shutdown procedures before removing power from any equipment.
- 2. Pull out the end of the antitilt bar to the fully extended position (FIGURE 4-1).**
- 3. Rotate the foot 90 degrees and adjust the height of the foot so that it rests on the floor.**
- 4. If necessary, lower the four cabinet feet to contact the floor.**

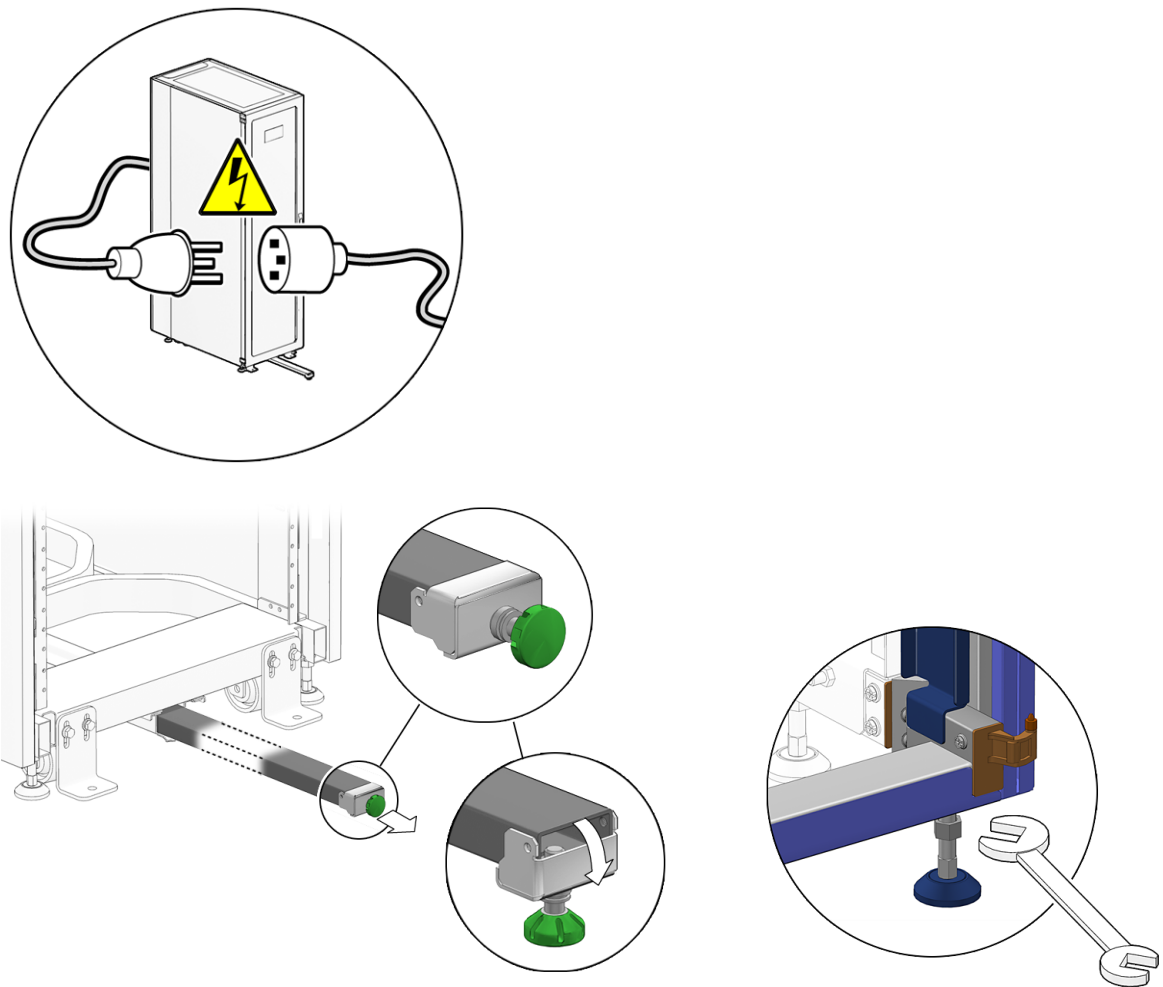


FIGURE 4-1 Deploying the Antitilt Bar and Lowering the Sun Rack Feet

Removing the Silver Alloy Door

1. Using a 10 mm wrench, disconnect the front portion of the ground cable from the front door (FIGURE 4-2).
2. Lift the front silver alloy door off the hinges.

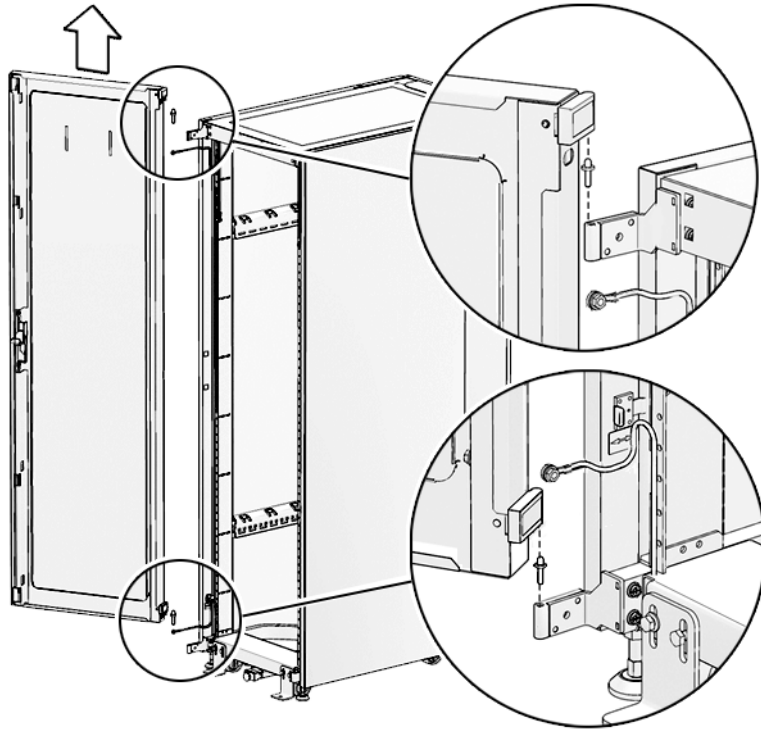


FIGURE 4-2 Removing the Silver Alloy Door and Ground Strap

3. Using a screwdriver or wrench, remove the two black and silver hinges from the front of the Sun Rack ([FIGURE 4-3](#)).
4. Remove the two black latches from the front of the Sun Rack ([FIGURE 4-3](#)). The latches are pressure-fitted and may require some effort to remove.

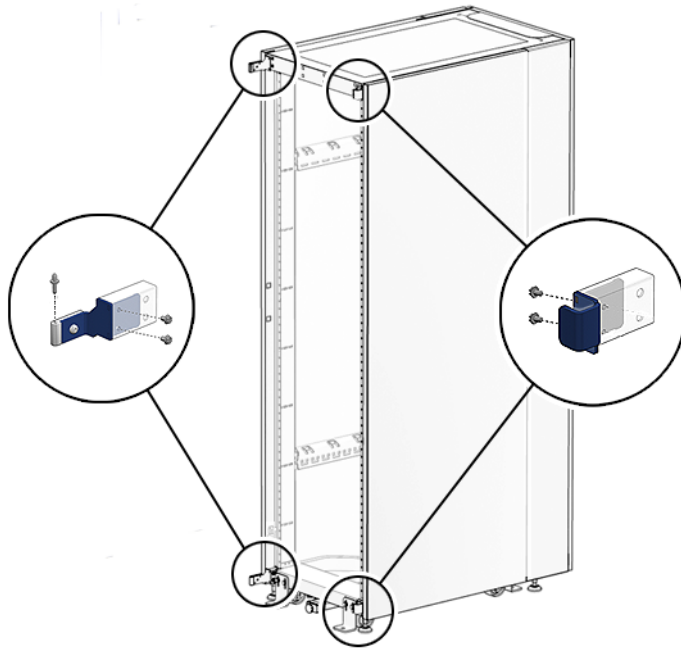


FIGURE 4-3 Removing the Silver Alloy Door Hinges and Latches

Note – Before you remove the gold hinges from the cabinet extension, be sure to look at the angle of the hinges. The cylinders always face away from the cabinet.

5. Remove all four gold hinges from the front of the cabinet extension ([FIGURE 4-4](#)).

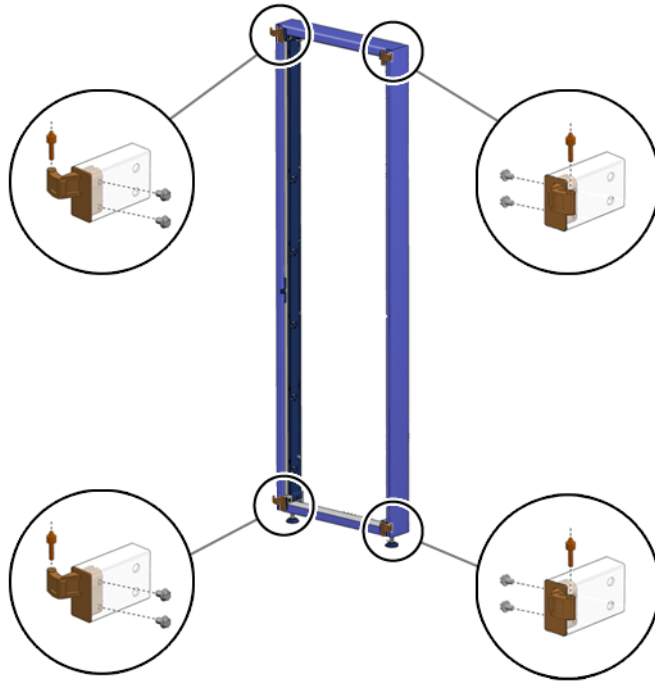


FIGURE 4-4 Removing Four Gold Hinges from the Cabinet Extension

Installing the Gold Hinges on the Sun Rack

6. Install the gold hinges onto the Sun Rack where the black hinges and latches were mounted (FIGURE 4-5).

Ensure that the hinges are mounted so that the hinge cylinders face to the outside of the extension.

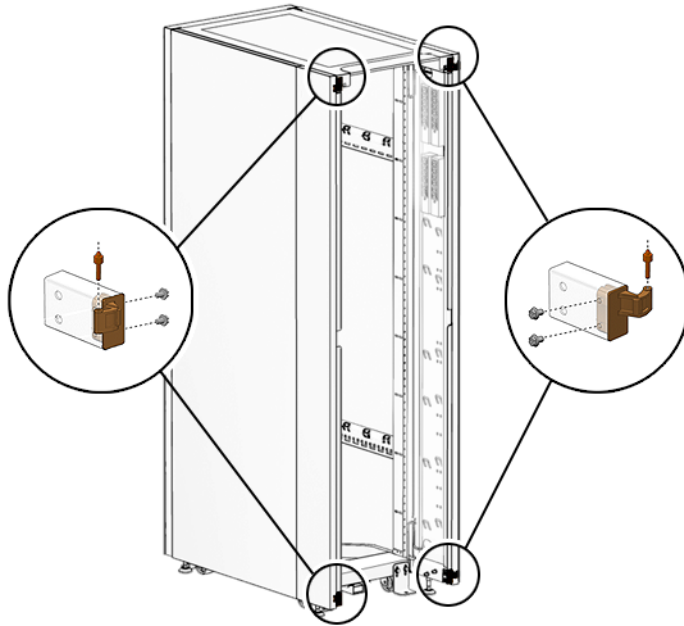


FIGURE 4-5 Attaching the Gold Hinges to the Sun Rack

7. Remove the four gold pins from the package and place them into the gold hinges.
8. Install the two black latches on the right front of the cabinet extension (FIGURE 4-6).
9. Install the black and silver hinges on the left front of the cabinet extension.

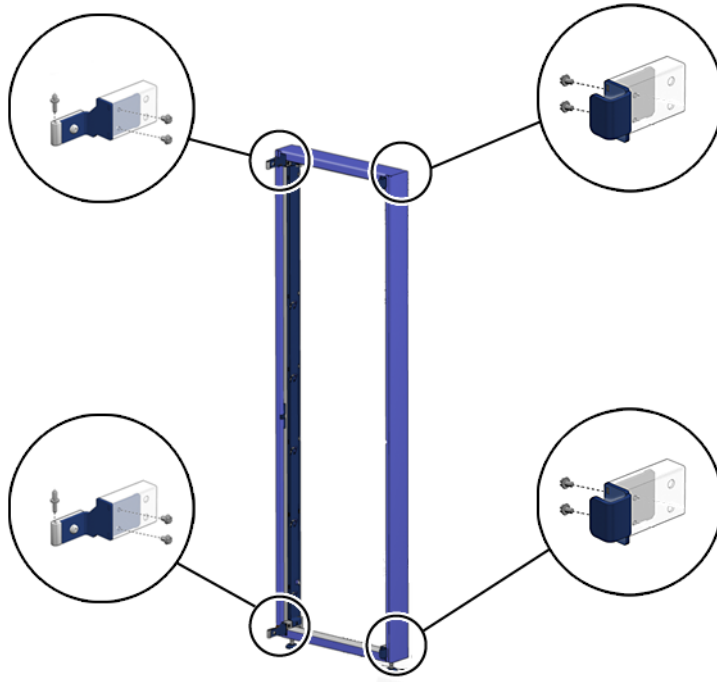


FIGURE 4-6 Installing the Silver Alloy Hinges and Latches on the Cabinet Extension

10. Position the cabinet extension over all four gold hinge pins and lift the cabinet extension into place (FIGURE 4-7).
11. Secure the four phillips screws into the sides of all four hinges.

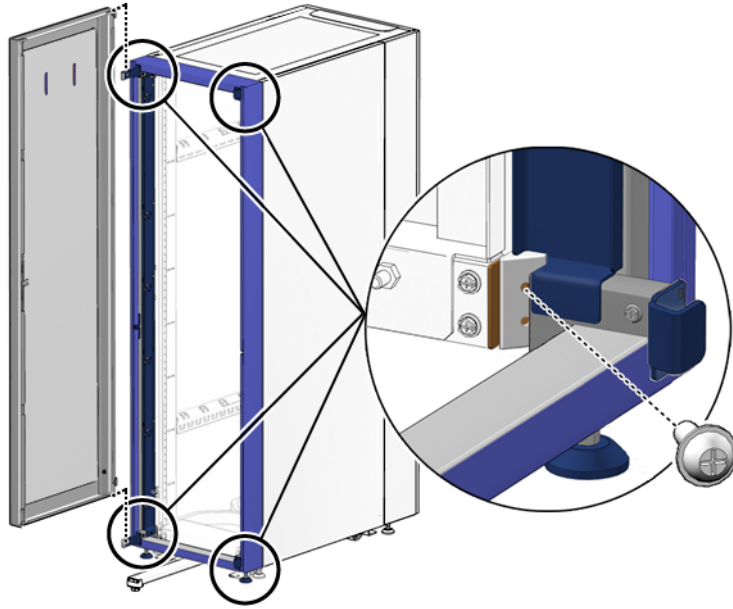


FIGURE 4-7 Installing the Cabinet Extension

12. On the cabinet extension, insert the small hinge pin in the top left hinge and the longer hinge pin in the bottom left hinge.
13. Position the silver alloy door over the two hinge pins and lift the door onto the cabinet extension ([FIGURE 4-7](#)).

Caution – The ground cables must be properly attached at three points on the Sun rack, the cabinet extension, and the door.

14. Secure the stabilizing feet and the ground cables as described in [“Securing the Ground Cables and Stabilizer Feet”](#) on page 11.