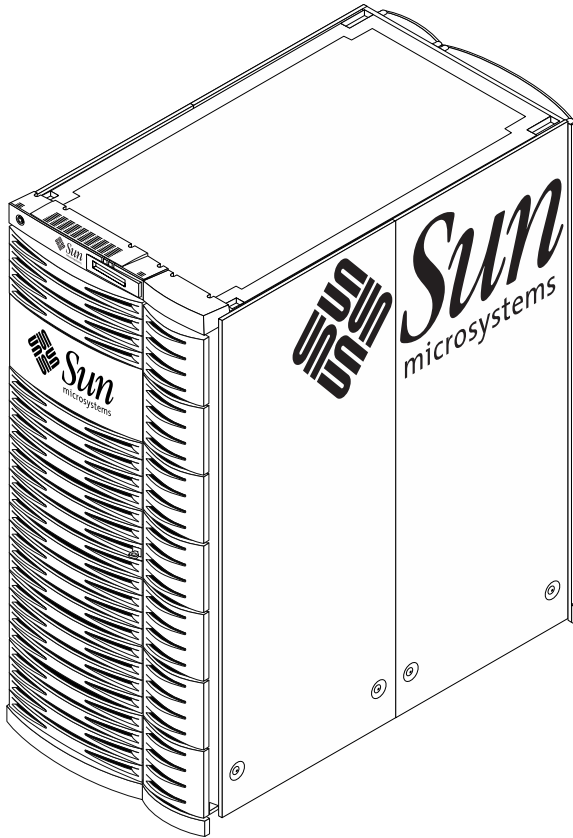


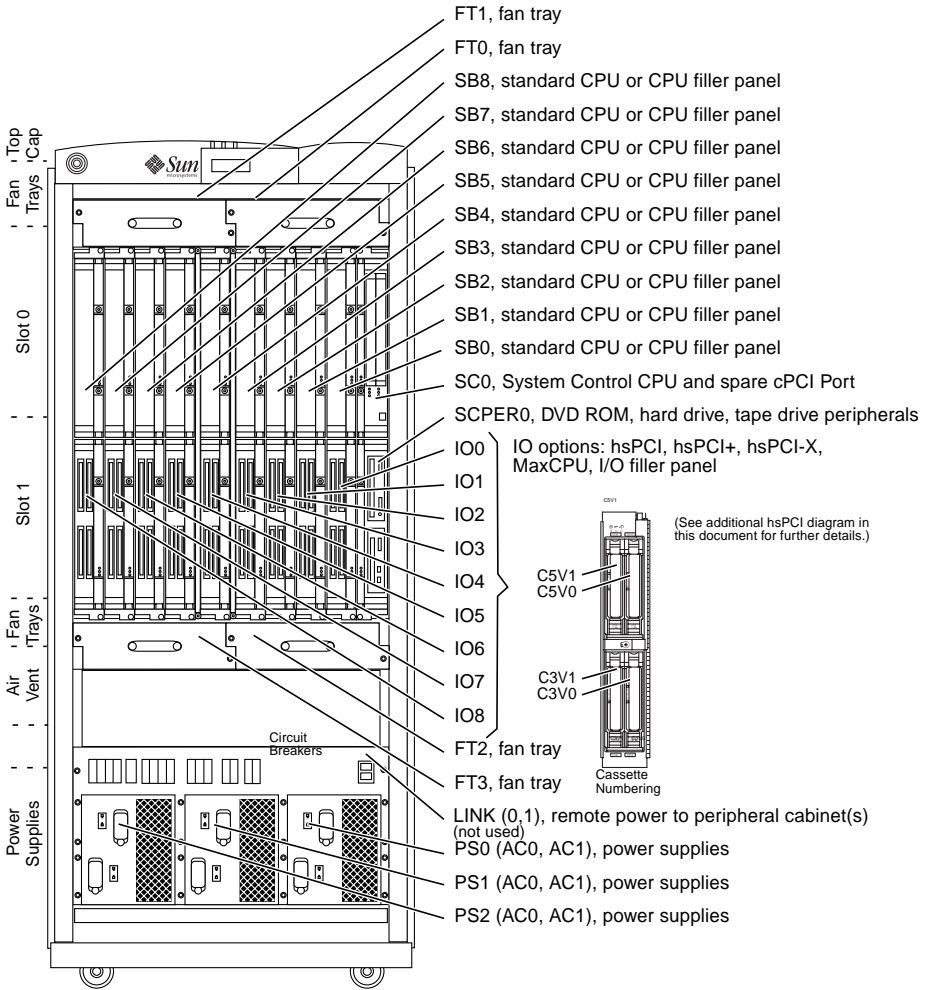


Sun Fire™ 15K/12k Systems

Service Reference II Component Numbering

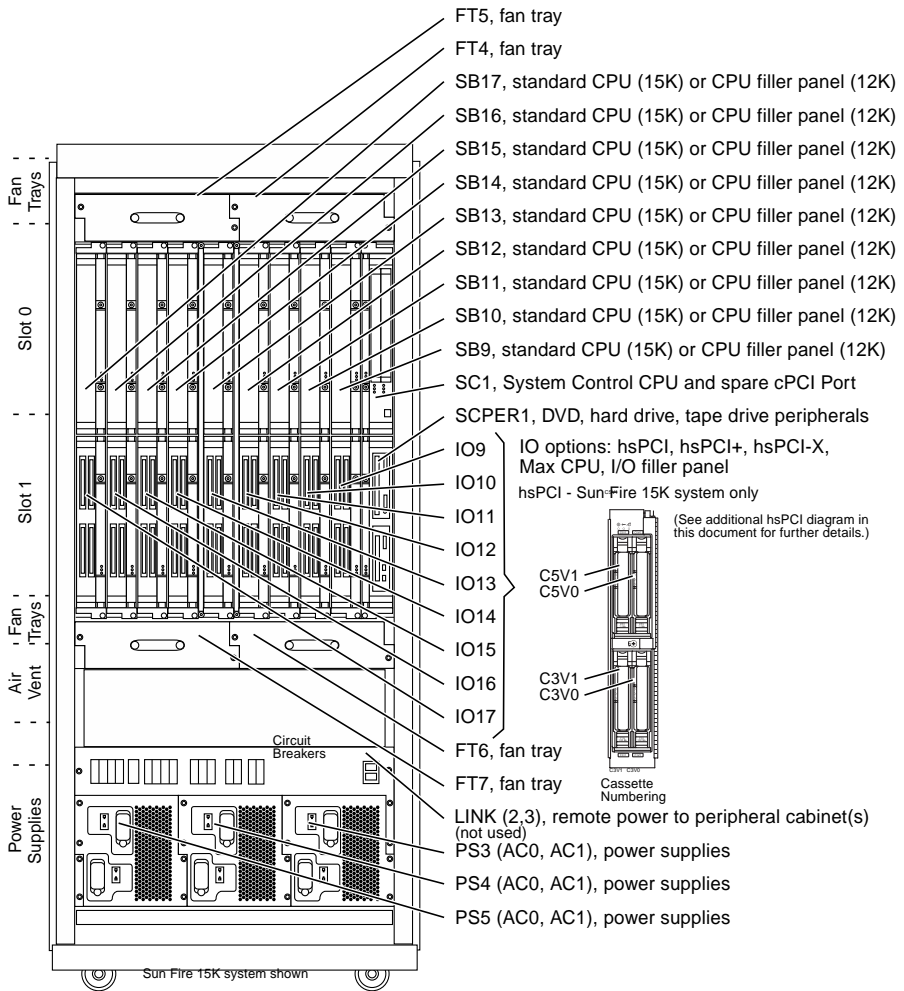


This System Service Reference II has been prepared as a quick-reference guide to the established nomenclature used for the Sun Fire 15K/12K systems. For additional detailed information, refer to the *Sun Fire 15K/12K Systems Service Manual*, part number 806-3512.



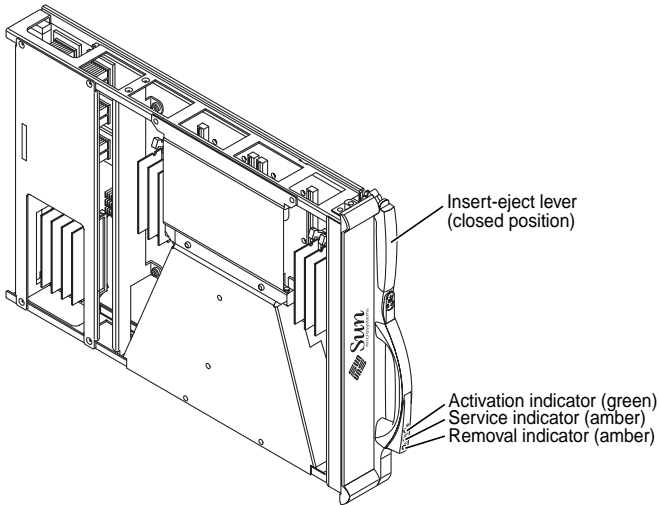
System Component Numbering—Front

The rear of the Sun Fire 15K/12K systems are essentially the same except the standard CPUs and the IOs slots are filled with CPU filler panels and IO filler panels in the Sun Fire 12K system.

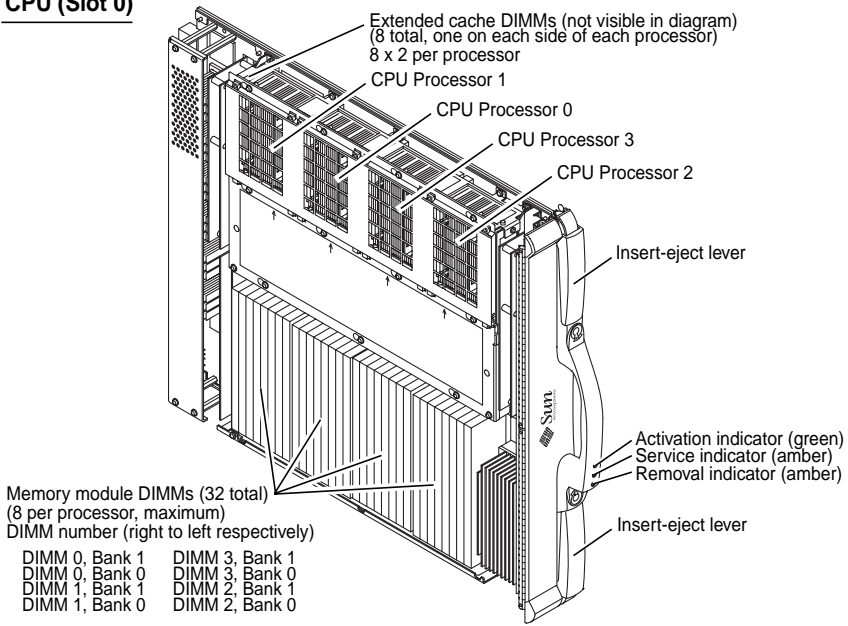


System Component Numbering—Rear

MaxCPU (Slot 1)



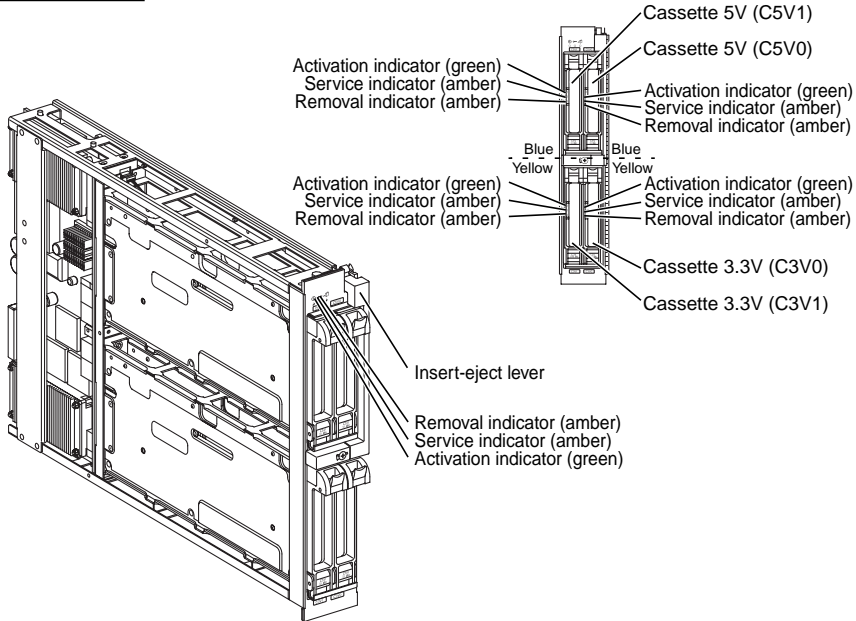
CPU (Slot 0)



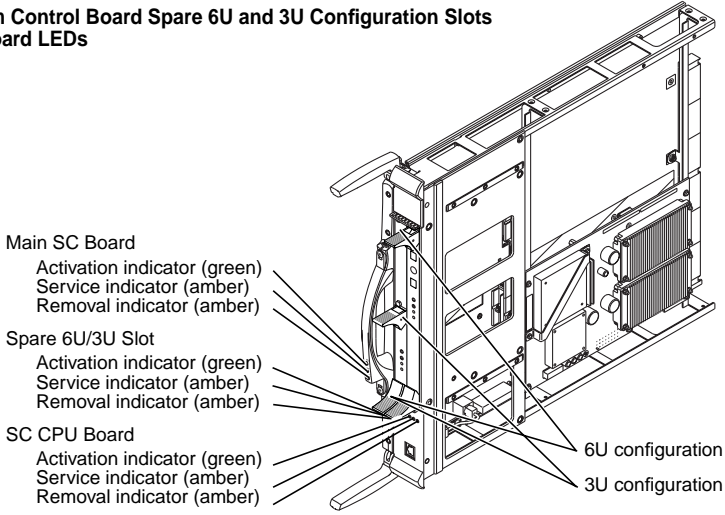
Slot 1 Board Component Numbering

hsPCI (Slot 1)

hsPCI I/O Cassettes and LEDs



System Control Board Spare 6U and 3U Configuration Slots and Board LEDs



Slot 0 and Slot 1 Board Component Numbering

Accessing Sun Documentation

You can view, print, or purchase a broad selection of Sun documentation, including localized versions, at:

<http://www.sun.com/documentation>

Third-Party Web Sites

Sun is not responsible for the availability of third-party web sites mentioned in this document. Sun does not endorse and is not responsible or liable for any content, advertising, products, or other materials that are available on or through such sites or resources. Sun will not be responsible or liable for any actual or alleged damage or loss caused by or in connection with the use of or reliance on any such content, goods, or services that are available on or through such sites or resources.

Contacting Sun Technical Support

If you have technical questions about this product that are not answered in this document, go to:

<http://www.sun.com/service/contacting>

Sun Welcomes Your Comments

Sun is interested in improving its documentation and welcomes your comments and suggestions. You can submit your comments by going to:

<http://www.sun.com/hwdocs/feedback>

Please include the title and part number of your document with your feedback:

Sun Fire 15K/12K, part number 806-3514-12

Copyright 2006 Sun Microsystems, Inc. All rights reserved. Use is subject to license terms. Third-party software, including font technology, is copyrighted and licensed from Sun suppliers. Portions may be derived from Berkeley BSD systems, licensed from U. of CA. Sun, Sun Microsystems, the Sun logo, Java, Sun Fire, and Solaris are trademarks or registered trademarks of Sun Microsystems, Inc. in the U.S. and in other countries. All SPARC trademarks are used under license and are trademarks or registered trademarks of SPARC International, Inc. in the U.S. and in other countries. U.S. Government Rights—Commercial use. Government users are subject to the Sun Microsystems, Inc. standard license agreement and applicable provisions of the FAR and its supplements.

Copyright 2006 Sun Microsystems, Inc. Tous droits réservés. Distribué par des licences qui en restreignent l'utilisation. Tout logiciel tiers, sa technologie relative aux polices de caractères comprise, est protégé par un copyright et licencié par des fournisseurs de Sun. Des parties de ce produit peuvent dériver des systèmes Berkeley BSD licenciés par l'Université de Californie. Sun, Sun Microsystems, le logo Sun, Java, Sun Fire, et Solaris sont des marques de fabrique ou des marques déposées de Sun Microsystems, Inc. aux États-Unis et dans d'autres pays. Toutes les marques SPARC sont utilisées sous licence et sont des marques de fabrique ou des marques déposées de SPARC International, Inc. aux États-Unis et dans d'autres pays.



Sun Microsystems, Inc.
www.sun.com