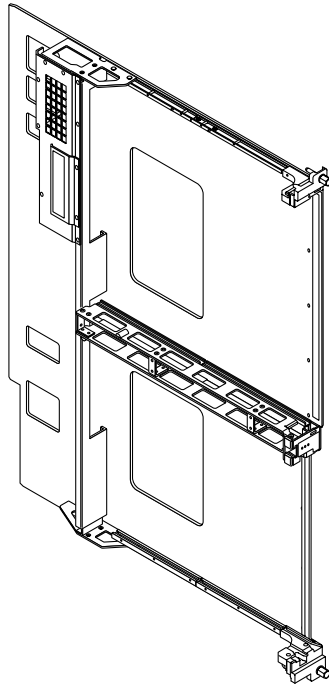


Sun Fire™ 15K/12K Systems Carrier Plate Configurations



Carrier Plate Replacement and Modifications

Contents:

Part Number	Qty.	Description
816-0768	1	FRU Service Document for Carrier Plate Configurations
540-4085	1	Carrier plate assembly, standard configuration
240-3998	9	M3x8 mm flathead screws
240-4013	2	M3x35 mm flathead screws
250-1620	1	EMI metal gasket

The Sun™ Fire 15K/12K systems have three varieties of system carrier plate configurations to accommodate the connector locations on the Sun™ Fireplane. This field-replaceable unit (FRU) contains the reconfigurable parts to be used with the standard carrier plate for the three types of carrier plate slots.

- Standard configuration for slots 1-3, 6-8, 10-12, and 15-17, p/n 540-4085
- Configuration modification for system slots 0 and 9, p/n 540-4427
- Configuration modification for system slots 4, 5, 13, and 14, p/n 540-4428

Review “*Inserting a Board Set Carrier Plate*” in the *Sun Fire 15K/12K Systems Service Manual* prior to handling the system carrier plates.

Note – Be sure you are properly grounded before you begin the hardware removal and installation. There are four ground points on the system cabinet, two at the front top left and top right, and two at the rear top left and top right.

Carrier Plate Replacement for Standard Configurations, Slots 1, 2, 3, 6, 7, 8, 10, 11, 12, 15, 16, and 17

1. Remove the carrier plate from the system.

Follow the instructions in “*Removing an Expander Board*” and “*Installing an Expander Board*” in the *Sun Fire 15K/12K Systems Service Manual*.

2. Remove the expander board from the carrier plate, as required, and set aside. No changes are required for standard carrier plate configurations.

Note – The Sun Fire 15K system has an expander board installed on each carrier plate. The Sun Fire 12K system only has an expander installed on the slot 0 through slot 8 carrier plates.

3. Re-install the expander board, as required, on the new carrier plate.

4. Install the new carrier plate into the system.

5. Discard any remaining hardware supplied with the FRU package.

Carrier Plate Replacement for Configuration of Slots 0 and 9

This configuration is for the slots on the left sides of the system controllers.

1. Remove the carrier plate from the system.

Follow the instructions in “*Removing an Expander Board*” and “*Installing an Expander Board*” in the *Sun Fire 15K/12K Systems Service Manual*.

2. Remove the expander board from the carrier plate, as required, and set aside. No changes are required for standard carrier plate configurations.

3. Remove the two (2) M3x20 flathead screws securing the T rail guide of the new carrier plate, to the center guide bracket of the new carrier plate and discard. See Figure 1. These items are not needed for this configuration.

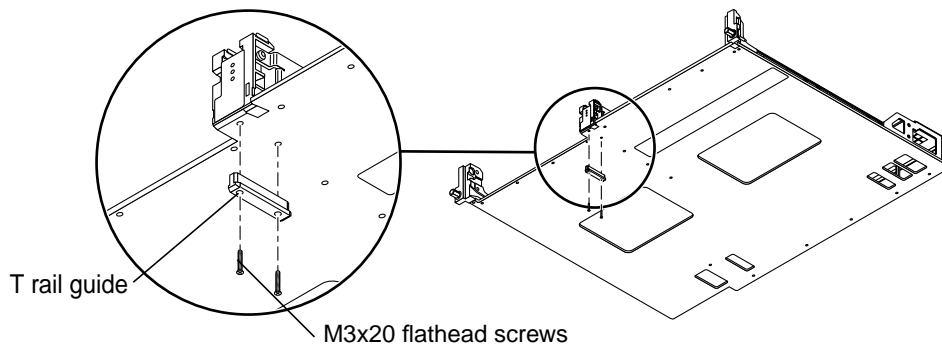


FIGURE 1 Removing the T Rail Guide

4. Install one (1) M3x8 flathead screw from the FRU package to secure the center guide bracket to the new carrier plate. See Figure 2. Discard the remaining eight screws.

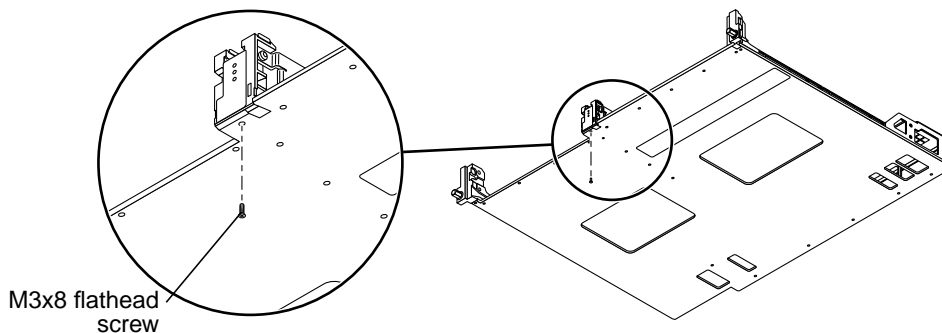


FIGURE 2 Securing the Center Guide Bracket After the T Rail Guide Removal

5. Re-install the expander board, as required, on the new carrier plate.

6. Install the carrier plate into the system.

7. Discard any remaining hardware supplied with the FRU package.

Carrier Plate Replacement for Configuration of Slots 4, 5, 13, and 14

This configuration is for the slots in the center of the carrier plate card cage.

1. Remove the carrier plate from the system.

Follow the instructions in “*Removing an Expander Board*” and “*Installing an Expander Board*” in the *Sun Fire 15K/12K Systems Service Manual*.

2. Remove the expander board from the carrier plate, as required, and set aside. No changes are required for standard carrier plate configurations.

3. Remove the two (2) M3x20 flathead screws securing the T rail guide of the new carrier plate, to the center guide bracket of the new carrier plate and discard. These items are not needed for this configuration. See Figure 1.

4. Remove the card cage filler panel assembly from the existing carrier plate and set aside. See Figure 3.

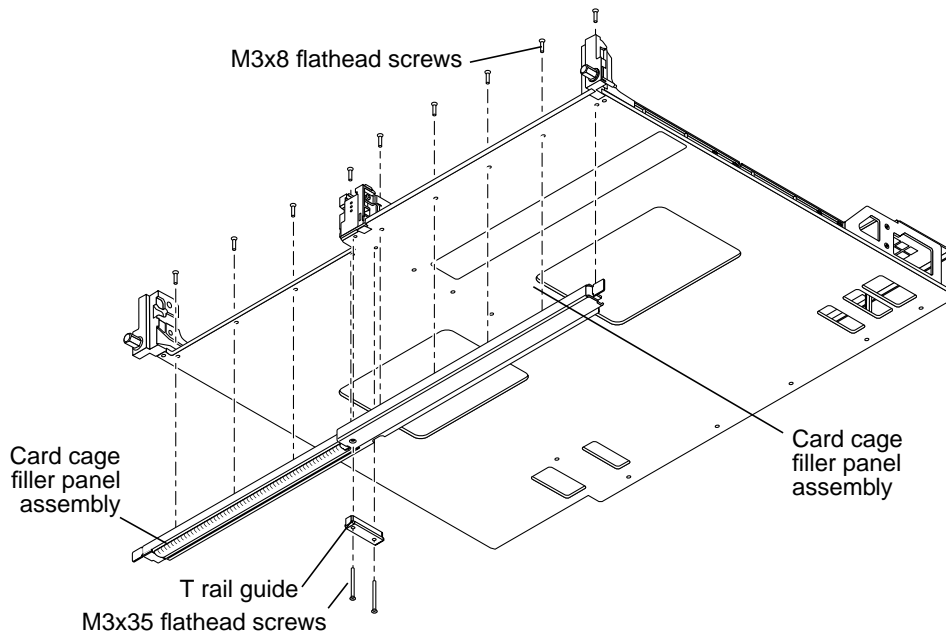


FIGURE 3 Removing the Card Cage Filler Panel

5. Secure the card cage filler panel assembly with the nine (9) M3x8 flathead screws to the new package carrier plate.

6. Assemble the T rail guide and secure with the two (2) M3x35 flathead screws.

7. Check the EMI metal gasket for any rips, tears, large creases, or any sharp edges that may cause injury. If no damages are present, go to Step 11.



Caution – The EMI metal gasket has sharp edges. Handle carefully to prevent bodily injury.

8. If the EMI metal gasket is to be replaced, remove the old gasket by pulling upward from one end, using pliers to avoid injury, until the plastic snaps are released.
9. Install the new gasket by aligning the nine (9) plastic snaps with the row of nine (9) holes at the front edge of the carrier plate, as shown in Figure 4. Using your thumb and forefinger, apply pressure to the snaps until each snap is fully seated into the nine (9) holes and no visible bumps or ridges are showing.

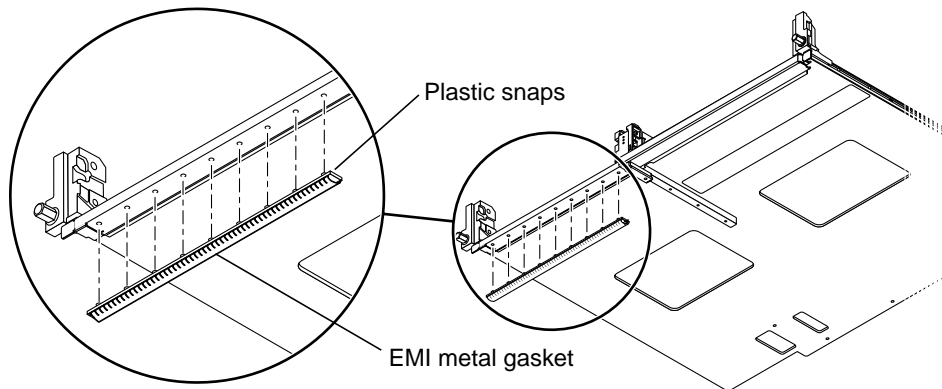


FIGURE 4 Installing the EMI Metal Gasket

10. Re-install the expander board on the new carrier plate, as required.
11. Install the carrier plate into the system.
12. Discard any remaining hardware supplied with the FRU package.

Accessing Sun Documentation

You can view, print, or purchase a broad selection of Sun documentation, including localized versions, at:

<http://www.sun.com/documentation>

Contacting Sun Technical Support

If you have technical questions about this product that are not answered in this document, go to:

<http://www.sun.com/service/contacting>

Sun Welcomes Your Comments

Sun is interested in improving its documentation and welcomes your comments and suggestions. You can submit your comments by going to:

<http://www.sun.com/hwdocs/feedback>

Please include the title and part number of your document with your feedback:

Sun Fire 15K/12K Systems Carrier Plate Configurations, part number 816-0768-12

Copyright 2003 Sun Microsystems, Inc. All rights reserved. Use is subject to license terms. Third-party software, including font technology, is copyrighted and licensed from Sun suppliers. Portions may be derived from Berkeley BSD systems, licensed from U. of CA. Sun, Sun Microsystems, the Sun logo, and Solaris are trademarks or registered trademarks of Sun Microsystems, Inc. in the U.S. and in other countries. All SPARC trademarks are used under license and are trademarks or registered trademarks of SPARC International, Inc. in the U.S. and in other countries. Government users are subject to the Sun Microsystems, Inc. standard license agreement and applicable provisions of the FAR and its supplements.

Copyright 2003 Sun Microsystems, Inc. Tous droits réservés. Distribué par des licences qui en restreignent l'utilisation. Le logiciel détenu par des tiers, et qui comprend la technologie relative aux polices de caractères, est protégé par un copyright et licencié par des fournisseurs de Sun. Des parties de ce produit pourront être dérivées des systèmes Berkeley BSD licenciés par l'Université de Californie. Sun, Sun Microsystems, le logo Sun, et Solaris sont des marques de fabrique ou des marques déposées de Sun Microsystems, Inc. aux Etats-Unis et dans d'autres pays. Toutes les marques SPARC sont utilisées sous licence et sont des marques de fabrique ou des marques déposées de SPARC International, Inc. aux Etats-Unis et dans d'autres pays.



Sun Microsystems, Inc.
www.sun.com