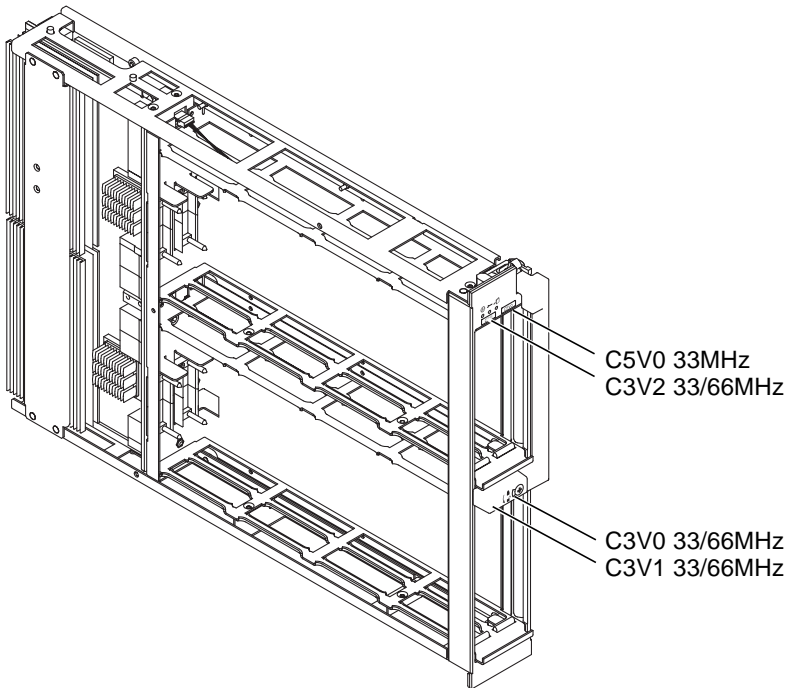




hsPCI+ Assembly Installation Guide

Sun Fire™ E25K/E20K Systems
Sun Fire 15K/12K Systems



Software Requirements

The hsPCI+ assembly requires specific versions of the Solaris 9 or Solaris 8 software and System Management Software (SMS) for proper function.

Domains

- For existing Solaris 9 software installation, ensure the Sun Fire E25K/E20K systems are running Solaris 9 with patches 112233-07, 113445-01, 113446-03, 113447-01 or higher. (See <http://www.sunsolve.sun.com>.)

Note – Solaris 9 software patches must be added prior to the installation of the hsPCI+ assembly.

- For new Solaris 9 software installations, use Solaris 9, 01/03, or higher.
- For Solaris 8 software installation, ensure the Sun Fire E25K/E20K systems are running Solaris 8 02/02 with patches 108528-18, 109873-15, 110820-10, 110826-06, 110900-07 or higher. (See <http://www.sunsolve.sun.com>.)

System Controller

- Ensure the Sun Fire E25K/E20K systems are running SMS 1.3 with patches 114640-06, 114608-07, 114662-01, and 115285-01 or higher. (See <http://www.sunsolve.sun.com>.)

Release Notes Update

Sun Fire E25K/E20K Systems Platform Using Solaris 8 Installation With hsPCI+ Only Domains Can Hang (Bug ID 4797577)

The Solaris 8 installation might hang at the time of execution of the Sun Fire E25K/E20K systems begin and finish scripts.

Solaris 8 installation might not continue after displaying the following:

```
Executing begin script "sunfire15000_begin"...
```

Workaround: Press `ctrl+C` to let the installation continue. This will not configure MAN on the domain. You must configure the `dman0` interface manually. The procedure is available in Chapter 6 of the *System Management Services (SMS) 1.3 Installation Guide*, Section, "Unconfigured Domains." (See <http://www.sun.com/documentation>.)

As an alternate solution to install the hsPCI+ only domains, create a custom Solaris 8 netinstall image with the Solaris 8 02/02 software and all related patches mentioned in the *Software Requirements* section of this document.

Sun Fire E25K/E20K Systems Panic When Performing System Board DR Suspend/Resume With hsPCI+ (Bug ID 4865636)

The dynamic reconfiguration (DR) operations can cause this domain stop. For additional information, refer to the *System Management Services (SMS) 1.3 Dynamic Reconfiguration Users Guide, Creating System Management Applications on the Sun Fire 15K and Sun Fire 12K Systems* and *System Management Services (SMS) 1.3 Release Notes*. (See <http://www.sun.com/documentation>.)

Workaround: Add `exclude: drv/ohci` to the `/etc/system` file in each domain containing an hsPCI+ board, and reboot the system.

Future Software Patches

Future software patches will be written to handle the Bug ID issues stated above. Look for future software patches or updated revisions to the *System Management Services (SMS) 1.3 Installation Guide* and *Sun Fire 12K Systems* and *System Management Services (SMS) 1.3 Release Notes*. (See <http://www.sun.com/documentation>.) Follow this link to the most recent documentation update.

hsPCI+ Assembly Installation

See "Installing an hsPCI (Slot 1) Assembly" in the Sun Fire 15K/12K System Service Manual. (See <http://www.sun.com/documentation>.)

Note – The installation procedure for the hsPCI and the hsPCI+ are almost identical. The only difference you might see is the nomenclature for C5V1 on the hsPCI. This slot, for the hsPCI+, has been changed to C3V2. Refer to the diagram at the front of this document for the exact hsPCI+ slot number nomenclature.

Accessing Sun Documentation

You can view, print, or purchase a broad selection of Sun documentation, including localized versions, at:

<http://www.sun.com/documentation>

Contacting Sun Technical Support

If you have technical questions about this product that are not answered in this document, go to:

<http://www.sun.com/service/contacting>

Sun Welcomes Your Comments

Sun is interested in improving its documentation and welcomes your comments and suggestions. You can submit your comments by going to:

<http://www.sun.com/hwdocs/feedback>

Please include the title and part number of your document with your feedback:

hsPCI+ Assembly Installation Guide, part number 817-1126-12

Copyright 2005 Sun Microsystems, Inc. All rights reserved. Use is subject to license terms. Third-party software, including font technology, is copyrighted and licensed from Sun suppliers. Portions may be derived from Berkeley BSD systems, licensed from U. of CA. Sun, Sun Microsystems, the Sun logo, Sun Fire, and Solaris are trademarks or registered trademarks of Sun Microsystems, Inc. in the U.S. and in other countries. All SPARC trademarks are used under license and are trademarks or registered trademarks of SPARC International, Inc. in the U.S. and in other countries. U.S. Government Rights—Commercial use. Government users are subject to the Sun Microsystems, Inc. standard license agreement and applicable provisions of the FAR and its supplements.

Copyright 2005 Sun Microsystems, Inc. Tous droits réservés. Distribué par des licences qui en restreignent l'utilisation. Le logiciel détenu par des tiers, et qui comprend la technologie relative aux polices de caractères, est protégé par un copyright et licencié par des fournisseurs de Sun. Des parties de ce produit pourront être dérivées des systèmes Berkeley BSD licenciés par l'Université de Californie. Sun, Sun Microsystems, le logo Sun, Sun Fire, et Solaris sont des marques de fabrique ou des marques déposées de Sun Microsystems, Inc. aux Etats-Unis et dans d'autres pays. Toutes les marques SPARC sont utilisées sous licence et sont des marques de fabrique ou des marques déposées de SPARC International, Inc. aux Etats-Unis et dans d'autres pays.



Sun Microsystems, Inc.
4150 Network Circle
Santa Clara, CA 95054 USA
www.sun.com

Part No. 817-1126-12, Rev. A
February 2004