



Sun StorEdge™ 2 Gb FC Entry-Level PCI-X Single Channel Host Bus Adapter Installation Guide

Sun Microsystems, Inc.
www.sun.com

Part No. 819-1670-12
January 2007, Revision A

Submit comments about this document at: <http://www.sun.com/hwdocs/feedback>

Copyright 2007 Sun Microsystems, Inc., 4150 Network Circle, Santa Clara, California 95054, U.S.A. All rights reserved.

Sun Microsystems, Inc. has intellectual property rights relating to technology that is described in this document. In particular, and without limitation, these intellectual property rights may include one or more of the U.S. patents listed at <http://www.sun.com/patents> and one or more additional patents or pending patent applications in the U.S. and in other countries.

This document and the product to which it pertains are distributed under licenses restricting their use, copying, distribution, and decompilation. No part of the product or of this document may be reproduced in any form by any means without prior written authorization of Sun and its licensors, if any.

Third-party software, including font technology, is copyrighted and licensed from Sun suppliers.

Parts of the product may be derived from Berkeley BSD systems, licensed from the University of California. UNIX is a registered trademark in the U.S. and in other countries, exclusively licensed through X/Open Company, Ltd.

Sun, Sun Microsystems, the Sun logo, AnswerBook2, docs.sun.com, Sun StorEdge, Sun Fire, SunSolve Online, SunVTS, and Solaris are trademarks or registered trademarks of Sun Microsystems, Inc. in the U.S. and in other countries.

All SPARC trademarks are used under license and are trademarks or registered trademarks of SPARC International, Inc. in the U.S. and in other countries. Products bearing SPARC trademarks are based upon an architecture developed by Sun Microsystems, Inc.

The OPEN LOOK and Sun™ Graphical User Interface was developed by Sun Microsystems, Inc. for its users and licensees. Sun acknowledges the pioneering efforts of Xerox in researching and developing the concept of visual or graphical user interfaces for the computer industry. Sun holds a non-exclusive license from Xerox to the Xerox Graphical User Interface, which license also covers Sun's licensees who implement OPEN LOOK GUIs and otherwise comply with Sun's written license agreements.

U.S. Government Rights—Commercial use. Government users are subject to the Sun Microsystems, Inc. standard license agreement and applicable provisions of the FAR and its supplements.

DOCUMENTATION IS PROVIDED "AS IS" AND ALL EXPRESS OR IMPLIED CONDITIONS, REPRESENTATIONS AND WARRANTIES, INCLUDING ANY IMPLIED WARRANTY OF MERCHANTABILITY, FITNESS FOR A PARTICULAR PURPOSE OR NON-INFRINGEMENT, ARE DISCLAIMED, EXCEPT TO THE EXTENT THAT SUCH DISCLAIMERS ARE HELD TO BE LEGALLY INVALID.

Copyright 2007 Sun Microsystems, Inc., 4150 Network Circle, Santa Clara, Californie 95054, Etats-Unis. Tous droits réservés.

Sun Microsystems, Inc. a les droits de propriété intellectuels relatants à la technologie qui est décrit dans ce document. En particulier, et sans la limitation, ces droits de propriété intellectuels peuvent inclure un ou plus des brevets américains énumérés à <http://www.sun.com/patents> et un ou les brevets plus supplémentaires ou les applications de brevet en attente dans les Etats-Unis et dans les autres pays.

Ce produit ou document est protégé par un copyright et distribué avec des licences qui en restreignent l'utilisation, la copie, la distribution, et la décompilation. Aucune partie de ce produit ou document ne peut être reproduite sous aucune forme, par quelque moyen que ce soit, sans l'autorisation préalable et écrite de Sun et de ses bailleurs de licence, s'il y en a.

Le logiciel détenu par des tiers, et qui comprend la technologie relative aux polices de caractères, est protégé par un copyright et licencié par des fournisseurs de Sun.

Des parties de ce produit pourront être dérivées des systèmes Berkeley BSD licenciés par l'Université de Californie. UNIX est une marque déposée aux Etats-Unis et dans d'autres pays et licenciée exclusivement par X/Open Company, Ltd.

Sun, Sun Microsystems, le logo Sun, AnswerBook2, docs.sun.com, Sun StorEdge, Sun Fire, SunSolve Online, SunVTS, et Solaris sont des marques de fabrique ou des marques déposées de Sun Microsystems, Inc. aux États-Unis et dans d'autres pays.

Toutes les marques SPARC sont utilisées sous licence et sont des marques de fabrique ou des marques déposées de SPARC International, Inc. aux Etats-Unis et dans d'autres pays. Les produits portant les marques SPARC sont basés sur une architecture développée par Sun Microsystems, Inc.

L'interface d'utilisation graphique OPEN LOOK et Sun™ a été développée par Sun Microsystems, Inc. pour ses utilisateurs et licenciés. Sun reconnaît les efforts de pionniers de Xerox pour la recherche et le développement du concept des interfaces d'utilisation visuelle ou graphique pour l'industrie de l'informatique. Sun détient une licence non exclusive de Xerox sur l'interface d'utilisation graphique Xerox, cette licence couvrant également les licenciées de Sun qui mettent en place l'interface d'utilisation graphique OPEN LOOK et qui en outre se conforment aux licences écrites de Sun.

LA DOCUMENTATION EST FOURNIE "EN L'ÉTAT" ET TOUTES AUTRES CONDITIONS, DECLARATIONS ET GARANTIES EXPRESSES OU TACITES SONT FORMELLEMENT EXCLUES, DANS LA MESURE AUTORISEE PAR LA LOI APPLICABLE, Y COMPRIS NOTAMMENT TOUTE GARANTIE IMPLICITE RELATIVE A LA QUALITE MARCHANDE, A L'APTITUDE A UNE UTILISATION PARTICULIERE OU A L'ABSENCE DE CONTREFAÇON.



Contents

Preface v

**Sun StorEdge 2 Gb FC Entry-Level PCI-X Single Channel Host Bus Adapter
Installation Guide** 1

System Requirements 2

Installing the HBA 2

- ▼ To Verify the Packaging Contents 2
- ▼ To Install the HBA Hardware 3

Installing the HBA Driver 6

Sun Solaris 10 Operating System for x86 Platforms 7

- ▼ To Install the Sun Solaris 10 OS 7
- ▼ To Download and Install the Patch 7

Known Issues 8

Diagnostic Support 8

- ▼ To Install Patch 119275. 8

Red Hat Enterprise Linux 3 and SuSE Linux Enterprise Server 8 Systems 9

- ▼ To Download and Install the Red Hat HBA Driver 9
- ▼ To Run a Quick Diagnostic Check on the HBA 10
- ▼ To Create a Boot Disk 10

Windows 2000 or Windows Server 2003 11

- ▼ To Download and Install the Windows HBA Driver 11
- ▼ To Run a Quick Diagnostic Check on the HBA 12
- ▼ To Install the SANsurfer FC HBA Manager for Windows 13
- ▼ To Create a Boot Disk 13

A. Declaration of Conformity, Regulatory Compliance, and Safety Statements 15

Declaration of Conformity 17

Regulatory Compliance Statements 19

Safety Agency Compliance Statements 23

Preface

This guide describes how to install the Sun StorEdge™ 2 Gb FC Entry-Level PCI-X Single Channel host bus adapter (HBA), and how to update the driver.

How This Book Is Organized

The single chapter describes how to install the HBA and update the driver.

Appendix A provides the safety, regulatory, and compliance information for the product.

Using UNIX Commands

This document might not contain information on basic UNIX® commands and procedures such as shutting down the system, booting the system, and configuring devices. Refer to the following for this information:

- Software documentation that you received with your system
- Solaris™ Operating System documentation, which is at

<http://docs.sun.com>

Shell Prompts

Shell	Prompt
C shell	<i>machine-name%</i>
C shell superuser	<i>machine-name#</i>
Bourne shell and Korn shell	\$
Bourne shell and Korn shell superuser	#

Typographic Conventions

Typeface*	Meaning	Examples
AaBbCc123	The names of commands, files, and directories; on-screen computer output	Edit your <code>.login</code> file. Use <code>ls -a</code> to list all files. <code>% You have mail.</code>
AaBbCc123	What you type, when contrasted with on-screen computer output	% su Password:
<i>AaBbCc123</i>	Book titles, new words or terms, words to be emphasized. Replace command-line variables with real names or values.	Read Chapter 6 in the <i>User's Guide</i> . These are called <i>class</i> options. You <i>must</i> be the superuser to do this. To delete a file, type <code>rm filename</code> .

* The settings on your browser might differ from these settings.

Related Documentation

Application	Title	Part Number
Latest information	<i>Sun StorEdge 2 Gb FC Entry Level PCI-X Single Channel Host Bus Adapter Release Notes</i>	819-1671
Locating documents	<i>Accessing Documentation</i>	819-1209

Accessing Sun Documentation

You can view, print, or purchase a broad selection of Sun documentation, including localized versions, at:

<http://www.sun.com/documentation>

Third-Party Web Sites

Sun is not responsible for the availability of third-party web sites mentioned in this document. Sun does not endorse and is not responsible or liable for any content, advertising, products, or other materials that are available on or through such sites or resources. Sun will not be responsible or liable for any actual or alleged damage or loss caused by or in connection with the use of or reliance on any such content, goods, or services that are available on or through such sites or resources.

Contacting Sun Technical Support

If you need help installing or using this product in the United States, call 1-800-USA-4SUN, or go to:

<http://www.sun.com/service/contacting/index.html>

Sun Welcomes Your Comments

Sun is interested in improving its documentation and welcomes your comments and suggestions. You can submit your comments by going to:

<http://www.sun.com/hwdocs/feedback>

Please include the title and part number of your document with your feedback:

Sun StorEdge™ 2 Gb FC Entry-Level PCI-X Single Channel Host Bus Adapter Installation Guide, part number 819-1670-12

Sun StorEdge 2 Gb FC Entry-Level PCI-X Single Channel Host Bus Adapter Installation Guide

This guide describes how to install and configure your new Sun StorEdge™ 2 Gb FC Entry-Level PCI-X Single Channel host bus adapter (HBA) in three simple steps. This guide also describes how to update the Sun StorEdge 2 Gb FC Entry-Level PCI-X Single Channel HBA drivers.



Caution – Keep the Sun StorEdge 2 Gb FC Entry-Level PCI-X Single Channel HBA in the antistatic bag until installation. The Sun StorEdge 2 Gb FC Entry-Level PCI-X Single Channel HBA contains parts that can be damaged by electrostatic discharge (ESD). Before handling the HBA, use standard methods to discharge static electricity. Place the HBA on the bag when examining it. Retain the bag for future use.

System Requirements

Your system must have the following functionality to support the Sun StorEdge 2 Gb FC Entry-Level PCI-X Single Channel HBA:

- One of the following PCI/PCI-X slots:
 - PCI 32/64-bit data bus and 33/66 MHz clock frequency
 - PCI-X 32/64-bit data bus and 66/100/133 MHz clock frequency
- 3.3-volt signaling
- The correct optical cable (short wave 50 μm fiber or 62.5 μm fiber) and connectors (LC duplex)

Installing the HBA

Follow these steps to install the Sun StorEdge 2 Gb FC Entry-Level PCI-X Single Channel HBA in your system.

▼ To Verify the Packaging Contents

- **Verify that the Sun StorEdge 2 Gb FC Entry-Level PCI-X Single Channel HBA is shipped with the following items (see [FIGURE 1](#)):**
 - Sun StorEdge 2 Gb FC Entry-Level PCI-X Single Channel HBA
 - Extra PCI bracket
 - *Accessing Documentation*, 819-1209-xx

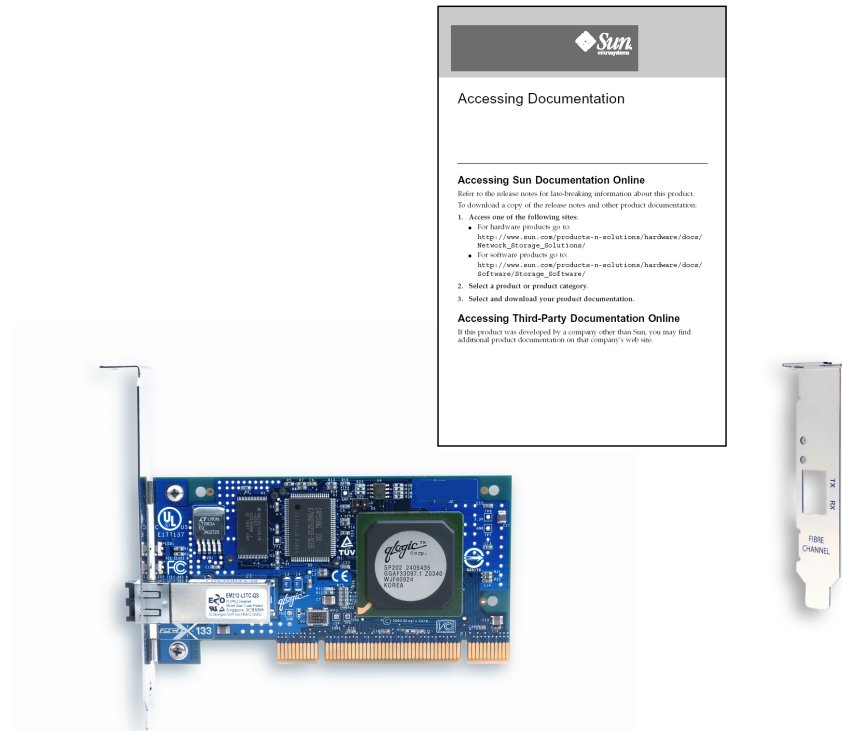


FIGURE 1 HBA Packaging Contents

▼ To Install the HBA Hardware

To install the Sun StorEdge 2 Gb FC Entry-Level PCI-X Single Channel HBA hardware, you need to open the computer and identify an empty PCI slot (32 or 64 bit). If necessary, consult your computer system manual for instructions to remove the computer cover.

Note – If you are installing the Sun StorEdge 2 Gb FC Entry-Level PCI-X Single Channel HBA in a Windows system, see [Step 4 of “To Download and Install the Windows HBA Driver”](#) on page 11 before installing the HBA into your system.



Caution – Damage to the HBA can occur as the result of careless handling or electrostatic discharge (ESD). Always handle the HBA with care to avoid damage to electrostatic sensitive components.

To minimize the possibility of ESD-related damage, Sun strongly recommends using both a workstation antistatic mat and an ESD wrist strap. You can get an ESD wrist strap from any reputable electronics store or from Sun as part number #250-1007. Observe the following precautions to avoid ESD-related problems:

- Leave the HBA in its antistatic bag until you are ready to install it in the system.
- Always use a properly fitted and grounded wrist strap or other suitable ESD protection when handling the HBA and observe proper ESD grounding techniques.
- Hold the HBA by the edge of the PCB or mounting bracket, not the connectors.
- Place the HBA on a properly grounded antistatic work surface pad when it is out of its protective antistatic bag.

1. **Power off the computer, then disconnect the power cable.**
2. **Remove the computer cover and find an empty PCI slot.**
3. **Pull out the slot cover (if any) by removing the screw or releasing the lever.**
4. **Optionally, perform the following steps to replace the PCI bracket.**
 - a. **Remove the two screws that attach the current bracket to the HBA using a #2 cross-head screwdriver. Save the screws.**
 - b. **Remove the existing bracket.**
 - c. **Position the new bracket over the transceiver housings.**
 - d. **Align the screw holes of the HBA and the bracket, then insert and tighten the screws to a torque of 3.6 in-lbs.**

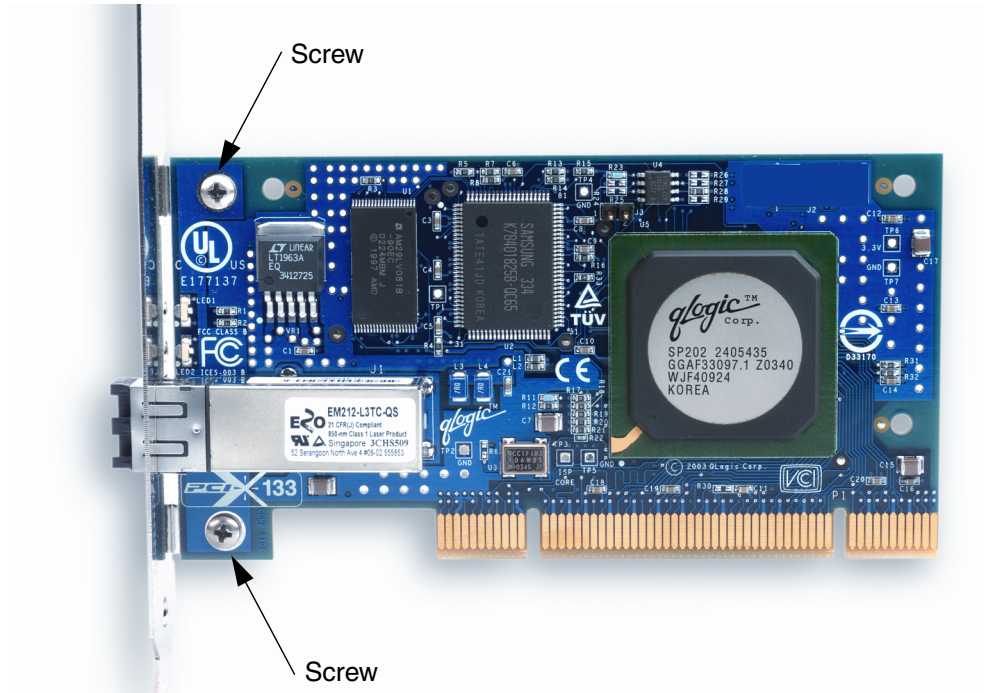


FIGURE 2 Tighten Screws to 3.6 in-lbs

5. Grasp the HBA by the top edge and seat it firmly into the PCI slot.
6. Refasten the retaining bracket of the HBA by using the existing screw or lever.
7. Close the computer cover.
8. Plug in the power cable and turn on the computer.

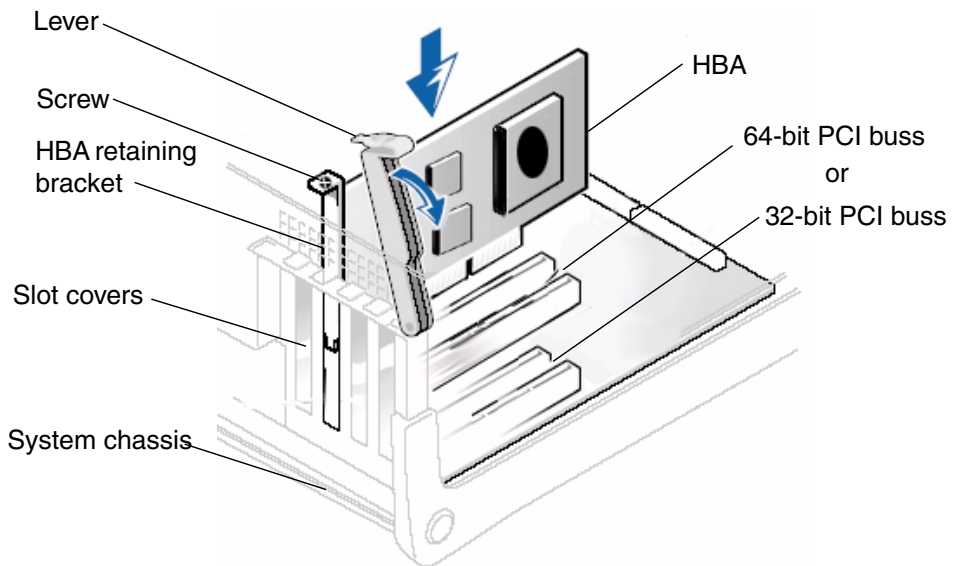


FIGURE 3 Installing the HBA

Installing the HBA Driver

After you have completed the hardware installation and turned on the computer, follow the instructions listed below for your operating system.

This section contain the following topics:

- [“Sun Solaris 10 Operating System for x86 Platforms” on page 7](#)
- [“Red Hat Enterprise Linux 3 and SuSE Linux Enterprise Server 8 Systems” on page 9](#)
- [“Windows 2000 or Windows Server 2003” on page 11](#)

Sun Solaris 10 Operating System for x86 Platforms

You must install Sun Solaris 10 Operating System (OS) for x86 Platforms and then download and install patch 119131-xx for the Sun StorEdge 2 Gb FC Entry-Level PCI-X Single Channel HBA driver.

▼ To Install the Sun Solaris 10 OS

Install Sun Solaris 10 x86 OS per the documentation that is included with your system.

▼ To Download and Install the Patch

1. Go to <http://www.sun.com>.
2. Click **Downloads** in the left side column.
3. Click **Patches & Updates**.
4. Under **Product Name**, click **Solaris and other Patches**.
5. In the **PatchFinder** section, type in the patch number (119131), and click **Find Patch**.
6. Click the **FTP or HTTP** link to download the patch into a desired directory.
7. Access the directory and unzip the patch.
8. Use the `patchadd` command to install the patch.

Note – Refer to the product Release Notes, 819-1671-xx, for the latest information on software requirements.

Known Issues

Booting from a disk attached via the Sun StorEdge 2 Gb FC Entry-Level PCI-X Single Channel HBA is not supported in a Solaris x86 environment.

Diagnostic Support

Diagnostic support for the Sun StorEdge 2 Gb FC Entry-Level PCI-X Single Channel HBA is available beginning with SunVTS 6.0 software.

Install SunVTS 6.0 software per instructions from your Solaris 10 distribution. Patch 119275 is required for the SunVTS 6.0 to support the Sun StorEdge 2 Gb FC Entry-Level PCI-X Single Channel HBA.

▼ To Install Patch 119275.

1. **Access SunSolve at:** <http://sunsolve.sun.com>.
2. **Click the Patchfinder link under Patch Portal.**
3. **Enter the patch number (including revision) in the “Find Patch” box.**
4. **Follow the install instructions in the patch description.**

The HBA diagnostics are supported by the `qlctest`.

Note – The Internal Loopback Tests and the MailboxTests are not supported.

Red Hat Enterprise Linux 3 and SuSE Linux Enterprise Server 8 Systems

The Red Hat Enterprise Server 3 and the SuSE Linux Enterprise Server 8 operating systems are supported on the Sun StorEdge 2 Gb FC Entry-Level PCI-X Single Channel HBA. Before installing the drivers for Linux you must have the relevant Linux OS installed on your hard disk. The driver source is available for download at the QLogic web page dedicated for Sun products, as a .tgz package. Instructions to install such drivers, and to create a bootable device connected to this HBA, are also given in the Readme document associated with this driver at the QLogic download page.

▼ To Download and Install the Red Hat HBA Driver

The driver source is applicable to both IA32 and AMD64 hardware architectures.

- 1. Go to the QLogic download site for Sun Microsystems:**
www.qlogic.com/support/oem_detail_all.asp?oemid=124.
- 2. By scrolling, you will see four or more tables on this page. Find the table titled:**
Sun Recommended Entry-Level Fibre Channel HBA software.
- 3. Scroll down this table to locate the following in the Name column:**
Red Hat Enterprise Linux 3, SuSE SLES 8 Driver for SG-(X)PCI1FC-QLC (IA32 and AMD64).
- 4. Click Download in the right column.**
- 5. Click the Readme and locate the install steps for using the .tgz source package.**
- 6. Follow the instructions and download the driver source by clicking the associated Download.**

▼ To Run a Quick Diagnostic Check on the HBA

Diagnostics for the Sun StorEdge 2 Gb FC Entry-Level PCI-X Single Channel HBA is provided in the SANsurfer FC HBA Manager for Linux utility which is available for download at the QLogic web page dedicated for Sun products.

1. **Go to the QLogic download site for Sun Microsystems:**

www.qlogic.com/support/oem_detail_all.asp?oemid=124.

2. **By scrolling, you will see four or more tables on this page. Find the table titled:**
Sun Recommended Entry-Level Fibre Channel HBA software.
3. **Scroll down this table to locate the following in the Name column:**
SANsurfer FC HBA CLI for Linux (IA32 and AMD64).
4. **Click Download in the right column.**
5. **Click the Readme for the download and install instructions.**

▼ To Create a Boot Disk

1. **Connect the disk to the Sun StorEdge 2 Gb FC Entry-Level PCI-X Single Channel HBA.**
2. **Go to the QLogic download site for Sun Microsystems:**
www.qlogic.com/support/oem_detail_all.asp?oemid=124
3. **By scrolling, you will see four or more tables on this page. Find the table titled:**
Sun Recommended Entry-Level Fibre Channel HBA software.
4. **Scroll down this table to locate the following in the Name column:**
Linux DD Disk for [Red Hat or SuSE] (IA32 and AMD64).
5. **Click Download in the right column.**
6. **Follow the instructions in the ReadMe.**

Windows 2000 or Windows Server 2003

Make sure that the following preliminaries are in effect before proceeding:

- These instructions install an HBA driver for a Sun StorEdge 2 Gb FC Entry-Level PCI-X Single Channel HBA connected to an external (non-boot) Fibre Channel device.
- Make sure the operating system is installed, and that your system is configured with the latest Service Pack and Windows Update.
- The driver is only installed once, even if you have multiple Sun StorEdge 2 Gb FC Entry-Level PCI-X Single Channel HBAs in the system.

▼ To Download and Install the Windows HBA Driver

1. **Power down your system.**
2. **Install the Sun StorEdge 2 Gb FC Entry-Level PCI-X Single Channel HBA into a PCI slot (see “To Install the HBA Hardware” on page 3).**
3. **Power up the system and allow Windows to boot.**
4. **When the Found New Hardware wizard comes up, click Cancel.**
5. **Go to QLogic download site for Sun Microsystems:**
`www.qlogic.com/support/oem_detail_all.asp?oemid=124`
6. **By scrolling, you will see four or more tables on this page. Find the table titled: Sun Recommended Entry-Level Fibre Channel HBA Software.**
7. **Scroll down this table to locate the following in the Name column:**
Install Wizard for Windows (IA32).
8. **Click Download in the right column.**
Save the qlflzip.exe file to a directory of your choice.
9. **Click on the qlflzip.exe file to open it.**
The SANsurfer Install Wizard opens.
10. **Make the following selections from the SANsurfer HBA Install Wizard:**
HBA Configuration Update → Update Driver?
11. **The Select Driver screen is displayed.**
Select Default Driver and click Next.

12. Click Next again on the following two screens.

If a Caution popup window appears, click Continue.

Note – If you have more than one HBA in the system, or if you have HBAs with multiple ports, this Caution popup window will show up more than once. If this happens, click Continue until all the Caution popup windows disappear.

13. When the Driver Updated Successfully message is displayed, click Next.

14. Click Quit on the following screen.

15. Reboot your system.

▼ To Run a Quick Diagnostic Check on the HBA

1. Run the qlflzip.exe file.

The SANsurfer HBA Install Wizard starts.

2. Select the Performance Diagnostic.

3. Click Next.

4. Click Select HBA.

5. Select the HBA for diagnostic.

6. Click Next.

7. Click Next to continue.

Be sure the HBA you selected for diagnostics is connected to an active fiber link (storage or switch fabric) or to a loop back cable.

8. Click Next to return to the SANsurfer HBA Install Wizard window (main).

▼ To Install the SANsurfer FC HBA Manager for Windows

The QLogic SANsurfer FC HBA Manager provides configuration management utilities and diagnostics for the Sun StorEdge 2 Gb FC Entry-Level PCI-X Single Channel HBA.

1. **Go to the QLogic download site for Sun Microsystems:**
www.qlogic.com/support/oem_detail_all.asp?oemid=124
2. **By scrolling, you will see four or more tables on this page. Find the table titled:**
Sun Recommended Entry-Level Fibre Channel HBA software.
3. **Scroll down this table to locate the following in the Name column:**
SANsurfer FC HBA Manager for Windows (IA32).
4. **Click Download in the right column.**

▼ To Create a Boot Disk

1. **Connect the disk to the Sun StorEdge 2 Gb FC Entry-Level PCI-X Single Channel HBA.**
2. **Go to the QLogic download site for Sun Microsystems:**
www.qlogic.com/support/oem_detail_all.asp?oemid=124
3. **By scrolling, you will see four or more tables on this page. Find the table titled:**
Sun Recommended Entry-Level Fibre Channel HBA software.
4. **Scroll down this table to locate the following in the Name column:**
Windows Server 2003 SCSI Miniport Driver (IA32).
5. **Click Download in the right column.**
6. **Follow the instructions in the ReadMe.**

Declaration of Conformity, Regulatory Compliance, and Safety Statements

This appendix contains the following information that applies to the Sun StorEdge 2 Gb FC Entry Level PCI-X Single Channel Host Bus Adapter:

- [“Declaration of Conformity” on page 17](#)
- [“Regulatory Compliance Statements” on page 19](#)
- [“Safety Agency Compliance Statements” on page 23](#)

Declaration of Conformity

Compliance Model Number:

FL0210406

Product Family Name:

Sun StorEdge 2Gb FC Entry-Level PCI-X Single Channel Host Bus Adapter
(SG-XPCI1FC-QLC-Z)

EMC

USA - FCC Class A

This equipment complies with Part 15 of the FCC Rules. Operation is subject to the following two conditions:

1. This equipment may not cause harmful interference.
2. This equipment must accept any interference that may cause undesired operation.

European Union

This equipment complies with the following requirements of the EMC Directive 89/336/EEC:

As Telecommunication Network Equipment (TNE) in Both Telecom Centers and Other Than Telecom Centers per (as applicable):

EN 300 386 V.1.3.2 (2003-05) Required Limits:

EN 55022:1994 +A1:1995 +A2:1997 Class A

EN 61000-3-2:2000 Pass

EN 61000-3-3:1995 +A1:2000 Pass

IEC 61000-4-2 6 kV (Direct), 8 kV (Air)

IEC 61000-4-3 3 V/m 80-1000MHz, 10 V/m 800-960 MHz, and 1400-2000 MHz

IEC 61000-4-4 1 kV AC and DC Power Lines, 0.5 kV Signal Lines

IEC 61000-4-5 2 kV AC Line-Gnd, 1 kV AC Line-Line and Outdoor Signal Lines, 0.5 kV Indoor signal Lines > 10m

IEC 61000-4-6 3 V

IEC 61000-4-11 Pass

As Information Technology Equipment (ITE) Class A per (as applicable):

EN55022:1994 +A1 1995 +A2:1997 Class A

EN 61000-3-2:2000 Pass

EN 61000-3-3:1995 +A1:2000 Pass

EN55024:1998 +A1: 2001 +A2:2003 Required Limits:

IEC 61000-4-2 4 kV (Direct), 8 kV (Air)

IEC 61000-4-3 3 V/m

IEC 61000-4-4 1 kV AC Power Lines, 0.5 kV Signal and DC Power Lines

IEC 61000-4-5 1 kV AC Line-Line and Outdoor Signal Lines, 2 kV AC Line-Gnd, 0.5 kV DC Power Lines

IEC 61000-4-6 3 V

IEC 61000-4-8 1 A/m

IEC 61000-4-11 Pass

Safety: *This equipment complies with the following requirements of the Low Voltage Directive 73/23/EEC:*

EC Type Examination Certificates:

EN60950-1:2001, First Edition

TÜV Rheinland Certificate No.

IEC 60950-1:2001, 1st Edition

CB Scheme Certificate No.

Evaluated to all CB Countries

UL 60950-1:2003; CSA C22.2 No. 60950-1-03, 1st Edition

File:

Supplementary Information: This product was tested and complies with all the requirements for the CE Mark.

This equipment complies with the Restriction of Hazardous Substances (RoHS) directive 2002/95/EC.

/S/

Dennis P. Symanski
Worldwide Compliance Office
Sun Microsystems, Inc.
4150 Network Circle, MPK15-102
Santa Clara, CA 95054, U.S.A.
Tel: 650-786-3255
Fax: 650-786-3723

DATE

/S/

Donald Cameron
Quality Manager/Quality Systems
Sun Microsystems Scotland, Limited
Blackness Road, Phase I, Main Bldg.
Springfield, EH49 7LR
Scotland, United Kingdom
Tel: +44 1 506 672 539
Fax: +44 1 506 670 011

DATE

Regulatory Compliance Statements

Your Sun product is marked to indicate its compliance class:

- Federal Communications Commission (FCC) — USA
- Industry Canada Equipment Standard for Digital Equipment (ICES-003) — Canada
- Voluntary Control Council for Interference (VCCI) — Japan
- Bureau of Standards Metrology and Inspection (BSMI) — Taiwan

Please read the appropriate section that corresponds to the marking on your Sun product before attempting to install the product.

FCC Class A Notice

This device complies with Part 15 of the FCC Rules. Operation is subject to the following two conditions:

1. This device may not cause harmful interference.
2. This device must accept any interference received, including interference that may cause undesired operation.

Note: This equipment has been tested and found to comply with the limits for a Class A digital device, pursuant to Part 15 of the FCC Rules. These limits are designed to provide reasonable protection against harmful interference when the equipment is operated in a commercial environment. This equipment generates, uses, and can radiate radio frequency energy, and if it is not installed and used in accordance with the instruction manual, it may cause harmful interference to radio communications. Operation of this equipment in a residential area is likely to cause harmful interference, in which case the user will be required to correct the interference at his own expense.

Modifications: Any modifications made to this device that are not approved by Sun Microsystems, Inc. may void the authority granted to the user by the FCC to operate this equipment.

FCC Class B Notice

This device complies with Part 15 of the FCC Rules. Operation is subject to the following two conditions:

1. This device may not cause harmful interference.
2. This device must accept any interference received, including interference that may cause undesired operation.

Note: This equipment has been tested and found to comply with the limits for a Class B digital device, pursuant to Part 15 of the FCC Rules. These limits are designed to provide reasonable protection against harmful interference in a residential installation. This equipment generates, uses and can radiate radio frequency energy and, if not installed and used in accordance with the instructions, may cause harmful interference to radio communications. However, there is no guarantee that interference will not occur in a particular installation. If this equipment does cause harmful interference to radio or television reception, which can be determined by turning the equipment off and on, the user is encouraged to try to correct the interference by one or more of the following measures:

- Reorient or relocate the receiving antenna.
- Increase the separation between the equipment and receiver.
- Connect the equipment into an outlet on a circuit different from that to which the receiver is connected.
- Consult the dealer or an experienced radio/television technician for help.

Modifications: Any modifications made to this device that are not approved by Sun Microsystems, Inc. may void the authority granted to the user by the FCC to operate this equipment.

ICES-003 Class A Notice - Avis NMB-003, Classe A

This Class A digital apparatus complies with Canadian ICES-003.

Cet appareil numérique de la classe A est conforme à la norme NMB-003 du Canada.

ICES-003 Class B Notice - Avis NMB-003, Classe B

This Class B digital apparatus complies with Canadian ICES-003.

Cet appareil numérique de la classe B est conforme à la norme NMB-003 du Canada.


VCCI 基準について

クラス A VCCI 基準について

クラス A VCCI の表示があるワークステーションおよびオプション製品は、クラス A 情報技術装置です。これらの製品には、下記の項目が該当します。

この装置は、情報処理装置等電波障害自主規制協議会 (VCCI) の基準に基づくクラス A 情報技術装置です。この装置を家庭環境で使用すると電波妨害を引き起こすことがあります。この場合には使用者が適切な対策を講ずるよう要求されることがあります。

クラス B VCCI 基準について

クラス B VCCI の表示  があるワークステーションおよびオプション製品は、クラス B 情報技術装置です。これらの製品には、下記の項目が該当します。

この装置は、情報処理装置等電波障害自主規制協議会 (VCCI) の基準に基づくクラス B 情報技術装置です。この装置は、家庭環境で使用することを目的としていますが、この装置がラジオやテレビジョン受信機に近接して使用されると、受信障害を引き起こすことがあります。取扱説明書に従って正しい取り扱いをしてください。

BSMI Class A Notice

The following statement is applicable to products shipped to Taiwan and marked as Class A on the product compliance label.

警告使用者：
這是甲類的資訊產品，在居住的環境中使用時，可能會造成射頻干擾，在這種情況下，使用者會被要求採取某些適當的對策。



T33012

CCC Class A Notice

The following statement is applicable to products shipped to China and marked with "Class A" on the product's compliance label.

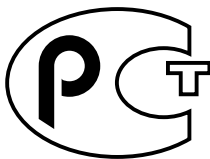
以下声明适用于运往中国且其认证标志上注有 "Class A" 字样的产品。

声明

此为A级产品，在生活环境中，该产品可能会造成无线电干扰。在这种情况下，可能需要用户对其干扰采取切实可行的措施。



GOST-R Certification Mark



Safety Agency Compliance Statements

Read this section before beginning any procedure. The following text provides safety precautions to follow when installing a Sun Microsystems product.

Safety Precautions

For your protection, observe the following safety precautions when setting up your equipment:

- Follow all cautions and instructions marked on the equipment.
- Ensure that the voltage and frequency of your power source match the voltage and frequency inscribed on the equipment's electrical rating label.
- Never push objects of any kind through openings in the equipment. Dangerous voltages may be present. Conductive foreign objects could produce a short circuit that could cause fire, electric shock, or damage to your equipment.

Symbols

The following symbols may appear in this book:



Caution – There is a risk of personal injury and equipment damage. Follow the instructions.



Caution – Hot surface. Avoid contact. Surfaces are hot and may cause personal injury if touched.



Caution – Hazardous voltages are present. To reduce the risk of electric shock and danger to personal health, follow the instructions.

Depending on the type of power switch your device has, one of the following symbols may be used:



On – Applies AC power to the system.



Off – Removes AC power from the system.



Standby – The On/Standby switch is in the standby position.

Modifications to Equipment

Do not make mechanical or electrical modifications to the equipment. Sun Microsystems is not responsible for regulatory compliance of a modified Sun product.

Placement of a Sun Product



Caution – Do not block or cover the openings of your Sun product. Never place a Sun product near a radiator or heat register. Failure to follow these guidelines can cause overheating and affect the reliability of your Sun product.

Noise Level

In compliance with the requirements defined in DIN 45635 Part 1000, the workplace-dependent noise level of this product is less than 70 db(A).

SELV Compliance

Safety status of I/O connections comply to SELV requirements.

Power Cord Connection



Caution – Sun products are designed to work with power systems having a grounded neutral (grounded return for DC-powered products). To reduce the risk of electric shock, do not plug Sun products into any other type of power system. Contact your facilities manager or a qualified electrician if you are not sure what type of power is supplied to your building.



Caution – Not all power cords have the same current ratings. Do not use the power cord provided with your equipment for any other products or use. Household extension cords do not have overload protection and are not meant for use with computer systems. Do not use household extension cords with your Sun product.



注意 – 添付の電源コードを他の装置や用途に使用しない
添付の電源コードは本装置に接続し、使用することを目的として設計され、その安全性が確認されているものです。決して他の装置や用途に使用しないでください。火災や感電の原因となる恐れがあります。

The following caution applies only to devices with a Standby power switch:



Caution – The power switch of this product functions as a standby type device only. The power cord serves as the primary disconnect device for the system. Be sure to plug the power cord into a grounded power outlet that is nearby the system and is readily accessible. Do not connect the power cord when the power supply has been removed from the system chassis.

The following caution applies only to devices with multiple power cords:



Caution – For products with multiple power cords, all power cords must be disconnected to completely remove power from the system.

Battery Warning



Caution – There is danger of explosion if batteries are mishandled or incorrectly replaced. On systems with replaceable batteries, replace only with the same manufacturer and type or equivalent type recommended by the manufacturer per the instructions provided in the product service manual. Do not disassemble batteries or attempt to recharge them outside the system. Do not dispose of batteries in fire. Dispose of batteries properly in accordance with the manufacturer's instructions and local regulations. Note that on Sun CPU boards, there is a lithium battery molded into the real-time clock. These batteries are not customer replaceable parts.

System Unit Cover

You must remove the cover of your Sun computer system unit to add cards, memory, or internal storage devices. Be sure to replace the cover before powering on your computer system.



Caution – Do not operate Sun products without the cover in place. Failure to take this precaution may result in personal injury and system damage.

Rack System Warning

The following warnings apply to Racks and Rack Mounted systems.



Caution – For safety, equipment should always be loaded from the bottom up. That is, install the equipment that will be mounted in the lowest part of the rack first, then the next higher systems, etc.



Caution – To prevent the rack from tipping during equipment installation, the anti-tilt bar on the rack must be deployed.



Caution – To prevent extreme operating temperature within the rack insure that the maximum temperature does not exceed the product's ambient rated temperatures.



Caution – To prevent extreme operating temperatures due to reduced airflow consideration should be made to the amount of air flow that is required for a safe operation of the equipment.

Laser Compliance Notice

Sun products that use laser technology comply with Class 1 laser requirements.

Class 1 Laser Product
Luokan 1 Laserlaitte
Klasse 1 Laser Apparat
Laser Klasse 1

CD and DVD Devices

The following caution applies to CD, DVD, and other optical devices.



Caution – Use of controls, adjustments, or the performance of procedures other than those specified herein may result in hazardous radiation exposure.

Conformité aux normes de sécurité

Veillez lire attentivement cette section avant de commencer. Ce texte traite des mesures de sécurité qu'il convient de prendre pour l'installation d'un produit Sun Microsystems.

Mesures de sécurité

Pour votre sécurité, nous vous recommandons de suivre scrupuleusement les mesures de sécurité ci-dessous lorsque vous installez votre matériel:

- Suivez tous les avertissements et toutes les instructions inscrites sur le matériel.
- Assurez-vous que la tension et la fréquence de votre source d'alimentation correspondent à la tension et à la fréquence indiquées sur l'étiquette de la tension électrique nominale du matériel
- N'introduisez jamais d'objets quels qu'ils soient dans les ouvertures de l'équipement. Vous pourriez vous trouver en présence de hautes tensions dangereuses. Tout objet étranger conducteur risque de produire un court-circuit pouvant présenter un risque d'incendie ou de décharge électrique, ou susceptible d'endommager le matériel.

Symboles

Vous trouverez ci-dessous la signification des différents symboles utilisés:



Attention – Vous risquez d'endommager le matériel ou de vous blesser. Veuillez suivre les instructions.



Attention – Surfaces brûlantes. Evitez tout contact. Les surfaces sont brûlantes. Vous risquez de vous blesser si vous les touchez.



Attention – Tensions dangereuses. Pour réduire les risques de décharge électrique et de danger physique, observez les consignes indiquées.

Selon le type d'interrupteur marche/arrêt dont votre appareil est équipé, l'un des symboles suivants sera utilisé:



Marche – Met le système sous tension alternative.



Arrêt – Met le système hors tension alternative.



Veilleuse – L'interrupteur Marche/Veille est sur la position de veille.

Modification du matériel

N'apportez aucune modification mécanique ou électrique au matériel. Sun Microsystems décline toute responsabilité quant à la non-conformité éventuelle d'un produit Sun modifié.

Positionnement d'un produit Sun



Attention – Evitez d'obstruer ou de recouvrir les orifices de votre produit Sun. N'installez jamais un produit Sun près d'un radiateur ou d'une source de chaleur. Si vous ne respectez pas ces consignes, votre produit Sun risque de surchauffer et son fonctionnement en sera altéré.

Niveau de pression acoustique

Le niveau de pression acoustique du lieu de travail définie par la norme DIN 45 635 Part 1000 doit être au maximum de 70 db(A).

Conformité SELV

Le niveau de sécurité des connexions E/S est conforme aux normes SELV.

Connexion du cordon d'alimentation



Attention – Les produits Sun sont conçus pour fonctionner avec des systèmes d'alimentation équipés d'un conducteur neutre relié à la terre (conducteur neutre pour produits alimentés en CC). Pour réduire les risques de décharge électrique, ne branchez jamais les produits Sun sur une source d'alimentation d'un autre type. Contactez le gérant de votre bâtiment ou un électricien agréé si vous avez le moindre doute quant au type d'alimentation fourni dans votre bâtiment.



Attention – Tous les cordons d'alimentation ne présentent pas les mêmes caractéristiques électriques. Les cordons d'alimentation à usage domestique ne sont pas protégés contre les surtensions et ne sont pas conçus pour être utilisés avec des ordinateurs. N'utilisez jamais de cordon d'alimentation à usage domestique avec les produits Sun.

L'avertissement suivant s'applique uniquement aux systèmes équipés d'un interrupteur Veille:



Attention – L'interrupteur d'alimentation de ce produit fonctionne uniquement comme un dispositif de mise en veille. Le cordon d'alimentation constitue le moyen principal de déconnexion de l'alimentation pour le système. Assurez-vous de le brancher dans une prise d'alimentation mise à la terre près du système et facile d'accès. Ne le branchez pas lorsque l'alimentation électrique ne se trouve pas dans le châssis du système.

L'avertissement suivant s'applique uniquement aux systèmes équipés de plusieurs cordons d'alimentation:



Attention – Pour mettre un système équipé de plusieurs cordons d'alimentation hors tension, il est nécessaire de débrancher tous les cordons d'alimentation.

Mise en garde relative aux batteries



Attention – Les batteries risquent d'exploser en cas de manipulation maladroite ou de remplacement incorrect. Pour les systèmes dont les batteries sont remplaçables, effectuez les remplacements uniquement selon le modèle du fabricant ou un modèle équivalent recommandé par le fabricant, conformément aux instructions fournies dans le manuel de service du système. N'essayez en aucun cas de démonter les batteries, ni de les recharger hors du système. Ne les jetez pas au feu. Mettez-les au rebut selon les instructions du fabricant et conformément à la législation locale en vigueur. Notez que sur les cartes processeur de Sun, une batterie au lithium a été moulée dans l'horloge temps réel. Les batteries ne sont pas des pièces remplaçables par le client.



Attention – Afin d'éviter que le rack ne penche pendant l'installation du matériel, tirez la barre anti-basculement du rack.



Attention – Pour éviter des températures de fonctionnement extrêmes dans le rack, assurez-vous que la température maximale ne dépasse pas la fourchette de températures ambiantes du produit déterminée par le fabricant.



Attention – Afin d'empêcher des températures de fonctionnement extrêmes provoquées par une aération insuffisante, assurez-vous de fournir une aération appropriée pour un fonctionnement du matériel en toute sécurité

Couvercle de l'unité

Pour ajouter des cartes, de la mémoire ou des périphériques de stockage internes, vous devez retirer le couvercle de votre système Sun. Remettez le couvercle supérieur en place avant de mettre votre système sous tension.



Attention – Ne mettez jamais des produits Sun sous tension si leur couvercle supérieur n'est pas mis en place. Si vous ne prenez pas ces précautions, vous risquez de vous blesser ou d'endommager le système.

Avis de conformité des appareils laser

Les produits Sun qui font appel aux technologies lasers sont conformes aux normes de la classe 1 en la matière.

Class 1 Laser Product
Luokan 1 Laserlaite
Klasse 1 Laser Apparat
Laser Klasse 1

Mise en garde relative au système en rack

La mise en garde suivante s'applique aux racks et aux systèmes montés en rack.



Attention – Pour des raisons de sécurité, le matériel doit toujours être chargé du bas vers le haut. En d'autres termes, vous devez installer, en premier, le matériel qui doit se trouver dans la partie la plus inférieure du rack, puis installer le matériel sur le niveau suivant, etc.



Périphériques CD et DVD

L'avertissement suivant s'applique aux périphériques CD, DVD et autres périphériques optiques:

Attention – L'utilisation de contrôles et de réglages ou l'application de procédures autres que ceux spécifiés dans le présent document peuvent entraîner une exposition à des radiations dangereuses.

Einhaltung sicherheitsbehördlicher Vorschriften

Lesen Sie vor dem Ausführen von Arbeiten diesen Abschnitt. Im folgenden Text werden Sicherheitsvorkehrungen beschrieben, die Sie bei der Installation eines Sun Microsystems-Produkts beachten müssen.

Sicherheitsvorkehrungen

Treffen Sie zu Ihrem eigenen Schutz bei der Installation des Geräts die folgenden Sicherheitsvorkehrungen:

- Beachten Sie alle auf den Geräten angebrachten Warnhinweise und Anweisungen.
- Stellen Sie sicher, dass Spannung und Frequenz der Stromversorgung den Nennleistungen auf dem am Gerät angebrachten Etikett entsprechen.
- Führen Sie niemals Fremdoobjekte in die Öffnungen am Gerät ein. Es können gefährliche Spannungen anliegen. Leitfähige Fremdoobjekte können einen Kurzschluss verursachen, der einen Brand, Stromschlag oder Geräteschaden herbeiführen kann.

Symbole

Die Symbole in diesem Handbuch haben folgende Bedeutung:



Achtung – Gefahr von Verletzung und Geräteschaden. Befolgen Sie die Anweisungen.



Achtung – Heiße Oberfläche. Nicht berühren, da Verletzungsgefahr durch heiße Oberfläche besteht.



Achtung – Gefährliche Spannungen. Befolgen Sie die Anweisungen, um Stromschläge und Verletzungen zu vermeiden.

Je nach Netzschaltertyp an Ihrem Gerät kann eines der folgenden Symbole verwendet werden:



Ein – Versorgt das System mit Wechselstrom.



Aus – Unterbricht die Wechselstromzufuhr zum Gerät.



Wartezustand – Der Ein-/Standby-Netzschalter befindet sich in der Standby-Position.

Modifikationen des Geräts

Nehmen Sie keine elektrischen oder mechanischen Gerätemodifikationen vor. Sun Microsystems ist für die Einhaltung der Sicherheitsvorschriften von modifizierten Sun-Produkten nicht haftbar.

Aufstellung von Sun-Geräten



Achtung – Geräteöffnungen Ihres Sun-Produkts dürfen nicht blockiert oder abgedeckt werden. Sun-Geräte sollten niemals in der Nähe von Heizkörpern oder Heißluftklappen aufgestellt werden. Die Nichtbeachtung dieser Richtlinien kann Überhitzung verursachen und die Zuverlässigkeit Ihres Sun-Geräts beeinträchtigen.

Lautstärke

Gemäß den in DIN 45 635 Teil 1000 definierten Vorschriften beträgt die arbeitsplatzbedingte Lautstärke dieses Produkts weniger als 70 dB(A).

SELV-Konformität

Der Sicherheitsstatus der E/A-Verbindungen entspricht den SELV-Anforderungen.

Anschluss des Netzkabels



Achtung – Sun-Geräte sind für Stromversorgungssysteme mit einem geerdeten neutralen Leiter (geerdeter Rückleiter bei gleichstrombetriebenen Geräten) ausgelegt. Um die Gefahr von Stromschlägen zu vermeiden, schließen Sie das Gerät niemals an andere Stromversorgungssysteme an. Wenden Sie sich an den zuständigen Gebäudeverwalter oder an einen qualifizierten Elektriker, wenn Sie nicht sicher wissen, an welche Art von Stromversorgungssystem Ihr Gebäude angeschlossen ist.



Achtung – Nicht alle Netzkabel verfügen über die gleichen Nennwerte. Herkömmliche, im Haushalt verwendete Verlängerungskabel besitzen keinen Überlastschutz und sind daher für Computersysteme nicht geeignet. Verwenden Sie bei Ihrem Sun-Produkt keine Haushalts-Verlängerungskabel.

Die folgende Warnung gilt nur für Geräte mit Standby-Netzschalter:



Achtung – Beim Netzschalter dieses Geräts handelt es sich nur um einen Ein/Standby-Schalter. Zum völligen Abtrennen des Systems von der Stromversorgung dient hauptsächlich das Netzkabel. Stellen Sie sicher, dass das Netzkabel an eine frei zugängliche geerdete Steckdose in der Nähe des Systems angeschlossen ist. Schließen Sie das Stromkabel nicht an, wenn die Stromversorgung vom Systemchassis entfernt wurde.

Die folgende Warnung gilt nur für Geräte mit mehreren Netzkabeln:



Achtung – Bei Produkten mit mehreren Netzkabeln müssen alle Netzkabel abgetrennt werden, um das System völlig von der Stromversorgung zu trennen.

Warnung bezüglich Batterien



Achtung – Bei unsachgemäßer Handhabung oder nicht fachgerechtem Austausch der Batterien besteht Explosionsgefahr. Verwenden Sie bei Systemen mit austauschbaren Batterien ausschließlich Ersatzbatterien desselben Typs und Herstellers bzw. einen entsprechenden, vom Hersteller gemäß den Anweisungen im Service-Handbuch des Produkts empfohlenen Batterietyp. Versuchen Sie nicht, die Batterien auszubauen oder außerhalb des Systems wiederaufzuladen. Werfen Sie die Batterien nicht ins Feuer. Entsorgen Sie die Batterien entsprechend den Anweisungen des Herstellers und den vor Ort geltenden Vorschriften. CPU-Karten von Sun verfügen über eine Echtzeituhr mit integrierter Lithiumbatterie. Diese Batterie darf nur von einem qualifizierten Servicetechniker ausgetauscht werden.

Gehäuseabdeckung

Sie müssen die Abdeckung Ihres Sun-Computersystems entfernen, um Karten, Speicher oder interne Speichergeräte hinzuzufügen. Bringen Sie vor dem Einschalten des Systems die Gehäuseabdeckung wieder an.



Achtung – Nehmen Sie Sun-Geräte nicht ohne Abdeckung in Betrieb. Die Nichtbeachtung dieses Warnhinweises kann Verletzungen oder Geräteschaden zur Folge haben.

Warnungen bezüglich in Racks eingebauter Systeme

Die folgenden Warnungen gelten für Racks und in Racks eingebaute Systeme:



Achtung – Aus Sicherheitsgründen sollten sämtliche Geräte von unten nach oben in Racks eingebaut werden. Installieren Sie also zuerst die Geräte, die an der untersten Position im Rack eingebaut werden, gefolgt von den Systemen, die an nächsthöherer Stelle eingebaut werden, usw.



Achtung – Verwenden Sie beim Einbau den Kippschutz am Rack, um ein Umkippen zu vermeiden.



Achtung – Um extreme Betriebstemperaturen im Rack zu vermeiden, stellen Sie sicher, dass die Maximaltemperatur die Nennleistung der Umgebungstemperatur für das Produkt nicht überschreitet



Achtung – Um extreme Betriebstemperaturen durch verringerte Luftzirkulation zu vermeiden, sollte die für den sicheren Betrieb des Geräts erforderliche Luftzirkulation eingesetzt werden.

Hinweis zur Laser-Konformität

Sun-Produkte, die die Laser-Technologie verwenden, entsprechen den Laser-Anforderungen der Klasse 1.

Class 1 Laser Product
Luokan 1 Laserlaite
Klasse 1 Laser Apparat
Laser Klasse 1

CD- und DVD-Geräte

Die folgende Warnung gilt für CD-, DVD- und andere optische Geräte:



Achtung – Die hier nicht aufgeführte Verwendung von Steuerelementen, Anpassungen oder Ausführung von Vorgängen kann eine gefährliche Strahlenbelastung verursachen.

Normativas de seguridad

Lea esta sección antes de realizar cualquier operación. En ella se explican las medidas de seguridad que debe tomar al instalar un producto de Sun Microsystems.

Medidas de seguridad

Para su protección, tome las medidas de seguridad siguientes durante la instalación del equipo:

- Siga todos los avisos e instrucciones indicados en el equipo.
- Asegúrese de que el voltaje y frecuencia de la fuente de alimentación coincidan con el voltaje y frecuencia indicados en la etiqueta de clasificación eléctrica del equipo.
- No introduzca objetos de ningún tipo por las rejillas del equipo, ya que puede quedar expuesto a voltajes peligrosos. Los objetos conductores extraños pueden producir cortocircuitos y, en consecuencia, incendios, descargas eléctricas o daños en el equipo.

Símbolos

En este documento aparecen los siguientes símbolos:



Precaución – Existe el riesgo de que se produzcan lesiones personales y daños en el equipo. Siga las instrucciones.



Precaución – Superficie caliente. Evite todo contacto. Las superficies están calientes y pueden causar lesiones personales si se tocan.



Precaución – Voltaje peligroso. Para reducir el riesgo de descargas eléctricas y lesiones personales, siga las instrucciones.

En función del tipo de interruptor de alimentación del que disponga el dispositivo, se utilizará uno de los símbolos siguientes:



Encendido – Suministra alimentación de CA al sistema.



Apagado – Corta la alimentación de CA del sistema.



Espera – El interruptor de encendido/espera está en la posición de espera.

Modificaciones en el equipo

No realice modificaciones de tipo mecánico ni eléctrico en el equipo. Sun Microsystems no se hace responsable del cumplimiento de normativas en caso de que un producto Sun se haya modificado.

Colocación de un producto Sun



Precaución – No obstruya ni tape las rejillas del producto Sun. Nunca coloque un producto Sun cerca de radiadores ni fuentes de calor. Si no sigue estas indicaciones, el producto Sun podría sobrecalentarse y la fiabilidad de su funcionamiento se vería afectada.

Nivel de ruido

De conformidad con los requisitos establecidos en el apartado 1000 de la norma DIN 45635, el nivel de ruido en el lugar de trabajo producido por este producto es menor de 70 db(A).

Cumplimiento de la normativa para instalaciones SELV

Las condiciones de seguridad de las conexiones de entrada y salida cumplen los requisitos para instalaciones SELV (del inglés *Safe Extra Low Voltage*, voltaje bajo y seguro).

Conexión del cable de alimentación



Precaución – Los productos Sun se han diseñado para funcionar con sistemas de alimentación que cuenten con un conductor neutro a tierra (con conexión a tierra de regreso para los productos con alimentación de CC). Para reducir el riesgo de descargas eléctricas, no conecte ningún producto Sun a otro tipo de sistema de alimentación. Póngase en contacto con el encargado de las instalaciones de su empresa o con un electricista cualificado en caso de que no esté seguro del tipo de alimentación del que se dispone en el edificio.



Precaución – No todos los cables de alimentación tienen la misma clasificación eléctrica. Los alargadores de uso doméstico no cuentan con protección frente a sobrecargas y no están diseñados para su utilización con sistemas informáticos. No utilice alargadores de uso doméstico con el producto Sun.

La siguiente medida solamente se aplica a aquellos dispositivos que dispongan de un interruptor de alimentación de espera:



Precaución – El interruptor de alimentación de este producto funciona solamente como un dispositivo de espera. El cable de alimentación hace las veces de dispositivo de desconexión principal del sistema. Asegúrese de que conecta el cable de alimentación a una toma de tierra situada cerca del sistema y de fácil acceso. No conecte el cable de alimentación si la unidad de alimentación no se encuentra en el bastidor del sistema.

La siguiente medida solamente se aplica a aquellos dispositivos que dispongan de varios cables de alimentación:



Precaución – En los productos que cuentan con varios cables de alimentación, debe desconectar todos los cables de alimentación para cortar por completo la alimentación eléctrica del sistema.

Advertencia sobre las baterías



Precaución – Si las baterías no se manipulan o reemplazan correctamente, se corre el riesgo de que estallen. En los sistemas que cuentan con baterías reemplazables, reemplácelas sólo con baterías del mismo fabricante y el mismo tipo, o un tipo equivalente recomendado por el fabricante, de acuerdo con las instrucciones descritas en el manual de servicio del producto. No desmonte las baterías ni intente recargarlas fuera del sistema. No intente deshacerse de las baterías echándolas al fuego. Deshágase de las baterías correctamente de acuerdo con las instrucciones del fabricante y las normas locales. Tenga en cuenta que en las placas CPU de Sun, hay una batería de litio incorporada en el reloj en tiempo real. Los usuarios no deben reemplazar este tipo de baterías.

Cubierta de la unidad del sistema

Debe extraer la cubierta de la unidad del sistema informático Sun para instalar tarjetas, memoria o dispositivos de almacenamiento internos. Vuelva a colocar la cubierta antes de encender el sistema informático.



Precaución – No ponga en funcionamiento los productos Sun que no tengan colocada la cubierta. De lo contrario, puede sufrir lesiones personales y ocasionar daños en el sistema.

Advertencia sobre el sistema en bastidor

Las advertencias siguientes se aplican a los sistemas montados en bastidor y a los propios bastidores.



Precaución – Por seguridad, siempre deben montarse los equipos de abajo arriba. A saber, primero debe instalarse el equipo que se situará en el bastidor inferior; a continuación, el que se situará en el siguiente nivel, etc.



Precaución – Para evitar que el bastidor se vuelque durante la instalación del equipo, debe extenderse la barra antivolcado del bastidor.



Precaución – Para evitar que se alcance una temperatura de funcionamiento extrema en el bastidor, asegúrese de que la temperatura máxima no sea superior a la temperatura ambiente establecida como adecuada para el producto.



Precaución – Para evitar que se alcance una temperatura de funcionamiento extrema debido a una circulación de aire reducida, debe considerarse la magnitud de la circulación de aire requerida para que el equipo funcione de forma segura.

Aviso de cumplimiento de la normativa para la utilización de láser

Los productos Sun que utilizan tecnología láser cumplen los requisitos establecidos para los productos láser de clase 1.

Class 1 Laser Product
Luokan 1 Laserlaite
Klasse 1 Laser Apparat
Laser Klasse 1

Dispositivos de CD y DVD

La siguiente medida se aplica a los dispositivos de CD y DVD, así como a otros dispositivos ópticos:



Precaución – La utilización de controles, ajustes o procedimientos distintos a los aquí especificados puede dar lugar a niveles de radiación peligrosos.

Nordic Lithium Battery Cautions

Norge



Advarsel – Litiumbatteri — Eksplosjonsfare. Ved utskifting benyttes kun batteri som anbefalt av apparatfabrikanten. Brukt batteri returneres apparatleverandøren.

Sverige



Varning – Explosionsfara vid felaktigt batteribyte. Använd samma batterityp eller en ekvivalent typ som rekommenderas av apparattillverkaren. Kassera använt batteri enligt fabrikantens instruktion.

Danmark



Advarsel! – Litiumbatteri — Eksplosionsfare ved fejlagtig håndtering. Udskiftning må kun ske med batteri af samme fabrikat og type. Levér det brugte batteri tilbage til leverandøren.

Suomi



Varoitus – Paristo voi räjähtää, jos se on virheellisesti asennettu. Vaihda paristo ainoastaan laitevalmistajan suosittelemaan tyyppiin. Hävitä käytetty paristo valmistajan ohjeiden mukaisesti.
