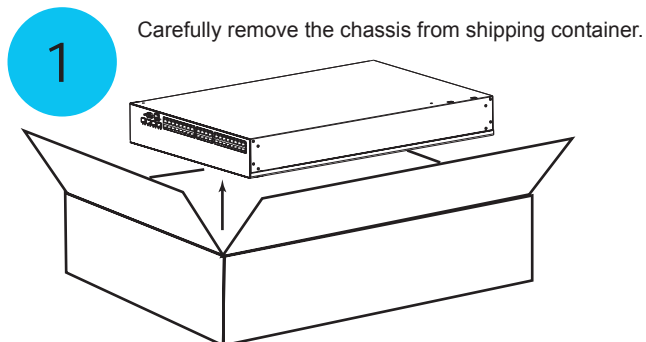


# Sun N2000 Series Release 2.0 - Quick Installation

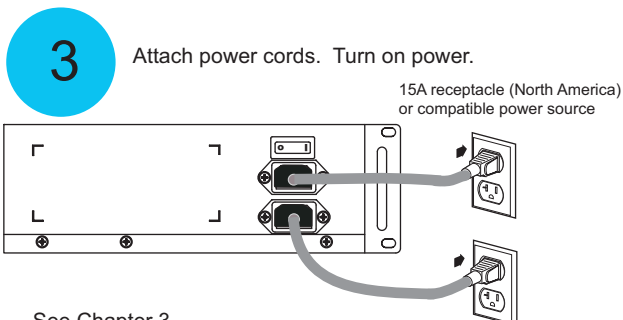
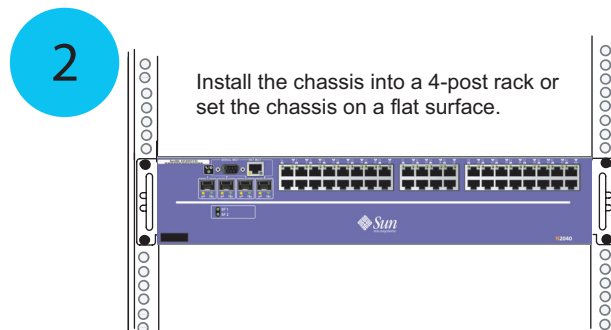
## What's Inside the Box?

- Sun™ N2000 Series application switch
- Rack installation hardware
- Power and console cables
- N2000 Series Technical Documentation CD
- Printed copies of Release Notes and Hardware Installation and Startup Guide

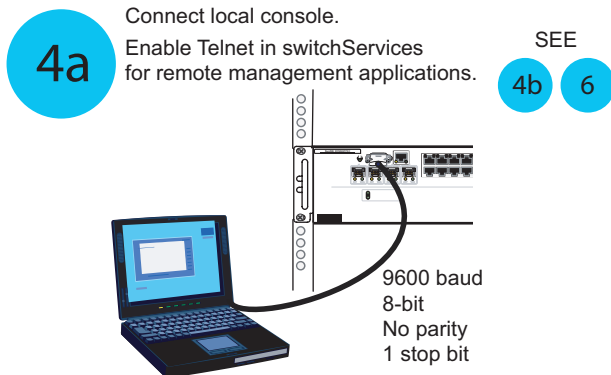
## Quick Installation Steps



See Chapter 2  
Sun N2000 Series Hardware Installation and Startup Guide



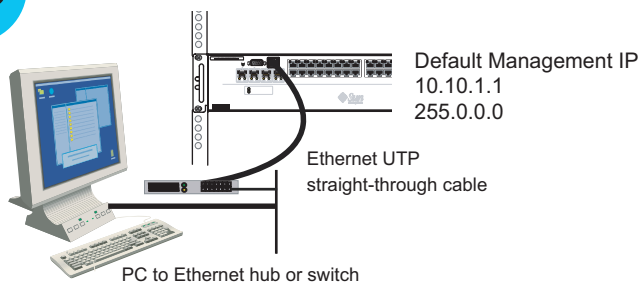
See Chapter 3  
Sun N2000 Series Hardware Installation and Startup Guide



## Sun N2000 Series Release 2.0 - Quick Installation (continued)

4b

For remote management applications over Telnet, connect to the out-of-band 10/100 MGMT port.



6

Log in from console, enter config mode, and enable management access.

```
username> admin
password> admin
sun> enable
sun> config
sun      (config)# switchServices
...switchServices)# httpd enabled
...switchServices)# tftpd enabled
...switchServices)# telnet enabled
```

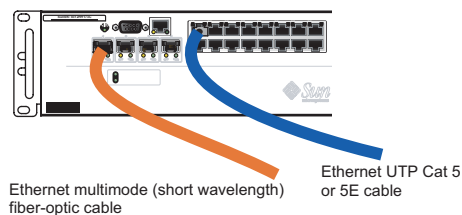
For remote Web interface access:

1. Open Web browser.
2. Choose File > Open.
3. Enter HTTP://10.10.1.1.

See Chapter 1  
Sun N2000 Series System Administration Guide

5

Connect network cables.



See Chapter 3  
Sun N2000 Series Hardware Installation and Startup Guide

7

Configure the system.

Refer to the Technical Documentation CD to:

- Configure system vSwitch, management vRouter, shared vRouter, IP routing, and interfaces.
- Configure operator-defined vSwitches, real and virtual services, server health checks, SSL, etc.
- Administer the system.