



## Sun™ N2000 Series – Rackmounting Kit

Copyright 2005 Sun Microsystems, Inc., 4150 Network Circle, Santa Clara, California 95054, U.S.A. All rights reserved.

Sun Microsystems, Inc. has intellectual property rights relating to technology that is described in this document. In particular, and without limitation, these intellectual property rights may include one or more of the U.S. patents listed at <http://www.sun.com/patents> and one or more additional patents or pending patent applications in the U.S. and in other countries.

This document and the product to which it pertains are distributed under licenses restricting their use, copying, distribution, and decompilation. No part of the product or of this document may be reproduced in any form by any means without prior written authorization of Sun and its licensors, if any.

Third-party software, including font technology, is copyrighted and licensed from Sun suppliers. Parts of the product may be derived from Berkeley BSD systems, licensed from the University of California. UNIX is a registered trademark in the U.S. and in other countries, exclusively licensed through X/Open Company, Ltd.

Sun, Sun Microsystems, the Sun logo, Java, AnswerBook2, docs.sun.com, and Solaris are trademarks or registered trademarks of Sun Microsystems, Inc. in the U.S. and in other countries.

All SPARC trademarks are used under license and are trademarks or registered trademarks of SPARC International, Inc. in the U.S. and in other countries. Products bearing SPARC trademarks are based upon an architecture developed by Sun Microsystems, Inc.

The OPEN LOOK and Sun™ Graphical User Interface was developed by Sun Microsystems, Inc. for its users and licensees. Sun acknowledges the pioneering efforts of Xerox in researching and developing the concept of visual or graphical user interfaces for the computer industry. Sun holds a non-exclusive license from Xerox to the Xerox Graphical User Interface, which license also covers Sun's licensees who implement OPEN LOOK GUIs and otherwise comply with Sun's written license agreements.

U.S. Government Rights—Commercial use. Government users are subject to the Sun Microsystems, Inc. standard license agreement and applicable provisions of the FAR and its supplements.

**DOCUMENTATION IS PROVIDED "AS IS" AND ALL EXPRESS OR IMPLIED CONDITIONS, REPRESENTATIONS AND WARRANTIES, INCLUDING ANY IMPLIED WARRANTY OF MERCHANTABILITY, FITNESS FOR A PARTICULAR PURPOSE OR NON-INFRINGEMENT, ARE DISCLAIMED, EXCEPT TO THE EXTENT THAT SUCH DISCLAIMERS ARE HELD TO BE LEGALLY INVALID.**



# Sun N2000 Series – Rackmounting Kit

---

This document provides information about installing the Sun N2000 Series into one of the following Sun racks:

- Sun Rack 900-38
- Sun Rack 900-36N
- Sun Rack 1000-38
- Sun Rack 1000-42

To mount the switch into one of the above listed Sun racks, use the brackets provided with this rackmounting kit (X3792A). These brackets enable you to install the switch so that there is approximately 2 inches of space from the front of the switch to the front rack rails. This 2-inch clearance allows you to close the rack doors once the switch is installed in the rack.

---

**Note** – Before installing the N2000 Series chassis into a rack, refer to the N2000 technical and environmental specifications in the *Sun N2000 Series – Hardware Installation Guide*.

---

# Contents of the Rackmounting Kit

The rackmounting kit includes the following items:

- Front chassis brackets (2)
- Rear chassis brackets (2)
- Rear brackets that attach to the rack (2)
- Screws for attaching the chassis brackets (16)

---

**Note** – For a pictorial of each type of bracket, see FIGURE 1 and FIGURE 2.

---

## Installing the Front and Rear Brackets on the Chassis

1. **Line up the four screw holes in the chassis bracket with the screw holes on the side of the chassis.**
2. **Using a No. 2 Phillips screwdriver and four screws from the rackmounting kit, secure the bracket to the chassis. See FIGURE 1 for the locations of the screw holes.**
3. **Repeat steps 1 and 2 for each of the other three brackets to be installed on the chassis.**

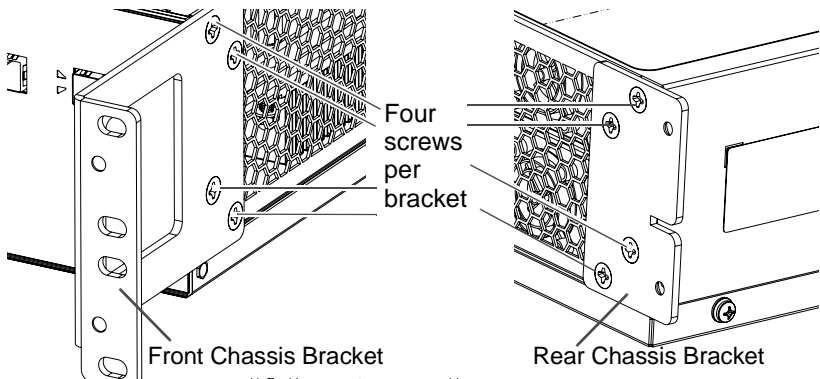


FIGURE 1 Front and Rear Chassis Brackets

## Securing the Chassis to the Rack

1. Using the screws supplied with the cabinet, attach one rear mounting bracket to the left rear post of the rack and one bracket to the right rear post of the rack. See FIGURE 2 for screw hole locations.

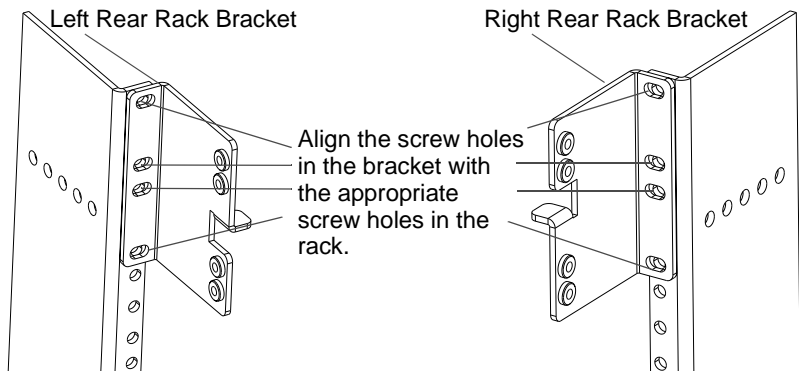
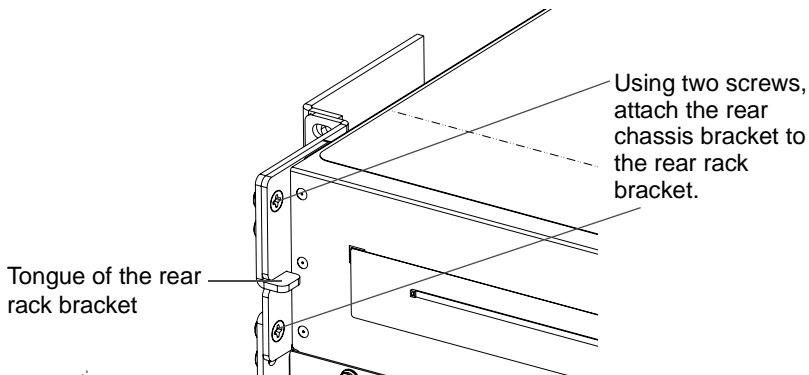


FIGURE 2 Left and right rear rack brackets

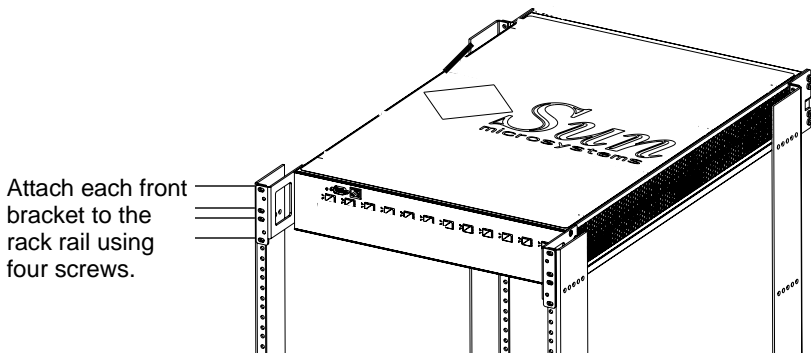
## 2. Lift and position the chassis within the rack.

- a. **Slide the slot of each rear chassis bracket over the tongue of each rear bracket that you attached to the rack in step 1. See FIGURE 3, which shows how to position the left rear chassis bracket over the rear rack bracket.**
- b. **Using two screws, secure each rear chassis bracket to the rear bracket that you attached to the rack in step 1. See FIGURE 3 for screw hole locations.**



**FIGURE 3** Securing the Rear of the Chassis in the Rack

- 3. Align the screw holes of the front chassis brackets with the corresponding screw holes in the rack posts.**
- 4. Using the screws supplied with the cabinet, secure the front chassis brackets to the front rack posts. See FIGURE 4.**



Attach each front bracket to the rack rail using four screws.

FIGURE 4 Securing the Front of the Chassis in the Rack

## What Next

The next steps are to connect the power cords and cables and to power on the switch. See the *Sun N2000 Series – Hardware Installation Guide* to continue the installation procedure.



Copyright 2005 Sun Microsystems, Inc., 4150 Network Circle, Santa Clara, California 95054, Etats-Unis. Tous droits réservés.

Sun Microsystems, Inc. a les droits de propriété intellectuels relatants à la technologie qui est décrit dans ce document. En particulier, et sans la limitation, ces droits de propriété intellectuels peuvent inclure un ou plus des brevets américains énumérés à <http://www.sun.com/patents> et un ou les brevets plus supplémentaires ou les applications de brevet en attente dans les Etats-Unis et dans les autres pays.

Ce produit ou document est protégé par un copyright et distribué avec des licences qui en restreignent l'utilisation, la copie, la distribution, et la décompilation. Aucune partie de ce produit ou document ne peut être reproduite sous aucune forme, par quelque moyen que ce soit, sans l'autorisation préalable et écrite de Sun et de ses bailleurs de licence, s'il y en a.

Le logiciel détenu par des tiers, et qui comprend la technologie relative aux polices de caractères, est protégé par un copyright et licencié par des fournisseurs de Sun.

Des parties de ce produit pourront être dérivées des systèmes Berkeley BSD licenciés par l'Université de Californie. UNIX est une marque déposée aux Etats-Unis et dans d'autres pays et licenciée exclusivement par X/Open Company, Ltd.

Sun, Sun Microsystems, le logo Sun, Java, AnswerBook2, docs.sun.com, et Solaris sont des marques de fabrique ou des marques déposées de Sun Microsystems, Inc. aux Etats-Unis et dans d'autres pays.

Toutes les marques SPARC sont utilisées sous licence et sont des marques de fabrique ou des marques déposées de SPARC International, Inc. aux Etats-Unis et dans d'autres pays. Les produits portant les marques SPARC sont basés sur une architecture développée par Sun Microsystems, Inc.

L'interface d'utilisation graphique OPEN LOOK et Sun™ a été développée par Sun Microsystems, Inc. pour ses utilisateurs et licenciés. Sun reconnaît les efforts de pionniers de Xerox pour la recherche et le développement du concept des interfaces d'utilisation visuelle ou graphique pour l'industrie de l'informatique. Sun détient une licence non exclusive de Xerox sur l'interface d'utilisation graphique Xerox, cette licence couvrant également les licenciées de Sun qui mettent en place l'interface d'utilisation graphique OPEN LOOK et qui en outre se conforment aux licences écrites de Sun.

LA DOCUMENTATION EST FOURNIE "EN L'ÉTAT" ET TOUTES AUTRES CONDITIONS, DECLARATIONS ET GARANTIES EXPRESSES OU TACITES SONT FORMELLEMENT EXCLUES, DANS LA MESURE AUTORISÉE PAR LA LOI APPLICABLE, Y COMPRIS NOTAMMENT TOUTE GARANTIE IMPLICITE RELATIVE A LA QUALITE MARCHANDE, A L'APTITUDE A UNE UTILISATION PARTICULIERE OU A L'ABSENCE DE CONTREFAÇON.



Sun Microsystems, Inc.  
[www.sun.com](http://www.sun.com)

Part No. 819-3627-10, Rev. A  
September 2005