



Sun Enterprise™ 450 Server

480-MHz CPU Module Guide

Guide du module processeur à 480 MHz

Handbuch zu CPU-Modulen mit 480 MHz

Guida ai moduli CPU a 480 MHz

Guía de los módulos de CPU de 480 MHz

480-MHz CPU-modulhandbok

Sun Microsystems, Inc.
901 San Antonio Road
Palo Alto, CA 94303
U.S.A. 650-960-1300

Part No. 806-4664-11
August 2000, Revision A

Send comments about this document to: docfeedback@sun.com

Copyright 2000 Sun Microsystems, Inc., 901 San Antonio Road • Palo Alto, CA 94303-4900 USA. All rights reserved.

This product or document is protected by copyright and distributed under licenses restricting its use, copying, distribution, and decompilation. No part of this product or document may be reproduced in any form by any means without prior written authorization of Sun and its licensors, if any. Third-party software, including font technology, is copyrighted and licensed from Sun suppliers.

Parts of the product may be derived from Berkeley BSD systems, licensed from the University of California. UNIX is a registered trademark in the U.S. and other countries, exclusively licensed through X/Open Company, Ltd. For Netscape Communicator™, the following notice applies: Copyright 1995 Netscape Communications Corporation. All rights reserved.

Sun, Sun Microsystems, the Sun logo, AnswerBook2, docs.sun.com, Sun Enterprise, SunCD, and Solaris are trademarks, registered trademarks, or service marks of Sun Microsystems, Inc. in the U.S. and other countries. All SPARC trademarks are used under license and are trademarks or registered trademarks of SPARC International, Inc. in the U.S. and other countries. Products bearing SPARC trademarks are based upon an architecture developed by Sun Microsystems, Inc.

The OPEN LOOK and Sun™ Graphical User Interface was developed by Sun Microsystems, Inc. for its users and licensees. Sun acknowledges the pioneering efforts of Xerox in researching and developing the concept of visual or graphical user interfaces for the computer industry. Sun holds a non-exclusive license from Xerox to the Xerox Graphical User Interface, which license also covers Sun's licensees who implement OPEN LOOK GUIs and otherwise comply with Sun's written license agreements.

RESTRICTED RIGHTS: Use, duplication, or disclosure by the U.S. Government is subject to restrictions of FAR 52.227-14(g)(2)(6/87) and FAR 52.227-19(6/87), or DFAR 252.227-7015(b)(6/95) and DFAR 227.7202-3(a).

DOCUMENTATION IS PROVIDED "AS IS" AND ALL EXPRESS OR IMPLIED CONDITIONS, REPRESENTATIONS AND WARRANTIES, INCLUDING ANY IMPLIED WARRANTY OF MERCHANTABILITY, FITNESS FOR A PARTICULAR PURPOSE OR NON-INFRINGEMENT, ARE DISCLAIMED, EXCEPT TO THE EXTENT THAT SUCH DISCLAIMERS ARE HELD TO BE LEGALLY INVALID.



Regulatory Compliance Statements

Your Sun product is marked to indicate its compliance class:

- Federal Communications Commission (FCC) — USA
- Industry Canada Equipment Standard for Digital Equipment (ICES-003) — Canada
- Voluntary Control Council for Interference (VCCI) — Japan
- Bureau of Standards Metrology and Inspection (BSMI) — Taiwan

Please read the appropriate section that corresponds to the marking on your Sun product before attempting to install the product.

FCC Class A Notice

This device complies with Part 15 of the FCC Rules. Operation is subject to the following two conditions:

1. This device may not cause harmful interference.
2. This device must accept any interference received, including interference that may cause undesired operation.

Note: This equipment has been tested and found to comply with the limits for a Class A digital device, pursuant to Part 15 of the FCC Rules. These limits are designed to provide reasonable protection against harmful interference when the equipment is operated in a commercial environment. This equipment generates, uses, and can radiate radio frequency energy, and if it is not installed and used in accordance with the instruction manual, it may cause harmful interference to radio communications. Operation of this equipment in a residential area is likely to cause harmful interference, in which case the user will be required to correct the interference at his own expense.

Shielded Cables: Connections between the workstation and peripherals must be made using shielded cables to comply with FCC radio frequency emission limits. Networking connections can be made using unshielded twisted-pair (UTP) cables.

Modifications: Any modifications made to this device that are not approved by Sun Microsystems, Inc. may void the authority granted to the user by the FCC to operate this equipment.

FCC Class B Notice

This device complies with Part 15 of the FCC Rules. Operation is subject to the following two conditions:

1. This device may not cause harmful interference.
2. This device must accept any interference received, including interference that may cause undesired operation.

Note: This equipment has been tested and found to comply with the limits for a Class B digital device, pursuant to Part 15 of the FCC Rules. These limits are designed to provide reasonable protection against harmful interference in a residential installation. This equipment generates, uses and can radiate radio frequency energy and, if not installed and used in accordance with the instructions, may cause harmful interference to radio communications. However, there is no guarantee that interference will not occur in a particular installation. If this equipment does cause harmful interference to radio or television reception, which can be determined by turning the equipment off and on, the user is encouraged to try to correct the interference by one or more of the following measures:

- Reorient or relocate the receiving antenna.
- Increase the separation between the equipment and receiver.
- Connect the equipment into an outlet on a circuit different from that to which the receiver is connected.
- Consult the dealer or an experienced radio/television technician for help.

Shielded Cables: Connections between the workstation and peripherals must be made using shielded cables in order to maintain compliance with FCC radio frequency emission limits. Networking connections can be made using unshielded twisted pair (UTP) cables.

Modifications: Any modifications made to this device that are not approved by Sun Microsystems, Inc. may void the authority granted to the user by the FCC to operate this equipment.

ICES-003 Class A Notice - Avis NMB-003, Classe A

This Class A digital apparatus complies with Canadian ICES-003.

Cet appareil numérique de la classe A est conforme à la norme NMB-003 du Canada.

ICES-003 Class B Notice - Avis NMB-003, Classe B

This Class B digital apparatus complies with Canadian ICES-003.

Cet appareil numérique de la classe B est conforme à la norme NMB-003 du Canada.


VCCI 基準について

クラス A VCCI 基準について

クラス A VCCI の表示があるワークステーションおよびオプション製品は、クラス A 情報技術装置です。これらの製品には、下記の項目が該当します。

この装置は、情報処理装置等電波障害自主規制協議会 (VCCI) の基準に基づくクラス A 情報技術装置です。この装置を家庭環境で使用すると電波妨害を引き起こすことがあります。この場合には使用者が適切な対策を講ずるよう要求されることがあります。

クラス B VCCI 基準について

クラス B VCCI の表示  があるワークステーションおよびオプション製品は、クラス B 情報技術装置です。これらの製品には、下記の項目が該当します。

この装置は、情報処理装置等電波障害自主規制協議会 (VCCI) の基準に基づくクラス B 情報技術装置です。この装置は、家庭環境で使用することを目的としていますが、この装置がラジオやテレビジョン受信機に近接して使用されると、受信障害を引き起こすことがあります。取扱説明書に従って正しい取り扱いをしてください。

BSMI Class A Notice

The following statement is applicable to products shipped to Taiwan and marked as Class A on the product compliance label.

警告使用者：
這是甲類的資訊產品，在居住的環境中使用時，可能會造成射頻干擾，在這種情況下，使用者會被要求採取某些適當的對策。

Contents

Sun Enterprise 450 Server 480-MHz CPU Module Guide	en-1
Guide du module processeur à 480 MHz pour le serveur Sun Enterprise 450	fr-1
Sun Enterprise 450 Server Handbuch zu CPU-Modulen mit 480 MHz	de-1
Guida ai moduli CPU a 480 MHz per server Sun Enterprise 450	it-1
Servidor Sun Enterprise 450 Guía de los módulos de CPU de 480 MHz	es-1
Sun Enterprise 450 Server 480-MHz CPU-modulhandbok	sv-1

Sun Enterprise 450 Server 480-MHz CPU Module Guide

Use this guide with the *Ultra Enterprise 450 Server Owner's Guide* to configure and install your new UltraSPARC™ II 480-MHz CPU module. The information in this guide is an *addition* to the *Ultra Enterprise 450 Server Owner's Guide* supplied with your Sun Enterprise™ 450 server.

This guide contains the following topics:

- “Verifying Hardware, Firmware and Software Support” on page 1
- “Identifying UltraSPARC II CPU Modules” on page 4
- “Configuring the CPU Modules” on page 5
- “Setting the Main Logic Board Jumpers” on page 6
- “Removing or Installing a CPU Module” on page 7
- “Removing and Replacing the CPU Air Guide” on page 8

Verifying Hardware, Firmware and Software Support

If you are installing an UltraSPARC II 480-MHz CPU module into your server, use this guide for information in addition to the *Ultra Enterprise 450 Server Owner's Guide*.

If your system already has 480-MHz modules installed, and you are adding modules to the system, go to the section “Removing or Installing a CPU Module” on page 7.

If you purchased an upgrade to replace your UltraSPARC II 250-, 300- or 400-MHz CPU module(s) with UltraSPARC II 480-MHz CPU module(s), you must verify that the main logic board on your current server supports the faster module(s), and that the correct revision of the Sun Enterprise 450 OpenBoot™ firmware image is installed.

If you are upgrading the CPU module speed and installing CPUs into an older chassis, you must verify that your server supports the 480-MHz CPU modules, and that the Sun Enterprise 450 OpenBoot firmware revision is correct.

How to Verify Support for 480-MHz CPU Modules

To verify that your server supports the 480-MHz CPU modules, you can use a UNIX[®] command, or you can find out at the `ok` prompt.

From a Console or from a Command window:

- **Type the following command at the UNIX prompt:**

```
% /usr/sbin/prtconf -pv | grep "501-5673"
```

If the number returned is 501-5673, go to the section “Identifying UltraSPARC II CPU Modules” on page 4 of this guide.

If no number is returned, the system board is not part number 501-5673. You cannot install the new UltraSPARC II 480-MHz CPU module into the current main logic board. Contact your Sun[™] sales representative about ordering a board upgrade. Follow the board and CPU module installation instructions in the *Sun Enterprise 450 Server Board Upgrade Guide*.

If the `ok` prompt is displayed:

1. **Type the following command:**

```
ok cd /
```

2. **Type the following command for the list of data about the system:**

```
ok .prp
```

Examine the output listed for the `model` property. If the system board is not part number 501-5673, or if there is no part number listing, you cannot install the new UltraSPARC II 480-MHz CPU module. Contact your Sun sales representative about ordering a board upgrade. Follow the board and CPU module installation instructions in the *Sun Enterprise 450 Server Board Upgrade Guide*.

If the system board number is 501-5673, go to the next section, “How to Identify the OpenBoot Firmware Image Revision.”

How to Identify the OpenBoot Firmware Image Revision

To verify that your server supports the 480-MHz CPU modules, you can use a UNIX command, or you can find out from the `ok` prompt.

From a UNIX Console or from a Command window:

- **Type the following command at the UNIX prompt:**

```
% /usr/sbin/prtconf -v | grep OBP
```

From the `ok` prompt:

- **Type the following command at the `ok` prompt:**

```
ok .version
```

If the version returned is 3.18 or a higher compatible version, your firmware will support the faster modules. For more information, see the section “How to Verify Support for 480-MHz CPU Modules” on page 2. If the version returned is lower than 3.18, you must flash update the OpenBoot™ firmware.

Log onto the SunSolve Online™ web site at URL <http://sunsolve.Sun.COM> for information about performing a flash update to your system's firmware.

To download a flash update, log into the SunSolve Online web page. Click “Patches.” On the next page click “Find Patch,” search for patch number 106503, and follow the online instructions.

How to Identify System Software Requirements

The Sun Enterprise 450 server requires Solaris 2.5.1 Hardware: 11/97, Solaris 2.6 Hardware: 3/98, Solaris 7, Solaris 8, or a subsequent compatible Solaris release. To verify that the proper version of the operating environment is installed on your Sun Enterprise 450 server, examine the file `/etc/release`. The file should, for example, contain the text “Solaris 2.5.1 Hardware: 11/97” or it should identify a later compatible Solaris release.

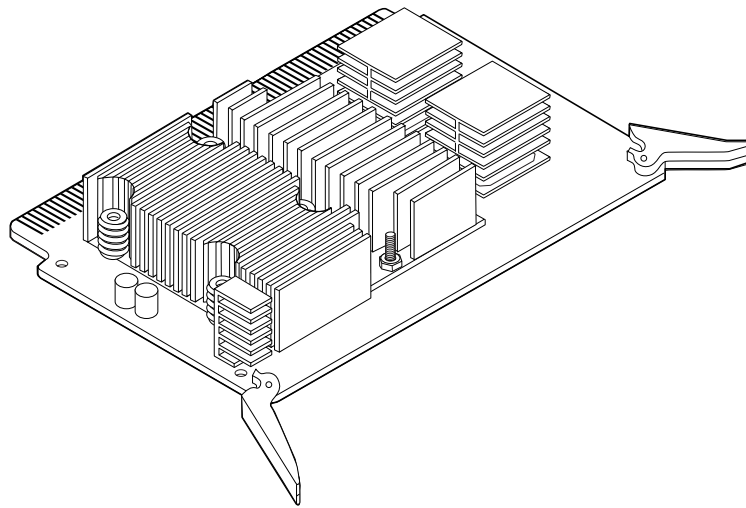
For more information on software compatibility, read the Sun publication, *Installing Solaris Software for Selected Hardware* (806-4005), shipped with the Operating Environment Installation CD.

Any patches required for your Solaris software release can be found at the SunSolve Online web site at the URL:

<http://sunsolve.Sun.COM/>

Identifying UltraSPARC II CPU Modules

The Sun Enterprise 450 server supports up to four 250-MHz, up to four 300-MHz, up to four 400-MHz, or up to four 480-MHz UltraSPARC II CPU modules. The following figure shows the new unshrouded 480-MHz UltraSPARC II CPU module that has 8 Mbytes of integrated cache memory.



Before installing the CPU module, verify that each new module is one of the following UltraSPARC II modules for Sun Enterprise 450 servers. The following table identifies CPU module speeds.

CPU Module Speed (MHz)	Part Number
250-MHz UltraSPARC II	501-4857 or 501-4278
300-MHz UltraSPARC II	501-4849 or 501-4196
400-MHz UltraSPARC II	501-5239 or 501-5446
480-MHz UltraSPARC II	501-5729

Configuring the CPU Modules

Before configuring the CPU module(s), determine if your system will support the power requirements of the new configuration. Review “System Power Requirements Worksheet” on page 5 of this guide, and see the section “How to Determine System Power Requirements” in the *Ultra Enterprise 450 Server Owner’s Guide*.



Caution – All CPU modules installed in a system must operate at identical clock speeds.

Configure the UltraSPARC II CPU modules in your server according to the rules in the section “About CPU Modules” in the *Ultra Enterprise 450 Server Owner’s Guide*.

If your system has two power supplies, and you do not need a redundant power supply, follow the instructions in the next section, “Removing or Installing a CPU Module.”

System Power Requirements Worksheet

The following information is an addition to the section “System Power Requirements Worksheet” in the *Ultra Enterprise 450 Server Owner’s Guide*. Use the following table for your power requirement calculations if you are installing any of the following components:

- 480-MHz CPU module with 8-Mbyte Ecache
- 400-MHz CPU module with 4-Mbyte Ecache
- SunCD™ 32 CD-ROM
- DVD ROM
- 18-Gbyte hard disk drive
- 36-Gbyte hard disk drive
- DDS4 tape drive

Line No.	Option	Qty	+3.3 VDC Amps	Total Amps @ 3.3 V	+5 VDC Amps	Total Amps @ 5 V	+12 VDC Amps	Total Amps @ 12 V
CPU Options								
	480-MHz CPU with 8-MB Ecache and DC-to-DC converter		7.5		6.7			
	400-MHz CPU with 4-MB Ecache and DC-to-DC converter		5.0		5.6			
Internal Storage Device Options								
	SunCD 32 CD-ROM				0.55		0.61	
	DVD ROM				0.42		0.51	
	18-GB hard disk drive				0.8		0.5	
	36-GB hard disk drive				0.8		0.5	
	DDS4 tape drive				0.9		0.5	

Setting the Main Logic Board Jumpers

The following information supersedes the information presented in the section "About the Clock Mode Select Jumper" in the *Ultra Enterprise 450 Server Owner's Guide*. Contrary to the table in the section, the new Sun Enterprise 450 server main logic board (501-5673) uses the clock mode select jumpers J2701 and J2702.

Set the clock mode jumper shunts at addresses J2701 and J2702 to correspond to the speed of your UltraSPARC II CPU module. Verify that the jumper setting is correct before starting the system.

Clock Speed	J2701	J2702
250-MHz	1 + 2	2 + 3
300-MHz	1 + 2	2 + 3
400-MHz	2 + 3	2 + 3
480-MHz	2 + 3	1 + 2

Removing or Installing a CPU Module

Before removing or installing CPU modules, read the section “About CPU Modules” in the *Ultra Enterprise 450 Server Owner’s Guide*.



Caution – Before you install any CPU module, read the section “Setting the Main Logic Board Jumpers” on page 6 in this guide, and verify that the jumper setting is correct for the speed of the CPU module(s) you are installing. Serious system damage can result if the main logic board clock mode jumpers are set incorrectly.

If you need to know your system’s power consumption, read the section “System Power Requirements Worksheet” on page 5 in this guide, and then consult the section “How to Determine System Power Requirements” in the *Ultra Enterprise 450 Server Owner’s Guide*.

The 480-MHz CPU modules require an air guide for proper cooling. This air guide is installed on the 501-5673 main logic board. You must remove the air guide to access the CPU modules, and replace the air guide before restarting the system. For instructions on removing and replacing the air guide, see “Removing and Replacing the CPU Air Guide” on page 8.

To remove or install CPU modules into the Sun Enterprise 450 server, follow the instructions in the sections “How to Remove a CPU Module” and “How to Install a CPU Module” in the *Ultra Enterprise 450 Server Owner’s Guide*.

Before you install the fourth CPU module into the top CPU slot (CPU-A1), remove the blank baffle, if installed, from the connector (J0101). Grasp the blank baffle by the front handle and pull it out from the CPU slot.

Removing and Replacing the CPU Air Guide

An air guide is installed on all 501-5673 main logic boards. The following sections describe how to remove and replace the CPU air guide.



Caution – The air guide is essential for proper system cooling. Do not start up the system without the air guide installed.

How to Remove the CPU Air Guide

You must remove the air guide before removing or installing CPU modules.



Caution – This procedure must be performed by a qualified service-trained maintenance provider. Persons who remove any of the outer panels to access this equipment must observe all safety precautions and comply with skill-level requirements, certification, and all applicable local and national laws.

Before You Begin

Complete these tasks, as described in the *Ultra Enterprise 450 Server Owner's Guide*:

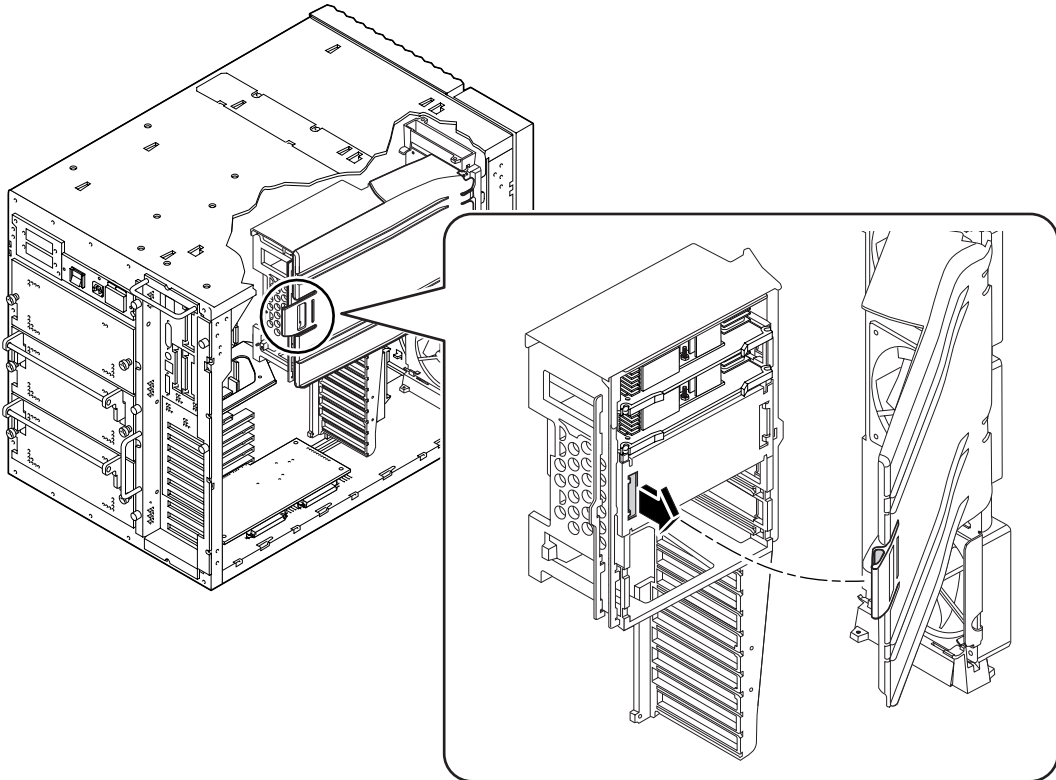
- “How to Power Down the System”
- “How to Remove the Left Side Panel”
- “How to Avoid Electrostatic Discharge”

What to Do

To remove the CPU air guide, do the following:

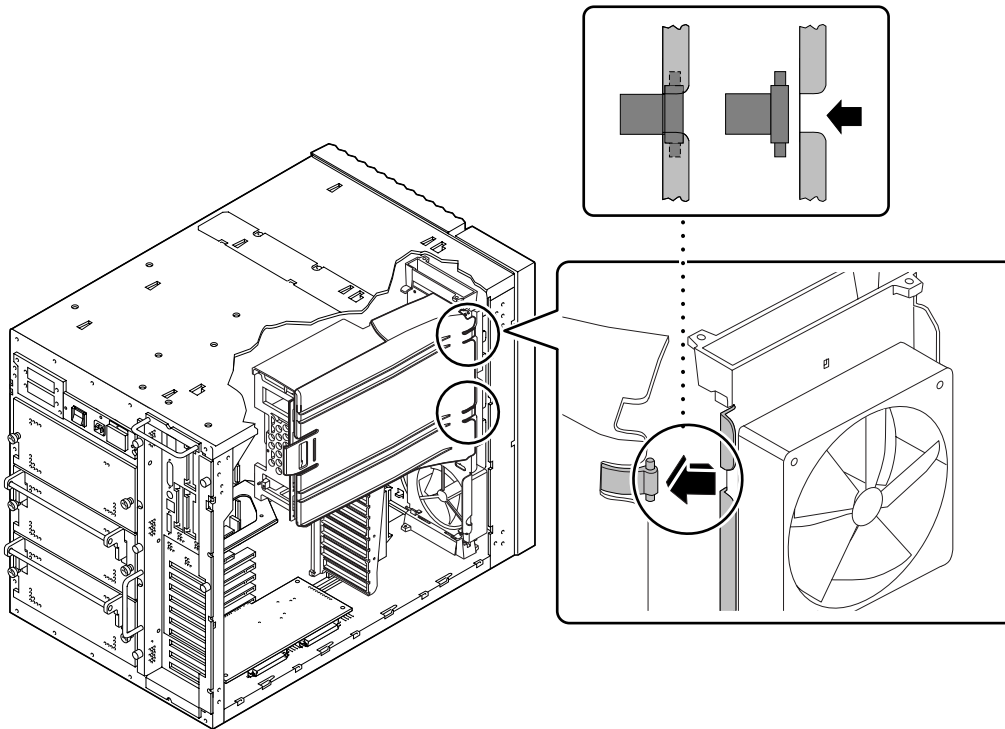
- 1. Carefully pull the left side latch toward you and swing the air guide out.**

The air guide latch should release from its catch on the main logic board Y-bracket.



2. Unhook the air guide tabs from the CPU fan tray assembly.

Slide the air guide toward the front of the chassis to release it from the CPU fan tray assembly.



What Next

See the *Ultra Enterprise 450 Server Owner's Guide* for instructions on removing or installing CPU modules.

To replace the CPU air guide, complete the following task:

- “How to Replace the CPU Air Guide” on page 10

How to Replace the CPU Air Guide



Caution – The air guide is essential for proper system cooling. Do not run the system without the air guide installed.



Caution – This procedure must be performed by a qualified service-trained maintenance provider. Persons who remove any of the outer panels to access this equipment must observe all safety precautions and comply with skill-level requirements, certification, and all applicable local and national laws.

Before You Begin

Complete these tasks, as described in the *Ultra Enterprise 450 Server Owner's Guide*:

- “How to Power Down the System”
- “How to Remove the Left Side Panel”
- “How to Avoid Electrostatic Discharge”

In addition, complete the following task:

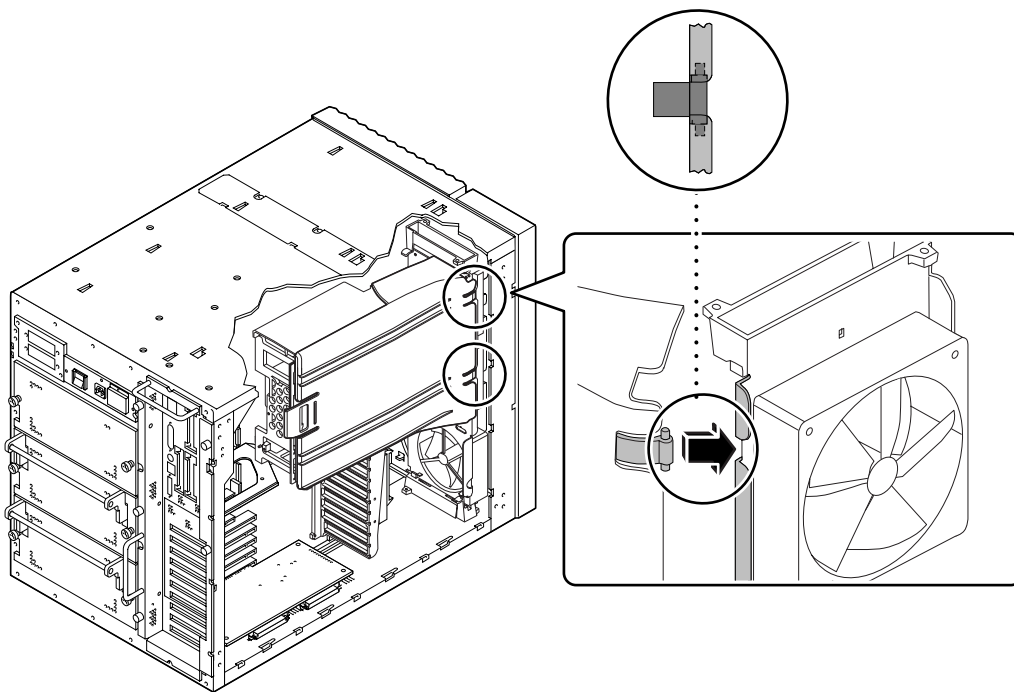
- “How to Remove the CPU Air Guide” on page 8 of this document

What to Do

To replace the CPU air guide, do the following:

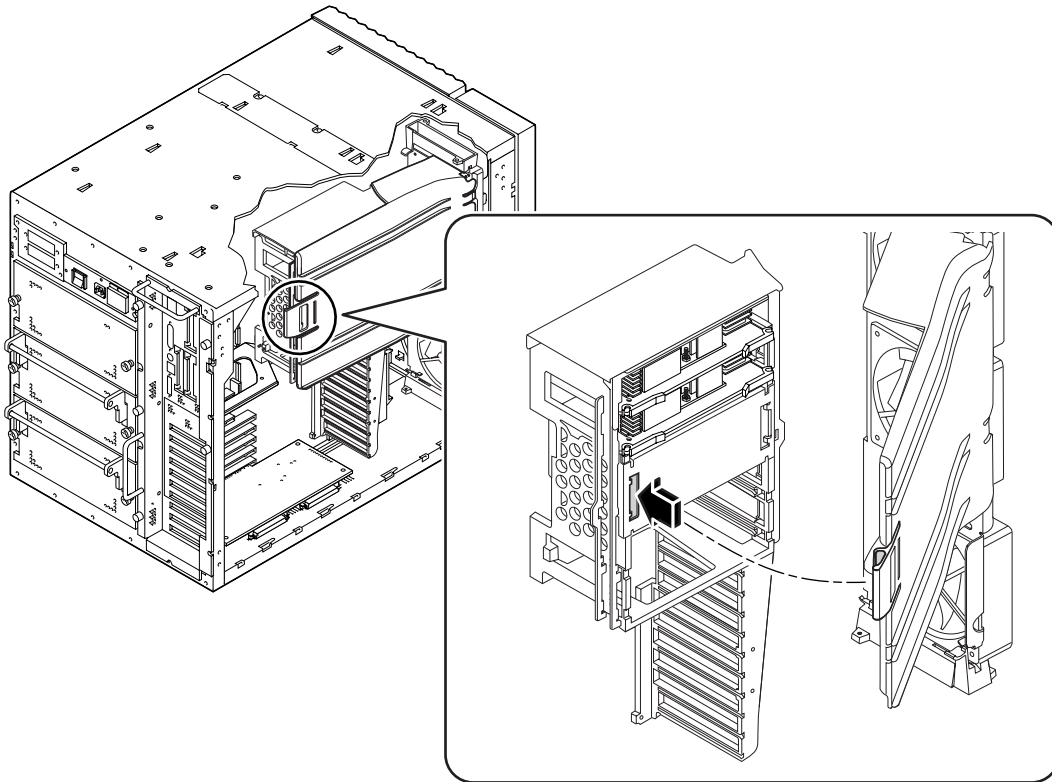
1. Hook the air guide tabs under the slots in the CPU fan tray assembly.

The air guide must be held at an angle to provide enough clearance to hook the tabs under the slots in the CPU fan tray assembly.



2. Slide the air guide toward the rear of the chassis to secure the air guide tabs to the CPU fan tray assembly.

3. Swivel the air guide against the Y-bracket on the main logic board and snap the latch closed.



What Next

See the *Ultra Enterprise 450 Server Owner's Guide* for instructions on reassembling and restarting the system.

Guide du module processeur à 480 MHz pour le serveur Sun Enterprise 450

Utilisé avec le *Guide du propriétaire Ultra Enterprise 450 Server*, ce guide vous permettra de configurer et d'installer un nouveau module processeur UltraSPARC™ II 480 MHz. Les informations qu'il contient complètent celles du *Guide du propriétaire Ultra Enterprise 450 Server*, qui vous a été remis avec votre serveur Sun Enterprise™ 450.

Ce guide examine les points suivants :

- “Vérification des prises en charge matérielles, progicielles et logicielles” à la page 1 ;
- “Identification des modules processeur UltraSPARC II” à la page 4 ;
- “Configuration des modules processeur” à la page 5 ;
- “Réglage des cavaliers de la carte logique principale” à la page 6 ;
- “Retrait ou installation d'un module processeur” à la page 7 ;
- “Retrait et remise en place du conduit d'aération du processeur” à la page 8.

Vérification des prises en charge matérielles, progicielles et logicielles

Lors de l'installation d'un module processeur UltraSPARC II 480 MHz sur un serveur, utilisez ce guide en plus du *Guide du propriétaire Ultra Enterprise 450 Server* à titre d'information.

Si votre système est déjà équipé d'un ou plusieurs modules 480 MHz et que vous en ajoutez d'autres, reportez-vous à la section intitulée “Retrait ou installation d'un module processeur” à la page 7.

Si vous venez d'acheter une mise à jour pour remplacer votre ou vos modules processeur UltraSPARC II 250, 300 ou 400 MHz par un ou des modules processeur UltraSPARC II 480 MHz, vous devez vérifier si la carte logique principale de votre serveur prend en charge ces modules plus rapides et si la version appropriée du progiciel Sun Enterprise 450 OpenBoot™ est installée.

Si vous mettez à jour la vitesse du module processeur et si vous installez les processeurs sur un ancien châssis, vous devez vous assurer que votre serveur prend en charge les modules processeur à 480 MHz et que la version de révision du logiciel Sun Enterprise 450 OpenBoot est correcte.

Comment vérifier la prise en charge des modules processeur à 480 MHz

Pour vérifier si votre serveur prend en charge les modules processeur à 480 MHz, vous pouvez utiliser une commande UNIX[®] ou partir de l'invite `ok`.

Sur une console ou dans une fenêtre Command :

- Tapez la commande suivante à l'invite UNIX :

```
% /usr/sbin/prtconf -pv | grep "501-5673"
```

Si le numéro qui s'affiche est 501-5673, reportez-vous à la section intitulée "Identification de la version de révision du logiciel OpenBoot" à la page 3 de ce guide.

Si aucun numéro ne s'affiche, cela indique que votre carte système ne porte pas la référence 501-5673, cas dans lequel vous ne pouvez pas installer le nouveau module processeur UltraSPARC II 480 MHz dessus. Veuillez contacter votre représentant Sun[™] afin de commander une mise à jour pour votre carte. Suivez ensuite les instructions d'installation de *Sun Enterprise 450 Server Board Upgrade Guide*.

Si l'invite `ok` est affichée à l'écran :

1. Tapez la commande suivante :

```
ok cd /
```

2. Tapez la commande suivante pour obtenir une liste de données relatives au système :

```
ok .prp
```

Recherchez la propriété `model` dans la liste obtenue. Si la carte système ne porte pas le numéro de référence 501-5673 (ou si aucun numéro de référence n'apparaît), vous ne pouvez pas installer le nouveau module processeur UltraSPARC II 480 MHz sur cette carte. Veuillez contacter votre représentant Sun afin de commander une mise à jour pour votre carte. Suivez ensuite les instructions d'installation de module carte et processeur données dans le *Sun Enterprise 450 Server Board Upgrade Guide*.

Si le numéro de référence de la carte système est 501-5673, reportez-vous à la section suivante intitulée "Identification de la version de révision du logiciel OpenBoot" à la page 3 de ce guide.

Identification de la version de révision du progiciel OpenBoot

Pour vérifier si votre serveur prend en charge les modules processeur à 480 MHz, vous pouvez utiliser une commande UNIX ou partir de l'invite `ok`.

Sur une console UNIX ou dans une fenêtre Command :

- Tapez la commande suivante à l'invite UNIX :

```
% /usr/sbin/prtconf -v | grep OBP
```

A partir de l'invite `ok` :

- Tapez la commande suivante à l'invite `ok` :

```
ok .version
```

Si le numéro de version affiché est 3.18 ou une version compatible ultérieure, votre progiciel prend en charge les modules plus rapides. Pour en savoir plus, reportez-vous à la section intitulée "Comment vérifier la prise en charge des modules processeur à 480 MHz" à la page 2. Si le numéro de version affiché est inférieur à 3.18, vous devez mettre à jour le progiciel OpenBoot™ via la mémoire flash.

Connectez-vous au site Web SunSolve Online™ à l'adresse <http://sunsolve.Sun.COM> pour obtenir des informations relatives à la mise à jour de votre progiciel via la mémoire flash.

Pour télécharger une mise à jour flash, connectez-vous au site Web de SunSolve Online. Cliquez sur "Patches". Sur la page suivante qui s'affiche, cliquez sur "Find Patch", spécifiez le numéro de patch 106503 et suivez les instructions fournies à l'écran.

Identification des besoins logiciels du système

Le serveur Sun Enterprise 450 nécessite l'environnement d'exploitation Solaris 2.5.1 Hardware: 11/97, l'environnement d'exploitation Solaris 2.6 Hardware: 3/98, l'environnement d'exploitation Solaris 7 ou 8 ou encore une version ultérieure compatible. Pour vous assurer que la version appropriée de l'environnement d'exploitation est installée sur votre serveur Sun Enterprise 450, consultez le fichier `/etc/release`. Ce fichier doit contenir, par exemple, la mention "Solaris 2.5.1 Hardware: 11/97" ou une version ultérieure de l'environnement Solaris.

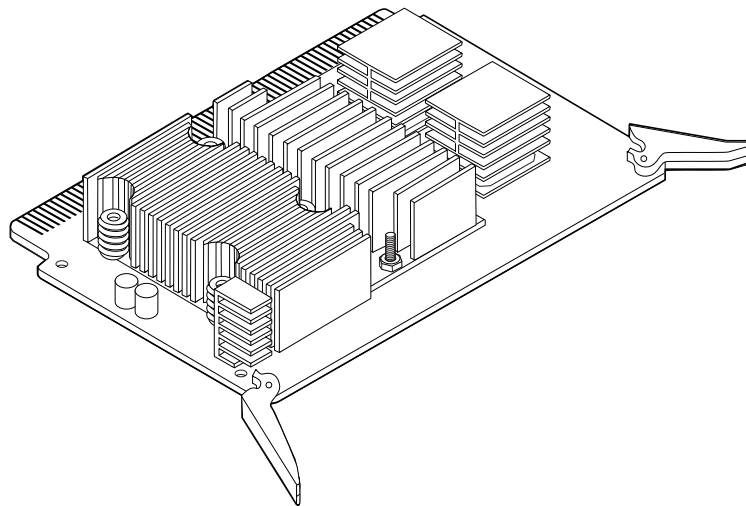
Pour de plus amples informations concernant la compatibilité des programmes, lisez la Publication Sun, *Installation du logiciel Solaris sur des matériels sélectionnés* (806-4005), fournie avec le CD-ROM d'installation de l'environnement d'exploitation.

Tout patch requis pour votre version logicielle de Solaris est disponible sur le site de Web SunSolve Online, à l'adresse :

<http://sunsolve.Sun.COM/>

Identification des modules processeur UltraSPARC II

Le serveur Sun Enterprise 450 prend en charge jusqu'à quatre modules processeur UltraSPARC™ II à 250 MHz, 300 MHz, 400 MHz ou 480 MHz. La figure suivante représente le nouveau module processeur UltraSPARC II à 480 MHz non blindé qui possède 8 Mo de mémoire cache intégrée.



Avant d'installer un module processeur, vérifiez qu'il figure bien parmi les modules UltraSPARC II suivants (pour les serveurs Sun Enterprise 450). Le tableau suivant indique les vitesses des modules processeur.

Vitesse du module processeur (MHz)	Numéro de référence
UltraSPARC II 250 MHz	501-4857 ou 501-4278
UltraSPARC II 300 MHz	501-4849 ou 501-4196
UltraSPARC II 400 MHz	501-5239 ou 501-5446
UltraSPARC II 480 MHz	501-5729

Configuration des modules processeur

Avant de vous lancer dans la configuration d'un ou plusieurs modules processeur, vous devez vous assurer que le système puisse supporter les besoins en électricité de la nouvelle configuration. Consultez "Tableau des besoins électriques du système" à la page 5 de ce guide et la section "Calcul des besoins électriques de votre système" du *Guide du propriétaire Ultra Enterprise 450 Server*.



Attention – Tous les modules processeur installés dans un même système doivent fonctionner à des vitesses d'horloge identiques.

Configurez les modules processeur UltraSPARC II de votre serveur en suivant les règles de la section "A propos des modules processeur" du *Guide du propriétaire Ultra Enterprise 450 Server*.

Si votre système dispose de deux blocs d'alimentation et que vous n'avez pas besoin d'une alimentation redondante, suivez les instructions de la section suivante "Retrait ou installation d'un module processeur".

Tableau des besoins électriques du système

Les informations qui suivent complètent celles de la section "Calcul des besoins électriques de votre système" du *Guide du propriétaire Ultra Enterprise 450 Server*. Reportez-vous au tableau suivant pour effectuer les calculs des besoins en électricité, si vous installez l'un des composants suivants:

- Module processeur à 480 MHz avec 8 Mo de mémoire cache E
- Module processeur à 400 MHz avec 4 Mo de mémoire cache E
- Lecteur de disque SunCD™ 32
- Disque numérique (DVD ROM)
- Lecteur de disque dur 18 Go
- Lecteur de disque dur 36 Go
- Lecteur de bande DDS4

N° ligne	Option	Qté	+3.3 (en CC) Ampé- rage	Ampé- rage total à 3,3 V	+5 (en CC) Ampé- rage	Ampé- rage totale	+12 (en CC) Ampé- rage	Ampé- rage total à 12 V
Options de processeur								
	Processeur à 480 MHz avec 8 Mo de mémoire cache E et un convertisseur continu/continu		7,5		6,7			
	Processeur à 400 MHz avec 4 Mo de mémoire cache E et un convertisseur continu/continu		5,0		5,6			
Options de périphérique de stockage externe								
	Lecteur de disque SunCD 32				0,55		0,61	
	Disque numérique (DVD ROM)				0,42		0,51	
	Lecteur de disque dur 18 Go				0,8		0,5	
	Lecteur de disque dur 36 Go				0,8		0,5	
	Lecteur de bande DDS4				0,9		0,5	

Réglage des cavaliers de la carte logique principale

Ces informations remplacent celles de la section “A propos du cavalier de sélection du mode d’horloge” du *Guide du propriétaire Ultra Enterprise 450 Server*. Contrairement au tableau de cette section, les cavaliers de sélection du mode d’horloge (J2701 et J2702) sont utilisés sur la carte logique principale (501-5673) du nouveau serveur Sun Enterprise 450.

Paramétrez les cavaliers du mode d’horloge aux adresses J2701 et J2702 de façon à correspondre à la vitesse de votre module processeur UltraSPARC II. Vérifiez que les cavaliers sont bien paramétrés avant de démarrer le système.

Vitesse d’horloge	J2701	J2702
250-MHz	1 + 2	2 + 3
300-MHz	1 + 2	2 + 3
400-MHz	2 + 3	2 + 3
480-MHz	2 + 3	1 + 2

Retrait ou installation d'un module processeur

Avant de retirer ou d'installer des modules processeur, lisez la section "A propos des modules processeur" du *Guide du propriétaire Ultra Enterprise 450 Server*.



Attention – Avant d'installer un module processeur, lisez la section "Réglage des cavaliers de la carte logique principale" à la page 6 de ce guide et vérifiez que le paramétrage des cavaliers soit adapté à la vitesse du ou des modules processeur que vous installez. Un mauvais paramétrage des cavaliers de sélection du mode d'horloge de la carte logique principale peut gravement endommager votre système.

Si vous avez besoin de connaître la consommation électrique du système, lisez la section "Tableau des besoins électriques du système" à la page 5 de ce guide puis consultez la section "Calcul des besoins électriques de votre système" dans le *Guide du propriétaire Ultra Enterprise 450 Server*.

Les modules processeur à 480 MHz CPU requièrent l'utilisation d'un conduit d'aération garantissant un refroidissement approprié. Ce conduit d'aération est installé sur la carte logique principale 501-5673. Vous devez retirer le conduit d'aération pour accéder aux modules processeur, puis le remettre en place avant de redémarrer le système. Pour connaître les instructions de retrait et remise en place du conduit d'aération, reportez-vous à la section "Retrait et remise en place du conduit d'aération du processeur" à la page 8 de ce guide.

Pour retirer ou installer des modules processeur dans un serveur Sun Enterprise 450, suivez les instructions des sections "Comment retirer un module processeur" et "Comment installer un module processeur" du *Guide du propriétaire Ultra Enterprise 450 Server*.

Avant d'installer le quatrième module processeur dans l'emplacement processeur supérieur (CPU-A1), retirez la plaque de protection, s'il y en a une, du connecteur (J0101). Prenez cette plaque par sa poignée avant et faites-la sortir de l'emplacement processeur.

Retrait et remise en place du conduit d'aération du processeur

Un conduit d'aération est installé sur toutes les cartes logiques principales 501-5673. Les sections suivantes décrivent le retrait et la remise en place de ce conduit.



Attention – Le conduit d'aération est essentiel au refroidissement approprié du système. Ne relancez jamais le système si ce conduit n'est pas remis en place.

Comment retirer le conduit d'aération

Vous devez retirer le conduit d'aération avant de procéder au retrait ou à l'installation des modules processeur.



Attention – Cette manipulation doit être effectuée par un technicien qualifié du service de maintenance. Toute personne procédant au retrait des panneaux externes afin d'accéder à ce composant, doit observer les précautions de sécurité et répondre aux exigences de compétences, de certification et de tout autre règlement local ou national applicable.

Avant de commencer

Effectuez les tâches suivantes, telles qu'elles sont décrites dans le *Guide du propriétaire Ultra Enterprise 450 Server* :

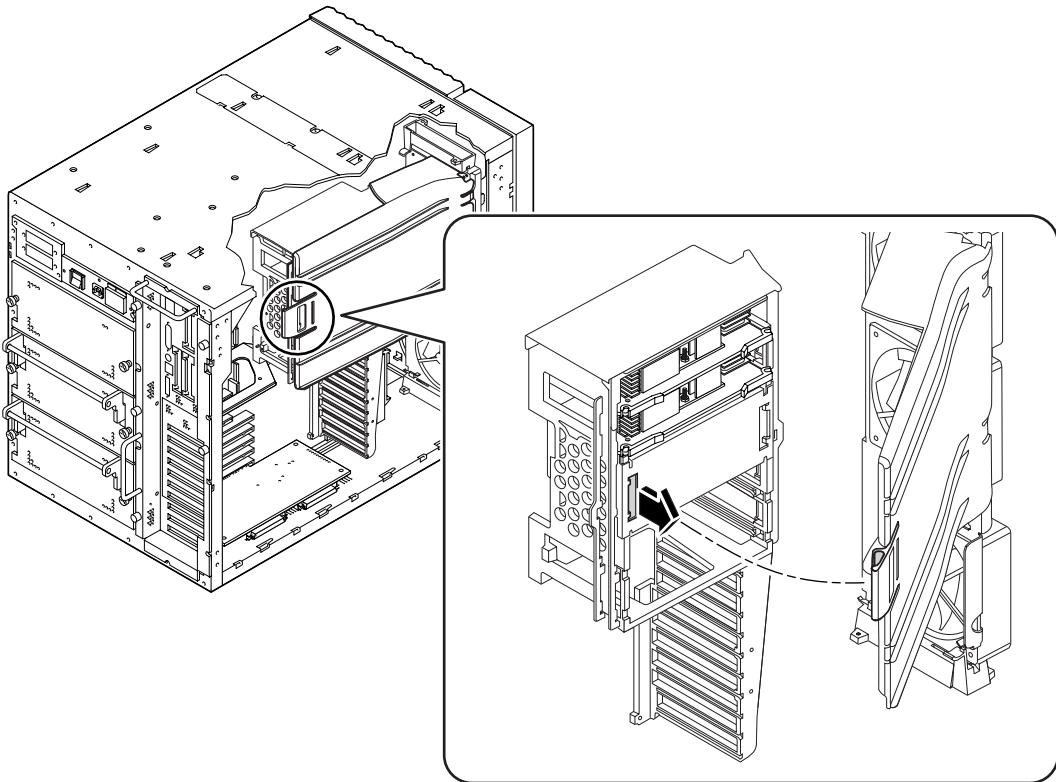
- “Comment mettre le système hors tension”
- “Comment retirer le panneau latéral gauche”
- “Comment éviter les décharges électrostatiques”

Comment procéder

Pour retirer le conduit d'aération du processeur, procédez de la façon suivante :

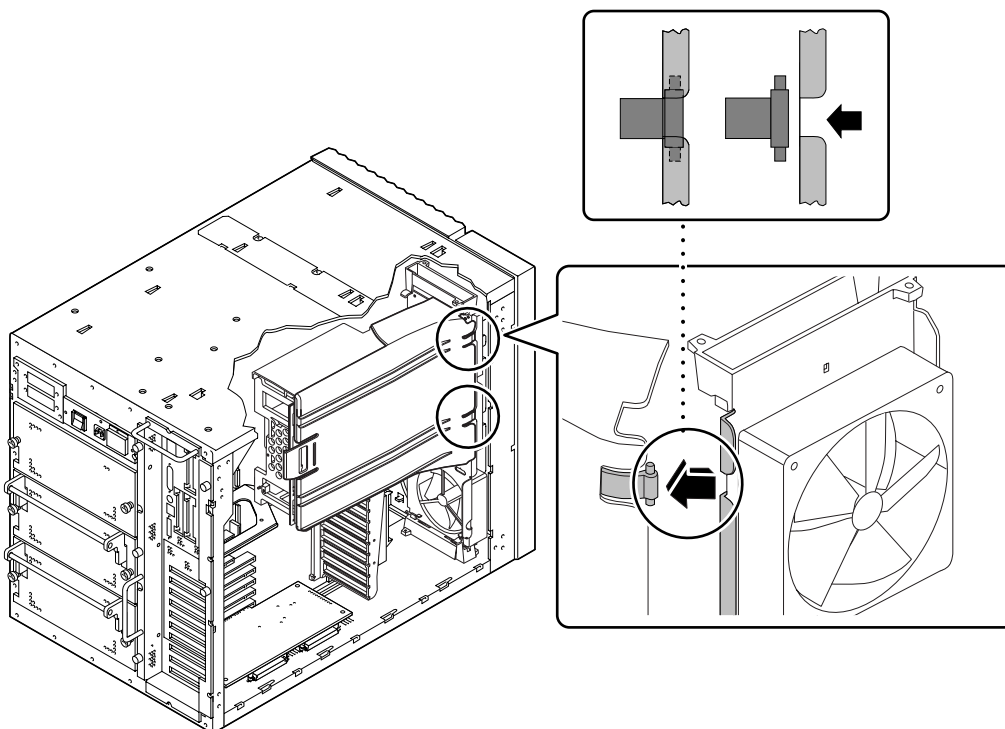
- 1. Soulevez délicatement la bascule latérale gauche et faites pivoter le conduit d'aération.**

La bascule du conduit d'aération se libère alors de son sautoir installé sur le crochet en Y de la carte logique principale.



2. Retirez les fiches maintenant le conduit sur le dispositif d'aération du processeur.

Faites glisser le conduit d'aération vers l'avant du châssis de façon à le désolidariser du dispositif d'aération du processeur.



Etape suivante

Reportez-vous au *Guide du propriétaire Ultra Enterprise 450* pour connaître les instructions de retrait ou d'installation des modules processeur.

Pour remettre le conduit d'aération du processeur en place, examinez le point suivant :

- “Comment remplacer le conduit d'aération du processeur” à la page 11

Comment remplacer le conduit d'aération du processeur



Attention – Le conduit d'aération est essentiel au refroidissement approprié du système. Ne relancez jamais le système si ce conduit n'est pas remis en place.



Attention – Cette manipulation doit être effectuée par un technicien qualifié du service de maintenance. Toute personne procédant au retrait des panneaux externes afin d'accéder à ce composant, doit observer les précautions de sécurité et répondre aux exigences de compétences, de certification et de tout autre règlement local ou national applicable.

Avant de commencer

Effectuez les tâches suivantes, telles qu'elles sont décrites dans le *Guide du propriétaire Ultra Enterprise 450 Server* :

- “Comment mettre le système hors tension”
- “Comment retirer le panneau latéral gauche”
- “Comment éviter les décharges électrostatiques”

Vous devez en outre effectuer la tâche suivante :

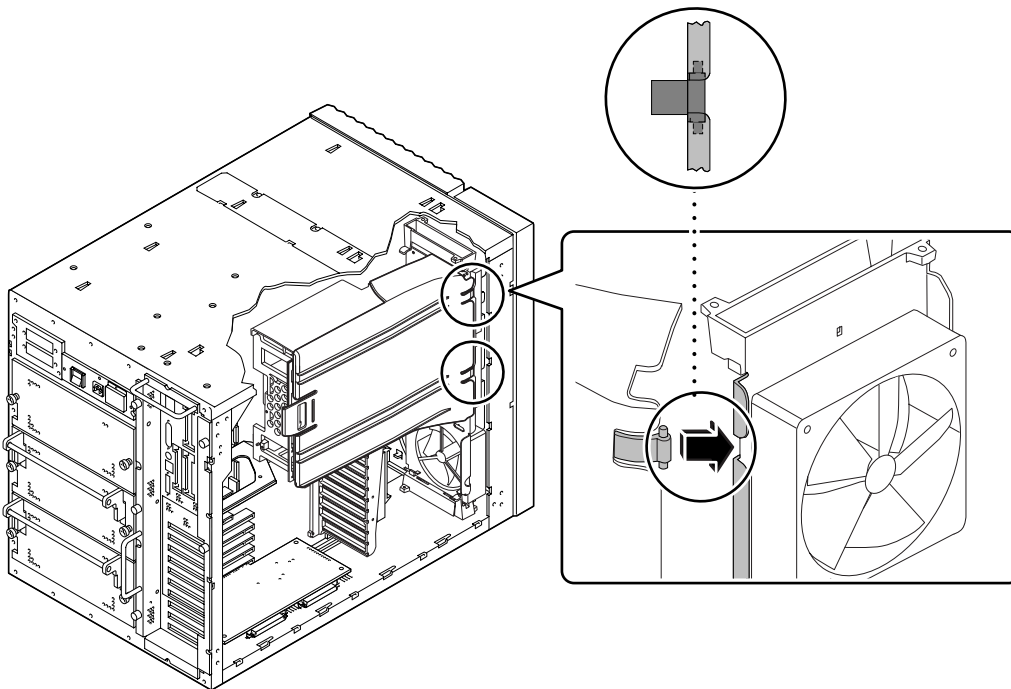
- “Comment retirer le conduit d'aération” à la page 8 de ce guide

Comment procéder

Pour remettre en place le conduit d'aération du processeur, procédez de la façon suivante :

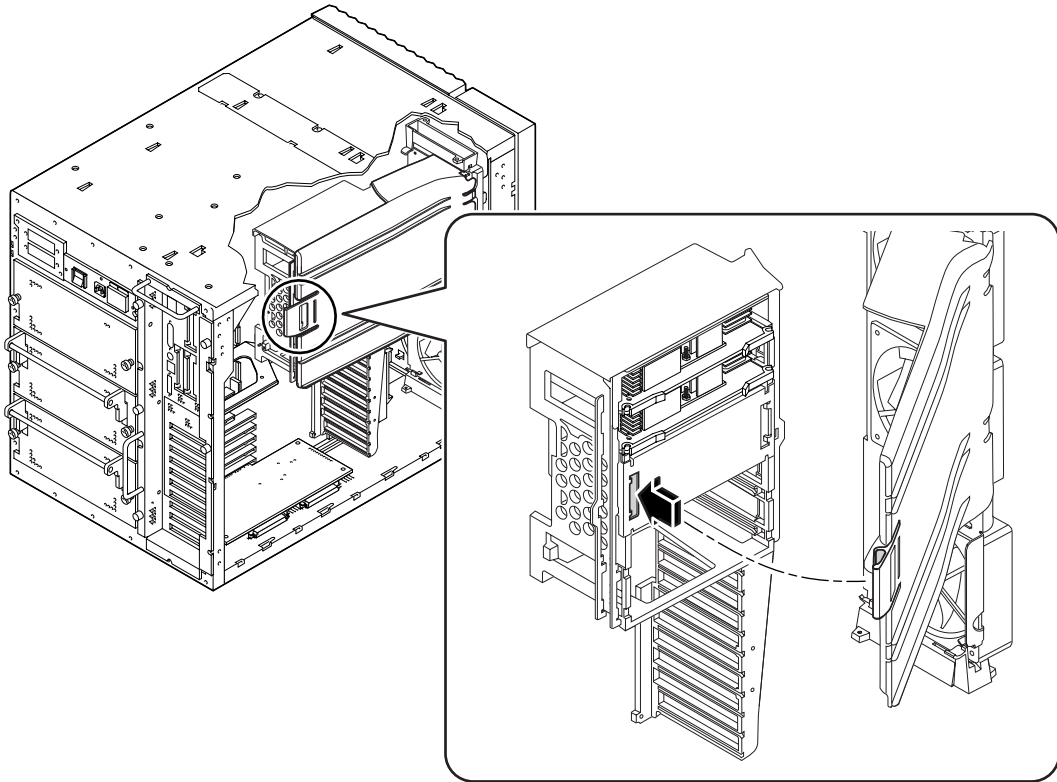
- 1. Enclenchez les fiches du conduit d'aération sous les connecteurs du dispositif d'aération du processeur.**

Manipulez le conduit d'aération guide en le tenant d'un seul côté afin de pouvoir enclencher les fiches sous les connecteurs du dispositif d'aération du processeur.



- 2. Faites glisser le conduit vers l'arrière du châssis afin d'enclencher correctement les fiches du conduit d'aération sur le dispositif d'aération du processeur.**

3. Faites pivoter le conduit d'aération sur le crochet en Y situé sur la carte logique principale et enclenchez la bascule à sa place.



Etape suivante

Reportez-vous au *Guide du propriétaire Ultra Enterprise 450 Server* pour connaître les instructions de réassemblage et de redémarrage du système.

Sun Enterprise 450 Server Handbuch zu CPU-Modulen mit 480 MHz

Verwenden Sie beim Konfigurieren und Einbauen des neuen UltraSPARC™ IICPU-Moduls mit 480 MHz dieses Handbuch zusammen mit dem *Ultra Enterprise 450 Server Benutzerhandbuch*. Die Information in diesem Handbuch *ergänzen* das *Ultra Enterprise 450-Server Benutzerhandbuch*, das mit dem Sun Enterprise™ 450-Server geliefert wurde.

Die folgenden Themen werden im vorliegenden Handbuch erläutert:

- “Verifizieren des Supports von Hardware, Firmware und Software” auf Seite 1
- “Identifizieren von UltraSPARC II CPU-Modulen” auf Seite 4
- “Konfigurieren der CPU-Module” auf Seite 5
- “Einstellen der Logik-Jumper auf der Hauptplatine” auf Seite 6
- “Aus- oder Einbau eines CPU-Moduls” auf Seite 7
- “Ausbauen und Austauschen des CPU-Lüftungsgitters” auf Seite 8

Verifizieren des Supports von Hardware, Firmware und Software

Wenn Sie ein UltraSPARC II-CPU-Modul mit 480 MHz in einem Server installieren, verwenden Sie dieses Handbuch als zusätzliche Informationsquelle zum *Ultra Enterprise 450-Server Benutzerhandbuch*.

Wenn in dem System bereits 480-MHz-Module installiert sind und Sie weitere Module einbauen wollen, lesen Sie den Abschnitt “Aus- oder Einbau eines CPU-Moduls” auf Seite 7.

Wenn Sie UltraSPARC II-CPU-Module mit 250, 300 oder 400 MHz durch ein Update mit UltraSPARC II-CPU-Modulen 480 MHz ersetzen wollen, überprüfen Sie zunächst, ob die Hauptplatine des Servers die schnelleren Module unterstützt und das aktuelle Image der Firmware von Sun Enterprise 450 OpenBoot™ installiert ist.

Falls Sie ein Upgrade auf CPU-Module mit höherer der Taktfrequenz durchführen und die CPUs in einem älteren Chassis einbauen möchten, müssen Sie vorher prüfen, ob Ihr Server CPU-Module mit 480 MHz unterstützt und ob das Image der Firmware von Sun Enterprise 450 OpenBoot aktuell ist.

Überprüfen des Supports für CPU-Module mit 480 MHz

Ob der Server die 480-MHz-CPU-Module unterstützt, kontrollieren Sie mit einem UNIX[®]-Kommando oder nach der Eingabeaufforderung `ok`.

Von einer Konsole oder in einer Kommandozeile:

- **Geben Sie nach der UNIX-Eingabeaufforderung folgendes Kommando ein:**

```
% /usr/sbin/prtconf -pv | grep "501-5673"
```

Wenn die Nummer 501-5673 zurückgegeben wird, fahren Sie mit Abschnitt "Identifizieren von UltraSPARC II CPU-Modulen" auf Seite 4 in diesem Handbuch fort.

Wird keine Nummer zurückgegeben, weist die Hauptplatine nicht die Teilenummer 501-5673 auf, und Sie können das neue UltraSPARC II CPU-Modul mit 480-MHz nicht in die zur Zeit installierte Hauptplatine einbauen. Bestellen Sie bei Ihrem Sun[™]-Vertriebsbeauftragten ein Upgrade für die Hauptplatine. Installationsanweisungen für Hauptplatine und CPU-Module finden Sie im *Sun Enterprise 450 Server Board Upgrade Guide*.

Wenn die Eingabeaufforderung `ok` angezeigt wird:

1. **Geben Sie folgendes Kommando ein:**

```
ok cd /
```

2. **Geben Sie folgendes Kommando ein, um eine Liste mit Systemdaten aufzurufen:**

```
ok .prp
```

Überprüfen Sie in der ausgegebenen Liste die Eigenschaft `model`. Wenn die Hauptplatine nicht die Teilenummer 501-5673 aufweist oder keine Teilenummern aufgelistet sind, können Sie das neue UltraSPARC II 480-MHz CPU-Modul nicht installieren. Bestellen Sie bei Ihrem Sun[™]-Vertriebsbeauftragten gegebenenfalls ein Upgrade für die Hauptplatine. Anweisungen zur Installation der Platine und der CPU-Module finden Sie im *Sun Enterprise 450 Server Board Upgrade Guide*.

Wenn die Nummer 501-5673 lautet, fahren Sie mit dem Abschnitt "Identifizieren der Image-Version der OpenBoot Firmware" in diesem Handbuch fort.

Identifizieren der Image-Version der OpenBoot Firmware

Um zu überprüfen, ob der Server die 480-MHz-CPU-Module unterstützt, verwenden Sie einen UNIX[®]-Kommando oder geben nach der Eingabeaufforderung `ok` ein Kommando ein.

An einer Konsole oder in einem Kommandofenster:

- Geben Sie nach der UNIX-Eingabeaufforderung folgendes Kommando ein:

```
% /usr/sbin/prtconf -v | grep OBP
```

Bei der Eingabeaufforderung `ok`:

- Geben Sie nach der Eingabeaufforderung `ok` folgendes Kommando ein:

```
ok .version
```

Wird als Version die Version 3.18 oder höher zurückgegeben, unterstützt Ihre Firmware die schnelleren Module. Weitere Informationen dazu finden Sie im Abschnitt “Überprüfen des Supports für CPU-Module mit 480 MHz” auf Seite 2. Ist die zurückgegebene Version niedriger als 3.18, müssen Sie einen Flash-Update der OpenBoot[™]-Firmware durchführen.

Informationen zu einem Flash-Update Ihrer Firmware finden Sie auf der Website von SunSolve Online[™] unter URL <http://sunsolve.Sun.COM>.

Melden Sie sich zur Durchführung eines Flash-Updates auf der Webseite von SunSolve Online[™] an. Klicken Sie auf der nächsten Seite auf “Patch suchen” und suchen Sie nach Patchnummer 106503. Richten Sie sich dann nach den Anweisungen auf dem Bildschirm.

Anforderungen an die System-Software

Der Sun Enterprise 450-Server benötigt: Solaris 2.5.1 Hardware: 11/97, Solaris 2.6 Hardware: 3/98, Solaris 7, Solaris 8 oder eine höhere, kompatible Solaris-Version. Um zu kontrollieren, dass die richtige Version der Betriebsumgebung auf Ihrem Sun Enterprise 450-Server installiert ist, öffnen Sie die Datei `/etc/release`. Die Datei muss beispielsweise den Text “Solaris 2.5.1 Hardware: 11/97” oder eine höhere, kompatible Solaris-Version enthalten.

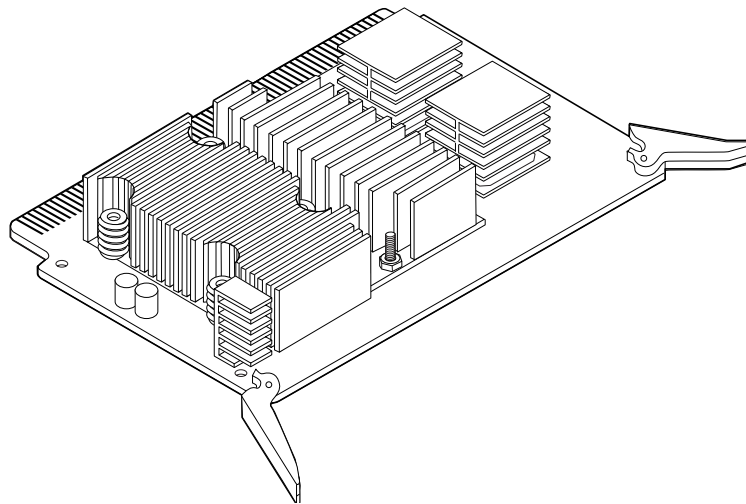
Weitere Informationen zur Kompatibilität von Software finden Sie in der von Sun veröffentlichten Ausgabe *Installation der Solaris Software auf unterschiedlichen Hardware-Plattformen* (806-4005), die zusammen mit der CD-ROM zur Installation der Betriebsumgebung geliefert wird.

Sämtliche Patches, die Ihre Solaris-Software-Version benötigt, finden Sie auf der SunSolve Online-Website unter der URL:

<http://sunsolve.Sun.com/>

Identifizieren von UltraSPARC II CPU-Modulen

Der Sun Enterprise 450-Server unterstützt bis zu je vier 250 MHz-, 300 MHz-, 400 MHz- oder 480 MHz-CPU-Module für UltraSPARC II. Die folgende Abbildung zeigt das neue UltraSPARC II-CPU-Modul mit 480 MHz und 8 MB integriertem Cache (ohne Abdeckung).



Bevor Sie ein CPU-Modul einbauen, überprüfen Sie, ob es sich bei dem Modul um eines der folgenden UltraSPARC II-Module für Sun Enterprise 450-Server handelt. In der folgenden Tabelle sind die Taktfrequenzen der verschiedenen CPU-Module aufgeführt.

Taktfrequenz des CPU-Moduls (MHz)	Teilenummer
250 MHz UltraSPARC II	501-4857 oder 501-4278
300 MHz UltraSPARC II	501-4849 oder 501-4196
400 MHz UltraSPARC II	501-5239 oder 501-5446
480 MHz UltraSPARC II	501-5729

Konfigurieren der CPU-Module

Bevor Sie neue CPU-Module einbauen, müssen Sie ermitteln, ob das System den Leistungsbedarf der neuen Konfiguration abdecken kann. Schlagen Sie dazu im "Datenblatt für den Systemleistungsbedarf" auf Seite 5 in diesem Handbuch und im Abschnitt "Bestimmen der System-Leistungsaufnahme" im *Ultra Enterprise 450-Server Benutzerhandbuch* nach.



Vorsicht – Alle in einem System installierten CPUs müssen mit derselben Taktfrequenz arbeiten.

Konfigurieren Sie die UltraSPARC II-CPU-Module im Server gemäß den Regeln, die im Abschnitt "Informationen über CPU-Module" des *Ultra Enterprise 450-Server Benutzerhandbuch* erläutert sind.

Wenn das System mit zwei Netzteilen ausgestattet ist und Sie kein redundantes Netzteil benötigen, verfahren Sie nach den Anweisungen in "Aus- oder Einbau eines CPU-Moduls".

Datenblatt für den Systemleistungsbedarf

Die folgenden Informationen ergänzen den Abschnitt „Arbeitsblatt für Systemleistungsbedarf“ im *Ultra Enterprise 450-Server Benutzerhandbuch*. Verwenden Sie die folgende Tabelle, wenn Sie den Leistungsbedarf der folgenden Komponenten berechnen:

- CPU-Modul mit 480 MHz mit 8 MB E-Cache
- CPU-Modul mit 400 MHz with 4 MB E-Cache
- SunCD™ 32 CD-ROM
- DVD-ROM
- 18 GB Festplattenlaufwerk
- 36 GB Festplattenlaufwerk
- DDS4 Bandlaufwerk

Leit. Nr.	Option	Qty	Strom (in A) bei +3,3 V-	Gesamt-Strom (in A) bei 3,3 V	Strom (in A) bei +5 V-	Gesamt-Strom (in A) bei 5 V	Strom (in A) bei +12 V	Gesamt-Strom (in A) bei 12 V
CPU-Optionen								
	480 MHz CPU mit 8 MB E-Cache und Gleichspannungswandler		7,5		6,7			
	400-MHz CPU mit 4 MB E-Cache und Gleichspannungswandler		5,0		5,6			
Interne Speichergeräteeoptionen								
	SunCD 32 CD-ROM				0,55		0,61	
	DVD ROM				0,42		0,51	
	18 GB Festplattenlaufwerk				0,8		0,5	
	36 GB Festplattenlaufwerk				0,8		0,5	
	DDS4 Bandlaufwerk				0,9		0,5	

Einstellen der Logik-Jumper auf der Hauptplatine

Die folgenden Informationen ersetzen die Informationen in dem Abschnitt "Jumper zum Einstellen des Systemtakts" in der *Ultra Enterprise 450 Server Benutzeranleitung*. Anders als in der Tabelle des Kapitels angegeben, benutzt der neue Sun Enterprise 450 Server mit der Hauptplatine (501-5673) zur Einstellung der Taktfrequenz die Jumper J2701 und J2702.

Setzen Sie die Jumper zur Einstellung der Taktfrequenz an den Adressen J2701 und J2702 so, dass die Taktfrequenz für Ihr UltraSPARC II CPU-Modul eingestellt ist. Kontrollieren Sie vor dem Einschalten des Systems, ob die Jumper korrekt gesetzt sind.

Taktfrequenz	J2701	J2702
250 MHz	1 + 2	2 + 3
300 MHz	1 + 2	2 + 3
400 MHz	2 + 3	2 + 3
480 MHz	2 + 3	1 + 2

Aus- oder Einbau eines CPU-Moduls

Lesen Sie vor dem Aus- oder Einbau eines CPU-Moduls den Abschnitt "Informationen über CPU-Module" in der *Ultra Enterprise 450 Server Benutzeranleitung*.



Vorsicht – Lesen Sie vor dem Einbau eines CPU-Moduls den Abschnitt "" auf Seite 6 in dieser Anleitung, und kontrollieren Sie, ob die Jumper-Einstellung der Taktfrequenz der CPU-Module entspricht, die Sie installieren. Wenn die Jumper auf der Hauptplatine falsch eingestellt sind, kann das gesamte System schwer beschädigt werden.

Wenn Sie die Leistungsaufnahme des Systems nicht kennen, schlagen Sie in dem Abschnitt "Datenblatt für den Systemleistungsbedarf" auf Seite 5 dieser Anleitung und danach im Abschnitt "Ermittlung des System-Leistungsbedarfs" der *Ultra Enterprise 450 Server Benutzeranleitung* nach.

Das 480 MHz CPU-Modul erfordert zur ausreichenden Kühlung ein Lüftungsgitter. Dieses Lüftungsgitter ist auf der Hauptplatine 501-5673 montiert. Es muss ausgebaut werden, um Zugang zu dem CPU-Modul zu erlangen, und vor dem Neustart des Systems wieder montiert werden. Anweisungen zum Ein- und Ausbau des Lüftungsgitters finden Sie unter "Ausbauen und Austauschen des CPU-Lüftungsgitters" auf Seite 8.

Richten Sie sich beim Ein- und Ausbau des CPU-Moduls in den Sun Enterprise 450 Server nach den Anweisungen in den Abschnitten "Ausbauen von CPU-Modulen" und "Einbau eines CPU-Moduls" in der *Ultra Enterprise 450 Server Benutzeranleitung*.

Entfernen Sie das ggf. montierte blanke Luftleitblech vom Steckverbinder (J0101), bevor Sie das vierte CPU-Modul in den oberen CPU-Steckplatz (CPU-A1) einsetzen. Erfassen Sie das blanke Luftleitblech am vorderen Griff und ziehen Sie es aus dem CPU-Steckplatz heraus.

Ausbauen und Austauschen des CPU-Lüftungsgitters

Auf allen Hauptplatinen 501-5673 ist ein Lüftungsgitter montiert. In den folgenden Abschnitten wird beschrieben, wie das CPU-Lüftungsgitter ausgebaut und ersetzt wird.



Vorsicht – Das Lüftungsgitter wird zur ordnungsgemäßen Kühlung unbedingt benötigt. Starten Sie das System nicht ohne montiertes Lüftungsgitter.

Ausbau des CPU-Lüftungsgitters

Vor dem Ausbau oder Einbau des CPU-Modules muss das Lüftungsgitter ausgebaut werden.



Vorsicht – Diese Arbeit muss durch eine zugelassene Servicewerkstatt erfolgen. Personen, die die äußeren Verkleidungen abbauen, um Zugang zu dem Gerät zu erhalten, müssen alle Sicherheitsvorschriften beachten, die vorgeschriebenen Qualifikationen und Zertifizierungen besitzen und alle geltenden lokalen und nationalen Gesetze einhalten.

Arbeitsvorbereitung

Vor Beginn der Arbeiten müssen die in der *Ultra Enterprise 450 Server Benutzeranleitung* beschriebenen Maßnahmen durchgeführt sein:

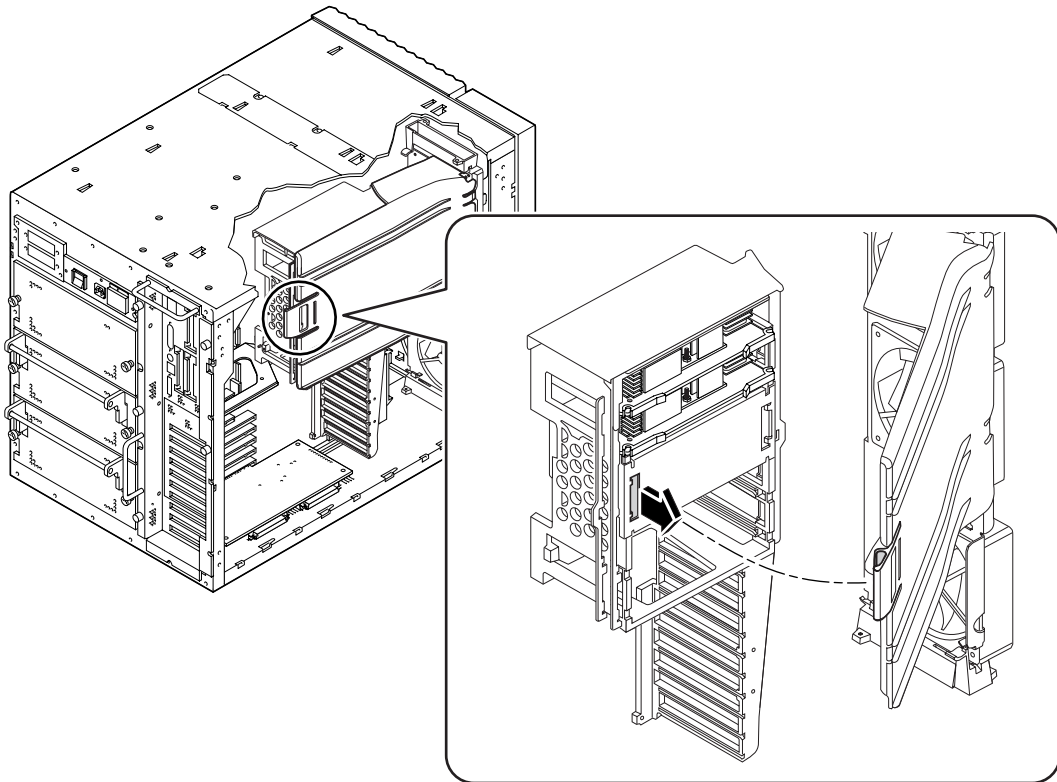
- “Abschalten des Systems”
- “Abnehmen der linken Seitenabdeckung”
- “Vermeidung von elektrostatischen Entladungen”

Erster Schritt

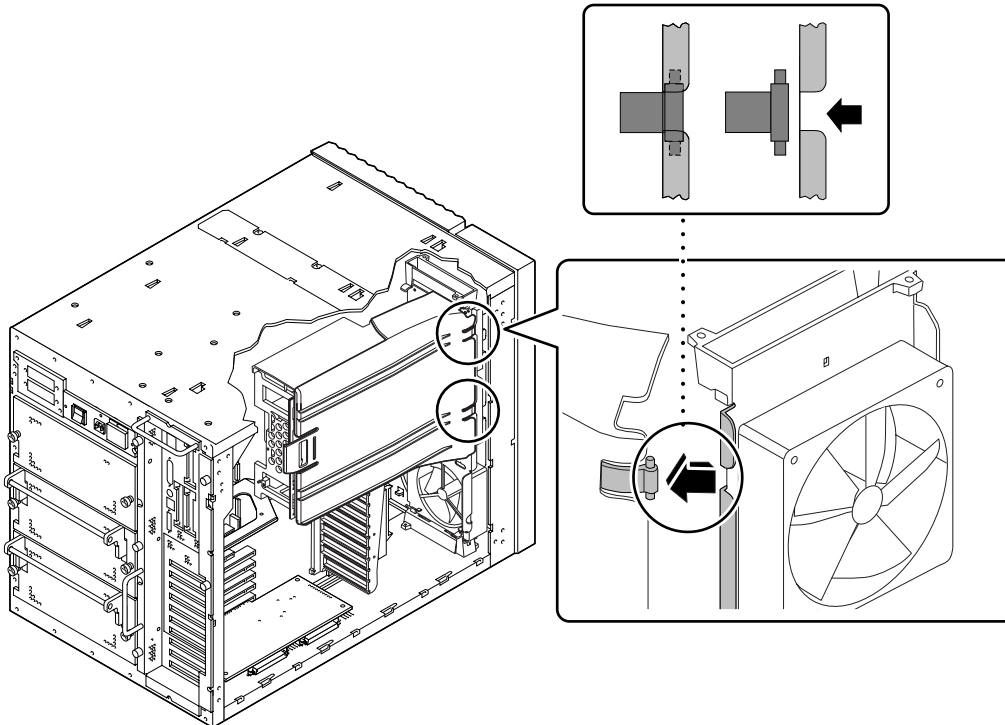
Gehen Sie beim Ausbau des CPU-Lüftungsgitters wie folgt vor:

- 1. Ziehen Sie vorsichtig die Verriegelung auf der linken Seite nach vorn und klappen Sie das Lüftungsgitter heraus.**

Die Verriegelung des Lüftungsgitters sollte aus ihrer Rastung in der Y-Schelle der Hauptplatine herauspringen.



- 2. Haken Sie die Arretierstifte des Lüftungsgitters aus dem CPU-Lüftereinschub aus.**
Schieben Sie das Lüftungsgitter zur Vorderseite des Gehäuses, bis es sich aus dem CPU-Lüftereinschub herausnehmen lässt.



Nächster Schritt

Hinweise zum Aus- und Einbau der CPU-Module finden Sie in der *Ultra Enterprise 450 Server Benutzeranleitung*.

Zum Austausch des CPU-Lüftungsgitters richten Sie sich nach:

- "Austausch des CPU-Lüftungsgitters" auf Seite 11

Austausch des CPU-Lüftungsgitters



Vorsicht – Das Lüftungsgitter ist zur ordnungsgemäßen Systemkühlung unbedingt erforderlich. Starten Sie das System nicht ohne montiertes Lüftungsgitter.



Vorsicht – Diese Arbeit muss durch eine zugelassene Servicewerkstatt erfolgen. Personen, die die äußeren Verkleidungen abbauen, um Zugang zu dem Gerät zu erhalten, müssen alle Sicherheitsvorschriften beachten, die vorgeschriebenen Qualifikationen und Zertifizierungen besitzen und alle geltenden lokalen und nationalen Gesetze einhalten.

Arbeitsvorbereitung

Vor Beginn der Arbeiten müssen die in der *Ultra Enterprise 450 Server Benutzeranleitung* beschriebenen Maßnahmen durchgeführt sein:

- “Abschalten des Systems”
- “Abnehmen der linken Seitenabdeckung”
- “Vermeidung von elektrostatischen Entladungen”

Zusätzlich ist folgender Arbeitsschritt auszuführen:

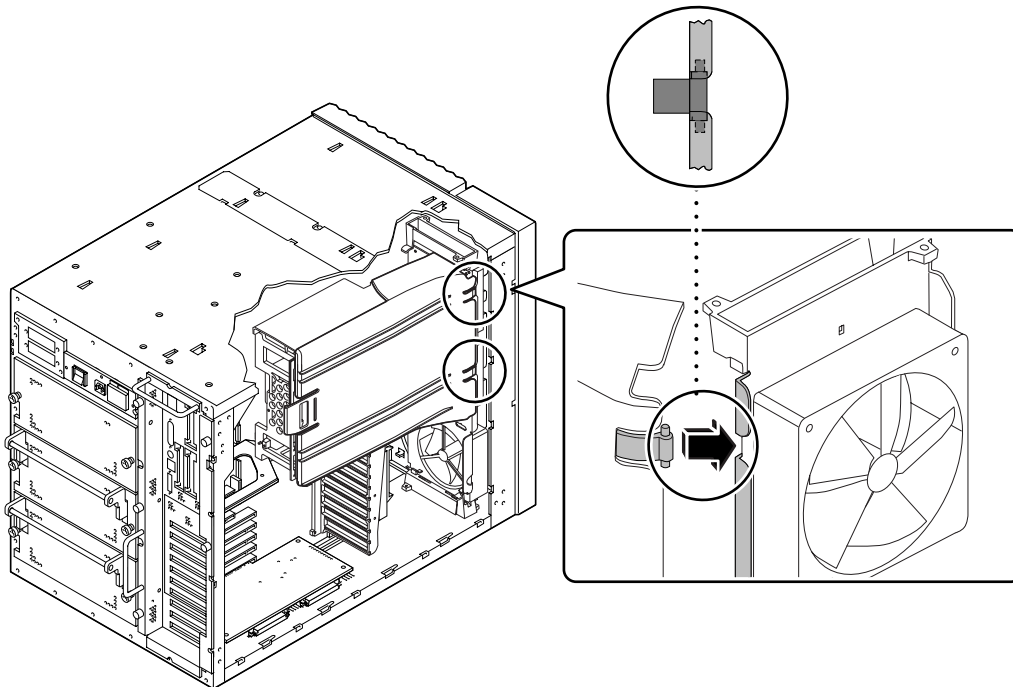
- “Ausbau des CPU-Lüftungsgitters” auf Seite 8 dieses Dokuments.

Erster Schritt

Gehen Sie beim Ausbau des CPU-Lüftungsgitters wie folgt vor:

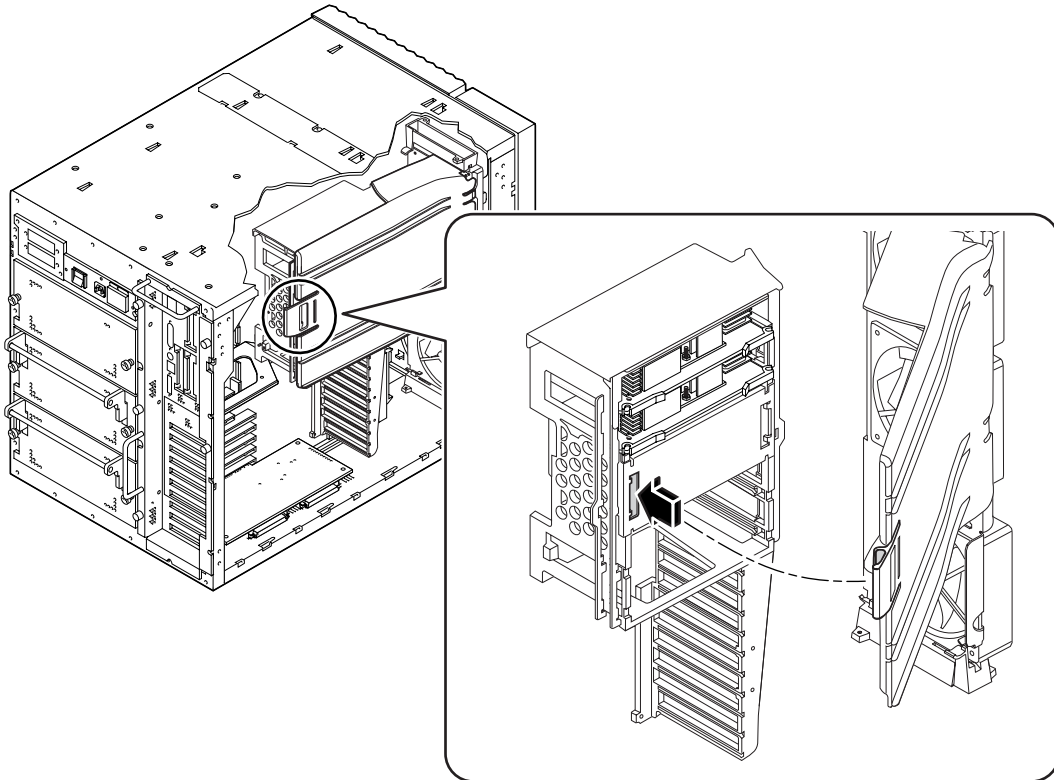
- 1. Hängen Sie die Arretierungsstifte des Lüftungsgitters unter den Schlitz des CPU-Lüftereinschubs aus.**

Das Lüftungsgitter muss zur Seite geschwenkt werden, damit genug Platz zum Aushängen der Stifte aus den Schlitz des CPU-Lüftereinschubs vorhanden ist.



- 2. Schieben Sie das Lüftungsgitter zur Rückseite des Chassis, bis die Stifte des Lüftungsgitters in dem CPU-Lüftereinschub einrasten.**

- 3. Schwenken Sie das Lüftungsgitter zur Y-Schelle der Hauptplatine und lassen Sie die Arretierung einrasten.**



Nächster Schritt

Hinweise zum Zusammenbau und zum Neustart des Systems finden Sie in der *Ultra Enterprise 450 Server Benutzeranleitung*.

Guida ai moduli CPU a 480 MHz per server Sun Enterprise 450

Questa guida può essere usata insieme al *Manuale dell'utente per server Ultra Enterprise 450* per configurare e installare il modulo CPU UltraSPARC™ II a 480 MHz. Le informazioni di questa guida sono *aggiuntive* rispetto a quelle del *Manuale dell'utente per server Ultra Enterprise 450* in dotazione con il server Sun Enterprise™ 450.

Gli argomenti trattati sono i seguenti:

- “Verifica del supporto di software, firmware e hardware” a pagina 1
- “Identificazione dei moduli CPU UltraSPARC II” a pagina 4
- “Configurazione dei moduli CPU” a pagina 5
- “Impostazione dei jumper della scheda logica principale” a pagina 6
- “Rimozione e installazione di un modulo CPU” a pagina 7
- “Rimozione e installazione del profilo di canalizzazione dell'aria della CPU” a pagina 8

Verifica del supporto di software, firmware e hardware

Per installare un modulo CPU UltraSPARC II a 480 MHz nel server, seguire le istruzioni di questa guida oltre a quelle del *Manuale dell'utente per server Ultra Enterprise 450*.

Se nel sistema sono già installati altri moduli a 480 MHz, e si desidera aggiungerne di nuovi, passare alla sezione “Rimozione e installazione di un modulo CPU” a pagina 7.

Se è stato acquistato un aggiornamento per sostituire uno o più moduli CPU UltraSPARC II a 250, 300 o 400 MHz con moduli UltraSPARC II a 480 MHz, è necessario verificare che la scheda logica principale del server supporti moduli con questa velocità e che sia installata la revisione corretta dell'immagine del firmware OpenBoot™ per Sun Enterprise 450.

Se si sta effettuando l'upgrade della velocità dei moduli CPU mediante l'installazione di nuove CPU in uno chassis preesistente, occorre in primo luogo verificare che il server supporti i moduli CPU a 480 MHz e di disporre della revisione corretta dell'immagine del firmware OpenBoot™ per Sun Enterprise 450.

Verifica del supporto dei moduli CPU a 480 MHz

Per verificare che il server supporti i moduli CPU a 480 MHz, è possibile usare un comando UNIX® o eseguire uno speciale comando al prompt ok.

Da una console o da una finestra di comando:

- **Digitare il comando seguente al prompt UNIX:**

```
% /usr/sbin/prtconf -pv | grep "501-5673"
```

Se il numero restituito è 501-5673, passare alla sezione "Identificazione dei moduli CPU UltraSPARC II" a pagina 4 di questa guida.

Se non viene restituito nessun numero, significa che la scheda di sistema non ha il numero di parte corretto (501-5673) e quindi non supporta l'installazione del nuovo modulo CPU UltraSPARC II a 480 MHz. Contattare il proprio rivenditore Sun™ per ordinare un aggiornamento della scheda. Per l'installazione della scheda e del modulo CPU, seguire le istruzioni del manuale *Sun Enterprise 450 Server Board Upgrade Guide*.

Dal prompt ok:

1. **Digitare il comando seguente:**

```
ok cd /
```

2. **Per visualizzare i dati relativi alla scheda di sistema, digitare il comando seguente:**

```
ok .prp
```

Esaminare l'output relativo alla proprietà `model`. Se la scheda di sistema non ha il numero di parte 501-5673 (o non compare alcun numero di parte), non è possibile installare il nuovo modulo CPU UltraSPARC II a 480 MHz. Contattare il proprio rivenditore Sun per ordinare un aggiornamento della scheda. Per l'installazione della scheda e del modulo CPU, seguire le istruzioni del manuale *Sun Enterprise 450 Server Board Upgrade Guide*.

Se il numero della scheda di sistema è 501-5673, passare alla sezione "Come identificare la revisione dell'immagine del firmware OpenBoot" a pagina 5-3" di questa guida.

Come identificare la revisione dell'immagine del firmware OpenBoot

Per verificare che il server supporti i moduli CPU a 480 MHz, è possibile usare un comando UNIX o eseguire uno speciale comando al prompt `ok`.

Da una console o da una finestra di comando:

- **Digitare il comando seguente al prompt UNIX:**

```
% /usr/sbin/prtconf -v | grep OBP
```

Dal prompt `ok`:

- **Digitare il comando seguente al prompt `ok`:**

```
ok .version
```

Se la versione restituita è la 3.18 o superiore, il firmware garantisce il supporto dei moduli CPU di velocità maggiore. Per maggiori informazioni, vedere la sezione “Verifica del supporto dei moduli CPU a 480 MHz” a pagina 2. Se la versione restituita è precedente alla 3.18, occorre procedere all'aggiornamento flash del firmware OpenBoot™.

Accedere al sito Web SunSolve Online™ all'indirizzo URL <http://sunsolve.Sun.COM> per reperire informazioni sull'esecuzione dell'aggiornamento flash del firmware del sistema.

Per scaricare un aggiornamento flash, collegarsi alla pagina Web SunSolve Online. Fare clic su “Patches”. Nella pagina successiva, fare clic su “Find patch” per individuare la patch numero 106503, quindi seguire le istruzioni visualizzate sullo schermo.

Requisiti software del sistema

Il server Sun Enterprise 450 richiede Solaris 2.5.1 Hardware: 11/97, Solaris 2.6 Hardware: 3/98, Solaris 7, Solaris 8, o una release successiva compatibile di Solaris. Per verificare che sul server Sun Enterprise 450 sia installata la versione corretta dell'ambiente operativo, esaminare il file `/etc/release`, che dovrebbe contenere ad esempio, il testo “Solaris 2.5.1 Hardware: 11/97” o identificare una release successiva compatibile di Solaris.

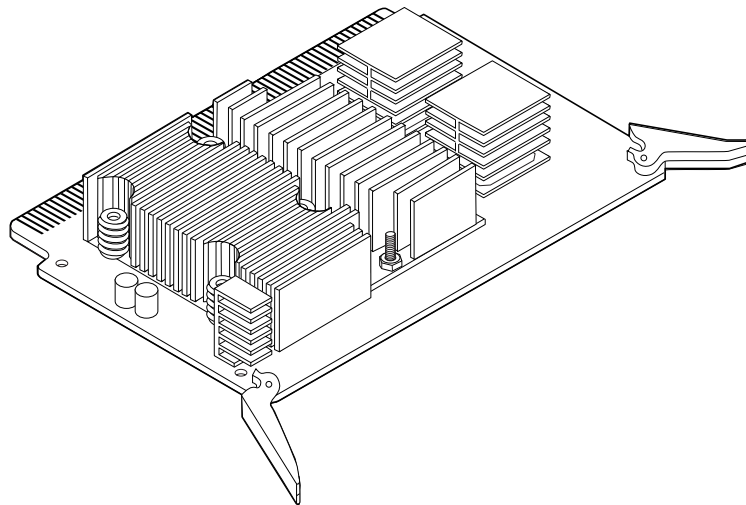
Per maggiori informazioni sulla compatibilità del software, consultare la pubblicazione Sun *Installazione di Solaris su sistemi hardware specifici* (806-4005), fornita con il CD di installazione dell'ambiente operativo.

Tutte le patch necessarie per la versione del software Solaris in uso sono reperibile presso il sito Web SunSolve Online all'indirizzo URL:

<http://sunsolve.Sun.COM/>

Identificazione dei moduli CPU UltraSPARC II

Il server Sun Enterprise 450 supporta un massimo di quattro moduli CPU UltraSPARC™ II a 250 MHz, 300 MHz, 400 MHz o 480 MHz. La figura seguente mostra il nuovo modulo UltraSPARC II a 480 MHz, dotato di 8 Mbyte di memoria cache integrata.



Prima di installare un modulo CPU, verificare che si tratti di uno dei seguenti moduli UltraSPARC II per server Sun Enterprise 450. La tabella seguente riporta le velocità in MHz dei vari moduli CPU.

Velocità del modulo CPU (MHz)	Numero di parte
UltraSPARC II a 250 MHz	501-4857 o 501-4278
UltraSPARC II a 300 MHz	501-4849 o 501-4196
UltraSPARC II a 400 MHz	501-5239 o 501-5446
UltraSPARC II a 480 MHz	501-5729

Configurazione dei moduli CPU

Prima di configurare uno o più moduli CPU, determinare se il sistema supporti i requisiti di alimentazione della nuova configurazione. Vedere a riguardo la sezione “Requisiti di alimentazione del sistema” a pagina 5 di questa guida, e la sezione “Come determinare i requisiti di potenza del sistema” del *Manuale dell'utente per server Ultra Enterprise 450*.



Attenzione – Tutti i moduli CPU installati in un sistema devono operare alla stessa velocità di clock.

Configurare i moduli CPU UltraSPARC II nel server secondo le regole descritte nella sezione “Informazioni sui moduli della CPU” del *Manuale dell'utente per server Ultra Enterprise 450*.

Se il sistema dispone di due alimentatori e non è richiesta un'alimentazione ridondante, seguire le istruzioni della sezione successiva, “Rimozione e installazione di un modulo CPU” a pagina 7.

Requisiti di alimentazione del sistema

Le informazioni seguenti integrano il contenuto della sezione “Foglio di lavoro per i requisiti di alimentazione del sistema” del *Manuale dell'utente per server Ultra Enterprise 450*. La tabella qui sotto permette di calcolare i requisiti di alimentazione in caso di installazione dei componenti seguenti:

- Modulo CPU a 480 MHz con 8 MB di cache esterna
- Modulo CPU a 400 MHz con 4 MB di cache esterna
- CD-ROM SunCD™ 32X
- DVD ROM
- Unità disco rigido da 18 GB
- Unità disco rigido da 36 GB
- Unità nastro DDS4.

Riga N.	Dispositivo	Qtà	Amp a 3,3 V c.c.	Totale Ampere a 3,3 V	Amp a +5 V c.c.	Totale Ampere a 5 V	Amp a +12 Vc.c.	Totale Ampere a 12 V
CPU								
	CPU a 480 MHz con 8 MB di Ecache e convertitore DC/DC		7,5		6,7			
	CPU a 400 MHz con 4 MB di Ecache e convertitore DC/DC		5,0		5,6			
Dispositivi di memorizzazione interni								
	CD-ROM SunCD 32				0,55		0,61	
	DVD ROM				0,42		0,51	
	Unità disco rigido da 18 GB				0,8		0,5	
	Unità disco rigido da 36 GB				0,8		0,5	
	Unità nastro DDS4				0,9		0,5	

Impostazione dei jumper della scheda logica principale

Le seguenti informazioni rappresentano un aggiornamento della sezione "Informazioni sul jumper di selezione della modalità di clock" del *Manuale dell'utente per server Ultra Enterprise 450*. Diversamente da quanto indicato nella tabella della sezione citata, la scheda logica principale del server Sun Enterprise 450 (501-5673) utilizza i jumper J2701 e J2702 per la selezione della modalità di clock.

Impostare il ponticello del jumper per la selezione della modalità di clock agli indirizzi J2701 e J2702 in modo che corrisponda alla velocità del modulo CPU UltraSPARC II. Verificare che l'impostazione sia corretta prima di avviare il sistema.

Velocità di clock	J2701	J2702
250 MHz	1 + 2	2 + 3
300 MHz	1 + 2	2 + 3
400 MHz	2 + 3	2 + 3
480 MHz	2 + 3	1 + 2

Rimozione e installazione di un modulo CPU

Prima di rimuovere o installare un modulo CPU, leggere la sezione “Informazioni sui moduli della CPU” del *Manuale dell'utente per server Ultra Enterprise 450*.



Attenzione – Prima di installare un qualsiasi modulo CPU, leggere la sezione “Impostazione dei jumper della scheda logica principale” a pagina 6, e verificare che l'impostazione dei jumper sia corretta per la velocità del modulo CPU da installare. Un'impostazione errata dei jumper per la selezione della modalità di clock della scheda logica principale può causare gravi danni al sistema.

Se occorre determinare il consumo di energia del sistema, leggere la sezione “Requisiti di alimentazione del sistema” a pagina 5 di questa guida, e quindi consultare la sezione “Come determinare i requisiti di potenza del sistema” del *Manuale dell'utente per server Ultra Enterprise 450*.

Per il corretto raffreddamento dei moduli CPU a 480 MHz è richiesto un profilo di canalizzazione dell'aria, normalmente installata sulla scheda logica principale 501-5673. Per accedere ai moduli CPU è necessario rimuovere il profilo di canalizzazione dell'aria e quindi ricollocarlo prima di riavviare il sistema. Le istruzioni per la rimozione e il successivo riposizionamento del profilo sono fornite nella sezione “Rimozione e installazione del profilo di canalizzazione dell'aria della CPU” a pagina 8.

Per rimuovere o installare uno o più moduli CPU nel server Sun Enterprise 450, seguire le istruzioni delle sezioni “Come rimuovere un modulo della CPU” e “Come installare un modulo della CPU” del *Manuale dell'utente per server Ultra Enterprise 450*.

Prima di installare il quarto modulo CPU nello slot superiore (CPU-A1), rimuovere il modulo di protezione installato nel connettore (J0101). Afferrare il modulo di protezione per l'impugnatura anteriore ed estrarlo dallo slot.

Rimozione e installazione del profilo di canalizzazione dell'aria della CPU

Tutte le schede logiche principali 501-5673 comprendono un profilo per la canalizzazione dell'aria alla CPU. Le sezioni seguenti indicano come rimuoverlo e ricollocarlo.



Attenzione – Il profilo di canalizzazione dell'aria è essenziale per un corretto raffreddamento del sistema. Non avviare il sistema senza aver prima installato questo profilo.

Come rimuovere il profilo di canalizzazione dell'aria della CPU

Prima di procedere alla rimozione o all'installazione dei moduli CPU, occorre rimuovere il profilo di canalizzazione dell'aria.



Attenzione – Questa procedura deve essere eseguita da personale qualificato. Chiunque rimuova i pannelli esterni per avere accesso ai componenti interni del server deve osservare tutte le precauzioni di sicurezza e soddisfare i requisiti applicabili e previsti in materia di formazione professionale, certificazione e normative locali e nazionali.

Prima di iniziare

Completare le seguenti operazioni, come descritto nel *Manuale dell'utente per server Ultra Enterprise 450*:

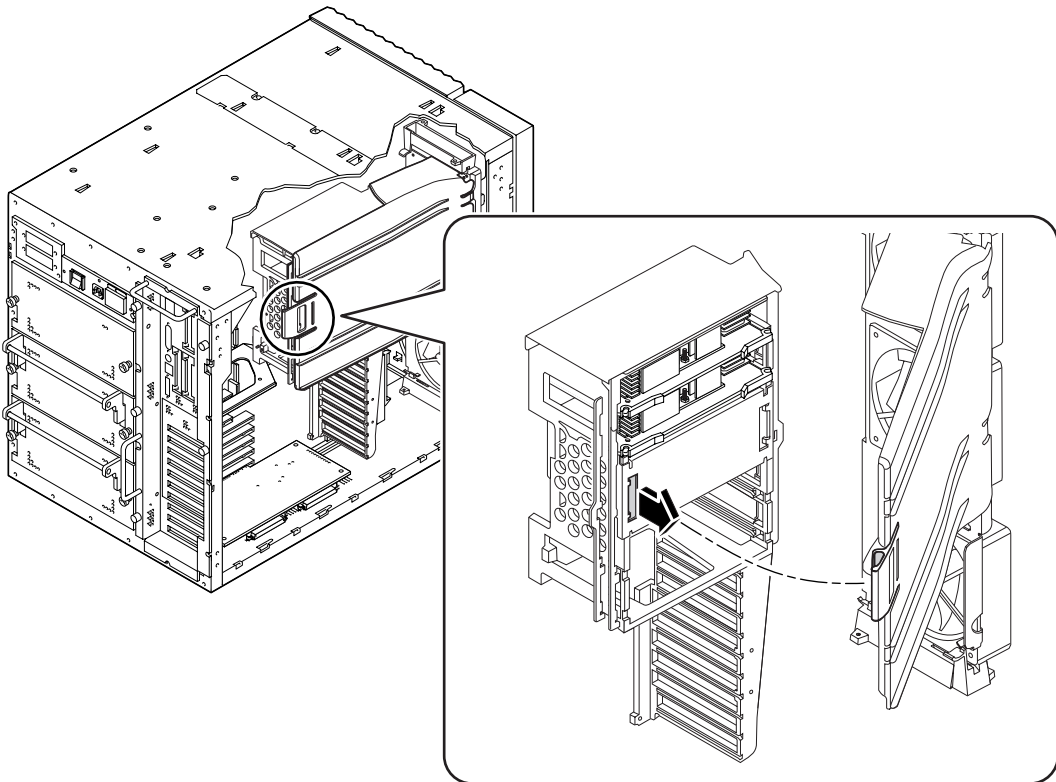
- “Come spegnere il sistema”
- “Come rimuovere il pannello sinistro”
- “Come evitare le scariche elettrostatiche”

Come procedere

Per rimuovere il profilo di canalizzazione dell'aria della CPU, procedere come segue:

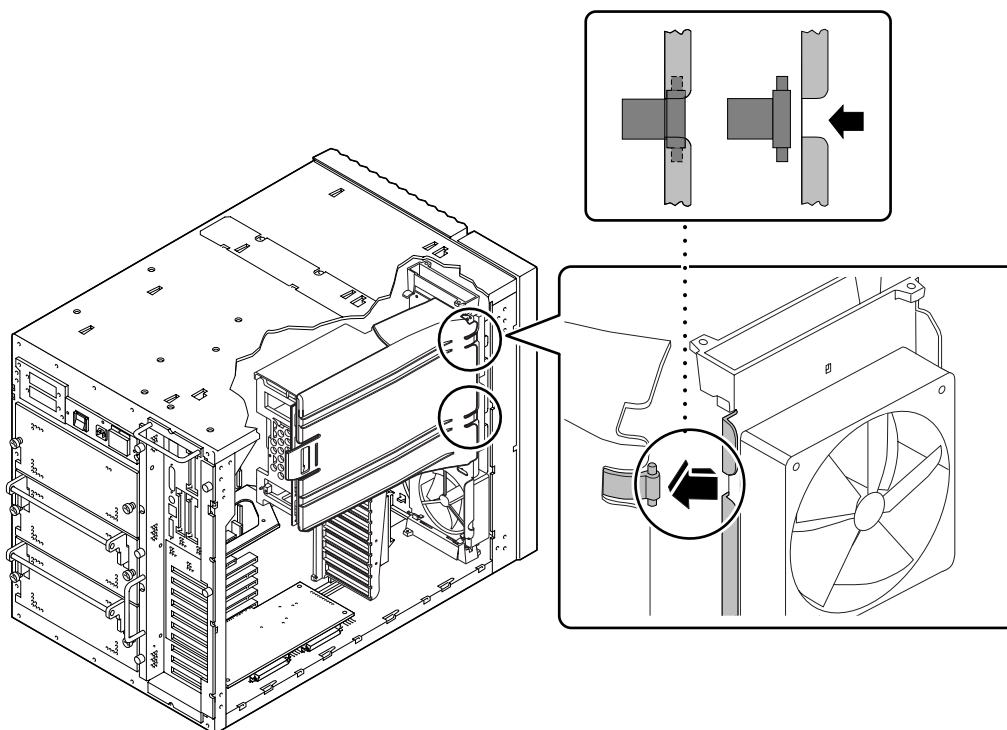
- 1. Tirare delicatamente verso l'esterno la levetta di blocco di sinistra ed estrarre il profilo di canalizzazione dell'aria.**

La levetta di blocco del profilo di canalizzazione dell'aria si sgancerà dal suo alloggiamento sulla staffa della scheda logica principale.



2. Sganciare le linguette del profilo dal gruppo di ventilazione della CPU.

Estrarre il profilo di canalizzazione dell'aria facendolo scorrere verso la parte anteriore dello chassis per liberarlo dal gruppo di ventilazione della CPU.



Argomenti successivi

Per reperire indicazioni su come rimuovere o installare i moduli CPU, vedere il *Manuale dell'utente per server Ultra Enterprise 450*.

Per ricollocare il profilo di canalizzazione dell'aria della CPU, completare la procedura seguente:

- “Come ricollocare il profilo di canalizzazione dell'aria della CPU” a pagina 11

Come ricollocare il profilo di canalizzazione dell'aria della CPU



Attenzione – Il profilo di canalizzazione dell'aria è essenziale per un corretto raffreddamento del sistema. Non avviare il sistema senza aver prima installato il profilo.



Attenzione – Questa procedura deve essere eseguita da personale qualificato. Chiunque rimuova i pannelli esterni per avere accesso ai componenti interni del server deve osservare tutte le precauzioni di sicurezza e soddisfare i requisiti applicabili e previsti in materia di formazione professionale, certificazione e normative locali e nazionali.

Prima di iniziare

Completare le seguenti operazioni, come descritto nel *Manuale dell'utente per server Ultra Enterprise 450*:

- “Come spegnere il sistema”
- “Come rimuovere il pannello sinistro”
- “Come evitare le scariche elettrostatiche”

Inoltre, completare la procedura seguente:

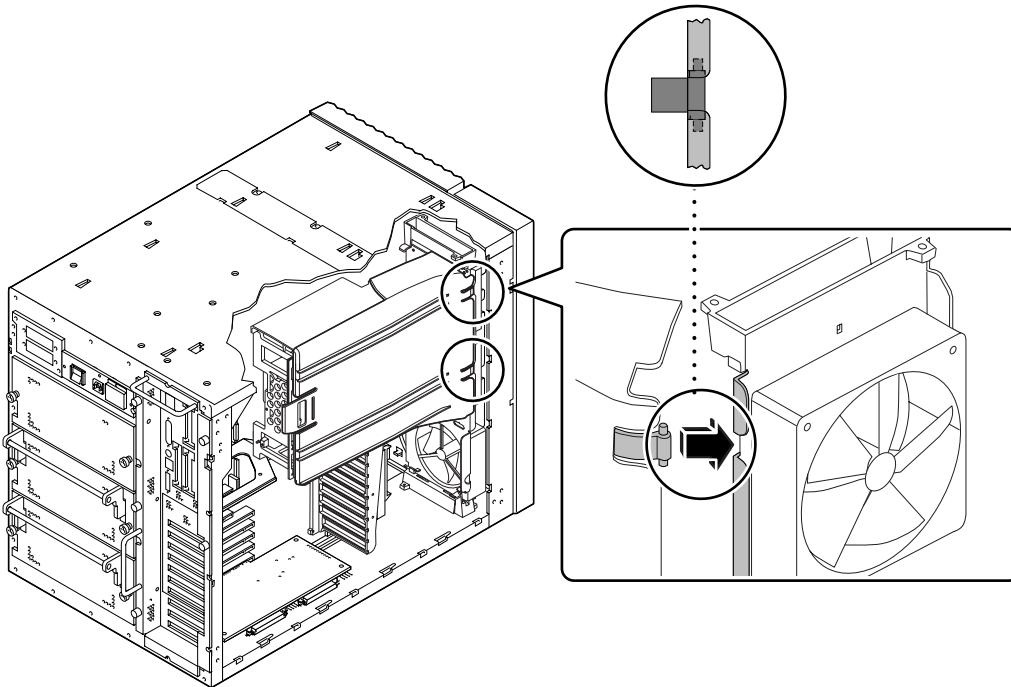
- “Come rimuovere il profilo di canalizzazione dell'aria della CPU” a pagina 8 di questo documento.

Come procedere

Per ricollocare il profilo di canalizzazione dell'aria della CPU, procedere come segue:

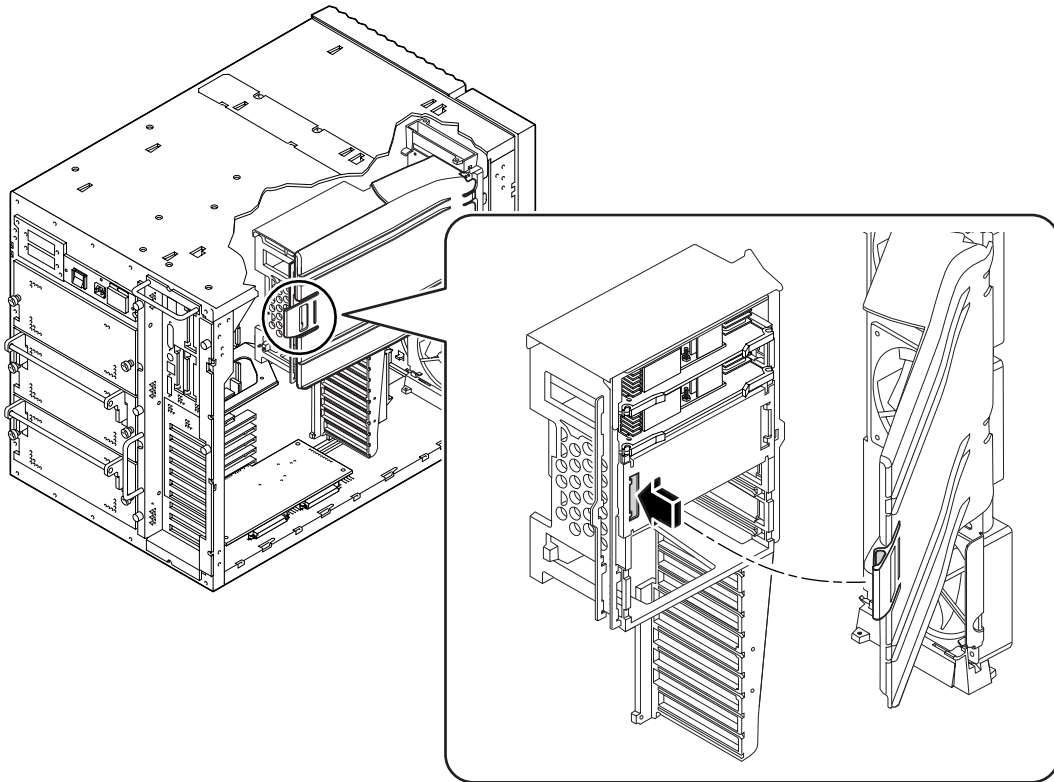
1. Agganciare le linguette del profilo al gruppo di ventilazione della CPU.

È necessario tenere inclinata il profilo per disporre dello spazio necessario a inserire le linguette sotto gli appositi fori del gruppo di ventilazione della CPU.



2. Far scorrere il profilo di canalizzazione dell'aria verso la parte posteriore dello chassis per assicurare saldamente le linguette del profilo al gruppo di ventilazione della CPU.

- 3. Posizionare il profilo contro la staffa della scheda logica principale e bloccare in posizione la levetta.**



Argomenti successivi

Consultare il *Manuale dell'utente per server Ultra Enterprise 450* per reperire le istruzioni per il riassettaggio e l'avvio del sistema.

Servidor Sun Enterprise 450 Guía de los módulos de CPU de 480 MHz

Esta guía debe utilizarse en combinación con el manual *Ultra Enterprise 450 Server: Guía del propietario* para configurar e instalar el módulo de CPU UltraSPARC™ II de 480 MHz. La información de esta guía *complementa* a la contenida en el manual *Ultra Enterprise 450 Server: Guía del propietario* que se suministra con el servidor Sun Enterprise™ 450.

Este documento trata los temas siguientes:

- “Verificación de la compatibilidad de hardware, firmware y software” en la página 1
- “Identificación de los módulos de CPU UltraSPARC II” en la página 4
- “Configuración de los módulos de CPU” en la página 5
- “Configuración de los puentes de la placa lógica principal” en la página 6
- “Instalación o extracción de un módulo de CPU” en la página 7
- “Extracción y montaje de la guía de aire de la CPU” en la página 8

Verificación de la compatibilidad de hardware, firmware y software

Si va a instalar un módulo de CPU UltraSPARC II de 480 MHz en el servidor, utilice este documento como complemento del manual *Ultra Enterprise 450 Server: Guía del propietario*.

Si el sistema ya tiene instalados módulos de 480 MHz y va a agregar nuevos módulos, consulte la sección “Instalación o extracción de un módulo de CPU” en la página 7.

Si ha adquirido una opción de actualización para sustituir los módulos de CPU UltraSPARC II de 250, 300 o 400 MHz por módulos UltraSPARC II de 480 MHz, deberá verificar si la placa lógica principal del servidor admite módulos de frecuencia superior y si se ha instalado la versión correcta de la imagen de firmware de Sun Enterprise 450 OpenBoot™.

Si desea actualizar la frecuencia del módulo de CPU e instalar la CPU en una estructura antigua, deberá verificar si el servidor admite módulos de CPU de 480 MHz y si la versión de firmware de Sun Enterprise 450 OpenBoot es la adecuada.

Verificación de la compatibilidad de los módulos de CPU de 480 MHz

Para verificar si el servidor admite módulos de 480 MHz, puede utilizar un comando UNIX[®] o averiguarlo desde el indicador `ok`.

Desde una consola o desde una ventana de comandos:

- **Escriba el comando siguiente en el indicador de UNIX:**

```
% /usr/sbin/prtconf -pv | grep "501-5673"
```

Si el número obtenido es 501-5673, consulte la sección “Identificación de los módulos de CPU UltraSPARC II” en la página 4 de este documento.

Si no obtiene ningún número, quiere decir que la placa del sistema no tiene el número de referencia 501-5673 y que no puede instalar el nuevo módulo de CPU UltraSPARC II de 480 MHz en la placa lógica principal del sistema. Acuda a un representante de Sun[™] si desea pedir una actualización de la placa. Siga las instrucciones de instalación del módulo de CPU y de la placa del manual *Sun Enterprise 450 Server Board Upgrade Guide*.

Si aparece el indicador `ok`:

1. **Escriba el siguiente comando:**

```
ok cd /
```

2. **Escriba el siguiente comando para obtener la lista de datos relativos al sistema:**

```
ok .prp
```

Examine la lista relativa a la propiedad `model`. Si la placa del sistema no tiene el número de referencia 501-5673, o no hay ningún número de referencia en la lista, quiere decir que no puede instalar el módulo de CPU UltraSPARC II de 480 MHz. Acuda a un representante de Sun si desea pedir una actualización de la placa. Siga las instrucciones de instalación del módulo de CPU y de la placa del manual *Sun Enterprise 450 Server Board Upgrade Guide*.

Si el número de la placa del sistema es 501-5673, consulte la sección siguiente, “Identificación de la versión de la imagen de firmware de OpenBoot”.

Identificación de la versión de la imagen de firmware de OpenBoot

Para verificar si el servidor admite módulos de 480 MHz, puede utilizar un comando UNIX o averiguarlo desde el indicador `ok`.

Desde una consola o desde una ventana de comandos:

- **Escriba el comando siguiente en el indicador de UNIX:**

```
% /usr/sbin/prtconf -v | grep OBP
```

Desde el indicador `ok`:

- **Escriba el comando siguiente en el indicador `ok`:**

```
ok .version
```

Si la versión obtenida es la 3.18 u otra posterior compatible, el firmware admite módulos de frecuencia superior. Para obtener más información, consulte la sección “Verificación de la compatibilidad de los módulos de CPU de 480 MHz” en la página 2. Si la versión es anterior a la 3.18, deberá actualizar inmediatamente el firmware de OpenBoot™.

Consulte el sitio Web SunSolve Online™ en la dirección URL <http://sunsolve.Sun.COM> si desea obtener información sobre la actualización inmediata del firmware del sistema.

Para descargar una actualización inmediata, acceda al sitio SunSolve Online y haga clic en “Patches”. En la página siguiente, haga clic en “Find Patch” para buscar el parche con número de referencia 106503 y siga las instrucciones de la pantalla.

Este sitio también incluye una serie de normas generales para la localización de los documentos de Sun, y éste en particular.

Identificación de los requisitos de software del sistema

El servidor Sun Enterprise 450 requiere hardware Solaris 2.5.1: 11/97, Solaris 2.6: 3/98, Solaris 7, Solaris 8 o una versión posterior de Solaris que sea compatible. Para verificar si se ha instalado la versión correcta del entorno operativo en el servidor Sun Enterprise 450, revise el archivo `/etc/release`. Este archivo debería contener el texto “Solaris 2.5.1 Hardware: 11/97”, por ejemplo, o identificar una versión posterior de Solaris que sea compatible.

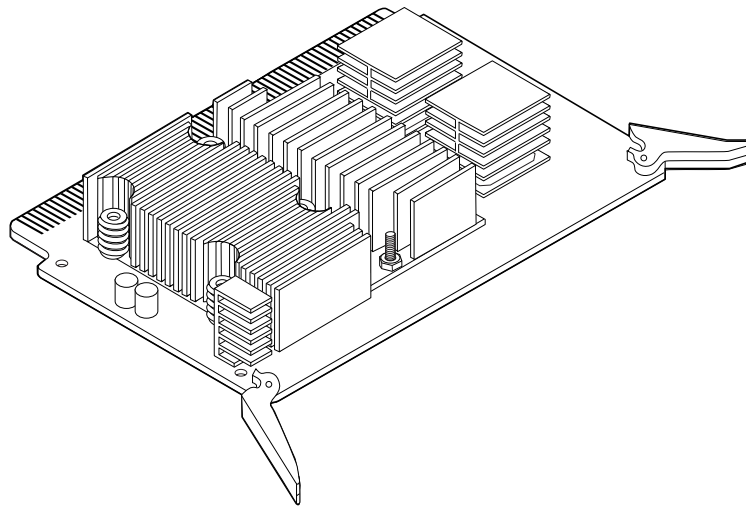
Para obtener más información sobre la compatibilidad del software, consulte la publicación de Sun *Instalación del software de Solaris en determinados sistemas de hardware* (806-4005) que se suministra con el CD de instalación del entorno operativo.

Los parches necesarios para la versión de software Solaris pueden conseguirse en el sitio SunSolve Online, en la dirección URL:

<http://sunsolve.Sun.COM/>

Identificación de los módulos de CPU UltraSPARC II

El servidor Sun Enterprise 450 admite hasta cuatro módulos de CPU UltraSPARC II de 250 MHz, de 300 MHz, de 400 MHz o de 480 MHz. La figura siguiente muestra el nuevo módulo de CPU UltraSPARC II de 480 MHz abierto con 8 Mbytes de memoria caché integrada.



Antes de instalar cualquier módulo, compruebe si pertenece a uno de los siguientes tipos de módulos UltraSPARC II para servidores Sun Enterprise 450. En la tabla siguiente se indican las distintas frecuencias disponibles.

Frecuencia del módulo (MHz)	Número de referencia
UltraSPARC II de 250 MHz	501-4857 o 501-4278
UltraSPARC II de 300 MHz	501-4849 o 501-4196
UltraSPARC II de 400 MHz	501-5239 o 501-5446
UltraSPARC II de 480 MHz	501-5729

Configuración de los módulos de CPU

Antes de configurar el módulo de CPU, determine si el sistema responde a las necesidades de potencia de la nueva configuración. Consulte la sección “Hoja de requisitos de potencia del sistema” en la página 5 de este documento y la sección “Cómo determinar las necesidades de potencia del sistema” del manual *Ultra Enterprise 450 Server: Guía del propietario*.



Precaución – Todos los módulos de CPU instalados en un sistema deben operar a la misma frecuencia de reloj.

Configure los módulos de CPU UltraSPARC II del servidor siguiendo las directrices especificadas en la sección “Acerca de los módulos de CPU” del manual *Ultra Enterprise 450 Server: Guía del propietario*.

Si el sistema cuenta con dos fuentes de alimentación y no necesita una fuente de alimentación redundante, siga las instrucciones de la sección “Instalación o extracción de un módulo de CPU”, incluida a continuación.

Hoja de requisitos de potencia del sistema

La información siguiente sirve de complemento a la que encontrará en la sección “Hoja de requisitos de potencia del sistema” del manual *Ultra Enterprise 450 Server: Guía del propietario*. Si va a instalar cualquiera de los componentes citados a continuación, utilice la tabla de la página siguiente para calcular las necesidades de potencia:

- Módulo de CPU de 480 MHz con 8 Mbytes de caché ext.
- Módulo de CPU de 400 MHz con 4 Mbytes de caché ext.
- Unidad de CD-ROM SunCD™ 32
- Unidad de DVD ROM
- Unidad de disco duro de 18 Gbytes
- Unidad de disco duro de 36 Gbytes
- Unidad de cinta DDS4

N° de línea	Opción	Ctd	Amp a +3,3 VCC	Total amp a 3,3 V	Amp a +5 VCC	Total amp a 5 V	Amp a +12 VCC	Total amp a 12 V
Opciones de CPU								
	CPU de 480 MHz con 8 MB de caché ext. y conversor DC/DC		7,5		6,7			
	CPU de 400 MHz con 4 MB de caché ext. y conversor DC/DC		5,0		5,6			
Opciones de dispositivo de almacenamiento interno								
	Unidad de CD-ROM SunCD 32				0,55		0,61	
	Unidad de DVD ROM				0,42		0,51	
	Unidad de disco duro de 18 GB				0,8		0,5	
	Unidad de disco duro de 36 GB				0,8		0,5	
	Unidad de cinta DDS4				0,9		0,5	

Configuración de los puentes de la placa lógica principal

La información siguiente sustituye a la contenida en la sección “Acerca del puente de selección de la modalidad de reloj” del manual *Ultra Enterprise 450 Server: Guía del propietario*. Al contrario de lo que se indica en la tabla de dicha sección, la nueva placa lógica principal (501-5673) del servidor Sun Enterprise 450 utiliza los puentes de selección de la modalidad de reloj J2701 y J2702.

Configure los contactos de puente de modalidad de reloj en las direcciones J2701 y J2702 para que se corresponda con la frecuencia del módulo de CPU UltraSPARC II. Compruebe si la configuración de los puentes es correcta antes de iniciar el sistema.

Frecuencia de reloj	J2701	J2702
250 MHz	1 + 2	2 + 3
300 MHz	1 + 2	2 + 3
400 MHz	2 + 3	2 + 3
480 MHz	2 + 3	1 + 2

Instalación o extracción de un módulo de CPU

Antes de instalar o extraer un módulo de CPU, consulte la sección “Acerca de los módulos de CPU” del manual *Ultra Enterprise 450 Server: Guía del propietario*.



Precaución – Antes de instalar un módulo de CPU, lea la sección “Configuración de los puentes de la placa lógica principal” en la página 6 de este documento y compruebe si la configuración de los puentes es adecuada para la frecuencia del módulo que va a instalar. Una disposición incorrecta de los puentes que definen la modalidad de reloj de la placa lógica principal puede ocasionar serios daños en el sistema.

Si necesita conocer el consumo de energía del sistema, consulte la sección “Hoja de requisitos de potencia del sistema” en la página 5 de este documento y, a continuación, la sección “Cómo determinar las necesidades de potencia del sistema” del manual *Ultra Enterprise 450 Server: Guía del propietario*.

En los módulos de CPU de 480 MHz se requiere la instalación de una guía de aire para mantener una refrigeración adecuada. Esta guía, que se instala en la placa lógica principal 501-5673, debe desmontarse para acceder a los módulos e instalarse de nuevo antes de reiniciar el sistema. Consulte las instrucciones de instalación y extracción de la guía de aire en la sección “Extracción y montaje de la guía de aire de la CPU” en la página 8.

Cuando vaya a instalar o extraer módulos de CPU en el servidor Sun Enterprise 450, siga las instrucciones contenidas en las secciones “Cómo extraer un módulo de CPU” y “Cómo instalar un módulo de CPU” del manual *Ultra Enterprise 450 Server: Guía del propietario*.

Si el conector (J0101) de la ranura superior de la CPU (CPU-A1) tiene instalada una placa de protección, retírela antes de instalar el cuarto módulo. Sujete la placa por su parte frontal y deslicela para extraerla de la ranura.

Extracción y montaje de la guía de aire de la CPU

Todas las placas lógicas principales 501-5673 incluyen una guía de aire. En las secciones siguientes se describe el procedimiento de extracción e instalación de la guía de aire de la CPU.



Precaución – La guía de aire es imprescindible para una buena refrigeración del sistema. No inicie el sistema si no ha instalado la guía de aire.

Extracción de la guía de aire de la CPU

Antes de extraer o instalar los módulos de la CPU, debe quitar la guía de aire.



Precaución – Un proveedor de mantenimiento con la preparación adecuada deberá realizar este procedimiento. Toda persona que extraiga los paneles exteriores para acceder al equipo deberá respetar las advertencias de seguridad y cumplir los requisitos de capacitación y homologación, así como los establecidos por la legislación local y nacional vigente.

Antes de empezar

Realice los procedimientos descritos en el manual *Ultra Enterprise 450 Server: Guía del propietario*:

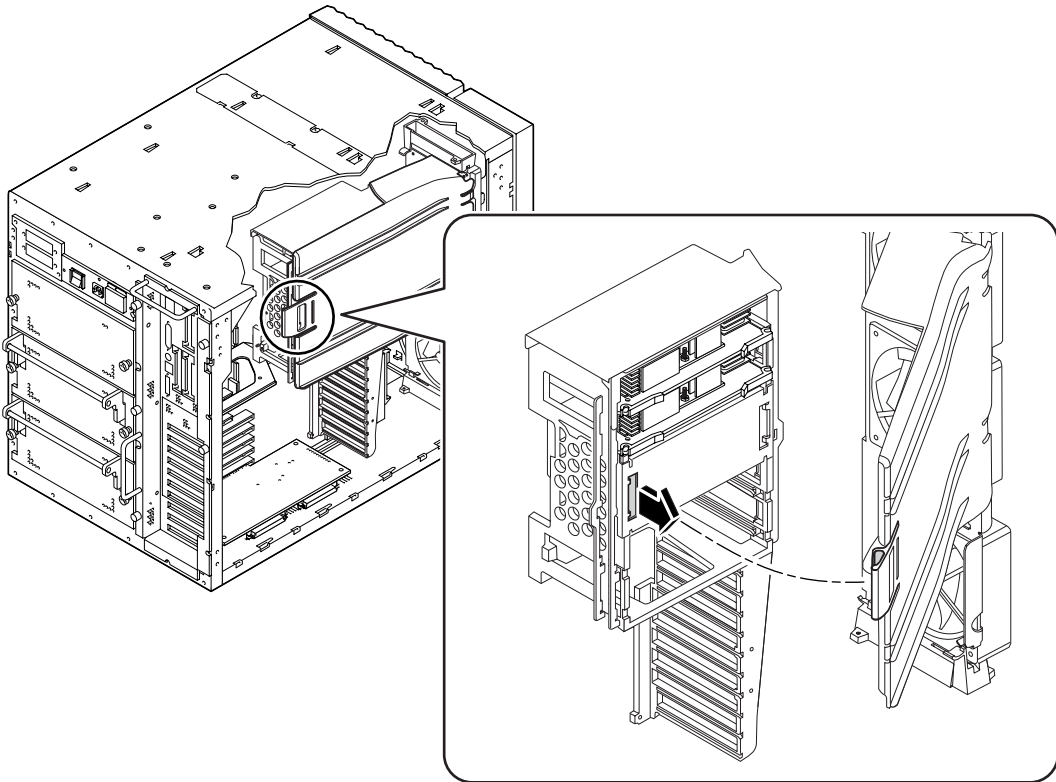
- “Cómo apagar el sistema”
- “Cómo extraer el panel lateral izquierdo”
- “Cómo evitar las descargas electrostáticas”

Qué hacer

Para extraer la guía de aire de la CPU, realice lo siguiente:

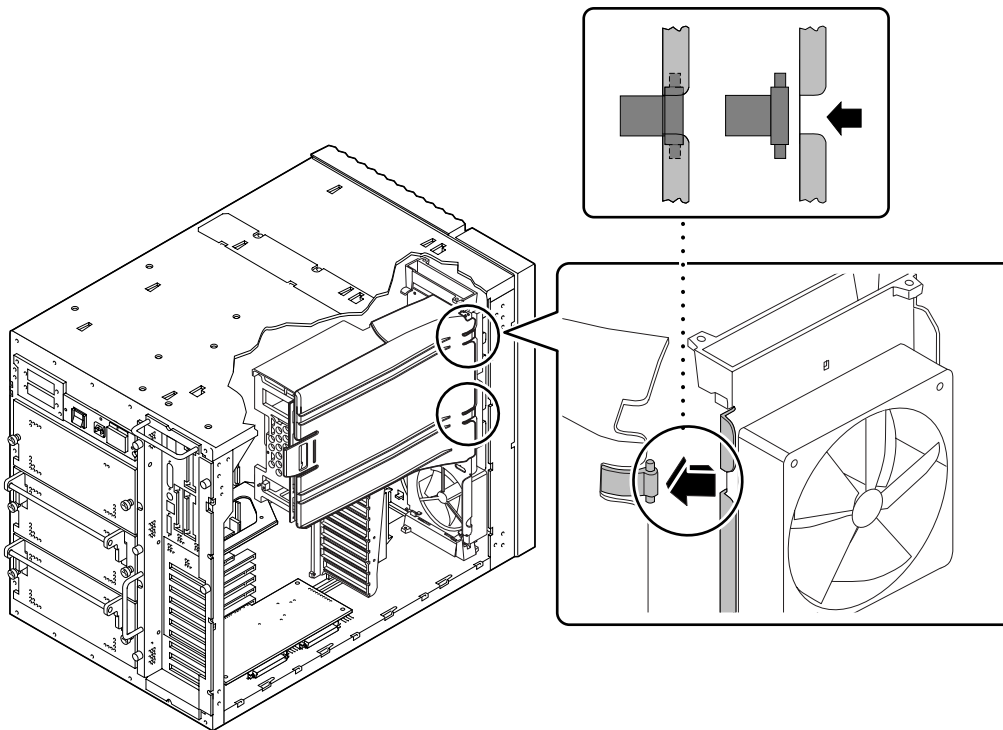
- 1. Tire hacia fuera del seguro con cuidado y gire la guía de aire para extraerla.**

El seguro de la guía debería soltarse del enganche situado en el soporte bifurcado de la placa lógica principal.



2. Desenganche las lengüetas de la guía de aire del conjunto de la bandeja del ventilador de la CPU.

Deslice la guía hacia la parte delantera de la estructura para desengancharla del conjunto de la bandeja del ventilador.



Y después

Consulte las instrucciones de extracción e instalación de los módulos de CPU en el manual *Ultra Enterprise 450 Server: Guía del propietario*.

Para volver a montar la guía de aire de la CPU, realice los procedimientos siguientes:

- “Instalación de la guía de aire de la CPU” en la página 11

Instalación de la guía de aire de la CPU



Precaución – La guía de aire es imprescindible para una buena refrigeración del sistema. No ejecute el sistema si no ha instalado la guía de aire.



Precaución – Un proveedor de mantenimiento con la preparación adecuada deberá realizar este procedimiento. Toda persona que extraiga los paneles exteriores para acceder al equipo deberá respetar las advertencias de seguridad y cumplir los requisitos de capacitación y homologación, así como los establecidos por la legislación local y nacional vigente.

Antes de empezar

Realice los procedimientos descritos en el manual *Ultra Enterprise 450 Server: Guía del propietario*:

- “Cómo apagar el sistema”
- “Cómo extraer el panel lateral izquierdo”
- “Cómo evitar las descargas electrostáticas”

Realice también los siguientes procedimientos:

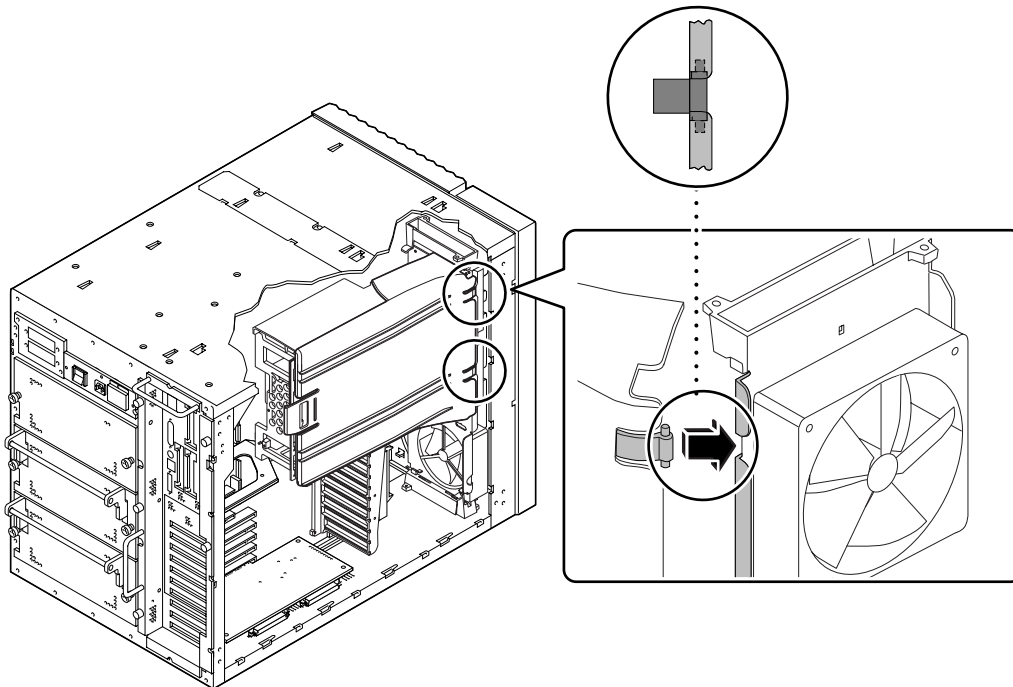
- “Extracción de la guía de aire de la CPU” en la página 8 de este documento

Qué hacer

Para volver a montar la guía de aire de la CPU, realice lo siguiente:

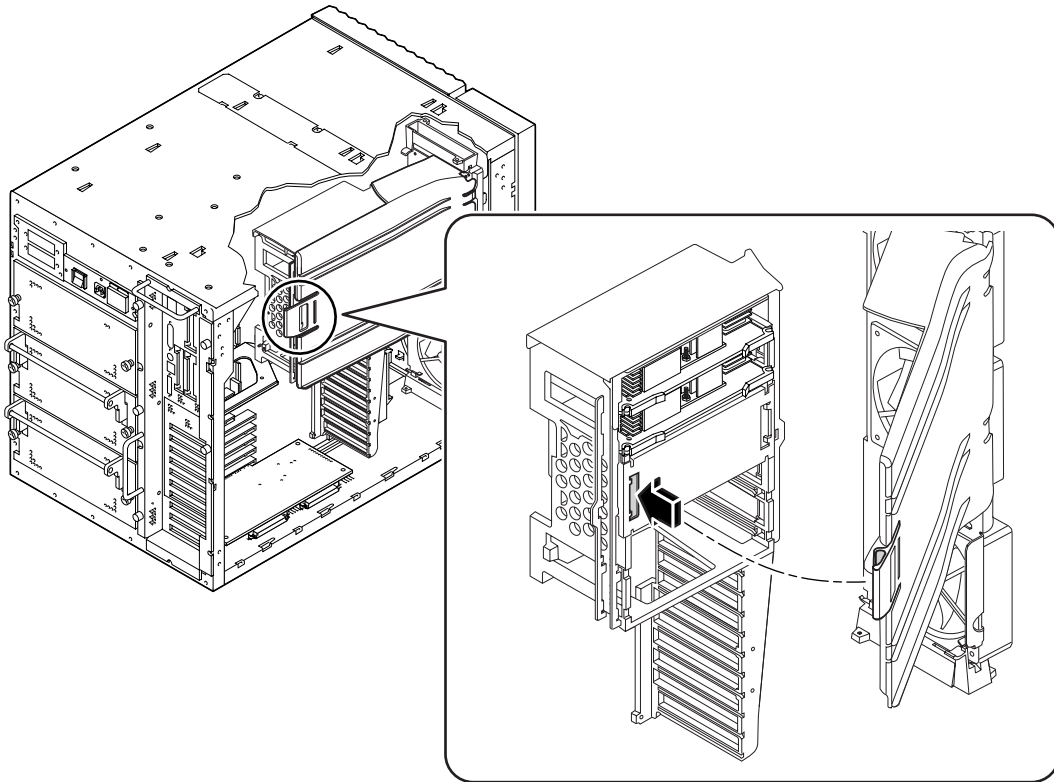
1. **Enganche las lengüetas de la guía de aire por debajo de las ranuras situadas en el conjunto de la bandeja del ventilador de la CPU.**

La guía debe sujetarse en ángulo de forma que quede el espacio suficiente para enganchar las lengüetas en las ranuras.



2. **Deslice la guía hacia la parte posterior de la estructura para fijar las lengüetas al conjunto de la bandeja del ventilador.**

3. Gire la guía contra el soporte bifurcado de la placa lógica principal y cierre el seguro.



Y después

Consulte las instrucciones de reensamblaje y reinicio del sistema en el manual *Ultra Enterprise 450 Server: Guía del propietario*.

Sun Enterprise 450 Server 480-MHz CPU-modulhandbok

Använd den här handboken tillsammans med *Ultra Enterprise 450 Server Användarhandbok* för att konfigurera och installera din nya UltraSPARC™ II-CPU-modul på 480 MHz. Informationen i denna handbok är ett *tillägg* till *Ultra Enterprise 450 Server Användarhandbok*, som medföljer Sun™ Enterprise™ 450 Server.

I den här handboken tas följande ämnen upp:

- “Kontroll av hårdvara, processorkod och mjukvarustöd” på sidan 1
- “Om UltraSPARC II-CPU-moduler” på sidan 4
- “Konfigurera CPU-moduler” på sidan 5
- “Ställa in huvudlogikkortets byglar” på sidan 6
- “Ta bort och installera CPU-moduler” på sidan 7
- “Ta bort och sätta tillbaks luftstyrning för CPU” på sidan 8

Kontroll av hårdvara, processorkod och mjukvarustöd

Om du skall installera en UltraSPARC II-CPU-modul på 480 MHz i din server använder du denna handbok tillsammans med *Ultra Enterprise 450 Server Användarhandbok*.

Om systemet redan använder 480 MHz-moduler och du skall installera ytterligare moduler i systemet går du till avsnittet “Ta bort och installera CPU-moduler” på sidan 7.

Om du har köpt en uppgradering för att ersätta din/dina UltraSPARC II-moduler på 250, 300 eller 400 MHz med nya moduler med klockfrekvensen 480 MHz måste du kontrollera att moderkortet i din nuvarande server stöder snabbare moduler och att korrekt version av Sun Enterprise 450 OpenBoot™ processorkod är installerad.

Om du uppgraderar CPU-modulens hastighet och installerar CPU:er i äldre maskiner måste du kontrollera att servern stöder de nya 480-MHz CPU-modulerna och att du har rätt version av Sun Enterprise 450 OpenBoot.

Kontrollera stöd för 480-MHz CPU-moduler

För att kontrollera om servern stöder moduler på 480 MHz kan du använda ett UNIX[®]-kommando. Du kan även få fram det via `ok`-ledtexten.

Från en konsol eller kommandofönster gör du så här:

- **Skriv in följande kommando vid UNIX-ledtexten:**

```
% /usr/sbin/prtconf -pv | grep "501-5673"
```

Om du får fram numret 501-5673 går du till avsnittet "Om UltraSPARC II-CPU-moduler" på sidan 4 i denna handbok.

Om du inte får något nummer är systemkortets artikelnummer inte 501-5673. Du kan inte installera den nya UltraSPARC II-CPU-modulen på 480 MHz på det nuvarande huvudlogikkortet. Kontakta din Sun[™]-återförsäljare för att beställa en uppgradering. Följ installationsinstruktionerna för kort och CPU-modul i *Sun Enterprise 450 Server Board Upgrade Guide*.

Om ledtexten `ok` visas gör du så här:

1. **Skriv in följande kommando:**

```
ok cd /
```

2. **Skriv in följande kommando för att få en lista med data om systemet:**

```
ok .prp
```

Titta i utmatningen under `model`. Om systemkortet inte har artikelnummer 501-5673 (eller det inte står något artikelnummer), kan du inte installera den nya 480 MHz-modulen. Kontakta din Sun-återförsäljare för att beställa en uppgradering. Följ installationsinstruktionerna för CPU-modulen i *Sun Enterprise 450 Server Board Upgrade Guide*.

Om systemkortsnumret är 501-5673 går du till nästa avsnitt "Kontrollera version av OpenBoot processorkod."

Kontrollera version av OpenBoot processorkod

För att kontrollera om servern stöder moduler på 480 MHz kan du använda ett UNIX[®]-kommando. Du kan även få fram det via ok-ledtexten.

Från en UNIX-konsol eller kommandoprompten gör du så här:

- **Skriv in följande kommando vid UNIX-ledtexten:**

```
% /usr/sbin/prtconf -v | grep OBP
```

Om ledtexten ok visas gör du så här:

- **Skriv in följande kommando:**

```
ok .version
```

Om versionsnumret som returneras är 3.18 eller högre kompatibel version stöder den inbyggda processorkoden de snabbare modulerna. Mer information finns i avsnittet “Kontrollera stöd för 480-MHz CPU-moduler” på sidan 2. Om versionsnumret som returneras är lägre än 3.18 måste du uppdatera OpenBoot[™] processorkod via en flash-uppdatering.

Gå till SunSolve Online[™] på internetadressen URL <http://sunsolve.Sun.COM> för mer information om hur du genomför en flash-uppdatering av ditt systems processorkod.

När du vill ladda ner en flash-uppdatering går du först till hemsidorna för SunSolve Online. Klicka på “Patches” och därefter på “Find Patch”. Sök efter uppgradering 106503 och följ sedan instruktionerna på skärmen.

Kontrollera systemprogramskrav

Sun Enterprise 450 kräver Solaris 2.5.1 hårdvara: 11/97, Solaris 2.6 hårdvara: 3/98, Solaris 7, Solaris 8, eller senare kompatibel version av Solaris. Du kan kontrollera att du har en kompatibel version av systemprogramvaran installerad på din Sun Enterprise 450 server genom att öppna filen `/etc/release`. Filen ska t ex innehålla texten “Solaris 2.5.1 Hardware: 11/97” eller beskrivningen av en senare kompatibel version av Solaris.

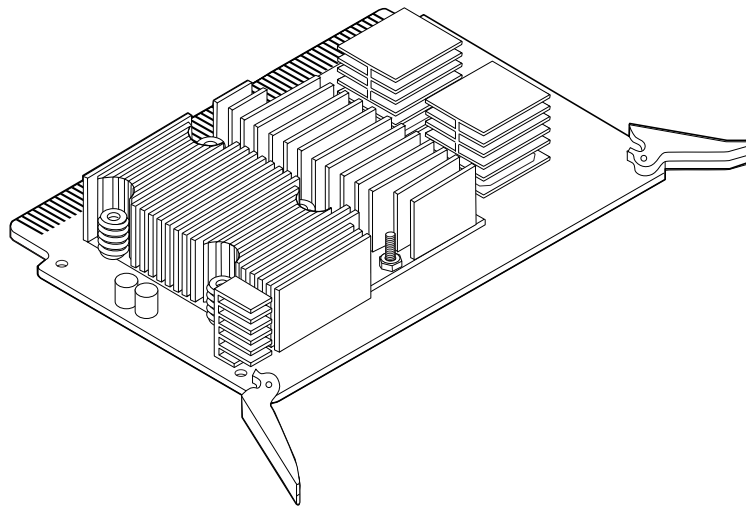
Mer information om programkompatibilitet finns i publikationen *Installera Solaris på viss maskinvara* (806-4005) som levereras med installations-CD:n för operativsystemet.

Eventuella uppdateringar som kan krävas för din version av Solaris finns på SunSolve Online med internetadressen:

<http://sunsolve.Sun.COM/>

Om UltraSPARC II-CPU-moduler

Ultra Enterprise 450 stöder upp till fyra UltraSPARC™ II-CPU-moduler på 250 MHz, upp till fyra på 300 MHz, upp till fyra på 400 MHz eller upp till fyra moduler på 480 MHz. Följande figur visar den nya "nakna" UltraSPARC II-CPU-modulen på 480 MHz som har 8 Mbyte integrerat cache-minne..



Innan du installerar en ny CPU-modul måste du kontrollera att den finns med i följande lista med UltraSPARC II-moduler för Sun Enterprise 450-serverar. I tabellen finns de olika CPU-hastigheterna angivna.

Modulhastighet (i MHz)	Artikelnummer
250-MHz UltraSPARC II	501-4857 eller 501-4278
300-MHz UltraSPARC II	501-4849 eller 501-4196
400-MHz UltraSPARC II	501-5239 eller 501-5446
480-MHz UltraSPARC II	501-5729

Konfigurera CPU-moduler

Innan du konfigurerar CPU-modulen/modulerna måste du ta reda på om systemet klarar av att ge så mycket ström som den nya konfigurationen kommer att behöva. Läs i "Arbetsblad för systemets strömförbrukning" på sidan 5 i den här handboken, och se avsnittet "Hur man avgör systemets kraftbehov" i *Ultra Enterprise 450 Server Användarhandbok*.



Varning! Alla CPU:er i ett system måste gå på samma hastighet.

Konfigurera UltraSPARC II-CPU-modulerna i servern enligt de regler som finns i avsnittet "Om CPU-moduler" i *Ultra Enterprise 450 Server Användarhandbok*.

Om systemet har två nätaggregat och du inte behöver någon redundant strömförsörjning kan du nu fortsätta med instruktionerna i nästa avsnitt "Ta bort och installera CPU-moduler."

Arbetsblad för systemets strömförbrukning

Följande information utgör ett tillägg till avsnittet "Arbetsblad för systemets kraftbehov" i *Ultra Enterprise 450 Server Användarhandbok*. Använd tabellen när du vill räkna ut strömbehovet efter installation av följande komponenter:

- 480-MHz CPU-modul med 8 Mb Ecache
- 400-MHz CPU-modul med 4 Mb Ecache
- SunCD™ 32 CD-ROM
- DVD ROM
- 18 Gb hårddisk
- 36 Gb hårddisk
- DDS4 bandstation

Rad nr .	Tillval	Ant	+3.3 volt likström amp	Total amp @ 3.3 V	+5 volt likström amp	Total amp @ 5 V	+12 volt likström amp	Total amp @ 12 V
CPU-tillval								
	480-MHz CPU med 8 Mb Ecache och DC/DC-omvandlare		7.5		6.7			
	400-MHz CPU med 4 Mb Ecache och DC/DC-omvandlare		5.0		5.6			
Tillval för interna lagringenheter								
	SunCD 32 CD-ROM				0.55		0.61	
	DVD ROM				0.42		0.51	
	18 Gb hårddisk				0.8		0.5	
	36 Gb hårddisk				0.8		0.5	
	DDS4 bandstation				0.9		0.5	

Ställa in huvudlogikkortets byglar

Följande information gäller i stället för den information som finns i avsnittet "Om bygeln för klocklägesval" i *Ultra Enterprise 450 Server Användarhandbok*. I motsats till tabellen i avsnittet använder huvudlogikkortet (501-5673) i den nya Sun Enterprise 450 server byglarna J2701 och J2702 för klocklägesval.

Ställ in bygelblocket för val av klockläge på adressen J2701 och J2702 så att de överensstämmer med hastigheten på din UltraSPARC II-CPU-modul. Kontrollera att bygeln är korrekt inställd innan du startar systemet.

Klocka	J2701	J2702
250 MHz	1 + 2	2 + 3
300 MHz	1 + 2	2 + 3
400 MHz	2 + 3	2 + 3
480 MHz	2 + 3	1 + 2

Ta bort och installera CPU-moduler

Innan du installerar eller tar bort några CPU-moduler bör du läsa avsnittet "Om CPU-moduler" i *Ultra Enterprise 450 Server Användarhandbok*.



Varning! Innan du installerar en CPU-modul bör du läsa avsnittet "Ställa in huvudlogikkortets byglar" på sidan 6 i denna handbok och kontrollera att byglarna är inställda för den hastighet som den nya processorn skall köras på. Systemet kan skadas allvarligt om huvudlogikkortets bygel för klockläge är felaktigt inställd.

Om du behöver veta hur mycket ström systemet förbrukar kan du läsa i avsnittet "Arbetsblad för systemets strömförbrukning" på sidan 5 i den här handboken och sedan avsnittet "Hur man avgör systemets kraftbehov" i *Ultra Enterprise 450 Server Användarhandbok*.

CPU-modulerna på 480 MHz kräver en luftstyrning för korrekt kylning. Luftstyrningen är installerad på huvudlogikkortet med nummer 501-5673. Du måste ta bort luftstyrningen för att komma åt CPU-modulerna och sedan sätta tillbaka dem innan du startar om systemet. Information om hur du tar bort och sätter tillbaka luftstyrningarna finns i avsnittet "Ta bort och sätta tillbaka luftstyrning för CPU" på sidan 8.

Om du vill installera eller ta bort CPU-moduler i en Ultra Enterprise 450-server måste du följa instruktionerna i avsnitten "Hur man tar bort en CPU-modul" och "Hur man installerar en CPU-modul" i *Ultra Enterprise 450 Server Användarhandbok*.

Innan du installerar en fjärde CPU-modul i den översta CPU-platsen (CPU-A1) måste du ta ur den tomma plugg som eventuellt sitter i kontakten (J0101). Ta tag i det främre handtaget på pluggen och dra ut den ur CPU-platsen.

Ta bort och sätta tillbaks luftstyrning för CPU

På huvudlogikkort med nummer 501-5673 finns en luftstyrning installerad. I följande avsnitt beskrivs hur du tar bort och sätter tillbaks luftstyrningen.



Varning! Luftstyrningen är nödvändig för korrekt kylning av systemet. Starta aldrig systemet utan att luftstyrningen är på plats.

Ta bort luftstyrningen

Du måste ta bort luftstyrningen innan du kan ta bort eller installera CPU-moduler.



Varning! Denna procedur får bara utföras av utbildad serviceleverantör. Personal som tar bort någon av de yttre panelerna måste följa alla säkerhetsföreskrifter och uppfylla gällande kunskapskrav, certifieringar och nationella samt lokala lagar och förordningar.

Innan du börjar

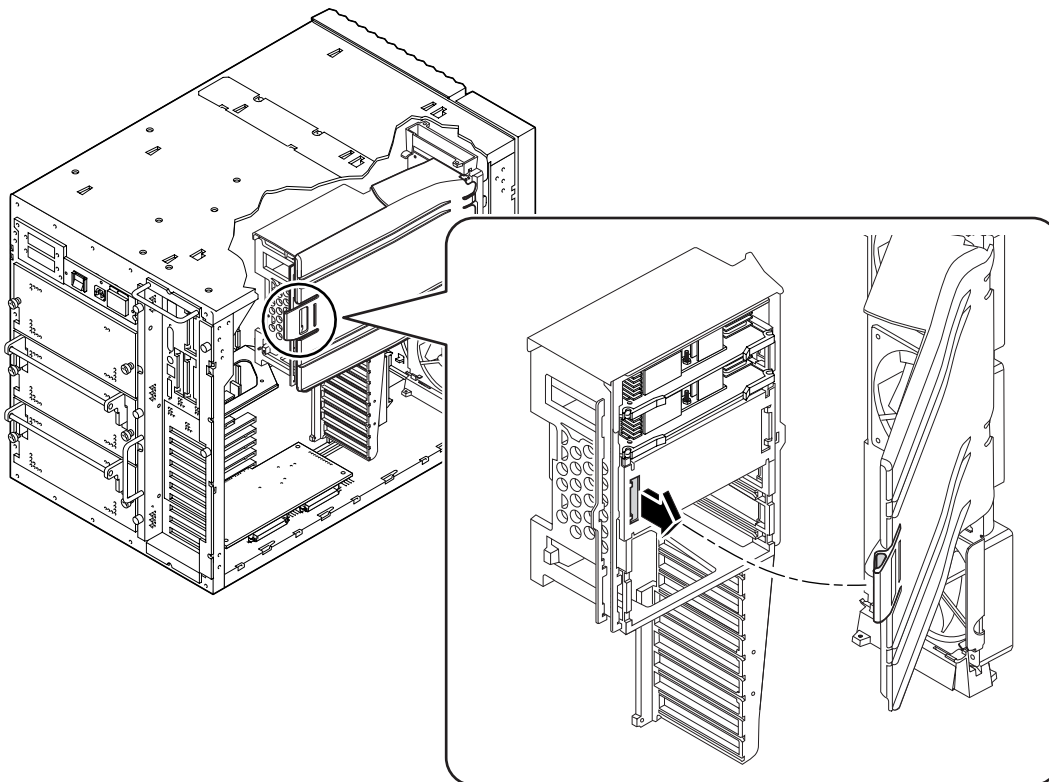
Genomför följande moment enligt beskrivningarna i *Ultra Enterprise 450 Server Användarhandbok*:

- “Hur man stänger av systemet”
- “Hur man tar bort panelen på vänster sida”
- “Hur man undviker elektrostatisk urladdning”

Att göra

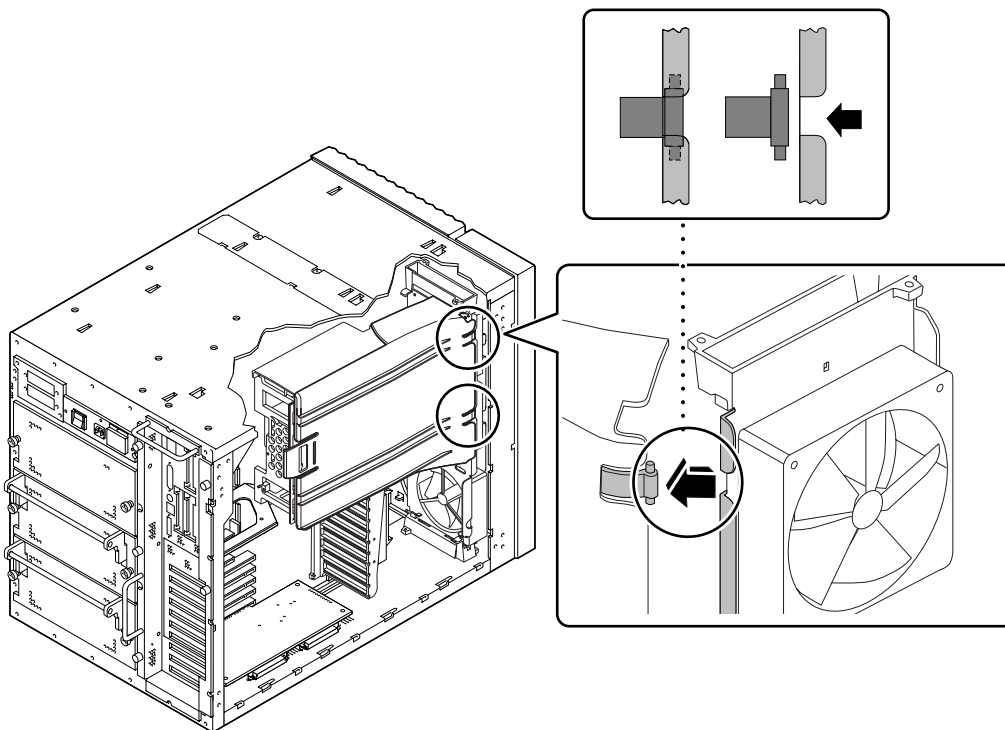
Följ nedanstående instruktioner när du vill ta bort luftstyrningen:

- 1. Dra försiktigt läset på vänster sida emot dig och sväng ut luftstyrningen.**
Läset för luftstyrningen ska lossa från fästet på huvudloggkortets Y-fäste.



2. Haka av luftstyrningens pinnar från fläktens montage.

Dra luftstyrningen framåt mot fronten på chassit för att lossa den från fläktbrickans montage.



Nästa steg

I *Ultra Enterprise 450 Användarhandbok* hittar du mer instruktioner om hur du tar bort och installerar CPU-moduler.

När du vill sätta tillbaka luftstyrningen hittar du mer information på:

- "Sätta tillbaka luftstyrning för CPU" på sidan 10

Sätta tillbaka luftstyrning för CPU



Varning! Luftstyrningen är nödvändig för korrekt kylning av systemet. Starta aldrig systemet utan att luftstyrningen är på plats.



Varning! Denna procedur får bara utföras av utbildad serviceleverantör. Personal som tar bort någon av de yttre panelerna måste följa alla säkerhetsföreskrifter och uppfylla gällande kunskapskrav, certifieringar och nationella samt lokala lagar och förordningar.

Innan du börjar

Genomför följade moment enligt beskrivningarna i *Ultra Enterprise 450 Server Användarhandbok*:

- “Hur man stänger av systemet”
- “Hur man tar bort panelen på vänster sida”
- “Hur man undviker elektrostatisk urladdning”

Följ dessutom instruktionerna i avsnittet:

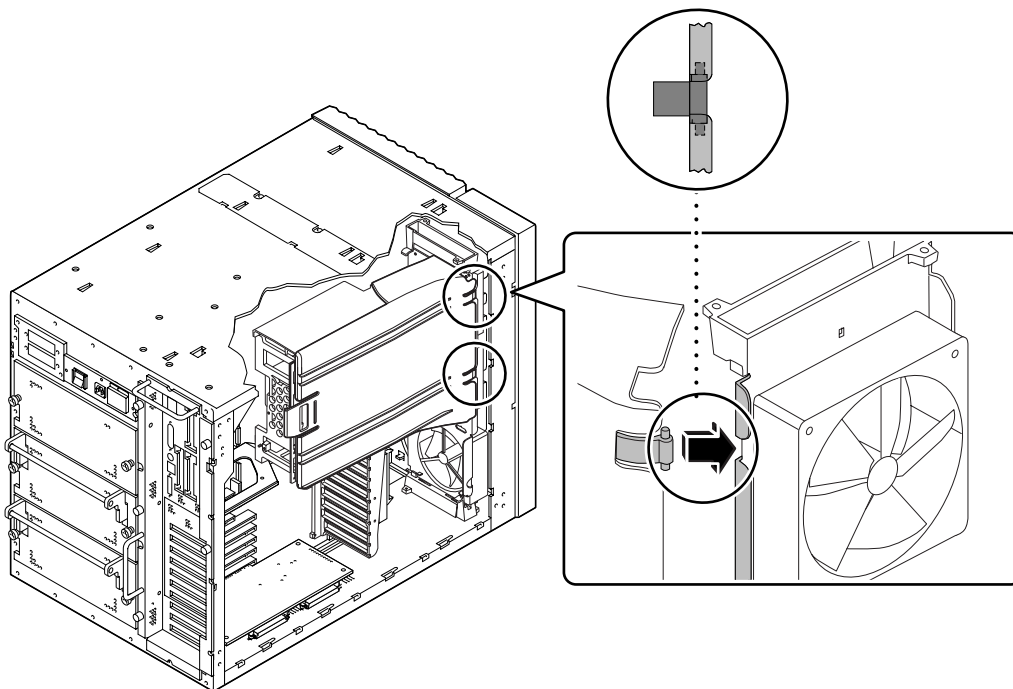
- “Ta bort luftstyrningen” på sidan 8 i denna handbok

Att göra

Följ instruktionerna nedan när du vill sätta tillbaka luftstyrningen:

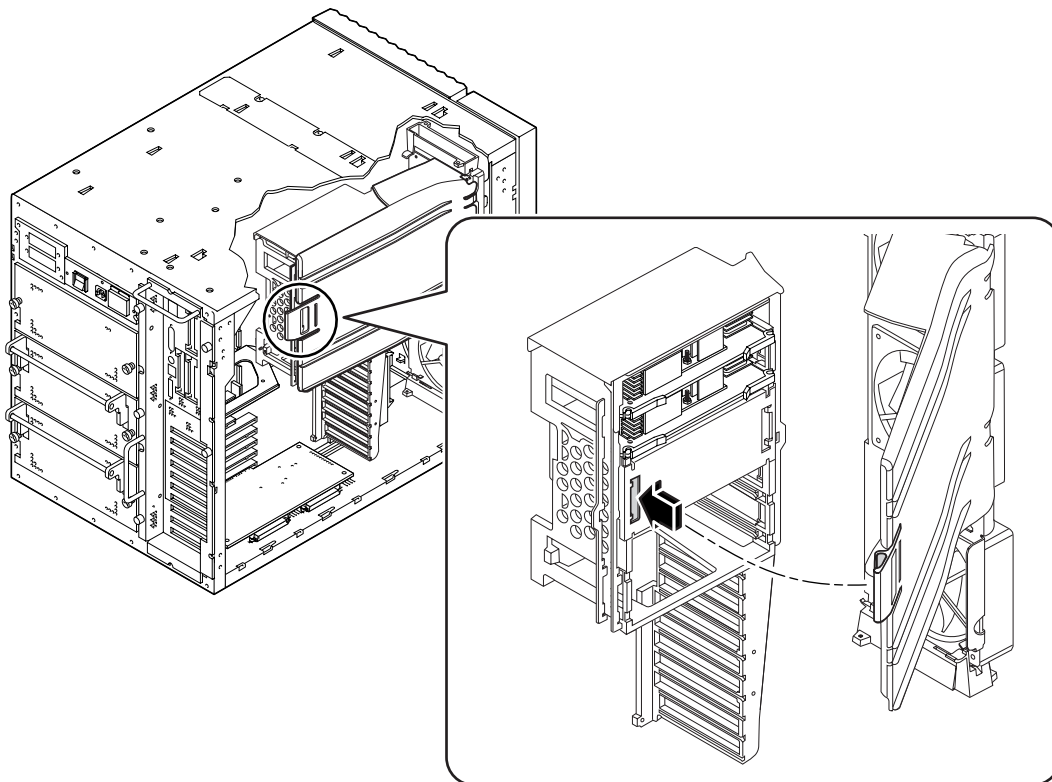
1. Haka fast styrpinnarna i spåren på fläktbrickans montage.

Luftstyrningen måste hållas i vinkel för att nog mycket utrymme ska finnas för att haka fast pinnarna i spåren i fläktbrickans montage.



2. Skjut luftstyrningen mot bakänden av chassit så att luftstyrningens pinnar läses i rätt läge på fläktbrickan.

3. Vrid styrningen moy Y-fästet på huvudlogikkortet och snäpp fast lösningen.



Nästa steg

I *Ultra Enterprise 450 Användarhandbok* hittar du mer instruktioner om hur du startar om systemet.

Copyright 2000 Sun Microsystems, Inc., 901 San Antonio Road • Palo Alto, CA 94303-4900 Etats-Unis. Tous droits réservés.

Ce produit ou document est protégé par un copyright et distribué avec des licences qui en restreignent l'utilisation, la copie, la distribution, et la décompilation. Aucune partie de ce produit ou document ne peut être reproduite sous aucune forme, par quelque moyen que ce soit, sans l'autorisation préalable et écrite de Sun et de ses bailleurs de licence, s'il y en a. Le logiciel détenu par des tiers, et qui comprend la technologie relative aux polices de caractères, est protégé par un copyright et licencié par des fournisseurs de Sun.

Des parties de ce produit pourront être dérivées des systèmes Berkeley BSD licenciés par l'Université de Californie. UNIX est une marque déposée aux Etats-Unis et dans d'autres pays et licenciée exclusivement par X/Open Company, Ltd. La notice suivante est applicable à Netscape Communicator™: Copyright 1995 Netscape Communications Corporation. Tous droits réservés.

Sun, Sun Microsystems, the Sun logo, AnswerBook2, docs.sun.com, Sun Enterprise, SunCD, et Solaris sont des marques de fabrique ou des marques déposées, ou marques de service, de Sun Microsystems, Inc. aux Etats-Unis et dans d'autres pays. Toutes les marques SPARC sont utilisées sous licence et sont des marques de fabrique ou des marques déposées de SPARC International, Inc. aux Etats-Unis et dans d'autres pays. Les produits portant les marques SPARC sont basés sur une architecture développée par Sun Microsystems, Inc.

L'interface d'utilisation graphique OPEN LOOK et Sun™ a été développée par Sun Microsystems, Inc. pour ses utilisateurs et licenciés. Sun reconnaît les efforts de pionniers de Xerox pour la recherche et le développement du concept des interfaces d'utilisation visuelle ou graphique pour l'industrie de l'informatique. Sun détient une licence non exclusive de Xerox sur l'interface d'utilisation graphique Xerox, cette licence couvrant également les licenciés de Sun qui mettent en place l'interface d'utilisation graphique OPEN LOOK et qui en outre se conforment aux licences écrites de Sun.

CETTE PUBLICATION EST FOURNIE "EN L'ETAT" ET AUCUNE GARANTIE, EXPRESSE OU IMPLICITE, N'EST ACCORDEE, Y COMPRIS DES GARANTIES CONCERNANT LA VALEUR MARCHANDE, L'APTITUDE DE LA PUBLICATION A REpondre A UNE UTILISATION PARTICULIERE, OU LE FAIT QU'ELLE NE SOIT PAS CONTREFAISANTE DE PRODUIT DE TIERS. CE DENI DE GARANTIE NE S'APPLIQUERAIT PAS, DANS LA MESURE OU IL SERAIT TENU JURIDIQUEMENT NUL ET NON AVENU.



Copyright 2000 Sun Microsystems, Inc., 901 San Antonio Road • Palo Alto, CA 94303-4900, USA. Alle Rechte vorbehalten.

Dieses Produkt oder Dokument ist urheberrechtlich geschützt und wird in Lizenz vertrieben. Dadurch sind seine Verwendung, Vervielfältigung, Weitergabe und Dekompilierung eingeschränkt. Ohne vorherige schriftliche Genehmigung der Sun Microsystems, Inc., oder gegebenenfalls ihrer Lizenzgeber darf kein Teil dieses Produkts oder Dokuments auf irgendeine Weise - grafisch, elektronisch oder mechanisch - vervielfältigt werden. Software von anderen Herstellern einschließlich aller Schriften ist urheberrechtlich geschützt und von Sun-Lieferanten lizenziert.

Teile dieses Produkts können auf Berkeley BSD-Systemen basieren, die von der University of California lizenziert sind. UNIX ist ein in den USA und anderen Ländern eingetragenes Warenzeichen, das ausschließlich über die X/Open Company, Ltd., lizenziert wird. Für den Netscape Communicator™ gilt: Copyright 1995 Netscape Communications Corporation. Alle Rechte vorbehalten.

Sun, Sun Microsystems, das Sun-Logo, AnswerBook2, docs.sun.com, Sun Enterprise, SunCD und Solaris sind Warenzeichen oder eingetragene Warenzeichen von Sun Microsystems, Inc., in den USA und in anderen Ländern. Alle SPARC-Warenzeichen werden unter Lizenz verwendet und sind Warenzeichen oder eingetragene Warenzeichen von SPARC International, Inc., in den USA und in anderen Ländern. Produkte mit SPARC-Warenzeichen basieren auf einer von Sun Microsystems, Inc., entwickelten Architektur.

Die grafischen Benutzerschnittstellen OPEN LOOK und Sun™ wurden von Sun Microsystems, Inc., für seine Benutzer und Lizenznehmer entwickelt. Sun anerkennt dabei die von der Xerox Corporation geleistete Forschungs- und Entwicklungsarbeit auf dem Gebiet der visuellen oder grafischen Benutzeroberflächen für die Computerindustrie. Sun ist Inhaber einer nicht ausschließlichen Lizenz von Xerox für die grafische Benutzeroberfläche von Xerox. Diese Lizenz gilt auch für Suns Lizenznehmer, die mit den OPEN LOOK-Spezifikationen übereinstimmende Benutzerschnittstellen implementieren und sich an die schriftlichen Lizenzvereinbarungen mit Sun halten.

DIE DOKUMENTATION WIRD IN DER VORLIEGENDEN FORM GELIEFERT, UND ALLE AUSDRÜCKLICHEN ODER IMPLIZITEN REGELUNGEN, ZUSAGEN UND GEWÄHRLEISTUNGEN, EINSCHLIESSLICH JEGLICHER IMPLIZITEN GEWÄHRLEISTUNG HINSICHTLICH HANDELSÜBLICHER QUALITÄT, DER EIGNUNG FÜR EINEN BESTIMMTEN ZWECK UND DER WAHRUNG DER RECHTE DRITTER, WERDEN AUSGESCHLOSSEN, SOWEIT EIN SOLCHER HAFTUNGSAUSSCHLUSS GESETZLICH ZULÄSSIG IST



Copyright 2000 Sun Microsystems, Inc., 901 San Antonio Road • Palo Alto, CA 94303 USA. Tutti i diritti riservati.

Questo prodotto o documento è protetto da copyright e distribuito sotto licenze che ne limitano l'uso, la copia, la distribuzione e la decompilazione. Nessuna parte di questo prodotto o documento può essere riprodotta, in qualunque forma o con qualunque mezzo, senza la previa autorizzazione scritta di Sun e dei suoi eventuali concessionari di licenza. I prodotti software di terze parti, incluse le tecnologie dei font, sono protetti da copyright e distribuiti su licenza dai fornitori di font Sun.

Alcune parti di questo prodotto possono derivare dai sistemi Berkeley BSD, concessi in licenza dalla University of California. UNIX è un marchio registrato negli Stati Uniti e in altri paesi, distribuito su licenza esclusivamente da X/Open Company, Ltd. Per Netscape Communicator™, è applicabile quanto segue: Copyright 1995 Netscape Communications Corporation. Tutti i diritti riservati.

Sun, Sun Microsystems, il logo Sun, AnswerBook2, docs.sun.com, Sun Enterprise, SunCD e Solaris sono marchi, marchi registrati o marchi di servizi di Sun Microsystems, Inc. negli Stati Uniti e in altri paesi. Tutti i marchi SPARC sono utilizzati su licenza e sono marchi o marchi registrati di SPARC International, Inc. negli Stati Uniti e in altri paesi. I prodotti con marchio SPARC sono basati su un'architettura sviluppata da Sun Microsystems, Inc.

Le interfacce utente grafiche OPEN LOOK e Sun™ sono state sviluppate da Sun Microsystems, Inc. per i suoi utenti e licenziatari. Sun riconosce il lavoro innovativo di Xerox nella ricerca e nello sviluppo del concetto di interfaccia utente grafica o visuale per l'industria informatica. Sun detiene una licenza non esclusiva di Xerox per la Xerox Graphical User Interface; tale licenza copre anche i licenziatari di Sun che implementano le GUI OPEN LOOK e che aderiscono ai contratti di licenza stipulati con Sun.

QUESTA DOCUMENTAZIONE VIENE FORNITA SENZA ALCUNA GARANZIA ESPLICITA O IMPLICITA, INCLUSE LE EVENTUALI GARANZIE IMPLICITE DI COMMERCIALIZZABILITÀ, IDONEITÀ A UN DETERMINATO SCOPO O NON VIOLAZIONE, ESCLUSE LE EVENTUALI GARANZIE PREVISTE DALLE LEGGI IN VIGORE.



Carta
riciclabile



Adobe PostScript

Copyright 2000 Sun Microsystems, Inc., 901 San Antonio Road • Palo Alto, CA 94303-4900 USA. Todos los derechos reservados.

Este documento o producto está protegido por copyright y distribuido bajo licencias que restringen su uso, copia, distribución y descompilación. Ninguna parte de este producto o documento puede ser reproducida en ninguna forma ni por cualquier medio sin la autorización previa por escrito de Sun y sus concesionarios, si los hubiera. El software de terceros, incluyendo la tecnología de fuentes, tiene copyright y está concedido bajo licencia por proveedores de Sun.

Partes de este producto pueden derivarse de los sistemas Berkeley BSD, bajo licencia de la Universidad de California. UNIX es una marca registrada en los EE.UU. y otros países, bajo licencia exclusiva de X/Open Company, Ltd. En el caso de Netscape Communicator™, se aplica la siguiente mención: Copyright 1995 Netscape Communications Corporation. Todos los derechos reservados.

Sun, Sun Microsystems, el logotipo de Sun, AnswerBook2, docs.sun.com, Sun Enterprise, SunCD y Solaris son marcas comerciales, marcas comerciales registradas o marcas de servicio de Sun Microsystems, Inc. en los EE.UU. y otros países. Todas las marcas comerciales SPARC se utilizan bajo licencia y son marcas comerciales o marcas comerciales registradas de SPARC International, Inc. en los EE.UU. y otros países. Los productos con marcas comerciales SPARC están basados en una arquitectura desarrollada por Sun Microsystems, Inc.

OPEN LOOK y la Interfaz Gráfica de Usuario (Graphical User Interface) de Sun™ fueron desarrollados por Sun Microsystems, Inc. para sus usuarios y licenciatarios. Sun reconoce los esfuerzos pioneros de Xerox en la investigación y el desarrollo del concepto de interfaces gráficas o visuales de usuario para el sector informático. Sun mantiene una licencia no exclusiva de Xerox para Xerox Graphical User Interface, que también cubre a los concesionarios de Sun que implementen la GUI de OPEN LOOK y que por otra parte cumplan con los acuerdos de licencia por escrito de Sun.

ESTA DOCUMENTACIÓN SE PROPORCIONA “TAL CUAL” y TODA OBLIGACIÓN, CLÁUSULA Y GARANTÍA, YA SEA IMPLÍCITA O EXPLÍCITA, INCLUIDAS LAS GARANTÍAS IMPLÍCITAS DE COMERCIALIZACIÓN, IDONEIDAD PARA UN PROPÓSITO EN PARTICULAR O NO INFRACCIÓN, SERÁ RECHAZADA EN LA MEDIDA EN QUE SE CONSIDERE LEGALMENTE ACEPTABLE.



Para
reciclar



Adobe PostScript

Copyright 2000 Sun Microsystems, Inc., 901 San Antonio Road, Palo Alto, Kalifornien 94303-4900 U.S.A.

Denna produkt eller detta dokument skyddas av upphovsrättslagen och levereras med en licens som begränsar användarens rättigheter att använda, kopiera, distribuera och dekompileera produkten. Denna produkt eller detta dokument får inte utan skriftlig tillåtelse från Sun eller Suns licensgivare kopieras på något sätt. Tredjepartsprogramvara, inklusive teckensnittsteknologi är också skyddad och licensierad från Suns leverantörer.

Delar av denna produkt härrör från Berkeleys BSD-system, för vilket Sun har licenser från University of California. UNIX är ett registrerat varumärke i USA och andra länder och licensieras endast av X/Open Company Ltd. För Netscape Communicator gäller följande: Copyright 1995 Netscape Communications Corporation. Med ensamrätt.

Sun, Sun Microsystems, Sun-logotypen, AnswerBook2, docs.sun.com, Sun Enterprise, SunCD, och Solaris är varumärken eller registrerade varumärken för Sun Microsystems, Inc. i USA och andra länder. Alla SPARC-varumärken är licensierade och är varumärken eller registrerade varumärken för SPARC International, Inc. i USA och andra länder. Produkter som bär SPARC-varumärkena är baserade på en arkitektur som Sun Microsystems, Inc. har utvecklat.

OPEN LOOK® och Suns grafiska användargränssnitt har utvecklats av Sun Microsystems, Inc. för användare och licenstagare. Sun erkänner Xerox banbrytande insatser inom forskningen om och utvecklingen av begreppet visuellt eller grafiskt användargränssnitt för datorindustrin. Sun har en icke-exklusiv licens från Xerox avseende Xerox grafiska användargränssnitt, som också omfattar Suns licenstagare som utvecklar grafiska användargränssnitt enligt OPEN LOOK och i övrigt uppfyller Suns skriftliga licensavtal.

DENNA DOKUMENTATION LEVERERAS I BEFINTLIGT SKICK UTAN NÅGRA SOM HELST GARANTIER, VARE SIG UTTRYCKLIGA ELLER UNDERFÖRSTÅDDA, TILL EXEMPEL UNDERFÖRSTÅDDA GARANTIER OM ATT DEN SKULLE VARA I SÄLJBART SKICK, ATT DEN ÄR LÄMPLIG FÖR ETT VISST ÄNDAMÅL ELLER ATT DEN INTE INKRÄKTAR PÅ ANDRA FÖRETAGS RÄTTIGHETER.



För
återvinning



Adobe PostScript