



Sun Enterprise™ 450 Server Upgrade Guide

Sun Microsystems, Inc.
901 San Antonio Road
Palo Alto, CA 94303
U.S.A. 650-960-1300

Part No. 806-4993-10
August 2000, [Revision A](#)

[Send comments about this document to: docfeedback@sun.com](mailto:docfeedback@sun.com)

Copyright 2000 Sun Microsystems, Inc., 901 San Antonio Road • Palo Alto, CA 94303-4900 USA. All rights reserved.

This product or document is protected by copyright and distributed under licenses restricting its use, copying, distribution, and decompilation. No part of this product or document may be reproduced in any form by any means without prior written authorization of Sun and its licensors, if any. Third-party software, including font technology, is copyrighted and licensed from Sun suppliers.

Parts of the product may be derived from Berkeley BSD systems, licensed from the University of California. UNIX is a registered trademark in the U.S. and other countries, exclusively licensed through X/Open Company, Ltd. For Netscape Communicator™, the following notice applies: Copyright 1995 Netscape Communications Corporation. All rights reserved.

Sun, Sun Microsystems, the Sun logo, AnswerBook2, docs.sun.com, ShowMe How, Solstice AdminSuite, Solstice Backup, Solstice DiskSuite, SunSwift, SunVTS, Sun Enterprise, and Solaris are trademarks, registered trademarks, or service marks of Sun Microsystems, Inc. in the U.S. and other countries. All SPARC trademarks are used under license and are trademarks or registered trademarks of SPARC International, Inc. in the U.S. and other countries. Products bearing SPARC trademarks are based upon an architecture developed by Sun Microsystems, Inc.

The OPEN LOOK and Sun™ Graphical User Interface was developed by Sun Microsystems, Inc. for its users and licensees. Sun acknowledges the pioneering efforts of Xerox in researching and developing the concept of visual or graphical user interfaces for the computer industry. Sun holds a non-exclusive license from Xerox to the Xerox Graphical User Interface, which license also covers Sun's licensees who implement OPEN LOOK GUIs and otherwise comply with Sun's written license agreements.

RESTRICTED RIGHTS: Use, duplication, or disclosure by the U.S. Government is subject to restrictions of FAR 52.227-14(g)(2)(6/87) and FAR 52.227-19(6/87), or DFAR 252.227-7015(b)(6/95) and DFAR 227.7202-3(a).

DOCUMENTATION IS PROVIDED "AS IS" AND ALL EXPRESS OR IMPLIED CONDITIONS, REPRESENTATIONS AND WARRANTIES, INCLUDING ANY IMPLIED WARRANTY OF MERCHANTABILITY, FITNESS FOR A PARTICULAR PURPOSE OR NON-INFRINGEMENT, ARE DISCLAIMED, EXCEPT TO THE EXTENT THAT SUCH DISCLAIMERS ARE HELD TO BE LEGALLY INVALID.

Copyright 2000 Sun Microsystems, Inc., 901 San Antonio Road • Palo Alto, CA 94303-4900 Etats-Unis. Tous droits réservés.

Ce produit ou document est protégé par un copyright et distribué avec des licences qui en restreignent l'utilisation, la copie, la distribution, et la décompilation. Aucune partie de ce produit ou document ne peut être reproduite sous aucune forme, par quelque moyen que ce soit, sans l'autorisation préalable et écrite de Sun et de ses bailleurs de licence, s'il y en a. Le logiciel détenu par des tiers, et qui comprend la technologie relative aux polices de caractères, est protégé par un copyright et licencié par des fournisseurs de Sun.

Des parties de ce produit pourront être dérivées des systèmes Berkeley BSD licenciés par l'Université de Californie. UNIX est une marque déposée aux Etats-Unis et dans d'autres pays et licenciée exclusivement par X/Open Company, Ltd. La notice suivante est applicable à Netscape Communicator™: Copyright 1995 Netscape Communications Corporation. Tous droits réservés.

Sun, Sun Microsystems, the Sun logo, AnswerBook2, docs.sun.com, ShowMe How, Solstice AdminSuite, Solstice Backup, Solstice DiskSuite, SunSwift, SunVTS, Sun Enterprise, et Solaris sont des marques de fabrique ou des marques déposées, ou marques de service, de Sun Microsystems, Inc. aux Etats-Unis et dans d'autres pays. Toutes les marques SPARC sont utilisées sous licence et sont des marques de fabrique ou des marques déposées de SPARC International, Inc. aux Etats-Unis et dans d'autres pays. Les produits portant les marques SPARC sont basés sur une architecture développée par Sun Microsystems, Inc.

L'interface d'utilisation graphique OPEN LOOK et Sun™ a été développée par Sun Microsystems, Inc. pour ses utilisateurs et licenciés. Sun reconnaît les efforts de pionniers de Xerox pour la recherche et le développement du concept des interfaces d'utilisation visuelle ou graphique pour l'industrie de l'informatique. Sun détient une licence non exclusive de Xerox sur l'interface d'utilisation graphique Xerox, cette licence couvrant également les licenciés de Sun qui mettent en place l'interface d'utilisation graphique OPEN LOOK et qui en outre se conforment aux licences écrites de Sun.

CETTE PUBLICATION EST FOURNIE "EN L'ETAT" ET AUCUNE GARANTIE, EXPRESSE OU IMPLICITE, N'EST ACCORDEE, Y COMPRIS DES GARANTIES CONCERNANT LA VALEUR MARCHANDE, L'APTITUDE DE LA PUBLICATION A REpondre A UNE UTILISATION PARTICULIERE, OU LE FAIT QU'ELLE NE SOIT PAS CONTREFAISANTE DE PRODUIT DE TIERS. CE DENI DE GARANTIE NE S'APPLIQUERAIT PAS, DANS LA MESURE OU IL SERAIT TENU JURIDIQUEMENT NUL ET NON AVENU.



Preface

The *Sun Enterprise 450 Server Upgrade Guide*, used with the *Ultra Enterprise 450 Server Owner's Guide* and the *Sun Enterprise 450 Server Product Notes*, gives you the information you need to upgrade your Sun™ server to a Sun Enterprise™ 450 server. These three documents accompany this upgrade package.

Features and options, installation, troubleshooting, parts replacement, network administration information, and other topics about the Sun Enterprise 450 server are all covered in the *Ultra Enterprise 450 Server Owner's Guide*. To install the parts you will be transferring from other systems into your new Sun Enterprise 450 server, refer to the *Ultra Enterprise 450 Server Owner's Guide*, or to your third-party documentation. To install any options that you purchased with this upgrade, use the accompanying documentation.

In addition, you can view many of the component installation and replacement procedures in the multimedia CD-ROM application ShowMe How™, which also accompanies this upgrade.

Using UNIX Commands

This document may not contain information on basic UNIX® commands and procedures such as shutting down the system, booting the system, and configuring devices.

See one or more of the following for such information:

- *Solaris 2.x Handbook for SMCC Peripherals*
- AnswerBook2™ online documentation for the Solaris™ software environment
- Other software documentation that you received with your system

Typographic Conventions

TABLE P-1 Typographic Conventions

Typeface	Meaning	Examples
AaBbCc123	The names of commands, files, and directories; on-screen computer output	Edit your <code>.login</code> file. Use <code>ls -a</code> to list all files. % You have mail.
AaBbCc123	What you type, when contrasted with on-screen computer output	% su Password:
<i>AaBbCc123</i>	Book titles, new words or terms, words to be emphasized	Read Chapter 6 in the <i>User's Guide</i> . These are called <i>class</i> options. You <i>must</i> be superuser to do this.
	Command-line variable; replace with a real name or value	To delete a file, type <code>rm filename</code> .

Shell Prompts

TABLE P-2 Shell Prompts

Shell	Prompt
C shell	<i>machine_name%</i>
C shell superuser	<i>machine_name#</i>
Bourne shell and Korn shell	\$
Bourne shell and Korn shell superuser	#

Related Documentation

TABLE P-3 Related Documentation

Application	Title
Performing diagnostic tests	<i>SunVTS User's Guide</i>
	<i>SunVTS Quick Reference Card</i>
	<i>SunVTS Test Reference Manual</i>
	<i>Solstice SyMON User's Guide</i>
System and network administration	<i>Solaris System Administrator AnswerBook</i>
	<i>SPARC: Installing Solaris Software</i>
Using operating system software	<i>Solaris User's Guide</i>
Miscellaneous	<i>Solaris on Sun Hardware AnswerBook</i>
	<i>Solaris Handbook for Sun Peripherals</i>

Sun Documentation on the Web

The `docs.sun.comsm` web site enables you to access Sun technical documentation on the Web. You can browse the `docs.sun.com` archive or search for a specific book title or subject at:

`http://docs.sun.com`

Sun Welcomes Your Comments

We are interested in improving our documentation and welcome your comments and suggestions. You can email your comments to us at:

`docfeedback@sun.com`

Please include the part number of your document in the subject line of your email.

Sun Enterprise 450 Server Upgrade Guide

This document contains information for upgrading from any Sun Ultra Enterprise 1 server, Sun Ultra Enterprise 2 server, or SPARCstation™ server to a Sun Enterprise 450 server. For important safety and electromagnetic compatibility information, read the *Ultra Enterprise 450 Server Owner's Guide* and the *Sun Enterprise 450 Server Product Notes* that come with this upgrade.

Overview

The following sections of this document cover the main steps involved in the upgrade procedure:

- Upgrade contents
- Cautions
- Unpacking the shipping cartons
- Backing up data disk drives
- Halting your system
- Removing SBus cards and extra memory
- Installing your upgrade
- Installing new disk drive brackets
- Transferring disk drives into the Sun Enterprise 450 server
- Powering up your upgraded system
- Return material procedure

Be sure to read each section in its entirety, and any necessary information in the *Ultra Enterprise 450 Server Owner's Guide* and the *Sun Enterprise 450 Server Product Notes* before attempting to perform the upgrade. You should also have on hand the documentation that came with your original system. You will need to refer to it to perform some of the procedures on the original system.

Upgrade Contents

Your upgrade includes the Sun Enterprise 450 server chassis. The upgrade may also include one or more of the following hardware components:

- Memory modules (32-megabyte or larger capacity SIMMs)
- CPU module with DC-to-DC converter
- New disk drive bracket(s)

If any item in the list above is not included in either the upgrade or your new system, you are expected to transfer the item(s) from your old system to your new system.

For instructions about configuring your new system, or for instructions about installing new parts or the parts you are transferring from your old system into your new system, consult the *Ultra Enterprise 450 Server Owner's Guide*, the *Ultra Enterprise 450 Server Hardware Setup Instructions*, or view the ShowMe How™ CD-ROM multimedia documentation supplied with your new system.

When you upgrade to a Sun Enterprise 450 server, you must return your old system unit to Sun Microsystems. See "Return Material Procedure" on page 9 for additional details.

Note – Since you are upgrading to a new CPU architecture, your system's Ethernet address and host identification (hostid) will change, and applications that are licensed to your system may change as well. Be sure to inform your system administrator of this fact before you begin the upgrade. He or she will need to update certain network configuration files before your system can rejoin the network.

Cautions



Caution – This equipment contains lethal voltage. Accidental contact can result in serious injury or death.



Caution – Improper handling by unqualified personnel can cause serious damage to this equipment. Unqualified personnel who tamper with this equipment may be held liable for any resultant damage to the equipment.



Caution – Use proper electrostatic discharge (ESD) grounding techniques when handling components. Wear an antistatic wrist strap and use an ESD-protected mat. Store ESD-sensitive components in antistatic bags before placing them on any surface.

Individuals servicing this equipment must observe all safety precautions and ensure compliance with skill-level requirements, certification, and all applicable local and national laws.

Some procedures in this document must be performed by trained maintenance providers. Only people who have been trained at the Sun Microsystems training facilities (or at Sun Microsystems affiliates) and have been certified as required by local and national laws are considered qualified.

Unpacking the Shipping Cartons

Illustrations depicting how to unpack your new Sun Enterprise 450 server are printed on the shipping cartons—these pictures are self-explanatory. However, there are a few additional steps you should take.

1. Inspect the shipping cartons before opening them.

If there is evidence of damage to a carton, contact your sales representative and arrange for an agent of the carrier to be present when you remove the equipment.

2. Remove and save the *Customer Information Sheet*.

This sheet is in the plastic envelope on the side of the system unit carton. Retain this sheet for your records. If you are connecting your system to a network, your system administrator will need this sheet during the installation procedure.

3. Save the cartons and the packing material.

You will need them if you ever want to ship your system anywhere. In addition, you may need them to return your old system unit if its original shipping materials are missing.

Backing Up Data Disk Drives

Sun Enterprise 450 servers support 1-inch high and 3.5-inch wide UltraSCSI disk drives. If you are transferring data disk drives to the new system, back up the data on the drives before halting the system.

Note – You cannot transfer a *boot* disk from your old system and use it as a *boot* disk in your Sun Enterprise 450 server. You must reformat the drive and install the new version of the operating system software.

1. Back up each data disk drive onto media that will be accessible to your new server.

Use a level 0 dump backup.

2. Record each disk's device name.

Use the `df` command to read the disk device name before removing any disk drive from your old system.

Halting Your System



Caution – You must halt the system in an orderly manner. When the operating system or any other standalone program is up and running, do not press Stop(L1)-a to halt the system. Abruptly aborting program execution may cause damage to data files.

Halt your system using the following procedure:

1. Save all your work.

Consult your software documentation for instructions on ending a work session and saving your files. If you do not save your work, you could lose it when you switch off the power.

2. Perform a complete system dump before starting the upgrade process.

See your operating system documentation if you need instructions on how to do this.

3. Return to the operating system environment.

If you are in a windowing environment, exit from it and wait for the system prompt to appear. See the documentation supplied with your windowing system.

4. Halt the operating system.

See the documentation supplied with your operating system for instructions on how to halt it.

● **For Solaris 2.5.1 Hardware: 11/97, Solaris 2.6, Solaris 7, or later compatible systems, type:**

```
% su
Password: superuser password
# /usr/sbin/shutdown -y -g60 -i0
```

● **For Solaris 2.5.1 Hardware: 4/97 compatible systems, type:**

```
% su
Password: superuser password
# /usr/etc/shutdown -h +1
```

The operating system warns other users of your system of the impending shutdown, and then halts itself after a one-minute delay. If you wish to provide a longer delay, see the man page for `shutdown(1)`.

The system responds with system halt messages, followed by either the `>` prompt or the `ok` prompt. When either prompt appears, you can safely turn off the power in the proper sequence.

5. Turn off the power in sequence to:

- a. External drive units (if any)
- b. Sun system unit
- c. Monitor (if applicable)

Removing SBus Cards and Extra Memory

If your system unit contains SBus cards, memory, or other modules, you should remove them before returning the system unit to Sun Microsystems.

You may transfer memory modules that were factory-installed inside your old system unit, as well as any memory module that you purchased as a separate option.

Consult the installation guide that came with your system for detailed instructions about removing SBus cards and extra memory.

Installing Your Upgrade System

Your upgrade includes the Sun Enterprise 450 server chassis. The upgrade may also include one or more of the following hardware components:

- Memory modules (32-megabyte or larger capacity SIMMs)
- CPU module with DC-to-DC converter
- New disk drive bracket(s)

To install memory modules and CPU modules in your Sun Enterprise 450 server, see the installation sections in the *Ultra Enterprise 450 Server Owner's Guide*.

Installing New Disk Drive Brackets

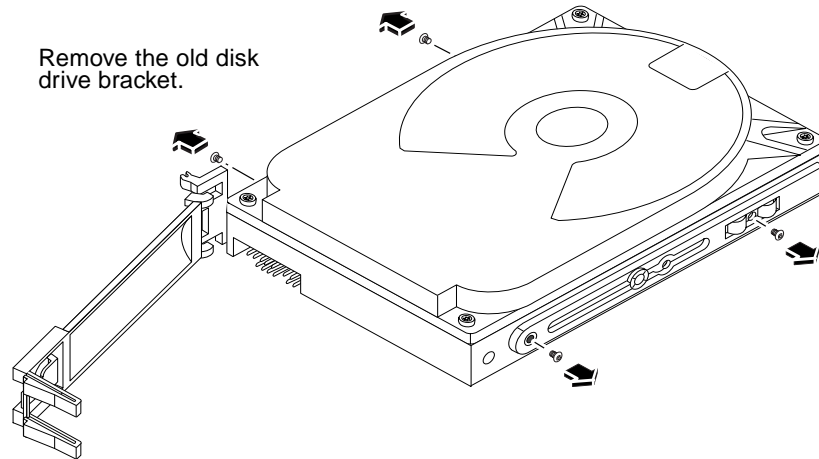
The Sun Enterprise 450 server supports 1-inch high and 3.5-inch wide UltraSCSI disk drives with a *new* bracket for securing each drive in the disk drive array. If your 1-inch high disk drives have the old brackets on them, you must install the new brackets that came with your upgrade before you can transfer the drives into the new system.

Examine the following drawing to see if your drives have the old bracket. To install new brackets on your disk drives follow this procedure.

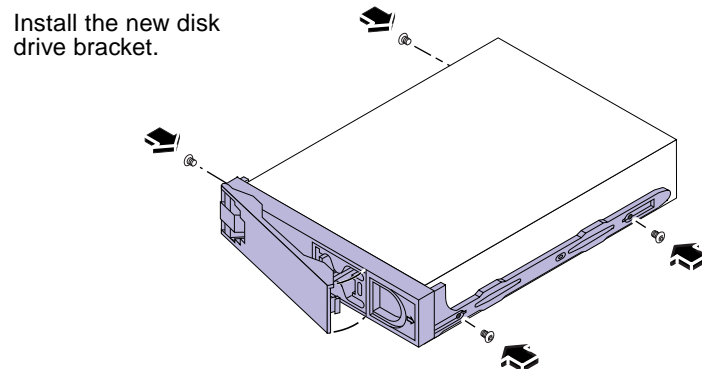
1. Remove the disk drive from your old system.

See the documentation supplied with your system for disk drive removal. If you have not backed up your data disks, see “Backing Up Data Disk Drives” on page 4.

2. Remove the four Phillips screws securing the old bracket to the disk drive.



3. Attach the new bracket to the disk drive using the four Phillips screws.



4. Repeat steps 1 to 3 as many times as is necessary to install the new disk drive brackets onto your 1-inch high disk drives.

Transferring Disk Drives Into the Sun Enterprise 450 Server

For information about mounting a data disk as a Sun Enterprise 450 server data disk, consult the System Administration Guide accompanying your software documentation. Use the device name you recorded in the section “Backing Up Data Disk Drives” on page 4.

To configure and use any transferred data disk as part of a disk array, consult the Solstice DiskSuite™ documentation.

- **Install each disk drive into the Sun Enterprise 450 server.**

See the *Ultra Enterprise 450 Server Owner's Guide* and the *Sun Enterprise 450 Server Product Notes* for information about installing and configuring disk drives in your server.

Powering Up Your Upgraded System

The procedure for powering up your system for the first time depends on the operating system you are using. Refer to the *Ultra Enterprise 450 Server Owner's Guide* for instructions about configuring your server. Your system is connected to a network, and the network environment will require some advance preparation before you turn on your server.

Do not power up your system until you have notified your system administrator and have received permission to proceed. If you must act as your own system administrator, see the documentation that accompanies your operating system software.

Return Material Procedure

Accompanying your upgrade is a Return Material Authorization (RMA) documentation set that includes a letter and instructions for returning your old equipment to Sun Microsystems.

Once you have completed the upgrade process, you must return your old system unit to Sun Microsystems. Be sure to remove and keep any SBus cards or memory modules before returning the system.

To return your old equipment to Sun Microsystems:

- 1. Disconnect any cables that may still be attached to the system unit.**
- 2. Pack the system unit in appropriate packing materials.**

Use the system's original packing materials or the Sun Enterprise 450 server materials, if possible. Be sure that the unit is secure and well padded inside its shipping carton.
- 3. Follow the instructions in the *Sun Upgrades RMA Letter* to return the equipment to Sun Microsystems.**

You have completed the upgrade process. If you encounter any difficulties with your new server, call the Sun Response Center or your authorized service provider.

