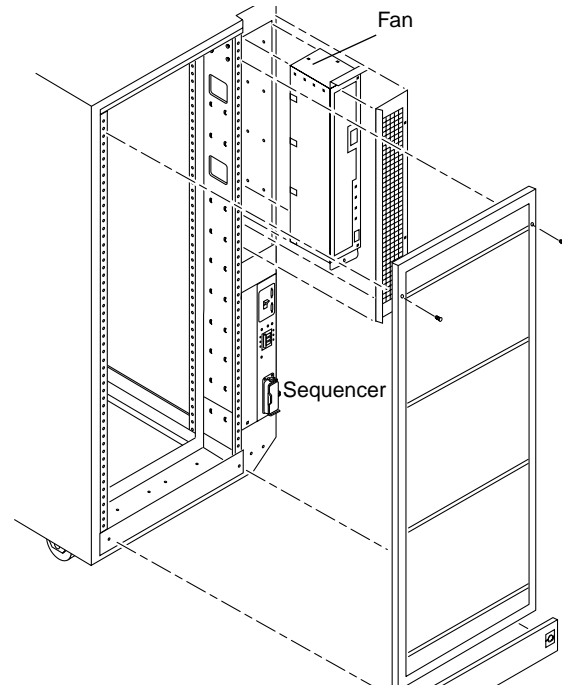


Where to Install the Second Power Sequencer

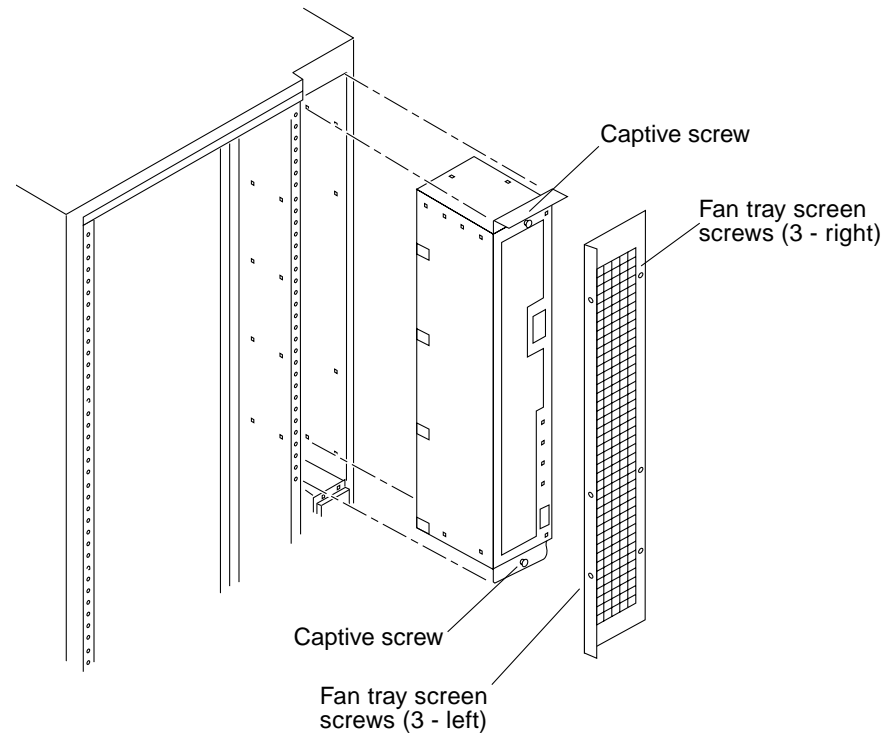
The power sequencer in the Sun Ultra Expansion Cabinet (the rack) is located at the right rear of the rack. Before you install the second power sequencer, you must remove the fan.



Warning – This unit may have up to two power controllers. To reduce the risk of electric shock, be sure to disconnect all power cords to the unit before servicing.

Removing the Fan

1. **Remove the rear screen of the rack.**
Two screws secure it.



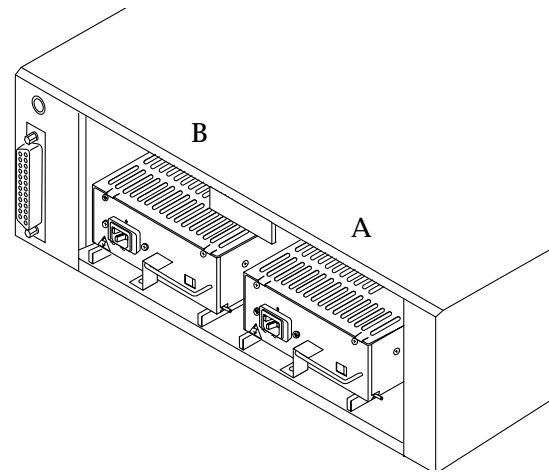
2. **Remove the fan tray screen at the right rear of the chassis.**
 - a. **Loosen the top screw on the left and the three screws on the right of the fan tray screen.**
It is not necessary to remove these four screws since the screen has keyholes.
 - b. **Remove the two bottom screws on the left of the fan tray screen.**
Removing these screws will ensure adequate clearance.
 - c. **Lift the screen up until the keyholes clear the screw heads, and set the screen aside.**
3. **Remove the power cable and fan cable from the connectors on the front of the fan tray assembly.**
4. **Loosen the captive screw at the top and bottom of the fan tray.**

5. **Tilt the fan tray assembly back slightly so that it clears the top of the chassis.**

6. **Remove the fan tray assembly.**

Installing the Second Power Sequencer

1. **Install the second power sequencer in the space directly above the first power sequencer in the space vacated by the fan.**
 - a. **Position the new power sequencer at the left of the opening.**
A catch lip on the bottom of the power sequencer fits over the bottom rim of the opening in the rack, allowing you to seat the power sequencer in the chassis.
 - b. **Tilt the power sequencer so that it is flush against the chassis.**
 - c. **Tighten four screws to secure the power sequencer to the chassis.**
 - d. **On the inner side of each power sequencer are two 3-prong white connectors. Connect the small supplied cable to the free connector on the first power sequencer and to either of the connectors on the second power sequencer.**
You may need to remove the side panel for access.
 - e. **Fit the 1u panel over the space to the right of the power sequencer and secure it with two screws.**
Be sure the caution label faces out.
2. **Route the heavy power cable to the left and secure it with the supplied clamps.**



3. Connect the tray power cords to the sequencer.

For the SPARCstorage RSM trays, connect all the power cords from the A power modules to one sequencer and the power cords from the B power modules to the other.

4. Replace the back screen.

5. Connect the power sequencer power cords to the wall.

6. Turn on the power.

Ordering Sun Documents

SunDocsSM is a distribution program for technical documentation and is available from SunExpressTM. You can find a full listing of available documentation on the World Wide Web:

<http://www.sun.com/sunexpress/>

To order or for more information:

Telephone: 1-800-873-7869 (North America only)

Fax: 1-800-944-0661 (North America only)

Reader Comments

Your comments and suggestions are important to us. Please let us know what you think about the *The Sun Ultra Expansion Rack: Installing a Second Power Sequencer*, part number 805-0028-10.

You can send detailed comments via email to smcc-docs@sun.com, or send a fax to *SMCC Doc Feedback* at (415) 786-6443.

Copyright 1996 Sun Microsystems, Inc. All rights reserved. Protected by copyright and licenses restricting use, copying, distribution, and decompilation. Sun, Sun Microsystems, the Sun Logo, SunSoft, and Solaris are trademarks or registered trademarks of Sun Microsystems, Inc. in the United States and in other countries. UNIX[®] is a registered trademark in the United States and other countries, exclusively licensed through X/Open Company, Ltd. Parts of this project may be derived from UNIX system licensed from Novell, Inc. and from the Berkeley 4.3 BSD system licensed from the University of California. Third party font software in this product is protected by copyright and licensed from Sun's font suppliers. RESTRICTED RIGHTS LEGEND: Use, duplication, or disclosure by the government is subject to restrictions as set forth in subparagraph (c) (1) (ii) of the Rights in Technical Data and Computer Software clause at DFARS 252.227-7013 and FAR 52.227-19.

Copyright 1996 Sun Microsystems, Inc. Tous droits réservés. Protégé par un copyright et distribué par des licences qui en restreignent l'utilisation, la copie, la distribution, et la décompilation. Sun, Sun Microsystems, le logo Sun, SunSoft, et Solaris sont des marques déposées ou enregistrées de Sun Microsystems, Inc. aux Etats-Unis et dans d'autres pays. UNIX[®] est une marque enregistrée aux Etats-Unis et dans d'autres pays et licenciée exclusivement par X/Open Company Ltd. Des parties de ce produit pourront être dérivées du système UNIX licencié par Novell, Inc. et du système Berkeley 4.3 BSD licencié par l'Université de Californie. Le logiciel détenu par des tiers, et qui comprend la technologie relative aux polices de caractères, est protégé par un copyright et licencié par des fournisseurs de Sun.



Part Number: 805-0028-10
Revision A of October 1996



The Sun Ultra Expansion Rack: Installing a Second Power Sequencer

