

# Sun™ Enterprise™ Optional Power Sequencer Installation Guide

---

*For the Sun Enterprise 6500/5500 System Cabinet  
and the Sun Enterprise 68-inch Expansion Cabinet*



THE NETWORK IS THE COMPUTER™

**Sun Microsystems, Inc.**  
901 San Antonio Road  
Palo Alto, CA 94303-4900 USA  
650 960-1300 Fax 650 969-9131

Part No. 805-5621-11  
July 1998, Revision A

Send comments about this document to: [docfeedback@sun.com](mailto:docfeedback@sun.com)

Copyright 1998 Sun Microsystems, Inc., 901 San Antonio Road • Palo Alto, CA 94303 USA. All rights reserved.

This product or document is protected by copyright and distributed under licenses restricting its use, copying, distribution, and decompilation. No part of this product or document may be reproduced in any form by any means without prior written authorization of Sun and its licensors, if any. Third-party software, including font technology, is copyrighted and licensed from Sun suppliers.

Parts of the product may be derived from Berkeley BSD systems, licensed from the University of California. UNIX is a registered trademark in the U.S. and other countries, exclusively licensed through X/Open Company, Ltd.

Sun, Sun Microsystems, the Sun logo, AnswerBook, Java, the Java Coffee Cup, and Solaris are trademarks, registered trademarks, or service marks of Sun Microsystems, Inc. in the U.S. and other countries. All SPARC trademarks are used under license and are trademarks or registered trademarks of SPARC International, Inc. in the U.S. and other countries. Products bearing SPARC trademarks are based upon an architecture developed by Sun Microsystems, Inc.

The OPEN LOOK and Sun™ Graphical User Interface was developed by Sun Microsystems, Inc. for its users and licensees. Sun acknowledges the pioneering efforts of Xerox in researching and developing the concept of visual or graphical user interfaces for the computer industry. Sun holds a non-exclusive license from Xerox to the Xerox Graphical User Interface, which license also covers Sun's licensees who implement OPEN LOOK GUIs and otherwise comply with Sun's written license agreements.

**RESTRICTED RIGHTS:** Use, duplication, or disclosure by the U.S. Government is subject to restrictions of FAR 52.227-14(g)(2)(6/87) and FAR 52.227-19(6/87), or DFAR 252.227-7015(b)(6/95) and DFAR 227.7202-3(a).

DOCUMENTATION IS PROVIDED "AS IS" AND ALL EXPRESS OR IMPLIED CONDITIONS, REPRESENTATIONS AND WARRANTIES, INCLUDING ANY IMPLIED WARRANTY OF MERCHANTABILITY, FITNESS FOR A PARTICULAR PURPOSE OR NON-INFRINGEMENT, ARE DISCLAIMED, EXCEPT TO THE EXTENT THAT SUCH DISCLAIMERS ARE HELD TO BE LEGALLY INVALID.

Copyright 1998 Sun Microsystems, Inc., 901 San Antonio Road • Palo Alto, CA 94303 Etats-Unis. Tous droits réservés.

Ce produit ou document est protégé par un copyright et distribué avec des licences qui en restreignent l'utilisation, la copie, la distribution, et la décompilation. Aucune partie de ce produit ou document ne peut être reproduite sous aucune forme, par quelque moyen que ce soit, sans l'autorisation préalable et écrite de Sun et de ses bailleurs de licence, s'il y en a. Le logiciel détenu par des tiers, et qui comprend la technologie relative aux polices de caractères, est protégé par un copyright et licencié par des fournisseurs de Sun.

Des parties de ce produit pourront être dérivées des systèmes Berkeley BSD licenciés par l'Université de Californie. UNIX est une marque déposée aux Etats-Unis et dans d'autres pays et licenciée exclusivement par X/Open Company, Ltd.

Sun, Sun Microsystems, le logo Sun, AnswerBook, Java, le logo Java Coffee Cup, et Solaris sont des marques de fabrique ou des marques déposées, ou marques de service, de Sun Microsystems, Inc. aux Etats-Unis et dans d'autres pays. Toutes les marques SPARC sont utilisées sous licence et sont des marques de fabrique ou des marques déposées de SPARC International, Inc. aux Etats-Unis et dans d'autres pays. Les produits portant les marques SPARC sont basés sur une architecture développée par Sun Microsystems, Inc.

L'interface d'utilisation graphique OPEN LOOK et Sun™ a été développée par Sun Microsystems, Inc. pour ses utilisateurs et licenciés. Sun reconnaît les efforts de pionniers de Xerox pour la recherche et le développement du concept des interfaces d'utilisation visuelle ou graphique pour l'industrie de l'informatique. Sun détient une licence non exclusive de Xerox sur l'interface d'utilisation graphique Xerox, cette licence couvrant également les licenciés de Sun qui mettent en place l'interface d'utilisation graphique OPEN LOOK et qui en outre se conforment aux licences écrites de Sun.

CETTE PUBLICATION EST FOURNIE "EN L'ETAT" ET AUCUNE GARANTIE, EXPRESSE OU IMPLICITE, N'EST ACCORDEE, Y COMPRIS DES GARANTIES CONCERNANT LA VALEUR MARCHANDE, L'APTITUDE DE LA PUBLICATION A REpondre A UNE UTILISATION PARTICULIERE, OU LE FAIT QU'ELLE NE SOIT PAS CONTREFAISANTE DE PRODUIT DE TIERS. CE DENI DE GARANTIE NE S'APPLIQUERAIT PAS, DANS LA MESURE OU IL SERAIT TENU JURIDIQUEMENT NUL ET NON AVENU.



# Contents

---

- 1.1 Installation in a Sun Enterprise 6500/5500 System Cabinet 2
  - 1.1.1 Installing the Sequencer Mounting Bracket 2
  - 1.1.2 Installing the Power Sequencer 4
  - 1.1.3 Optional Power Sequencer Cabling for the 6500/5500 System Cabinet 5
- 1.2 Installation in a Sun Enterprise 68-inch Expansion Cabinet 6
  - 1.2.1 Installing the Power Sequencer 6
  - 1.2.2 Optional Power Sequencer Cabling for the 68-inch Expansion Cabinet 8



# Figures

---

- FIGURE 1-1 Removing Door and Filler Panels in the Sun Enterprise System Cabinet 2
- FIGURE 1-2 Installing the Mounting Bracket and Power Sequencer on the System Cabinet 3
- FIGURE 1-3 Power Sequencer Cable Cover Latch 4
- FIGURE 1-4 Cabling in the Sun Enterprise System Cabinet 5
- FIGURE 1-5 Power Sequencer Installation in the Expansion Cabinet 7
- FIGURE 1-6 Power Cord Cover Latch 8
- FIGURE 1-7 Key Switch Connector in the Sun Enterprise Expansion Cabinet 9



## Optional Power Sequencer Installation

---

An optional second power sequencer can be installed in either the Sun™ Enterprise™ 6500/5500 system cabinet, or in the Sun Enterprise 68-inch Expansion Cabinet. In both cabinets, the second sequencer is installed in the front of the cabinet. In the 6500/5500 system cabinet, it is also necessary to install a mounting bracket in order to install the sequencer.

- Installation in a Sun Enterprise 6500/5500 System Cabinet—page 1-2
- Installation in a Sun Enterprise 68-inch Expansion Cabinet—page 1-6

The power sequencer kit for the expansion cabinet contains:

- Power sequencer
- Cable ties (8)
- M4 x8 screws (2)
- 10-32 1/2 screws (8)
- Universal Cable
- Split end (Y) cable
- M4 x.7x13 mm screws (2)
- Cable (ground)
- Cable (main)
- Additional cables

The kit for the system cabinet contains all the above items, plus the following:

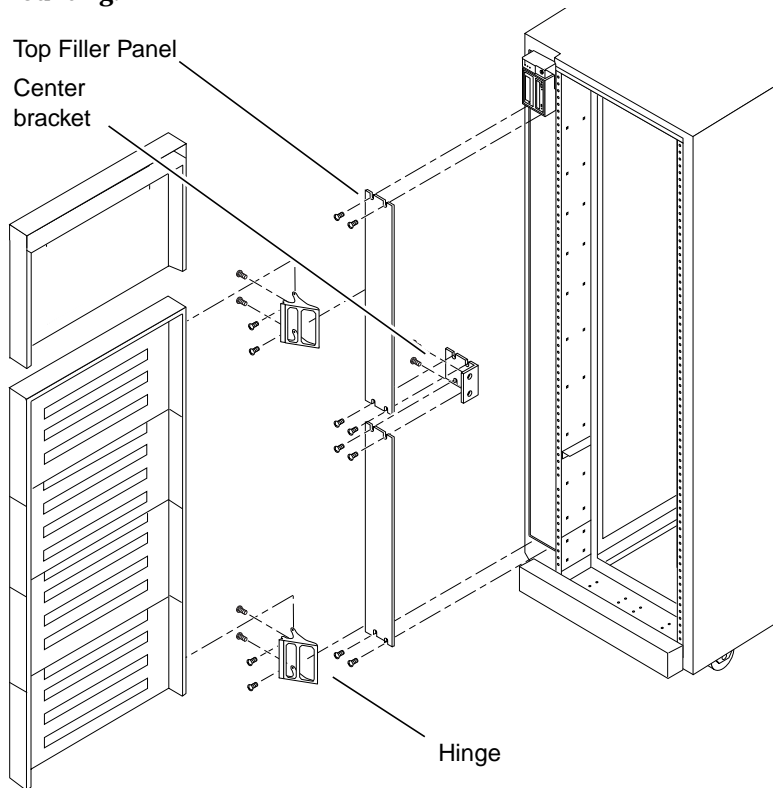
- Mounting bracket
- 6-32 screws (2)
- 10-32 1/2 screws (11)
- M4 x10 screw (1)
- Additional cables

---

# 1.1 Installation in a Sun Enterprise 6500/5500 System Cabinet

## 1.1.1 Installing the Sequencer Mounting Bracket

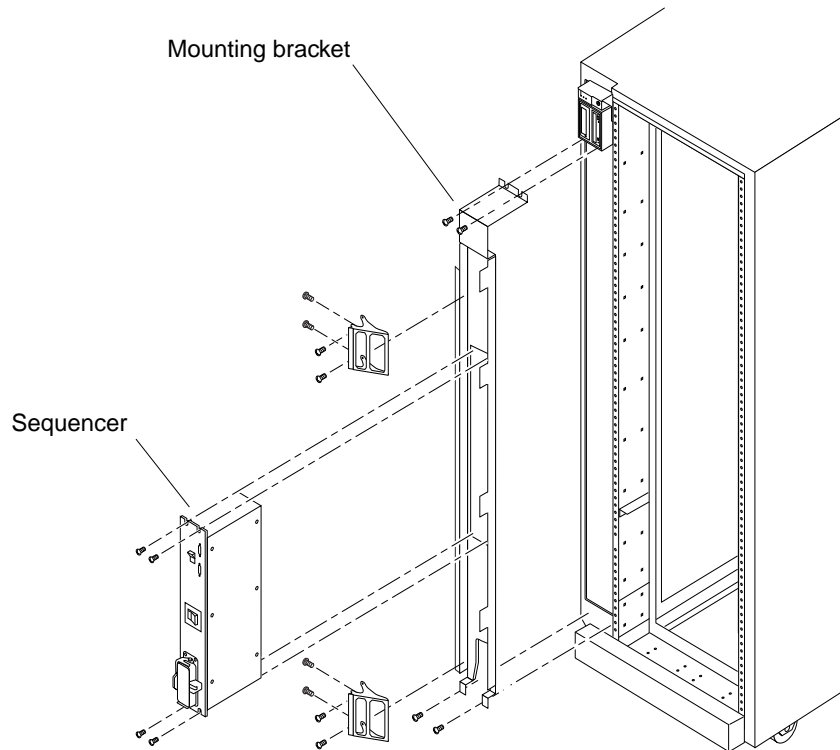
1. Notify users that you are going to bring down the system, then halt the operating system and turn off electrical power following the instructions in your system reference manual.
2. Open the front door fully and lift it off the hinges. Set the door aside.
3. Remove the top and bottom front door hinges by removing the four screws securing them to the filler panels. Note the placement of the hinges for remounting.



**FIGURE 1-1** Removing Door and Filler Panels in the Sun Enterprise System Cabinet



4. Remove the top bezel by grasping both sides and pulling the bezel toward you.
5. Remove the cabinet left side panel by loosening the captive screws at the bottom and lifting it up off the cabinet.
6. Remove the top and bottom filler panels and the center bracket by removing the screws securing them to the left side of the chassis.
7. Align the sequencer mounting bracket with the flange on the right side facing forward.
  - a. Use the screws from Step 4 for the two top and bottom screws and for the right side flange.
  - b. Going down the left side, in order, use the M4 screw and then the two 6-32 screws.



**FIGURE 1-2** Installing the Mounting Bracket and Power Sequencer on the System Cabinet

## 1.1.2 Installing the Power Sequencer

1. Using the four 10-32 screws supplied, attach the power sequencer to the mounting bracket with the AC power socket toward the front of the cabinet.
2. On the sequencer, set the Local/Remote switch and the Power switch to OFF.
3. Loosen the two screws on the rear kick panel and remove it.
4. Remove the rear door by pulling out the two hinge pins and lifting the door off the cabinet.



---

**Caution** – Do not disconnect the main AC power cable. It serves as a ground path for the chassis.

---

5. Connect the power cable to the sequencer and pull the cover latch over the power cord to secure it to the power socket.

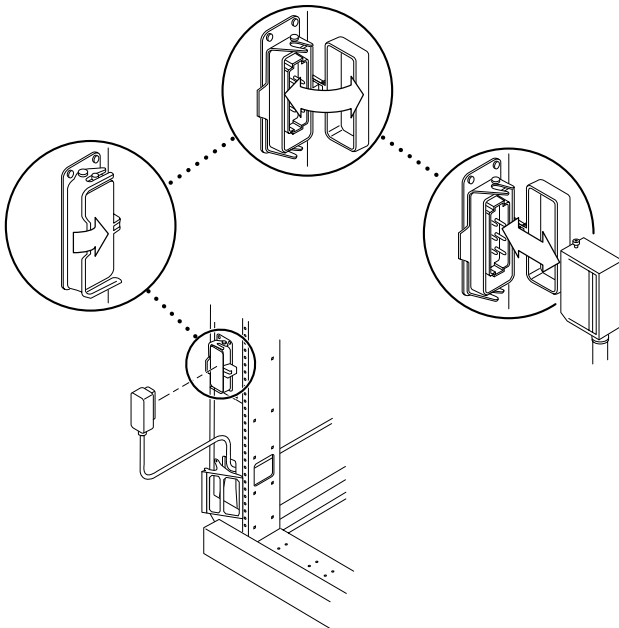


FIGURE 1-3 Power Sequencer Cable Cover Latch

6. Route the power cable through the opening directly below the optional sequencer and to the rear of the cabinet.

7. Pull the power cable through the opening directly below and to the left of the existing power sequencer.
8. Replace the kick panel on the rear of the cabinet with two screws.

### 1.1.3 Optional Power Sequencer Cabling for the 6500/5500 System Cabinet

1. Route the device power cables to the rear of the enclosure through the opening immediately below the fan tray.  
Connect devices in the upper trays to the optional power sequencer. Devices in the lower trays remain connected to the existing power sequencer.
2. Connect the device power cords to connectors J5 through J12 on the back of the sequencer and then tie-wrap the cables.
3. Replace the left side panel by placing the panel on the hooks at the cabinet top and then tightening the two captive screws at the base of the panel.

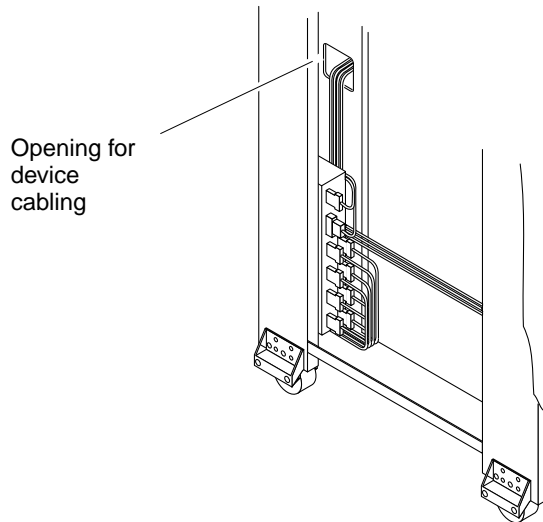


FIGURE 1-4 Cabling in the Sun Enterprise System Cabinet

4. Connect the optional power sequencer power cable to an appropriate power outlet, but not to the same AC circuit the main power sequencer is connected to.
5. Place the rear door on the hinges and insert the two hinge pins.

6. **Secure the front door hinges to the mounting panel with the four screws you removed previously. Place the door on the hinges.**
7. **Replace the top bezel by aligning the ball studs with the catches on the bezel, then tap or press the bezel into place.**
8. **Power on the system following the instructions in your system reference manual.**

---

## 1.2 Installation in a Sun Enterprise 68-inch Expansion Cabinet

### 1.2.1 Installing the Power Sequencer

1. **Notify users that you are going to bring down the system, then halt operations and power off your host system (system cabinet).**
2. **Open the expansion cabinet front door and verify that the key switch is in the Standby position.**
3. **Turn off the power sequencer circuit breaker in the rear of the system.**
4. **Loosen and remove the four screws securing the power sequencer filler panel to the left side pillar.**

5. Set the optional power sequencer into the chassis bottom first so that it rests on the two hooks located on the sequencer bottom. Secure the power sequencer with the four mounting screws.

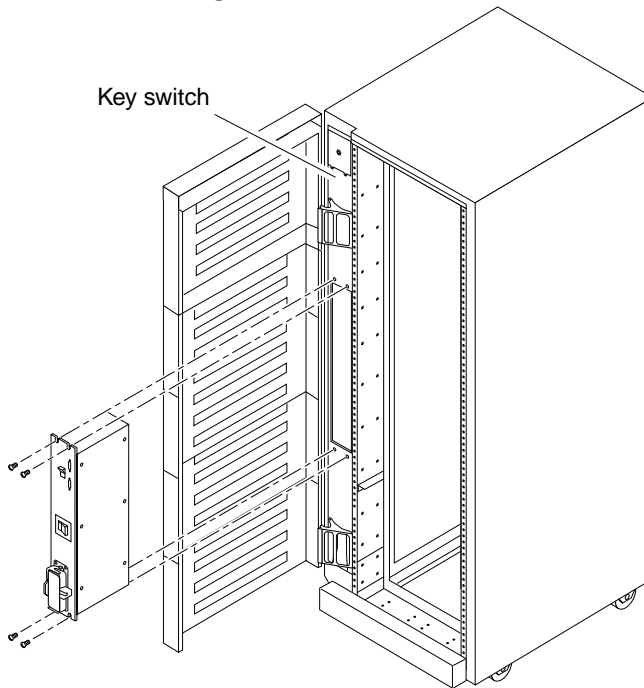


FIGURE 1-5 Power Sequencer Installation in the Expansion Cabinet

6. Open the cover latch and connect the AC power cord to the power sequencer connector.

Pull the cover latch over the power cord to secure it to the socket.

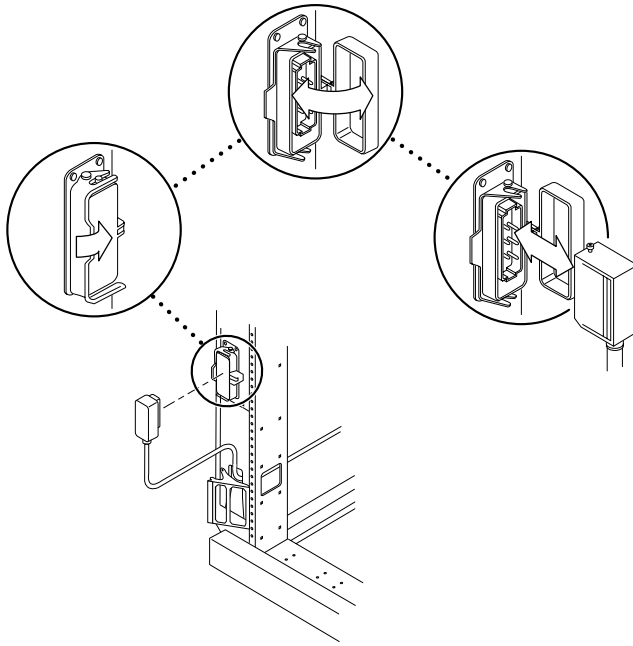


FIGURE 1-6 Power Cord Cover Latch

## 1.2.2 Optional Power Sequencer Cabling for the 68-inch Expansion Cabinet

1. Remove the cabinet left side panel by loosening the captive screws at the bottom and lifting it up off the cabinet.
2. Loosen the two screws on the rear kick panel and remove it.
3. Route the power cable from the front through the opening directly below the optional sequencer and to the rear of the cabinet chassis.
4. From the rear of the cabinet, grasp the power cable through the opening directly below and to the left of the existing sequencer.
5. Replace the kick panel on the rear of the cabinet with two screws.
6. Disconnect the existing power sequencer key switch cable connector (FIGURE 1-7 on page 1-9) from the adapter cable that goes to the sequencer and replace this cable with the split adapter cable that came with your optional sequencer.

7. **Connect the single end of this cable to the key switch cable and each of the adapter cable split ends to connector J3 of each sequencer.**
8. **Connect the power cords that came with your optional sequencer to connectors J5 through J12 on the back of the sequencer. Tie-wrap the cables.**
9. **Route the device power cables to the rear of the enclosure through the opening immediately below the fan tray.**  
Connect devices in the upper trays to the optional power sequencer. Devices in the lower trays remain connected to the existing power sequencer.

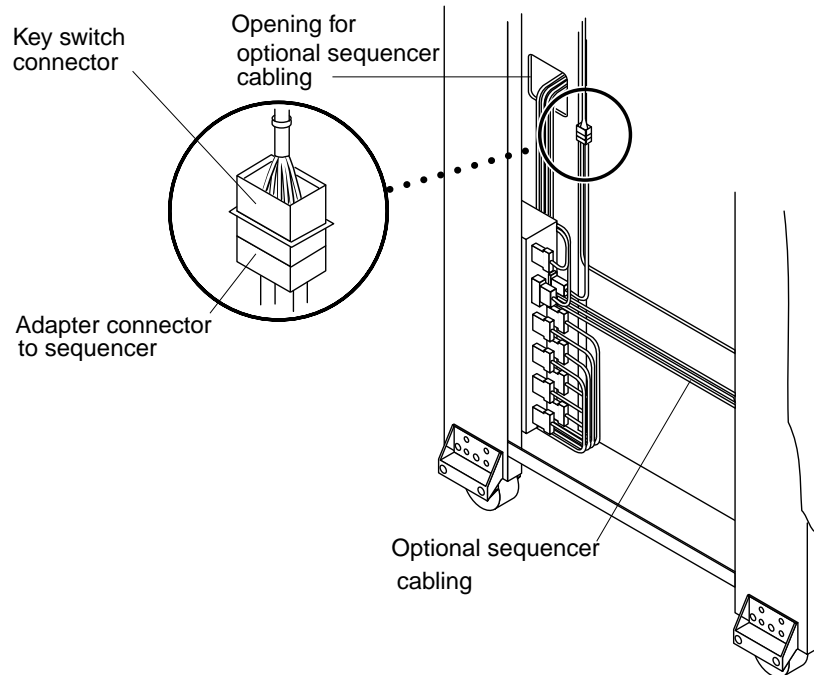


FIGURE 1-7 Key Switch Connector in the Sun Enterprise Expansion Cabinet

10. **Replace the left side panel by placing the panel on the hooks at the cabinet top and then tightening the two captive screws at the base of the panel.**
11. **Connect the optional power sequencer power cable to an appropriate power outlet, but not the same AC circuit the main power sequencer is connected to.**
12. **Power on the system following the instructions in your system reference manual.**

