

Use the locking module to stack:

- Two Ultra Enterprise 4000 (Enterprise 4000) systems
- One Enterprise 4000 system and one SPARCstorage Array Model 100 Series
- One Enterprise 4000 system and one SPARCstorage Library

Inventory

The kit contains:

- One locking module, 540-2958
- Four M6 x 14 mm screws, 240-2083

Restrictions

- Do not stack more than two systems/expansion enclosure chassis.
- The Enterprise 4000 system must be at the bottom of the stack.

Tools Required

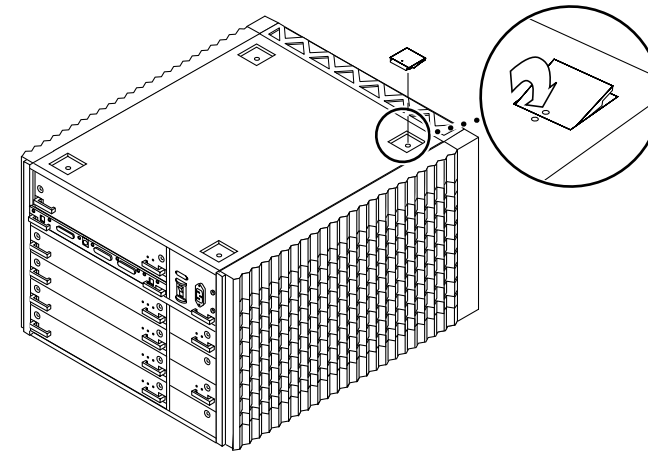
- #2 Phillips screwdriver
- Flatblade screwdriver

Preparation

1. Decide on a location for the stack before installing the locking module thus minimizing the need to move the assembly.
2. Power off each chassis that is to be used in the stack. Refer to the installation manuals shipped with the Enterprise 4000 system and expansion chassis for information on powering on and off.
3. Unpack the locking module and screws.

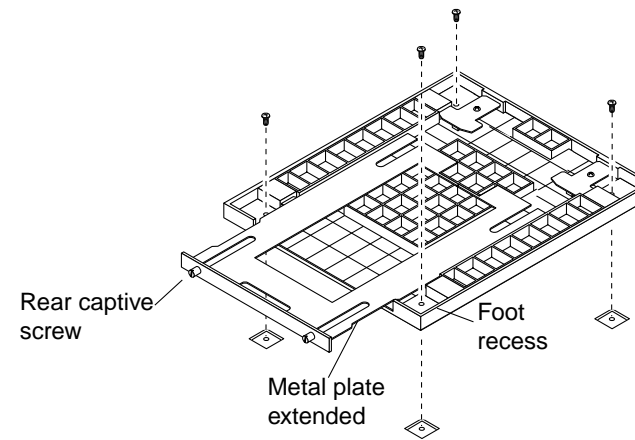
Installation

1. Remove the four cover plugs from the top of the Enterprise 4000 chassis by pressing down on each plug.



2. Place the locking module on top of the system chassis.

Orient the locking module so that the rear captive screws are positioned *at the rear of the system chassis*.



Note - The locking module sliding metal plate and screws must be at the rear of the chassis.

3. Install and tighten the four M6 Phillips screws in the locking module foot recesses.

4. Facing the rear of the chassis, loosen the two rear captive screws from the metal rear panel assembly on the locking module.

5. Using the rear captive screws as handles, pull the locking module metal plate toward you until it is fully extended to the end of its track.

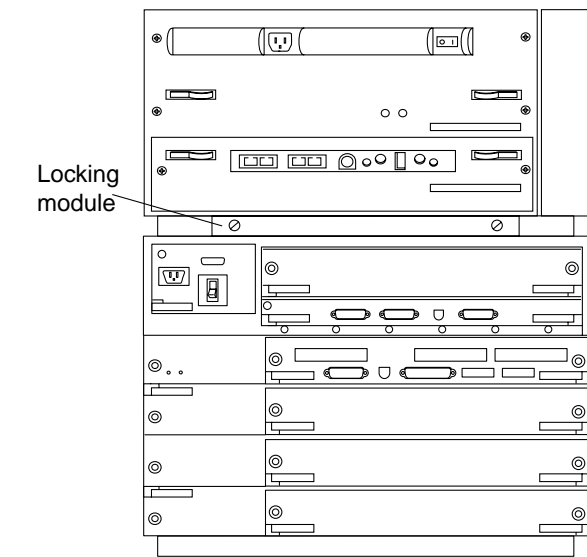
6. Orient the next chassis with the rear facing the same direction as the rear of the locking module and Enterprise 4000 system, and carefully place the chassis onto the locking module.

The chassis feet should be securely seated in the locking module foot recesses.

Note - The feet on the Enterprise 4000 system and expansion chassis are grooved to accommodate the locking module metal plate when it is returned to its fully retracted position.

7. Push the locking module metal plate in until it is flush with the rear face of the lock module.

8. Tighten the two locking module rear captive screws.



SPARCstorage Array and Enterprise 4000 System

Ordering Sun Documents

SunDocsSM is a distribution program for Sun Microsystems technical documentation. You can order SunDocs documentation from SunExpressTM, which accepts all major credit cards and company purchase orders, in the following ways:

Telephone: 1-800-873-7869 (North America only)
Fax: 1-800-944-0661 (North America only)
World Wide Web: <http://www.sun.com/sunexpress/>

Reader Comments

Your comments and suggestions are important to us. Please let us know what you think about the *Ultra Enterprise 4000 System Locking Module Installation Guide*, part number 805-0847-10.

You can send detailed comments via email to smcc-docs@sun.com, or send a fax to *SMCC Doc Feedback* at (415) 786-6443.

© 1997 Sun Microsystems, Inc., 2550 Garcia Avenue, Mountain View, California 94043-1100 U.S.A. All rights reserved. Sun, the Sun logo, Sun Microsystems, and Solaris are trademarks or registered trademarks of Sun Microsystems, Inc. in the United States and other countries. All SPARC trademarks, including the SCD Compliant logo, are trademarks or registered trademarks of SPARC International, Inc. in the United States and other countries. SPARCstation is licensed exclusively to Sun Microsystems, Inc. Products bearing SPARC trademark are based upon an architecture developed by Sun Microsystems, Inc.

© 1997 Sun Microsystems, Inc., 2550 Garcia Avenue, Mountain View, Californie 94043-1100 U.S.A. Tous droits réservés. Sun, le logo Sun, Sun Microsystems, et Solaris sont des marques déposées ou enregistrées par Sun Microsystems, Inc. aux Etats-Unis et dans certains d'autres pays. Toutes les marques SPARC, y compris le logo SCD Compliant, sont des marques déposées ou enregistrées de SPARC International, Inc. aux Etats-Unis et dans d'autres pays. SPARCstation est exclusivement licenciée à Sun Microsystems, Inc. Les produits portant la marque SPARC sont basés sur une architecture développée par Sun Microsystems, Inc.



Part Number: 805-0847-10
Revision A of January 1997



UltraTM EnterpriseTM 4000 System Locking Module Installation Guide

