
This document applies only to the Sun Enterprise 4500 system using the 464-MHz CPU/Memory modules.

Note – The 464-MHz 8-Mbyte CPU modules in Sun Enterprise 6500/5500 and rackmounted Sun Enterprise 4500 systems should not exceed temperatures of 35°C between 0–6,000 foot altitude or exceed 32°C between 6,000–10,000 foot altitude. Standalone Sun Enterprise 4500 and 3500 systems cannot exceed 40°C between 0–6,000 feet or exceed 37°C between 6,000–10,000 feet.

Before beginning subassembly procedures, notify users that the system is going to be powered off. Refer to Chapter 11, “Powering Off and On” in the *Sun Enterprise 6500/5500/4500 Systems Reference Manual* for power-off procedures.

Removing Subassemblies

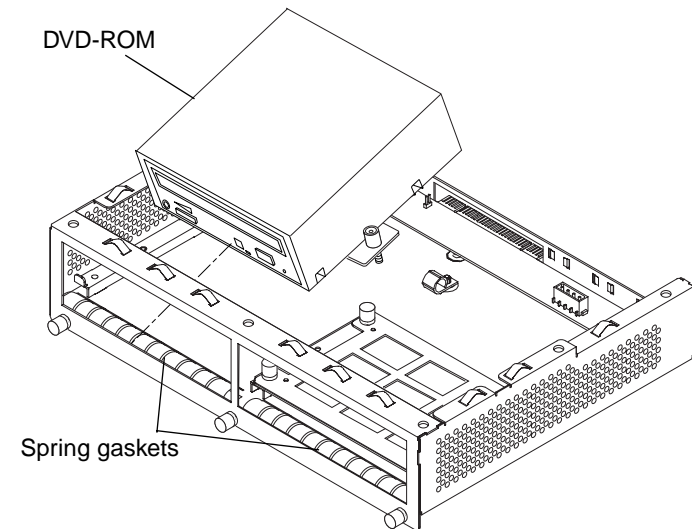
1. **Unlock and remove the front panel bezel.**
 - a. Press inward on the serrated edges at the lower left and right sides of the bezel.
 - b. Tilt the bezel up 45 degrees to remove it.
2. **Remove the media tray**
 - a. Loosen the three captive screws that hold the media tray in place.
 - b. Insert a screwdriver in the notch at the top center of the media tray and pull the tray forward a few inches.
 - c. Then grasp the tray with both hands to remove it completely out of the system.
3. **Remove the seven flathead screws on top of the media tray and lift the tray cover off to access the DVD-ROM and tape drive, if there is one.**
4. **Remove the DVD-ROM**
 - a. Disconnect the power connector and the SCSI connector from the DVD-ROM.
 - b. Unfasten the three captive screws on the mounting plate on which the DVD-ROM rests.
 - c. Lift the back of the DVD-ROM and gently pull it out at an angle to clear the DVD-ROM opening. Set it aside on an ESD mat.

- d. Repeat Steps b and c for removing the tape drive, if necessary.

Installing the Spring Gaskets and Subassemblies

1. **Peel the adhesive from the bottom of one of the spring gaskets and apply the closed-edge side of the gasket against the inside front of the media tray.**

Center each spring gasket using the opening of the DVD-ROM and tape drive as a guide.
2. **Repeat Step 1 to apply the second spring gasket.**



3. **Install the DVD-ROM and tape drive by reversing the order of the DVD-ROM removal procedures.**
 4. **Fasten the seven flathead screws on the cover of the media tray.**
 5. **Insert the media tray back into the card cage.**
 6. **Fasten the three captive screws on the card cage.**
 7. **Power the system back on.**

Refer to Chapter 11, “Powering Off and On” in the *Sun Enterprise 6500/5500/4500 Systems Reference Manual* for powering on procedures.
-

Accessing Sun Documentation Online

A broad selection of Sun system documentation is located at the following web site:

<http://www.sun.com/products-n-solutions/hardware/docs>

To locate the most current documentation at this site, select a product category. The documents at that location may include updated information that did not ship with your product, such as product notes, release notes, late-breaking news, or later revisions of manuals.

Ordering Sun Documentation

Fatbrain.com, an Internet professional bookstore, stocks select product documentation from Sun Microsystems, Inc. For a list of documents and how to order them, visit the Sun Documentation Center on Fatbrain.com at:

<http://www1.fatbrain.com/documentation/sun>

Sun Welcomes Your Comments

Sun is interested in improving its documentation and welcomes your comments and suggestions. You can email your comments to Sun at:

docfeedback@sun.com

Please include the part number (816-1472-10) of the document in the subject line of your email.

Copyright 2001 Sun Microsystems, Inc. All rights reserved. Use is subject to license terms. Third-party software, including font technology, is copyrighted and licensed from Sun suppliers. Sun, Sun Microsystems, the Sun Logo, AnswerBook2, docs.sun.com, Sun Enterprise, and Solaris are trademarks or registered trademarks of Sun Microsystems, Inc. in the U.S. and other countries. **RESTRICTED RIGHTS:** Use, duplication, or disclosure by the U.S. Federal Acquisitions: Commercial Software—Government Users Subject to Standard License Terms and Conditions. Federal Acquisitions: Commercial Software—Government Users Subject to Standard License Terms and Conditions.

Copyright 2001 Sun Microsystems, Inc. Tous droits réservés. Distribué par des licences qui en restreignent l'utilisation. Le logiciel détenu par des tiers, et qui comprend la technologie relative aux polices de caractères, est protégé par un copyright et licencié par des fournisseurs de Sun. Sun, Sun Microsystems, le logo Sun, AnswerBook2, docs.sun.com, et Solaris sont des marques de fabrique ou des marques déposées de Sun Microsystems, Inc. aux Etats-Unis et dans d'autres pays.



Please Recycle

Sun Microsystems, Inc. • 901 San Antonio Road • Palo Alto, CA 94303-4900
USA • 650 960-1300 • Fax 650 969-9131



Part Number: 816-1472-10
June 2001, Revision A



Sun Enterprise™ 4500 System EMI Spring Gasket Installation Guide

