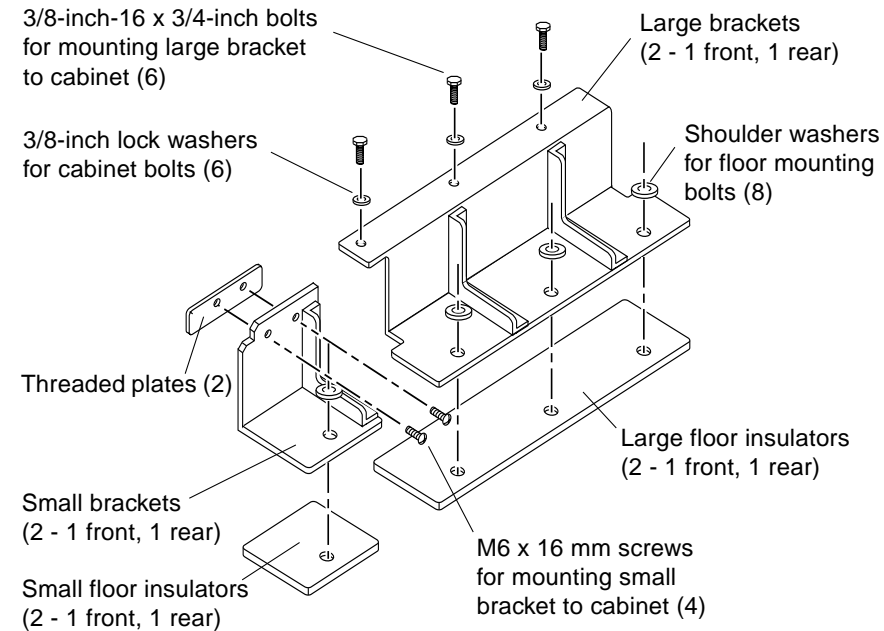


Use the Ultra Enterprise cabinet floor brackets to attach your system cabinet or expansion cabinet to the floor.

Inventory

The kit contains:



Note – Bracket holes are sized for M10 (3/8-inch) bolts. Bolts for the floor (8) are *not included* since floor material and construction vary, and the type and length of the bolts will depend on the application. A civil engineering professional can help determine specific hardware requirements for your floor and mounting location.

Preparation

To install the floor brackets you need:

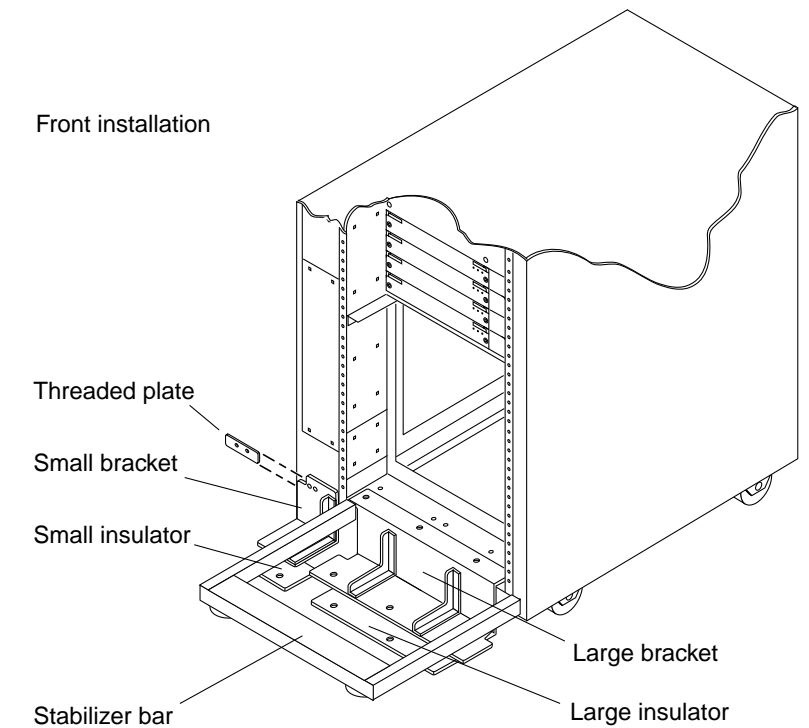
- Phillips #2 screwdriver for small bracket screws
- Adjustable wrench for large bracket bolts

- 1. Pull out the stabilizer bar at the front of the cabinet.**
For instructions, refer to the system or cabinet manual.
- 2. Remove the kick panel on the rear of the cabinet.**
Refer to the system or cabinet manual.
- 3. Position all the brackets against the cabinet frame and use the bolts provided to temporarily secure them to the cabinet:**
 - a. Place the front large bracket on the bottom of the cabinet beneath the card cage. Place 3/8-inch lock washers over the cabinet mounting holes, and insert and temporarily tighten three 3/8-inch bolts in the holes.**
 - b. Place the front small bracket (with the notched corner to the left) against the lower left side of the cabinet, beneath the door hinge bracket. Insert and temporarily tighten two M6 screws into the threaded plate.**
 - c. Place the rear large bracket on the bottom of the cabinet. Place 3/8-inch lock washers over the cabinet mounting holes, and insert and temporarily tighten three 3/8-inch bolts in the holes.**
 - d. Place the rear small bracket (with the notched corner to the right) against the lower right side of the cabinet, beneath the AC sequencer. Insert and temporarily tighten two M6 screws into the threaded plate.**
- 4. Using the brackets as templates, mark the floor to indicate the location of eight floor mounting holes.**
Three holes in each large bracket; one hole in each small bracket.
- 5. Remove the bolts and brackets, and drill the holes in the floor.**

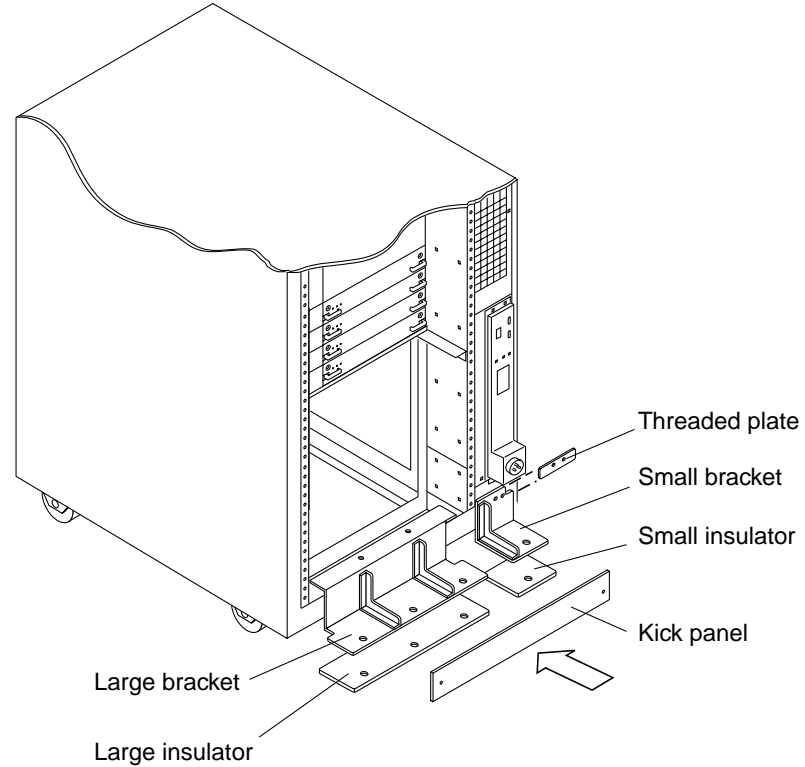
Installation

- 1. Put the brackets back in place and attach them:**
 - a. Put the large brackets in place as described in a. and c. and use the 3/8-inch bolts to attach them to the cabinet.**
Do not tighten the bolts until insulators are in place. See step 2.
 - b. Put the small brackets in place as described in b. and d. then:**

- i. Place a threaded plate behind the cabinet frame, aligning the holes in the plate, the frame, and the bracket.**
 - ii. Thread the M6 screws through the bracket and threaded plate.**
Do not tighten the screws until insulators are in place. See step 2.
- 2. Orient the floor insulators so that the holes and outside edges are aligned with the brackets, and slide the insulators beneath the brackets.**
Insulator edges should not extend beyond the bracket footprint.
 - 3. Tighten the 3/8-inch bolts and M6 screws so that the brackets are securely attached to the cabinet.**
 - 4. Insert the shoulder washers in the eight bracket floor holes.**
 - 5. Insert bolts through the shoulder washers and bracket holes to attach the cabinet to the floor. Tighten the eight bolts.**



Rear installation



Ordering Sun Documents

SunDocsSM is a distribution program for technical documentation and is available from SunExpressTM. You can find a full listing of available documentation on the World Wide Web:

<http://www.sun.com/sunexpress/>

To order or for more information:

Telephone: 1-800-873-7869 (North America only)

Fax: 1-800-944-0661 (North America only)

Reader Comments

Your comments and suggestions are important to us. Please let us know what you think about the *Ultra Enterprise Cabinet Floor Brackets Mounting Guide*, part number 802-7543-10.

You can send detailed comments via email to smcc-docs@sun.com, or send a fax to *SMCC Doc Feedback* at (415) 786-6443.

© 1996 Sun Microsystems, Inc., 2550 Garcia Avenue, Mountain View, California 94043-1100 U.S.A. All rights reserved. Sun, the Sun logo, Sun Microsystems, and Solaris are trademarks or registered trademarks of Sun Microsystems, Inc. in the United States and other countries. All SPARC trademarks, including the SCD Compliant logo, are trademarks or registered trademarks of SPARC International, Inc. in the United States and other countries. SPARCstation is licensed exclusively to Sun Microsystems, Inc. Products bearing SPARC trademark are based upon an architecture developed by Sun Microsystems, Inc.

© 1996 Sun Microsystems, Inc., 2550 Garcia Avenue, Mountain View, Californie 94043-1100 U.S.A. Tous droits réservés. Sun, le logo Sun, Sun Microsystems, et Solaris sont des marques déposées ou enregistrées par Sun Microsystems, Inc. aux Etats-Unis et dans certains d'autres pays. Toutes les marques SPARC, y compris le logo SCD Compliant, sont des marques déposées ou enregistrées de SPARC International, Inc. aux Etats-Unis et dans d'autres pays. SPARCstation est exclusivement licenciée à Sun Microsystems, Inc. Les produits portant la marque SPARC sont basés sur une architecture développée par Sun Microsystems, Inc.

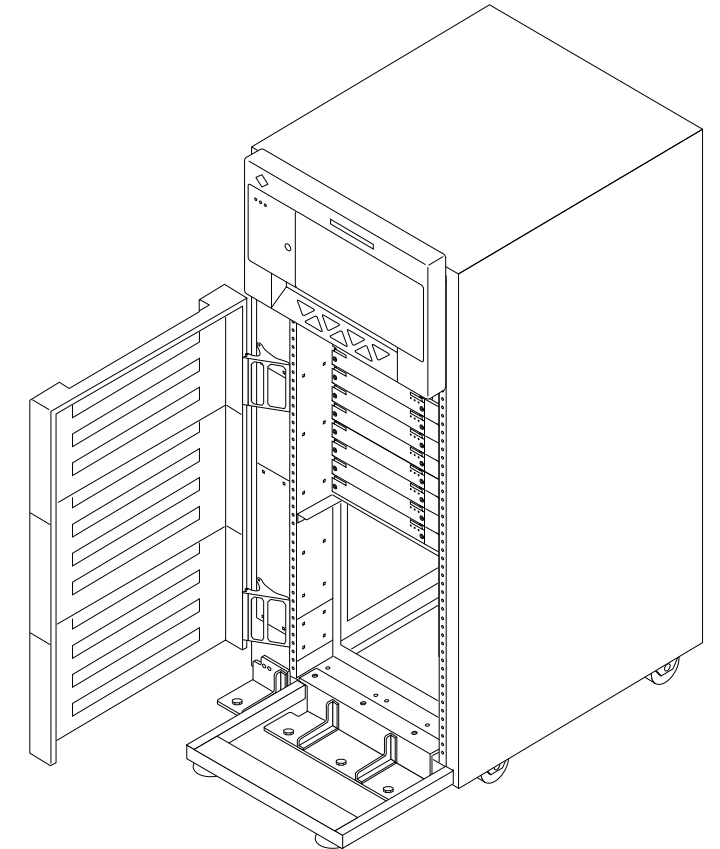
 Recycled Paper


Adobe PostScript

Part Number: 802-7543-10
Revision A of October 1996



UltraTM EnterpriseTM Cabinet Floor Brackets Mounting Guide

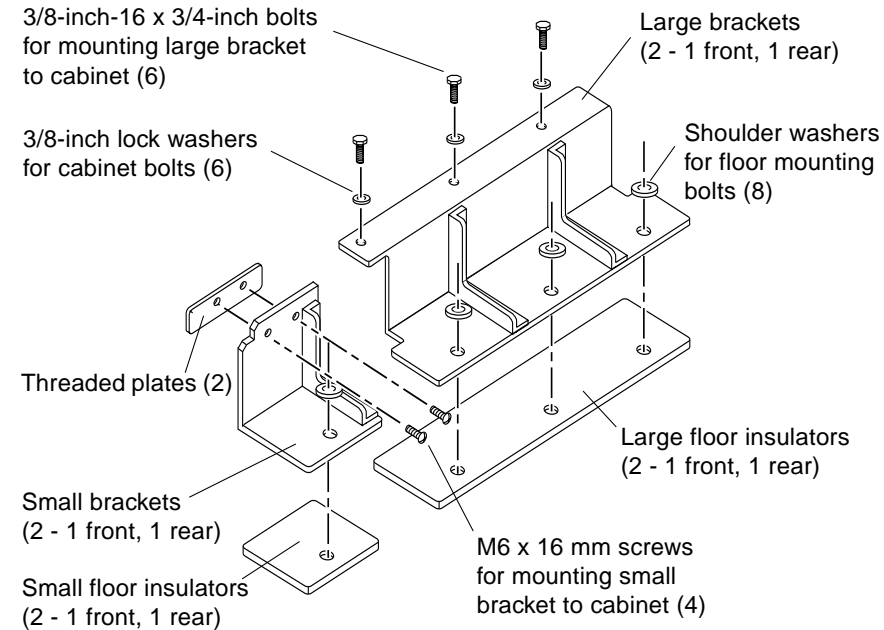


 Sun

Use the Ultra Enterprise cabinet floor brackets to attach your system cabinet or expansion cabinet to the floor.

Inventory

The kit contains:



Note – Bracket holes are sized for M10 (3/8-inch) bolts. Bolts for the floor (8) are *not included* since floor material and construction vary, and the type and length of the bolts will depend on the application. A civil engineering professional can help determine specific hardware requirements for your floor and mounting location.

Preparation

To install the floor brackets you need:

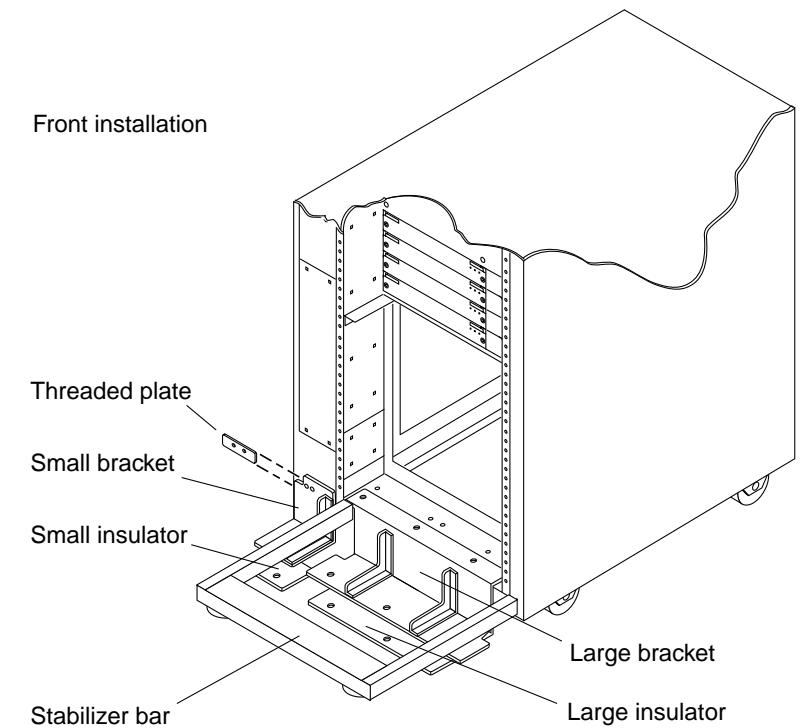
- Phillips #2 screwdriver for small bracket screws
- Adjustable wrench for large bracket bolts

- 1. Pull out the stabilizer bar at the front of the cabinet.**
For instructions, refer to the system or cabinet manual.
- 2. Remove the kick panel on the rear of the cabinet.**
Refer to the system or cabinet manual.
- 3. Position all the brackets against the cabinet frame and use the bolts provided to temporarily secure them to the cabinet:**
 - a. Place the front large bracket on the bottom of the cabinet beneath the card cage. Place 3/8-inch lock washers over the cabinet mounting holes, and insert and temporarily tighten three 3/8-inch bolts in the holes.**
 - b. Place the front small bracket (with the notched corner to the left) against the lower left side of the cabinet, beneath the door hinge bracket. Insert and temporarily tighten two M6 screws into the threaded plate.**
 - c. Place the rear large bracket on the bottom of the cabinet. Place 3/8-inch lock washers over the cabinet mounting holes, and insert and temporarily tighten three 3/8-inch bolts in the holes.**
 - d. Place the rear small bracket (with the notched corner to the right) against the lower right side of the cabinet, beneath the AC sequencer. Insert and temporarily tighten two M6 screws into the threaded plate.**
- 4. Using the brackets as templates, mark the floor to indicate the location of eight floor mounting holes.**
Three holes in each large bracket; one hole in each small bracket.
- 5. Remove the bolts and brackets, and drill the holes in the floor.**

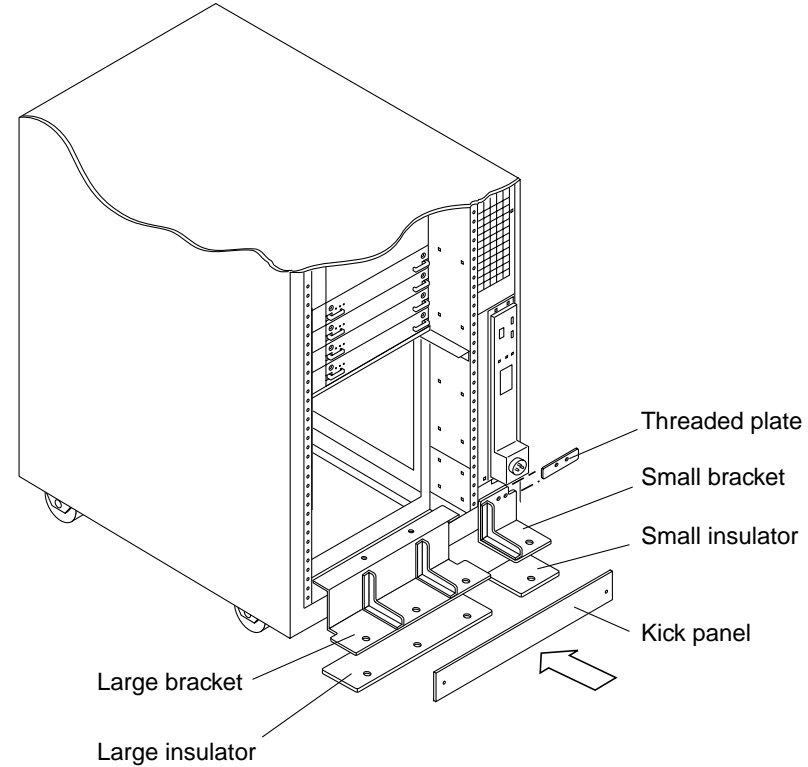
Installation

- 1. Put the brackets back in place and attach them:**
 - a. Put the large brackets in place as described in a. and c. and use the 3/8-inch bolts to attach them to the cabinet.**
Do not tighten the bolts until insulators are in place. See step 2.
 - b. Put the small brackets in place as described in b. and d. then:**

- i. Place a threaded plate behind the cabinet frame, aligning the holes in the plate, the frame, and the bracket.**
 - ii. Thread the M6 screws through the bracket and threaded plate.**
Do not tighten the screws until insulators are in place. See step 2.
- 2. Orient the floor insulators so that the holes and outside edges are aligned with the brackets, and slide the insulators beneath the brackets.**
Insulator edges should not extend beyond the bracket footprint.
 - 3. Tighten the 3/8-inch bolts and M6 screws so that the brackets are securely attached to the cabinet.**
 - 4. Insert the shoulder washers in the eight bracket floor holes.**
 - 5. Insert bolts through the shoulder washers and bracket holes to attach the cabinet to the floor. Tighten the eight bolts.**



Rear installation



Ordering Sun Documents

SunDocsSM is a distribution program for technical documentation and is available from SunExpressTM. You can find a full listing of available documentation on the World Wide Web:

<http://www.sun.com/sunexpress/>

To order or for more information:

Telephone: 1-800-873-7869 (North America only)

Fax: 1-800-944-0661 (North America only)

Reader Comments

Your comments and suggestions are important to us. Please let us know what you think about the *Ultra Enterprise Cabinet Floor Brackets Mounting Guide*, part number 802-7543-10.

You can send detailed comments via email to smcc-docs@sun.com, or send a fax to *SMCC Doc Feedback* at (415) 786-6443.

© 1996 Sun Microsystems, Inc., 2550 Garcia Avenue, Mountain View, California 94043-1100 U.S.A. All rights reserved. Sun, the Sun logo, Sun Microsystems, and Solaris are trademarks or registered trademarks of Sun Microsystems, Inc. in the United States and other countries. All SPARC trademarks, including the SCD Compliant logo, are trademarks or registered trademarks of SPARC International, Inc. in the United States and other countries. SPARCstation is licensed exclusively to Sun Microsystems, Inc. Products bearing SPARC trademark are based upon an architecture developed by Sun Microsystems, Inc.

© 1996 Sun Microsystems, Inc., 2550 Garcia Avenue, Mountain View, Californie 94043-1100 U.S.A. Tous droits réservés. Sun, le logo Sun, Sun Microsystems, et Solaris sont des marques déposées ou enregistrées par Sun Microsystems, Inc. aux Etats-Unis et dans certains d'autres pays. Toutes les marques SPARC, y compris le logo SCD Compliant, sont des marques déposées ou enregistrées de SPARC International, Inc. aux Etats-Unis et dans d'autres pays. SPARCstation est exclusivement licenciée à Sun Microsystems, Inc. Les produits portant la marque SPARC sont basés sur une architecture développée par Sun Microsystems, Inc.

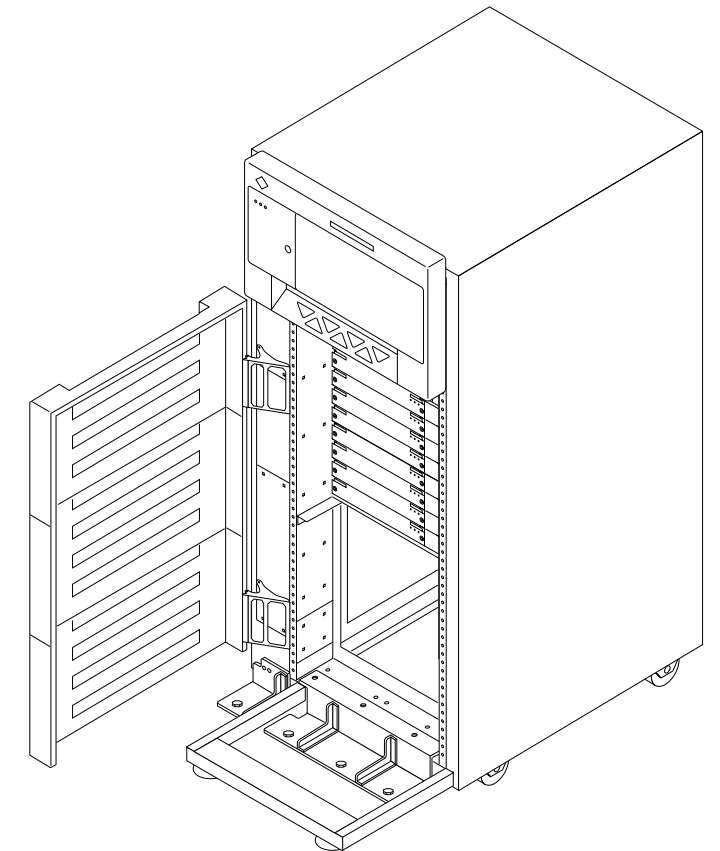
 Recycled Paper


Adobe PostScript

Part Number: 802-7543-10
Revision A of October 1996



UltraTM EnterpriseTM Cabinet Floor Brackets Mounting Guide



 Sun