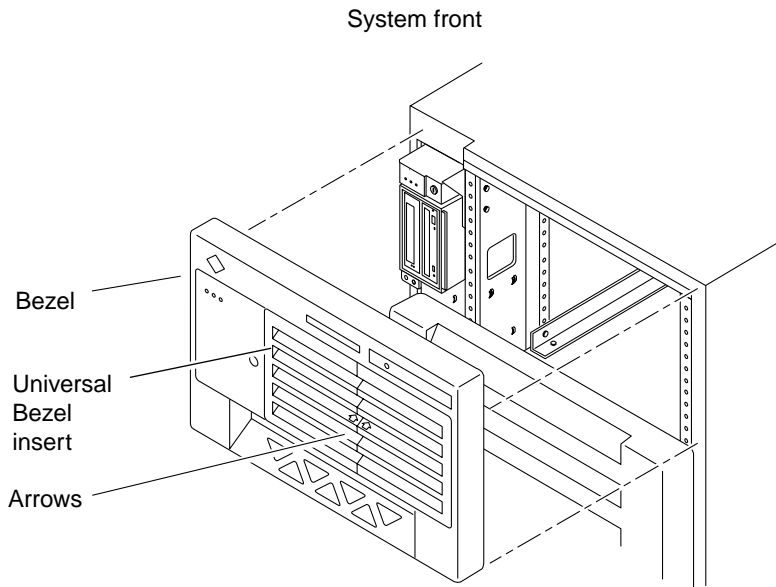
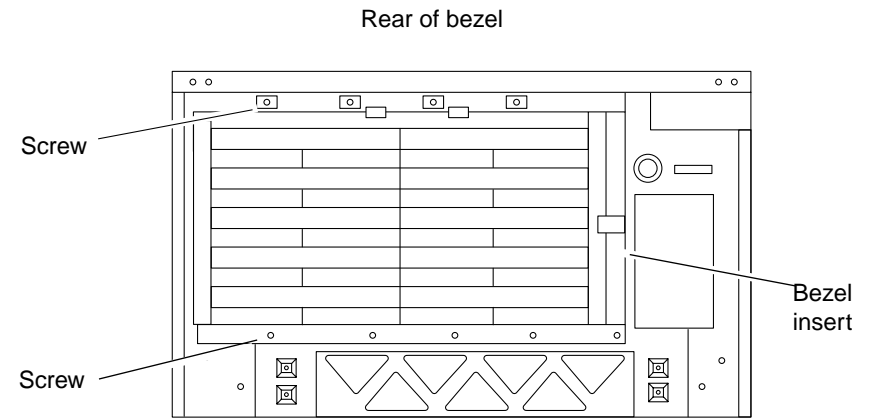

The universal bezel allows for installing an additional mass storage or tape storage device on top of the system. The two doors of the bezel may be opened by pulling around the arrows at the center of the insert.



Removing the Bezel and Bezel Insert

1. Remove the top front bezel from the chassis.
 - a. Remove the key from the keyswitch.
 - b. Grasp the bezel on both sides and pull the bezel away from the ball studs.
 - c. Place the bezel face down.
2. Remove the ten screws that secure the old bezel insert to the bezel, five along the top and five along the bottom.



Installing the Universal Bezel Insert and Replacing the Bezel

1. Set the universal bezel insert into the bezel and tighten the bottom center screw. At the top tighten the screw that is second from the right, then tighten the rest of the nine screws.
There are four screws at the top and five at the bottom.
 2. Place the bezel against the chassis aligning the ball studs on the chassis with the catches on the bezel.
 3. Tap or press both sides of the bezel into place.
 4. Insert the key into the keyswitch.
-

Sun Documentation on the Web

The docs.sun.comsm web site enables you to access Sun technical documentation on the Web. You can browse the docs.sun.com archive or search for a specific book title or subject at:

<http://docs.sun.com>

Sun Welcomes Your Comments


We are interested in improving our documentation and welcome your comments and suggestions. You can email your comments to us at:

docfeedback@sun.com

Please include the part number of the document in the subject line of your email.

Copyright 1998 Sun Microsystems, Inc. All rights reserved. Use is subject to license terms. Third-party software, including font technology, is copyrighted and licensed from Sun suppliers. Sun, Sun Microsystems, the Sun Logo, Java, the Java Coffee Cup logo, and Solaris are trademarks or registered trademarks of Sun Microsystems, Inc. in the U.S. and other countries. **RESTRICTED RIGHTS:** Use, duplication, or disclosure by the U.S. Government is subject to restrictions of FAR 52.227-14(g)(2)(6/87) and FAR 52.227-19(6/87), or DFAR 252.227-7015(b)(6/95) and DFAR fs227.7202-3(a).

Copyright 1998 Sun Microsystems, Inc. Tous droits réservés. Distribué par des licences qui en restreignent l'utilisation. Le logiciel détenu par des tiers, et qui comprend la technologie relative aux polices de caractères, est protégé par un copyright et licencié par des fournisseurs de Sun, Sun, Sun Microsystems, le logo Sun, Java, le logo Java Coffee Cup, et Solaris sont des marques de fabrique ou des marques déposées de Sun Microsystems, Inc. aux Etats-Unis et dans d'autres pays.

 Please Recycle Sun Microsystems, Inc. • 901 San Antonio Road • Palo Alto, CA 94303-4900
USA • 650 960-1300 • Fax 650 969-9131



Part Number: 806-0935-10
March 1999, Revision A



Sun Enterprise™ Cabinet Universal Bezel Insert Installation

*For Sun Enterprise 6x00 and 5x00 System
Cabinets*

