



# Sun Enterprise™ 6500/5500/4500 Systems Installation Guide

---

Sun Microsystems, Inc.  
901 San Antonio Road  
Palo Alto, CA 94303  
U.S.A. 650-960-1300

Part No. 805-2631-11  
August 2001 , [Revision A](#)

[Send comments about this document to: docfeedback@sun.com](mailto:docfeedback@sun.com)

Copyright 2001 Sun Microsystems, Inc., 901 San Antonio Road, Palo Alto, CA 94303-4900 U.S.A. All rights reserved.

This product or document is distributed under licenses restricting its use, copying, distribution, and decompilation. No part of this product or document may be reproduced in any form by any means without prior written authorization of Sun and its licensors, if any. Third-party software, including font technology, is copyrighted and licensed from Sun suppliers.

Parts of the product may be derived from Berkeley BSD systems, licensed from the University of California. UNIX is a registered trademark in the U.S. and other countries, exclusively licensed through X/Open Company, Ltd.

Sun, Sun Microsystems, the Sun logo, AnswerBook, AnswerBook2, docs.sun.com, Sun Enterprise, OpenBoot, JumpStart, Solstice SunNet Manager, Sun StorEdge, and Solaris are trademarks, registered trademarks, or service marks of Sun Microsystems, Inc. in the U.S. and other countries. All SPARC trademarks are used under license and are trademarks or registered trademarks of SPARC International, Inc. in the U.S. and other countries. Products bearing SPARC trademarks are based upon an architecture developed by Sun Microsystems, Inc.

The OPEN LOOK and Sun™ Graphical User Interface was developed by Sun Microsystems, Inc. for its users and licensees. Sun acknowledges the pioneering efforts of Xerox in researching and developing the concept of visual or graphical user interfaces for the computer industry. Sun holds a non-exclusive license from Xerox to the Xerox Graphical User Interface, which license also covers Sun's licensees who implement OPEN LOOK GUIs and otherwise comply with Sun's written license agreements.

Federal Acquisitions: Commercial Software—Government Users Subject to Standard License Terms and Conditions.

Sun Microsystems, Inc. has intellectual property rights relating to technology embodied in this product. In particular, and without limitation, these intellectual property rights may include one or more of the U.S. patents listed at <http://www.sun.com/patents> and one or more additional patents or pending patent applications in the U.S. and other countries.

DOCUMENTATION IS PROVIDED "AS IS" AND ALL EXPRESS OR IMPLIED CONDITIONS, REPRESENTATIONS AND WARRANTIES, INCLUDING ANY IMPLIED WARRANTY OF MERCHANTABILITY, FITNESS FOR A PARTICULAR PURPOSE OR NON-INFRINGEMENT, ARE DISCLAIMED, EXCEPT TO THE EXTENT THAT SUCH DISCLAIMERS ARE HELD TO BE LEGALLY INVALID.

---

Copyright 2001 Sun Microsystems, Inc., 901 San Antonio Road, Palo Alto, CA 94303-4900 Etats-Unis. Tous droits réservés.

Ce produit ou document est distribué avec des licences qui en restreignent l'utilisation, la copie, la distribution, et la décompilation. Aucune partie de ce produit ou document ne peut être reproduite sous aucune forme, par quelque moyen que ce soit, sans l'autorisation préalable et écrite de Sun et de ses bailleurs de licence, s'il y en a. Le logiciel détenu par des tiers, et qui comprend la technologie relative aux polices de caractères, est protégé par un copyright et licencié par des fournisseurs de Sun.

Des parties de ce produit pourront être dérivées des systèmes Berkeley BSD licenciés par l'Université de Californie. UNIX est une marque déposée aux Etats-Unis et dans d'autres pays et licenciée exclusivement par X/Open Company, Ltd.

Sun, Sun Microsystems, le logo Sun, AnswerBook, AnswerBook2, docs.sun.com, Sun Enterprise, OpenBoot, JumpStart, Solstice SunNet Manager, Sun StorEdge, et Solaris sont des marques de fabrique ou des marques déposées, ou marques de service, de Sun Microsystems, Inc. aux Etats-Unis et dans d'autres pays. Toutes les marques SPARC sont utilisées sous licence et sont des marques de fabrique ou des marques déposées de SPARC International, Inc. aux Etats-Unis et dans d'autres pays. Les produits portant les marques SPARC sont basés sur une architecture développée par Sun Microsystems, Inc.

L'interface d'utilisation graphique OPEN LOOK et Sun™ a été développée par Sun Microsystems, Inc. pour ses utilisateurs et licenciés. Sun reconnaît les efforts de pionniers de Xerox pour la recherche et le développement du concept des interfaces d'utilisation visuelle ou graphique pour l'industrie de l'informatique. Sun détient une licence non exclusive de Xerox sur l'interface d'utilisation graphique Xerox, cette licence couvrant également les licenciés de Sun qui mettent en place l'interface d'utilisation graphique OPEN LOOK et qui en outre se conforment aux licences écrites de Sun.

Sun Microsystems, Inc. a les droits de propriété intellectuels relatants à la technologie incorporée dans ce produit. En particulier, et sans la limitation, ces droits de propriété intellectuels peuvent inclure un ou plus des brevets américains énumérés à <http://www.sun.com/patents> et un ou les brevets plus supplémentaires ou les applications de brevet en attente dans les Etats - Unis et les autres pays.

LA DOCUMENTATION EST FOURNIE "EN L'ETAT" ET TOUTES AUTRES CONDITIONS, DECLARATIONS ET GARANTIES EXPRESSES OU TACITES SONT FORMELLEMENT EXCLUES, DANS LA MESURE AUTORISEE PAR LA LOI APPLICABLE, Y COMPRIS NOTAMMENT TOUTE GARANTIE IMPLICITE RELATIVE A LA QUALITE MARCHANDE, A L'APTITUDE A UNE UTILISATION PARTICULIERE OU A L'ABSENCE DE CONTREFAÇON.



# Contents

---

- 1. Preparing for Installation 1-1**
  - 1.1 Unpacking the Enterprise 6500/5500 Cabinet Systems 1-2
    - 1.1.1 Shipping and Storing the System 1-4
  - 1.2 Preparing the Electrical Circuits 1-5
    - 1.2.1 Enterprise 6500/5500 Cabinet Systems 1-5
    - 1.2.2 Enterprise 4500 System 1-6
  - 1.3 Preparing the Air Conditioning 1-6
  - 1.4 Preparing the Ethernet Network 1-7
  - 1.5 Preparing the Area 1-9
    - 1.5.1 Enterprise 6500/5500 Cabinet Systems 1-9
    - 1.5.2 Enterprise 4500 System 1-10
  - 1.6 Preparing the Enterprise 6500/5500 Cabinet Systems 1-11
    - 1.6.1 Moving the Server 1-11
    - 1.6.2 Adjusting the Levelling Pads 1-12
  - 1.7 Adding Storage Devices 1-14
  - 1.8 Preparing the Enterprise 4500 System 1-15
  - 1.9 Using the User Naming Area 1-15
- 2. Cabling the System 2-1**
  - 2.1 Preparing the System for Cabling 2-1

- 2.2 Removing and Replacing the Enterprise 6500/5500 Cabinet Rear Door and Kick Panel 2-1
  - 2.2.1 Removing the Rear Door and Kick Panel 2-1
  - 2.2.2 Replacing the Rear Door and Kick Panel 2-3
- 2.3 Connecting the Power Cords 2-3
  - 2.3.1 Enterprise 6500/5500 System Power Cord 2-3
  - 2.3.2 Enterprise 4500 System Power Cord 2-4
- 2.4 Connecting the Network Cable to the System 2-5
- 2.5 Connecting the System to the Network 2-6
- 2.6 Connecting an ASCII Terminal 2-9
- 2.7 Connecting the Fiber Cable to the I/O+ Board 2-10
- 2.8 Connecting External SCSI Devices 2-12
  
- 3. Powering the System On and Off 3-1**
  - 3.1 Using JumpStart Automatic Installation 3-1
  - 3.2 Enterprise 6500/5500 Cabinet Systems 3-2
    - 3.2.1 Powering On the System 3-2
    - 3.2.2 Reading Boot Messages 3-6
    - 3.2.3 Interpreting Status LED Patterns 3-7
    - 3.2.4 Powering Off the System 3-8
  - 3.3 Enterprise 4500 System 3-9
    - 3.3.1 Powering On the System 3-9
    - 3.3.2 Reading Boot Messages 3-12
    - 3.3.3 Interpreting Status LED Patterns 3-13
    - 3.3.4 Powering Off the System 3-14
  - 3.4 Failure of Network Communications 3-15
  
- 4. Software 4-1**
  - 4.1 Operating System Software and Patches 4-1
  - 4.2 Sun™ Management Center Software 4-1
  - 4.3 Dynamic Reconfiguration for Hot-Pluggable System Boards 4-2

4.4 CPU Over-Temperature Safeguard (COS) 4-2

**A. Regulatory Agency Compliance Statements A-1**

A.1 FCC Class A Notice A-2

A.2 FCC Class B Notice A-3

A.3 DOC Class A Notice – Avis DOC, Classe A A-4

A.4 DOC Class B Notice – Avis DOC, Classe B A-4

A.5 BSMI Class A Notice A-5



# Figures

---

- FIGURE 1-1 Enterprise 6500/5500/4500 Systems 1-1
- FIGURE 1-2 Attaching the Ramps to the Shipping Pallet 1-4
- FIGURE 1-3 Types of Network Cables Used 1-7
- FIGURE 1-4 Example of 10/100BASE-T (Twisted-Pair) Ethernet 1-8
- FIGURE 1-5 Cabinet Server Access Areas — Top View 1-9
- FIGURE 1-6 Standalone Server Access Areas — Top View 1-10
- FIGURE 1-7 Moving the Server Safely Down the Ramps 1-12
- FIGURE 1-8 Levelling Pad 1-13
- FIGURE 1-9 Stabilizer Bar 1-14
- FIGURE 2-1 Key Switch Standby Position 2-2
- FIGURE 2-2 AC Power Sequencer Power Switch 2-2
- FIGURE 2-3 Key Switch Positions 2-4
- FIGURE 2-4 AC Power Switch and Power Receptacle 2-4
- FIGURE 2-5 Network Cable 2-5
- FIGURE 2-6 10/100BASE-T Ethernet Connection 2-6
- FIGURE 2-7 Connecting Twisted Pair Ethernet to N-type Coaxial Cable 2-7
- FIGURE 2-8 Ethernet Cabling Length — Example Using N-type Cable 2-8
- FIGURE 2-9 Clock+ Board 2-9
- FIGURE 2-10 Fiber Cable and Fiber Card Connectors and Ports on the I/O+ Board 2-11

- FIGURE 2-11 Onboard Single-ended SCSI Connector on the I/O+ Board 2-13
- FIGURE 3-1 Key Switch on the Enterprise 6500/5500 3-3
- FIGURE 3-2 Switches on the AC Power Sequencer 3-4
- FIGURE 3-3 Reset Switches on the Clock+ Board 3-6
- FIGURE 3-4 System Status LEDs (Cabinet Server) 3-7
- FIGURE 3-5 Key Switch on the Enterprise 4500 3-10
- FIGURE 3-6 AC Power Switch on the Enterprise 4500 3-11
- FIGURE 3-7 Reset Switches on the Clock+ Board 3-12
- FIGURE 3-8 System Status LEDs (Standalone Server) 3-13



# Tables

---

|           |                                                       |      |
|-----------|-------------------------------------------------------|------|
| TABLE 2-1 | Ethernet Cabling Limitations for N-type Coaxial Cable | 2-8  |
| TABLE 2-2 | Internal SCSI Lengths (Approximate)                   | 2-12 |
| TABLE 3-1 | Key Switch Positions                                  | 3-3  |
| TABLE 3-2 | Front Panel LED Status Indicators                     | 3-7  |
| TABLE 3-3 | Key Switch Positions                                  | 3-10 |
| TABLE 3-4 | Front Panel LED Status Indicators                     | 3-13 |



# Preface

---

The *Sun Enterprise™ 6500/5500/4500 Systems Installation Guide* provides installation instructions for factory-configured 16-slot and 8-slot cabinet and standalone server systems. These instructions are for an experienced system administrator with networking knowledge.

---

## UNIX Commands

This document may not contain information on basic UNIX® commands and procedures such as shutting down the system, booting the system, and configuring devices.

See one or more of the following for this information:

- *Solaris Operating Environment Handbook for SMCC Peripherals* which contains Solaris Operating Environment software commands
- AnswerBook2™ online documentation for the Solaris operating environment software environment
- Other software documentation that you received with your system

---

# Typographic Conventions

TABLE P-1 Typographic Conventions

| Typeface         | Meaning                                                                  | Examples                                                                                                                          |
|------------------|--------------------------------------------------------------------------|-----------------------------------------------------------------------------------------------------------------------------------|
| AaBbCc123        | The names of commands, files, and directories; on-screen computer output | Edit your <code>.login</code> file.<br>Use <code>ls -a</code> to list all files.<br>% You have mail.                              |
| <b>AaBbCc123</b> | What you type, when contrasted with on-screen computer output            | % <b>su</b><br>Password:                                                                                                          |
| <i>AaBbCc123</i> | Book titles, new words or terms, words to be emphasized                  | Read Chapter 6 in the <i>User's Guide</i> .<br>These are called <i>class</i> options.<br>You <i>must</i> be superuser to do this. |
|                  | Command-line variable; replace with a real name or value                 | To delete a file, type <code>rm filename</code> .                                                                                 |

---

# Shell Prompts

TABLE P-2 Shell Prompts

| Shell                                 | Prompt                |
|---------------------------------------|-----------------------|
| C shell                               | <i>machine_name</i> % |
| C shell superuser                     | <i>machine_name</i> # |
| Bourne shell and Korn shell           | \$                    |
| Bourne shell and Korn shell superuser | #                     |

---

# Related Documentation

The following documents contain topics that relate to the information in the *Sun Enterprise 6500/5500/4500 Systems Installation Guide*.

TABLE P-3 Related Documents

| Application                                          | Title                                                                                                   | Part Number |
|------------------------------------------------------|---------------------------------------------------------------------------------------------------------|-------------|
| Service                                              | <i>Sun Enterprise 6500/5500/4500 Systems Reference Manual</i>                                           | 805-2632    |
| Software                                             | <i>SMCC SPARC Hardware Platform Guide</i>                                                               | 802-5341    |
|                                                      | <i>Sun Management Center User's Guide</i>                                                               | 802-5355    |
| Options                                              | <i>Dynamic Reconfiguration User's Guide for Sun Enterprise 6x00/5x00/4x00/3x00 Systems</i>              | 805-3530    |
|                                                      | <i>Sun Enterprise Expansion Cabinet Installation and Service Manual</i>                                 | 805-4009    |
|                                                      | <i>Sun Enterprise 6/5/4/3x00 Board Installation Guide</i>                                               | 805-4007    |
|                                                      | <i>4 Mbyte UltraSPARC II Installation Guide</i>                                                         | 805-1150    |
|                                                      | <i>Sun Enterprise xx00 Systems CPU Module Installation for 400-MHz 8-Mbyte CPU Module</i>               | 806-0960    |
|                                                      | <i>Sun Enterprise xx00 Systems CPU Module Installation for 464-MHz 8-Mbyte CPU Module</i>               | 816-1994    |
|                                                      | <i>SBus+ and Graphics+ I/O Boards (100 MB/sec Fibre Channels) for Sun Enterprise 6/5/4/3x00 Systems</i> | 805-2704    |
|                                                      | <i>PCI+ I/O Board Installation and Component Replacement for Sun Enterprise 6/5/4/3x00 Systems</i>      | 805-1372    |
|                                                      | <i>Sun Enterprise Systems Peripheral Power Supply Installation Guide</i>                                | 802-5033    |
|                                                      | <i>Sun Enterprise Systems Power/Cooling Module Installation Guide</i>                                   | 802-6244    |
|                                                      | <i>Sun Enterprise Cabinet Floor Brackets Mounting Guide</i>                                             | 802-7543    |
| <i>Sun Enterprise Caster Base Installation Guide</i> | 802-5034                                                                                                |             |
|                                                      | <i>Sun Enterprise 6x00/5x00/4x00/3x00 Capacity-on-Demand (COD) Building Blocks User's Guide</i>         | 806-4592    |
|                                                      | <i>Rackmount Placement Matrix web site at docs.sun.com</i>                                              |             |

---

## Accessing Sun Documentation Online

A broad selection of Sun system documentation is located at the following web site:

<http://www.sun.com/products-n-solutions/hardware/docs>

To locate the most current documentation at this site, select a product category. The documents at that location may include updated information that did not ship with your product, such as product notes, release notes, late-breaking news, or later revisions of manuals.

---

## Ordering Sun Documentation

Fatbrain.com, an Internet professional bookstore, stocks select product documentation from Sun Microsystems, Inc.

For a list of documents and how to order them, visit the Sun Documentation Center on Fatbrain.com at:

<http://www.fatbrain.com/documentation/sun>

---

## Sun Welcomes Your Comments

Sun is interested in improving its documentation and welcomes your comments and suggestions. You can email your comments to Sun at:

[docfeedback@sun.com](mailto:docfeedback@sun.com)

Please include the part number (805-2631-10) of your document in the subject line of your email.

---

# Notes, Cautions, and Warnings



---

**Caution** – This equipment contains lethal voltage. Accidental contact with centerplane, card cage, and drive areas can result in serious injury or death.

---



---

**Caution** – Improper handling by unqualified personnel can cause serious damage to this equipment. Unqualified personnel who tamper with this equipment may be held liable for any resultant damage to the equipment.

---

Individuals who remove any outer panels or open covers to access this equipment must observe all safety precautions and ensure compliance with skill level requirements, certification, and all applicable local and national laws.

Procedures contained in this document must be performed by qualified service-trained maintenance providers.

---

**Note** – Before you begin, carefully read each of the procedures in this manual. If you have not performed similar operations on comparable equipment, *do not attempt* to perform these procedures.

---

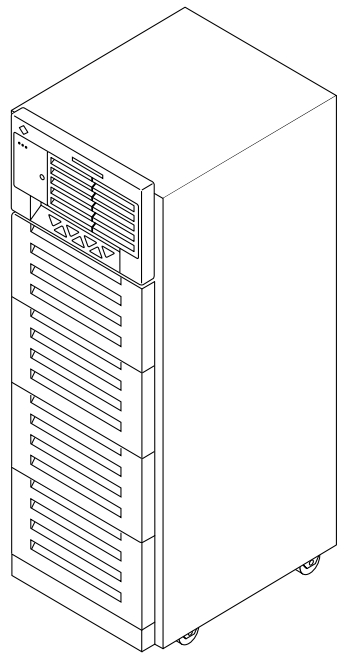




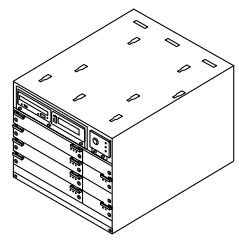
# Preparing for Installation

This chapter describes how to prepare your site for these systems:

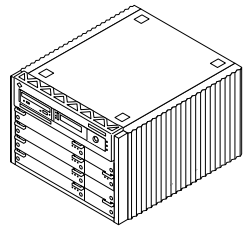
- Sun Enterprise 6500 system—16-slot cabinet server
- Sun Enterprise 5500 system— 8-slot cabinet server
- Sun Enterprise 4500 system— 8-slot standalone server
- Sun Enterprise 4500 system— 8-slot Rack-Ready server



Enterprise 6500 system (16 slots)  
Enterprise 5500 system (8 slots)



Enterprise Rack-Ready 4500 system  
(8 slots)



Enterprise 4500 standalone enclosure (8 slots)

**FIGURE 1-1** Enterprise 6500/5500/4500 Systems

The tasks for installing the systems are:

- Unpacking the cabinet server on page 1-2
- Preparing the servers on page 1-6
- Preparing the site on page 1-9
- Cabling on page 2-1
- Powering on on page 3-1
- Using the software on page 4-1

---

**Note** – For information about physical specifications, electrical specifications, and environmental requirements, refer to Appendix A, “Specifications,” in the *Sun Enterprise 6500/5500/4500 Systems Manual*.

---

---

## 1.1 Unpacking the Enterprise 6500/5500 Cabinet Systems

---

**Note** – Inspect all shipping cartons for evidence of physical damage. If a shipping carton is damaged, request that the carrier’s agent be present when the carton is opened. Keep all contents and packing material for the agent’s inspection.

---

If you have a standalone Enterprise 4500 system, or the cabinet is already unpacked, go to Section 1.2 “Preparing the Electrical Circuits.”

---

**Note** – Any unpacking instructions printed on the outside of the shipping carton take precedence over instructions in this section.

---



---

**Caution** – If your cabinet system is on a wooden pallet, extend the cabinet levelling pads so that the cabinet cannot roll. If the original shipping pallet has side rails, it is not necessary to lower the levelling pads.

---

1. **Cut the plastic or metal straps that are around the shipping container and lift off the corrugated top.**

Store the shipping materials for future shipments.

2. **Remove the sides of the container.**

The container is held together by six plastic clips. To unlock a clip, press the two inner tabs together and pull out the entire clip.

3. Remove inner packing materials from the top and corners of the cabinet.
4. At the front of the pallet, lift the Velcro™ strip at each end of the wooden bar to detach the bar, then set it aside.
5. Slide out the two wooden ramps from under the cabinet.
6. Attach the wooden ramps to the pallet using the Velcro strip that is attached to each ramp.

Ensure both wheel guides (wooden strips) are to the outside. See FIGURE 1-2.



---

**Caution** – Three or more people are needed to move the server cabinet safely. Two people must push at the front of the cabinet to control the movement of the cabinet.

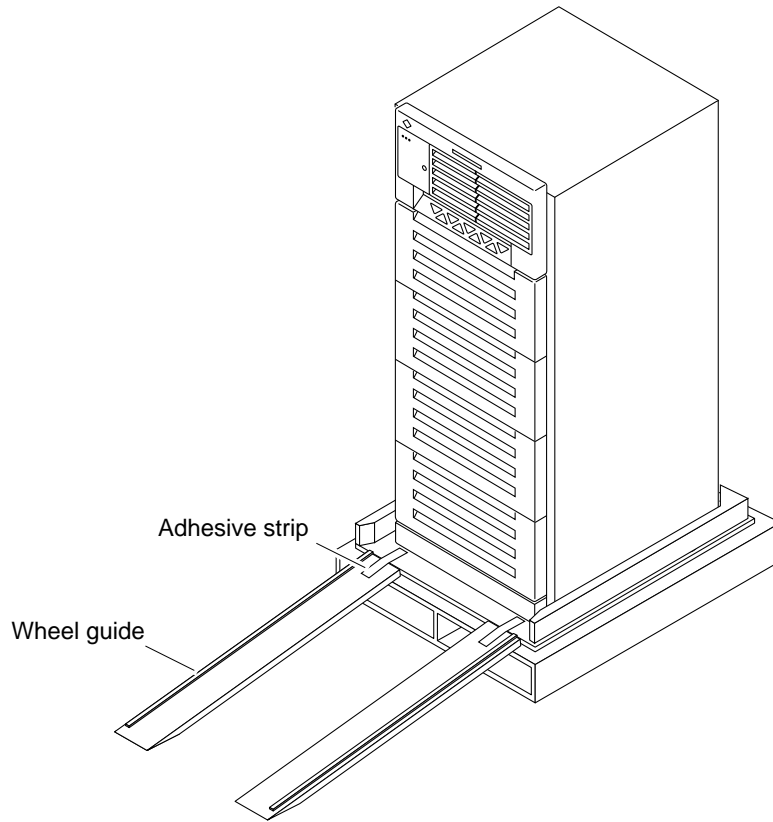
---



---

**Caution** – To prevent the cabinet from tipping over, push or pull only on the upper half of the cabinet.

---



**FIGURE 1-2** Attaching the Ramps to the Shipping Pallet

## 1.1.1 Shipping and Storing the System

Save the original shipping containers and packing materials in case you need to store or ship your system.

If you cannot store the shipping materials, recycle or dispose of the materials properly. Consult your local recycling authority for information.

---

## 1.2 Preparing the Electrical Circuits

In planning where to place your equipment, remember that each of the following items requires access (by way of a separate power cord) to a power outlet:

- Sun Enterprise 6500/5500/4500 system
- External peripherals
- Monitor used for diagnostics

### 1.2.1 Enterprise 6500/5500 Cabinet Systems

The 16-slot and 8-slot system cabinets require a 30A circuit and a detachable cable.

The equipment relies on the protective device in the building installation, thus it requires a 30A circuit breaker.



---

**Caution** – Do not attach other electrical equipment to the server AC circuit; server reliability may be affected.

---

---

**Note** – If the appropriate electrical receptacle is not available in your country, the connect may be removed from the cord. The cord can then be permanently connected to a dedicated branch circuit by a qualified electrician. Check local electrical codes for proper installation requirements.

---



---

**Caution** – The system cabinet has a high leakage current to ground. Strictly observe the following instructions to reduce the risk of electric shock.

---

The system requires an electrical circuit that is grounded to earth. The UL1950, CSA950, and EN60950 specify:

An insulated earthing conductor that is identical in size, insulation material, and thickness to the earthed and unearthed branch-circuit supply conductors, except that it is green with or without one or more yellow stripes, is to be installed as part of the branch circuit that supplies the unit or system. The earthing conductor described is to be connected to earth at the service equipment or, if supplied by a separately derived system, at the supply transformer or motor-generator set.

The attachment-plug receptacles in the vicinity of the unit or system are all to be of an earthing type, and the earthing conductors serving these receptacles are to be connected to earth at the service equipment.<sup>1</sup>

The power cord provides a ground path that will protect the drives and boards in the cabinet from static electricity damage.



---

**Caution** – Do not make mechanical or electrical modifications to the server cabinet. Sun Microsystems® is not responsible for the regulatory compliance if the cabinet is modified.

---

## 1.2.2 Enterprise 4500 System

The 8-slot Enterprise 4500 system uses nominal input voltages of 100-120 VAC or 200-240 VAC. Sun products are designed to work with single-phase power systems having a grounded neutral conductor.

To reduce the risk of electrical shock, do not connect Sun products into another type of power source. Contact your facilities manager or a qualified electrician if you are unsure what type of power is supplied to your building.

---

## 1.3 Preparing the Air Conditioning

For the most reliable system operation:

- The room should have sufficient air-conditioning capacity to support the cooling needs of the entire system.
- The air-conditioning system should have controls that prevent excessive temperature changes.

1. Information Technology Equipment — UL 1950, copyright 1989, 1991 by Underwriters Laboratories, Inc.

---

## 1.4 Preparing the Ethernet Network

The Enterprise 6500/5500/4500 systems follow the IEEE standard for 10/100BASE-T Ethernet (twisted-pair) or MII (Media Independent Interface).

Twisted-pair cables used with Sun Microsystems products have RJ-45 connectors that resemble the smaller RJ-11 connectors used for modular telephone cables. For twisted-pair cable length, see Chapter 2, TABLE 2-1 on page 2-8.

A MII to AUI converter cable, available from Sun, enables the 10/100 Mbps Ethernet interface to run over 10 Mbps coaxial Ethernet networks. Other MII Ethernet connectivity products are available from third parties.

FIGURE 1-3 and FIGURE 1-4 illustrate types of network cables and possible implementations of 10/100BASE-T Ethernet.

Set up the network using Sun or third-party components. To obtain the best results, read any applicable manufacturer instructions. Be aware that Sun Microsystems cannot guarantee the performance of any components that are not purchased from Sun.

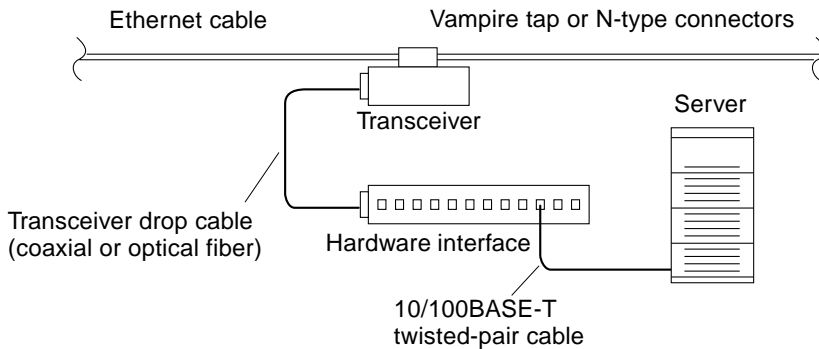
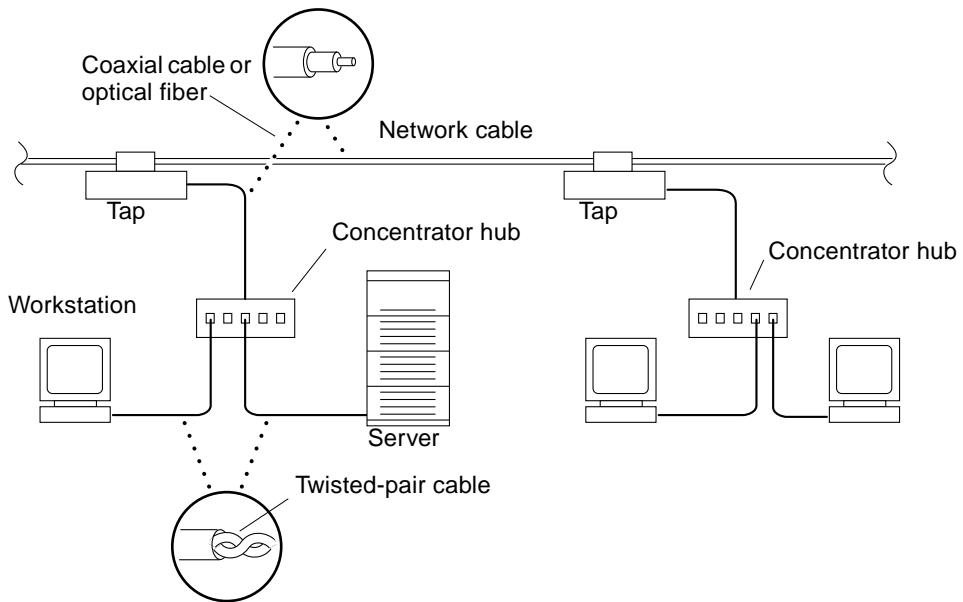


FIGURE 1-3 Types of Network Cables Used



**FIGURE 1-4** Example of 10/100BASE-T (Twisted-Pair) Ethernet

---

**Note** – Multiplexer boxes require a transceiver when used with the Ethernet applications described in this manual. Although these transceivers are compatible with Sun equipment, Sun Microsystems does not guarantee the performance of any component that was not purchased from Sun.

---

Many transceivers are compatible with both level-1 and level-2 Ethernet. To operate these transceivers with Sun equipment, set the device for level-2 operation following the manufacturer's instructions.

Sun equipment conforms to the Ethernet 10/100BASE-T standard, which states that the 10/100BASE-T Link Integrity Test function should always be enabled on both the host and the hub. If you have problems verifying connection between Sun equipment and your hub, verify that your hub also has the link test function enabled. See Section 3.4 "Failure of Network Communications," and refer to the manual provided with your hub.



---

## 1.5 Preparing the Area

### 1.5.1 Enterprise 6500/5500 Cabinet Systems

- Server cabinets require approximately 4 feet (120 cm) of space in front and 3 feet (90 cm) in back (FIGURE 1-5) for access by service personnel.
- Server and expansion cabinets can be placed next to each other, without space between them, since there are no side clearance requirements during operation. To access and remove side panels, however, allow approximately 1 foot (30 cm) of space on the sides.
- The server system (including expansion cabinets) should have a dedicated AC breaker panel. The server system should not share this breaker panel with other, unrelated equipment.
- Keep power and interface cables out of the way of foot traffic. Cables can be routed inside walls, floors, ceilings, or in protective channels. Interface cables should be routed away from motors and other sources of electric/magnetic or radio frequency interference.
- If the cabinet is installed on a raised floor, conditioned air should be directed to the bottom of each rack through perforated panels.
- Refer to the *Sun Microsystems Data Center Site Planning Guide, Data Centers' Best Practices* (805-5863) for more information on the recommended optimal operating environment.

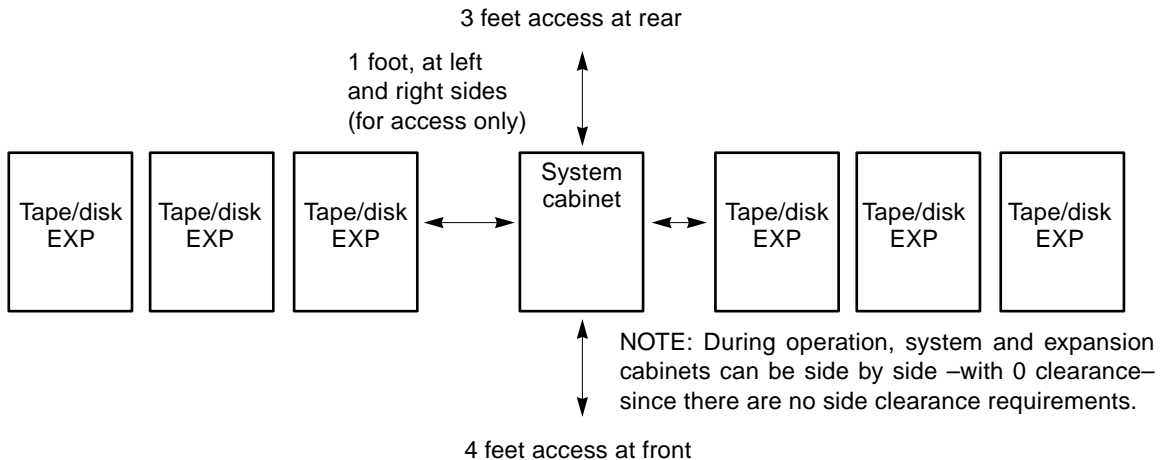


FIGURE 1-5 Cabinet Server Access Areas — Top View

## 1.5.2 Enterprise 4500 System

The Enterprise 4500 system is designed to sit on the floor, on a caster base, or on a desk or table.

---

**Note** – Do not stack multiple Enterprise 4500 systems directly on top of each other.

---

Follow these guidelines to prepare a location.

- The server unit requires approximately 1.5 feet (50 cm) of space in the front and back for access by service personnel (FIGURE 1-6).
- A minimum space of 6 inches (16 cm) is required on both sides of the server to afford adequate air flow.
- A minimum space of 3 feet (91 cm) is recommended to avoid exhaust air recirculation if systems are placed next to each other.



---

**Caution** – To avoid recirculating exhaust air from one system into another, do not put systems or peripherals side by side closer than 3 feet (91 cm).

---

- Keep power and interface cables clear of foot traffic. Route cables inside walls, under the floor, through the ceiling, or in protective channels. Route interface cables away from motors and other sources of magnetic or radio frequency interference.
- Refer to the *Sun Microsystems Data Center Site Planning Guide, Data Centers' Best Practices* (805-5863) or the *Thermal Guidelines for Mounting Sun Products in a Non-Sun Cabinet* (805-1454) for more information on the recommended optimal operating system environment.

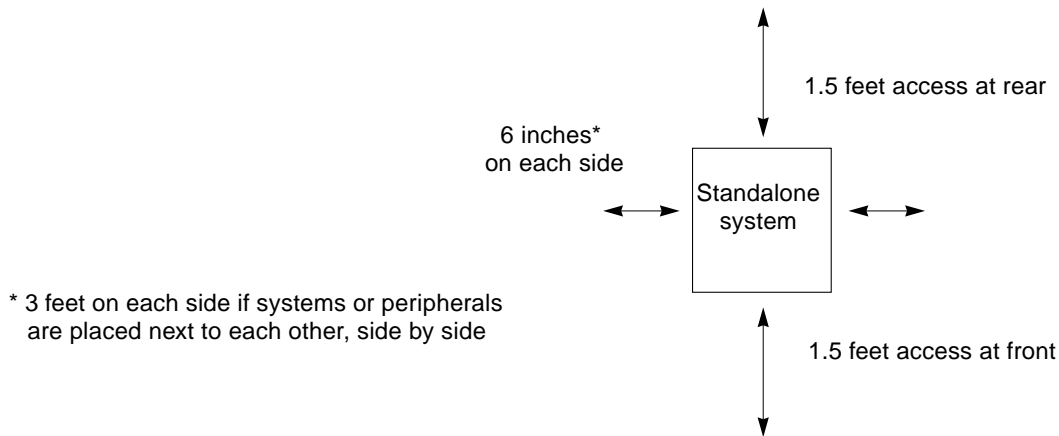


FIGURE 1-6 Standalone Server Access Areas — Top View

---

## 1.6 Preparing the Enterprise 6500/5500 Cabinet Systems

You need the following tools:

- No. 1 Phillips screwdriver
- Levelling wrench (packed inside the system cabinet)
- Front panel key (packed in a bag in the accessory box)

### 1.6.1 Moving the Server

The server weighs at least 835 pounds (375 kg). Observe the following precautions when moving the server.



---

**Caution** – Three or more people are needed to move the server cabinet safely. Two people must push at the front of the cabinet to control the movement of the cabinet (FIGURE 1-7).

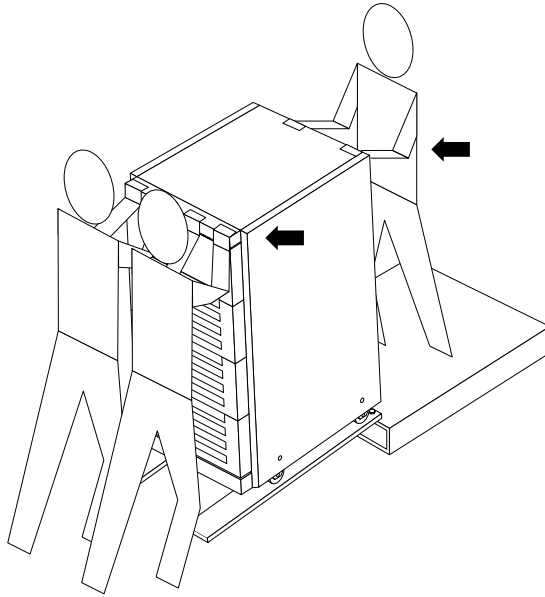
---



---

**Caution** – To prevent the cabinet from tipping over, push or pull only on the upper half of the cabinet.

---



**FIGURE 1-7** Moving the Server Safely Down the Ramps

## 1.6.2 Adjusting the Levelling Pads

After moving the cabinet to its operating location, adjust the levelling pads.

**1. Remove the levelling wrench from inside the server cabinet.**

The levelling wrench is attached to the cabinet frame by a reusable plastic strap. Press the plastic tab to unlock the plastic strap around the wrench, then slide part of the strap through the lock to loosen the wrench. Do not cut the strap.

**2. Fully extend the stabilizer bar (FIGURE 1-9) from the bottom of the cabinet.**

**3. Screw the two stabilizer bar levelling pads down until they are 1/8- to 1/4-inch (three to six millimeters) above the floor.**

Make sure both pads are at equal heights above the floor. This clearance allows an extended stabilizer bar to stop the cabinet if it should begin to tilt.

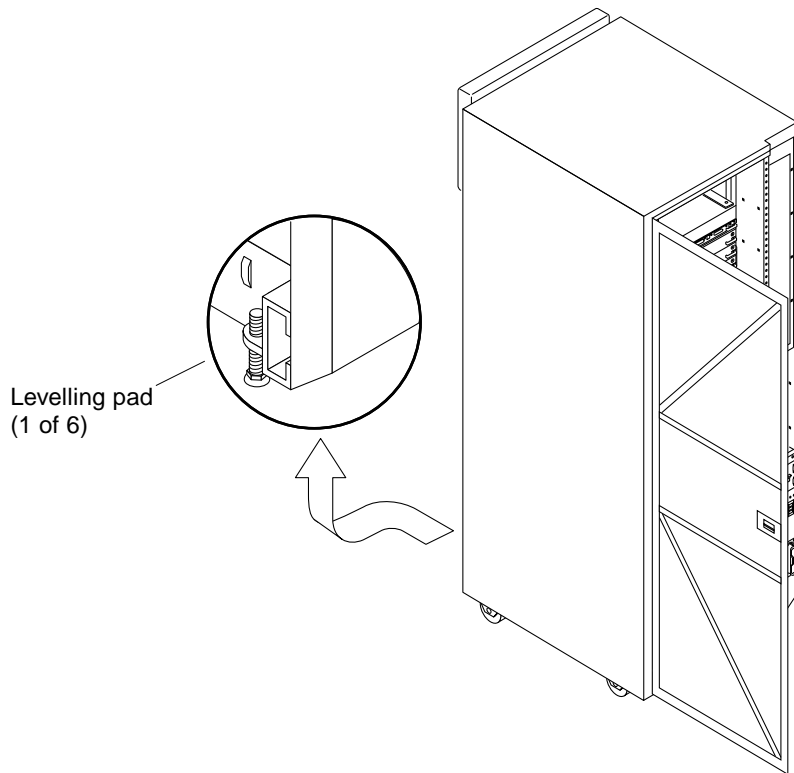


FIGURE 1-8 Levelling Pad

**4. Slide the stabilizer bar into the cabinet.**



---

**Caution** – Always extend the stabilizer bar before pulling the disk drive trays out for servicing.

---

**5. Adjust the four levelling pads on the cabinet frame. The four pads should press against the floor so that the cabinet does not move.**

To adjust levelling pads on the cabinet rear, you may have to remove the kick panel. Two captive screws attach the panel to the cabinet (FIGURE 1-8).

This completes the first part of the system installation.

**6. If you are unable to continue the installation at this time, secure the levelling wrench inside the cabinet and close the rear door.**

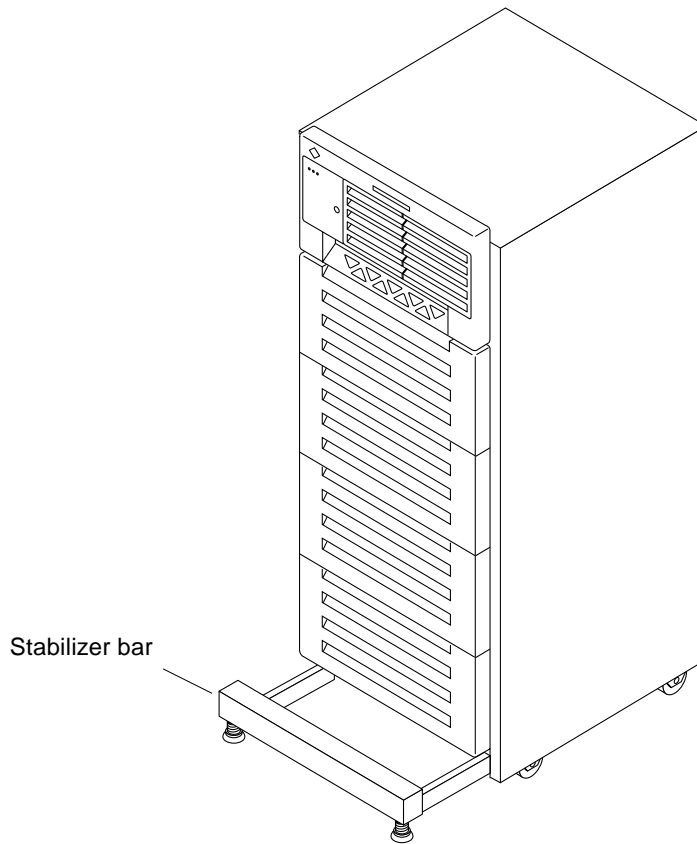


FIGURE 1-9 Stabilizer Bar

---

## 1.7 Adding Storage Devices

For hole numbers for mounting screws on Sun disk arrays and other storage trays and devices, refer to the *Rackmount Placement Matrix* at the [docs.sun.com](http://docs.sun.com) web site.

Unless otherwise specified in the *Rackmount Placement Matrix*, mount the heaviest subassemblies at the bottom of the racks to minimize the effects of earthquakes.

Refer to the installation guide for the storage device for additional instructions.

---

## 1.8 Preparing the Enterprise 4500 System

---



**Caution** – The server weighs more than 150 lbs (68 kg). Two people are needed to lift the server safely.

---

You need the following tools:

- No. 1 Phillips screwdriver
- Front panel key (packed in a bag in the accessory box)

Follow the graphic instructions on the shipping container to remove the server from the container. The front panel key and the power cord are in the shipping container.

---

## 1.9 Using the User Naming Area

The front of the server has an area for a label where you can list the system name or other information. The document set includes gray paper that is suitable for a label.

To add a label to the front of the system:

**1. Remove the top front bezel.**

Refer to Chapter 12, “Preparing for Service,” in the *Sun Enterprise 6500/5500/4500 Systems Reference Manual*.

- Enterprise 6500/5500 systems: refer to Section 12.3.3, “Top Front Bezel.”
- Enterprise 4500 system: refer to Section 12.4.1, “Top Bezel.”

**2. Snap out the narrow transparent window.**

From the rear side of the bezel, gently squeeze the top and bottom edges together as you simultaneously push the transparent window out through the front of the bezel.

**3. Choose the information that will appear on the label.**

Common items include the name of the server, IP address, name and contact information for the system administrator, and the group of users that the machine services.

**4. Use the colored paper provided with the system to make a label.**

Print or write the desired information and cut the label to fit the transparent window. The label should be 0.5 in x 5.9 in (12 mm x 150 mm).

- 5. Place the label inside the window, and snap the window back in place from the front side of the bezel.**



# Cabling the System

---

This chapter contains procedures for connecting the power cord to the AC power supply and instructions for cabling the system to the network.

---

## 2.1 Preparing the System for Cabling

Make sure the server is in an area that allows access to both the front and rear of the chassis. This site should conform to site preparation guidelines and specifications covered in Chapter 1.

---


## 2.2 Removing and Replacing the Enterprise 6500/5500 Cabinet Rear Door and Kick Panel

The rear door and kick panel can be removed to facilitate the installation of power and interface cables.

### 2.2.1 Removing the Rear Door and Kick Panel

1. **Locate the plastic key in the accessory box.**
2. **Open the door on the left side of the top bezel to access the key switch.**

The door opens when you press on the recessed area.

3. Turn the system key switch to  (the Standby position) (FIGURE 2-1).

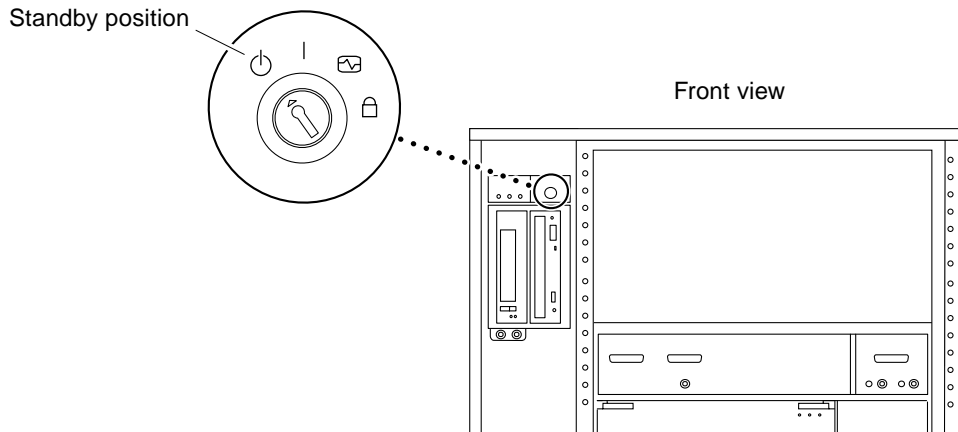


FIGURE 2-1 Key Switch Standby Position

4. Ensure that the AC power sequencer switch (FIGURE 2-2) is set to Off.

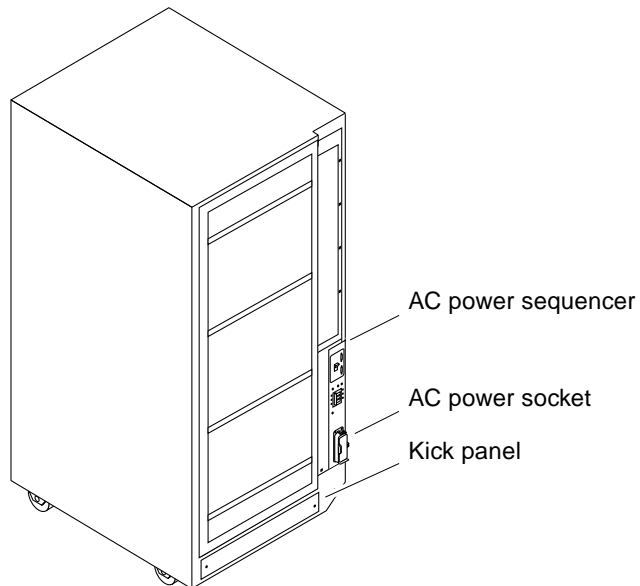


FIGURE 2-2 AC Power Sequencer Power Switch

5. Open the back door and take out the AC power cord that is coiled inside the server cabinet.

6. **If you are installing or rearranging interface cables, remove the kick panel (FIGURE 2-2) by loosening the two screws on the kick panel.**

To protect and organize the interface cables, place the cables behind the kick panel.

7. **If it is necessary to remove the rear door, pull the hinge pins out of the hinges and lift the door off.**

## 2.2.2 Replacing the Rear Door and Kick Panel

1. **If you removed the panel, secure the kick panel to the cabinet (FIGURE 2-2).**

Interface cables should be placed between the bottom panel and the kick panel.

2. **Place the rear door on the hinges on the cabinet.**
3. **Insert the hinge pins in the hinges.**

---

## 2.3 Connecting the Power Cords

### 2.3.1 Enterprise 6500/5500 System Power Cord

1. **Open the AC socket cover (FIGURE 2-2) on the AC power sequencer and connect the AC power cord.**
2. **Connect the other end of the AC power cord into a grounded wall outlet.**

The outlet must be a 200-240 VAC 30A circuit, dedicated solely to the server cabinet, as described in the site preparation instructions in Chapter 1.



---

**Caution** – Risk of electric shock. Do NOT turn on AC power to the unit yet.

---

3. **Continue with Section 2.4 through Section 2.7 for further cabling instructions.**

## 2.3.2 Enterprise 4500 System Power Cord

1. Insert the key provided with your system into the front panel key switch. Turn it to the Standby position (fully counterclockwise, FIGURE 2-3).

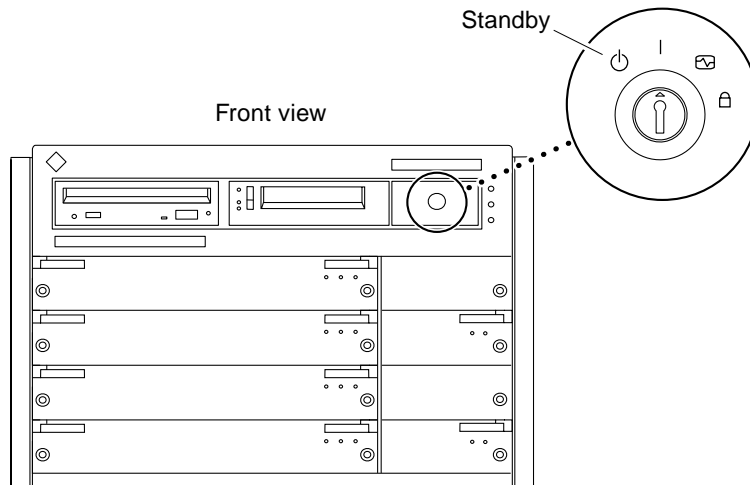


FIGURE 2-3 Key Switch Positions

2. Turn the AC power switch (FIGURE 2-4) to Off.

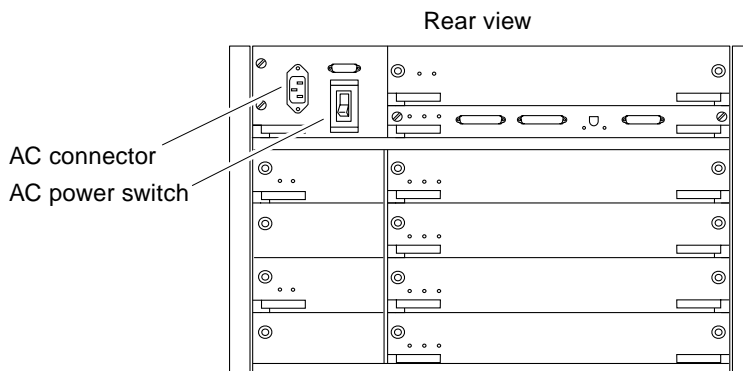


FIGURE 2-4 AC Power Switch and Power Receptacle

3. Connect the power cord to the AC connector.
4. Connect the power cord to a grounded wall outlet.  
The outlet must be a 100-240 VAC 15A circuit.



---

**Caution** – Do NOT turn on power to the unit yet.

---

5. Continue with Section 2.4 through Section 2.7 for further cabling instructions.

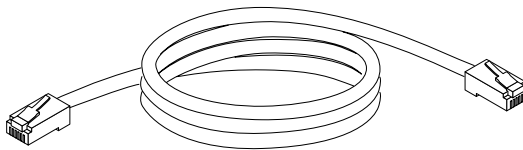
---

## 2.4 Connecting the Network Cable to the System

The locations specified in the following instructions assume the use of twisted-pair.

1. Locate the network cable.

FIGURE 2-5 shows the twisted-pair Ethernet network cable.



**FIGURE 2-5** Network Cable

2. Connect one end of the network cable into the RJ-45 twisted-pair network port.

For 10/100BASE-T Ethernet, the default interface port is the onboard connector on the I/O+ board in slot 1. See FIGURE 2-6.

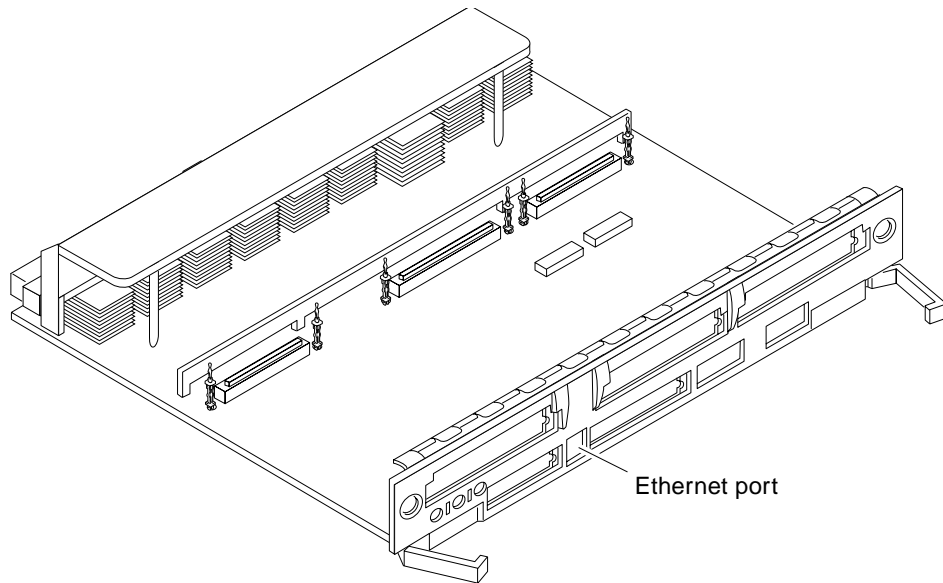


FIGURE 2-6 10/100BASE-T Ethernet Connection

3. For Enterprise 6500/5500 systems only: route the cable down along the right mounting rail of the chassis.  
Use tie wraps to secure the cable to the rail.

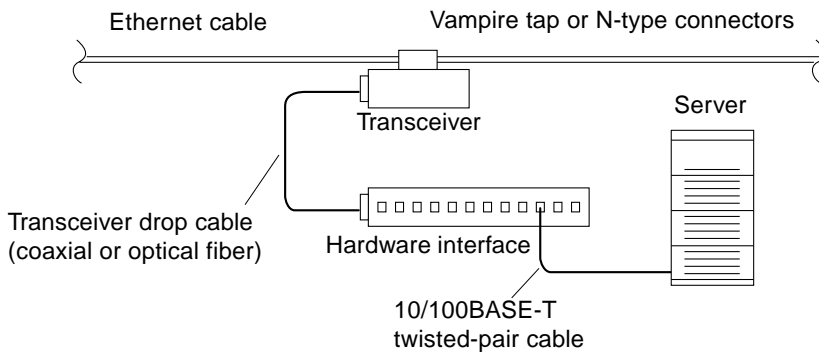
---

## 2.5 Connecting the System to the Network

1. Connect the network cable to a twisted-pair-to-transceiver interface box.
2. Connect the interface box with an appropriate cable to a network transceiver.  
FIGURE 2-7 shows a typical arrangement for connecting the system to an Ethernet network.
3. For Ethernet cables, determine if the cable has N-type screw-on connectors at the ends.
  - If the Ethernet cable lacks N-type connectors at the ends, use a “vampire” tap to connect the cable to the transceiver (FIGURE 2-7). To connect the cable to the transceiver, use instructions provided with the “vampire” tap.
  - If the Ethernet cable has N-type connectors, connect the Ethernet cable to the transceiver.

- a. **Screw the Ethernet coaxial cable into one of the round screw-on type connectors on the transceiver.**  
Use either one of the transceiver connectors.
  - b. **Screw the other Ethernet coaxial cable into the other round screw-on type connector on the transceiver.**
4. **Determine if a terminator should be installed.**  
TABLE 2-1 lists the cabling limitations for Ethernet.
  5. **If termination is required, install a 50-ohm terminator in the unused transceiver N connector or at the end of the coaxial cable. Use a female double N-type connector.**

FIGURE 2-7 shows the elements used in the installation process.



**FIGURE 2-7** Connecting Twisted Pair Ethernet to N-type Coaxial Cable

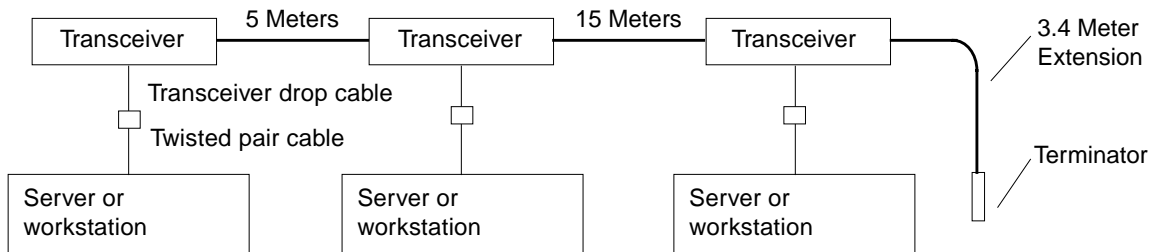
TABLE 2-1 lists the cabling limitations for Ethernet.

**TABLE 2-1** Ethernet Cabling Limitations for N-type Coaxial Cable

| Cable Segment                                     | Length in Meters   |
|---------------------------------------------------|--------------------|
| Allowed contiguous length of cable segments       | 23.4               |
|                                                   | 70.2               |
|                                                   | 117.0              |
|                                                   | 500.0 <sup>1</sup> |
| Distance between transceivers (multiples-of)      | 2.5 <sup>2</sup>   |
| Minimum length of Ethernet coaxial cable segments | 23.4               |
| Maximum length of transceiver “drop” cable        | 50.0               |
| Minimum length of twisted pair cable              | no minimum         |
| Maximum length of twisted pair cable              | 110.               |

1. Finite lengths (as constrained by transmission line phenomena). Minimum length = 23.4M; maximum = 500M. If cable falls shorter than one of these values, add cable to achieve next-highest value.
2. Transceivers are placed at intervals of 2.5 meters, or multiples of 2.5 meters along the Ethernet cable.  
Example: transceivers are connected 2.5 meters apart, not 2.0 meters.  
Example: transceivers are connected 15 meters apart (6 multiples of 2.5 meters), not 14.0 meters.

FIGURE 2-8 shows an example of a typical network setup. The Sun Enterprise 6500/5500/4500 systems can be any server shown in this figure.



Note: 5 Meters + 15 Meters + 3.4 Meter Extension = 23.4 Meters minimum length allowed.

**FIGURE 2-8** Ethernet Cabling Length — Example Using N-type Cable



---

**Note** – Sun equipment conforms to the Ethernet 10/100BASE-T standard, which states that the 10/100BASE-T Link Integrity Test function should always be enabled on both the host and the hub. If you have problems verifying connection between Sun equipment and your hub, verify that your hub also has the link test function enabled. See Section 3.4 “Failure of Network Communications,” and refer to the manual provided with your hub for more information about the Link Integrity Test function.

---

## 2.6 Connecting an ASCII Terminal

An ASCII terminal (or workstation) can be attached to the server to display diagnostic messages produced by the firmware (power-on self-test/POST or OpenBoot™ PROM/OBP) program. A terminal is not required for normal server operations, so it may be necessary to locate a terminal to connect to the server.

1. **Connect the terminal cable into serial port A on the clock+ board (FIGURE 2-9).**

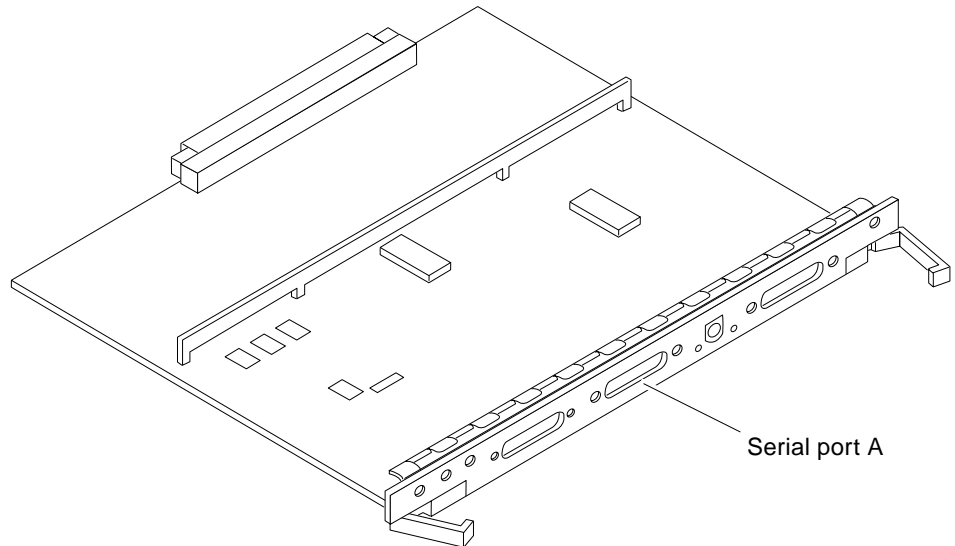


FIGURE 2-9 Clock+ Board

2. **For Enterprise 6500/5500 systems only: route the terminal cable from the clock+ board down along the right mounting rail of the cabinet.**  
Use tie wraps to secure the terminal cable to the mounting rail.

3. Connect the terminal power cord into an AC wall outlet.

4. Configure the ASCII terminal as follows:

- 9600 bps
- 1 stop bit
- 8 data bits
- Parity off
- Full duplex

Refer to the instruction manual shipped with the terminal for specific configuration instructions.

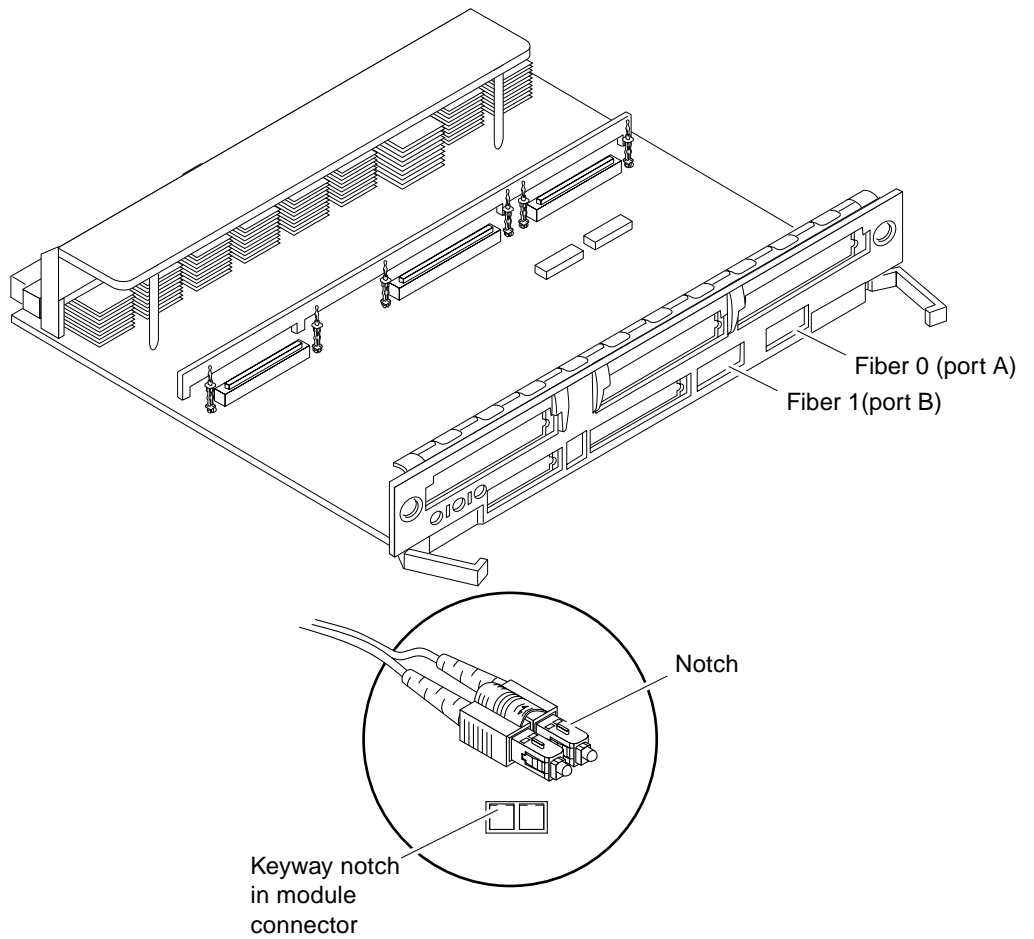
---

**Note** – The setup parameters listed in Step 4 may differ from the setup at the customer site. These parameters can be changed in the NVRAM. Refer to the `set-defaults` and `printenv` commands in the *OpenBoot Command Reference* manual, part number 802-3242.

---

## 2.7 Connecting the Fiber Cable to the I/O+ Board

1. Remove the two plastic caps that cover the cable connector on the GBIC module.
2. Remove the single plastic cap covering the ends of the fiber cable.
3. Connect the fiber cable to the GBIC module installed on the I/O+ board.  
Align the notch in the cable connector (FIGURE 2-10) with the key notch in the module connector.
4. Connect the other end of the fiber cable to the GBIC connector on the rear panel of the SPARCstorage™ Array (or other storage device with fiber optics interface).  
Align the notch in the cable connector with the notch in the connector on the storage device rear panel.



**FIGURE 2-10** Fiber Cable and Fiber Card Connectors and Ports on the I/O+ Board

---

## 2.8 Connecting External SCSI Devices

External SCSI-2 devices connect to your system through the built-in single-ended Fast/Wide SCSI-2 port on I/O+ boards (except for the board in slot 1), or through FSBE/S, DSBE/S, SWIS/S, or DWIS/S SBus cards installed on I/O+ boards.

---

**Note** – The onboard SCSI-2 bus on the I/O+ board in slot 1 controls internal media tray devices. Therefore, the external SCSI connector on the I/O+ board in slot 1 must always have a terminator installed.

---

---

**Note** – The maximum combined length for a string of SCSI cables is 6 meters for non-differential cables. For differential SCSI cables, the maximum is 25 meters. When calculating the total length of a SCSI string, include external cables, internal cables, and printed traces. TABLE 2-2 lists internal measurements for the Enterprise servers.

---

**TABLE 2-2** Internal SCSI Lengths (Approximate)

| Location               | Internal Length | Comments                                            |
|------------------------|-----------------|-----------------------------------------------------|
| Enterprise 6500 slot 1 | 3.7 meters      | Includes I/O+ board traces and cables to media tray |
| Enterprise 5500 slot 1 | 3.7 meters      | Includes I/O+ board traces and cables to media tray |
| Enterprise 4500 slot 1 | 1.4 meters      | Includes I/O+ board traces and cables to media tray |
| SBus+ I/O board        | 0.43 meter      | Includes board traces only                          |
| Graphics+ I/O board    | 0.43 meter      | Includes board traces only                          |
| Disk board             | 0.64 meter      | Includes board traces only                          |

For information on device addressing, priorities, and slot assignments, refer to Appendix D, “Rules for System Configuration” in the *Sun Enterprise 6500/5500/4500 Systems Reference Manual*, part number 805-2632.



---

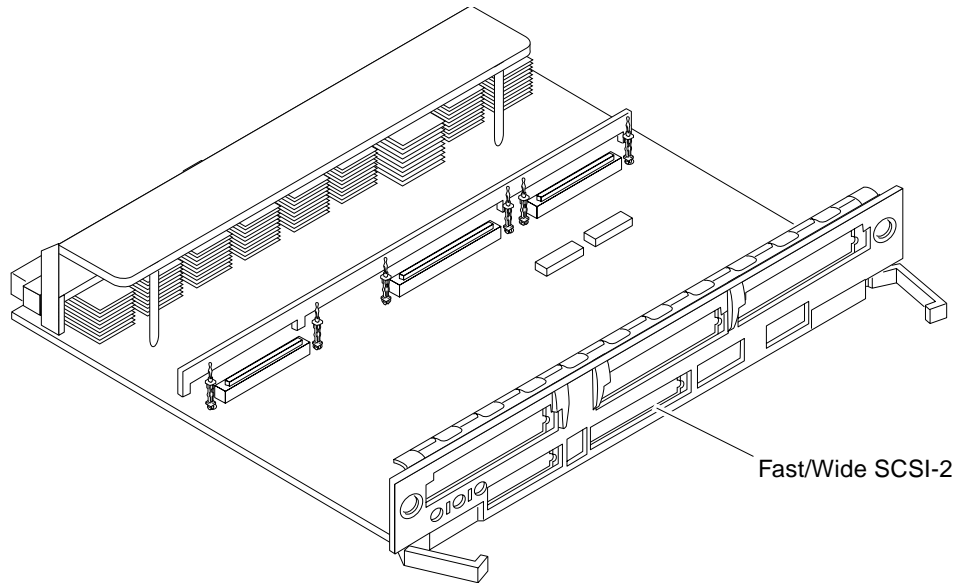
**Caution** – Do not assign the same SCSI address to two devices sharing the same SCSI bus or SBus card. Doing so may result in equipment damage.

---

To connect an external SCSI device to your system:

**1. Connect a SCSI cable to the appropriate SCSI-2 host on the I/O+ board.**

- For the I/O+ board in slot 1, use an SBus card. The onboard SCSI-2 port is reserved for the cable to the media tray.
- For I/O+ boards in slots 2 through 15, use the onboard SCSI-2 port (FIGURE 2-11) or an SBus card.



**FIGURE 2-11** Onboard Single-ended SCSI Connector on the I/O+ Board

**2. For Enterprise 6500/5500 systems only: route the cable from the I/O+ board down along the left mounting rail inside the cabinet.**

Use tie wraps to secure the cable to the left mounting rail.

**3. Connect the other end of the SCSI cable to the external SCSI-2 device.**

**4. For Enterprise 6500/5500 systems only: replace the rear door and kick panel.**

This step concludes the hardware installation for the standalone server. You can now power on the system and test the server.



---

# Powering the System On and Off

---

This chapter contains information about powering the system on and off, reading boot messages, and interpreting system status by viewing the LEDs.

---

## 3.1 Using JumpStart Automatic Installation

The Sun Enterprise 6500/5500/4500 systems can use the JumpStart™ automatic installation feature that is described in installation documents for Solaris software. The software that enables this feature is present on a hard disk in your system if the system was built at the factory with internal disk boards or disk trays.

JumpStart will run only when the system is powered on for the first time.



---

**Caution** – JumpStart may incorrectly install the system as a standalone workstation. You should prevent JumpStart automatic installation from proceeding if the appropriate server-specific configuration information is not in place. Information about the JumpStart feature is available on a card titled, “JumpStart Installation Instructions” that is provided with the system documentation.

---

To prevent JumpStart installation from occurring unintentionally:

- Do not connect the system to a network when you power it on initially.
- Do not place a Solaris release DVD-ROM in a drive when you first power on the machine.

---

**Note** – If JumpStart automatic installation begins unintentionally, interrupt it by pressing L1-A (Stop-A) or Break (on TTYa). Perform a manual installation when you are ready.

---

If JumpStart completes the installation incorrectly, you may need to reinstall Solaris 2.x manually.

---

## 3.2 Enterprise 6500/5500 Cabinet Systems

### 3.2.1 Powering On the System

---

**Note** – It is advisable to connect an ASCII terminal to the system during installation. See Section 2.6 “Connecting an ASCII Terminal,” for terminal settings and connections.

Observe the yellow (middle) LED on the front panel. It should go off when the boot process completes. If it remains lit, observe the terminal screen for boot messages produced by the firmware diagnostic program during power on.

---

To power on the cabinet system:

**1. Begin with a safety inspection of the system:**

**a. Turn the system key switch to  $\odot$  (the Standby position).**

---

**Note** – The standby position ( $\odot$ ) does not turn off any AC-powered drive trays in the lower part of the system cabinet. The key switch controls only the DC power supply and DC-powered devices in the main cabinet.

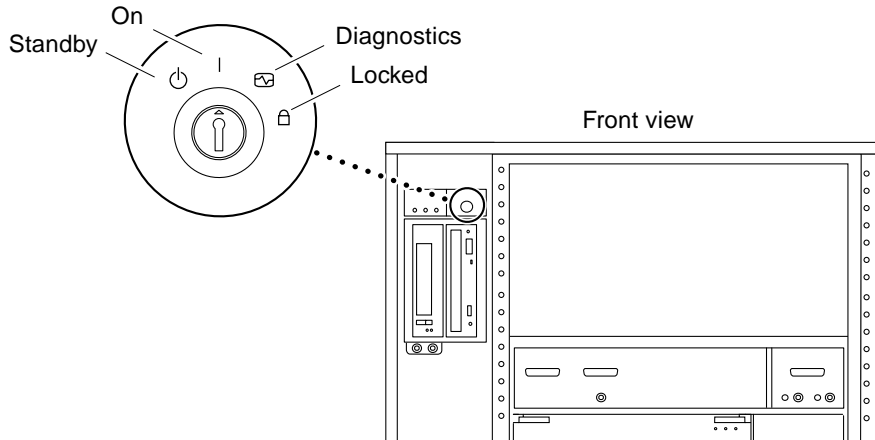
---

**b. Turn the AC power sequencer power switch (FIGURE 3-2) to Off.**

The AC power sequencer is at the rear of the cabinet.

**c. Verify that the cabinet AC power cord is connected to a power outlet.**





**FIGURE 3-1** Key Switch on the Enterprise 6500/5500

**TABLE 3-1** Key Switch Positions

| Position    | Function                                            |
|-------------|-----------------------------------------------------|
| Standby     | Off, no DC power                                    |
| On          | Normal power on                                     |
| Diagnostics | Normal power on, with full diagnostics <sup>1</sup> |
| Locked      | Normal power on, in secure mode                     |

1. Full power on self-test verbose



**Caution** – The outlet must be a 200-240 VAC 30A circuit intended solely for use by the server cabinet. The electrical receptacles must be grounded, and the grounding conductors serving these receptacles must be connected to the earth ground at the service equipment.



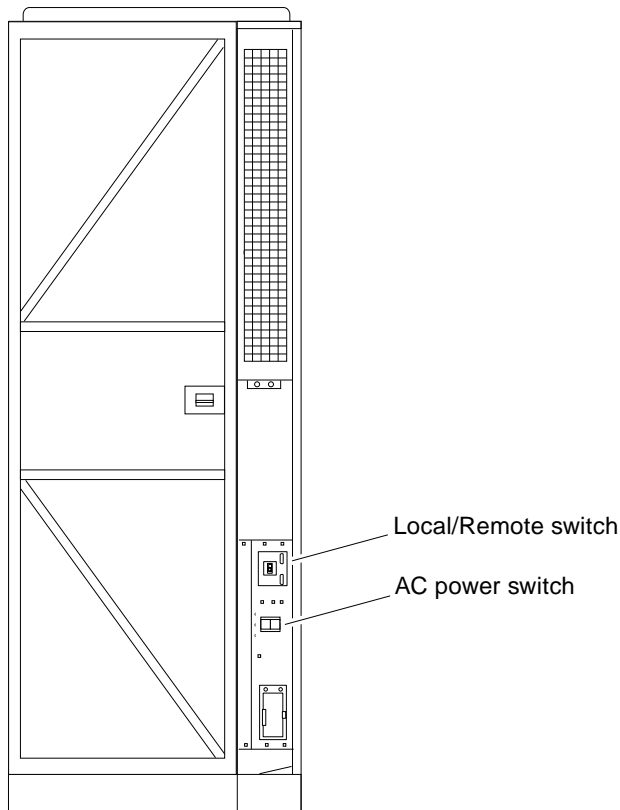
**Caution** – Do not disconnect the AC power cord from the wall socket when you work on or in the server cabinet. This connection provides a ground path that prevents damage from electrostatic discharge.



**Caution** – Never move the system or expansion cabinets when system power is on. Excessive movement can cause catastrophic disk drive failure. Always power the system OFF before moving it.

**2. Turn on power to any expansion cabinets.**

Read the documentation supplied with each type of expansion cabinet for specific instructions.



**FIGURE 3-2** Switches on the AC Power Sequencer

**3. Turn on power to the terminal (if applicable).**

**4. Set the system cabinet Local/Remote switch (FIGURE 3-2) to Local.**

**5. Turn the AC power switch (FIGURE 3-2) to On.**

Listen for the sound of AC-powered devices such as disk drives and fans in the disk drive tray(s).

---

**Note** – The front panel keys for this switch are packed in the accessory box.

---

## 6. Turn the key switch to the On position.

The system will run firmware diagnostics for about one minute and then boot.

You should see and hear several things happen:

- The fans in the power supplies begin turning.
- The left LED (green) on the front of the cabinet turns on immediately to indicate the DC power supply is functioning.
- The middle LED (yellow) begins flashing.
- The right LED (green) flashes after firmware completes to denote that the operating system is running.
- The terminal screen lights up upon completion of the internal self-test.

## 7. Watch the terminal screen for any firmware error messages.

---

**Note** – If the middle front panel LED remains lit after the system has booted, firmware has found (and deconfigured) failing hardware in the main cabinet.

---

POST (power-on-self-test) tests subassemblies and some interface paths between subassemblies.

At the conclusion of testing, firmware automatically attempts to reconfigure the system, omitting any parts of the system that have failed diagnostics.

If there are no faults, or if firmware completes a successful reconfiguration in response to detected faults, the system boots.

If the system is unable to communicate with the network, see Section 3.4 “Failure of Network Communications.”

---

**Note** – POST does not test drives or internal parts of SBus cards. To test these devices, run OpenBoot PROM (OBP) diagnostics manually after the system has booted. Refer to the *OpenBoot Command Reference* for instructions.

---

---

**Note** – If faulty parts are detected and configured out of the working system, you and the system manager must decide whether to operate the system until replacement parts arrive, or to halt operation. Also, if a faulty component cannot be replaced in the field, the entire subassembly (like the system board) must be replaced.

---

## 8. To restart firmware, or if the system hangs, press the CPU reset switch on the clock+ board (FIGURE 3-3).



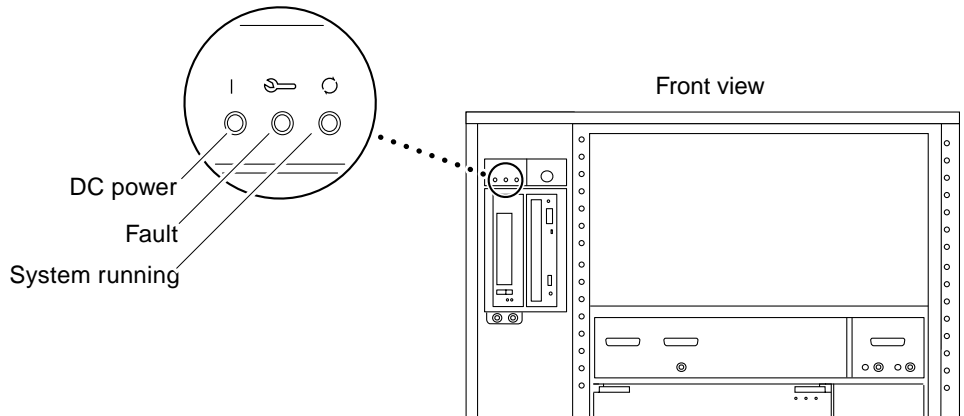
---

**Note** – When the system finishes booting for the first time — if there is no appropriate server configuration file on the disk drive — it may be necessary to prevent the JumpStart automatic configuration program from running. See the caution in Section 3.1 “Using JumpStart Automatic Installation.”

---

### 3.2.3 Interpreting Status LED Patterns

If there is no terminal on the system, basic system status information is available on the front panel LEDs, as shown in FIGURE 3-4.



**FIGURE 3-4** System Status LEDs (Cabinet Server)

TABLE 3-2 summarizes LED status indications.

**TABLE 3-2** Front Panel LED Status Indicators

| LED Position           | Condition                                                                                                                                                                        |
|------------------------|----------------------------------------------------------------------------------------------------------------------------------------------------------------------------------|
| Left LED<br>(green)    | On — DC power supply is receiving AC current.<br>Off — There is no DC power.                                                                                                     |
| Middle LED<br>(yellow) | On Flashing — (first 60 seconds) self-tests are running.<br>Off — (after self-tests end) No hardware failures.<br>On — (after self-tests end) Hardware failure was detected.     |
| Right LED<br>(green)   | Off — (first 60 seconds) self-tests are running.<br>On Flashing — (after self-tests end) System is running.<br>Off — (after self-tests end) System cannot run; repair is needed. |

## 3.2.4 Powering Off the System

Before turning off the system power, you must halt the operating system. See the Preface, “UNIX Commands,” to find references if you need help with the commands for this task or other system administration procedures.

---

**Note** – Failure to halt the operating system properly can cause the loss of disk drive data.

---

---

**Note** – Do not disconnect the terminal while the system is running.

---



---

**Caution** – To avoid damaging internal circuits, do not disconnect or connect any cable while power is applied to the system.

---

To shut down the system:

1. **Notify users that the system is going down.**
2. **Back up the system files and data to tape, if necessary.**
3. **Halt the system using the appropriate commands.**  
Refer to the *Solaris Handbook for SMCC Peripherals* that corresponds to your operating system.
4. **Wait for the system-halted message and the boot monitor prompt.**
5. **Turn the key switch on the front panel of the server to the Standby position (fully counterclockwise).**
6. **Turn off the system power in this order:**
  1. External drives and expansion cabinets (if any)
  2. System cabinet AC power switch
  3. Terminal

For more system administration information on methods for shut-down and backup, see the Preface, “UNIX Commands,” for a reference to documentation that describes these procedures.

---

## 3.3 Enterprise 4500 System

### 3.3.1 Powering On the System

---

**Note** – It is advisable to connect an ASCII terminal to the system during installation. See Section 2.6 “Connecting an ASCII Terminal,” for terminal settings and connections.

Observe the yellow (middle) LED on the front panel. It should go off when the boot process completes. If it remains on, observe the terminal screen for boot messages produced by the firmware diagnostic program during power-on.

---

To power on the Enterprise 4500 system:

1. **Begin with a safety inspection of the system.**
  - a. **Turn the system key switch to  $\phi$  (the Standby position).**
  - b. **Turn the AC power switch (FIGURE 3-6) to Off.**
  - c. **Verify that the AC power cord is connected to a power outlet.**



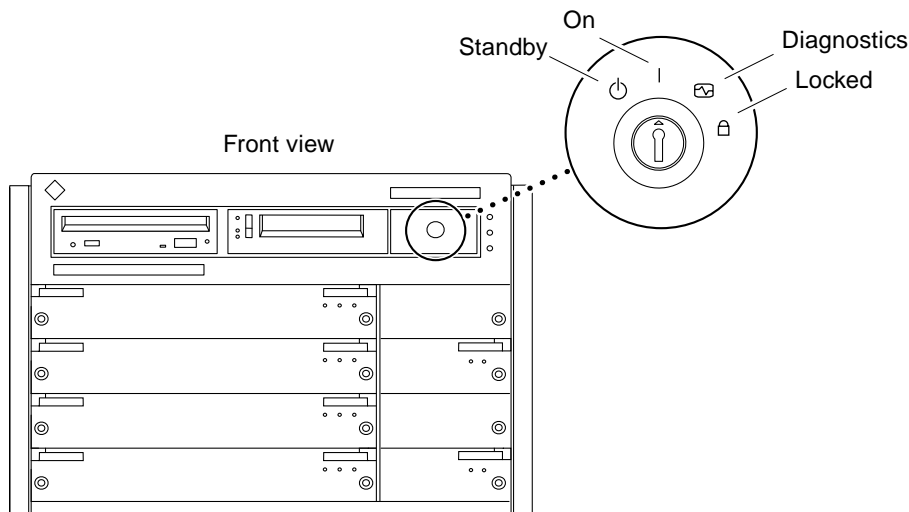
---

**Caution** – Do not disconnect the power cord from the wall socket when working on the server. This connection provides a ground path that prevents damage from uncontrolled electrostatic discharge.

---

2. **Turn on power to any expansion cabinets.**

Read the documentation supplied with each type of expansion cabinet for specific instructions.
3. **Turn on the terminal (if applicable).**



**FIGURE 3-5** Key Switch on the Enterprise 4500

**TABLE 3-3** Key Switch Positions

| Position    | Function                                            |
|-------------|-----------------------------------------------------|
| Standby     | Off, no DC power                                    |
| On          | Normal power on                                     |
| Diagnostics | Normal power on, with full diagnostics <sup>1</sup> |
| Locked      | Normal power on, in secure mode                     |

1. Full power on self-test verbose.

**4. Turn the AC power switch (FIGURE 3-6) to On.**

**5. Turn the key switch (FIGURE 3-5) to the On position.**

You should see and hear several things happen:

- The fans in the power supplies begin turning.
- The top front panel LED (green) turns on immediately denoting the power supply is delivering DC power.
- The middle front panel LED (yellow) flashes while POST runs for approximately 60 seconds. After 60 seconds, this LED turns off if the tests pass. If the LED remains lighted after 60 seconds, a test has failed.
- The bottom front panel LED (green) flashes to show that booting is successful and the operating system is running. If this LED fails to turn on and the middle LED is on, a severe hardware fault exists.



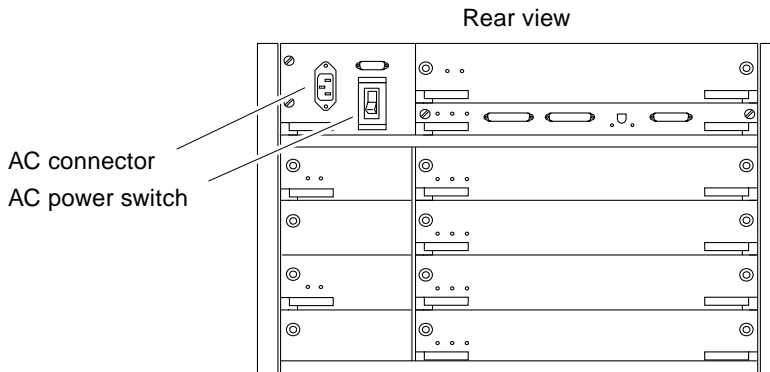


FIGURE 3-6 AC Power Switch on the Enterprise 4500



---

**Caution** – Never move the system when the power is on. Doing so may result in catastrophic disk drive failure. Always power the system off before moving it.

---

**6. Watch the terminal screen for error messages.**

POST (power-on-self-test) tests subassemblies and some interface paths between subassemblies.

At the conclusion of testing, firmware automatically attempts to reconfigure the system, omitting any parts of the system that have failed diagnostics.

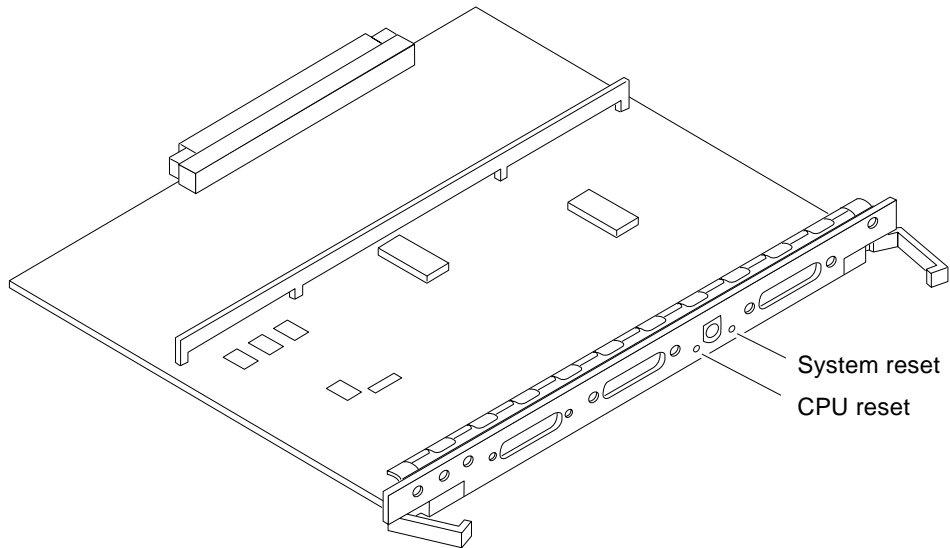
If there are no faults, or if firmware completes a successful reconfiguration in response to detected faults, the system boots.

---

**Note** – If faulty parts are detected and configured out of the working system, you and the system manager must decide whether to operate the system until replacement parts arrive, or to halt operation. Also, if a faulty component cannot be replaced in the field, the entire subassembly (like the system board) must be replaced.

---

**7. To restart firmware, or if the system hangs, press the CPU reset switch (FIGURE 3-7) on the clock+ board.**



**FIGURE 3-7** Reset Switches on the Clock+ Board

### 3.3.2 Reading Boot Messages

Use the boot software messages to verify that all options are installed and recognized by the system. After firmware completes the system self-test, a message similar to the one below will appear on your screen. The message lists hardware detected in the system.

---

**Note** – This screen display is an example only. The actual message displayed on the screen will depend on the software running on your system.

---

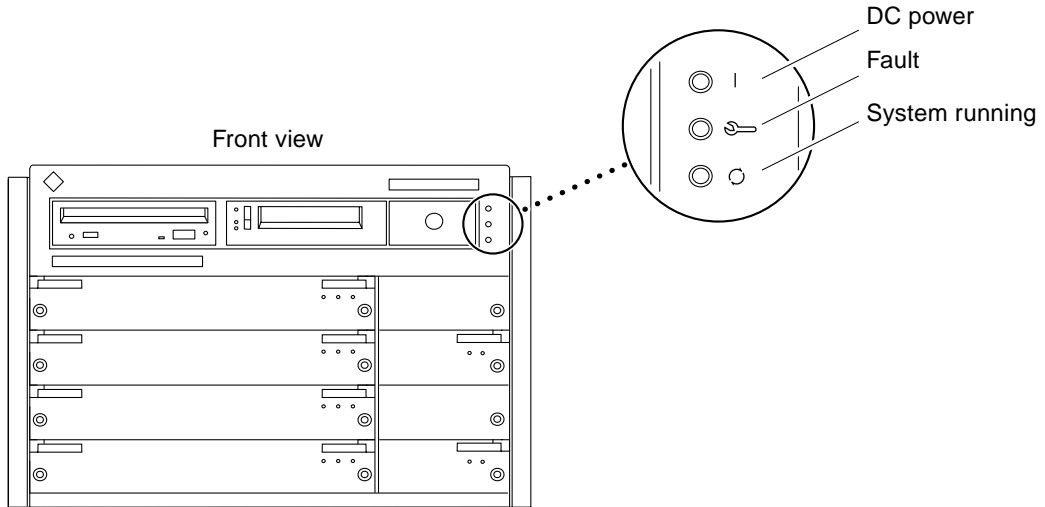
```
8-slot Sun Enterprise 5500/4500, Keyboard Present
OpenBoot -.- FCS, --- MB memory installed, Serial #---.
Ethernet address -:-:---:---:---:---, Host ID: -----.
```

If firmware indicates a hardware problem at this time, refer to the *Sun Enterprise 6500/5500/4500 Systems Reference Manual*, Part 3, “Troubleshooting,” for further instructions.

Boot the system using the procedure that is appropriate for your operating system. See the Preface, “UNIX Commands,” for a reference to documentation that describes this procedure.

### 3.3.3 Interpreting Status LED Patterns

If there is no terminal on the system, examine the front panel LEDs (FIGURE 3-8) for the status of the system (TABLE 3-2).



**FIGURE 3-8** System Status LEDs (Standalone Server)

**TABLE 3-4** Front Panel LED Status Indicators

| LED Position           | Condition                                                                                                                                                                        |
|------------------------|----------------------------------------------------------------------------------------------------------------------------------------------------------------------------------|
| Left LED<br>(green)    | On — DC power supply is receiving AC current.<br>Off — There is no DC power.                                                                                                     |
| Middle LED<br>(yellow) | On Flashing — (first 60 seconds) self-tests are running.<br>Off — (after self-tests end) No hardware failures.<br>On — (after self-tests end) Hardware failure was detected.     |
| Right LED<br>(green)   | Off — (first 60 seconds) self-tests are running.<br>On Flashing — (after self-tests end) System is running.<br>Off — (after self-tests end) System cannot run; repair is needed. |

When the self-test completes, both top and bottom LEDs should be on. If the system runs but needs service, all three LEDs will be on. If the system cannot boot, the top and middle LEDs will be on. In a complete failure, none of the LEDs will light.

## 3.3.4 Powering Off the System

Before turning off the system power, you must halt the operating system. See the Preface, “UNIX Commands,” to find references that can help with the commands for this task or other system administration procedures.

---

**Note** – Failure to halt the operating system properly can cause the loss of disk drive data.

---

---

**Note** – Do not disconnect the terminal while the system is running.

---

---

**Caution** – To avoid damaging internal circuits, do not disconnect or connect in any cable while power is applied to the system.

---



To shut down the system:

1. **Notify users that the system is going down.**
2. **Back up the system files and data to tape, if necessary.**
3. **Halt the system using the appropriate commands.**  
Refer to the *Solaris Handbook for SMCC Peripherals* that corresponds to your operating system.
4. **Wait for the system-halted message and the boot monitor prompt.**
5. **Turn the key switch on the front panel of the server to the Standby position (fully counterclockwise).**
6. **Turn off the system power in this order:**
  1. External drives and expansion cabinets (if any)
  2. System AC power switch
  3. Terminal

For more system administration information on methods for shut-down and backup, see the Preface, “UNIX Commands,” for references to documentation that describes these procedures.

---

## 3.4 Failure of Network Communications

### *Description of the Problem*

The system cannot communicate with a network if the system and the network hub are not set in the same way for the Ethernet link integrity test. This problem particularly applies to 10BASE-T network hubs, where the Ethernet link integrity test is optional. This is not a problem for 100BASE-T networks, where the test is enabled by default.

If you connect the system to a network and the network does not respond, use the OpenBoot command `watch-net-all` to display conditions for all network connections:

```
ok watch-net-all
```

For SBus Ethernet cards, the test can be enabled or disabled with a hardware jumper, which you must set manually. For the TPE and MII onboard ports on the I/O+ board, the link test is enabled or disabled through software, as shown below.

Remember also that the TPE and MII ports are not independent circuits and as a result, both ports cannot be used at the same time.

---

**Note** – Some hub designs do not use a software command to enable/disable the test, but instead permanently enable (or disable) the test through a hardware jumper. Refer to the hub installation or user manual for details of how the test is implemented.

---

### *Determining the Device Names of the I/O+ Boards*

To enable or disable the link test for an onboard TPE (`hme`) port, you must first know the device name for the I/O+ board. To list the device names:

1. **Shut down the system and take the system into OpenBoot.**
2. **Determine the device names of the I/O+ boards:**

**a. Type:**

```
ok show-devs
```

**b. In the `show-devs` listing, find the node names.**

Node names take the general form `/sbus@3,0/SUNW,hme@3,8c00000`.

### *Solution 1*

Use this method while the operating system is running:

**1. Become superuser.**

**2. Type:**

```
# eeprom nvramrc="probe-all install-console banner apply disable-link-pulse \  
device-name "  
  (Repeat for any additional device names.)  
# eeprom "use-nvramrc?"=true
```

**3. Reboot the system (when convenient) to make the changes effective.**

### *Solution 2*

Use this alternate method when the system is already in OpenBoot:

**1. At the monitor OpenBoot prompt, type:**

```
ok nvedit  
0: probe-all install-console banner  
1: apply disable-link-pulse device-name  
  (Repeat this step for other device names as needed.)  
  (Press CONTROL-C to exit nvedit.)  
ok nvstore  
ok setenv use-nvramrc? true
```

**2. Reboot to make the changes effective.**

## Software

---

---

### 4.1 Operating System Software and Patches

Refer to the operating system documentation that came with your system for more information on operating system software.

---

### 4.2 Sun<sup>TM</sup> Management Center Software

Sun Management Center features a graphical user interface (GUI) that shows various graphs reflecting system status.

Sun Management Center, intended to complement network-wide and enterprise-wide system management tools, is accessible through an SNMP interface from network tools such as Solstice SunNet Manager<sup>TM</sup>.

Refer to the online *Sun Management Center User's Guide* for start up and operating instructions.

---

## 4.3 Dynamic Reconfiguration for Hot-Pluggable System Boards

If the dynamic reconfiguration feature is enabled in the operating environment, service providers can install, remove, or replace a hot-pluggable system board without powering down the system. For the Solaris 2.6, Solaris 7, and Solaris 8 Operating Environments, dynamic reconfiguration applies to specific types of boards in the Sun Enterprise 3x00. For instructions, refer to the *Sun Enterprise 6x00, 5x00, 4x00, and 3x00 Systems Dynamic Reconfiguration User's Guide* included in the online AnswerBook2 for your Solaris Operating Environment or refer to the docs.sun.com web site for more information on dynamic reconfiguration.

---

## 4.4 CPU Over-Temperature Safeguard (COS)

The CPU over-temperature safeguard (COS) software feature is automatically available on the Sun Enterprise server systems. COS ensures that the temperature on any CPU/Memory+ board does not rise above the safe operating range.

Refer to the online *Platform Notes* for information about COS requirements and operation.



# Regulatory Agency Compliance Statements

---

Your Sun product is marked to indicate its compliance class:

- Federal Communications Commission (FCC)—U.S.A.
- Department of Communications (DOC)—Canada
- Voluntary Control Council for Interference (VCCI)—Japan
- European Union (CE mark)—Europe
- Bureau of Standards Metrology and Inspection (BSMI) — Taiwan

Please read the appropriate section that corresponds to the marking on your Sun product before attempting to install the product.

---

## A.1 FCC Class A Notice

This device complies with Part 15 of the FCC Rules. Operation is subject to the following two conditions:

1. This device may not cause harmful interference.
2. This device must accept any interference received, including interference that may cause undesired operation.

---

**Note** – This equipment has been tested and found to comply with the limits for a Class A digital device, pursuant to Part 15 of the FCC Rules. These limits are designed to provide reasonable protection against harmful interference when the equipment is operated in a commercial environment. This equipment generates, uses and can radiate radio frequency energy and, if not installed and used in accordance with the instruction manual, may cause harmful interference to radio communications. Operation of this equipment in a residential area is likely to cause harmful interference in which case the user will be required to correct the interference at his own expense.

---

**Shielded Cables:** Connections between the workstation and peripherals must be made using shielded cables in order to maintain compliance with FCC radio frequency emission limits. Networking connections can be made using unshielded twisted-pair (UTP) cables.

**Modifications:** Any modifications made to this device that are not approved by Sun Microsystems™, Inc. may void the authority granted to the user by the FCC to operate this equipment.

---

## A.2 FCC Class B Notice

This device complies with Part 15 of the FCC Rules. Operation is subject to the following two conditions:

1. This device may not cause harmful interference.
2. This device must accept any interference received, including interference that may cause undesired operation.

---

**Note** – This equipment has been tested and found to comply with the limits for a Class B digital device, pursuant to Part 15 of the FCC Rules. These limits are designed to provide reasonable protection against harmful interference in a residential installation. This equipment generates, uses and can radiate radio frequency energy and, if not installed and used in accordance with the instructions, may cause harmful interference to radio communications. However, there is no guarantee that interference will not occur in a particular installation. If this equipment does cause harmful interference to radio or television reception, which can be determined by turning the equipment off and on, the user is encouraged to try to correct the interference by one or more of the following measures:

---

- Reorient or relocate the receiving antenna.
- Increase the separation between the equipment and receiver.
- Connect the equipment into an outlet on a circuit different from that to which the receiver is connected.
- Consult the dealer or an experienced radio/television technician for help.

**Shielded Cables:** Connections between the workstation and peripherals must be made using shielded cables in order to maintain compliance with FCC radio frequency emission limits. Networking connections can be made using unshielded twisted pair (UTP) cables.

**Modifications:** Any modifications made to this device that are not approved by Sun Microsystems, Inc. may void the authority granted to the user by the FCC to operate this equipment.

---

## A.3 DOC Class A Notice – Avis DOC, Classe A

This Class A digital apparatus meets all requirements of the Canadian Interference-Causing Equipment Regulations.

Cet appareil numérique de la classe A respecte toutes les exigences du Règlement sur le matériel brouilleur du Canada.

---

## A.4 DOC Class B Notice – Avis DOC, Classe B

This Class B digital apparatus meets all requirements of the Canadian Interference-Causing Equipment Regulations.

Cet appareil numérique de la classe B respecte toutes les exigences du Règlement sur le matériel brouilleur du Canada.

## VCCI 基準について


### 第一種 VCCI 基準について

第一種 VCCI の表示があるワークステーションおよびオプション製品は、第一種情報装置です。これらの製品には、下記の項目が該当します。

この装置は、第一種情報装置(商工業地域において使用されるべき情報装置)で商工業地域での電波障害防止を目的とした情報処理装置等電波障害自主規制協議会(VCCI)基準に適合しております。したがって、本製品を、住宅地域または住宅地域に隣接した地域でご使用になりますと、ラジオ、テレビジョン受信機等に受信障害を与えることがあります。

取り扱い説明書に従って正しくお取り扱いください。

### 第二種 VCCI 基準について

第二種 VCCI の表示  があるワークステーションおよびオプション製品は、第二種情報装置です。これらの製品には、下記の項目が該当します。

この装置は、第二種情報装置(住宅地域または住宅地域に隣接した地域において使用されるべき情報装置)で住宅地域での電波障害防止を目的とした情報処理装置等電波障害自主規制協議会(VCCI)基準に適合しております。しかし、本製品を、ラジオ、テレビジョン受信機に近接してご使用になりますと、受信障害の原因となることがあります。

取り扱い説明書に従って正しくお取り扱いください。

---

## A.5 BSMI Class A Notice

The following statement is applicable to products shipped to Taiwan and marked as Class A on the product compliance label.

警告使用者：

這是甲類的資訊產品，在居住的環境中使用時，可能會造成射頻干擾，在這種情況下，使用者會被要求採取某些適當的對策。

# Declaration of Conformity

Compliance ID: 1610/1601  
Product Name: Sun Enterprise 6500 Family

## EMC

### European Union

This equipment complies with the following requirements of the EMC Directive 89/336/EEC:

|                                    |              |                                                                                       |
|------------------------------------|--------------|---------------------------------------------------------------------------------------|
| EN55022:1998/CISPR22:1997          |              | Class A                                                                               |
| EN55024:1998                       | EN61000-4-2  | 4 kV (Direct), 8 kV (Air)                                                             |
|                                    | EN61000-4-3  | 3 V/m                                                                                 |
|                                    | EN61000-4-4  | 1.0 kV AC Power Lines, 0.5 kV Signal and DC Power Lines                               |
|                                    | EN61000-4-5  | 1 kV AC Line-Line and Outdoor Signal Lines<br>2 kV AC Line-Gnd, 0.5 kV DC Power Lines |
|                                    | EN61000-4-6  | 3 V                                                                                   |
|                                    | EN61000-4-8  | 1 A/m                                                                                 |
|                                    | EN61000-4-11 | Pass                                                                                  |
| EN61000-3-2:1995 w/Amendments 1, 2 |              | Pass                                                                                  |
| EN61000-3-3:1995                   |              | Pass                                                                                  |

## Safety

This equipment complies with the following requirements of the Low Voltage Directive 73/23/EEC:

EC Type Examination Certificates:

|                                                      |                                            |
|------------------------------------------------------|--------------------------------------------|
| EN60950:1992, 2nd Edition, Amendments 1, 2, 3, 4, 11 | TUV Rheinland Certificate No. S 9677038    |
| IEC 950:1991, 2nd Edition, Amendments 1, 2, 3, 4     |                                            |
| Evaluated to all CB Countries                        | CB Scheme Certificate No. UL918-138989/USA |
| FDA DHHS Accession Number (Monitors Only)            |                                            |

## Supplementary Information

This product was tested and complies with all the requirements for the CE Mark.

/S/

\_\_\_\_\_  
Dennis P. Symanski  
Manager, Compliance Engineering  
Sun Microsystems, Inc.  
901 San Antonio Road, MPK15-102  
Palo Alto, CA 94303-4900 U.S.A  
Tel: 650-786-3255  
Fax: 650-786-3723

\_\_\_\_\_  
DATE

/S/

\_\_\_\_\_  
Peter Arkless  
Quality Manager  
Sun Microsystems Scotland, Limited  
Springfield, Linlithgow  
West Lothian, EH49 7LR  
Scotland, United Kingdom  
Tel: 0506-670000  
Fax: 0506-760011

\_\_\_\_\_  
DATE

# Declaration of Conformity

Compliance ID: 800/1601  
Product Name: Sun Enterprise 5500 Family

## EMC

### European Union

This equipment complies with the following requirements of the EMC Directive 89/336/EEC:

|                                    |              |                                                         |
|------------------------------------|--------------|---------------------------------------------------------|
| EN55022:1998/CISPR22:1997          |              | Class A                                                 |
| EN55024:1998                       | EN61000-4-2  | 4 kV (Direct), 8 kV (Air)                               |
|                                    | EN61000-4-3  | 3 V/m                                                   |
|                                    | EN61000-4-4  | 1.0 kV AC Power Lines, 0.5 kV Signal and DC Power Lines |
|                                    | EN61000-4-5  | 1 kV AC Line-Line and Outdoor Signal Lines              |
|                                    |              | 2 kV AC Line-Gnd, 0.5 kV DC Power Lines                 |
|                                    | EN61000-4-6  | 3 V                                                     |
|                                    | EN61000-4-8  | 1 A/m                                                   |
|                                    | EN61000-4-11 | Pass                                                    |
| EN61000-3-2:1995 w/Amendments 1, 2 |              | Pass                                                    |
| EN61000-3-3:1995                   |              | Pass                                                    |

## Safety

This equipment complies with the following requirements of the Low Voltage Directive 73/23/EEC:

EC Type Examination Certificates:

|                                                      |                                            |
|------------------------------------------------------|--------------------------------------------|
| EN60950:1992, 2nd Edition, Amendments 1, 2, 3, 4, 11 | TUV Rheinland Certificate No. S 9677038    |
| IEC 950:1991, 2nd Edition, Amendments 1, 2, 3, 4     |                                            |
| Evaluated to all CB Countries                        | CB Scheme Certificate No. UL918-138989/USA |
| FDA DHHS Accession Number (Monitors Only)            |                                            |

## Supplementary Information

This product was tested and complies with all the requirements for the CE Mark.

/S/

\_\_\_\_\_  
Dennis P. Symanski  
Manager, Compliance Engineering  
Sun Microsystems, Inc.  
901 San Antonio Road, MPK15-102  
Palo Alto, CA 94303-4900 U.S.A  
Tel: 650-786-3255  
Fax: 650-786-3723

DATE

/S/

\_\_\_\_\_  
Peter Arkless  
Quality Manager  
Sun Microsystems Scotland, Limited  
Springfield, Linlithgow  
West Lothian, EH49 7LR  
Scotland, United Kingdom  
Tel: 0506-670000  
Fax: 0506-760011

DATE

# Declaration of Conformity

Compliance ID: 800  
Product Name: Sun Enterprise 4500 Family

## EMC

### European Union

This equipment complies with the following requirements of the EMC Directive 89/336/EEC:

|                                    |              |                                                                                       |
|------------------------------------|--------------|---------------------------------------------------------------------------------------|
| EN55022:1998/CISPR22:1997          |              | Class A                                                                               |
| EN55024:1998                       | EN61000-4-2  | 4 kV (Direct), 8 kV (Air)                                                             |
|                                    | EN61000-4-3  | 3 V/m                                                                                 |
|                                    | EN61000-4-4  | 1.0 kV AC Power Lines, 0.5 kV Signal and DC Power Lines                               |
|                                    | EN61000-4-5  | 1 kV AC Line-Line and Outdoor Signal Lines<br>2 kV AC Line-Gnd, 0.5 kV DC Power Lines |
|                                    | EN61000-4-6  | 3 V                                                                                   |
|                                    | EN61000-4-8  | 1 A/m                                                                                 |
|                                    | EN61000-4-11 | Pass                                                                                  |
| EN61000-3-2:1995 w/Amendments 1, 2 |              | Pass                                                                                  |
| EN61000-3-3:1995                   |              | Pass                                                                                  |

## Safety

This equipment complies with the following requirements of the Low Voltage Directive 73/23/EEC:

EC Type Examination Certificates:

|                                                      |                                            |
|------------------------------------------------------|--------------------------------------------|
| EN60950:1992, 2nd Edition, Amendments 1, 2, 3, 4, 11 | TUV Rheinland Certificate No. S 9677038    |
| IEC 950:1991, 2nd Edition, Amendments 1, 2, 3, 4     |                                            |
| Evaluated to all CB Countries                        | CB Scheme Certificate No. UL918-138989/USA |
| FDA DHHS Accession Number (Monitors Only)            |                                            |

## Supplementary Information

This product was tested and complies with all the requirements for the CE Mark.

/S/

\_\_\_\_\_  
Dennis P. Symanski  
Manager, Compliance Engineering  
Sun Microsystems, Inc.  
901 San Antonio Road, MPK15-102  
Palo Alto, CA 94303-4900 U.S.A  
Tel: 650-786-3255  
Fax: 650-786-3723

DATE

/S/

\_\_\_\_\_  
Peter Arkless  
Quality Manager  
Sun Microsystems Scotland, Limited  
Springfield, Linlithgow  
West Lothian, EH49 7LR  
Scotland, United Kingdom  
Tel: 0506-670000  
Fax: 0506-760011

DATE



# Index

---

## A

- AC switch, 2-4, 3-2, 3-9
- adjust, levelling pads, 1-12
- air conditioning needs, 1-6
- ASCII terminal
  - cabling and setup, 2-9
  - removal, 3-8, 3-14
- automatic installation, JumpStart, 3-1

## B

- bar, stabilizer, 1-13
- boot messages, 3-6, 3-12

## C

- cabling
  - ASCII terminal, 2-9
  - ethernet, length, 2-8
  - fiber, 2-10
  - network, 2-5
  - power, 2-3
  - preparing for, 2-1
  - SCSI, 2-12
  - twisted-pair, 1-7
- cautions
  - notes, warnings, xv
  - SCSI bus, SBus, 2-12
- clearance, system, 1-10
- cord, power, 1-15

## D

- disk drive
  - tray, use stabilizer bar, 1-13
- drive
  - disk, caution
    - improper shutdown, 3-8
    - moving with power on, 3-3
  - test, 3-5
  - tray, safety, 1-13
- duplicate addresses, caution, 2-12

## E

- error messages
  - POST, 3-2, 3-9
  - terminal, 3-2, 3-9
- ethernet
  - cable
    - length, 2-8
    - limitations, 2-8

## F

- fiber cable, 2-10
- floorspace, 1-9

## H

- halting the system, 3-8, 3-14

## I

installation, preparing for, 1-1

## J

JumpStart installation program, 3-1

## K

key

location in container, 1-15

switch

positions, 2-4

kick panel

replace, 2-1

## L

LEDs

interpretation, 3-5

leveling

wrench, 1-13

levelling

pads, adjust, 1-12

lifting the server, 1-15

limitations, cable, ethernet, 2-8

link test function, 1-8, 2-9

local/remote switch, 3-4

## M

messages

boot, 3-6, 3-12

error, 3-2, 3-9

MII connector, 1-7

## N

network

cabling, 2-5 to 2-6

site preparation, 1-7

transceiver, 1-8

notes, cautions, warnings, xv

## P

panel

replace

kick, 2-1

rear screen, 2-1

POST

error messages, 3-2, 3-9

LED interpretation, 3-5

program, 2-9

reconfiguration of system, 3-5, 3-11

restart, 3-5

SBus card, 3-5

power

cabling, 2-3

cord, location, 1-15

off the system, 3-8, 3-14

on the system, 3-2 to 3-6

power-on self-test *See* POST

precaution, automatic installation JumpStart, 3-1

preparing

for cabling, 2-1

for installation, 1-1

## R

rear screen

replace, 2-1

reconfiguration, system, POST, 3-11

remove

ASCII terminal, 3-8, 3-14

replace

panel

kick, 2-1

rear screen, 2-1

reset switch, 3-5

usage of, 3-11

restart, POST, 3-5

## S

SBus

card

POST, 3-5

test, 3-5

caution, 2-12

SCSI

bus, caution, 2-12

- cabling, 2-12
- server, lifting, 1-15
- shipping and storing, 1-4
- site preparation
  - air conditioning, 1-6
  - floorspace, 1-9
  - network, 1-7
- stabilizer bar, 1-13
- status LEDs, 3-5
- switch
  - AC, 2-4, 3-2, 3-9
  - key, 3-3, 3-10
  - local/remote, 3-4
  - reset, 3-5
- system clearance, 1-10

## **T**

- test
  - drives, 3-5
  - link test, 2-9
  - SBus cards, 3-5
- tools list, 1-11, 1-15
- transceiver, network, 1-8
- tray, stabilizer bar, 1-13
- TTY terminal, *See* ASCII terminal
- twisted-pair cable, 1-7

## **U**

- unpacking, 1-2

## **W**

- warnings, notes, cautions, xv
- wrench, leveling, 1-13

