

Accessing Sun Documentation Online

A broad selection of Sun system documentation is located at the following web site:

<http://www.sun.com/products-n-solutions/hardware/docs>

To locate the most current documentation at this site, select a product category. The documents at that location may include updated information that did not ship with your product, such as product notes, release notes, late-breaking news, or later revisions of manuals.

A complete set of Solaris documentation and many other titles are located at:

<http://docs.sun.com>

Ordering Sun Documentation

Fatbrain.com, an Internet professional bookstore, stocks select product documentation from Sun Microsystems, Inc. For a list of documents and how to order them, visit the Sun Documentation Center on Fatbrain.com at:

<http://www.fatbrain.com/documentation/sun>

Sun Welcomes Your Comments

Sun is interested in improving its documentation and welcomes your comments and suggestions. You can email your comments to Sun at:

docfeedback@sun.com

Please include the part number (806-4716-11) of the document in the subject line of your email.

Copyright 2002 Sun Microsystems, Inc. All rights reserved. Use is subject to license terms. Third-party software, including font technology, is copyrighted and licensed from Sun suppliers. Sun, Sun Microsystems, the Sun logo, AnswerBook2, docs.sun.com, Sun Fire, and Solaris are trademarks, registered trademarks, or service marks of Sun Microsystems, Inc. in the U.S. and other countries. Federal Acquisitions: Commercial Software—Government Users Subject to Standard License Terms and Conditions.

Copyright 2002 Sun Microsystems, Inc. Tous droits réservés. Distribué par des licences qui en restreignent l'utilisation. Le logiciel détenu par des tiers, et qui comprend la technologie relative aux polices de caractères, est protégé par un copyright et licencié par des fournisseurs de Sun. Sun, Sun Microsystems, le logo Sun, AnswerBook2, docs.sun.com, Sun Fire, et Solaris sont des marques de fabrique ou des marques déposées, ou marques de service, de Sun Microsystems, Inc. aux Etats-Unis et dans d'autres pays.

Sun Fire™ 6800 System and Sun Fire Cabinet Redundant Transfer Switch (RTS) Installation Guide



Sun Fire Cabinet Redundant Transfer Switch (RTS)

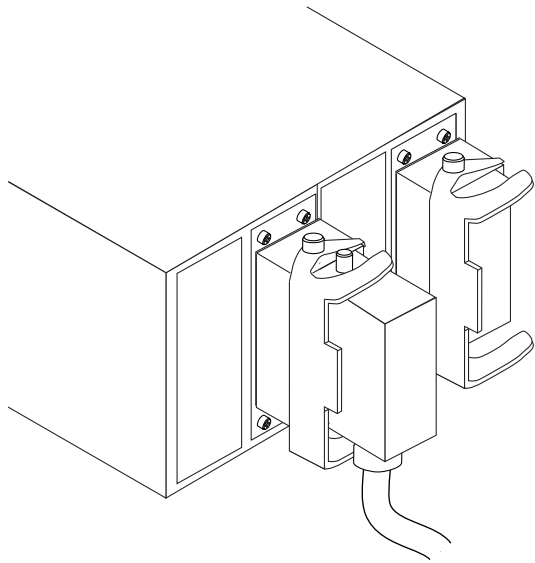
There may be up to two redundant transfer units (RTUs) in a Sun Fire™ cabinet. The RTUs are located in the bottom of the cabinet in the front or rear. The Sun Fire 6800 will always have two RTUs and four RTSs (two each) mounted in its cabinet.

Each RTU assembly contains one pre-installed redundant transfer switch (RTS) module. The second RTS is for redundancy and is optional.

Note – If two separate AC power sources (primary and secondary) are not available, and a single AC power source is used, connect **ONLY** RTS0 to the power source. Connecting RTS0 and RTS1 to a single AC power source (even if separate circuit breakers are used) is not supported and will adversely affect reliability.

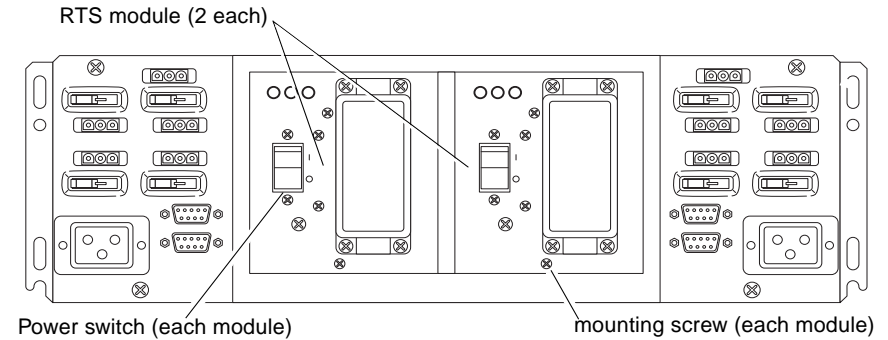
Installing an RTS Module

1. Insert the new RTS module into the RTU and ensure proper engagement of the connector in the rear of the module.
2. Insert the screw at the bottom of the module and tighten.
3. Connect the AC power cable.



4. Power on the wall circuit breaker connected to the RTS module.

5. Turn ON the power switch on the new RTS module.



Removing an RTS Module

1. For systems with redundant RTS modules, skip to Step 3.
2. For systems with non-redundant RTS modules, power off the system. Refer to the *Sun Fire 6800/4810/4800/3800 Systems Platform Administration Manual* for complete procedures for powering off the system.
3. Turn OFF the power switch on the RTS module that is to be replaced.
4. Power off the wall circuit breaker connected to the RTS module that is to be replaced.
5. Disconnect the AC power cable from the RTS module that is to be replaced.
6. Loosen the screw on the bottom of the RTS module.
7. Pull the module straight out.