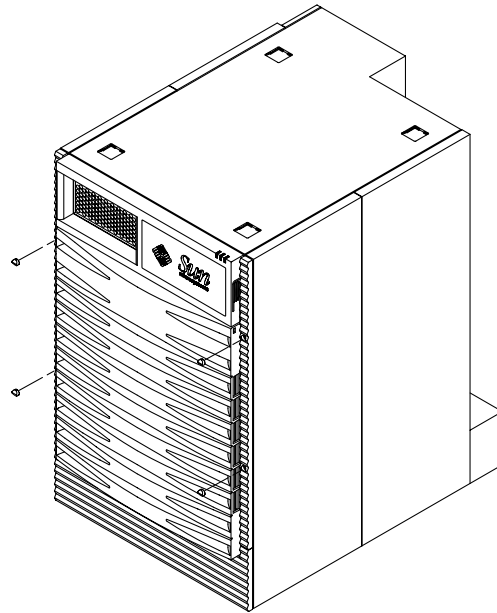


Installing the Cosmetic Plugs

1. Align and insert a cosmetic plug into each of the four cosmetic plug holes (located in the cosmetic trim on the front of the system).



Reposition the Sun Fire 4800 System

1. Unlock the casters so the system can roll.
2. Move the Sun Fire 4800 system to its operational location and lock the casters in place so the system will not roll.
3. Recable and power on the system.
For instructions on cabling and powering on the Sun Fire 4800 system, refer to the *Sun Fire 4810/4800/3800 Systems Installation Guide*.
4. Attach the power cables to the cable locks on the bumper to prevent them from being accidentally disconnected.

Accessing Sun Documentation Online

The docs.sun.comSM web site enables you to access a select group of Sun technical documentation on the Web. You can browse the docs.sun.com archive or search for a specific book title or subject at:

<http://docs.sun.com>

Ordering Sun Documentation

Fatbrain.com, an Internet professional bookstore, stocks select product documentation from Sun Microsystems, Inc. For a list of documents and how to order them, visit the Sun Documentation Center on Fatbrain.com at:

<http://www.fatbrain.com/documentation/sun>

Sun Welcomes Your Comments

Sun is interested in improving its documentation and welcomes your comments and suggestions. You can email your comments to Sun at:

docfeedback@sun.com

Please include the part number (806-2947-10) of the document in the subject line of your email.

Sun Fire™ 4800 System Deskside Conversion Kit Installation Guide)

Copyright 2001 Sun Microsystems, Inc. All rights reserved. Use is subject to license terms. Third-party software, including font technology, is copyrighted and licensed from Sun suppliers. Sun, Sun Microsystems, the Sun logo, AnswerBook2, docs.sun.com, Sun Fire, and Solaris are trademarks, registered trademarks, or service marks of Sun Microsystems, Inc. in the U.S. and other countries. Federal Acquisitions: Commercial Software—Government Users Subject to Standard License Terms and Conditions.

Copyright 2001 Sun Microsystems, Inc. Tous droits réservés. Distribué par des licences qui en restreignent l'utilisation. Le logiciel détenu par des tiers, et qui comprend la technologie relative aux polices de caractères, est protégé par un copyright et licencié par des fournisseurs de Sun. Sun, Sun Microsystems, le logo Sun, AnswerBook2, docs.sun.com, Sun Fire, et Solaris sont des marques de fabrique ou des marques déposées, ou marques de service, de Sun Microsystems, Inc. aux Etats-Unis et dans d'autres pays.



Sun Microsystems, Inc., 901 San Antonio Road, Palo Alto, CA 94303-4900 U.S.A.
650 960-1300, Fax 650 969-9131



Inventory

This kit contains:

- 4 casters + 16 M6 screws (25mm)
- 4 common side panels
- 1 left rear side panel (long, narrow)
- 1 right rear side panel (short, square)
- 1 bumper + 4 M5 screws
- 4 Cosmetic Plugs

Pre-Installation

1. Power off the Sun Fire 4800 system and remove the cables.

Refer to the *Sun Fire 4810/4800/3800 Systems Installation Guide* for instructions on cabling and powering on the Sun Fire 4800 system. Then reverse those instructions to power off and remove the cables from the Sun Fire 4800 system.

2. Remove the Sun Fire 4800 system from the rack or cabinet.

Refer to the instructions that accompanied the industry standard 19-inch rack, for details on how to remove a Sun Fire 4800 system from the rack.

Refer to the *Sun Fire 4810/4800/3800 Systems Cabinet Mounting Guide* for instructions on mounting a Sun Fire 4800 system into a Sun Fire cabinet. Then reverse those instructions to remove the Sun Fire 4800 system from a Sun Fire cabinet.



Caution – The Sun Fire 4800 system can weigh up to 300 lbs. (112 kg). To prevent personal injury, two people are needed to move the system safely into the cabinet by using a computer equipment lift.

Installing the Casters

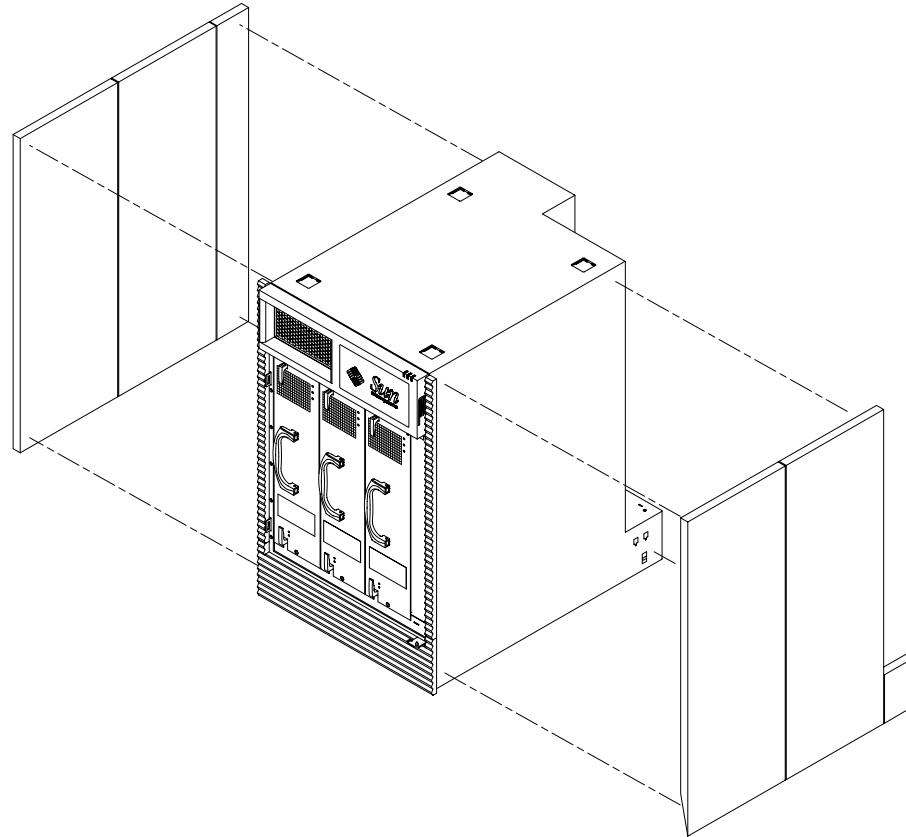
The Sun Fire 4800 system should be elevated above the floor with a computer equipment lift so the bottom of the system can be accessed.

1. Secure each of the four casters to the bottom of the Sun Fire 4800 system using four M6 screws for each caster.
2. When all casters are secured, lock the casters in place so the system will not roll.

At this point, the system can be lowered from the computer equipment lift.

Installing the Panels

1. Hold each panel flush to the system so that the top of the panel is a half inch above the panel location shown in the figure below.
2. Slide the panel firmly downwards until the panel locks into place.
If the panel is not held flush to the system the bottom of the panel may not lock into place.
3. Repeat Step 1 and Step 2 for all six panels.



Installing the Bumper

1. Position the bumper against the lower, rear section of the system. Install the bumper with the cable clamps on the top.
2. Secure the bumper using four M5 screws.

