

Sun Fire™ Midrange Systems Powering On and Off Guide

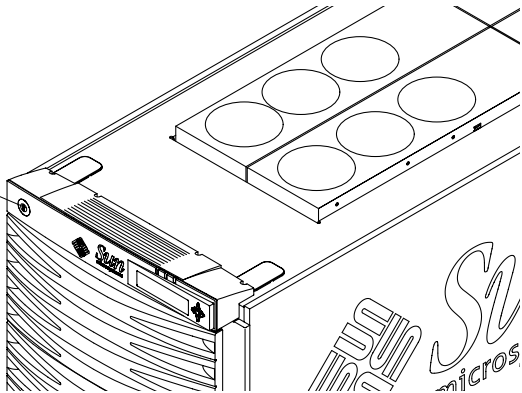
Sun Fire E6900/E4900 Systems

Sun Fire 6800/4800 Systems

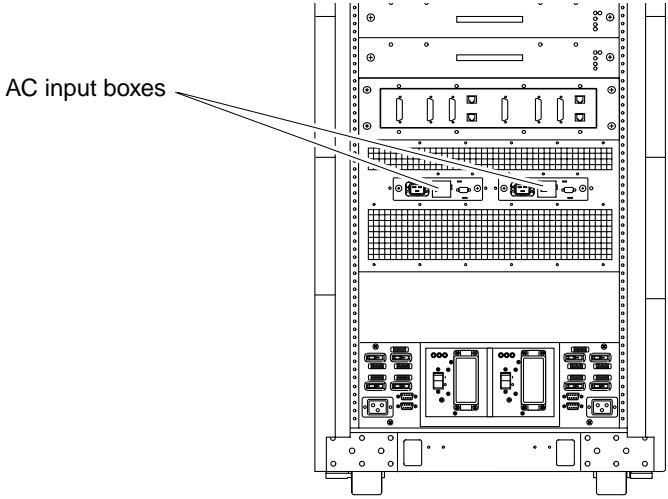
Powering Off the System

1. Refer to the system administration manual for your product for complete step-by-step commands for powering off the domains and the system.
2. If your Sun Fire™ system is not mounted in a Sun Fire cabinet, skip to Step 4.
3. Turn the keyswitch on the FrameManager to the Off position.

FrameManager
keyswitch

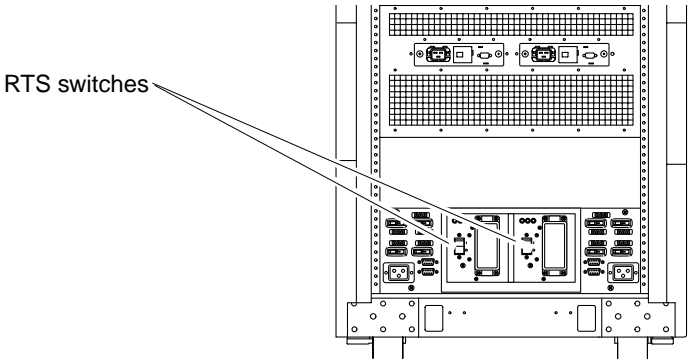


4. Turn off the AC input box(es) (Sun Fire 6800 system shown).



5. If your Sun Fire system is not mounted in a Sun Fire cabinet, ignore Step 6.

6. Turn off the Redundant Transfer Switches (RTS).



Powering On the System

- 1. If your Sun Fire system is not mounted in a Sun Fire cabinet, skip to Step 4.**
- 2. Turn on the RTS switches, if you are working on a system that has RTS modules.**

It will take 30 seconds to one minute for the RTS modules to power on.
- 3. Check that all of the circuit breakers on each side of the RTU are on.**
- 4. Turn on the AC input box(es).**
- 5. Make sure that the rack fan trays are switched on.**

This switch is located in the back of the cabinet, below the power cord socket on each rack fan tray.
- 6. If your Sun Fire system is not mounted in a Sun Fire cabinet, skip to Step 8.**
- 7. Turn the keyswitch on the FrameManager to the On position.**

Refer to the system administration manual for your product for complete procedures for powering on the system.
- 8. Power on the remaining domains.**

Accessing Sun Documentation

You can view, print, or purchase a broad selection of Sun documentation, including localized versions, at:

<http://www.sun.com/documentation>

Contacting Sun Technical Support

If you have technical questions about this product that are not answered in this document, go to:

<http://www.sun.com/service/contacting>

Sun Welcomes Your Comments

Sun is interested in improving its documentation and welcomes your comments and suggestions. You can submit your comments by going to:

<http://www.sun.com/hwdocs/feedback>

Please include the title and part number of your document with your feedback:

Sun Fire Midrange Systems Powering On and Off Guide, part number 806-2956-13

Copyright 2004 Sun Microsystems, Inc. All rights reserved. Use is subject to license terms. Third-party software, including font technology, is copyrighted and licensed from Sun suppliers. Portions may be derived from Berkeley BSD systems, licensed from U. of CA. Sun, Sun Microsystems, the Sun logo, Sun Fire, and Solaris are trademarks or registered trademarks of Sun Microsystems, Inc. in the U.S. and in other countries. All SPARC trademarks are used under license and are trademarks or registered trademarks of SPARC International, Inc. in the U.S. and in other countries. U.S. Government Rights—Commercial use. Government users are subject to the Sun Microsystems, Inc. standard license agreement and applicable provisions of the FAR and its supplements.

Copyright 2004 Sun Microsystems, Inc. Tous droits réservés. Distribué par des licences qui en restreignent l'utilisation. Le logiciel détenu par des tiers, et qui comprend la technologie relative aux polices de caractères, est protégé par un copyright et licencié par des fournisseurs de Sun. Des parties de ce produit pourront être dérivées des systèmes Berkeley BSD licenciés par l'Université de Californie. Sun, Sun Microsystems, le logo Sun, Sun Fire, et Solaris sont des marques de fabrique ou des marques déposées de Sun Microsystems, Inc. aux Etats-Unis et dans d'autres pays. Toutes les marques SPARC sont utilisées sous licence et sont des marques de fabrique ou des marques déposées de SPARC International, Inc. aux Etats-Unis et dans d'autres pays.



Sun Microsystems, Inc.
www.sun.com