

Firmware Upgrade Changes

When running firmware 5.12.5 (or higher) and RTOS 19 (or higher), the firmware upgrade procedure is slightly different. The firmware and RTOS images are upgraded only when the image to install is different than the image that is already installed. The firmware is upgraded early in the SC boot process.

To upgrade the firmware, RTOS and all of the system boards (CPU/Memory and I/O assemblies), type the following `flashupdate` command :

```
schostname:SC> flashupdate -f URL all rtos
```

Firmware On Existing Boards and Assemblies

After installing new CPU/Memory boards, use the `showboards -p proms` command to determine if the firmware needs to be updated. If an update is required use the system controller `flashupdate -f` command. Refer to the *Sun Fire 6800/4810/4800/3800 System Controller Command Reference Manual* for correct usage of the `flashupdate` command.

Accessing Sun Documentation

You can view and print a broad selection of Sun™ documentation, including localized versions, at:

<http://www.sun.com/documentation>

Ordering Sun Documentation

You can also purchase printed copies of select Sun documentation from iUniverse, the Sun documentation provider, at:

<http://corppub.iuniverse.com/marketplace/sun/>

Sun Welcomes Your Comments

Sun is interested in improving its documentation and welcomes your comments and suggestions. You can email your comments to Sun at:

docfeedback@sun.com

Please include the part number (816-3798-13) of the document in the subject line of your email.

Sun Fire™ 15K/12K/6800/4810/
4800/3800 Systems
UltraSPARC III™ (Cu) 900 MHz,
1.05 GHz and 1.2 GHz
CPU/Memory Board Upgrade

Copyright 2003 Sun Microsystems, Inc. All rights reserved. Use is subject to license terms. Third-party software, including font technology, is copyrighted and licensed from Sun suppliers. Sun, Sun Microsystems, the Sun logo, AnswerBook2, docs.sun.com, Sun Fire, UltraSPARC, and Solaris are trademarks, registered trademarks, or service marks of Sun Microsystems, Inc. in the U.S. and other countries. Federal Acquisitions: Commercial Software—Government Users Subject to Standard License Terms and Conditions.

Copyright 2003 Sun Microsystems, Inc. Tous droits réservés. Distribué par des licences qui en restreignent l'utilisation. Le logiciel détenu par des tiers, et qui comprend la technologie relative aux polices de caractères, est protégé par un copyright et licencié par des fournisseurs de Sun. Sun, Sun Microsystems, le logo Sun, AnswerBook2, docs.sun.com, Sun Fire, UltraSPARC, et Solaris sont des marques de fabrique ou des marques déposées, ou marques de service, de Sun Microsystems, Inc. aux Etats-Unis et dans d'autres pays.



Sun Microsystems, Inc., 4150 Network Circle, Santa Clara, CA 95054 U.S.A.
650 960-1300, Fax 650 969-9131



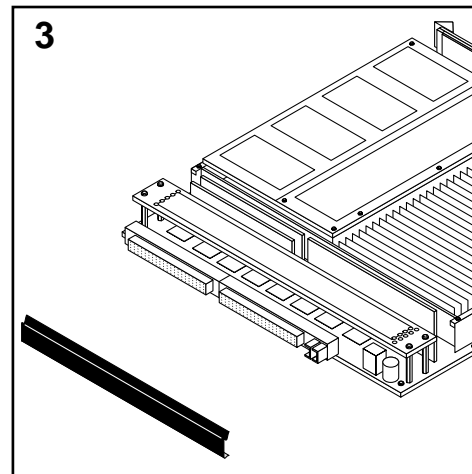
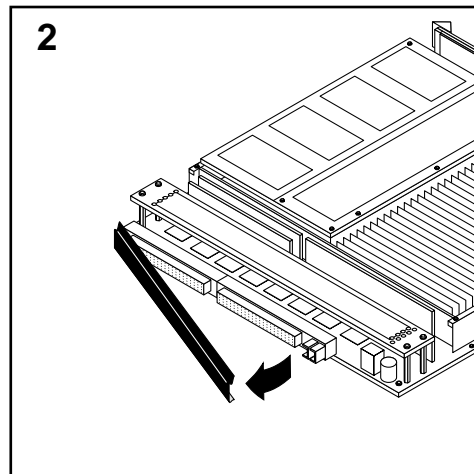
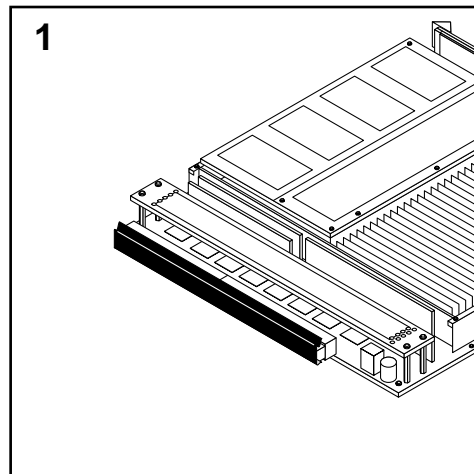
Part Number: 816-3798-13
April 2003, Revision A

 **CAUTION** 
READ ME FIRST

Failure to follow these procedures will cause your system to not recognize the new CPU/Memory board. Firmware on all boards and assemblies must be at the same level as the new CPU/Memory board.



Caution - Remove the plastic connector protector before inserting board into the system chassis.



Upgrading Current Systems to 900 MHz, 1.05 GHz, or 1.2 GHz CPU/Memory+ Boards

The types of CPU/Memory board available are:

- UltraSPARC III (Cu) 900 MHz processor—known as CPU/Memory+ 900 MHz board
- UltraSPARC III (Cu) 1.05 GHz processor—known as CPU/Memory+ 1.05 GHz board
- UltraSPARC III (Cu) 1.2 GHz processor—known as CPU/Memory+ 1.2 GHz board



Caution – Mixing CPU/Memory boards with CPU/Memory+ boards in the same chassis is not supported. You must install CPU/Memory boards of the same type (either CPU/Memory boards or CPU/Memory+ boards) in the same chassis.

Note – The CPU/Memory or CPU/Memory+ board field-replaceable unit (FRU) is for maintenance use only. FRUs must not be used to upgrade CPU performance in systems. Usage as such can violate United States export regulations.

Minimum Firmware and OS Requirements

The following minimum requirement must be met for upgrading:

For Sun Fire 6800/4810/4800/3800 systems:

- For CPU/Memory+ 900 MHz, 1.05 and 1.2 GHz boards:
 - Firmware level 5.13.5 with RTOS 26 or 5.14.4 and RTOS 26
 - Solaris 8 10/01

For Sun Fire 15K/12K systems:

- For CPU/Memory+ 900 MHz, 1.05 and 1.2 GHz boards:
 - SMS 1.2 patch ID 112488-11 or SMS 1.3 patch ID 114608-01
 - Solaris 8 10/01

Note – The patch ID for 5.13.5 is 112494-08 and 5.14.4 is 112883-05. These patches can be found at:

<http://sunsolve.sun.com>

Installation information, Release Notes and README files are included in the patch download.