



# Sun Fire™ High-End and Midrange Systems Memory Module (DIMM) Installation Guide

Sun Fire E25K/E20 Systems

Sun Fire 15K/12K Systems

Sun Fire E6900/E4900 Systems

Sun Fire 6800/4810/4800/3800 Systems

Sun Fire E2900 System

Sun Fire V1280/Netra 1280 Systems

---

---

## DIMM Sockets

CPU/Memory and CPU/Memory+ boards for Sun Fire™ high-end and midrange systems have 32 DIMM sockets. These sockets are divided into four groups with two banks (four slots each) for each CPU module. A label on the board lists a three-digit location for each slot. The first, second, and third digits indicate the corresponding CPU processor (0–3), DIMM group in a bank (0 or 1), and data output (0–3).

## DIMM Installation Rules

- Each DIMM bank must be fully populated with the same capacity DIMM.
- Install the larger capacity DIMMs into banks before installing the smaller capacity DIMMs into banks.
- The minimum number of DIMMs you can install per CPU processor is four DIMMs or one bank.
- If the number of CPU processors on each CPU/Memory board are the same, place DIMM banks on CPU/Memory boards that have fewer populated DIMM banks before placing DIMMs on CPU/Memory boards that already have more populated DIMM banks.
- If some CPU/Memory boards have more CPU processors than others, place DIMMs in DIMM banks on the board with the most CPU processors. There will be CPU processors without corresponding DIMMs on other boards.



---

**Caution** – 1 gigabyte SDRAM DIMMs are only for use with the CPU/Memory+ boards.

---

# Installing DIMMs

1. Place a padded and grounded ESD mat close to the system.

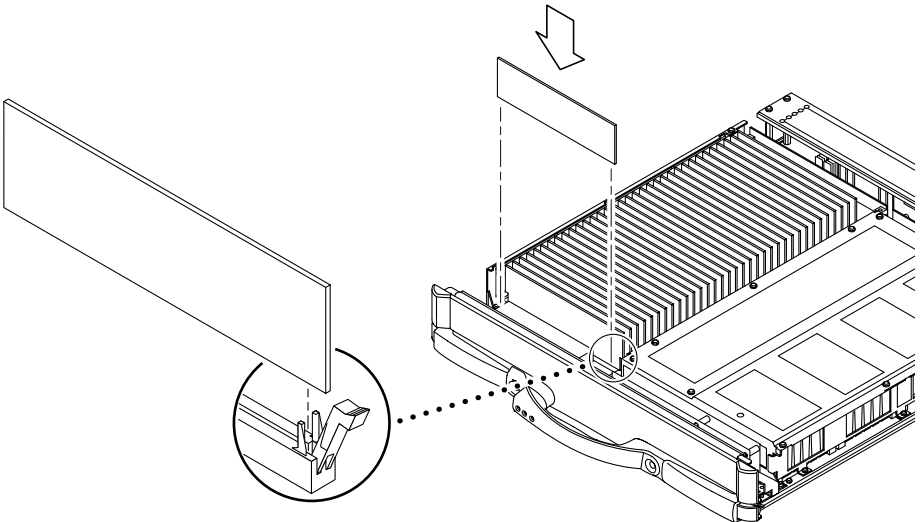


**Caution** – Use a padded ESD mat. The padding prevents flexing that can damage the board.

2. Wear an ESD strap and connect it to the system.
3. Remove the CPU/Memory board and place it on the ESD mat.  
Refer to your system service manual.
4. Carefully remove the new DIMM from its protective packaging and place it on the ESD mat.

**Note** – Memory banks associated with CPU0 and CPU2 are oriented in the same direction, while banks for CPU1 and CPU3 are rotated 180 degrees.

5. Open the empty DIMM slot by pressing down on the ejector levers at both ends of the connector.  
The connector will not accept the DIMM unless the levers are in the open position.
6. Align the DIMM with the connector.
7. Place your thumbs on the top edge of the DIMM and push the DIMM firmly straight down into its connector. Do not rock the DIMM from side to side.



---

**8. Press down firmly on the entire top edge of the DIMM.**

When the DIMM is installed correctly, the ejector levers will be in the upright position.

**9. Continue installing the remaining DIMMs in the same manner.**

If you are installing four DIMMs, install them in alternating DIMM slots.

**10. Install the CPU/Memory board.**

Refer to your system service manual.

# Removing DIMMs

1. Place a padded and grounded ESD mat close to the system.

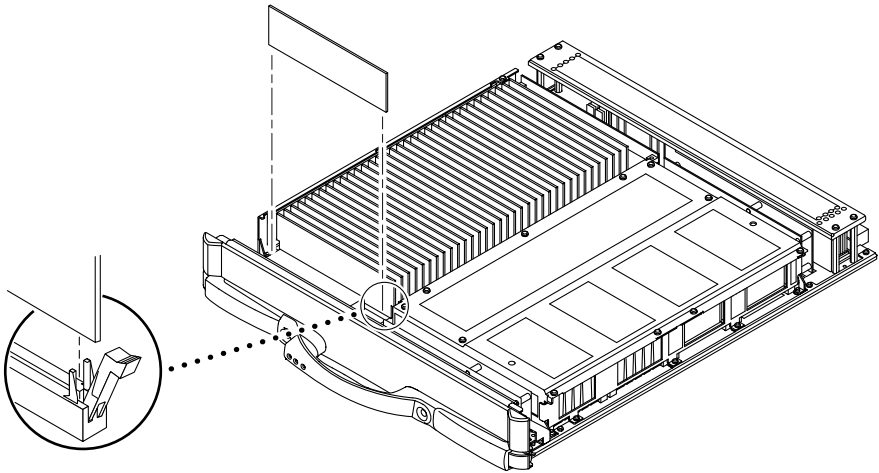


---

**Caution** – Use a padded ESD mat. The padding prevents flexing that can damage the board.

---

2. Wear an ESD strap and connect it to the system.
3. Remove the CPU/Memory board and place it on the ESD mat.  
Refer to your system service manual.
4. Locate the slot for the DIMM you need to replace.
5. Eject the faulty DIMM by pressing down on the ejector levers on both sides of the DIMM connector.



6. Holding the DIMM by its edges, remove it from the slot and place it on the ESD mat.

## Accessing Sun Documentation

You can view, print, or purchase a broad selection of Sun documentation, including localized versions, at:

<http://www.sun.com/documentation>

## Contacting Sun Technical Support

If you have technical questions about this product that are not answered in this document, go to:

<http://www.sun.com/service/contacting>

## Sun Welcomes Your Comments

Sun is interested in improving its documentation and welcomes your comments and suggestions. You can submit your comments by going to:

<http://www.sun.com/hwdocs/feedback>

Please include the title and part number of your document with your feedback:

*Sun Fire High-End and Midrange Systems Memory Module (DIMM) Installation Guide*, part number 806-3281-13

Copyright 2004 Sun Microsystems, Inc. All rights reserved. Use is subject to license terms. Third-party software, including font technology, is copyrighted and licensed from Sun suppliers. Portions may be derived from Berkeley BSD systems, licensed from U. of CA. Sun, Sun Microsystems, the Sun logo, Sun Fire, and Solaris are trademarks or registered trademarks of Sun Microsystems, Inc. in the U.S. and in other countries. All SPARC trademarks are used under license and are trademarks or registered trademarks of SPARC International, Inc. in the U.S. and in other countries. U.S. Government Rights—Commercial use. Government users are subject to the Sun Microsystems, Inc. standard license agreement and applicable provisions of the FAR and its supplements.

Copyright 2004 Sun Microsystems, Inc. Tous droits réservés. Distribué par des licences qui en restreignent l'utilisation. Le logiciel détenu par des tiers, et qui comprend la technologie relative aux polices de caractères, est protégé par un copyright et licencié par des fournisseurs de Sun. Des parties de ce produit pourront être dérivées des systèmes Berkeley BSD licenciés par l'Université de Californie. Sun, Sun Microsystems, le logo Sun, Sun Fire, et Solaris sont des marques de fabrique ou des marques déposées de Sun Microsystems, Inc. aux Etats-Unis et dans d'autres pays. Toutes les marques SPARC sont utilisées sous licence et sont des marques de fabrique ou des marques déposées de SPARC International, Inc. aux Etats-Unis et dans d'autres pays.



Sun Microsystems, Inc.  
[www.sun.com](http://www.sun.com)