

Sun Fire™ E2900/V1280 and Netra™ 1280 Systems CPU/Memory Filler Board Installation Guide

If you remove a CPU/Memory board, install a filler board to maintain proper cooling of the system.

Installing the CPU/Memory Filler Board

1. Remove the CPU/Memory board from the system:

Refer to your system's service manual. Observe the precautions listed in the service manual.

2. Install the CPU/Memory filler board.

a. Make sure that the ejector levers of the filler board are in the open position.

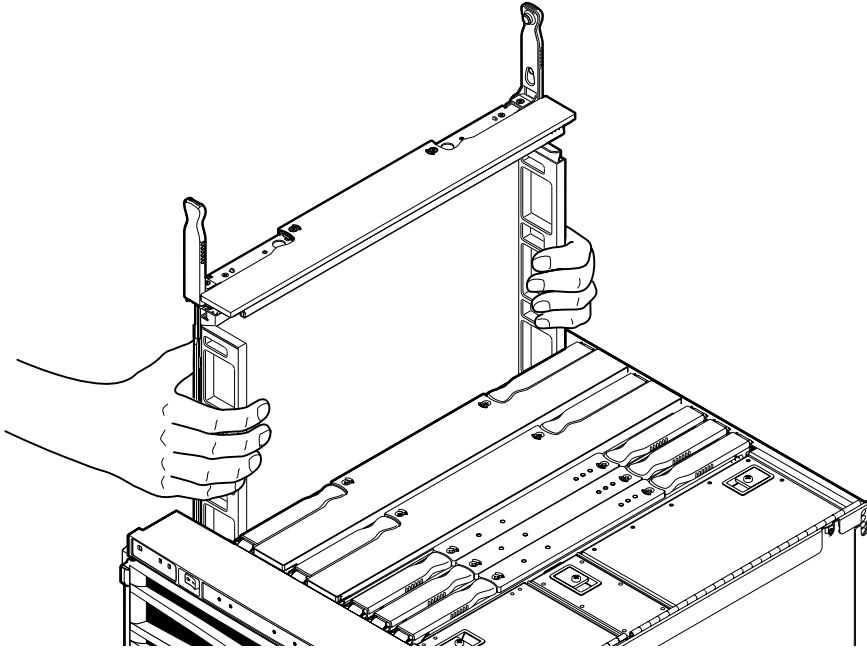
They should be oriented 90 degrees straight out from the board during the entire procedure.



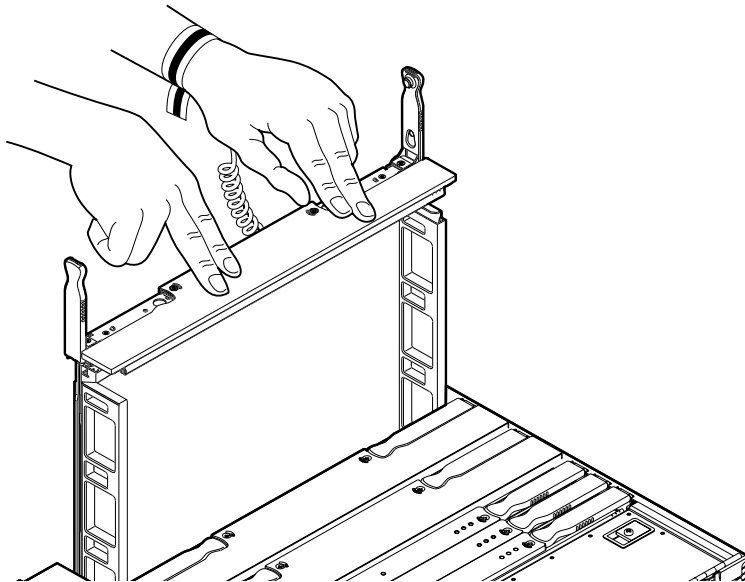
Caution – DO NOT FORCE any board into a slot. Doing so can damage the board and system. The board should insert and seat smoothly. If it binds, remove the board and inspect the card cage slot for any obvious obstructions.

b. Hold the sides of the filler board and gently insert the board into the grooves until the antigravity clutch is engaged.

The antigravity clutch holds the board in position so that it can be released without the board sliding down into the system.



- c. Slowly push down from the center top of the CPU/Memory filler board as shown below, until the top face of the board is approximately three to four inches from the top of chassis.**



- d. When the board is approximately three to four inches from the top of the chassis, change your grip and grasp the ejector levers so that they are oriented in the vertical position, 90 degrees straight out from the board.**



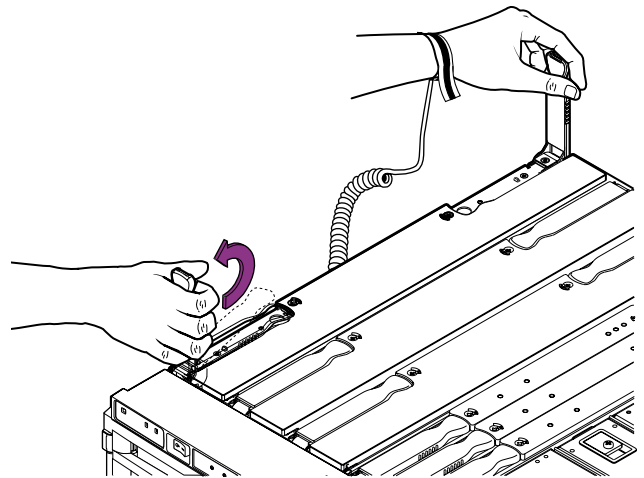
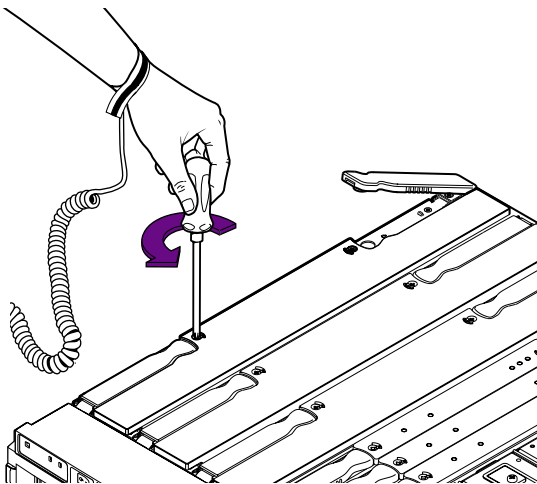
Caution – Metal pins on the underside of the ejector levers help to cushion the CPU/Memory filler board after the antigravity clutch is released. If the levers are not 90 degrees straight out from the top of the board, there is a chance the connectors could be damaged.

Note – Simultaneously with the board nearing its fully seated position, the ejectors will be forced mechanically to a position approximately 45 degrees towards board center.

- e. To complete the seating, lower the board using the ejector levers until the levers are forced approximately 45 degrees towards the inside of the board.
- f. Reposition your grip on the levers and then push down on the levers to lock them into place.

Removing the Filler Board

1. Prepare the system for the installation of a CPU/Memory board.
Refer to the service manual for detailed instructions. Observe the precautions listed in the manual.
2. Remove the filler board:
 - a. Unlock the ejector levers on the CPU/Memory Filler board with a Phillips no. 2 screwdriver. The ejectors will pop out slightly.
 - b. Raise the ejector levers simultaneously until they are 90 degrees straight out from the board.



- c. Grasp the ejector levers and pull upwards to raise the CPU/Memory filler board out of the system.
3. Install a CPU/Memory board in the empty slot.



Caution – To maintain proper cooling of the system, do not allow the slot to remain empty.

Accessing Sun Documentation

You can view, print, or purchase a broad selection of Sun documentation, including localized versions, at:

<http://www.sun.com/documentation>

Contacting Sun Technical Support

If you have technical questions about this product that are not answered in this document, go to:

<http://www.sun.com/service/contacting>

Sun Welcomes Your Comments

Sun is interested in improving its documentation and welcomes your comments and suggestions. You can submit your comments by going to:

<http://www.sun.com/hwdocs/feedback>

Please include the title and part number of your document with your feedback:

Sun Fire E2900/V1280 and Netra 1280 Systems CPU/Memory Filler Board Installation Guide, part number 817-2676-11

Copyright 2004 Sun Microsystems, Inc. All rights reserved. Use is subject to license terms. Third-party software, including font technology, is copyrighted and licensed from Sun suppliers. Portions may be derived from Berkeley BSD systems, licensed from U. of CA. Sun, Sun Microsystems, the Sun logo, Sun Fire, Netra, and Solaris are trademarks or registered trademarks of Sun Microsystems, Inc. in the U.S. and in other countries. All SPARC trademarks are used under license and are trademarks or registered trademarks of SPARC International, Inc. in the U.S. and in other countries. U.S. Government Rights—Commercial use. Government users are subject to the Sun Microsystems, Inc. standard license agreement and applicable provisions of the FAR and its supplements.

Copyright 2004 Sun Microsystems, Inc. Tous droits réservés. Distribué par des licences qui en restreignent l'utilisation. Le logiciel détenu par des tiers, et qui comprend la technologie relative aux polices de caractères, est protégé par un copyright et licencié par des fournisseurs de Sun. Des parties de ce produit pourront être dérivées des systèmes Berkeley BSD licenciés par l'Université de Californie. Sun, Sun Microsystems, le logo Sun, Sun Fire, Netra, et Solaris sont des marques de fabrique ou des marques déposées de Sun Microsystems, Inc. aux Etats-Unis et dans d'autres pays. Toutes les marques SPARC sont utilisées sous licence et sont des marques de fabrique ou des marques déposées de SPARC International, Inc. aux Etats-Unis et dans d'autres pays.



Sun Microsystems, Inc.
www.sun.com