



Sun Fire™ V1280/Netra™ 1280 Systems Product Notes

Sun Microsystems, Inc.
www.sun.com

Part No. 817-5342-10
March 2004, Revision A

Submit comments about this document at: <http://www.sun.com/hwdocs/feedback>

Copyright 2004 Sun Microsystems, Inc., 4150 Network Circle, Santa Clara, California 95054, U.S.A. All rights reserved.

Sun Microsystems, Inc. has intellectual property rights relating to technology that is described in this document. In particular, and without limitation, these intellectual property rights may include one or more of the U.S. patents listed at <http://www.sun.com/patents> and one or more additional patents or pending patent applications in the U.S. and in other countries.

This document and the product to which it pertains are distributed under licenses restricting their use, copying, distribution, and decompilation. No part of the product or of this document may be reproduced in any form by any means without prior written authorization of Sun and its licensors, if any.

Third-party software, including font technology, is copyrighted and licensed from Sun suppliers.

Parts of the product may be derived from Berkeley BSD systems, licensed from the University of California. UNIX is a registered trademark in the U.S. and in other countries, exclusively licensed through X/Open Company, Ltd.

Sun, Sun Microsystems, the Sun logo, AnswerBook2, docs.sun.com, Sun Fire, Netra, and Solaris are trademarks or registered trademarks of Sun Microsystems, Inc. in the U.S. and in other countries.

All SPARC trademarks are used under license and are trademarks or registered trademarks of SPARC International, Inc. in the U.S. and in other countries. Products bearing SPARC trademarks are based upon an architecture developed by Sun Microsystems, Inc.

The OPEN LOOK and Sun™ Graphical User Interface was developed by Sun Microsystems, Inc. for its users and licensees. Sun acknowledges the pioneering efforts of Xerox in researching and developing the concept of visual or graphical user interfaces for the computer industry. Sun holds a non-exclusive license from Xerox to the Xerox Graphical User Interface, which license also covers Sun's licensees who implement OPEN LOOK GUIs and otherwise comply with Sun's written license agreements.

U.S. Government Rights—Commercial use. Government users are subject to the Sun Microsystems, Inc. standard license agreement and applicable provisions of the FAR and its supplements.

DOCUMENTATION IS PROVIDED "AS IS" AND ALL EXPRESS OR IMPLIED CONDITIONS, REPRESENTATIONS AND WARRANTIES, INCLUDING ANY IMPLIED WARRANTY OF MERCHANTABILITY, FITNESS FOR A PARTICULAR PURPOSE OR NON-INFRINGEMENT, ARE DISCLAIMED, EXCEPT TO THE EXTENT THAT SUCH DISCLAIMERS ARE HELD TO BE LEGALLY INVALID.

Copyright 2004 Sun Microsystems, Inc., 4150 Network Circle, Santa Clara, Californie 95054, Etats-Unis. Tous droits réservés.

Sun Microsystems, Inc. a les droits de propriété intellectuelle relatants à la technologie qui est décrit dans ce document. En particulier, et sans la limitation, ces droits de propriété intellectuelle peuvent inclure un ou plus des brevets américains énumérés à <http://www.sun.com/patents> et un ou les brevets plus supplémentaires ou les applications de brevet en attente dans les Etats-Unis et dans les autres pays.

Ce produit ou document est protégé par un copyright et distribué avec des licences qui en restreignent l'utilisation, la copie, la distribution, et la décompilation. Aucune partie de ce produit ou document ne peut être reproduite sous aucune forme, par quelque moyen que ce soit, sans l'autorisation préalable et écrite de Sun et de ses bailleurs de licence, s'il y en a.

Le logiciel détenu par des tiers, et qui comprend la technologie relative aux polices de caractères, est protégé par un copyright et licencié par des fournisseurs de Sun.

Des parties de ce produit pourront être dérivées des systèmes Berkeley BSD licenciés par l'Université de Californie. UNIX est une marque déposée aux Etats-Unis et dans d'autres pays et licenciée exclusivement par X/Open Company, Ltd.

Sun, Sun Microsystems, le logo Sun, AnswerBook2, docs.sun.com, Sun Fire, Netra, et Solaris sont des marques de fabrique ou des marques déposées de Sun Microsystems, Inc. aux Etats-Unis et dans d'autres pays.

Toutes les marques SPARC sont utilisées sous licence et sont des marques de fabrique ou des marques déposées de SPARC International, Inc. aux Etats-Unis et dans d'autres pays. Les produits portant les marques SPARC sont basés sur une architecture développée par Sun Microsystems, Inc.

L'interface d'utilisation graphique OPEN LOOK et Sun™ a été développée par Sun Microsystems, Inc. pour ses utilisateurs et licenciés. Sun reconnaît les efforts de pionniers de Xerox pour la recherche et le développement du concept des interfaces d'utilisation visuelle ou graphique pour l'industrie de l'informatique. Sun détient une licence non exclusive de Xerox sur l'interface d'utilisation graphique Xerox, cette licence couvrant également les licenciées de Sun qui mettent en place l'interface d'utilisation graphique OPEN LOOK et qui en outre se conforment aux licences écrites de Sun.

LA DOCUMENTATION EST FOURNIE "EN L'ÉTAT" ET TOUTES AUTRES CONDITIONS, DECLARATIONS ET GARANTIES EXPRESSES OU TACITES SONT FORMELLEMENT EXCLUES, DANS LA MESURE AUTORISEE PAR LA LOI APPLICABLE, Y COMPRIS NOTAMMENT TOUTE GARANTIE IMPLICITE RELATIVE A LA QUALITE MARCHANDE, A L'APTITUDE A UNE UTILISATION PARTICULIERE OU A L'ABSENCE DE CONTREFAÇON.



Sun Fire™ V1280/Netra™ 1280 Systems Product Notes

The following topics are included in this product note:

- “Locking Nuts” on page 1
- “Using the Shipping Cradle to Move a System Between Cabinets” on page 2

Locking Nuts

Locking nuts and retention washers are currently installed¹ on the right and left slides when the systems ship installed in a cabinet.

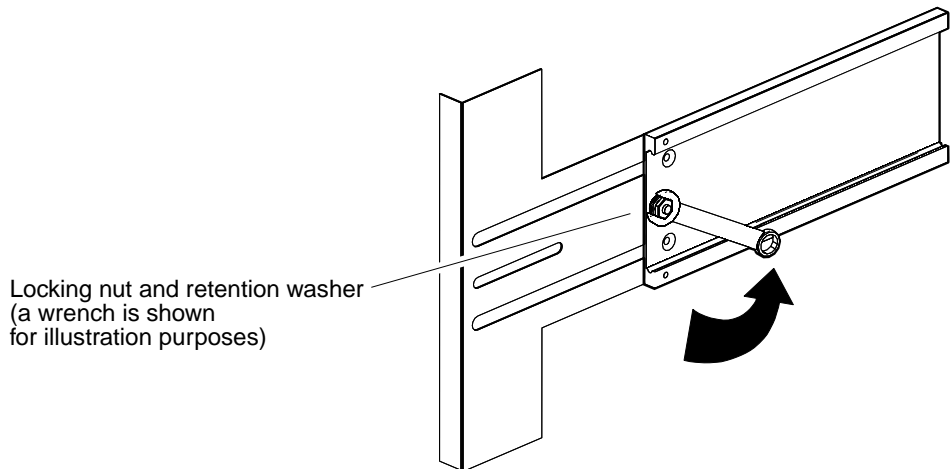


FIGURE 1 Locking Nut

1. Some early systems may not have shipped with locking nuts and retention washers.

For Netra™ 1280 systems only: The locking nuts and retention washers must be left in place for NEBS compliance. Do not remove the nuts and washers except when necessary to slide the system out of the cabinet for maintenance. Reinstall the nuts and washers when maintenance is finished.

For Sun Fire™ V1280 systems only: If installed, the locking nuts and retention washers must be removed to allow the slides to operate normally. Save the nuts and washers for future use.

Using the Shipping Cradle to Move a System Between Cabinets

When shipped from the factory, a Sun Fire V1280/Netra 1280 system is mounted on an orange metal shipping cradle.

If it is necessary to move a system from one cabinet to another, reuse the shipping cradle during the move. The shipping cradle acts as a pallet to protect the system, and the cradle handles have captive screws to securely mount to the system to prevent it from slipping off the cradle.

Note – When you choose a method to move the system, keep in mind that the system weighs 240 to 290 pounds (109 to 132 kg). If possible, use a mechanical lifting device such as the one shown in FIGURE 4.

- 1. If the handles were removed from the shipping cradle for storage, reattach them in the following manner:**

Note – In the following illustrations, right and left orientation are as you face the word “FRONT” on the base plate. The top and bottom halves of the base plate are identical, so you can start with either the top or bottom face up.

- a. As shown in FIGURE 2, align the two guide posts on the handle with the entry holes on the L-shaped slide cutouts.**

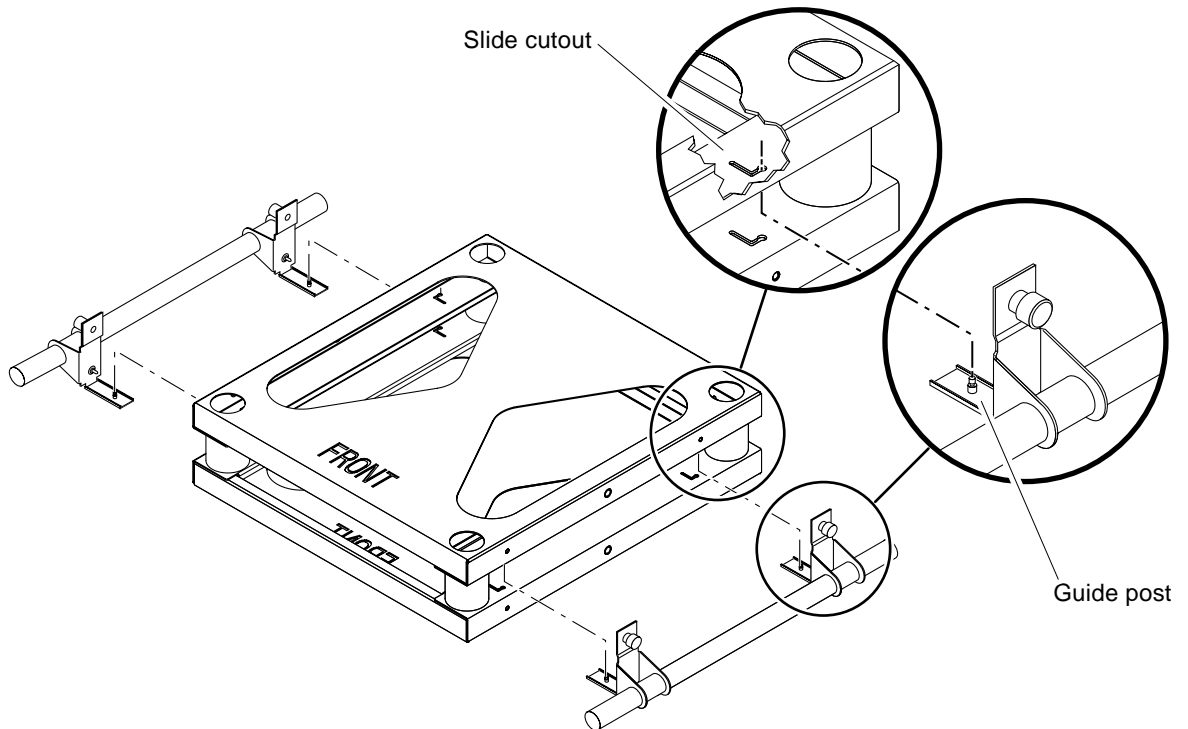


FIGURE 2 Shipping Cradle Details

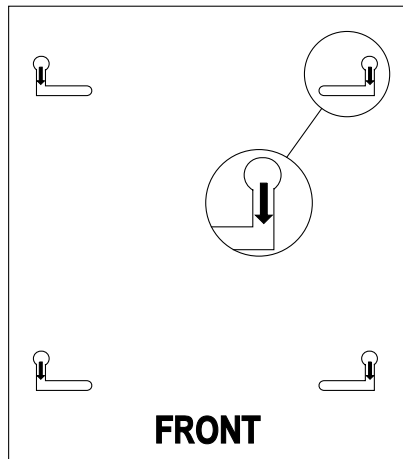
b. Raise the handle so that the tops of the front and rear guide posts fit into entry holes in the cutouts.

The grooves in the guide posts fit into the narrow slots in the cutouts.

c. Slide the handle and guide posts toward the front of the shipping cradle (FIGURE 3).

Note – Do not tighten the captive screws on the handle. Leave both handles loosely attached, so that there is room between them for the system to be placed onto the shipping cradle.

d. Attach the other handle in the same manner.



(The shipping cradle drawing has been simplified to show only the details of the slide cutouts)

FIGURE 3 Slide Cutouts

2. Power down the system.

Refer to the system service manual for your system for a safe procedure to halt the operating system and put the system into standby mode.

3. Extend the cabinet stabilizer and lock it in position (as applicable).

Note – For supplemental details about this step and other steps in the rest of this procedure, refer to the system installation guide for your system.

4. Disconnect the I/O and power cables attached to the system.

5. Remove the cable management arm from the back of the system (as applicable).

6. (Optional) remove the front bezel doors.

This protects the doors from potential damage during the move.

a. Open the door and press down on the hinge pin levers to release the hinges.

b. Lift the door off the hinge pins and store the door in a safe place.

c. Repeat Step a and Step b for the second front bezel door.

7. For a Sun Fire V1280 system, loosen the captive screws that hold the front of the system to the cabinet.

8. If locking nuts and retention washers are installed (FIGURE 1), remove them and store for future use.

9. Pull the Sun Fire V1280/Netra 1280 system out of the cabinet until the slides lock into the fully extended position.
10. Raise the shipping cradle up to the system (FIGURE 4). Orient the front of the shipping cradle with the front of the system.

This orientation allows the upper captive screws on the handles to align with the mounting holes that are on the sides of the system.

Note – If you use a mechanical lifting device, insert the forks of the lifting device fully through the shipping cradle opening to provide maximum support.

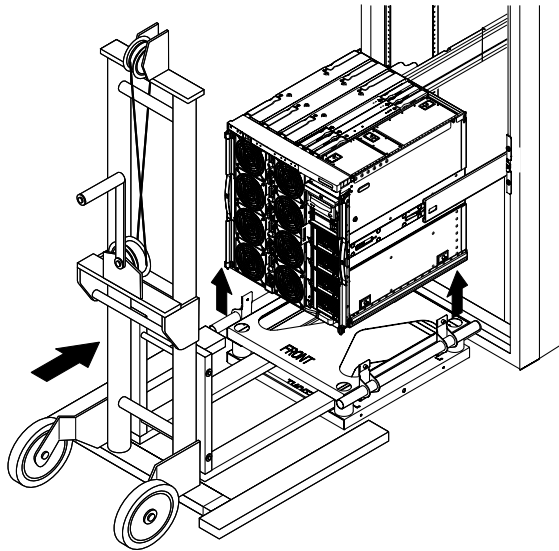


FIGURE 4 Positioning the Shipping Cradle

11. Slide the shipping cradle handles inward until they contact the sides of the system (FIGURE 5). Tighten all eight captive screws.

If necessary, reposition the system on the cradle to align the captive screws with the corresponding holes.



Caution – Do not place the full weight of the system on the shipping cradle until you have secured all eight screws.

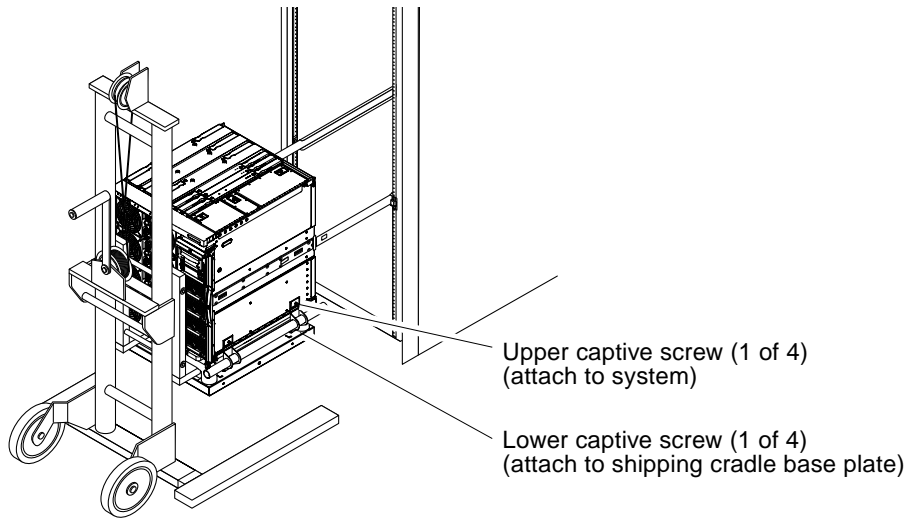


FIGURE 5 Attaching the Captive Screws

12. Support the full weight of the system, taking the load off the mounting slides.



Caution – Do NOT continue until you have the weight of the system fully supported. The system weighs 240 to 290 pounds (109 to 132 kg).

13. With the system safely supported, press the silver-colored slide lock buttons (FIGURE 6) on the right and left rail assemblies, and pull the system free.

There are two lock buttons (green and silver) on each rail assembly. Use the silver button(s) for this step. The green buttons are for sliding the system back into the cabinet.

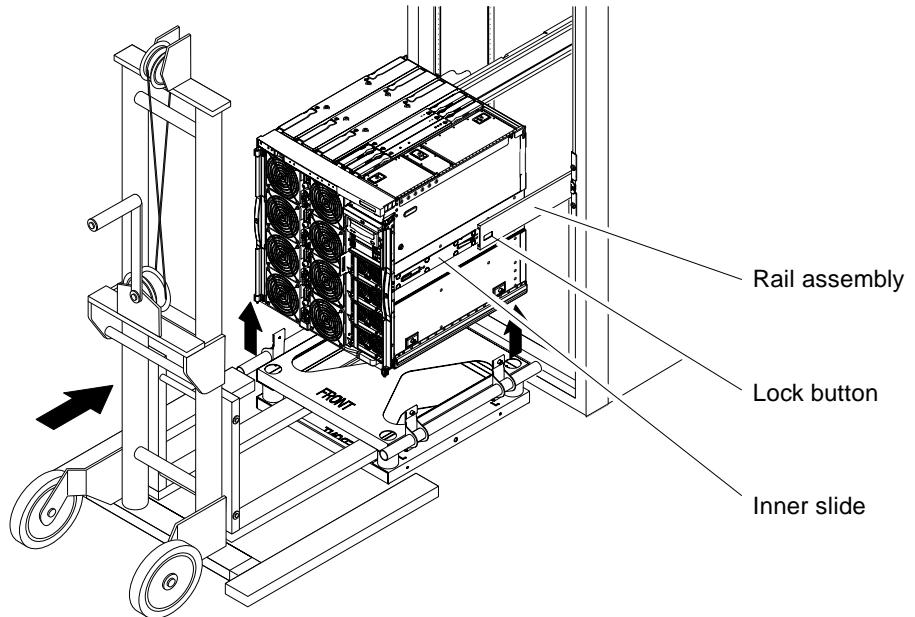


FIGURE 6 Unlocking an Inner Slide Button

14. Remove the rail assemblies from the old cabinet and install them in the new cabinet.

There are two screws on the front of each rail assembly and two screws on the back. For the mounting hole numbers to use in the new cabinet, refer to the system installation guide for your system.

15. Install the system in the new cabinet.

Complete installation procedures are described in your system's installation guide.

Accessing Sun Documentation

You can view, print, or purchase a broad selection of Sun documentation, including localized versions, at:
<http://www.sun.com/documentation>

Contacting Sun Technical Support

If you have technical questions about this product that are not answered in this document, go to:
<http://www.sun.com/service/contacting>

Sun Welcomes Your Comments

Sun is interested in improving its documentation and welcomes your comments and suggestions. You can submit your comments by going to:

<http://www.sun.com/hwdocs/feedback>

Please include the title and part number of your document with your feedback:

Sun Fire V1280/Netra 1280 Systems Product Notes, part number 817-5342-10