

Netra™ t 1400/1405

Installation and User's Guide



THE NETWORK IS THE COMPUTER™

Sun Microsystems, Inc.
901 San Antonio Road
Palo Alto, CA 94303-4900 USA
650 960-1300 Fax 650 969-9131

Part No. 806-0575-10
September 1999, Revision A

Send comments about this document to: docfeedback@sun.com

Copyright 1999 Sun Microsystems, Inc., 901 San Antonio Road • Palo Alto, CA 94303 USA. All rights reserved.

This product or document is protected by copyright and distributed under licenses restricting its use, copying, distribution, and decompilation. No part of this product or document may be reproduced in any form by any means without prior written authorization of Sun and its licensors, if any. Third-party software, including font technology, is copyrighted and licensed from Sun suppliers.

Parts of the product may be derived from Berkeley BSD systems, licensed from the University of California. UNIX is a registered trademark in the U.S. and other countries, exclusively licensed through X/Open Company, Ltd.

Sun, Sun Microsystems, the Sun logo, AnswerBook, Java, the Java Coffee Cup, Netra and Solaris are trademarks, registered trademarks, or service marks of Sun Microsystems, Inc. in the U.S. and other countries. All SPARC trademarks are used under license and are trademarks or registered trademarks of SPARC International, Inc. in the U.S. and other countries. Products bearing SPARC trademarks are based upon an architecture developed by Sun Microsystems, Inc.

The OPEN LOOK and Sun™ Graphical User Interface was developed by Sun Microsystems, Inc. for its users and licensees. Sun acknowledges the pioneering efforts of Xerox in researching and developing the concept of visual or graphical user interfaces for the computer industry. Sun holds a non-exclusive license from Xerox to the Xerox Graphical User Interface, which license also covers Sun's licensees who implement OPEN LOOK GUIs and otherwise comply with Sun's written license agreements.

RESTRICTED RIGHTS: Use, duplication, or disclosure by the U.S. Government is subject to restrictions of FAR 52.227-14(g)(2)(6/87) and FAR 52.227-19(6/87), or DFAR 252.227-7015(b)(6/95) and DFAR 227.7202-3(a).

DOCUMENTATION IS PROVIDED "AS IS" AND ALL EXPRESS OR IMPLIED CONDITIONS, REPRESENTATIONS AND WARRANTIES, INCLUDING ANY IMPLIED WARRANTY OF MERCHANTABILITY, FITNESS FOR A PARTICULAR PURPOSE OR NON-INFRINGEMENT, ARE DISCLAIMED, EXCEPT TO THE EXTENT THAT SUCH DISCLAIMERS ARE HELD TO BE LEGALLY INVALID.

Copyright 1999 Sun Microsystems, Inc., 901 San Antonio Road • Palo Alto, CA 94303 Etats-Unis. Tous droits réservés.

Ce produit ou document est protégé par un copyright et distribué avec des licences qui en restreignent l'utilisation, la copie, la distribution, et la décompilation. Aucune partie de ce produit ou document ne peut être reproduite sous aucune forme, par quelque moyen que ce soit, sans l'autorisation préalable et écrite de Sun et de ses bailleurs de licence, s'il y en a. Le logiciel détenu par des tiers, et qui comprend la technologie relative aux polices de caractères, est protégé par un copyright et licencié par des fournisseurs de Sun.

Des parties de ce produit pourront être dérivées des systèmes Berkeley BSD licenciés par l'Université de Californie. UNIX est une marque déposée aux Etats-Unis et dans d'autres pays et licenciée exclusivement par X/Open Company, Ltd.

Sun, Sun Microsystems, le logo Sun, AnswerBook, Java, le logo Java Coffee Cup, Netra, et Solaris sont des marques de fabrique ou des marques déposées, ou marques de service, de Sun Microsystems, Inc. aux Etats-Unis et dans d'autres pays. Toutes les marques SPARC sont utilisées sous licence et sont des marques de fabrique ou des marques déposées de SPARC International, Inc. aux Etats-Unis et dans d'autres pays. Les produits portant les marques SPARC sont basés sur une architecture développée par Sun Microsystems, Inc.

L'interface d'utilisation graphique OPEN LOOK et Sun™ a été développée par Sun Microsystems, Inc. pour ses utilisateurs et licenciés. Sun reconnaît les efforts de pionniers de Xerox pour la recherche et le développement du concept des interfaces d'utilisation visuelle ou graphique pour l'industrie de l'informatique. Sun détient une licence non exclusive de Xerox sur l'interface d'utilisation graphique Xerox, cette licence couvrant également les licenciés de Sun qui mettent en place l'interface d'utilisation graphique OPEN LOOK et qui en outre se conforment aux licences écrites de Sun.

CETTE PUBLICATION EST FOURNIE "EN L'ETAT" ET AUCUNE GARANTIE, EXPRESSE OU IMPLICITE, N'EST ACCORDEE, Y COMPRIS DES GARANTIES CONCERNANT LA VALEUR MARCHANDE, L'APTITUDE DE LA PUBLICATION A REpondre A UNE UTILISATION PARTICULIERE, OU LE FAIT QU'ELLE NE SOIT PAS CONTREFAISANTE DE PRODUIT DE TIERS. CE DENI DE GARANTIE NE S'APPLIQUERAIT PAS, DANS LA MESURE OU IL SERAIT TENU JURIDIQUEMENT NUL ET NON AVENU.



Contents

Part I. Installation

1. Product Overview 1

System Unit Features 1

2. Installing the System 5

Environmental Considerations 5

Dimensions 5

Forced Air Cooling Requirements 6

Mechanical Considerations 7

Removing the Sacrificial Shipping Plates 7

Mounting Flanges 8

3. Installing the Electrical Supply 11

System Switch 11

Connectors 12

DC Source Site Requirements 12

Overcurrent Protection Requirements 13

Connection Materials 13

Grounding 13

DC Supply and Ground Conductor 13

Power and Grounding Connections	14
AC Source Site Requirements	23
Chassis Enclosure Grounding	23
4. External I/O Connections	27
Connector Layout	27
Parallel Interface	29
Serial Connectors	30
Twisted-Pair Ethernet (TPE) Connector	31
TPE Cable-Type Connectivity	31
SCSI Connector	32
SCSI Implementation	33
SCSI Cabling and Configuration	34
SCSI Cabling Procedure	34
SCSI-2 (Fast Wide SCSI) External Devices	35
Alarms Ports	36
5. Installing the Alarms Software	39
Local Installation	39
SunVTS Software	41
6. Replacing the Air Filter	43
Part II. User Guide	
7. LEDs and Controls	47
LEDs	47
Netra t 1400	48
Netra t 1405	49
System ON/STBY Switch	50

8. System Start-up and Operation	55
9. Open Boot PROM	57
NVRAM Configuration Parameters	57
Emergency Procedures	59
Running Diagnostics	59
New Devices in the OBP Device Tree	60
10. Using LOMlite	61
LOMlite Functionality	61
Diagnosing PSU Faults	62
Diagnosing Fan Faults	62
Power	63
Serial Connection	63
Controlling LOMlite	64
Configuring LOMlite	65
Fault LED	65
System Watchdog	66
System Monitoring	66
11. System Shut-down	67
Index	69

Figures

FIGURE 1-1	Netra t 1400 System Unit Front View	3
FIGURE 1-2	Netra t 1400 System Unit Rear View	3
FIGURE 1-3	Netra t 1405 System Unit Front View	4
FIGURE 1-4	Netra t 1405 System Unit Rear View	4
FIGURE 2-1	Netra t 1400/1405 Airflow	6
FIGURE 2-2	Sacrificial Shipping Plates	7
FIGURE 2-3	Netra t 1400/1405 Flange Options and Dimensions	8
FIGURE 2-4	Flange Mount Assembly	10
FIGURE 3-1	DC input connector	14
FIGURE 3-2	Strain Relief Housings	14
FIGURE 3-3	Cage Clamp Operating Lever	15
FIGURE 3-4	Power Connector on the DC Power Supply	15
FIGURE 3-5	Stripping the Insulation From the Wire	16
FIGURE 3-6	Opening the DC Connector Cage Clamp Using the Cage Clamp Operating Lever	17
FIGURE 3-7	Assembling the DC Input Power Cable	18
FIGURE 3-8	Inserting the Bottom Portion of the Strain Relief Housing	19
FIGURE 3-9	Routing the Wires Out of the Bottom Portion of the Strain Relief Housing	19
FIGURE 3-10	Securing the Wires to the Strain Relief Housing	20
FIGURE 3-11	Assembling the Strain Relief Housing	21

FIGURE 3-12	Connecting the DC Power Cable to the Netra DC Power Supply	22
FIGURE 3-13	System Power-On (Front Panel)	24
FIGURE 3-14	System Power-off (Front Panel)	26
FIGURE 4-1	Back Panel Connectors	28
FIGURE 4-2	DB-25 Parallel Connector	29
FIGURE 4-3	DB-25 Serial Connectors	30
FIGURE 4-4	RJ45 TPE Socket	31
FIGURE 4-5	68-Pin SCSI Connector	32
FIGURE 4-6	Connecting External Mass Storage Devices	35
FIGURE 4-7	DB-15 (Male) Alarms Service Port Connector	36
FIGURE 4-8	RJ45 Lights Out Management Serial Connector	37
FIGURE 6-1	Replacing the Air Filter	43
FIGURE 7-1	Netra t 1400 System LEDs	48
FIGURE 7-2	Netra t 1405 System LEDs	49
FIGURE 7-3	System Power-On (Front Panel)	50
FIGURE 7-4	System Power-Off (Front Panel)	52

Tables

TABLE 2-1	Optional Mounting Flange Kits	9
TABLE 3-1	DC Power Requirements	12
TABLE 4-1	Parallel Connector Pinout	29
TABLE 4-2	Serial Connector Pinout, RS423/RS232	30
TABLE 4-3	TPE Connector Pinout	31
TABLE 4-4	TPE STP-5 Cable Lengths	32
TABLE 4-5	68-Pin SCSI Connector Pinout	32
TABLE 4-6	Determining SCSI Bus Length	34
TABLE 4-7	Alarms Service Port Connector Pinout	36
TABLE 4-8	Lights Out Management Serial Connector Pinout	37
TABLE 7-1	Netra t 1400 System LED Functions	48
TABLE 7-2	Netra t 1405 System LED Functions	49
TABLE 9-1	NVRAM Configuration Parameters	57
TABLE 10-1	LOMlite Commands	64
TABLE 10-2	LOMlite Configuration File Parameters	65
TABLE 11-1	Commands for Shutting Down the System	67

Preface

This manual comprises two parts:

- Part I, *Installation*, describes the installation and basic maintenance procedures for the Netra t 1400 and Netra t 1405 systems and is intended to be read by installation engineers, software support engineers and service personnel.
 - Part II, *User Guide*, provides information about the system administration and software operation of the Netra t 1400/1405 and is intended for system users and administrators.
-

How This Book Is Organized

Chapter 1 describes the key features of the Netra t 1400/1405 computer system.

Chapter 2 covers the environmental and site requirements.

Chapter 3 describes the electrical supply requirements.

Chapter 4 provides information about external I/O connectors.

Chapter 5 describes the steps required to install a software release.

Chapter 6 describes how to replace the air filters.

Chapter 7 provides a description of the power on and power off procedures, the system LEDs and connectors.

Chapter 8 describes the procedure for booting the Netra t 1400/1405.

Chapter 9 explains the changes that have been made to the Open Boot Prom (OBP) for the Netra t 1400/1405.

Chapter 10 describes the LOMlite facility.

Chapter 11 describes the procedure for shutting down the Netra t 1400/1405 system cleanly and safely.

Typographic Conventions

TABLE P-1 Typographic Conventions

Typeface	Meaning	Examples
AaBbCc123	The names of commands, files, and directories; on-screen computer output	Edit your <code>.login</code> file. Use <code>ls -a</code> to list all files. % You have mail.
AaBbCc123	What you type, when contrasted with on-screen computer output	% su Password:
<i>AaBbCc123</i>	Book titles, new words or terms, words to be emphasized	Read Chapter 6 in the <i>User's Guide</i> . These are called <i>class</i> options. You <i>must</i> be superuser to do this.
	Command-line variable; replace with a real name or value	To delete a file, type <code>rm filename</code> .

Shell Prompts

TABLE P-2 Shell Prompts

Shell	Prompt
C shell	<i>machine_name%</i>
C shell superuser	<i>machine_name#</i>
Bourne shell and Korn shell	\$
Bourne shell and Korn shell superuser	#

Related Documentation

TABLE P-3 Related Documentation

Application	Title	Part Number
Compliance Safety	<i>Netra t 1400/1405 Compliance and Safety Manual</i>	806-0574-10
Service System Reference	<i>Netra t 1400/1405 Service and System Reference Manual</i>	806-0576-10

Note – It is essential that you read the Netra t 1400/1405 Compliance and Safety manual before proceeding.

Sun Welcomes Your Comments

We are interested in improving our documentation and welcome your comments and suggestions. You can email your comments to us at:

`docfeedback@sun.com`

Please include the part number of your document in the subject line of your email.

PART I **Installation**

Product Overview

The Netra t 1400/1405 computer system is a one- to four-processor device that uses the family of UltraSPARC™ II processors. Housed within a rack-mounting enclosure, the Netra t 1400/1405 provides the following:

- High performance processors
- Extensive I/O expansion and a wide range of options
- Modular internal design
- High performance disk, system, memory and I/O subsystems
- High performance peripheral component interconnect (PCI) I/O
- Redundant hot swap power supply units
- Rack mounting options available
- Alarms functionality for remote management

The Netra t 1400 is powered by -48V / -60V DC supplies. The Netra t 1405 is powered by standard AC supplies. This is the only difference between the systems.

FIGURE 1-1 and FIGURE 1-2 on page 3 illustrate the front and rear, respectively, of the Netra t 1400; FIGURE 1-3 and FIGURE 1-4 on page 4 illustrate the front and rear, respectively, of the Netra t 1405. The following sections provide a brief description of the Netra t 1400/1405 I/O devices and a detailed overview of the system unit features.

System Unit Features

System unit components are housed in a rack-mounting enclosure. Overall enclosure dimensions (width x depth x height) are 431.8mm x 477.3mm x 264mm (17.00in. x 18.79in. x 10.39in. (6U)). System unit electronics are contained on a single printed circuit board (motherboard). The motherboard contains the CPU module(s), memory, system control application-specific integrated circuits (ASICs) and I/O ASICs.

The system unit has the following features:

- Rack mounting enclosure with n + 1 redundant hot swap -48VDC / -60VDC (Netra t 1400) or AC (Netra t 1405) power supplies
- support for up to four modular 440MHz UltraSPARC II processors with 4Mbyte cache
- UltraSPARC Port Architecture (UPA) coherent memory interconnect
- use of DIMMs, with an interleaved memory system. Each pair of DIMM slots (four rows of two pairs each) accepts 64 or 256Mbyte DIMM modules. Populating with two pairs of identical capacity DIMMs enables the memory controller to interleave and overlap, providing optimal system performance. There are a total of 16 DIMM slots supplying a minimum of 256Mbyte (4 x 64Mbyte) and a maximum of 4Gbyte (16 x 256Mbyte) of memory.
- Four PCI slots:
 - two 33MHz, 64- or 32-bit, 5VDC slots
 - one 33MHz 32-bit only 5VDC slot
 - one 66MHz or 33MHz, 64- or 32-bit, 3.3VDC slot

Universal PCI cards can be used in any of the four PCI slots.

- 10/100 Megabit per second (Mbps) Ethernet
- 40Mb/s Fast-20 (UltraSCSI) disk subsystem supporting up to four 18MB disk drives
- Two RS232/423 DB-25 serial ports (asynchronous protocols)
- Parallel port
- External Fast-20 (UltraSCSI) 68-pin port
- Up to two SCSI removable media drives (CD-ROM or DAT or both)
- Alarms card implementing Lights Out Management

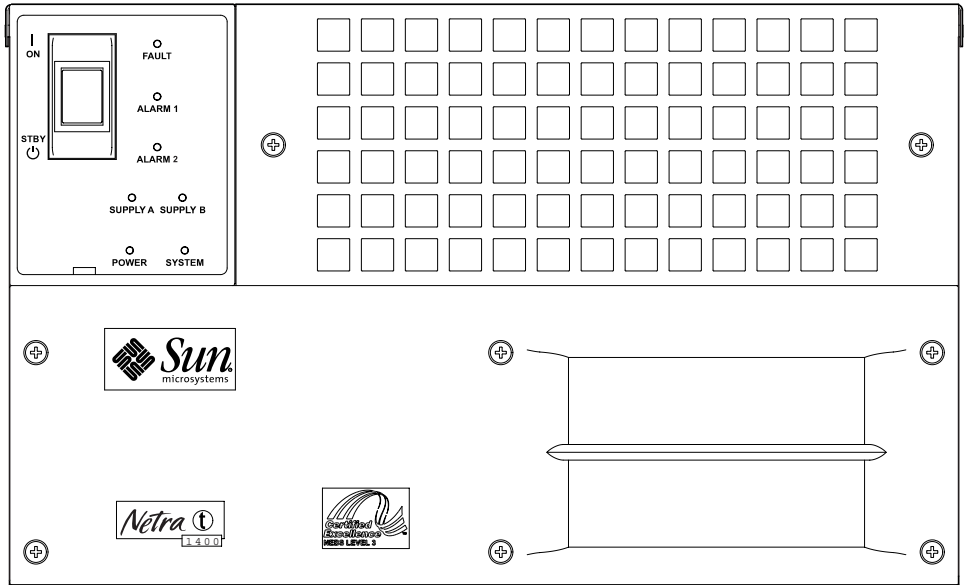


FIGURE 1-1 Netra t 1400 System Unit Front View

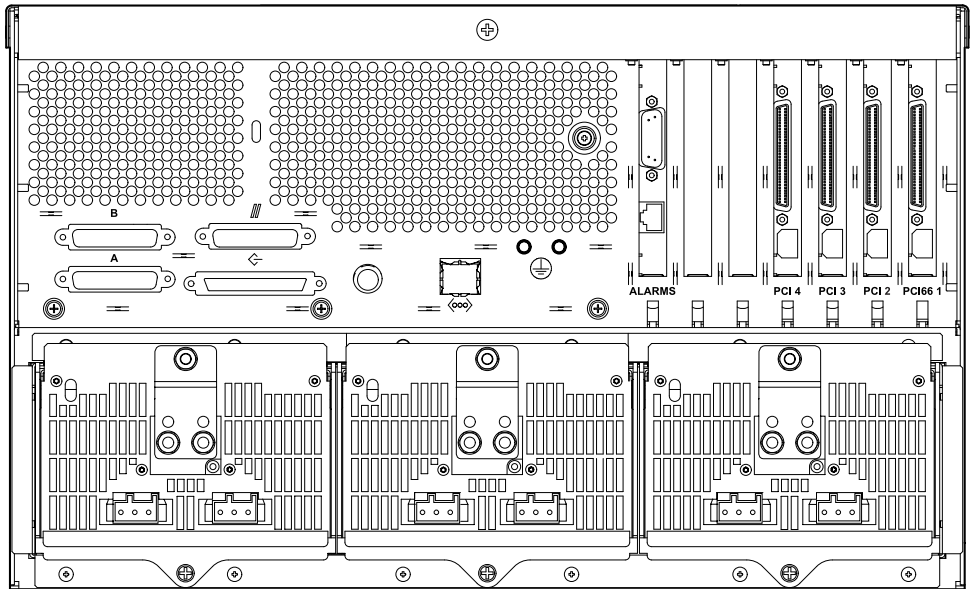


FIGURE 1-2 Netra t 1400 System Unit Rear View

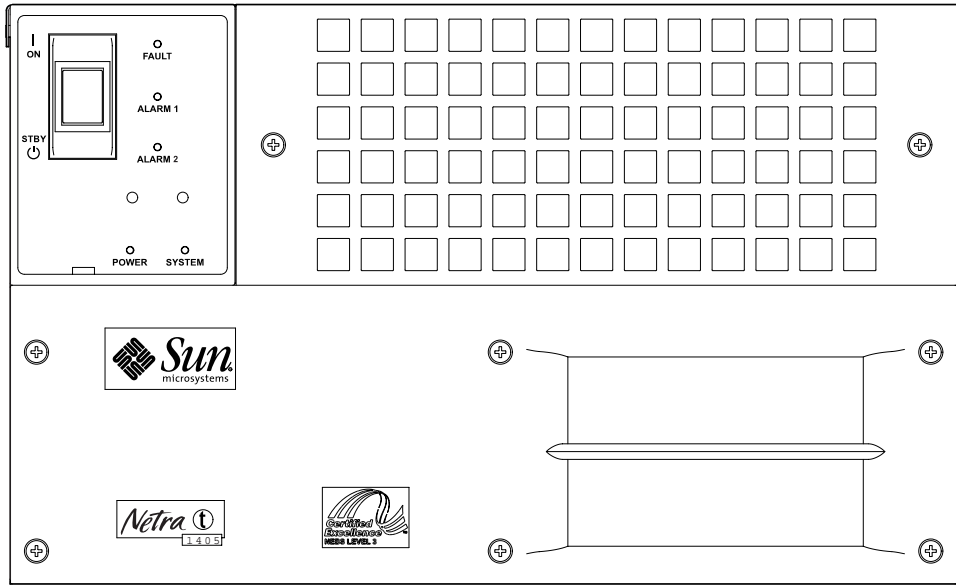


FIGURE 1-3 Netra t 1405 System Unit Front View

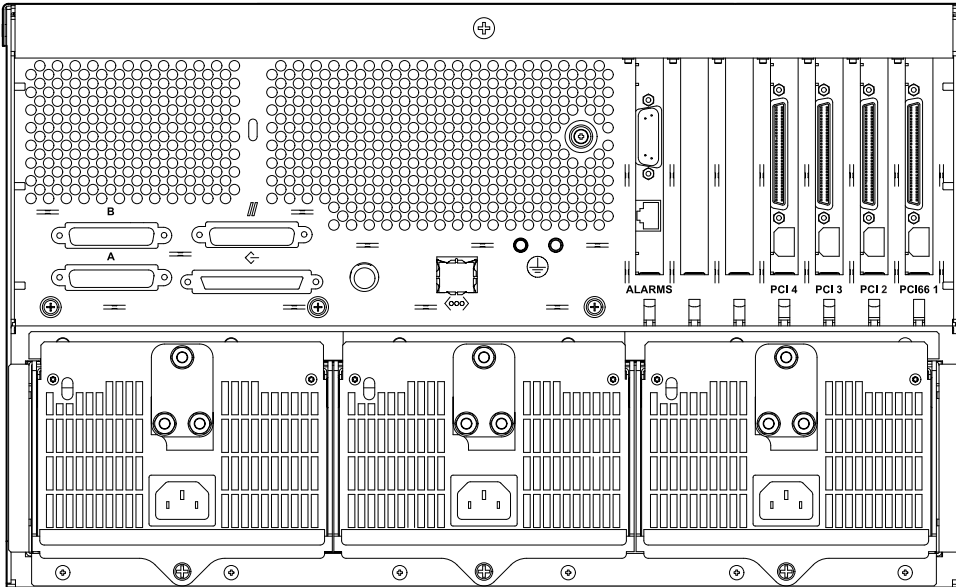


FIGURE 1-4 Netra t 1405 System Unit Rear View

Installing the System

Before you install the system, confirm that the correct power supply is available. Refer to Chapter 3, "Installing the Electrical Supply", for further information.

Environmental Considerations

The system can be installed in an environment with the following specific parameter ranges:

- Ambient temperature
 - operating: 5° to 40°C
 - exceptional operating limit: -5° to 55°C^{1, 2}
 - storage: -40° to 70°C
- Relative humidity
 - operating: 5 to 85% non-condensing³
 - storage: 10 to 95% non-condensing
- Elevation
 - operating: -300 to +3000 meters
 - storage: -300 to +12000 meters

Dimensions

- Height: 264 mm (10.39 in.) 6U nominal
- Width: 431.8 mm (17.00 in.)
- Depth: 477.3 mm (18.79 in.)
- Weight (unpackaged): maximum 32 kg (71 lb)

1. Error-free operation of the removable media devices is from 0° to 40°C.

2. No more than 96 hours duration at extremes and at elevations less than 1800m.

3. Subject to a maximum absolute humidity of 0.024kg of water per kg of dry air.

Flanges can be fitted to accommodate the equipment in 19-inch, 23-inch 24-inch and 600-mm racks (see FIGURE 2-3 on page 8).

Forced Air Cooling Requirements

1. Adequate airflow through the host equipment frame must be ensured.
2. The air is drawn through the front of the Netra t 1400/1405 enclosure and expelled from the rear of the enclosure.
3. The inlet and exhaust ventilation areas must be a minimum of 200 sq cm each.

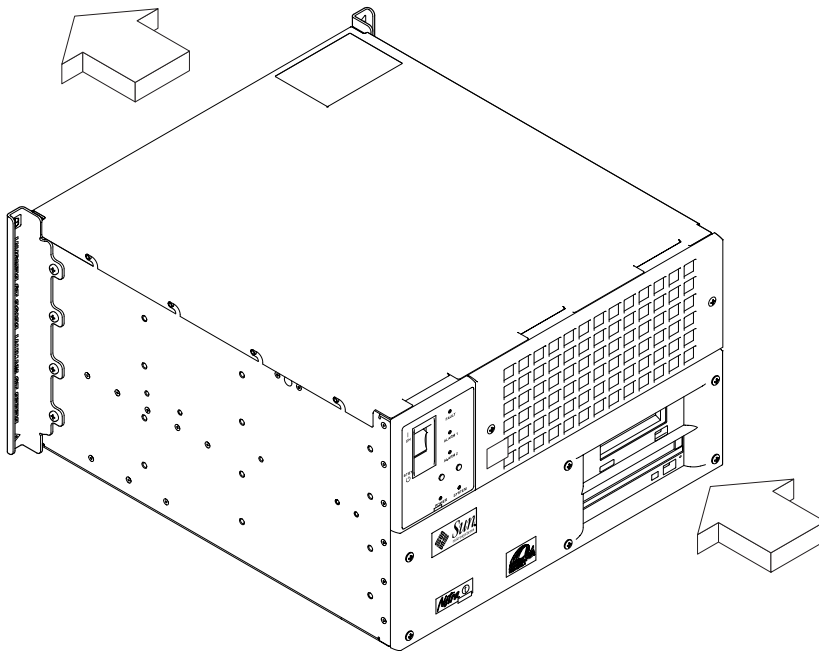


FIGURE 2-1 Netra t 1400/1405 Airflow

4. To maintain adequate airflow we strongly recommend that you inspect and, if necessary, replace the air filter on a regular basis. See Chapter 6, "Replacing the Air Filter", for further information.
5. If the Netra t 1400/1405 computer system is fully enclosed by its host equipment rack, the host rack must have ventilation openings in the front door. This permits unrestricted access to an external air source.

Mechanical Considerations



Caution – The Netra t 1400/1405 system, when fully loaded, can weigh up to 38 kg (84lb); hence mechanical assistance may be required if installing a fully-loaded unit.

Removing the Sacrificial Shipping Plates

Where possible, the four sacrificial shipping plates should only be removed *after* mounting the system in a rack. Remove the four M5 screws securing each plate to the system.

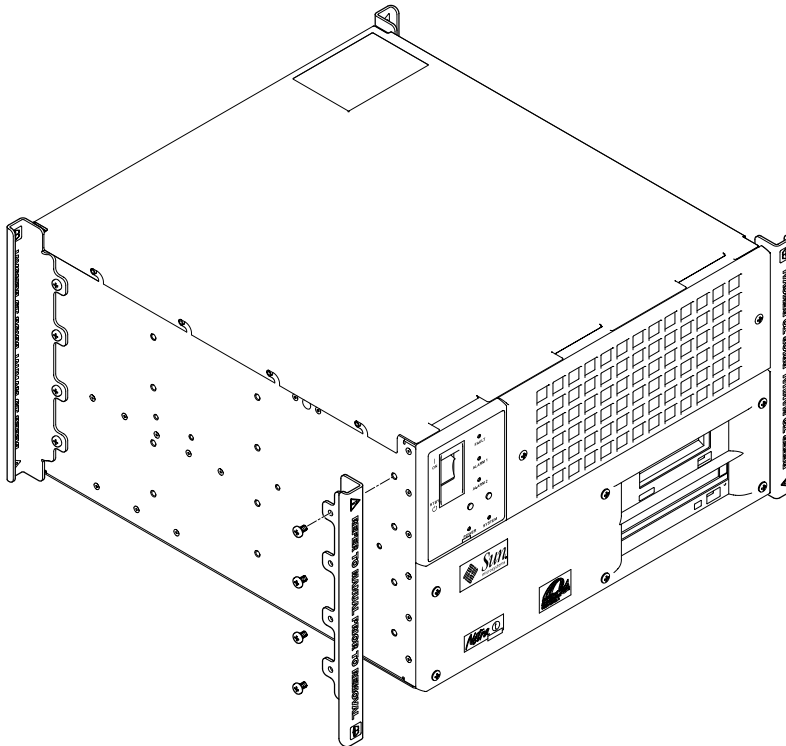


FIGURE 2-2 Sacrificial Shipping Plates

Note – Please retain the plates and system packaging for future use.

Mounting Flanges

The Netra t 1400/1405 chassis has been designed for a wide variety of mounting options and rack sizes. One set of 19-inch flanges (four) and handles (two) is included with each system. Mounting flanges to suit 23-inch, 24-inch or 600-mm nominal frame widths can be ordered as required:

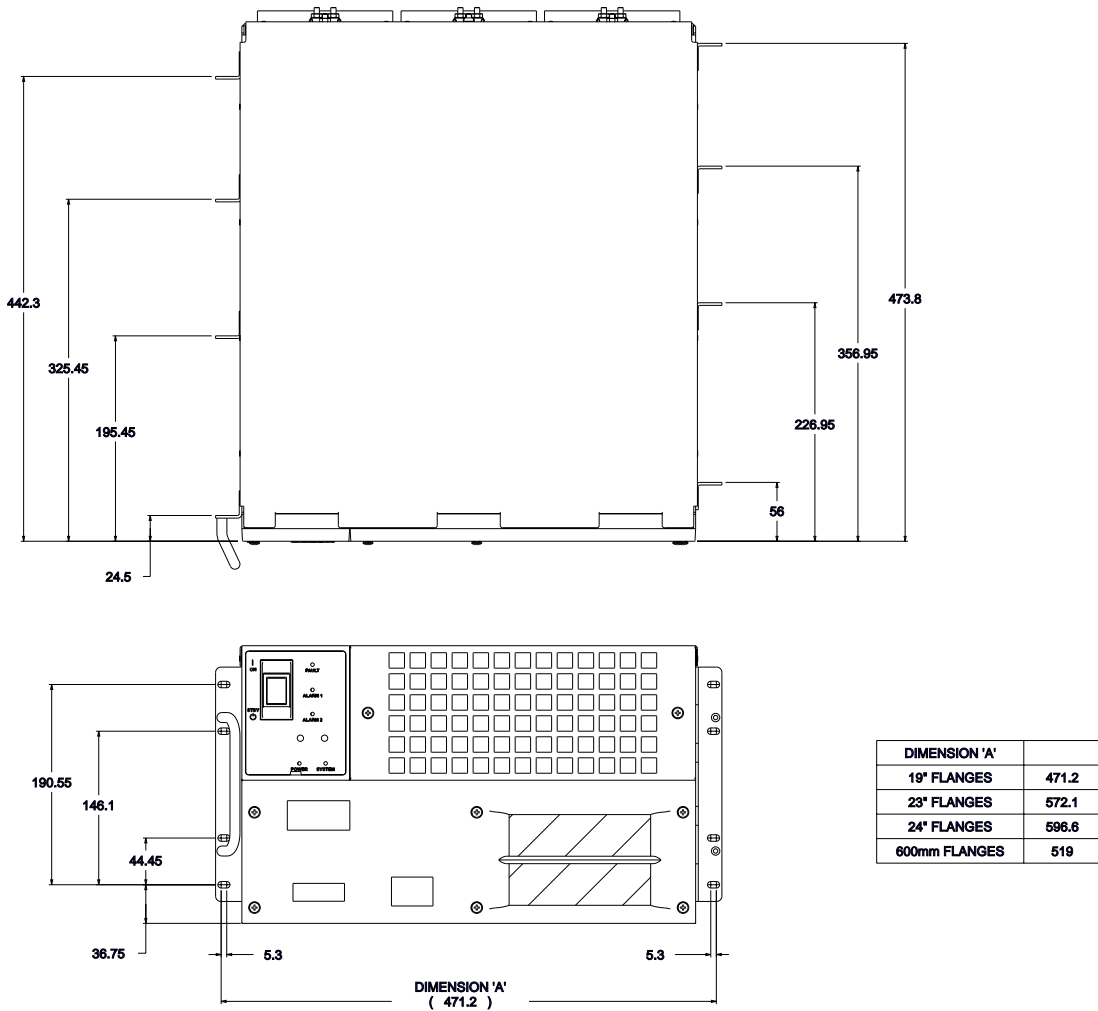


FIGURE 2-3 Netra t 1400/1405 Flange Options and Dimensions

Optional Components

TABLE 2-1 Optional Mounting Flange Kits

Mounting Option	Part Number
19-inch configuration	X7071A
23-inch configuration	X7072A
24-inch configuration	X7073A
600-mm configuration	X7074A

Select the mounting position most suitable for the rack type (see FIGURE 2-3). There are four fixing locations provided on a Netra t 1400/1405; one at the front, two in the centre and one at the rear. If the front location is required, first ensure that, if fitted, the sacrificial shipping plates have been removed (see FIGURE 2-2 on page 7). Where possible, the four sacrificial shipping plates should only be removed *after* mounting the system in a rack.

Fit the mounting flanges in the selected position using the four M5 countersunk screws per flange provided with the mounting kit and a Phillips No. 1 screwdriver. If required, you can fit the supplied handles to the mounting flanges before fitting flanges to the system or, alternatively, fit them to the mounted flanges.

FIGURE 2-4 on page 10 shows how to connect the Flange Mount assembly to the Netra t 1400/1405 system.

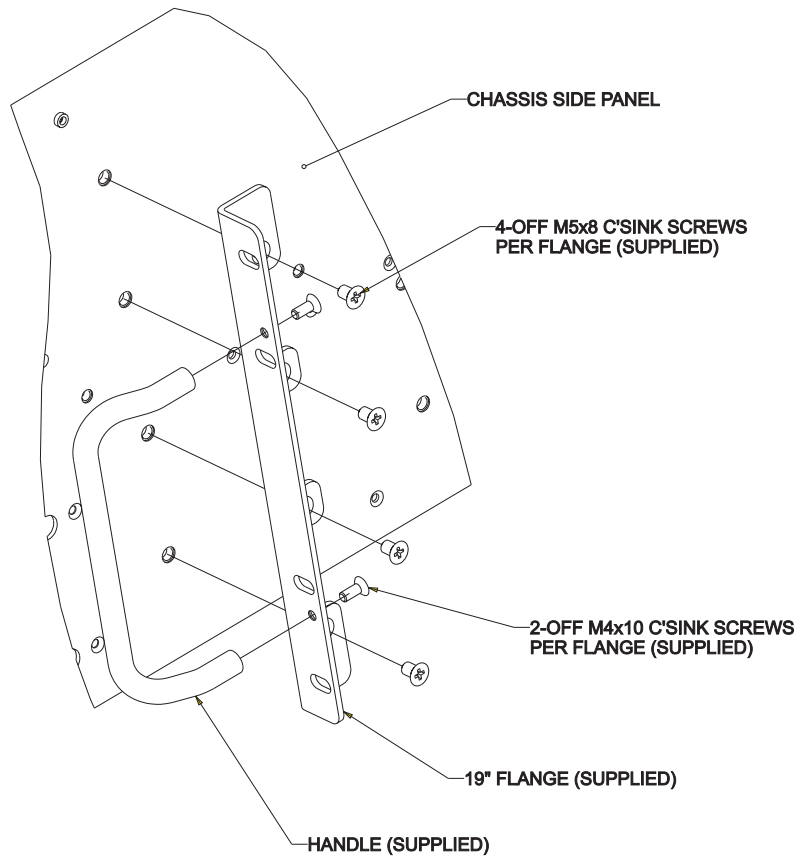


FIGURE 2-4 Flange Mount Assembly

The chassis must be secured within the rack frame using screws suitable for the equipment frame. They must be a minimum size of M5 (10/32) depending on the frame requirement. All screws must be fitted; there are positions provided for a total of 16 screws (four per flange). The recommended tightening torque value for M5 recess head screws is 4.0Nm (3.0lbf-ft).



Caution – For flange mounted installations, always fit four flanges.

Installing the Electrical Supply

This chapter provides information about electrical supply installation.

Note – All supply connections, wiring, wire protection, and wire routing must be made in accordance with applicable sections and requirements of national electrical code and local electrical authorities.

System Switch



Caution – The system switch does not isolate the equipment.

The system switch of the Netra t 1400/1405 system functions as a standby device enabling and disabling the power module outputs. The system switch is a rocker, momentary switch.

The system does not contain any integral circuit breakers. The system can be isolated from the power only by using external circuit breakers.

1400

All connections must be broken to isolate the system. To isolate the system, open all external circuit breakers.

Note – The ON/STBY switch handles low voltage signals only; the high-power circuits do not pass through this switch.

Connectors

1400

The Netra t 1400 has a pair of 3-position Wago connectors per power supply. The mating connectors are specified in the section “DC Source Site Requirements” on page 12.

1405

The Netra t 1405 has an IEC 320 appliance coupler for connection to mains power. The mating connectors are specified in the section “AC Source Site Requirements” on page 23.

1400

DC Source Site Requirements

TABLE 3-1 DC Power Requirements¹

Electrical Element	Requirement
Voltage	-48VDC / -60VDC
Max. operating current	10A @ -48VDC / 12 @ -60VDC
Max. inrush current	24A @ -48VDC / 30A @ -60VDC

1. The DC power supply range is -40 VDC to -75 VDC.

The DC source must be:

- -48VDC or -60VDC nominal centralized DC power system
- Electrically isolated from any AC power source
- Reliably connected to earth (that is, the battery room positive bus is connected to the grounding electrode)
- Rated for a minimum of 15A per feed pair

Note – The Netra t 1400 must be installed in a *restricted access location*. Per the intent of the National Electrical Code, a restricted access location is an area intended for qualified or trained personnel only and has access controlled by a locking mechanism, such as a key lock or an access card system.

Overcurrent Protection Requirements

- Overcurrent protection devices must be provided as part of each host equipment rack.
- Two 15A single-pole, fast trip, DC-rated circuit breakers (one per ungrounded supply conductor) must be located in the negative supply conductor between the DC power source and the Netra t 1400 system.
- Circuit breakers must not trip when presented with inrush current of 20A lasting 250ms.

Note – Overcurrent devices must meet applicable national and local electrical safety codes and be approved for the intended application.

Connection Materials

Grounding

- One Thomas & Betts two-hole lug (part number: 54204-UB) suitable for 8AWG conductor or UL/CSA approved equivalent having 5/8-inch pitch. Torque value: 3.5Nm maximum. Two M5 studs and cupwasher nuts are supplied on the rear of the chassis for connection.
- A Thomas & Betts crimping tool (part number: TBM 5-S), or approved equivalent is required to secure the lug on to the cable.
- An earthing bus bar that is near the equipment and easily accessible.



Caution – External filtering and/or surge suppression devices may be required on the power feeds where branch circuit electromagnetic characteristics are unknown.

DC Supply and Ground Conductor

The requirements are:

- Suitable conductor material: tinned copper only
- Conductors: 12 AWG maximum (between the Netra t 1400 and circuit breaker).
There are three conductors:
 - -48VDC/-60VDC Supply (pin 1)
 - Ground connection to power supply (pin 2)
 - -48VDC/-60VDC Return (pin 3)

- System ground conductor: 8 AWG
- Cable insulation rating: minimum 75°C, low smoke fume (LSF), flame retardant
- Cable must conform to GR63CORE fire resistance requirements
- Branch circuit cable insulation color: per applicable National Electrical Codes
- Grounding cable insulation color: green/yellow

Power and Grounding Connections

The following DC connection materials are provided in the DC input connector kit:

- Six Wago DC input connectors
- Six Wago strain relief housings
- One cage clamp operating lever
- Six wire ties

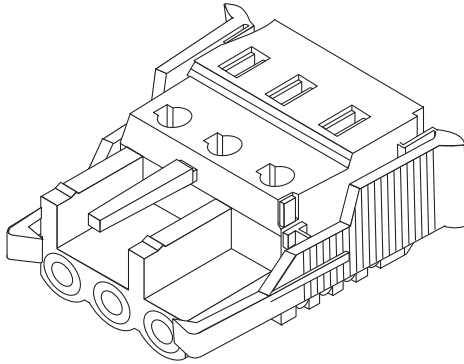


FIGURE 3-1 DC input connector

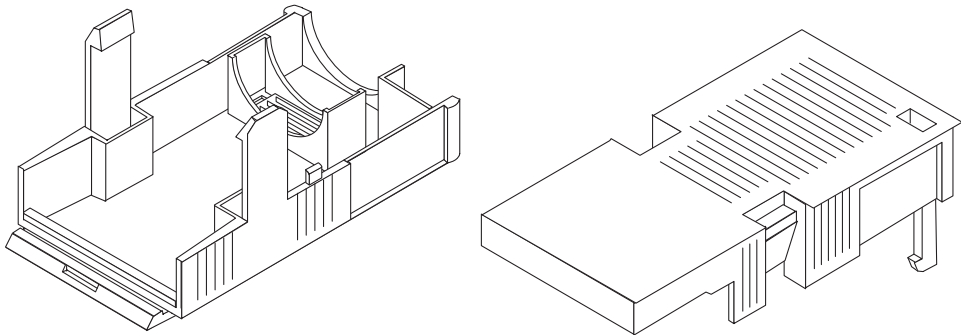


FIGURE 3-2 Strain Relief Housings

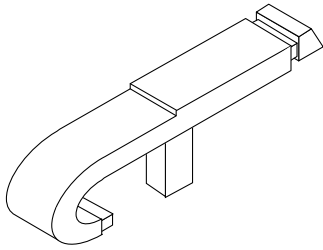


FIGURE 3-3 Cage Clamp Operating Lever

The following figure shows the power connector on the DC power supply on your system.

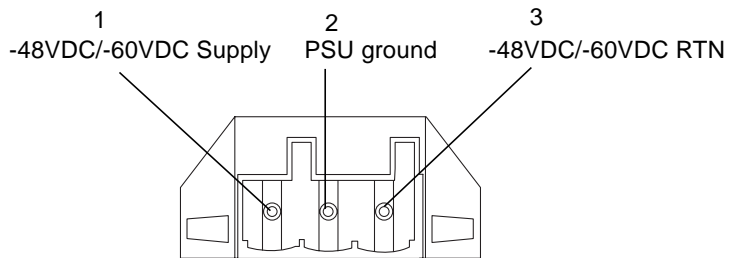


FIGURE 3-4 Power Connector on the DC Power Supply

▼ To Wire the DC Input Power Connector

1. Turn off power to the DC power source by opening the circuit breakers.



Caution – Do *not* proceed with these instructions until you have turned off the power to the DC power source through the circuit breakers.

2. Strip 8mm (0.31 inches) of insulation from each of the wires to be fitted to the connector.

Do not strip more than 8mm (0.31 in.) from each wire. Doing so will leave uninsulated wire exposed from the DC input connector after the assembly is complete.

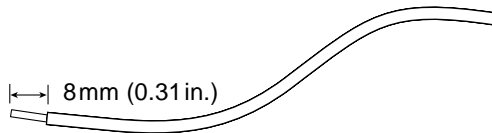


FIGURE 3-5 Stripping the Insulation From the Wire

3. Using a DC connector from the kit, insert the tip of a cage clamp operating lever into the rectangular hole directly above the hole in the DC connector where you want to insert the first wire and press down on the cage clamp operating lever.

This opens the cage clamp for this section of the DC input connector.

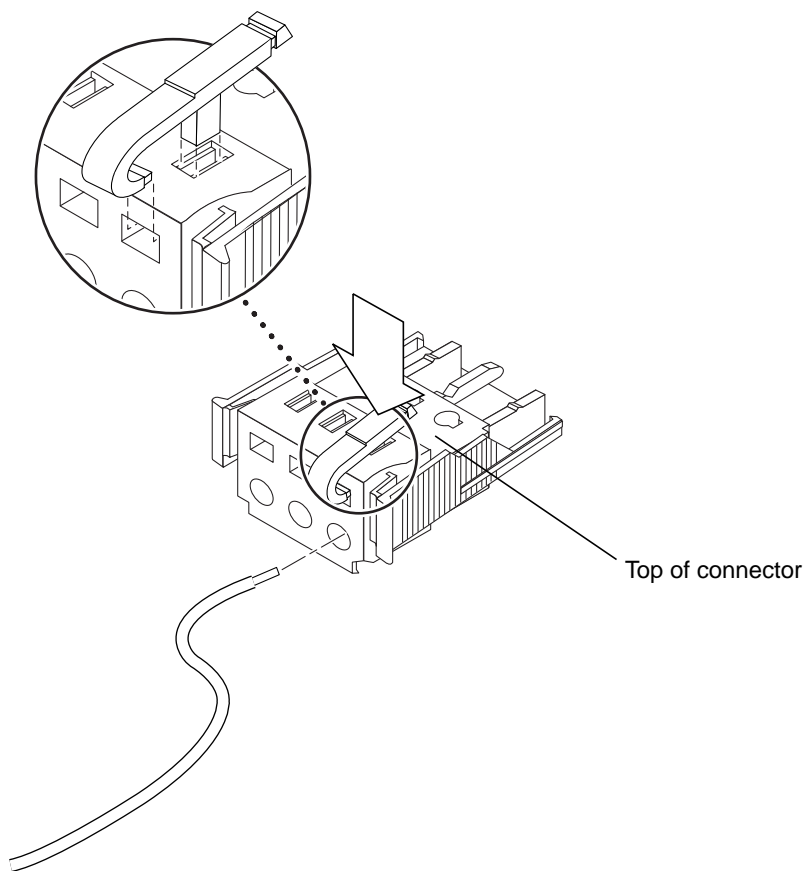


FIGURE 3-6 Opening the DC Connector Cage Clamp Using the Cage Clamp Operating Lever

You can also open the DC connector cage clamp by inserting a small slotted screwdriver into the rectangular hole directly above the hole in the DC connector where you want to insert the first wire and pressing down on the screwdriver.

4. Feed the stripped end of each wire into the appropriate hole in the DC input connector.

FIGURE 3-7 shows which wires should be inserted into each hole in the DC input connector.

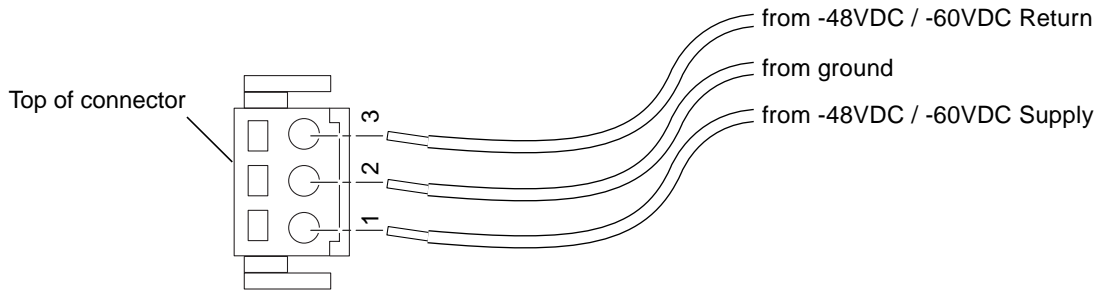


FIGURE 3-7 Assembling the DC Input Power Cable

5. Repeat Step 3 and Step 4 for the other two wires to complete the assembly of the DC input power cable.
6. If you are not using the optional strain relief housing, secure the wires together with a wire tie.
7. Repeat Step 2 through Step 6 to wire the other five DC input power connectors.

Note that you will require a separate DC power source for each DC input.

If you need to remove a wire from the DC input connector, insert the cage clamp operating lever or a small screwdriver into the slot directly above the wire to free the wire from the cage clamp, and press down (FIGURE 3-6).

▼ To Install the Optional Strain Relief Housings

1. Take the DC input connector and insert the bottom portion of the strain relief housing into the notch on the DC input connector until it snaps into place.

Make sure the strain relief housing snaps into place on the DC input connector; you will not be able to complete the assembly correctly if the strain relief housing is not snapped into place.

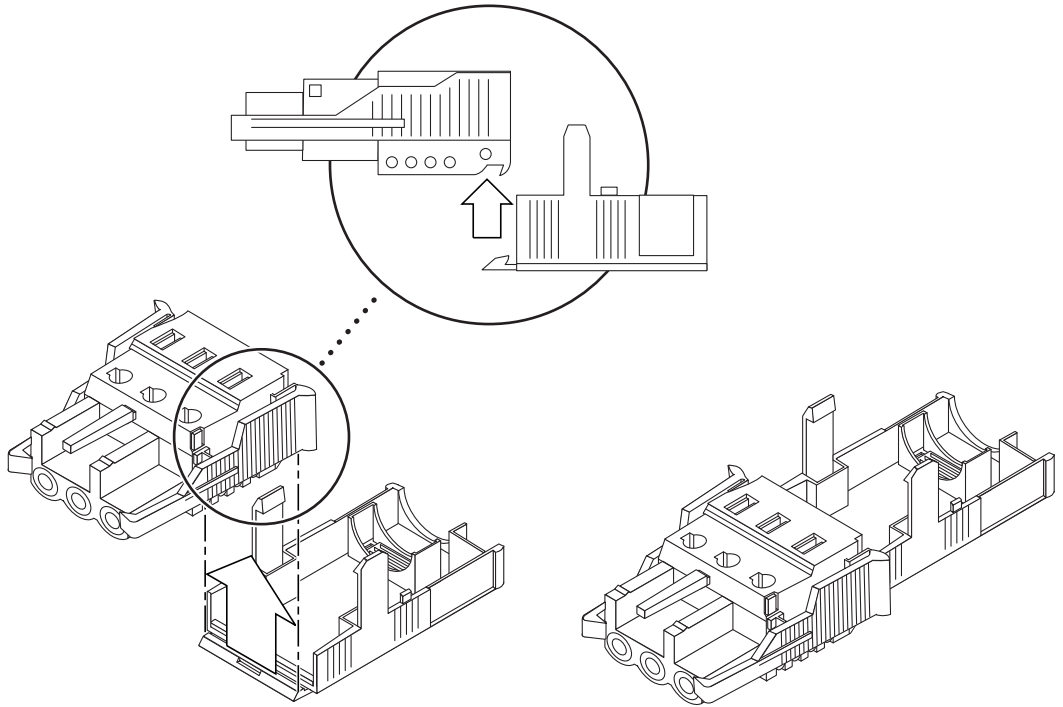


FIGURE 3-8 Inserting the Bottom Portion of the Strain Relief Housing

- 2. Route the three wires coming from the DC power source through the opening at the end of the bottom portion of the strain relief housing.**

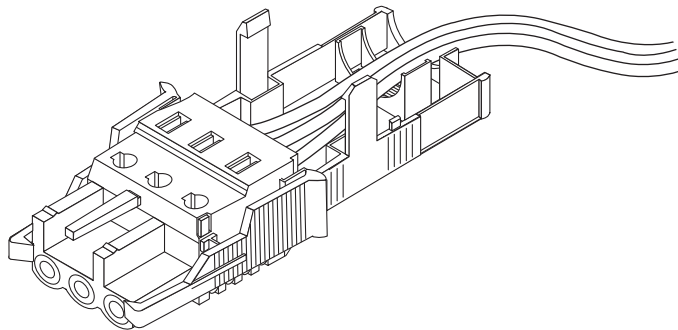


FIGURE 3-9 Routing the Wires Out of the Bottom Portion of the Strain Relief Housing

- 3. Insert the wire tie into the bottom portion of the strain relief housing.**

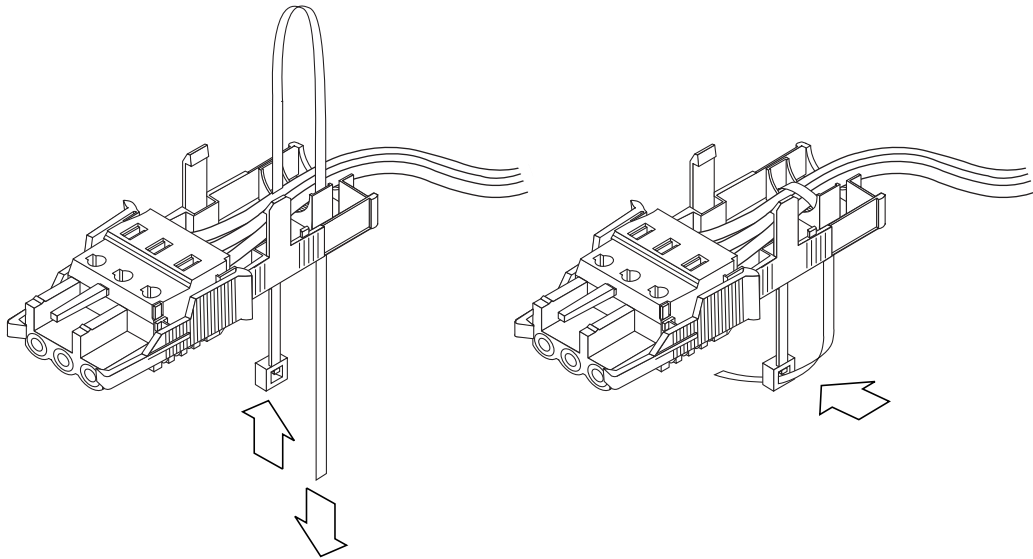


FIGURE 3-10 Securing the Wires to the Strain Relief Housing

- 4. Loop the wire tie over the wires and back out of the strain relief housing, then tighten the wire tie to secure the wires to the strain relief housing (FIGURE 3-10).**
- 5. Lower the three prongs on the top portion of the strain relief housing into the openings in the DC input connector, then push the top portion and bottom portion of the strain relief housing together until they snap into place.**

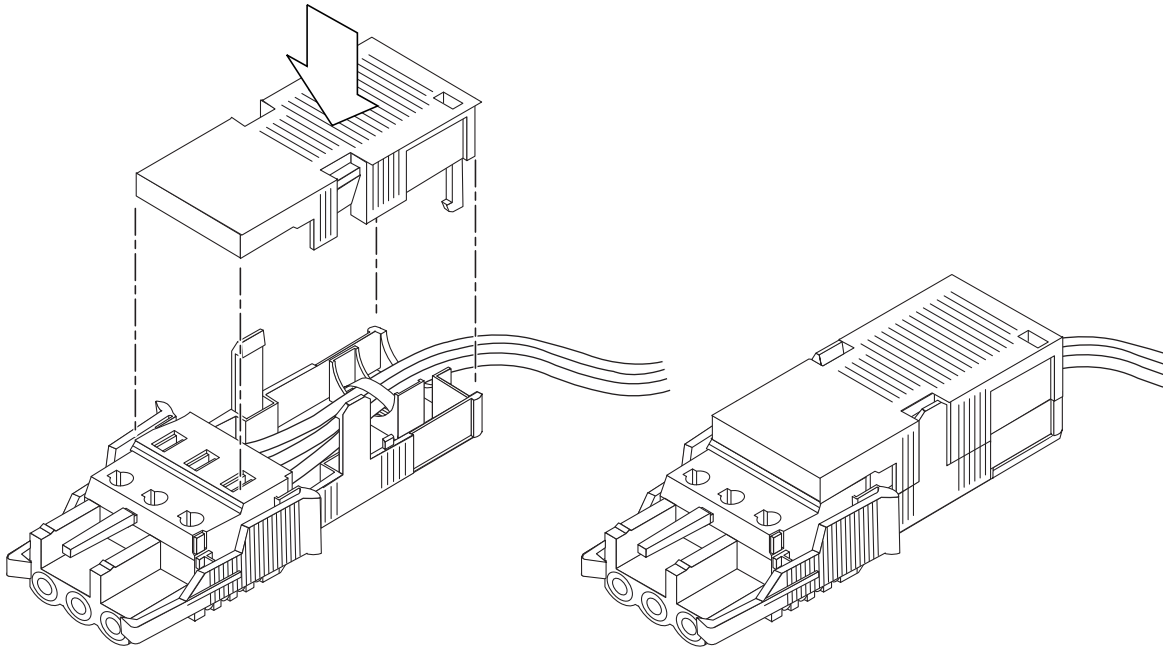


FIGURE 3-11 Assembling the Strain Relief Housing

The DC input power cables for your system are now completely assembled. FIGURE 3-12 shows how the DC input power cable will connect to the DC inlet connector.

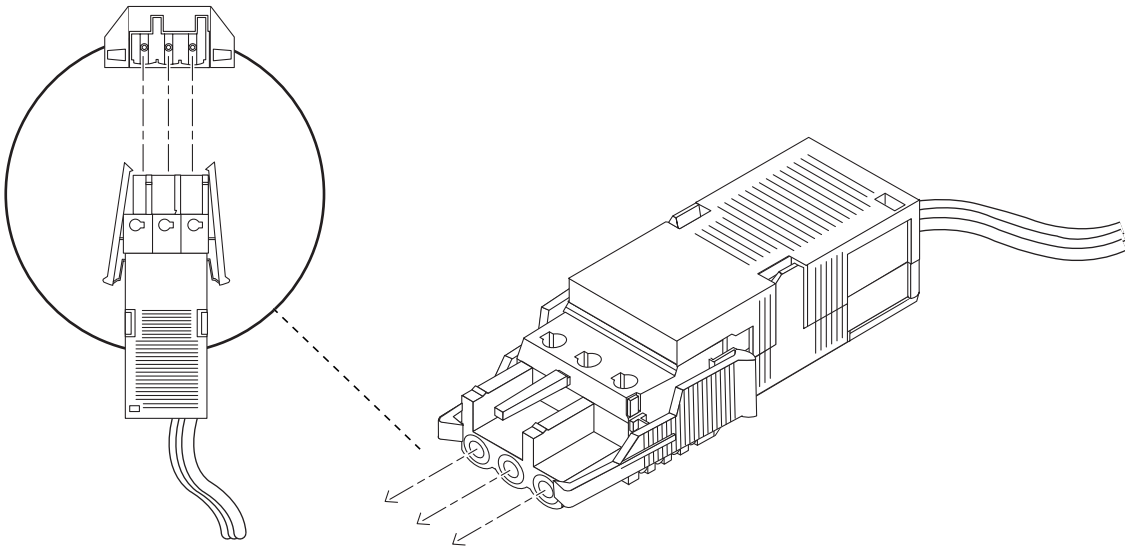


FIGURE 3-12 Connecting the DC Power Cable to the Netra DC Power Supply

AC Source Site Requirements

Note – As part of the installation, overcurrent devices meeting applicable national and local electrical safety codes shall be provided.

The disconnect device for servicing is defined as any one of the following:

- The appliance inlet on the rear of the system
- The circuit breakers in the rack in which the system is mounted
- The mains plug

It must be ensured that these remain accessible after installation.



Caution – External filtering and/or surge suppression devices may be required on the power feeds where branch circuit electromagnetic characteristics are unknown.

Chassis Enclosure Grounding

- One Thomas & Betts two-hole lug (part number: 54204-UB) suitable for 8AWG conductor or UL/CSA approved equivalent having 5/8-inch pitch. Torque value: 3.5Nm maximum. Two M5 studs and cupwasher nuts are supplied on the rear of the chassis for connection.
- A Thomas & Betts crimping tool (part number: TBM 5-S), or approved equivalent is required to secure the lug on to the cable.
- An earthing bus bar that is near the equipment and easily accessible.

The safety earth path is established by the connection of the grounding conductor within the AC power cord to a *reliably* earthed socket outlet located near the equipment.

▼ To Power On the System

1400

1. Prior to powering on, inspect the supply conductors for correct polarity and mechanical security.
2. Activate the external circuit breaker(s).
3. Set the front panel ON/STBY system switch to the ON | position and hold it until the system starts to power up.

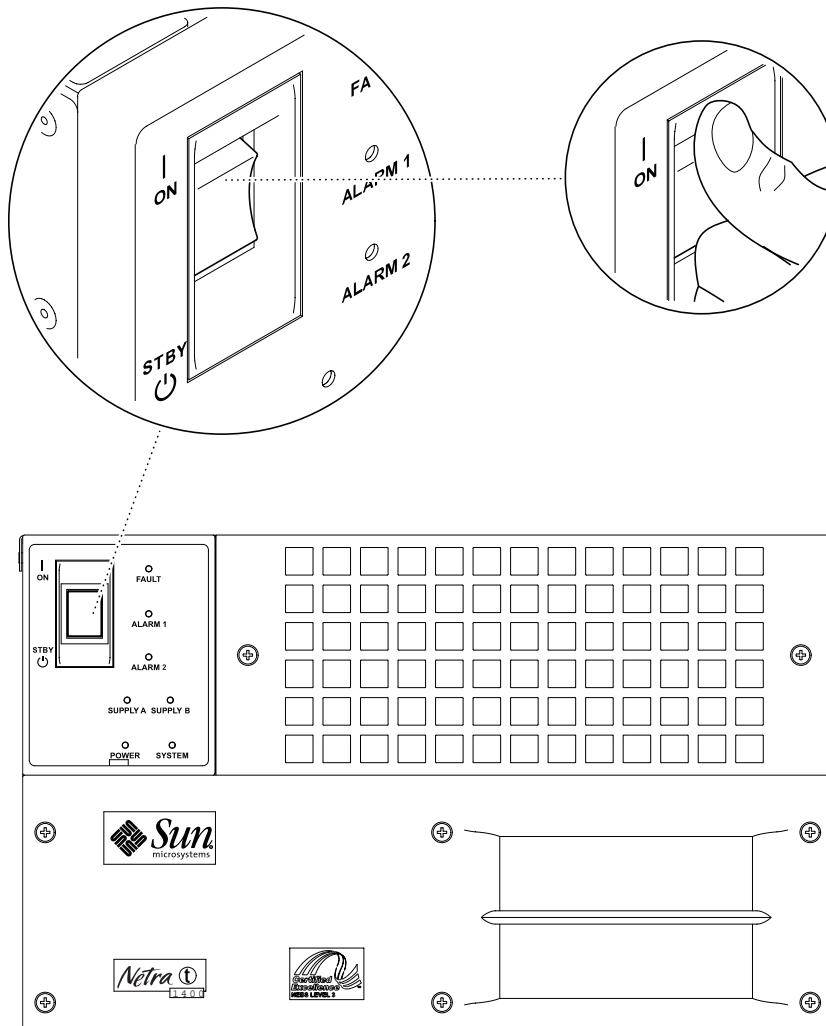




FIGURE 3-13 System Power-On (Front Panel)

▼ To Power Off the System



Caution – Prior to turning off system power, exit from the operating system. Failure to do so may result in data loss.

1. Where necessary, notify the users that the system is going down.
2. Back up system files and data.
3. Halt the operating system.
4. Continue with step a. or b., as appropriate.
 - a. Set the ON/STBY switch at the front of the system cabinet to the STBY  position and release it immediately to initiate a clean shut down followed by a power off.
 - b. Set the ON/STBY switch at the front of the system cabinet to the STBY  position and hold it for five seconds to shut the system down immediately.
5. Verify that the System LED is off.
6. Disconnect the AC or DC power connector(s) from the rear of the system, or open the external circuit breaker(s).
7. Verify that the Power LED is off.



Caution – Regardless of the position of the ON/STBY switch, where an AC power cord remains connected to the system, potentially dangerous voltages are always present within the power supply.

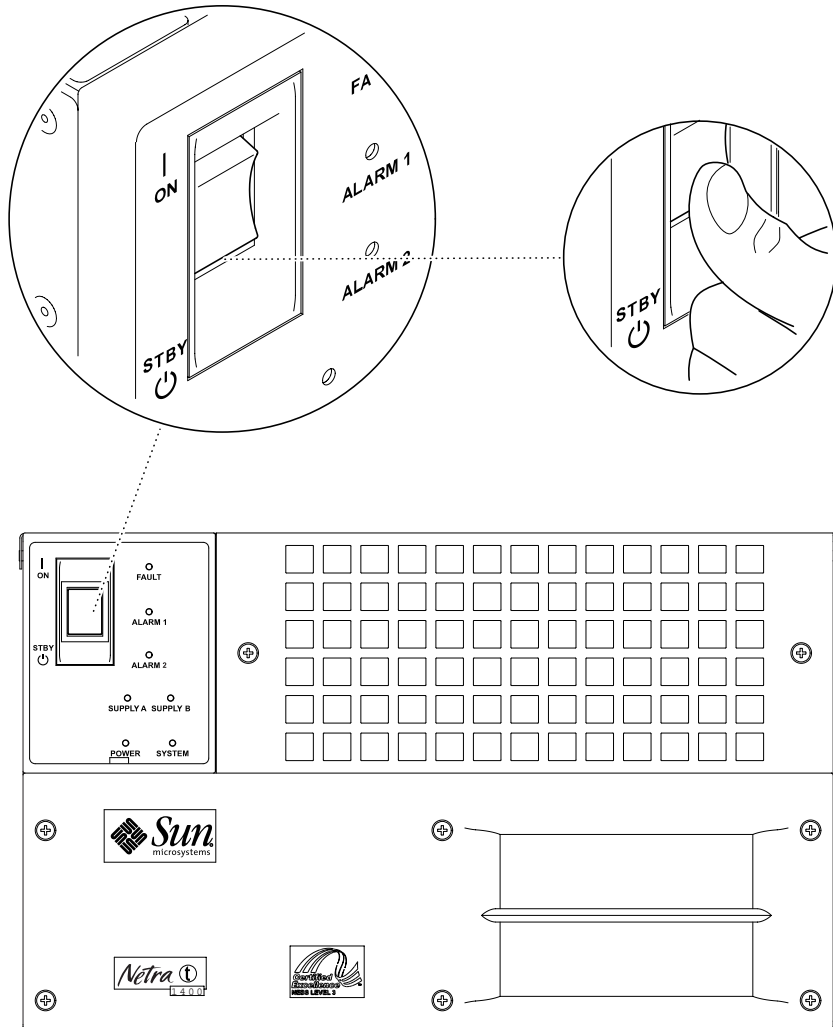


FIGURE 3-14 System Power-off (Front Panel)

External I/O Connections

This chapter provides information about external I/O connections.

Connector Layout

FIGURE 4-1 shows the locations of the Netra t 1400/1405 system back panel connectors.

Note – The figure shows the Netra t 1405. However, the layout of the connectors is identical on the Netra t 1400.

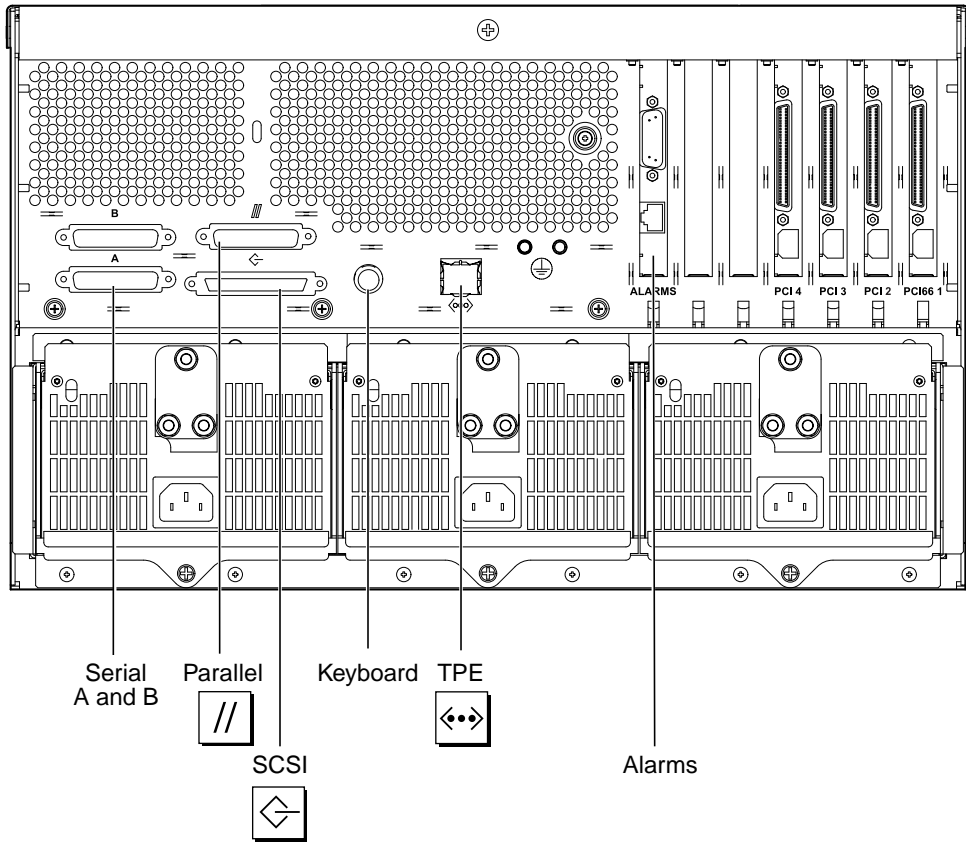


FIGURE 4-1 Back Panel Connectors

Parallel Interface

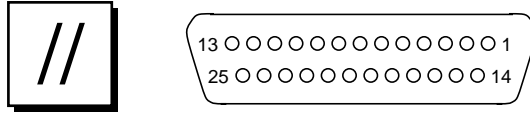


FIGURE 4-2 DB-25 Parallel Connector

TABLE 4-1 Parallel Connector Pinout

Pin	Signal Name	I/O	Service
1	DATA_STROBE_L		Data Strobe (active LOW)
2	DAT(0)		Data Bit 0
3	DAT(1)		Data Bit 1
4	DAT(2)		Data Bit 2
5	DAT(3)		Data Bit 3
6	DAT(4)		Data Bit 4
7	DAT(5)		Data Bit 5
8	DAT(6)		Data Bit 6
9	DAT(7)		Data Bit 7
10	ACK_L		Acknowledge (active LOW)
11	BSY		Busy (active HIGH)
12	PERROR		Paper End (active HIGH)
13	SELECT_L		Select (active ???)
14	AFXN_L		Auto Line Feed (active LOW)
15	ERROR_L		Error (active LOW)
16	RESET_L		Initialize Printer (prime active LOW)
17	IN_L		Select Input (active LOW)
18	GND		Ground
19	GND		Ground
20	GND		Ground
21	GND		Ground

TABLE 4-1 Parallel Connector Pinout (*Continued*)

Pin	Signal Name	I/O	Service
22	GND		Ground
23	GND		Ground
24	GND		Ground
25	GND		Ground

Serial Connectors

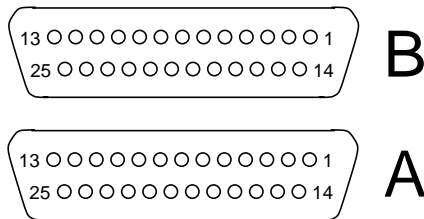


FIGURE 4-3 DB-25 Serial Connectors

TABLE 4-2 Serial Connector Pinout, RS423/RS232

Pin	Function	I/O	Signal Description
1	none	none	Not connected
2	TxD	O	Transmit Data
3	RxD	I	Receive Data
4	RTS	O	Ready To Send
5	CTS	I	Clear To Send
6	DSR	I	Data Set Ready
7	Gnd		Signal Ground
8	DCD	I	Data Carrier Detect
9-14	none	none	Not connected
15	TRxC	I	Transmit Clock
16	none	none	Not connected
17	RTxC	I	Receive Clock

TABLE 4-2 Serial Connector Pinout, RS423/RS232 (Continued)

Pin	Function	I/O	Signal Description
18-19	none	none	Not connected
20	DTR	O	Data Terminal Ready
21-23	none	none	Not connected
24	TxC	O	Transmit Clock
25	none	none	Not connected

Note: For information about serial port jumpers on the Netra t 1400/1405 system main logic board, see the *Netra t 1400/1405 System Reference Manual*.

Twisted-Pair Ethernet (TPE) Connector



FIGURE 4-4 RJ45 TPE Socket

TABLE 4-3 TPE Connector Pinout

Pin	Description	Pin	Description
1	Transmit Data +	5	Common Mode Termination
2	Transmit Data -	6	Receive Data -
3	Receive Data +	7	Common Mode Termination
4	Common Mode Termination	8	Common Mode Termination

TPE Cable-Type Connectivity

The following types of twisted-pair Ethernet cable can be connected to the 8-pin TPE connector:

- For 10BASE-T applications, shielded twisted-pair (STP) cable:
 - Category 3 (STP-3, *voice grade*)
 - Category 4 (STP-4)
 - Category 5 (STP-5, *data grade*)
- For 100BASE-T applications, shielded twisted-pair category 5 (STP-5, *data grade*) cable.

TABLE 4-4 TPE STP-5 Cable Lengths

Cable Type	Application(s)	Max Length (Metric)	Max Length (Imperial)
Shielded twisted pair category 5 (STP-5, <i>data grade</i>)	10BASE-T	1000 m	3282 ft
Shielded twisted pair category 5 (STP-5, <i>data grade</i>)	100BASE-T	100 m	327 ft

SCSI Connector

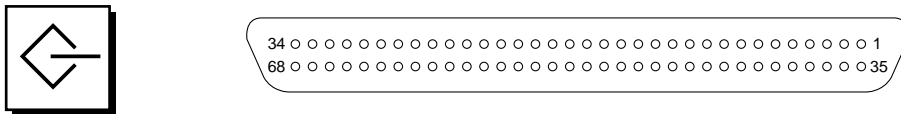


FIGURE 4-5 68-Pin SCSI Connector

TABLE 4-5 68-Pin SCSI Connector Pinout

Pin	Signal Name	Pin	Signal Name
1	GND	21	GND
2	GND	22	GND
3	GND	23	GND
4	GND	24	GND
5	GND	25	GND
6	GND	26	GND
7	GND	27	GND
8	GND	28	GND
9	GND	29	GND
10	GND	30	GND
11	GND	31	GND
12	GND	32	GND
13	GND	33	GND
14	GND	34	GND

TABLE 4-5 68-Pin SCSI Connector Pinout (Continued)

Pin	Signal Name	Pin	Signal Name
15	GND	35	-DB<12>
16	GND	36	-DB<13>
17	TERMPWR	37	-DB<14>
18	TERMPWR	38	-DB<15>
19	Not connected	39	-PAR<1>
20	GND	40	-DB<0>
41	-DB<1>	55	-ATN
42	-DB<2>	56	GND
43	-DB<3>	57	-BSY
44	-DB<4>	58	-ACK
45	-DB<5>	59	-RST
46	-DB<6>	60	-MSG
47	-DB<7>	61	-SEL
48	-PAR<0>	62	-CD
49	GND	63	-REQ
50	TERM.DIS	64	-IO
51	TERMPWR	65	-DB<8>
52	TERMPWR	66	-DB<9>
53	Reserved	67	-DB<10>
54	GND	68	-DB<11>

Note – All signals shown in TABLE 4-5 on page 32 are active low.

SCSI Implementation

- SCSI-3 Fast-20 (UltraSCSI) parallel interface
- 16-bit SCSI bus
- 40Mbps data transfer rate
- Support for 16 SCSI addresses:
 - Target 0 to 6 and 8 to F for devices
 - Target 7 reserved for SCSI host adapter on main logic board

- Support for up to seven internal SCSI devices (including the host adapter):
 - Fast-20 SCSI disk drive target 0 (left-most drive slot)
 - Fast-20 SCSI disk drive target 1
 - Fast-20 SCSI disk drive target 2
 - Fast-20 SCSI disk drive target 3 (right-most drive slot)
 - Fast-10 SCSI removable media device target 4
 - Fast-10 SCSI removable media device target 6
- Support for external 8-bit and 16-bit SCSI devices via 68-pin SCSI connector mounted on an adapter board

SCSI Cabling and Configuration

The SCSI-3 Fast-20 (UltraSCSI) specification requires that the external SCSI bus length be limited to 3m (10ft) for less than five devices (internal and external), and 1.5m (5ft) for five to eight devices. When SCSI-3 and SCSI-2 devices are connected to the Netra t 1400/1405 system SCSI bus, the system enables each device to operate at its respective data transfer rate. The last external SCSI device in a daisy-chain must be terminated internally (active termination) or with an external terminator according to Forced-Perfect Termination (FPT) technology.

SCSI Cabling Procedure

1. **Count the number of SCSI devices on the system SCSI bus. Be sure to count the host adapter as a SCSI device.**
2. **Determine the total SCSI bus length.**

TABLE 4-6 Determining SCSI Bus Length

SCSI Implementation	Bus Width	Data Transfer Rate, Mb/s	Number of Devices	SCSI Bus Length
SCSI-2, Fast	8 bits	10	1-8	6.0m
SCSI-2, Fast/Wide	16 bits	20	1-8	6.0m
SCSI-3 Parallel Interface, Fast-20 Wide (UltraSCSI) (WideUltra)	16 bits	40	1-4	3.0m
SCSI-3 Parallel Interface, Fast-20 Wide (UltraSCSI) (WideUltra)	16 bits	40	5-8*	1.5m

* The maximum number of single-ended/differential SCSI devices is 16.

3. Verify the cable type used to connect external SCSI devices. You must use Fast-20 SCSI cable(s).

Ensure that the total SCSI cable length does not exceed the permissible total SCSI bus length.

SCSI-2 (Fast Wide SCSI) External Devices

If you connect SCSI-2 (Fast Wide SCSI, 20Mbyte data transfer rate) external devices to a Netra t 1400/1405 system, follow these cabling and configuration guidelines (as shown in FIGURE 4-6) to ensure proper device addressing and operation:

- If all external mass storage devices use 68-pin connectors, connect all non-Sun devices to the Netra t 1400/1405 system first and follow them with Sun devices. Sun devices use auto-termination.
- If external mass storage devices consist of 68-pin Sun devices and 50-pin devices, connect the Sun 68-pin devices to the Netra t 1400/1405 system first and terminate the daisy chain with the 50-pin device and its terminator.
- The total SCSI bus length for all external SCSI devices is 6.0m (19.7ft).

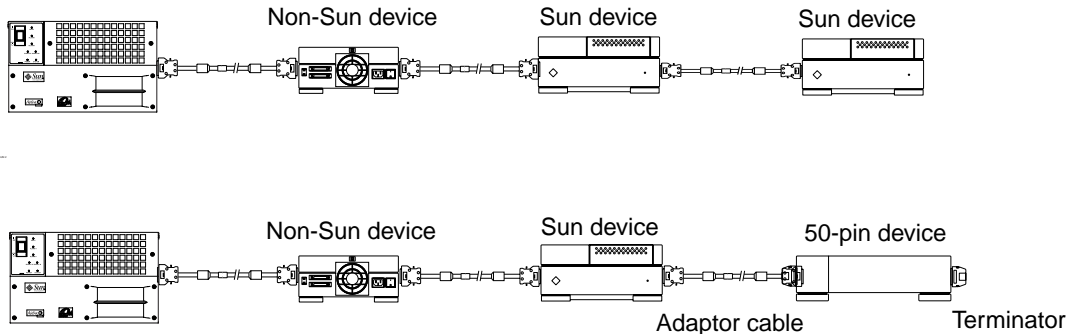


FIGURE 4-6 Connecting External Mass Storage Devices

Alarms Ports

The alarms service port connector is located on the alarms card. This connector is a male DB-15 and TABLE 4-7 lists each connector pin assignment.

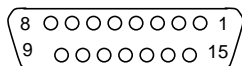


FIGURE 4-7 DB-15 (Male) Alarms Service Port Connector

TABLE 4-7 Alarms Service Port Connector Pinout

Pin	Signal Name	Pin	Signal Name
1	Not connected	9	ALARM1_NC
2	Not connected	10	ALARM1_COM
3	Not connected	11	ALARM2_NO
4	Not connected	12	ALARM2_NC
5	ALARM3_NO	13	ALARM2_COM
6	ALARM3_NC	14	Not connected
7	ALARM3_COM	15	Not connected
8	ALARM1_NO	Shell	CHGND

The remote Lights Out Management serial port is located below the alarms port. The connector is a shielded RJ45 and TABLE 4-8 lists the connector pin assignments.

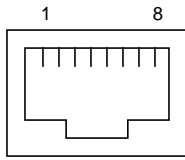


FIGURE 4-8 RJ45 Lights Out Management Serial Connector

TABLE 4-8 Lights Out Management Serial Connector Pinout

Pin	Signal Name	Pin	Signal Name
1	RTS	5	REF (0V)
2	DTR	6	RXD
3	TXD	7	DSR
4	REF (0V)	8	CTS
Shell	CHGND		

Installing the Alarms Software

This chapter describes the procedure for installing a Netra t 1400/1405 LOMlite alarms software release. In order to do this you should be familiar with the Solaris operating environment. Procedures for local and network installation are provided.

The release software consists of a CD-ROM containing the following packages:

SUNWlomm, SUNWlomr, SUNWlomu

SUNWtsvts, SUNWtsvtx

Local Installation

To perform a local installation, your Netra t 1400/1405 must be equipped with a CD-ROM drive.

▼ Installation Procedure

1. **Log on as root.**
2. **Insert the Lights Out Management release CD-ROM in the drive.**
3. **Add the packages to the system:**

```
% pkgadd -d /cdrom/cdrom0/Product SUNWlom*
```

4. **Verify that the packages have been installed successfully.**

```
% pkgchk -v SUNWlom[m|r|u]
```

▼ Network Installation Procedure

To perform a network installation, your server must be equipped with a CD-ROM drive.

▼ Installation Procedure

1. Log on to the server as root.
2. Insert the Lights Out Management release CD-ROM in the drive.
3. Create a directory in `/export`.

For example:

```
% mkdir /export/lom_software
```

Note – The directory `/export` should be visible to the machines on the network.

4. Copy the contents of the Lights Out Management CD-ROM into the new directory.

For example:

```
% cp -r /cdrom/cdrom0/* /export/lom_software
```

5. On the client, mount the `lom_software` directory on a suitable directory:

```
% mount -F nfs -o ro <server name>:/export/lom_software /mnt
```

6. Add the packages to the system:

```
% pkgadd -d /mnt/Product SUNWlom*
```

7. Verify that the packages have been installed successfully:

```
% pkgchk -v SUNWlom[m|r|u]
```

SunVTS Software

Note – You must install the SunVTS software, SUNWvts and SUNWvtstk, before installing the Netra t 1400/1405 vts files. For 64-bit support, you must also install the SUNWvtsx and SUNWvtstx packages.

▼ Installation Procedure

1. **Install the SunVTS software according to the instructions given in the appropriate *SunVTS User's Guide*.**
2. **Log on as root.**
3. **Insert the Lights Out Management CD-ROM in the drive.**
4. **Add the packages to the system:**

```
% pkgadd -d /cdrom/cdrom0/Product SUNWtsvts
```

5. **If 64-bit support is required add the additional packages:**

```
% pkgadd -d /cdrom/cdrom0/Product SUNWtsvtx
```

6. **Verify that the packages have been installed successfully:**

```
% pkgchk -v SUNWtsvt[s|x]
```

